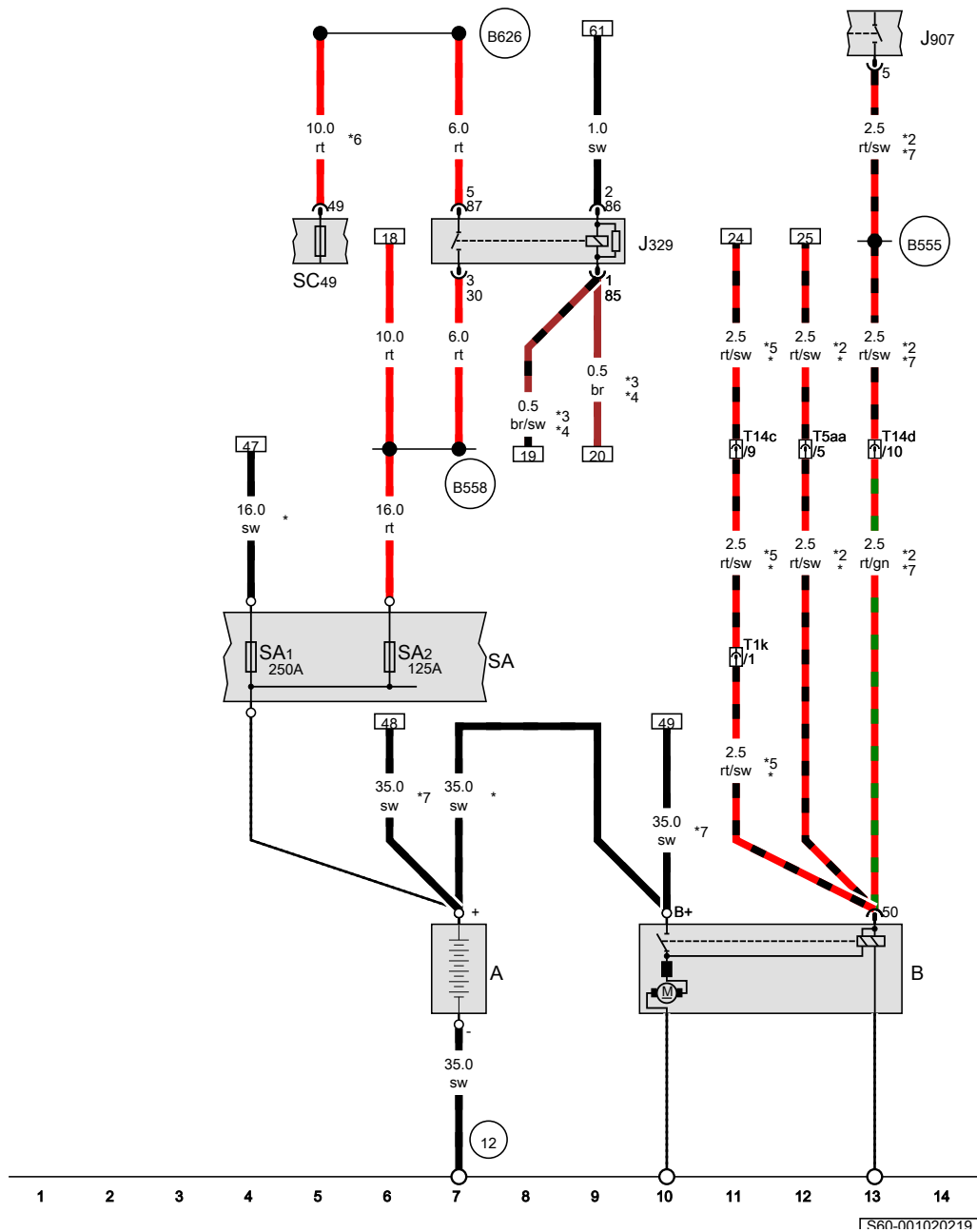


Basic equipment

From June 2016

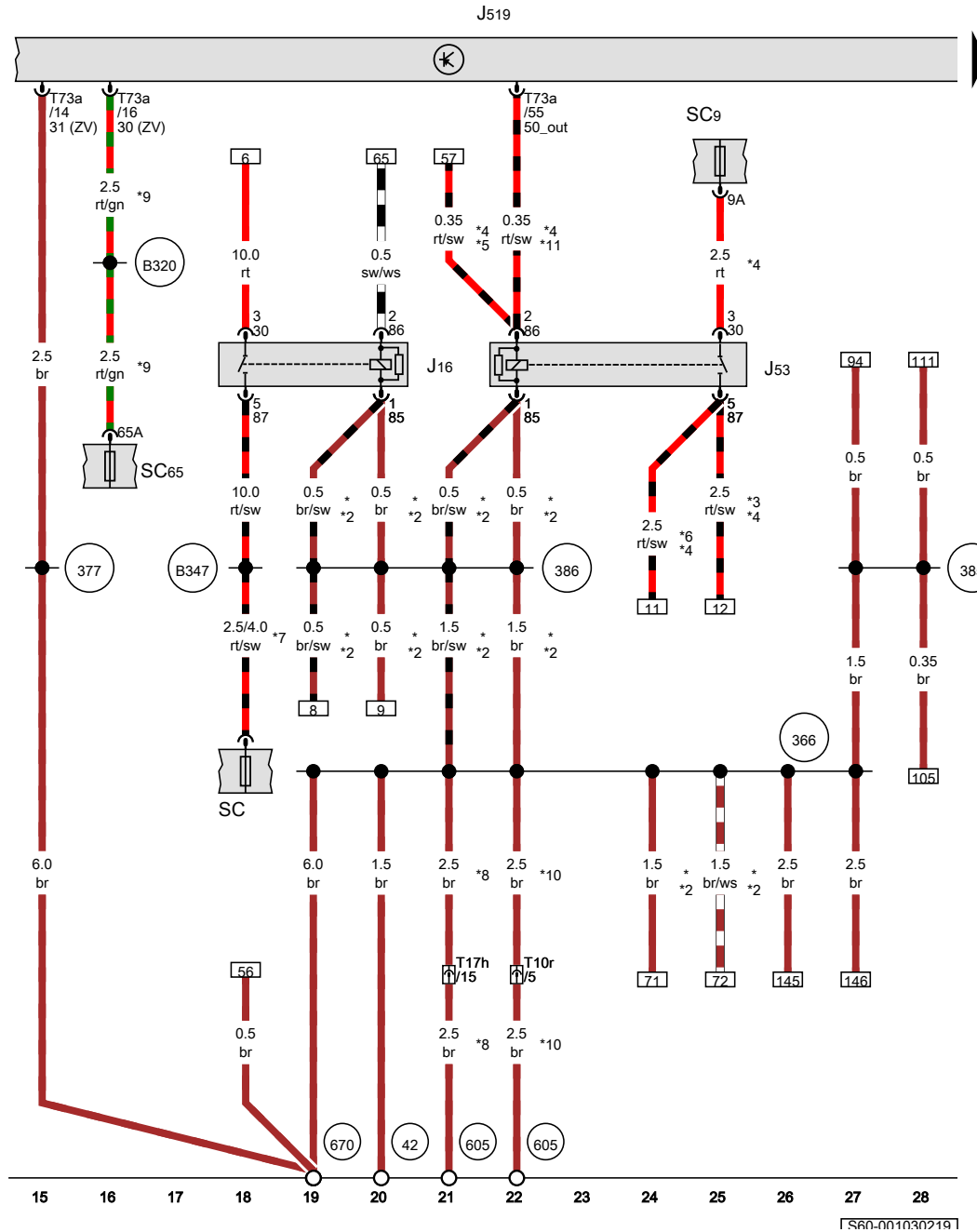
Battery, Starter, Terminal 15 voltage supply relay, Fuse holder A



- A Battery
- B Starter
- J329 Terminal 15 voltage supply relay
- J907 Starter relay 2
- SA Fuse holder A
- SA1 Fuse 1 on fuse holder A
- SA2 Fuse 2 on fuse holder A
- SC49 Fuse 49 on fuse holder C
- T1k 1-pin connector, black, near starter
- T5aa 5-pin connector, black, near battery
- T14c 14-pin connector, grey, near battery
- T14d 14-pin connector, black, near battery

- 12 Earth point, on left in engine compartment
- B555 Positive connection 2 (50), in main wiring harness
- B558 Positive connection 22 (30a) in main wiring harness
- B626 Positive connection 2 (15), in main wiring harness
- * For models with 2.0l engine
- *2 For models with diesel engine
- *3 Wiring colour depends on equipment
- *4 see applicable current flow diagram for earthing concept
- *5 For models with petrol engine
- *6 see applicable current flow diagram for fuse assignment
- *7 For models with 3.0l engine

- ws = white
- sw = black
- ro = red
- rt = red
- br = brown
- gn = green
- bl = blue
- li = purple
- vi = purple
- ge = yellow
- or = orange
- rs = pink



Current supply relay, Starter motor relay

- J16 Current supply relay
- J53 Starter motor relay
- J519 Onboard supply control unit
- SC Fuse holder C
- SC9 Fuse 9 on fuse holder C
- SC65 Fuse 65 on fuse holder C
- T10r 10-pin connector, blue, behind dash panel
- T17h 17-pin connector, blue, behind dash panel
- T73a 73-pin connector, black

- 42 Earth point, next to steering column
- 366 Earth connection 1, in main wiring harness
- 377 Earth connection 12, in main wiring harness
- 385 Earth connection 20, in main wiring harness
- 386 Earth connection 21, in main wiring harness
- 605 Earth point, on top end of steering column
- 670 Earth point 2, left A-pillar
- B320 Positive connection 6 (30a) in main wiring harness
- B347 Connection 2 (75), in main wiring harness

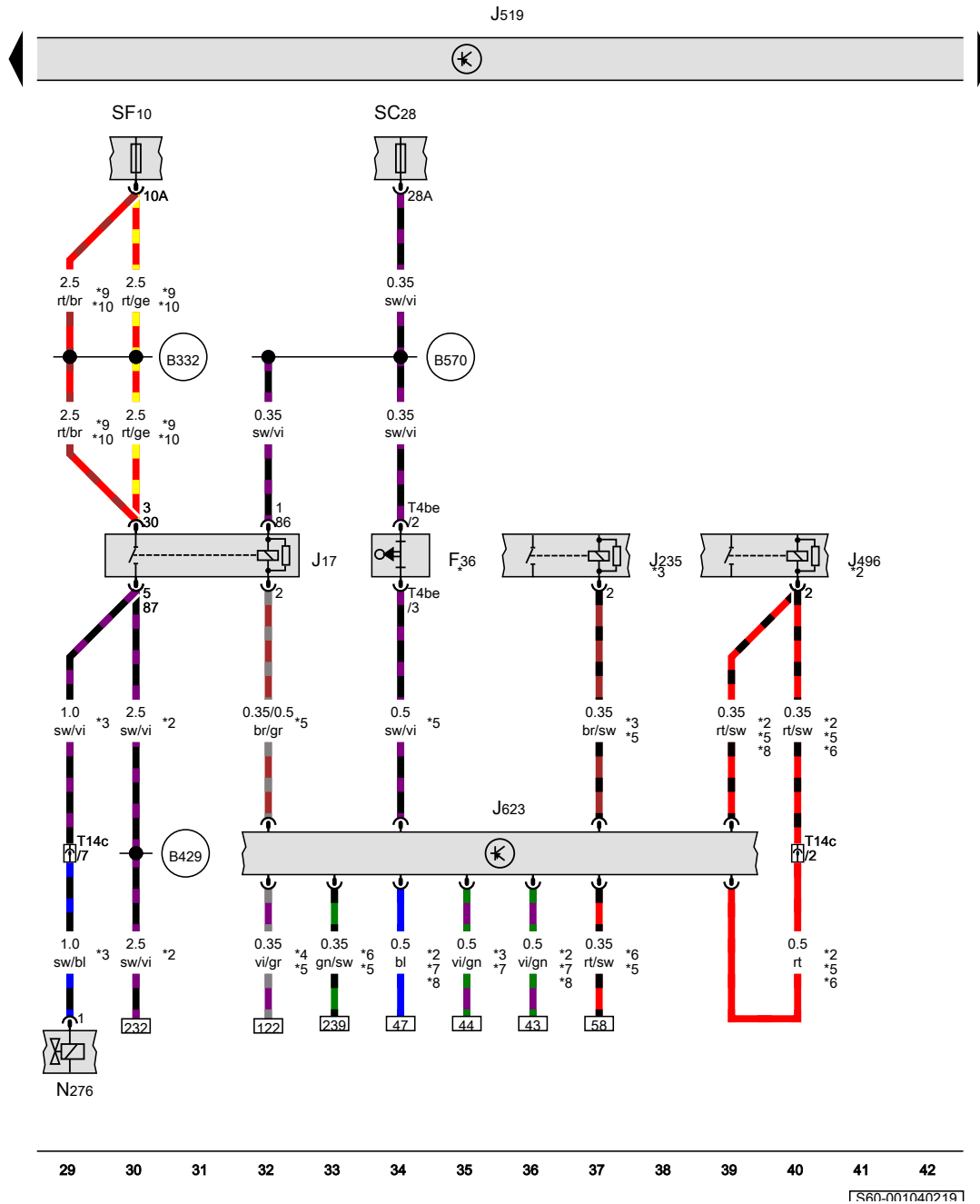
- * Wiring colour depends on equipment
- *2 see applicable current flow diagram for earthing concept
- *3 For models with diesel engine
- *4 For models with 2.0l engine
- *5 For models with manual gearbox
- *6 For models with petrol engine
- *7 see applicable current flow diagram for fuse assignment
- *8 For left-hand drive models
- *9 For models with central locking
- *10 For right-hand drive models
- *11 For models with automatic gearbox

- ws = white
- sw = black
- ro = red
- rt = red
- br = brown
- gn = green
- bl = blue
- gr = grey
- li = purple
- vi = purple
- ge = yellow
- or = orange
- rs = pink

Volkswagen Technical Site: <https://vwts.ru>

1S60-0010302191

Clutch pedal switch, Fuel pump relay, Coolant pump relay, Additional coolant pump relay, Engine/motor control unit

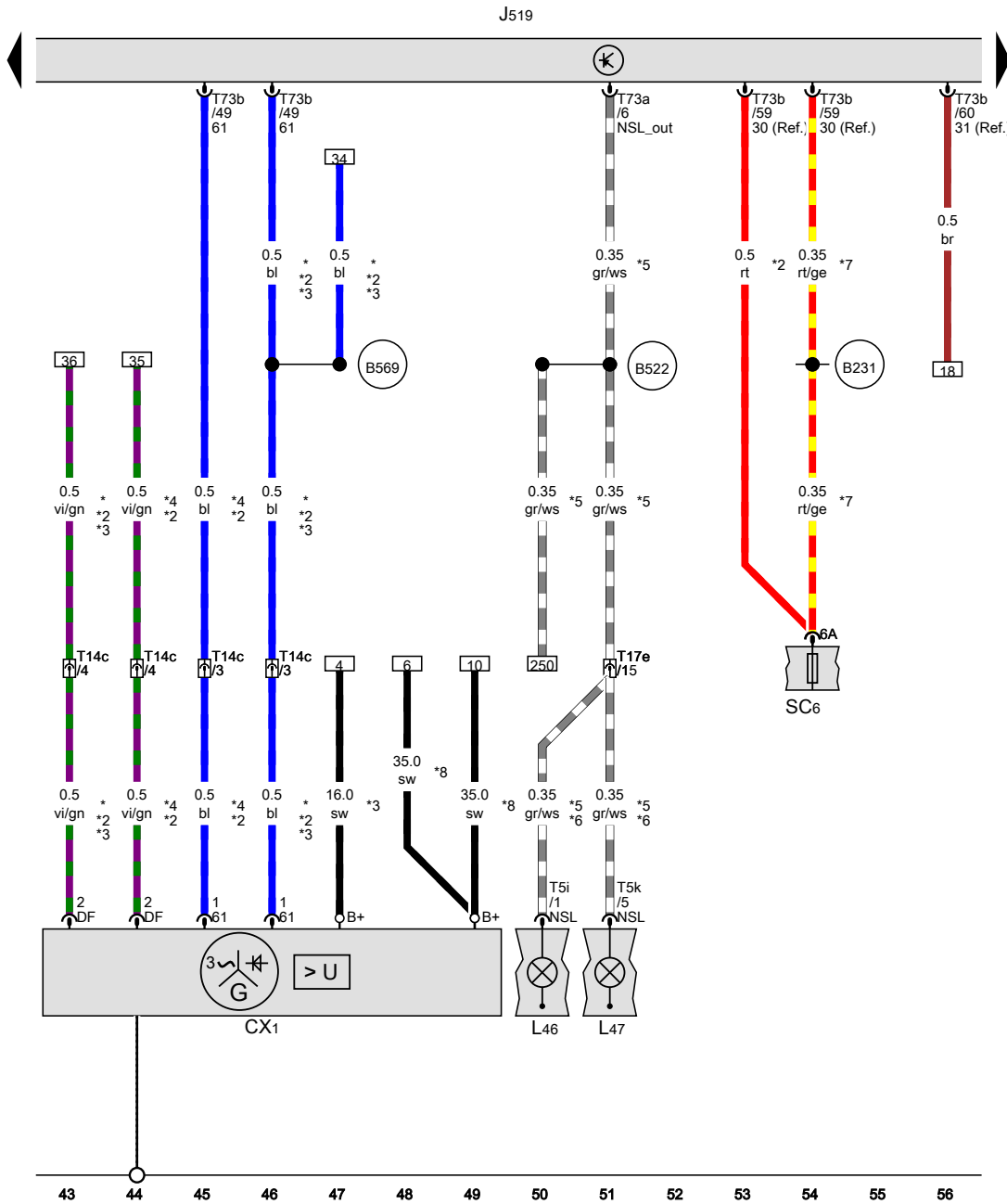


- F36 Clutch pedal switch
- J17 Fuel pump relay
- J235 Coolant pump relay
- J496 Additional coolant pump relay
- J519 Onboard supply control unit
- J623 Engine/motor control unit
- N276 Fuel pressure regulating valve
- SF10 Fuse 10 in fuse holder F
- SC28 Fuse 28 on fuse holder C
- T4be 4-pin connector, black
- T14c 14-pin connector, grey, near battery
- B332 Positive connection 18 (30a) in main wiring harness
- B429 Connection (EFPR), in main wiring harness
- B570 Connection 37, in main wiring harness
- * For models with manual gearbox
- *2 For models with diesel engine
- *3 For models with petrol engine
- *4 For models with cruise control system (CCS)
- *5 see applicable current flow diagram for engine
- *6 For models with 3.0l engine
- *7 For models with no start/stop system
- *8 For models with 2.0l engine
- *9 Wiring colour depends on equipment
- *10 see applicable current flow diagram for fuse assignment

- ws = white
- sw = black
- ro = red
- rt = red
- br = brown
- gn = green
- bl = blue
- gr = grey
- li = purple
- vi = purple
- ge = yellow
- or = orange
- rs = pink

1600-0010402191

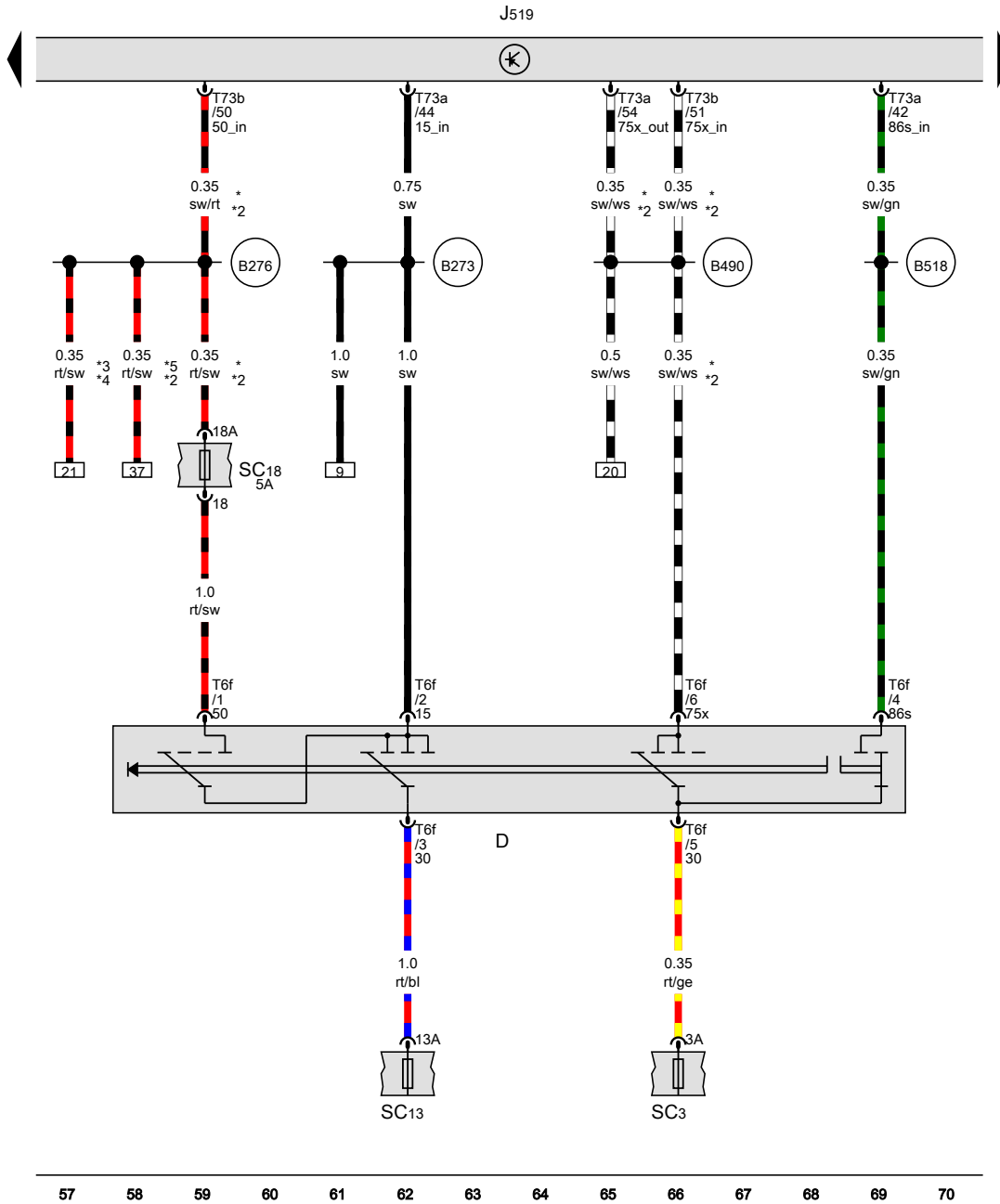
Alternator with voltage regulator, Fuse 6 on fuse holder C



- CX1 Alternator with voltage regulator
- J519 Onboard supply control unit
- L46 Rear left fog light bulb
- L47 Rear right fog light bulb
- SC6 Fuse 6 on fuse holder C
- T5i 5-pin connector, black
- T5k 5-pin connector, black
- T14c 14-pin connector, grey, near battery
- T17e 17-pin connector, red, near handbrake lever
- T73a 73-pin connector, black
- T73b 73-pin connector, colourless
- (B231) Positive connection 5 (30a), in interior wiring harness
- (B522) Connection (FL), in main wiring harness
- (B569) Connection 36, in main wiring harness
- * For models with diesel engine
- *2 For models with no start/stop system
- *3 For models with 2.0l engine
- *4 For models with petrol engine
- *5 For models with rear fog light
- *6 see applicable current flow diagram for exterior lighting
- *7 For models with start/stop system
- *8 For models with 3.0l engine

- ws = white
- sw = black
- ro = red
- rt = red
- br = brown
- gn = green
- bl = blue
- gr = grey
- li = purple
- vi = purple
- ge = yellow
- or = orange
- rs = pink

[S60-001050219]



Ignition/starter switch, Fuse 3 on fuse holder C, Fuse 13 on fuse holder C

- D Ignition/starter switch
- J519 Onboard supply control unit
- SC3 Fuse 3 on fuse holder C
- SC13 Fuse 13 on fuse holder C
- SC18 Fuse 18 on fuse holder C
- T6f 6-pin connector, black
- T73a 73-pin connector, black
- T73b 73-pin connector, colourless

- B273 Positive connection (15), in main wiring harness
- B276 Positive connection (50), in main wiring harness
- B490 Connection 26, in main wiring harness
- B518 Connection (86s), in main wiring harness

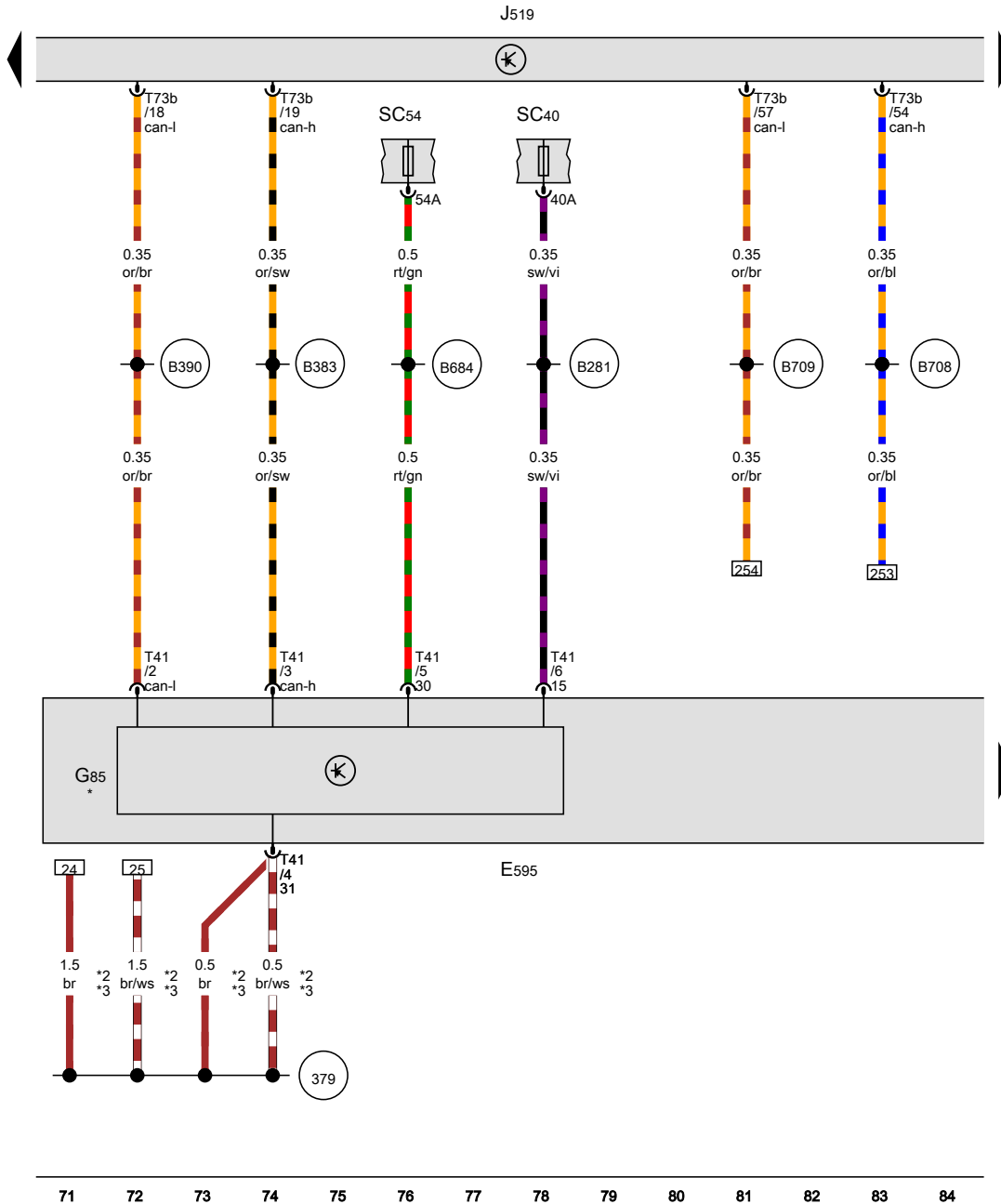
- * According to equipment see applicable current flow diagram for engine
- *2 For models with 2.0l engine
- *3 For models with manual gearbox
- *4 For models with 3.0l engine
- *5 For models with 3.0l engine

- ws = white
- sw = black
- ro = red
- rt = red
- br = brown
- gn = green
- bl = blue
- gr = grey
- li = purple
- vi = purple
- ge = yellow
- or = orange
- rs = pink

57 58 59 60 61 62 63 64 65 66 67 68 69 70

[S60-001060219]

Steering column combination switch, Steering angle sender

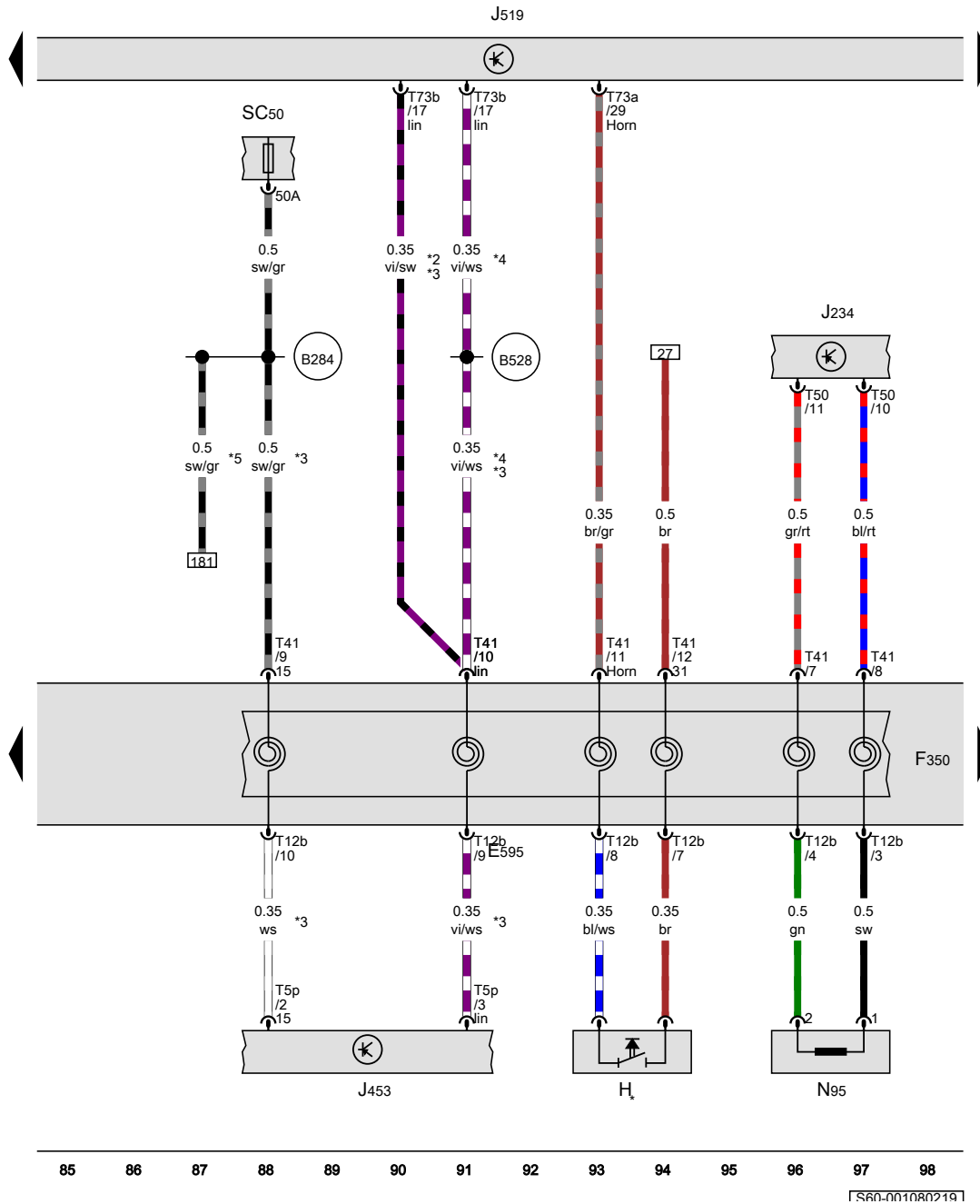


- E595 Steering column combination switch
- G85 Steering angle sender
- J519 Onboard supply control unit
- SC40 Fuse 40 on fuse holder C
- SC54 Fuse 54 on fuse holder C
- T41 41-pin connector, grey
- T73b 73-pin connector, colourless

- (379) Earth connection 14, in main wiring harness
- (B281) Positive connection 5 (15a) in main wiring harness
- (B383) Connection 1 (powertrain CAN bus, high), in main wiring harness
- (B390) Connection 1 (powertrain CAN bus, low), in main wiring harness
- (B684) Positive connection 24 (30a) in main wiring harness
- (B708) Connection 1 (dash panel insert CAN bus high) in main wiring harness
- (B709) Connection 1 (dash panel insert CAN bus low) in main wiring harness

- * For models with anti-lock brake system (ABS) and electronic stabilisation program (ESP)
- *2 Wiring colour depends on equipment
- *3 see applicable current flow diagram for earthing concept

- ws = white
- sw = black
- ro = red
- rt = red
- br = brown
- gn = green
- bl = blue
- gr = grey
- li = purple
- vi = purple
- ge = yellow
- or = orange
- rs = pink



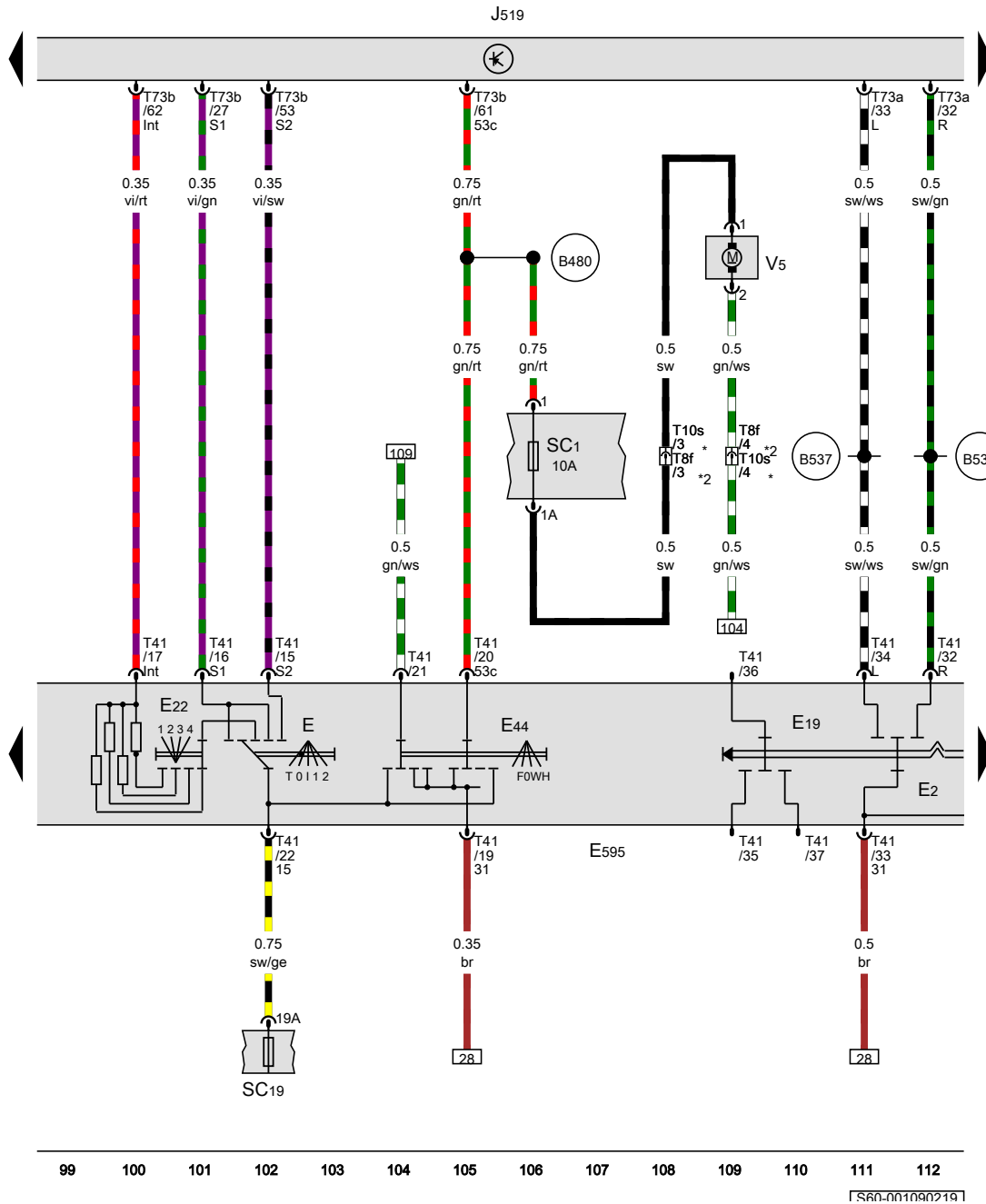
Steering column combination switch, Coil connector, Horn plate, Airbag control unit, Multifunction steering wheel control unit

- E595 Steering column combination switch
- F350 Coil connector, on steering wheel
- H Horn plate
- J234 Airbag control unit
- J453 Multifunction steering wheel control unit
- J519 Onboard supply control unit
- N95 Airbag igniter on driver side
- SC50 Fuse 50 on fuse holder C
- T5p 5-pin connector, black
- T12b 12-pin connector, yellow
- T41 41-pin connector, grey
- T50 50-pin connector, yellow
- T73a 73-pin connector, black
- T73b 73-pin connector, colourless

(B284) Positive connection 8 (15a) in main wiring harness

(B528) Connection 1 (LIN bus) in main wiring harness

- * For models with no multifunction steering wheel
- *2 For models with no electric window regulators
- *3 For models with multifunction steering wheel
- *4 For models with electric window regulators
- *5 For models with manual gearbox

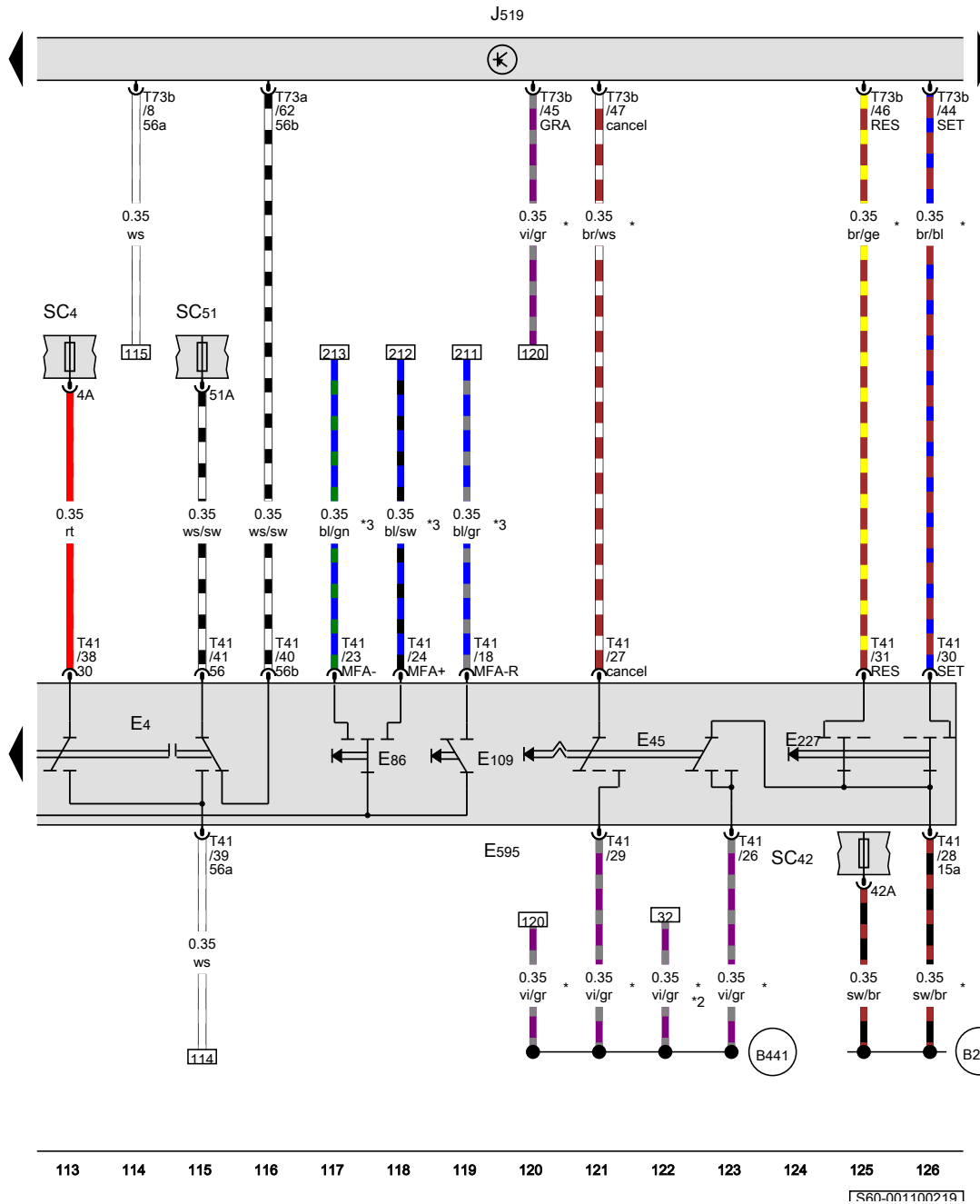


Windscreen wiper switch, Turn signal switch, Washer pump switch (automatic wash/wipe and headlight washer system), Steering column combination switch, Washer pump

- E Windscreen wiper switch
 - E2 Turn signal switch
 - E19 Parking light switch
 - E22 Intermittent wiper switch
 - E44 Washer pump switch (automatic wash/wipe and headlight washer system)
 - E595 Steering column combination switch
 - J519 Onboard supply control unit
 - SC1 Fuse 1 on fuse holder C
 - SC19 Fuse 19 on fuse holder C
 - T8f 8-pin connector, black, in rear right of engine compartment
 - T10s 10-pin connector, black, in rear right of engine compartment
 - T41 41-pin connector, grey
 - T73a 73-pin connector, black
 - T73b 73-pin connector, colourless
 - V5 Washer pump
- B480 Connection 16, in main wiring harness
B537 Connection 28, in main wiring harness
B538 Connection 29, in main wiring harness
- * For models with provision for side member lighting
 *2 For models with no provision for side member lighting

- ws = white
- sw = black
- ro = red
- rt = red
- br = brown
- gn = green
- bl = blue
- gr = grey
- li = purple
- vi = purple
- ge = yellow
- or = orange
- rs = pink

Headlight dipper and flasher switch, Cruise control system switch, Multifunction display call-up button, Multifunction display memory switch, Steering column combination switch

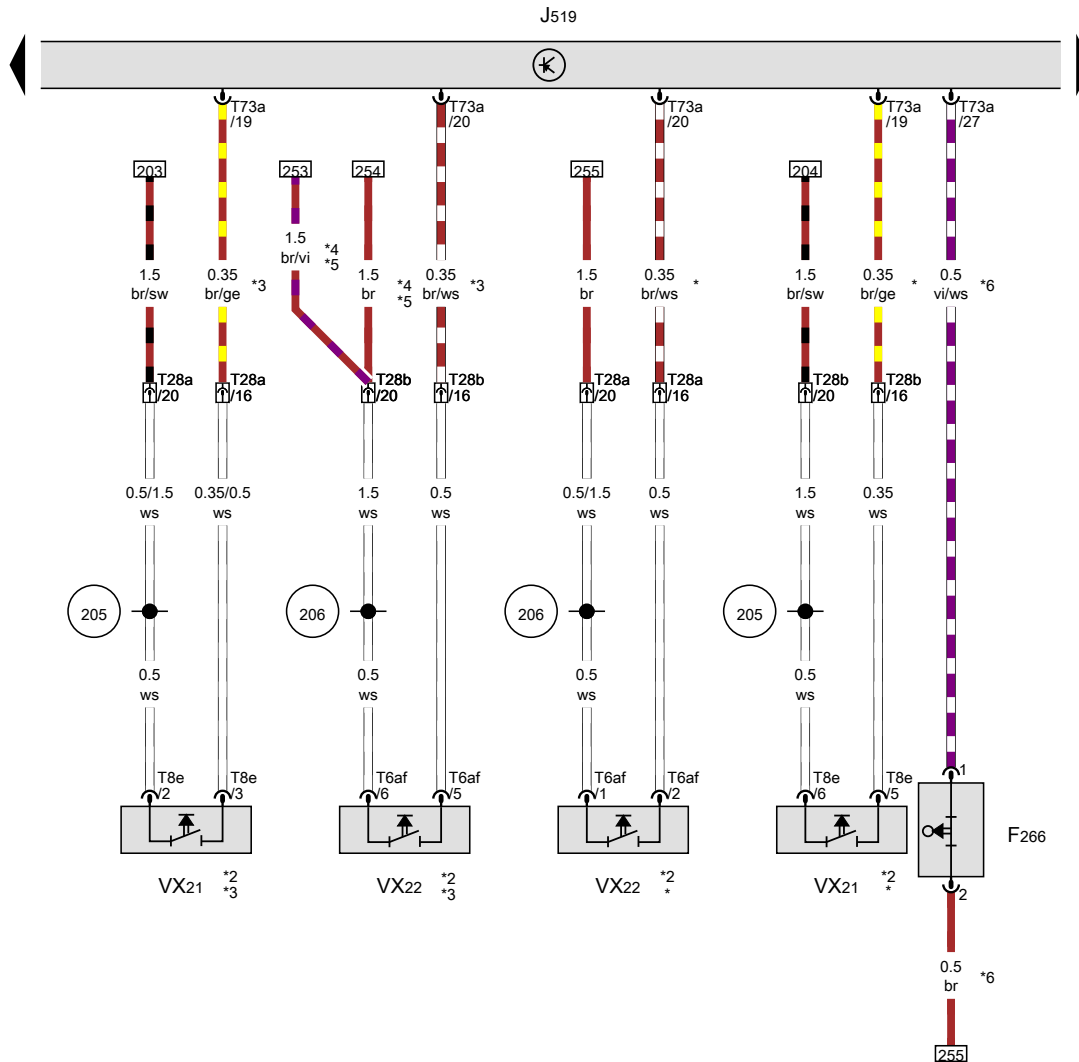


- E4 Headlight dipper and flasher switch
- E45 Cruise control system switch
- E86 Multifunction display call-up button
- E109 Multifunction display memory switch
- E227 Cruise control system (CCS) SET button
- E595 Steering column combination switch
- J519 Onboard supply control unit
- SC4 Fuse 4 on fuse holder C
- SC42 Fuse 42 on fuse holder C
- SC51 Fuse 51 on fuse holder C
- T41 41-pin connector, grey
- T73a 73-pin connector, black
- T73b 73-pin connector, colourless
- (B283) Positive connection 7 (15a) in main wiring harness
- (B441) Connection (CCS), in main wiring harness
- * For models with cruise control system (CCS)
- *2 see applicable current flow diagram for engine
- *3 For models with multifunction display

- ws = white
- sw = black
- ro = red
- rt = red
- br = brown
- gn = green
- bl = blue
- gr = grey
- li = purple
- vi = purple
- ge = yellow
- or = orange
- rs = pink

1S60-001100219

Bonnet contact switch, Front passenger door lock unit

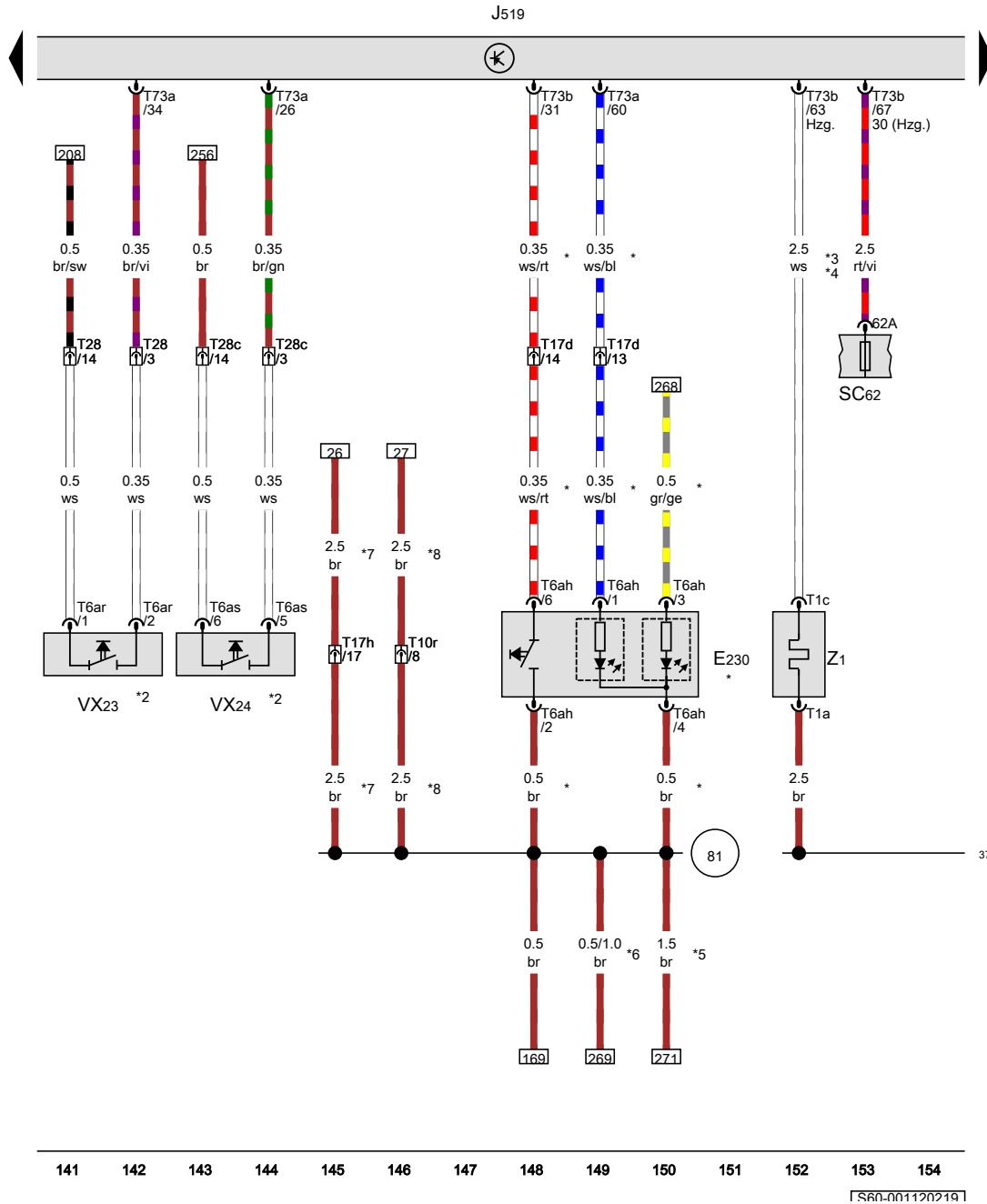


- F266 Bonnet contact switch
- J519 Onboard supply control unit
- T6af 6-pin connector, black
- T8e 8-pin connector, black
- T28a 28-pin connector, black, on left A-pillar
- T28b 28-pin connector, black, on right A-pillar
- T73a 73-pin connector, black
- VX21 Driver door lock unit
- VX22 Front passenger door lock unit

- 205 Earth connection, in driver door wiring harness
- 206 Earth connection, in front passenger door wiring harness

- * For right-hand drive models
- *2 For models with no central locking
- *3 For left-hand drive models
- *4 Wiring colour depends on equipment
- *5 see applicable current flow diagram for earthing concept
- *6 According to equipment

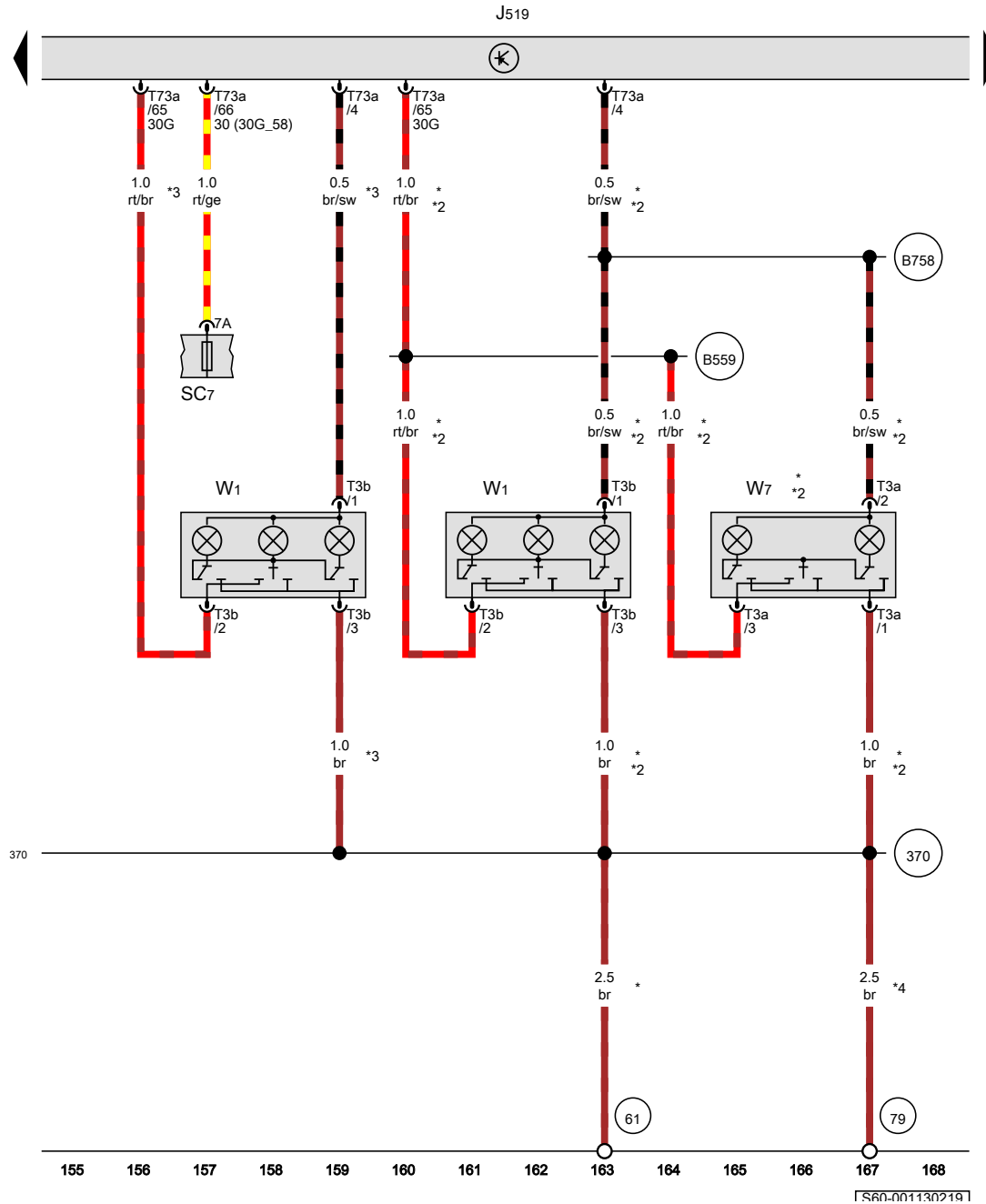
- ws = white
- sw = black
- ro = red
- rt = red
- br = brown
- gn = green
- bl = blue
- gr = grey
- li = purple
- vi = purple
- ge = yellow
- or = orange
- rs = pink



Heated rear window button, Rear left door lock unit, Rear right door lock unit, Heated rear window

- E230 Heated rear window button
 - J519 Onboard supply control unit
 - SC62 Fuse 62 on fuse holder C
 - T1a 1-pin connector, black
 - T1c 1-pin connector, black
 - T6ah 6-pin connector, near radio
 - T6ar 6-pin connector, black
 - T6as 6-pin connector, black
 - T10r 10-pin connector, blue, behind dash panel
 - T17d 17-pin connector, green, behind dash panel
 - T17h 17-pin connector, blue, behind dash panel
 - T28 28-pin connector, black, on left B-pillar
 - T28c 28-pin connector, black, on right B-pillar
 - T73a 73-pin connector, black
 - T73b 73-pin connector, colourless
 - VX23 Rear left door lock unit
 - VX24 Rear right door lock unit
 - Z1 Heated rear window
- (81) Earth connection 1, in dash panel wiring harness
- (370) Earth connection 5, in main wiring harness
- * For models with no air conditioning system/Climatronic
 - *2 For models with no central locking
 - *3 For models with no hardtop
 - *4 see applicable current flow diagram for hardtop
 - *5 For models with 12 V socket
 - *6 For models with Highline equipment
 - *7 For left-hand drive models
 - *8 For right-hand drive models

- ws = white
- sw = black
- ro = red
- rt = red
- br = brown
- gn = green
- bl = blue
- gr = grey
- li = purple
- vi = purple
- ge = yellow
- or = orange
- rs = pink

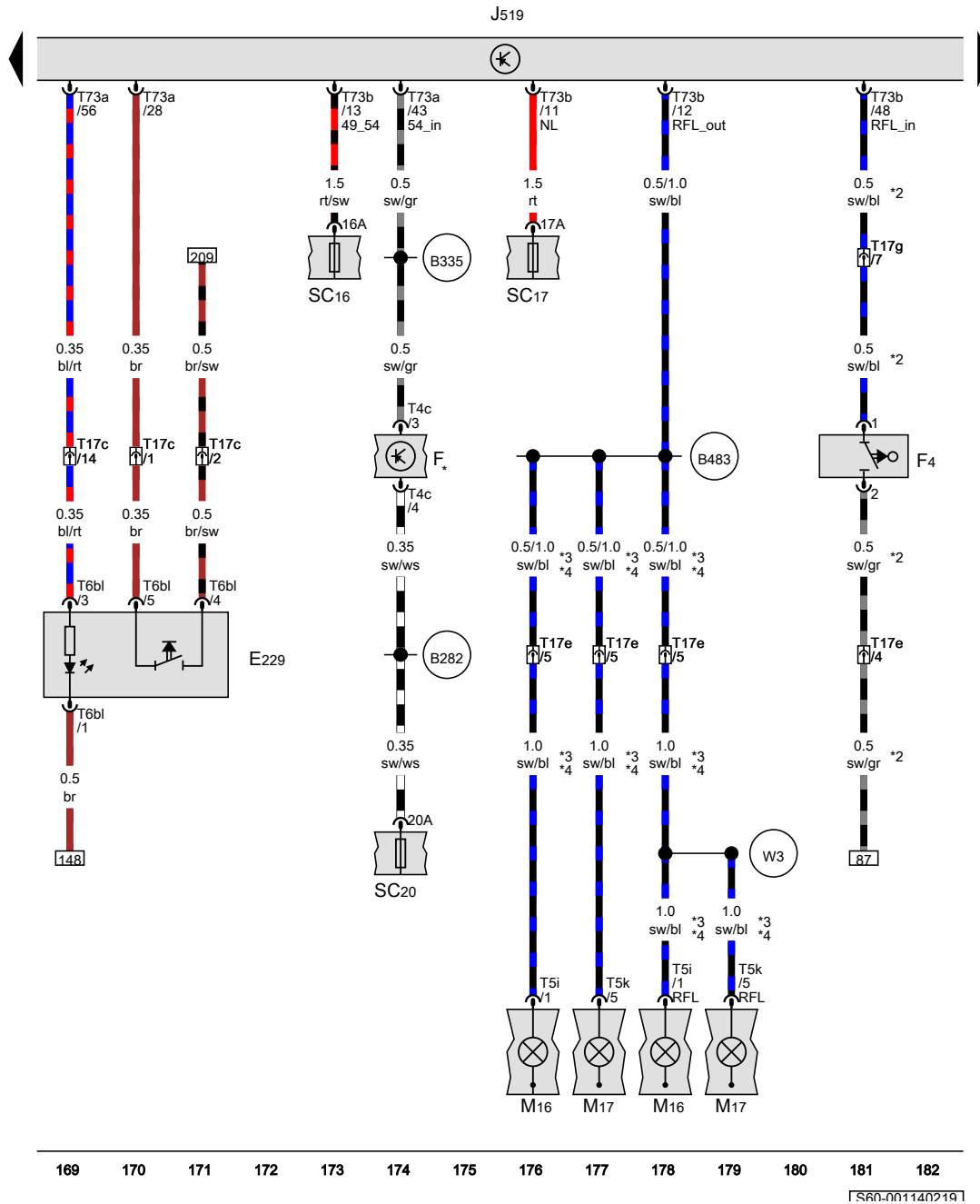


Front interior light, Centre interior light

- J519 Onboard supply control unit
- SC7 Fuse 7 on fuse holder C
- T3a 3-pin connector, black
- T3b 3-pin connector, black
- T73a 73-pin connector, black
- W1 Front interior light
- W7 Centre interior light
- 61 Earth point, left C-pillar
- 79 Earth point on left B-pillar
- 370 Earth connection 5, in main wiring harness
- B559 Positive connection 1 (30g), in main wiring harness
- B758 Connection 1 (Dct), in main wiring harness
- * For models with double cab
- *2 For models with Highline equipment
- *3 For models with basic equipment
- *4 For models with single cab

- ws = white
- sw = black
- ro = red
- rt = red
- br = brown
- gn = green
- bl = blue
- gr = grey
- li = purple
- vi = purple
- ge = yellow
- or = orange
- rs = pink

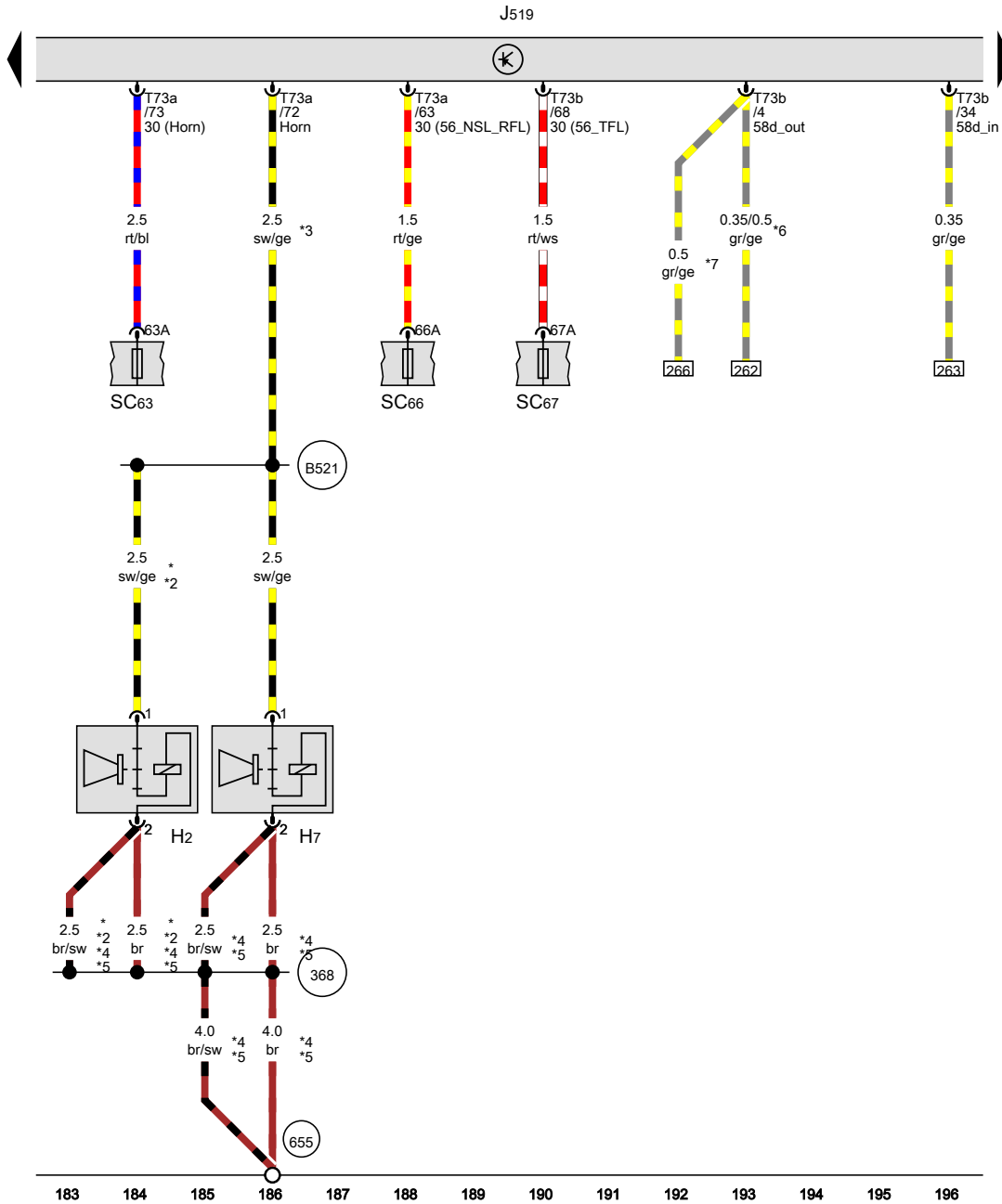
[S60-001130219]



Hazard warning lights button, Brake light switch, Reversing light switch




- E229 Hazard warning lights button
- F Brake light switch
- F4 Reversing light switch
- J519 Onboard supply control unit
- M16 Left reversing light bulb
- M17 Right reversing light bulb
- SC16 Fuse 16 on fuse holder C
- SC17 Fuse 17 on fuse holder C
- SC20 Fuse 20 on fuse holder C
- T4c 4-pin connector, black
- T5i 5-pin connector, black
- T5k 5-pin connector, black
- T6bl 6-pin connector, black, near radio
- T17c 17-pin connector, white, behind dash panel
- T17e 17-pin connector, red, near handbrake lever
- T17g 17-pin connector, black, near handbrake lever
- T73a 73-pin connector, black
- T73b 73-pin connector, colourless
- B282 Positive connection 6 (15a) in main wiring harness
- B335 Connection 1 (54), in main wiring harness
- B483 Connection 19, in main wiring harness
- W3 Connection in rear wiring harness
- * see applicable current flow diagram for engine
- *2 For models with manual gearbox
- *3 According to equipment
- *4 see applicable current flow diagram for exterior lighting

- ws = white
- sw = black
- ro = red
- rt = red
- br = brown
- gn = green
- bl = blue
- gr = grey
- li = purple
- vi = purple
- ge = yellow
- or = orange
- rs = pink



Treble horn

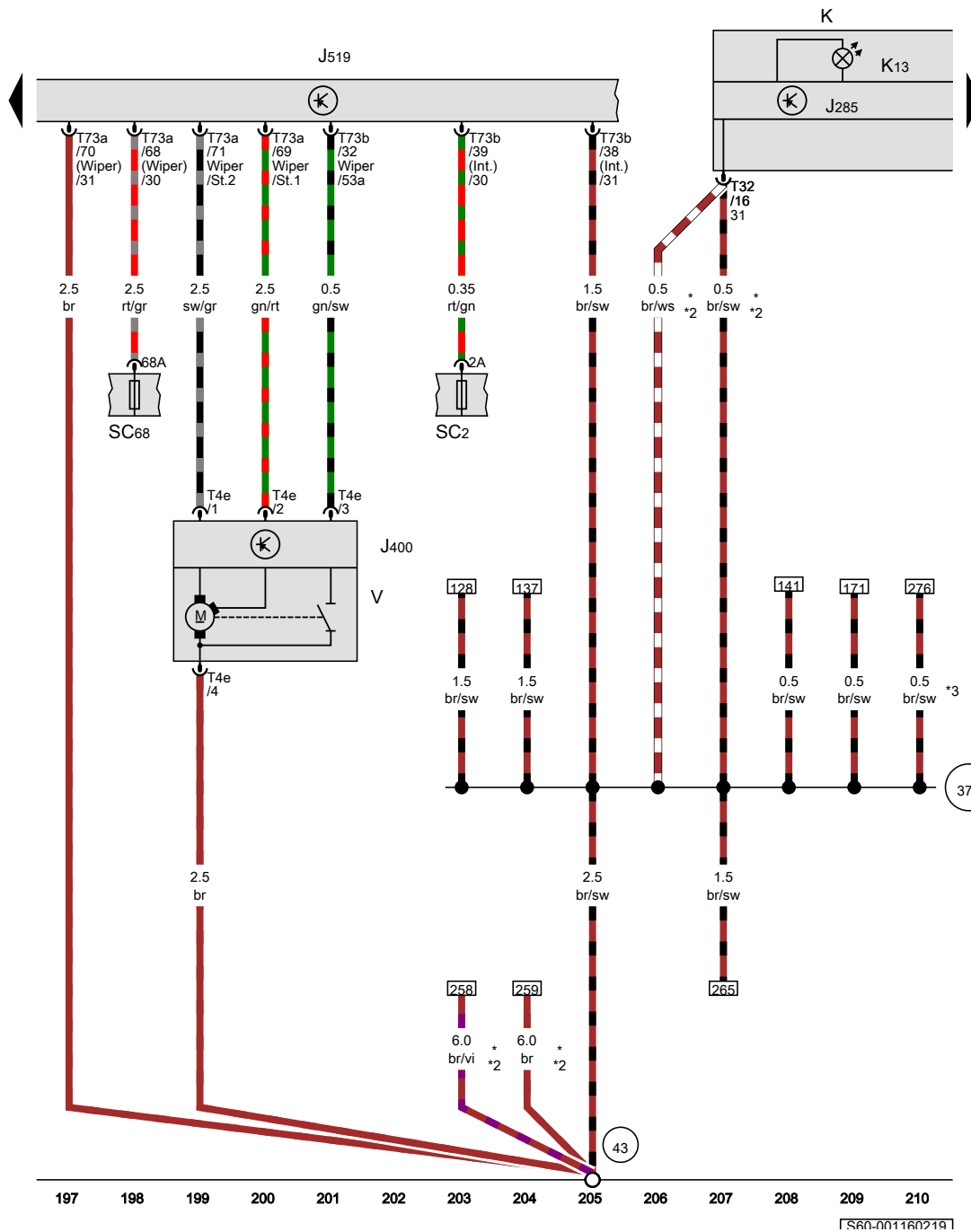
- H2 Treble horn
- H7 Bass horn
- J519 Onboard supply control unit
- SC63 Fuse 63 on fuse holder C
- SC66 Fuse 66 on fuse holder C
- SC67 Fuse 67 on fuse holder C
- T73a 73-pin connector, black
- T73b 73-pin connector, colourless

-  Earth connection 3, in main wiring harness
-  Earth point, on left headlight
-  Connection (dual tone horn), in main wiring harness

- * For models with Highline equipment
- *2 For models with Trendline equipment
- *3 For models with no anti-theft alarm system
- *4 Wiring colour depends on equipment
- *5 see applicable current flow diagram for earthing concept
- *6 For models with no dimmable instrument illumination
- *7 For models with dimmable instrument illumination

- ws = white
- sw = black
- ro = red
- rt = red
- br = brown
- gn = green
- bl = blue
- gr = grey
- li = purple
- vi = purple
- ge = yellow
- or = orange
- rs = pink

[S60-001150219]



Dash panel insert, Windscreen wiper motor

- J285 Control unit in dash panel insert
- J400 Wiper motor control unit
- J519 Onboard supply control unit
- K Dash panel insert
- K13 Rear fog light warning lamp
- SC2 Fuse 2 on fuse holder C
- SC68 Fuse 68 on fuse holder C
- T4e 4-pin connector, black
- T32 32-pin connector, blue
- T73a 73-pin connector, black
- T73b 73-pin connector, colourless
- V Windscreen wiper motor

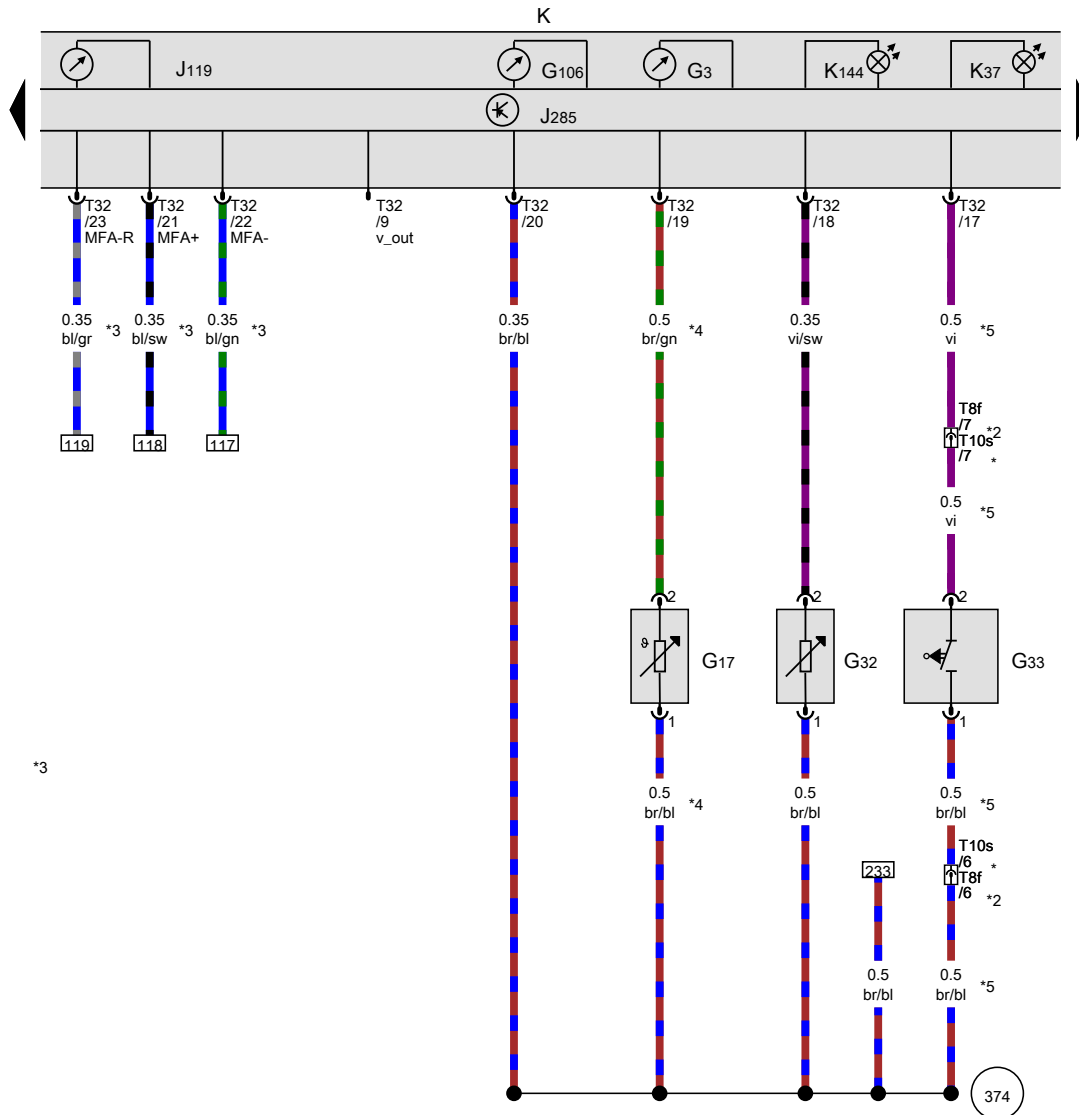
43 Earth point, lower part of right A-pillar

372 Earth connection 7, in main wiring harness

- * Wiring colour depends on equipment
- *2 see applicable current flow diagram for earthing concept
- *3 For models with heated washer jets

- ws = white
- sw = black
- ro = red
- rt = red
- br = brown
- gn = green
- bl = blue
- gr = grey
- li = purple
- vi = purple
- ge = yellow
- or = orange
- rs = pink

[S60-001160219]



Coolant temperature gauge, Ambient temperature sensor, Coolant shortage indicator sender, Windscreen washer fluid level sender, Ambient temperature indicator, Multifunction indicator, Dash panel insert, Washer fluid level warning lamp, Warning lamp for airbag deactivated on driver side

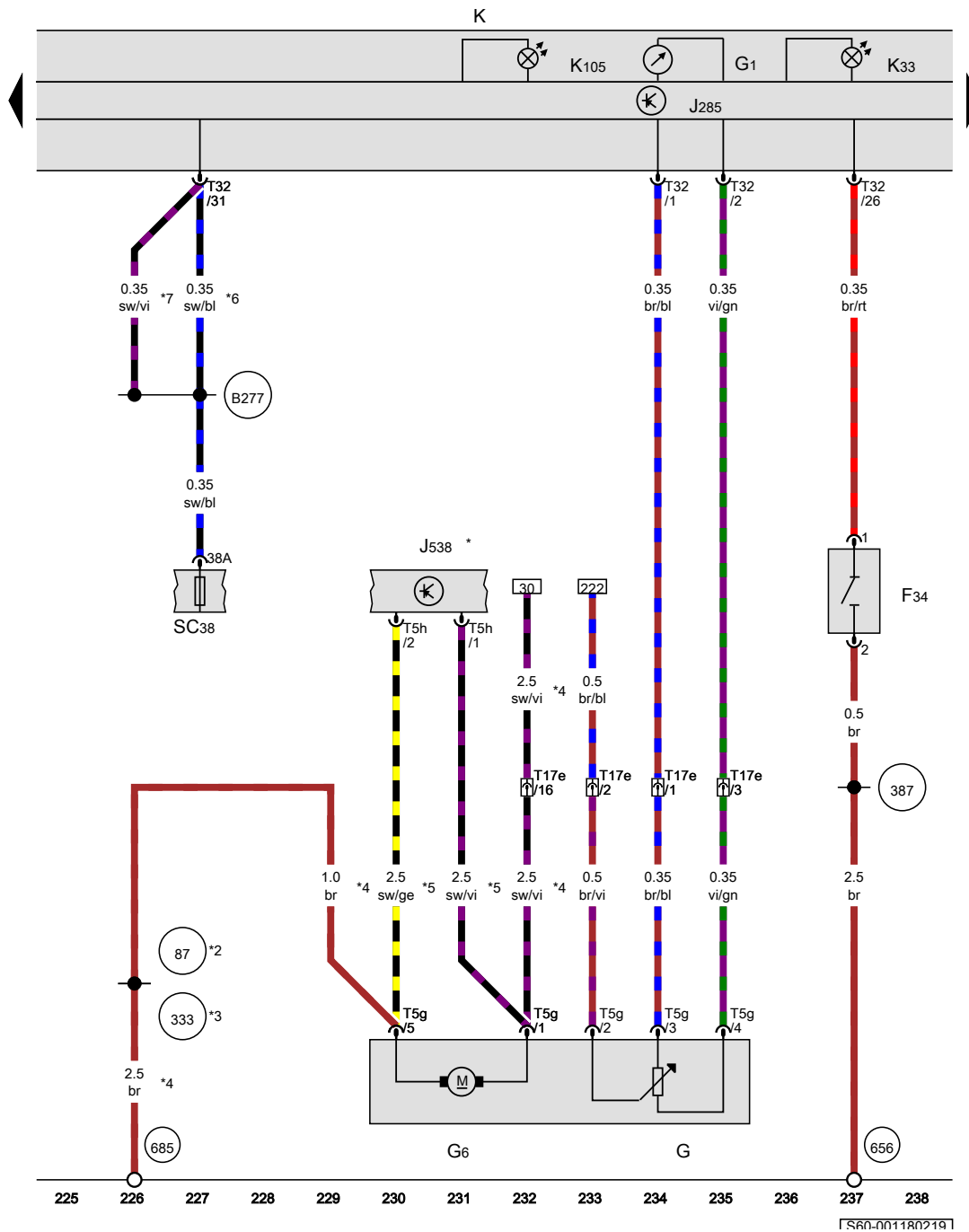
- G3 Coolant temperature gauge
- G17 Ambient temperature sensor
- G32 Coolant shortage indicator sender
- G33 Windscreen washer fluid level sender
- G106 Ambient temperature indicator
- J119 Multifunction indicator
- J285 Control unit in dash panel insert
- K Dash panel insert
- K37 Washer fluid level warning lamp
- K144 Warning lamp for airbag deactivated on driver side
- T8f 8-pin connector, black, in rear right of engine compartment
- T10s 10-pin connector, black, in rear right of engine compartment
- T32 32-pin connector, blue
- 374 Earth connection 9, in main wiring harness
- * For models with provision for side member lighting
- *2 For models with no provision for side member lighting
- *3 For models with multifunction display
- *4 According to equipment
- *5 For models with windscreen washer fluid level sender

- ws = white
- sw = black
- ro = red
- rt = red
- br = brown
- gn = green
- bl = blue
- gr = grey
- li = purple
- vi = purple
- ge = yellow
- or = orange
- rs = pink

*3

211 212 213 214 215 216 217 218 219 220 221 222 223 224

1S60-001170219



Brake fluid level warning contact, Fuel gauge, Fuel system pressurisation pump, Fuel pump control unit, Dash panel insert, Brake fluid level warning lamp, Reserve fuel warning lamp

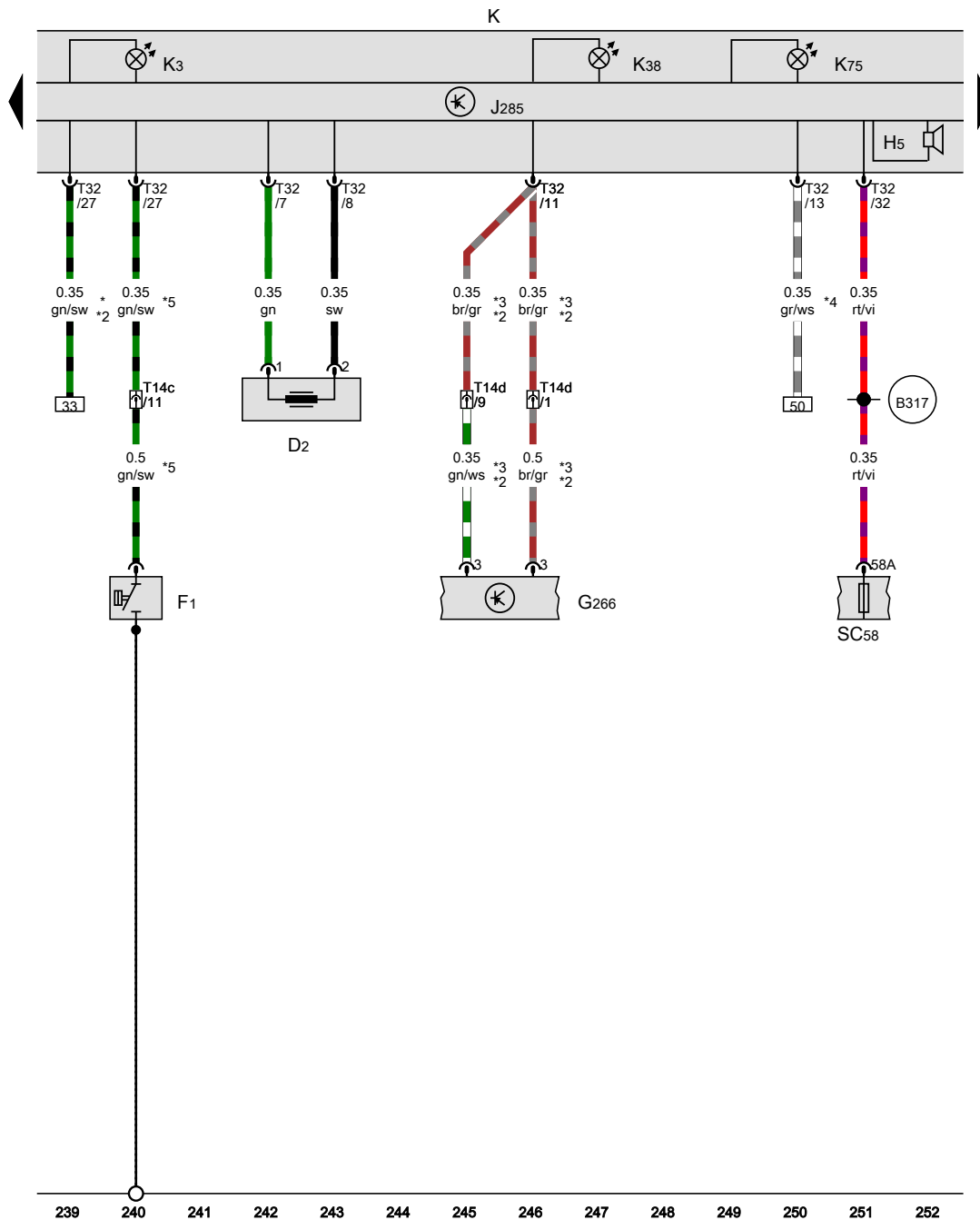
- F34 Brake fluid level warning contact
- G Fuel gauge sender
- G1 Fuel gauge
- G6 Fuel system pressurisation pump
- J285 Control unit in dash panel insert
- J538 Fuel pump control unit
- K Dash panel insert
- K33 Brake fluid level warning lamp
- K105 Reserve fuel warning lamp
- SC38 Fuse 38 on fuse holder C
- T5g 5-pin connector, black
- T5h 5-pin connector, black
- T17e 17-pin connector, red, near handbrake lever
- T32 32-pin connector, blue

- (87) Earth connection 2, in rear wiring harness
- (333) Earth connection 5, in rear wiring harness
- (387) Earth connection 22, in main wiring harness
- (656) Earth point, on right headlight, on right on bulkhead
- (685) Earth point 1, on front of right longitudinal member
- (B277) Positive connection 1 (15a) in main wiring harness

- * see applicable current flow diagram for engine
- *2 For models with 2.0l engine
- *3 For models with 3.0l engine
- *4 For models with diesel engine
- *5 For models with petrol engine
- *6 For left-hand drive models
- *7 For right-hand drive models

- ws = white
- sw = black
- ro = red
- rt = red
- br = brown
- gn = green
- bl = blue
- gr = grey
- li = purple
- vi = purple
- ge = yellow
- or = orange
- rs = pink

1560-0011802191

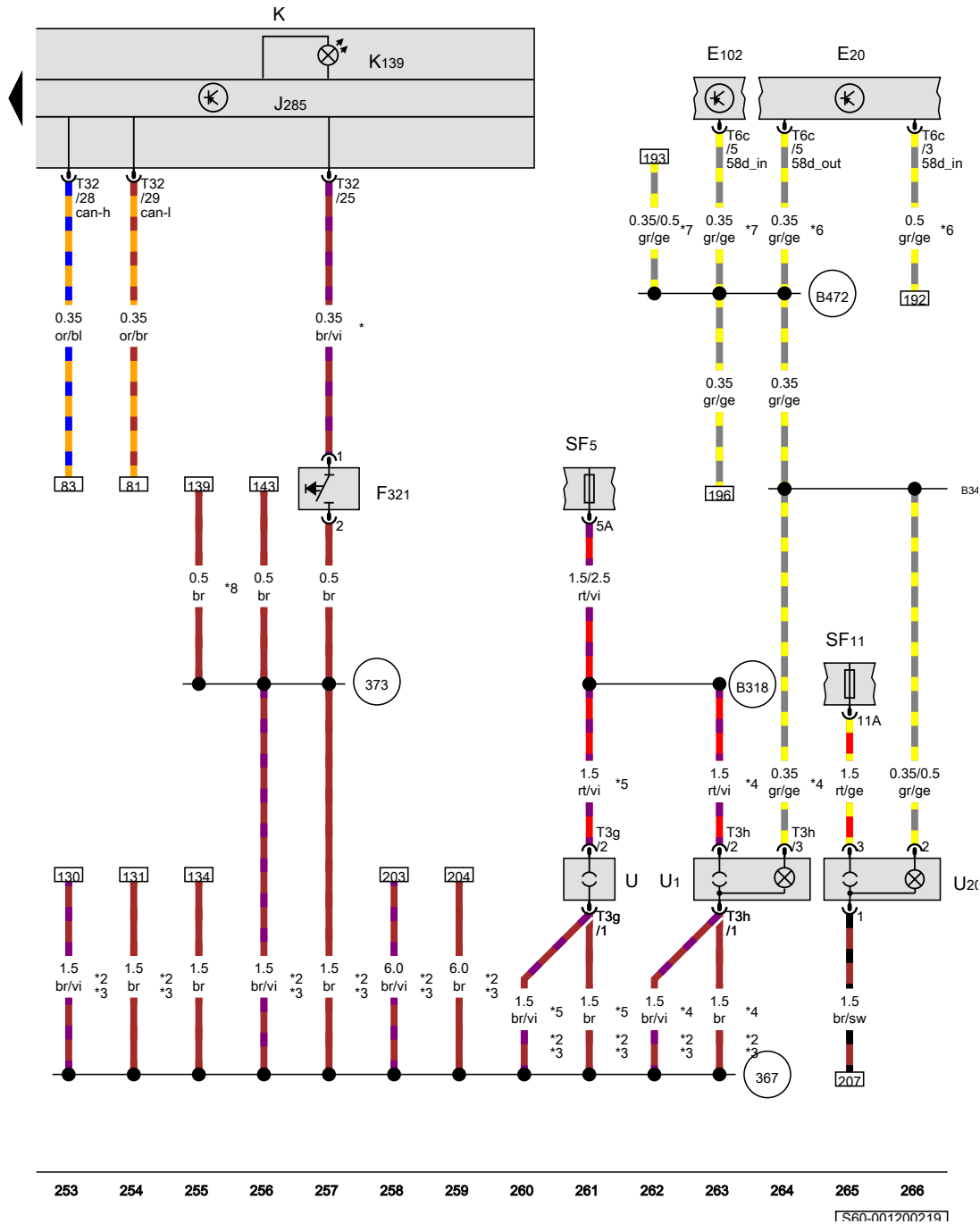


Immobiliser reader coil, Oil pressure switch, Oil level and oil temperature sender, Ignition and starter key warning system buzzer and gong, Dash panel insert, Oil pressure warning lamp, Oil level warning lamp

- D2 Immobiliser reader coil, on ignition/starter switch
- F1 Oil pressure switch
- G266 Oil level and oil temperature sender
- H5 Ignition and starter key warning system buzzer and gong
- J285 Control unit in dash panel insert
- K Dash panel insert
- K3 Oil pressure warning lamp
- K38 Oil level warning lamp
- K75 Airbag warning lamp
- SC58 Fuse 58 on fuse holder C
- T14c 14-pin connector, grey, near battery
- T14d 14-pin connector, black, near battery
- T32 32-pin connector, blue
- B317** Positive connection 3 (30a) in main wiring harness
- * For models with 3.0l engine
- *2 see applicable current flow diagram for engine
- *3 According to equipment
- *4 For models with rear fog light
- *5 For models with 2.0l engine

- ws = white
- sw = black
- ro = red
- rt = red
- br = brown
- gn = green
- bl = blue
- gr = grey
- li = purple
- vi = purple
- ge = yellow
- or = orange
- rs = pink

[S60-001190219]



- ws = white
- sw = black
- ro = red
- rt = red
- br = brown
- gn = green
- bl = blue
- gr = grey
- li = purple
- vi = purple
- ge = yellow
- or = orange
- rs = pink

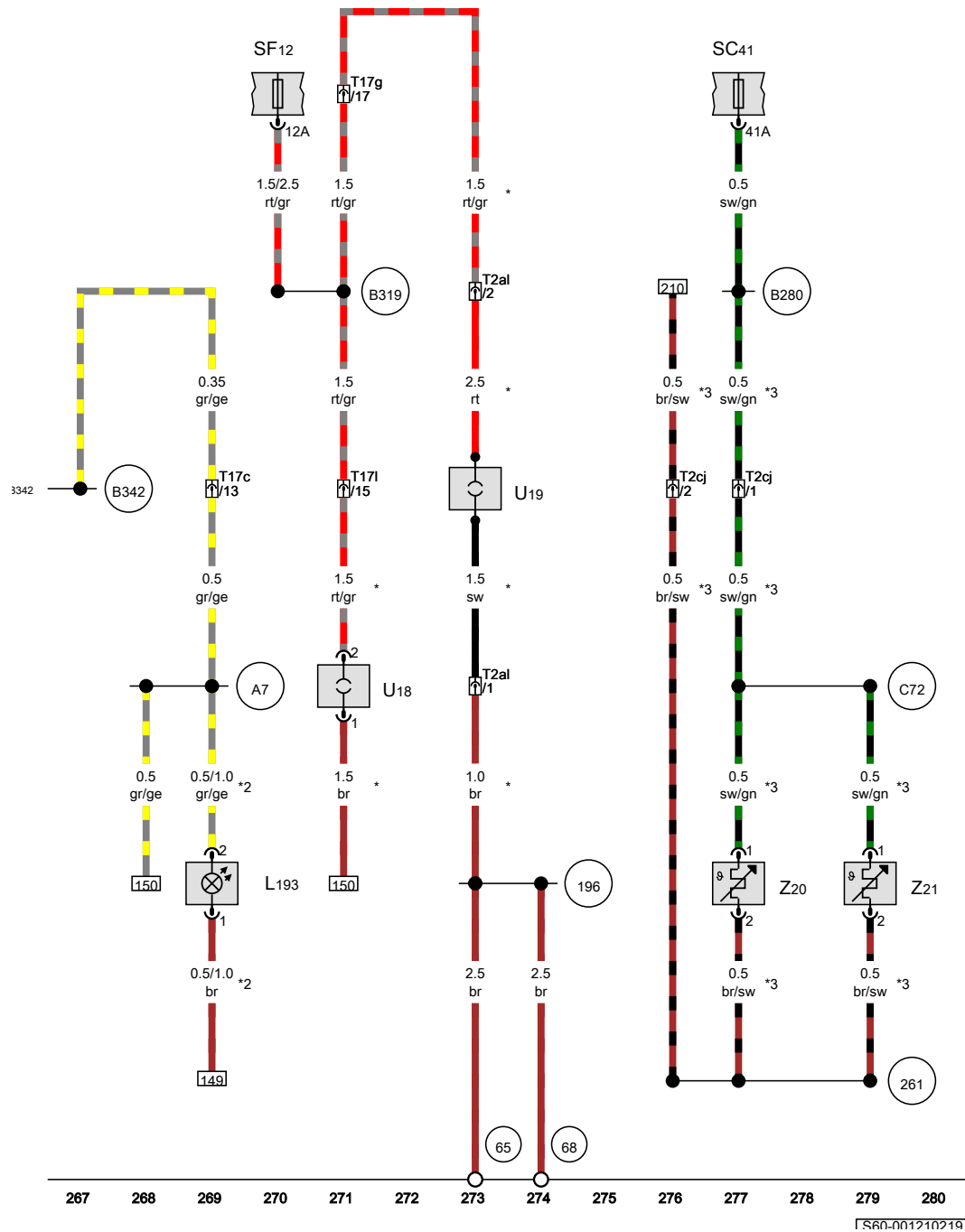
Switch and instrument illumination regulator, Parking brake contact switch, Dash panel insert, Electric socket, Cigarette lighter, 12 V socket 4

- E20 Switch and instrument illumination regulator
- E102 Headlight range control regulator
- F321 Parking brake contact switch
- J285 Control unit in dash panel insert
- K Dash panel insert
- K139 Handbrake warning lamp
- SF5 Fuse 5 in fuse holder F
- SF11 Fuse 11 in fuse holder F
- T3g 3-pin connector, transparent
- T3h 3-pin connector, transparent
- T6c 6-pin connector, black
- T32 32-pin connector, blue
- U Electric socket, on centre console switch module
- U1 Cigarette lighter, on centre console switch module
- U20 12 V socket 4, in rear centre console

- 367 Earth connection 2, in main wiring harness
- 373 Earth connection 8, in main wiring harness
- B318 Positive connection 4 (30a) in main wiring harness
- B342 Connection 3 (58d), in main wiring harness
- B472 Connection 8, in main wiring harness

- * For models with no electric interface
- *2 Wiring colour depends on equipment
- *3 see applicable current flow diagram for earthing concept
- *4 For smoker version models
- *5 For models with 12 V socket
- *6 For models with dimmable instrument illumination
- *7 For models with no dimmable instrument illumination
- *8 According to equipment

1560-001200219



Light 1 for front centre console background lighting, 12 V socket 2, Left washer jet heater element

- L193 Light 1 for front centre console background lighting, in centre console, under radio
- SF12 Fuse 12 in fuse holder F
- SC41 Fuse 41 on fuse holder C
- T2al 2-pin connector, black, Interface for rear left socket, on wheel housing
- T2cj 2-pin connector, black, near window wiper motor
- T17c 17-pin connector, white, behind dash panel
- T17g 17-pin connector, black, near handbrake lever
- T17i 17-pin connector, brown, behind dash panel
- U18 12 V socket 2, in centre of dash panel, in storage compartment
- U19 12 V socket 3, on left wheel housing
- Z20 Left washer jet heater element
- Z21 Right washer jet heater element

- 65 Earth point, on rear of left longitudinal member
- 68 Earth point, on left of rear cross member
- 196 Earth connection 3, in rear wiring harness
- 261 Earth connection, in heated washer jet wiring harness
- A7 Positive connection (58 D1), in dash panel wiring harness
- B280 Positive connection 4 (15a) in main wiring harness
- B319 Positive connection 5 (30a) in main wiring harness
- B342 Connection 3 (58d), in main wiring harness
- C72 Positive connection in heated washer jet wiring harness

- ws = white
- sw = black
- ro = red
- rt = red
- br = brown
- gn = green
- bl = blue
- gr = grey
- li = purple
- vi = purple
- ge = yellow
- or = orange
- rs = pink

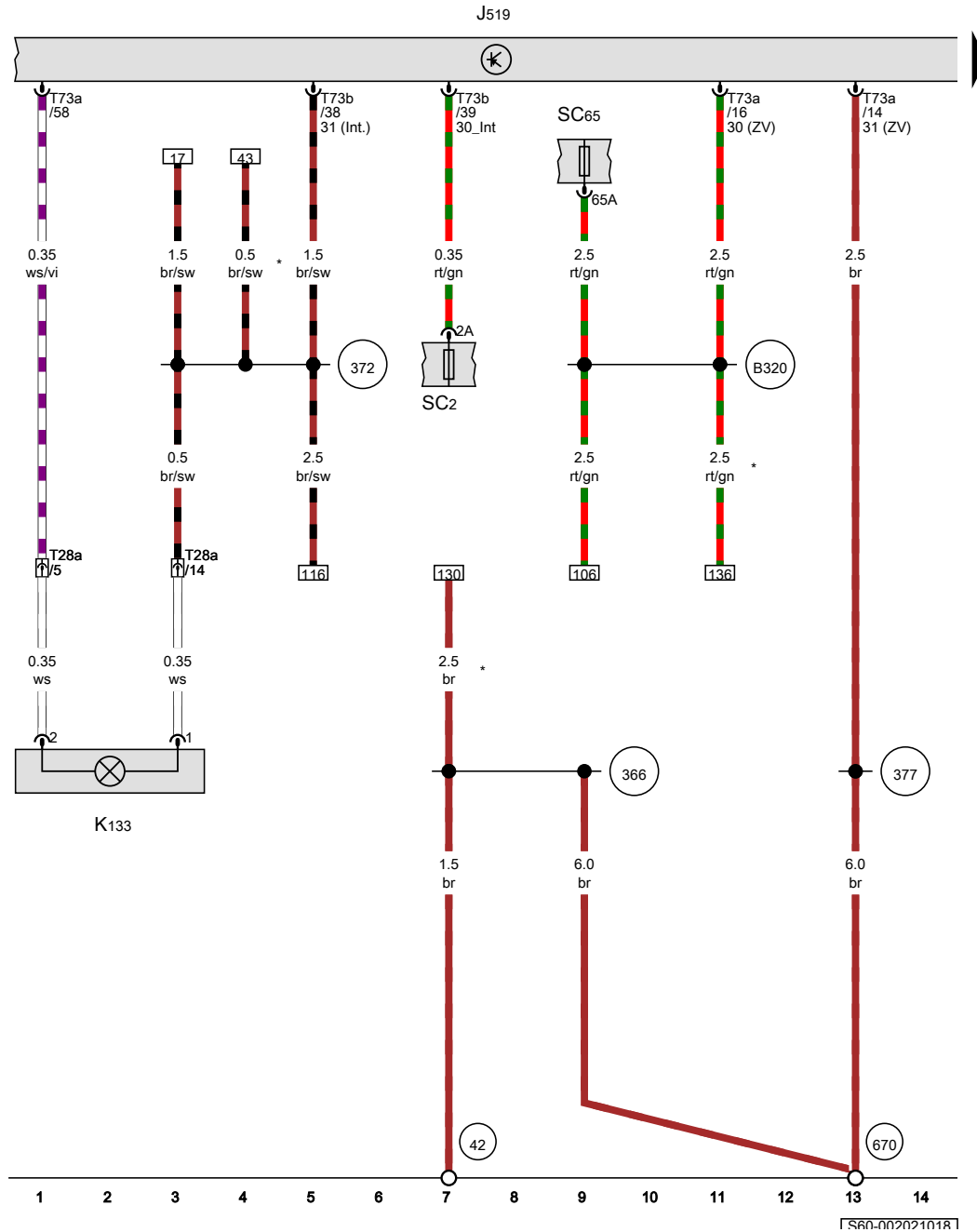
- * For models with 12 V socket
- *2 For models with Highline equipment
- *3 For models with heated washer jets

267 268 269 270 271 272 273 274 275 276 277 278 279 280

1S60-0012102191

Central locking, window regulators and mirror adjustment , (L0L)

From June 2016



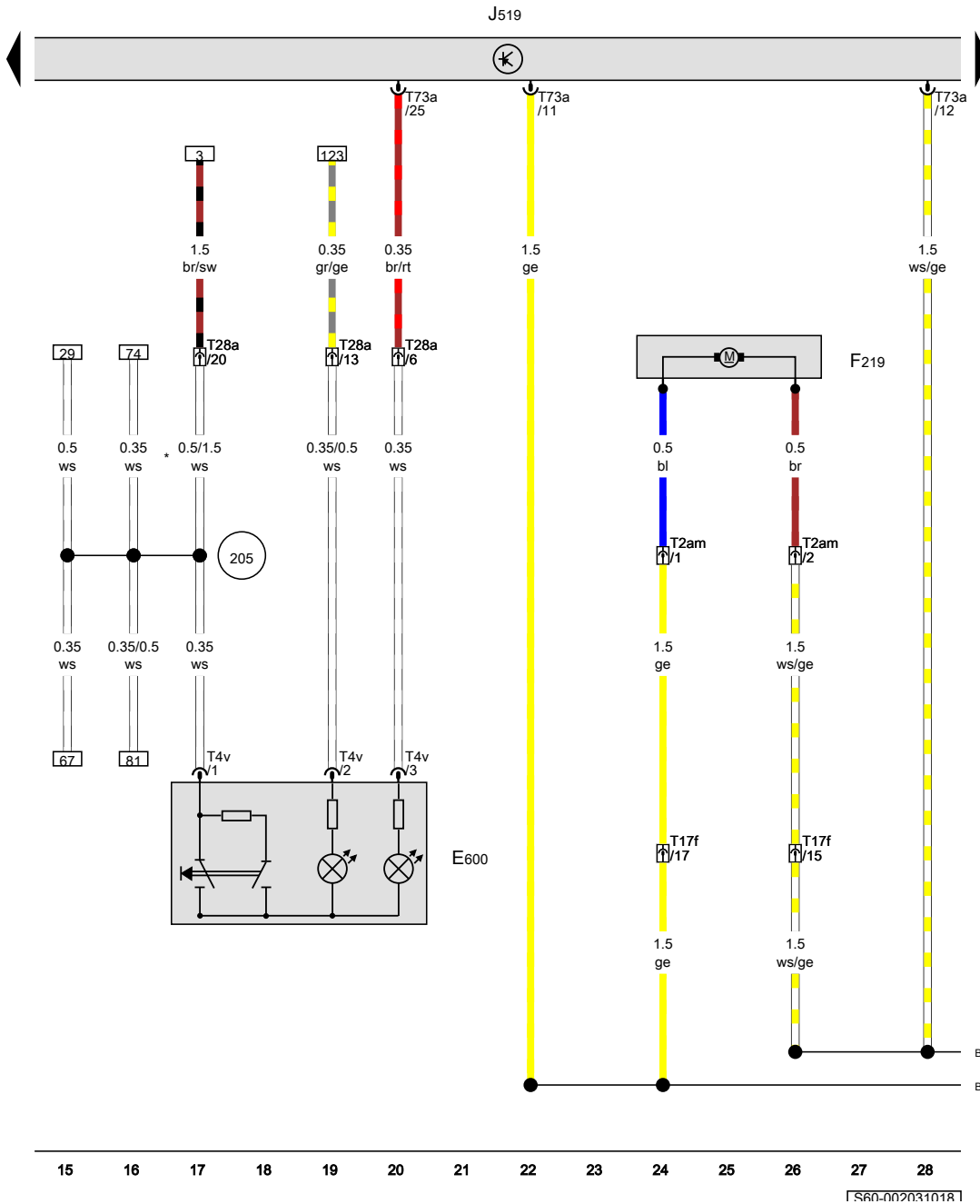
Onboard supply control unit, Central locking SAFELOCK function warning lamp, Fuse 2 on fuse holder C, Fuse 65 on fuse holder C

- J519 Onboard supply control unit
- K133 Central locking SAFELOCK function warning lamp
- SC2 Fuse 2 on fuse holder C
- SC65 Fuse 65 on fuse holder C
- T28a 28-pin connector, black, on left A-pillar
- T73a 73-pin connector, black
- T73b 73-pin connector, colourless

- 42 Earth point, next to steering column
- 366 Earth connection 1, in main wiring harness
- 372 Earth connection 7, in main wiring harness
- 377 Earth connection 12, in main wiring harness
- 670 Earth point 2, left A-pillar
- B320 Positive connection 6 (30a) in main wiring harness
- * For models with double cab

- ws = white
- sw = black
- ro = red
- rt = red
- br = brown
- gn = green
- bl = blue
- gr = grey
- li = purple
- vi = purple
- ge = yellow
- or = orange
- rs = pink

[S60-002021018]



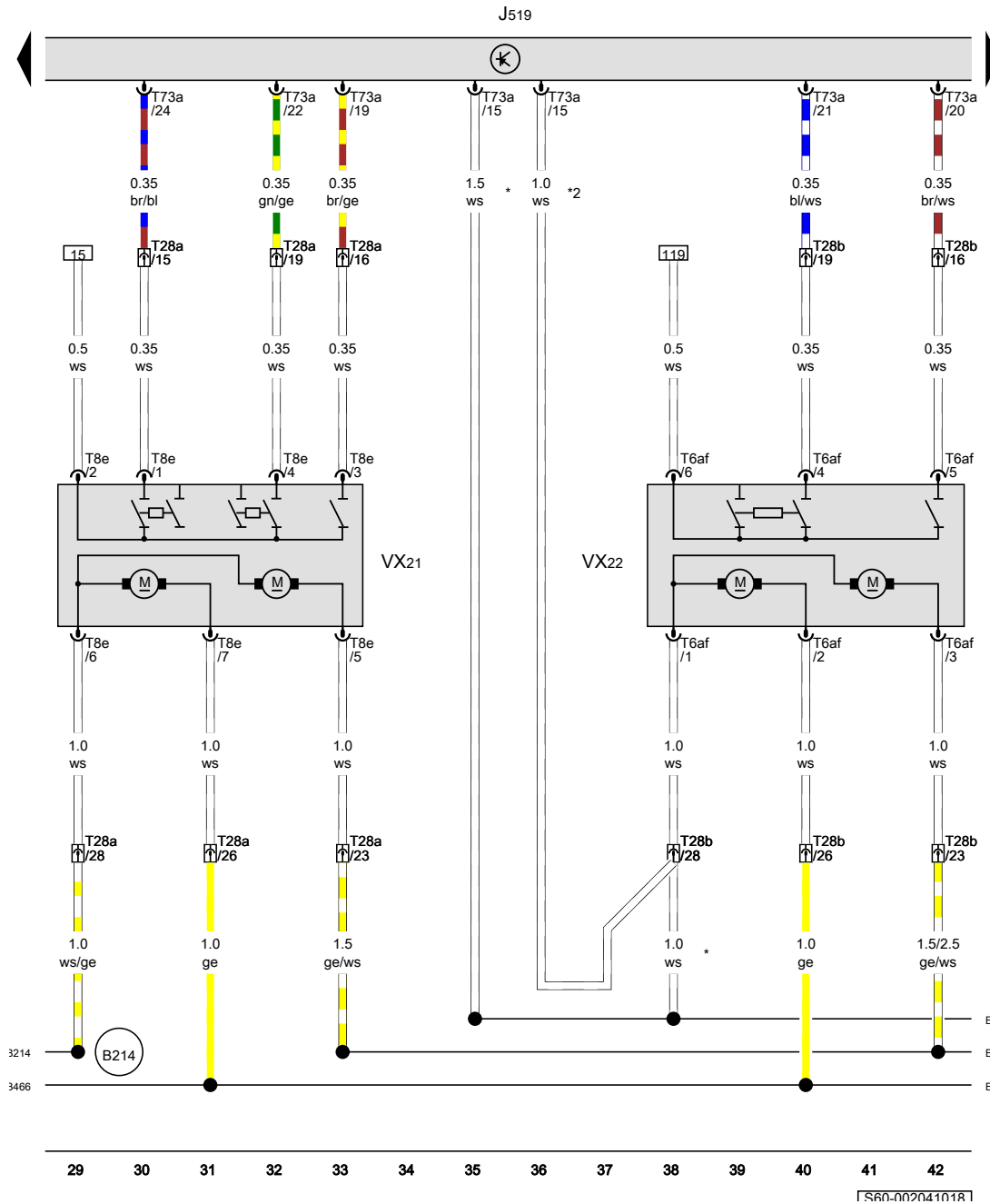
Central locking button, Fuel tank filler flap central locking actuator, Onboard supply control unit

- E600 Central locking button, in driver door
- F219 Fuel tank filler flap central locking actuator
- J519 Onboard supply control unit
- T2am 2-pin connector, black, on left wheel housing
- T4v 4-pin connector, black
- T17f 17-pin connector, blue, near handbrake lever
- T28a 28-pin connector, black, on left A-pillar
- T73a 73-pin connector, black

- 205 Earth connection, in driver door wiring harness
- B21 Connection 1 (central locking), in interior wiring harness
- B46 Connection 2, in main wiring harness
- * According to equipment

- ws = white
- sw = black
- ro = red
- rt = red
- br = brown
- gn = green
- bl = blue
- gr = grey
- li = purple
- vi = purple
- ge = yellow
- or = orange
- rs = pink

[S60-002031018]



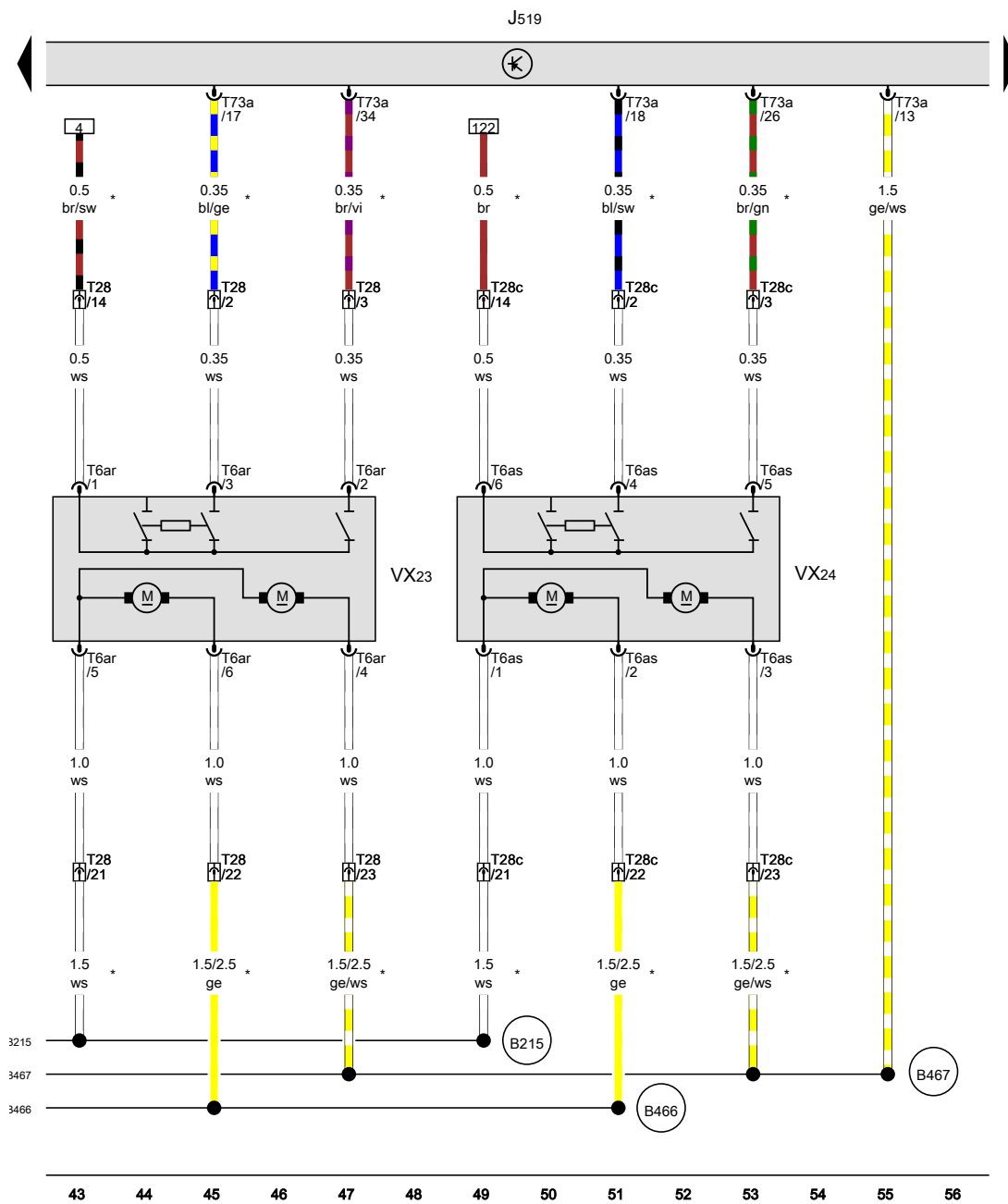
Onboard supply control unit, Driver door lock unit, Front passenger door lock unit

- J519 Onboard supply control unit
- T6af 6-pin connector, black
- T8e 8-pin connector, black
- T28a 28-pin connector, black, on left A-pillar
- T28b 28-pin connector, black, on right A-pillar
- T73a 73-pin connector, black
- VX21 Driver door lock unit
- VX22 Front passenger door lock unit

- B214 Connection 1 (central locking), in interior wiring harness
- B215 Connection 2 (central locking), in interior wiring harness
- B466 Connection 2, in main wiring harness
- B467 Connection 3, in main wiring harness

- * For models with double cab
- *2 For models with single cab

- ws = white
- sw = black
- ro = red
- rt = red
- br = brown
- gn = green
- bl = blue
- gr = grey
- li = purple
- vi = purple
- ge = yellow
- or = orange
- rs = pink



Onboard supply control unit, Rear left door lock unit, Rear right door lock unit

- J519 Onboard supply control unit
- T6ar 6-pin connector, black
- T6as 6-pin connector, black
- T28 28-pin connector, black, on left B-pillar
- T28c 28-pin connector, black, on right B-pillar
- T73a 73-pin connector, black
- VX23 Rear left door lock unit
- VX24 Rear right door lock unit

B215 Connection 2 (central locking), in interior wiring harness

B466 Connection 2, in main wiring harness

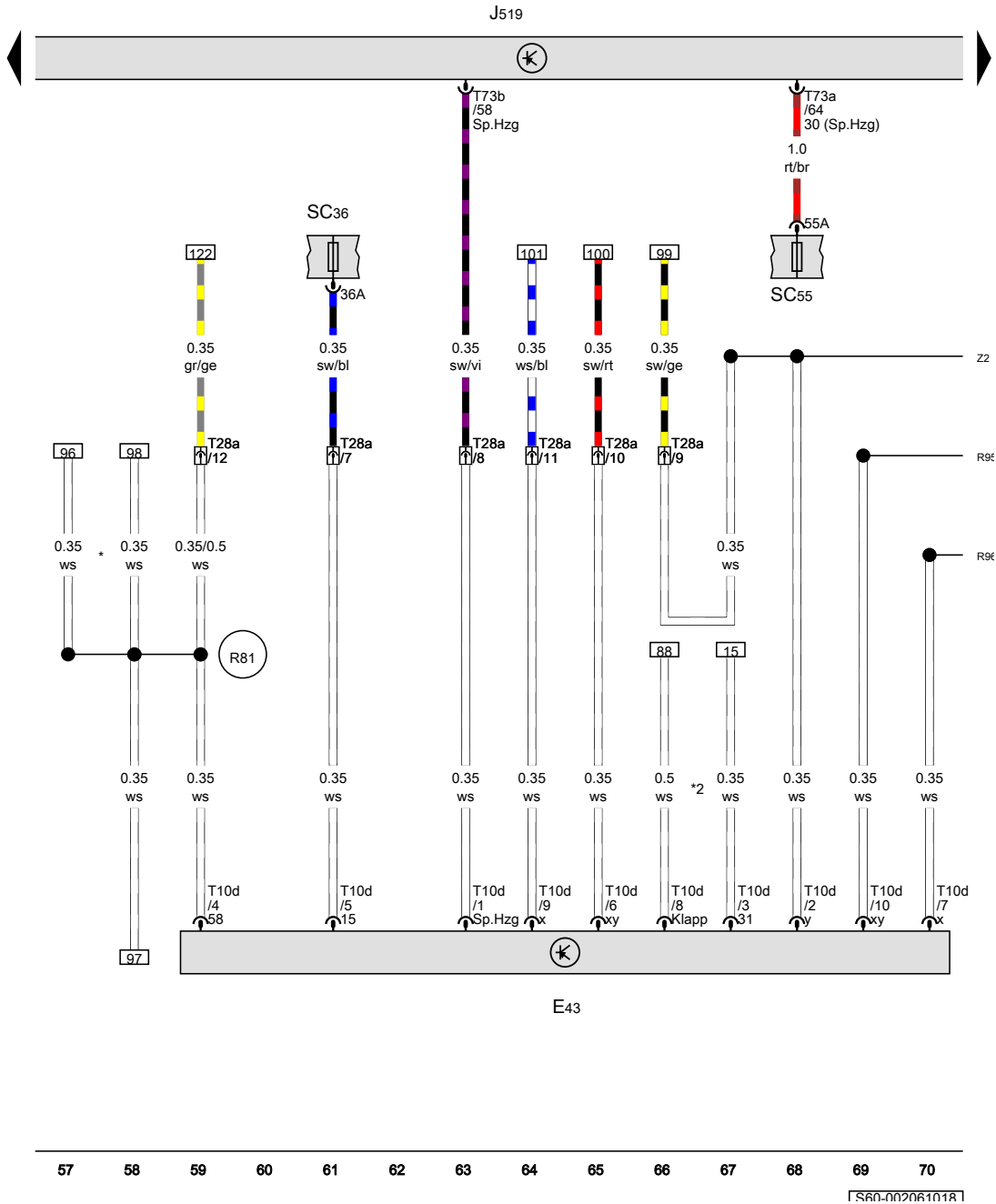
B467 Connection 3, in main wiring harness

* For models with double cab

- ws = white
- sw = black
- ro = red
- rt = red
- br = brown
- gn = green
- bl = blue
- gr = grey
- li = purple
- vi = purple
- ge = yellow
- or = orange
- rs = pink

1S60-00205101A1

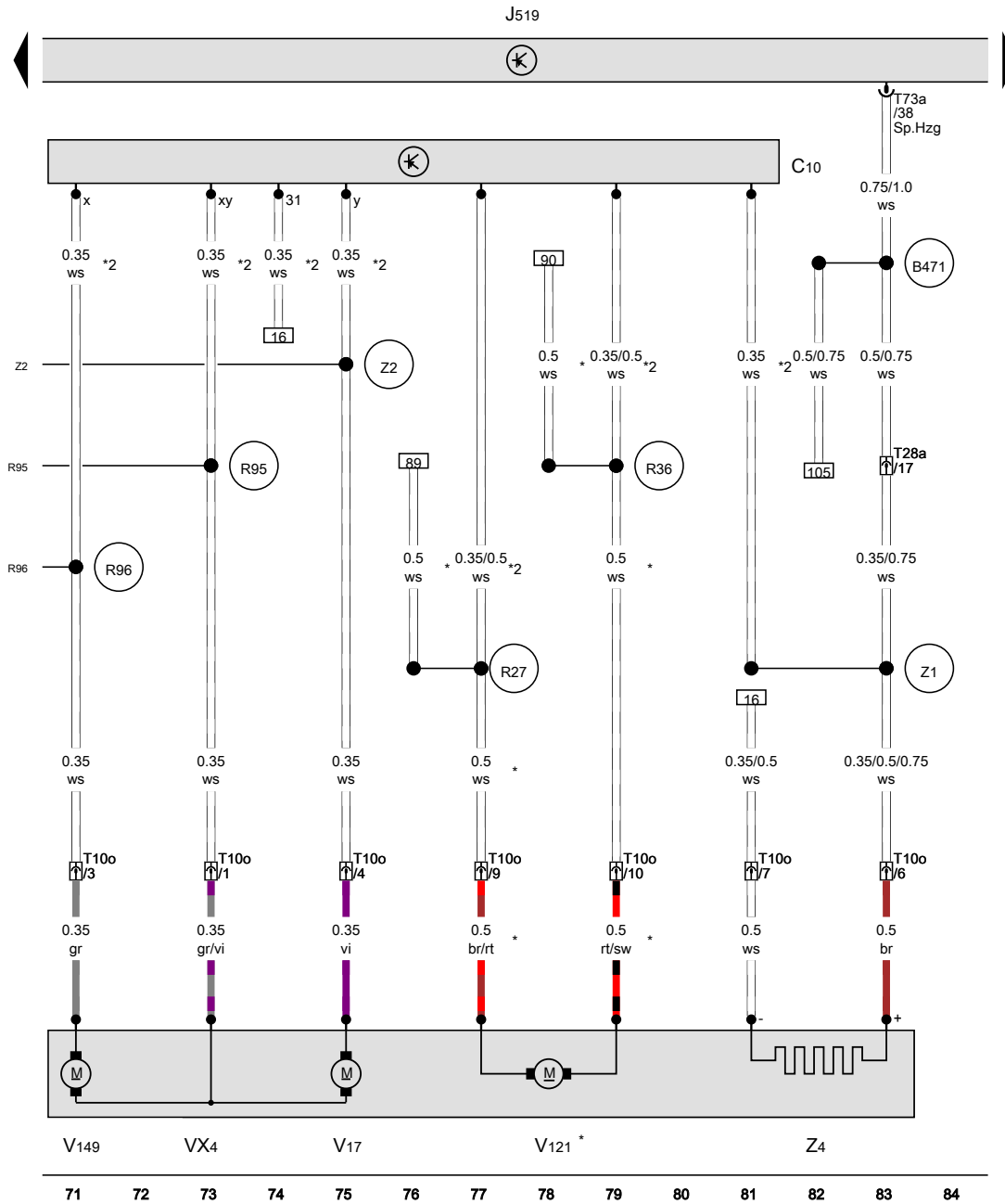
Mirror adjustment switch, Onboard supply control unit, Fuse 36 on fuse holder C, Fuse 55 on fuse holder C



- E43 Mirror adjustment switch, in driver door
- J519 Onboard supply control unit
- SC36 Fuse 36 on fuse holder C
- SC55 Fuse 55 on fuse holder C
- T10d 10-pin connector, black
- T28a 28-pin connector, black, on left A-pillar
- T73a 73-pin connector, black
- T73b 73-pin connector, colourless
- R81 Connection 1 (58d), in driver side door wiring harness
- R95 Connection 2 in driver side door wiring harness
- R96 Connection 3 in driver side door wiring harness
- Z2 Connection 2, in mirror adjustment/heating wiring harness
- * Up to August 2018
- *2 For models with electric folding exterior mirrors

- ws = white
- sw = black
- ro = red
- rt = red
- br = brown
- gn = green
- bl = blue
- gr = grey
- li = purple
- vi = purple
- ge = yellow
- or = orange
- rs = pink

1560-002061018



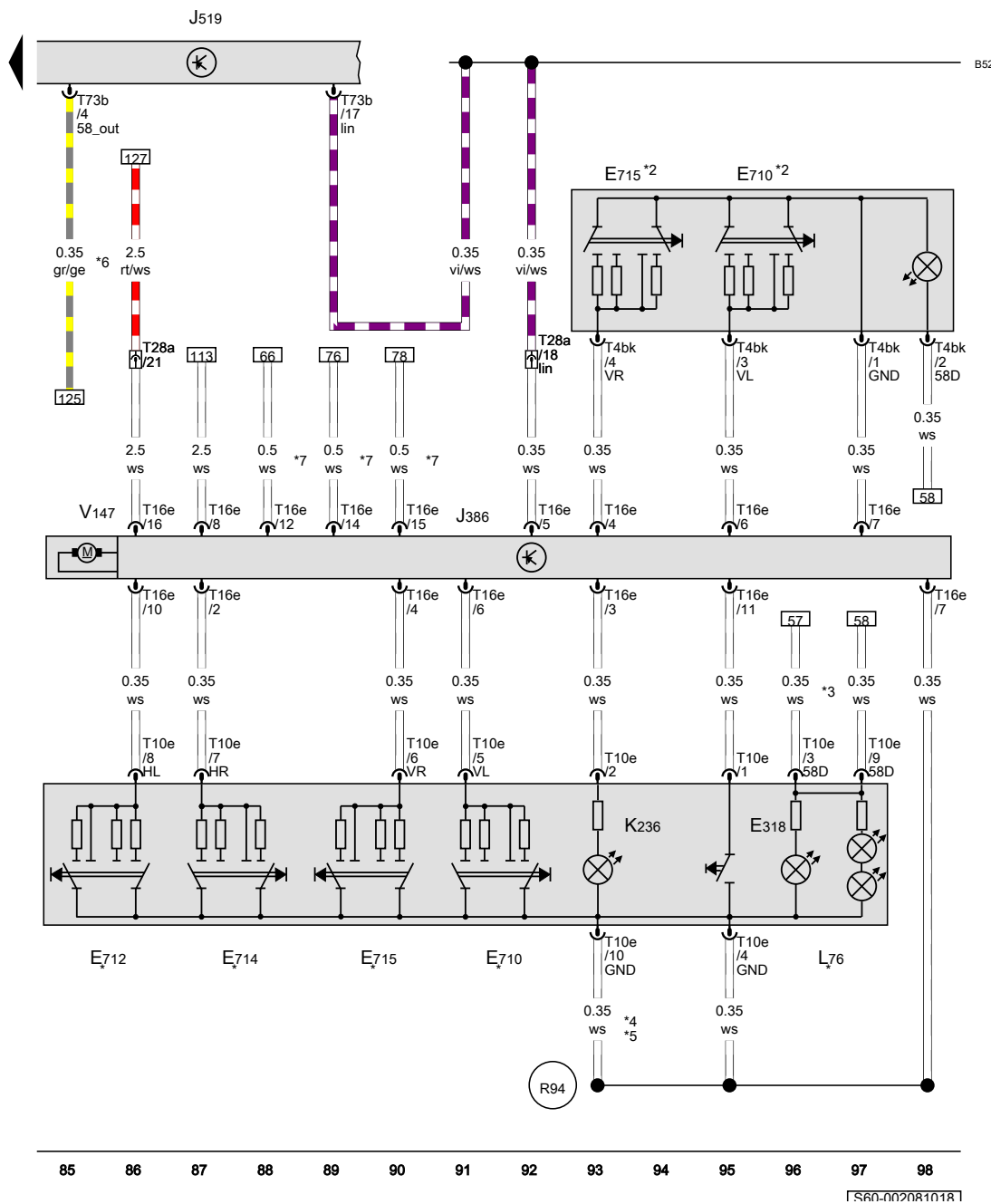
Suppression filter, Onboard supply control unit, Driver side exterior mirror

- C10 Suppression filter, in left door
- J519 Onboard supply control unit
- T100 10-pin connector, black, in left door, near exterior mirror
- T28a 28-pin connector, black, on left A-pillar
- T73a 73-pin connector, black
- VX4 Driver side exterior mirror
- V17 Driver side mirror adjustment motor 2
- V121 Driver side fold-in mirror motor
- V149 Driver side mirror adjustment motor
- Z4 Heated exterior mirror on driver side

- (B471) Connection 7, in main wiring harness
- (R27) Connection (mirror adjustment), in driver door wiring harness
- (R36) Connection (mirror adjustment), in front passenger door wiring harness
- (R95) Connection 2 in driver side door wiring harness
- (R96) Connection 3 in driver side door wiring harness
- (Z1) Connection 1, in mirror adjustment/heating wiring harness
- (Z2) Connection 2, in mirror adjustment/heating wiring harness
- * For models with electric folding exterior mirrors
- *2 According to equipment

- ws = white
- sw = black
- ro = red
- rt = red
- br = brown
- gn = green
- bl = blue
- gr = grey
- li = purple
- vi = purple
- ge = yellow
- or = orange
- rs = pink

1S60-00207101A1



Front driver side window regulator button, Rear driver side window regulator button, in driver door, Rear passenger side window regulator button, in driver door, Front passenger side window regulator button, in driver door, Driver door control unit, Onboard supply control unit, Driver side window regulator motor

- E318 Childproof lock button
- E710 Front driver side window regulator button
- E712 Rear driver side window regulator button, in driver door
- E714 Rear passenger side window regulator button, in driver door
- E715 Front passenger side window regulator button, in driver door
- J386 Driver door control unit
- J519 Onboard supply control unit
- K236 Warning light for activated childproof lock
- L76 Button illumination bulb
- T4bk 4-pin connector, black
- T10e 10-pin connector, black
- T16e 16-pin connector, black
- T28a 28-pin connector, black, on left A-pillar
- T73b 73-pin connector, colourless
- V147 Driver side window regulator motor

(B528) Connection 1 (LIN bus) in main wiring harness

(R94) Connection 1 in driver side door wiring harness

- * For models with double cab
- *2 For models with single cab
- *3 Up to August 2018
- *4 Wire with no function
- *5 Gradually discontinued
- *6 For models with no dimmable instrument illumination
- *7 For models with electric folding exterior mirrors

- ws = white
- bl = black
- ro = red
- rt = red
- br = brown
- gn = green
- bl = blue
- gr = grey
- li = purple
- vi = purple
- ge = yellow
- or = orange
- rs = pink

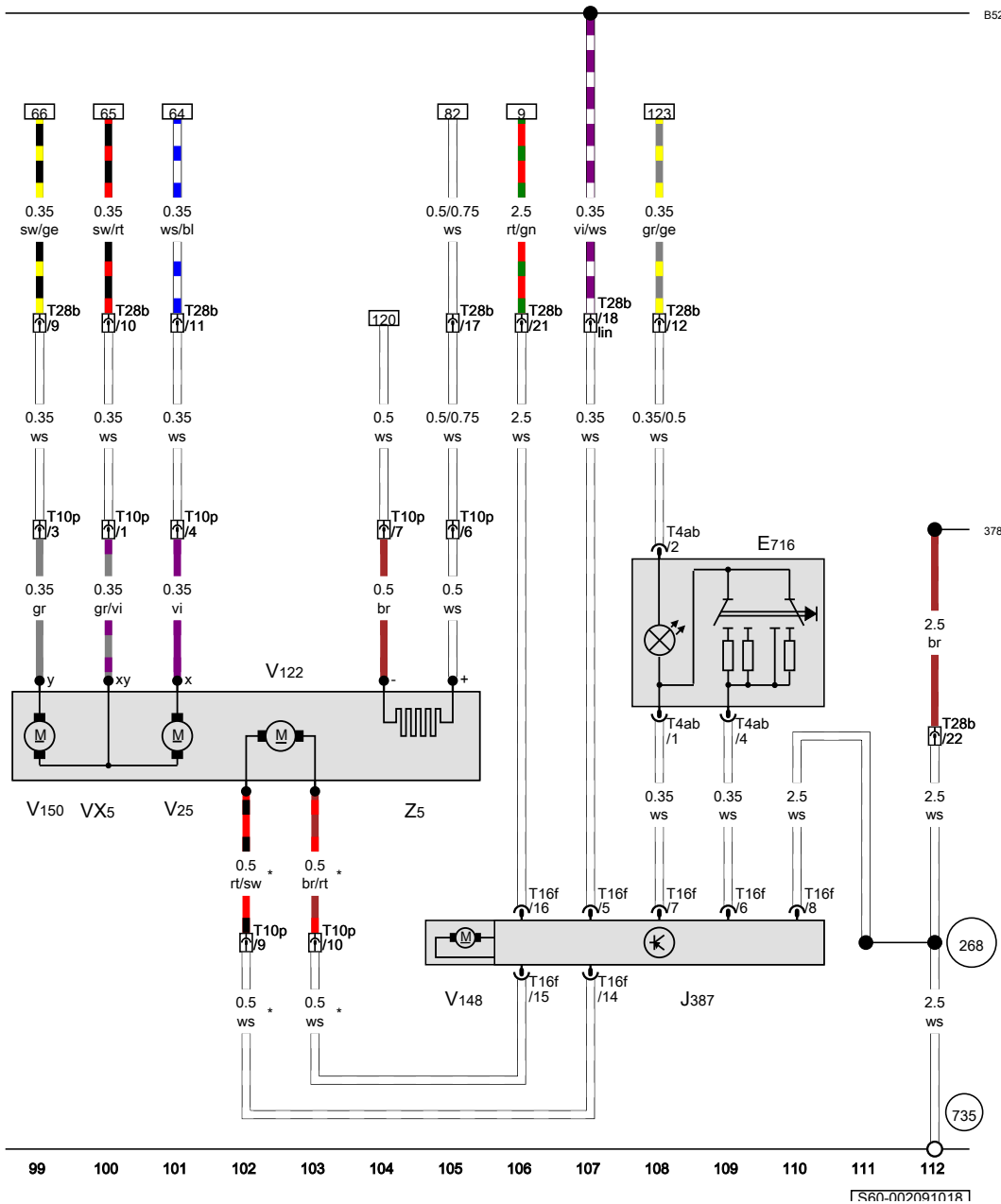
3528

B52

Front passenger side window regulator button, Front passenger door control unit, Passenger side exterior mirror, Front passenger side window regulator motor

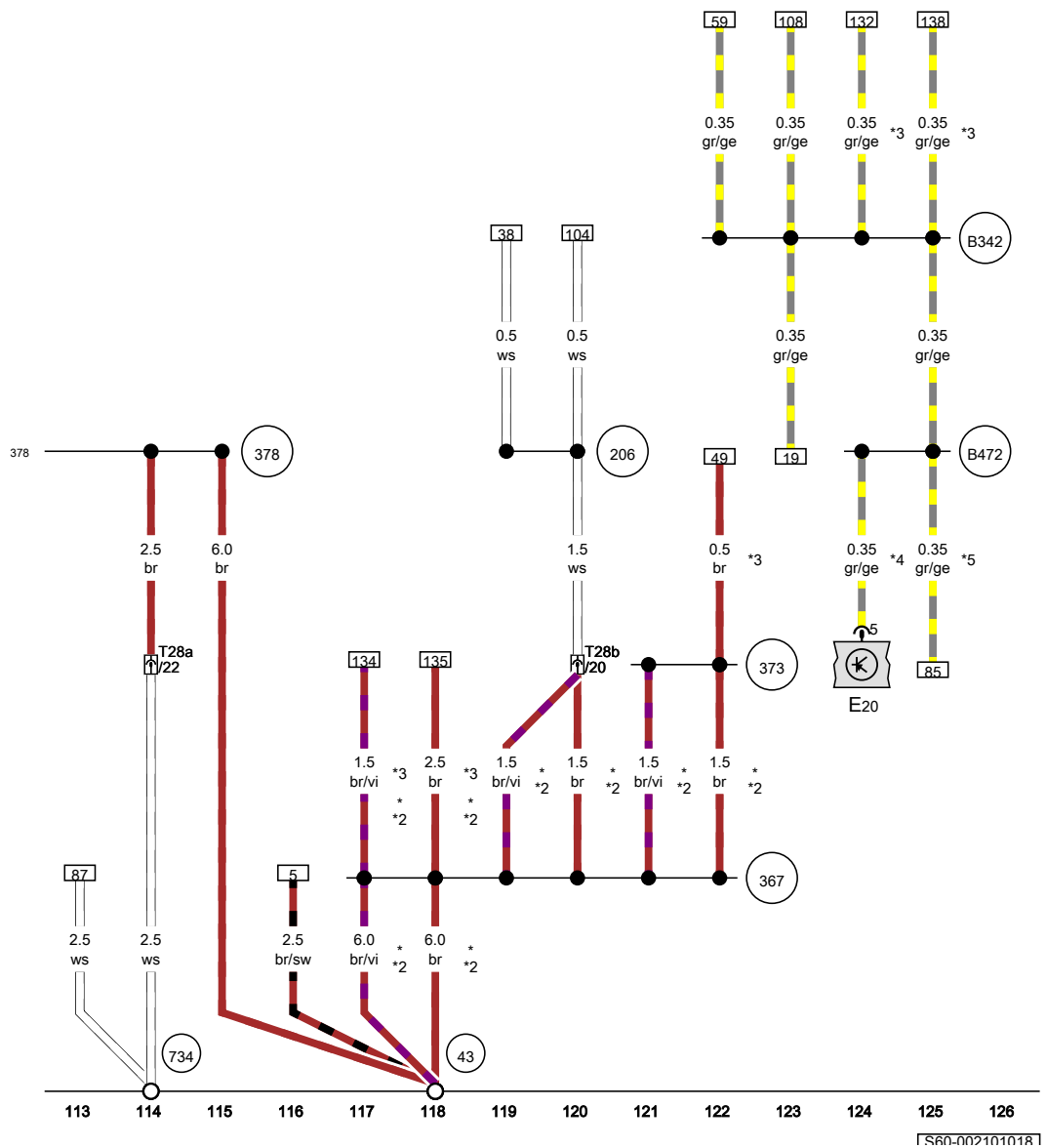
- E716 Front passenger side window regulator button
- J387 Front passenger door control unit
- T4ab 4-pin connector, black
- T10p 10-pin connector, black, in right door, near exterior mirror
- T16f 16-pin connector, black
- T28b 28-pin connector, black, on right A-pillar
- VX5 Passenger side exterior mirror
- V25 Front passenger side mirror adjustment motor 2
- V122 Front passenger side fold-in mirror motor
- V148 Front passenger side window regulator motor
- V150 Front passenger side mirror adjustment motor
- Z5 Heated exterior mirror on passenger side

- 268 Earth connection 2, in front passenger side door wiring harness
- 378 Earth connection 13, in main wiring harness
- 735 Earth point in front right door
- B528 Connection 1 (LIN bus) in main wiring harness
- * For models with electric folding exterior mirrors



1S60-0020910118

3528 _____ B52



Switch and instrument illumination regulator

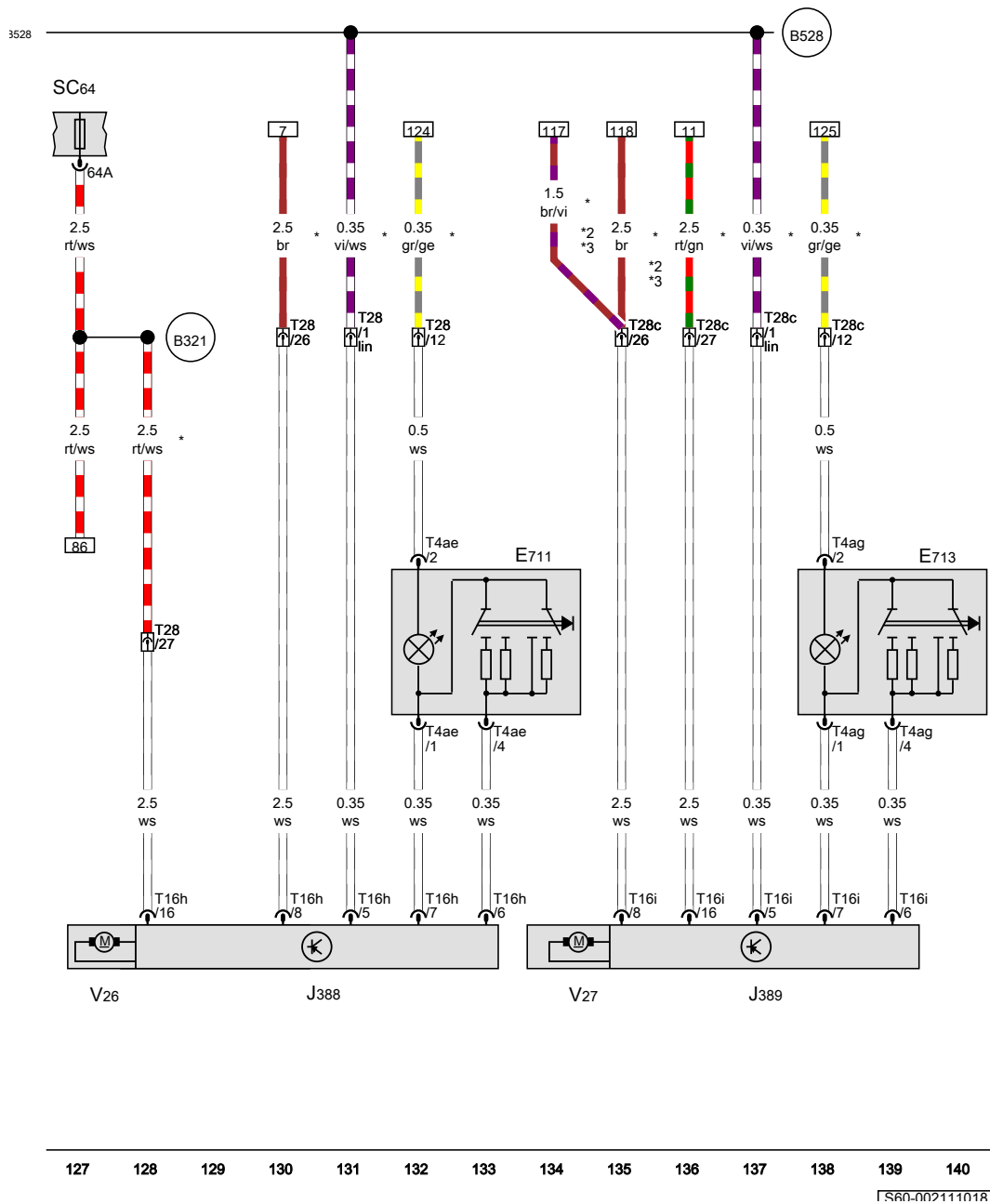
- E20 Switch and instrument illumination regulator
- T28a 28-pin connector, black, on left A-pillar
- T28b 28-pin connector, black, on right A-pillar

- (43) Earth point, lower part of right A-pillar
- (206) Earth connection, in front passenger door wiring harness
- (367) Earth connection 2, in main wiring harness
- (373) Earth connection 8, in main wiring harness
- (378) Earth connection 13, in main wiring harness
- (734) Earth point in front left door
- (B342) Connection 3 (58d), in main wiring harness
- (B472) Connection 8, in main wiring harness
- (B528) Connection 1 (LIN bus) in main wiring harness

- * Wiring colour depends on equipment
- *2 see applicable current flow diagram for earthing concept
- *3 For models with double cab
- *4 For models with dimmable instrument illumination
- *5 For models with no dimmable instrument illumination

- ws = white
- sw = black
- ro = red
- rt = red
- br = brown
- gn = green
- bl = blue
- gr = grey
- li = purple
- vi = purple
- ge = yellow
- or = orange
- rs = pink

[S60-002101018]



Rear driver side window regulator button, Rear passenger side window regulator button, Rear left door control unit, Rear right door control unit, Fuse 64 on fuse holder C, Rear left window regulator motor, Rear right window regulator motor

- E711 Rear driver side window regulator button, in rear left door
- E713 Rear passenger side window regulator button, in rear right door
- J388 Rear left door control unit
- J389 Rear right door control unit
- SC64 Fuse 64 on fuse holder C
- T4ae 4-pin connector, black
- T4ag 4-pin connector, black
- T16h 16-pin connector, black
- T16i 16-pin connector, black
- T28 28-pin connector, black, on left B-pillar
- T28c 28-pin connector, black, on right B-pillar
- V26 Rear left window regulator motor
- V27 Rear right window regulator motor

(B321) Positive connection 7 (30a) in main wiring harness

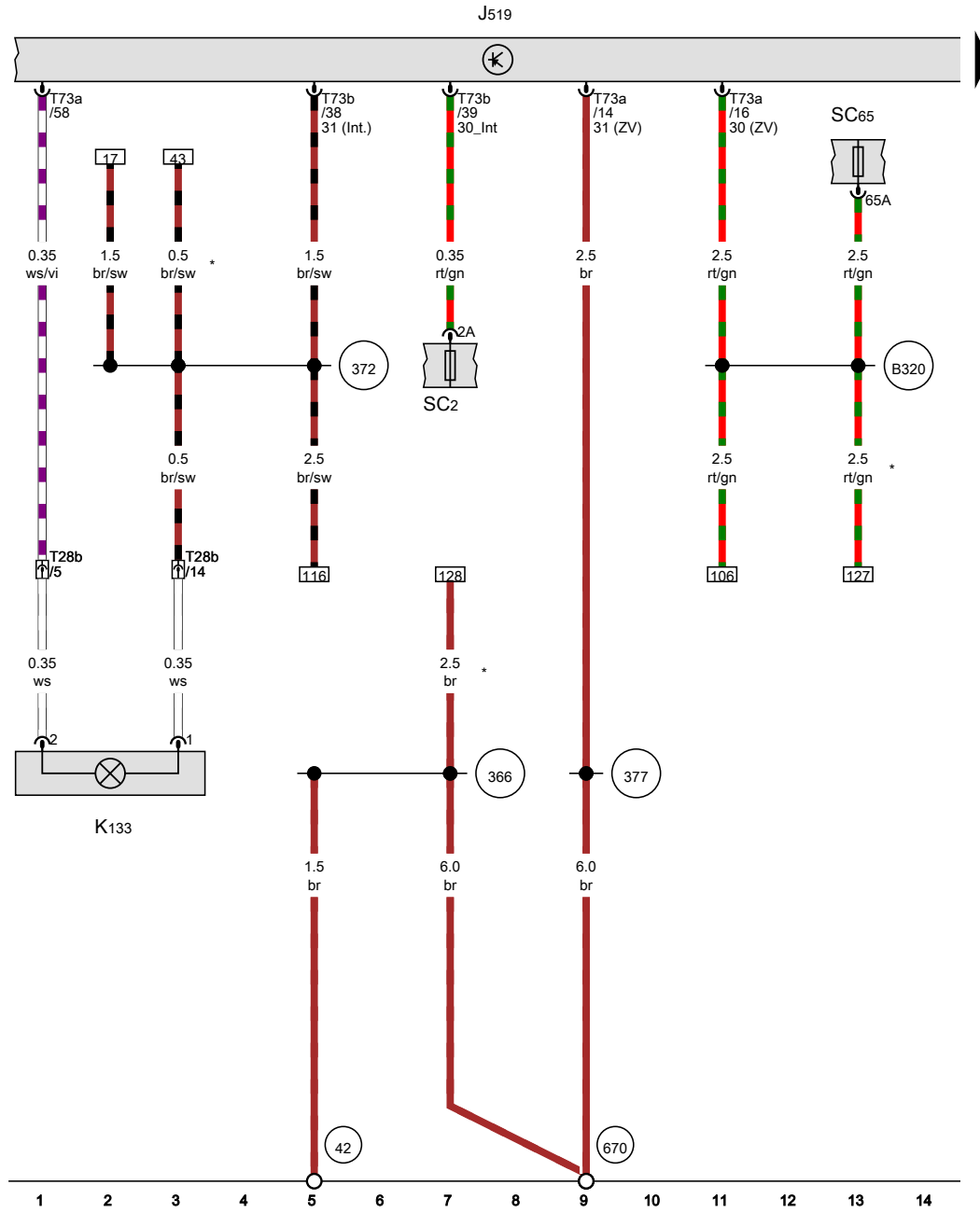
(B528) Connection 1 (LIN bus) in main wiring harness

- * For models with double cab
- *2 Wiring colour depends on equipment
- *3 see applicable current flow diagram for earthing concept

- ws = white
- sw = black
- ro = red
- rt = red
- br = brown
- gn = green
- bl = blue
- gr = grey
- li = purple
- vi = purple
- ge = yellow
- or = orange
- rs = pink

Central locking, window regulators and mirror adjustment , (L0R)

From June 2016



Onboard supply control unit, Central locking SAFELOCK function warning lamp, Fuse 2 on fuse holder C, Fuse 65 on fuse holder C

- J519 Onboard supply control unit
- K133 Central locking SAFELOCK function warning lamp
- SC2 Fuse 2 on fuse holder C
- SC65 Fuse 65 on fuse holder C
- T28b 28-pin connector, black, on right A-pillar
- T73a 73-pin connector, black
- T73b 73-pin connector, colourless

- 42 Earth point, next to steering column
- 366 Earth connection 1, in main wiring harness
- 372 Earth connection 7, in main wiring harness
- 377 Earth connection 12, in main wiring harness
- 670 Earth point 2, left A-pillar
- B320 Positive connection 6 (30a) in main wiring harness
- * For models with double cab

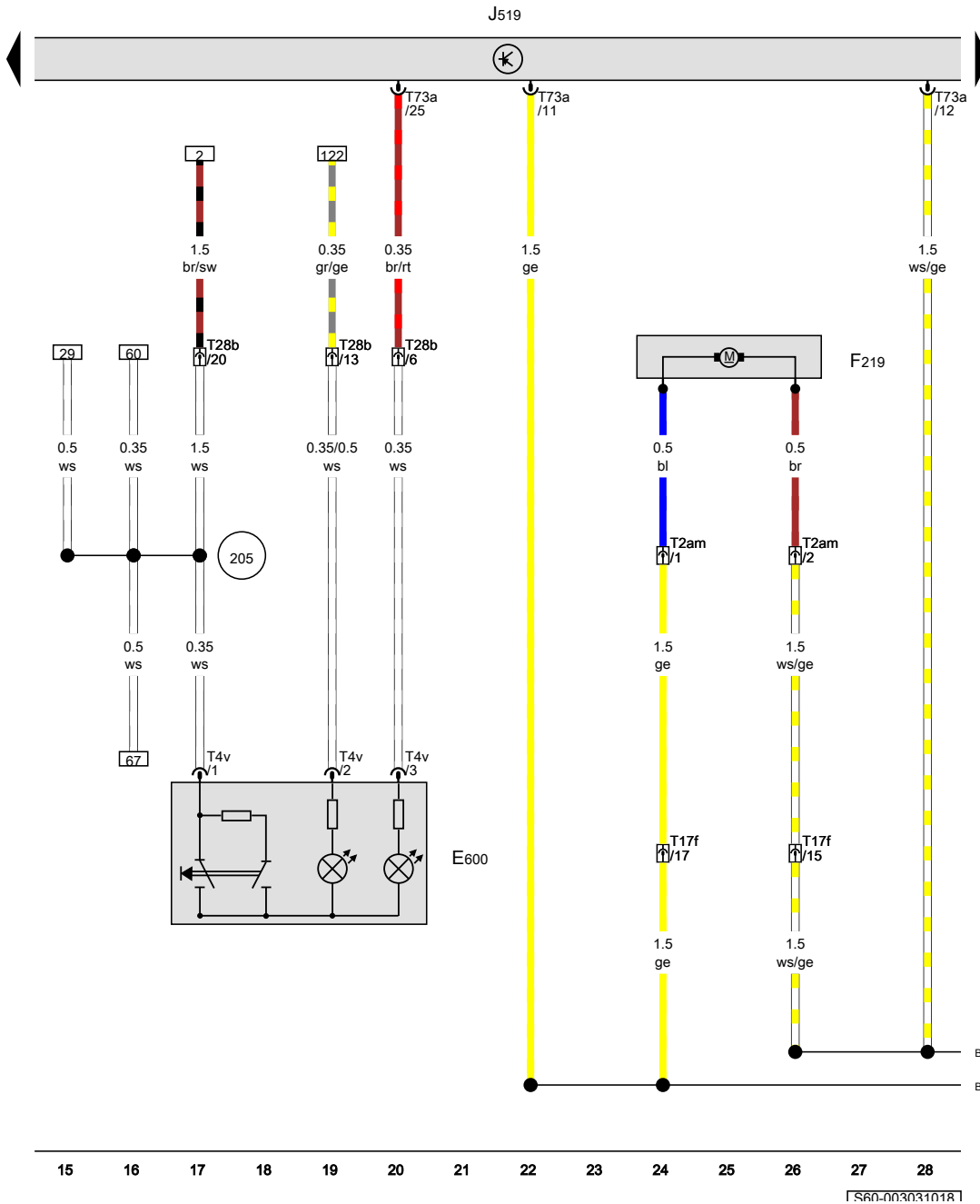
- ws = white
- sw = black
- ro = red
- rt = red
- br = brown
- gn = green
- bl = blue
- gr = grey
- li = purple
- vi = purple
- ge = yellow
- or = orange
- rs = pink

[S60-003021018]

Central locking button, Fuel tank filler flap central locking actuator, Onboard supply control unit

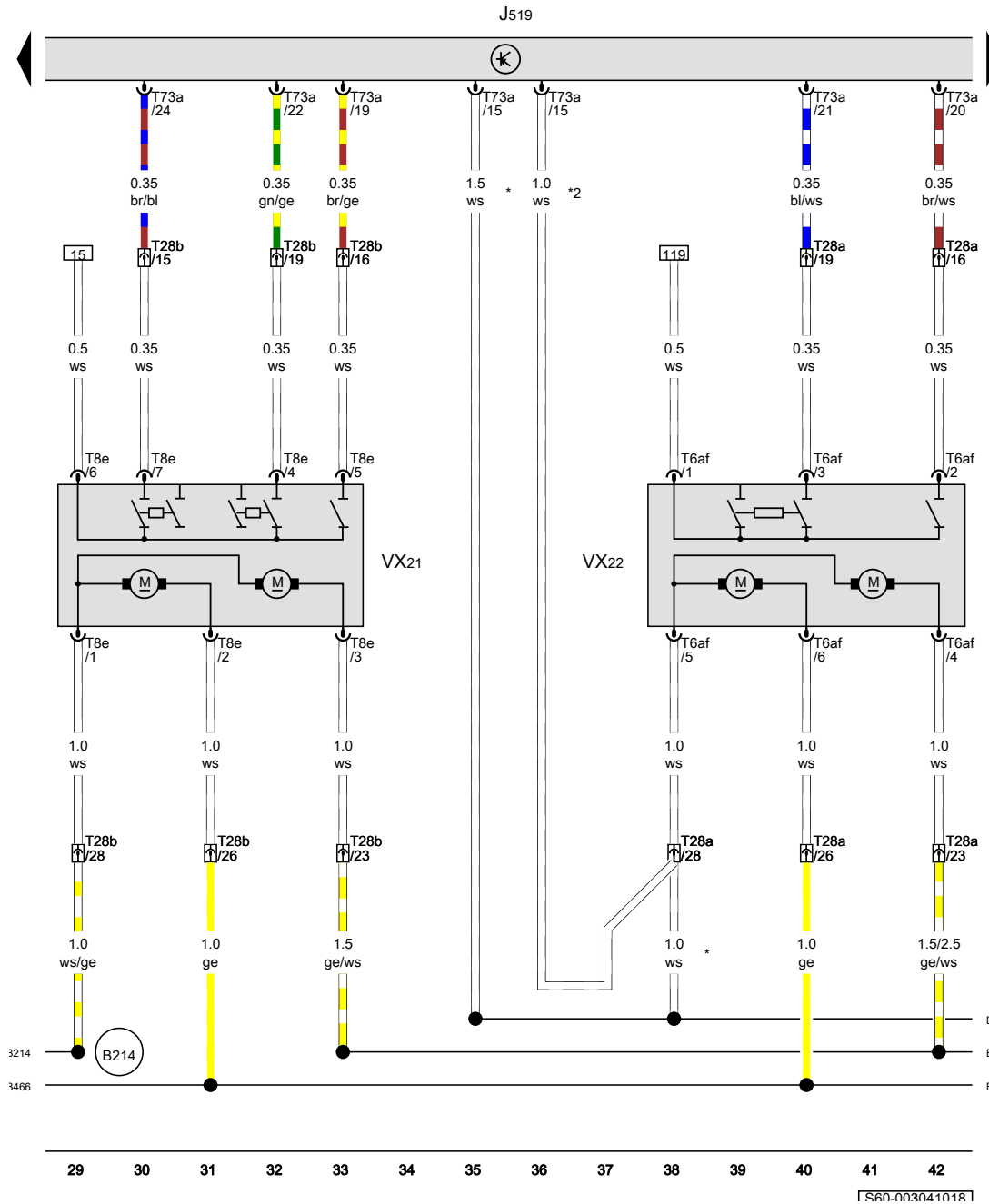
- E600 Central locking button, in driver door
- F219 Fuel tank filler flap central locking actuator
- J519 Onboard supply control unit
- T2am 2-pin connector, black, on left wheel housing
- T4v 4-pin connector, black
- T17f 17-pin connector, blue, near handbrake lever
- T28b 28-pin connector, black, on right A-pillar
- T73a 73-pin connector, black

- (205) Earth connection, in driver door wiring harness
- (B214) Connection 1 (central locking), in interior wiring harness
- (B466) Connection 2, in main wiring harness



- ws = white
- sw = black
- ro = red
- rt = red
- br = brown
- gn = green
- bl = blue
- gr = grey
- li = purple
- vi = purple
- ge = yellow
- or = orange
- rs = pink

[S60-003031018]



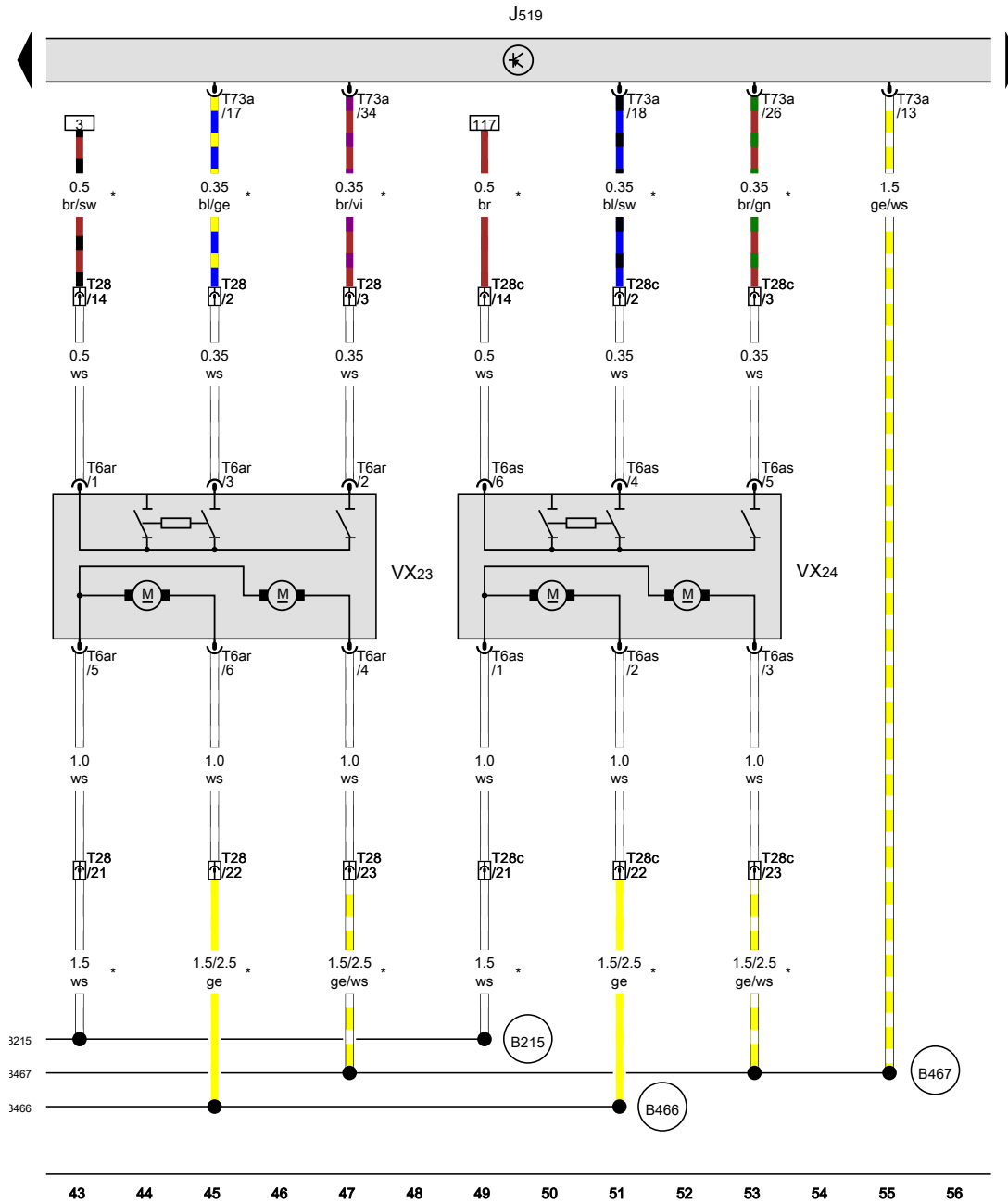
Onboard supply control unit, Driver door lock unit, Front passenger door lock unit

- J519 Onboard supply control unit
- T6af 6-pin connector, black
- T8e 8-pin connector, black
- T28a 28-pin connector, black, on left A-pillar
- T28b 28-pin connector, black, on right A-pillar
- T73a 73-pin connector, black
- VX21 Driver door lock unit
- VX22 Front passenger door lock unit

- B214 Connection 1 (central locking), in interior wiring harness
- B215 Connection 2 (central locking), in interior wiring harness
- B466 Connection 2, in main wiring harness
- B467 Connection 3, in main wiring harness

- * For models with double cab
- *2 For models with single cab

- ws = white
- sw = black
- ro = red
- rt = red
- br = brown
- gn = green
- bl = blue
- gr = grey
- li = purple
- vi = purple
- ge = yellow
- or = orange
- rs = pink



Onboard supply control unit, Rear left door lock unit, Rear right door lock unit

- J519 Onboard supply control unit
- T6ar 6-pin connector, black
- T6as 6-pin connector, black
- T28 28-pin connector, black, on left B-pillar
- T28c 28-pin connector, black, on right B-pillar
- T73a 73-pin connector, black
- VX23 Rear left door lock unit
- VX24 Rear right door lock unit

B215 Connection 2 (central locking), in interior wiring harness

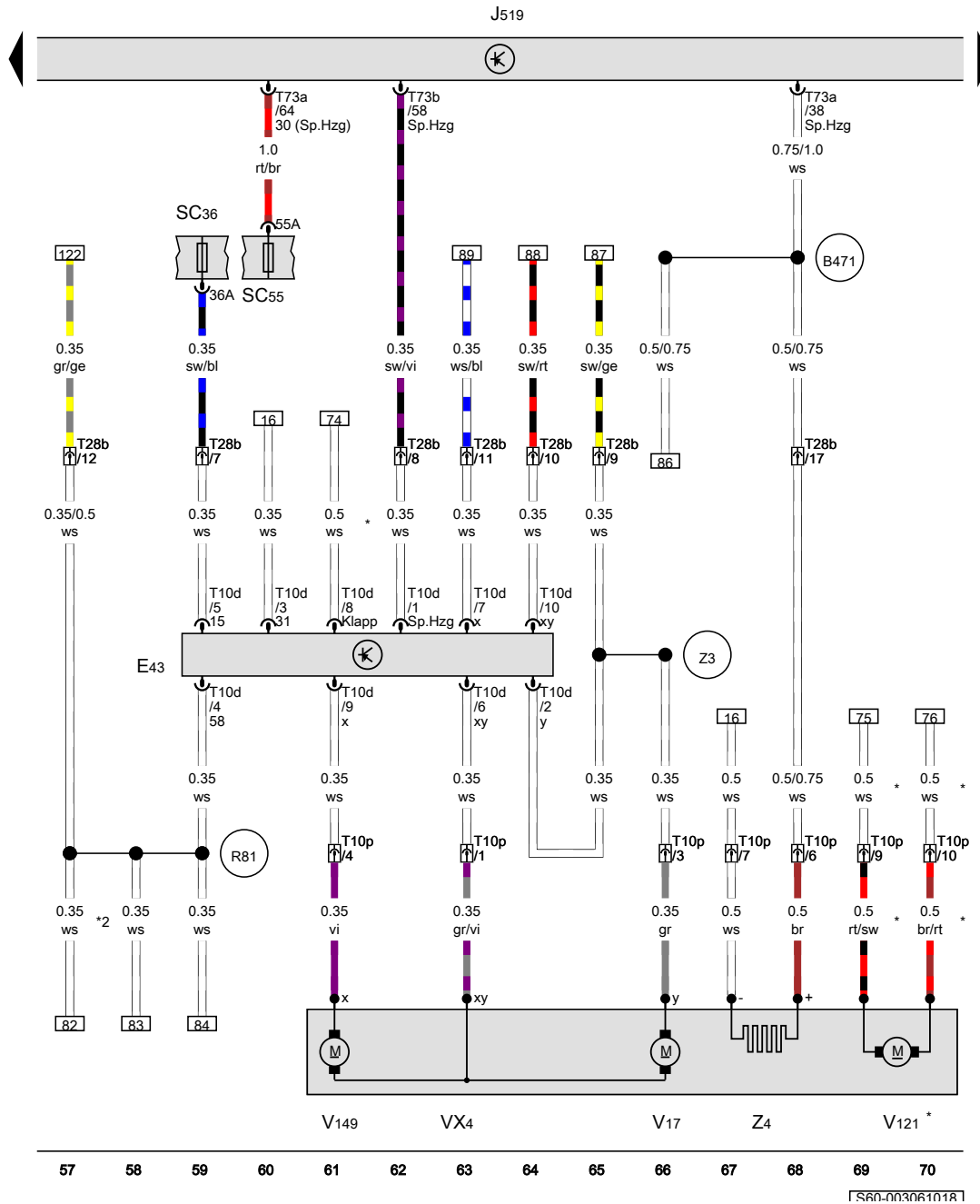
B466 Connection 2, in main wiring harness

B467 Connection 3, in main wiring harness

* For models with double cab

- ws = white
- sw = black
- ro = red
- rt = red
- br = brown
- gn = green
- bl = blue
- gr = grey
- li = purple
- vi = purple
- ge = yellow
- or = orange
- rs = pink

1S60-00305101A



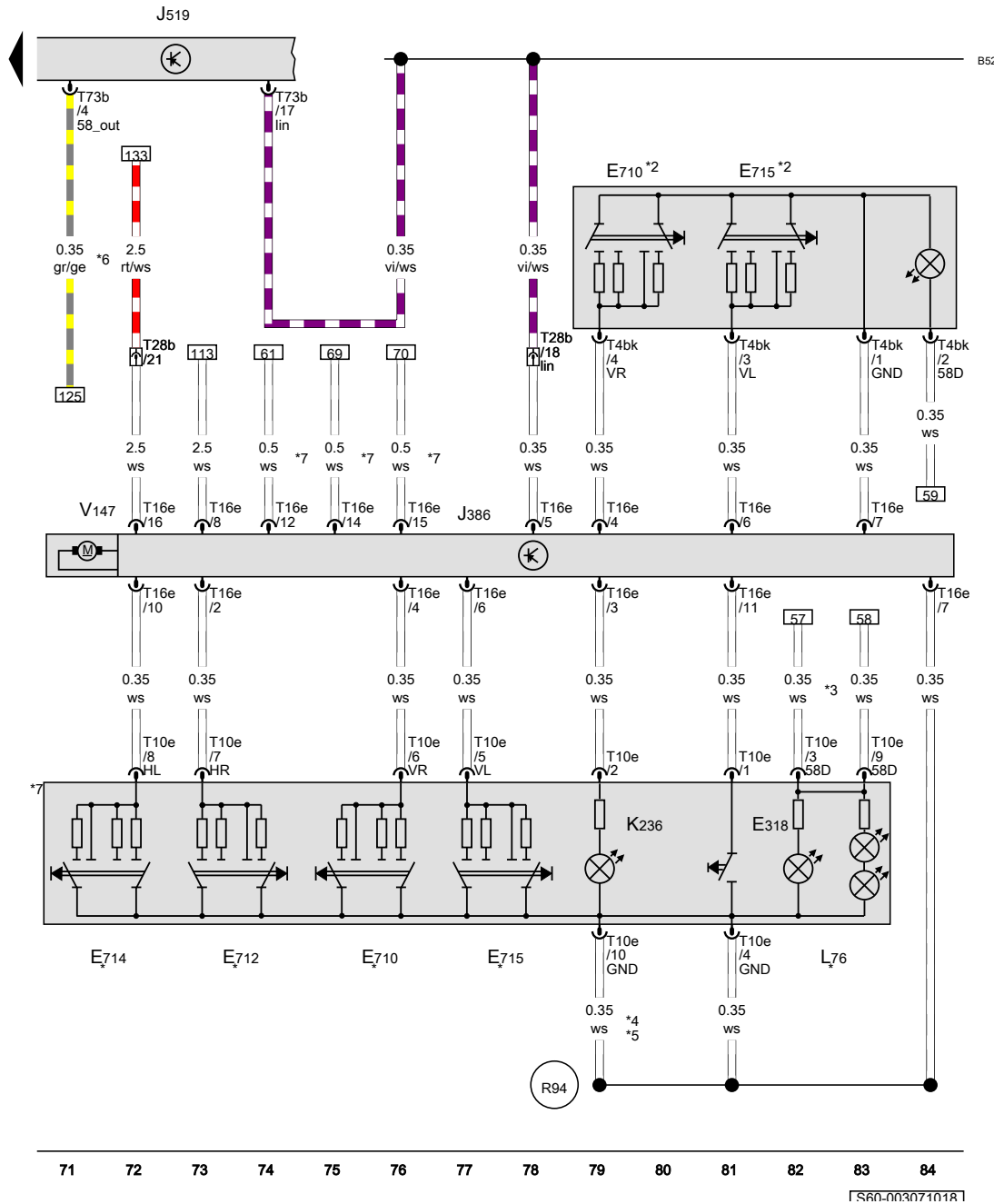
Mirror adjustment switch, Onboard supply control unit, Fuse 36 on fuse holder C, Fuse 55 on fuse holder C, Driver side exterior mirror

- E43 Mirror adjustment switch, in driver door
- J519 Onboard supply control unit
- SC36 Fuse 36 on fuse holder C
- SC55 Fuse 55 on fuse holder C
- T10d 10-pin connector, black
- T10p 10-pin connector, black, in right door, near exterior mirror
- T28b 28-pin connector, black, on right A-pillar
- T73a 73-pin connector, black
- T73b 73-pin connector, colourless
- VX4 Driver side exterior mirror
- V17 Driver side mirror adjustment motor 2
- V121 Driver side fold-in mirror motor
- V149 Driver side mirror adjustment motor
- Z4 Heated exterior mirror on driver side

- B471** Connection 7, in main wiring harness
- R81** Connection 1 (58d), in driver side door wiring harness
- Z3** Connection 3, in mirror adjustment/heating wiring harness
- * For models with electric folding exterior mirrors
- *2 Up to August 2018

- ws = white
- sw = black
- ro = red
- rt = red
- br = brown
- gn = green
- bl = blue
- gr = grey
- li = purple
- vi = purple
- ge = yellow
- or = orange
- rs = pink

1S60-003061018



Front driver side window regulator button, Rear driver side window regulator button, in driver door, Rear passenger side window regulator button, in driver door, Front passenger side window regulator button, in driver door, Driver door control unit, Onboard supply control unit, Driver side window regulator motor

- E318 Childproof lock button
- E710 Front driver side window regulator button
- E712 Rear driver side window regulator button, in driver door
- E714 Rear passenger side window regulator button, in driver door
- E715 Front passenger side window regulator button, in driver door
- J386 Driver door control unit
- J519 Onboard supply control unit
- K236 Warning light for activated childproof lock
- L76 Button illumination bulb
- T4bk 4-pin connector, black
- T10e 10-pin connector, black
- T16e 16-pin connector, black
- T28b 28-pin connector, black, on right A-pillar
- T73b 73-pin connector, colourless
- V147 Driver side window regulator motor

B528 Connection 1 (LIN bus) in main wiring harness

R94 Connection 1 in driver side door wiring harness

- * For models with double cab
- *2 For models with single cab
- *3 Up to August 2018
- *4 Wire with no function
- *5 Gradually discontinued
- *6 For models with no dimmable instrument illumination
- *7 For models with electric folding exterior mirrors

Volkswagen Technical Site: <https://vwts.ru>

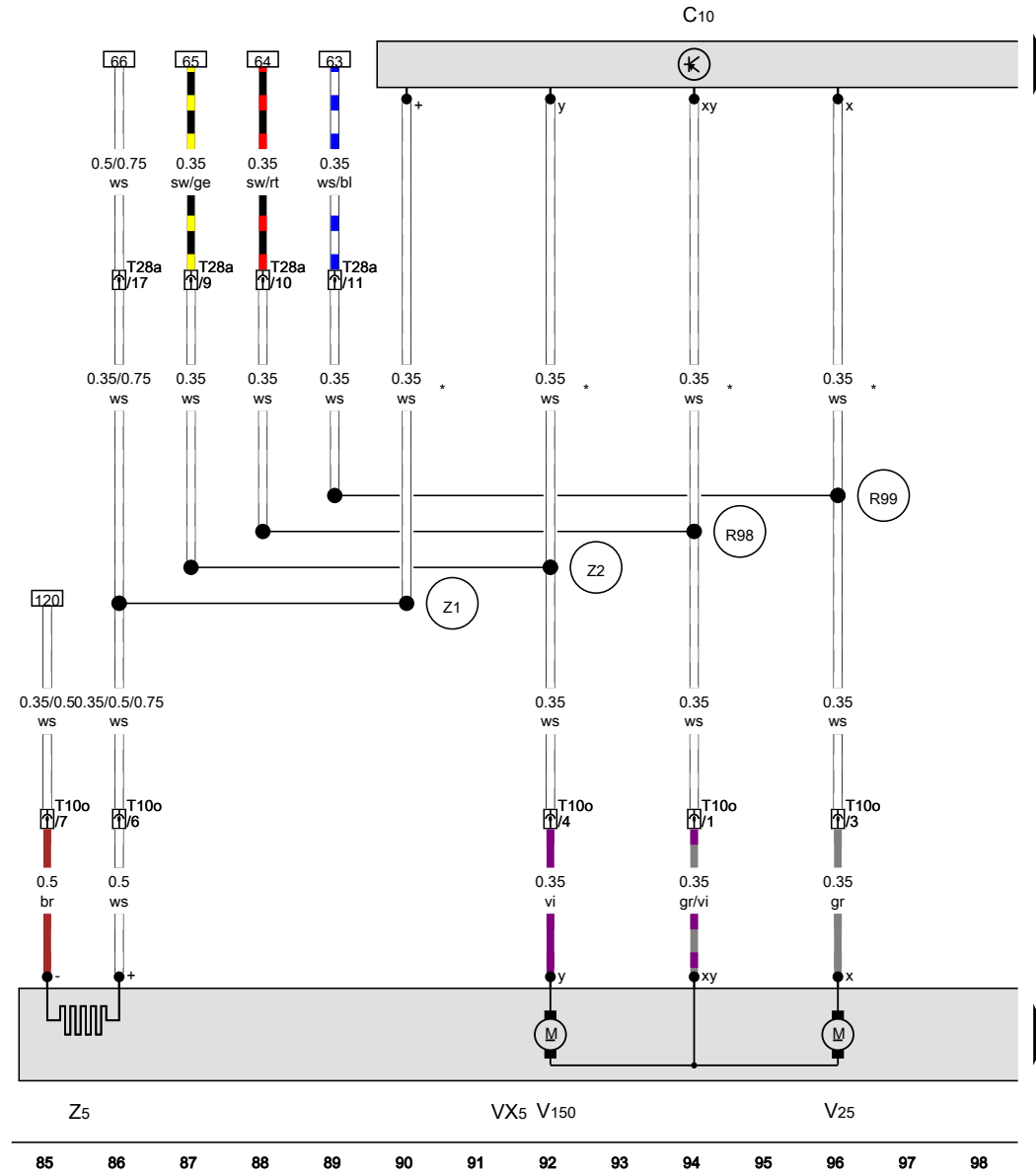
- ws = white
- sw = black
- ro = red
- rt = red
- br = brown
- gn = green
- bl = blue
- gr = grey
- li = purple
- vi = purple
- ge = yellow
- or = orange
- rs = pink

71 72 73 74 75 76 77 78 79 80 81 82 83 84

1S60-0030710181

3528

B52



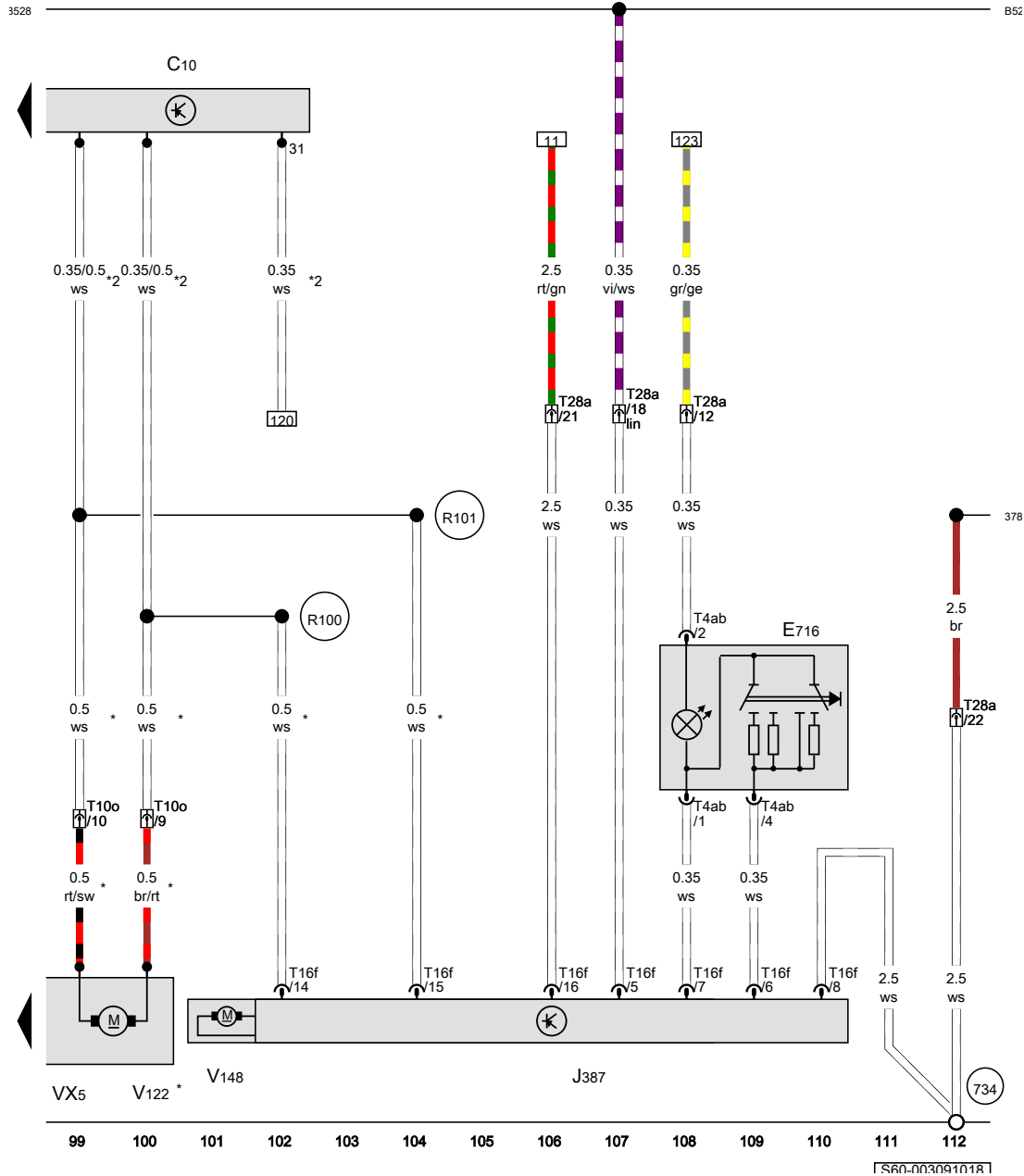
Suppression filter, Passenger side exterior mirror

- C10 Suppression filter, in left door
- T10o 10-pin connector, black, in left door, near exterior mirror
- T28a 28-pin connector, black, on left A-pillar
- VX5 Passenger side exterior mirror
- V25 Front passenger side mirror adjustment motor 2
- V150 Front passenger side mirror adjustment motor
- Z5 Heated exterior mirror on passenger side

- B528 Connection 1 (LIN bus) in main wiring harness
- R98 Connection 1 in front passenger side door wiring harness
- R99 Connection 2 in front passenger side door wiring harness
- Z1 Connection 1, in mirror adjustment/heating wiring harness
- Z2 Connection 2, in mirror adjustment/heating wiring harness
- * According to equipment

- ws = white
- sw = black
- ro = red
- rt = red
- br = brown
- gn = green
- bl = blue
- gr = grey
- li = purple
- vi = purple
- ge = yellow
- or = orange
- rs = pink

1S60-00308101A1



Suppression filter, Front passenger side window regulator button, Front passenger door control unit, Passenger side exterior mirror, Front passenger side window regulator motor

- C10 Suppression filter, in left door
- E716 Front passenger side window regulator button
- J387 Front passenger door control unit
- T4ab 4-pin connector, black
- T10o 10-pin connector, black, in left door, near exterior mirror
- T16f 16-pin connector, black
- T28a 28-pin connector, black, on left A-pillar
- VX5 Passenger side exterior mirror
- V122 Front passenger side fold-in mirror motor
- V148 Front passenger side window regulator motor

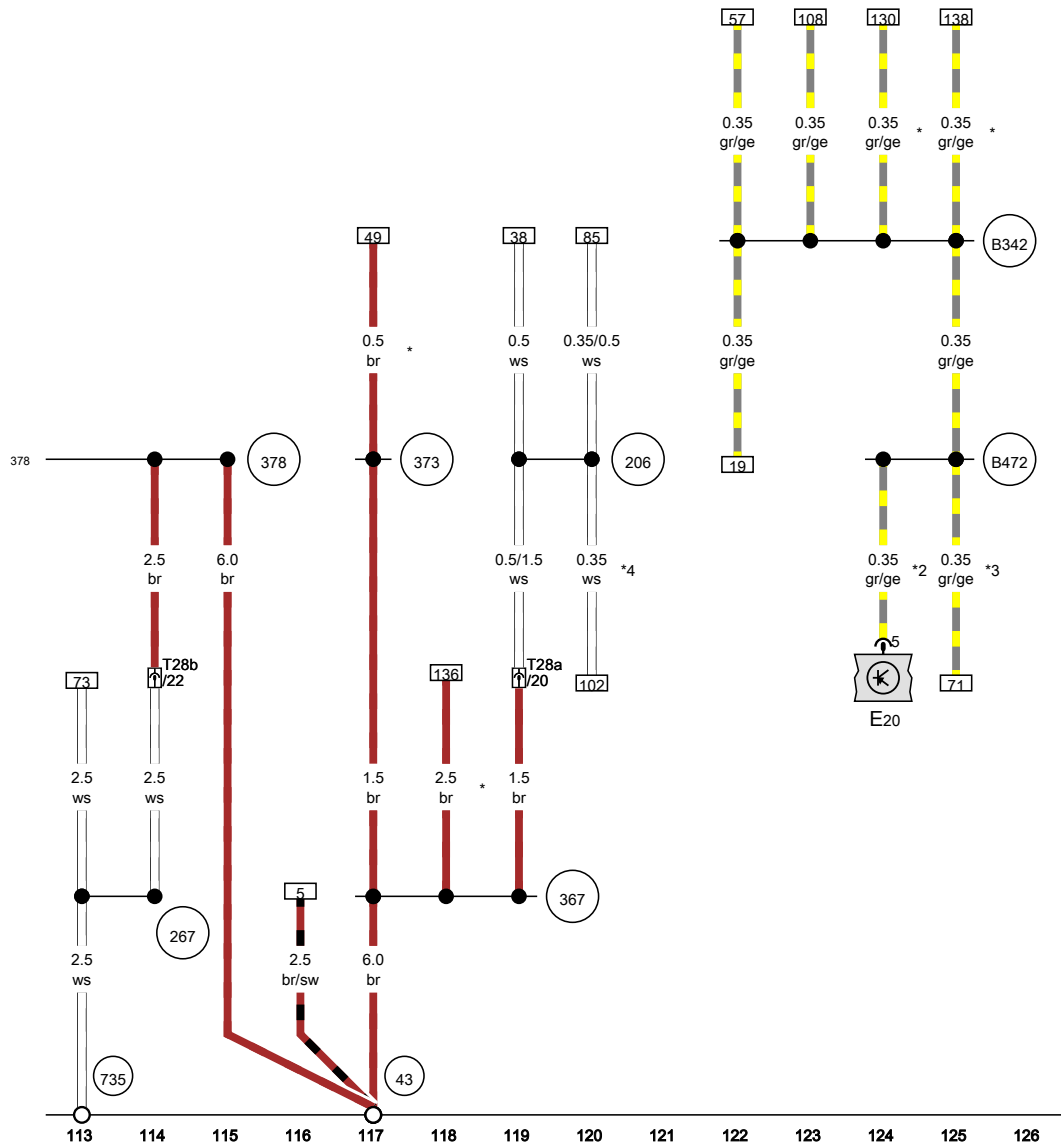
- 378 Earth connection 13, in main wiring harness
- 734 Earth point in front left door
- B528 Connection 1 (LIN bus) in main wiring harness
- R100 Connection 3 in front passenger side door wiring harness
- R101 Connection 4 in front passenger side door wiring harness

* For models with electric folding exterior mirrors
 *2 According to equipment

1S60-00309101A

3528

B52



1560-003101018

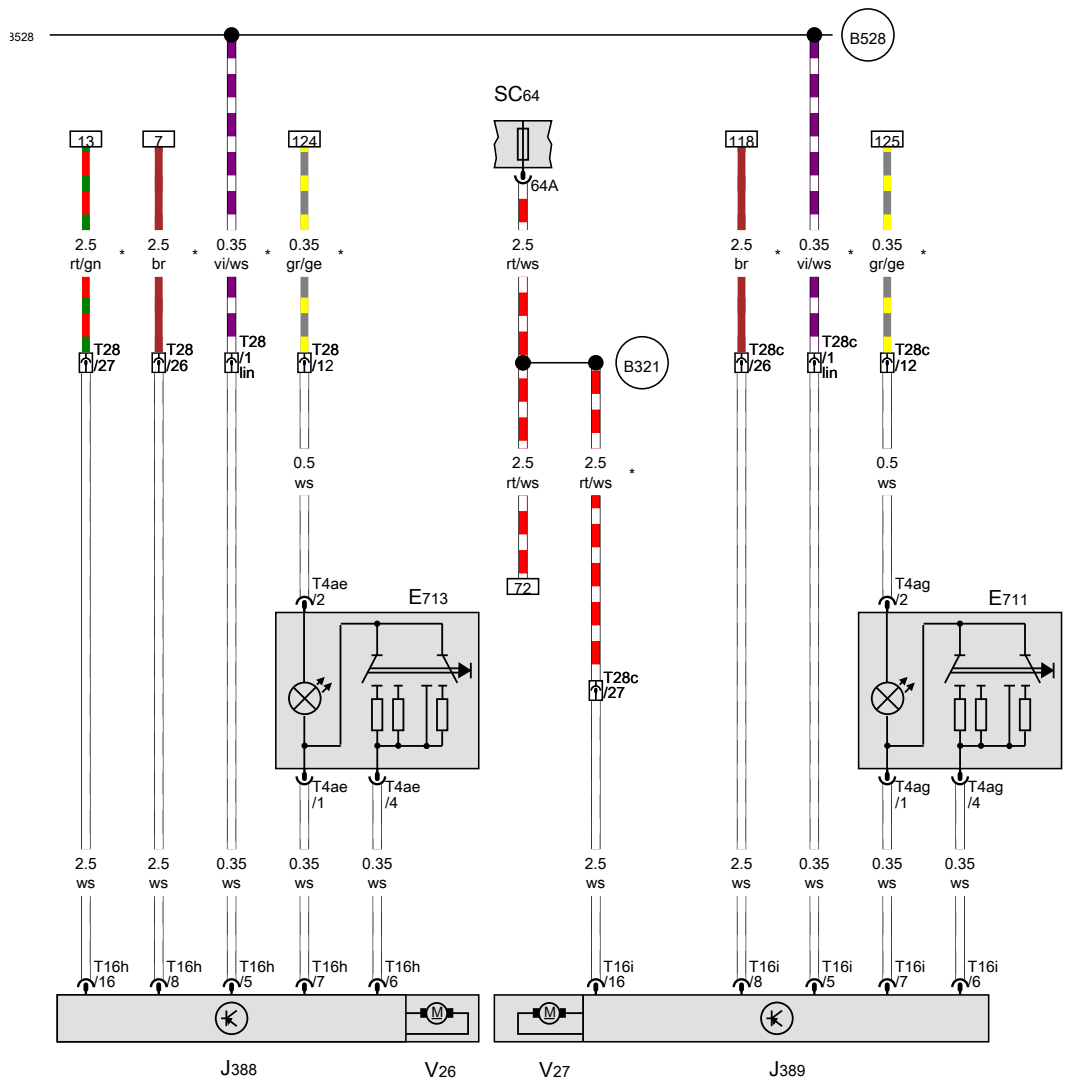
Switch and instrument illumination regulator

- E20 Switch and instrument illumination regulator
- T28a 28-pin connector, black, on left A-pillar
- T28b 28-pin connector, black, on right A-pillar

- 43 Earth point, lower part of right A-pillar
- 206 Earth connection, in front passenger door wiring harness
- 267 Earth connection 2, in drive side door wiring harness
- 367 Earth connection 2, in main wiring harness
- 373 Earth connection 8, in main wiring harness
- 378 Earth connection 13, in main wiring harness
- 735 Earth point in front right door
- B342 Connection 3 (58d), in main wiring harness
- B472 Connection 8, in main wiring harness
- B528 Connection 1 (LIN bus) in main wiring harness

- * For models with double cab
- *2 For models with dimmable instrument illumination
- *3 For models with no dimmable instrument illumination
- *4 According to equipment

- ws = white
- sw = black
- ro = red
- rt = red
- br = brown
- gn = green
- bl = blue
- gr = grey
- li = purple
- vi = purple
- ge = yellow
- or = orange
- rs = pink



Rear driver side window regulator button, Rear passenger side window regulator button, Rear left door control unit, Rear right door control unit, Fuse 64 on fuse holder C, Rear left window regulator motor, Rear right window regulator motor

- E711 Rear driver side window regulator button, in rear right door
- E713 Rear passenger side window regulator button, in rear left door
- J388 Rear left door control unit
- J389 Rear right door control unit
- SC64 Fuse 64 on fuse holder C
- T4ae 4-pin connector, black
- T4ag 4-pin connector, black
- T16h 16-pin connector, black
- T16i 16-pin connector, black
- T28 28-pin connector, black, on left B-pillar
- T28c 28-pin connector, black, on right B-pillar
- V26 Rear left window regulator motor
- V27 Rear right window regulator motor

(B321) Positive connection 7 (30a) in main wiring harness

(B528) Connection 1 (LIN bus) in main wiring harness

* For models with double cab

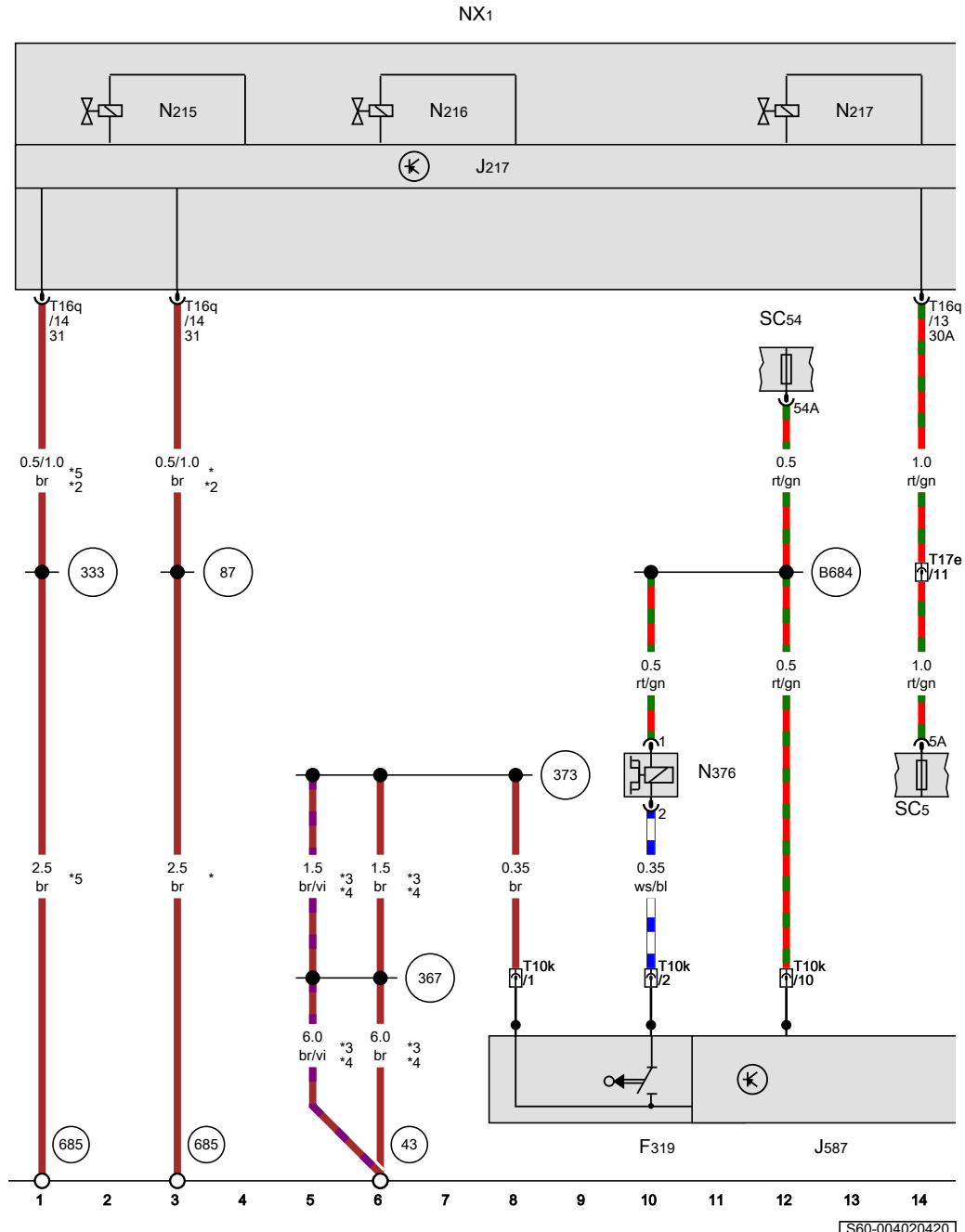
- ws = white
- sw = black
- ro = red
- rt = red
- br = brown
- gn = green
- bl = blue
- gr = grey
- li = purple
- vi = purple
- ge = yellow
- or = orange
- rs = pink

127 128 129 130 131 132 133 134 135 136 137 138 139 140

[S60-003111018]

8-speed automatic gearbox with Tiptronic , (G1G),(G1F)

From June 2016



Selector lever locked in position P switch, Selector lever sensors control unit, Gearbox, Ignition key withdrawal lock solenoid, Fuse 5 on fuse holder C, Fuse 54 on fuse holder C

- F319 Selector lever locked in position P switch
- J217 Automatic gearbox control unit, in gearbox
- J587 Selector lever sensors control unit
- NX1 Gearbox
- N215 Automatic gearbox pressure regulating valve 1
- N216 Automatic gearbox pressure regulating valve 2
- N217 Automatic gearbox pressure regulating valve 3
- N376 Ignition key withdrawal lock solenoid
- SC5 Fuse 5 on fuse holder C
- SC54 Fuse 54 on fuse holder C
- T10k 10-pin connector, black, in centre console, near handbrake lever
- T16q 16-pin connector, black
- T17e 17-pin connector, red, near handbrake lever

- 43 Earth point, lower part of right A-pillar
- 87 Earth connection 2, in rear wiring harness
- 333 Earth connection 5, in rear wiring harness
- 367 Earth connection 2, in main wiring harness
- 373 Earth connection 8, in main wiring harness
- 685 Earth point 1, on front of right longitudinal member
- 684 Positive connection 24 (30a) in main wiring harness

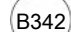
- * For models with 2.0l engine
- *2 Cross section depends on equipment
- *3 Wiring colour depends on equipment
- *4 see applicable current flow diagram for earthing concept
- *5 For models with 3.0l engine

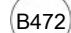
- ws = white
- sw = black
- ro = red
- rt = red
- br = brown
- gn = green
- bl = blue
- gr = grey
- li = purple
- vi = purple
- ge = yellow
- or = orange
- rs = pink

ГСА60-0040204201

Gear selector position P switch, Selector lever sensors control unit, Gearbox, Selector lever position display

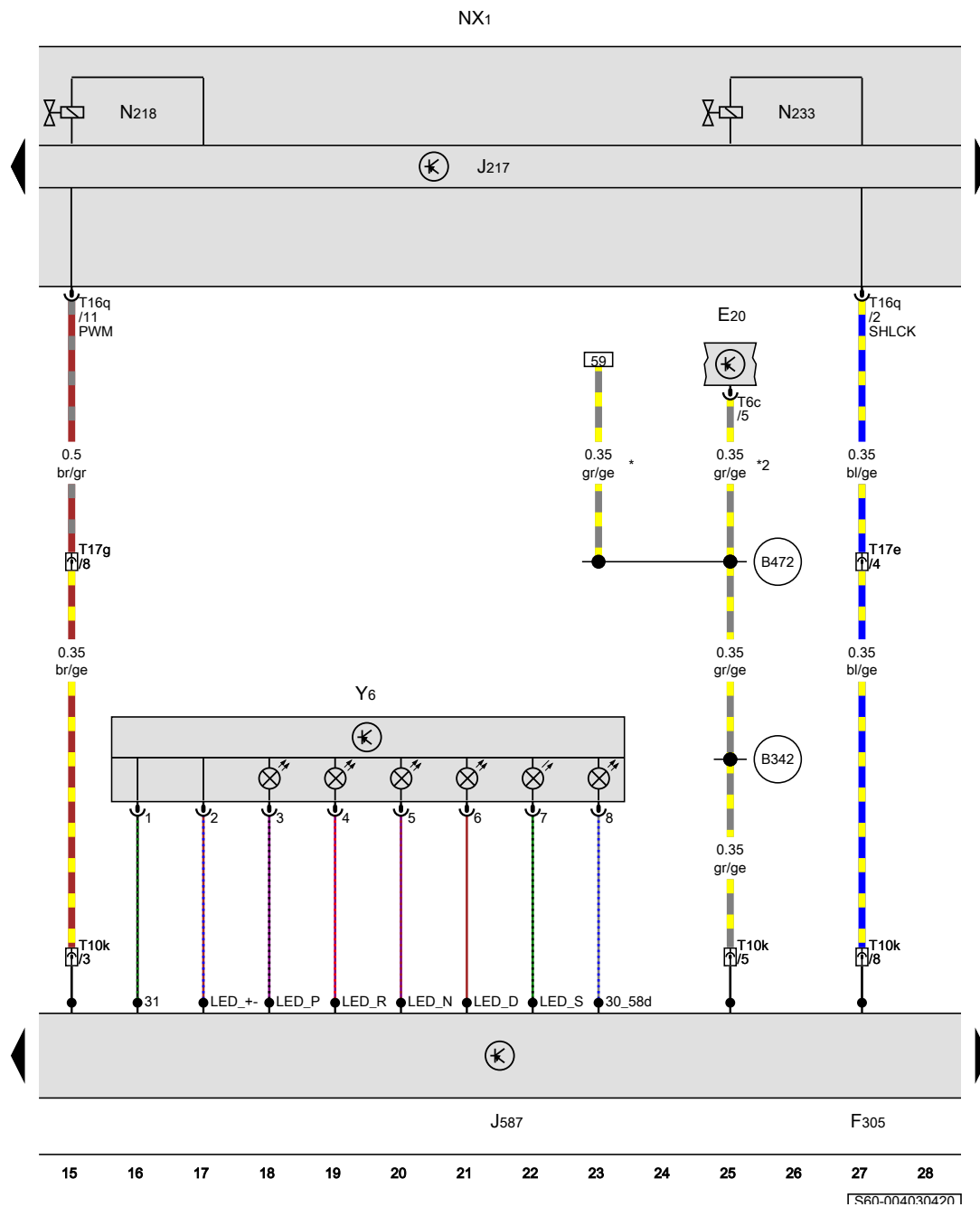
- E20 Switch and instrument illumination regulator
- F305 Gear selector position P switch
- J217 Automatic gearbox control unit, in gearbox
- J587 Selector lever sensors control unit
- NX1 Gearbox
- N218 Automatic gearbox pressure regulating valve 4
- N233 Automatic gearbox pressure regulating valve 5
- T6c 6-pin connector, black
- T10k 10-pin connector, black, in centre console, near handbrake lever
- T16q 16-pin connector, black
- T17e 17-pin connector, red, near handbrake lever
- T17g 17-pin connector, black, near handbrake lever
- Y6 Selector lever position display

 B342 Connection 3 (58d), in main wiring harness

 B472 Connection 8, in main wiring harness

* For models with no dimmable instrument illumination

*2 For models with dimmable instrument illumination



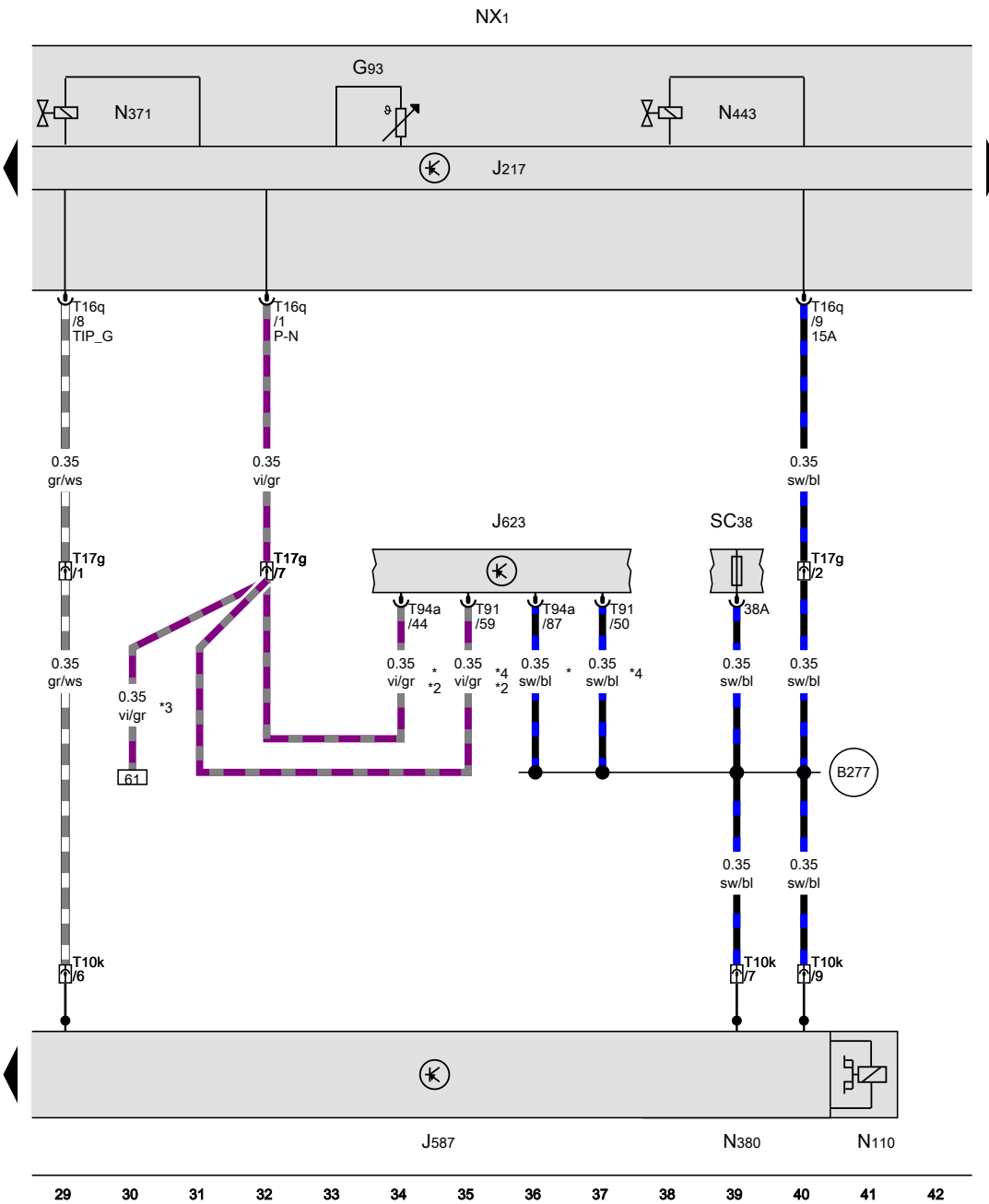
- ws = white
- sw = black
- ro = red
- rt = red
- br = brown
- gn = green
- bl = blue
- gr = grey
- li = purple
- vi = purple
- ge = yellow
- or = orange
- rs = pink

Selector lever sensors control unit, Engine/motor control unit, Gearbox, Selector lever lock solenoid, Selector lever position P solenoid, Fuse 38 on fuse holder C

- G93 Gearbox oil temperature sender
- J217 Automatic gearbox control unit, in gearbox
- J587 Selector lever sensors control unit
- J623 Engine/motor control unit
- NX1 Gearbox
- N110 Selector lever lock solenoid
- N371 Automatic gearbox pressure regulating valve 6
- N380 Selector lever position P solenoid
- N443 Automatic gearbox pressure regulating valve 7
- SC38 Fuse 38 on fuse holder C
- T10k 10-pin connector, black, in centre console, near handbrake lever
- T16q 16-pin connector, black
- T17g 17-pin connector, black, near handbrake lever
- T91 91-pin connector, black
- T94a 94-pin connector, black

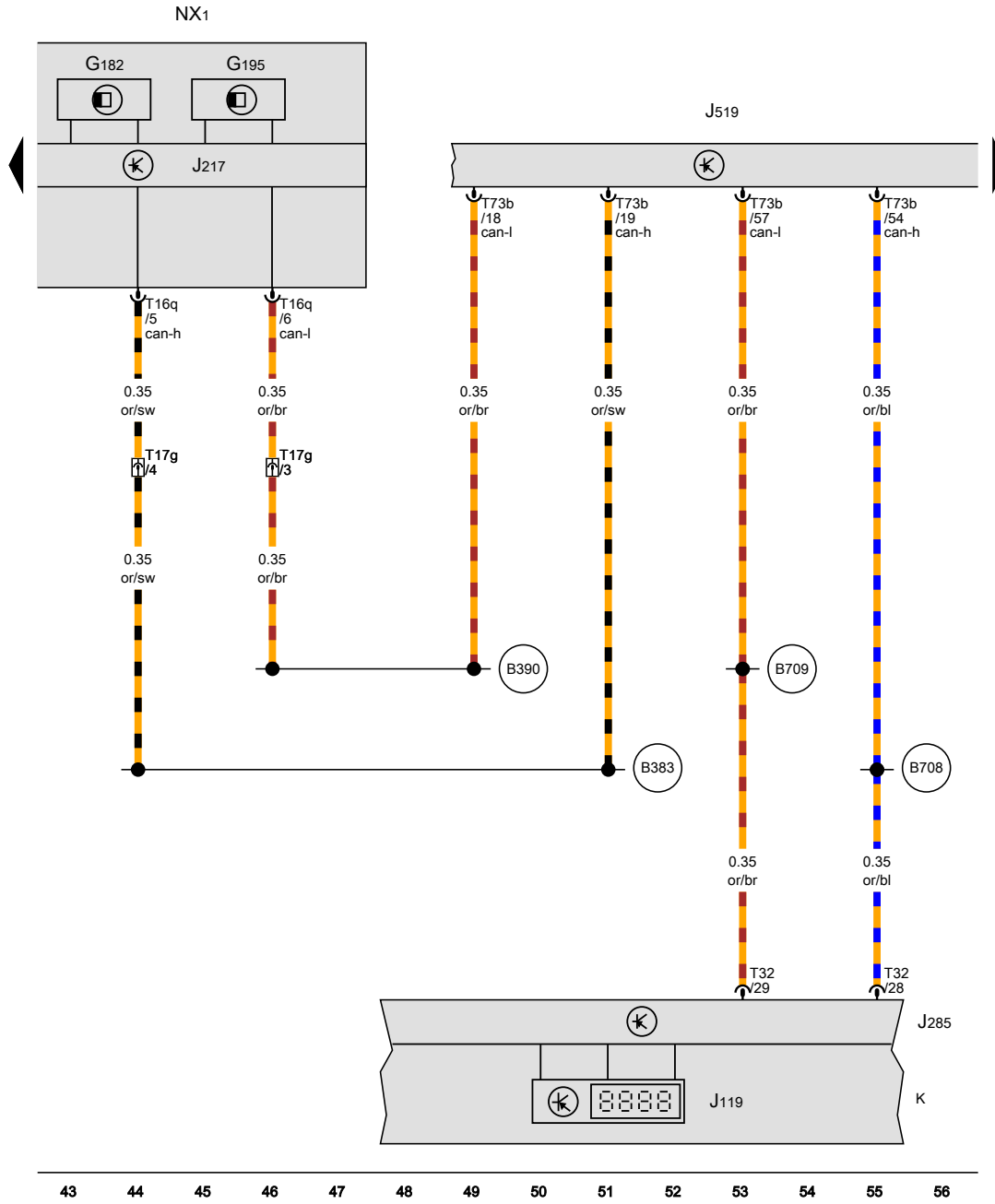
B277 Positive connection 1 (15a) in main wiring harness

- * For models with 2.0l engine
- *2 For models with start/stop system
- *3 For models with no start/stop system
- *4 For models with 3.0l engine







- ws = white
- sw = black
- ro = red
- rt = red
- br = brown
- gn = green
- bl = blue
- gr = grey
- li = purple
- vi = purple
- ge = yellow
- or = orange
- rs = pink

1S60-0040404201



Onboard supply control unit, Dash panel insert, Gearbox

- G182 Gearbox input speed sender
- G195 Gearbox output speed sender
- J119 Multifunction indicator
- J217 Automatic gearbox control unit, in gearbox
- J285 Control unit in dash panel insert
- J519 Onboard supply control unit
- K Dash panel insert
- NX1 Gearbox
- T16q 16-pin connector, black
- T17g 17-pin connector, black, near handbrake lever
- T32 32-pin connector, blue
- T73b 73-pin connector, colourless

-  B383 Connection 1 (powertrain CAN bus, high), in main wiring harness
-  B390 Connection 1 (powertrain CAN bus, low), in main wiring harness
-  B708 Connection 1 (dash panel insert CAN bus high) in main wiring harness
-  B709 Connection 1 (dash panel insert CAN bus low) in main wiring harness

- ws = white
- sw = black
- ro = red
- rt = red
- br = brown
- gn = green
- bl = blue
- gr = grey
- li = purple
- vi = purple
- ge = yellow
- or = orange
- rs = pink

43 44 45 46 47 48 49 50 51 52 53 54 55 56

1S60-0040504201

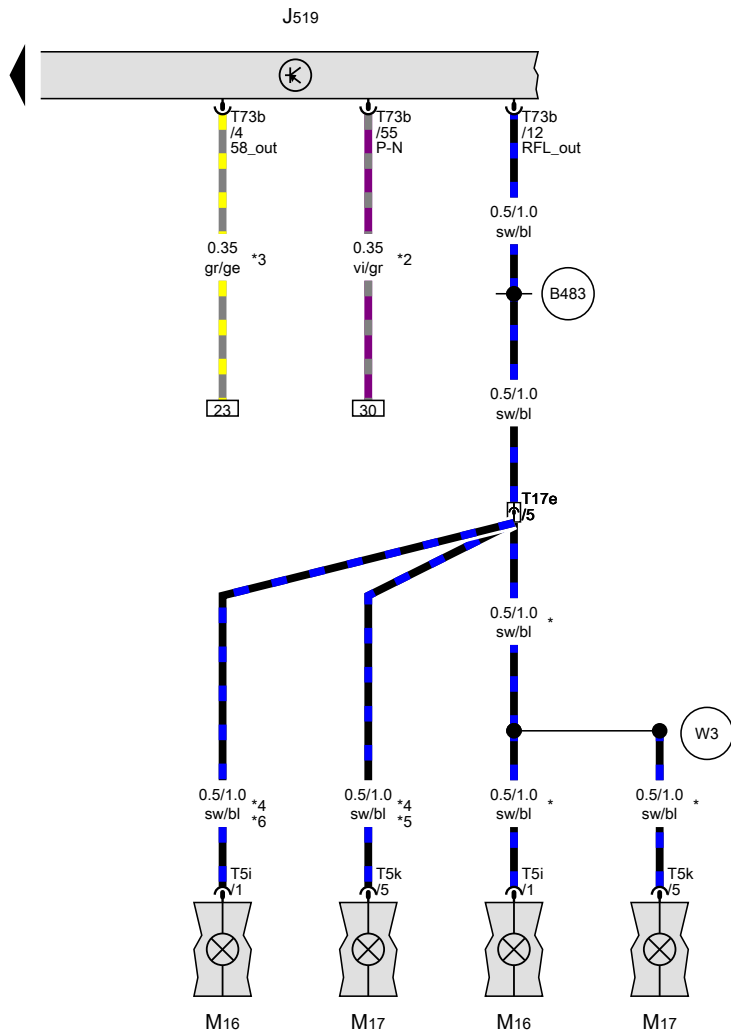
Onboard supply control unit, Left reversing light bulb, Right reversing light bulb

- J519 Onboard supply control unit
- M16 Left reversing light bulb
- M17 Right reversing light bulb
- T5i 5-pin connector, black
- T5k 5-pin connector, black
- T17e 17-pin connector, red, near handbrake lever
- T73b 73-pin connector, colourless

(B483) Connection 19, in main wiring harness

(W3) Connection in rear wiring harness

- * For models with no rear fog light
- *2 For models with no start/stop system
- *3 For models with no dimmable instrument illumination
- *4 For models with rear fog light
- *5 For right-hand drive models
- *6 For left-hand drive models



- ws = white
- sw = black
- ro = red
- rt = red
- br = brown
- gn = green
- bl = blue
- gr = grey
- li = purple
- vi = purple
- ge = yellow
- or = orange
- rs = pink

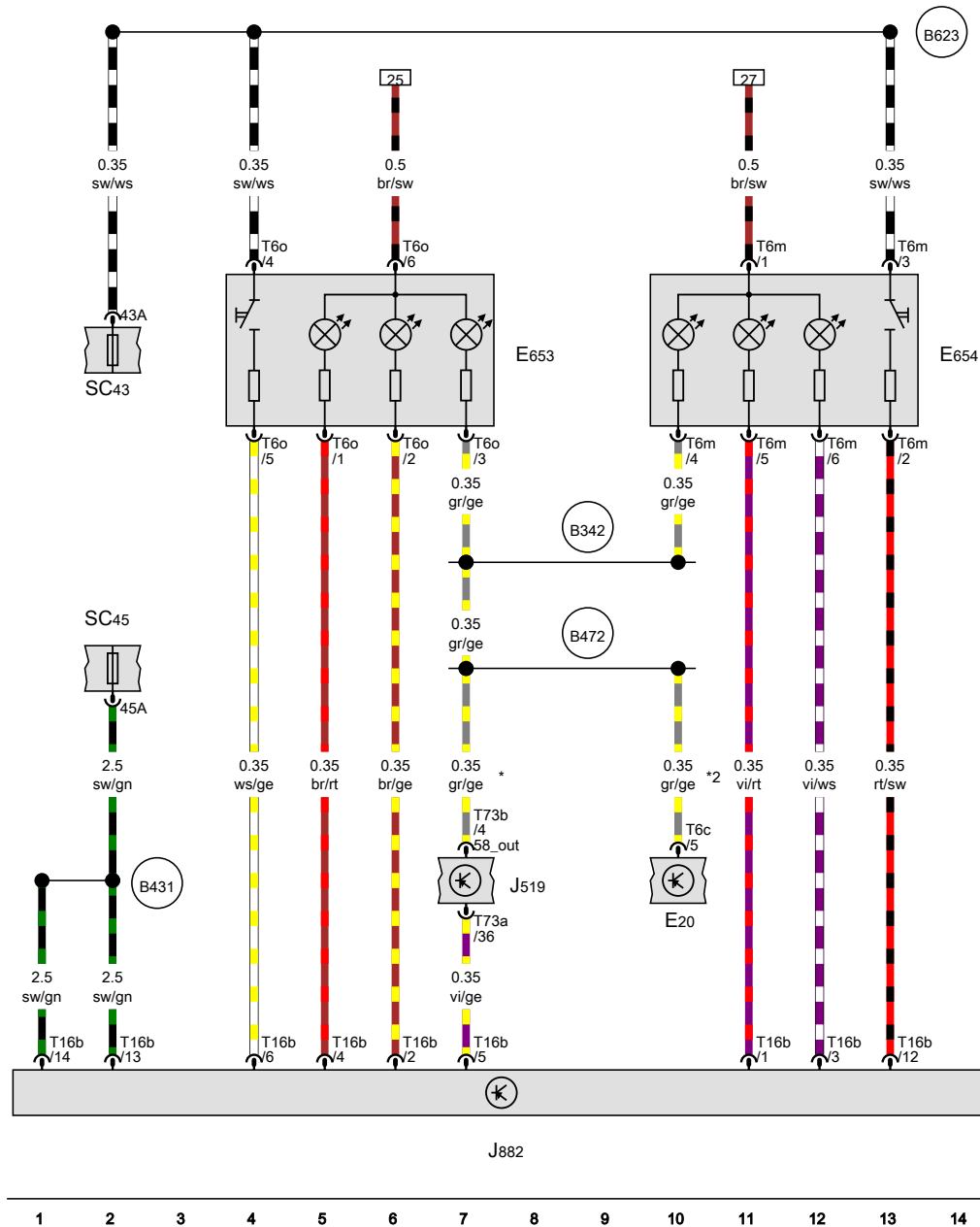
57 58 59 60 61 62 63 64 65 66 67 68 69 70

1560-0040604201

Seat heating , (3L3)

From June 2016

Button for left seat heating, Button for right seat heating, Onboard supply control unit, Seat heating control unit, Fuse 43 on fuse holder C, Fuse 45 on fuse holder C



- E20 Switch and instrument illumination regulator
- E653 Button for left seat heating
- E654 Button for right seat heating
- J519 Onboard supply control unit
- J882 Seat heating control unit
- SC43 Fuse 43 on fuse holder C
- SC45 Fuse 45 on fuse holder C
- T6c 6-pin connector, black
- T6m 6-pin connector, white
- T6o 6-pin connector, white
- T16b 16-pin connector, black
- T73a 73-pin connector, black
- T73b 73-pin connector, colourless
- B342 Connection 3 (58d), in main wiring harness
- B431 Connection (seat heating), in main wiring harness
- B472 Connection 8, in main wiring harness
- B623 Connection 1 (75x), in main wiring harness
- * For models with no dimmable instrument illumination
- *2 For models with dimmable instrument illumination

- ws = white
- sw = black
- ro = red
- rt = red
- br = brown
- gn = green
- bl = blue
- gr = grey
- li = purple
- vi = purple
- ge = yellow
- or = orange
- rs = pink

Seat heating control unit, Heated seat cushion for driver seat, Heated seat cushion for front passenger seat

- J882 Seat heating control unit
- T2bk 2-pin connector, black, in seat
- T2bl 2-pin connector, black, in seat
- T2bt 2-pin connector, black, under seat on front left
- T2bu 2-pin connector, black, under seat on front right
- T16b 16-pin connector, black
- Z6 Heated seat cushion for driver seat
- Z7 Heated backrest for driver seat
- Z8 Heated seat cushion for front passenger seat
- Z9 Heated backrest for front passenger seat

43 Earth point, lower part of right A-pillar

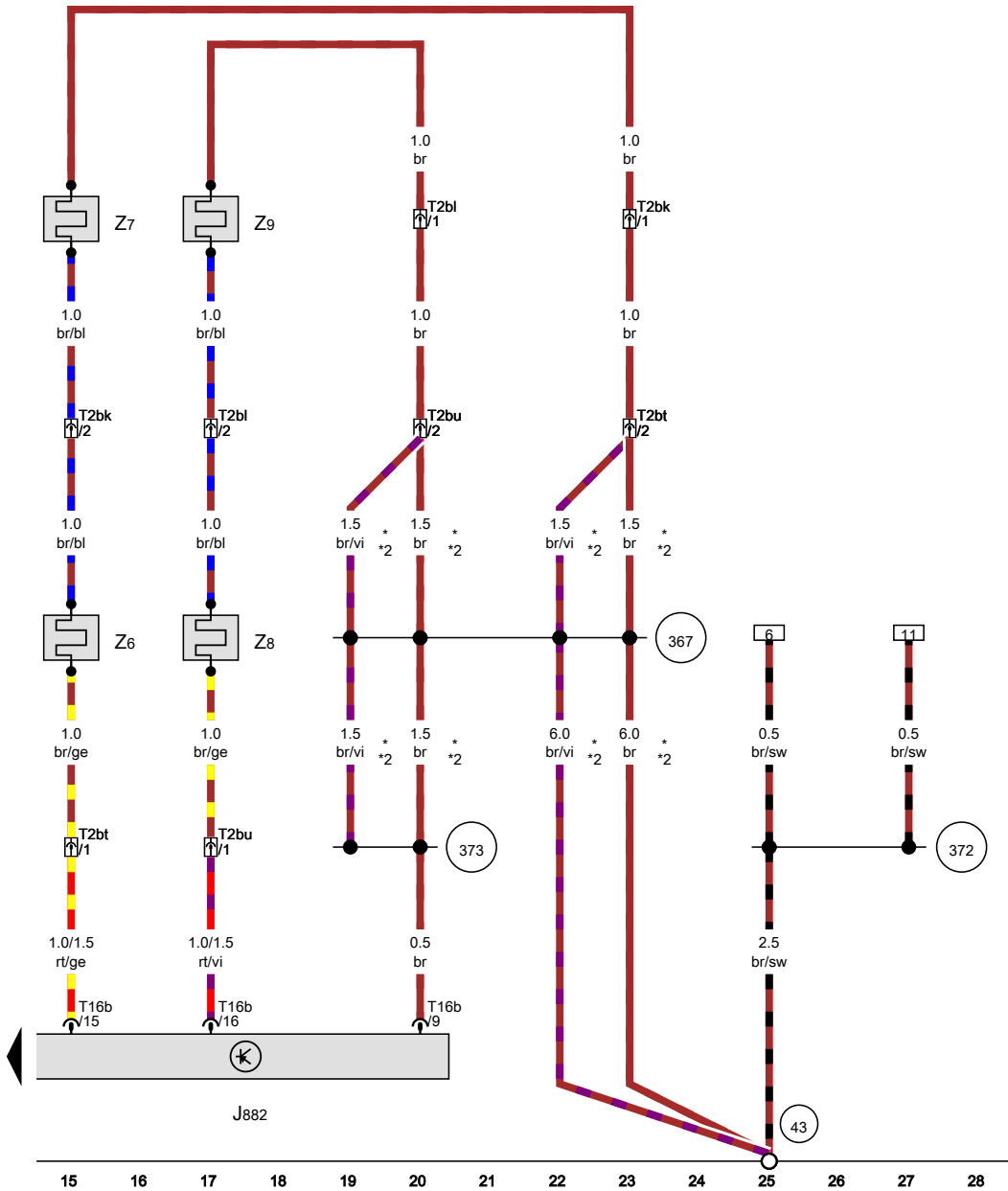
367 Earth connection 2, in main wiring harness

372 Earth connection 7, in main wiring harness

373 Earth connection 8, in main wiring harness

* Wiring colour depends on equipment

*2 see applicable current flow diagram for earthing concept



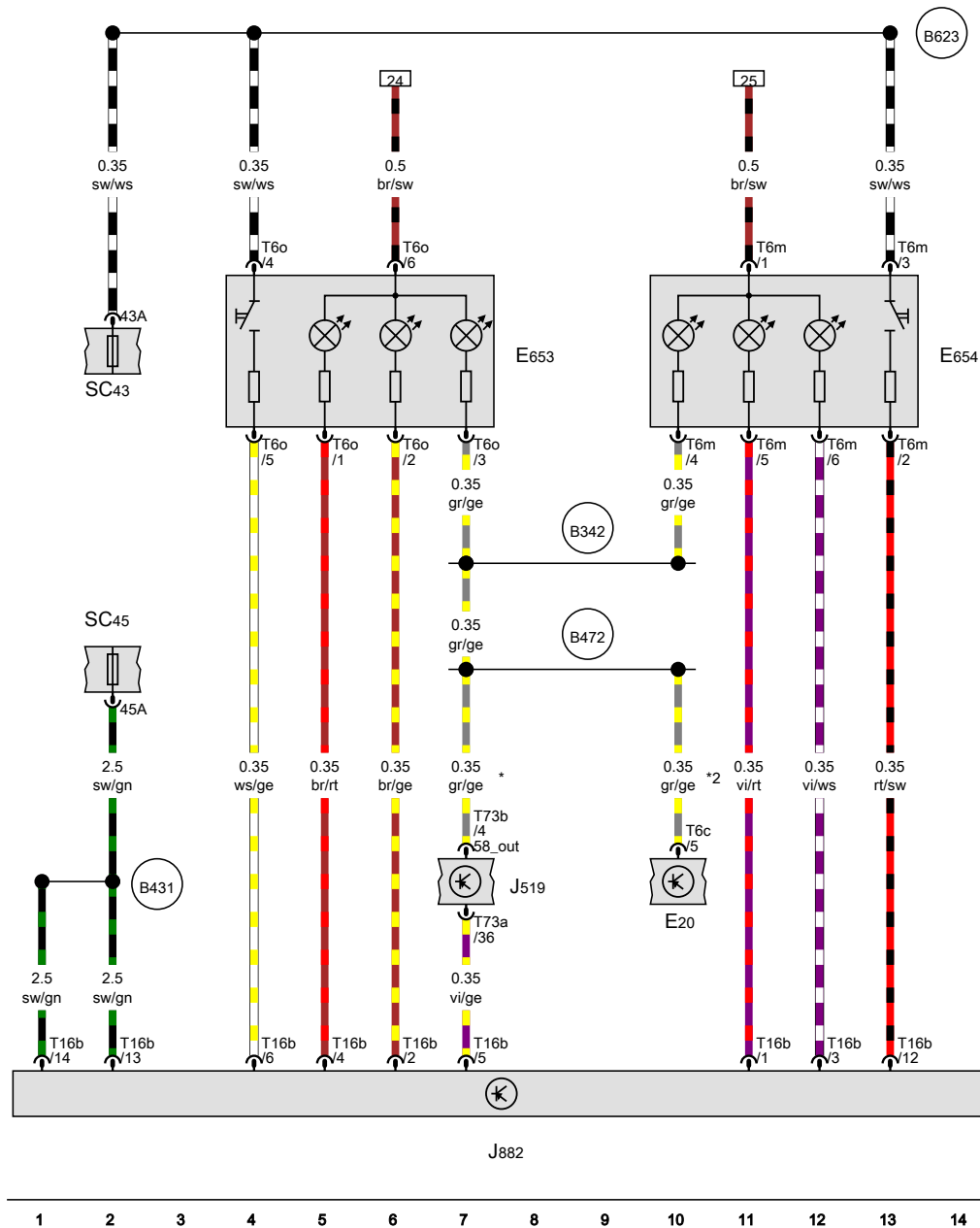
- ws = white
- sw = black
- ro = red
- rt = red
- br = brown
- gn = green
- bl = blue
- gr = grey
- li = purple
- vi = purple
- ge = yellow
- or = orange
- rs = pink

[S60-005031018]

Seat heating , (3L5)

From June 2016

Button for left seat heating, Button for right seat heating, Onboard supply control unit, Seat heating control unit, Fuse 43 on fuse holder C, Fuse 45 on fuse holder C



- E20 Switch and instrument illumination regulator
- E653 Button for left seat heating
- E654 Button for right seat heating
- J519 Onboard supply control unit
- J882 Seat heating control unit
- SC43 Fuse 43 on fuse holder C
- SC45 Fuse 45 on fuse holder C
- T6c 6-pin connector, black
- T6m 6-pin connector, white
- T6o 6-pin connector, white
- T16b 16-pin connector, black
- T73a 73-pin connector, black
- T73b 73-pin connector, colourless

B342 Connection 3 (58d), in main wiring harness

B431 Connection (seat heating), in main wiring harness

B472 Connection 8, in main wiring harness

B623 Connection 1 (75x), in main wiring harness

* For models with no dimmable instrument illumination

*2 For models with dimmable instrument illumination

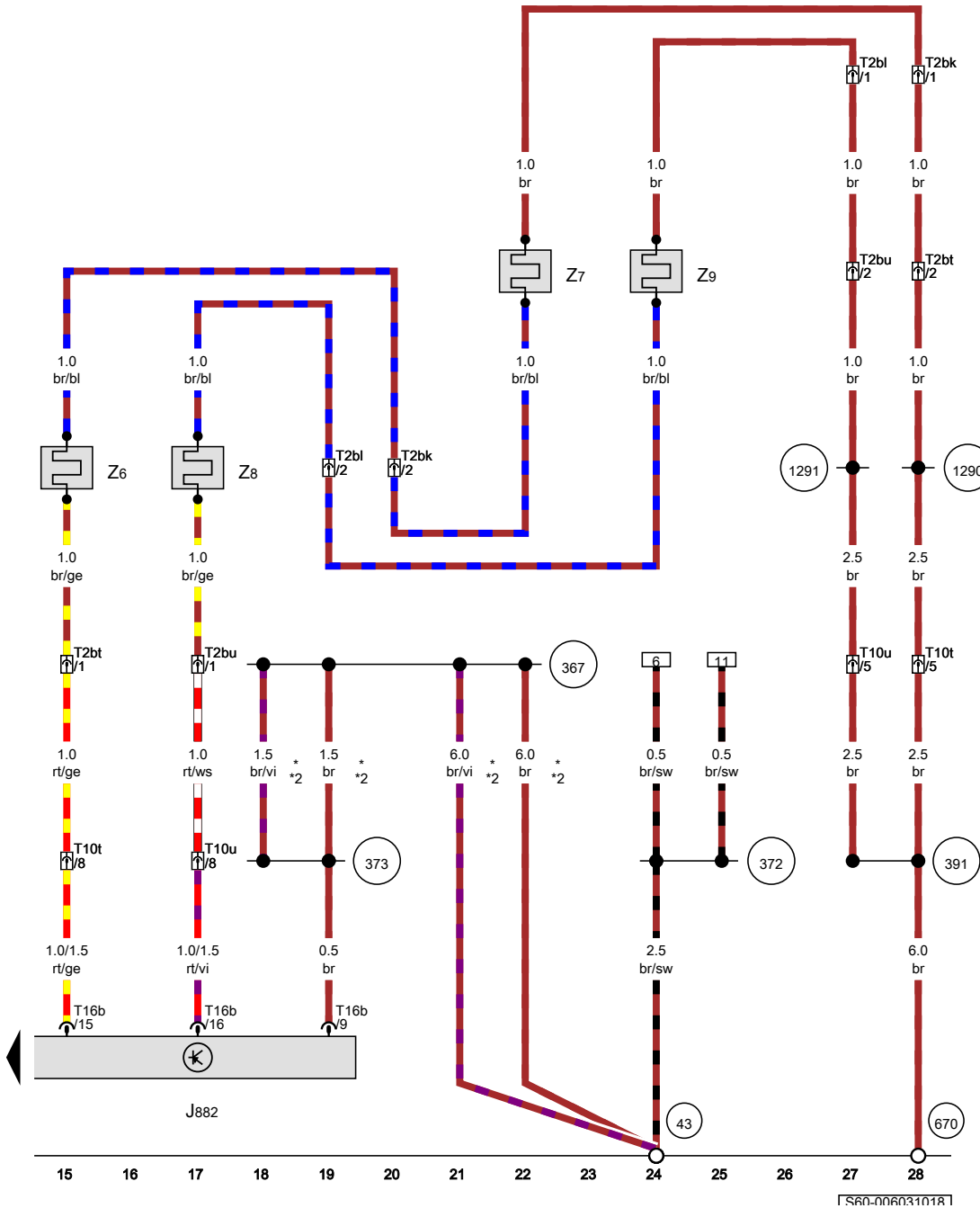
- ws = white
- sw = black
- ro = red
- rt = red
- br = brown
- gn = green
- bl = blue
- gr = grey
- li = purple
- vi = purple
- ge = yellow
- or = orange
- rs = pink

Seat heating control unit, Heated seat cushion for driver seat, Heated seat cushion for front passenger seat

- J882 Seat heating control unit
- T2bk 2-pin connector, black, in seat
- T2bl 2-pin connector, black, in seat
- T2bt 2-pin connector, black, under seat on front left
- T2bu 2-pin connector, black, under seat on front right
- T10t 10-pin connector, black, under seat on front left
- T10u 10-pin connector, black, under seat on front right
- T16b 16-pin connector, black
- Z6 Heated seat cushion for driver seat
- Z7 Heated backrest for driver seat
- Z8 Heated seat cushion for front passenger seat
- Z9 Heated backrest for front passenger seat

- 43 Earth point, lower part of right A-pillar
- 367 Earth connection 2, in main wiring harness
- 372 Earth connection 7, in main wiring harness
- 373 Earth connection 8, in main wiring harness
- 391 Earth connection 26, in main wiring harness
- 670 Earth point 2, left A-pillar
- 1290 Earth connection 1, in front left seat wiring harness
- 1291 Earth connection 1, in front right seat wiring harness
- * Wiring colour depends on equipment
- *2 see applicable current flow diagram for earthing concept

- ws = white
- sw = black
- ro = red
- rt = red
- br = brown
- gn = green
- bl = blue
- gr = grey
- li = purple
- vi = purple
- ge = yellow
- or = orange
- rs = pink

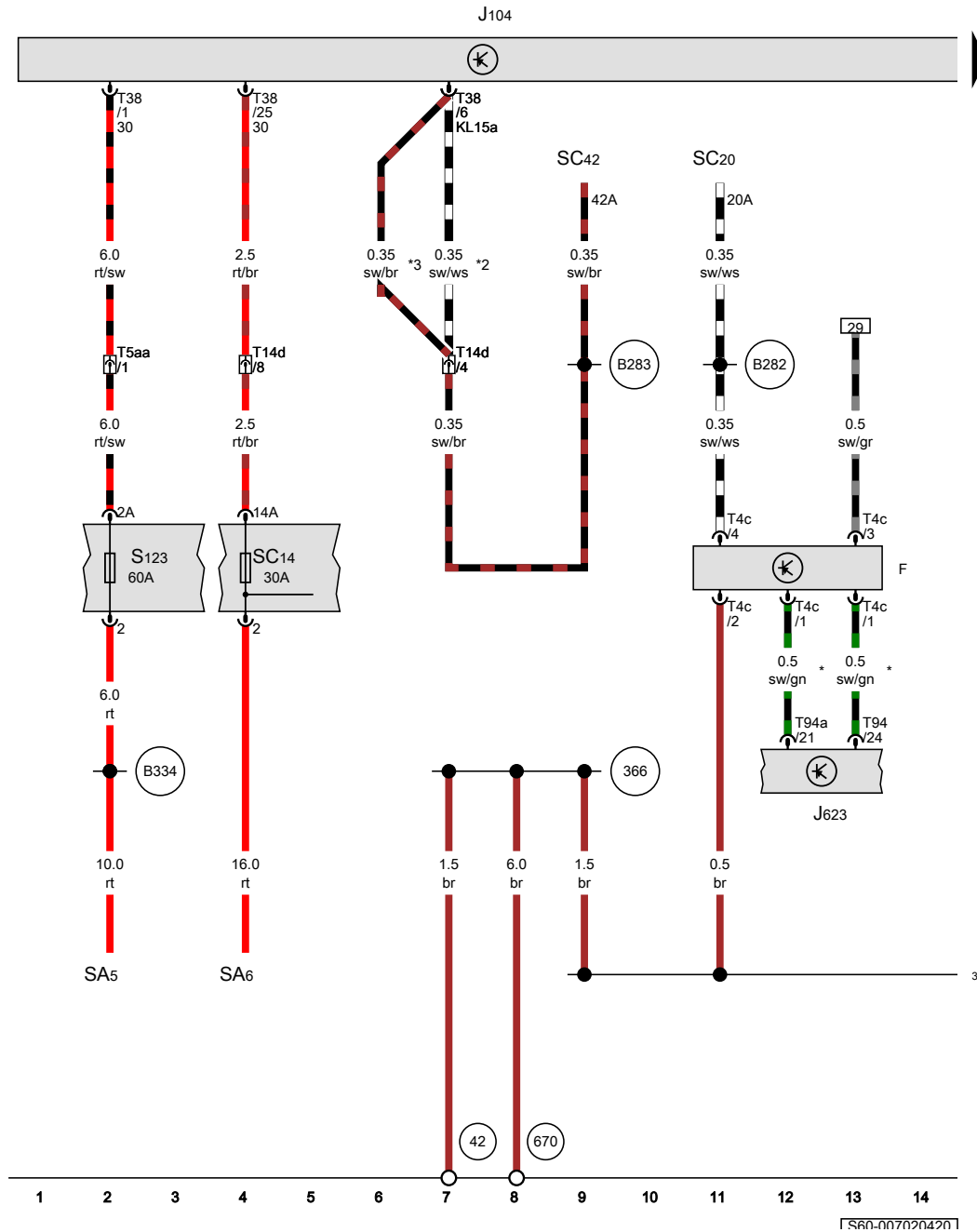


1560-006031018

**Anti-lock brake system (ABS) with electronic differential lock (EDL) and traction control system (TCS) ,
CFPA,CNEA,CNEB,CNFB,CSHA**

From June 2016

Brake light switch, ABS control unit, Fuse 14 on fuse holder C, ABS control unit fuse 1

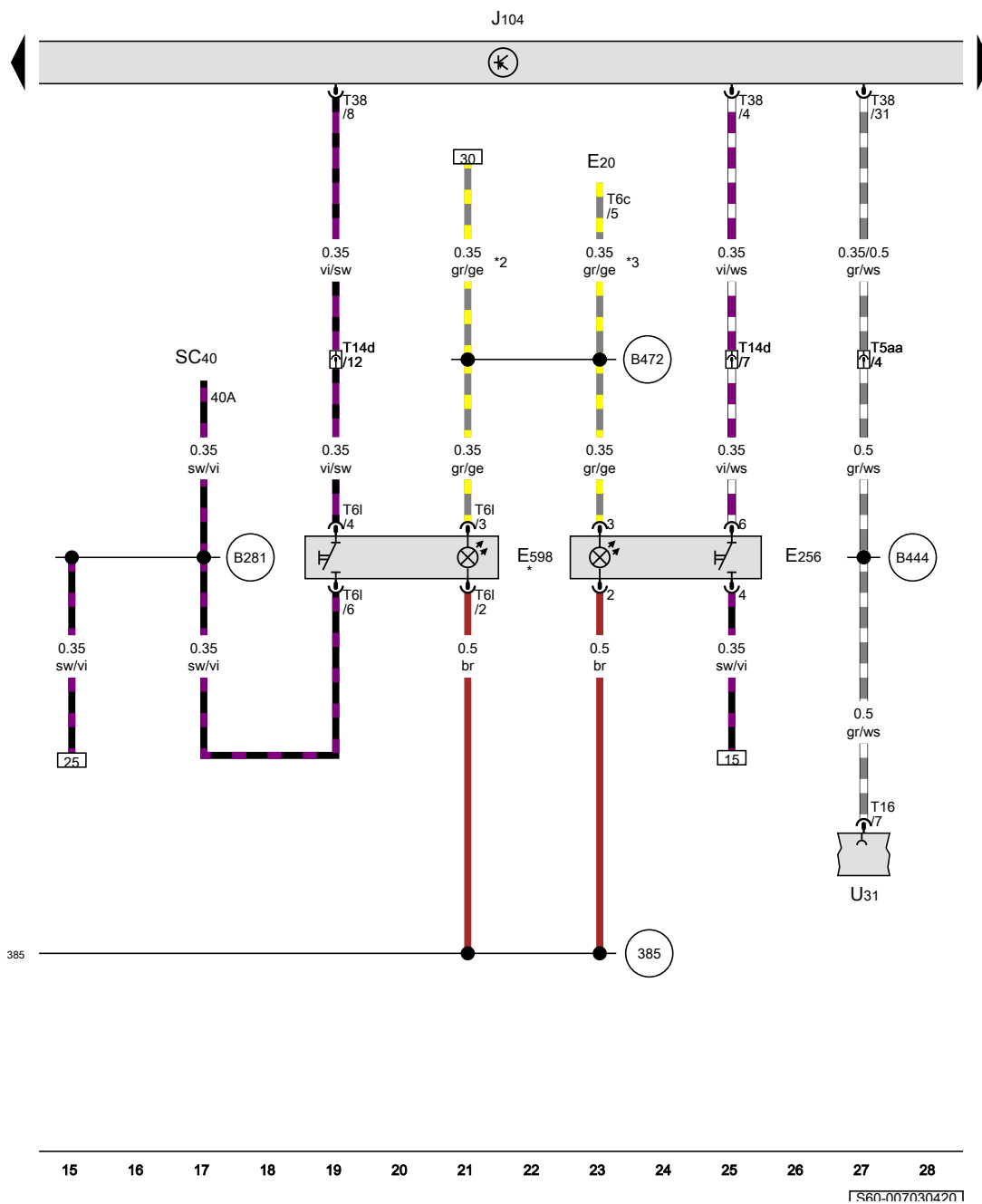


- F Brake light switch
- J104 ABS control unit
- J623 Engine/motor control unit
- SA5 Fuse 5 on fuse holder A
- SA6 Fuse 6 on fuse holder A
- SC14 Fuse 14 on fuse holder C
- SC20 Fuse 20 on fuse holder C
- SC42 Fuse 42 on fuse holder C
- S123 ABS control unit fuse 1, next to steering column
- T4c 4-pin connector, black
- T5aa 5-pin connector, black, near battery
- T14d 14-pin connector, black, near battery
- T38 38-pin connector, black
- T94 94-pin connector, black
- T94a 94-pin connector, black

- 42 Earth point, next to steering column
- 366 Earth connection 1, in main wiring harness
- 385 Earth connection 20, in main wiring harness
- 670 Earth point 2, left A-pillar
- B282 Positive connection 6 (15a) in main wiring harness
- B283 Positive connection 7 (15a) in main wiring harness
- B334 Positive connection 20 (30a) in main wiring harness

* see applicable current flow diagram for engine
 *2 Up to February 2020
 *3 From February 2020

ws = white
 sw = black
 ro = red
 rt = red
 br = brown
 gn = green
 bl = blue
 gr = grey
 li = purple
 vi = purple
 ge = yellow
 or = orange
 rs = pink



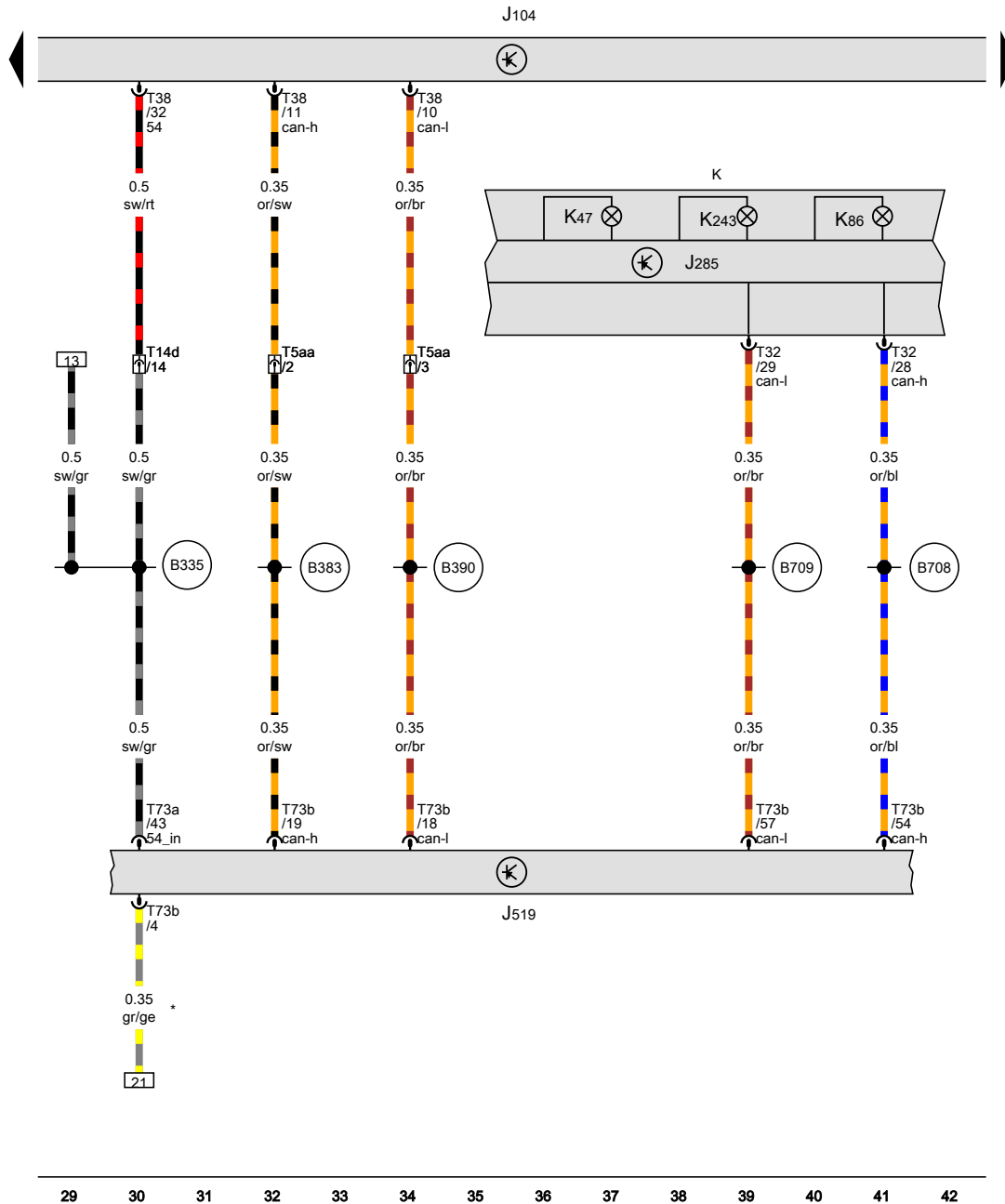
Button for TCS and electronic stabilisation program, Driving program button, ABS control unit, Fuse 40 on fuse holder C, Diagnostic connection

- E20 Switch and instrument illumination regulator
- E256 Button for TCS and electronic stabilisation program
- E598 Driving program button
- J104 ABS control unit
- SC40 Fuse 40 on fuse holder C
- T5aa 5-pin connector, black, near battery
- T6c 6-pin connector, black
- T6l 6-pin connector, red
- T14d 14-pin connector, black, near battery
- T16 16-pin connector, black
- T38 38-pin connector, black
- U31 Diagnostic connection

- 385 Earth connection 20, in main wiring harness
- B281 Positive connection 5 (15a) in main wiring harness
- B444 Connection 1 (diagnosis), in main wiring harness
- B472 Connection 8, in main wiring harness
- * According to equipment
- *2 For models with no dimmable instrument illumination
- *3 For models with dimmable instrument illumination

- ws = white
- sw = black
- ro = red
- rt = red
- br = brown
- gn = green
- bl = blue
- gr = grey
- li = purple
- vi = purple
- ge = yellow
- or = orange
- rs = pink

1560-0070304201

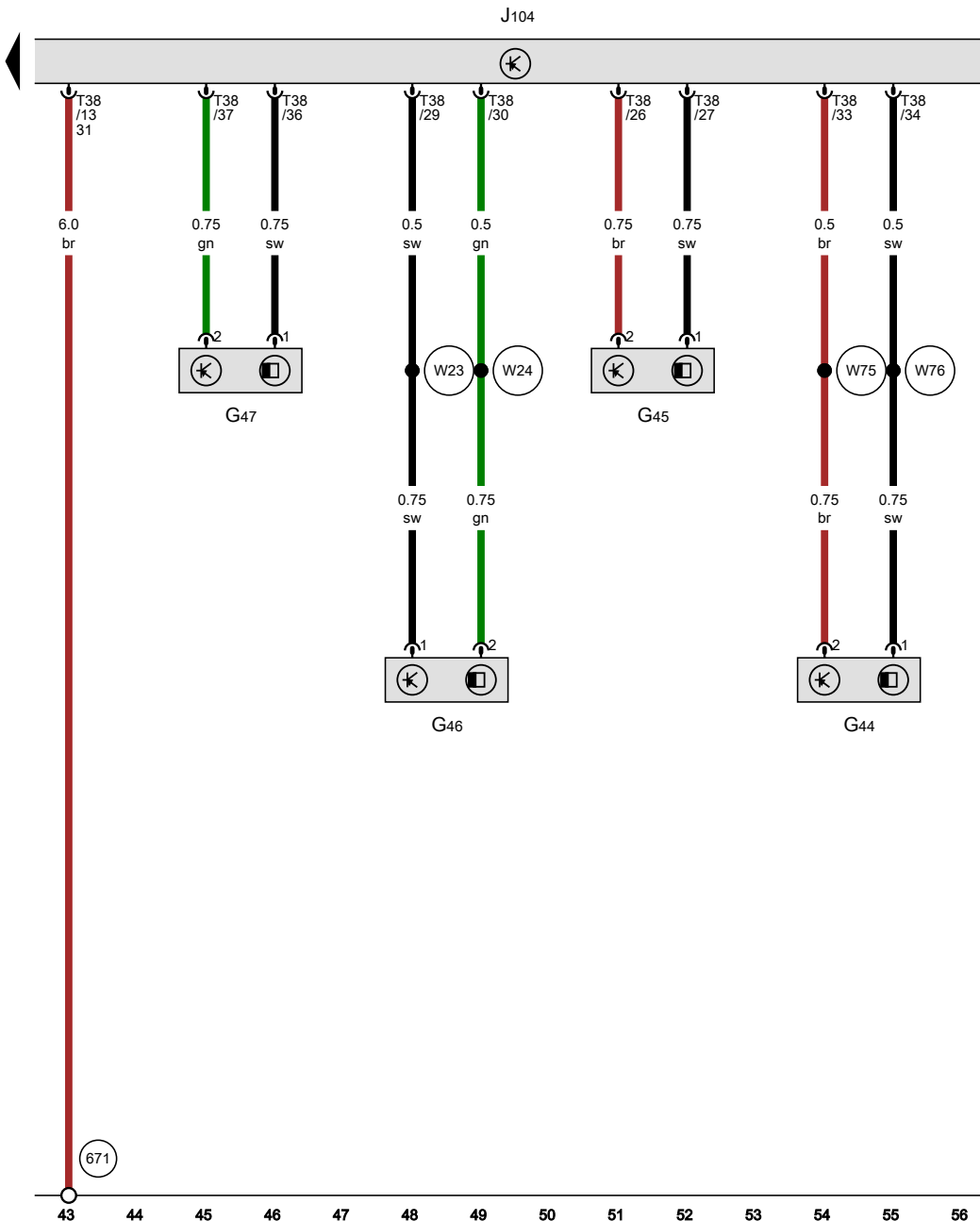


ABS control unit, Onboard supply control unit, Dash panel insert, ABS warning lamp, Traction control system warning lamp, Driving program warning lamp, Driving program warning light

- J104 ABS control unit
- J285 Control unit in dash panel insert
- J519 Onboard supply control unit
- K Dash panel insert
- K47 ABS warning lamp
- K86 Traction control system warning lamp
- K243 Driving program warning light
- T5aa 5-pin connector, black, near battery
- T14d 14-pin connector, black, near battery
- T32 32-pin connector, blue
- T38 38-pin connector, black
- T73a 73-pin connector, black
- T73b 73-pin connector, colourless

- (B335) Connection 1 (54), in main wiring harness
- (B383) Connection 1 (powertrain CAN bus, high), in main wiring harness
- (B390) Connection 1 (powertrain CAN bus, low), in main wiring harness
- (B708) Connection 1 (dash panel insert CAN bus high) in main wiring harness
- (B709) Connection 1 (dash panel insert CAN bus low) in main wiring harness

* For models with no dimmable instrument illumination



Rear right speed sensor, Front right speed sensor, Rear left speed sensor, Front left speed sensor, ABS control unit

- G44 Rear right speed sensor
- G45 Front right speed sensor
- G46 Rear left speed sensor
- G47 Front left speed sensor
- J104 ABS control unit
- T38 38-pin connector, black

- 671 Earth point 1, on front of left longitudinal member
- W23 Connection 1 (sensor), in rear wiring harness
- W24 Connection 2 (sensor), in rear wiring harness
- W75 Connection 3 (sensor), in rear wiring harness
- W76 Connection 4 (sensor), in rear wiring harness

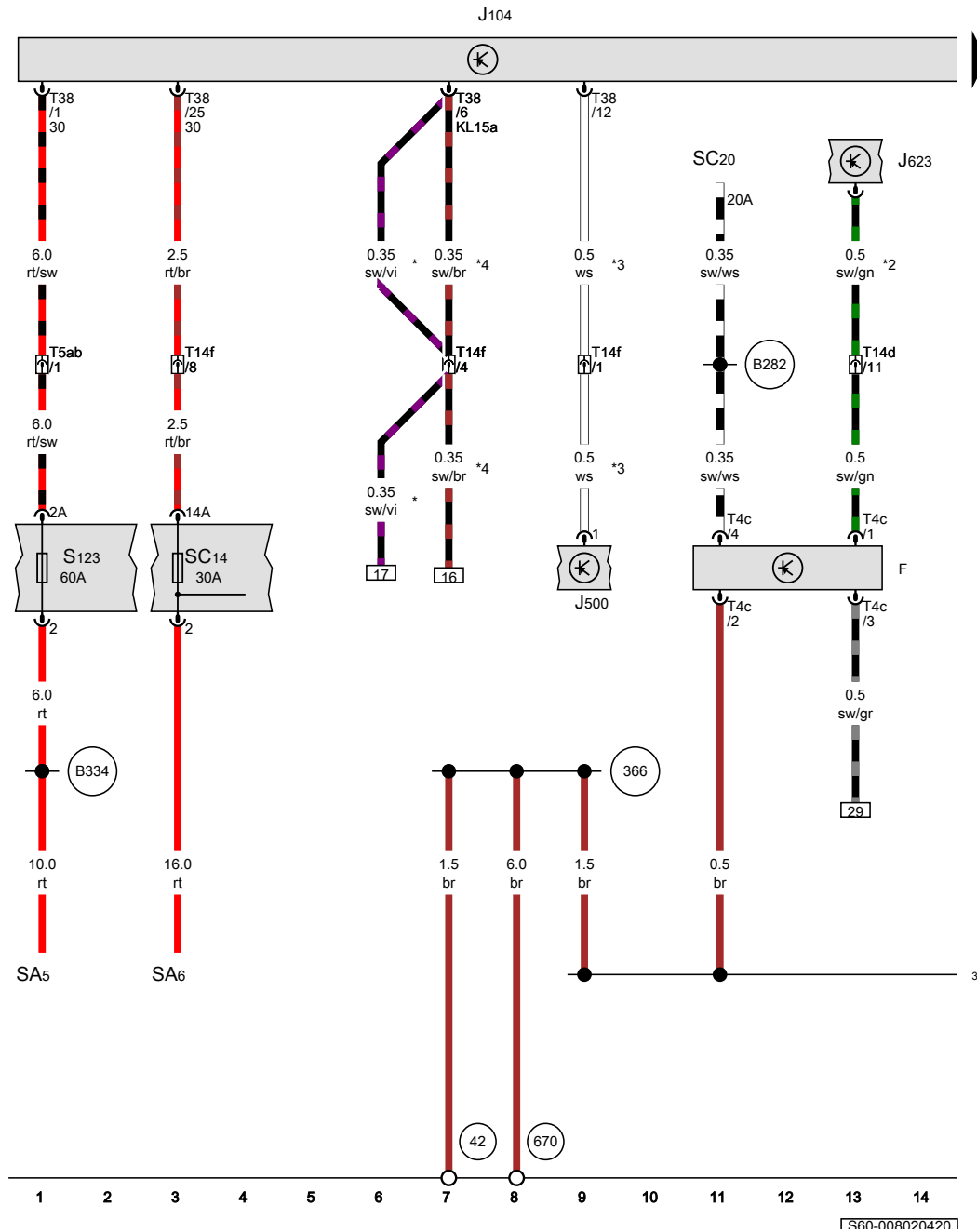
- ws = white
- sw = black
- ro = red
- rt = red
- br = brown
- gn = green
- bl = blue
- gr = grey
- li = purple
- vi = purple
- ge = yellow
- or = orange
- rs = pink

[S60-007050420]

**Anti-lock brake system (ABS) with electronic differential lock (EDL) and traction control system (TCS) ,
DDXA,DDXB,DDXC,DDXD,DDXE**

From June 2016

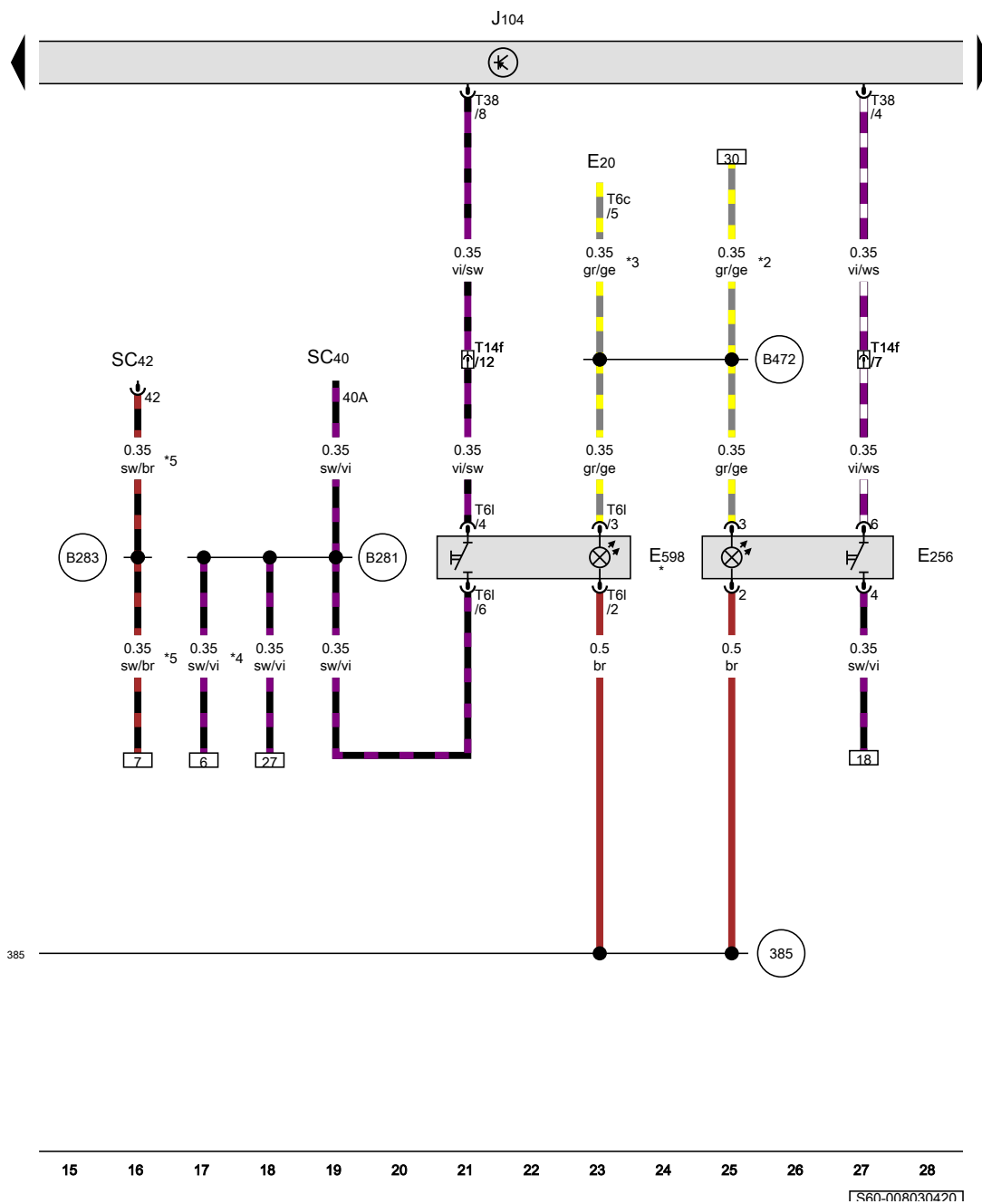
Brake light switch, ABS control unit, Power steering control unit, Fuse 14 on fuse holder C, ABS control unit fuse 1



- F Brake light switch
- J104 ABS control unit
- J500 Power steering control unit
- J623 Engine/motor control unit
- SA5 Fuse 5 on fuse holder A
- SA6 Fuse 6 on fuse holder A
- SC14 Fuse 14 on fuse holder C
- SC20 Fuse 20 on fuse holder C
- S123 ABS control unit fuse 1, next to steering column
- T4c 4-pin connector, black
- T5ab 5-pin connector, black, near right headlight
- T14d 14-pin connector, black, near battery
- T14f 14-pin connector, black, near right headlight
- T38 38-pin connector, black
- 42 Earth point, next to steering column
- 366 Earth connection 1, in main wiring harness
- 385 Earth connection 20, in main wiring harness
- 670 Earth point 2, left A-pillar
- B282 Positive connection 6 (15a) in main wiring harness
- B334 Positive connection 20 (30a) in main wiring harness
- * Up to February 2020
- *2 see applicable current flow diagram for engine
- *3 For models with speed-dependent power steering
- *4 From February 2020

- ws = white
- sw = black
- ro = red
- rt = red
- br = brown
- gn = green
- bl = blue
- gr = grey
- li = purple
- vi = purple
- ge = yellow
- or = orange
- rs = pink

1560-0080204201



Button for TCS and electronic stabilisation program, Driving program button, ABS control unit, Fuse 40 on fuse holder C, Fuse 42 on fuse holder C

- E20 Switch and instrument illumination regulator
- E256 Button for TCS and electronic stabilisation program
- E598 Driving program button
- J104 ABS control unit
- SC40 Fuse 40 on fuse holder C
- SC42 Fuse 42 on fuse holder C
- T6c 6-pin connector, black
- T6l 6-pin connector, red
- T14f 14-pin connector, black, near right headlight
- T38 38-pin connector, black

- 385 Earth connection 20, in main wiring harness
- B281 Positive connection 5 (15a) in main wiring harness
- B283 Positive connection 7 (15a) in main wiring harness
- B472 Connection 8, in main wiring harness

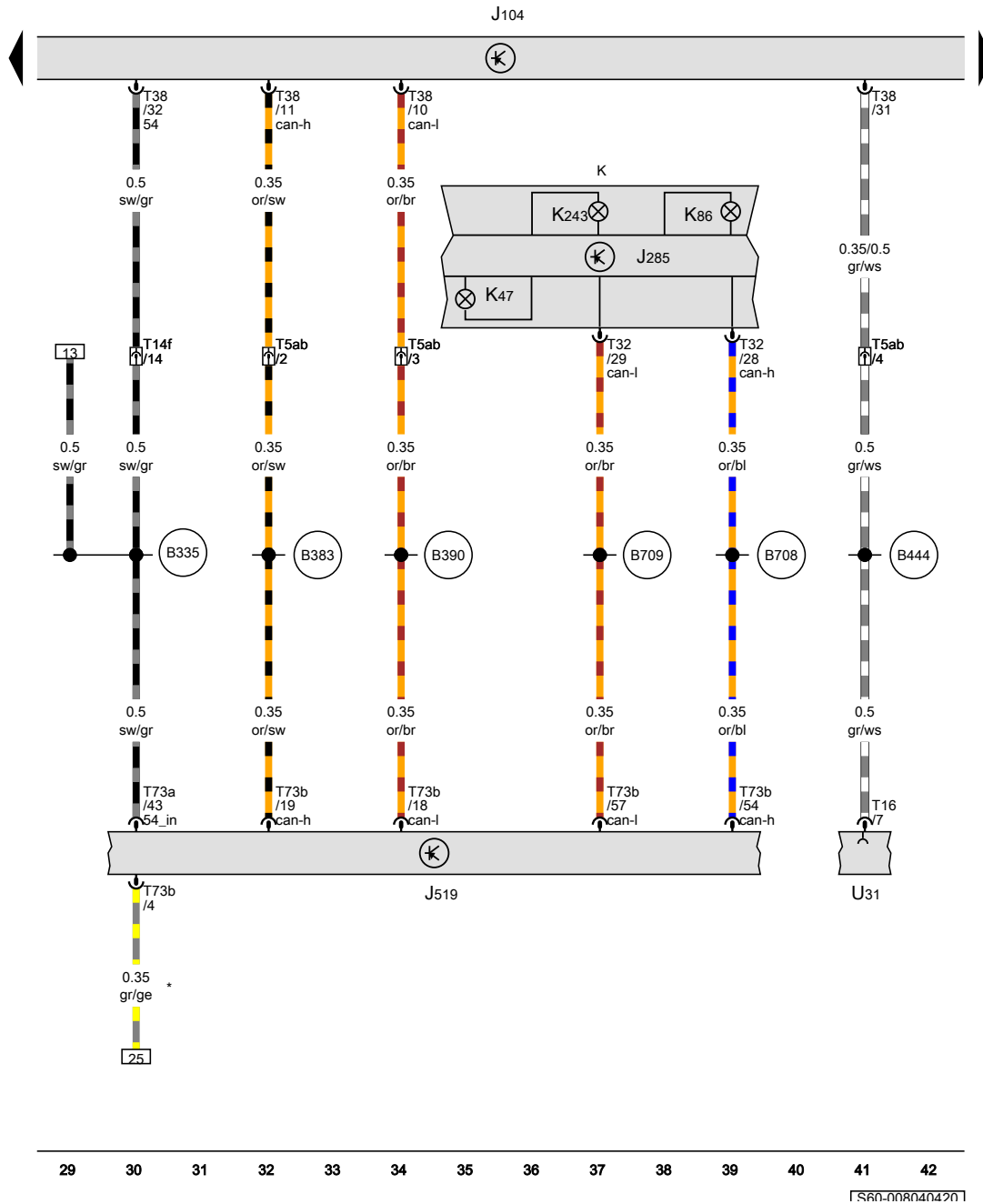
- * According to equipment
- *2 For models with no dimmable instrument illumination
- *3 For models with dimmable instrument illumination
- *4 Up to February 2020
- *5 From February 2020

- ws = white
- sw = black
- ro = red
- rt = red
- br = brown
- gn = green
- bl = blue
- gr = grey
- li = purple
- vi = purple
- ge = yellow
- or = orange
- rs = pink

385

15 16 17 18 19 20 21 22 23 24 25 26 27 28

[S60-008030420]



ABS control unit, Onboard supply control unit, Dash panel insert, ABS warning lamp, Traction control system warning lamp, Driving program warning light, Diagnostic connection

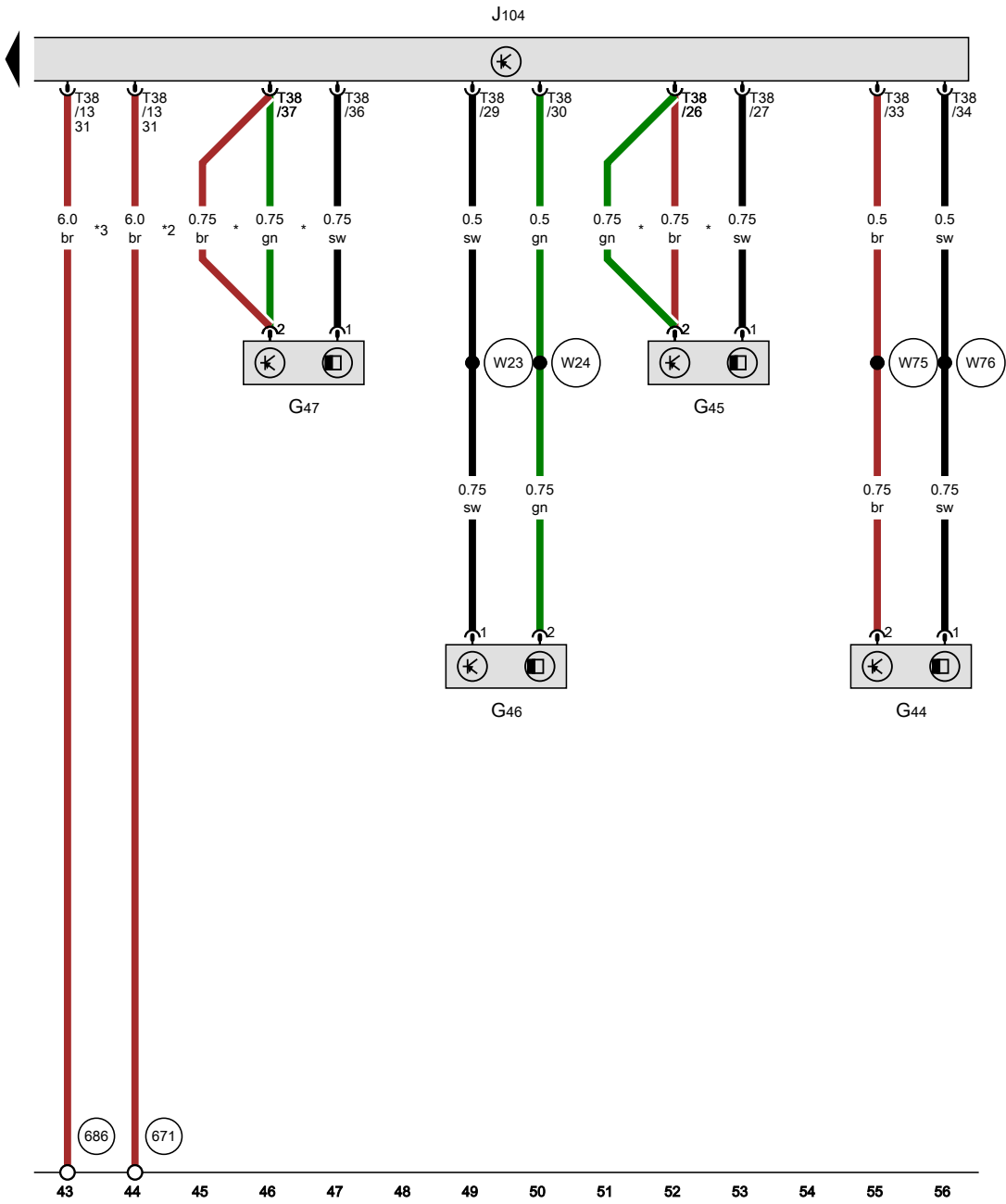
- J104 ABS control unit
- J285 Control unit in dash panel insert
- J519 Onboard supply control unit
- K Dash panel insert
- K47 ABS warning lamp
- K86 Traction control system warning lamp
- K243 Driving program warning light
- T5ab 5-pin connector, black, near right headlight
- T14f 14-pin connector, black, near right headlight
- T16 16-pin connector, black
- T32 32-pin connector, blue
- T38 38-pin connector, black
- T73a 73-pin connector, black
- T73b 73-pin connector, colourless
- U31 Diagnostic connection

- B335 Connection 1 (54), in main wiring harness
 - B383 Connection 1 (powertrain CAN bus, high), in main wiring harness
 - B390 Connection 1 (powertrain CAN bus, low), in main wiring harness
 - B444 Connection 1 (diagnosis), in main wiring harness
 - B708 Connection 1 (dash panel insert CAN bus high) in main wiring harness
 - B709 Connection 1 (dash panel insert CAN bus low) in main wiring harness
- * For models with no dimmable instrument illumination

- ws = white
- sw = black
- ro = red
- rt = red
- br = brown
- gn = green
- bl = blue
- gr = grey
- li = purple
- vi = purple
- ge = yellow
- or = orange
- rs = pink

29 30 31 32 33 34 35 36 37 38 39 40 41 42

1S60-0080404201



Rear right speed sensor, Front right speed sensor, Rear left speed sensor, Front left speed sensor, ABS control unit

- G44 Rear right speed sensor
- G45 Front right speed sensor
- G46 Rear left speed sensor
- G47 Front left speed sensor
- J104 ABS control unit
- T38 38-pin connector, black

- 671 Earth point 1, on front of left longitudinal member
- 686 Earth point 2, on front of right longitudinal member
- W23 Connection 1 (sensor), in rear wiring harness
- W24 Connection 2 (sensor), in rear wiring harness
- W75 Connection 3 (sensor), in rear wiring harness
- W76 Connection 4 (sensor), in rear wiring harness

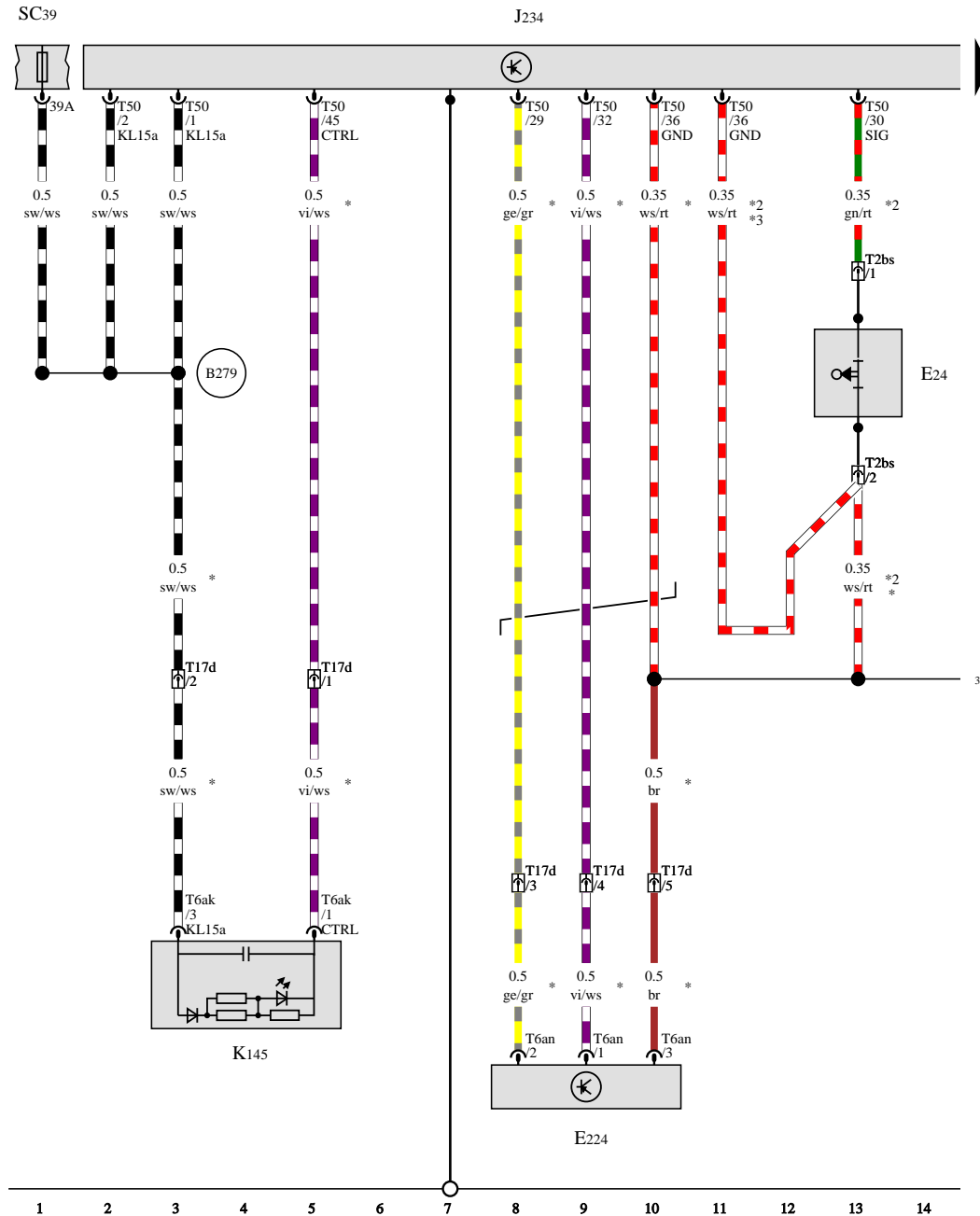
- * Wiring colour depends on equipment
- *2 For right-hand drive models
- *3 For left-hand drive models

- ws = white
- sw = black
- ro = red
- rt = red
- br = brown
- gn = green
- bl = blue
- gr = grey
- li = purple
- vi = purple
- ge = yellow
- or = orange
- rs = pink

1S60-0080504201

Airbag systems , (L0L),(NZ0)

From June 2016



Driver side belt switch, Key-operated switch to deactivate airbag on front passenger side, Airbag control unit, Warning lamp for airbag deactivated on front passenger side, Fuse 39 on fuse holder C

- E24 Driver side belt switch
- E224 Key-operated switch to deactivate airbag on front passenger side
- J234 Airbag control unit, under centre console
- K145 Warning lamp for airbag deactivated on front passenger side
- SC39 Fuse 39 on fuse holder C
- T2bs 2-pin connector, black, under driver seat
- T6ak 6-pin connector, brown
- T6an 6-pin connector, yellow
- T17d 17-pin connector, green, behind dash panel
- T50 50-pin connector, yellow

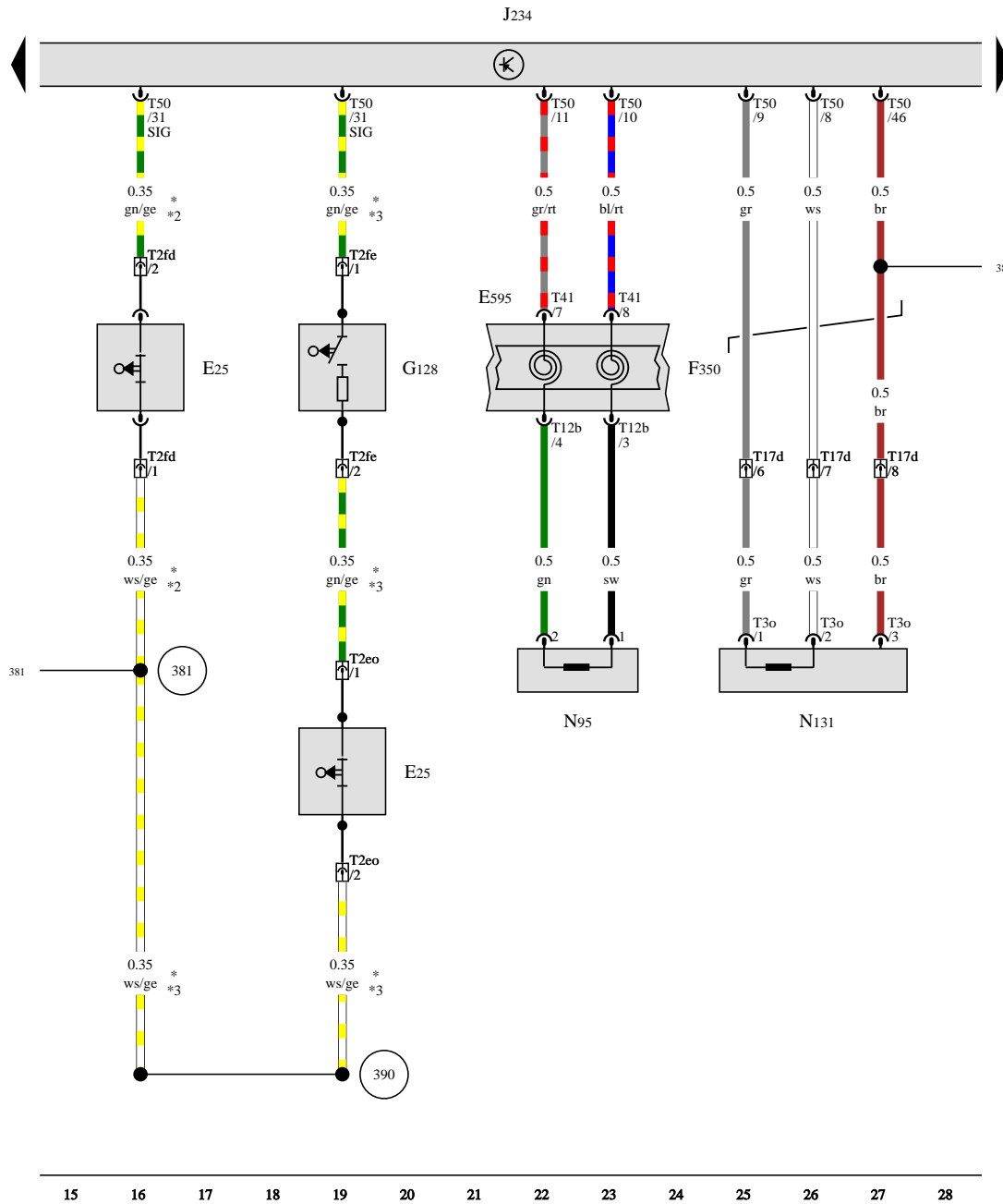
381 Earth connection 16, in main wiring harness

B279 Positive connection 3 (15a) in main wiring harness

- * For models with key-operated switch to deactivate front passenger airbag
- *2 For models with belt switch
- *3 For models with no key-operated switch to deactivate front passenger airbag

- ws = white
- sw = black
- ro = red
- rt = red
- br = brown
- gn = green
- bl = blue
- gr = grey
- li = purple
- vi = purple
- ge = yellow
- or = orange
- rs = pink

S6L-009070371



Front passenger side belt switch, Steering column combination switch, Coil connector, Seat occupied sensor on front passenger side, Airbag control unit, Airbag igniter on driver side, Airbag igniter 1 on front passenger side

- E25 Front passenger side belt switch
- E595 Steering column combination switch
- F350 Coil connector
- G128 Seat occupied sensor on front passenger side
- J234 Airbag control unit, under centre console
- N95 Airbag igniter on driver side
- N131 Airbag igniter 1 on front passenger side
- T2eo 2-pin connector, black, under front passenger seat
- T2fd 2-pin connector, black, under front passenger seat
- T2fe 2-pin connector, blue, under front passenger seat
- T3o 3-pin connector, yellow
- T12b 12-pin connector, yellow
- T17d 17-pin connector, green, behind dash panel
- T41 41-pin connector, grey
- T50 50-pin connector, yellow

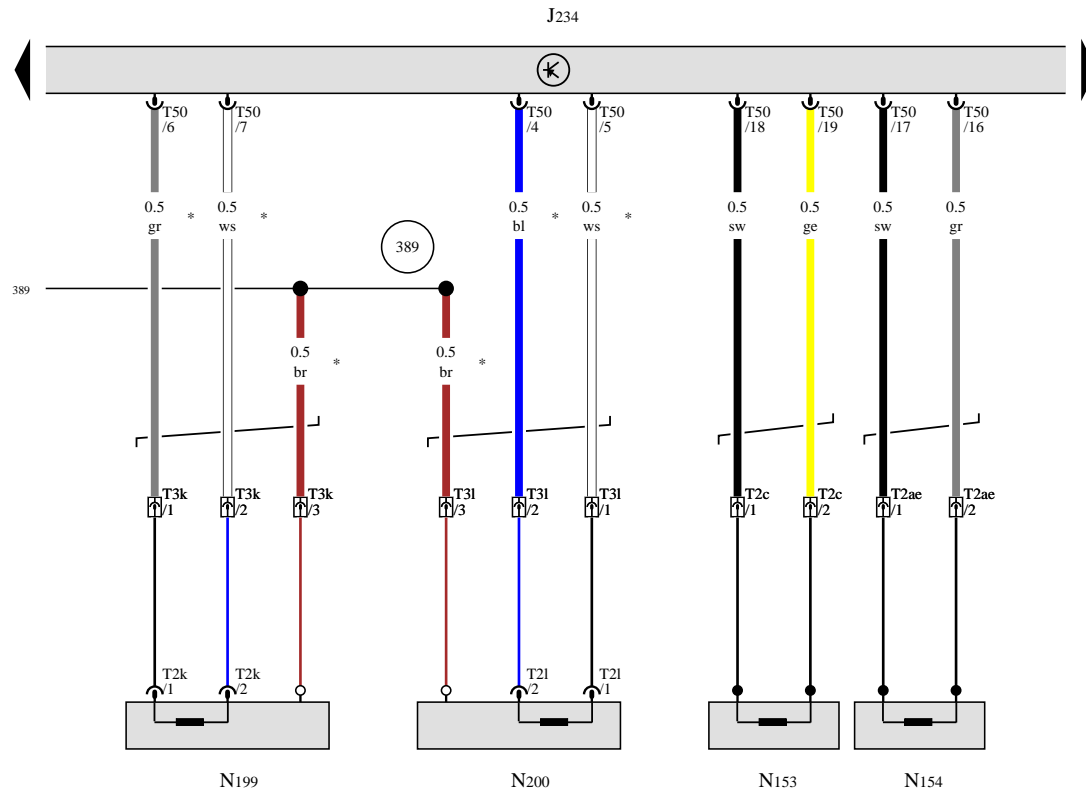
- 381 Earth connection 16, in main wiring harness
- 389 Earth connection 24, in main wiring harness
- 390 Earth connection 25, in main wiring harness

- * For models with belt switch
- *2 For models with seat adjustment
- *3 For models with no adjustable seats

- ws = white
- sw = black
- ro = red
- rt = red
- br = brown
- gn = green
- bl = blue
- gr = grey
- li = purple
- vi = purple
- ge = yellow
- or = orange
- rs = pink

15 16 17 18 19 20 21 22 23 24 25 26 27 28

SAE.009030371



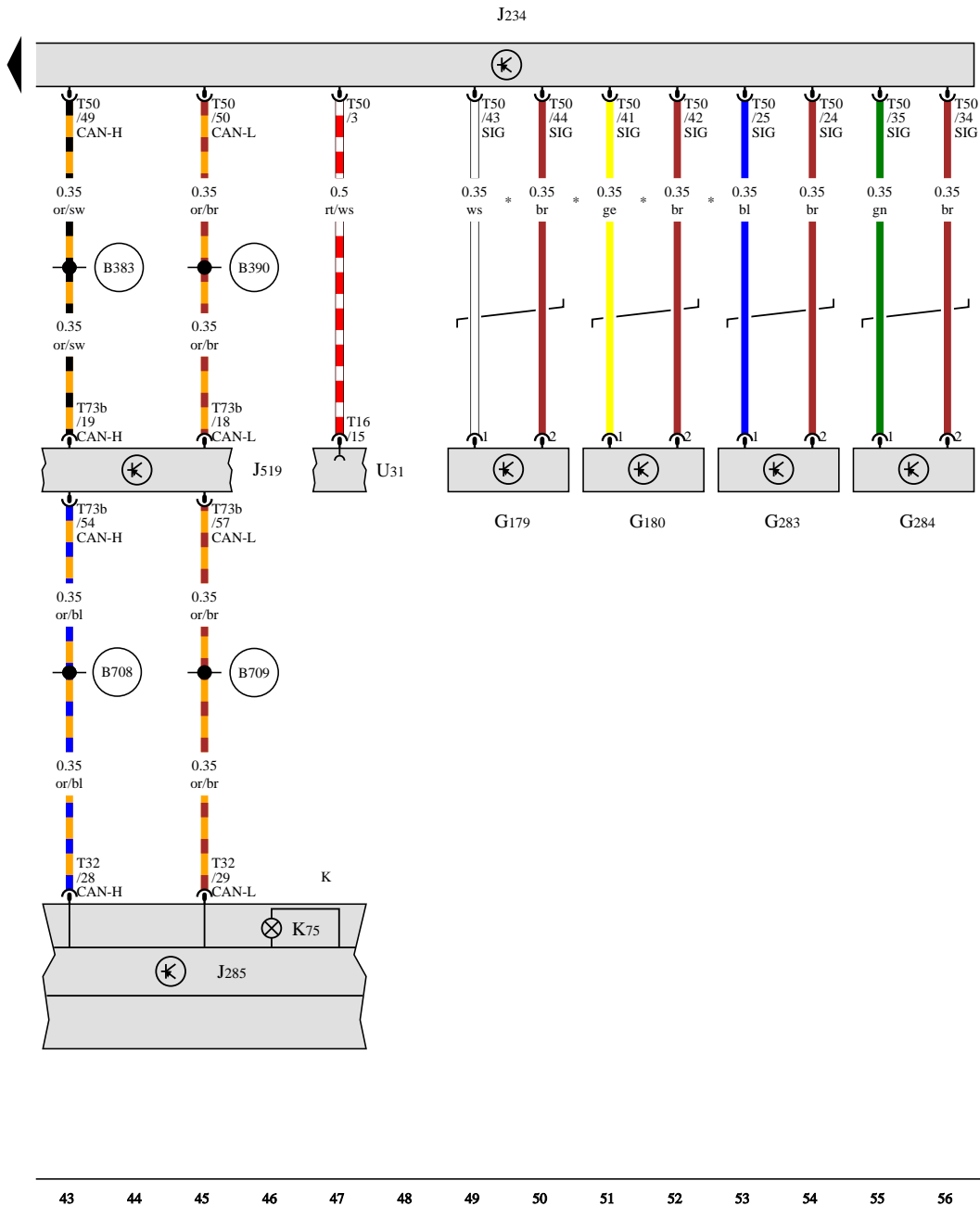
Airbag control unit, Driver seat belt tensioner igniter 1, Front passenger seat belt tensioner igniter 1, Side airbag igniter on driver side, Side airbag igniter on front passenger side

- J234 Airbag control unit, under centre console
- N153 Driver seat belt tensioner igniter 1
- N154 Front passenger seat belt tensioner igniter 1
- N199 Side airbag igniter on driver side
- N200 Side airbag igniter on front passenger side
- T2ae 2-pin connector, yellow
- T2c 2-pin connector, yellow
- T2k 2-pin connector, yellow
- T2l 2-pin connector, yellow
- T3k 3-pin connector, yellow, under driver seat
- T3l 3-pin connector, yellow, under front passenger seat
- T50 50-pin connector, yellow

389 Earth connection 24, in main wiring harness

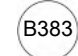
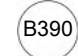
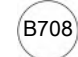
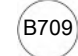
* For models with front head-thorax airbag

- ws = white
- sw = black
- ro = red
- rt = red
- br = brown
- gn = green
- bl = blue
- gr = grey
- li = purple
- vi = purple
- ge = yellow
- or = orange
- rs = pink



Side airbag crash sensor on driver side, Side airbag crash sensor on front passenger side, Front airbag crash sensor for driver side, Front airbag crash sensor for front passenger side, Airbag control unit, Onboard supply control unit, Dash panel insert, Diagnostic connection

- G179 Side airbag crash sensor on driver side, on left B-pillar
- G180 Side airbag crash sensor on front passenger side, on right B-pillar
- G283 Front airbag crash sensor for driver side, near left headlight
- G284 Front airbag crash sensor for front passenger side, near right headlight
- J234 Airbag control unit, under centre console
- J285 Control unit in dash panel insert
- J519 Onboard supply control unit
- K Dash panel insert
- K75 Airbag warning lamp
- T16 16-pin connector, black
- T32 32-pin connector, blue
- T50 50-pin connector, yellow
- T73b 73-pin connector, colourless
- U31 Diagnostic connection

-  B383 Connection 1 (powertrain CAN bus, high), in main wiring harness
-  B390 Connection 1 (powertrain CAN bus, low), in main wiring harness
-  B708 Connection 1 (dash panel insert CAN bus high) in main wiring harness
-  B709 Connection 1 (dash panel insert CAN bus low) in main wiring harness
- * For models with front head-thorax airbag

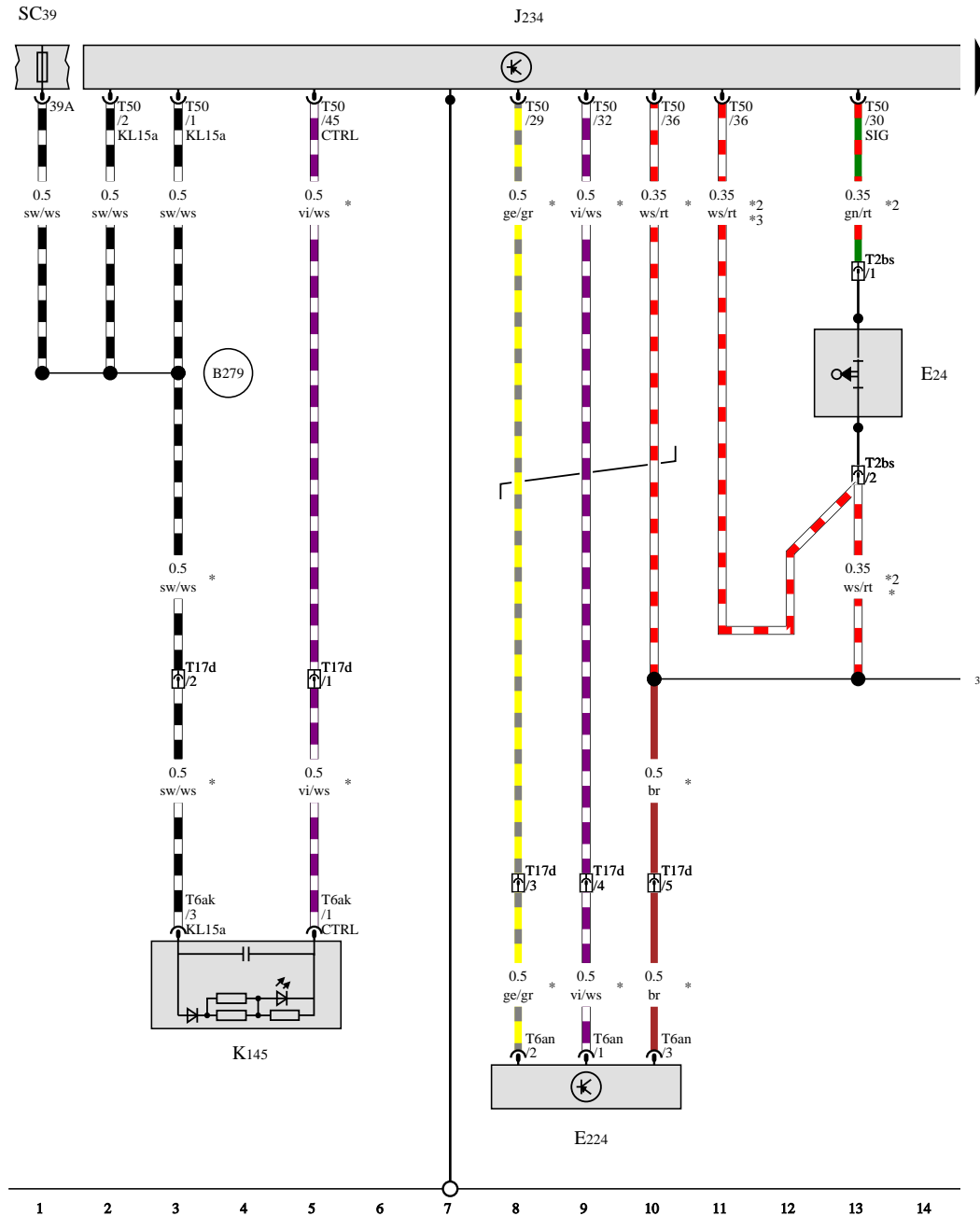
- ws = white
- ro = red
- rt = red
- br = brown
- gn = green
- bl = blue
- gr = grey
- li = purple
- vi = purple
- ge = yellow
- or = orange
- rs = pink

43 44 45 46 47 48 49 50 51 52 53 54 55 56

160.009050371

Airbag systems for RHD vehicles , (L0R)

From June 2016



Driver side belt switch, Key-operated switch to deactivate airbag on front passenger side, Airbag control unit, Warning lamp for airbag deactivated on front passenger side, Fuse 39 on fuse holder C

- E24 Driver side belt switch
- E224 Key-operated switch to deactivate airbag on front passenger side
- J234 Airbag control unit, under centre console
- K145 Warning lamp for airbag deactivated on front passenger side
- SC39 Fuse 39 on fuse holder C
- T2bs 2-pin connector, black, under driver seat
- T6ak 6-pin connector, brown
- T6an 6-pin connector, yellow
- T17d 17-pin connector, green, behind dash panel
- T50 50-pin connector, yellow

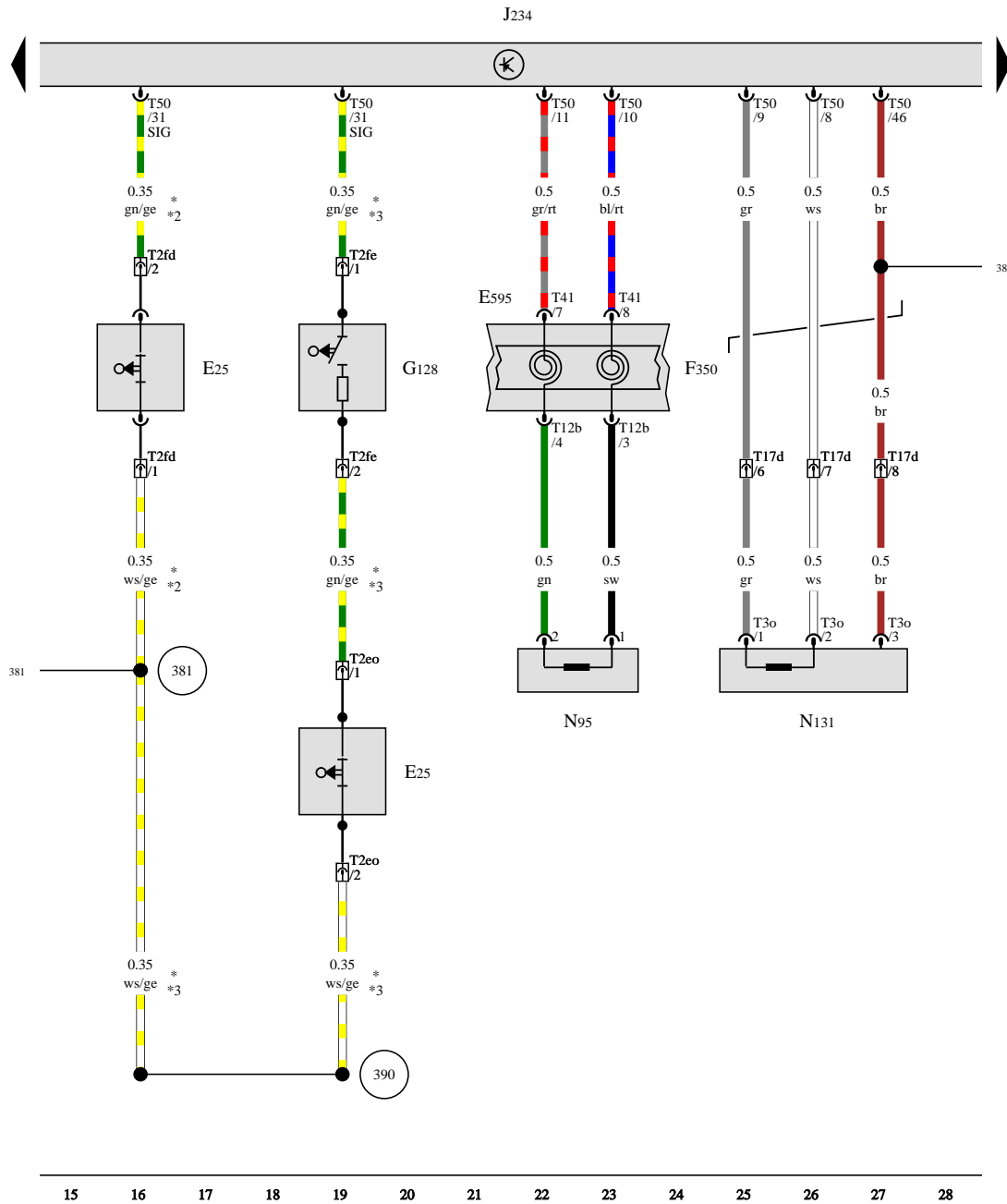
381 Earth connection 16, in main wiring harness

B279 Positive connection 3 (15a) in main wiring harness

- * For models with key-operated switch to deactivate front passenger airbag
- *2 For models with belt switch
- *3 For models with no key-operated switch to deactivate front passenger airbag

- ws = white
- sw = black
- ro = red
- rt = red
- br = brown
- gn = green
- bl = blue
- gr = grey
- li = purple
- vi = purple
- ge = yellow
- or = orange
- rs = pink

S60-010070371



Front passenger side belt switch, Steering column combination switch, Coil connector, Seat occupied sensor on front passenger side, Airbag control unit, Airbag igniter on driver side, Airbag igniter 1 on front passenger side

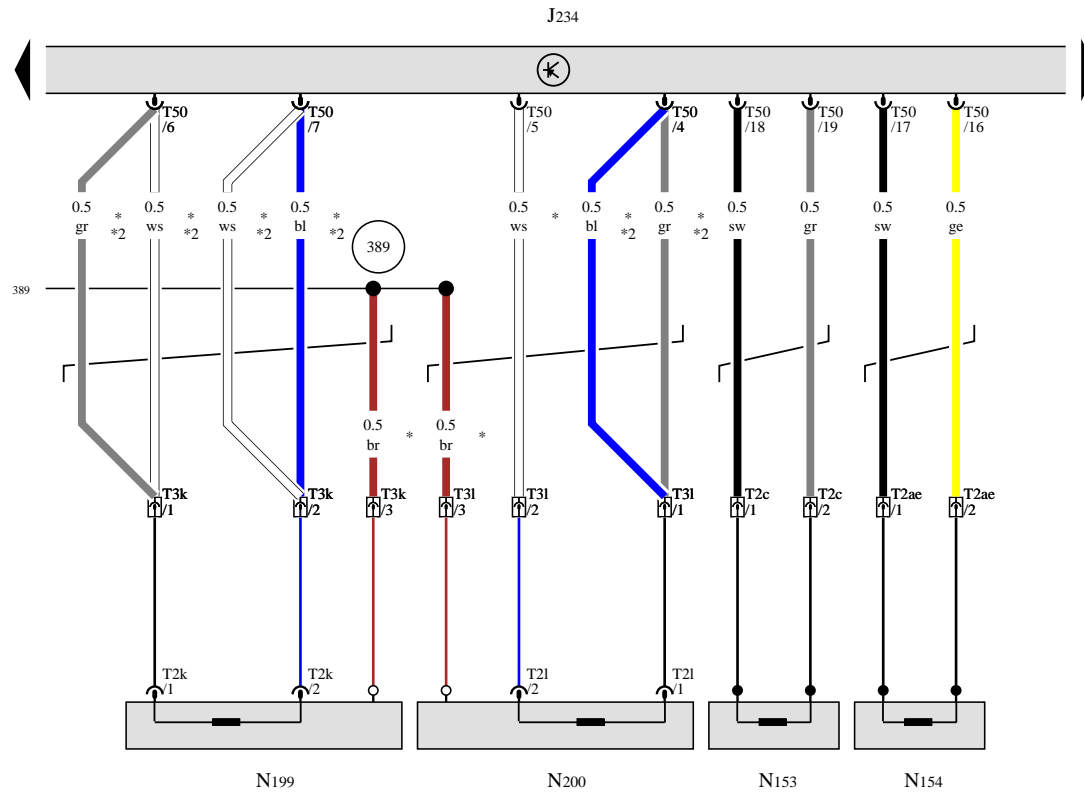
- E25 Front passenger side belt switch
- E595 Steering column combination switch
- F350 Coil connector
- G128 Seat occupied sensor on front passenger side
- J234 Airbag control unit, under centre console
- N95 Airbag igniter on driver side
- N131 Airbag igniter 1 on front passenger side
- T2eo 2-pin connector, black, under front passenger seat
- T2fd 2-pin connector, black, under front passenger seat
- T2fe 2-pin connector, blue, under front passenger seat
- T3o 3-pin connector, yellow
- T12b 12-pin connector, yellow
- T17d 17-pin connector, green, behind dash panel
- T41 41-pin connector, grey
- T50 50-pin connector, yellow

- 381 Earth connection 16, in main wiring harness
- 389 Earth connection 24, in main wiring harness
- 390 Earth connection 25, in main wiring harness

- * For models with belt switch
- *2 For models with seat adjustment
- *3 For models with no adjustable seats

- ws = white
- sw = black
- ro = red
- rt = red
- br = brown
- gn = green
- bl = blue
- gr = grey
- li = purple
- vi = purple
- ge = yellow
- or = orange
- rs = pink

86A.010030371



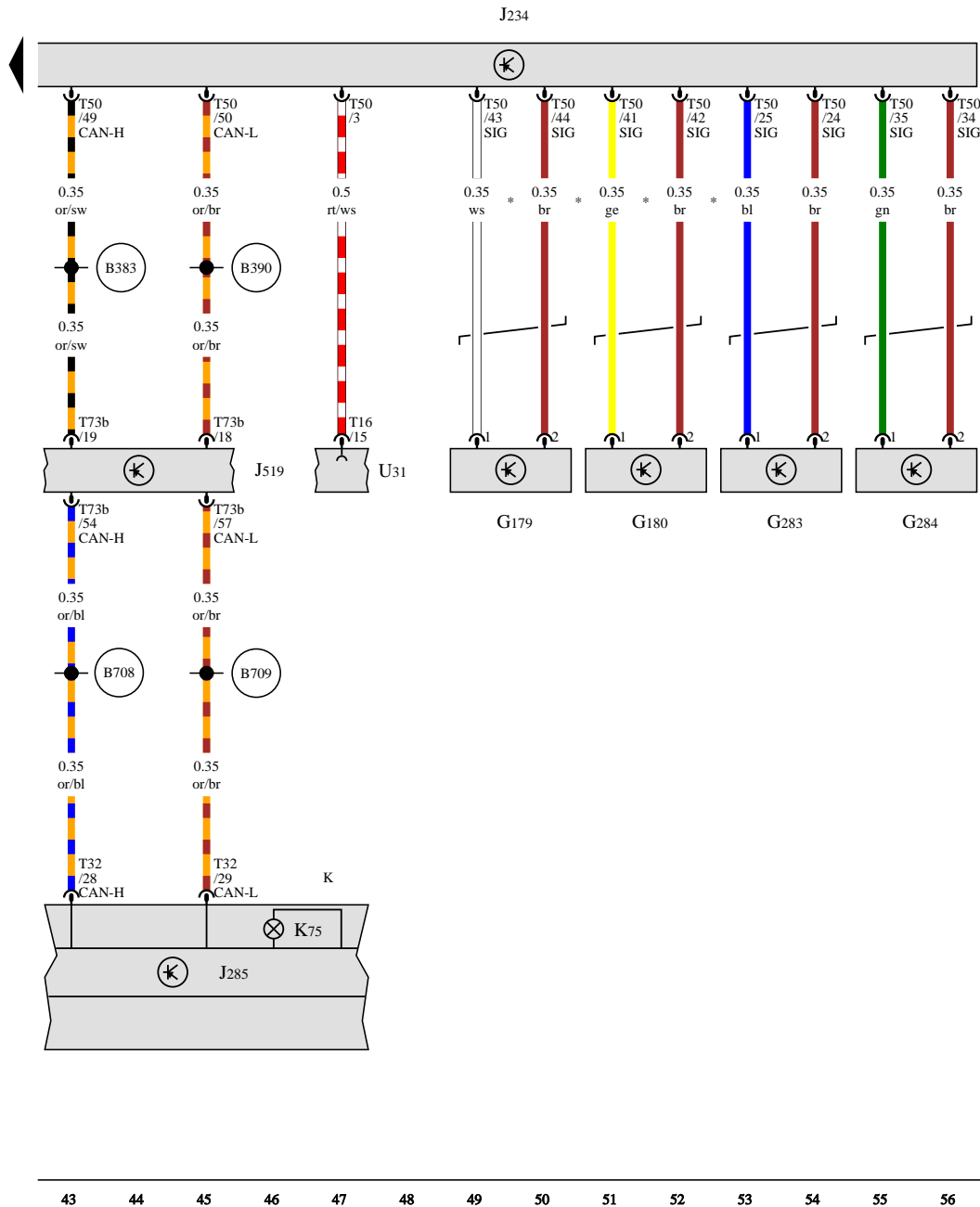
Airbag control unit, Driver seat belt tensioner igniter 1, Front passenger seat belt tensioner igniter 1, Side airbag igniter on driver side, Side airbag igniter on front passenger side

- J234 Airbag control unit, under centre console
- N153 Driver seat belt tensioner igniter 1
- N154 Front passenger seat belt tensioner igniter 1
- N199 Side airbag igniter on driver side
- N200 Side airbag igniter on front passenger side
- T2ae 2-pin connector, yellow
- T2c 2-pin connector, yellow
- T2k 2-pin connector, yellow
- T21 2-pin connector, yellow
- T3k 3-pin connector, yellow, under driver seat
- T31 3-pin connector, yellow, under front passenger seat
- T50 50-pin connector, yellow
- 389 Earth connection 24, in main wiring harness
- * For models with front head-thorax airbag
- *2 Wiring colour depends on equipment

- ws = white
- sw = black
- ro = red
- rt = red
- br = brown
- gn = green
- bl = blue
- gr = grey
- li = purple
- vi = purple
- ge = yellow
- or = orange
- rs = pink

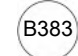
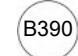
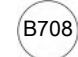

29 30 31 32 33 34 35 36 37 38 39 40 41 42

□ S60.010040371



Side airbag crash sensor on driver side, Side airbag crash sensor on front passenger side, Front airbag crash sensor for driver side, Front airbag crash sensor for front passenger side, Airbag control unit, Onboard supply control unit, Dash panel insert, Diagnostic connection

- G179 Side airbag crash sensor on driver side, on right B-pillar
- G180 Side airbag crash sensor on front passenger side, on left B-pillar
- G283 Front airbag crash sensor for driver side, near right headlight
- G284 Front airbag crash sensor for front passenger side, near left headlight
- J234 Airbag control unit, under centre console
- J285 Control unit in dash panel insert
- J519 Onboard supply control unit
- K Dash panel insert
- K75 Airbag warning lamp
- T16 16-pin connector, black
- T32 32-pin connector, blue
- T50 50-pin connector, yellow
- T73b 73-pin connector, colourless
- U31 Diagnostic connection

-  B383 Connection 1 (powertrain CAN bus, high), in main wiring harness
-  B390 Connection 1 (powertrain CAN bus, low), in main wiring harness
-  B708 Connection 1 (dash panel insert CAN bus high) in main wiring harness
-  B709 Connection 1 (dash panel insert CAN bus low) in main wiring harness

* For models with front head-thorax airbag

- ws = white
- sw = black
- ro = red
- rt = red
- br = brown
- gn = green
- bl = blue
- gr = grey
- li = purple
- vi = purple
- ge = yellow
- or = orange
- rs = pink

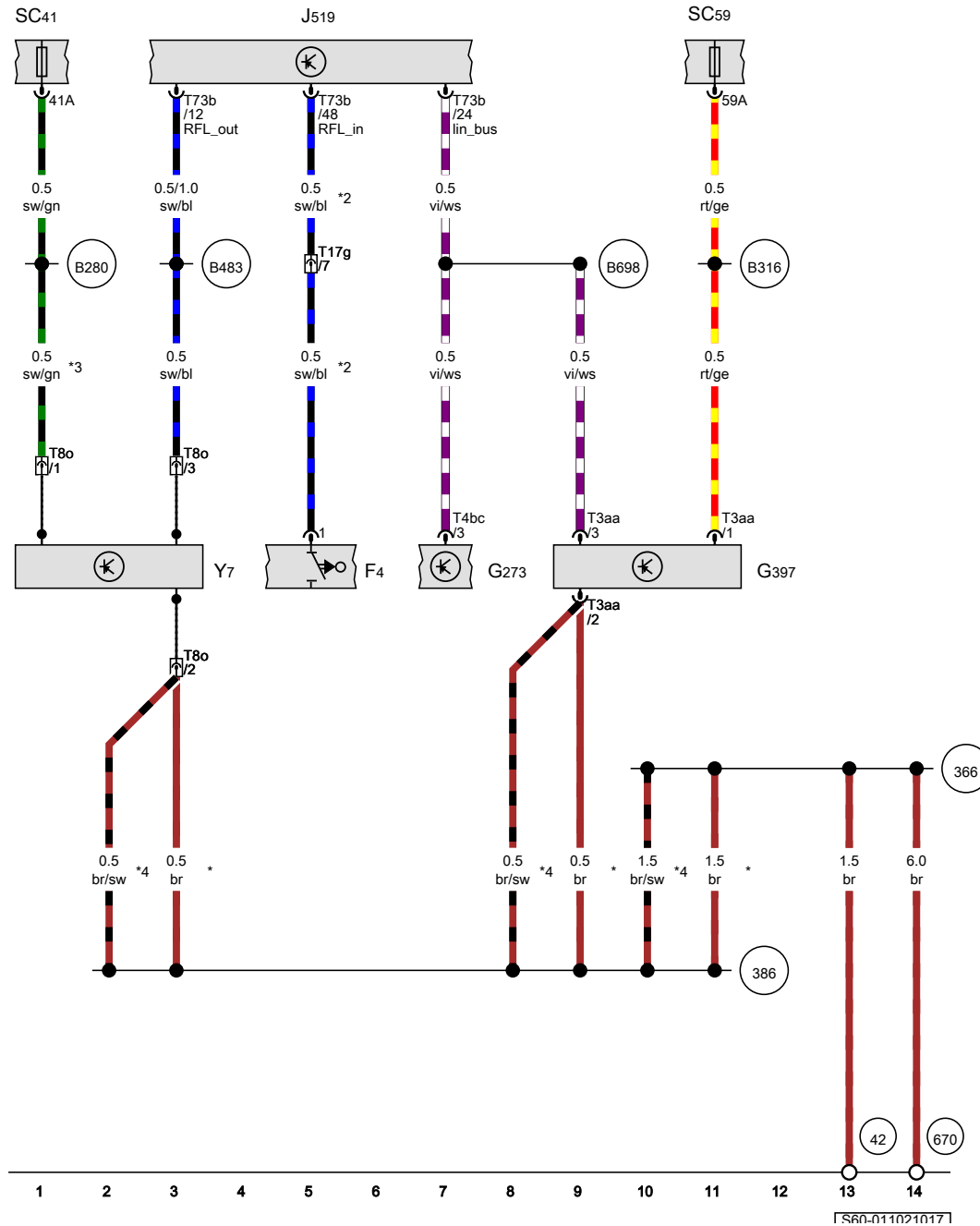
43 44 45 46 47 48 49 50 51 52 53 54 55 56

160.010050371

Automatic anti-dazzle interior mirror, rain sensor

From June 2016

Rain and light sensor, Onboard supply control unit, Automatic anti-dazzle interior mirror



- F4 Reversing light switch
- G273 Interior monitoring sensor
- G397 Rain and light sensor
- J519 Onboard supply control unit
- SC41 Fuse 41 on fuse holder C
- SC59 Fuse 59 on fuse holder C
- T3aa 3-pin connector, black
- T4bc 4-pin connector, brown
- T8o 8-pin connector, black, on interior mirror
- T17g 17-pin connector, black, near handbrake lever
- T73b 73-pin connector, colourless
- Y7 Automatic anti-dazzle interior mirror, on interior mirror

- 42 Earth point, next to steering column
- 366 Earth connection 1, in main wiring harness
- 386 Earth connection 21, in main wiring harness
- 670 Earth point 2, left A-pillar
- B280 Positive connection 4 (15a) in main wiring harness
- B316 Positive connection 2 (30a) in main wiring harness
- B483 Connection 19, in main wiring harness
- B698 Connection 3 (LIN bus) in main wiring harness

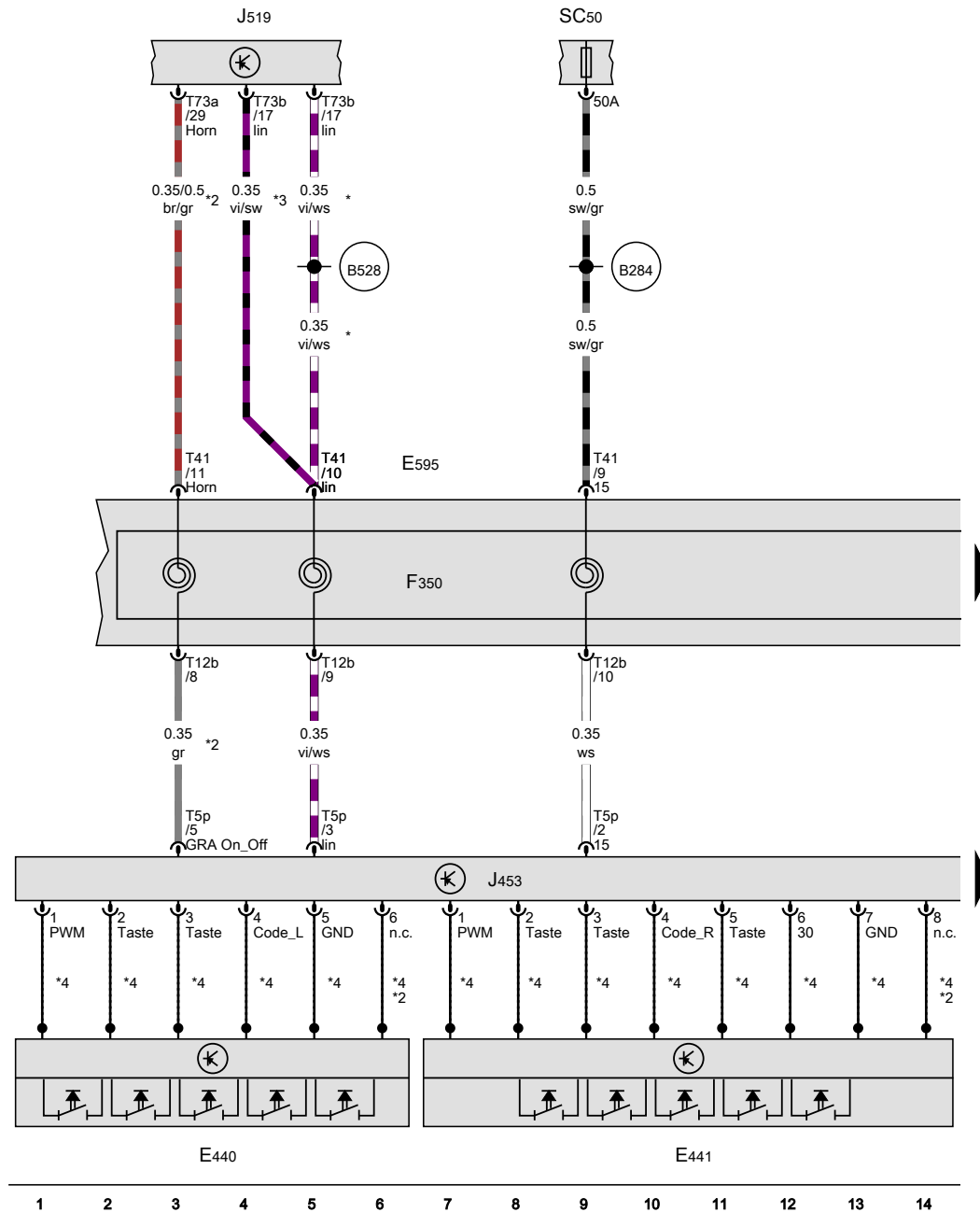
* Up to February 2017
 *2 For models with manual gearbox
 *3 From January 2014
 *4 From February 2017

ws = white
 sw = black
 ro = red
 rt = red
 br = brown
 gn = green
 bl = blue
 gr = grey
 li = purple
 vi = purple
 ge = yellow
 or = orange
 rs = pink

[S60-011021017]

Multifunction steering wheel

From June 2016



Multifunction buttons on left in steering wheel, Multifunction buttons on right in steering wheel, Steering column combination switch, Multifunction steering wheel control unit, Fuse 50 on fuse holder C

- E440 Multifunction buttons on left in steering wheel
- E441 Multifunction buttons on right in steering wheel
- E595 Steering column combination switch
- F350 Coil connector
- J453 Multifunction steering wheel control unit
- J519 Onboard supply control unit
- SC50 Fuse 50 on fuse holder C
- T5p 5-pin connector, black
- T12b 12-pin connector, yellow
- T41 41-pin connector, grey
- T73a 73-pin connector, black
- T73b 73-pin connector, colourless

B284 Positive connection 8 (15a) in main wiring harness

B528 Connection 1 (LIN bus) in main wiring harness

- * For models with electric window regulators
- *2 Wire with no function
- *3 Only vehicles without electric window regulators
- *4 Flat conductor

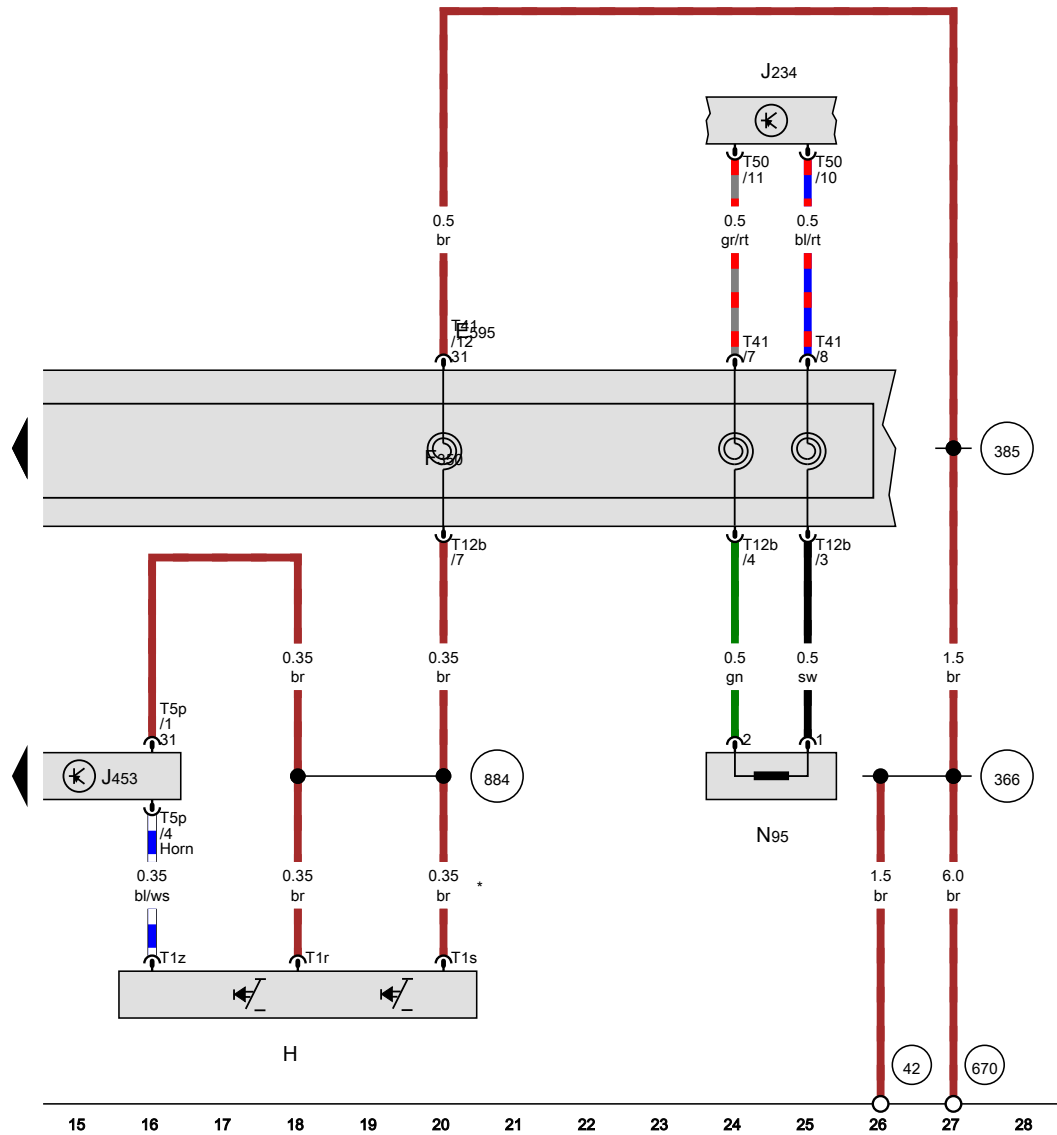
- ws = white
- sw = black
- ro = red
- rt = red
- br = brown
- gn = green
- bl = blue
- gr = grey
- li = purple
- vi = purple
- ge = yellow
- or = orange
- rs = pink

Steering column combination switch, Horn plate, Airbag control unit, Multifunction steering wheel control unit

- E595 Steering column combination switch
- F350 Coil connector
- H Horn plate, in steering wheel
- J234 Airbag control unit
- J453 Multifunction steering wheel control unit
- N95 Driver side airbag igniter, in steering wheel
- T1r 1-pin connector, black
- T1s 1-pin connector, black
- T1z 1-pin connector, black
- T5p 5-pin connector, black
- T12b 12-pin connector, yellow
- T41 41-pin connector, grey
- T50 50-pin connector, yellow

- 42 Earth point, next to steering column
- 366 Earth connection 1, in main wiring harness
- 385 Earth connection 20, in main wiring harness
- 670 Earth point 2, left A-pillar
- 884 Earth connection 1 in steering wheel wiring harness
- * According to equipment

- ws = white
- sw = black
- ro = red
- rt = red
- br = brown
- gn = green
- bl = blue
- gr = grey
- li = purple
- vi = purple
- ge = yellow
- or = orange
- rs = pink



15 16 17 18 19 20 21 22 23 24 25 26 27 28

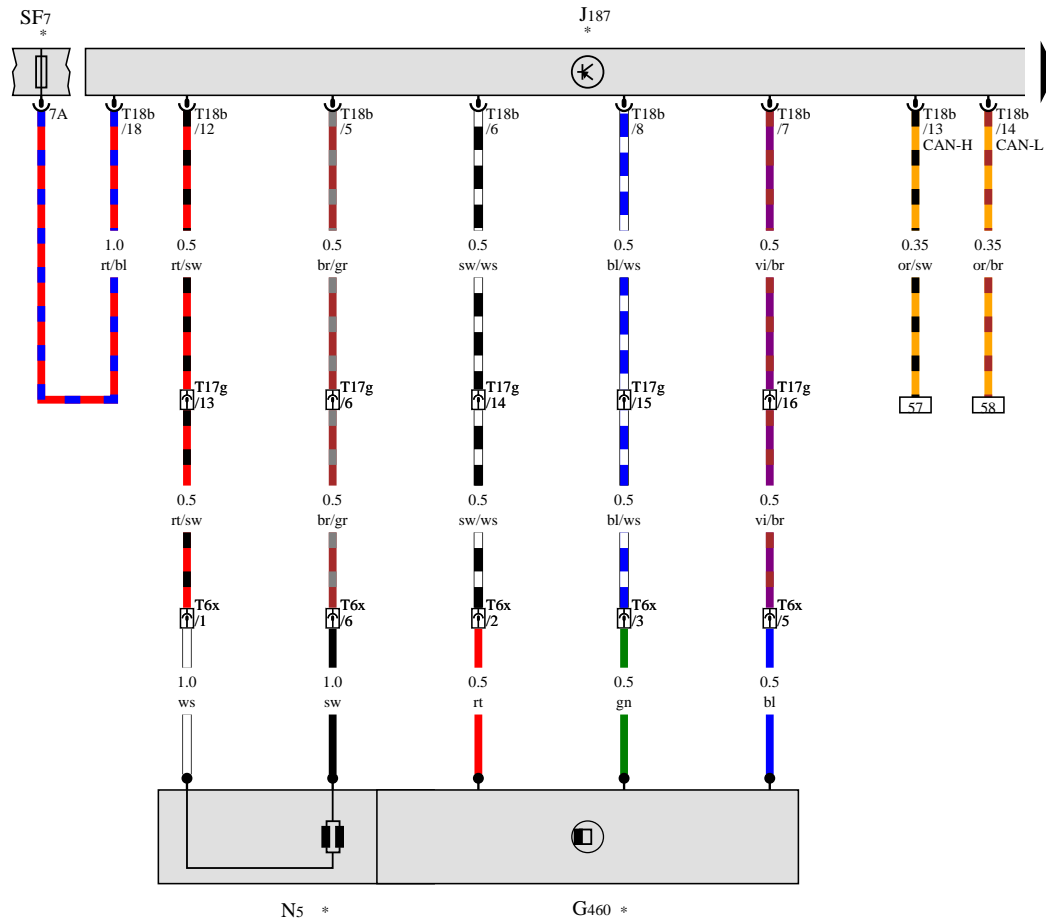
1560-0120302171

All-wheel drive

From June 2016

Axle differential lock Hall sender 1, Differential lock control unit, Control solenoid, Fuse 7 in fuse holder F

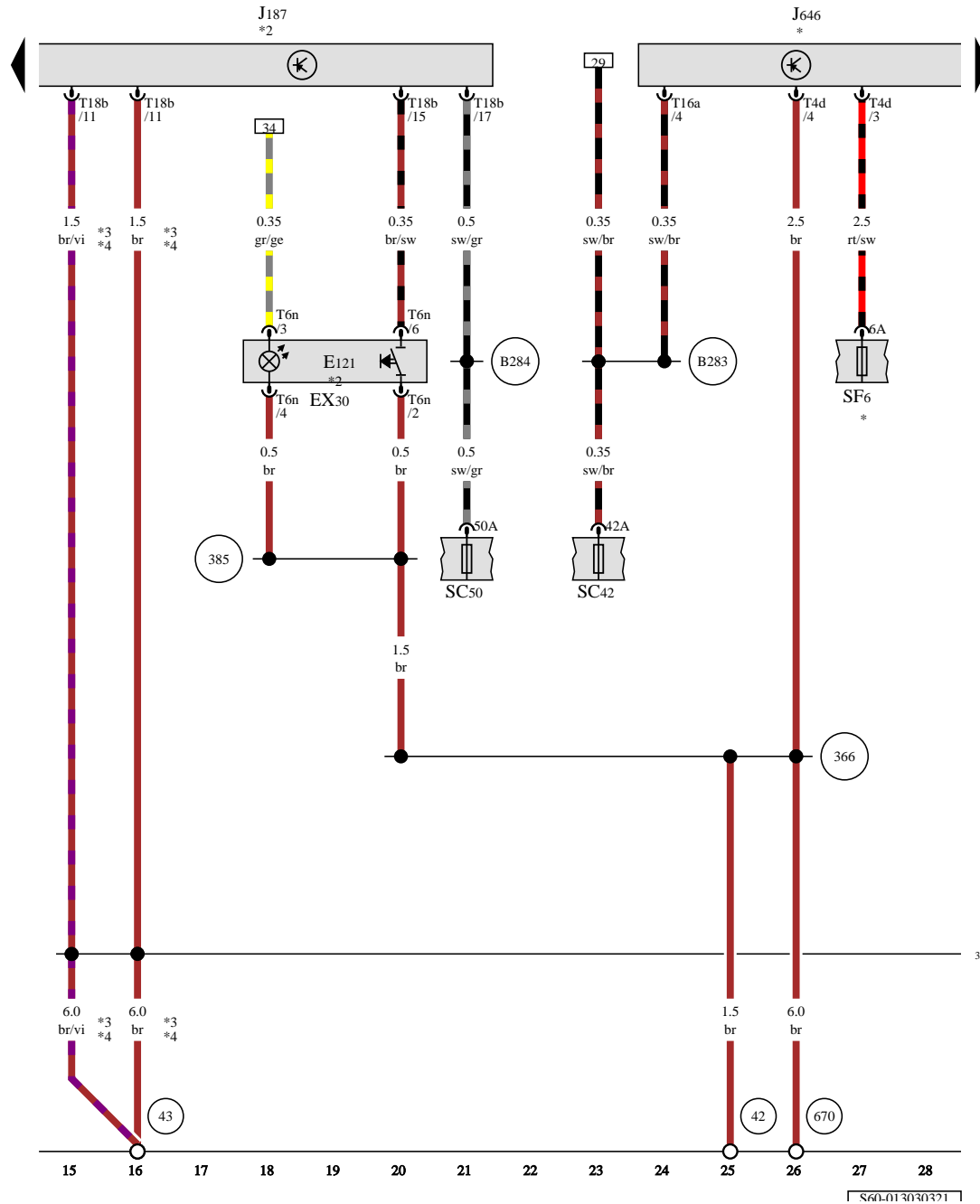
- G460 Axle differential lock Hall sender 1, on rear axle, left
- J187 Differential lock control unit, in centre console, near handbrake lever
- N5 Control solenoid, on rear axle, left
- SF7 Fuse 7 in fuse holder F
- T6x 6-pin connector, black, on rear axle, left
- T17g 17-pin connector, black, near handbrake lever
- T18b 18-pin connector, black
- * For models with rear differential lock



- ws = white
- sw = black
- ro = red
- rt = red
- br = brown
- gn = green
- bl = blue
- gr = grey
- li = purple
- vi = purple
- ge = yellow
- or = orange
- rs = pink

1 2 3 4 5 6 7 8 9 10 11 12 13 14

S6L-013070371



Rear differential lock switch, Differential lock control unit, Transfer box control unit, Fuse 6 in fuse holder F, Fuse 42 on fuse holder C, Fuse 50 on fuse holder C

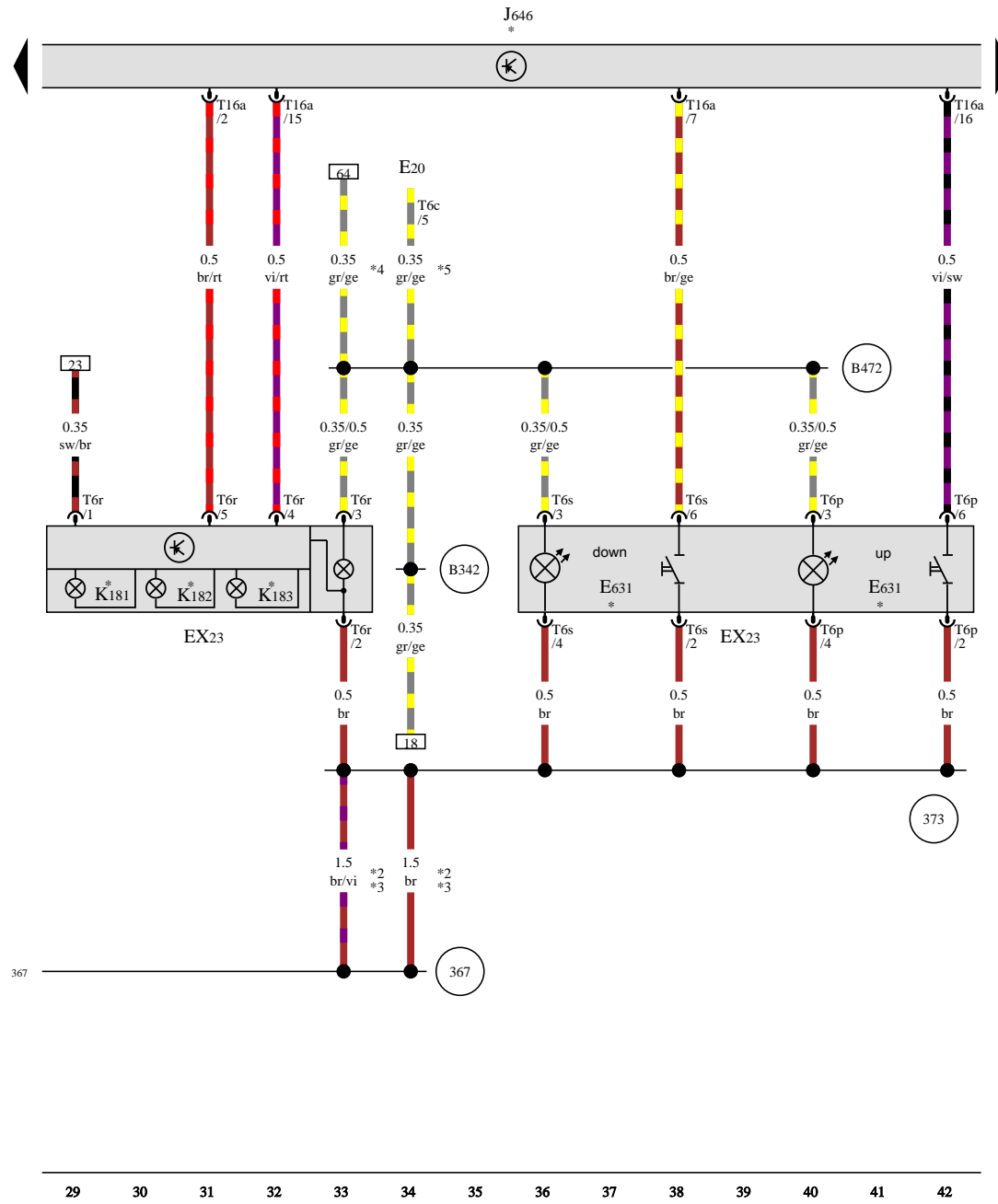
- EX30 Switch module 2 in centre console
- E121 Rear differential lock switch, in centre console
- J187 Differential lock control unit, in centre console, near handbrake lever
- J646 Transfer box control unit
- SF6 Fuse 6 in fuse holder F
- SC42 Fuse 42 on fuse holder C
- SC50 Fuse 50 on fuse holder C
- T4d 4-pin connector, brown
- T6n 6-pin connector, brown
- T16a 16-pin connector, blue
- T18b 18-pin connector, black

- 42 Earth point, next to steering column
- 43 Earth point, lower part of right A-pillar
- 366 Earth connection 1, in main wiring harness
- 367 Earth connection 2, in main wiring harness
- 385 Earth connection 20, in main wiring harness
- 670 Earth point 2, on left A-pillar
- B283 Positive connection 7 (15a) in main wiring harness
- B284 Positive connection 8 (15a) in main wiring harness

- * For models with all-wheel drive
- *2 For models with rear differential lock
- *3 Wiring colour depends on equipment
- *4 see applicable current flow diagram for earthing concept

- ws = white
- sw = black
- ro = red
- rt = red
- br = brown
- gn = green
- bl = blue
- gr = grey
- li = purple
- vi = purple
- ge = yellow
- or = orange
- rs = pink

16L-013030371



Switch module 1 in centre console, Running gear program switch, Transfer box control unit, Normal operation warning lamp in transfer box operating unit, Reduction gearing warning lamp in transfer box operating unit, Inter-axle lock-up warning lamp in transfer box operating unit

- E20 Switch and instrument illumination regulator
- EX23 Switch module 1 in centre console
- E631 Running gear program switch, in centre console
- J646 Transfer box control unit
- K181 Normal operation warning lamp in transfer box operating unit, in centre console
- K182 Reduction gearing warning lamp in transfer box operating unit, in centre console
- K183 Inter-axle lock-up warning lamp in transfer box operating unit, in centre console
- T6c 6-pin connector, black
- T6p 6-pin connector, black
- T6r 6-pin connector, brown
- T6s 6-pin connector, grey
- T16a 16-pin connector, blue

367 Earth connection 2, in main wiring harness

373 Earth connection 8, in main wiring harness

B342 Connection 3 (58d), in main wiring harness

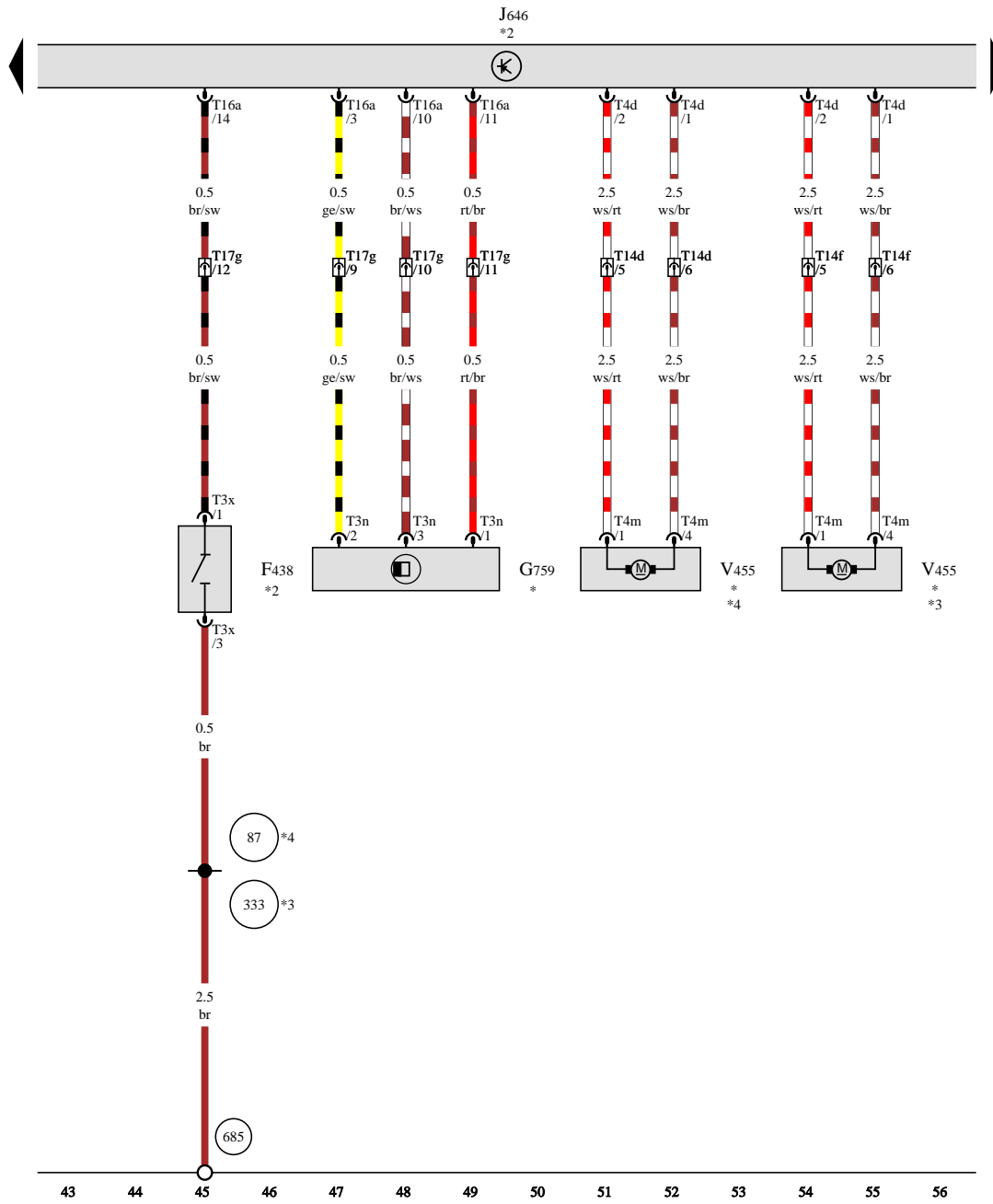
B472 Connection 8, in main wiring harness

- * For models with all-wheel drive
- *2 Wiring colour depends on equipment
- *3 see applicable current flow diagram for earthing concept
- *4 For models with no dimmable instrument illumination
- *5 For models with dimmable instrument illumination

- ws = white
- sw = black
- ro = red
- rt = red
- br = brown
- gn = green
- bl = blue
- gr = grey
- li = purple
- vi = purple
- ge = yellow
- or = orange
- rs = pink

29 30 31 32 33 34 35 36 37 38 39 40 41 42

160.013040371



Transfer box inter-axe lock-up switch, Hall sender for transfer box, Transfer box control unit, Transfer box control motor

- F438 Transfer box inter-axe lock-up switch
- G759 Hall sender for transfer box, on gearbox
- J646 Transfer box control unit
- T3n 3-pin connector, black
- T3x 3-pin connector, black
- T4d 4-pin connector, brown
- T4m 4-pin connector, black
- T14d 14-pin connector, grey, near battery
- T14f 14-pin connector, grey, near right headlight
- T16a 16-pin connector, blue
- T17g 17-pin connector, black, near handbrake lever
- V455 Transfer box control motor, on gearbox

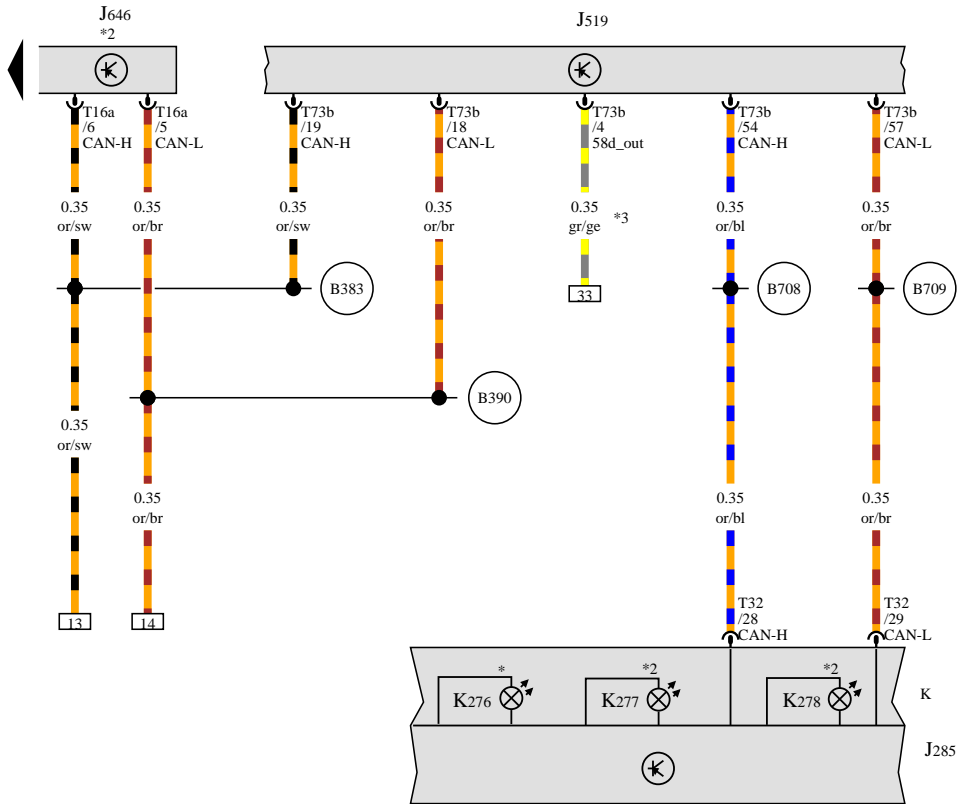
- 87 Earth connection 2, in rear wiring harness
- 333 Earth connection 5, in rear wiring harness
- 685 Earth point 1, on front of right longitudinal member

- * with auxiliary drive (part time)
- *2 For models with all-wheel drive
- *3 For models with 3.0l engine
- *4 For models with 2.0l engine

- ws = white
- sw = black
- ro = red
- rt = red
- br = brown
- gn = green
- bl = blue
- gr = grey
- li = purple
- vi = purple
- ge = yellow
- or = orange
- rs = pink

43 44 45 46 47 48 49 50 51 52 53 54 55 56

60.013050371



Onboard supply control unit, Transfer box control unit, Dash panel insert, Reduction gearing warning lamp

- J285 Control unit in dash panel insert
- J519 Onboard supply control unit
- J646 Transfer box control unit
- K Dash panel insert
- K276 Rear axle differential lock warning lamp
- K277 Reduction gearing warning lamp
- K278 Inter-axle lock-up warning lamp
- T16a 16-pin connector, blue
- T32 32-pin connector, blue
- T73b 73-pin connector, colourless

- B383** Connection 1 (powertrain CAN bus, high), in main wiring harness
- B390** Connection 1 (powertrain CAN bus, low), in main wiring harness
- B708** Connection 1 (dash panel insert CAN bus high) in main wiring harness
- B709** Connection 1 (dash panel insert CAN bus low) in main wiring harness

- * For models with rear differential lock
- *2 For models with all-wheel drive
- *3 For models with no dimmable instrument illumination

- ws = white
- sw = black
- ro = red
- rt = red
- br = brown
- gn = green
- bl = blue
- gr = grey
- li = purple
- vi = purple
- ge = yellow
- or = orange
- rs = pink

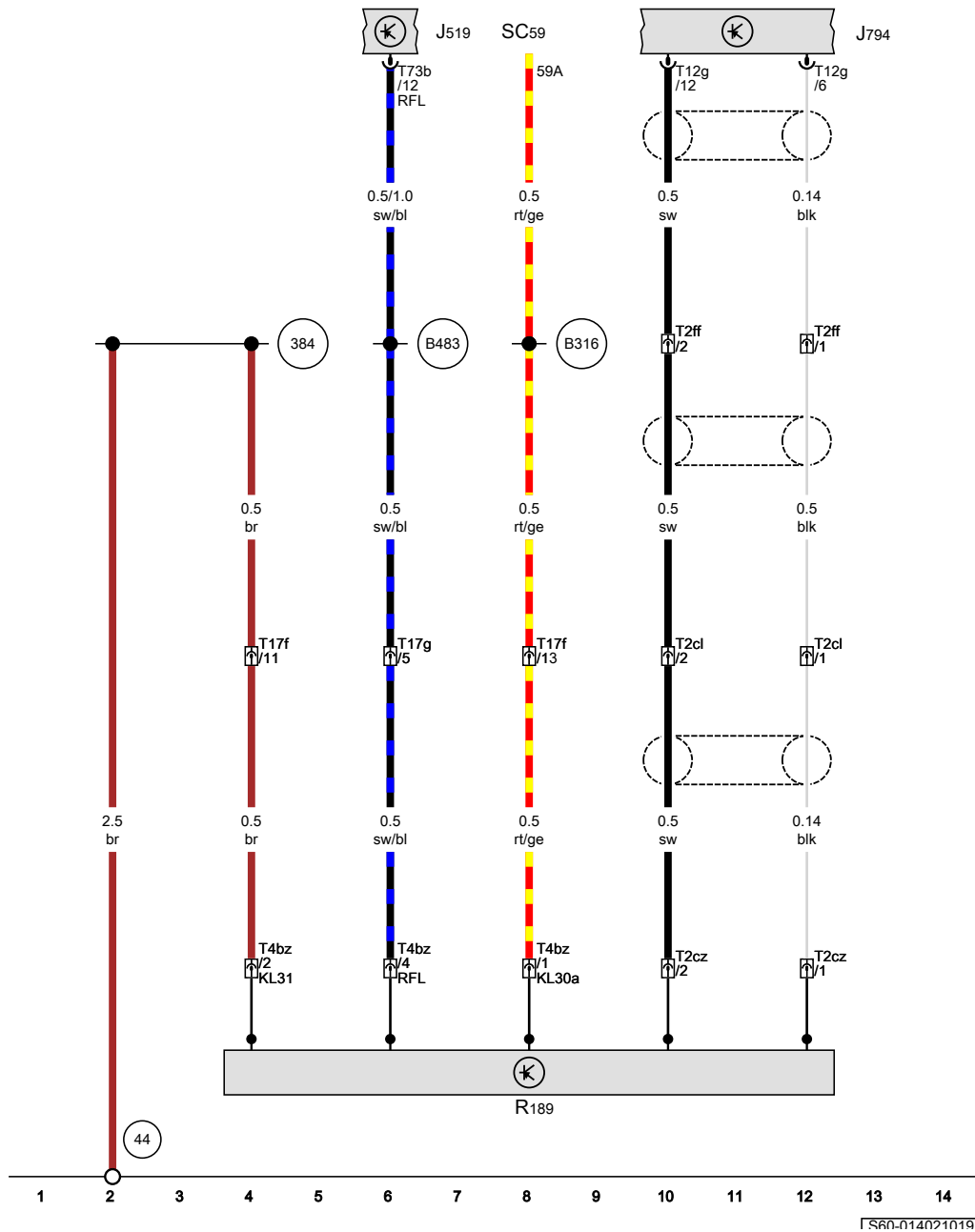
57 58 59 60 61 62 63 64 65 66 67 68 69 70

□ S60.013060321

Reversing camera (Rear Assist)

From June 2016

Onboard supply control unit, Control unit 1 for information electronics, Reversing camera, Fuse 59 on fuse holder C



- J519 Onboard supply control unit
- J794 Control unit 1 for information electronics
- R189 Reversing camera
- SC59 Fuse 59 on fuse holder C
- T2cl 2-pin connector, grey, under centre console, near handbrake lever
- T2cz 2-pin connector, white, on longitudinal member, rear, left
- T2ff 2-pin connector, grey, behind dash panel
- T4bz 4-pin connector, black, on longitudinal member, rear, left
- T12g 12-pin connector, blue
- T17f 17-pin connector, blue, near handbrake lever
- T17g 17-pin connector, black, near handbrake lever
- T73b 73-pin connector, white
- 44 Earth point, lower part of left A-pillar
- 384 Earth connection 19, in main wiring harness
- B316 Positive connection 2 (30a) in main wiring harness
- B483 Connection 19, in main wiring harness

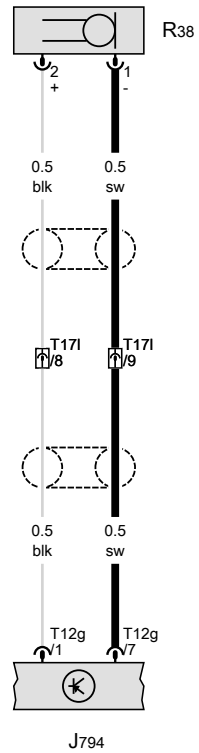
[S60-014021019]

Preparation for mobile telephone , (9IE),(9ZX)

From June 2016

Control unit 1 for information electronics, Telephone microphone

- J794 Control unit 1 for information electronics
- R38 Telephone microphone, near front interior light
- T12g 12-pin connector, blue
- T171 17-pin connector, brown, behind dash panel



- ws = white
- sw = black
- ro = red
- rt = red
- br = brown
- gn = green
- bl = blue
- gr = grey
- li = purple
- vi = purple
- ge = yellow
- or = orange
- rs = pink

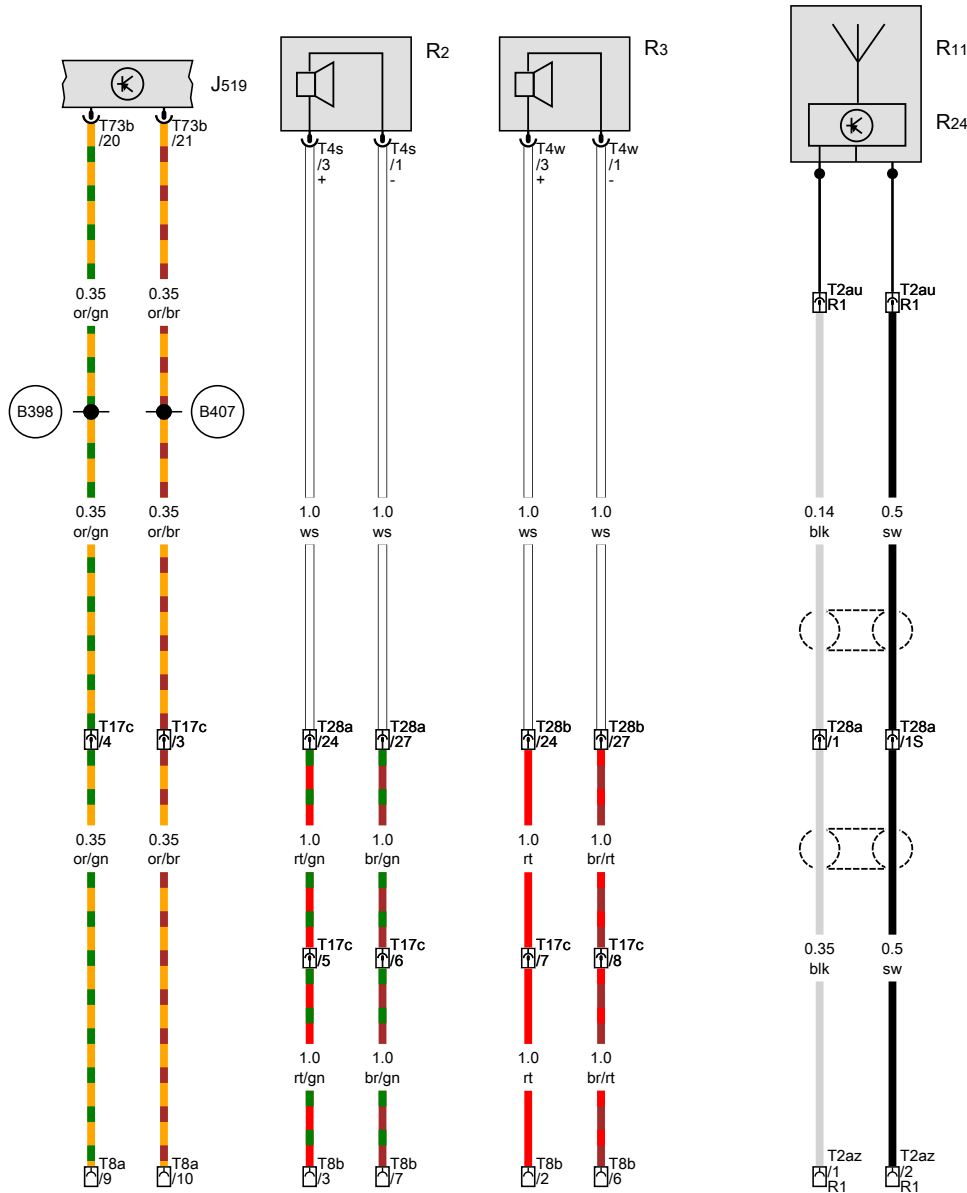
1 2 3 4 5 6 7 8 9 10 11 12 13 14

[S60-015021019]

Preparation for radio , (8UB)

From June 2016

Onboard supply control unit, Front left loudspeaker, Front right loudspeaker, Aerial, Aerial amplifier



- J519 Onboard supply control unit
- R1 Aerial connection
- R2 Front left loudspeaker
- R3 Front right loudspeaker
- R11 Aerial
- R24 Aerial amplifier
- T2au 2-pin connector, colourless, in left door, near exterior mirror
- T2az 2-pin connector, white, in slot for radio, centre of dash panel
- T4s 4-pin connector, black
- T4w 4-pin connector, black
- T8a 8-pin connector, black, in slot for radio, centre of dash panel
- T8b 8-pin connector, brown, in slot for radio, centre of dash panel
- T17c 17-pin connector, white, behind dash panel
- T28a 28-pin connector, black, on left A-pillar
- T28b 28-pin connector, black, on right A-pillar
- T73b 73-pin connector, colourless
- B398 Connection 2 (convenience CAN bus, high), in main wiring harness
- B407 Connection 2 (convenience CAN bus, low), in main wiring harness

- ws = white
- sw = black
- ro = red
- rt = red
- br = brown
- gn = green
- bl = blue
- gr = grey
- li = purple
- vi = purple
- ge = yellow
- or = orange
- rs = pink

15 16 17 18 19 20 21 22 23 24 25 26 27 28

[S60-016031019]

Radio system , (I7D),(I7F)

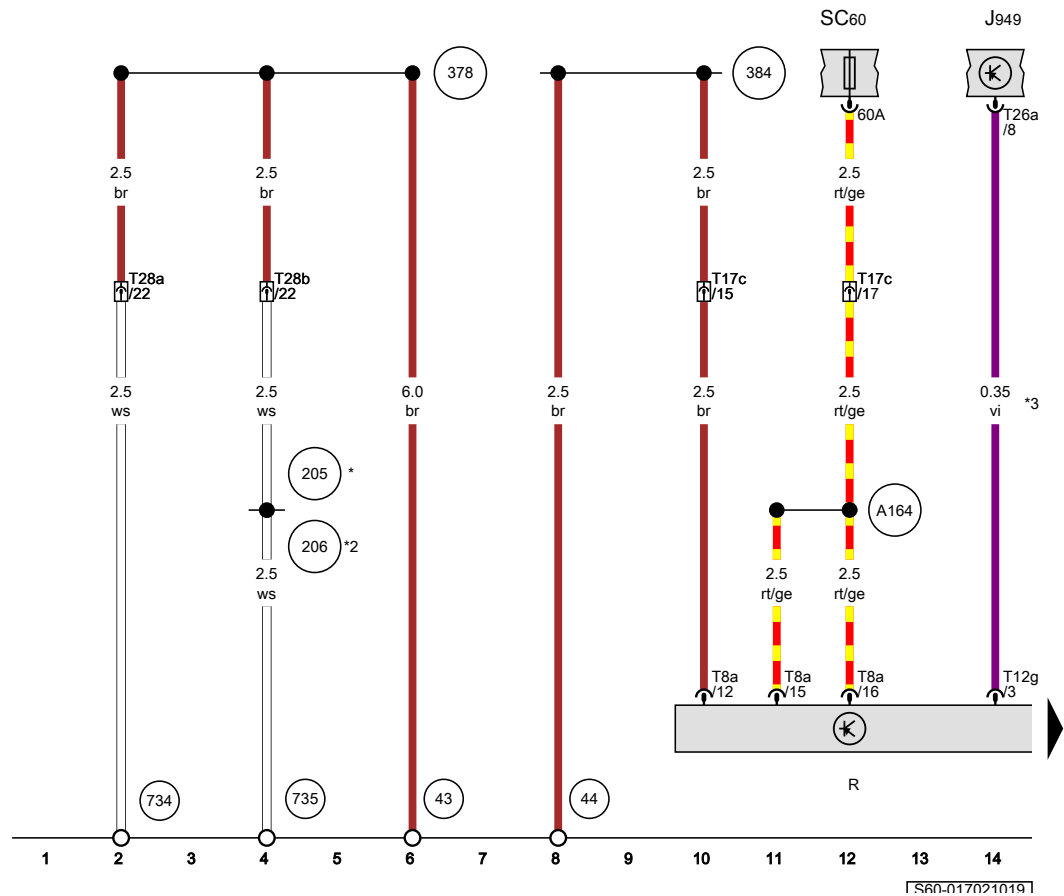
From June 2016

Emergency call module control unit and communication unit, Radio, Fuse 60 on fuse holder C

- J949 Emergency call module control unit and communication unit
- R Radio
- SC60 Fuse 60 on fuse holder C
- T8a 8-pin connector, black
- T12g 12-pin connector, blue
- T17c 17-pin connector, white, behind dash panel
- T26a 26-pin connector, black
- T28a 28-pin connector, black, on left A-pillar
- T28b 28-pin connector, black, on right A-pillar

- 43 Earth point, lower part of right A-pillar
- 44 Earth point, lower part of left A-pillar
- 205 Earth connection, in driver door wiring harness
- 206 Earth connection, in front passenger door wiring harness
- 378 Earth connection 13, in main wiring harness
- 384 Earth connection 19, in main wiring harness
- 734 Earth point in front left door
- 735 Earth point in front right door
- A164 Positive connection 2 (30a) in dash panel wiring harness

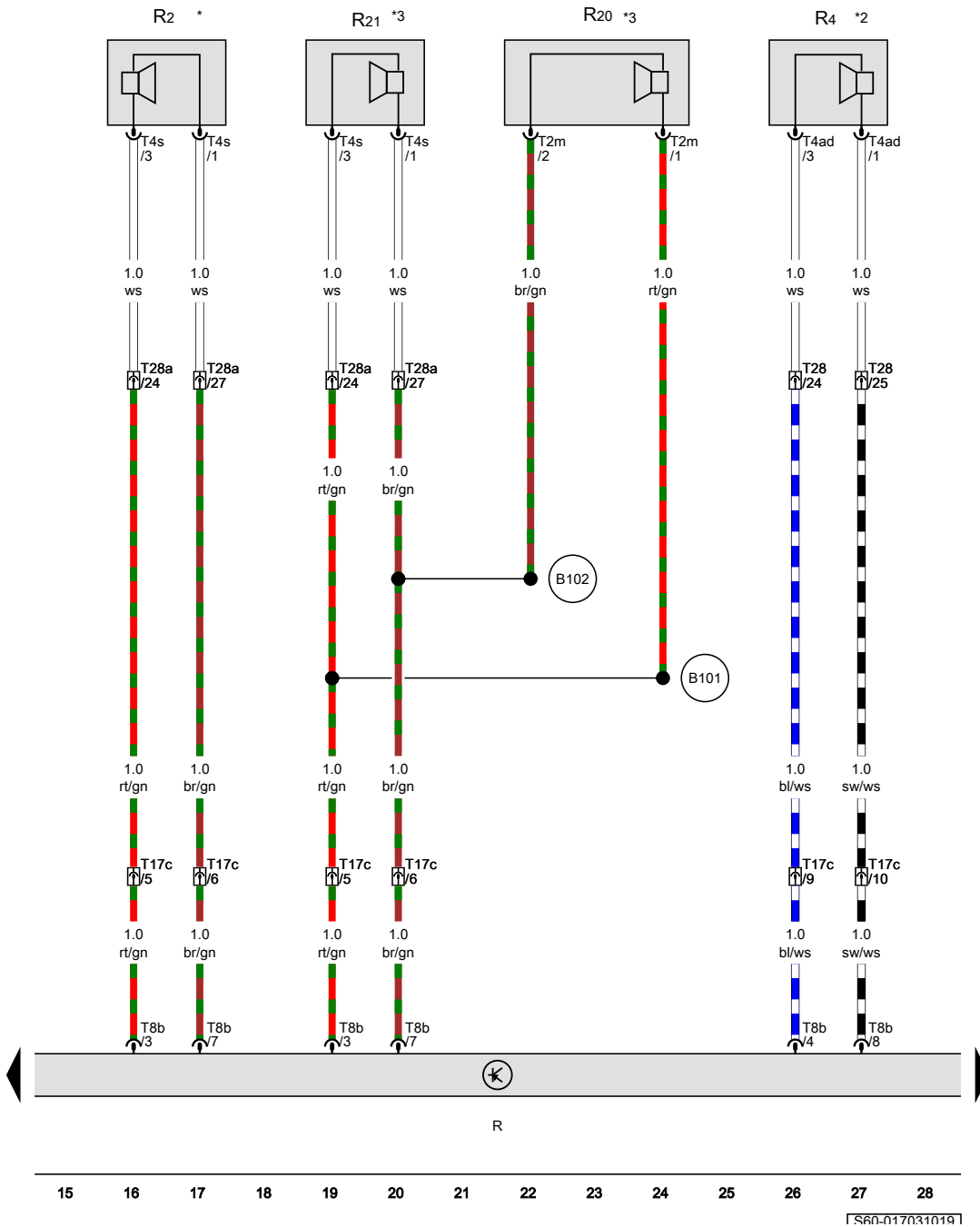
- * For left-hand drive models
- *2 For right-hand drive models
- *3 For models with emergency call module



- ws = white
- sw = black
- ro = red
- rt = red
- br = brown
- gn = green
- bl = blue
- gr = grey
- li = purple
- vi = purple
- ge = yellow
- or = orange
- rs = pink

[S60-017021019]

Radio, Front left loudspeaker, Rear left loudspeaker, Front left treble loudspeaker, Front left bass loudspeaker

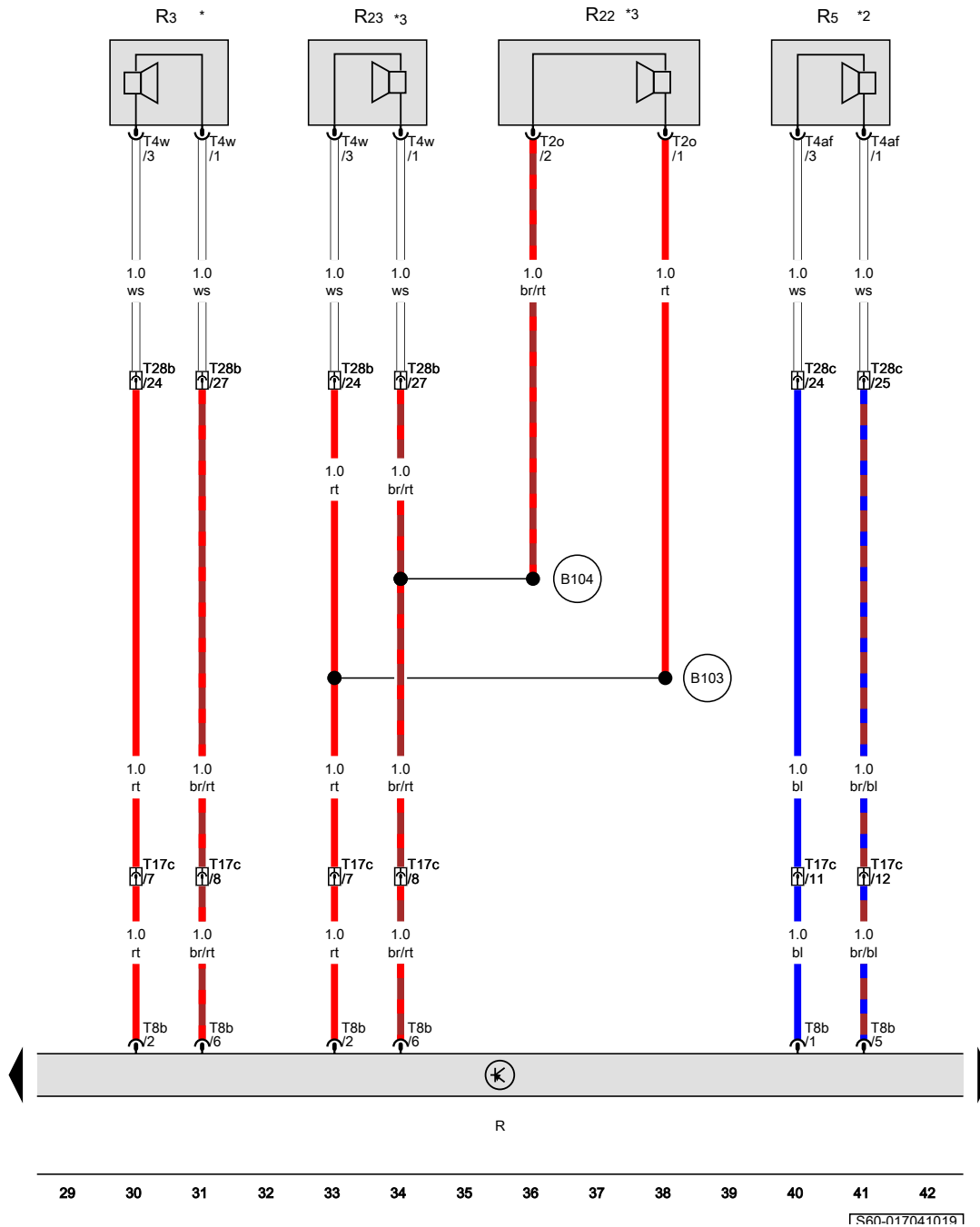


- R Radio
 - R2 Front left loudspeaker
 - R4 Rear left loudspeaker
 - R20 Front left treble loudspeaker
 - R21 Front left bass loudspeaker
 - T2m 2-pin connector, black
 - T4ad 4-pin connector, black
 - T4s 4-pin connector, black
 - T8b 8-pin connector, brown
 - T17c 17-pin connector, white, behind dash panel
 - T28 28-pin connector, black, on left B-pillar
 - T28a 28-pin connector, black, on left A-pillar
- (B101) Connection (positive, front left speaker), in main wiring harness
 - (B102) Connection (negative, front left speaker), in main wiring harness
- * For models with 2 loudspeakers (8RD)
 - *2 For models equipped with 6 passive loudspeakers
 - *3 For models with 4 or 6 loudspeakers

- ws = white
- sw = black
- ro = red
- rt = red
- br = brown
- gn = green
- bl = blue
- gr = grey
- li = purple
- vi = purple
- ge = yellow
- or = orange
- rs = pink

[S60-017031019]

Radio, Front right loudspeaker, Rear right loudspeaker, Front right treble loudspeaker, Front right bass loudspeaker

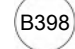



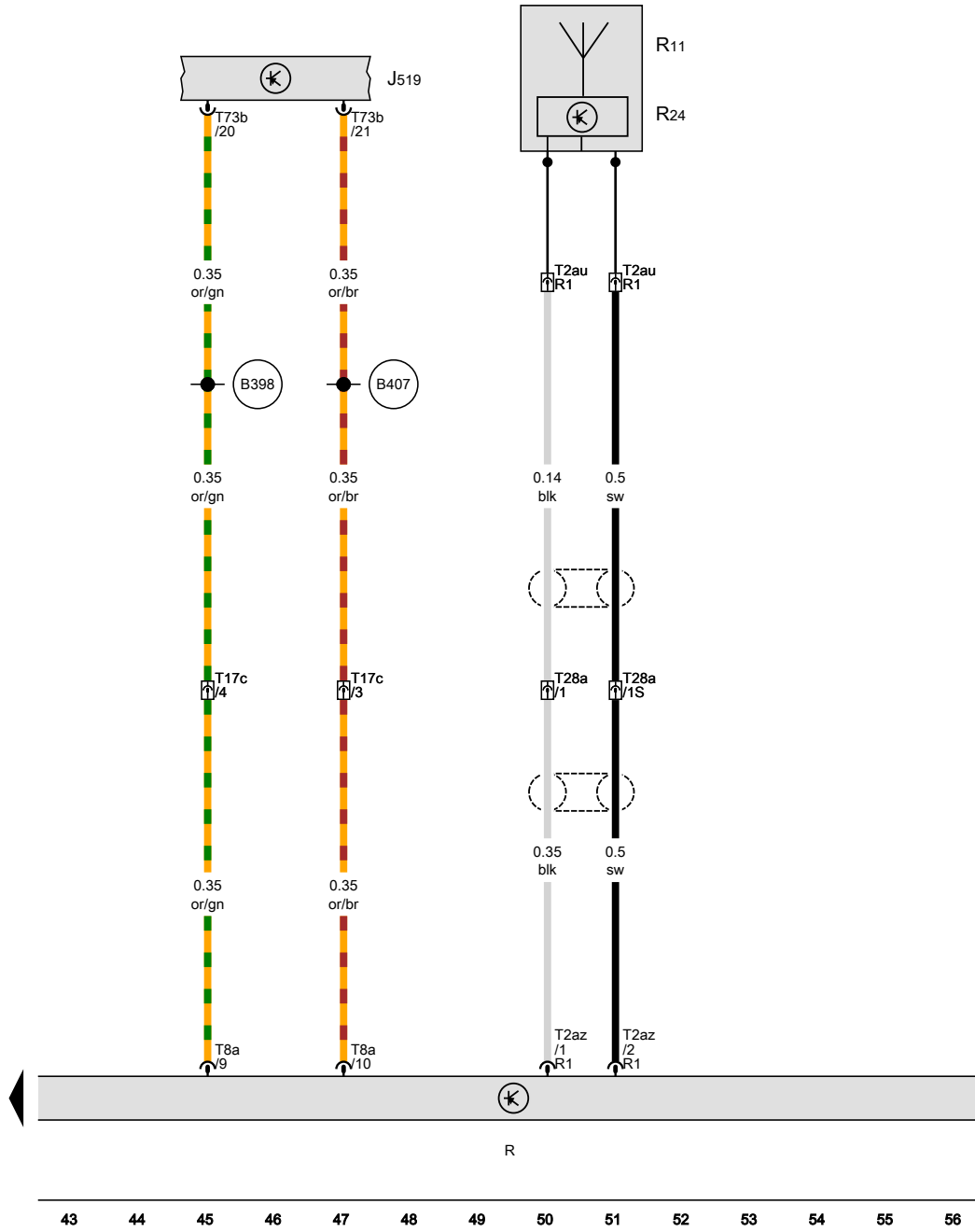
- R Radio
 - R3 Front right loudspeaker
 - R5 Rear right loudspeaker
 - R22 Front right treble loudspeaker
 - R23 Front right bass loudspeaker
 - T2o 2-pin connector, black
 - T4af 4-pin connector, black
 - T4w 4-pin connector, black
 - T8b 8-pin connector, brown
 - T17c 17-pin connector, white, behind dash panel
 - T28b 28-pin connector, black, on right A-pillar
 - T28c 28-pin connector, black, on right B-pillar
- (B103) Connection (positive, front right speaker), in main wiring harness
 - (B104) Connection (negative, front right speaker), in main wiring harness
- * For models with 2 loudspeakers (8RD)
 - *2 For models equipped with 6 passive loudspeakers
 - *3 For models with 4 or 6 loudspeakers

- ws = white
- sw = black
- ro = red
- rt = red
- br = brown
- gn = green
- bl = blue
- gr = grey
- li = purple
- vi = purple
- ge = yellow
- or = orange
- rs = pink

1S60-017041019

Onboard supply control unit, Radio, Aerial, Aerial amplifier

- J519 Onboard supply control unit
- R Radio
- R1 Aerial connection
- R11 Aerial
- R24 Aerial amplifier
- T2au 2-pin connector, colourless, in left door, near exterior mirror
- T2az 2-pin connector, white
- T8a 8-pin connector, black
- T17c 17-pin connector, white, behind dash panel
- T28a 28-pin connector, black, on left A-pillar
- T73b 73-pin connector, colourless
-  B398 Connection 2 (convenience CAN bus, high), in main wiring harness
-  B407 Connection 2 (convenience CAN bus, low), in main wiring harness



- ws = white
- sw = black
- ro = red
- rt = red
- br = brown
- gn = green
- bl = blue
- gr = grey
- li = purple
- vi = purple
- ge = yellow
- or = orange
- rs = pink

[S60-017051019]

Radio system , (I7A),(I7C)

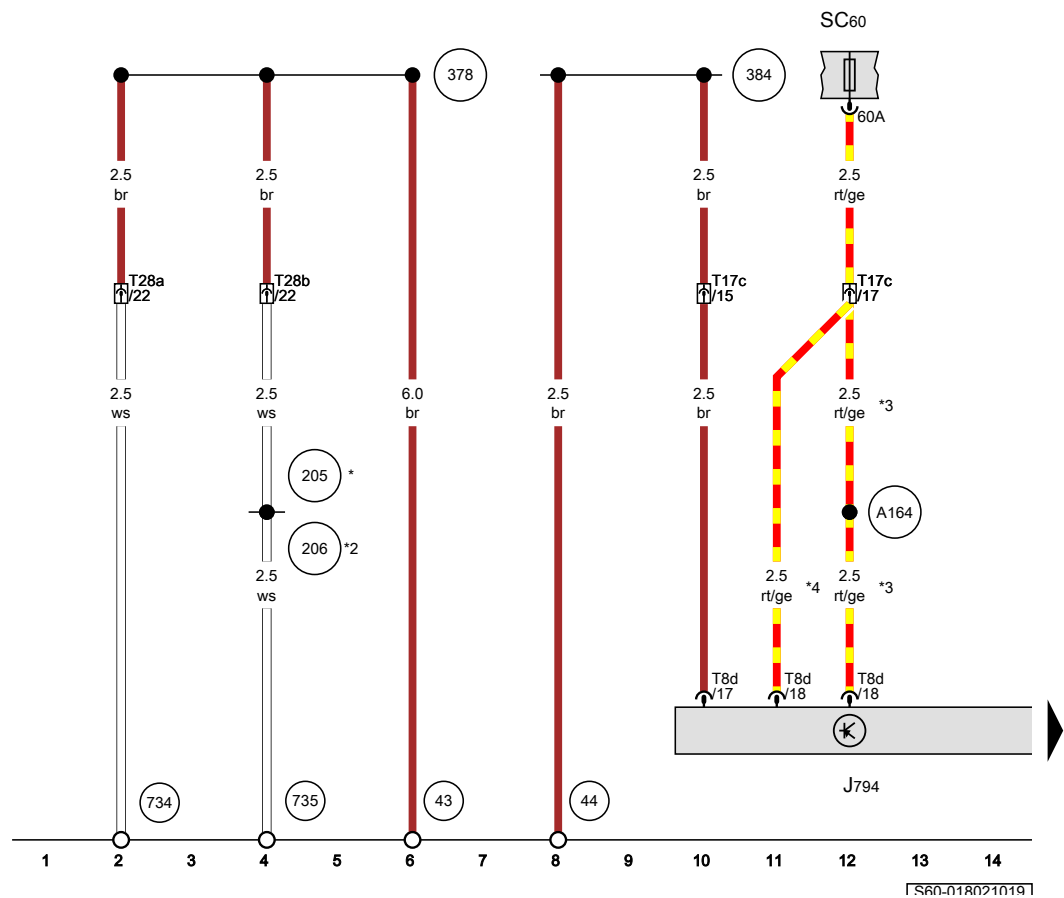
From June 2016

Control unit 1 for information electronics, Fuse 60 on fuse holder C

- J794 Control unit 1 for information electronics
- SC60 Fuse 60 on fuse holder C
- T8d 8-pin connector, black
- T17c 17-pin connector, white, behind dash panel
- T28a 28-pin connector, black, on left A-pillar
- T28b 28-pin connector, black, on right A-pillar

- 43 Earth point, lower part of right A-pillar
- 44 Earth point, lower part of left A-pillar
- 205 Earth connection, in driver door wiring harness
- 206 Earth connection, in front passenger door wiring harness
- 378 Earth connection 13, in main wiring harness
- 384 Earth connection 19, in main wiring harness
- 734 Earth point in front left door
- 735 Earth point in front right door
- A164 Positive connection 2 (30a) in dash panel wiring harness

- * For left-hand drive models
- *2 For right-hand drive models
- *3 Up to January 2018
- *4 From January 2018



- ws = white
- sw = black
- ro = red
- rt = red
- br = brown
- gn = green
- bl = blue
- gr = grey
- li = purple
- vi = purple
- ge = yellow
- or = orange
- rs = pink

[S60-018021019]

Control unit 1 for information electronics, Front left loudspeaker, Rear left loudspeaker, Front left treble loudspeaker, Front left bass loudspeaker

J794 Control unit 1 for information electronics

R2 Front left loudspeaker

R4 Rear left loudspeaker

R20 Front left treble loudspeaker

R21 Front left bass loudspeaker

T2m 2-pin connector, black

T4ad 4-pin connector, black

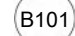
T4s 4-pin connector, black

T8b 8-pin connector, brown

T17c 17-pin connector, white, behind dash panel

T28 28-pin connector, black, on left B-pillar

T28a 28-pin connector, black, on left A-pillar

 B101 Connection (positive, front left speaker), in main wiring harness

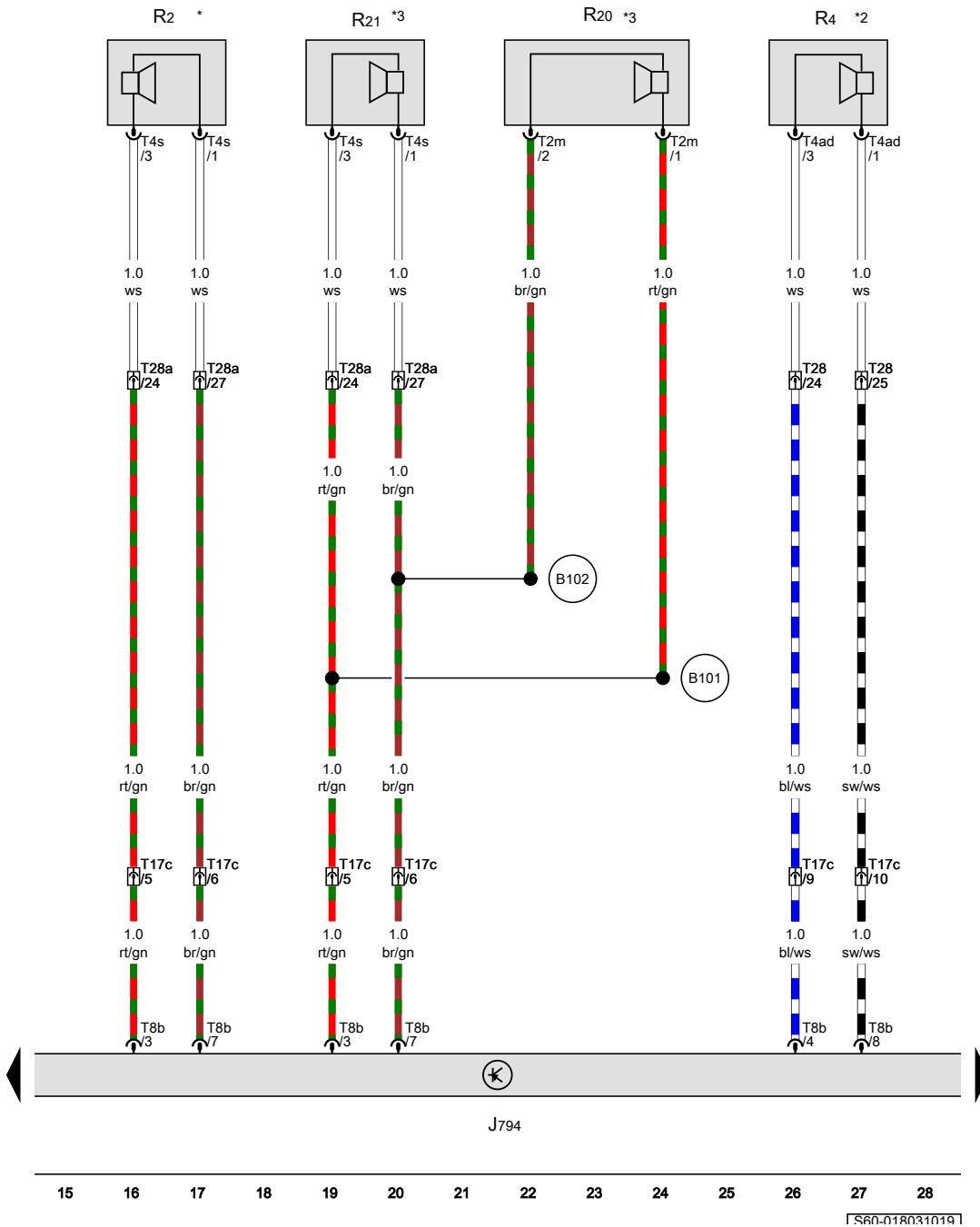
 B102 Connection (negative, front left speaker), in main wiring harness

* For models with 2 loudspeakers (8RD)

*2 For models equipped with 6 passive loudspeakers

*3 For models with 4 or 6 loudspeakers

ws = white
 sw = black
 ro = red
 rt = red
 br = brown
 gn = green
 bl = blue
 gr = grey
 li = purple
 vi = purple
 ge = yellow
 or = orange
 rs = pink



15 16 17 18 19 20 21 22 23 24 25 26 27 28

Control unit 1 for information electronics, Front right loudspeaker, Rear right loudspeaker, Front right treble loudspeaker, Front right bass loudspeaker

J794 Control unit 1 for information electronics

R3 Front right loudspeaker

R5 Rear right loudspeaker

R22 Front right treble loudspeaker

R23 Front right bass loudspeaker

T2o 2-pin connector, black

T4af 4-pin connector, black

T4w 4-pin connector, black

T8b 8-pin connector, brown

T17c 17-pin connector, white, behind dash panel

T28b 28-pin connector, black, on right A-pillar

T28c 28-pin connector, black, on right B-pillar

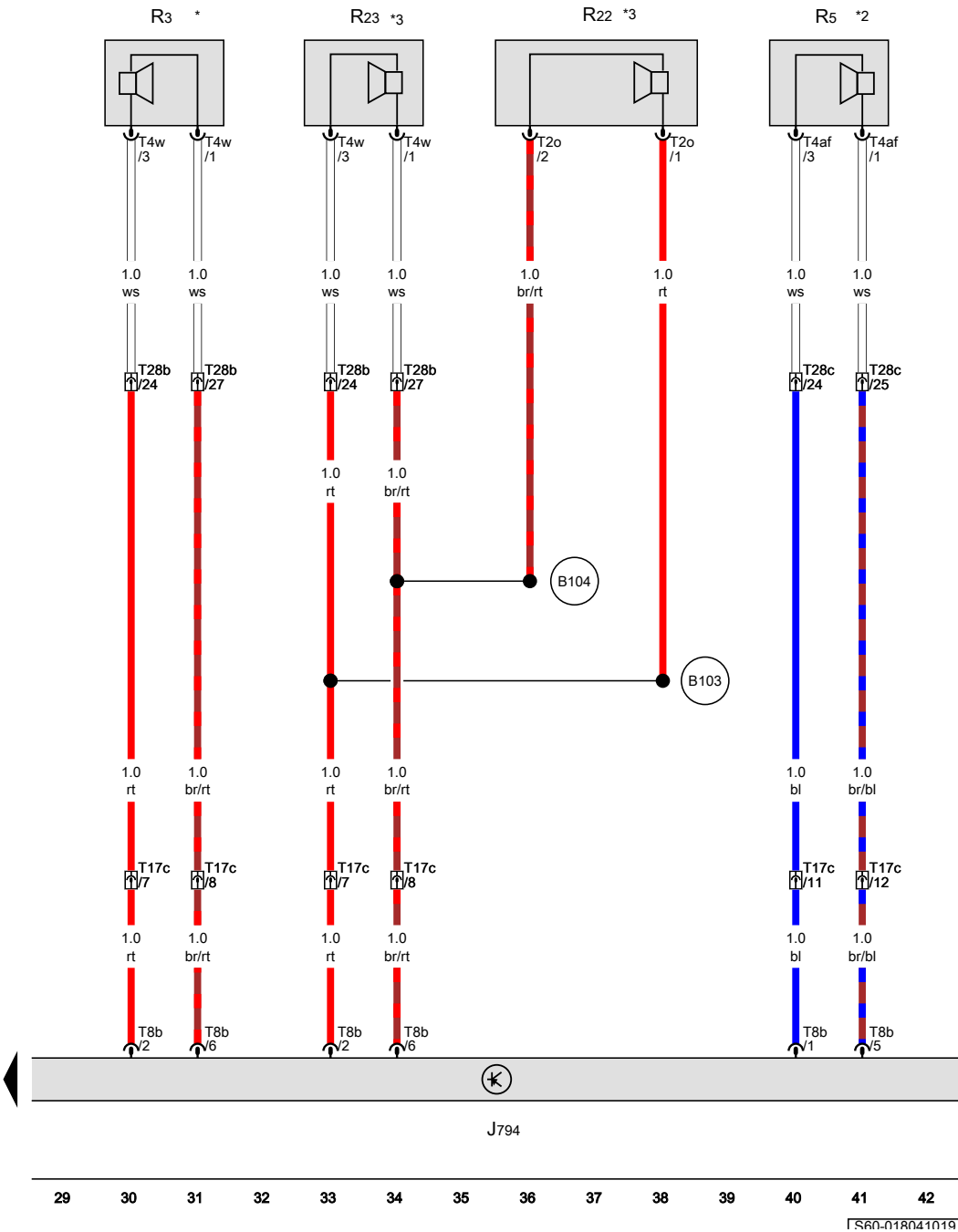
B103 Connection (positive, front right speaker), in main wiring harness

B104 Connection (negative, front right speaker), in main wiring harness

* For models with 2 loudspeakers (8RD)

*2 For models equipped with 6 passive loudspeakers

*3 For models with 4 or 6 loudspeakers

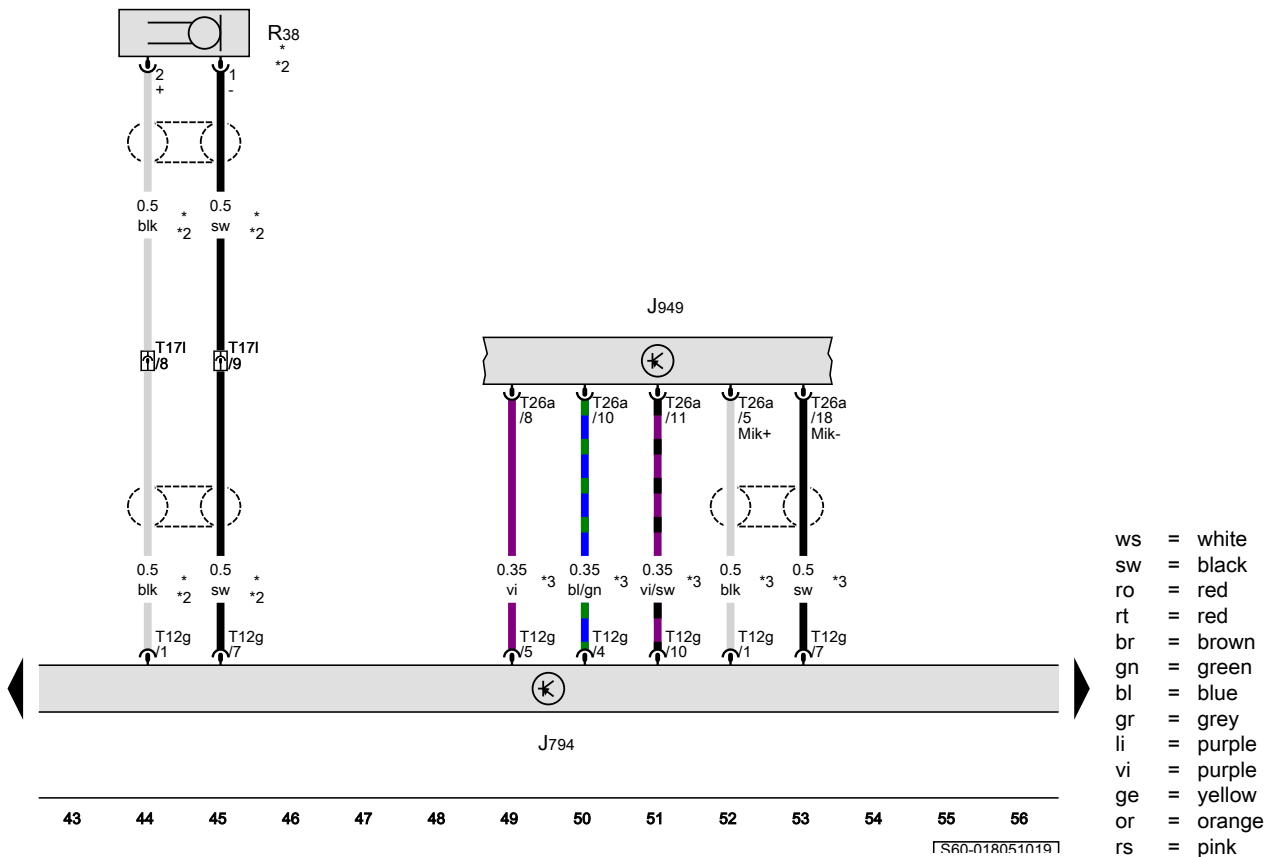


- ws = white
- sw = black
- ro = red
- rt = red
- br = brown
- gn = green
- bl = blue
- gr = grey
- li = purple
- vi = purple
- ge = yellow
- or = orange
- rs = pink

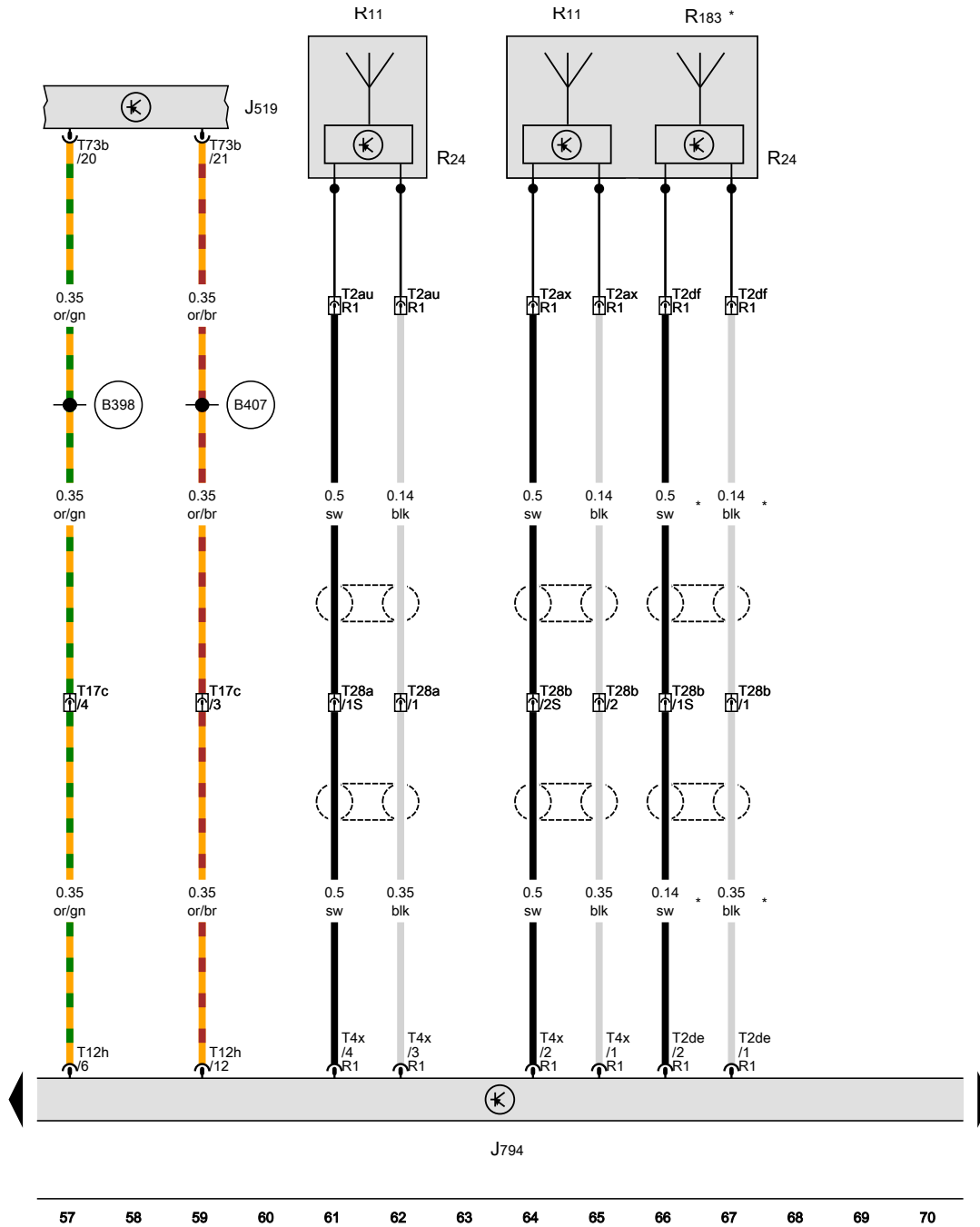
1S60-0180410191

Control unit 1 for information electronics, Emergency call module control unit and communication unit, Telephone microphone

- J794 Control unit 1 for information electronics
- J949 Emergency call module control unit and communication unit
- R38 Telephone microphone, near front interior light
- T12g 12-pin connector, blue
- T17l 17-pin connector, brown, behind dash panel
- T26a 26-pin connector, black
- * For models with preparation for mobile telephone
- *2 For models with no emergency call module
- *3 For models with emergency call module



[S60-018051019]



Onboard supply control unit, Control unit 1 for information electronics, Aerial, Aerial amplifier, Digital radio aerial

- J519 Onboard supply control unit
- J794 Control unit 1 for information electronics
- R1 Aerial connection
- R11 Aerial
- R24 Aerial amplifier
- R183 Digital radio aerial
- T2au 2-pin connector, colourless, in left door, near exterior mirror
- T2ax 2-pin connector, yellow, in right door, near exterior mirror
- T2de 2-pin connector, black
- T2df 2-pin connector, black, in right door, near exterior mirror
- T4x 4-pin connector, white
- T12h 12-pin connector, grey
- T17c 17-pin connector, white, behind dash panel
- T28a 28-pin connector, black, on left A-pillar
- T28b 28-pin connector, black, on right A-pillar
- T73b 73-pin connector, colourless

B398 Connection 2 (convenience CAN bus, high), in main wiring harness

B407 Connection 2 (convenience CAN bus, low), in main wiring harness

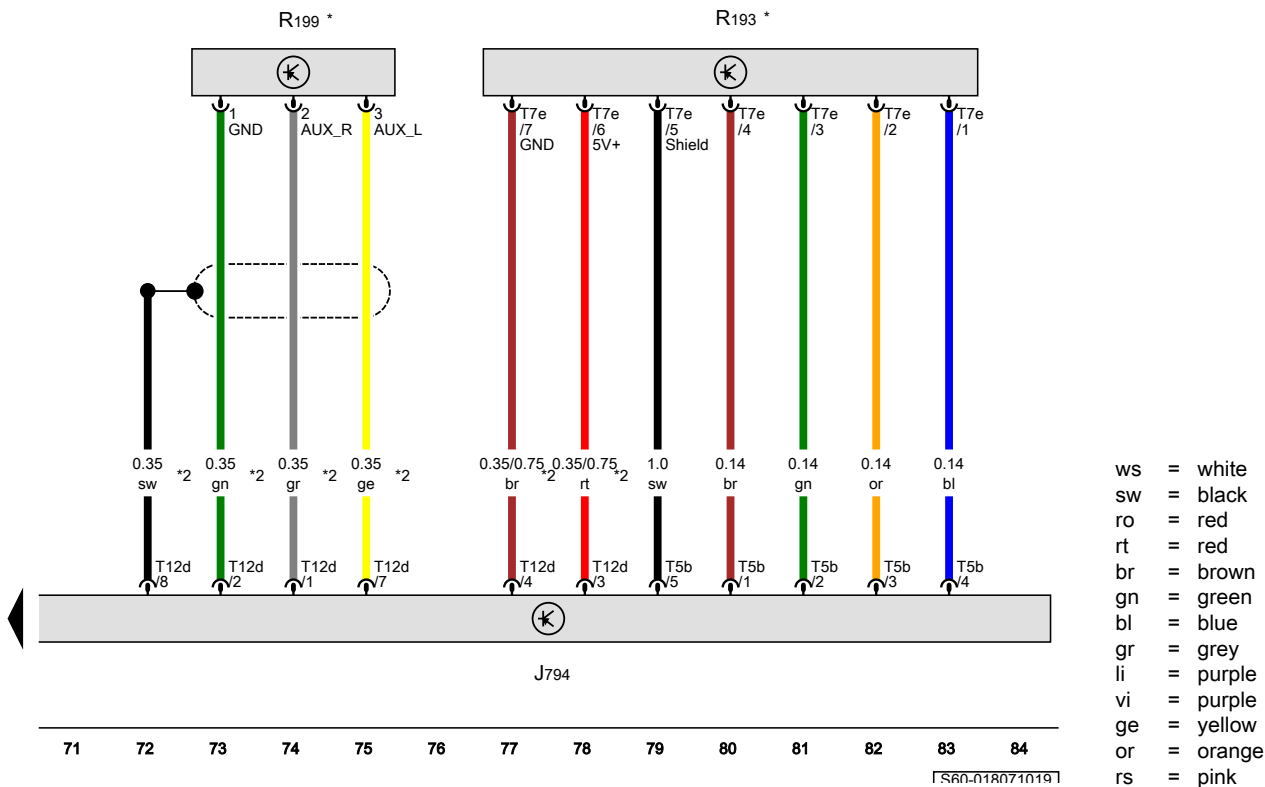
* For models with digital radio

- ws = white
- sw = black
- ro = red
- rt = red
- br = brown
- gn = green
- bl = blue
- gr = grey
- li = purple
- vi = purple
- ge = yellow
- or = orange
- rs = pink

[S60-018061019]

Control unit 1 for information electronics, Connection for external audio sources

- J794 Control unit 1 for information electronics
- R193 USB connection holder, in centre console, under radio
- R199 Connection for external audio sources, in centre console, under radio
- T5b 5-pin connector, yellow
- T7e 7-pin connector, green
- T12d 12-pin connector, green
- * For models with multimedia socket for external audio source
- *2 According to equipment



[S60-018071019]

Radio navigation system , (8AY)

From June 2016

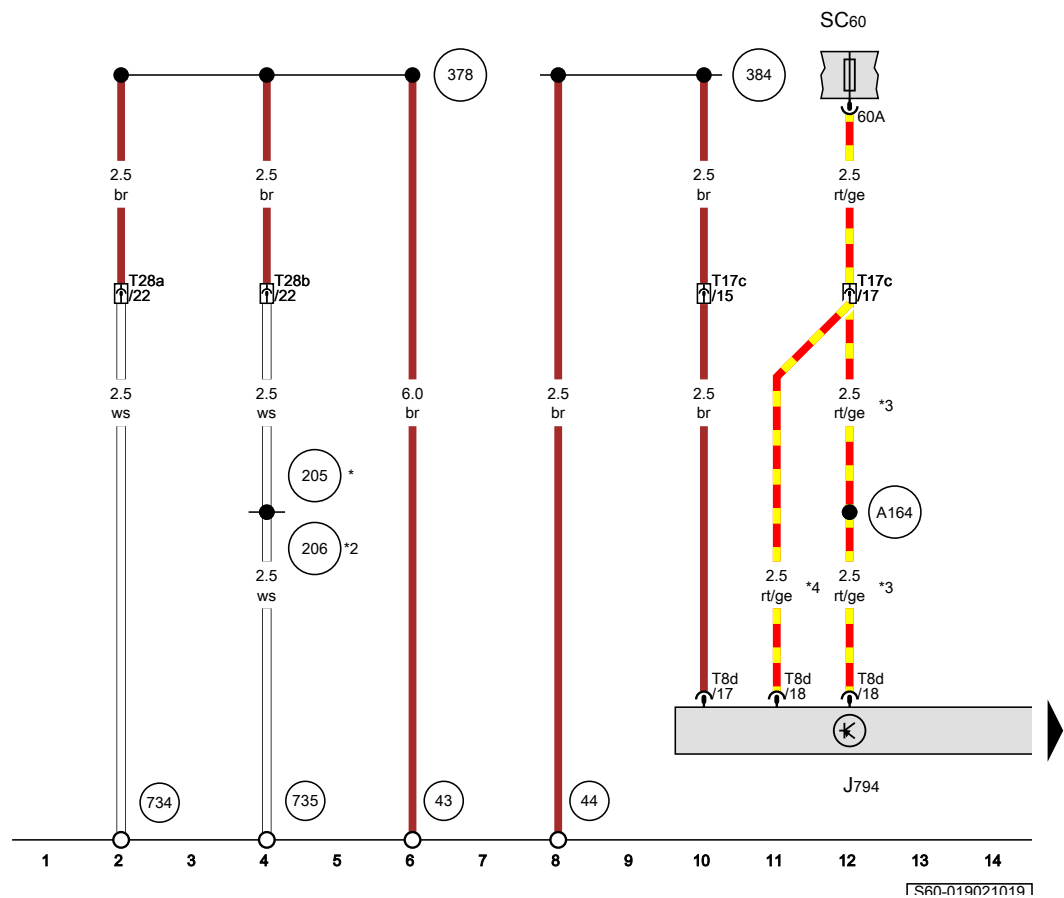
Control unit 1 for information electronics, Fuse 60 on fuse holder C

- J794 Control unit 1 for information electronics
- SC60 Fuse 60 on fuse holder C
- T8d 8-pin connector, black
- T17c 17-pin connector, white, behind dash panel
- T28a 28-pin connector, black, on left A-pillar
- T28b 28-pin connector, black, on right A-pillar

- 43 Earth point, lower part of right A-pillar
- 44 Earth point, lower part of left A-pillar
- 205 Earth connection, in driver door wiring harness
- 206 Earth connection, in front passenger door wiring harness
- 378 Earth connection 13, in main wiring harness
- 384 Earth connection 19, in main wiring harness
- 734 Earth point in front left door
- 735 Earth point in front right door
- A164 Positive connection 2 (30a) in dash panel wiring harness

- * For left-hand drive models
- *2 For right-hand drive models
- *3 Up to January 2018
- *4 From January 2018

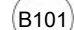
- ws = white
- sw = black
- ro = red
- rt = red
- br = brown
- gn = green
- bl = blue
- gr = grey
- li = purple
- vi = purple
- ge = yellow
- or = orange
- rs = pink

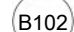


[S60-019021019]

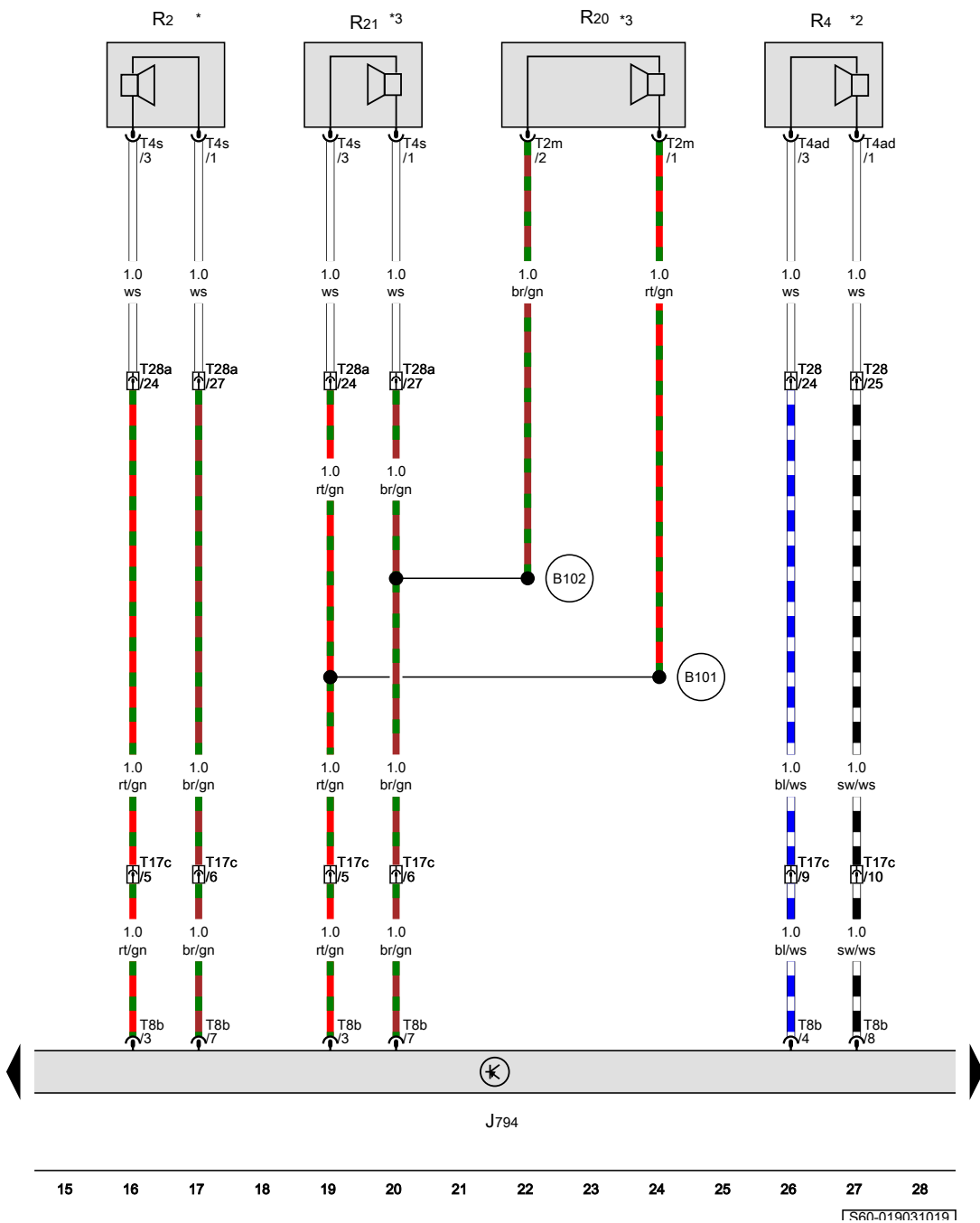
Control unit 1 for information electronics, Front left loudspeaker, Rear left loudspeaker, Front left treble loudspeaker, Front left bass loudspeaker

- J794 Control unit 1 for information electronics
- R2 Front left loudspeaker
- R4 Rear left loudspeaker
- R20 Front left treble loudspeaker
- R21 Front left bass loudspeaker
- T2m 2-pin connector, black
- T4ad 4-pin connector, black
- T4s 4-pin connector, black
- T8b 8-pin connector, brown
- T17c 17-pin connector, white, behind dash panel
- T28 28-pin connector, black, on left B-pillar
- T28a 28-pin connector, black, on left A-pillar

 B101 Connection (positive, front left speaker), in main wiring harness

 B102 Connection (negative, front left speaker), in main wiring harness

- * For models with 2 loudspeakers (8RD)
- *2 For models equipped with 6 passive loudspeakers
- *3 For models with 4 or 6 loudspeakers



- ws = white
- sw = black
- ro = red
- rt = red
- br = brown
- gn = green
- bl = blue
- gr = grey
- li = purple
- vi = purple
- ge = yellow
- or = orange
- rs = pink

Control unit 1 for information electronics, Front right loudspeaker, Rear right loudspeaker, Front right treble loudspeaker, Front right bass loudspeaker

J794 Control unit 1 for information electronics

R3 Front right loudspeaker

R5 Rear right loudspeaker

R22 Front right treble loudspeaker

R23 Front right bass loudspeaker

T2o 2-pin connector, black

T4af 4-pin connector, black

T4w 4-pin connector, black

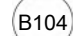
T8b 8-pin connector, brown

T17c 17-pin connector, white, behind dash panel

T28b 28-pin connector, black, on right A-pillar

T28c 28-pin connector, black, on right B-pillar

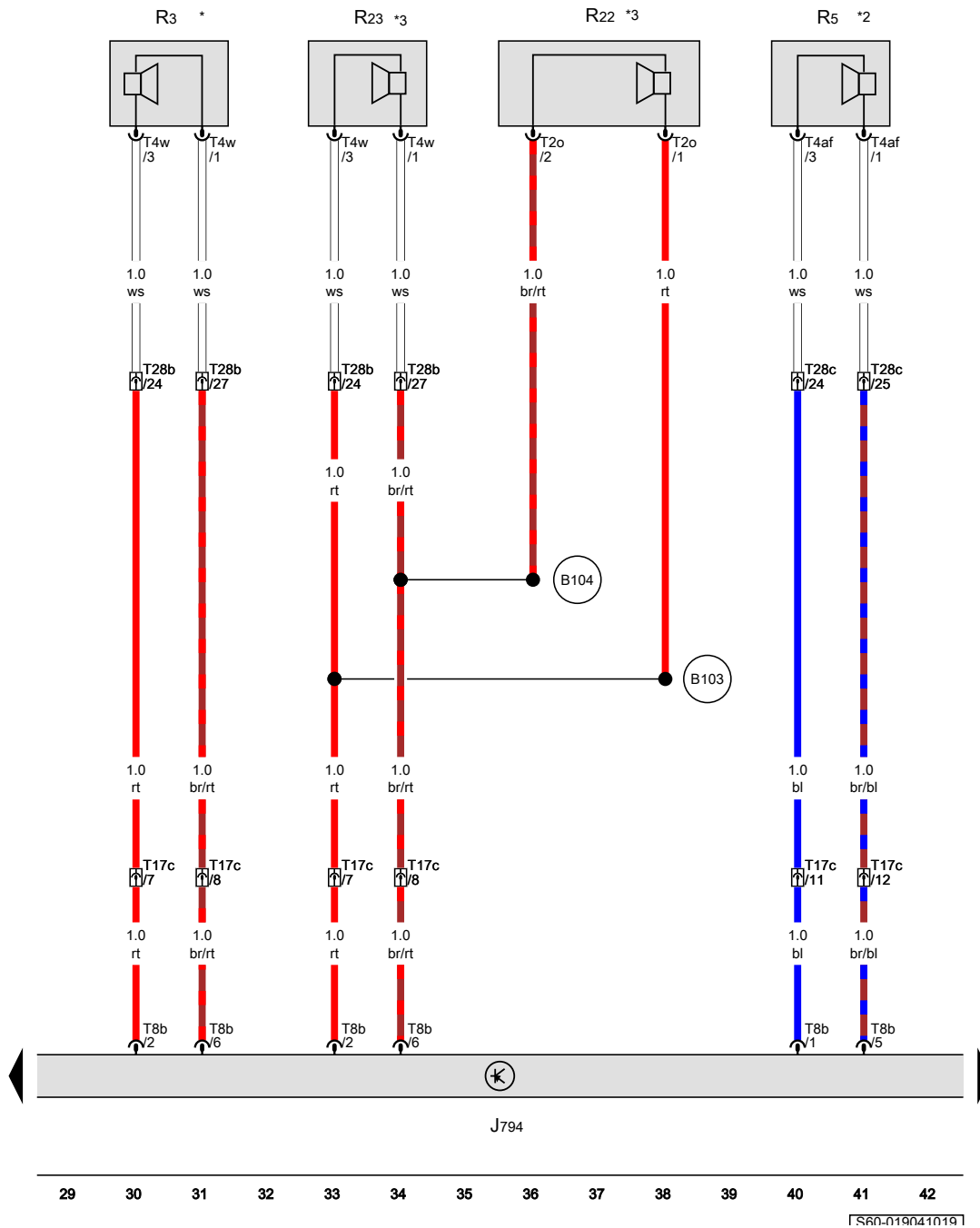
 B103 Connection (positive, front right speaker), in main wiring harness

 B104 Connection (negative, front right speaker), in main wiring harness

* For models with 2 loudspeakers (8RD)

*2 For models equipped with 6 passive loudspeakers

*3 For models with 4 or 6 loudspeakers

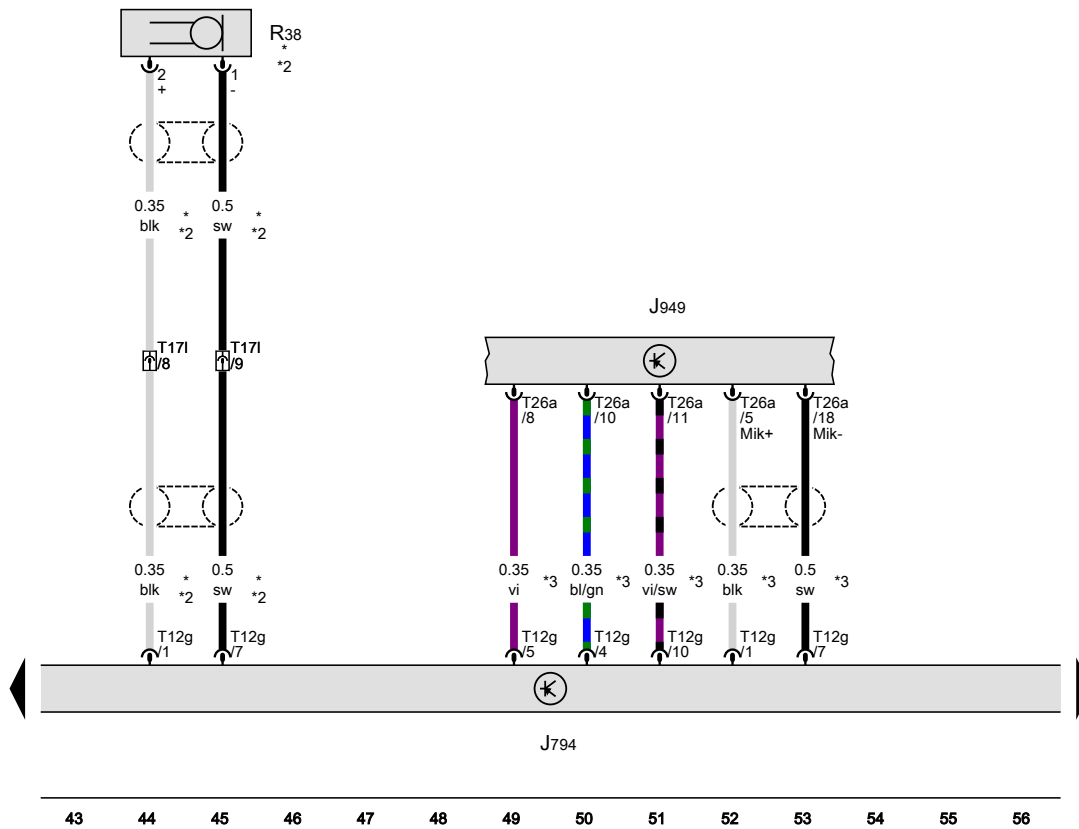


- ws = white
- sw = black
- ro = red
- rt = red
- br = brown
- gn = green
- bl = blue
- gr = grey
- li = purple
- vi = purple
- ge = yellow
- or = orange
- rs = pink

1S60-0190410191

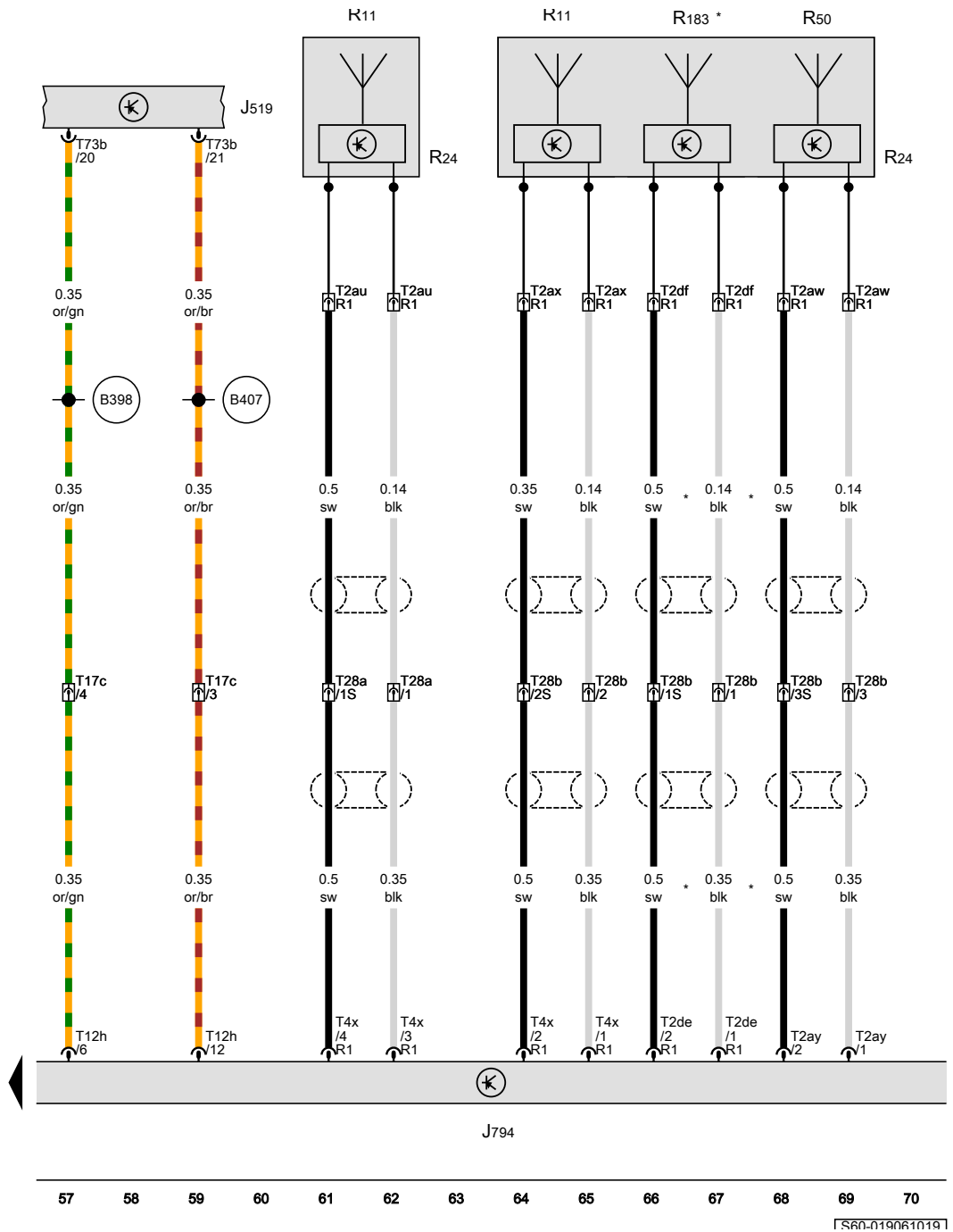
Control unit 1 for information electronics, Emergency call module control unit and communication unit, Telephone microphone

- J794 Control unit 1 for information electronics
- J949 Emergency call module control unit and communication unit
- R38 Telephone microphone, near front interior light
- T12g 12-pin connector, blue
- T17l 17-pin connector, brown, behind dash panel
- T26a 26-pin connector, black
- * For models with preparation for mobile telephone
- *2 For models with no emergency call module
- *3 For models with emergency call module



- ws = white
- sw = black
- ro = red
- rt = red
- br = brown
- gn = green
- bl = blue
- gr = grey
- li = purple
- vi = purple
- ge = yellow
- or = orange
- rs = pink

[S60-019051019]



Onboard supply control unit, Control unit 1 for information electronics, Aerial, Aerial amplifier, GPS aerial, Digital radio aerial

- J519 Onboard supply control unit
- J794 Control unit 1 for information electronics
- R1 Aerial connection
- R11 Aerial
- R24 Aerial amplifier
- R50 GPS aerial
- R183 Digital radio aerial
- T2au 2-pin connector, colourless, in left door, near exterior mirror
- T2aw 2-pin connector, in right door, near exterior mirror, blue, in right door, near exterior mirror
- T2ax 2-pin connector, yellow, in right door, near exterior mirror
- T2ay 2-pin connector, blue
- T2de 2-pin connector, black
- T2df 2-pin connector, black, in right door, near exterior mirror
- T4x 4-pin connector, black
- T12h 12-pin connector, grey
- T17c 17-pin connector, white, behind dash panel
- T28a 28-pin connector, black, on left A-pillar
- T28b 28-pin connector, black, on right A-pillar
- T73b 73-pin connector, colourless

B398 Connection 2 (convenience CAN bus, high), in main wiring harness

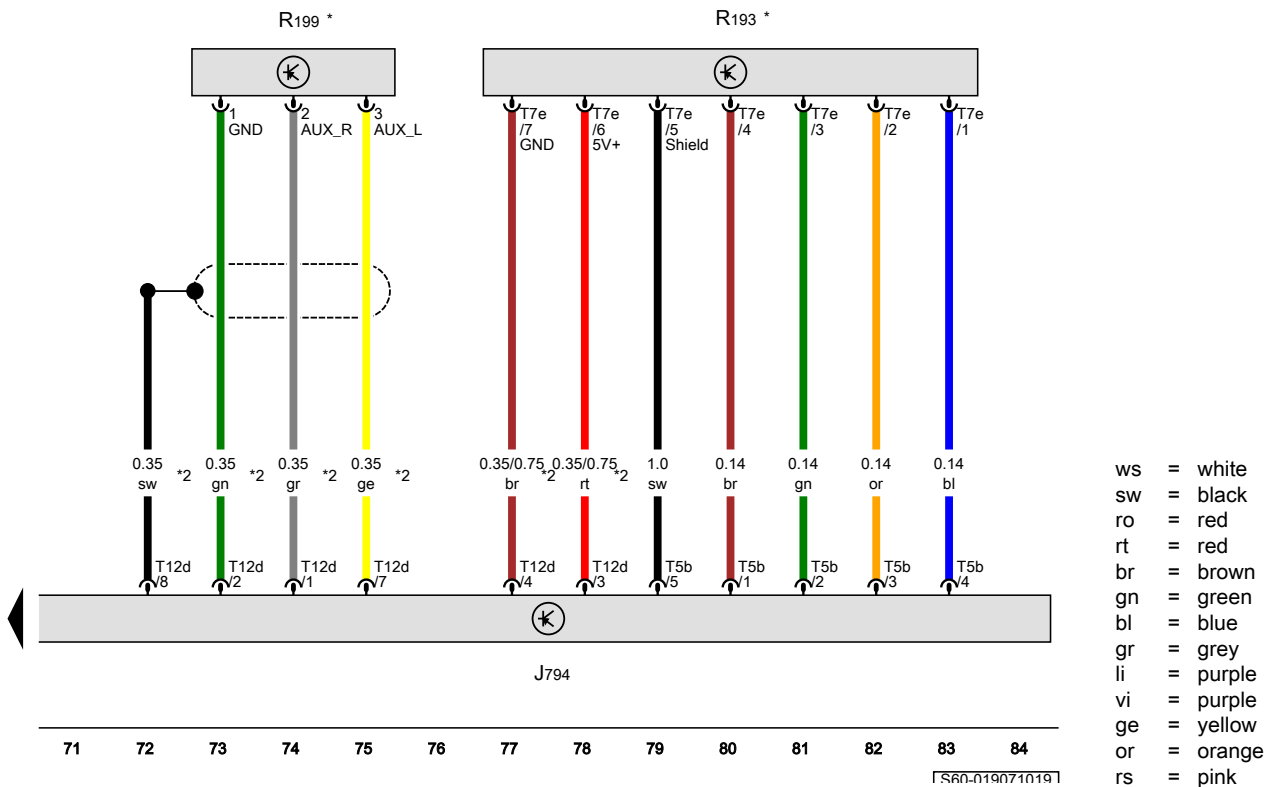
B407 Connection 2 (convenience CAN bus, low), in main wiring harness

* For models with digital radio

- ws = white
- sw = black
- ro = red
- rt = red
- br = brown
- gn = green
- bl = blue
- gr = grey
- li = purple
- vi = purple
- ge = yellow
- or = orange
- rs = pink

Control unit 1 for information electronics, Connection for external audio sources

- J794 Control unit 1 for information electronics
- R193 USB connection holder, in centre console, under radio
- R199 Connection for external audio sources, in centre console, under radio
- T5b 5-pin connector, yellow
- T7e 7-pin connector, green
- T12d 12-pin connector, green
- * For models with multimedia socket for external audio source
- *2 According to equipment

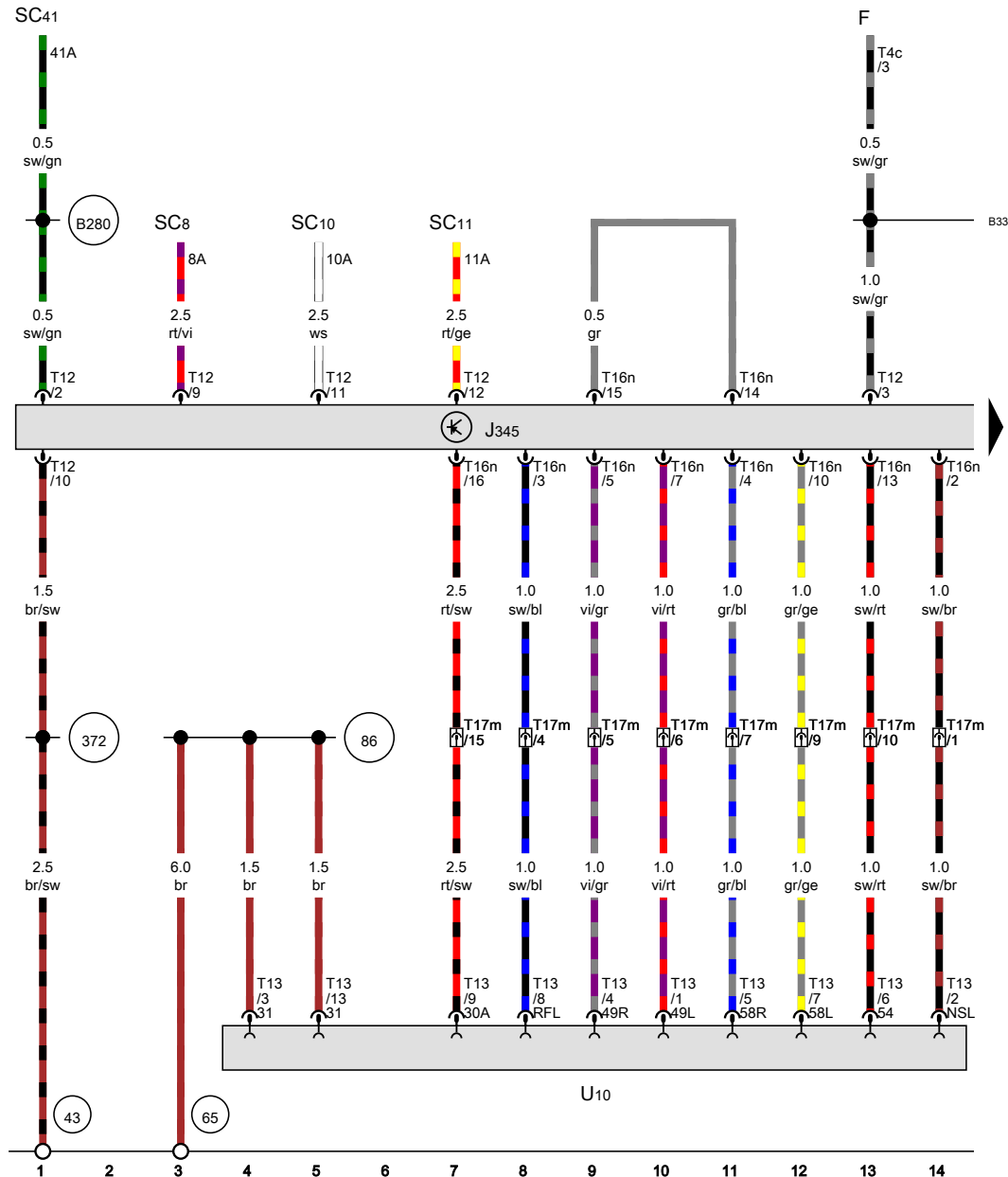


[S60-019071019]

Trailer coupling , (1D1),(1M0)

From June 2016

Brake light switch, Trailer detector control unit, Fuse 8 on fuse holder C, Fuse 10 on fuse holder C, Fuse 11 on fuse holder C, Fuse 41 on fuse holder C, Trailer socket

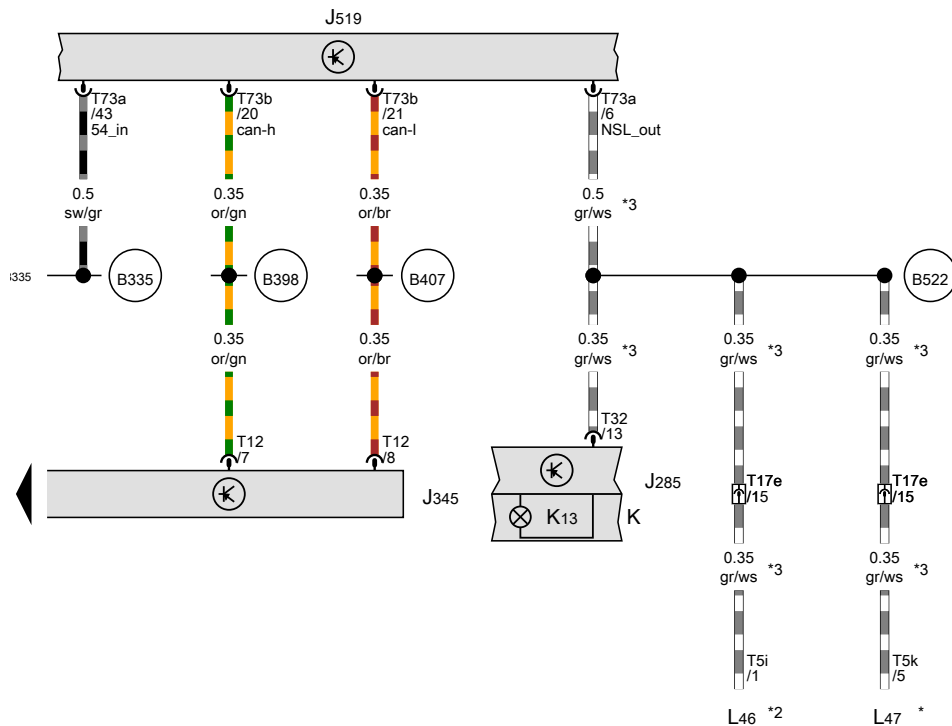


- F Brake light switch
- J345 Trailer detector control unit
- SC8 Fuse 8 on fuse holder C
- SC10 Fuse 10 on fuse holder C
- SC11 Fuse 11 on fuse holder C
- SC41 Fuse 41 on fuse holder C
- T4c 4-pin connector, black
- T12 12-pin connector, red
- T13 13-pin connector, black, on rear skirt
- T16n 16-pin connector, black
- T17m 17-pin connector, brown, near handbrake lever
- U10 Trailer socket

- 43 Earth point, lower part of right A-pillar
- 65 Earth point, on rear of left longitudinal member
- 86 Earth connection 1, in rear wiring harness
- 372 Earth connection 7, in main wiring harness
- B280 Positive connection 4 (15a) in main wiring harness
- B335 Connection 1 (54), in main wiring harness

- ws = white
- sw = black
- ro = red
- rt = red
- br = brown
- gn = green
- bl = blue
- gr = grey
- li = purple
- vi = purple
- ge = yellow
- or = orange
- rs = pink

1360-020021017



Trailer detector control unit, Onboard supply control unit, Rear fog light warning lamp, Rear left fog light bulb

- J285 Control unit in dash panel insert
- J345 Trailer detector control unit
- J519 Onboard supply control unit
- K Dash panel insert
- K13 Rear fog light warning lamp
- L46 Rear left fog light bulb
- L47 Rear right fog light bulb
- T5i 5-pin connector, black
- T5k 5-pin connector, black
- T12 12-pin connector, red
- T17e 17-pin connector, red, near handbrake lever
- T32 32-pin connector, blue
- T73a 73-pin connector, black
- T73b 73-pin connector, white

- B335** Connection 1 (54), in main wiring harness
- B398** Connection 2 (convenience CAN bus, high), in main wiring harness
- B407** Connection 2 (convenience CAN bus, low), in main wiring harness
- B522** Connection (FL), in main wiring harness

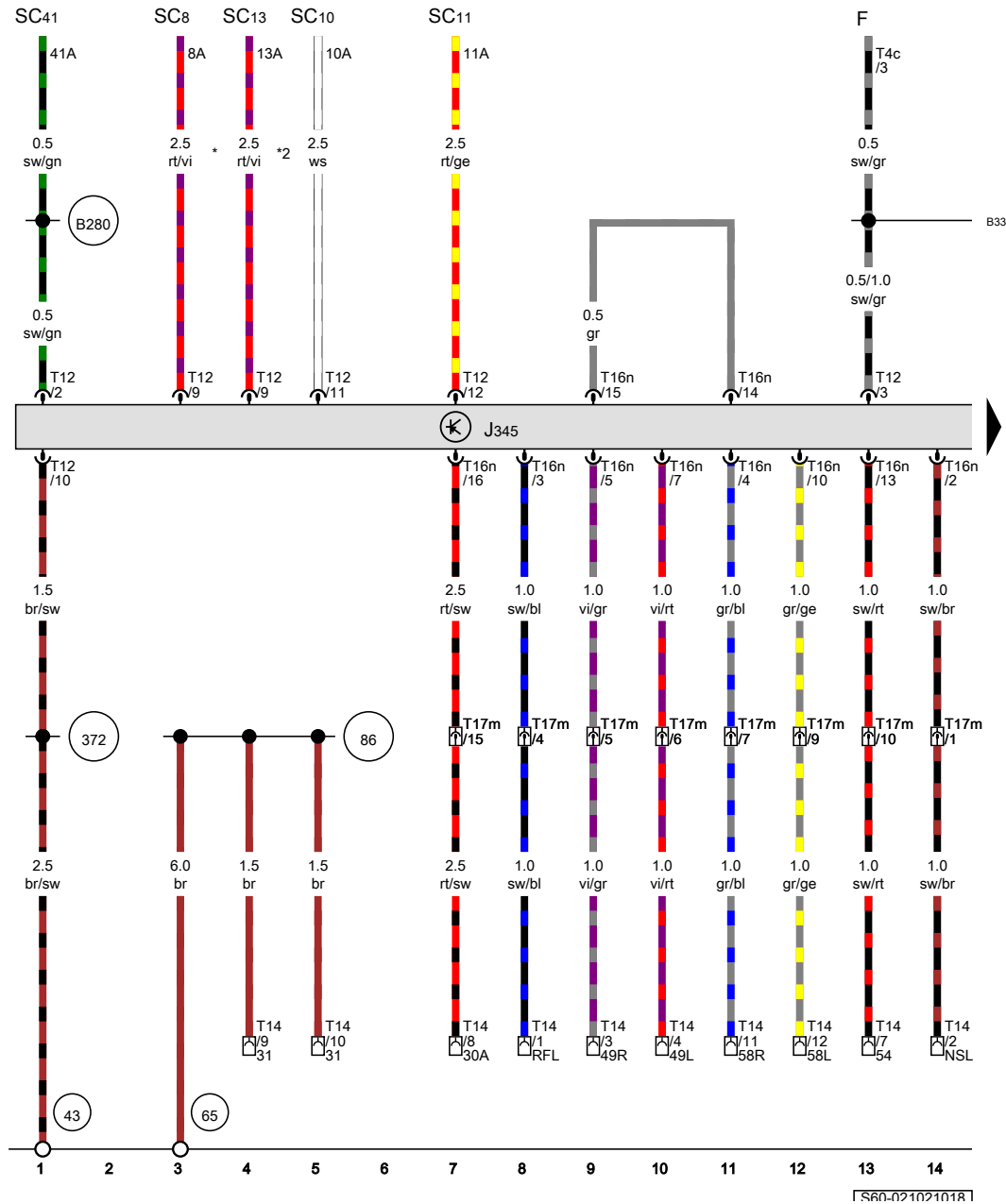
- * For right-hand drive models
- *2 For left-hand drive models
- *3 For models with rear fog light

- ws = white
- sw = black
- ro = red
- rt = red
- br = brown
- gn = green
- bl = blue
- gr = grey
- li = purple
- vi = purple
- ge = yellow
- or = orange
- rs = pink

Trailer coupling , (1D7)

From June 2016

Brake light switch, Trailer detector control unit, Fuse 8 on fuse holder C, Fuse 10 on fuse holder C, Fuse 11 on fuse holder C, Fuse 13 on fuse holder C, Fuse 41 on fuse holder C

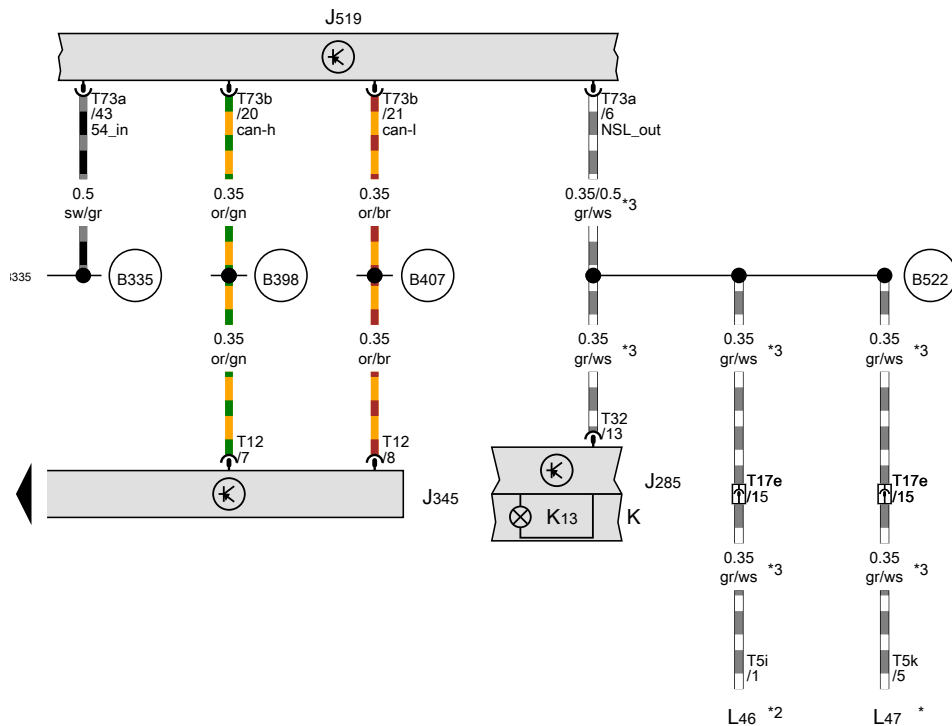


- F Brake light switch
- J345 Trailer detector control unit
- SC8 Fuse 8 on fuse holder C
- SC10 Fuse 10 on fuse holder C
- SC11 Fuse 11 on fuse holder C
- SC13 Fuse 13 on fuse holder C
- SC41 Fuse 41 on fuse holder C
- T4c 4-pin connector, black
- T12 12-pin connector, red
- T14 14-pin connector, black, behind rear bumper on left
- T16n 16-pin connector, black
- T17m 17-pin connector, brown, near handbrake lever

- 43 Earth point, lower part of right A-pillar
- 65 Earth point, on rear of left longitudinal member
- 86 Earth connection 1, in rear wiring harness
- 372 Earth connection 7, in main wiring harness
- B280 Positive connection 4 (15a) in main wiring harness
- B335 Connection 1 (54), in main wiring harness
- * Up to January 2018
- *2 From January 2018

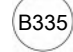



- ws = white
- sw = black
- ro = red
- rt = red
- br = brown
- gn = green
- bl = blue
- gr = grey
- li = purple
- vi = purple
- ge = yellow
- or = orange
- rs = pink

1S60-0210210181



Trailer detector control unit, Onboard supply control unit, Rear fog light warning lamp, Rear left fog light bulb

- J285 Control unit in dash panel insert
- J345 Trailer detector control unit
- J519 Onboard supply control unit
- K Dash panel insert
- K13 Rear fog light warning lamp
- L46 Rear left fog light bulb
- L47 Rear right fog light bulb
- T5i 5-pin connector, black
- T5k 5-pin connector, black
- T12 12-pin connector, red
- T17e 17-pin connector, red, near handbrake lever
- T32 32-pin connector, blue
- T73a 73-pin connector, black
- T73b 73-pin connector, white

-  B335 Connection 1 (54), in main wiring harness
-  B398 Connection 2 (convenience CAN bus, high), in main wiring harness
-  B407 Connection 2 (convenience CAN bus, low), in main wiring harness
-  B522 Connection (FL), in main wiring harness

- * For right-hand drive models
- *2 For left-hand drive models
- *3 For models with rear fog light

- ws = white
- sw = black
- ro = red
- rt = red
- br = brown
- gn = green
- bl = blue
- gr = grey
- li = purple
- vi = purple
- ge = yellow
- or = orange
- rs = pink

Anti-theft alarm system

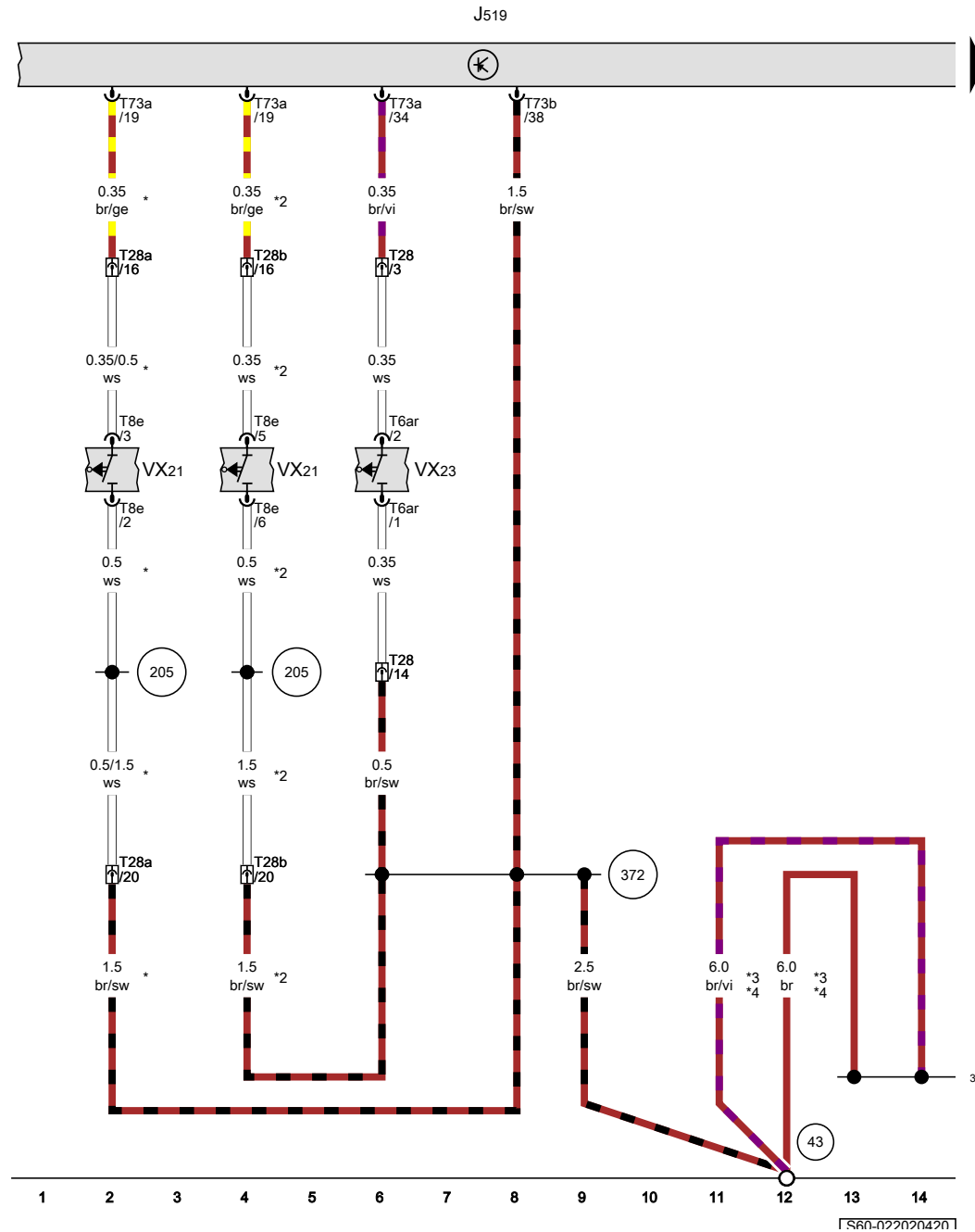
From June 2016

Onboard supply control unit, Driver door lock unit, Rear left door lock unit

- J519 Onboard supply control unit, near driver side A-pillar
- T6ar 6-pin connector, black
- T8e 8-pin connector, black
- T28 28-pin connector, black, on left B-pillar
- T28a 28-pin connector, black, on left A-pillar
- T28b 28-pin connector, black, on right A-pillar
- T73a 73-pin connector, black
- T73b 73-pin connector, colourless
- VX21 Driver door lock unit
- VX23 Rear left door lock unit

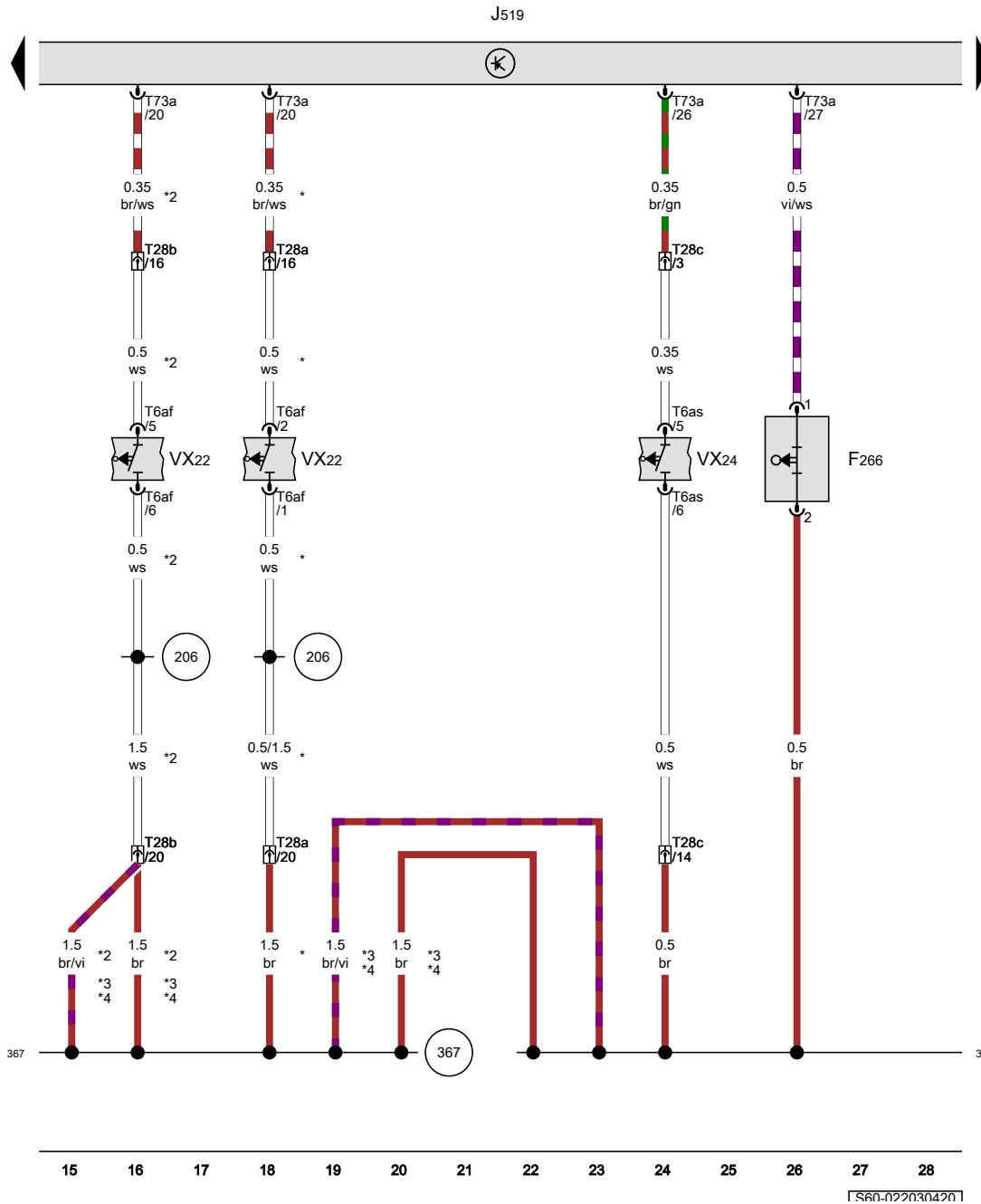
- 43 Earth point, lower part of right A-pillar
- 205 Earth connection, in driver door wiring harness
- 367 Earth connection 2, in main wiring harness
- 372 Earth connection 7, in main wiring harness

- * For left-hand drive models
- *2 For right-hand drive models
- *3 Wiring colour depends on equipment
- *4 see applicable current flow diagram for earthing concept






- ws = white
- sw = black
- ro = red
- rt = red
- br = brown
- gn = green
- bl = blue
- gr = grey
- li = purple
- vi = purple
- ge = yellow
- or = orange
- rs = pink

1S60-0220204201



Bonnet contact switch, Onboard supply control unit, Front passenger door lock unit, Rear right door lock unit

- F266 Bonnet contact switch
- J519 Onboard supply control unit, near driver side A-pillar
- T6af 6-pin connector, black
- T6as 6-pin connector, black
- T28a 28-pin connector, black, on left A-pillar
- T28b 28-pin connector, black, on right A-pillar
- T28c 28-pin connector, black, on right B-pillar
- T73a 73-pin connector, black
- VX22 Front passenger door lock unit
- VX24 Rear right door lock unit

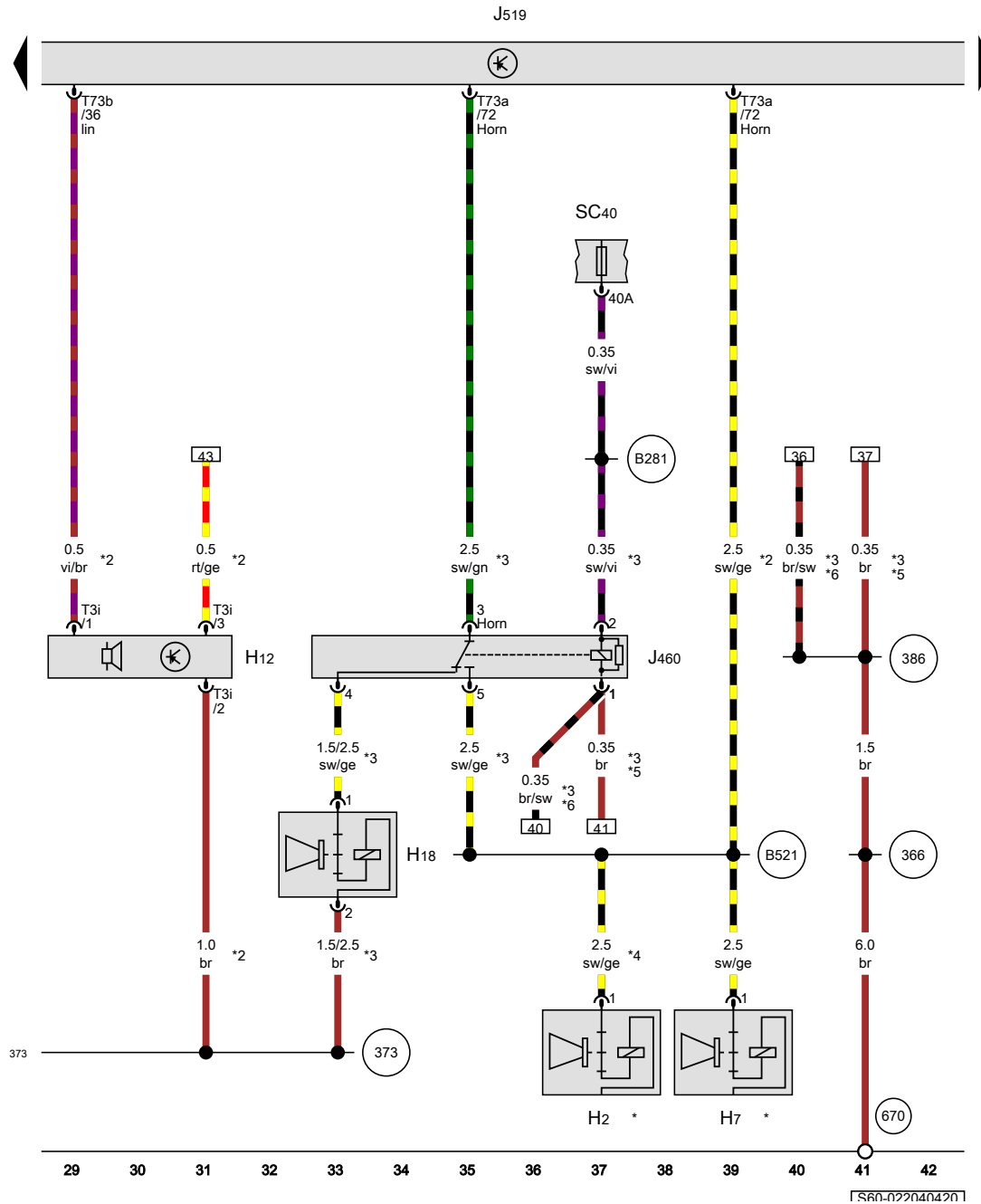
-  206 Earth connection, in front passenger door wiring harness
-  367 Earth connection 2, in main wiring harness
-  373 Earth connection 8, in main wiring harness

- * For right-hand drive models
- *2 For left-hand drive models
- *3 Wiring colour depends on equipment
- *4 see applicable current flow diagram for earthing concept

- ws = white
- sw = black
- ro = red
- rt = red
- br = brown
- gn = green
- bl = blue
- gr = grey
- li = purple
- vi = purple
- ge = yellow
- or = orange
- rs = pink

1560-0220304201

Alarm horn, Alarm system relay 1, Onboard supply control unit, Fuse 40 on fuse holder C



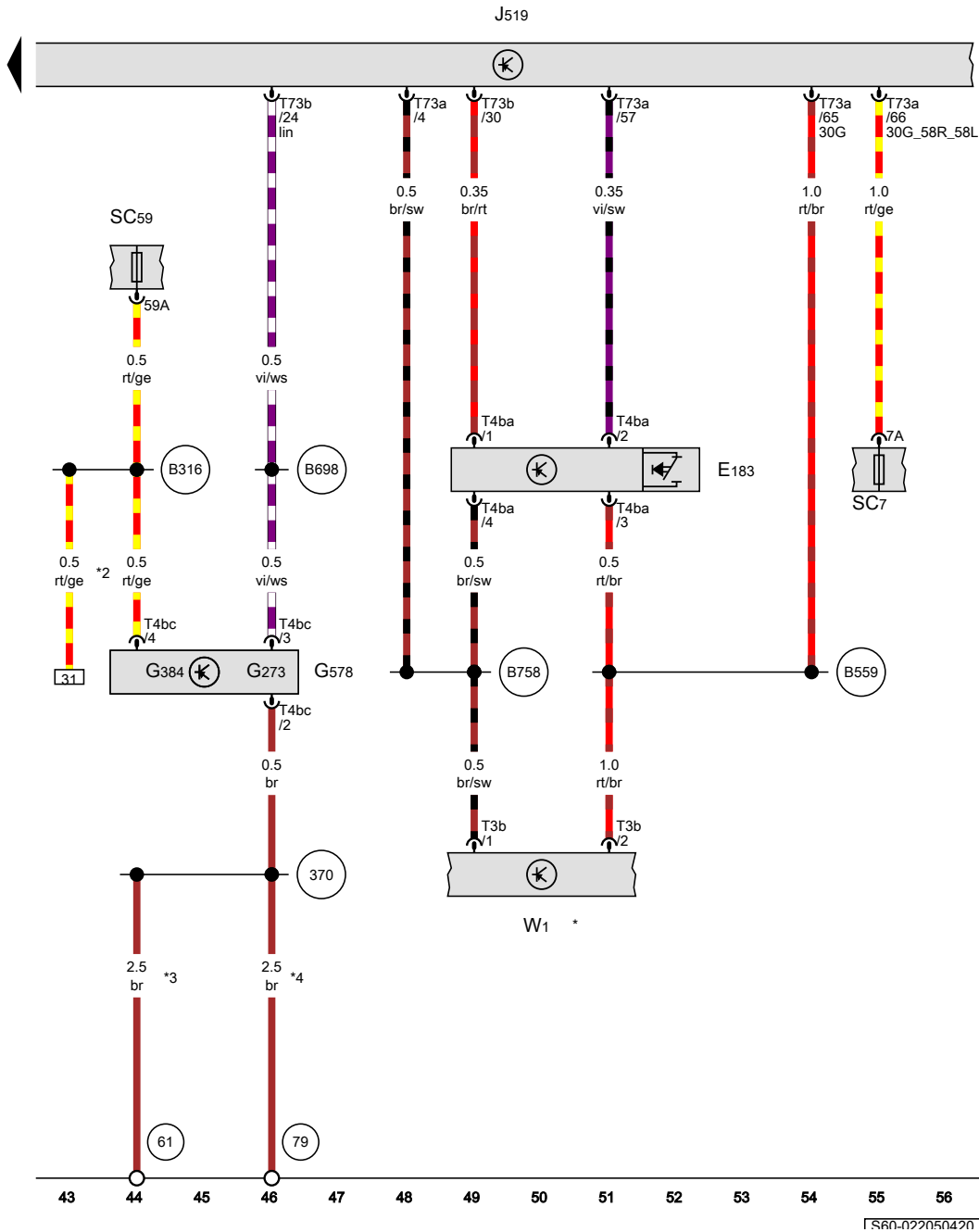
- H2 Treble horn
- H7 Bass horn
- H12 Alarm horn
- H18 Alarm system horn
- J460 Alarm system relay 1
- J519 Onboard supply control unit, near driver side A-pillar
- SC40 Fuse 40 on fuse holder C
- T3i 3-pin connector, black
- T73a 73-pin connector, black
- T73b 73-pin connector, colourless

- 366 Earth connection 1, in main wiring harness
- 373 Earth connection 8, in main wiring harness
- 386 Earth connection 21, in main wiring harness
- 670 Earth point 2, left A-pillar
- B281 Positive connection 5 (15a) in main wiring harness
- B521 Connection (dual tone horn), in main wiring harness

- * see applicable current flow diagram for basic equipment
- *2 For models with alarm horn
- *3 For models with no alarm horn
- *4 According to equipment
- *5 Up to February 2017
- *6 From February 2017

- ws = white
- sw = black
- ro = red
- rt = red
- br = brown
- gn = green
- bl = blue
- gr = grey
- li = purple
- vi = purple
- ge = yellow
- or = orange
- rs = pink

1S60-0220404201



Interior monitoring switch, Interior monitoring sensor, Vehicle inclination sender, Anti-theft alarm sensor, Onboard supply control unit, Fuse 7 on fuse holder C, Fuse 59 on fuse holder C

- E183 Interior monitoring switch
- G273 Interior monitoring sensor
- G384 Vehicle inclination sender
- G578 Anti-theft alarm sensor
- J519 Onboard supply control unit, near driver side A-pillar
- SC7 Fuse 7 on fuse holder C
- SC59 Fuse 59 on fuse holder C
- T3b 3-pin connector, black
- T4ba 4-pin connector, black
- T4bc 4-pin connector, brown
- T73a 73-pin connector, black
- T73b 73-pin connector, colourless
- W1 Front interior light

- 61 Earth point, left C-pillar
- 79 Earth point on left B-pillar
- 370 Earth connection 5, in main wiring harness
- B316 Positive connection 2 (30a) in main wiring harness
- B559 Positive connection 1 (30g), in main wiring harness
- B698 Connection 3 (LIN bus) in main wiring harness
- B758 Connection 1 (Dct), in main wiring harness

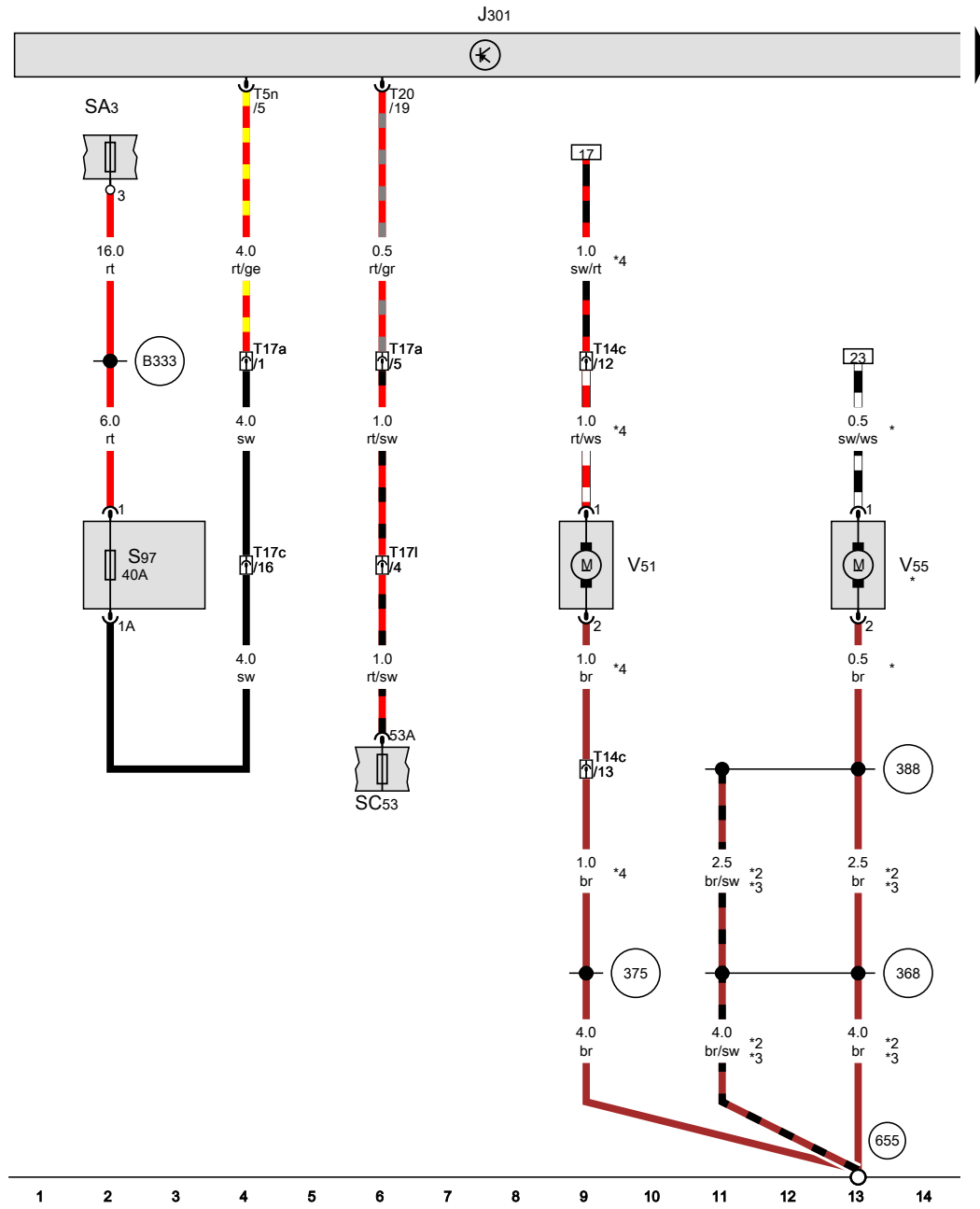
- * see applicable current flow diagram for basic equipment
- *2 For models with alarm horn
- *3 For models with double cab
- *4 For models with single cab

- ws = white
- sw = black
- ro = red
- rt = red
- br = brown
- gn = green
- bl = blue
- gr = grey
- li = purple
- vi = purple
- ge = yellow
- or = orange
- rs = pink

1S60-0220504201

Climatic , (9AP)

From June 2016



Air conditioning system control unit, Fuse 53 on fuse holder C, Fresh air blower fuse 1, Continued coolant circulation pump, Circulation pump

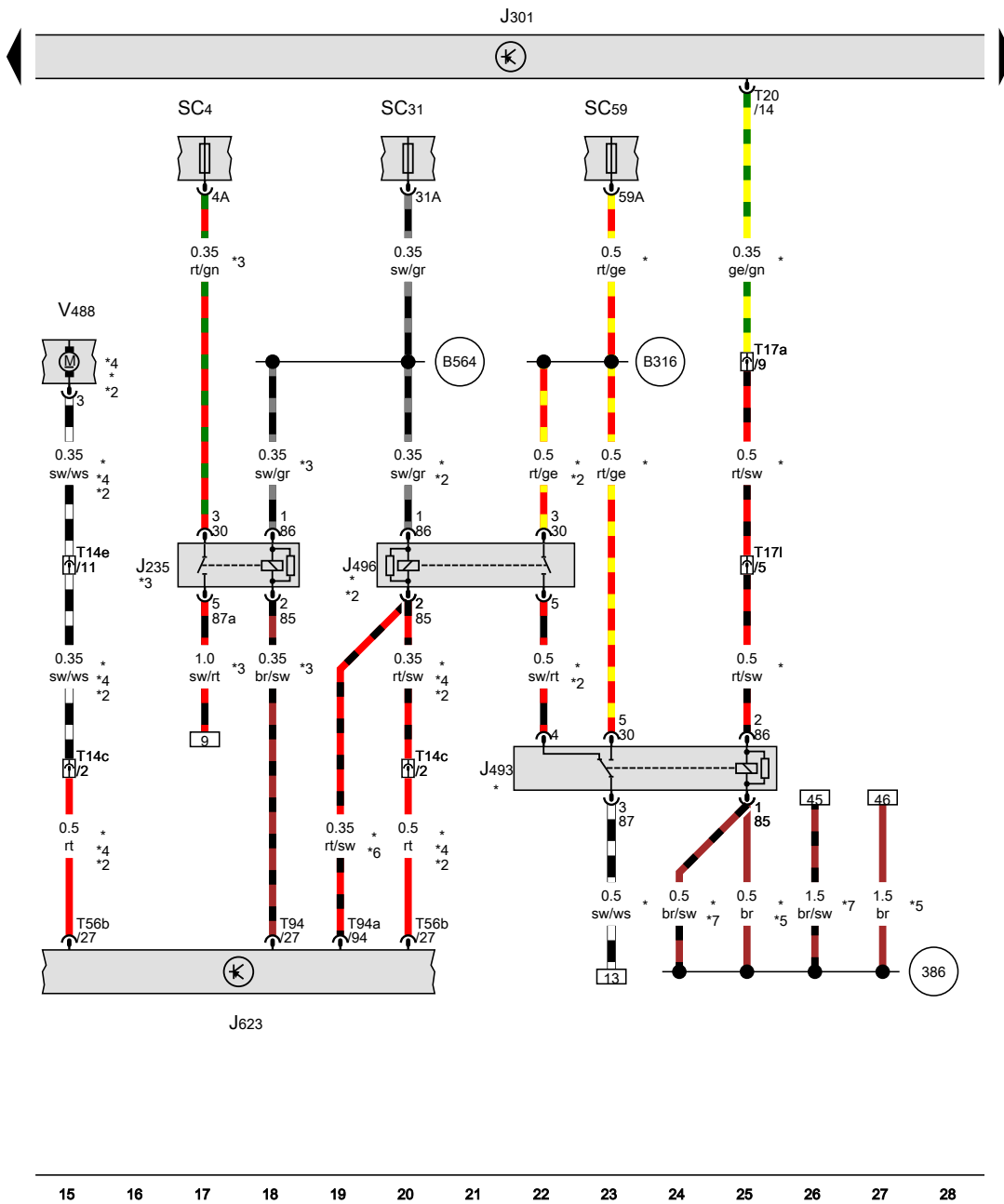
- J301 Air conditioning system control unit
- SA3 Fuse 3 on fuse holder A
- SC53 Fuse 53 on fuse holder C
- S97 Fresh air blower fuse 1
- T5n 5-pin connector, black
- T14c 14-pin connector, grey, near battery
- T17a 17-pin connector, black, behind glove compartment
- T17c 17-pin connector, white, behind dash panel
- T171 17-pin connector, brown, behind dash panel
- T20 20-pin connector, black
- V51 Continued coolant circulation pump, on engine block, near alternator
- V55 Circulation pump, in engine compartment, near left headlight

- 368 Earth connection 3, in main wiring harness
- 375 Earth connection 10, in main wiring harness
- 388 Earth connection 23, in main wiring harness
- 655 Earth point, on left headlight
- B333 Positive connection 19 (30a) in main wiring harness

- * For models with diesel engine
- *2 Wiring colour depends on equipment
- *3 see applicable current flow diagram for earthing concept
- *4 For models with petrol engine

- ws = white
- sw = black
- ro = red
- rt = red
- br = brown
- gn = green
- bl = blue
- gr = grey
- li = purple
- vi = purple
- ge = yellow
- or = orange
- rs = pink

[S60-023021219]



Coolant pump relay, Air conditioning system control unit, Auxiliary coolant heater relay, Additional coolant pump relay, Engine/motor control unit, Fuse 4 on fuse holder C, Fuse 31 on fuse holder C, Fuse 59 on fuse holder C, Auxiliary pump for heating

- J235 Coolant pump relay
- J301 Air conditioning system control unit
- J493 Auxiliary coolant heater relay
- J496 Additional coolant pump relay
- J623 Engine/motor control unit
- SC4 Fuse 4 on fuse holder C
- SC31 Fuse 31 on fuse holder C
- SC59 Fuse 59 on fuse holder C
- T14c 14-pin connector, grey, near battery
- T14e 14-pin connector, grey, near right headlight
- T17a 17-pin connector, black, behind glove compartment
- T171 17-pin connector, brown, behind dash panel
- T20 20-pin connector, black
- T56b 56-pin connector, black
- T94 94-pin connector, black
- T94a 94-pin connector, black
- V488 Auxiliary pump for heating, in engine compartment, near right headlight

- 386 Earth connection 21, in main wiring harness
- B316 Positive connection 2 (30a) in main wiring harness
- B564 Connection 31, in main wiring harness

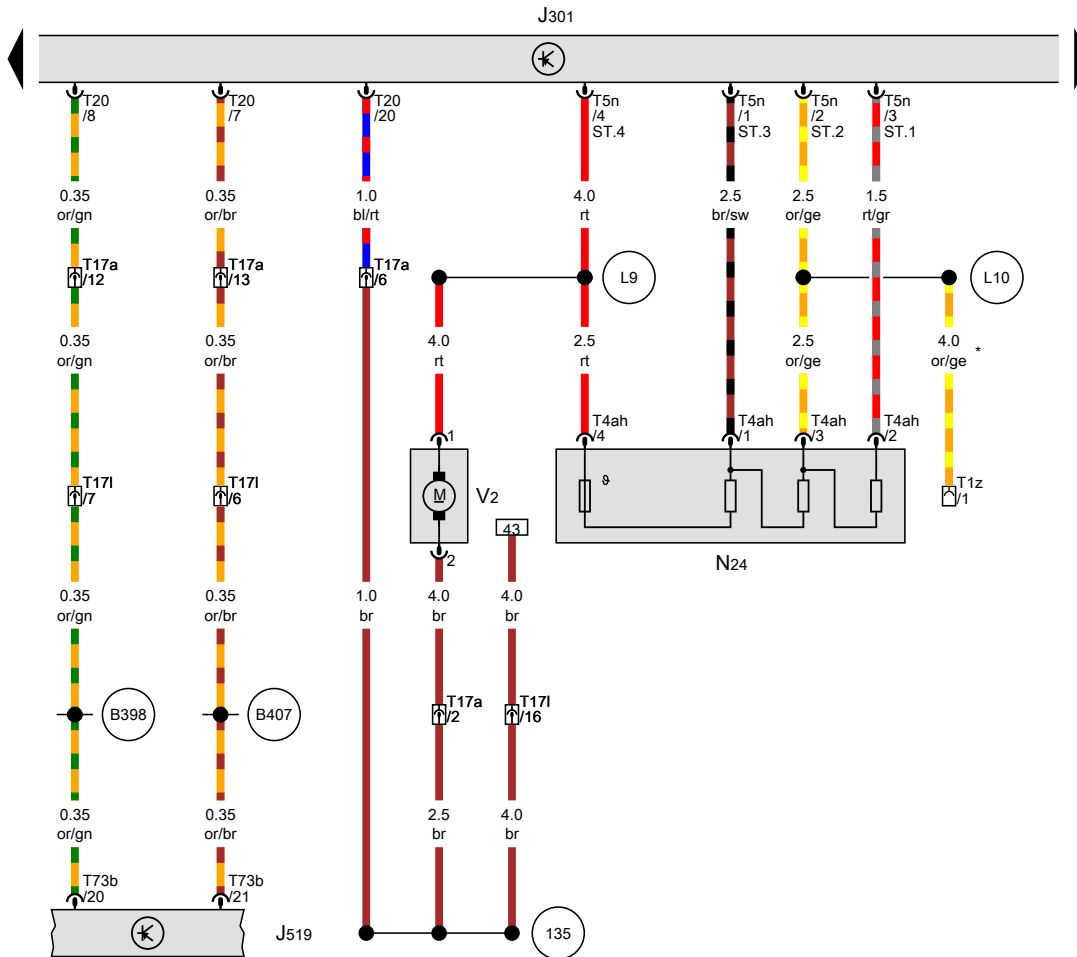
- * For models with diesel engine
- *2 According to equipment
- *3 For models with petrol engine
- *4 For models with 3.0l engine
- *5 Up to February 2017
- *6 For models with 2.0l engine
- *7 From February 2017

- ws = white
- sw = black
- ro = red
- rt = red
- br = brown
- gn = green
- bl = blue
- gr = grey
- li = purple
- vi = purple
- ge = yellow
- or = orange
- rs = pink

Volkswagen Technical Site: <https://vwts.ru>

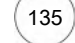
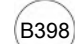
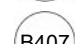

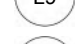
15 16 17 18 19 20 21 22 23 24 25 26 27 28

TS60-0230312191

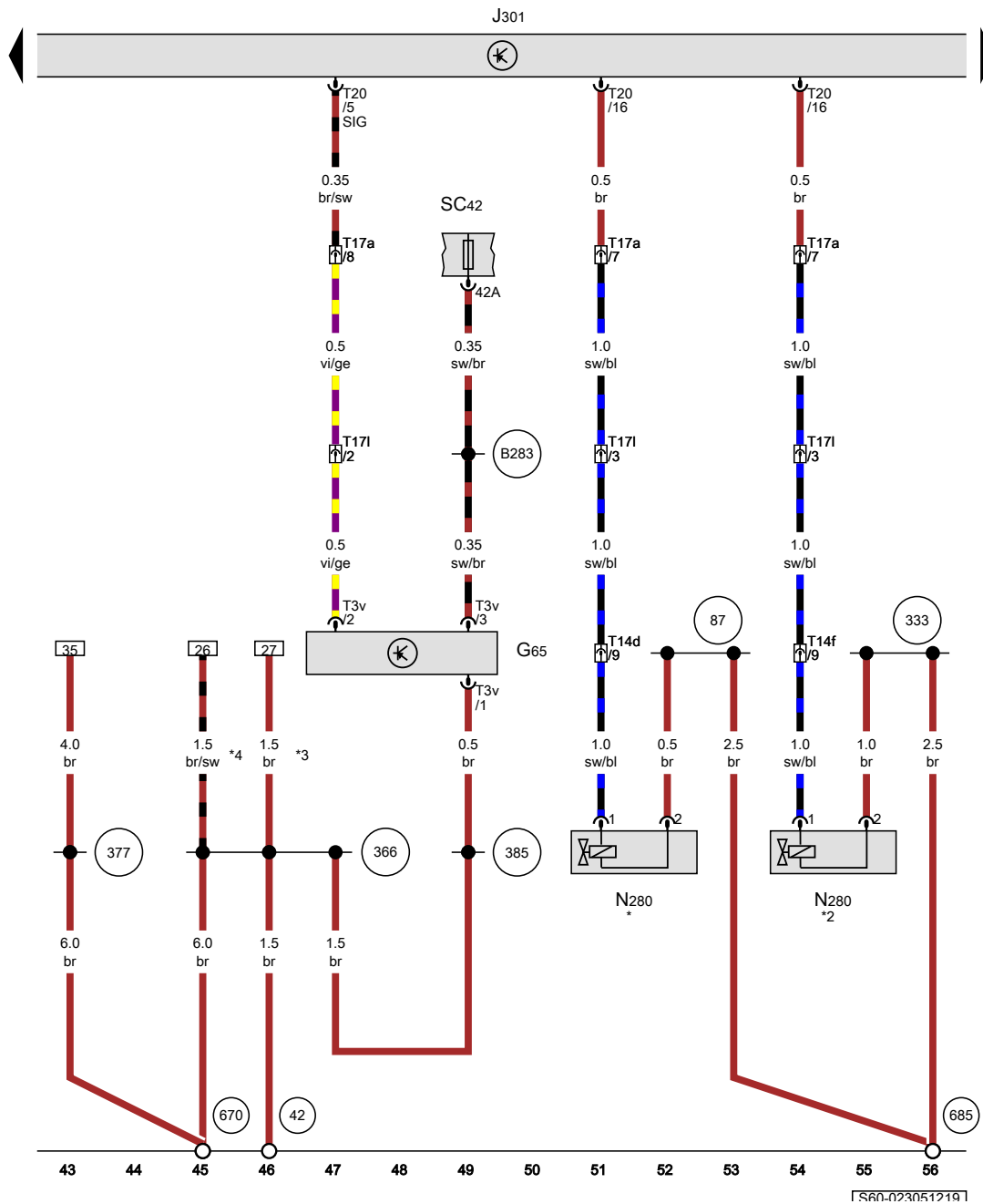


Air conditioning system control unit, Onboard supply control unit, Fresh air blower series resistor with overheating fuse, Fresh air blower

- J301 Air conditioning system control unit
- J519 Onboard supply control unit
- N24 Fresh air blower series resistor with overheating fuse
- T1z 1-pin connector, black, behind glove compartment
- T4ah 4-pin connector, black
- T5n 5-pin connector, black
- T17a 17-pin connector, black, behind glove compartment
- T17l 17-pin connector, brown, behind dash panel
- T20 20-pin connector, black
- T73b 73-pin connector, colourless
- V2 Fresh air blower

-  135 Earth connection 2, in dash panel wiring harness
-  B398 Connection 2 (convenience CAN bus, high), in main wiring harness
-  B407 Connection 2 (convenience CAN bus, low), in main wiring harness
-  L9 Connection 1, in air conditioning system wiring harness
-  L10 Connection 2, in air conditioning system wiring harness
- * Only models with auxiliary coolant heater

- ws = white
- sw = black
- ro = red
- rt = red
- br = brown
- gn = green
- bl = blue
- gr = grey
- li = purple
- vi = purple
- ge = yellow
- or = orange
- rs = pink



High-pressure sender, Air conditioning system control unit, Air conditioner compressor regulating valve, Fuse 42 on fuse holder C

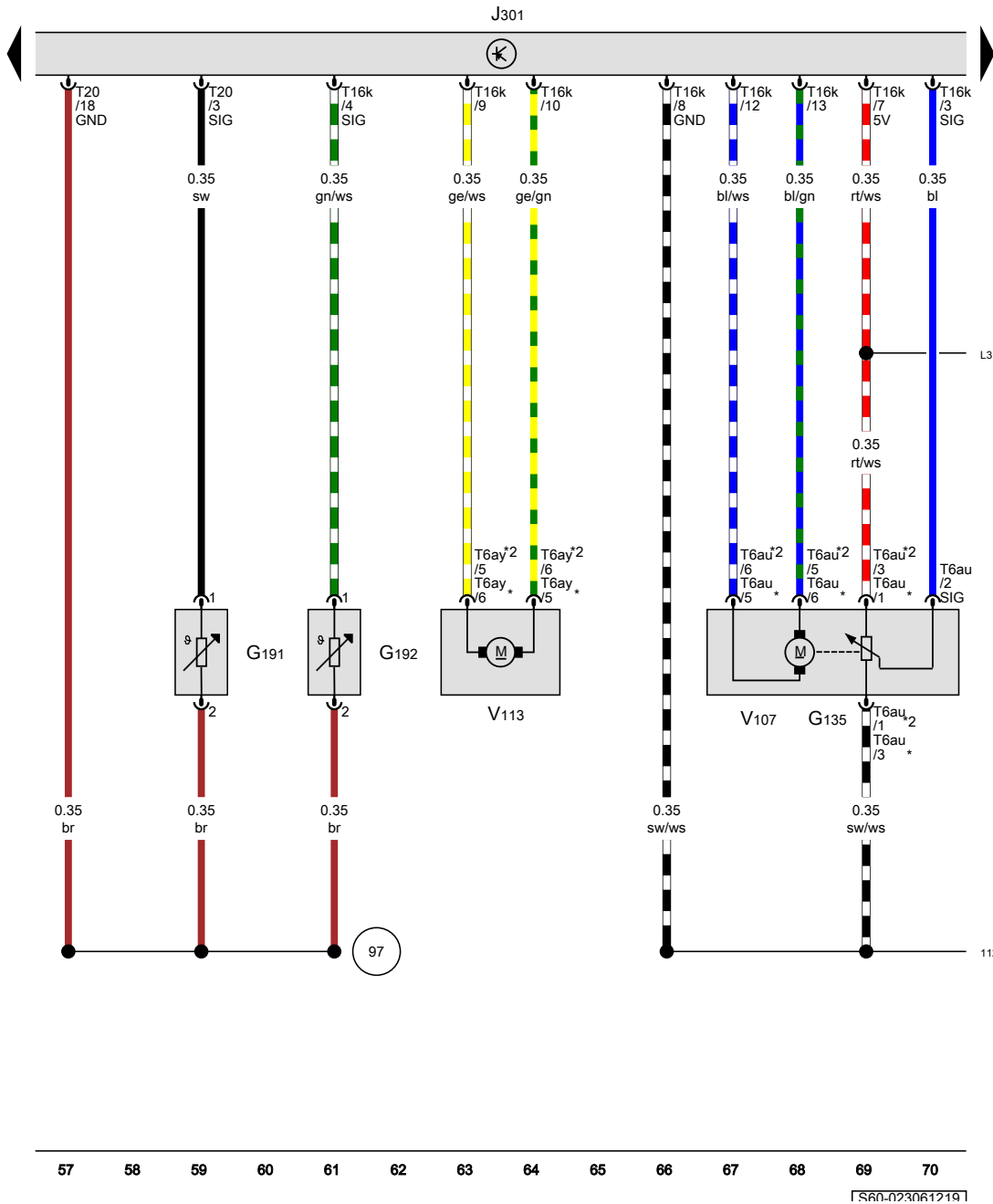
- G65 High-pressure sender
- J301 Air conditioning system control unit
- N280 Air conditioner compressor regulating valve
- SC42 Fuse 42 on fuse holder C
- T3v 3-pin connector, black
- T14d 14-pin connector, black, near battery
- T14f 14-pin connector, black, near right headlight
- T17a 17-pin connector, black, behind glove compartment
- T17i 17-pin connector, brown, behind dash panel
- T20 20-pin connector, black

- 42 Earth point, next to steering column
- 87 Earth connection 2, in rear wiring harness
- 333 Earth connection 5, in rear wiring harness
- 366 Earth connection 1, in main wiring harness
- 377 Earth connection 12, in main wiring harness
- 385 Earth connection 20, in main wiring harness
- 670 Earth point 2, left A-pillar
- 685 Earth point 1, on front of right longitudinal member
- B283 Positive connection 7 (15a) in main wiring harness

- ws = white
- sw = black
- ro = red
- rt = red
- br = brown
- gn = green
- bl = blue
- gr = grey
- li = purple
- vi = purple
- ge = yellow
- or = orange
- rs = pink

- * For models with 2.0l engine
- *2 For models with 3.0l engine
- *3 Up to February 2017
- *4 From February 2017

[S60-023051219]

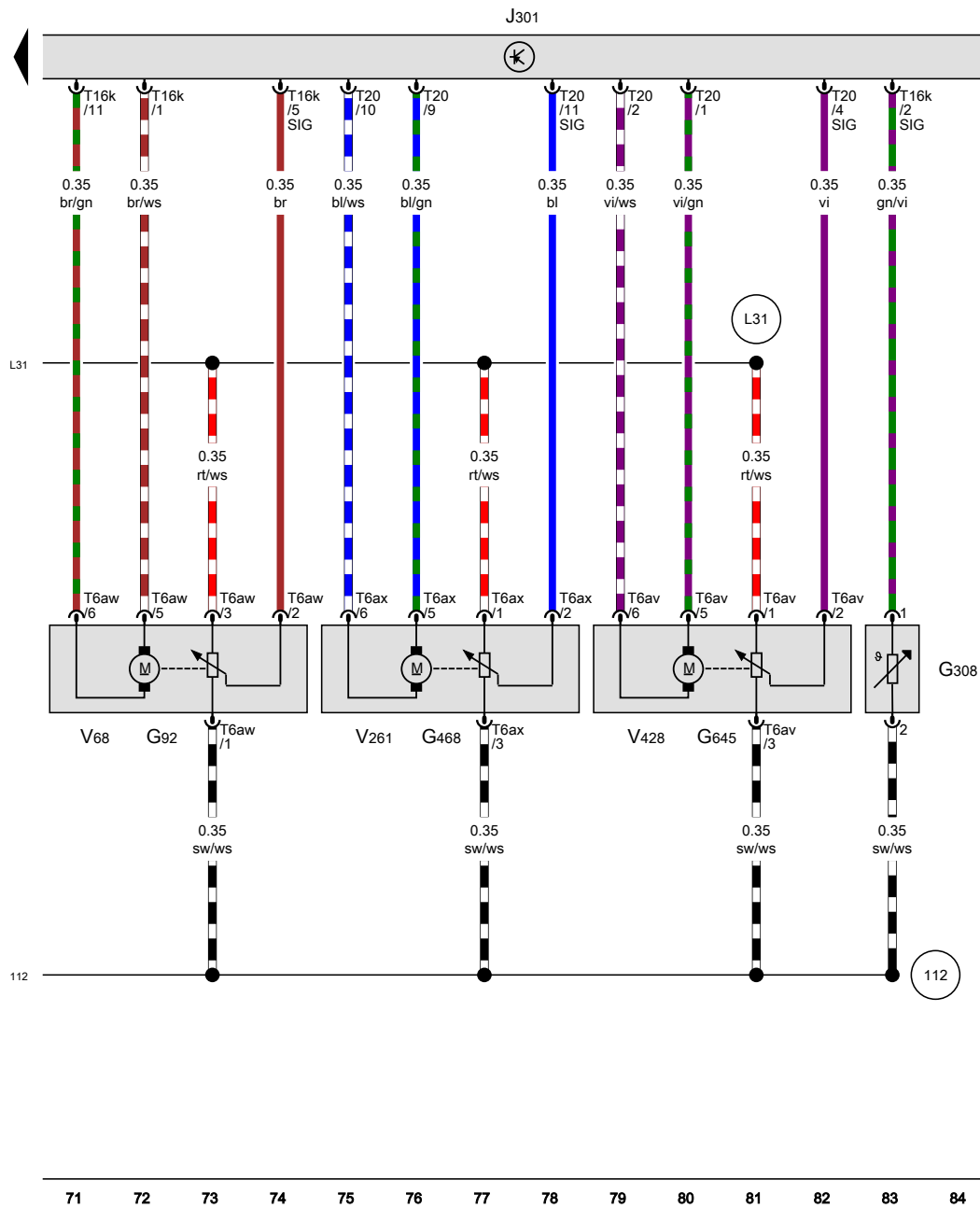


Centre vent temperature sender, Footwell vent temperature sender, Air conditioning system control unit, Defroster flap control motor, Air recirculation flap control motor

- G135 Potentiometer for defroster flap control motor
- G191 Centre vent temperature sender
- G192 Footwell vent temperature sender
- J301 Air conditioning system control unit
- T6au 6-pin connector, blue
- T6ay 6-pin connector, blue
- T16k 16-pin connector, black
- T20 20-pin connector, black
- V107 Defroster flap control motor
- V113 Air recirculation flap control motor

- 97 Earth connection 1, in air conditioning system wiring harness
- 112 Earth connection 2, in air conditioning system wiring harness
- L31 Connection (5V), in air conditioning system wiring harness
- * For right-hand drive models
- *2 For left-hand drive models

[S60-023061219]



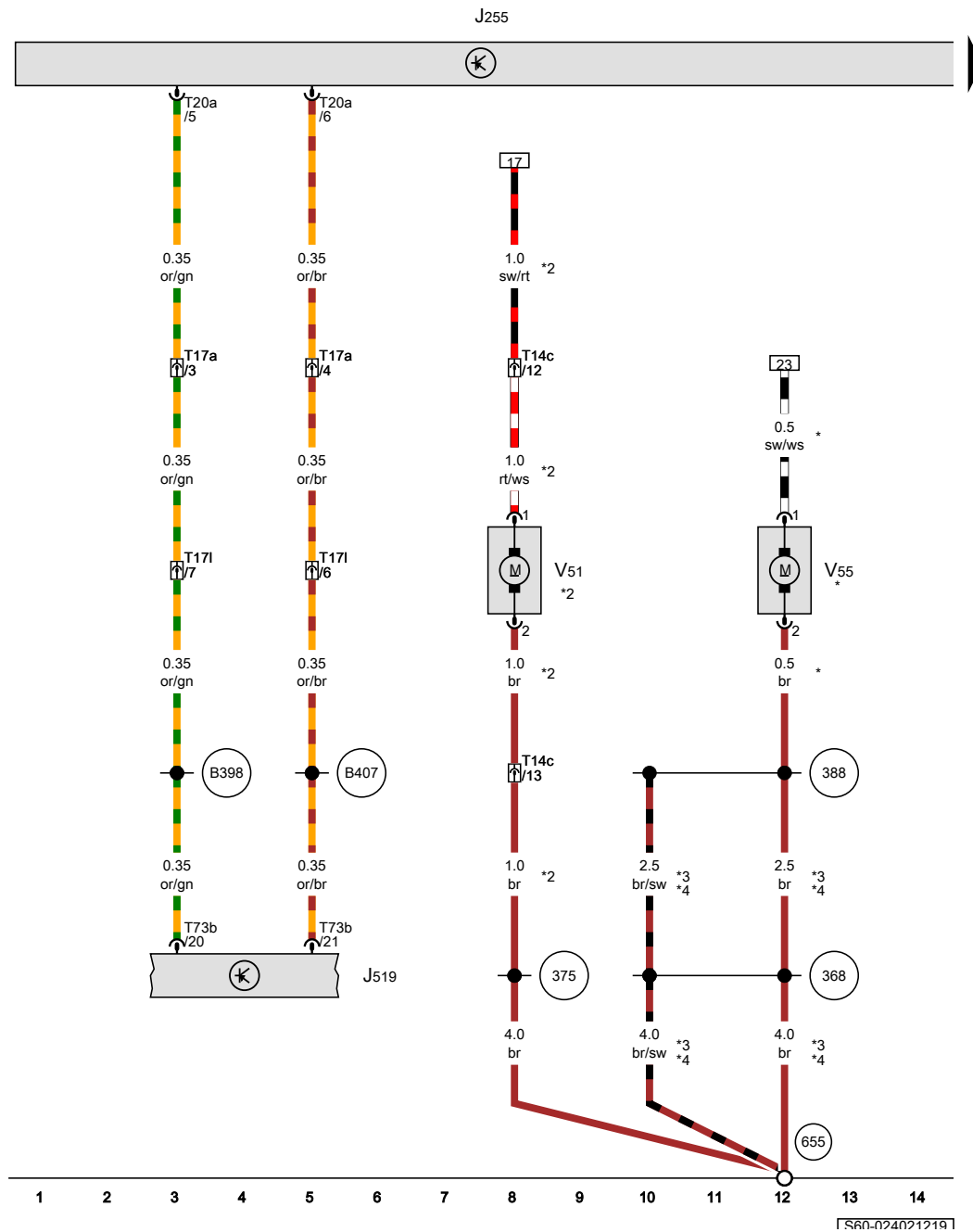
Evaporator temperature sensor, Air conditioning system control unit, Temperature flap control motor, Footwell flap control motor, Air distribution flap control motor

- G92 Potentiometer for temperature flap control motor
- G308 Evaporator temperature sensor
- G468 Potentiometer for footwell vent control motor
- G645 Potentiometer for air distribution flap control motor
- J301 Air conditioning system control unit
- T6av 6-pin connector, blue
- T6aw 6-pin connector, blue
- T6ax 6-pin connector, blue
- T16k 16-pin connector, black
- T20 20-pin connector, black
- V68 Temperature flap control motor
- V261 Footwell flap control motor
- V428 Air distribution flap control motor
- 112 Earth connection 2, in air conditioning system wiring harness
- L31 Connection (5V), in air conditioning system wiring harness

- ws = white
- sw = black
- ro = red
- rt = red
- br = brown
- gn = green
- bl = blue
- gr = grey
- li = purple
- vi = purple
- ge = yellow
- or = orange
- rs = pink

[S60-023071219]

Climatronic , (9AD),(KH4)
From June 2016



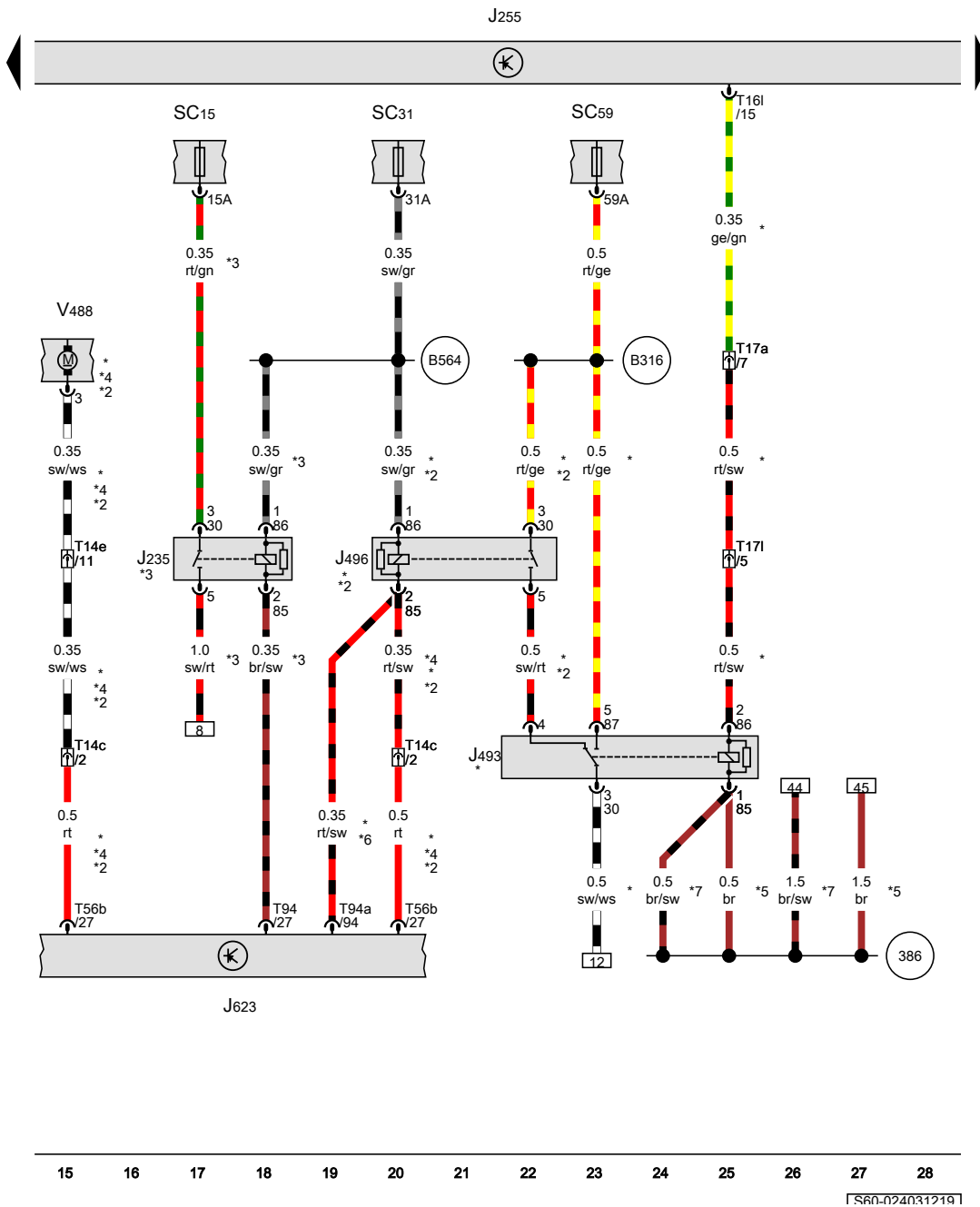
Climatronic control unit, Onboard supply control unit, Continued coolant circulation pump, Circulation pump

- J255 Climatronic control unit, in centre of dash panel
- J519 Onboard supply control unit
- T14c 14-pin connector, grey, near battery
- T17a 17-pin connector, black, behind glove compartment
- T171 17-pin connector, brown, behind dash panel
- T20a 20-pin connector, black
- T73b 73-pin connector, colourless
- V51 Continued coolant circulation pump, on engine block, near alternator
- V55 Circulation pump, on left in engine compartment, near left headlight

- 368 Earth connection 3, in main wiring harness
- 375 Earth connection 10, in main wiring harness
- 388 Earth connection 23, in main wiring harness
- 655 Earth point, on left headlight
- B398 Connection 2 (convenience CAN bus, high), in main wiring harness
- B407 Connection 2 (convenience CAN bus, low), in main wiring harness

- * For models with diesel engine
- *2 For models with petrol engine
- *3 Wiring colour depends on equipment
- *4 see applicable current flow diagram for earthing concept

- ws = white
- sw = black
- ro = red
- rt = red
- br = brown
- gn = green
- bl = blue
- gr = grey
- li = purple
- vi = purple
- ge = yellow
- or = orange
- rs = pink



Coolant pump relay, Climatronic control unit, Auxiliary coolant heater relay, Additional coolant pump relay, Fuse 15 on fuse holder C, Fuse 31 on fuse holder C, Fuse 59 on fuse holder C, Auxiliary pump for heating

- J235 Coolant pump relay
- J255 Climatronic control unit, in centre of dash panel
- J493 Auxiliary coolant heater relay
- J496 Additional coolant pump relay
- J623 Engine/motor control unit
- SC15 Fuse 15 on fuse holder C
- SC31 Fuse 31 on fuse holder C
- SC59 Fuse 59 on fuse holder C
- T14c 14-pin connector, grey, near battery
- T14e 14-pin connector, grey, near right headlight
- T16l 16-pin connector, black
- T17a 17-pin connector, black, behind glove compartment
- T17l 17-pin connector, brown, behind dash panel
- T56b 56-pin connector, black
- T94 94-pin connector, black
- T94a 94-pin connector, black
- V488 Auxiliary pump for heating, in engine compartment, near right headlight

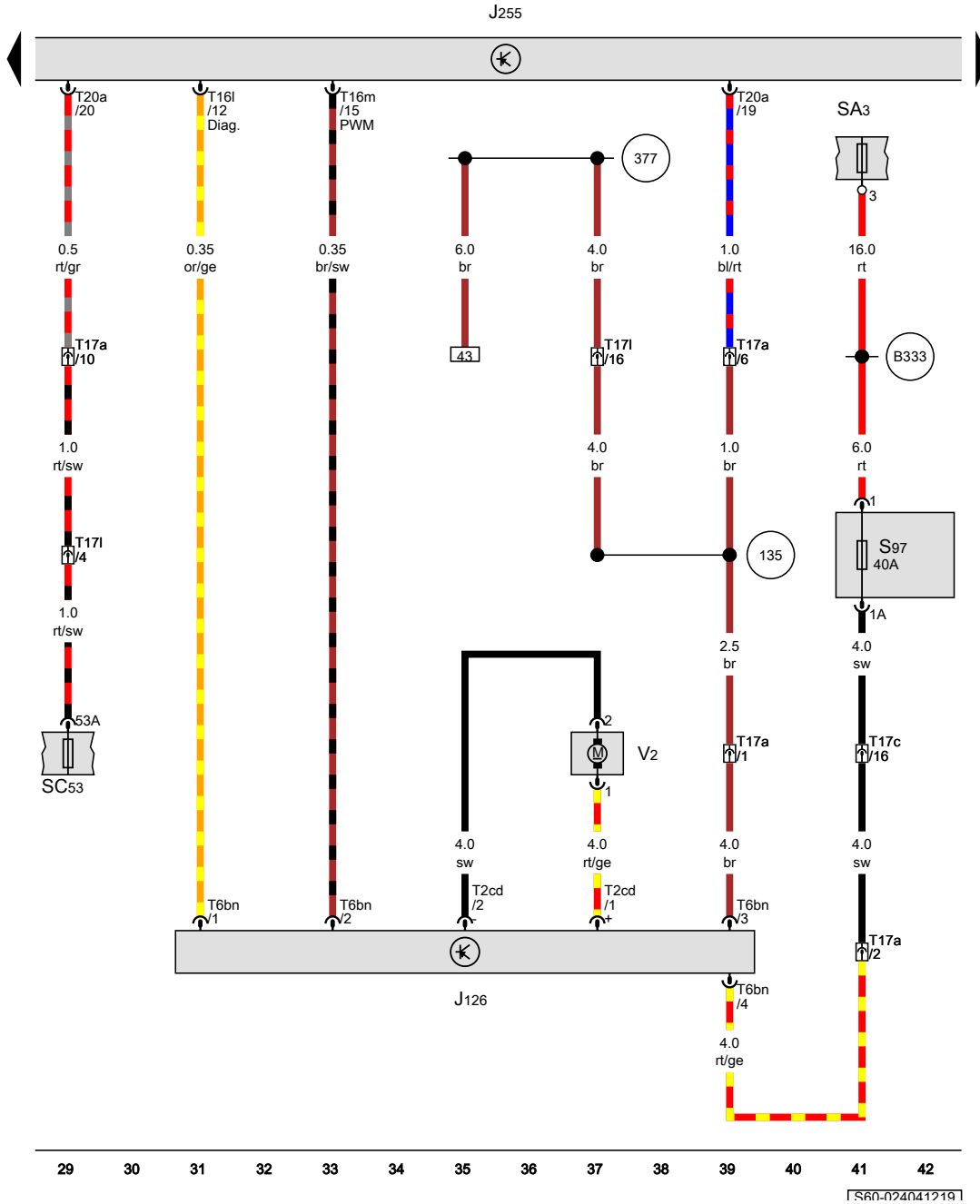
- 386 Earth connection 21, in main wiring harness
- B316 Positive connection 2 (30a) in main wiring harness
- B564 Connection 31, in main wiring harness

- * For models with diesel engine
- *2 According to equipment
- *3 For models with petrol engine
- *4 For models with 3.0l engine
- *5 Up to February 2017
- *6 For models with 2.0l engine
- *7 From February 2017

- ws = white
- sw = black
- ro = red
- rt = red
- br = brown
- gn = green
- bl = blue
- gr = grey
- li = purple
- vi = purple
- ge = yellow
- or = orange
- rs = pink

15 16 17 18 19 20 21 22 23 24 25 26 27 28

1560-0240312191



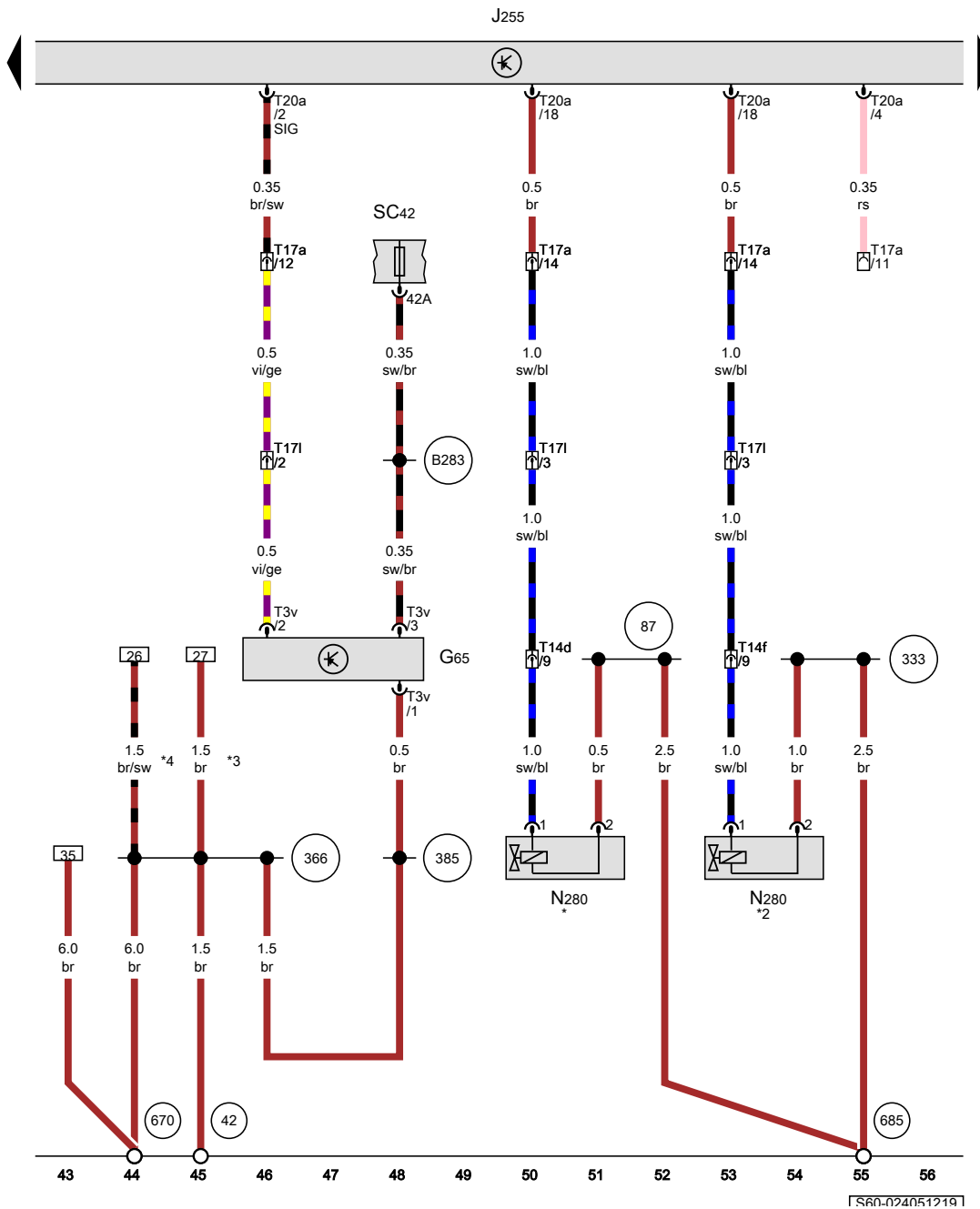
Fresh air blower control unit, Climatronic control unit, Fuse 53 on fuse holder C, Fresh air blower fuse 1, Fresh air blower

- J126 Fresh air blower control unit
- J255 Climatronic control unit, in centre of dash panel
- SA3 Fuse 3 on fuse holder A
- SC53 Fuse 53 on fuse holder C
- S97 Fresh air blower fuse 1
- T2cd 2-pin connector, black
- T6bn 6-pin connector, black
- T16l 16-pin connector, black
- T16m 16-pin connector, brown
- T17a 17-pin connector, black, behind glove compartment
- T17c 17-pin connector, white, behind dash panel
- T17l 17-pin connector, brown, behind dash panel
- T20a 20-pin connector, black
- V2 Fresh air blower

- (135) Earth connection 2, in dash panel wiring harness
- (377) Earth connection 12, in main wiring harness
- (B333) Positive connection 19 (30a) in main wiring harness

- ws = white
- sw = black
- ro = red
- rt = red
- br = brown
- gn = green
- bl = blue
- gr = grey
- li = purple
- vi = purple
- ge = yellow
- or = orange
- rs = pink

[S60-024041719]



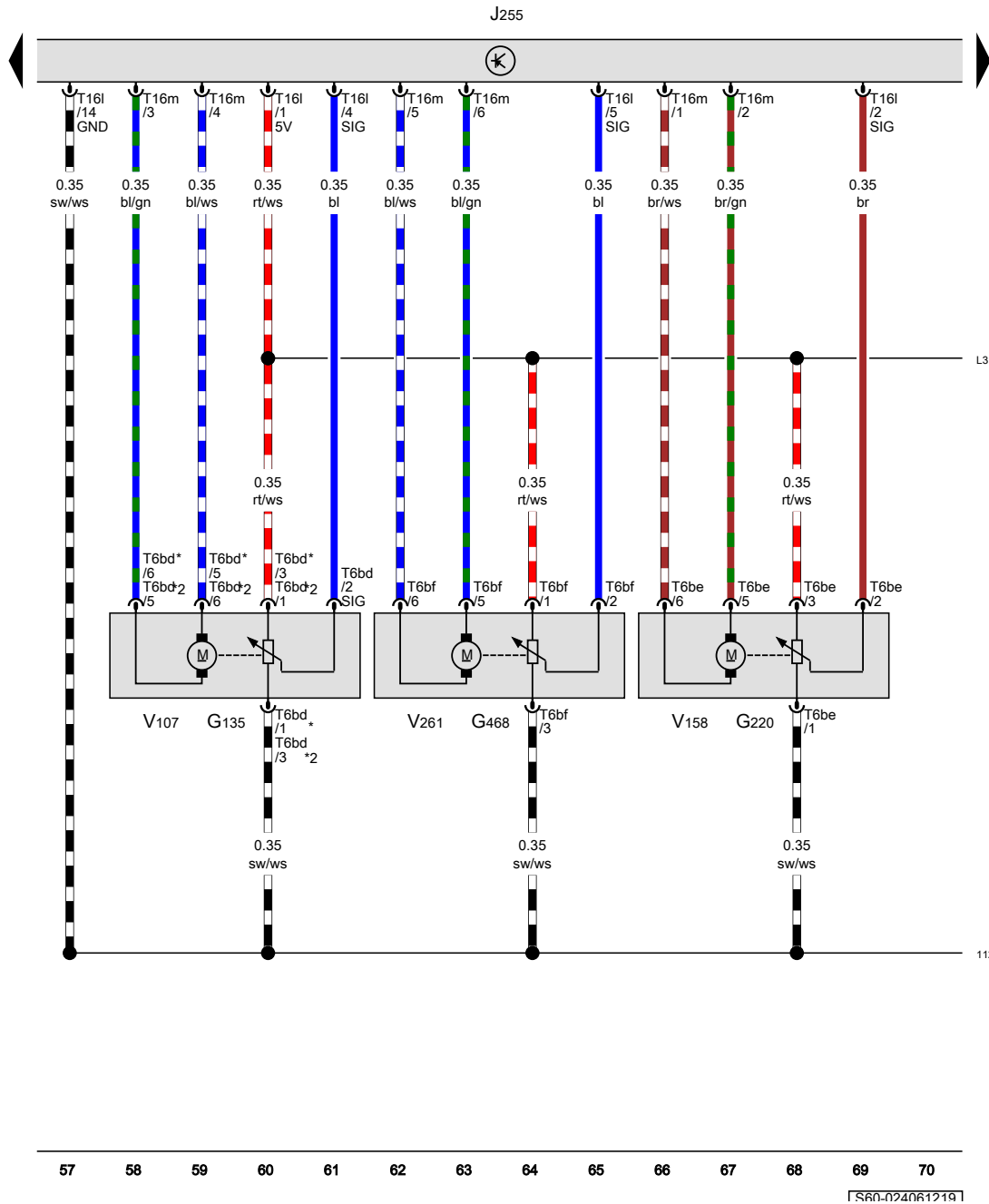
High-pressure sender, Climatronic control unit, Air conditioner compressor regulating valve, Fuse 42 on fuse holder C

- G65 High-pressure sender
- J255 Climatronic control unit, in centre of dash panel
- N280 Air conditioner compressor regulating valve
- SC42 Fuse 42 on fuse holder C
- T3v 3-pin connector, black
- T14d 14-pin connector, black, near battery
- T14f 14-pin connector, black, near right headlight
- T17a 17-pin connector, black, behind glove compartment
- T17i 17-pin connector, brown, behind dash panel
- T20a 20-pin connector, black

- 42 Earth point, next to steering column
- 87 Earth connection 2, in rear wiring harness
- 333 Earth connection 5, in rear wiring harness
- 366 Earth connection 1, in main wiring harness
- 385 Earth connection 20, in main wiring harness
- 670 Earth point 2, left A-pillar
- 685 Earth point 1, on front of right longitudinal member
- B283 Positive connection 7 (15a) in main wiring harness
- * For models with 2.0l engine
- *2 For models with 3.0l engine
- *3 Up to February 2017
- *4 From February 2017

- ws = white
- sw = black
- ro = red
- rt = red
- br = brown
- gn = green
- bl = blue
- gr = grey
- li = purple
- vi = purple
- ge = yellow
- or = orange
- rs = pink

Climatronic control unit, Defroster flap control motor, Left temperature flap control motor, Footwell flap control motor



- G135 Potentiometer for defroster flap control motor
- G220 Potentiometer for left temperature flap control motor
- G468 Potentiometer for footwell vent control motor
- J255 Climatronic control unit, in centre of dash panel
- T6bd 6-pin connector, blue
- T6be 6-pin connector, blue
- T6bf 6-pin connector, blue
- T16l 16-pin connector, black
- T16m 16-pin connector, brown
- V107 Defroster flap control motor
- V158 Left temperature flap control motor
- V261 Footwell flap control motor

112 Earth connection 2, in air conditioning system wiring harness

L31 Connection (5V), in air conditioning system wiring harness

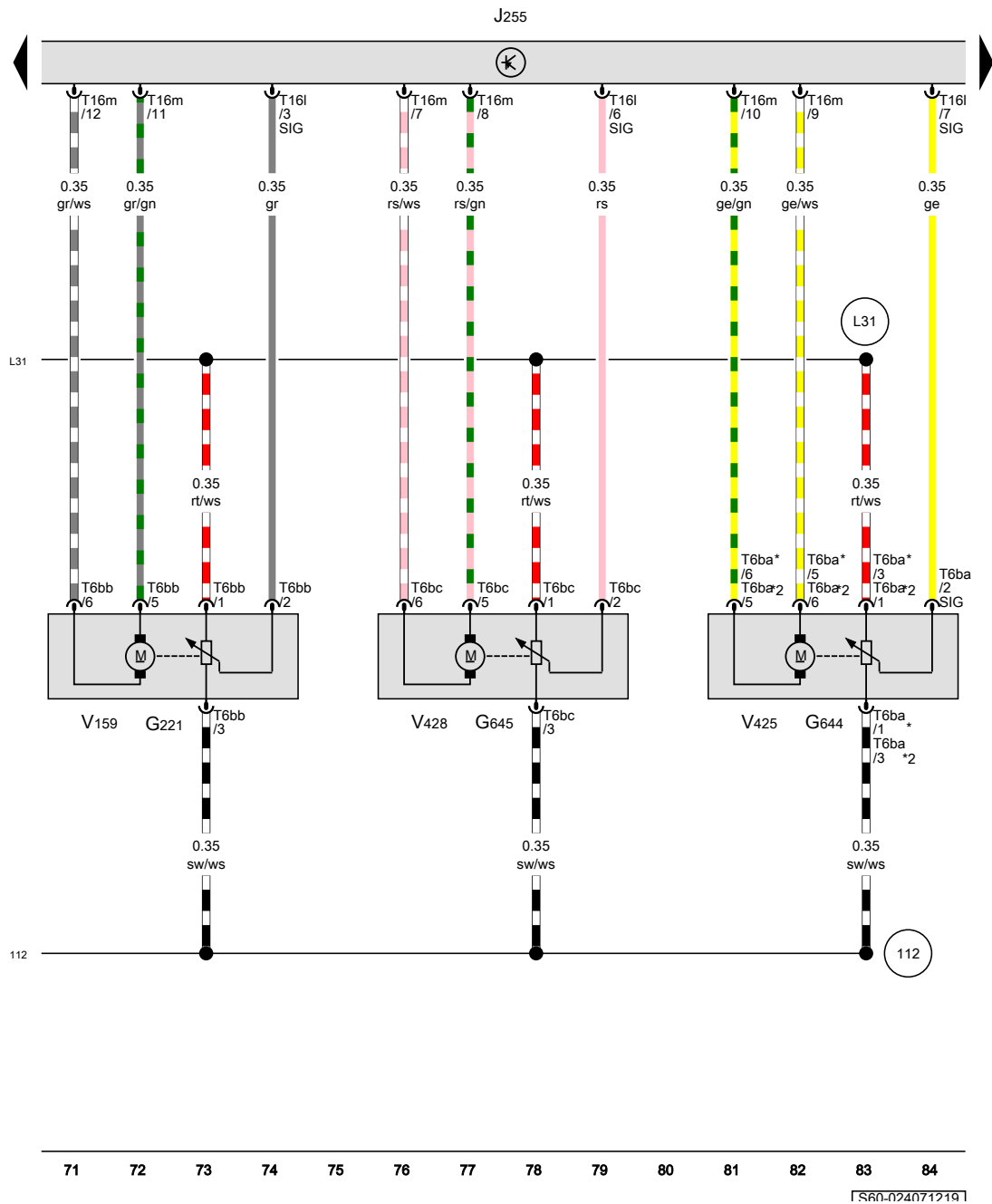
* For left-hand drive models

*2 For right-hand drive models

- ws = white
- sw = black
- ro = red
- rt = red
- br = brown
- gn = green
- bl = blue
- gr = grey
- li = purple
- vi = purple
- ge = yellow
- or = orange
- rs = pink

57 58 59 60 61 62 63 64 65 66 67 68 69 70

[S60-024061219]

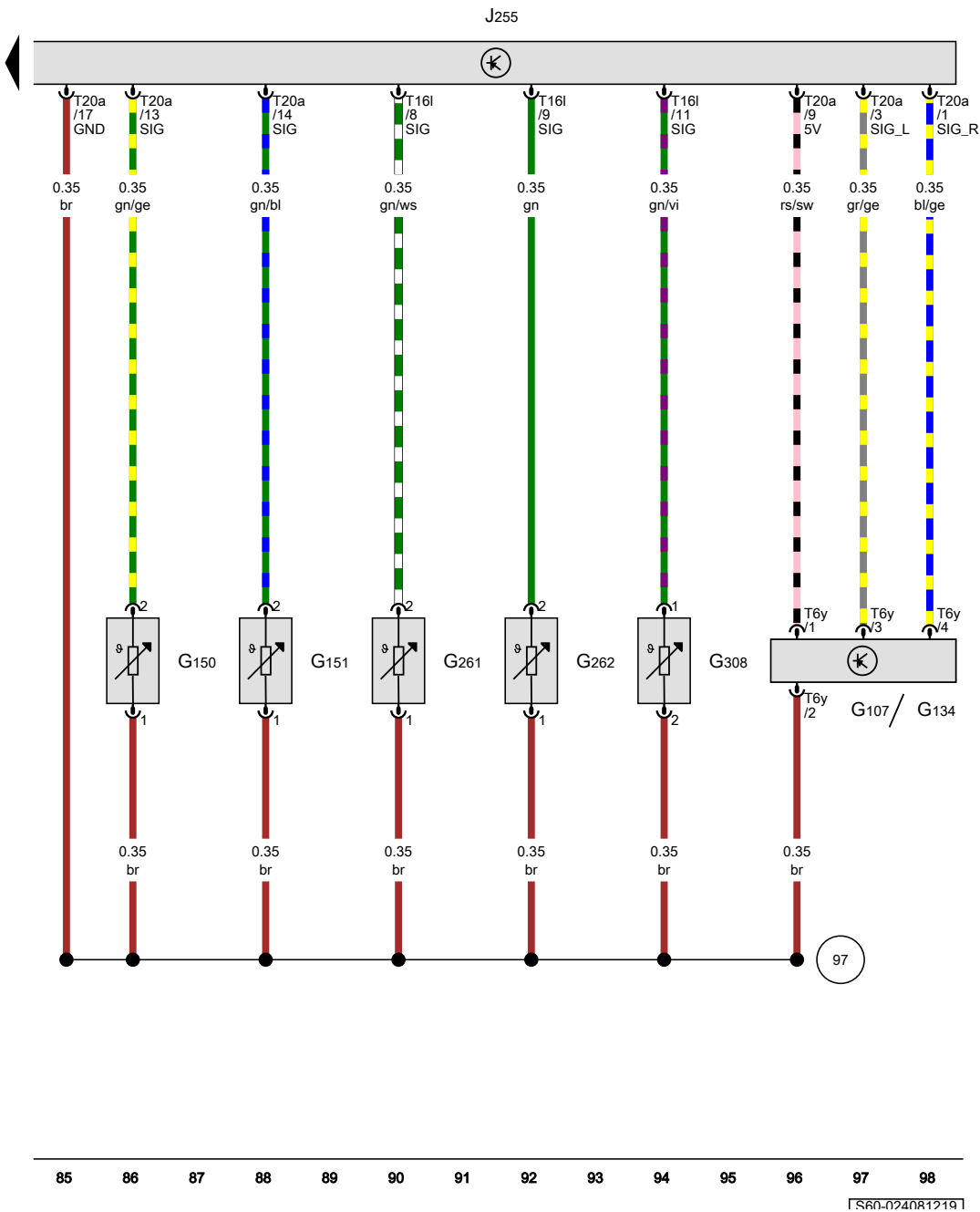


Climatronic control unit, Right temperature flap control motor, Fresh air/air recirculation, air flow flap control motor, Air distribution flap control motor

- G221 Potentiometer for right temperature flap control motor
- G644 Potentiometer for fresh air/air recirculation, air flow flap control motor
- G645 Potentiometer for air distribution flap control motor
- J255 Climatronic control unit, in centre of dash panel
- T6ba 6-pin connector, blue
- T6bb 6-pin connector, blue
- T6bc 6-pin connector, blue
- T16l 16-pin connector, black
- T16m 16-pin connector, brown
- V159 Right temperature flap control motor
- V425 Fresh air/air recirculation, air flow flap control motor
- V428 Air distribution flap control motor
- 112 Earth connection 2, in air conditioning system wiring harness
- L31 Connection (5V), in air conditioning system wiring harness
- * For left-hand drive models
- *2 For right-hand drive models

- ws = white
- sw = black
- ro = red
- rt = red
- br = brown
- gn = green
- bl = blue
- gr = grey
- li = purple
- vi = purple
- ge = yellow
- or = orange
- rs = pink

1S60-0240712191



Sunlight penetration photosensor, Sunlight penetration photosensor 2, Left vent temperature sender, Right vent temperature sender, Left footwell vent temperature sender, Right footwell vent temperature sender, Evaporator temperature sensor, Climatronic control unit

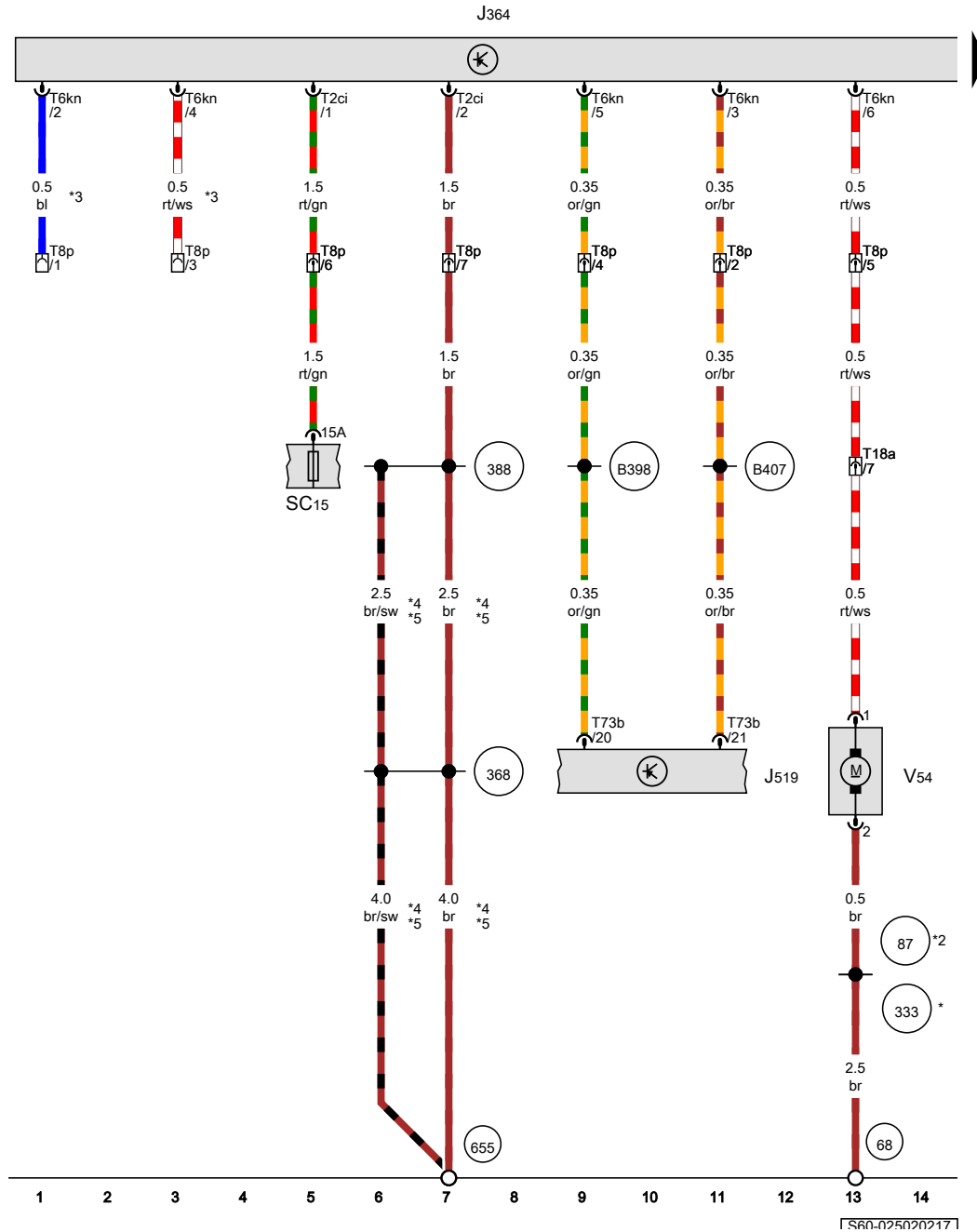
- G107 Sunlight penetration photosensor
- G134 Sunlight penetration photosensor 2
- G150 Left vent temperature sender
- G151 Right vent temperature sender
- G261 Left footwell vent temperature sender
- G262 Right footwell vent temperature sender
- G308 Evaporator temperature sensor
- J255 Climatronic control unit, in centre of dash panel
- T6y 6-pin connector, black
- T16l 16-pin connector, black
- T20a 20-pin connector, black
- 97 Earth connection 1, in air conditioning system wiring harness

- ws = white
- sw = black
- ro = red
- rt = red
- br = brown
- gn = green
- bl = blue
- gr = grey
- li = purple
- vi = purple
- ge = yellow
- or = orange
- rs = pink

[S60-0240R1219]

Supplementary heater , (9M5)

From June 2016



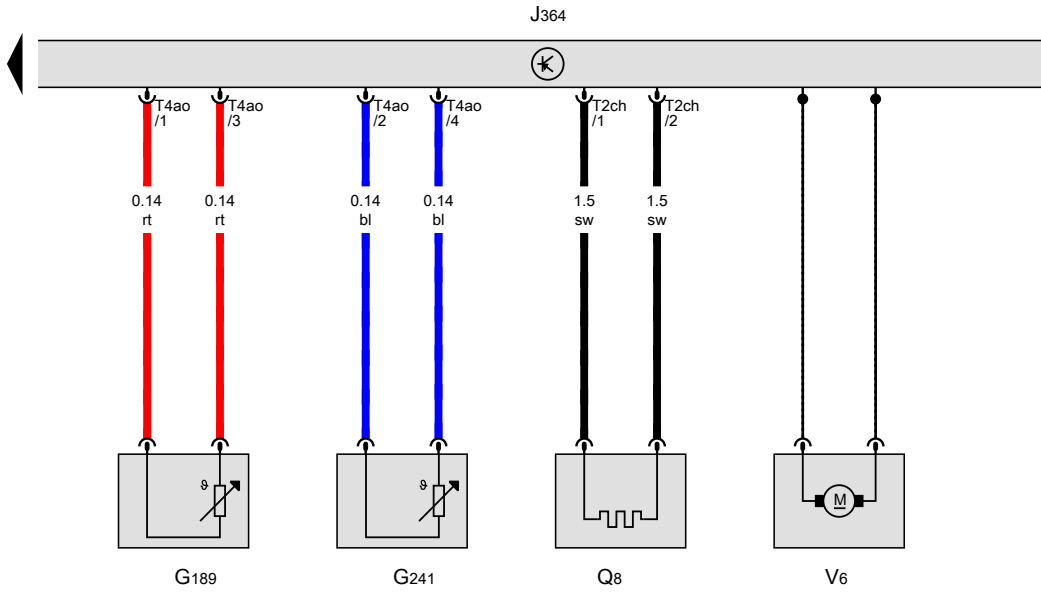
Auxiliary heater control unit, Onboard supply control unit, Fuse 15 on fuse holder C, Metering pump

- J364 Auxiliary heater control unit
- J519 Onboard supply control unit
- SC15 Fuse 15 on fuse holder C
- T2ci 2-pin connector, black
- T6kn 6-pin connector, black
- T8p 8-pin connector, black, near battery
- T18a 18-pin connector, near engine control unit, grey
- T73b 73-pin connector, colourless
- V54 Metering pump

- 68 Earth point, on left of rear cross member
- 87 Earth connection 2, in rear wiring harness
- 333 Earth connection 5, in rear wiring harness
- 368 Earth connection 3, in main wiring harness
- 388 Earth connection 23, in main wiring harness
- 655 Earth point, on left headlight
- B398 Connection 2 (convenience CAN bus, high), in main wiring harness
- B407 Connection 2 (convenience CAN bus, low), in main wiring harness
- * Only models with 3.0l engine
- *2 Only models with 2.0l engine
- *3 Wire with no function
- *4 Wiring colour depends on equipment
- *5 see applicable current flow diagram for earthing concept

- ws = white
- sw = black
- ro = red
- rt = red
- br = brown
- gn = green
- bl = blue
- gr = grey
- li = purple
- vi = purple
- ge = yellow
- or = orange
- rs = pink

1S60-0250202171



Overheating sensor, Coolant temperature sender for heater, Auxiliary heater control unit, Glow plug with flame monitor, Combustion air blower

- G189 Overheating sensor
- G241 Coolant temperature sender for heater
- J364 Auxiliary heater control unit
- Q8 Glow plug with flame monitor
- T2ch 2-pin connector, black
- T4ao 4-pin connector, black
- V6 Combustion air blower

- ws = white
- sw = black
- ro = red
- rt = red
- br = brown
- gn = green
- bl = blue
- gr = grey
- li = purple
- vi = purple
- ge = yellow
- or = orange
- rs = pink

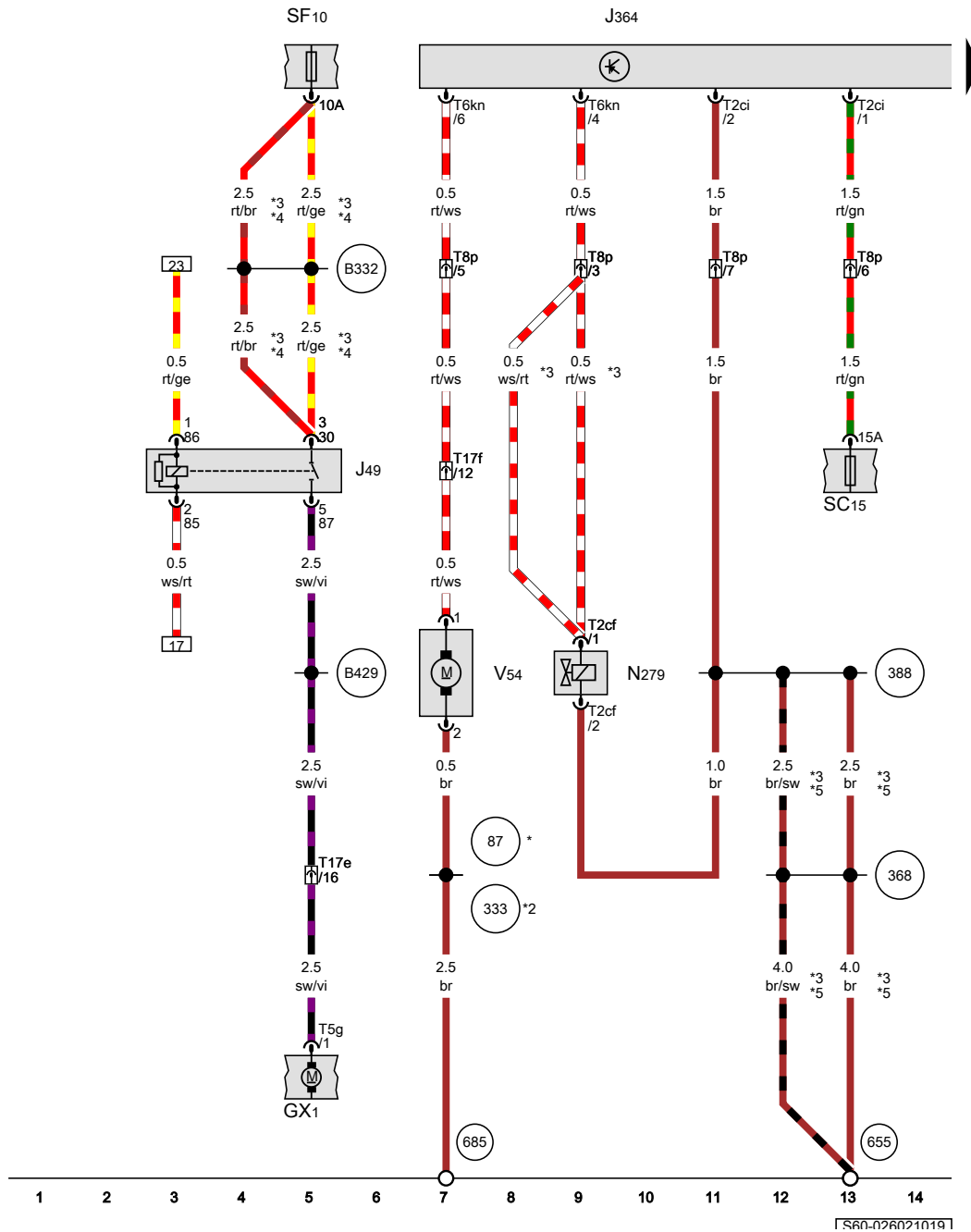
15 16 17 18 19 20 21 22 23 24 25 26 27 28

[S60-025030217]

Auxiliary coolant heater , (7VE),(7VL)

From June 2016

Fuel delivery unit, Electric fuel pump 2 relay, Auxiliary heater control unit, Heater coolant shut-off valve, Fuse 10 in fuse holder F, Fuse 15 on fuse holder C, Metering pump

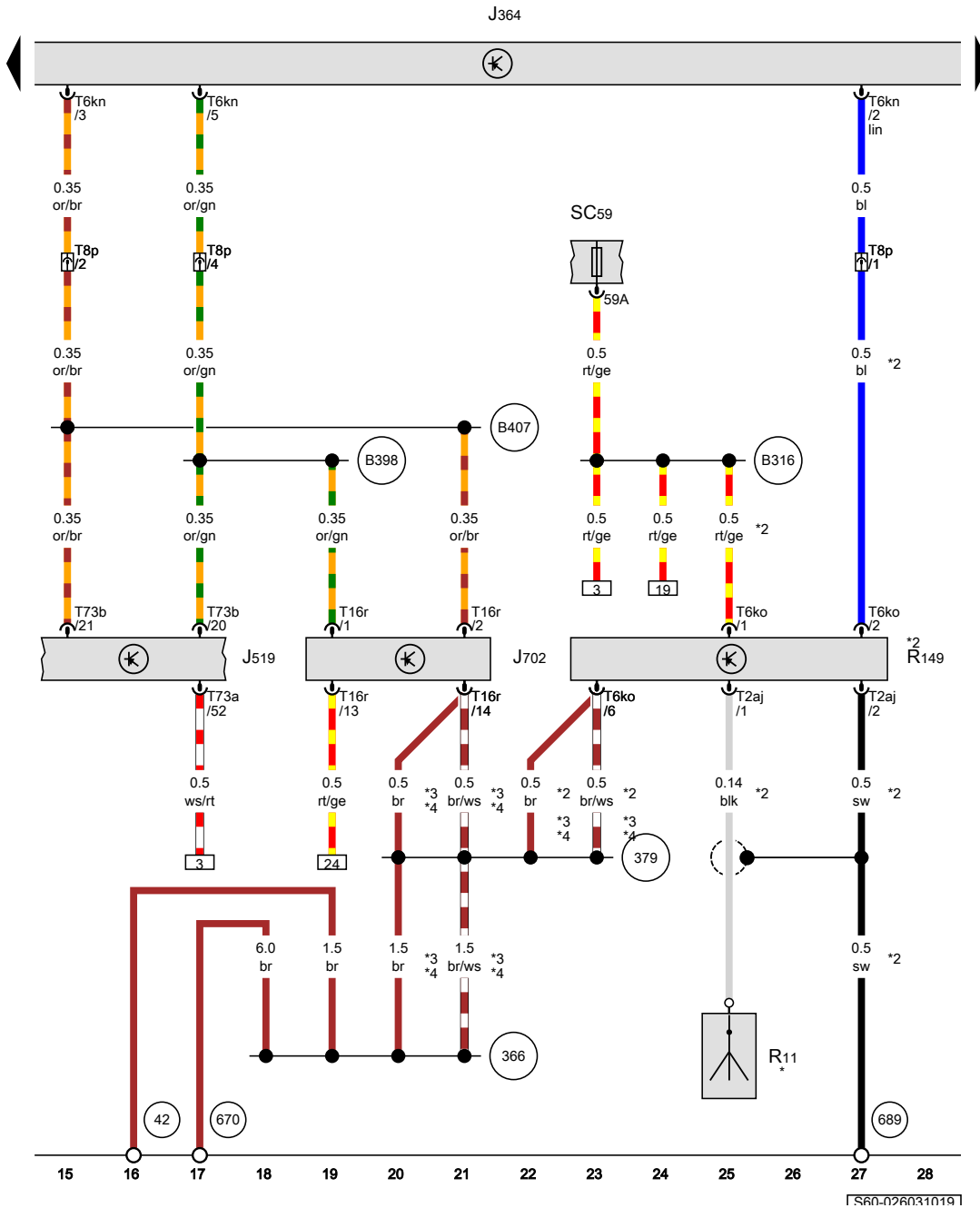


- GX1 Fuel delivery unit
- J49 Electric fuel pump 2 relay
- J364 Auxiliary heater control unit
- N279 Heater coolant shut-off valve, front left in engine compartment
- SF10 Fuse 10 in fuse holder F
- SC15 Fuse 15 on fuse holder C
- T2cf 2-pin connector, black
- T2ci 2-pin connector, black
- T5g 5-pin connector, black
- T6kn 6-pin connector, black
- T8p 8-pin connector, black, near battery
- T17e 17-pin connector, red, near handbrake lever
- T17f 17-pin connector, blue, near handbrake lever
- V54 Metering pump

- (87) Earth connection 2, in rear wiring harness
- (333) Earth connection 5, in rear wiring harness
- (368) Earth connection 3, in main wiring harness
- (388) Earth connection 23, in main wiring harness
- (655) Earth point, on left headlight
- (685) Earth point 1, on front of right longitudinal member
- (B332) Positive connection 18 (30a) in main wiring harness
- (B429) Connection (EFPR), in main wiring harness

- ws = white
- sw = black
- ro = red
- rt = red
- br = brown
- gn = green
- bl = blue
- gr = grey
- li = purple
- vi = purple
- ge = yellow
- or = orange
- rs = pink

- * For models with 2.0l engine
- *2 For models with 3.0l engine
- *3 Wiring colour depends on equipment
- *4 see applicable current flow diagram for fuse assignment
- *5 see applicable current flow diagram for earthing concept



[S60-026031019]

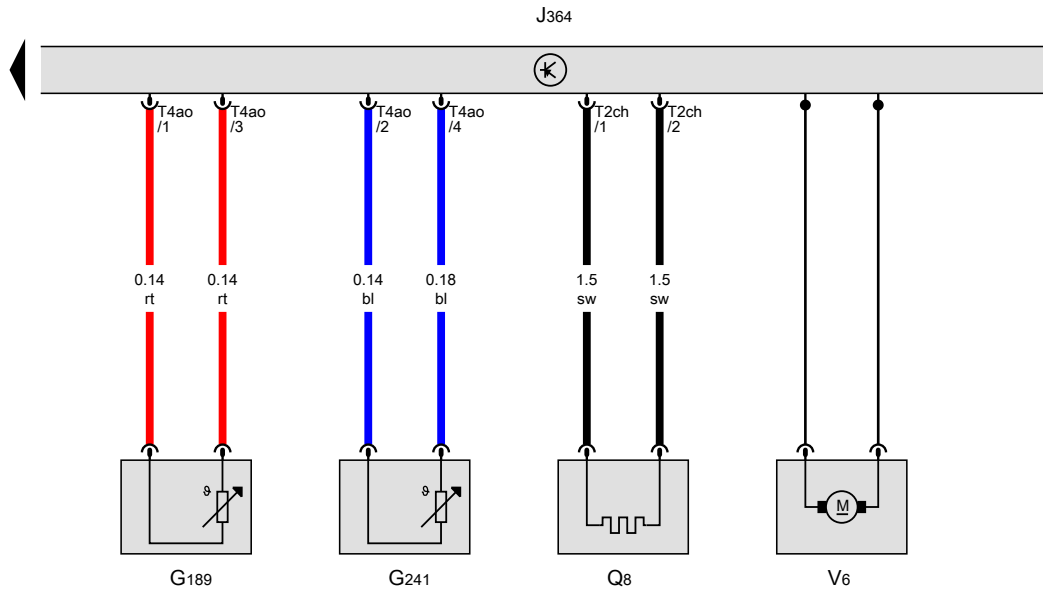
Auxiliary heater control unit, Onboard supply control unit, Roof display unit, Aerial, Remote control receiver for auxiliary coolant heater, Fuse 59 on fuse holder C

- J364 Auxiliary heater control unit
- J519 Onboard supply control unit
- J702 Roof display unit, near interior mirror
- R11 Aerial, behind right A-pillar trim
- R149 Remote control receiver for auxiliary coolant heater
- Fuse 59 on fuse holder C
- T2aj 2-pin connector, light brown
- T6kn 6-pin connector, black
- T6ko 6-pin connector, blue
- T8p 8-pin connector, black, near battery
- T16r 16-pin connector, black
- T73a 73-pin connector, black
- T73b 73-pin connector, colourless

- 42 Earth point, next to steering column
- 366 Earth connection 1, in main wiring harness
- 379 Earth connection 14, in main wiring harness
- 670 Earth point 2, left A-pillar
- 689 Earth point, at front, central in roof
- B316 Positive connection 2 (30a) in main wiring harness
- B398 Connection 2 (convenience CAN bus, high), in main wiring harness
- B407 Connection 2 (convenience CAN bus, low), in main wiring harness

- * Wiring open end
- *2 For models with remote control receiver for auxiliary coolant heater
- *3 Wiring colour depends on equipment
- *4 see applicable current flow diagram for earthing concept

- ws = white
- sw = black
- ro = red
- rt = red
- br = brown
- gn = green
- bl = blue
- gr = grey
- li = purple
- vi = purple
- ge = yellow
- or = orange
- rs = pink



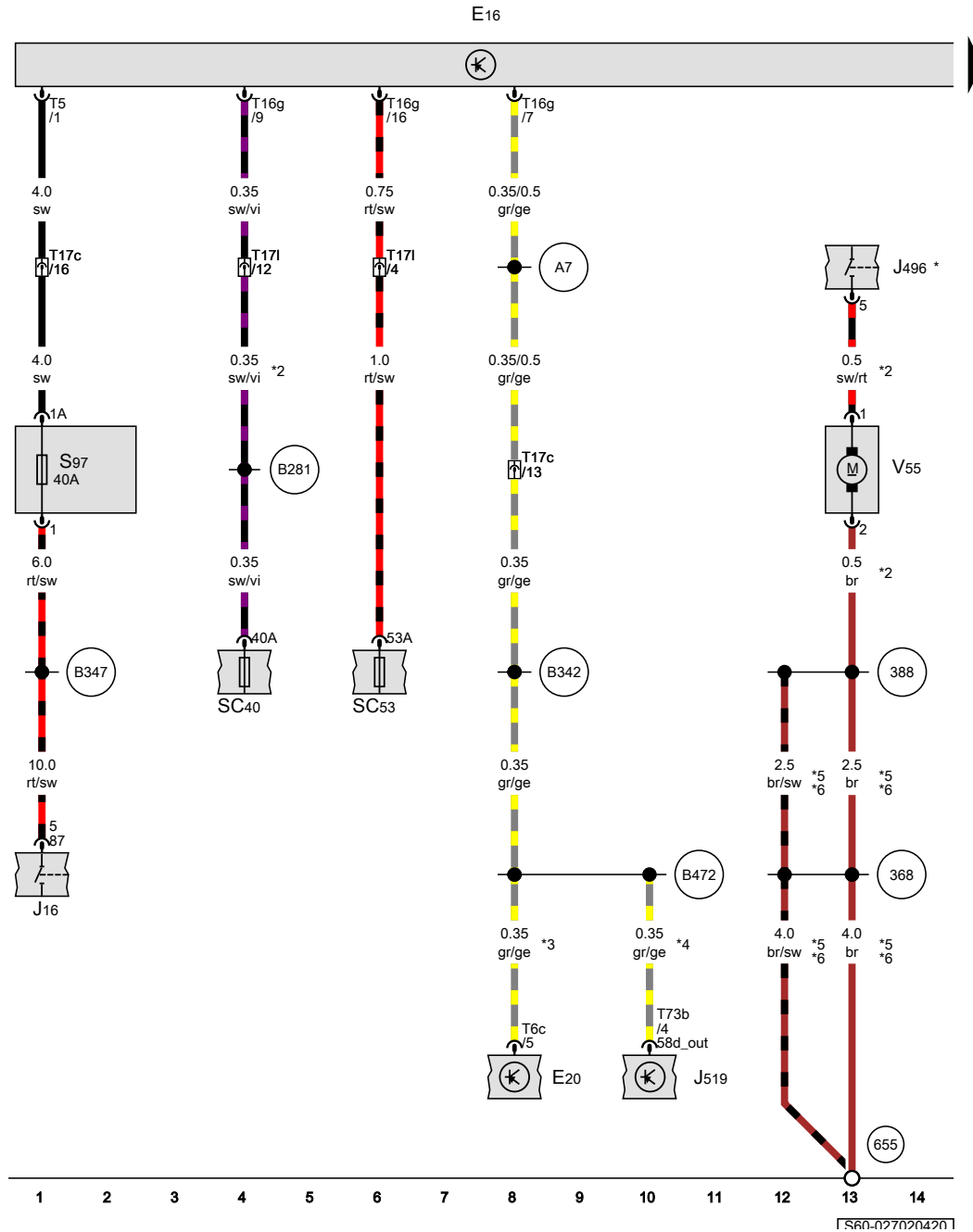
Overheating sensor, Coolant temperature sender for heater, Auxiliary heater control unit, Glow plug with flame monitor, Combustion air blower

- G189 Overheating sensor
- G241 Coolant temperature sender for heater
- J364 Auxiliary heater control unit
- Q8 Glow plug with flame monitor
- T2ch 2-pin connector, black
- T4ao 4-pin connector, black
- V6 Combustion air blower

- ws = white
- sw = black
- ro = red
- rt = red
- br = brown
- gn = green
- bl = blue
- gr = grey
- li = purple
- vi = purple
- ge = yellow
- or = orange
- rs = pink

Passenger compartment heater and ventilation system , (9AA)

From June 2016



ws = white
 sw = black
 ro = red
 rt = red
 br = brown
 gn = green
 bl = blue
 gr = grey
 li = purple
 vi = purple
 ge = yellow
 or = orange
 rs = pink

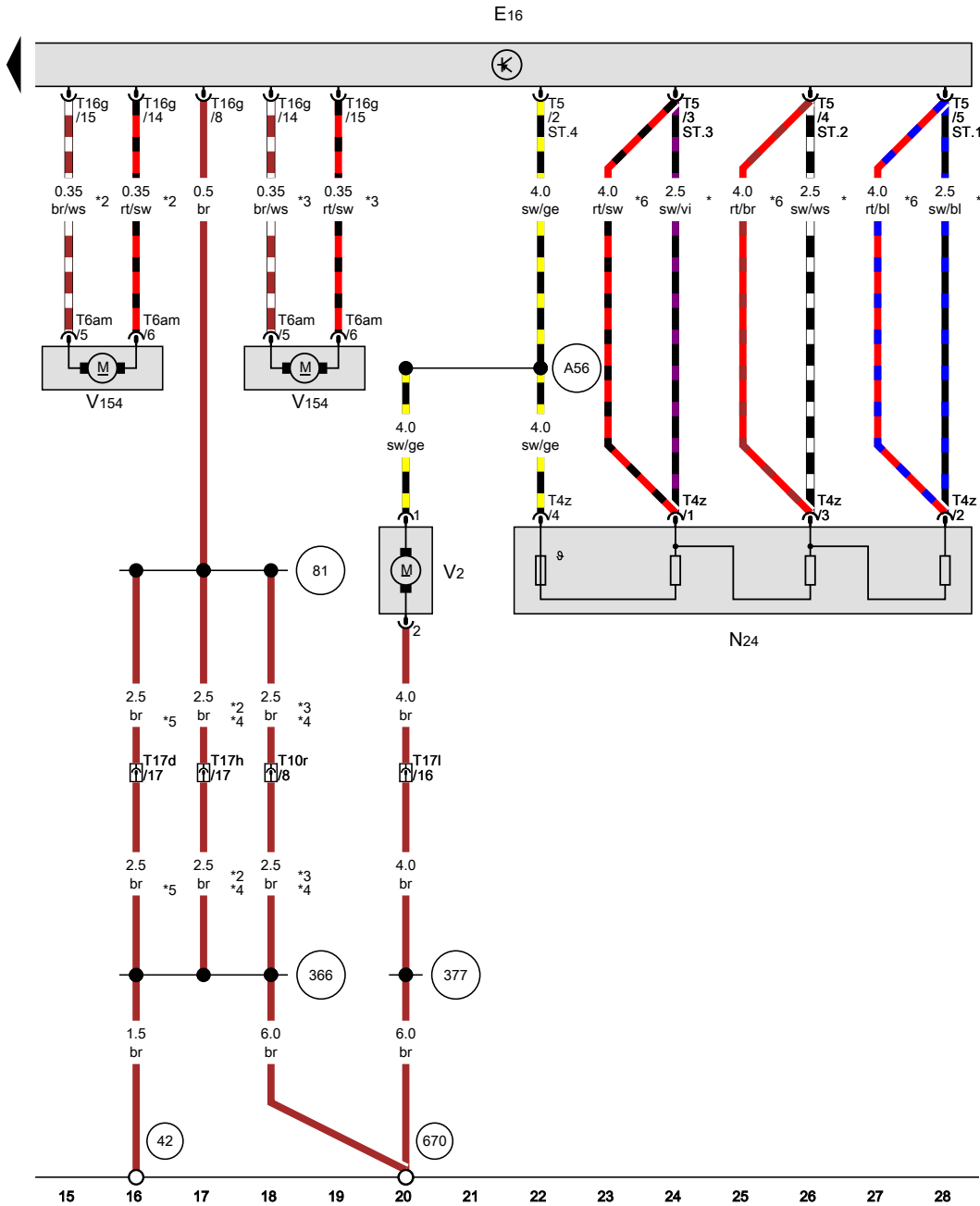
Heater/heat output switch, Switch and instrument illumination regulator, Current supply relay, Additional coolant pump relay, Onboard supply control unit, Fuse 40 on fuse holder C, Fuse 53 on fuse holder C, Fresh air blower fuse 1, Circulation pump

- E16 Heater/heat output switch
- E20 Switch and instrument illumination regulator
- J16 Current supply relay
- J496 Additional coolant pump relay
- J519 Onboard supply control unit, near driver side A-pillar
- SC40 Fuse 40 on fuse holder C
- SC53 Fuse 53 on fuse holder C
- S97 Fresh air blower fuse 1
- T5 5-pin connector, black
- T6c 6-pin connector, black
- T16g 16-pin connector, black
- T17c 17-pin connector, white, behind dash panel
- T171 17-pin connector, brown, behind dash panel
- T73b 73-pin connector, colourless
- V55 Circulation pump

- 368 Earth connection 3, in main wiring harness
- 388 Earth connection 23, in main wiring harness
- 655 Earth point, on left headlight
- A7 Positive connection (58 D1), in dash panel wiring harness
- B281 Positive connection 5 (15a) in main wiring harness
- B342 Connection 3 (58d), in main wiring harness
- B347 Connection 2 (75), in main wiring harness
- B472 Connection 8, in main wiring harness

- * see applicable current flow diagram for engine
- *2 For models with diesel engine
- *3 For models with dimmable instrument illumination
- *4 For models with no dimmable instrument illumination
- *5 Wiring colour depends on equipment
- *6 see applicable current flow diagram for earthing concept

1360-0270204201



Heater/heat output switch, Fresh air blower series resistor with overheating fuse, Fresh air blower, Fresh air and air recirculation flap control motor

- E16 Heater/heat output switch
- N24 Fresh air blower series resistor with overheating fuse
- T4z 4-pin connector, black
- T5 5-pin connector, black
- T6am 6-pin connector, blue
- T10r 10-pin connector, blue, behind dash panel
- T16g 16-pin connector, black
- T17d 17-pin connector, green, behind dash panel
- T17h 17-pin connector, blue, behind dash panel
- T171 17-pin connector, brown, behind dash panel
- V2 Fresh air blower
- V154 Fresh air and air recirculation flap control motor

- 42 Earth point, next to steering column
- 81 Earth connection 1, in dash panel wiring harness
- 366 Earth connection 1, in main wiring harness
- 377 Earth connection 12, in main wiring harness
- 670 Earth point 2, left A-pillar
- A56 Positive connection 2 (30), in dash panel wiring harness

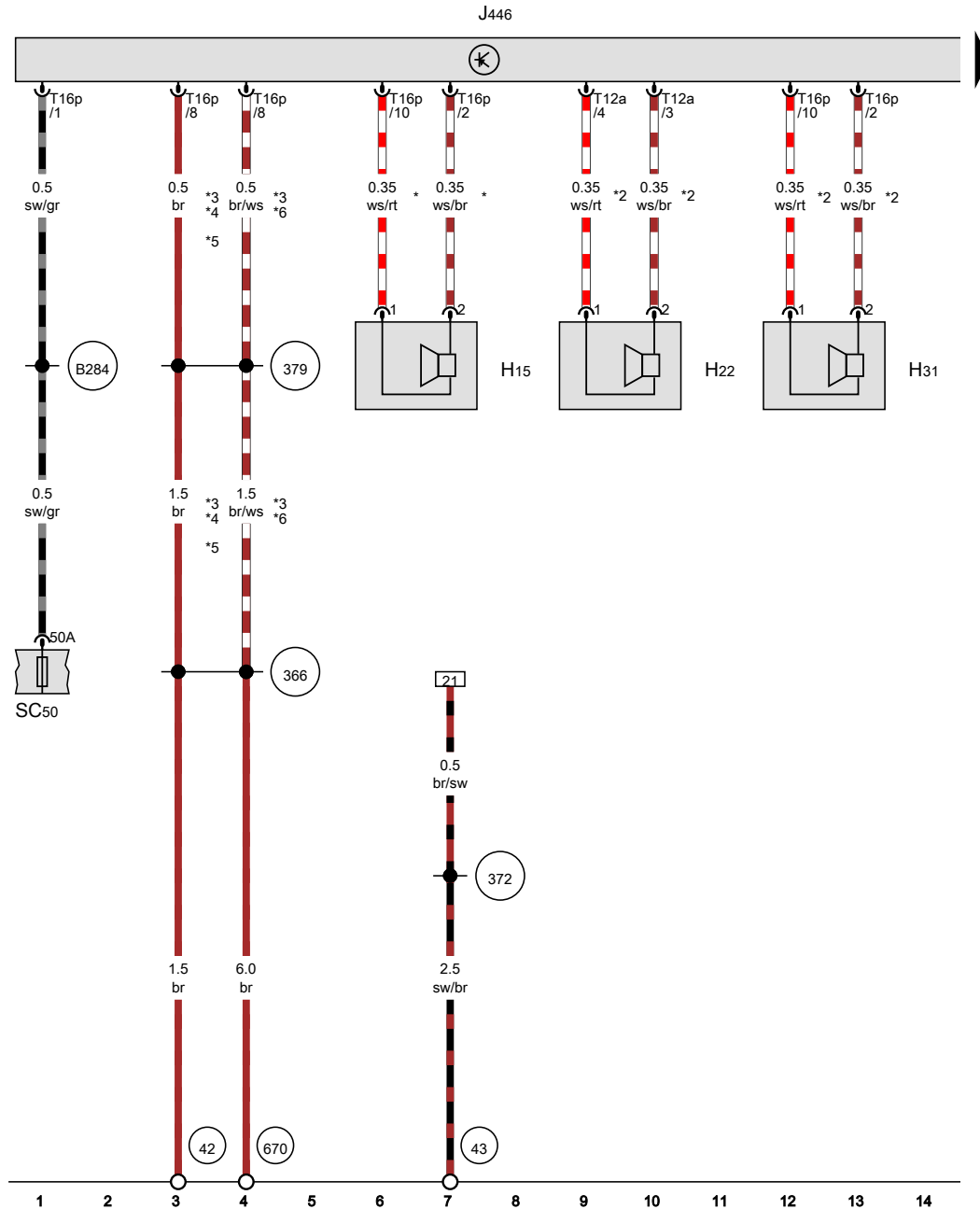
- * Up to February 2020
- *2 For left-hand drive models
- *3 For right-hand drive models
- *4 Up to January 2018
- *5 From January 2018
- *6 From February 2020

- ws = white
- sw = black
- ro = red
- rt = red
- br = brown
- gn = green
- bl = blue
- gr = grey
- li = purple
- vi = purple
- ge = yellow
- or = orange
- rs = pink

1 S60-0270304201

Parking aid (PDC)

From June 2016



Rear parking aid warning buzzer, Front parking aid warning buzzer, Warning buzzer 2 for rear parking aid, Parking aid control unit, Fuse 50 on fuse holder C

- H15 Rear parking aid warning buzzer, on relay carrier
- H22 Front parking aid warning buzzer, on relay carrier
- H31 Warning buzzer 2 for rear parking aid, behind right C-pillar trim
- J446 Parking aid control unit, lower part of A-pillar, front passenger side
- SC50 Fuse 50 on fuse holder C
- T12a 12-pin connector, brown
- T16p 16-pin connector, brown

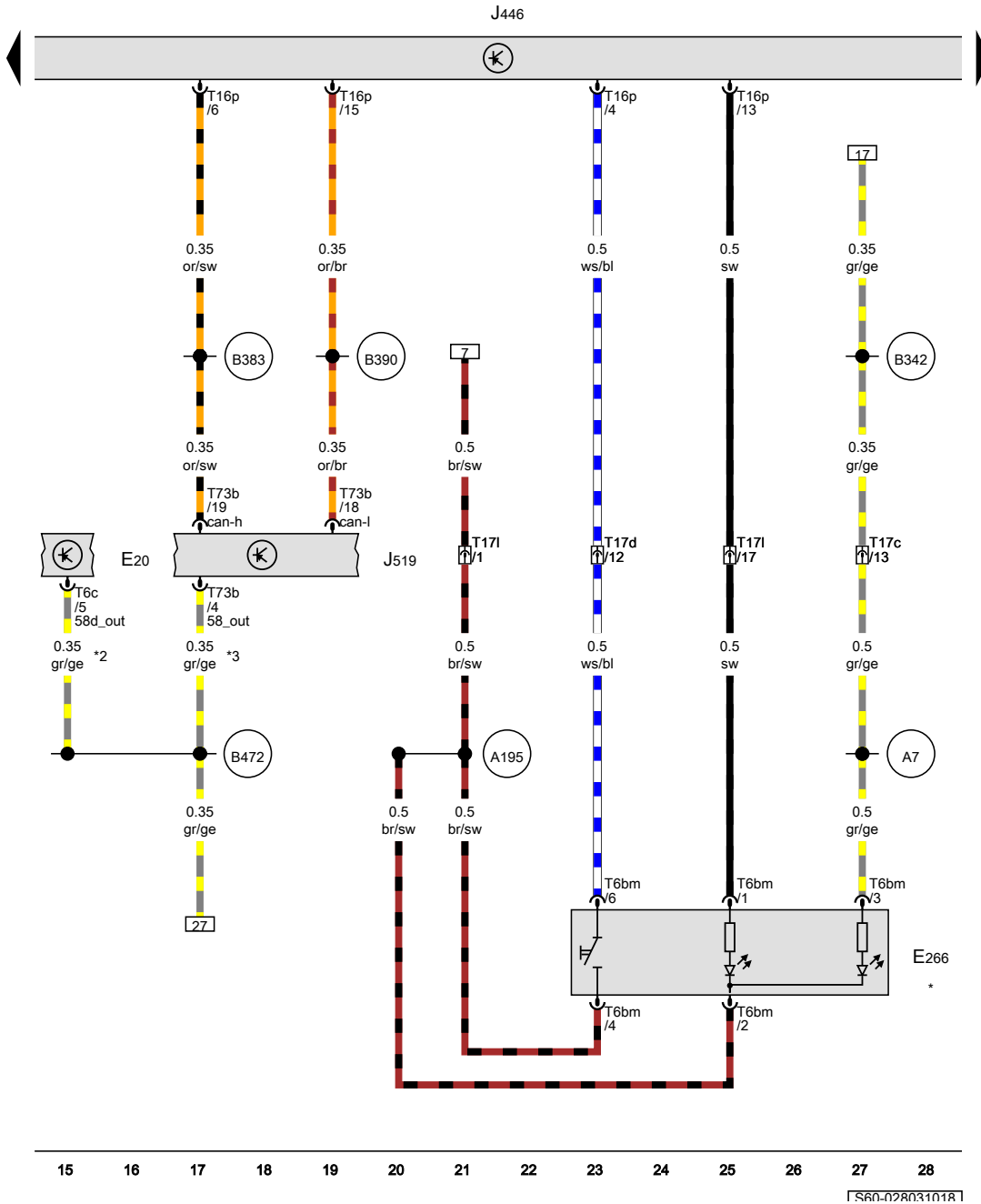
- 42 Earth point, next to steering column
- 43 Earth point, lower part of right A-pillar
- 366 Earth connection 1, in main wiring harness
- 372 Earth connection 7, in main wiring harness
- 379 Earth connection 14, in main wiring harness
- 670 Earth point 2, left A-pillar
- B284 Positive connection 8 (15a) in main wiring harness

- * For models with rear parking aid
- *2 For models with front/rear parking aid
- *3 For left-hand drive models
- *4 Up to February 2017
- *5 For right-hand drive models
- *6 From February 2017







- ws = white
- sw = black
- ro = red
- rt = red
- br = brown
- gn = green
- bl = blue
- gr = grey
- li = purple
- vi = purple
- ge = yellow
- or = orange
- rs = pink

1560-028021018

Switch and instrument illumination regulator, Parking aid button, Parking aid control unit, Onboard supply control unit



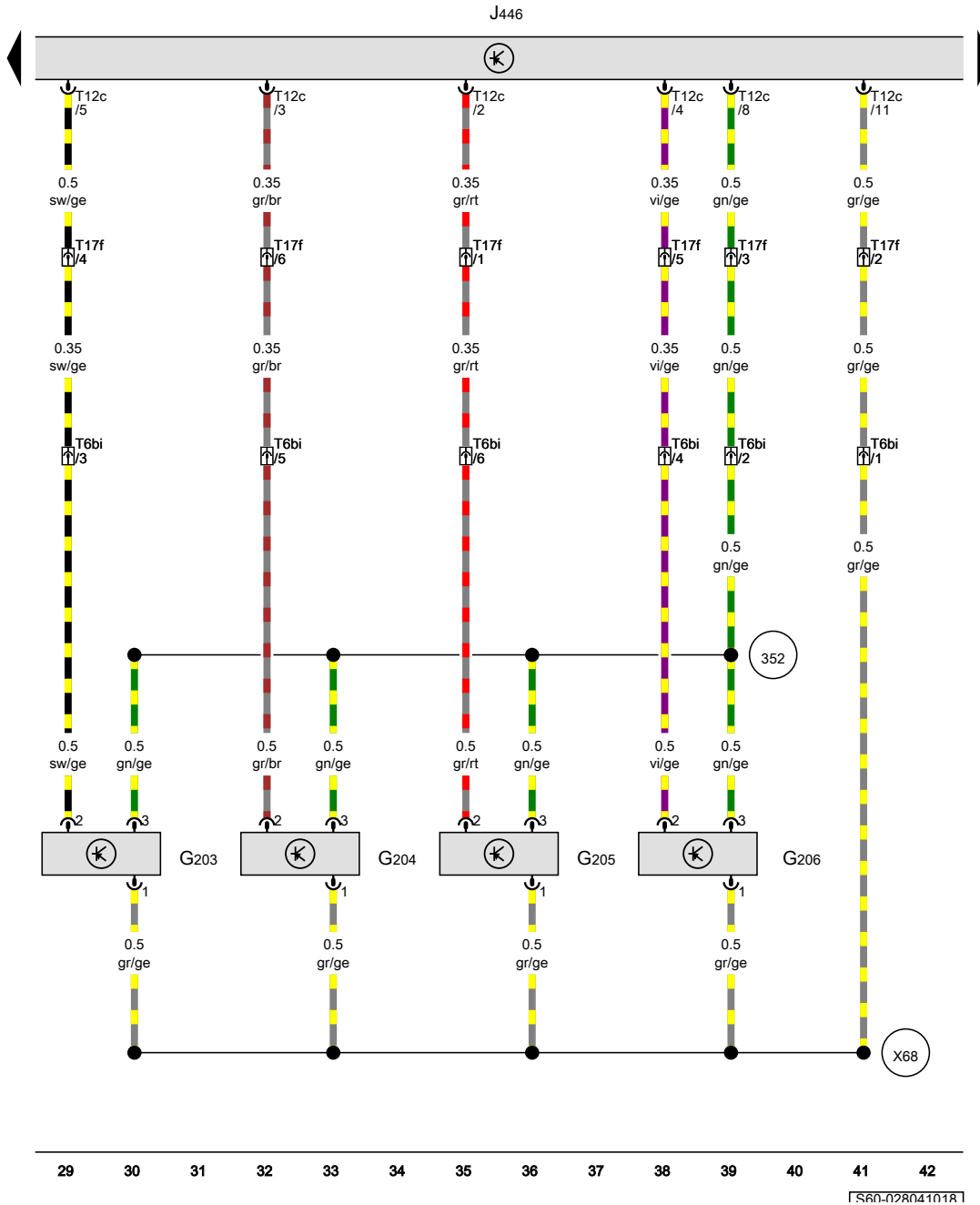
- E20 Switch and instrument illumination regulator
- E266 Parking aid button
- J446 Parking aid control unit, lower part of A-pillar, front passenger side
- J519 Onboard supply control unit
- T6bm 6-pin connector, white
- T6c 6-pin connector, black
- T16p 16-pin connector, brown
- T17c 17-pin connector, white, behind dash panel
- T17d 17-pin connector, green, behind dash panel
- T17l 17-pin connector, brown, behind dash panel
- T73b 73-pin connector, colourless

-  A7 Positive connection (58 D1), in dash panel wiring harness
-  A195 Connection 1 (PDC), in dash panel insert wiring harness
-  B342 Connection 3 (58d), in main wiring harness
-  B383 Connection 1 (powertrain CAN bus, high), in main wiring harness
-  B390 Connection 1 (powertrain CAN bus, low), in main wiring harness
-  B472 Connection 8, in main wiring harness
- * For models with front/rear parking aid
- *2 For models with dimmable instrument illumination
- *3 For models with no dimmable instrument illumination

- ws = white
- sw = black
- ro = red
- rt = red
- br = brown
- gn = green
- bl = blue
- gr = grey
- li = purple
- vi = purple
- ge = yellow
- or = orange
- rs = pink

15 16 17 18 19 20 21 22 23 24 25 26 27 28

1560-028031018

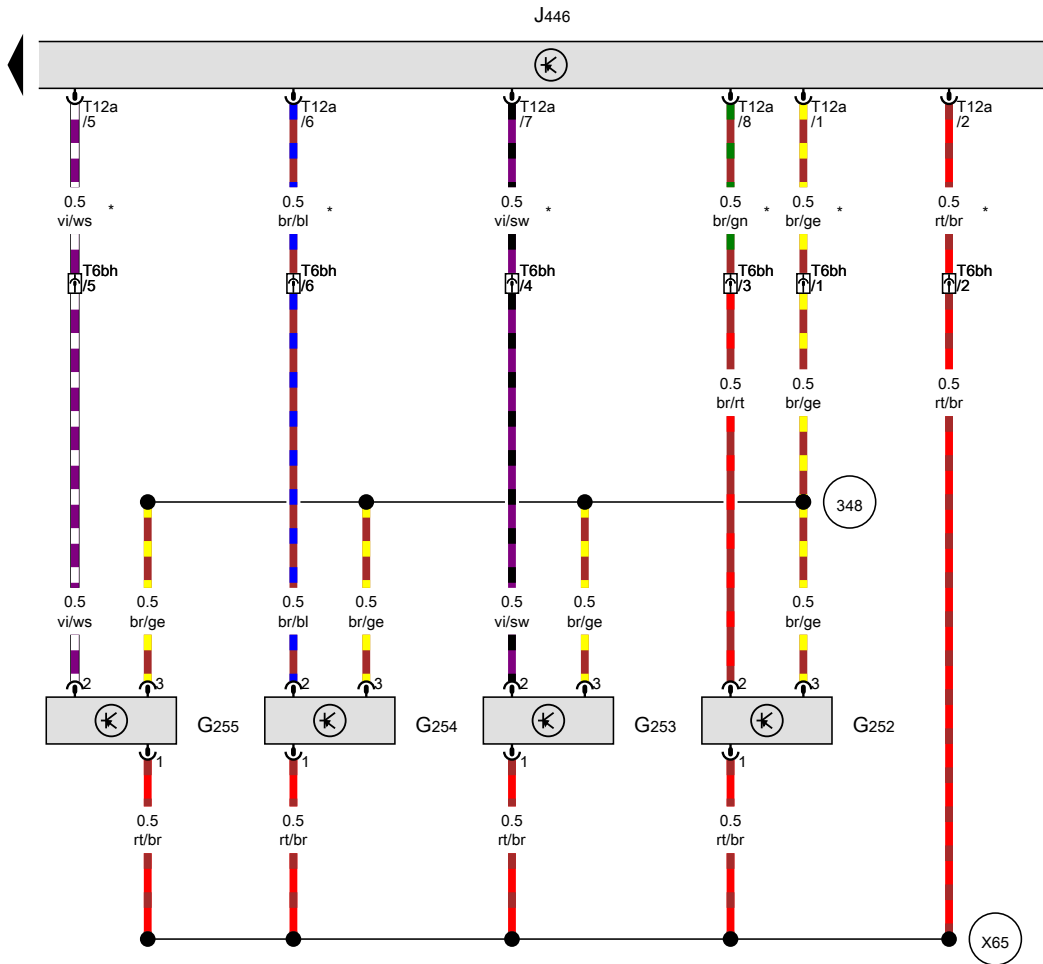


Rear left parking aid sender, Rear centre left parking aid sender, Rear centre right parking aid sender, Rear right parking aid sender, Parking aid control unit

- G203 Rear left parking aid sender
- G204 Rear centre left parking aid sender
- G205 Rear centre right parking aid sender
- G206 Rear right parking aid sender
- J446 Parking aid control unit, lower part of A-pillar, front passenger side
- T6bi 6-pin connector, black, under rear bumper on left
- T12c 12-pin connector, black
- T17f 17-pin connector, blue, near handbrake lever
- 352 Earth connection (parking aid), in rear bumper wiring harness
- X68 Positive connection (parking aid), in rear bumper wiring harness

- ws = white
- sw = black
- ro = red
- rt = red
- br = brown
- gn = green
- bl = blue
- gr = grey
- li = purple
- vi = purple
- ge = yellow
- or = orange
- rs = pink

1S60-02804101A1



Front right parking aid sender, Front centre right parking aid sender, Front centre left parking aid sender, Front left parking aid sender, Parking aid control unit

- G252 Front right parking aid sender
- G253 Front centre right parking aid sender
- G254 Front centre left parking aid sender
- G255 Front left parking aid sender
- J446 Parking aid control unit, lower part of A-pillar, front passenger side
- T6bh 6-pin connector, black, behind front bumper on left
- T12a 12-pin connector, brown
- 348 Earth connection (parking aid), in front bumper wiring harness
- X65 Connection (parking aid), in front bumper wiring harness
- * For models with front/rear parking aid

- ws = white
- sw = black
- ro = red
- rt = red
- br = brown
- gn = green
- bl = blue
- gr = grey
- li = purple
- vi = purple
- ge = yellow
- or = orange
- rs = pink

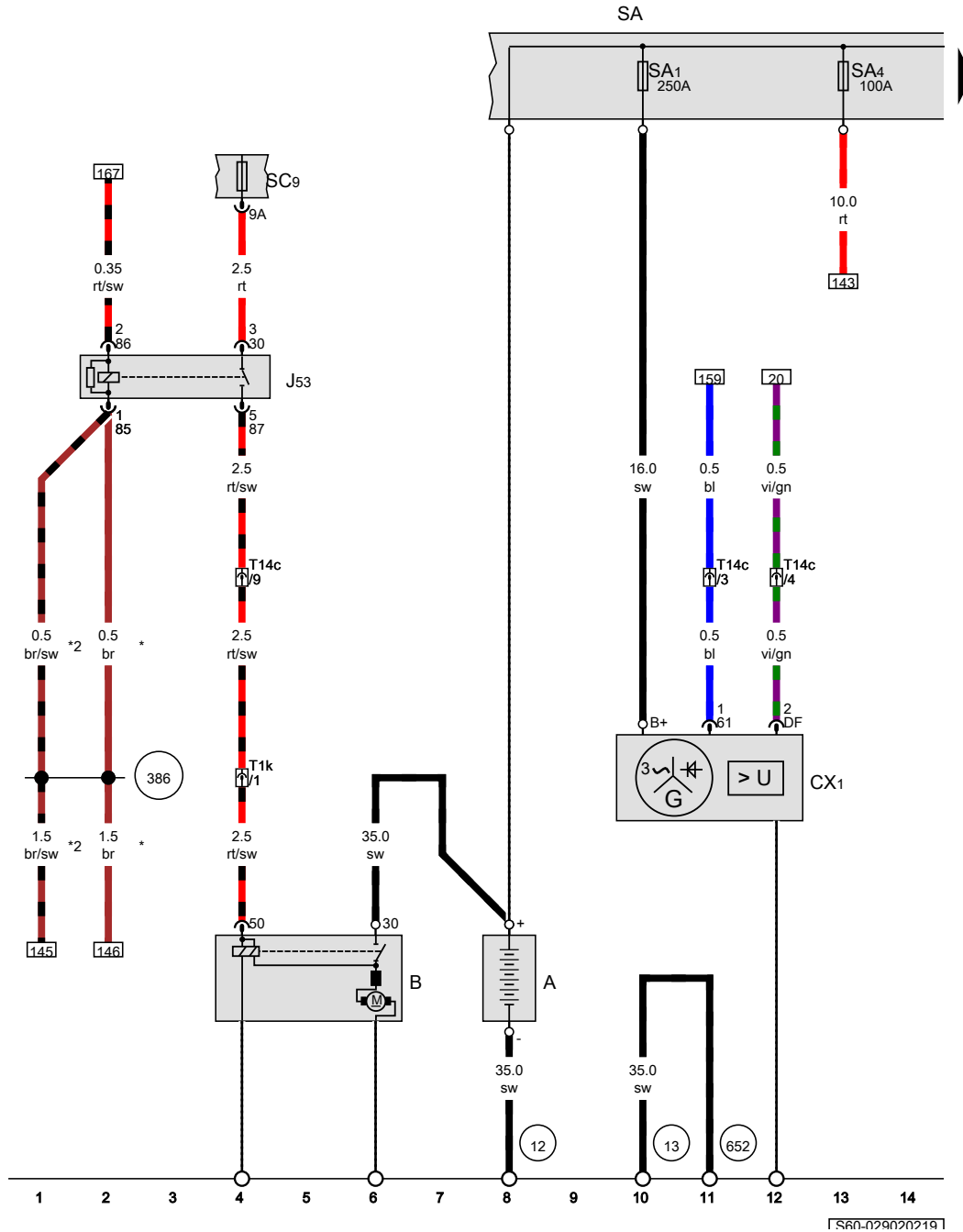
43 44 45 46 47 48 49 50 51 52 53 54 55 56

[S60-028051018]

2.0l petrol engine , CFPA

From June 2016

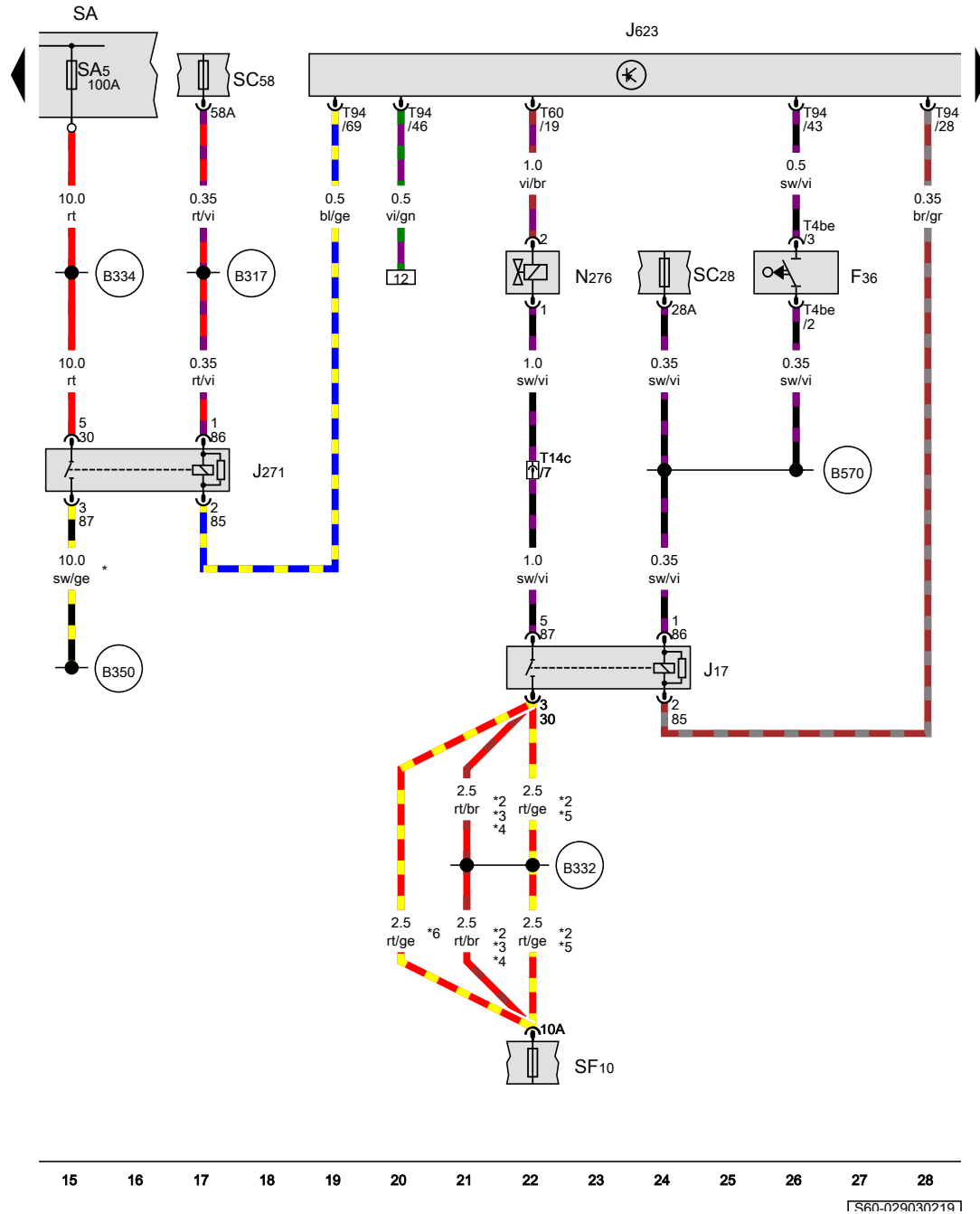
Battery, Starter, Alternator with voltage regulator, Starter motor relay, Fuse holder A, Fuse 9 on fuse holder C



- A Battery
- B Starter
- CX1 Alternator with voltage regulator
- J53 Starter motor relay
- SA Fuse holder A
- SA1 Fuse 1 on fuse holder A
- SA4 Fuse 4 on fuse holder A
- SC9 Fuse 9 on fuse holder C
- T1k 1-pin connector, black, near starter
- T14c 14-pin connector, grey, near battery
- 12 Earth point, on left in engine compartment
- 13 Earth point, on right in engine compartment
- 386 Earth connection 21, in main wiring harness
- 652 Earth point, engine and gearbox earth
- * Up to February 2017
- *2 From February 2017

- ws = white
- sw = black
- ro = red
- rt = red
- br = brown
- gn = green
- bl = blue
- gr = grey
- li = purple
- vi = purple
- ge = yellow
- or = orange
- rs = pink

1560-029020219



Clutch pedal switch, Fuel pump relay, Main relay, Engine/motor control unit, Fuel pressure regulating valve, Fuse holder A, Fuse 10 in fuse holder F, Fuse 28 on fuse holder C, Fuse 58 on fuse holder C

- F36 Clutch pedal switch
- J17 Fuel pump relay
- J271 Main relay
- J623 Engine/motor control unit
- N276 Fuel pressure regulating valve
- SA Fuse holder A
- SA5 Fuse 5 on fuse holder A
- SF10 Fuse 10 in fuse holder F
- SC28 Fuse 28 on fuse holder C
- SC58 Fuse 58 on fuse holder C
- T4be 4-pin connector, black
- T14c 14-pin connector, grey, near battery
- T60 60-pin connector, black
- T94 94-pin connector, black

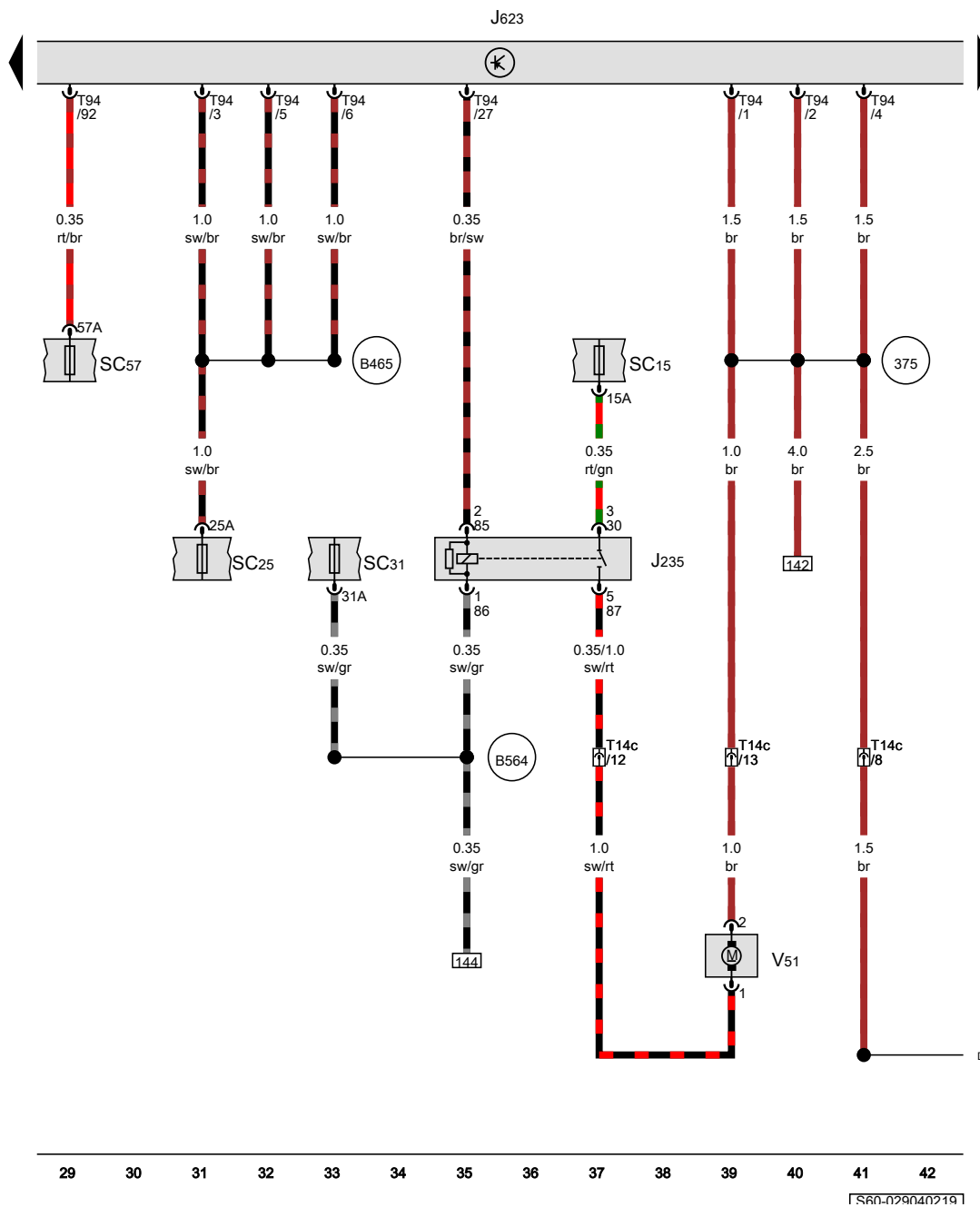
- (B317) Positive connection 3 (30a) in main wiring harness
- (B332) Positive connection 18 (30a) in main wiring harness
- (B334) Positive connection 20 (30a) in main wiring harness
- (B350) Positive connection 1 (87a) in main wiring harness
- (B570) Connection 37, in main wiring harness

- * see applicable current flow diagram for fuse assignment
- *2 Wiring colour depends on equipment
- *3 From February 2017
- *4 Up to July 2017
- *5 Up to February 2017
- *6 From July 2017

- ws = white
- sw = black
- ro = red
- rt = red
- br = brown
- gn = green
- bl = blue
- gr = grey
- li = purple
- vi = purple
- ge = yellow
- or = orange
- rs = pink

15 16 17 18 19 20 21 22 23 24 25 26 27 28

1560-0290302191



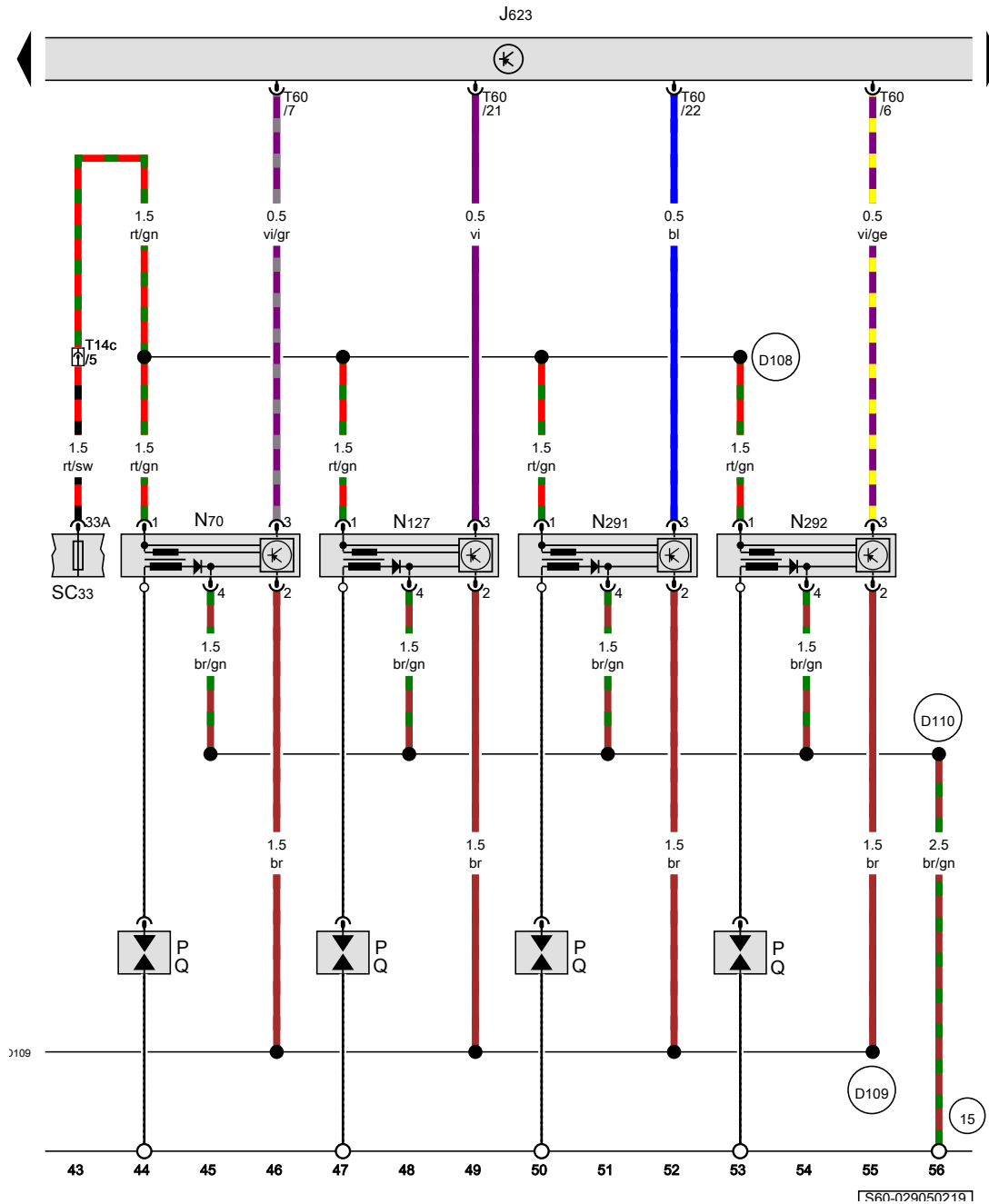
Coolant pump relay, Engine/motor control unit, Fuse 15 on fuse holder C, Fuse 25 on fuse holder C, Fuse 31 on fuse holder C, Fuse 57 on fuse holder C, Continued coolant circulation pump

- J235 Coolant pump relay
- J623 Engine/motor control unit
- SC15 Fuse 15 on fuse holder C
- SC25 Fuse 25 on fuse holder C
- SC31 Fuse 31 on fuse holder C
- SC57 Fuse 57 on fuse holder C
- T14c 14-pin connector, grey, near battery
- T94 94-pin connector, black
- V51 Continued coolant circulation pump
- 375 Earth connection 10, in main wiring harness
- B465 Connection 1, in main wiring harness
- B564 Connection 31, in main wiring harness
- D109 Connection 7 in engine compartment wiring harness

- ws = white
- sw = black
- ro = red
- rt = red
- br = brown
- gn = green
- bl = blue
- gr = grey
- li = purple
- vi = purple
- ge = yellow
- or = orange
- rs = pink

29 30 31 32 33 34 35 36 37 38 39 40 41 42

[S60-029040219]

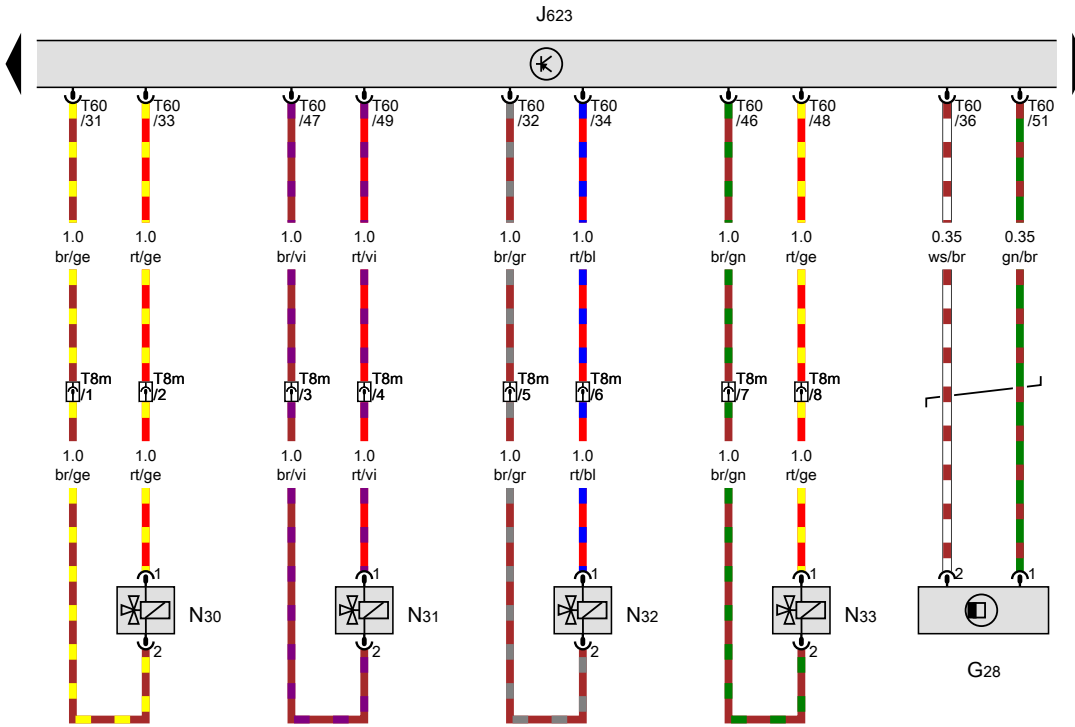


Engine/motor control unit, Ignition coil 1 with output stage, Ignition coil 2 with output stage, Ignition coil 3 with output stage, Ignition coil 4 with output stage, Spark plug connector, Spark plugs, Fuse 33 on fuse holder C

- J623 Engine/motor control unit
- N70 Ignition coil 1 with output stage
- N127 Ignition coil 2 with output stage
- N291 Ignition coil 3 with output stage
- N292 Ignition coil 4 with output stage
- P Spark plug connector
- Q Spark plugs
- SC33 Fuse 33 on fuse holder C
- T14c 14-pin connector, grey, near battery
- T60 60-pin connector, black
- 15 Earth point, on cylinder head
- D108 Connection 6 in engine compartment wiring harness
- D109 Connection 7 in engine compartment wiring harness
- D110 Connection 8 in engine compartment wiring harness

- ws = white
- sw = black
- ro = red
- rt = red
- br = brown
- gn = green
- bl = blue
- gr = grey
- li = purple
- vi = purple
- ge = yellow
- or = orange
- rs = pink

[S60-029050219]



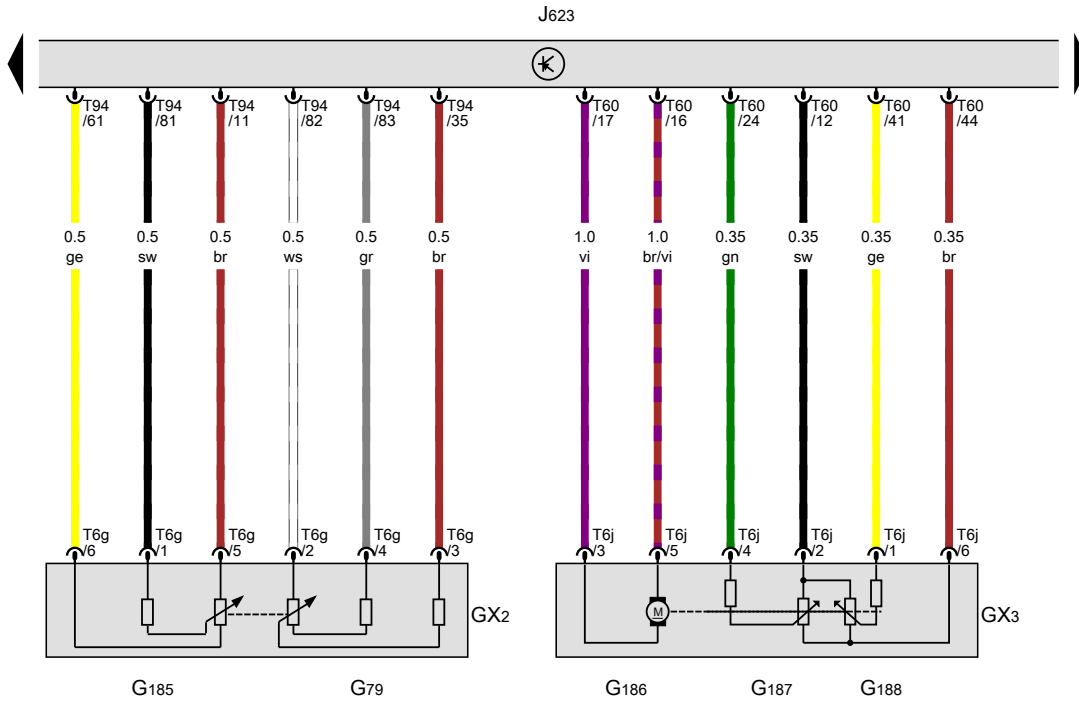
Engine speed sender, Engine/motor control unit, Injector, cylinder 1, Injector, cylinder 2, Injector, cylinder 3, Injector, cylinder 4

- G28 Engine speed sender
- J623 Engine/motor control unit
- N30 Injector, cylinder 1
- N31 Injector, cylinder 2
- N32 Injector, cylinder 3
- N33 Injector, cylinder 4
- T8m 8-pin connector, black
- T60 60-pin connector, black

- ws = white
- sw = black
- ro = red
- rt = red
- br = brown
- gn = green
- bl = blue
- gr = grey
- li = purple
- vi = purple
- ge = yellow
- or = orange
- rs = pink

57 58 59 60 61 62 63 64 65 66 67 68 69 70

[S60-029060219]



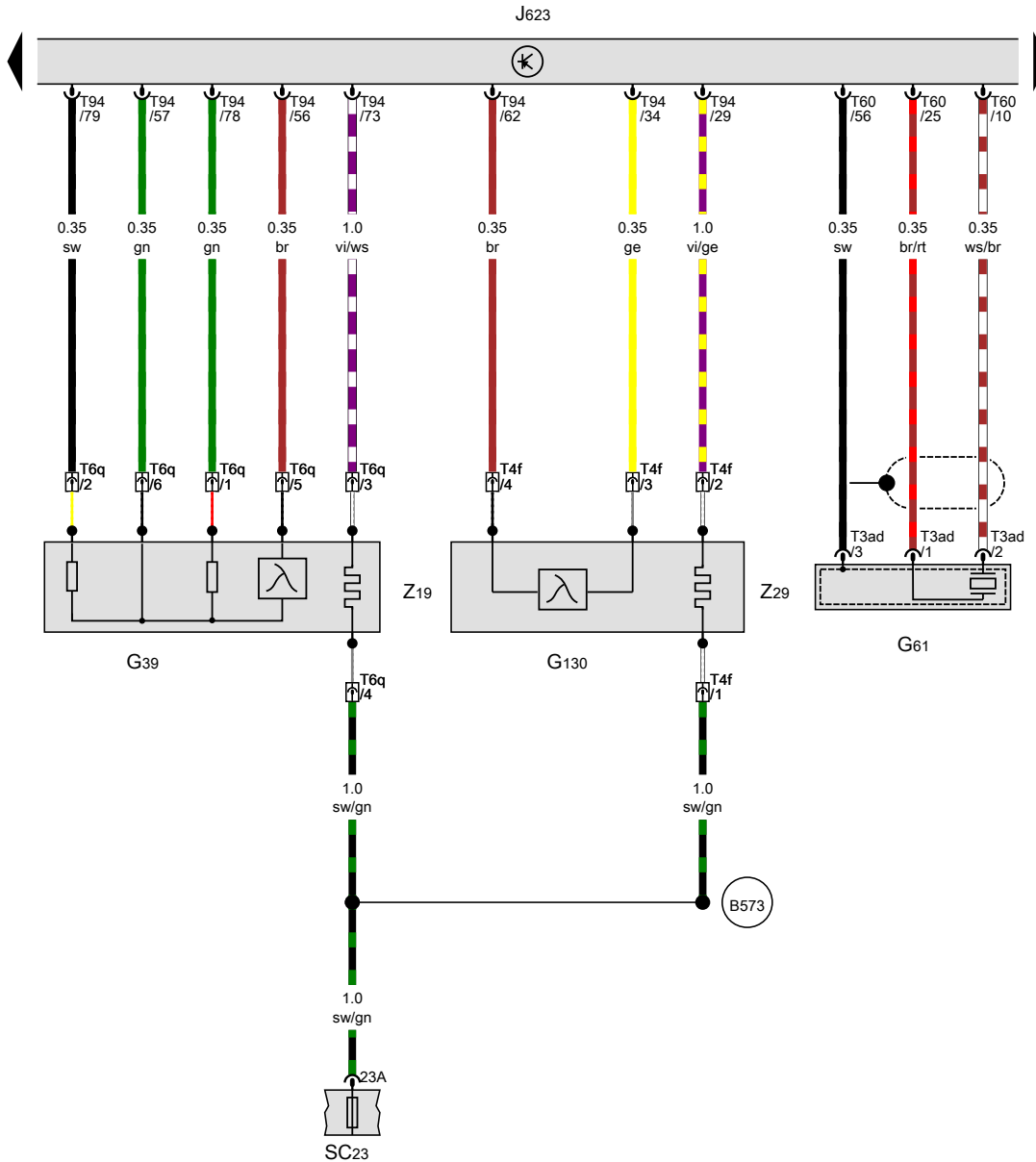
Accelerator pedal module, Throttle valve module, Throttle valve drive for electric throttle, Engine/motor control unit

- GX2 Accelerator pedal module
- GX3 Throttle valve module
- G79 Accelerator position sender
- G185 Accelerator position sender 2
- G186 Throttle valve drive for electric throttle
- G187 Throttle valve drive angle sender 1 for electric throttle
- G188 Throttle valve drive angle sender 2 for electric throttle
- J623 Engine/motor control unit
- T6g 6-pin connector, black
- T6j 6-pin connector, black
- T60 60-pin connector, black
- T94 94-pin connector, black

- ws = white
- sw = black
- ro = red
- rt = red
- br = brown
- gn = green
- bl = blue
- gr = grey
- li = purple
- vi = purple
- ge = yellow
- or = orange
- rs = pink


71 72 73 74 75 76 77 78 79 80 81 82 83 84

[S60-029070219]



Lambda probe, Knock sensor 1, Lambda probe after catalytic converter, Engine/motor control unit, Fuse 23 on fuse holder C

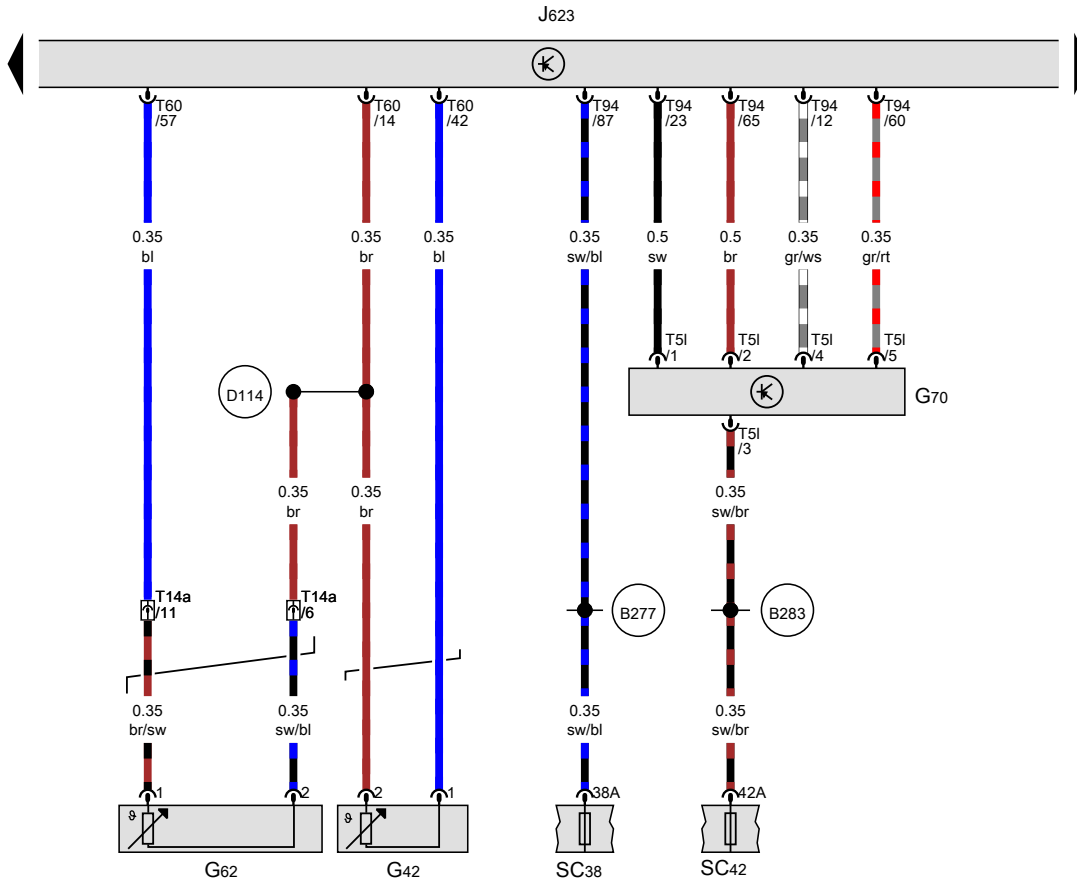
- G39 Lambda probe
- G61 Knock sensor 1
- G130 Lambda probe after catalytic converter
- J623 Engine/motor control unit
- SC23 Fuse 23 on fuse holder C
- T3ad 3-pin connector, green
- T4f 4-pin connector, brown, in rear right of engine compartment
- T6q 6-pin connector, black, front right in engine compartment
- T60 60-pin connector, black
- T94 94-pin connector, black
- Z19 Lambda probe heater
- Z29 Lambda probe 1 heater after catalytic converter

 Connection 40, in main wiring harness

- ws = white
- sw = black
- ro = red
- rt = red
- br = brown
- gn = green
- bl = blue
- gr = grey
- li = purple
- vi = purple
- ge = yellow
- or = orange
- rs = pink

85 86 87 88 89 90 91 92 93 94 95 96 97 98

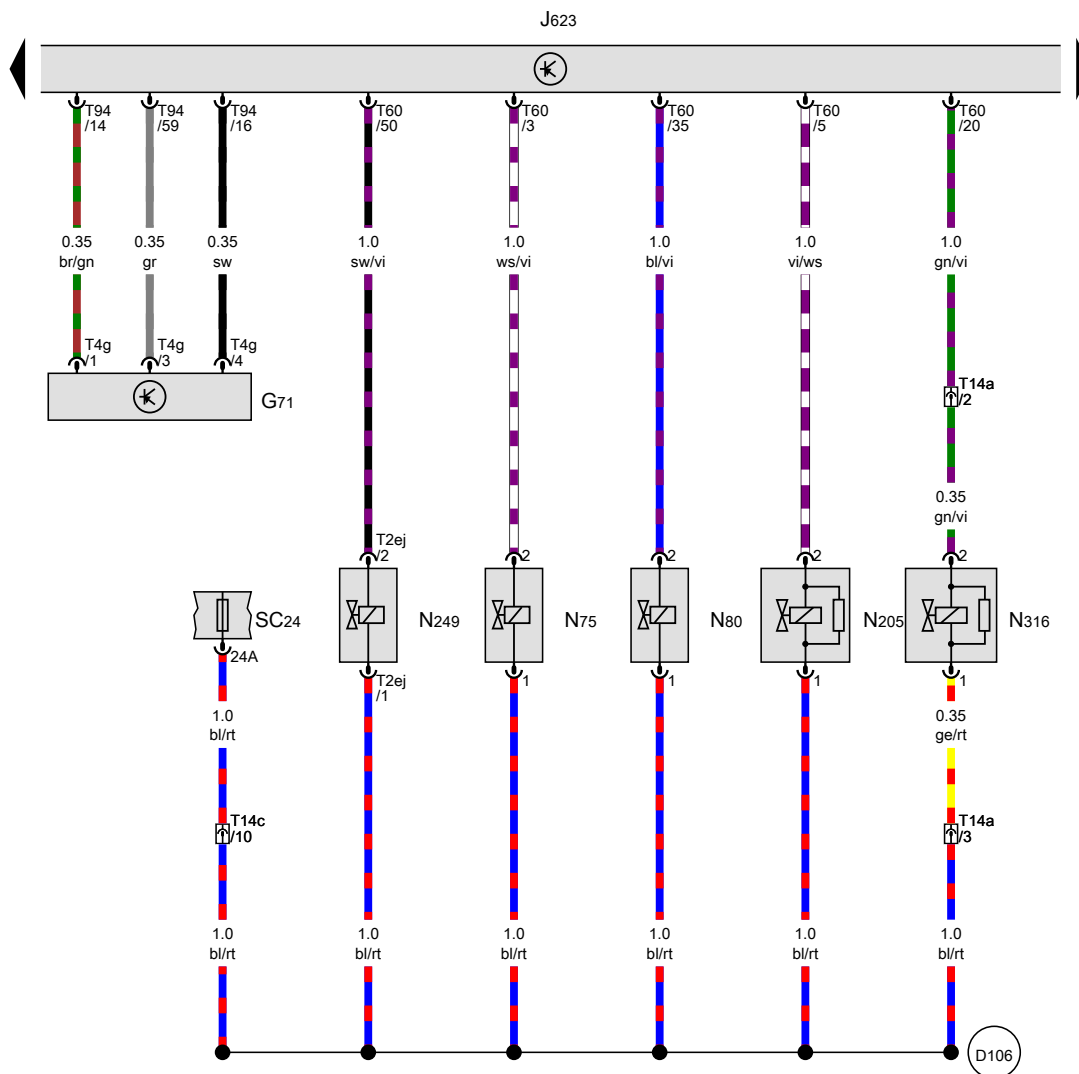
[S60-029080219]



Intake air temperature sender, Coolant temperature sender, Air mass meter, Engine/motor control unit, Fuse 38 on fuse holder C, Fuse 42 on fuse holder C

- G42 Intake air temperature sender
- G62 Coolant temperature sender
- G70 Air mass meter
- J623 Engine/motor control unit
- SC38 Fuse 38 on fuse holder C
- SC42 Fuse 42 on fuse holder C
- T51 5-pin connector, black
- T14a 14-pin connector, black, front left in engine compartment
- T60 60-pin connector, black
- T94 94-pin connector, black
- B277** Positive connection 1 (15a) in main wiring harness
- B283** Positive connection 7 (15a) in main wiring harness
- D114** Connection 12 in engine compartment wiring harness

- ws = white
- sw = black
- ro = red
- rt = red
- br = brown
- gn = green
- bl = blue
- gr = grey
- li = purple
- vi = purple
- ge = yellow
- or = orange
- rs = pink



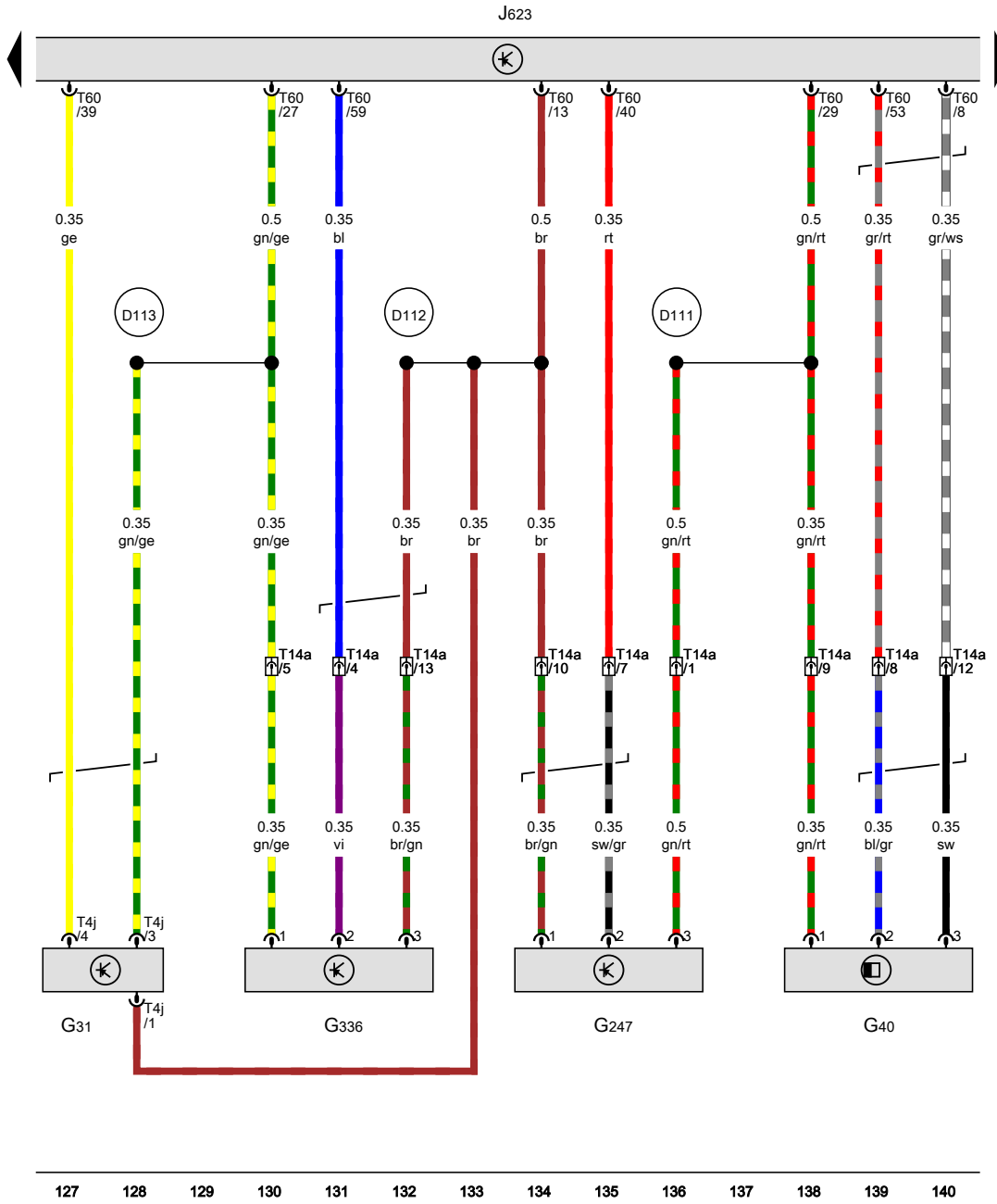
Intake manifold pressure sender, Engine/motor control unit, Charge pressure control solenoid valve, Activated charcoal filter solenoid valve 1, Camshaft control valve 1, Turbocharger air recirculation valve, Intake manifold flap valve, Fuse 24 on fuse holder C

- G71 Intake manifold pressure sender
- J623 Engine/motor control unit
- N75 Charge pressure control solenoid valve
- N80 Activated charcoal filter solenoid valve 1
- N205 Camshaft control valve 1
- N249 Turbocharger air recirculation valve
- N316 Intake manifold flap valve
- SC24 Fuse 24 on fuse holder C
- T2ej 2-pin connector, brown
- T4g 4-pin connector, black
- T14a 14-pin connector, black, front left in engine compartment
- T14c 14-pin connector, grey, near battery
- T60 60-pin connector, black
- T94 94-pin connector, black
- D106 Connection 4 in engine compartment wiring harness

- ws = white
- sw = black
- ro = red
- rt = red
- br = brown
- gn = green
- bl = blue
- gr = grey
- li = purple
- vi = purple
- ge = yellow
- or = orange
- rs = pink

113 114 115 116 117 118 119 120 121 122 123 124 125 126

[S60-029100219]



Charge pressure sender, Hall sender, Fuel pressure sender, Intake manifold flap potentiometer, Engine/motor control unit

- G31 Charge pressure sender
- G40 Hall sender
- G247 Fuel pressure sender
- G336 Intake manifold flap potentiometer
- J623 Engine/motor control unit
- T4j 4-pin connector, black
- T14a 14-pin connector, black, front left in engine compartment
- T60 60-pin connector, black

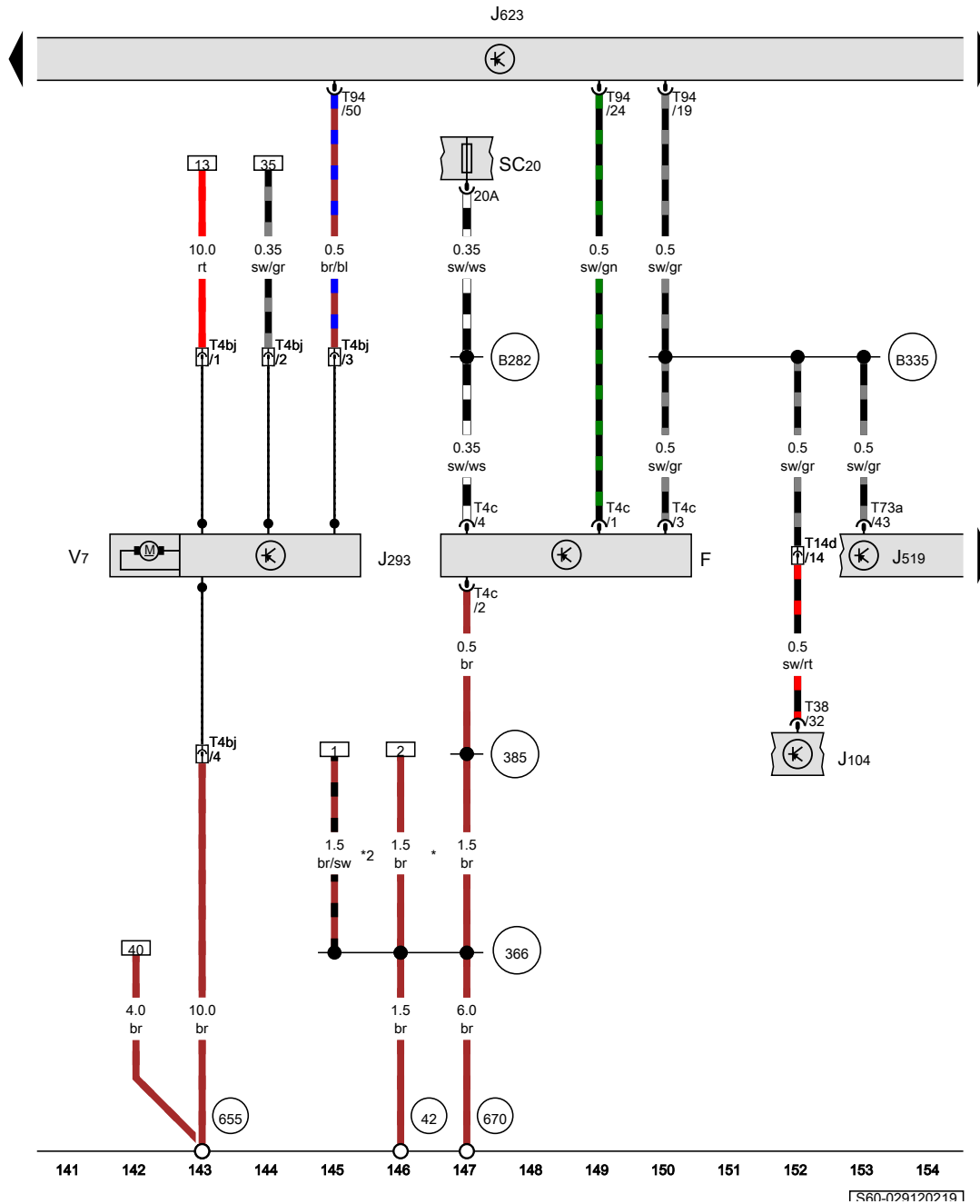
- D111 Connection 9 in engine compartment wiring harness
- D112 Connection 10 in engine compartment wiring harness
- D113 Connection 11 in engine compartment wiring harness

- ws = white
- sw = black
- ro = red
- rt = red
- br = brown
- gn = green
- bl = blue
- gr = grey
- li = purple
- vi = purple
- ge = yellow
- or = orange
- rs = pink

127 128 129 130 131 132 133 134 135 136 137 138 139 140

[S60-029110219]

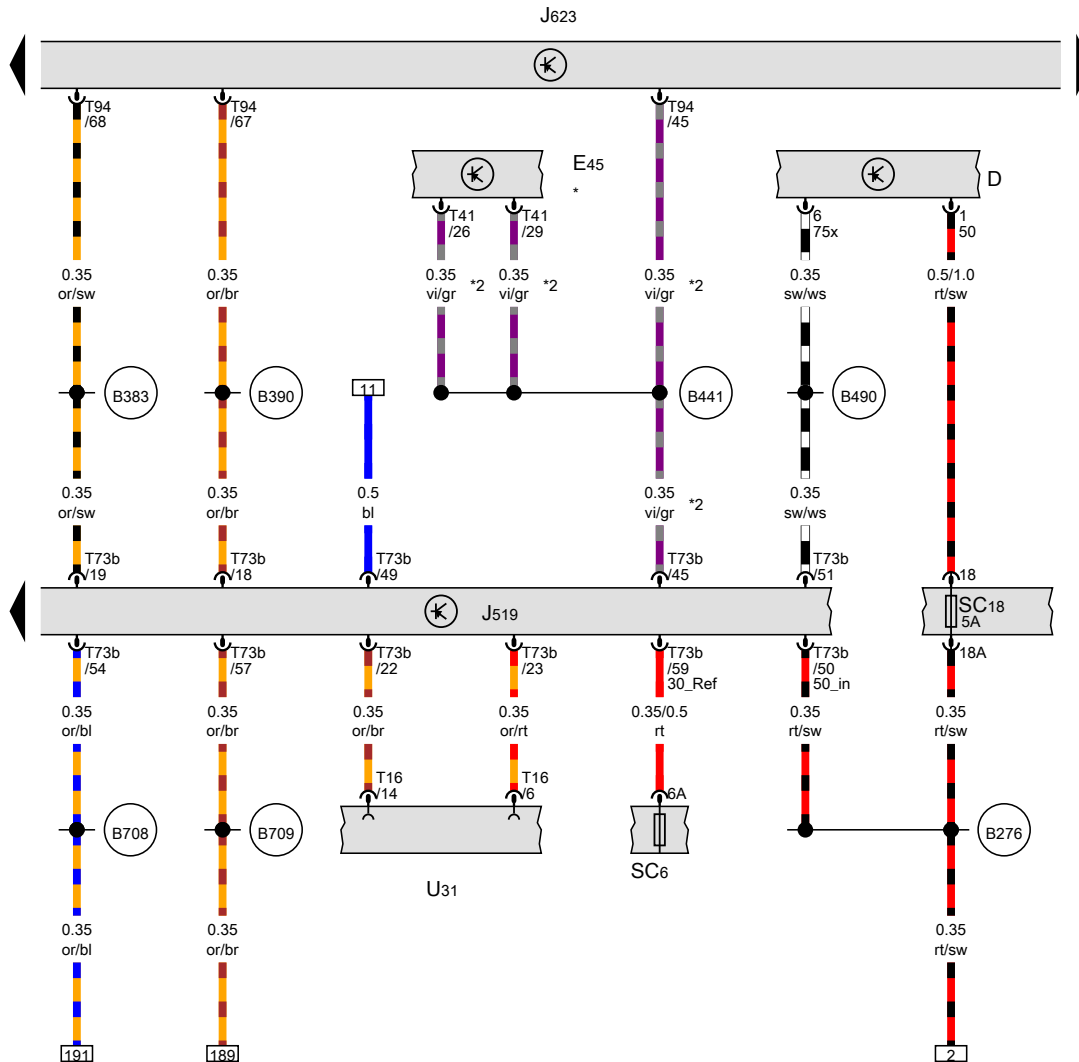
Brake light switch, ABS control unit, Engine/motor control unit, Fuse 20 on fuse holder C



- F Brake light switch
 - J104 ABS control unit
 - J293 Radiator fan control unit
 - J519 Onboard supply control unit
 - J623 Engine/motor control unit
 - SC20 Fuse 20 on fuse holder C
 - T4bj 4-pin connector, black, on radiator cowl
 - T4c 4-pin connector, black
 - T14d 14-pin connector, black, near battery
 - T38 38-pin connector, black
 - T73a 73-pin connector, black
 - T94 94-pin connector, black
 - V7 Radiator fan
- 42 Earth point, next to steering column
 - 366 Earth connection 1, in main wiring harness
 - 385 Earth connection 20, in main wiring harness
 - 655 Earth point, on left headlight
 - 670 Earth point 2, left A-pillar
 - B282 Positive connection 6 (15a) in main wiring harness
 - B335 Connection 1 (54), in main wiring harness
- * Up to February 2017
 - *2 From February 2017

ws = white
 sw = black
 ro = red
 rt = red
 br = brown
 gn = green
 bl = blue
 gr = grey
 li = purple
 vi = purple
 ge = yellow
 or = orange
 rs = pink

TS60-029120219



Ignition/starter switch, Cruise control system switch, Engine/motor control unit, Fuse 6 on fuse holder C, Fuse 18 on fuse holder C

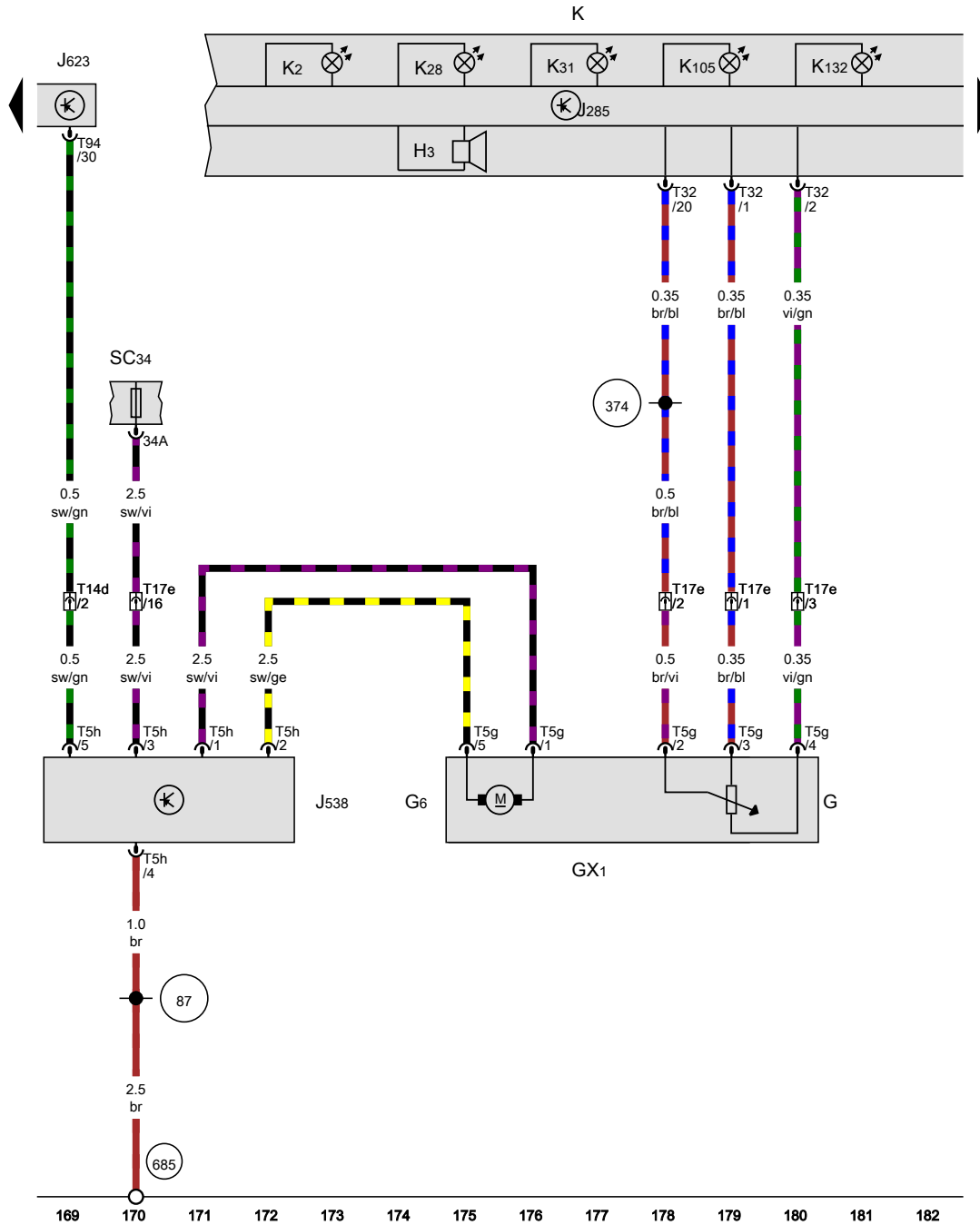
- D Ignition/starter switch
- E45 Cruise control system switch
- J519 Onboard supply control unit
- J623 Engine/motor control unit
- SC6 Fuse 6 on fuse holder C
- SC18 Fuse 18 on fuse holder C
- T16 16-pin connector, black
- T73b 73-pin connector, white
- T94 94-pin connector, black
- U31 Diagnostic connection

- B276 Positive connection (50), in main wiring harness
- B383 Connection 1 (powertrain CAN bus, high), in main wiring harness
- B390 Connection 1 (powertrain CAN bus, low), in main wiring harness
- B441 Connection (CCS), in main wiring harness
- B490 Connection 26, in main wiring harness
- B708 Connection 1 (dash panel insert CAN bus high) in main wiring harness
- B709 Connection 1 (dash panel insert CAN bus low) in main wiring harness
- * see applicable current flow diagram for basic equipment
- *2 For models with cruise control system (CCS)

- ws = white
- sw = black
- ro = red
- rt = red
- br = brown
- gn = green
- bl = blue
- gr = grey
- li = purple
- vi = purple
- ge = yellow
- or = orange
- rs = pink

155 156 157 158 159 160 161 162 163 164 165 166 167 168

[S60-029130219]



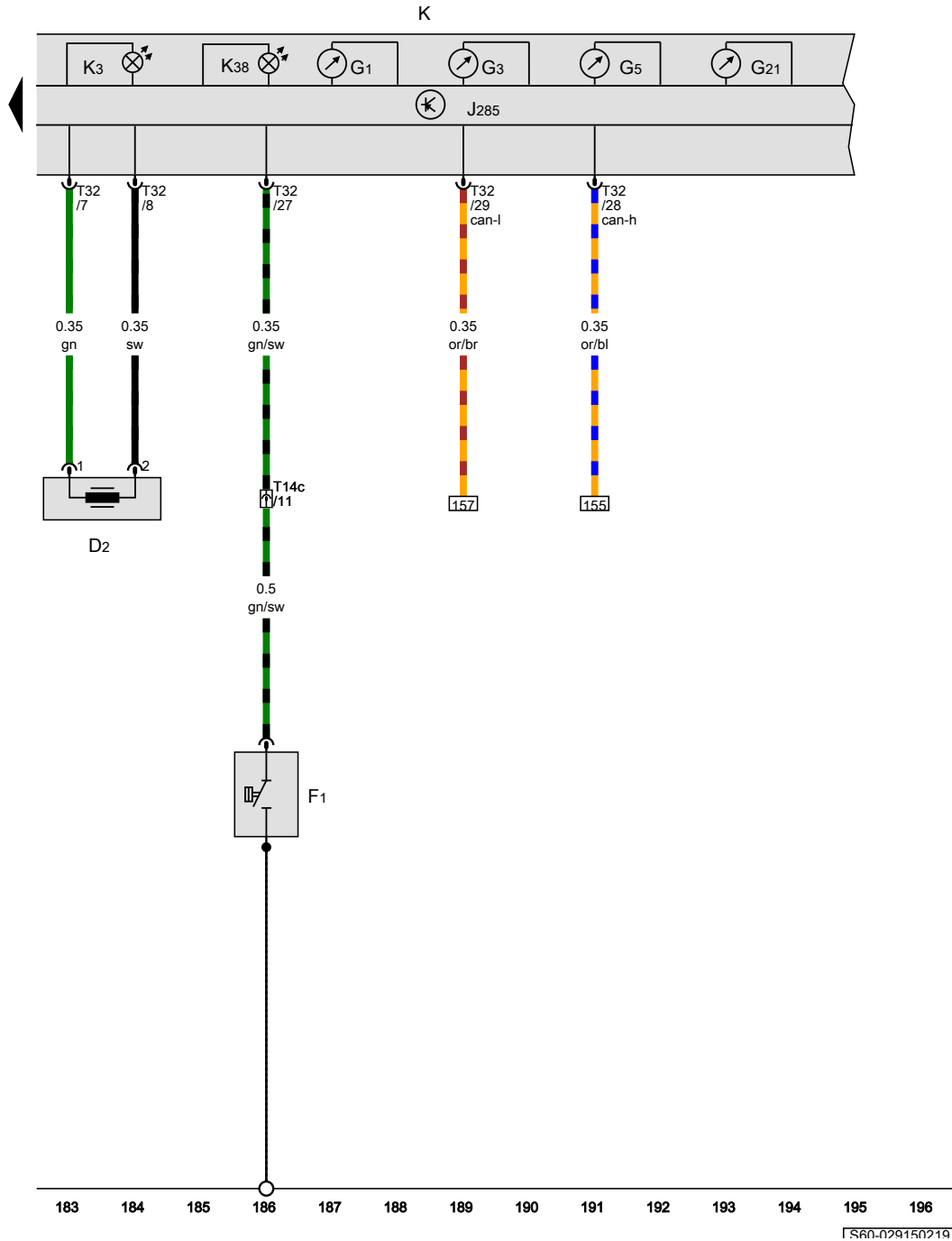
Fuel gauge sender, Fuel system pressurisation pump, Fuel pump control unit, Engine/motor control unit, Dash panel insert, Fuse 34 on fuse holder C

- G Fuel gauge sender, on fuel tank
- GX1 Fuel delivery unit
- G6 Fuel system pressurisation pump
- H3 Buzzer and gong
- J285 Control unit in dash panel insert
- J538 Fuel pump control unit, on fuel tank
- J623 Engine/motor control unit
- K Dash panel insert
- K2 Alternator warning lamp
- K28 Coolant temperature and coolant shortage warning lamp
- K31 Cruise control system warning lamp
- K105 Reserve fuel warning lamp
- K132 Electronic power control fault lamp
- SC34 Fuse 34 on fuse holder C
- T5g 5-pin connector, black
- T5h 5-pin connector, black
- T14d 14-pin connector, black, near battery
- T17e 17-pin connector, red, near handbrake lever
- T32 32-pin connector, blue
- T94 94-pin connector, black

- 87 Earth connection 2, in rear wiring harness
- 374 Earth connection 9, in main wiring harness
- 685 Earth point 1, on front of right longitudinal member

- ws = white
- sw = black
- ro = red
- rt = red
- br = brown
- gn = green
- bl = blue
- gr = grey
- li = purple
- vi = purple
- ge = yellow
- or = orange
- rs = pink

TS60-0291402191



Oil pressure switch, Dash panel insert

- D2 Immobiliser reader coil
- F1 Oil pressure switch
- G1 Fuel gauge
- G3 Coolant temperature gauge
- G5 Rev. counter
- G21 Speedometer
- J285 Control unit in dash panel insert
- K Dash panel insert
- K3 Oil pressure warning lamp
- K38 Oil level warning lamp
- T14c 14-pin connector, grey, near battery
- T32 32-pin connector, blue

- ws = white
- sw = black
- ro = red
- rt = red
- br = brown
- gn = green
- bl = blue
- gr = grey
- li = purple
- vi = purple
- ge = yellow
- or = orange
- rs = pink

[S60-029150219]

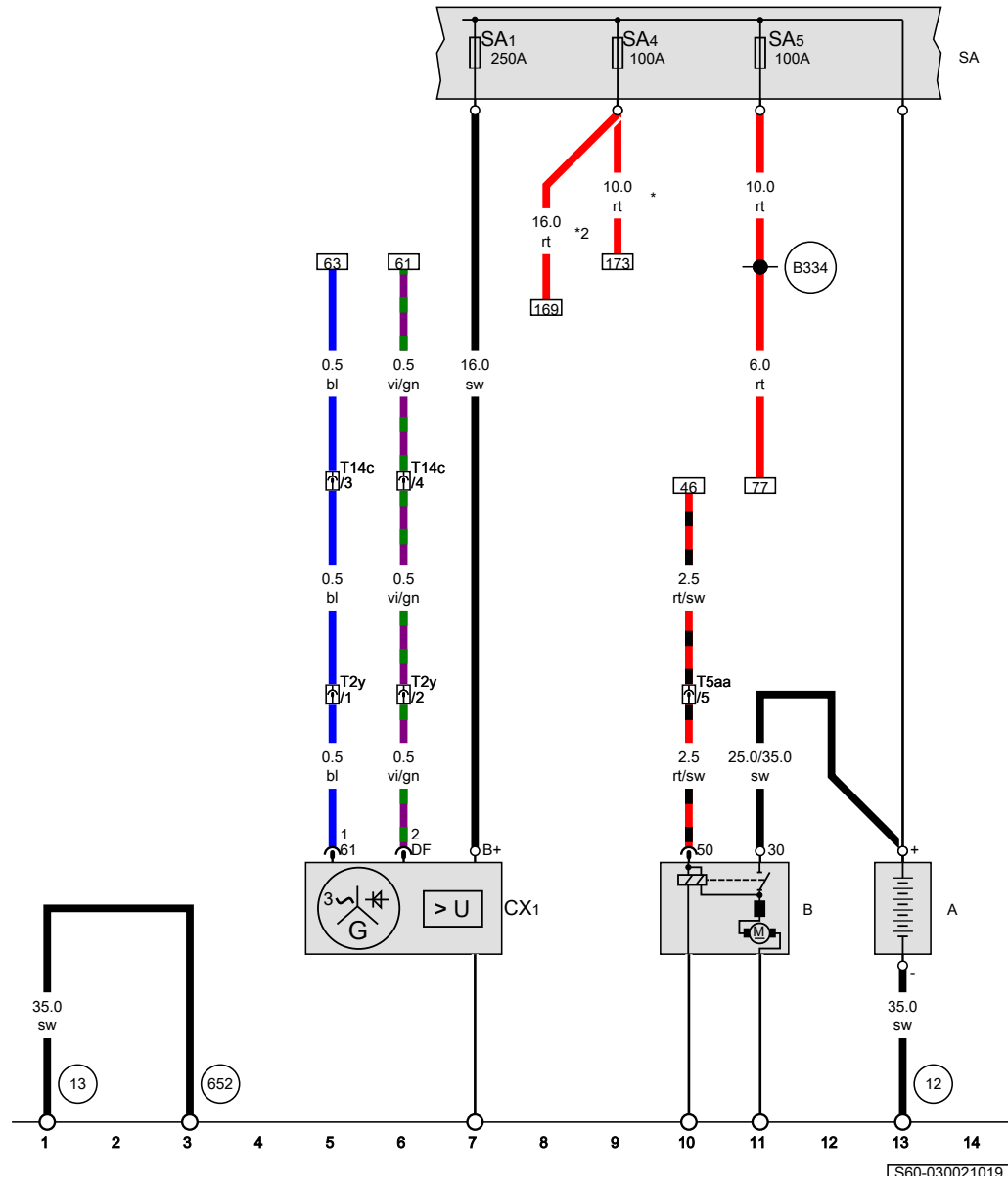
2.0l diesel engine , CNFB,(7L3)

From June 2016

Battery, Starter, Alternator with voltage regulator, Fuse holder A

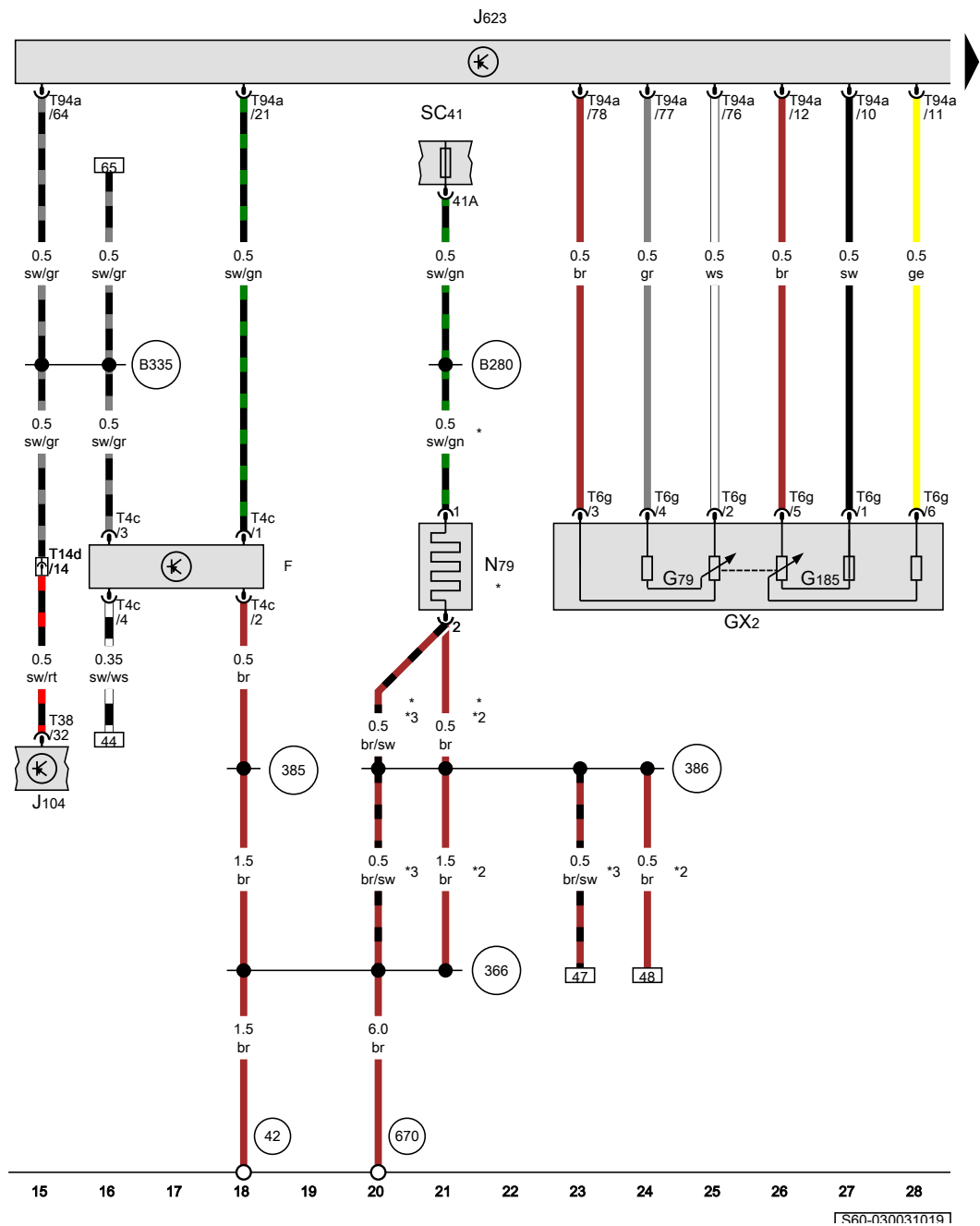
- A Battery
- B Starter
- CX1 Alternator with voltage regulator
- SA Fuse holder A
- SA1 Fuse 1 on fuse holder A
- SA4 Fuse 4 on fuse holder A
- SA5 Fuse 5 on fuse holder A
- T2y 2-pin connector, black, front left in engine compartment
- T5aa 5-pin connector, black, near battery
- T14c 14-pin connector, grey, near battery

- 12 Earth point, on left in engine compartment
- 13 Earth point, on right in engine compartment
- 652 Earth point, engine and gearbox earth
- B334 Positive connection 20 (30a) in main wiring harness
- * For models with low fan output
- *2 For models with increased fan output



- ws = white
- sw = black
- ro = red
- rt = red
- br = brown
- gn = green
- bl = blue
- gr = grey
- li = purple
- vi = purple
- ge = yellow
- or = orange
- rs = pink

[S60-030021019]

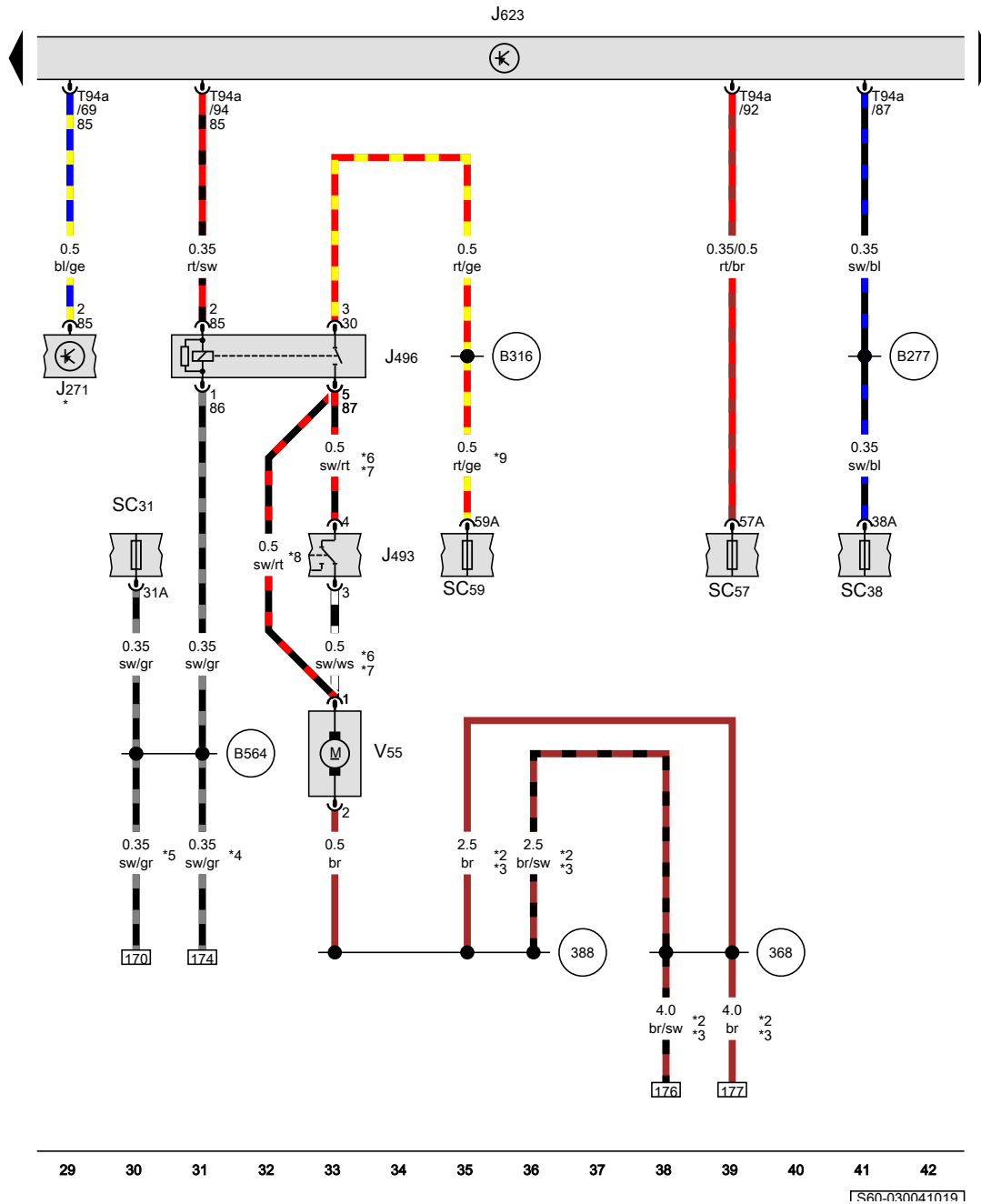


Brake light switch, Accelerator pedal module, Accelerator position sender, Accelerator position sender 2, ABS control unit, Engine/motor control unit, Heater element for crankcase breather, Fuse 41 on fuse holder C

- F Brake light switch
 - GX2 Accelerator pedal module
 - G79 Accelerator position sender
 - G185 Accelerator position sender 2
 - J104 ABS control unit
 - J623 Engine/motor control unit
 - N79 Heater element for crankcase breather
 - SC41 Fuse 41 on fuse holder C
 - T4c 4-pin connector, black
 - T6g 6-pin connector, black
 - T14d 14-pin connector, black, near battery
 - T38 38-pin connector, black
 - T94a 94-pin connector, black
- 42 Earth point, next to steering column
 - 366 Earth connection 1, in main wiring harness
 - 385 Earth connection 20, in main wiring harness
 - 386 Earth connection 21, in main wiring harness
 - 670 Earth point 2, left A-pillar
 - B280 Positive connection 4 (15a) in main wiring harness
 - B335 Connection 1 (54), in main wiring harness
- * For models with crankcase breather heater element
 - *2 Up to February 2017
 - *3 From February 2017

- ws = white
- sw = black
- ro = red
- rt = red
- br = brown
- gn = green
- bl = blue
- gr = grey
- li = purple
- vi = purple
- ge = yellow
- or = orange
- rs = pink

1560-030031019



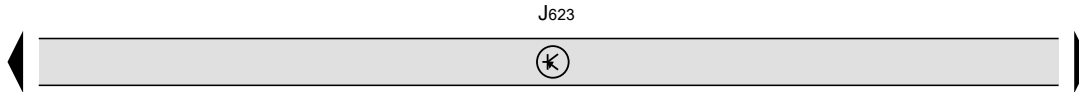
Main relay, Auxiliary coolant heater relay, Additional coolant pump relay, Engine/motor control unit, Fuse 31 on fuse holder C, Fuse 38 on fuse holder C, Fuse 57 on fuse holder C, Fuse 59 on fuse holder C, Circulation pump

- J271 Main relay, on relay carrier
- J493 Auxiliary coolant heater relay, on relay carrier
- J496 Additional coolant pump relay, on relay carrier
- J623 Engine/motor control unit
- SC31 Fuse 31 on fuse holder C
- SC38 Fuse 38 on fuse holder C
- SC57 Fuse 57 on fuse holder C
- SC59 Fuse 59 on fuse holder C
- T94a 94-pin connector, black
- V55 Circulation pump

- 368 Earth connection 3, in main wiring harness
- 388 Earth connection 23, in main wiring harness
- B277 Positive connection 1 (15a) in main wiring harness
- B316 Positive connection 2 (30a) in main wiring harness
- B564 Connection 31, in main wiring harness

- * see applicable current flow diagram for fuse assignment
- *2 Wiring colour depends on equipment
- *3 see applicable current flow diagram for earthing concept
- *4 For models with low fan output
- *5 For models with increased fan output
- *6 For models with Climatronic
- *7 For models with Climatic
- *8 For models with no air conditioning system
- *9 Cross-section 1.5 possible

- ws = white
- sw = black
- ro = red
- rt = red
- br = brown
- gn = green
- bl = blue
- gr = grey
- li = purple
- vi = purple
- ge = yellow
- or = orange
- rs = pink



Ignition/starter switch, Starter motor relay, Onboard supply control unit, Engine/motor control unit, Fuse 9 on fuse holder C, Fuse 18 on fuse holder C, Fuse 20 on fuse holder C, Diagnostic connection

- D Ignition/starter switch
- J53 Starter motor relay
- J519 Onboard supply control unit
- J623 Engine/motor control unit
- SC9 Fuse 9 on fuse holder C
- SC18 Fuse 18 on fuse holder C
- SC20 Fuse 20 on fuse holder C
- T16 16-pin connector, black
- T73b 73-pin connector, colourless
- U31 Diagnostic connection

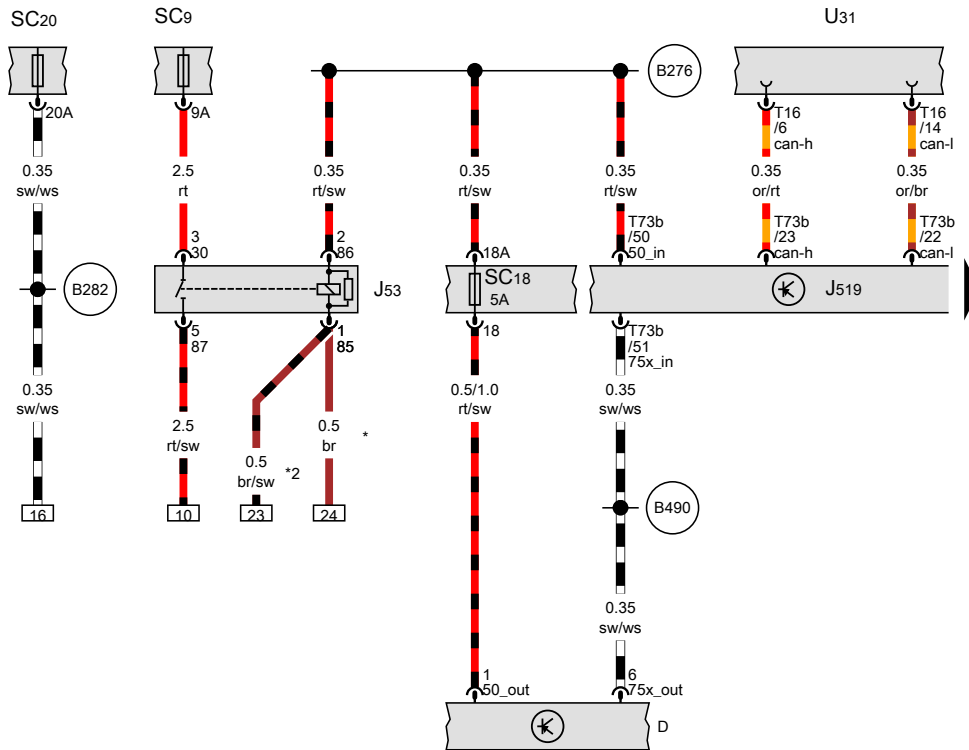
B276 Positive connection (50), in main wiring harness

B282 Positive connection 6 (15a) in main wiring harness

B490 Connection 26, in main wiring harness

* Up to February 2017

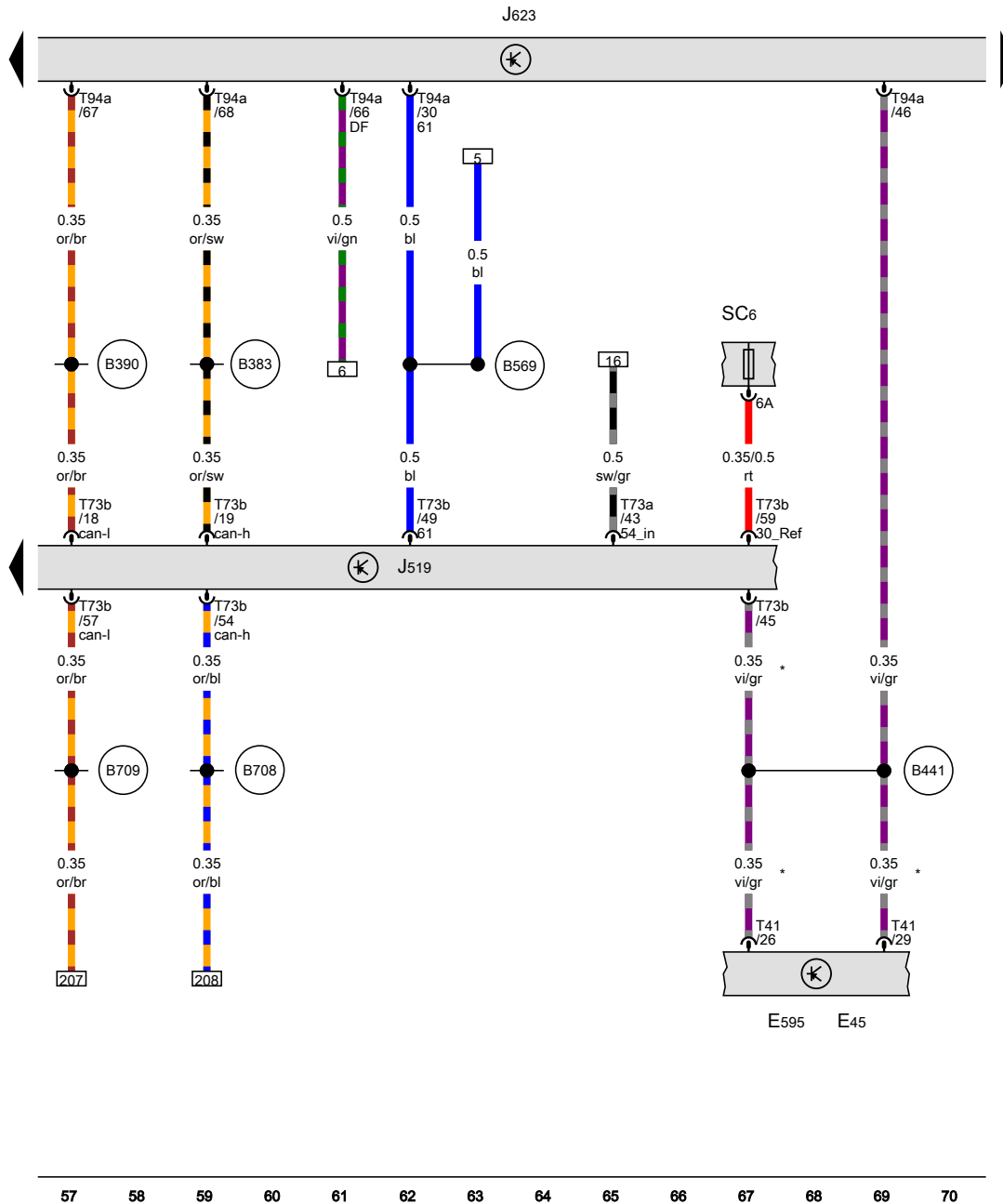
*2 From February 2017



- ws = white
- sw = black
- ro = red
- rt = red
- br = brown
- gn = green
- bl = blue
- gr = grey
- li = purple
- vi = purple
- ge = yellow
- or = orange
- rs = pink

43 44 45 46 47 48 49 50 51 52 53 54 55 56

[S60-030051019]

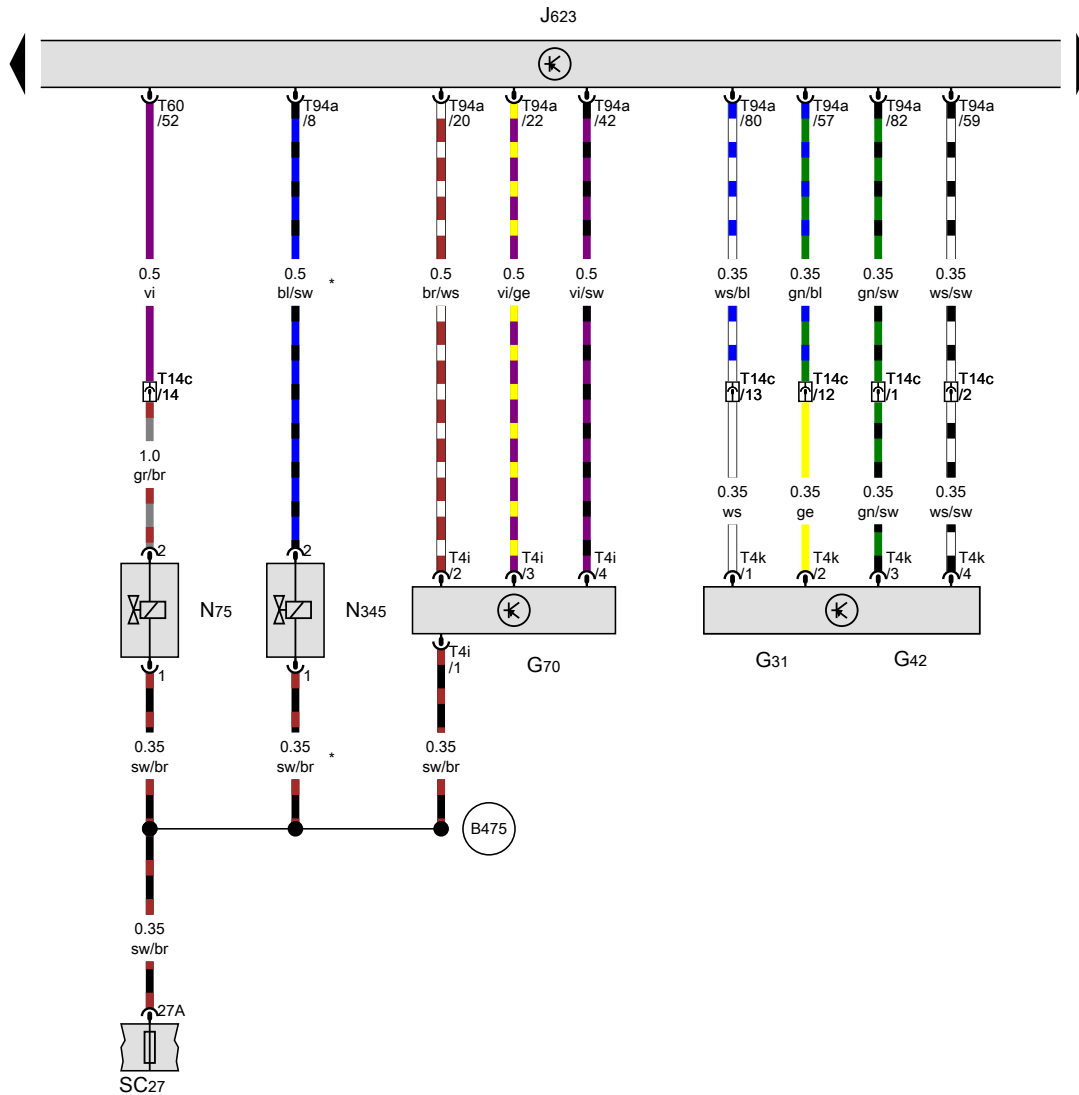


Cruise control system switch, Steering column combination switch, Onboard supply control unit, Engine/motor control unit, Fuse 6 on fuse holder C

- E45 Cruise control system switch
 - E595 Steering column combination switch
 - J519 Onboard supply control unit
 - J623 Engine/motor control unit
 - SC6 Fuse 6 on fuse holder C
 - T41 41-pin connector, grey
 - T73a 73-pin connector, black
 - T73b 73-pin connector, colourless
 - T94a 94-pin connector, black
- B383** Connection 1 (powertrain CAN bus, high), in main wiring harness
 - B390** Connection 1 (powertrain CAN bus, low), in main wiring harness
 - B441** Connection (CCS), in main wiring harness
 - B569** Connection 36, in main wiring harness
 - B708** Connection 1 (dash panel insert CAN bus high) in main wiring harness
 - B709** Connection 1 (dash panel insert CAN bus low) in main wiring harness
- * For models with cruise control system (CCS)

- ws = white
- sw = black
- ro = red
- rt = red
- br = brown
- gn = green
- bl = blue
- gr = grey
- li = purple
- vi = purple
- ge = yellow
- or = orange
- rs = pink

[S60-030061019]



Charge pressure sender, Intake air temperature sender, Air mass meter, Engine/motor control unit, Charge pressure control solenoid valve, Exhaust gas recirculation cooler changeover valve, Fuse 27 on fuse holder C

- G31 Charge pressure sender
- G42 Intake air temperature sender
- G70 Air mass meter
- J623 Engine/motor control unit
- N75 Charge pressure control solenoid valve
- N345 Exhaust gas recirculation cooler changeover valve
- SC27 Fuse 27 on fuse holder C
- T4i 4-pin connector, black, black
- T4k 4-pin connector, black
- T14c 14-pin connector, grey, near battery
- T60 60-pin connector, black
- T94a 94-pin connector, black

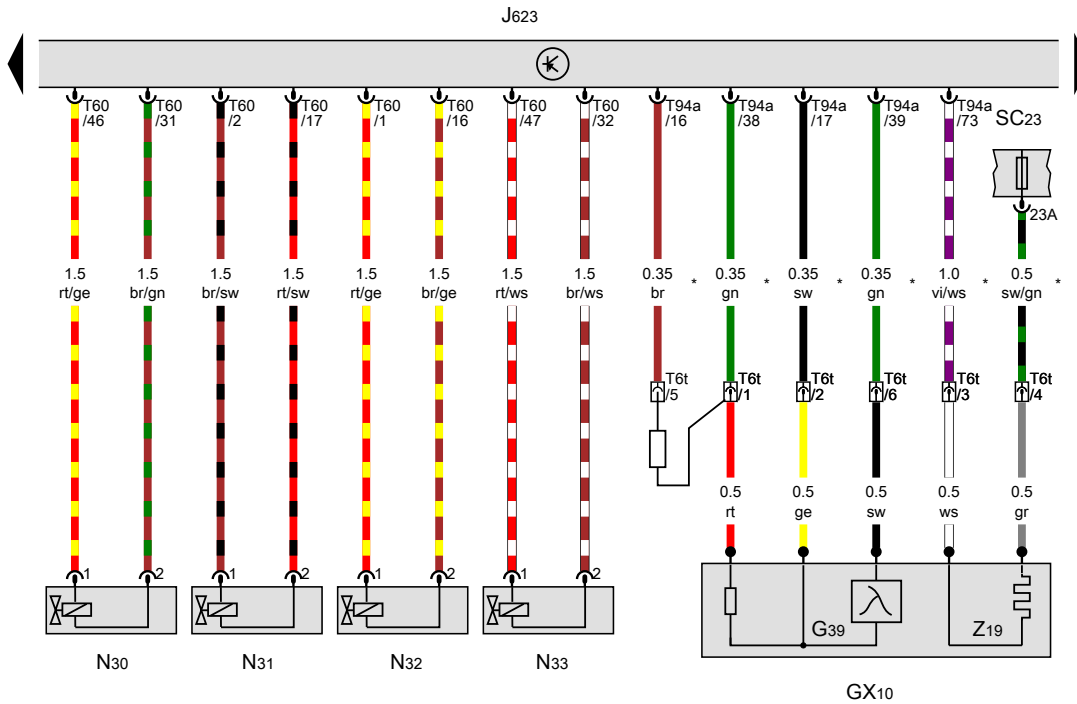
B475 Connection 11, in main wiring harness

* For models with Euro 5 emission standard

- ws = white
- sw = black
- ro = red
- rt = red
- br = brown
- gn = green
- bl = blue
- gr = grey
- li = purple
- vi = purple
- ge = yellow
- or = orange
- rs = pink

85 86 87 88 89 90 91 92 93 94 95 96 97 98

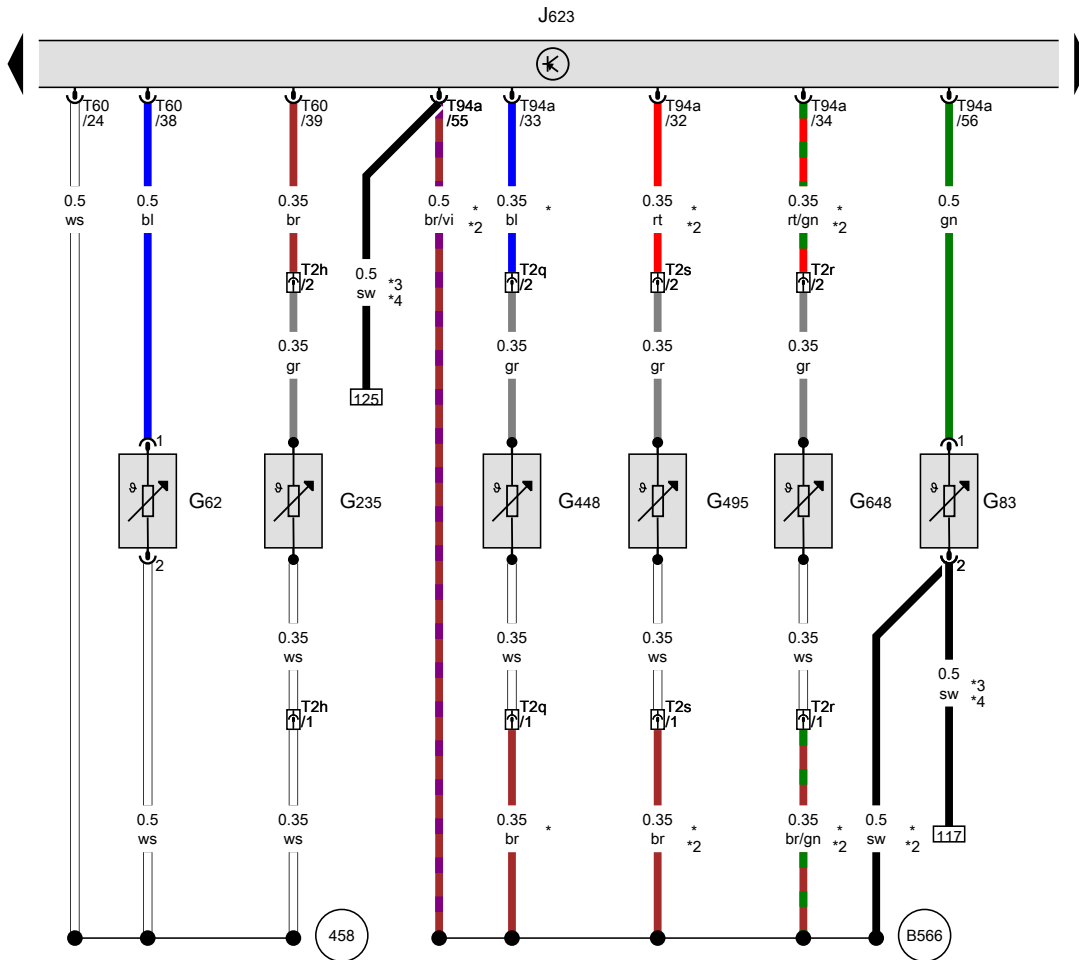
1S60-0300810191



Lambda probe 1 before catalytic converter, Engine/motor control unit, Injector, cylinder 1, Injector, cylinder 2, Injector, cylinder 3, Injector, cylinder 4, Fuse 23 on fuse holder C

- GX10 Lambda probe 1 before catalytic converter
- G39 Lambda probe
- J623 Engine/motor control unit
- N30 Injector, cylinder 1
- N31 Injector, cylinder 2
- N32 Injector, cylinder 3
- N33 Injector, cylinder 4
- SC23 Fuse 23 on fuse holder C
- T6t 6-pin connector, black, front right in engine compartment
- T60 60-pin connector, black
- T94a 94-pin connector, black
- Z19 Lambda probe heater
- * For models with Euro 5 emission standard

- ws = white
- sw = black
- ro = red
- rt = red
- br = brown
- gn = green
- bl = blue
- gr = grey
- li = purple
- vi = purple
- ge = yellow
- or = orange
- rs = pink



Coolant temperature sender, Radiator outlet coolant temperature sender, Exhaust gas temperature sender 1, Exhaust gas temperature sender 2, Exhaust gas temperature sender 3, Exhaust gas temperature sender 4, Engine/motor control unit

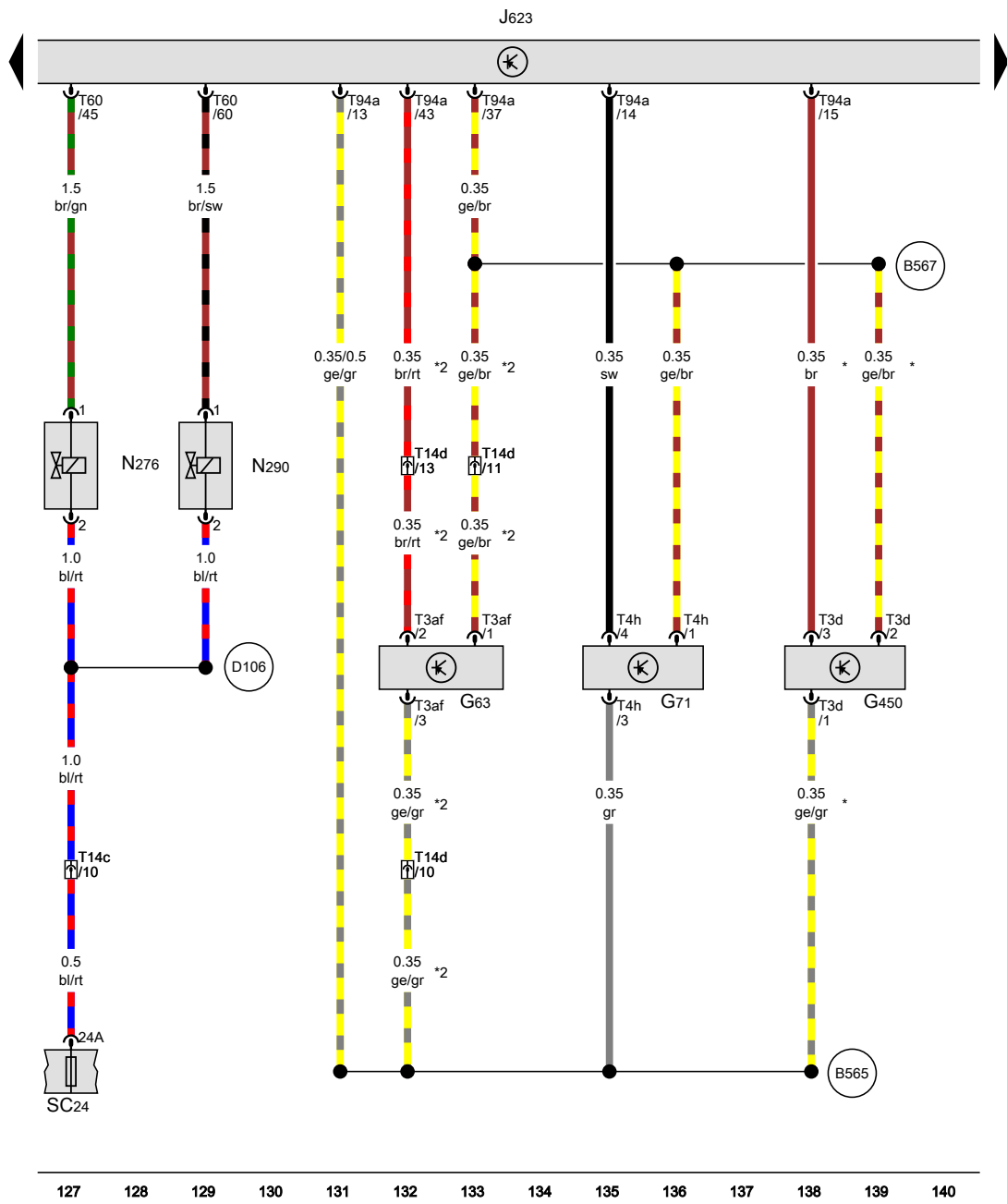
- G62 Coolant temperature sender
- G83 Radiator outlet coolant temperature sender
- G235 Exhaust gas temperature sender 1
- G448 Exhaust gas temperature sender 2
- G495 Exhaust gas temperature sender 3
- G648 Exhaust gas temperature sender 4
- J623 Engine/motor control unit
- T2h 2-pin connector, black, near exhaust gas recirculation
- T2q 2-pin connector, black, near right headlight
- T2r 2-pin connector, light brown, near right headlight
- T2s 2-pin connector, brown, near right headlight
- T60 60-pin connector, black
- T94a 94-pin connector, black

458 Earth point 3, engine prewiring harness

B566 Connection 33, in main wiring harness

- * For emission standard PL 6 BR
- *2 For models with Euro 5 plus emission standard
- *3 For models with Euro 3 emission standard
- *4 For models with Euro 4 emission standard

- ws = white
- sw = black
- ro = red
- rt = red
- br = brown
- gn = green
- bl = blue
- gr = grey
- li = purple
- vi = purple
- ge = yellow
- or = orange
- rs = pink



Water separator sender, Intake manifold pressure sender, Exhaust gas pressure sensor 1, Engine/motor control unit, Fuel pressure regulating valve, Fuel metering valve, Fuse 24 on fuse holder C

- G63 Water separator sender
- G71 Intake manifold pressure sender
- G450 Exhaust gas pressure sensor 1
- J623 Engine/motor control unit
- N276 Fuel pressure regulating valve
- N290 Fuel metering valve
- SC24 Fuse 24 on fuse holder C
- T3af 3-pin connector, brown, near fuel filter
- T3d 3-pin connector, black
- T4h 4-pin connector, black
- T14c 14-pin connector, grey, near battery
- T14d 14-pin connector, grey, near battery
- T60 60-pin connector, black
- T94a 94-pin connector, black

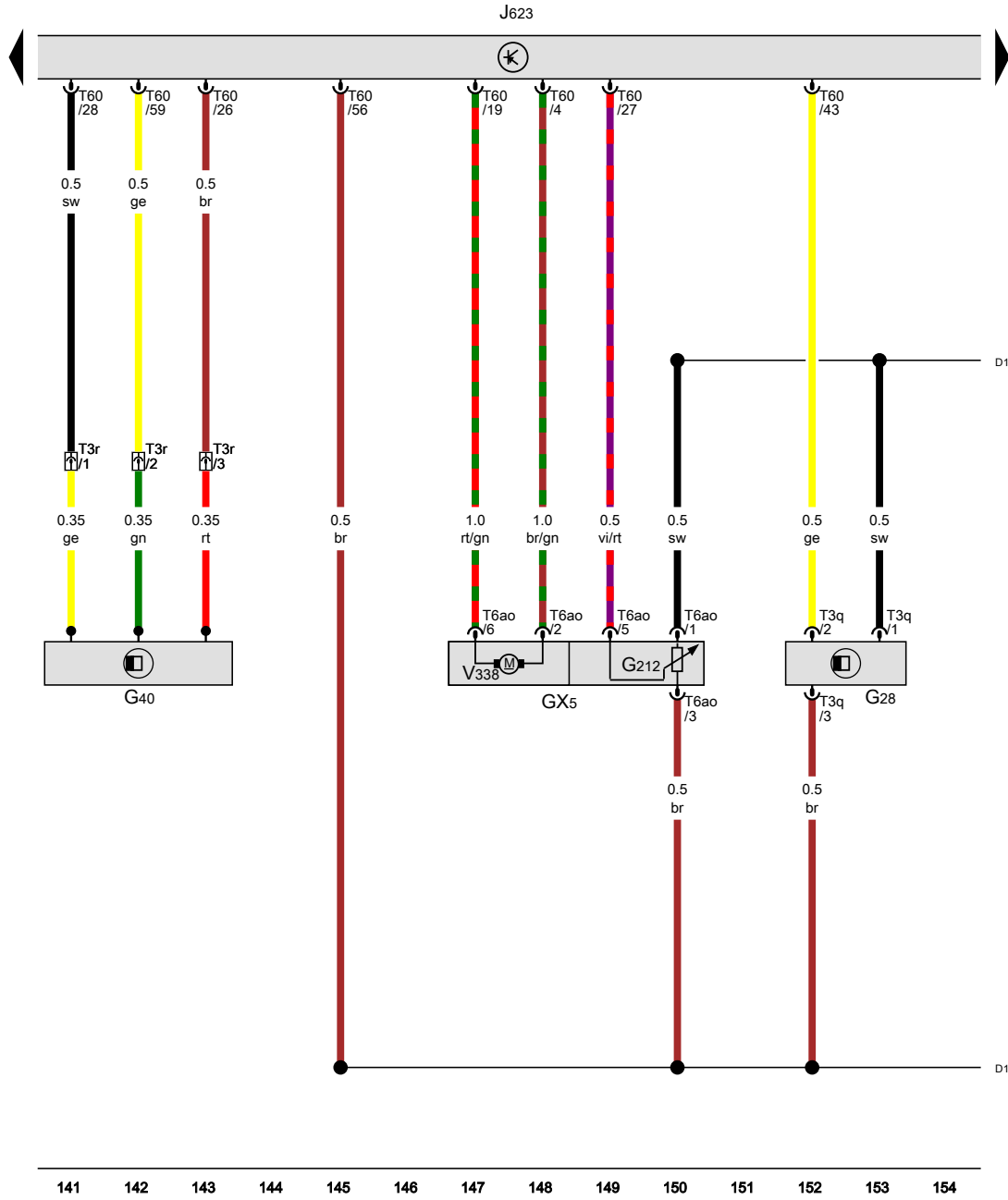
- B565 Connection 32, in main wiring harness
- B567 Connection 34, in main wiring harness
- D106 Connection 4 in engine compartment wiring harness

- * For models with Euro 5 emission standard
- *2 Country specific

- ws = white
- sw = black
- ro = red
- rt = red
- br = brown
- gn = green
- bl = blue
- gr = grey
- li = purple
- vi = purple
- ge = yellow
- or = orange
- rs = pink

127 128 129 130 131 132 133 134 135 136 137 138 139 140

TS60-030111019



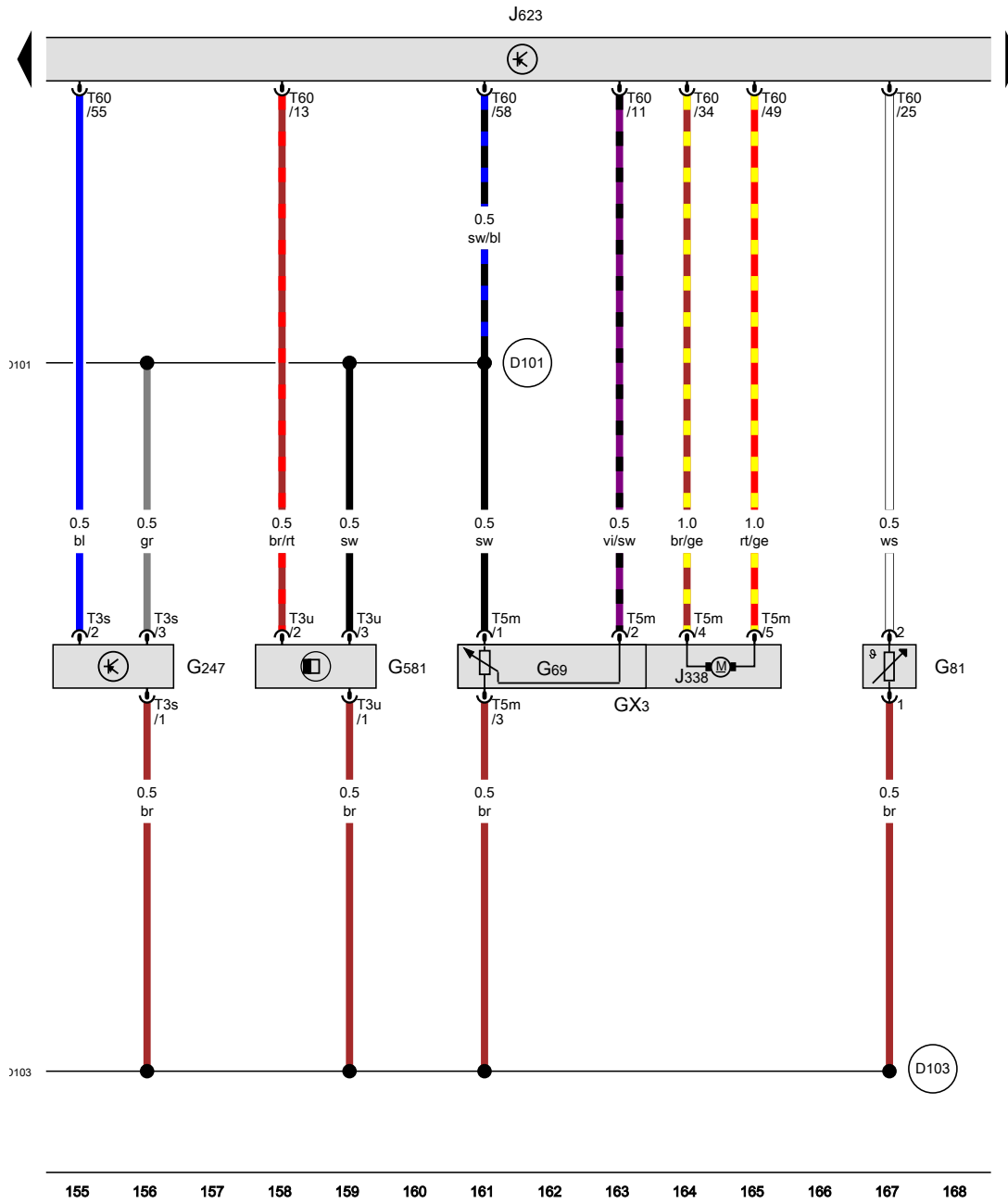
Exhaust gas recirculation valve 1, Engine speed sender, Hall sender, Engine/motor control unit

- GX5 Exhaust gas recirculation valve 1
- G28 Engine speed sender
- G40 Hall sender
- G212 Exhaust gas recirculation potentiometer
- J623 Engine/motor control unit
- T3q 3-pin connector, black
- T3r 3-pin connector, black, on front of engine
- T6ao 6-pin connector, grey
- T60 60-pin connector, black
- V338 Exhaust gas recirculation control motor

- D101 Connection 1 in engine compartment wiring harness
- D103 Connection 3 in engine compartment wiring harness

141 142 143 144 145 146 147 148 149 150 151 152 153 154

[S60-030121019]



Throttle valve module, Fuel temperature sender, Fuel pressure sender, Position sender for charge pressure positioner, Engine/motor control unit

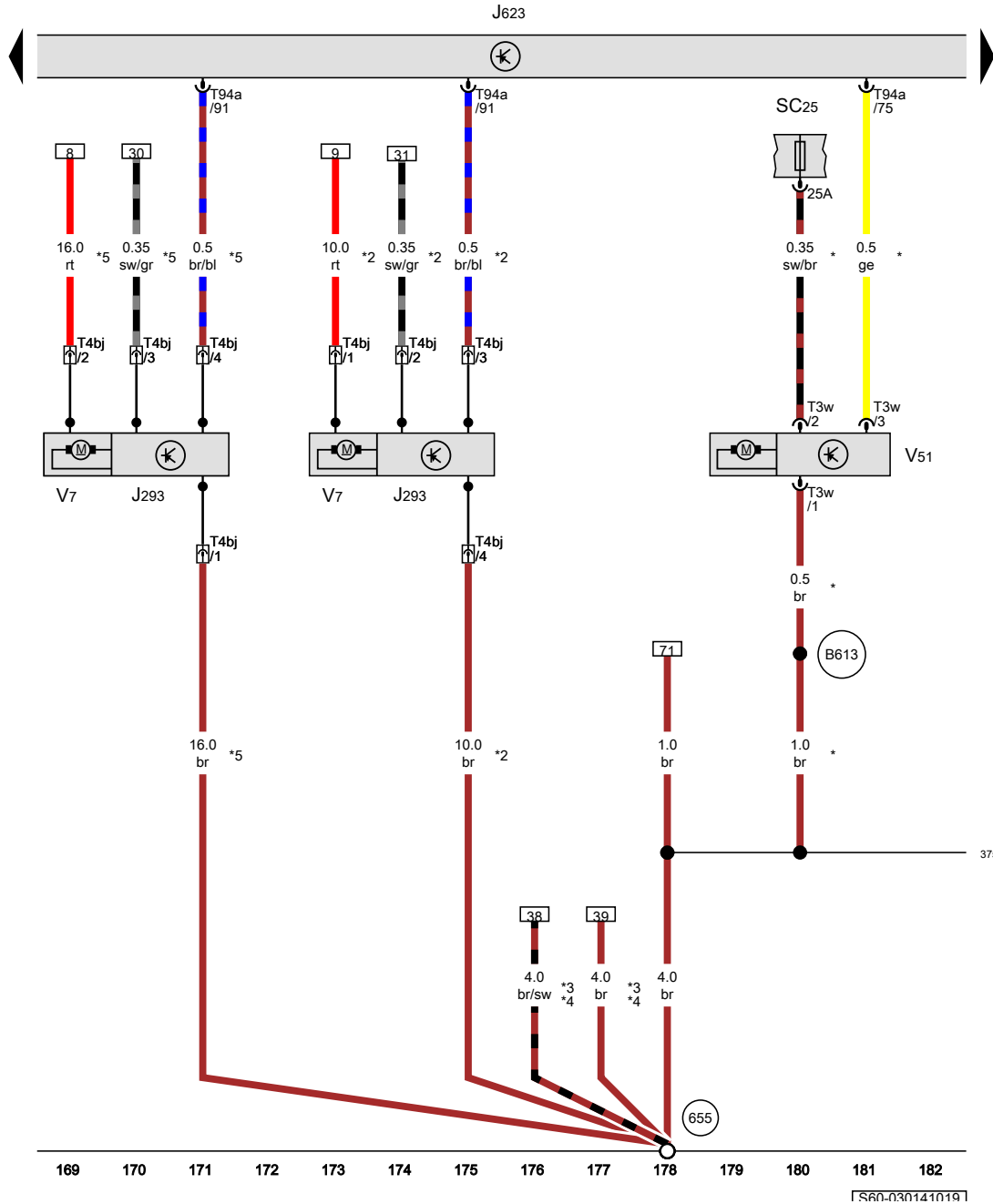
- GX3 Throttle valve module
- G69 Throttle valve potentiometer
- G81 Fuel temperature sender
- G247 Fuel pressure sender
- G581 Position sender for charge pressure positioner
- J338 Throttle valve module
- J623 Engine/motor control unit
- T3s 3-pin connector, black
- T3u 3-pin connector, black
- T5m 5-pin connector, black
- T60 60-pin connector, black

- D101 Connection 1 in engine compartment wiring harness
- D103 Connection 3 in engine compartment wiring harness

- ws = white
- sw = black
- ro = red
- rt = red
- br = brown
- gn = green
- bl = blue
- gr = grey
- li = purple
- vi = purple
- ge = yellow
- or = orange
- rs = pink

[S60-030131019]

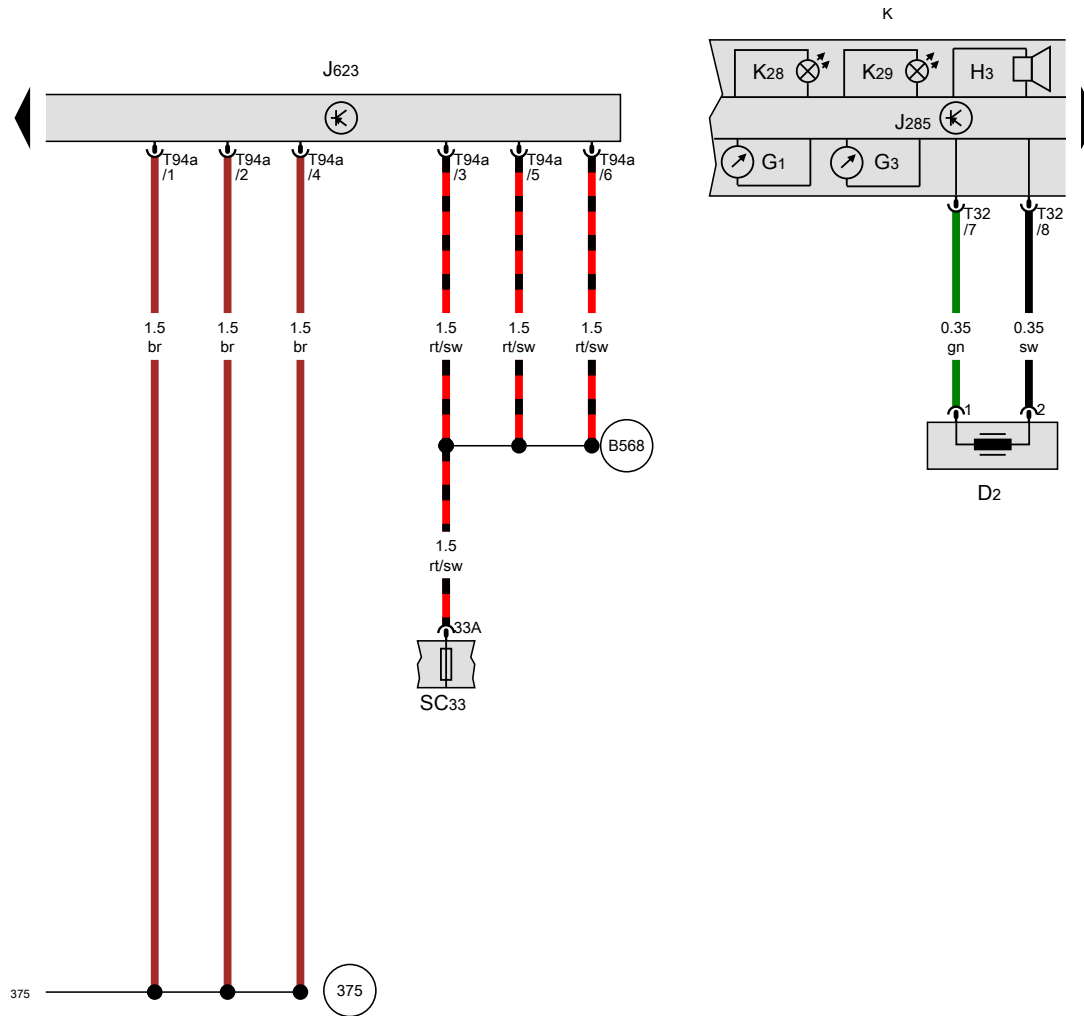
Radiator fan control unit, Engine/motor control unit, Fuse 25 on fuse holder C, Radiator fan, Continued coolant circulation pump



- J293 Radiator fan control unit
- J623 Engine/motor control unit
- SC25 Fuse 25 on fuse holder C
- T3w 3-pin connector, black
- T4bj 4-pin connector, black, on radiator cowling
- T94a 94-pin connector, black
- V7 Radiator fan
- V51 Continued coolant circulation pump
- (375) Earth connection 10, in main wiring harness
- (655) Earth point, on left headlight
- (B613) Connection 41, in main wiring harness
- * For models with Euro 5 emission standard
- *2 For models with low fan output
- *3 Wiring colour depends on equipment
- *4 see applicable current flow diagram for earthing concept
- *5 For models with increased fan output

- ws = white
- sw = black
- ro = red
- rt = red
- br = brown
- gn = green
- bl = blue
- gr = grey
- li = purple
- vi = purple
- ge = yellow
- or = orange
- rs = pink

[S60-030141019]



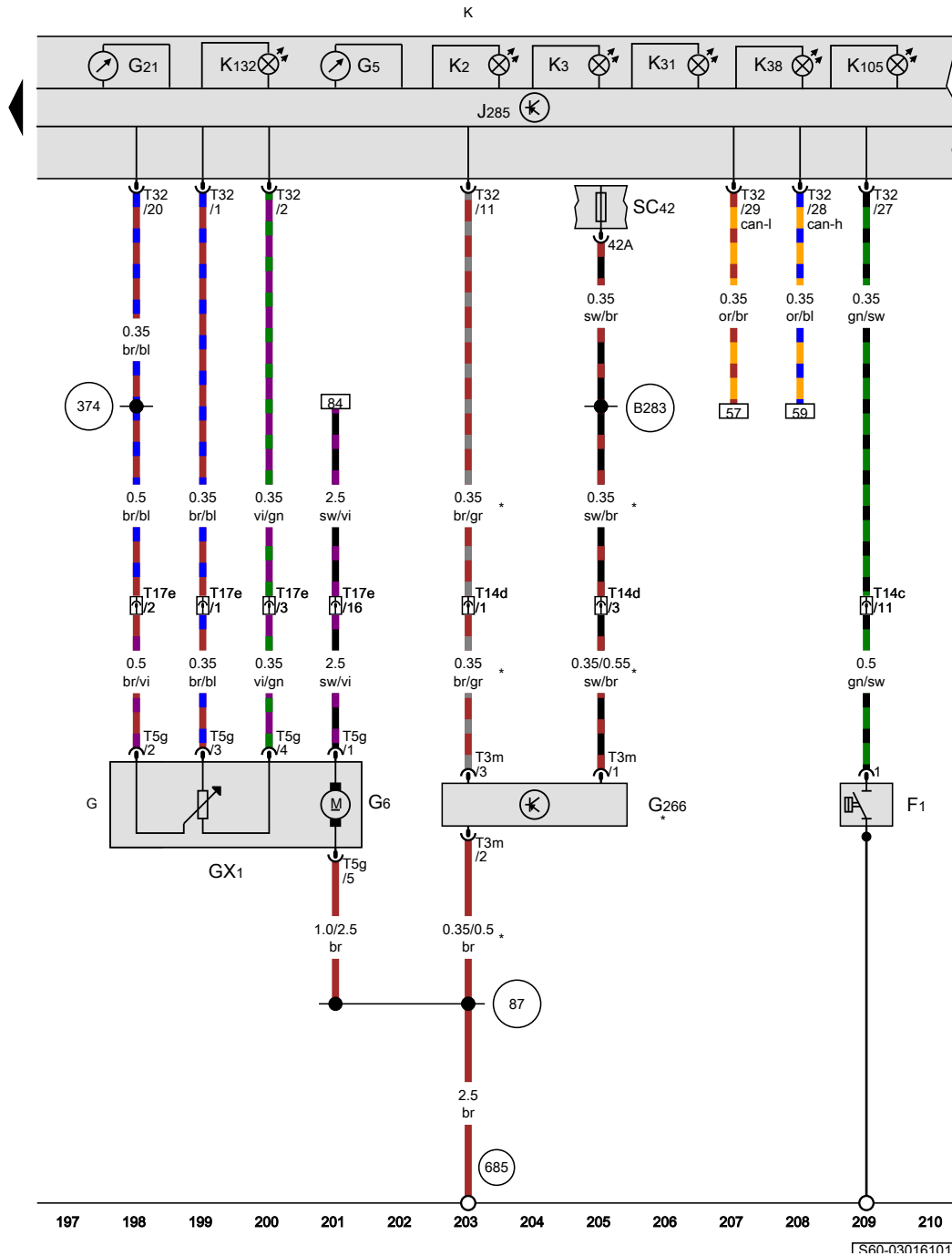
Engine/motor control unit, Dash panel insert, Fuse 33 on fuse holder C

- D2 Immobiliser reader coil
- G1 Fuel gauge
- G3 Coolant temperature gauge
- H3 Buzzer and gong
- J285 Control unit in dash panel insert
- J623 Engine/motor control unit
- K Dash panel insert
- K28 Coolant temperature and coolant shortage warning lamp
- K29 Glow period warning lamp
- SC33 Fuse 33 on fuse holder C
- T32 32-pin connector, blue
- T94a 94-pin connector, black

375 Earth connection 10, in main wiring harness

B568 Connection 35, in main wiring harness

- ws = white
- sw = black
- ro = red
- rt = red
- br = brown
- gn = green
- bl = blue
- gr = grey
- li = purple
- vi = purple
- ge = yellow
- or = orange
- rs = pink



Oil pressure switch, Fuel system pressurisation pump, Oil level and oil temperature sender, Dash panel insert, Fuse 42 on fuse holder C

- F1 Oil pressure switch
- G Fuel gauge sender
- GX1 Fuel delivery unit
- G5 Rev. counter
- G6 Fuel system pressurisation pump
- G21 Speedometer
- G266 Oil level and oil temperature sender
- J285 Control unit in dash panel insert
- K Dash panel insert
- K2 Alternator warning lamp
- K3 Oil pressure warning lamp
- K31 Cruise control system warning lamp
- K38 Oil level warning lamp
- K105 Reserve fuel warning lamp
- K132 Electronic power control fault lamp
- SC42 Fuse 42 on fuse holder C
- T3m 3-pin connector, black
- T5g 5-pin connector, black
- T14c 14-pin connector, grey, near battery
- T14d 14-pin connector, black, near battery
- T17e 17-pin connector, red, near handbrake lever
- T32 32-pin connector, blue

- (87) Earth connection 2, in rear wiring harness
- (374) Earth connection 9, in main wiring harness
- (685) Earth point 1, on front of right longitudinal member
- (B283) Positive connection 7 (15a) in main wiring harness
- * According to equipment

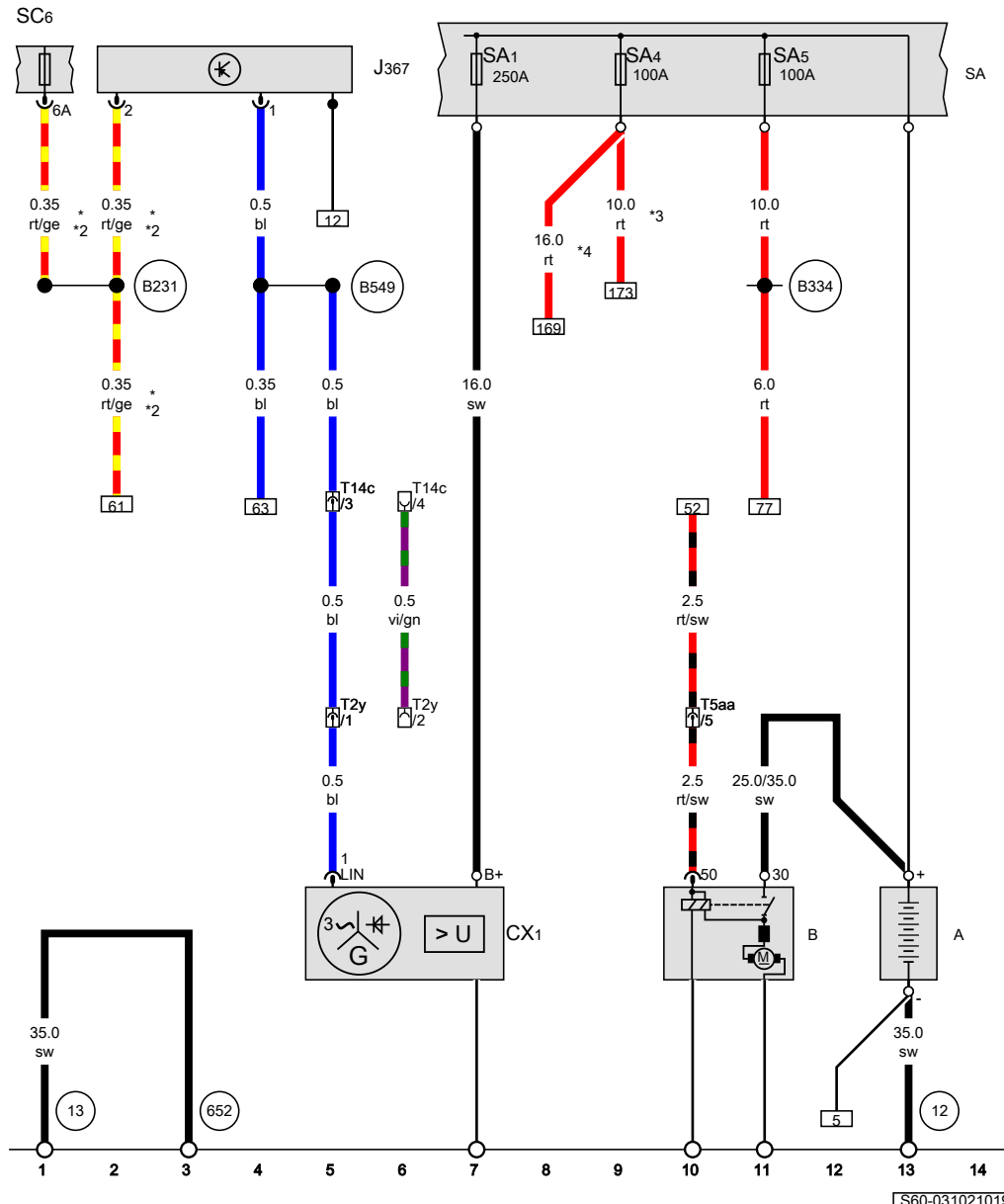
- ws = white
- sw = black
- ro = red
- rt = red
- br = brown
- gn = green
- bl = blue
- gr = grey
- li = purple
- vi = purple
- ge = yellow
- or = orange
- rs = pink

TS60-030161019

2.0l diesel engine , CNFB,(7L6)

From June 2016

Battery, Starter, Alternator with voltage regulator, Battery monitor control unit, Fuse holder A, Fuse 6 on fuse holder C

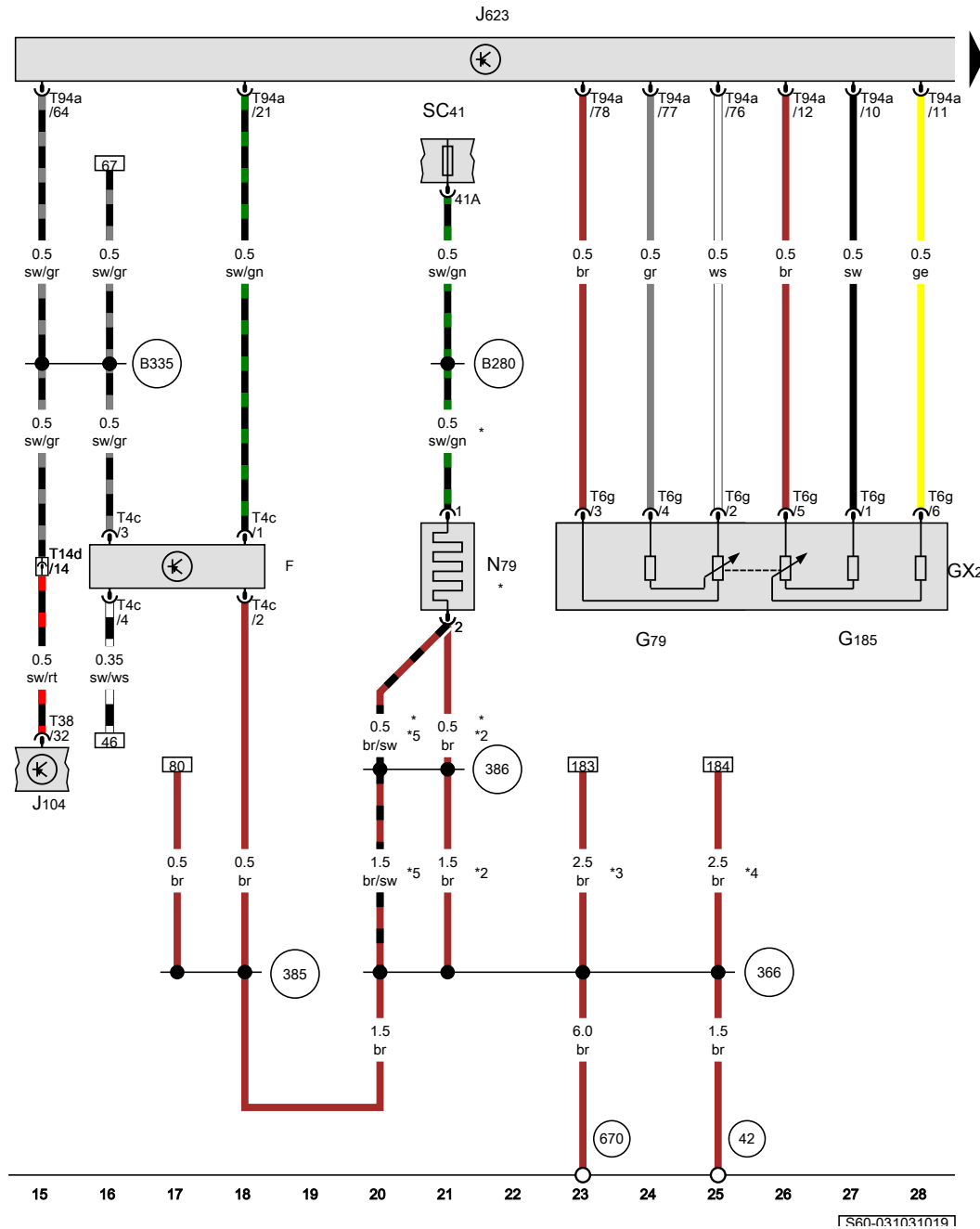


- A Battery
- B Starter
- CX1 Alternator with voltage regulator
- J367 Battery monitor control unit
- SA Fuse holder A
- SA1 Fuse 1 on fuse holder A
- SA4 Fuse 4 on fuse holder A
- SA5 Fuse 5 on fuse holder A
- SC6 Fuse 6 on fuse holder C
- T2y 2-pin connector, black, front left in engine compartment
- T5aa 5-pin connector, black, near battery
- T14c 14-pin connector, grey, near battery

- 12 Earth point, on left in engine compartment
- 13 Earth point, on right in engine compartment
- 652 Earth point, engine and gearbox earth
- B231 Positive connection 5 (30a), in interior wiring harness
- B334 Positive connection 20 (30a) in main wiring harness
- B549 Connection 2 (LIN bus) in main wiring harness
- * red
- *2 From January 2018
- *3 For models with low fan output
- *4 For models with increased fan output

- ws = white
- sw = black
- ro = red
- rt = red
- br = brown
- gn = green
- bl = blue
- gr = grey
- li = purple
- vi = purple
- ge = yellow
- or = orange
- rs = pink

[S60-031021019]



Brake light switch, Accelerator pedal module, Accelerator position sender, Accelerator position sender 2, ABS control unit, Engine/motor control unit, Heater element for crankcase breather, Fuse 41 on fuse holder C

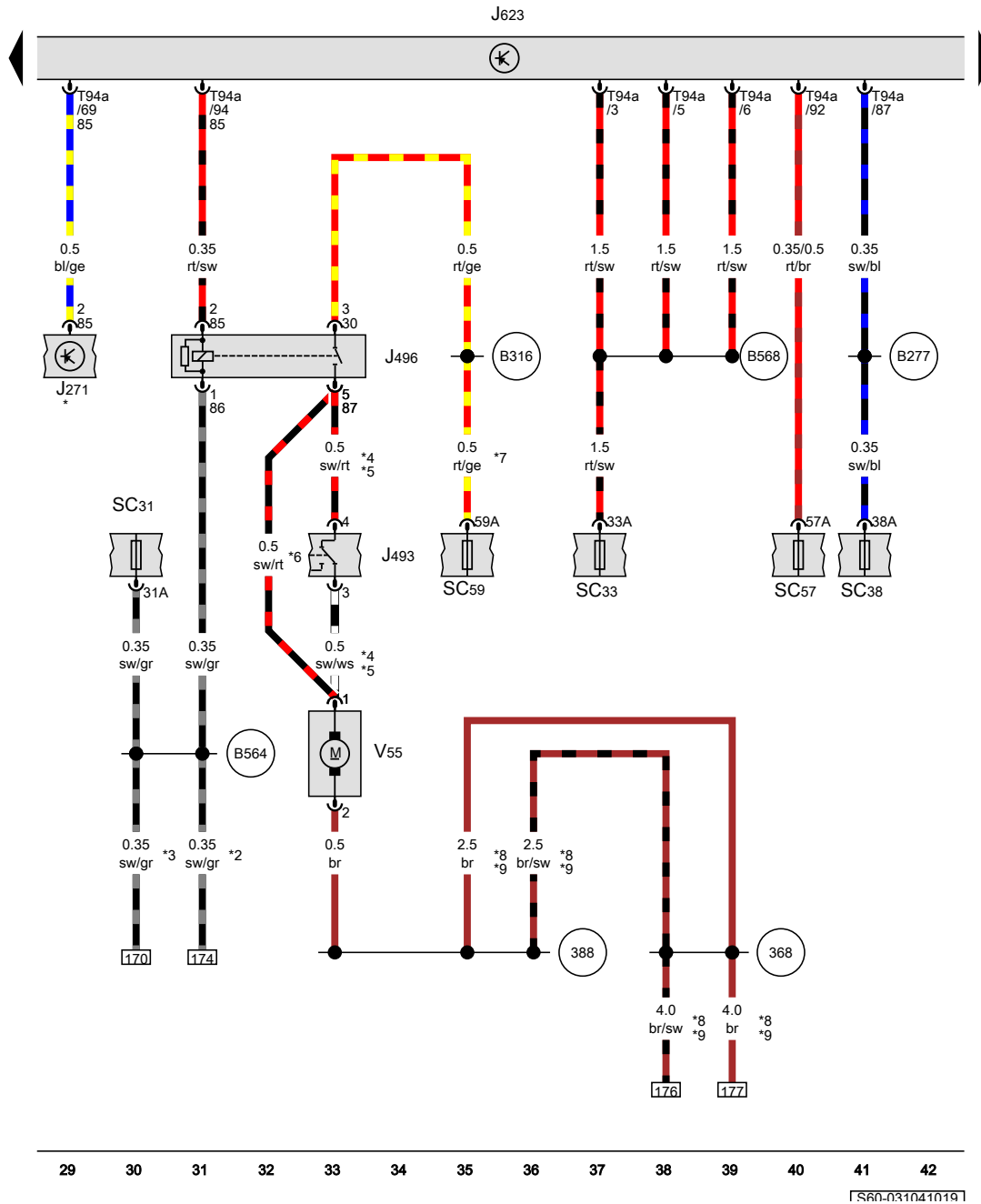
- F Brake light switch
- GX2 Accelerator pedal module
- G79 Accelerator position sender
- G185 Accelerator position sender 2
- J104 ABS control unit
- J623 Engine/motor control unit
- N79 Heater element for crankcase breather
- SC41 Fuse 41 on fuse holder C
- T4c 4-pin connector, black
- T6g 6-pin connector, black
- T14d 14-pin connector, black, near battery
- T38 38-pin connector, black
- T94a 94-pin connector, black

- (42) Earth point, next to steering column
- (366) Earth connection 1, in main wiring harness
- (385) Earth connection 20, in main wiring harness
- (386) Earth connection 21, in main wiring harness
- (670) Earth point 2, left A-pillar
- (B280) Positive connection 4 (15a) in main wiring harness
- (B335) Connection 1 (54), in main wiring harness

- * For models with crankcase breather heater element
- *2 Up to February 2017
- *3 Up to January 2018
- *4 From January 2018
- *5 From February 2017

- ws = white
- sw = black
- ro = red
- rt = red
- br = brown
- gn = green
- bl = blue
- gr = grey
- li = purple
- vi = purple
- ge = yellow
- or = orange
- rs = pink

1S60-0310310191



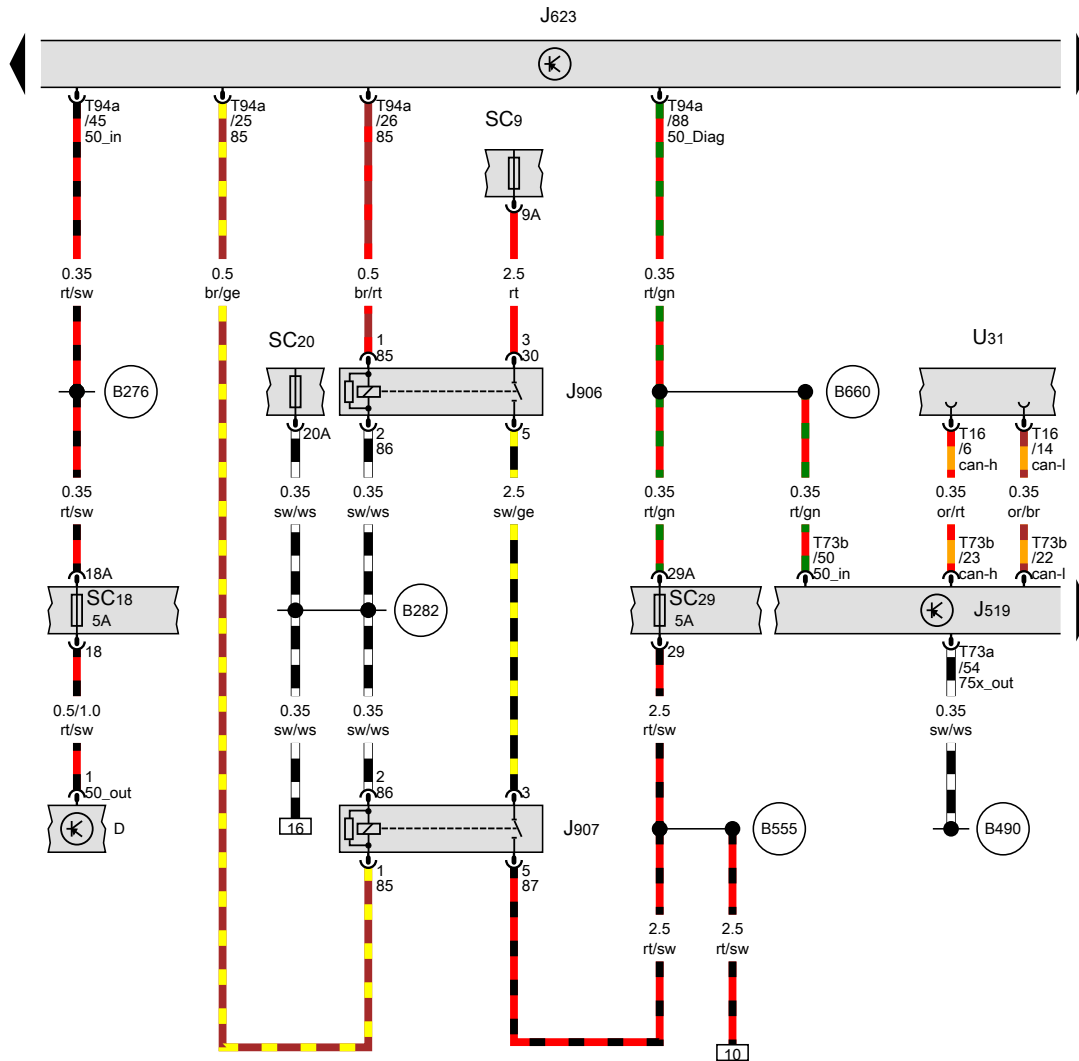
Main relay, Auxiliary coolant heater relay, Additional coolant pump relay, Engine/motor control unit, Fuse 31 on fuse holder C, Fuse 33 on fuse holder C, Fuse 38 on fuse holder C, Fuse 57 on fuse holder C, Fuse 59 on fuse holder C, Circulation pump

- J271 Main relay, on relay carrier
- J493 Auxiliary coolant heater relay, on relay carrier
- J496 Additional coolant pump relay, on relay carrier
- J623 Engine/motor control unit
- SC31 Fuse 31 on fuse holder C
- SC33 Fuse 33 on fuse holder C
- SC38 Fuse 38 on fuse holder C
- SC57 Fuse 57 on fuse holder C
- SC59 Fuse 59 on fuse holder C
- T94a 94-pin connector, black
- V55 Circulation pump

- 368 Earth connection 3, in main wiring harness
- 388 Earth connection 23, in main wiring harness
- B277 Positive connection 1 (15a) in main wiring harness
- B316 Positive connection 2 (30a) in main wiring harness
- B564 Connection 31, in main wiring harness
- B568 Connection 35, in main wiring harness

- * see applicable current flow diagram for fuse assignment
- *2 For models with low fan output
- *3 For models with increased fan output
- *4 For models with Climatronic
- *5 For models with Climatic
- *6 For models with no air conditioning system
- *7 Cross-section 1.5 possible
- *8 Wiring colour depends on equipment
- *9 see applicable current flow diagram for earthing concept

- ws = white
- sw = black
- ro = red
- rt = red
- br = brown
- gn = green
- bl = blue
- gr = grey
- li = purple
- vi = purple
- ge = yellow
- or = orange
- rs = pink



Ignition/starter switch, Onboard supply control unit, Engine/motor control unit, Starter relay 1, Starter relay 2, Fuse 9 on fuse holder C, Fuse 18 on fuse holder C, Fuse 20 on fuse holder C, Diagnostic connection

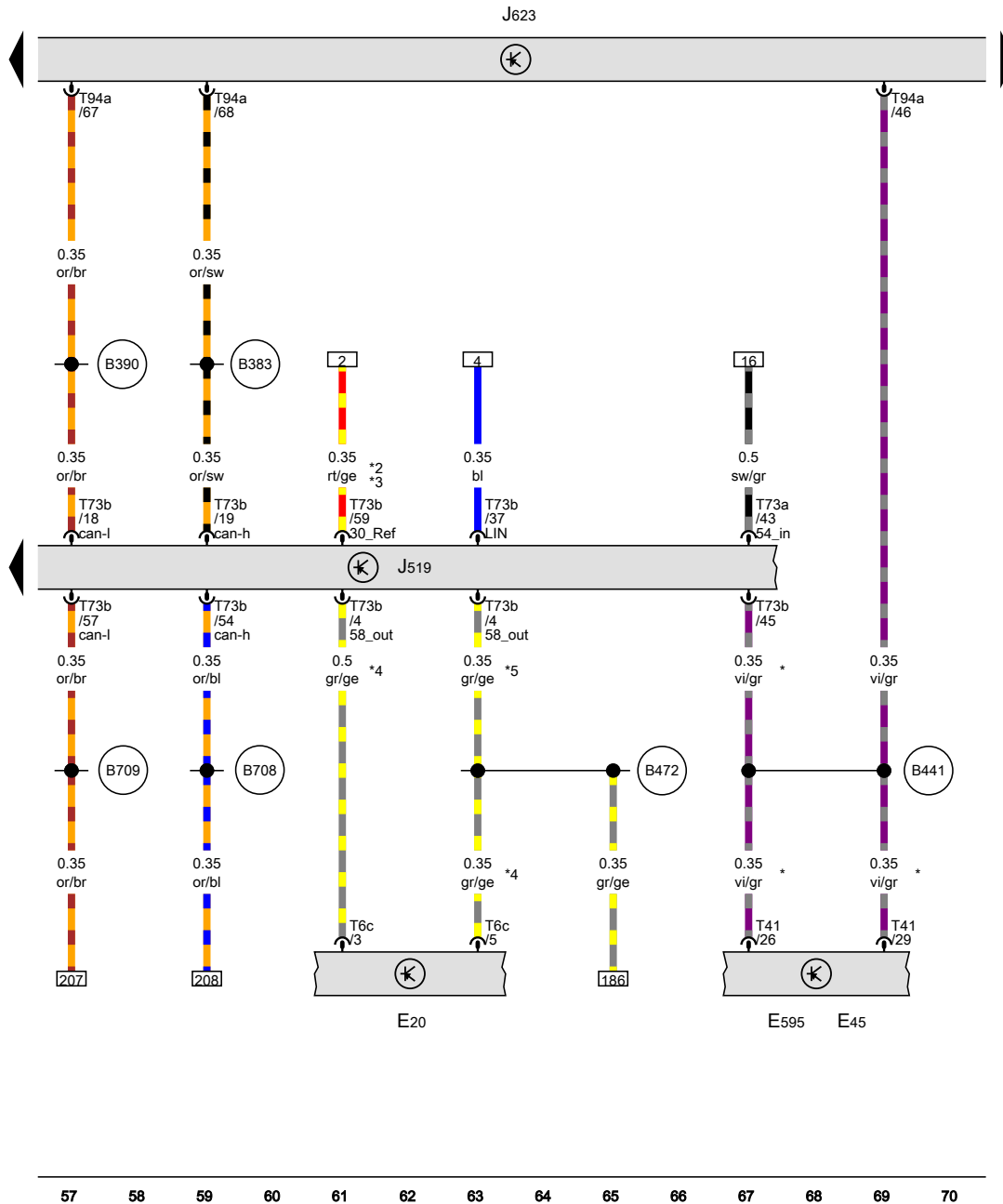
- D Ignition/starter switch
- J519 Onboard supply control unit
- J623 Engine/motor control unit
- J906 Starter relay 1
- J907 Starter relay 2
- SC9 Fuse 9 on fuse holder C
- SC18 Fuse 18 on fuse holder C
- SC20 Fuse 20 on fuse holder C
- SC29 Fuse 29 on fuse holder C
- T16 16-pin connector, black
- T73a 73-pin connector, black
- T73b 73-pin connector, colourless
- T94a 94-pin connector, black
- U31 Diagnostic connection

- (B276) Positive connection (50), in main wiring harness
- (B282) Positive connection 6 (15a) in main wiring harness
- (B490) Connection 26, in main wiring harness
- (B555) Positive connection 2 (50), in main wiring harness
- (B660) Connection (diagnosis terminal 50), in main wiring harness

- ws = white
- sw = black
- ro = red
- rt = red
- br = brown
- gn = green
- bl = blue
- gr = grey
- li = purple
- vi = purple
- ge = yellow
- or = orange
- rs = pink

43 44 45 46 47 48 49 50 51 52 53 54 55 56

[S60-031051019]



Switch and instrument illumination regulator, Cruise control system switch, Steering column combination switch, Onboard supply control unit, Engine/motor control unit

- E20 Switch and instrument illumination regulator
- E45 Cruise control system switch
- E595 Steering column combination switch
- J519 Onboard supply control unit
- J623 Engine/motor control unit
- T6c 6-pin connector, black
- T41 41-pin connector, grey
- T73a 73-pin connector, black
- T73b 73-pin connector, colourless
- T94a 94-pin connector, black

B383 Connection 1 (powertrain CAN bus, high), in main wiring harness

B390 Connection 1 (powertrain CAN bus, low), in main wiring harness

B441 Connection (CCS), in main wiring harness

B472 Connection 8, in main wiring harness

B708 Connection 1 (dash panel insert CAN bus high) in main wiring harness

B709 Connection 1 (dash panel insert CAN bus low) in main wiring harness

* For models with cruise control system (CCS)

*2 red

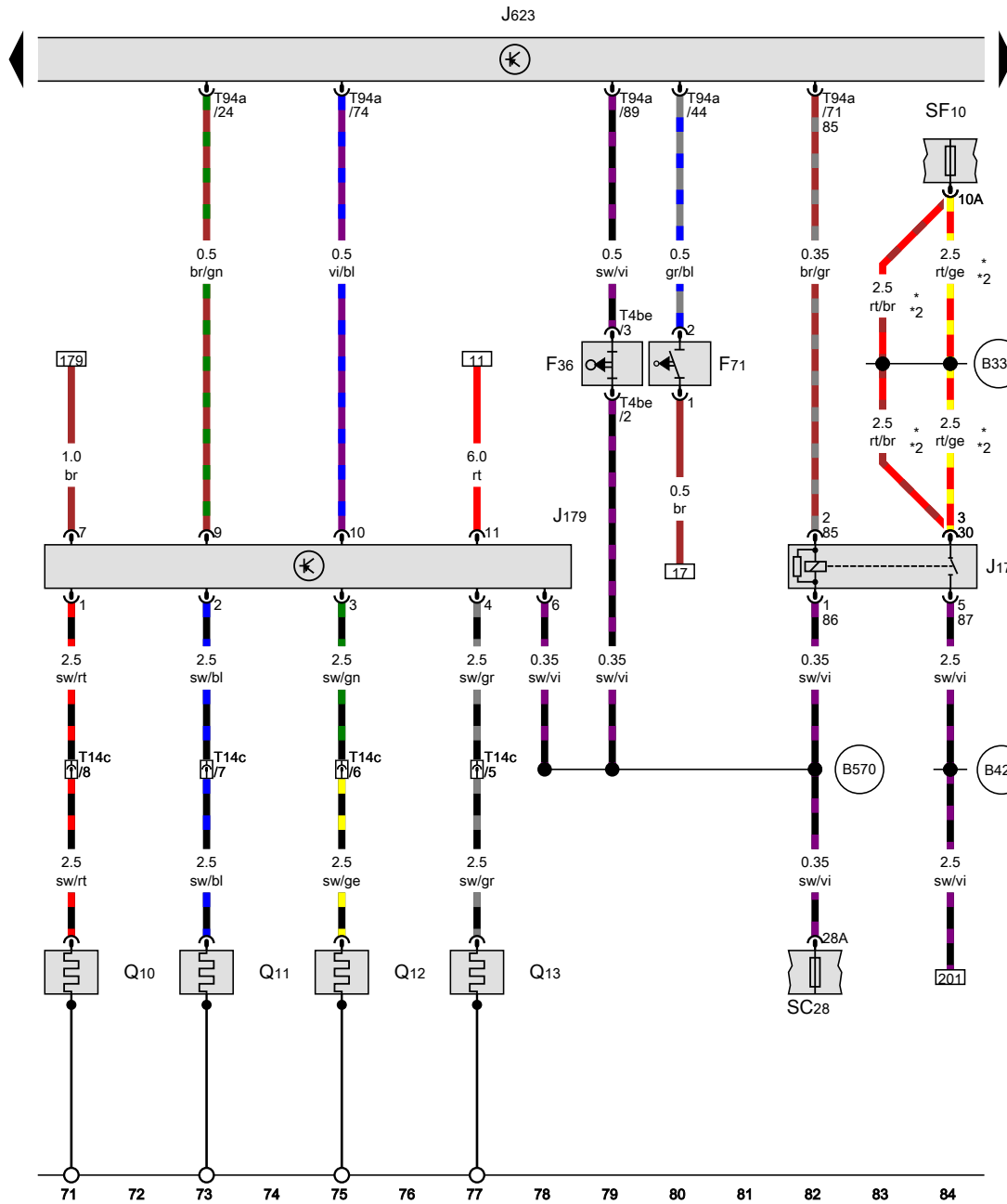
*3 From January 2018

*4 For models with dimmable instrument illumination

*5 For models with no dimmable instrument illumination

- ws = white
- sw = black
- ro = red
- rt = red
- br = brown
- gn = green
- bl = blue
- gr = grey
- li = purple
- vi = purple
- ge = yellow
- or = orange
- rs = pink

1S60-0310610191



Clutch pedal switch, Clutch pedal switch for stop/start system, Fuel pump relay, Automatic glow period control unit, Engine/motor control unit, Glow plug 1, Glow plug 2, Glow plug 3, Glow plug 4, Fuse 10 in fuse holder F, Fuse 28 on fuse holder C

- F36 Clutch pedal switch
- F71 Clutch pedal switch for stop/start system
- J17 Fuel pump relay
- J179 Automatic glow period control unit
- J623 Engine/motor control unit
- Q10 Glow plug 1
- Q11 Glow plug 2
- Q12 Glow plug 3
- Q13 Glow plug 4
- SF10 Fuse 10 in fuse holder F
- SC28 Fuse 28 on fuse holder C
- T4be 4-pin connector, black
- T14c 14-pin connector, grey, near battery
- T94a 94-pin connector, black

B332 Positive connection 18 (30a) in main wiring harness

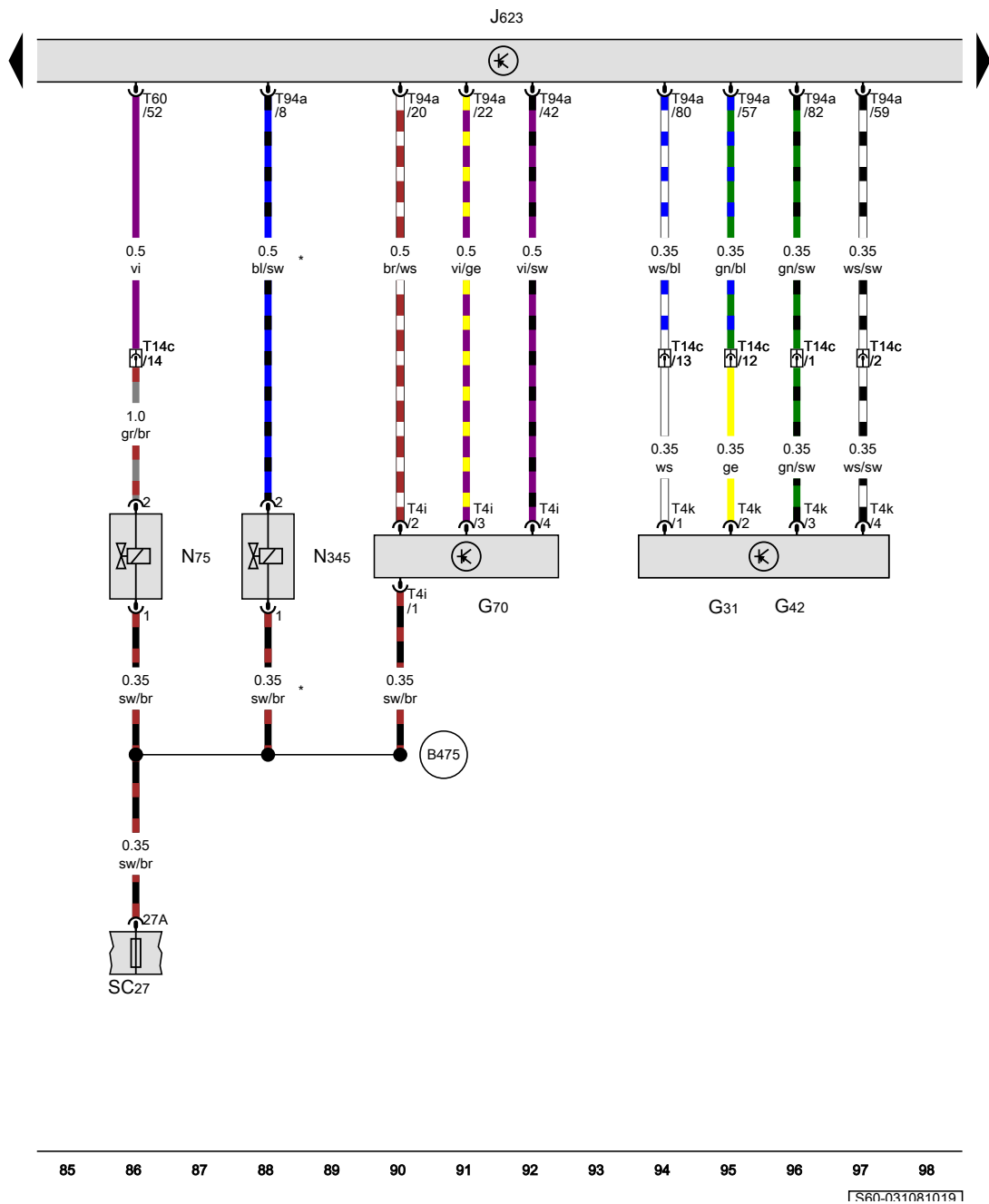
B429 Connection (EFPR), in main wiring harness

B570 Connection 37, in main wiring harness

* Wiring colour depends on equipment
 *2 see applicable current flow diagram for fuse assignment

- ws = white
- sw = black
- ro = red
- rt = red
- br = brown
- gn = green
- bl = blue
- gr = grey
- li = purple
- vi = purple
- ge = yellow
- or = orange
- rs = pink

1S60-0310710191



Charge pressure sender, Intake air temperature sender, Air mass meter, Engine/motor control unit, Charge pressure control solenoid valve, Exhaust gas recirculation cooler changeover valve, Fuse 27 on fuse holder C

- G31 Charge pressure sender
- G42 Intake air temperature sender
- G70 Air mass meter
- J623 Engine/motor control unit
- N75 Charge pressure control solenoid valve
- N345 Exhaust gas recirculation cooler changeover valve
- SC27 Fuse 27 on fuse holder C
- T4i 4-pin connector, black, black
- T4k 4-pin connector, black
- T14c 14-pin connector, grey, near battery
- T60 60-pin connector, black
- T94a 94-pin connector, black

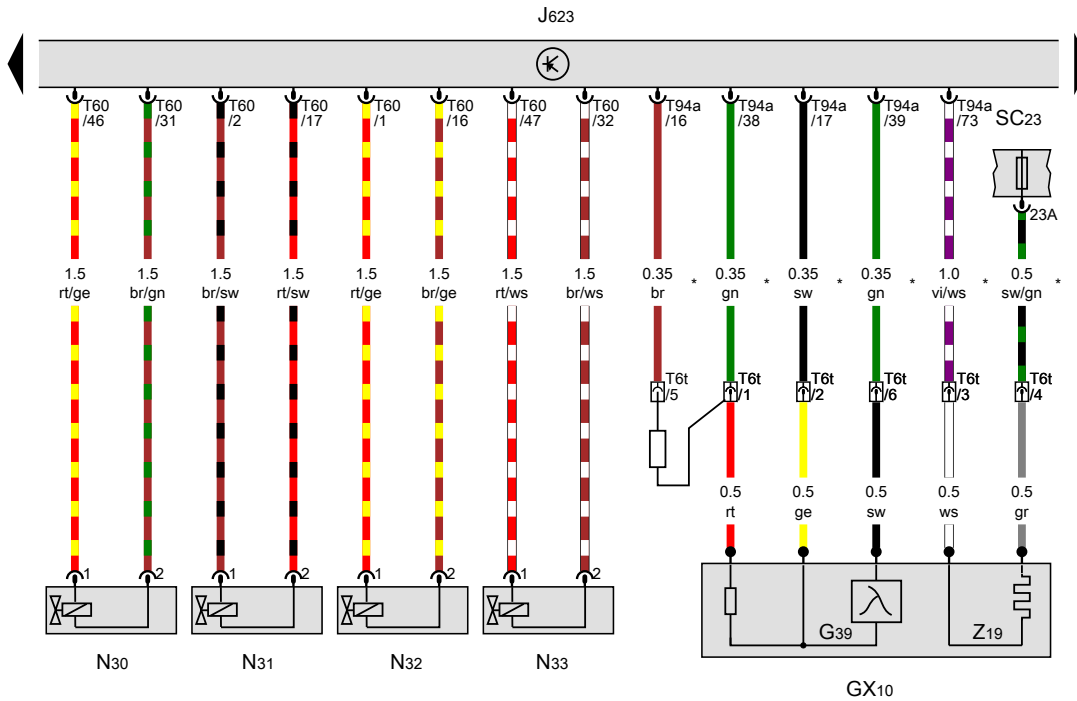
B475 Connection 11, in main wiring harness

* For models with Euro 5 emission standard

- ws = white
- sw = black
- ro = red
- rt = red
- br = brown
- gn = green
- bl = blue
- gr = grey
- li = purple
- vi = purple
- ge = yellow
- or = orange
- rs = pink

85 86 87 88 89 90 91 92 93 94 95 96 97 98

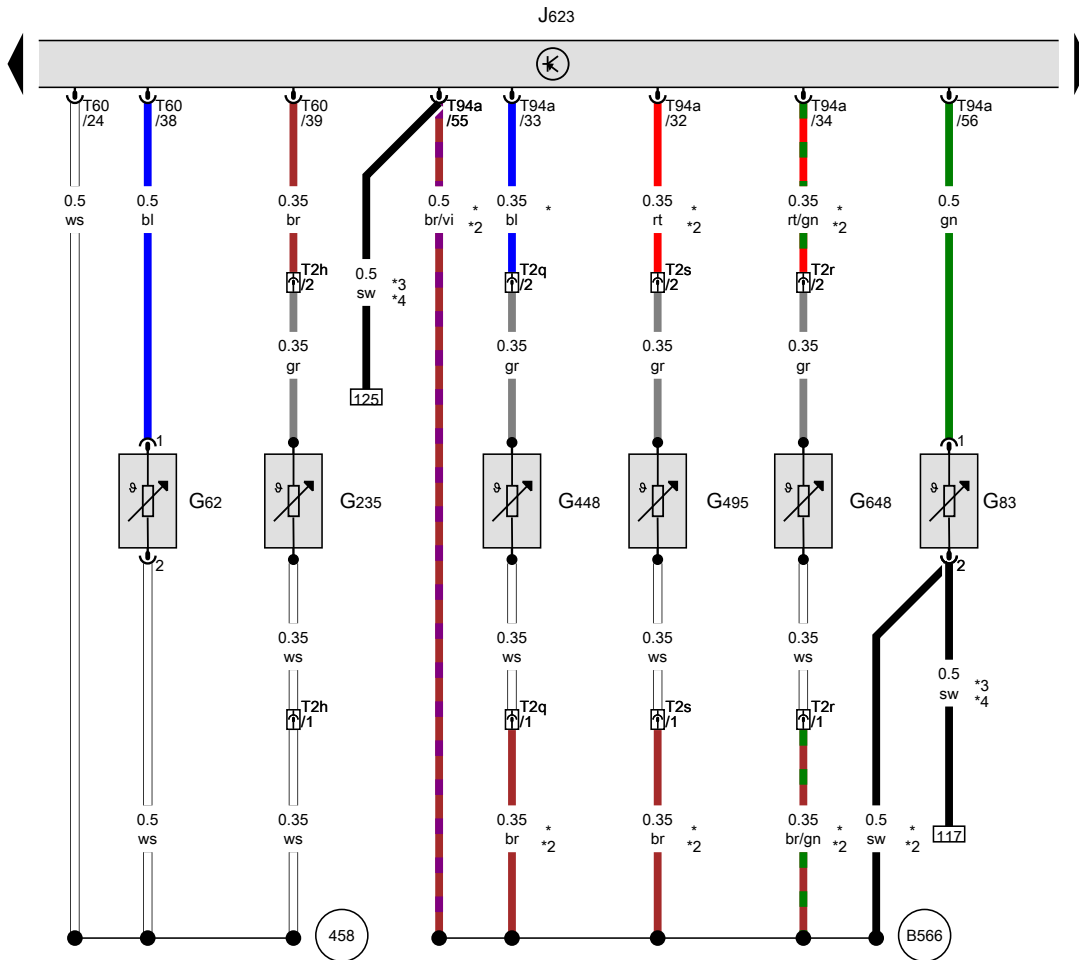
[S60-031081019]



Lambda probe 1 before catalytic converter, Engine/motor control unit, Injector, cylinder 1, Injector, cylinder 2, Injector, cylinder 3, Injector, cylinder 4, Fuse 23 on fuse holder C

- GX10 Lambda probe 1 before catalytic converter
- G39 Lambda probe
- J623 Engine/motor control unit
- N30 Injector, cylinder 1
- N31 Injector, cylinder 2
- N32 Injector, cylinder 3
- N33 Injector, cylinder 4
- SC23 Fuse 23 on fuse holder C
- T6t 6-pin connector, black, front right in engine compartment
- T60 60-pin connector, black
- T94a 94-pin connector, black
- Z19 Lambda probe heater
- * For models with Euro 5 emission standard

- ws = white
- sw = black
- ro = red
- rt = red
- br = brown
- gn = green
- bl = blue
- gr = grey
- li = purple
- vi = purple
- ge = yellow
- or = orange
- rs = pink



Coolant temperature sender, Radiator outlet coolant temperature sender, Exhaust gas temperature sender 1, Exhaust gas temperature sender 2, Exhaust gas temperature sender 3, Exhaust gas temperature sender 4, Engine/motor control unit

- G62 Coolant temperature sender
- G83 Radiator outlet coolant temperature sender
- G235 Exhaust gas temperature sender 1
- G448 Exhaust gas temperature sender 2
- G495 Exhaust gas temperature sender 3
- G648 Exhaust gas temperature sender 4
- J623 Engine/motor control unit
- T2h 2-pin connector, black, near exhaust gas recirculation
- T2q 2-pin connector, black, in front right wheel housing, near right headlight
- T2r 2-pin connector, light brown, near right headlight
- T2s 2-pin connector, brown, near right headlight
- T60 60-pin connector, black
- T94a 94-pin connector, black

458 Earth point 3, engine prewiring harness

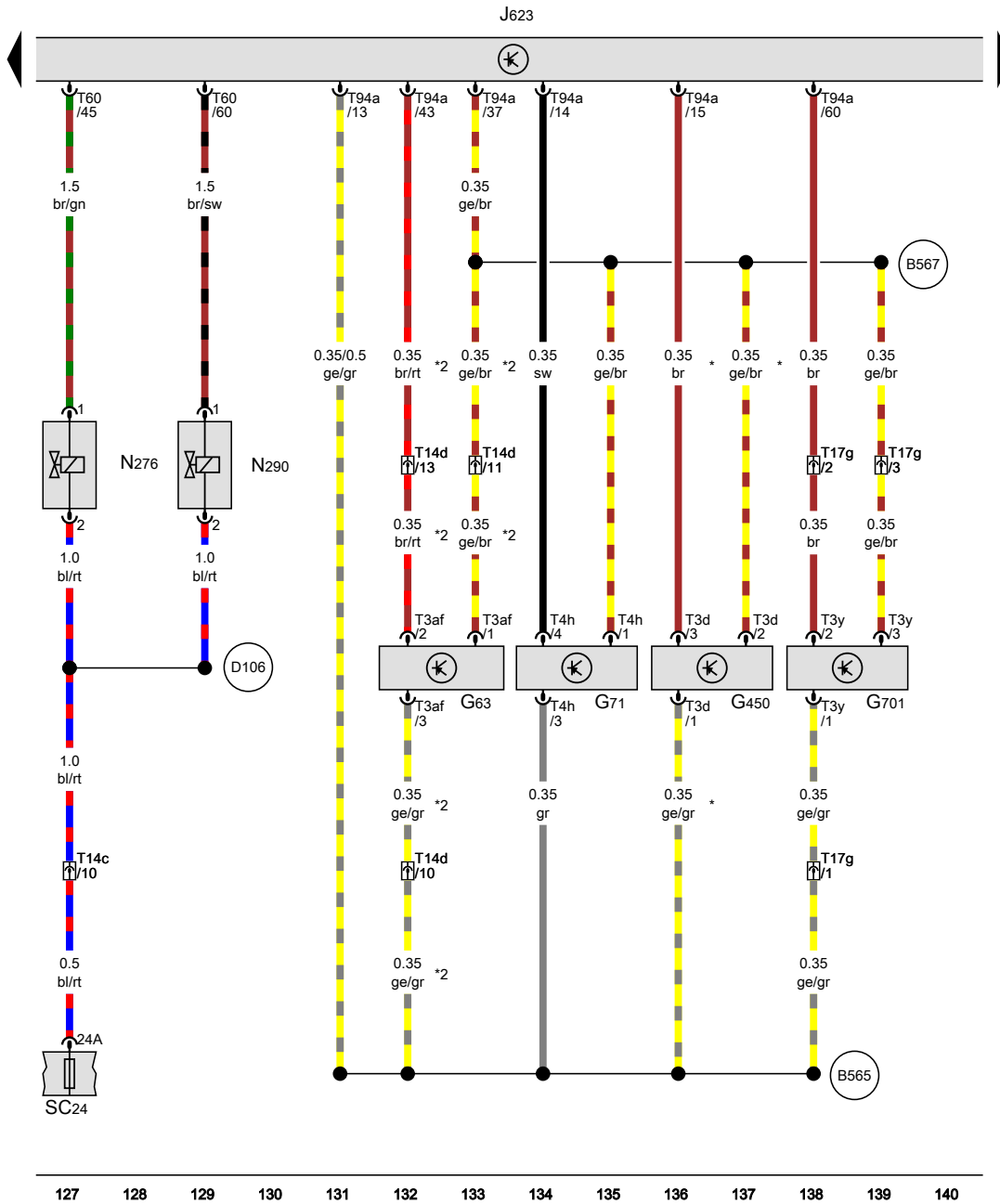
B566 Connection 33, in main wiring harness

- * For emission standard PL 6 BR
- *2 For models with Euro 5 plus emission standard
- *3 For models with Euro 3 emission standard
- *4 For models with Euro 4 emission standard

- ws = white
- sw = black
- ro = red
- rt = red
- br = brown
- gn = green
- bl = blue
- gr = grey
- li = purple
- vi = purple
- ge = yellow
- or = orange
- rs = pink

113 114 115 116 117 118 119 120 121 122 123 124 125 126

1S60-0311010191



Water separator sender, Intake manifold pressure sender, Exhaust gas pressure sensor 1, Gearbox neutral position sender, Engine/motor control unit, Fuel pressure regulating valve, Fuel metering valve, Fuse 24 on fuse holder C

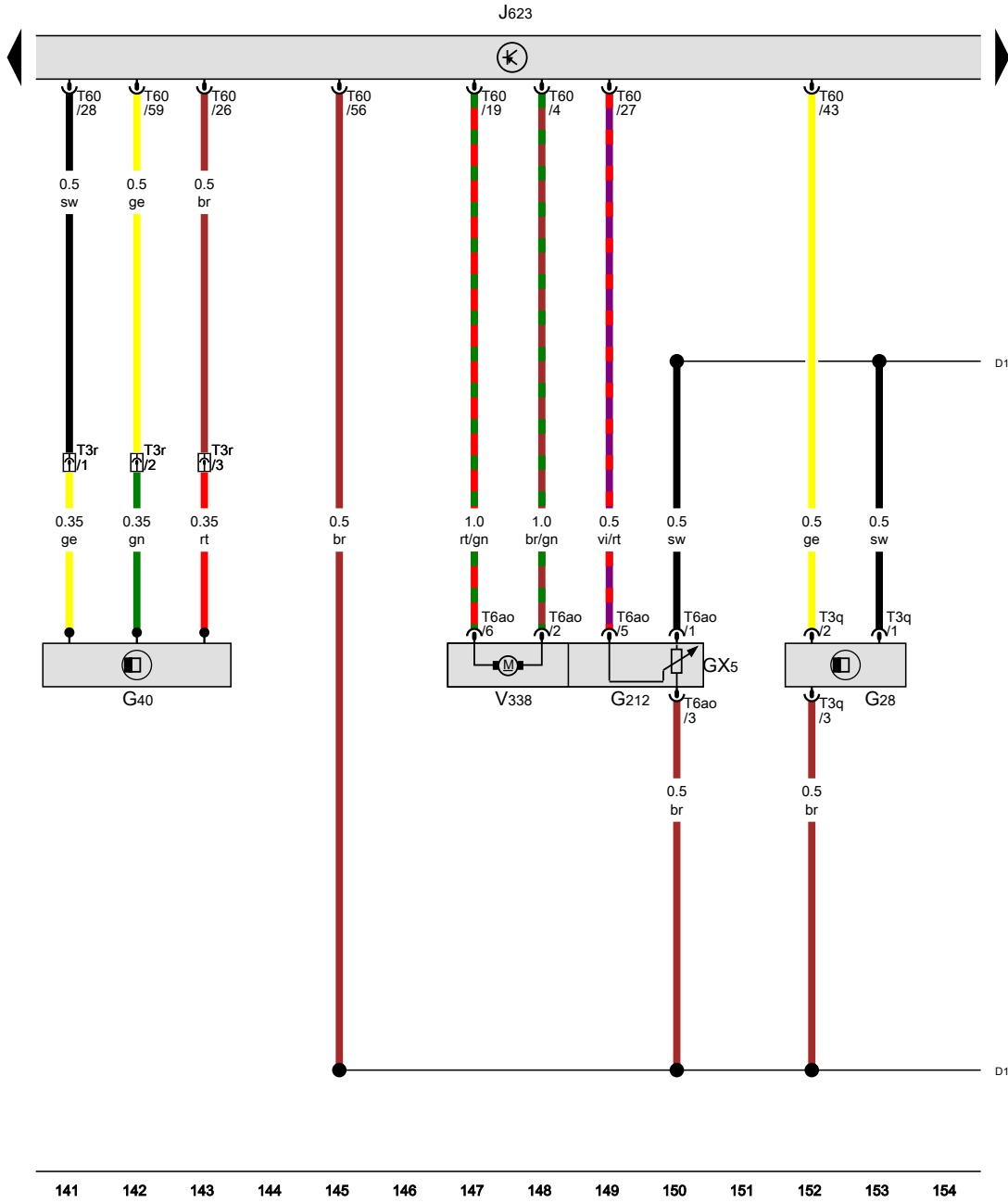
- G63 Water separator sender
- G71 Intake manifold pressure sender
- G450 Exhaust gas pressure sensor 1
- G701 Gearbox neutral position sender
- J623 Engine/motor control unit
- N276 Fuel pressure regulating valve
- N290 Fuel metering valve
- SC24 Fuse 24 on fuse holder C
- T3af 3-pin connector, brown, near fuel filter
- T3d 3-pin connector, black
- T3y 3-pin connector, black
- T4h 4-pin connector, black
- T14c 14-pin connector, grey, near battery
- T14d 14-pin connector, grey, near battery
- T17g 17-pin connector, black, near handbrake lever
- T60 60-pin connector, black
- T94a 94-pin connector, black
- B565 Connection 32, in main wiring harness
- B567 Connection 34, in main wiring harness
- D106 Connection 4 in engine compartment wiring harness
- * For models with Euro 5 emission standard
- *2 Country specific

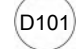
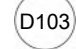
- ws = white
- sw = black
- ro = red
- rt = red
- br = brown
- gn = green
- bl = blue
- gr = grey
- li = purple
- vi = purple
- ge = yellow
- or = orange
- rs = pink

127 128 129 130 131 132 133 134 135 136 137 138 139 140

TS60-031111019

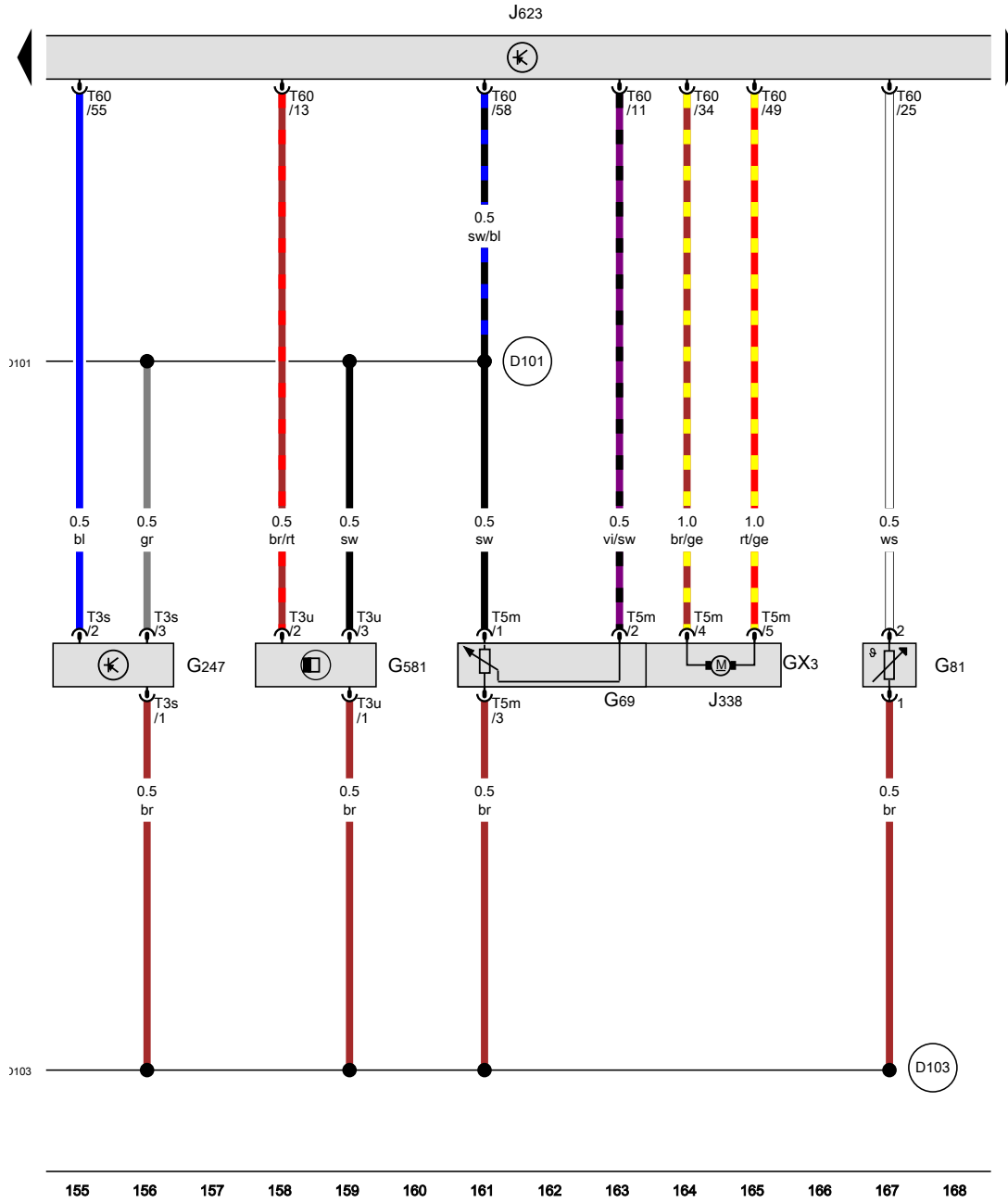
Exhaust gas recirculation valve 1, Hall sender, Engine/ motor control unit, Exhaust gas recirculation control motor



- GX5 Exhaust gas recirculation valve 1
- G28 Engine speed sender
- G40 Hall sender
- G212 Exhaust gas recirculation potentiometer
- J623 Engine/motor control unit
- T3q 3-pin connector, black
- T3r 3-pin connector, black, on front of engine
- T6ao 6-pin connector, grey
- T60 60-pin connector, black
- V338 Exhaust gas recirculation control motor
-  D101 Connection 1 in engine compartment wiring harness
-  D103 Connection 3 in engine compartment wiring harness

- ws = white
- sw = black
- ro = red
- rt = red
- br = brown
- gn = green
- bl = blue
- gr = grey
- li = purple
- vi = purple
- ge = yellow
- or = orange
- rs = pink

[S60-031121019]



Throttle valve module, Fuel temperature sender, Fuel pressure sender, Position sender for charge pressure positioner, Engine/motor control unit

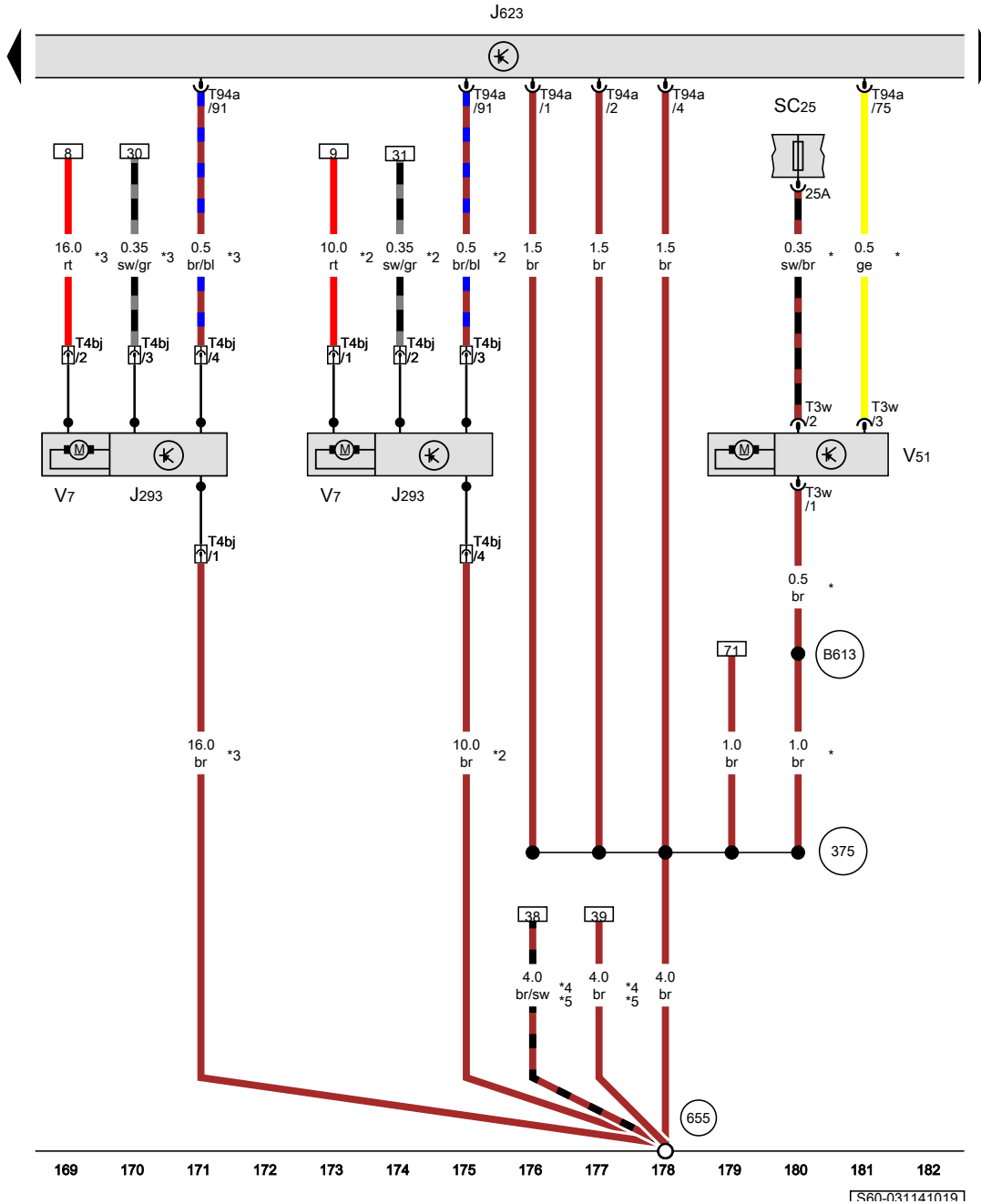
- GX3 Throttle valve module
- G69 Throttle valve potentiometer
- G81 Fuel temperature sender
- G247 Fuel pressure sender
- G581 Position sender for charge pressure positioner
- J338 Throttle valve module
- J623 Engine/motor control unit
- T3s 3-pin connector, black
- T3u 3-pin connector, black
- T5m 5-pin connector, black
- T60 60-pin connector, black

- D101 Connection 1 in engine compartment wiring harness
- D103 Connection 3 in engine compartment wiring harness

- ws = white
- sw = black
- ro = red
- rt = red
- br = brown
- gn = green
- bl = blue
- gr = grey
- li = purple
- vi = purple
- ge = yellow
- or = orange
- rs = pink

[S60-031131019]

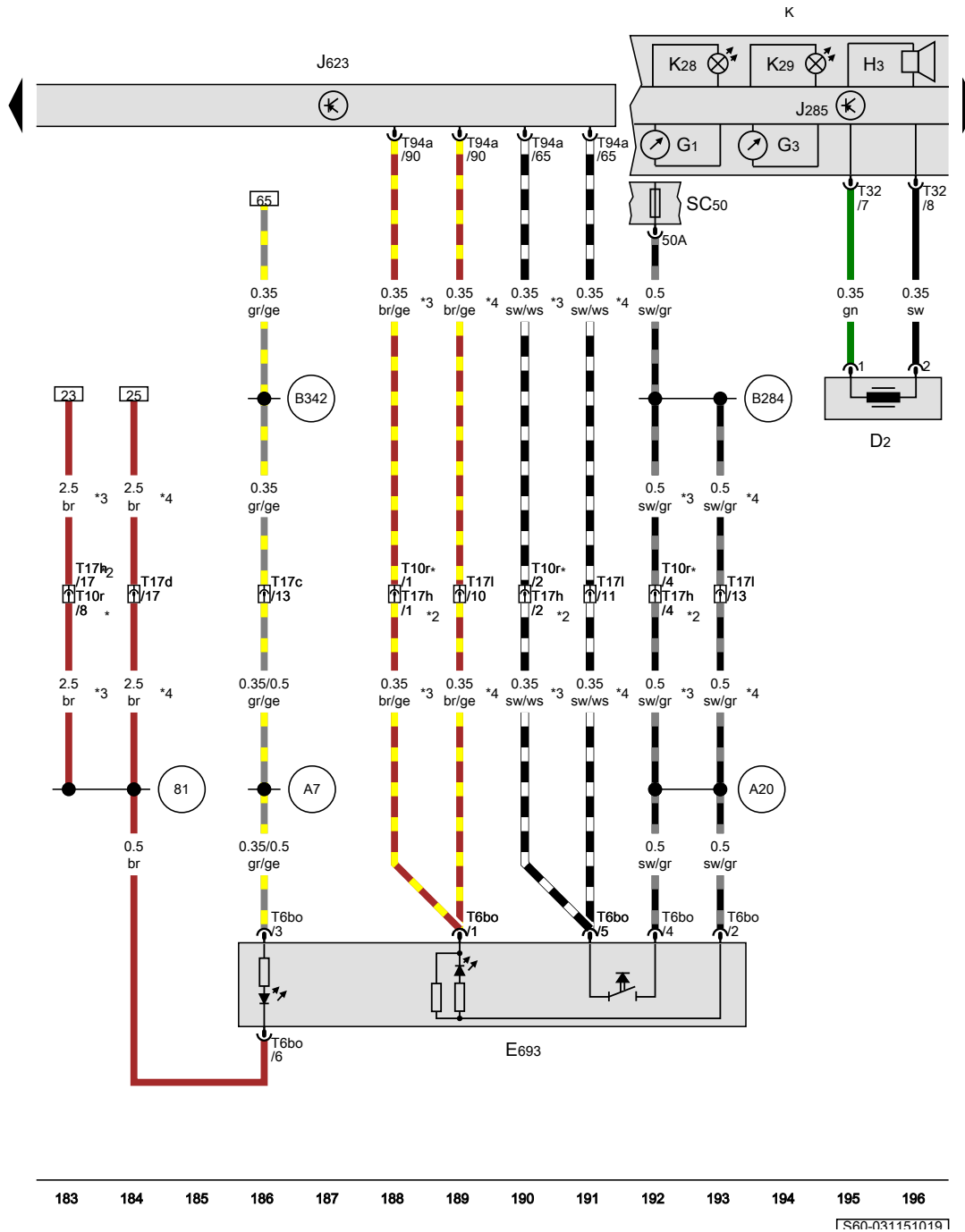
Radiator fan control unit, Engine/motor control unit, Fuse 25 on fuse holder C, Continued coolant circulation pump



- J293 Radiator fan control unit
- J623 Engine/motor control unit
- SC25 Fuse 25 on fuse holder C
- T3w 3-pin connector, black
- T4bj 4-pin connector, black, on radiator cowling
- T94a 94-pin connector, black
- V7 Radiator fan
- V51 Continued coolant circulation pump
- 375 Earth connection 10, in main wiring harness
- 655 Earth point, on left headlight
- B613 Connection 41, in main wiring harness
- * For models with Euro 5 emission standard
- *2 For models with low fan output
- *3 For models with increased fan output
- *4 Wiring colour depends on equipment
- *5 see applicable current flow diagram for earthing concept

- ws = white
- sw = black
- ro = red
- rt = red
- br = brown
- gn = green
- bl = blue
- gr = grey
- li = purple
- vi = purple
- ge = yellow
- or = orange
- rs = pink

1S60-0311410191

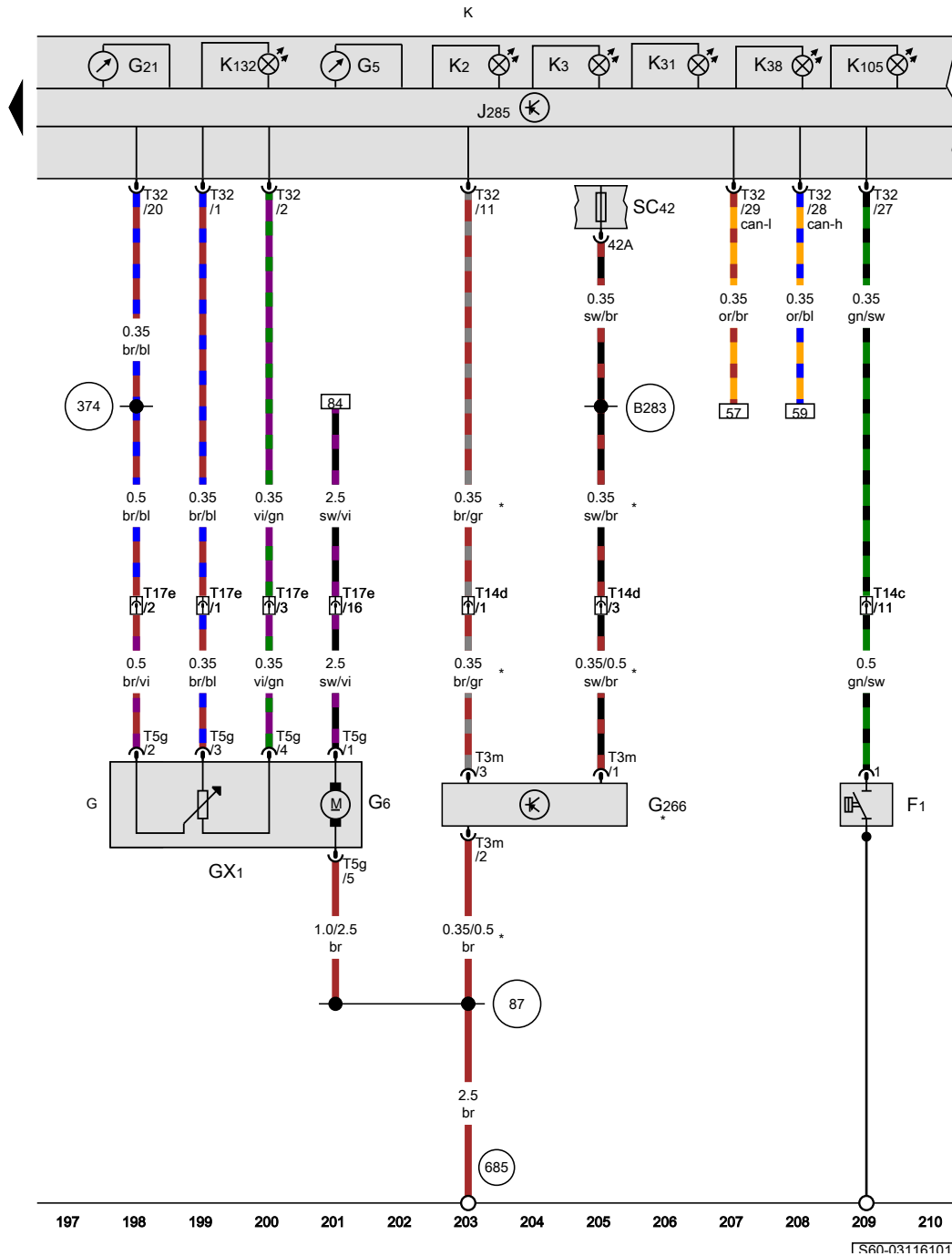


Start/Stop operation button, Engine/motor control unit, Dash panel insert, Fuse 50 on fuse holder C

- D2 Immobiliser reader coil
- E693 Start/Stop operation button
- G1 Fuel gauge
- G3 Coolant temperature gauge
- H3 Buzzer and gong
- J285 Control unit in dash panel insert
- J623 Engine/motor control unit
- K Dash panel insert
- K28 Coolant temperature and coolant shortage warning lamp
- K29 Glow period warning lamp
- SC50 Fuse 50 on fuse holder C
- T6bo 6-pin connector, grey
- T10r 10-pin connector, blue, behind dash panel
- T17c 17-pin connector, white, behind dash panel
- T17d 17-pin connector, green, behind dash panel
- T17h 17-pin connector, blue, behind dash panel
- T17i 17-pin connector, brown, behind dash panel
- T32 32-pin connector, blue
- T94a 94-pin connector, black

- 81 Earth connection 1, in dash panel wiring harness
- A7 Positive connection (58 D1), in dash panel wiring harness
- A20 Positive connection (15a), in dash panel wiring harness
- B284 Positive connection 8 (15a) in main wiring harness
- B342 Connection 3 (58d), in main wiring harness
- * For right-hand drive models
- *2 For left-hand drive models
- *3 Up to January 2018
- *4 From January 2018

- ws = white
- sw = black
- ro = red
- rt = red
- br = brown
- gn = green
- bl = blue
- gr = grey
- li = purple
- vi = purple
- ge = yellow
- or = orange
- rs = pink



Oil pressure switch, Fuel system pressurisation pump, Oil level and oil temperature sender, Dash panel insert, Fuse 42 on fuse holder C

- F1 Oil pressure switch
- G Fuel gauge sender
- GX1 Fuel delivery unit
- G5 Rev. counter
- G6 Fuel system pressurisation pump
- G21 Speedometer
- G266 Oil level and oil temperature sender
- J285 Control unit in dash panel insert
- K Dash panel insert
- K2 Alternator warning lamp
- K3 Oil pressure warning lamp
- K31 Cruise control system warning lamp
- K38 Oil level warning lamp
- K105 Reserve fuel warning lamp
- K132 Electronic power control fault lamp
- SC42 Fuse 42 on fuse holder C
- T3m 3-pin connector, black
- T5g 5-pin connector, black
- T14c 14-pin connector, grey, near battery
- T14d 14-pin connector, black, near battery
- T17e 17-pin connector, red, near handbrake lever
- T32 32-pin connector, blue

- (87) Earth connection 2, in rear wiring harness
- (374) Earth connection 9, in main wiring harness
- (685) Earth point 1, on front of right longitudinal member
- (B283) Positive connection 7 (15a) in main wiring harness
- * According to equipment

- ws = white
- sw = black
- ro = red
- rt = red
- br = brown
- gn = green
- bl = blue
- gr = grey
- li = purple
- vi = purple
- ge = yellow
- or = orange
- rs = pink

TS60-031161019

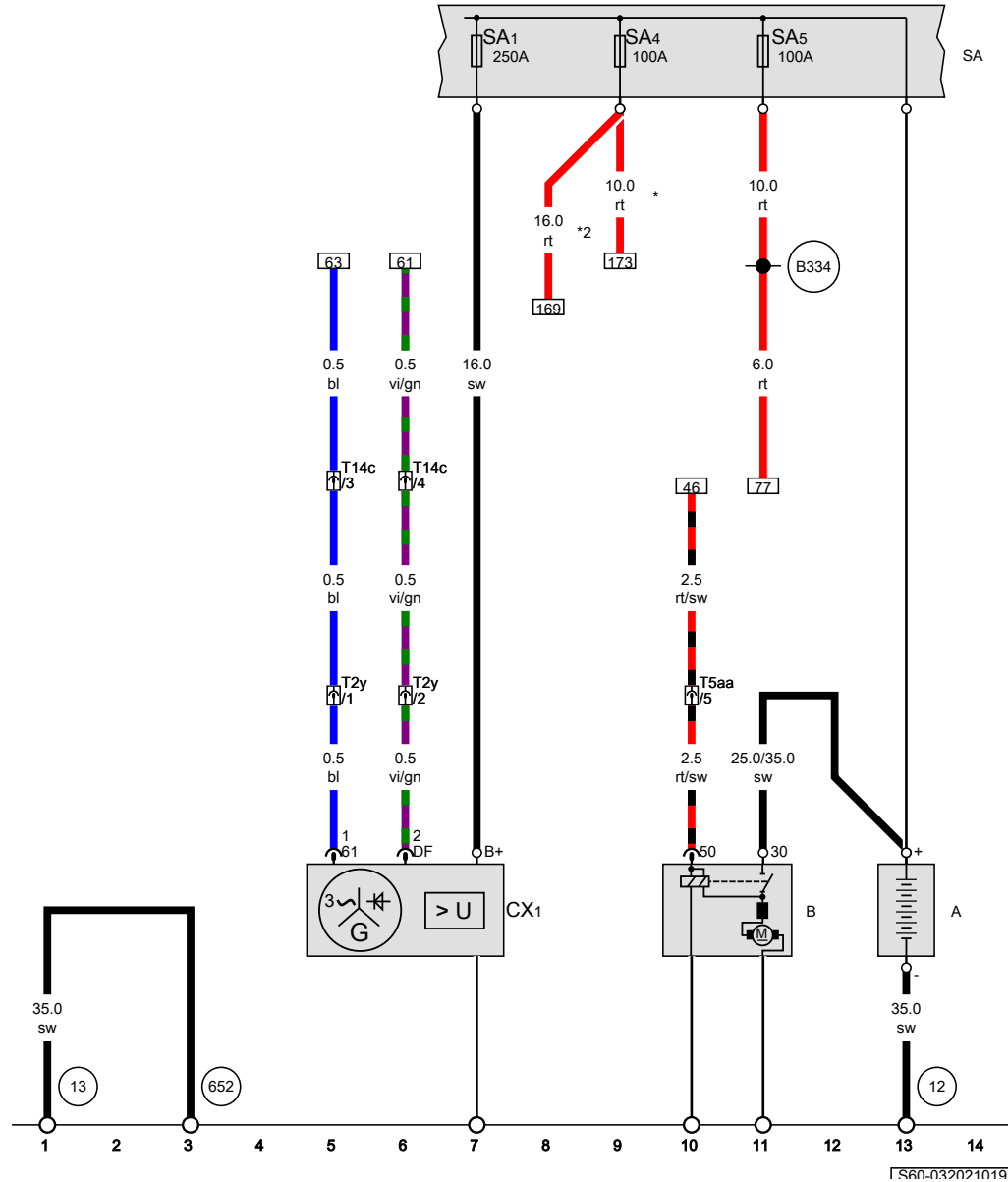
2.0l diesel engine , CNEA,CNEB,CSHA,(7L3)

From June 2016

Battery, Starter, Alternator with voltage regulator, Fuse holder A

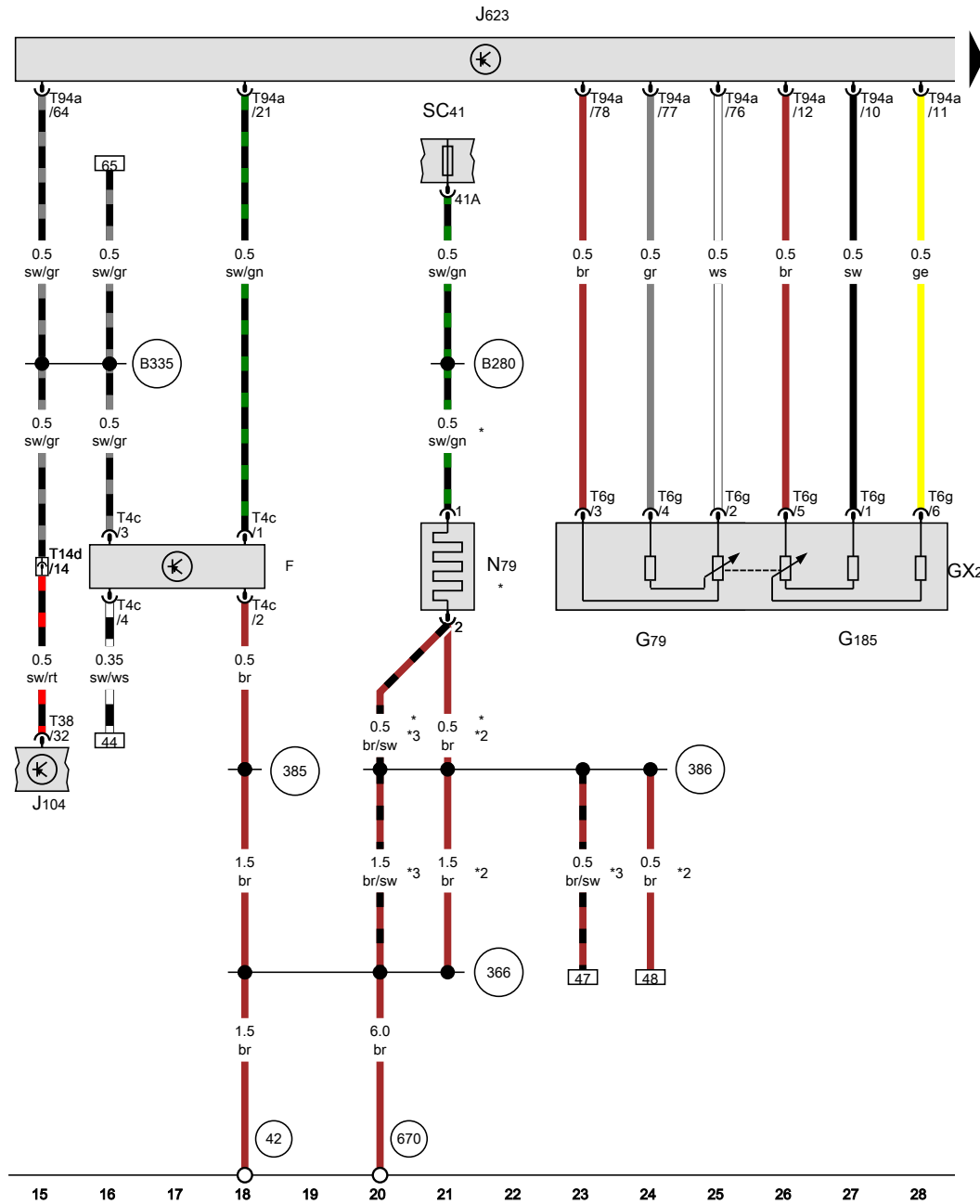
- A Battery
- B Starter
- CX1 Alternator with voltage regulator
- SA Fuse holder A
- SA1 Fuse 1 on fuse holder A
- SA4 Fuse 4 on fuse holder A
- SA5 Fuse 5 on fuse holder A
- T2y 2-pin connector, black, front left in engine compartment
- T5aa 5-pin connector, black, near battery
- T14c 14-pin connector, grey, near battery

- 12 Earth point, on left in engine compartment
- 13 Earth point, on right in engine compartment
- 652 Earth point, engine and gearbox earth
- B334 Positive connection 20 (30a) in main wiring harness
- * For models with low fan output
- *2 For models with increased fan output



- ws = white
- sw = black
- ro = red
- rt = red
- br = brown
- gn = green
- bl = blue
- gr = grey
- li = purple
- vi = purple
- ge = yellow
- or = orange
- rs = pink

[S60-032021019]



Brake light switch, Accelerator pedal module, Accelerator position sender, Accelerator position sender 2, ABS control unit, Engine/motor control unit, Heater element for crankcase breather, Fuse 41 on fuse holder C

- F Brake light switch
- GX2 Accelerator pedal module
- G79 Accelerator position sender
- G185 Accelerator position sender 2
- J104 ABS control unit
- J623 Engine/motor control unit
- N79 Heater element for crankcase breather
- SC41 Fuse 41 on fuse holder C
- T4c 4-pin connector, black
- T6g 6-pin connector, black
- T14d 14-pin connector, black, near battery
- T38 38-pin connector, black
- T94a 94-pin connector, black

42 Earth point, next to steering column

366 Earth connection 1, in main wiring harness

385 Earth connection 20, in main wiring harness

386 Earth connection 21, in main wiring harness

670 Earth point 2, left A-pillar

B280 Positive connection 4 (15a) in main wiring harness

B335 Connection 1 (54), in main wiring harness

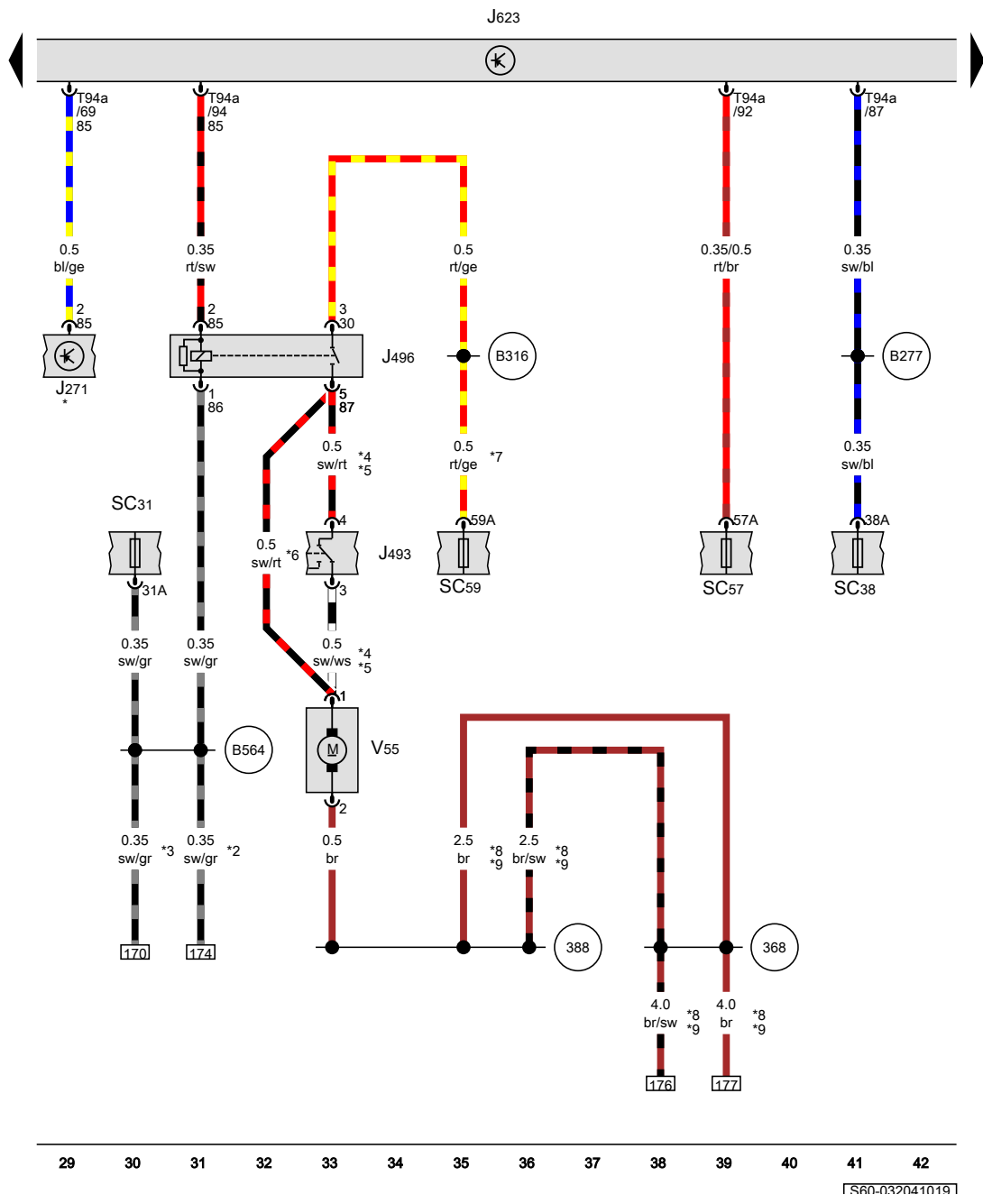
* For models with crankcase breather heater element

*2 Up to February 2017

*3 From February 2017

- ws = white
- sw = black
- ro = red
- rt = red
- br = brown
- gn = green
- bl = blue
- gr = grey
- li = purple
- vi = purple
- ge = yellow
- or = orange
- rs = pink

1560-0320310191



Main relay, Auxiliary coolant heater relay, Additional coolant pump relay, Engine/motor control unit, Fuse 31 on fuse holder C, Fuse 38 on fuse holder C, Fuse 57 on fuse holder C, Fuse 59 on fuse holder C, Circulation pump

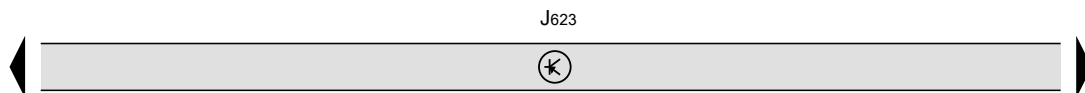
- J271 Main relay, on relay carrier
- J493 Auxiliary coolant heater relay, on relay carrier
- J496 Additional coolant pump relay, on relay carrier
- J623 Engine/motor control unit
- SC31 Fuse 31 on fuse holder C
- SC38 Fuse 38 on fuse holder C
- SC57 Fuse 57 on fuse holder C
- SC59 Fuse 59 on fuse holder C
- T94a 94-pin connector, black
- V55 Circulation pump

- 368 Earth connection 3, in main wiring harness
- 388 Earth connection 23, in main wiring harness
- B277 Positive connection 1 (15a) in main wiring harness
- B316 Positive connection 2 (30a) in main wiring harness
- B564 Connection 31, in main wiring harness

- * see applicable current flow diagram for fuse assignment
- *2 For models with low fan output
- *3 For models with increased fan output
- *4 For models with Climatronic
- *5 For models with Climatic
- *6 For models with no air conditioning system
- *7 Cross-section 1.5 possible
- *8 Wiring colour depends on equipment
- *9 see applicable current flow diagram for earthing concept

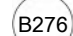
- ws = white
- sw = black
- ro = red
- rt = red
- br = brown
- gn = green
- bl = blue
- gr = grey
- li = purple
- vi = purple
- ge = yellow
- or = orange
- rs = pink

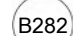
1S60-0320410191

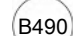


Ignition/starter switch, Starter motor relay, Onboard supply control unit, Engine/motor control unit, Fuse 9 on fuse holder C, Fuse 18 on fuse holder C, Fuse 20 on fuse holder C, Diagnostic connection

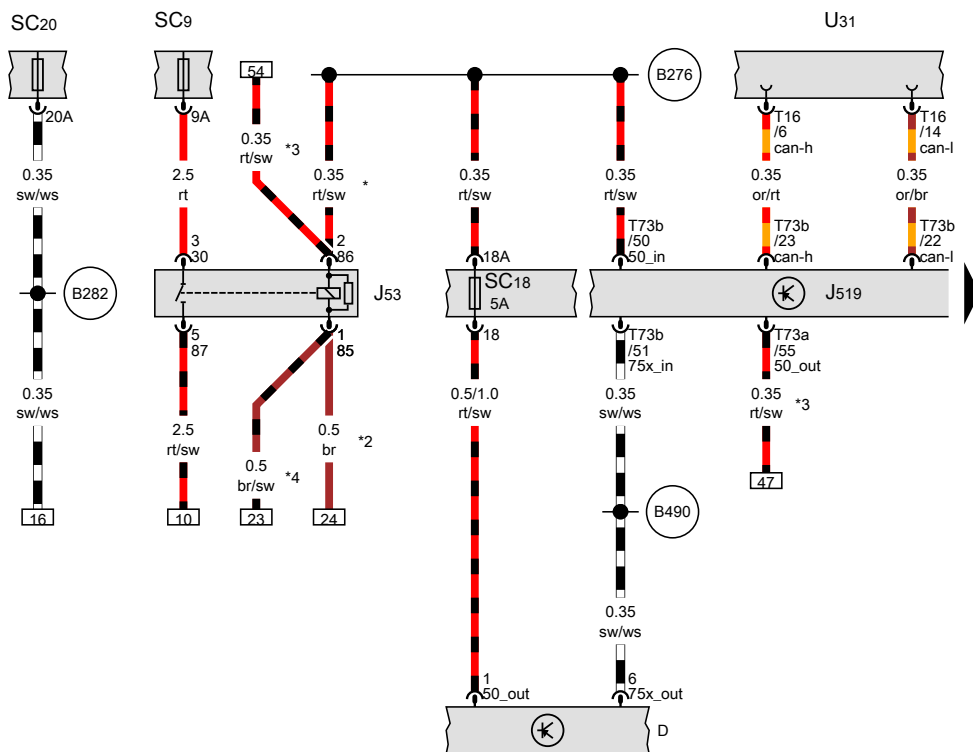
- D Ignition/starter switch
- J53 Starter motor relay
- J519 Onboard supply control unit
- J623 Engine/motor control unit
- SC9 Fuse 9 on fuse holder C
- SC18 Fuse 18 on fuse holder C
- SC20 Fuse 20 on fuse holder C
- T16 16-pin connector, black
- T73a 73-pin connector, black
- T73b 73-pin connector, colourless
- U31 Diagnostic connection

 B276 Positive connection (50), in main wiring harness

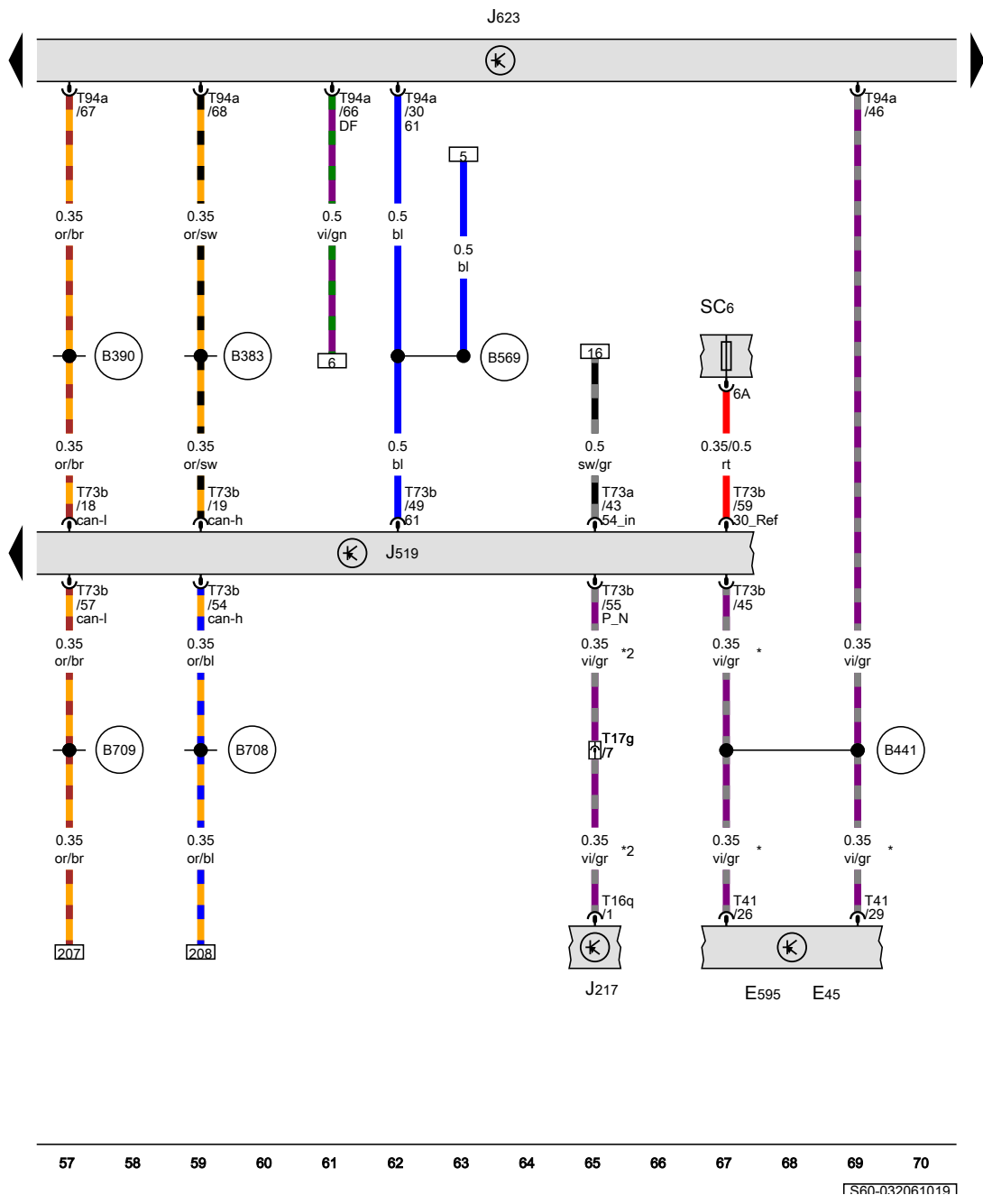
 B282 Positive connection 6 (15a) in main wiring harness

 B490 Connection 26, in main wiring harness

- * For models with manual gearbox
- *2 Up to February 2017
- *3 For models with automatic gearbox
- *4 From February 2017



- ws = white
- sw = black
- ro = red
- rt = red
- br = brown
- gn = green
- bl = blue
- gr = grey
- li = purple
- vi = purple
- ge = yellow
- or = orange
- rs = pink

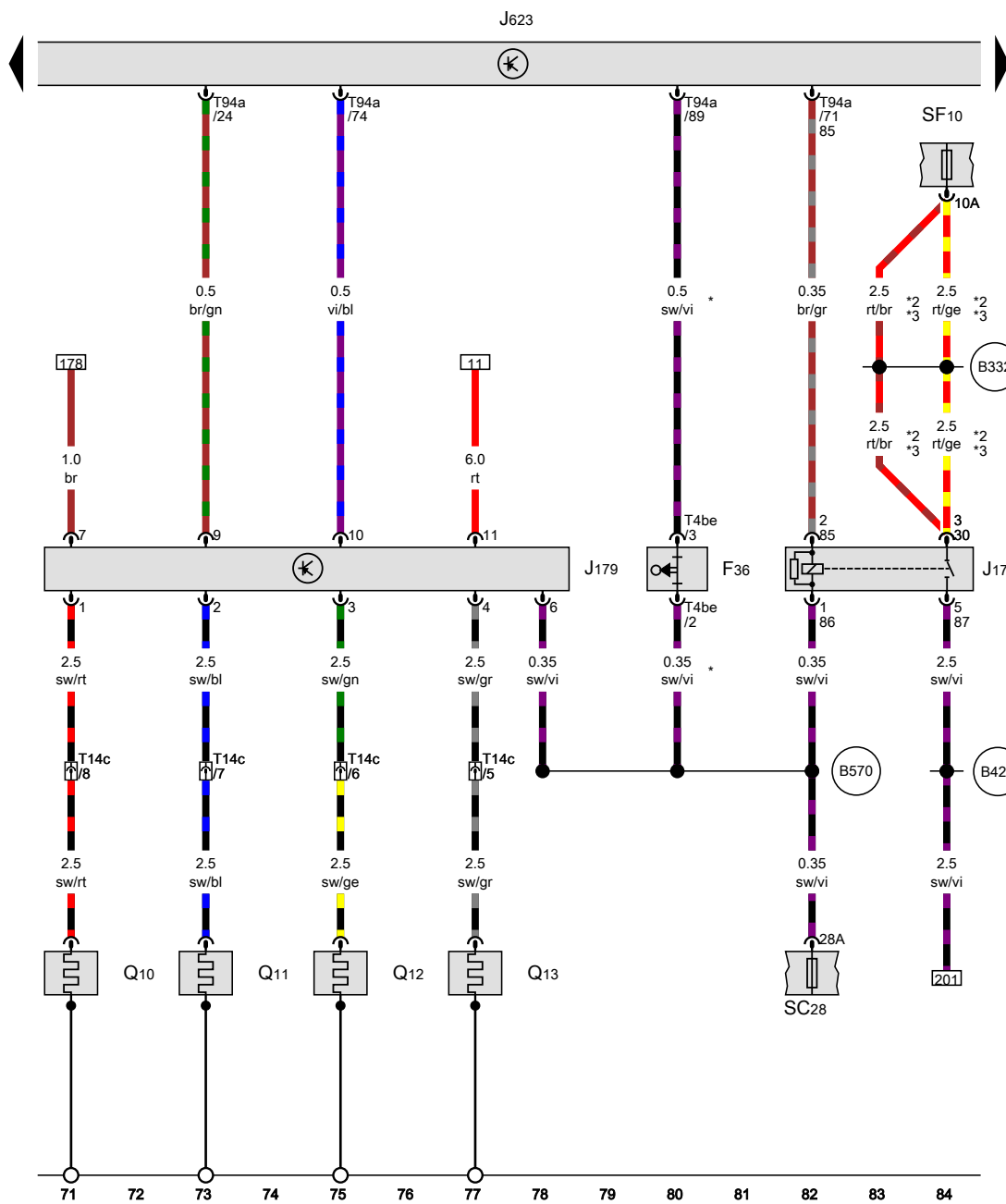


Cruise control system switch, Steering column combination switch, Automatic gearbox control unit, Onboard supply control unit, Engine/motor control unit, Fuse 6 on fuse holder C

- E45 Cruise control system switch
- E595 Steering column combination switch
- J217 Automatic gearbox control unit
- J519 Onboard supply control unit
- J623 Engine/motor control unit
- SC6 Fuse 6 on fuse holder C
- T16q 16-pin connector, black
- T17g 17-pin connector, black, near handbrake lever
- T41 41-pin connector, grey
- T73a 73-pin connector, black
- T73b 73-pin connector, colourless
- T94a 94-pin connector, black

- (B383) Connection 1 (powertrain CAN bus, high), in main wiring harness
- (B390) Connection 1 (powertrain CAN bus, low), in main wiring harness
- (B441) Connection (CCS), in main wiring harness
- (B569) Connection 36, in main wiring harness
- (B708) Connection 1 (dash panel insert CAN bus high) in main wiring harness
- (B709) Connection 1 (dash panel insert CAN bus low) in main wiring harness
- * For models with cruise control system (CCS)
- *2 For models with automatic gearbox

- ws = white
- sw = black
- ro = red
- rt = red
- br = brown
- gn = green
- bl = blue
- gr = grey
- li = purple
- vi = purple
- ge = yellow
- or = orange
- rs = pink

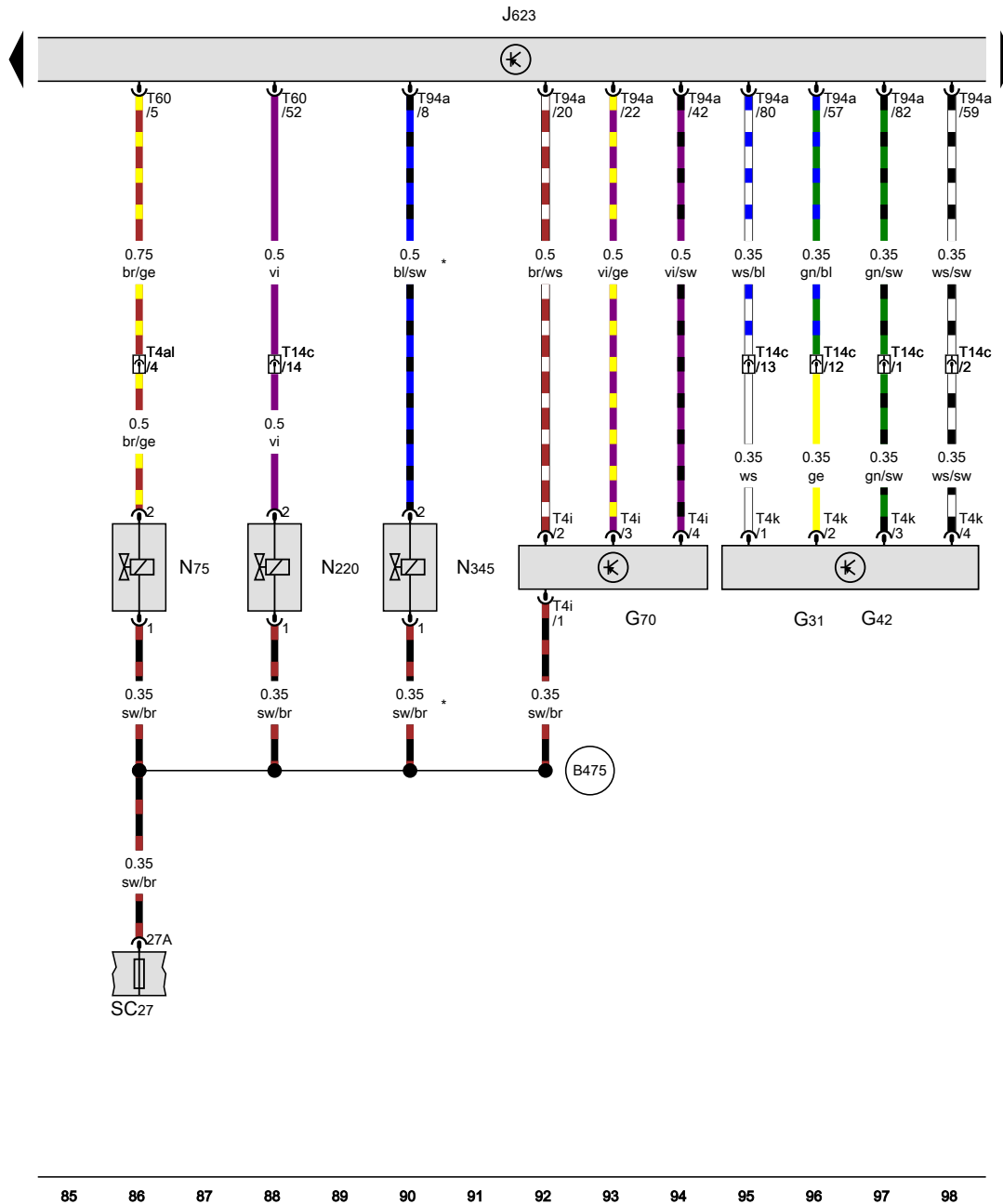


Clutch pedal switch, Fuel pump relay, Automatic glow period control unit, Engine/motor control unit, Glow plug 1, Glow plug 2, Glow plug 3, Glow plug 4, Fuse 10 in fuse holder F, Fuse 28 on fuse holder C

- F36 Clutch pedal switch
- J17 Fuel pump relay
- J179 Automatic glow period control unit
- J623 Engine/motor control unit
- Q10 Glow plug 1
- Q11 Glow plug 2
- Q12 Glow plug 3
- Q13 Glow plug 4
- SF10 Fuse 10 in fuse holder F
- SC28 Fuse 28 on fuse holder C
- T4be 4-pin connector, black
- T14c 14-pin connector, grey, near battery
- T94a 94-pin connector, black
- (B332) Positive connection 18 (30a) in main wiring harness
- (B429) Connection (EFPR), in main wiring harness
- (B570) Connection 37, in main wiring harness
- * For models with manual gearbox
- *2 Wiring colour depends on equipment
- *3 see applicable current flow diagram for fuse assignment

- ws = white
- sw = black
- ro = red
- rt = red
- br = brown
- gn = green
- bl = blue
- gr = grey
- li = purple
- vi = purple
- ge = yellow
- or = orange
- rs = pink

1S60-0320710191



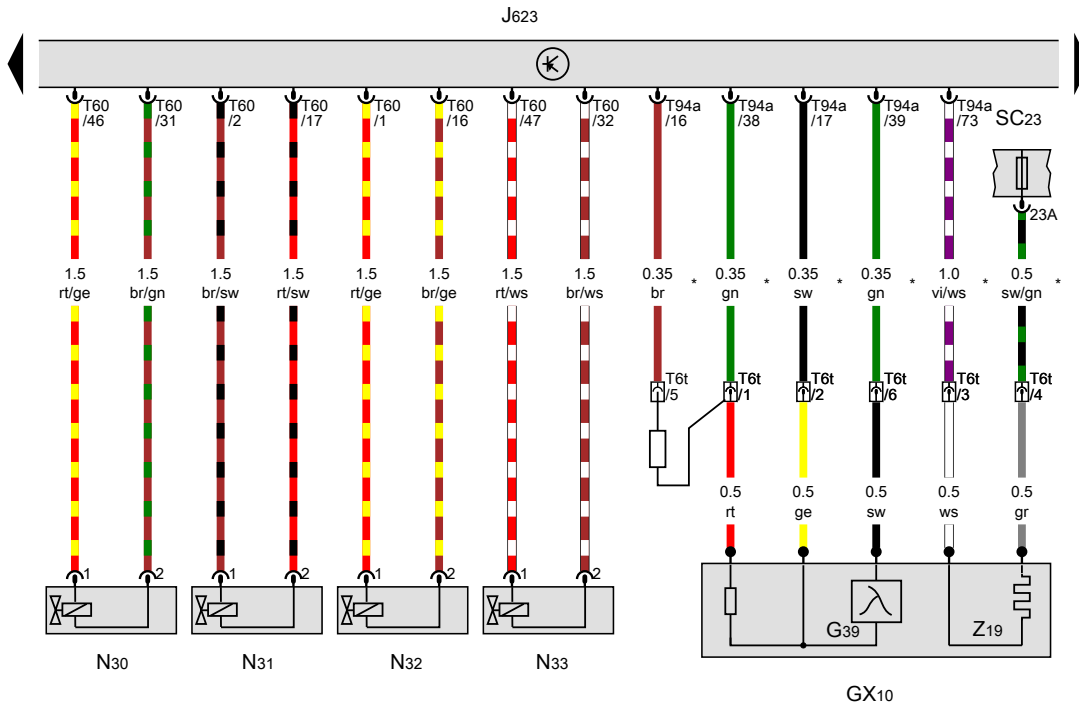
Charge pressure sender, Intake air temperature sender, Air mass meter, Engine/motor control unit, Charge pressure control solenoid valve, Exhaust flap valve, Exhaust gas recirculation cooler changeover valve, Fuse 27 on fuse holder C

- G31 Charge pressure sender
- G42 Intake air temperature sender
- G70 Air mass meter
- J623 Engine/motor control unit
- N75 Charge pressure control solenoid valve
- N220 Exhaust flap valve
- N345 Exhaust gas recirculation cooler changeover valve
- SC27 Fuse 27 on fuse holder C
- T4al 4-pin connector, black, near battery
- T4i 4-pin connector, black, black
- T4k 4-pin connector, black
- T14c 14-pin connector, grey, near battery
- T60 60-pin connector, black
- T94a 94-pin connector, black

B475 Connection 11, in main wiring harness

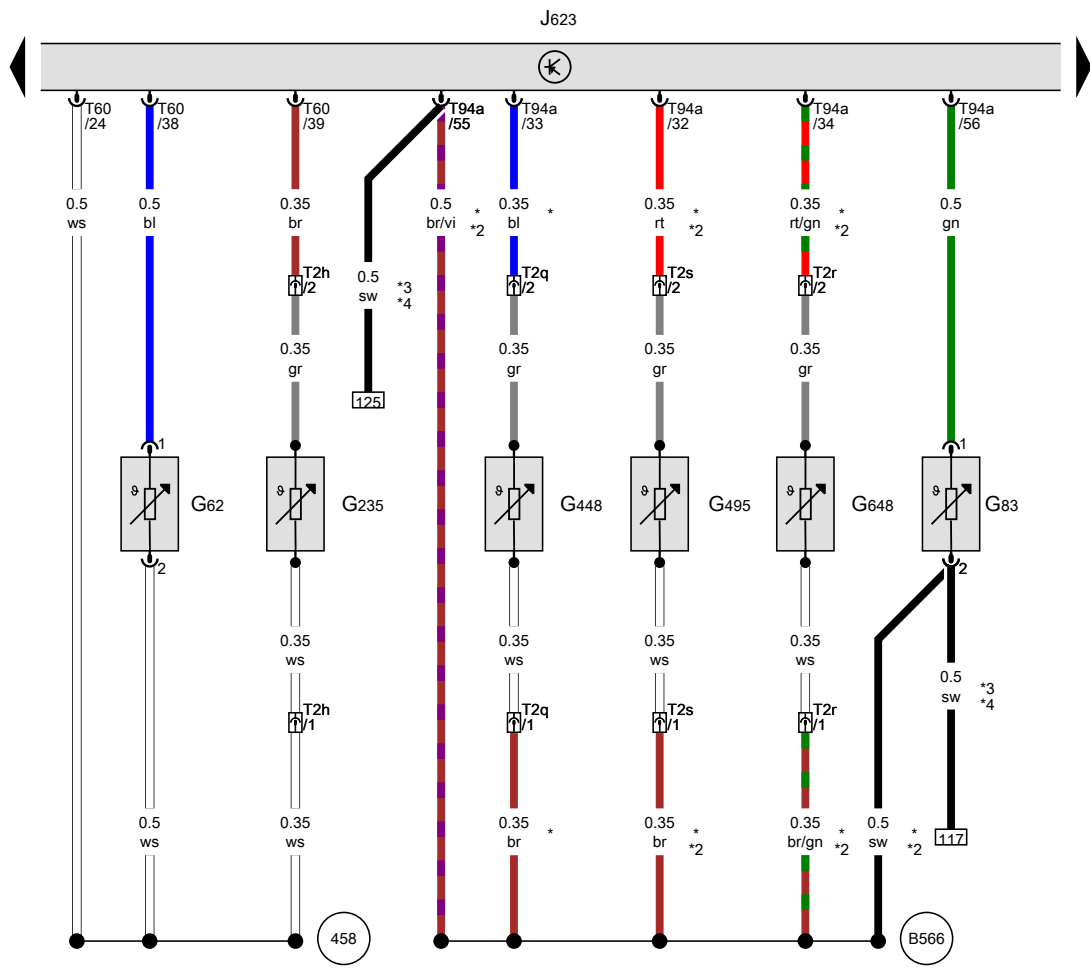
* For models with Euro 5 emission standard

- ws = white
- sw = black
- ro = red
- rt = red
- br = brown
- gn = green
- bl = blue
- gr = grey
- li = purple
- vi = purple
- ge = yellow
- or = orange
- rs = pink



Lambda probe 1 before catalytic converter, Lambda probe, Engine/motor control unit, Injector, cylinder 1, Injector, cylinder 2, Injector, cylinder 3, Injector, cylinder 4, Fuse 23 on fuse holder C

- GX10 Lambda probe 1 before catalytic converter
- G39 Lambda probe
- J623 Engine/motor control unit
- N30 Injector, cylinder 1
- N31 Injector, cylinder 2
- N32 Injector, cylinder 3
- N33 Injector, cylinder 4
- SC23 Fuse 23 on fuse holder C
- T6t 6-pin connector, black, front right in engine compartment
- T60 60-pin connector, black
- T94a 94-pin connector, black
- Z19 Lambda probe heater
- * For models with Euro 5 emission standard



Coolant temperature sender, Radiator outlet coolant temperature sender, Exhaust gas temperature sender 1, Exhaust gas temperature sender 2, Exhaust gas temperature sender 3, Exhaust gas temperature sender 4, Engine/motor control unit

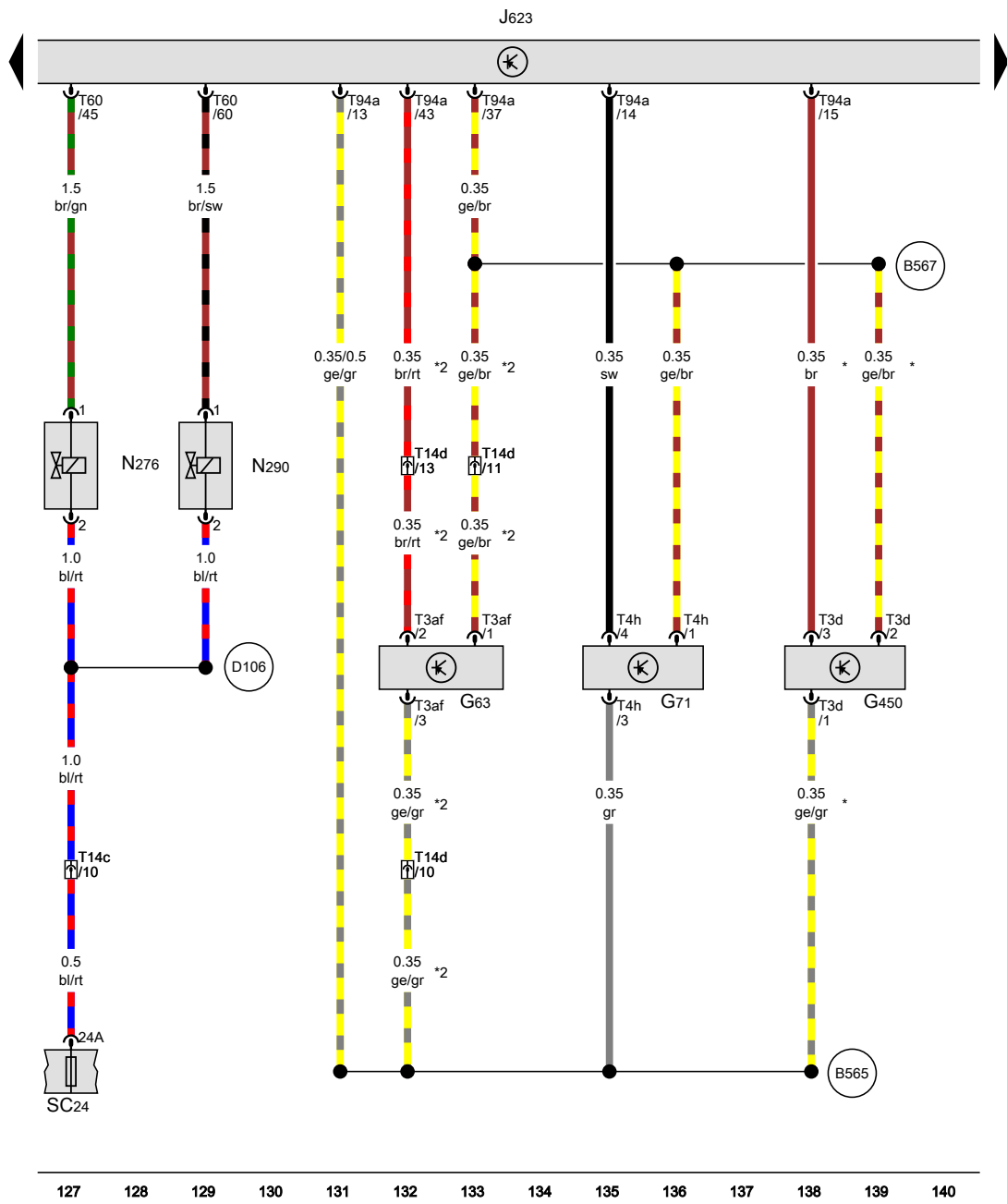
- G62 Coolant temperature sender
- G83 Radiator outlet coolant temperature sender
- G235 Exhaust gas temperature sender 1
- G448 Exhaust gas temperature sender 2
- G495 Exhaust gas temperature sender 3
- G648 Exhaust gas temperature sender 4
- J623 Engine/motor control unit
- T2h 2-pin connector, black, near exhaust gas recirculation
- T2q 2-pin connector, black, near right headlight
- T2r 2-pin connector, light brown, near right headlight
- T2s 2-pin connector, brown, near right headlight
- T60 60-pin connector, black
- T94a 94-pin connector, black

458 Earth point 3, engine prewiring harness

B566 Connection 33, in main wiring harness

- * For emission standard PL 6 BR
- *2 For models with Euro 5 plus emission standard
- *3 For models with Euro 3 emission standard
- *4 For models with Euro 4 emission standard

- ws = white
- sw = black
- ro = red
- rt = red
- br = brown
- gn = green
- bl = blue
- gr = grey
- li = purple
- vi = purple
- ge = yellow
- or = orange
- rs = pink



Water separator sender, Intake manifold pressure sender, Exhaust gas pressure sensor 1, Engine/motor control unit, Fuel pressure regulating valve, Fuel metering valve, Fuse 24 on fuse holder C

- G63 Water separator sender
- G71 Intake manifold pressure sender
- G450 Exhaust gas pressure sensor 1
- J623 Engine/motor control unit
- N276 Fuel pressure regulating valve
- N290 Fuel metering valve
- SC24 Fuse 24 on fuse holder C
- T3af 3-pin connector, brown, near fuel filter
- T3d 3-pin connector, black
- T4h 4-pin connector, black
- T14c 14-pin connector, grey, near battery
- T14d 14-pin connector, grey, near battery
- T60 60-pin connector, black
- T94a 94-pin connector, black

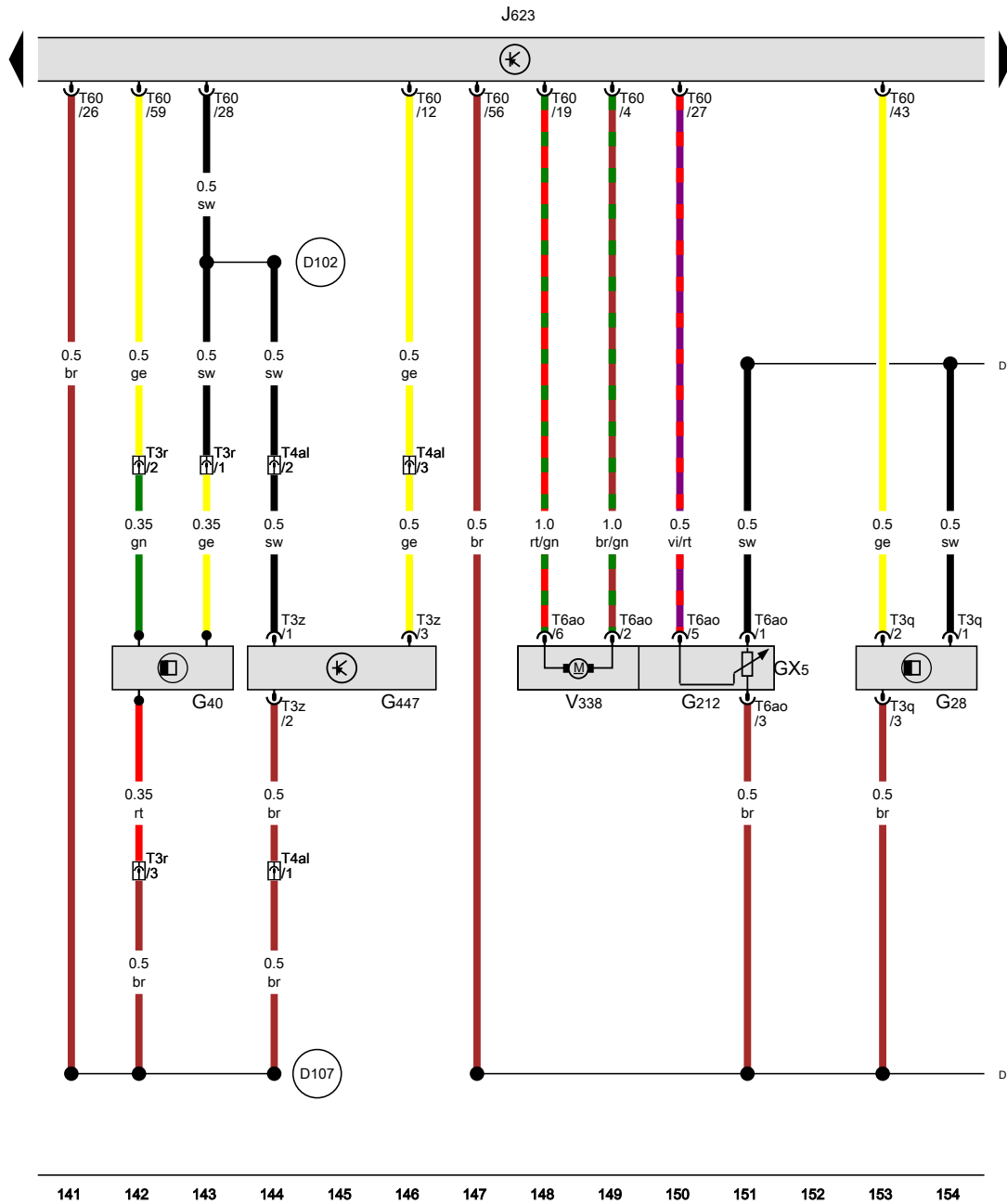
- B565 Connection 32, in main wiring harness
- B567 Connection 34, in main wiring harness
- D106 Connection 4 in engine compartment wiring harness

- * For models with Euro 5 emission standard
- *2 Country specific

- ws = white
- sw = black
- ro = red
- rt = red
- br = brown
- gn = green
- bl = blue
- gr = grey
- li = purple
- vi = purple
- ge = yellow
- or = orange
- rs = pink

127 128 129 130 131 132 133 134 135 136 137 138 139 140

TS60-032111019



Exhaust gas recirculation valve 1, Engine speed sender, Hall sender, Charge pressure sender 2, Engine/motor control unit

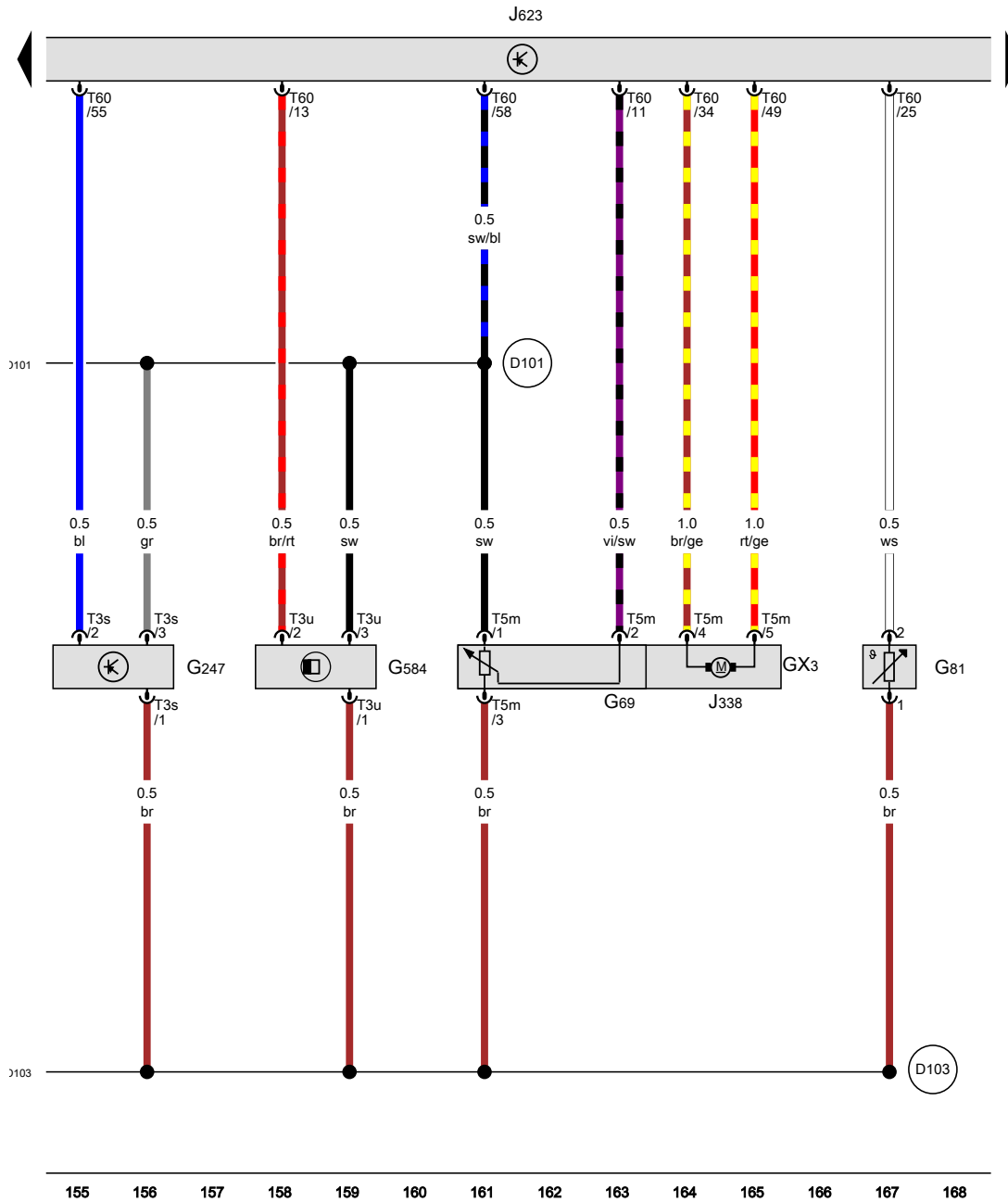
- GX5 Exhaust gas recirculation valve 1
- G28 Engine speed sender
- G40 Hall sender
- G212 Exhaust gas recirculation potentiometer
- G447 Charge pressure sender 2
- J623 Engine/motor control unit
- T3q 3-pin connector, black
- T3r 3-pin connector, black, on front of engine
- T3z 3-pin connector, black
- T4al 4-pin connector, black, near battery
- T6ao 6-pin connector, grey
- T60 60-pin connector, black
- V338 Exhaust gas recirculation control motor

- D101 Connection 1 in engine compartment wiring harness
- D102 Connection 2 in engine compartment wiring harness
- D103 Connection 3 in engine compartment wiring harness
- D107 Connection 5 in engine compartment wiring harness

- ws = white
- sw = black
- ro = red
- rt = red
- br = brown
- gn = green
- bl = blue
- gr = grey
- li = purple
- vi = purple
- ge = yellow
- or = orange
- rs = pink

141 142 143 144 145 146 147 148 149 150 151 152 153 154

[S60-032121019]



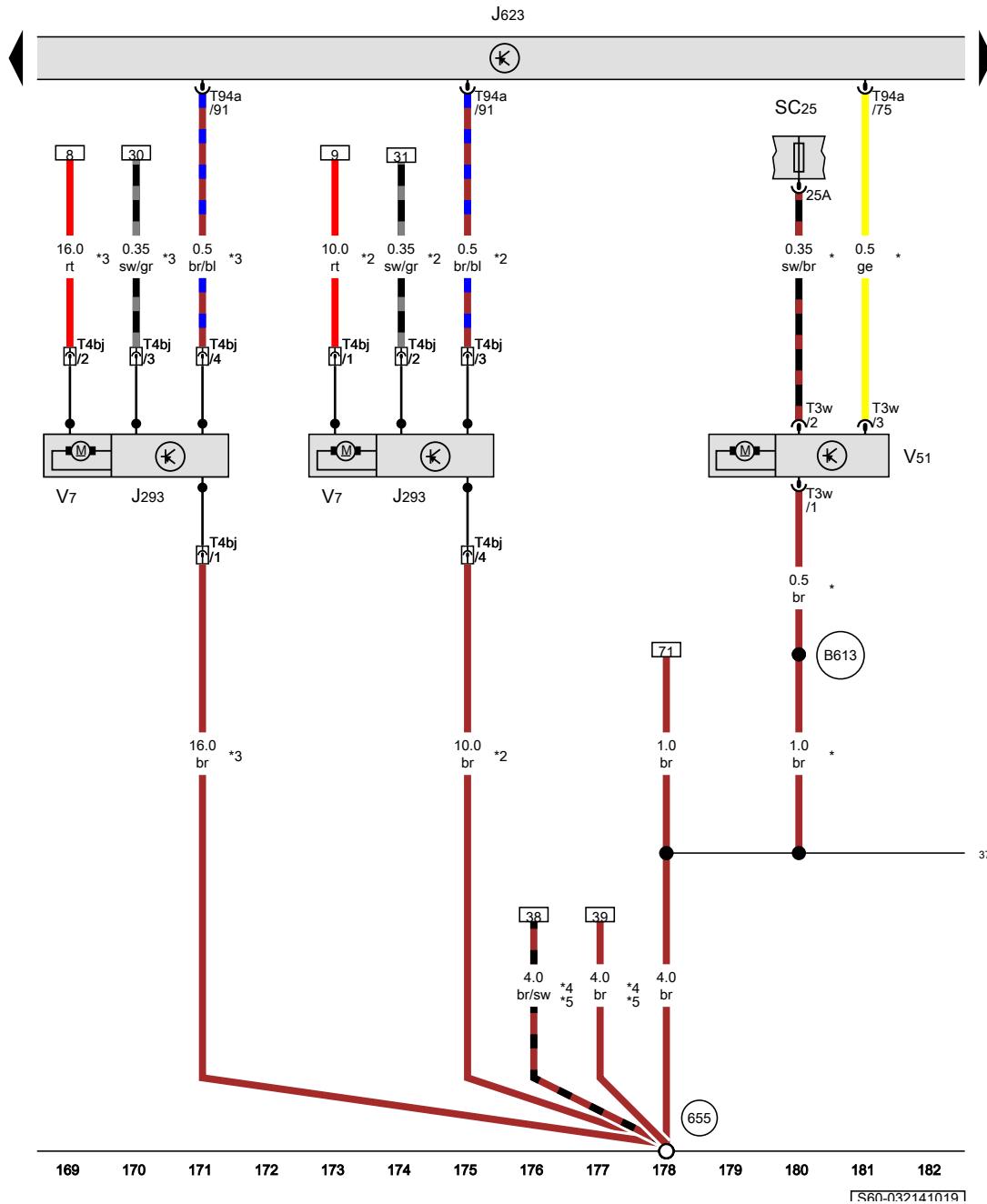
Throttle valve module, Fuel temperature sender, Fuel pressure sender, Regulating flap potentiometer, Engine/motor control unit

- GX3 Throttle valve module
- G69 Throttle valve potentiometer
- G81 Fuel temperature sender
- G247 Fuel pressure sender
- G584 Regulating flap potentiometer
- J338 Throttle valve module
- J623 Engine/motor control unit
- T3s 3-pin connector, black
- T3u 3-pin connector, black
- T5m 5-pin connector, black
- T60 60-pin connector, black
- D101 Connection 1 in engine compartment wiring harness
- D103 Connection 3 in engine compartment wiring harness

- ws = white
- sw = black
- ro = red
- rt = red
- br = brown
- gn = green
- bl = blue
- gr = grey
- li = purple
- vi = purple
- ge = yellow
- or = orange
- rs = pink

[S60-032131019]

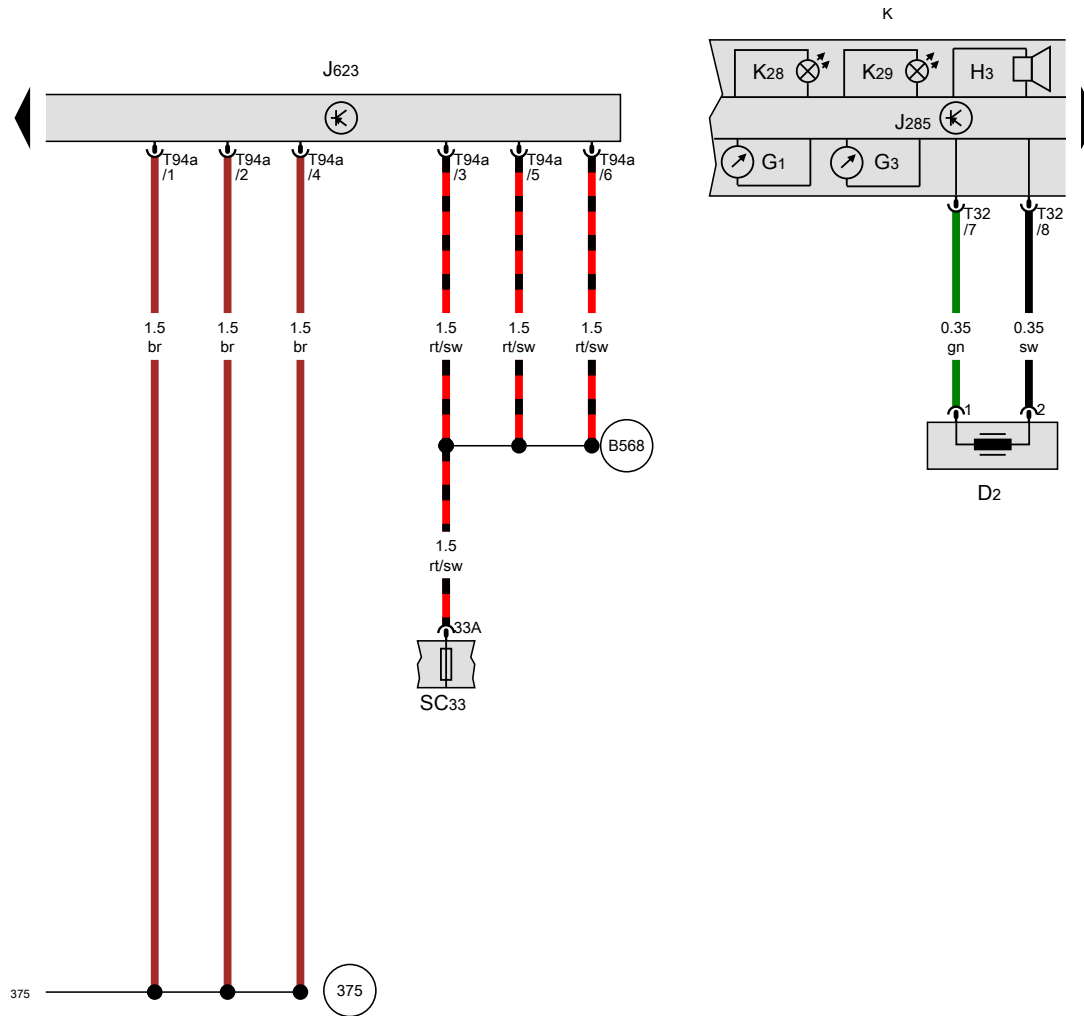
Radiator fan control unit, Engine/motor control unit, Fuse 25 on fuse holder C, Radiator fan, Continued coolant circulation pump



- J293 Radiator fan control unit
- J623 Engine/motor control unit
- SC25 Fuse 25 on fuse holder C
- T3w 3-pin connector, black
- T4bj 4-pin connector, black, on radiator cowling
- T94a 94-pin connector, black
- V7 Radiator fan
- V51 Continued coolant circulation pump
- 375 Earth connection 10, in main wiring harness
- 655 Earth point, on left headlight
- B613 Connection 41, in main wiring harness
- * For models with Euro 5 emission standard
- *2 For models with low fan output
- *3 For models with increased fan output
- *4 Wiring colour depends on equipment
- *5 see applicable current flow diagram for earthing concept

- ws = white
- sw = black
- ro = red
- rt = red
- br = brown
- gn = green
- bl = blue
- gr = grey
- li = purple
- vi = purple
- ge = yellow
- or = orange
- rs = pink

TS60-032141019

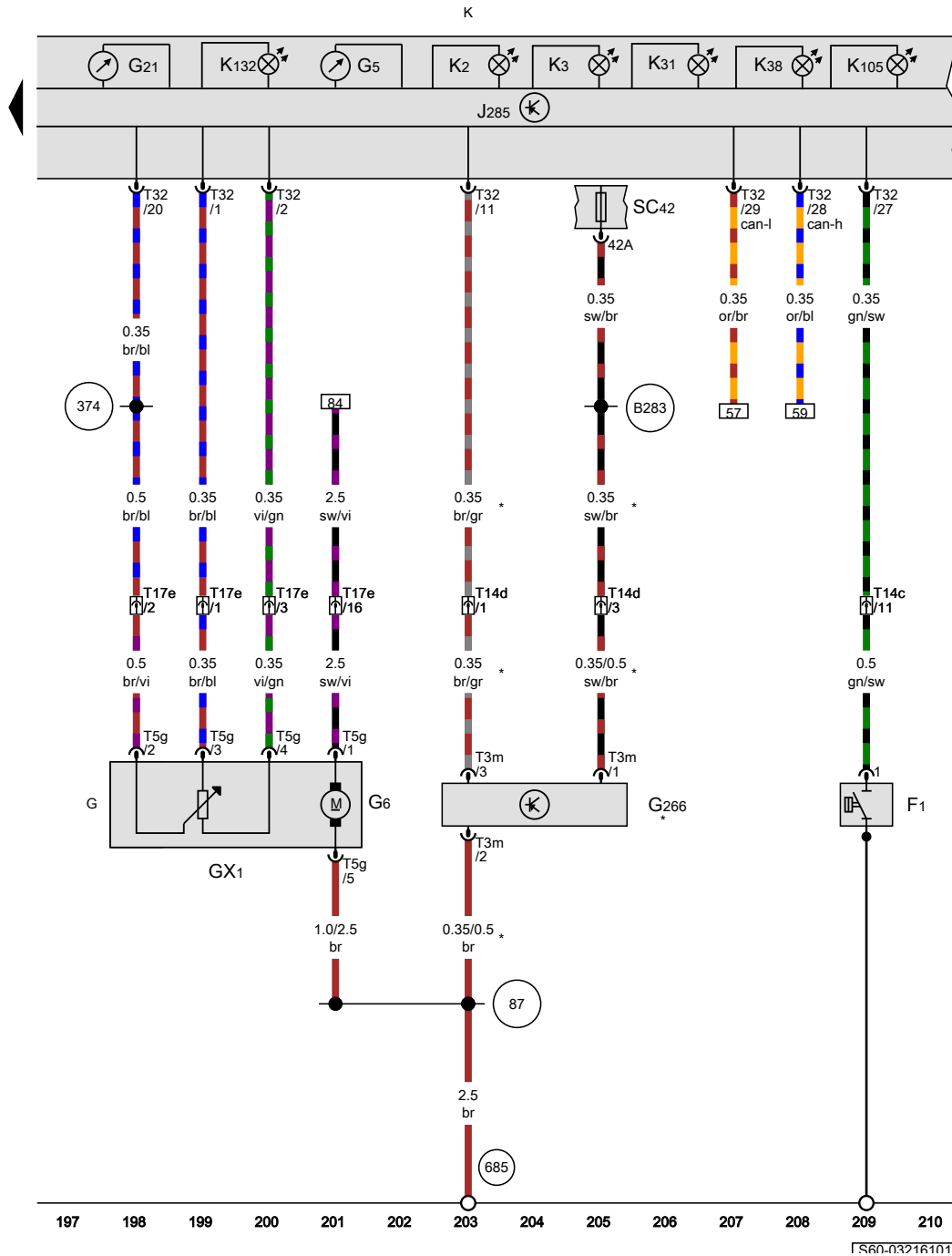


Engine/motor control unit, Dash panel insert, Fuse 33 on fuse holder C

- D2 Immobiliser reader coil
- G1 Fuel gauge
- G3 Coolant temperature gauge
- H3 Buzzer and gong
- J285 Control unit in dash panel insert
- J623 Engine/motor control unit
- K Dash panel insert
- K28 Coolant temperature and coolant shortage warning lamp
- K29 Glow period warning lamp
- SC33 Fuse 33 on fuse holder C
- T32 32-pin connector, blue
- T94a 94-pin connector, black

- 375 Earth connection 10, in main wiring harness
- B568 Connection 35, in main wiring harness

- ws = white
- sw = black
- ro = red
- rt = red
- br = brown
- gn = green
- bl = blue
- gr = grey
- li = purple
- vi = purple
- ge = yellow
- or = orange
- rs = pink



Oil pressure switch, Fuel system pressurisation pump, Oil level and oil temperature sender, Dash panel insert, Fuse 42 on fuse holder C

- F1 Oil pressure switch
- G Fuel gauge sender
- GX1 Fuel delivery unit
- G5 Rev. counter
- G6 Fuel system pressurisation pump
- G21 Speedometer
- G266 Oil level and oil temperature sender
- J285 Control unit in dash panel insert
- K Dash panel insert
- K2 Alternator warning lamp
- K3 Oil pressure warning lamp
- K31 Cruise control system warning lamp
- K38 Oil level warning lamp
- K105 Reserve fuel warning lamp
- K132 Electronic power control fault lamp
- SC42 Fuse 42 on fuse holder C
- T3m 3-pin connector, black
- T5g 5-pin connector, black
- T14c 14-pin connector, grey, near battery
- T14d 14-pin connector, black, near battery
- T17e 17-pin connector, red, near handbrake lever
- T32 32-pin connector, blue

- (87) Earth connection 2, in rear wiring harness
- (374) Earth connection 9, in main wiring harness
- (685) Earth point 1, on front of right longitudinal member
- (B283) Positive connection 7 (15a) in main wiring harness
- * According to equipment

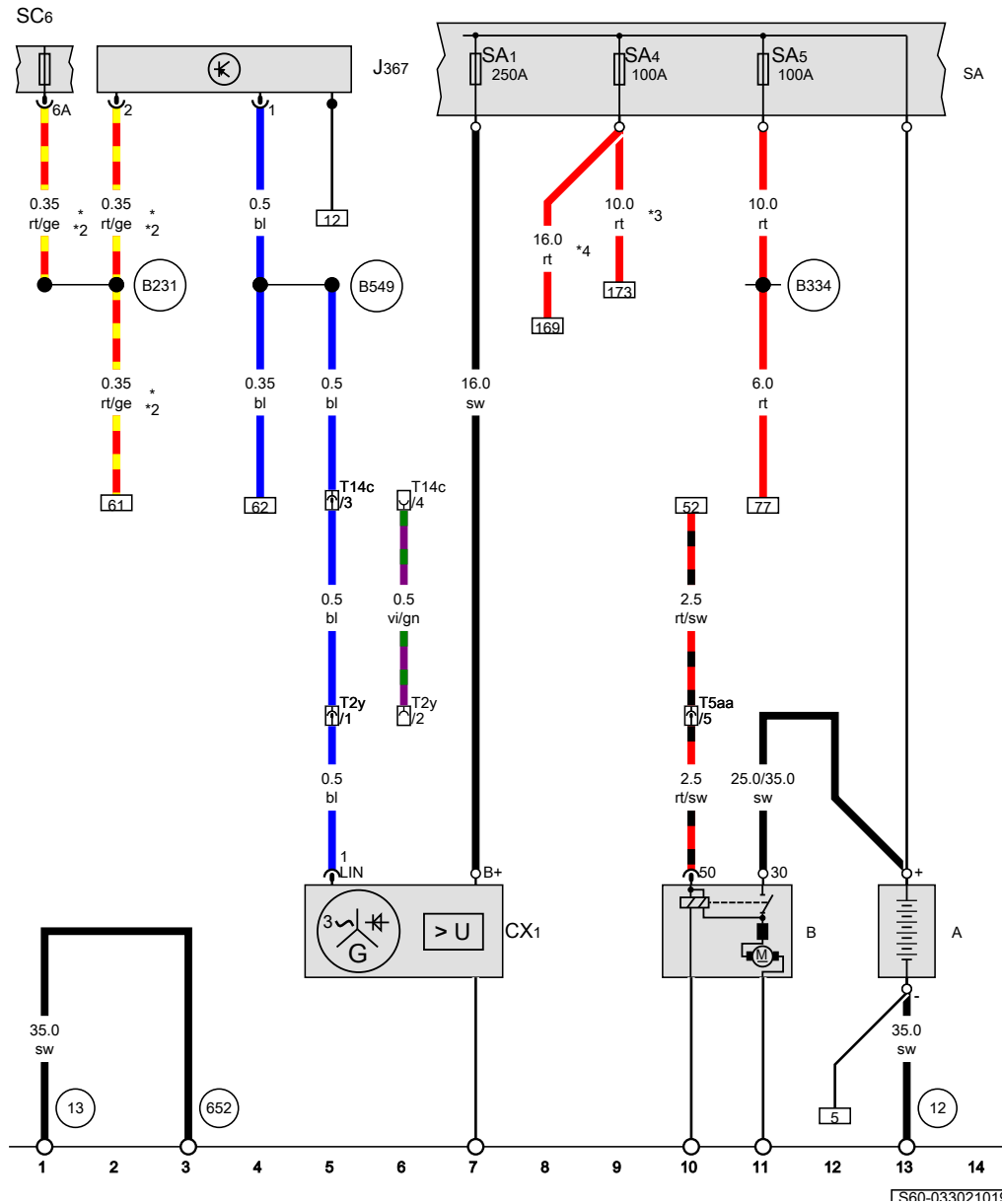
- ws = white
- sw = black
- ro = red
- rt = red
- br = brown
- gn = green
- bl = blue
- gr = grey
- li = purple
- vi = purple
- ge = yellow
- or = orange
- rs = pink

TS60-032161019

2.0l diesel engine with start/stop system , CNEA,CNEB,CSHA,(7L6)

From June 2016

Battery, Starter, Alternator with voltage regulator, Battery monitor control unit, Fuse holder A, Fuse 6 on fuse holder C

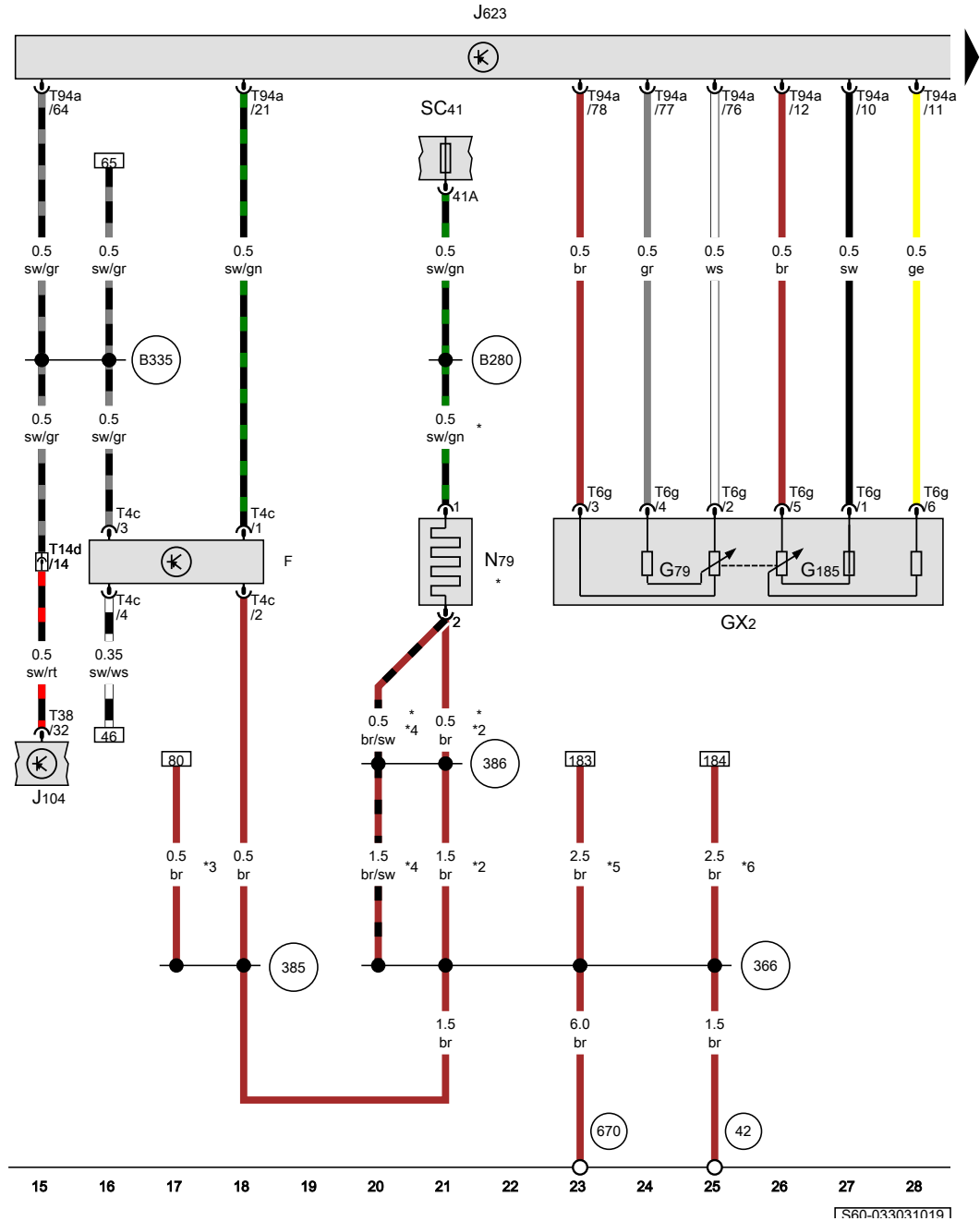


- A Battery
- B Starter
- CX1 Alternator with voltage regulator
- J367 Battery monitor control unit
- SA Fuse holder A
- SA1 Fuse 1 on fuse holder A
- SA4 Fuse 4 on fuse holder A
- SA5 Fuse 5 on fuse holder A
- SC6 Fuse 6 on fuse holder C
- T2y 2-pin connector, black, front left in engine compartment
- T5aa 5-pin connector, black, near battery
- T14c 14-pin connector, grey, near battery

- 12 Earth point, on left in engine compartment
- 13 Earth point, on right in engine compartment
- 652 Earth point, engine and gearbox earth
- B231 Positive connection 5 (30a), in interior wiring harness
- B334 Positive connection 20 (30a) in main wiring harness
- B549 Connection 2 (LIN bus) in main wiring harness
- * red
- *2 From January 2018
- *3 For models with low fan output
- *4 For models with increased fan output

- ws = white
- sw = black
- ro = red
- rt = red
- br = brown
- gn = green
- bl = blue
- gr = grey
- li = purple
- vi = purple
- ge = yellow
- or = orange
- rs = pink

1560-033021019



Brake light switch, Accelerator pedal module, Accelerator position sender, Accelerator position sender 2, ABS control unit, Engine/motor control unit, Heater element for crankcase breather, Fuse 41 on fuse holder C

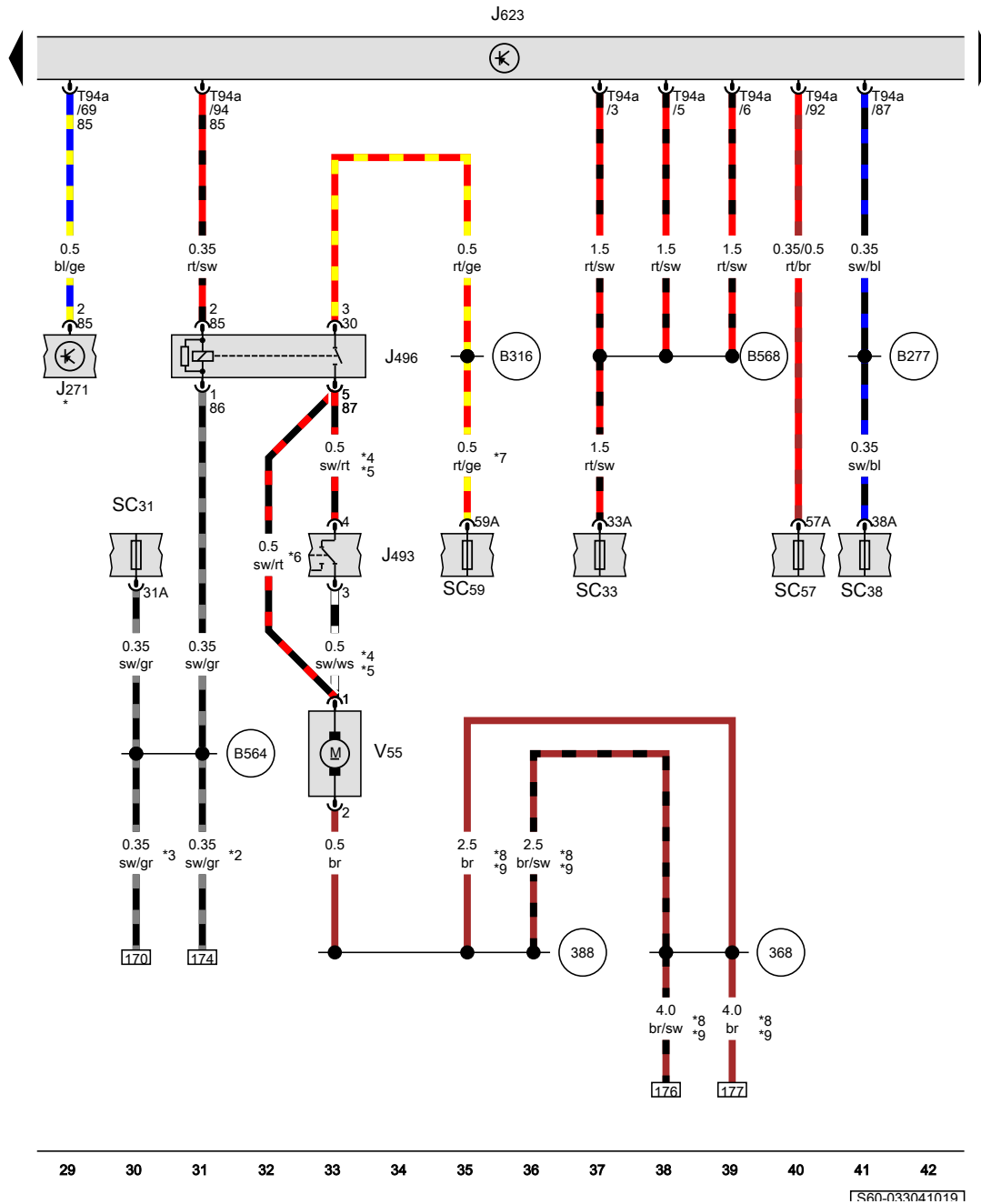
- F Brake light switch
- GX2 Accelerator pedal module
- G79 Accelerator position sender
- G185 Accelerator position sender 2
- J104 ABS control unit
- J623 Engine/motor control unit
- N79 Heater element for crankcase breather
- SC41 Fuse 41 on fuse holder C
- T4c 4-pin connector, black
- T6g 6-pin connector, black
- T14d 14-pin connector, black, near battery
- T38 38-pin connector, black
- T94a 94-pin connector, black

- (42) Earth point, next to steering column
- (366) Earth connection 1, in main wiring harness
- (385) Earth connection 20, in main wiring harness
- (386) Earth connection 21, in main wiring harness
- (670) Earth point 2, left A-pillar
- (B280) Positive connection 4 (15a) in main wiring harness
- (B335) Connection 1 (54), in main wiring harness

- * For models with crankcase breather heater element
- *2 Up to February 2017
- *3 For models with manual gearbox
- *4 From February 2017
- *5 Up to January 2018
- *6 From January 2018

- ws = white
- sw = black
- ro = red
- rt = red
- br = brown
- gn = green
- bl = blue
- gr = grey
- li = purple
- vi = purple
- ge = yellow
- or = orange
- rs = pink

1S60-0330310191



Main relay, Auxiliary coolant heater relay, Additional coolant pump relay, Engine/motor control unit, Fuse 31 on fuse holder C, Fuse 33 on fuse holder C, Fuse 38 on fuse holder C, Fuse 57 on fuse holder C, Fuse 59 on fuse holder C, Circulation pump

- J271 Main relay, on relay carrier
- J493 Auxiliary coolant heater relay, on relay carrier
- J496 Additional coolant pump relay, on relay carrier
- J623 Engine/motor control unit
- SC31 Fuse 31 on fuse holder C
- SC33 Fuse 33 on fuse holder C
- SC38 Fuse 38 on fuse holder C
- SC57 Fuse 57 on fuse holder C
- SC59 Fuse 59 on fuse holder C
- T94a 94-pin connector, black
- V55 Circulation pump

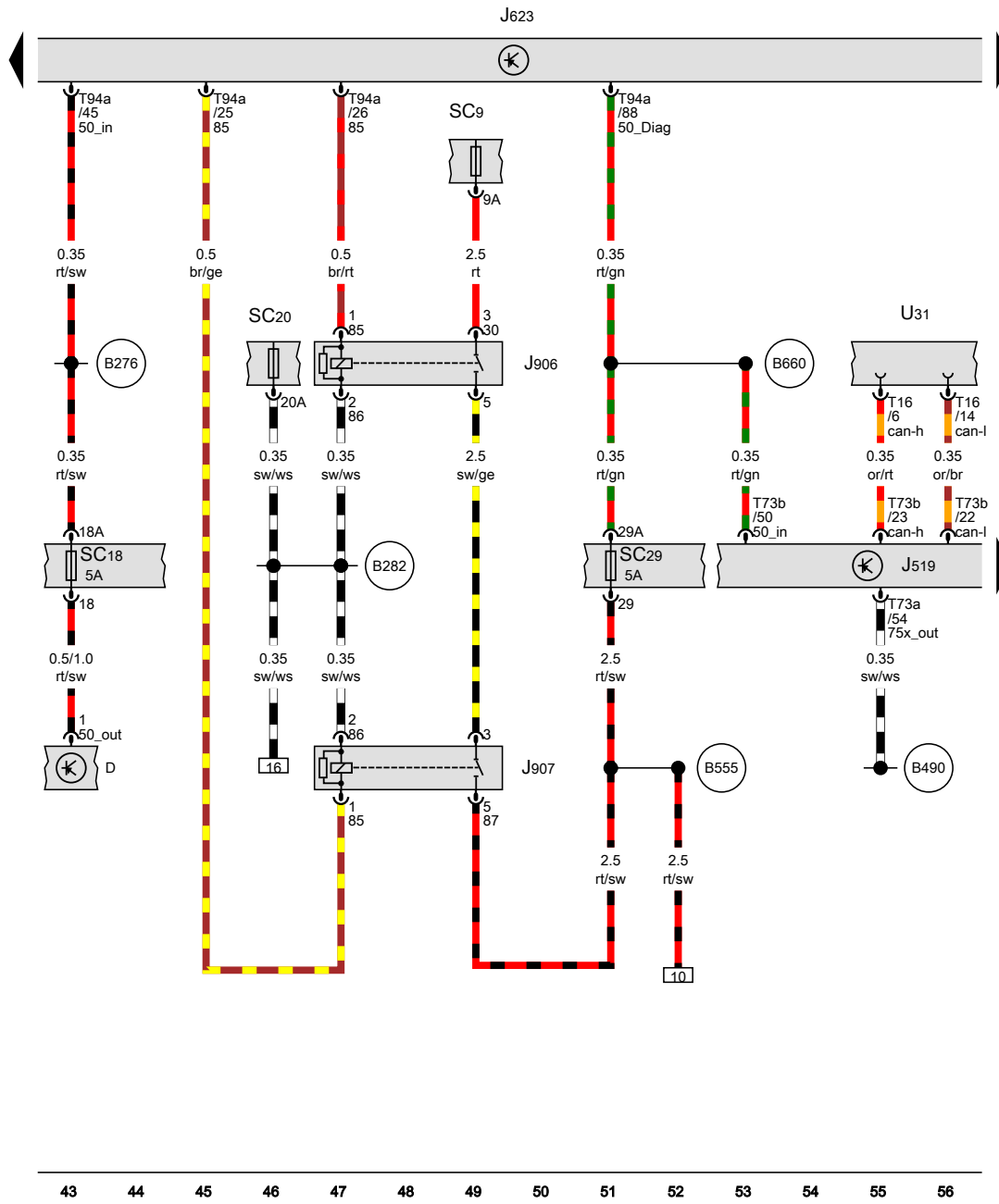
- 368 Earth connection 3, in main wiring harness
- 388 Earth connection 23, in main wiring harness
- B277 Positive connection 1 (15a) in main wiring harness
- B316 Positive connection 2 (30a) in main wiring harness
- B564 Connection 31, in main wiring harness
- B568 Connection 35, in main wiring harness

- * see applicable current flow diagram for fuse assignment
- *2 For models with low fan output
- *3 For models with increased fan output
- *4 For models with Climatronic
- *5 For models with Climatic
- *6 For models with no air conditioning system
- *7 Cross-section 1.5 possible
- *8 Wiring colour depends on equipment
- *9 see applicable current flow diagram for earthing concept

- ws = white
- sw = black
- ro = red
- rt = red
- br = brown
- gn = green
- bl = blue
- gr = grey
- li = purple
- vi = purple
- ge = yellow
- or = orange
- rs = pink

29 30 31 32 33 34 35 36 37 38 39 40 41 42

1S60-0330410191



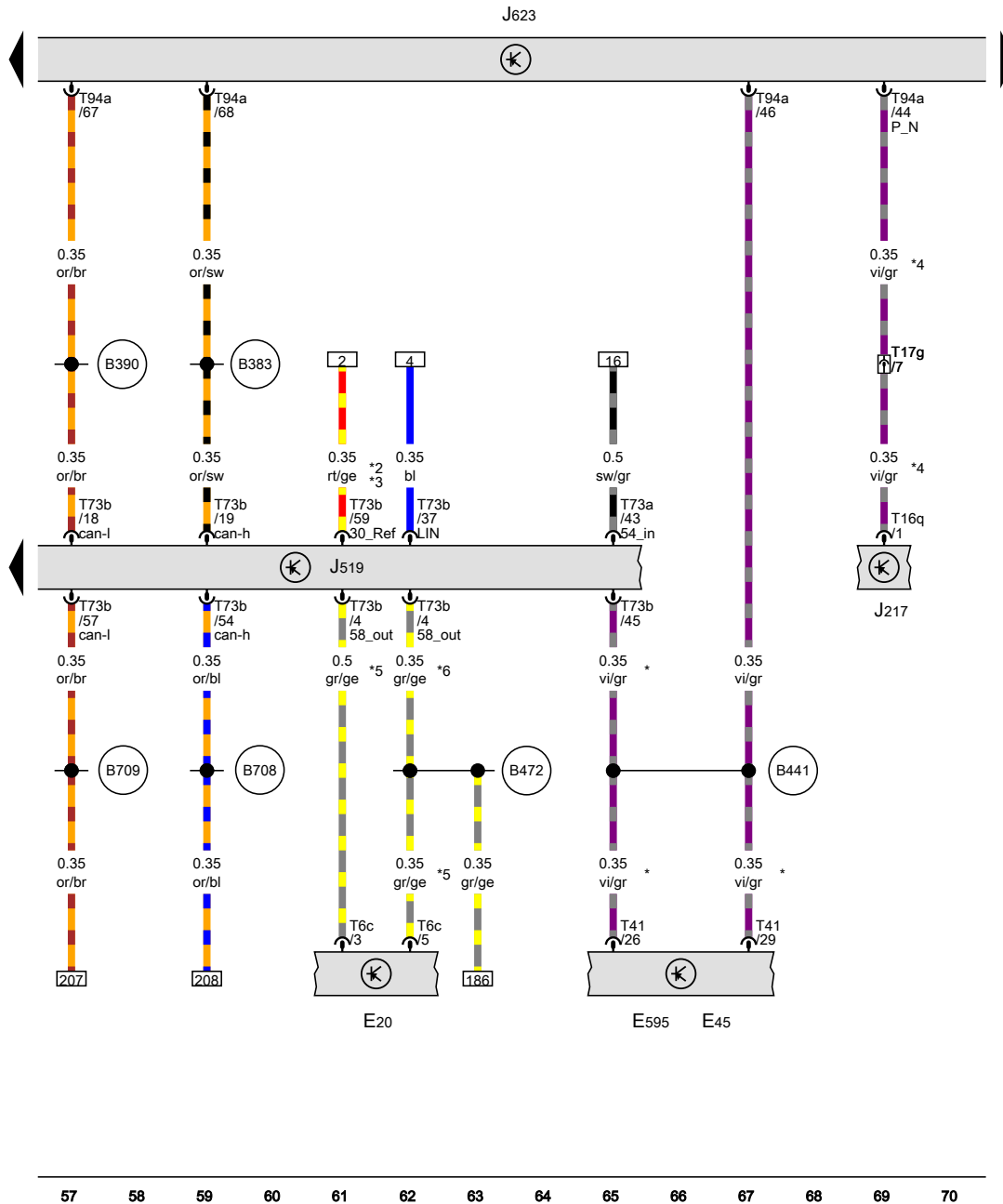
Ignition/starter switch, Onboard supply control unit, Engine/motor control unit, Starter relay 1, Starter relay 2, Fuse 9 on fuse holder C, Fuse 18 on fuse holder C, Fuse 20 on fuse holder C, Diagnostic connection

- D Ignition/starter switch
 - J519 Onboard supply control unit
 - J623 Engine/motor control unit
 - J906 Starter relay 1
 - J907 Starter relay 2
 - SC9 Fuse 9 on fuse holder C
 - SC18 Fuse 18 on fuse holder C
 - SC20 Fuse 20 on fuse holder C
 - SC29 Fuse 29 on fuse holder C
 - T16 16-pin connector, black
 - T73a 73-pin connector, black
 - T73b 73-pin connector, colourless
 - T94a 94-pin connector, black
 - U31 Diagnostic connection
- (B276) Positive connection (50), in main wiring harness
 - (B282) Positive connection 6 (15a) in main wiring harness
 - (B490) Connection 26, in main wiring harness
 - (B555) Positive connection 2 (50), in main wiring harness
 - (B660) Connection (diagnosis terminal 50), in main wiring harness

- ws = white
- sw = black
- ro = red
- rt = red
- br = brown
- gn = green
- bl = blue
- gr = grey
- li = purple
- vi = purple
- ge = yellow
- or = orange
- rs = pink

43 44 45 46 47 48 49 50 51 52 53 54 55 56

[S60-033051019]



Switch and instrument illumination regulator, Cruise control system switch, Steering column combination switch, Automatic gearbox control unit, Onboard supply control unit, Engine/motor control unit

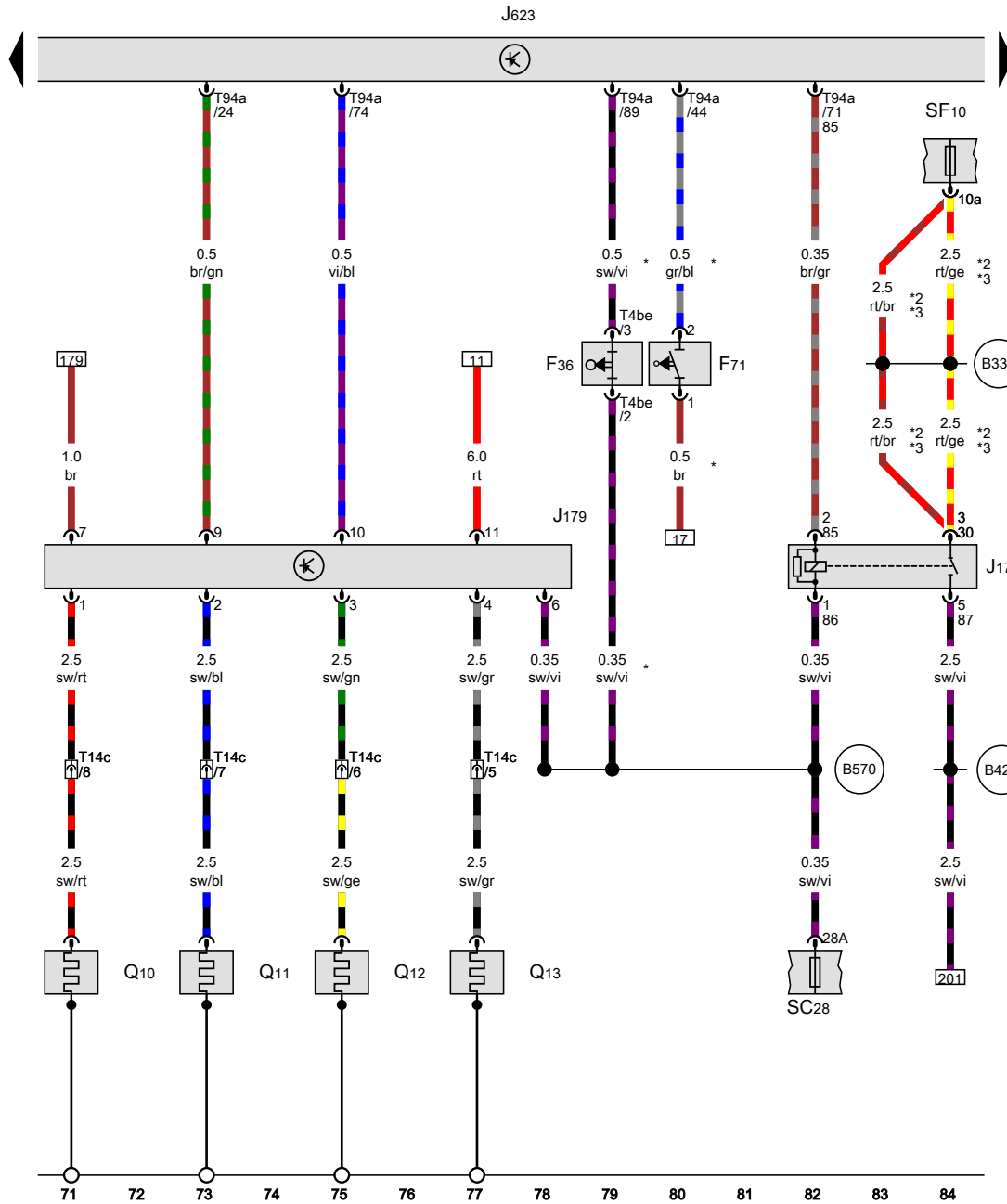
- E20 Switch and instrument illumination regulator
- E45 Cruise control system switch
- E595 Steering column combination switch
- J217 Automatic gearbox control unit
- J519 Onboard supply control unit
- J623 Engine/motor control unit
- T6c 6-pin connector, black
- T16q 16-pin connector, black
- T17g 17-pin connector, black, near handbrake lever
- T41 41-pin connector, grey
- T73a 73-pin connector, black
- T73b 73-pin connector, colourless
- T94a 94-pin connector, black

- (B383) Connection 1 (powertrain CAN bus, high), in main wiring harness
- (B390) Connection 1 (powertrain CAN bus, low), in main wiring harness
- (B441) Connection (CCS), in main wiring harness
- (B472) Connection 8, in main wiring harness
- (B708) Connection 1 (dash panel insert CAN bus high) in main wiring harness
- (B709) Connection 1 (dash panel insert CAN bus low) in main wiring harness
- * For models with cruise control system (CCS)
- *2 red
- *3 From January 2018
- *4 For models with automatic gearbox
- *5 For models with dimmable instrument illumination
- *6 For models with no dimmable instrument illumination

- ws = white
- sw = black
- ro = red
- rt = red
- br = brown
- gn = green
- bl = blue
- gr = grey
- li = purple
- vi = purple
- ge = yellow
- or = orange
- rs = pink

57 58 59 60 61 62 63 64 65 66 67 68 69 70

1S60-033061019

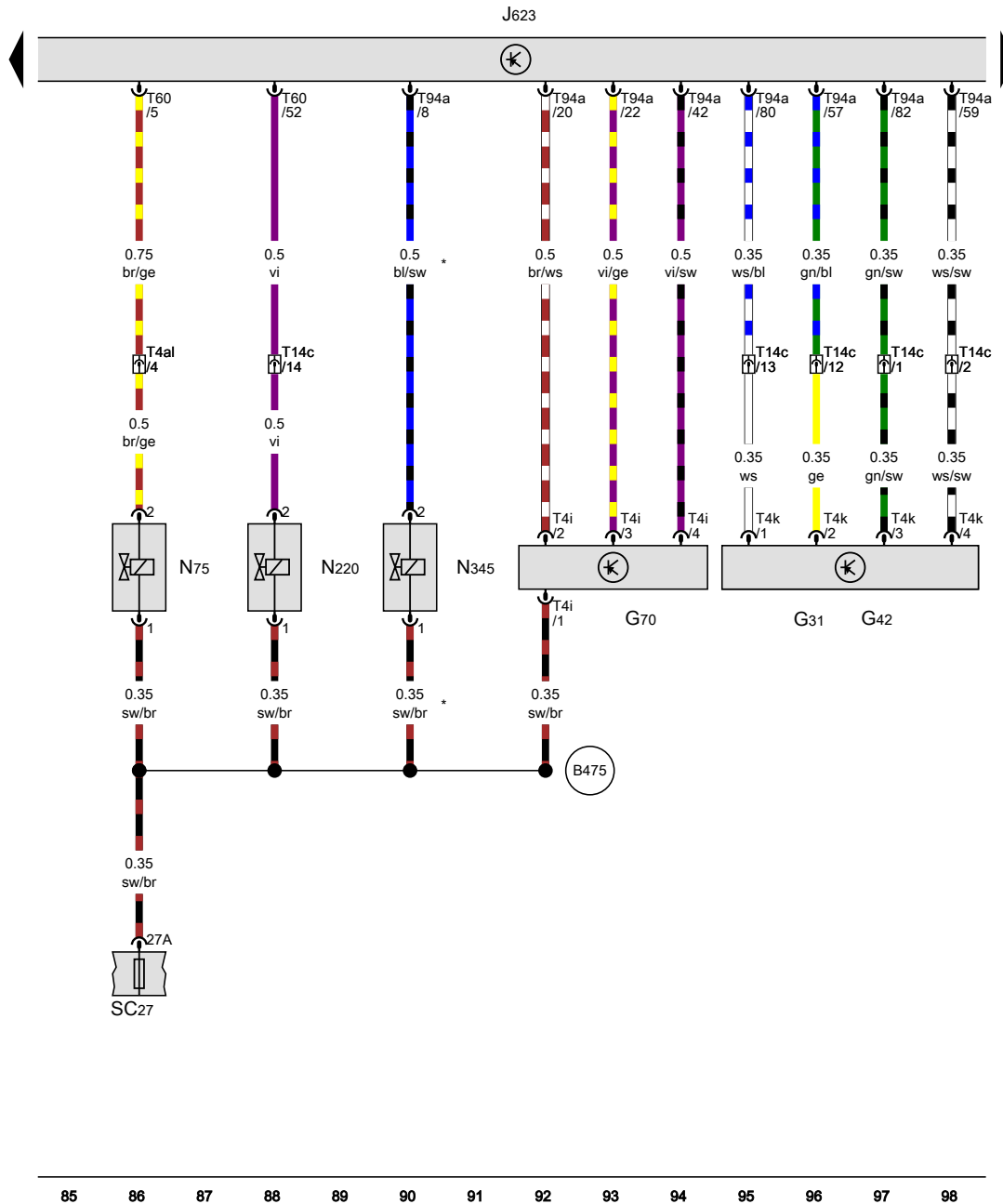


Clutch pedal switch, Clutch pedal switch for stop/start system, Fuel pump relay, Automatic glow period control unit, Engine/motor control unit, Glow plug 1, Glow plug 2, Glow plug 3, Glow plug 4, Fuse 10 in fuse holder F, Fuse 28 on fuse holder C

- F36 Clutch pedal switch
- F71 Clutch pedal switch for stop/start system
- J17 Fuel pump relay
- J179 Automatic glow period control unit
- J623 Engine/motor control unit
- Q10 Glow plug 1
- Q11 Glow plug 2
- Q12 Glow plug 3
- Q13 Glow plug 4
- SF10 Fuse 10 in fuse holder F
- SC28 Fuse 28 on fuse holder C
- T4be 4-pin connector, black
- T14c 14-pin connector, grey, near battery
- T94a 94-pin connector, black
- B332 Positive connection 18 (30a) in main wiring harness
- B429 Connection (EFPR), in main wiring harness
- B570 Connection 37, in main wiring harness
- * For models with manual gearbox
- *2 Wiring colour depends on equipment
- *3 see applicable current flow diagram for fuse assignment

- ws = white
- sw = black
- ro = red
- rt = red
- br = brown
- gn = green
- bl = blue
- gr = grey
- li = purple
- vi = purple
- ge = yellow
- or = orange
- rs = pink

1S60-0330710191



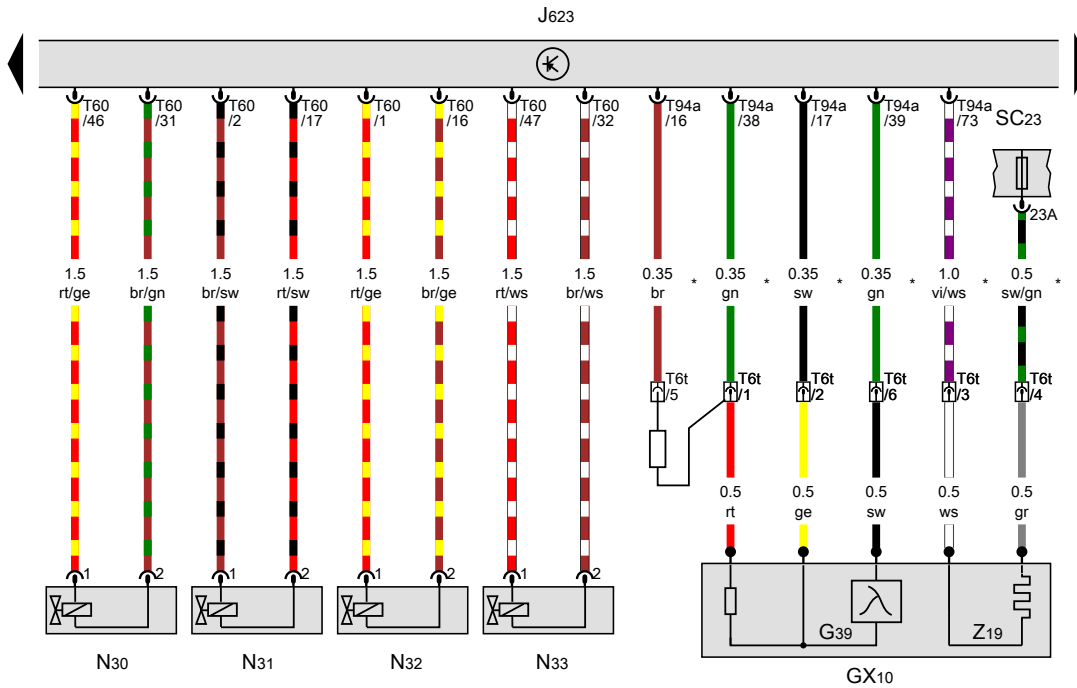
Charge pressure sender, Intake air temperature sender, Air mass meter, Engine/motor control unit, Charge pressure control solenoid valve, Exhaust flap valve, Exhaust gas recirculation cooler changeover valve, Fuse 27 on fuse holder C

- G31 Charge pressure sender
- G42 Intake air temperature sender
- G70 Air mass meter
- J623 Engine/motor control unit
- N75 Charge pressure control solenoid valve
- N220 Exhaust flap valve
- N345 Exhaust gas recirculation cooler changeover valve
- SC27 Fuse 27 on fuse holder C
- T4al 4-pin connector, black, near battery
- T4i 4-pin connector, black, black
- T4k 4-pin connector, black
- T14c 14-pin connector, grey, near battery
- T60 60-pin connector, black
- T94a 94-pin connector, black

B475 Connection 11, in main wiring harness

* For models with Euro 5 emission standard

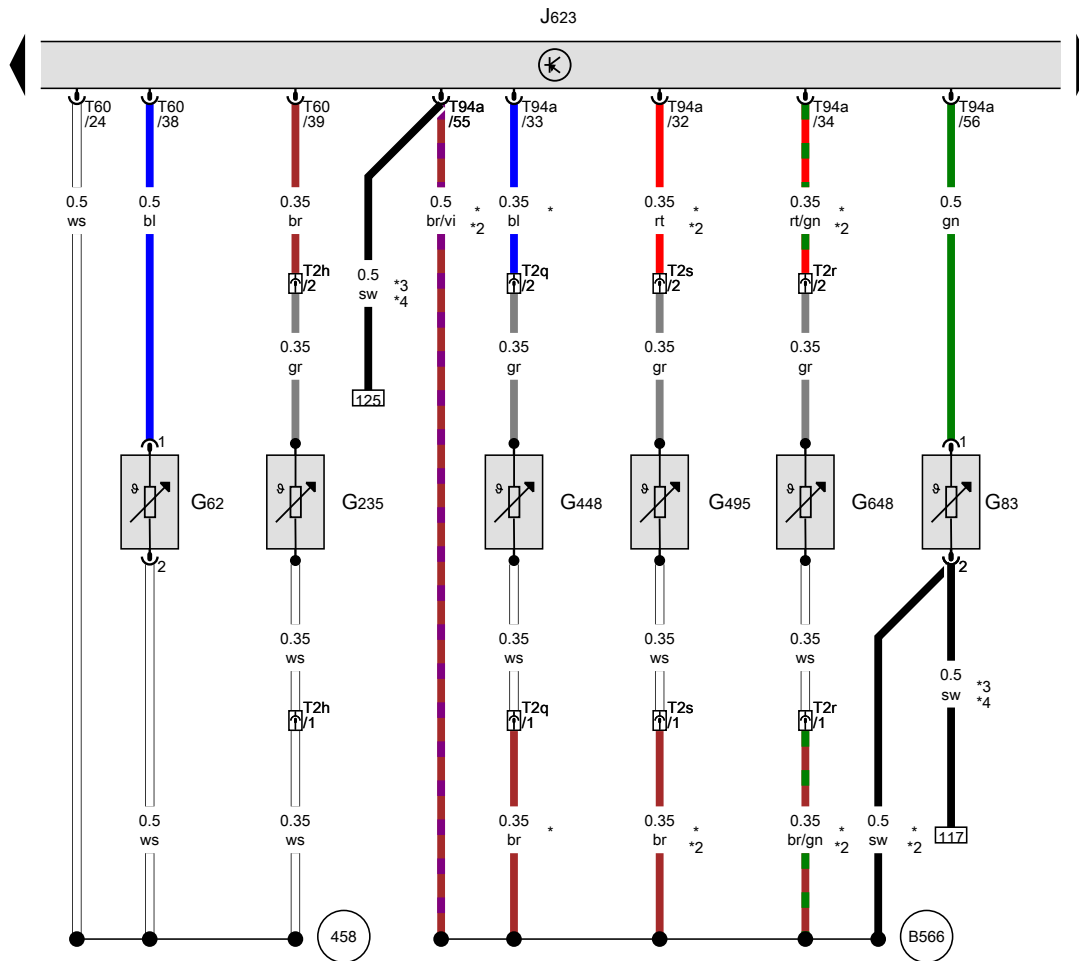
- ws = white
- sw = black
- ro = red
- rt = red
- br = brown
- gn = green
- bl = blue
- gr = grey
- li = purple
- vi = purple
- ge = yellow
- or = orange
- rs = pink



Lambda probe 1 before catalytic converter, Engine/motor control unit, Injector, cylinder 1, Injector, cylinder 2, Injector, cylinder 3, Injector, cylinder 4, Fuse 23 on fuse holder C

- GX10 Lambda probe 1 before catalytic converter
- G39 Lambda probe
- J623 Engine/motor control unit
- N30 Injector, cylinder 1
- N31 Injector, cylinder 2
- N32 Injector, cylinder 3
- N33 Injector, cylinder 4
- SC23 Fuse 23 on fuse holder C
- T6t 6-pin connector, black, front right in engine compartment
- T60 60-pin connector, black
- T94a 94-pin connector, black
- Z19 Lambda probe heater
- * For models with Euro 5 emission standard

- ws = white
- sw = black
- ro = red
- rt = red
- br = brown
- gn = green
- bl = blue
- gr = grey
- li = purple
- vi = purple
- ge = yellow
- or = orange
- rs = pink



Coolant temperature sender, Radiator outlet coolant temperature sender, Exhaust gas temperature sender 1, Exhaust gas temperature sender 2, Exhaust gas temperature sender 3, Exhaust gas temperature sender 4, Engine/motor control unit

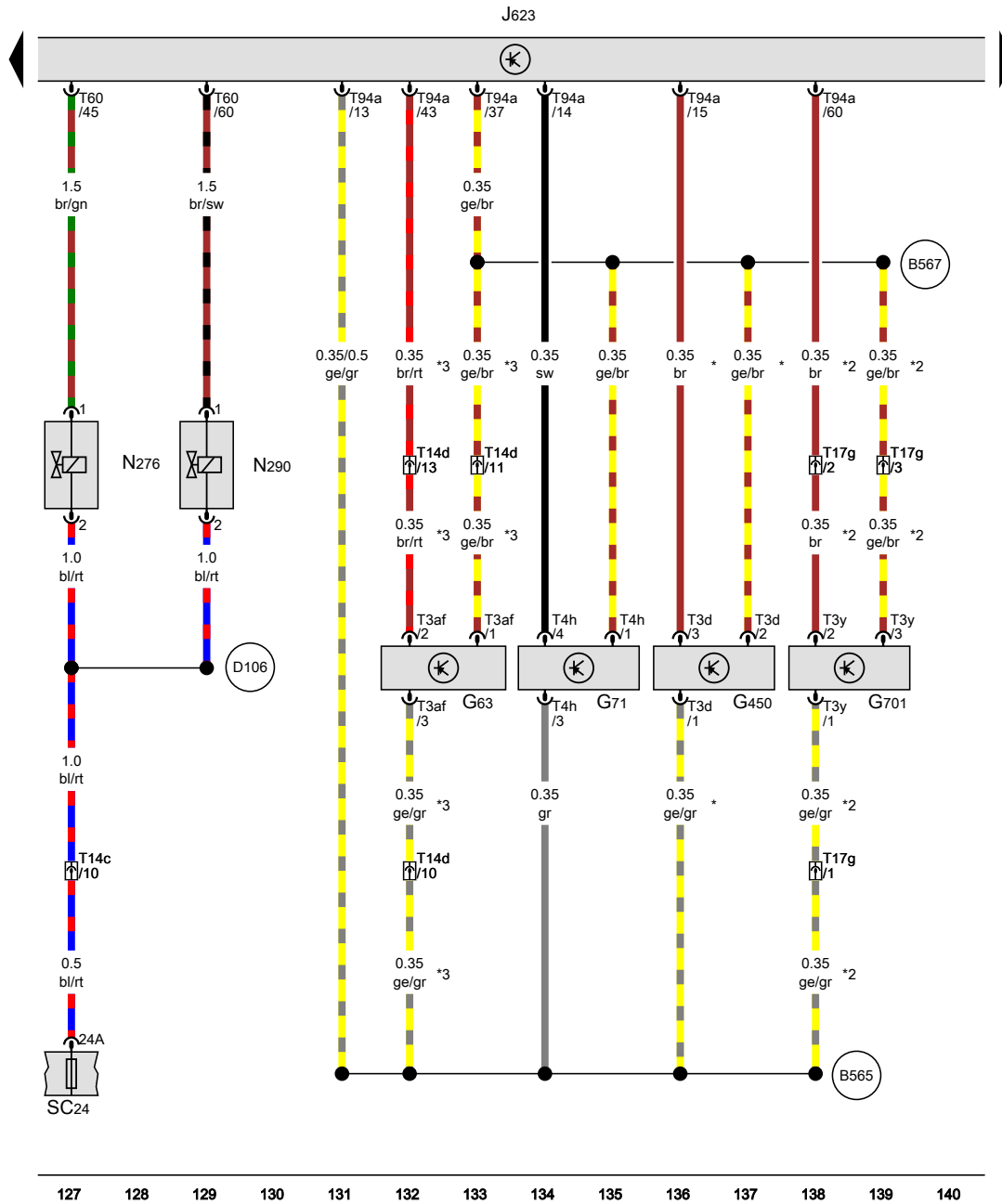
- G62 Coolant temperature sender
- G83 Radiator outlet coolant temperature sender
- G235 Exhaust gas temperature sender 1
- G448 Exhaust gas temperature sender 2
- G495 Exhaust gas temperature sender 3
- G648 Exhaust gas temperature sender 4
- J623 Engine/motor control unit
- T2h 2-pin connector, black, near exhaust gas recirculation
- T2q 2-pin connector, black, near right headlight
- T2r 2-pin connector, light brown, near right headlight
- T2s 2-pin connector, brown, near right headlight
- T60 60-pin connector, black
- T94a 94-pin connector, black

458 Earth point 3, engine prewiring harness

B566 Connection 33, in main wiring harness

- * For emission standard PL 6 BR
- *2 For models with Euro 5 plus emission standard
- *3 For models with Euro 3 emission standard
- *4 For models with Euro 4 emission standard

- ws = white
- sw = black
- ro = red
- rt = red
- br = brown
- gn = green
- bl = blue
- gr = grey
- li = purple
- vi = purple
- ge = yellow
- or = orange
- rs = pink

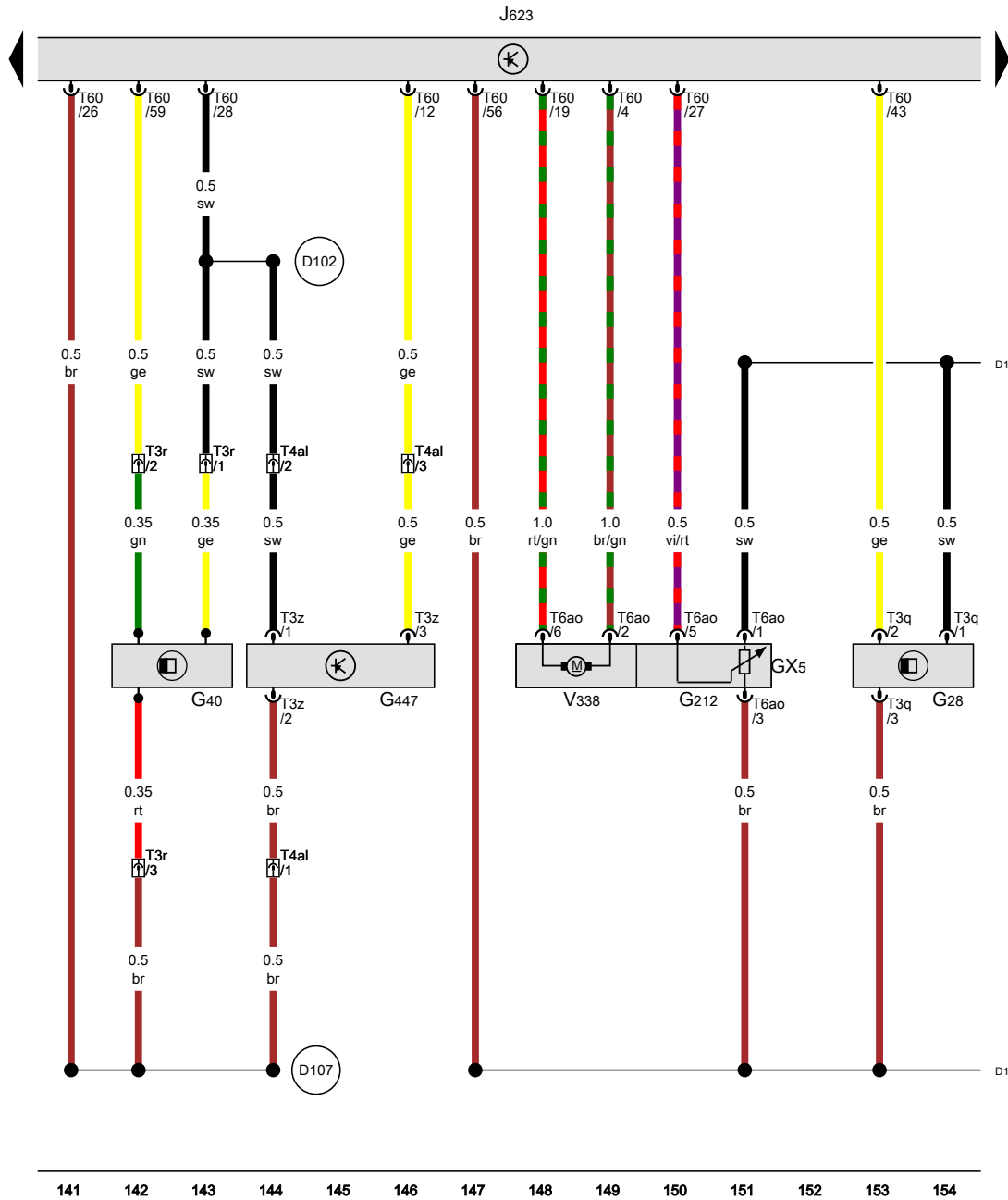


Water separator sender, Intake manifold pressure sender, Exhaust gas pressure sensor 1, Gearbox neutral position sender, Engine/motor control unit, Fuel pressure regulating valve, Fuel metering valve, Fuse 24 on fuse holder C

- G63 Water separator sender
- G71 Intake manifold pressure sender
- G450 Exhaust gas pressure sensor 1
- G701 Gearbox neutral position sender
- J623 Engine/motor control unit
- N276 Fuel pressure regulating valve
- N290 Fuel metering valve
- SC24 Fuse 24 on fuse holder C
- T3af 3-pin connector, brown, near fuel filter
- T3d 3-pin connector, black
- T3y 3-pin connector, black
- T4h 4-pin connector, black
- T14c 14-pin connector, grey, near battery
- T14d 14-pin connector, grey, near battery
- T17g 17-pin connector, black, near handbrake lever
- T60 60-pin connector, black
- T94a 94-pin connector, black
- (B565) Connection 32, in main wiring harness
- (B567) Connection 34, in main wiring harness
- (D106) Connection 4 in engine compartment wiring harness
- * For models with Euro 5 emission standard
- *2 For models with manual gearbox
- *3 Country specific

- ws = white
- sw = black
- ro = red
- rt = red
- br = brown
- gn = green
- bl = blue
- gr = grey
- li = purple
- vi = purple
- ge = yellow
- or = orange
- rs = pink

[S60-033111019]



Exhaust gas recirculation valve 1, Engine speed sender, Hall sender, Charge pressure sender 2, Engine/motor control unit

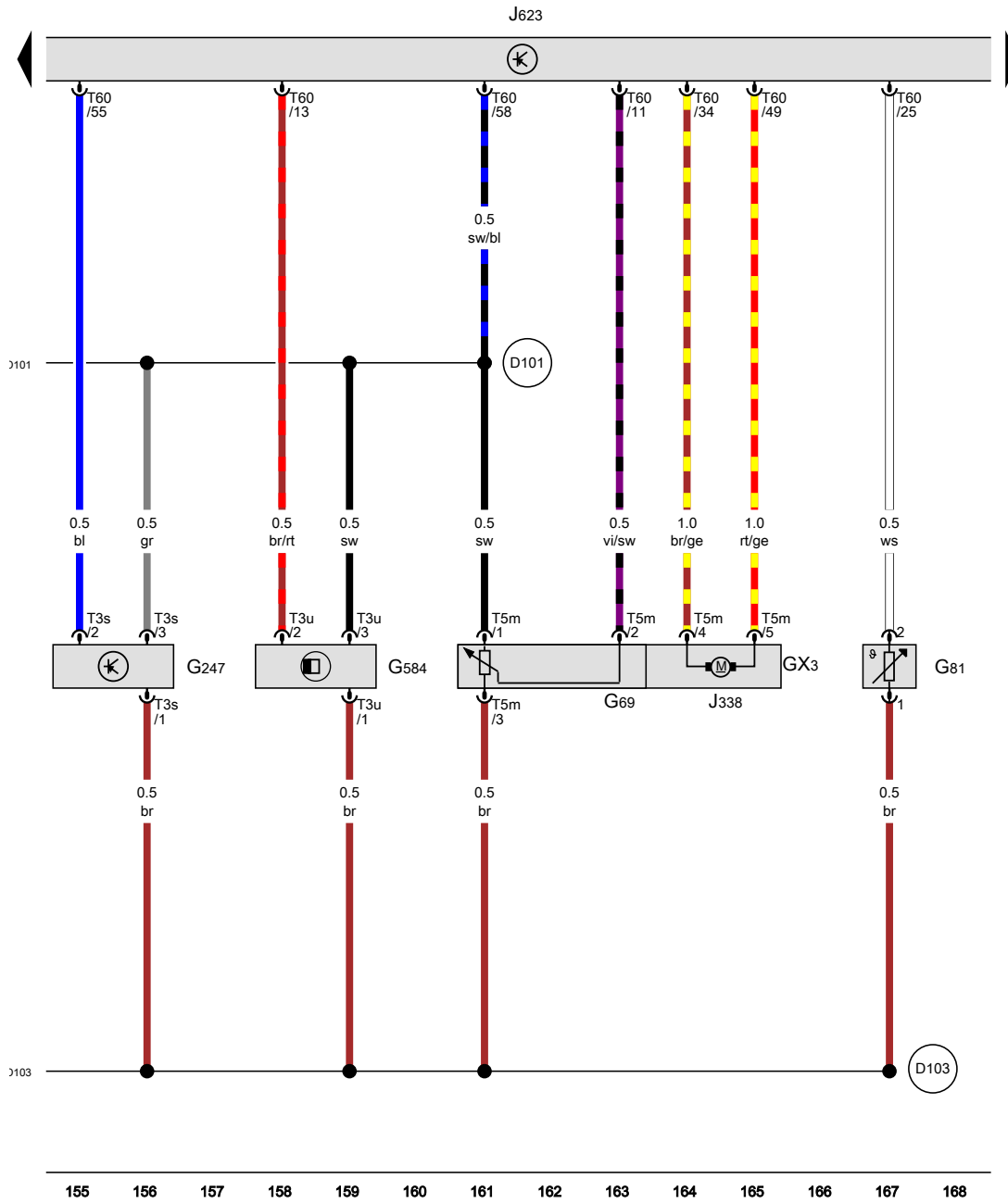
- GX5 Exhaust gas recirculation valve 1
- G28 Engine speed sender
- G40 Hall sender
- G212 Exhaust gas recirculation potentiometer
- G447 Charge pressure sender 2
- J623 Engine/motor control unit
- T3q 3-pin connector, black
- T3r 3-pin connector, black, on front of engine
- T3z 3-pin connector, black
- T4al 4-pin connector, black, near battery
- T6ao 6-pin connector, grey
- T60 60-pin connector, black
- V338 Exhaust gas recirculation control motor

- D101 Connection 1 in engine compartment wiring harness
- D102 Connection 2 in engine compartment wiring harness
- D103 Connection 3 in engine compartment wiring harness
- D107 Connection 5 in engine compartment wiring harness

- ws = white
- sw = black
- ro = red
- rt = red
- br = brown
- gn = green
- bl = blue
- gr = grey
- li = purple
- vi = purple
- ge = yellow
- or = orange
- rs = pink

141 142 143 144 145 146 147 148 149 150 151 152 153 154

[S60-033121019]



Throttle valve module, Fuel temperature sender, Fuel pressure sender, Regulating flap potentiometer, Engine/motor control unit

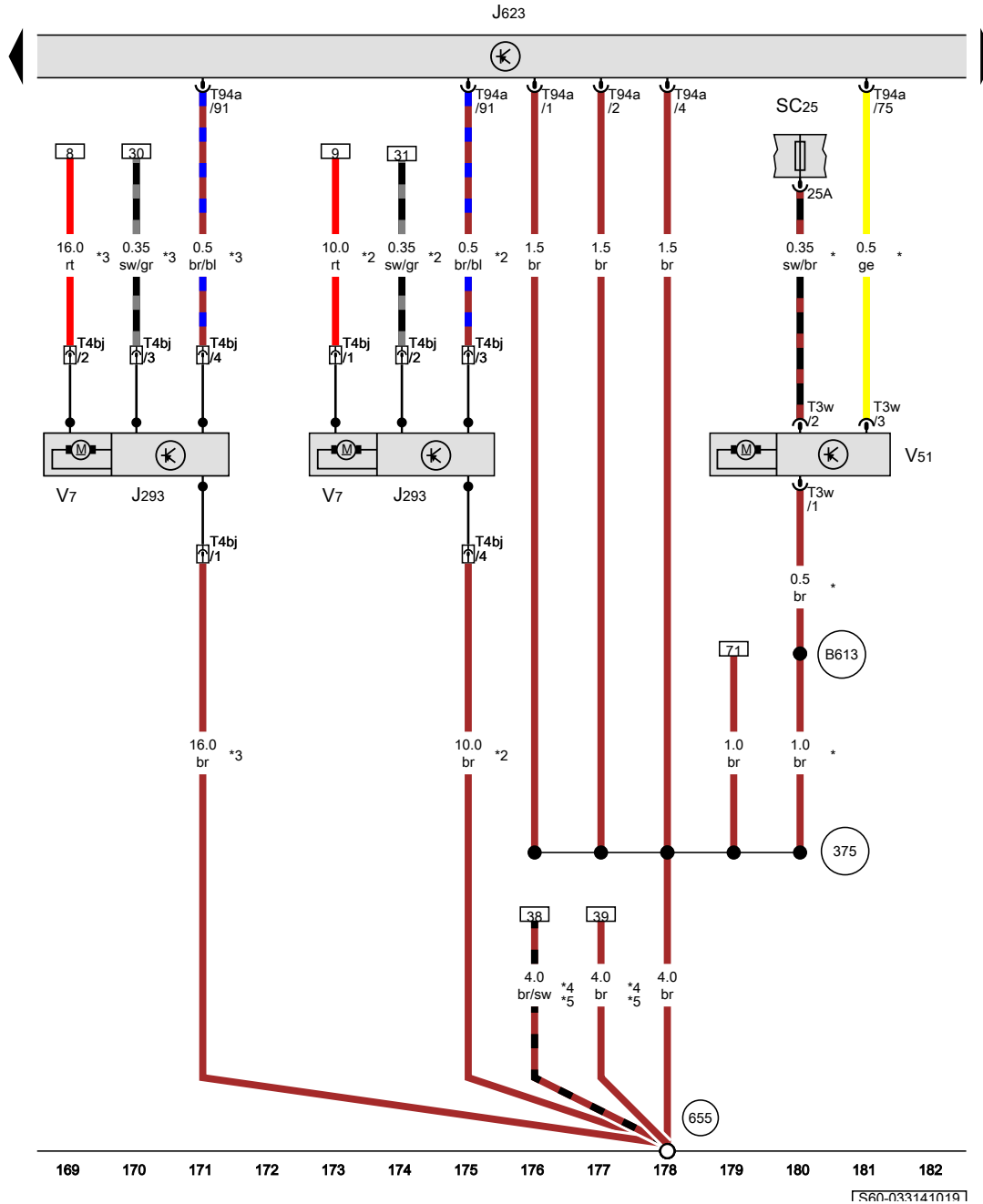
- GX3 Throttle valve module
- G69 Throttle valve potentiometer
- G81 Fuel temperature sender
- G247 Fuel pressure sender
- G584 Regulating flap potentiometer
- J338 Throttle valve module
- J623 Engine/motor control unit
- T3s 3-pin connector, black
- T3u 3-pin connector, black
- T5m 5-pin connector, black
- T60 60-pin connector, black

- D101 Connection 1 in engine compartment wiring harness
- D103 Connection 3 in engine compartment wiring harness

- ws = white
- sw = black
- ro = red
- rt = red
- br = brown
- gn = green
- bl = blue
- gr = grey
- li = purple
- vi = purple
- ge = yellow
- or = orange
- rs = pink

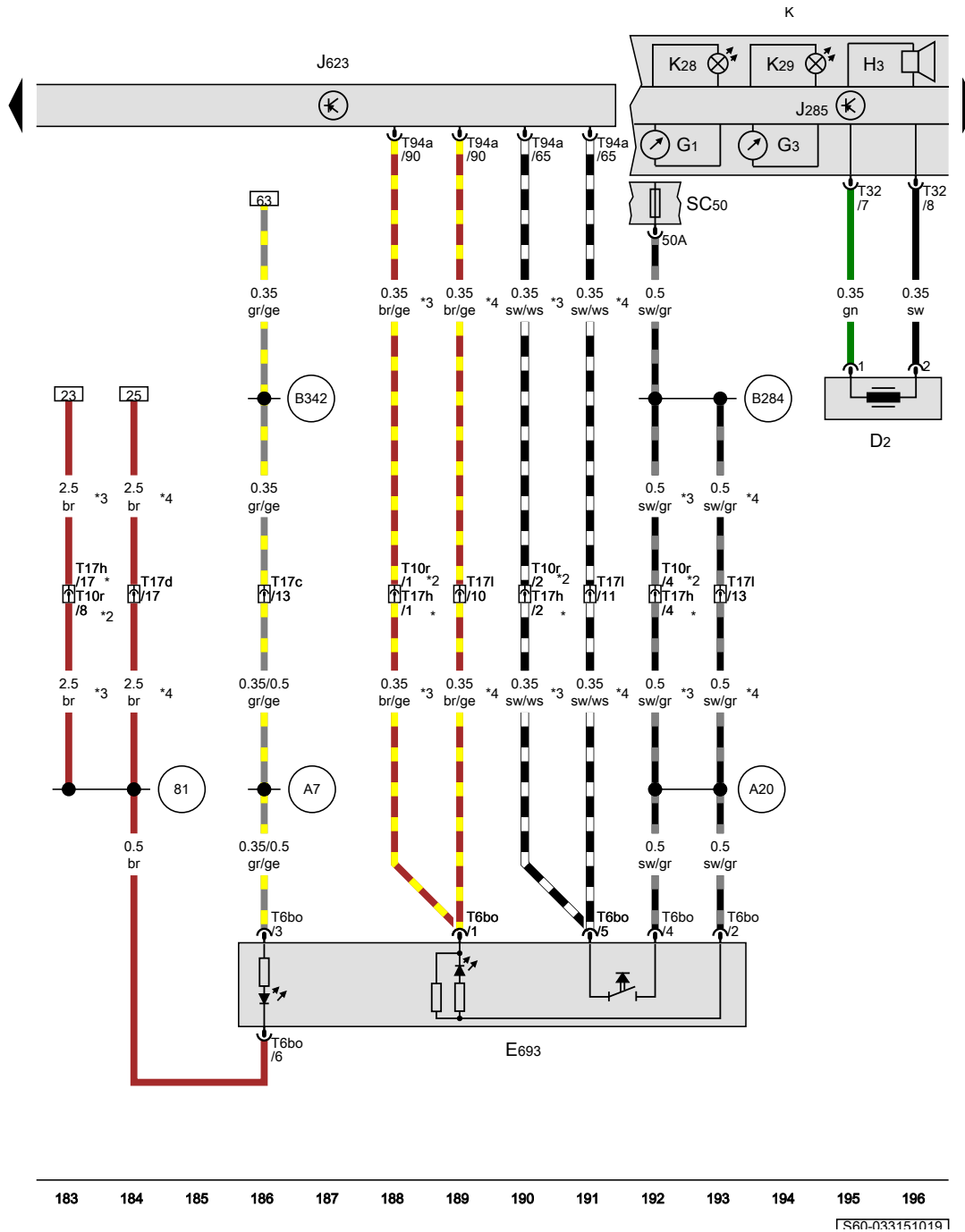
155 156 157 158 159 160 161 162 163 164 165 166 167 168
[S60-033131019]

Radiator fan control unit, Engine/motor control unit, Fuse 25 on fuse holder C, Radiator fan, Continued coolant circulation pump



- J293 Radiator fan control unit
- J623 Engine/motor control unit
- SC25 Fuse 25 on fuse holder C
- T3w 3-pin connector, black
- T4bj 4-pin connector, black, on radiator cowling
- T94a 94-pin connector, black
- V7 Radiator fan
- V51 Continued coolant circulation pump
- 375 Earth connection 10, in main wiring harness
- 655 Earth point, on left headlight
- B613 Connection 41, in main wiring harness
- * For models with Euro 5 emission standard
- *2 For models with low fan output
- *3 For models with increased fan output
- *4 Wiring colour depends on equipment
- *5 see applicable current flow diagram for earthing concept

- ws = white
- sw = black
- ro = red
- rt = red
- br = brown
- gn = green
- bl = blue
- gr = grey
- li = purple
- vi = purple
- ge = yellow
- or = orange
- rs = pink



Start/Stop operation button, Engine/motor control unit, Dash panel insert, Fuse 50 on fuse holder C

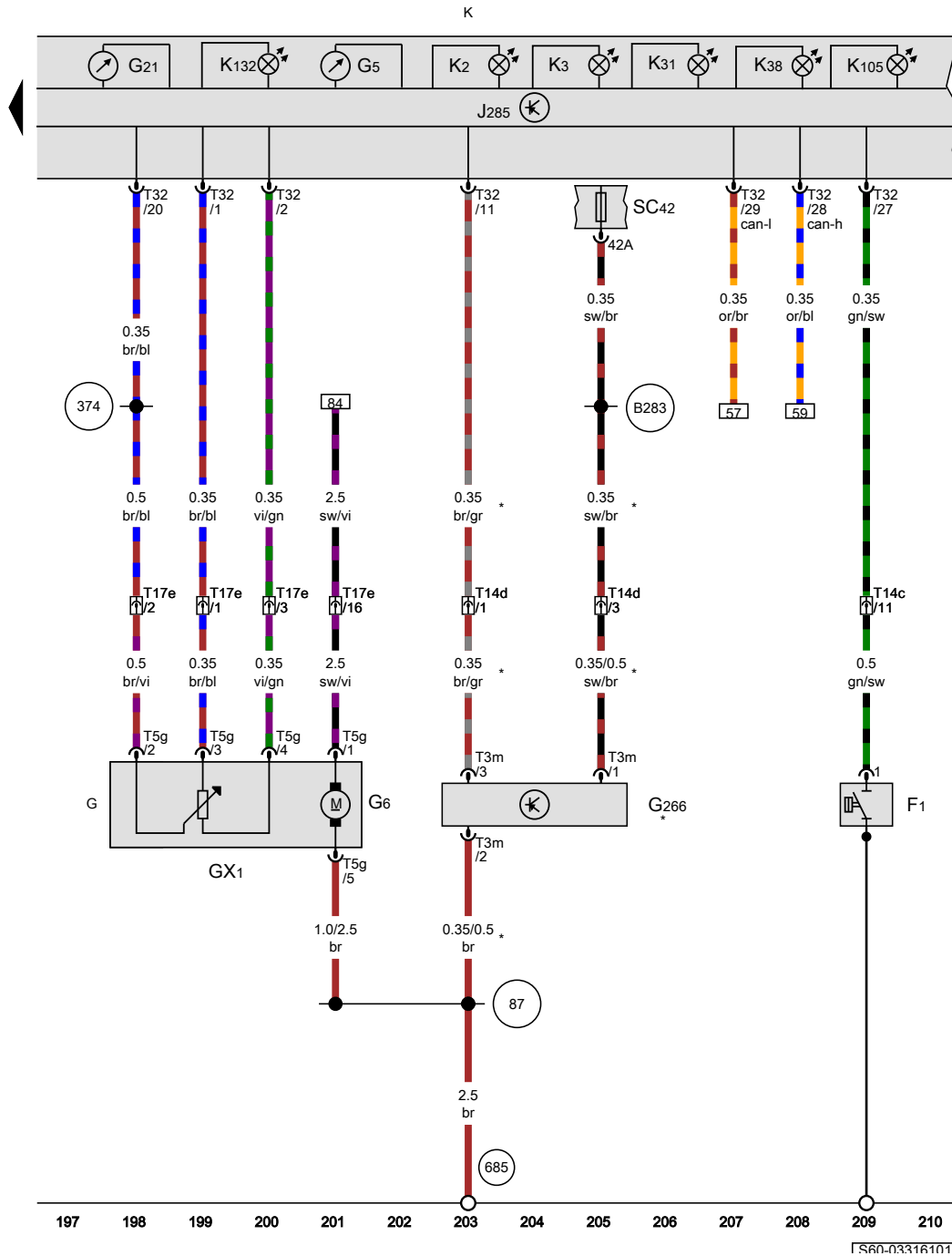
- D2 Immobiliser reader coil
- E693 Start/Stop operation button
- G1 Fuel gauge
- G3 Coolant temperature gauge
- H3 Buzzer and gong
- J285 Control unit in dash panel insert
- J623 Engine/motor control unit
- K Dash panel insert
- K28 Coolant temperature and coolant shortage warning lamp
- K29 Glow period warning lamp
- SC50 Fuse 50 on fuse holder C
- T6bo 6-pin connector, grey
- T10r 10-pin connector, blue, behind dash panel
- T17c 17-pin connector, white, behind dash panel
- T17d 17-pin connector, green, behind dash panel
- T17h 17-pin connector, blue, behind dash panel
- T17i 17-pin connector, brown, behind dash panel
- T32 32-pin connector, blue
- T94a 94-pin connector, black

- 81 Earth connection 1, in dash panel wiring harness
- A7 Positive connection (58 D1), in dash panel wiring harness
- A20 Positive connection (15a), in dash panel wiring harness
- B284 Positive connection 8 (15a) in main wiring harness
- B342 Connection 3 (58d), in main wiring harness
- * For left-hand drive models
- *2 For right-hand drive models
- *3 Up to January 2018
- *4 From January 2018

- ws = white
- sw = black
- ro = red
- rt = red
- br = brown
- gn = green
- bl = blue
- gr = grey
- li = purple
- vi = purple
- ge = yellow
- or = orange
- rs = pink

183 184 185 186 187 188 189 190 191 192 193 194 195 196

[S60-033151019]



Oil pressure switch, Fuel system pressurisation pump, Oil level and oil temperature sender, Dash panel insert, Fuse 42 on fuse holder C

- F1 Oil pressure switch
- G Fuel gauge sender
- GX1 Fuel delivery unit
- G5 Rev. counter
- G6 Fuel system pressurisation pump
- G21 Speedometer
- G266 Oil level and oil temperature sender
- J285 Control unit in dash panel insert
- K Dash panel insert
- K2 Alternator warning lamp
- K3 Oil pressure warning lamp
- K31 Cruise control system warning lamp
- K38 Oil level warning lamp
- K105 Reserve fuel warning lamp
- K132 Electronic power control fault lamp
- SC42 Fuse 42 on fuse holder C
- T3m 3-pin connector, black
- T5g 5-pin connector, black
- T14c 14-pin connector, grey, near battery
- T14d 14-pin connector, black, near battery
- T17e 17-pin connector, red, near handbrake lever
- T32 32-pin connector, blue

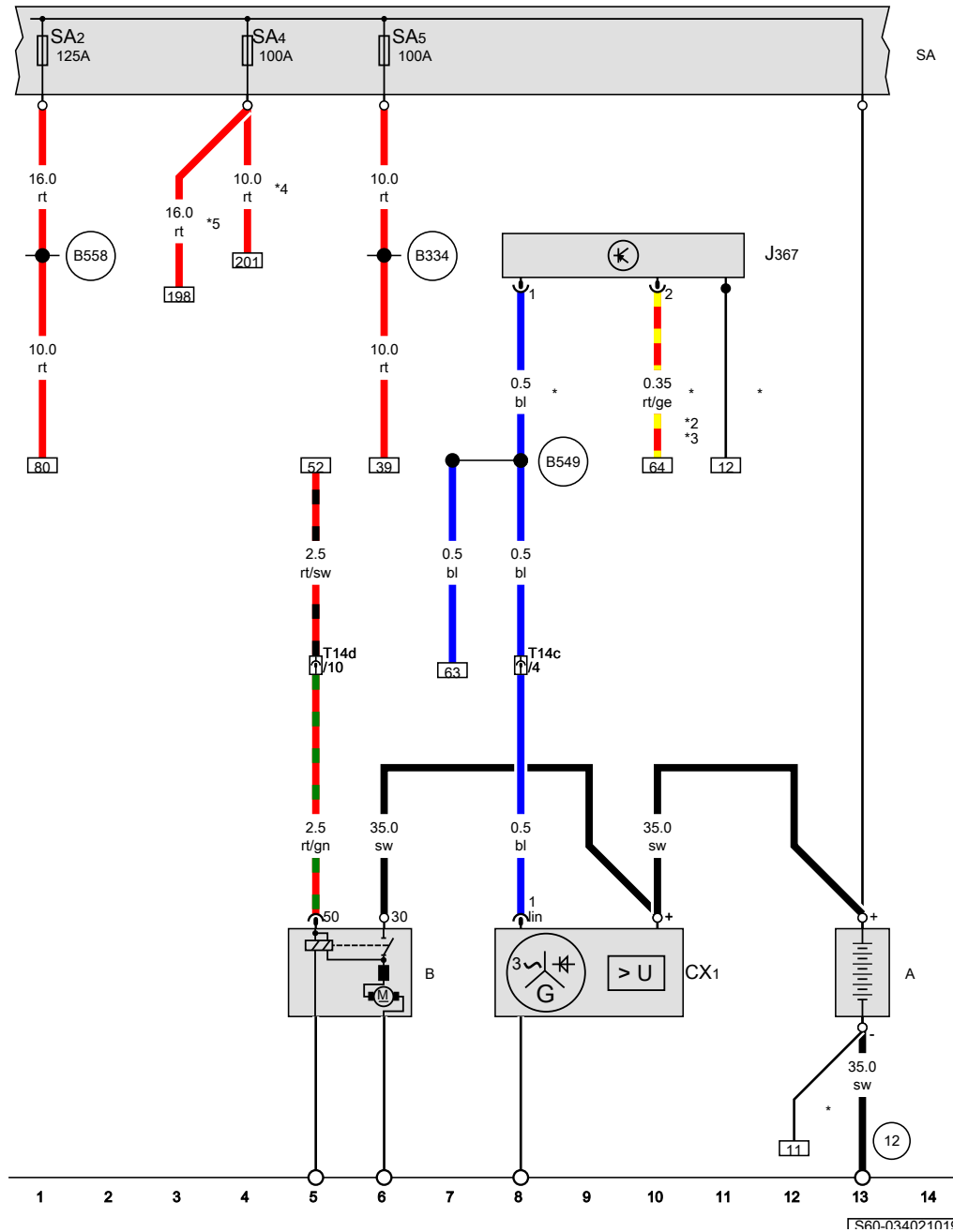
- (87) Earth connection 2, in rear wiring harness
- (374) Earth connection 9, in main wiring harness
- (685) Earth point 1, on front of right longitudinal member
- (B283) Positive connection 7 (15a) in main wiring harness
- * According to equipment

- ws = white
- sw = black
- ro = red
- rt = red
- br = brown
- gn = green
- bl = blue
- gr = grey
- li = purple
- vi = purple
- ge = yellow
- or = orange
- rs = pink

TS60-033161019

3.0l diesel engine , DDXA,DDXB,DDXC,DDXD,DDXE

From June 2016

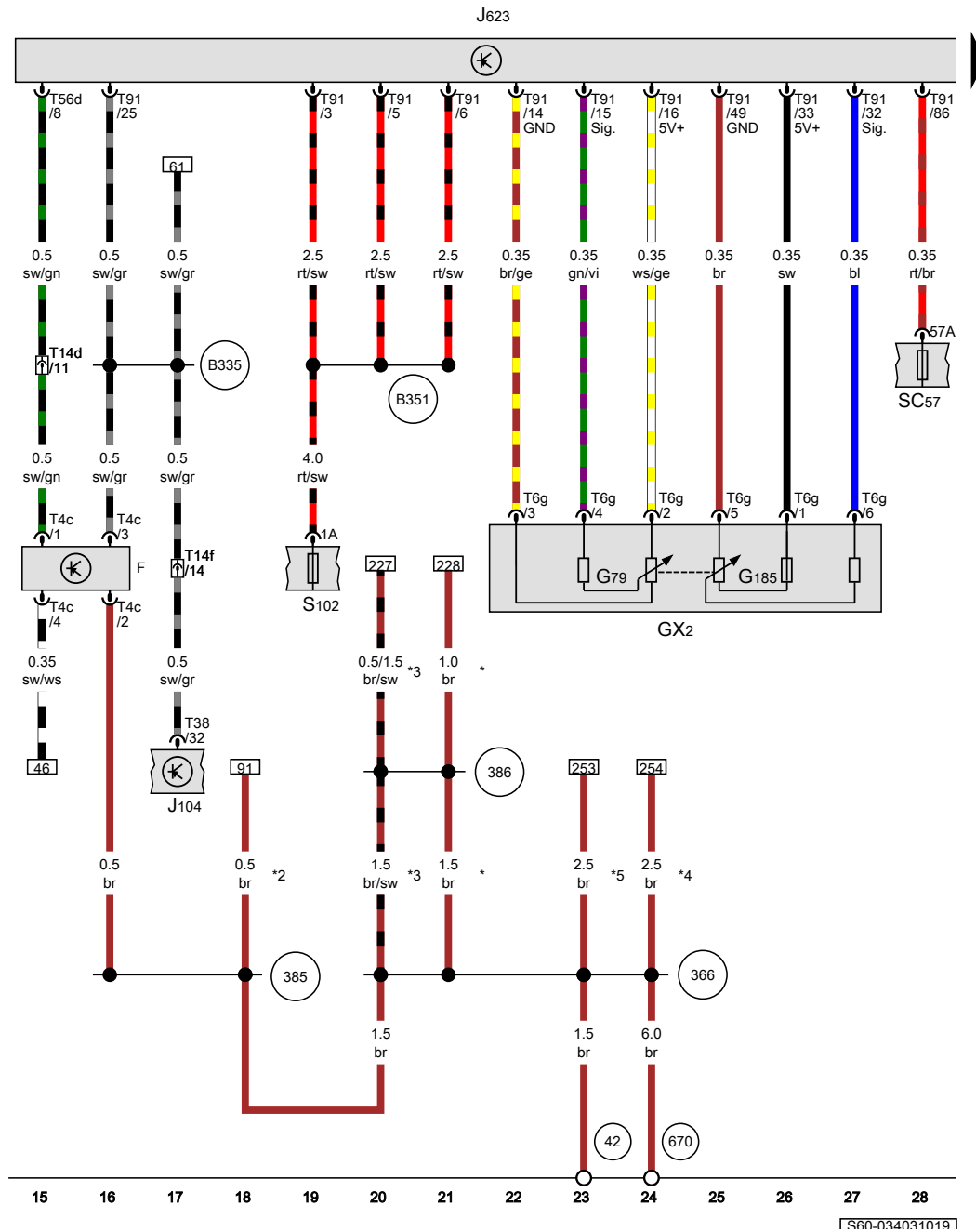


Battery, Starter, Alternator with voltage regulator, Battery monitor control unit, Fuse holder A

- A Battery
- B Starter
- CX1 Alternator with voltage regulator
- J367 Battery monitor control unit
- SA Fuse holder A
- SA2 Fuse 2 on fuse holder A
- SA4 Fuse 4 on fuse holder A
- SA5 Fuse 5 on fuse holder A
- T14c 14-pin connector, grey, near battery
- T14d 14-pin connector, black, near battery
- 12 Earth point, on left in engine compartment
- B334 Positive connection 20 (30a) in main wiring harness
- B549 Connection 2 (LIN bus) in main wiring harness
- B558 Positive connection 22 (30a) in main wiring harness
- * For models with start/stop system
- *2 red
- *3 From January 2018
- *4 For models with low fan output
- *5 For models with increased fan output

- ws = white
- sw = black
- ro = red
- rt = red
- br = brown
- gn = green
- bl = blue
- gr = grey
- li = purple
- vi = purple
- ge = yellow
- or = orange
- rs = pink

[S60-034021019]



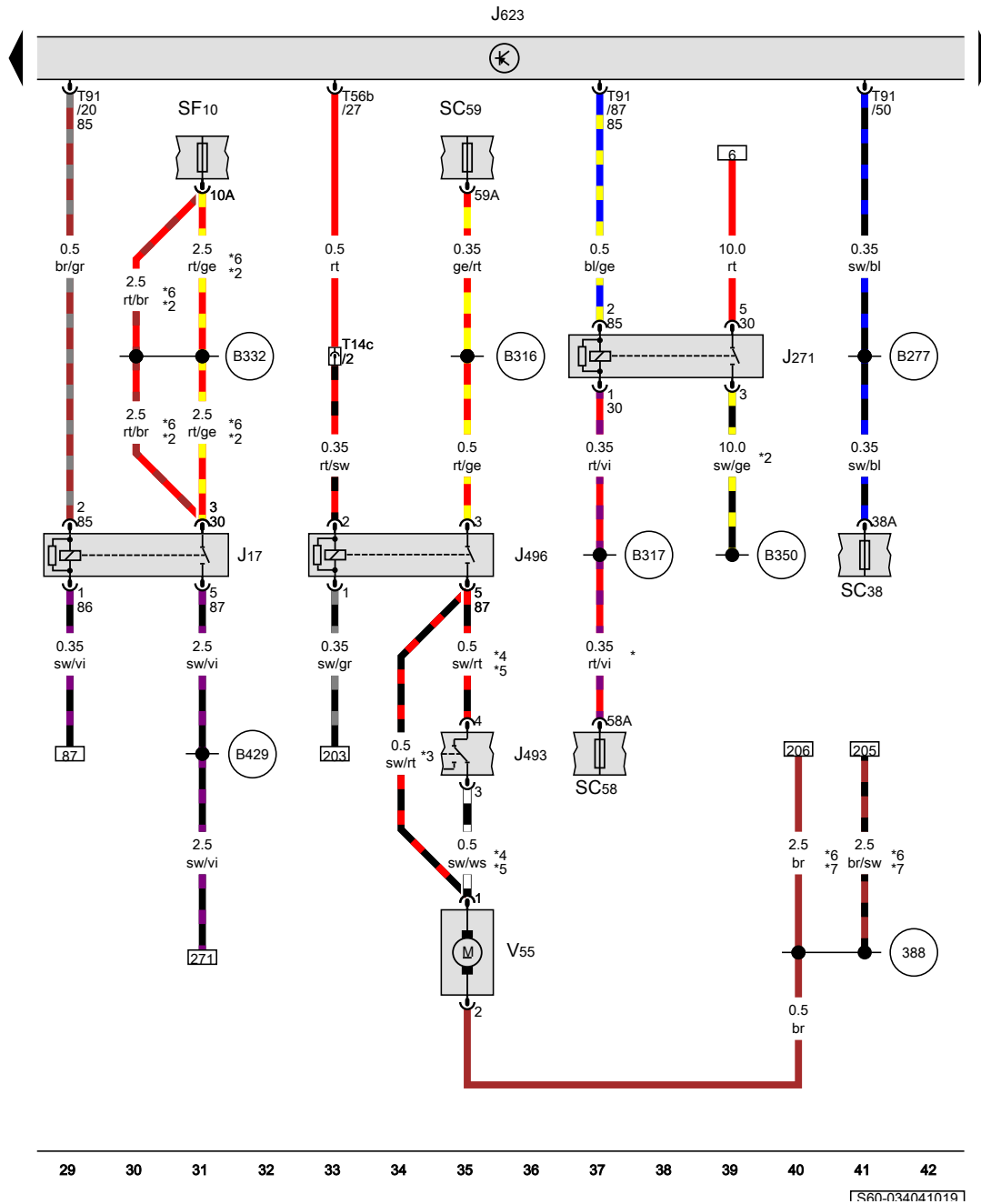
Brake light switch, Accelerator pedal module, Accelerator position sender, Accelerator position sender 2, ABS control unit, Engine/motor control unit, Fuse 57 on fuse holder C, Engine/motor control unit fuse

- F Brake light switch
 - GX2 Accelerator pedal module
 - G79 Accelerator position sender
 - G185 Accelerator position sender 2
 - J104 ABS control unit
 - J623 Engine/motor control unit
 - SC57 Fuse 57 on fuse holder C
 - S102 Engine/motor control unit fuse
 - T4c 4-pin connector, black
 - T6g 6-pin connector, black
 - T14d 14-pin connector, black, near battery
 - T14f 14-pin connector, black, near right headlight
 - T38 38-pin connector, black
 - T56d 56-pin connector, black
 - T91 91-pin connector, black
- 42 Earth point, next to steering column
 - 366 Earth connection 1, in main wiring harness
 - 385 Earth connection 20, in main wiring harness
 - 386 Earth connection 21, in main wiring harness
 - 670 Earth point 2, left A-pillar
 - B335 Connection 1 (54), in main wiring harness
 - B351 Positive connection 2 (87a) in main wiring harness

ws = white
 ro = red
 rt = red
 br = brown
 gn = green
 bl = blue
 gr = grey
 li = purple
 vi = purple
 ge = yellow
 or = orange
 rs = pink

* Up to February 2017
 *2 For models with manual gearbox
 *3 From February 2017
 *4 From January 2018
 *5 Up to January 2018

1560-034031019



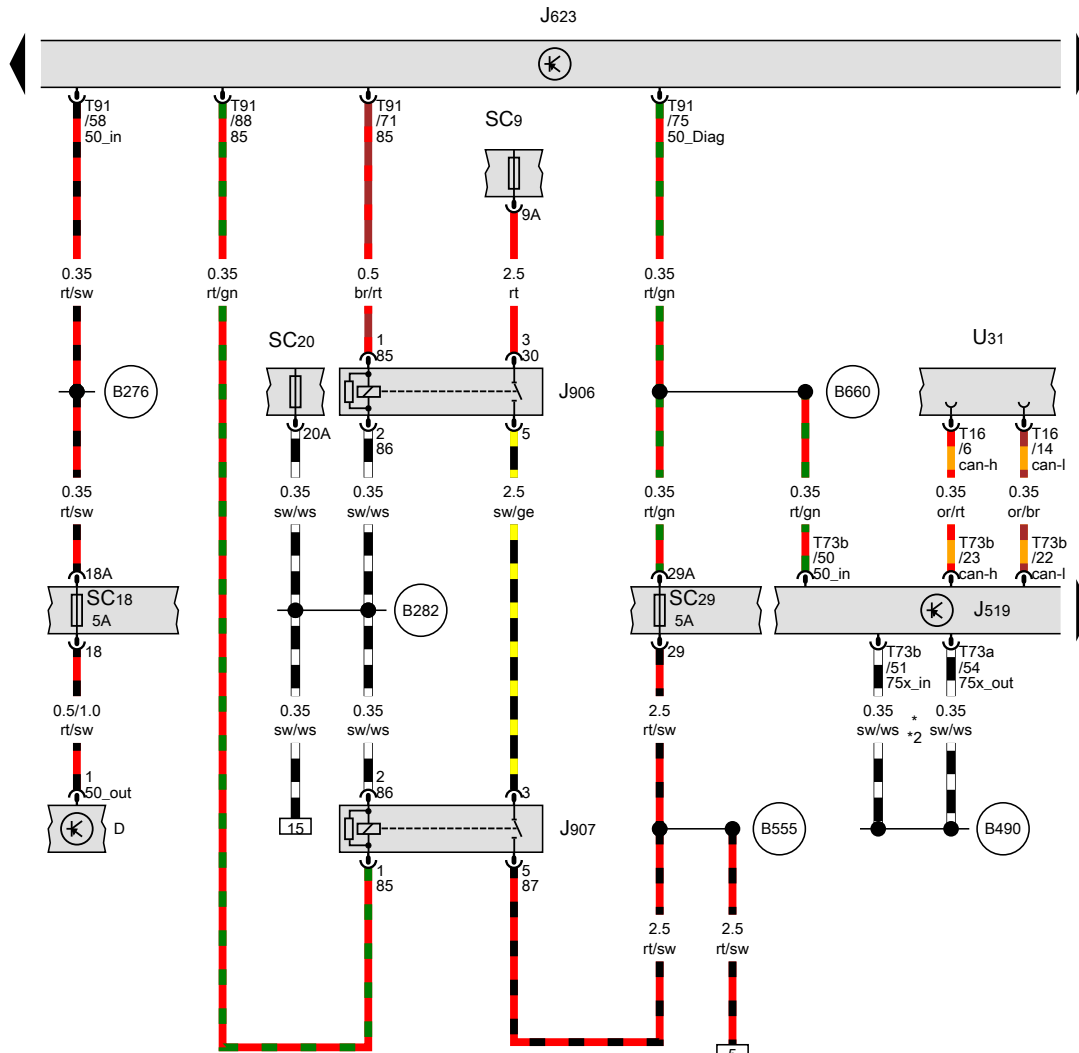
Fuel pump relay, Main relay, Auxiliary coolant heater relay, Additional coolant pump relay, Engine/motor control unit, Fuse 10 in fuse holder F, Fuse 38 on fuse holder C, Fuse 58 on fuse holder C, Fuse 59 on fuse holder C, Circulation pump

- J17 Fuel pump relay
- J271 Main relay
- J493 Auxiliary coolant heater relay, on relay carrier
- J496 Additional coolant pump relay
- J623 Engine/motor control unit
- SF10 Fuse 10 in fuse holder F
- SC38 Fuse 38 on fuse holder C
- SC58 Fuse 58 on fuse holder C
- SC59 Fuse 59 on fuse holder C
- T14c 14-pin connector, grey, near battery
- T56b 56-pin connector, black
- T91 91-pin connector, black
- V55 Circulation pump

- (388) Earth connection 23, in main wiring harness
- (B277) Positive connection 1 (15a) in main wiring harness
- (B316) Positive connection 2 (30a) in main wiring harness
- (B317) Positive connection 3 (30a) in main wiring harness
- (B332) Positive connection 18 (30a) in main wiring harness
- (B350) Positive connection 1 (87a) in main wiring harness
- (B429) Connection (EFPR), in main wiring harness

- ws = white
- sw = black
- ro = red
- rt = red
- br = brown
- gn = green
- bl = blue
- gr = grey
- li = purple
- vi = purple
- ge = yellow
- or = orange
- rs = pink

- * Cross-section 1.5 possible
- *2 see applicable current flow diagram for fuse assignment
- *3 For models with no air conditioning system
- *4 For models with Climatronic
- *5 For models with Climatic
- *6 Wiring colour depends on equipment
- *7 see applicable current flow diagram for earthing concept



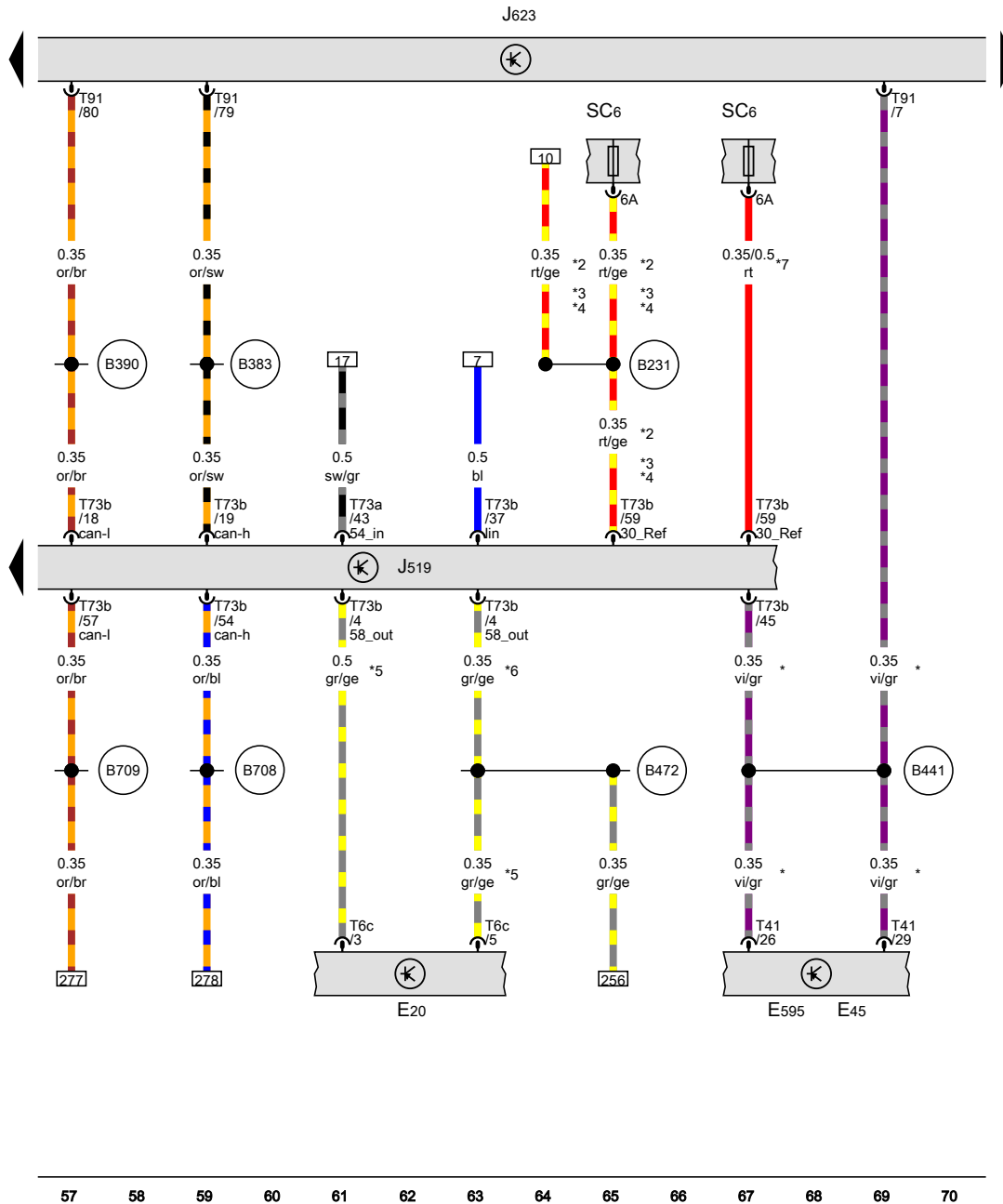
Ignition/starter switch, Onboard supply control unit, Engine/motor control unit, Starter relay 1, Starter relay 2, Fuse 9 on fuse holder C, Fuse 18 on fuse holder C, Fuse 20 on fuse holder C, Fuse 29 on fuse holder C, Diagnostic connection

- D Ignition/starter switch
 - J519 Onboard supply control unit
 - J623 Engine/motor control unit
 - J906 Starter relay 1
 - J907 Starter relay 2
 - SC9 Fuse 9 on fuse holder C
 - SC18 Fuse 18 on fuse holder C
 - SC20 Fuse 20 on fuse holder C
 - SC29 Fuse 29 on fuse holder C
 - T16 16-pin connector, black
 - T73a 73-pin connector, black
 - T73b 73-pin connector, colourless
 - T91 91-pin connector, black
 - U31 Diagnostic connection
- (B276) Positive connection (50), in main wiring harness
 - (B282) Positive connection 6 (15a) in main wiring harness
 - (B490) Connection 26, in main wiring harness
 - (B555) Positive connection 2 (50), in main wiring harness
 - (B660) Connection (diagnosis terminal 50), in main wiring harness
- * For models with no start/stop system
 - *2 Wire with no function

- ws = white
- sw = black
- ro = red
- rt = red
- br = brown
- gn = green
- bl = blue
- gr = grey
- li = purple
- vi = purple
- ge = yellow
- or = orange
- rs = pink

43 44 45 46 47 48 49 50 51 52 53 54 55 56

1560-0340510191



Switch and instrument illumination regulator, Cruise control system switch, Steering column combination switch, Onboard supply control unit, Engine/motor control unit, Fuse 6 on fuse holder C

- E20 Switch and instrument illumination regulator
- E45 Cruise control system switch
- E595 Steering column combination switch
- J519 Onboard supply control unit
- J623 Engine/motor control unit
- SC6 Fuse 6 on fuse holder C
- T6c 6-pin connector, black
- T41 41-pin connector, grey
- T73a 73-pin connector, black
- T73b 73-pin connector, colourless
- T91 91-pin connector, black

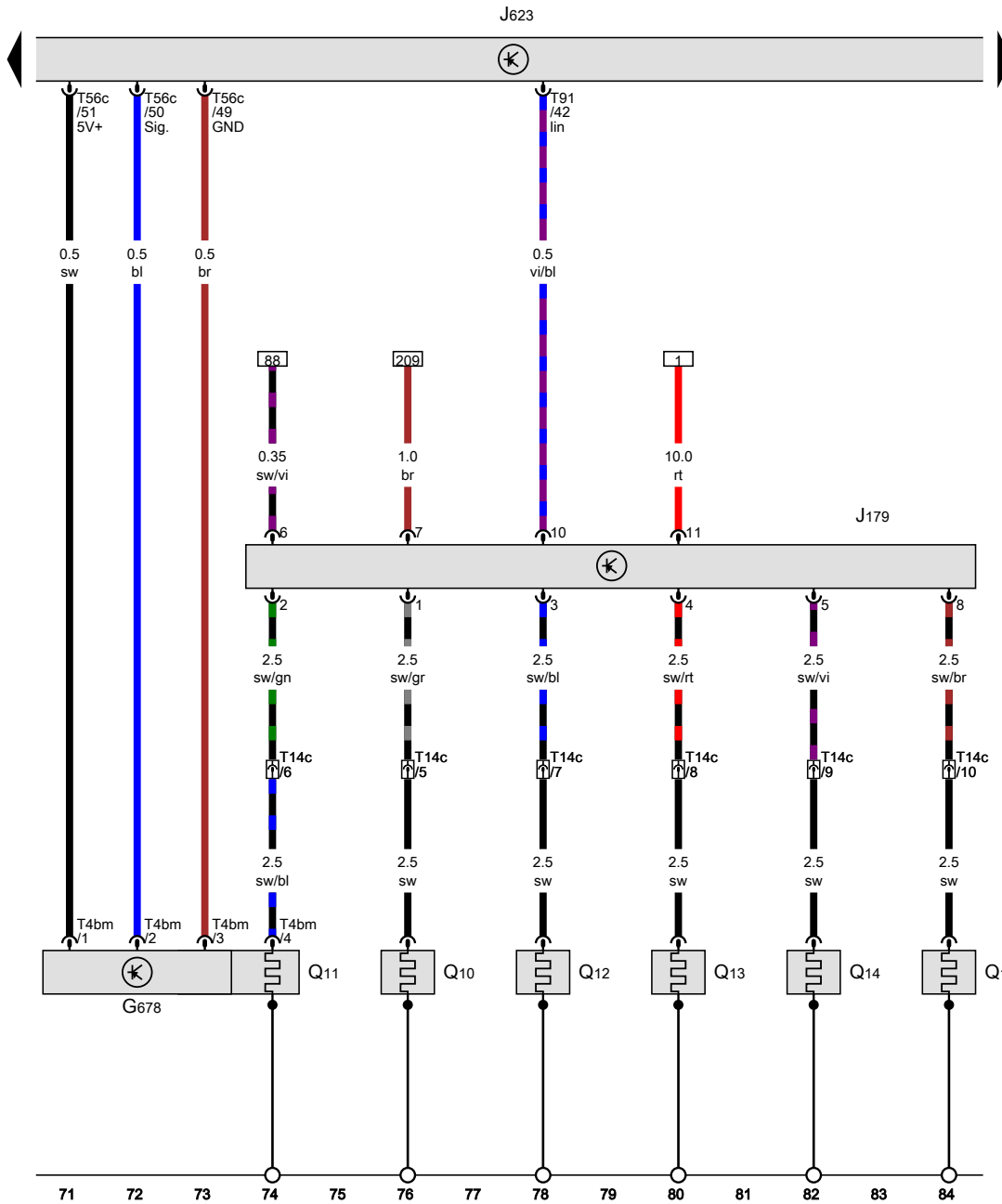
- (B231) Positive connection 5 (30a), in interior wiring harness
- (B383) Connection 1 (powertrain CAN bus, high), in main wiring harness
- (B390) Connection 1 (powertrain CAN bus, low), in main wiring harness
- (B441) Connection (CCS), in main wiring harness
- (B472) Connection 8, in main wiring harness
- (B708) Connection 1 (dash panel insert CAN bus high) in main wiring harness
- (B709) Connection 1 (dash panel insert CAN bus low) in main wiring harness

- * For models with cruise control system (CCS)
- *2 For models with start/stop system
- *3 red
- *4 From January 2018
- *5 For models with dimmable instrument illumination
- *6 For models with no dimmable instrument illumination
- *7 For models with no start/stop system

- ws = white
- sw = black
- ro = red
- rt = red
- br = brown
- gn = green
- bl = blue
- gr = grey
- li = purple
- vi = purple
- ge = yellow
- or = orange
- rs = pink

57 58 59 60 61 62 63 64 65 66 67 68 69 70

1S60-0340610191

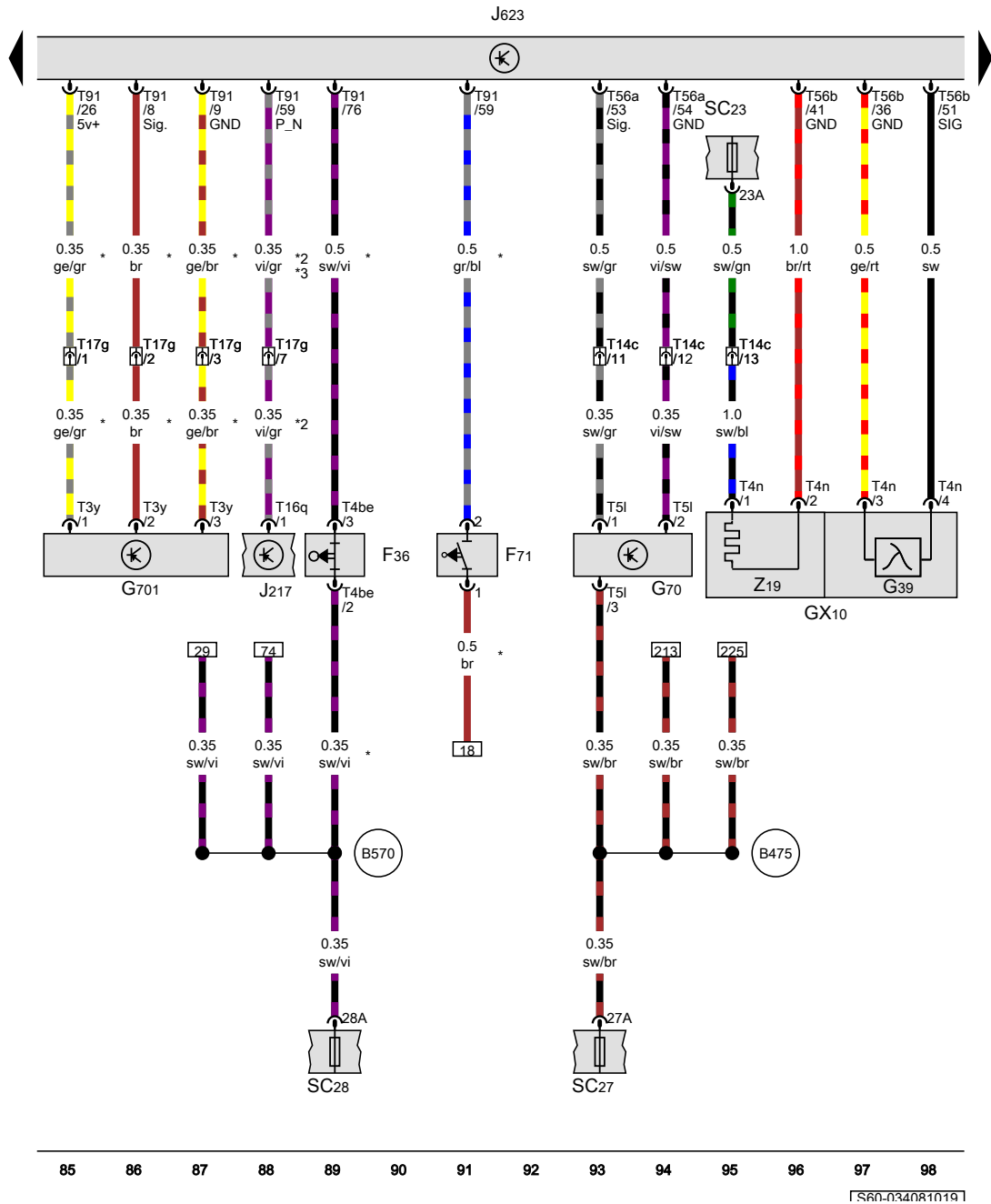


Cylinder 2 combustion chamber pressure sender,
Automatic glow period control unit, Engine/motor control
unit, Glow plug 1, Glow plug 2, Glow plug 3, Glow plug 4,
Glow plug 5, Glow plug 6

- G678 Cylinder 2 combustion chamber pressure sender
- J179 Automatic glow period control unit
- J623 Engine/motor control unit
- Q10 Glow plug 1
- Q11 Glow plug 2
- Q12 Glow plug 3
- Q13 Glow plug 4
- Q14 Glow plug 5
- Q15 Glow plug 6
- T4bm 4-pin connector, black
- T14c 14-pin connector, grey, near battery
- T56c 56-pin connector, black
- T91 91-pin connector, black

- ws = white
- sw = black
- ro = red
- rt = red
- br = brown
- gn = green
- bl = blue
- gr = grey
- li = purple
- vi = purple
- ge = yellow
- or = orange
- rs = pink

[S60-034071019]



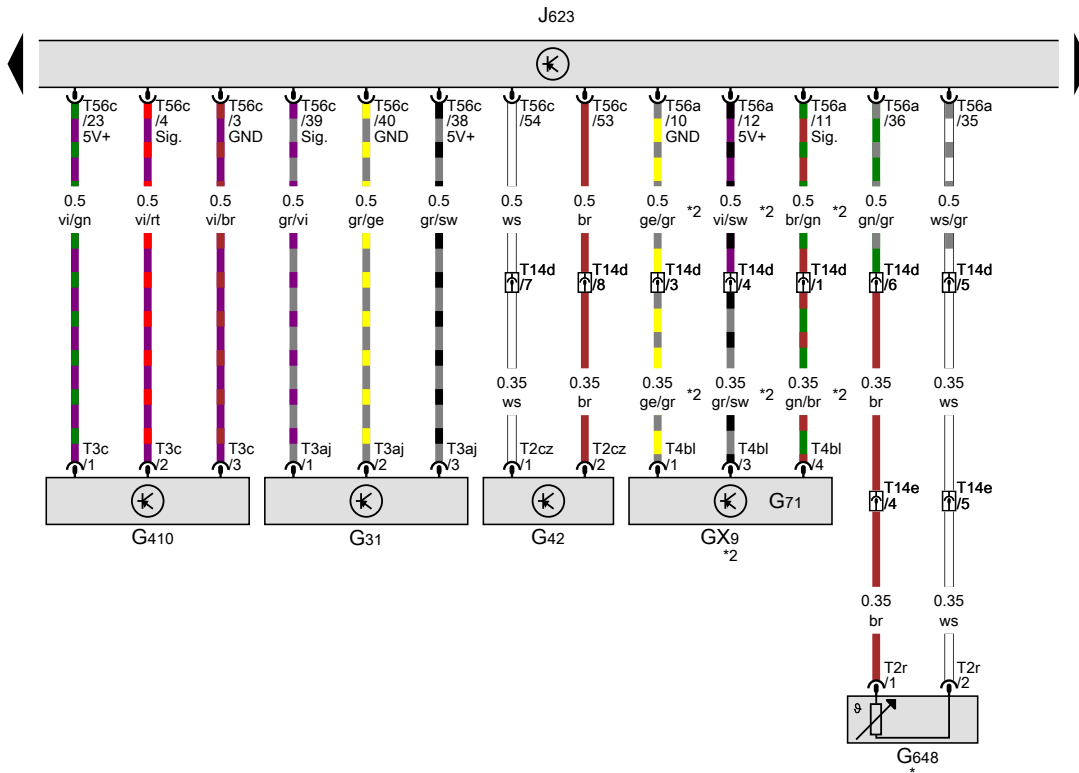
Clutch pedal switch, Clutch pedal switch for stop/start system, Lambda probe 1 before catalytic converter, Lambda probe, Air mass meter, Gearbox neutral position sender, Automatic gearbox control unit, Engine/motor control unit, Fuse 23 on fuse holder C, Fuse 27 on fuse holder C, Fuse 28 on fuse holder C

- F36 Clutch pedal switch
- F71 Clutch pedal switch for stop/start system
- GX10 Lambda probe 1 before catalytic converter
- G39 Lambda probe
- G70 Air mass meter
- G701 Gearbox neutral position sender
- J217 Automatic gearbox control unit
- J623 Engine/motor control unit
- SC23 Fuse 23 on fuse holder C
- SC27 Fuse 27 on fuse holder C
- SC28 Fuse 28 on fuse holder C
- T3y 3-pin connector, black
- T4be 4-pin connector, black
- T4n 4-pin connector, black
- T5l 5-pin connector, black
- T14c 14-pin connector, grey, near battery
- T16q 16-pin connector, black
- T17g 17-pin connector, black, near handbrake lever
- T56a 56-pin connector, black
- T56b 56-pin connector, black
- T91 91-pin connector, black
- Z19 Lambda probe heater

- (B475) Connection 11, in main wiring harness
- (B570) Connection 37, in main wiring harness

- * For models with manual gearbox
- *2 For models with automatic gearbox
- *3 According to equipment

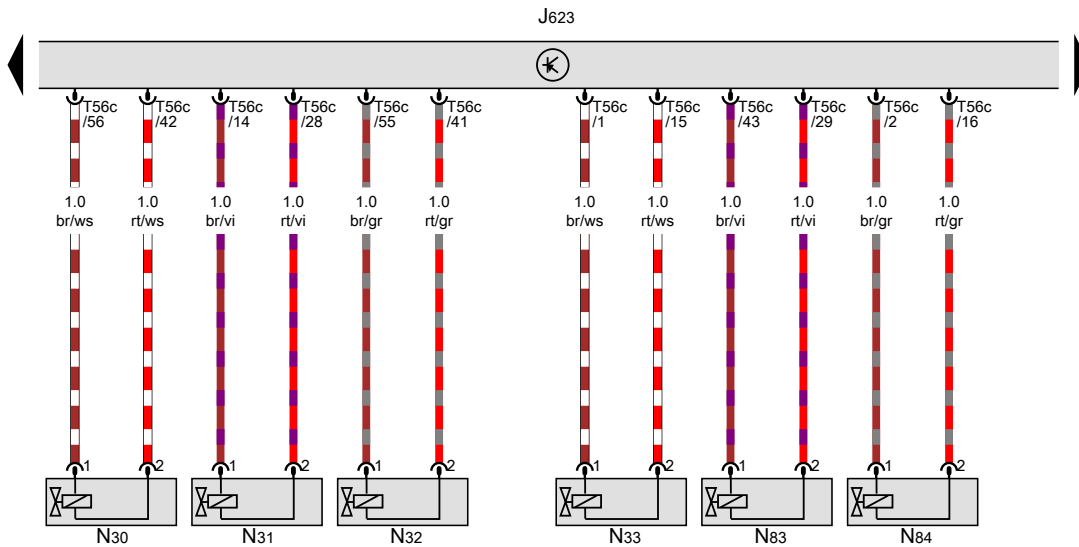
- ws = white
- sw = black
- ro = red
- rt = red
- br = brown
- gn = green
- bl = blue
- gr = grey
- li = purple
- vi = purple
- ge = yellow
- or = orange
- rs = pink



Intake manifold sender, Charge pressure sender, Intake air temperature sender, Intake manifold pressure sender, Fuel pressure sender for low pressure, Exhaust gas temperature sender 4, Engine/motor control unit

- GX9 Intake manifold sender
- G31 Charge pressure sender
- G42 Intake air temperature sender
- G71 Intake manifold pressure sender
- G410 Fuel pressure sender for low pressure
- G648 Exhaust gas temperature sender 4
- J623 Engine/motor control unit
- T2cz 2-pin connector, black
- T2r 2-pin connector, light brown
- T3aj 3-pin connector, black
- T3c 3-pin connector, black
- T4bl 4-pin connector, black
- T14d 14-pin connector, black, near battery
- T14e 14-pin connector, grey, near right headlight
- T56a 56-pin connector, black
- T56c 56-pin connector, black
- * Pre-wired component
- *2 For models with Euro 5 emission standard

- ws = white
- sw = black
- ro = red
- rt = red
- br = brown
- gn = green
- bl = blue
- gr = grey
- li = purple
- vi = purple
- ge = yellow
- or = orange
- rs = pink



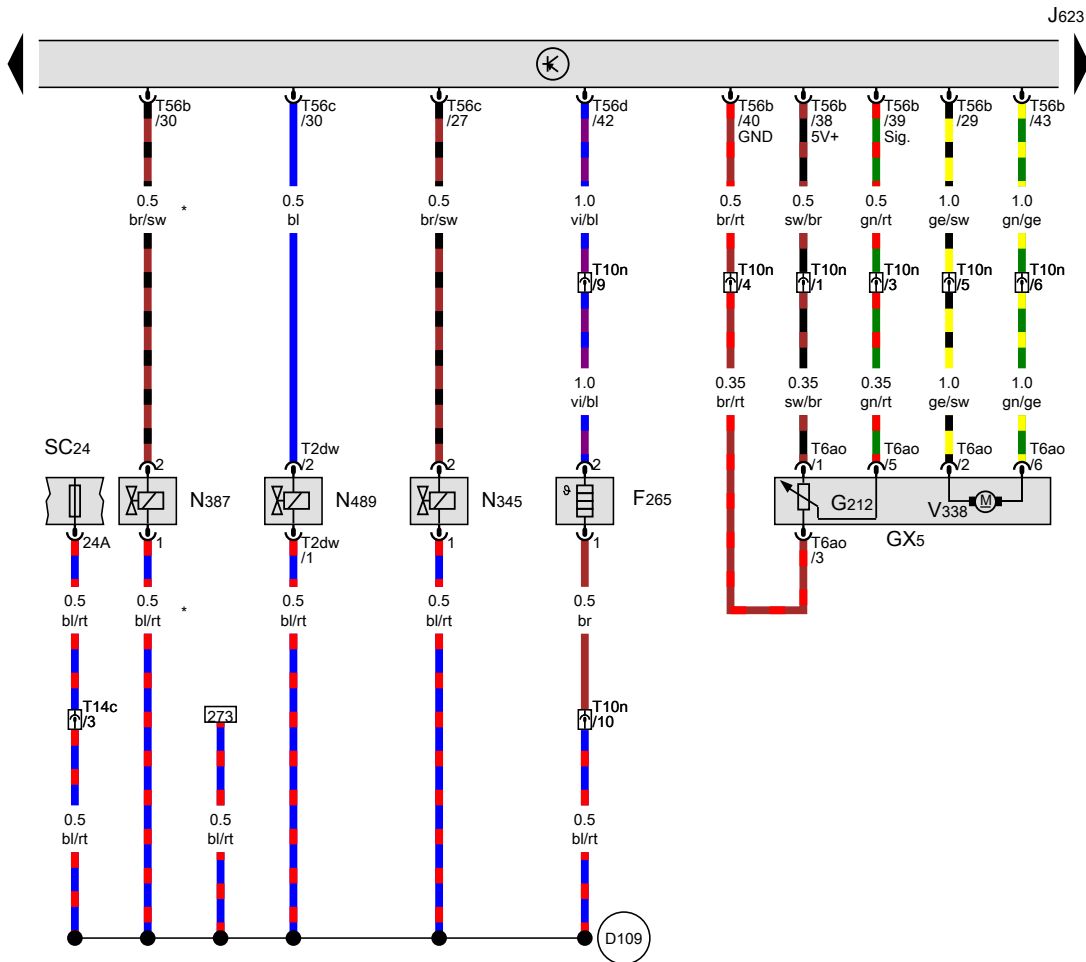
Engine/motor control unit, Injector, cylinder 1, Injector, cylinder 2, Injector, cylinder 3, Injector, cylinder 4, Injector, cylinder 5, Injector, cylinder 6

- J623 Engine/motor control unit
- N30 Injector, cylinder 1
- N31 Injector, cylinder 2
- N32 Injector, cylinder 3
- N33 Injector, cylinder 4
- N83 Injector, cylinder 5
- N84 Injector, cylinder 6
- T56c 56-pin connector, black

- ws = white
- sw = black
- ro = red
- rt = red
- br = brown
- gn = green
- bl = blue
- gr = grey
- li = purple
- vi = purple
- ge = yellow
- or = orange
- rs = pink

113 114 115 116 117 118 119 120 121 122 123 124 125 126

[S60-034101019]



Map-controlled engine cooling system thermostat, Exhaust gas recirculation valve 1, Engine/motor control unit, Exhaust gas recirculation cooler changeover valve, Exhaust gas recirculation cooling bypass valve 2, Coolant valve for cylinder head, Fuse 24 on fuse holder C

- F265 Map-controlled engine cooling system thermostat
- GX5 Exhaust gas recirculation valve 1
- G212 Exhaust gas recirculation potentiometer
- J623 Engine/motor control unit
- N345 Exhaust gas recirculation cooler changeover valve
- N387 Exhaust gas recirculation cooling bypass valve 2
- N489 Coolant valve for cylinder head
- SC24 Fuse 24 on fuse holder C
- T2dw 2-pin connector, grey
- T6ao 6-pin connector, grey
- T10n 10-pin connector, black
- T14c 14-pin connector, grey, near battery
- T56b 56-pin connector, black
- T56c 56-pin connector, black
- T56d 56-pin connector, black
- V338 Exhaust gas recirculation control motor

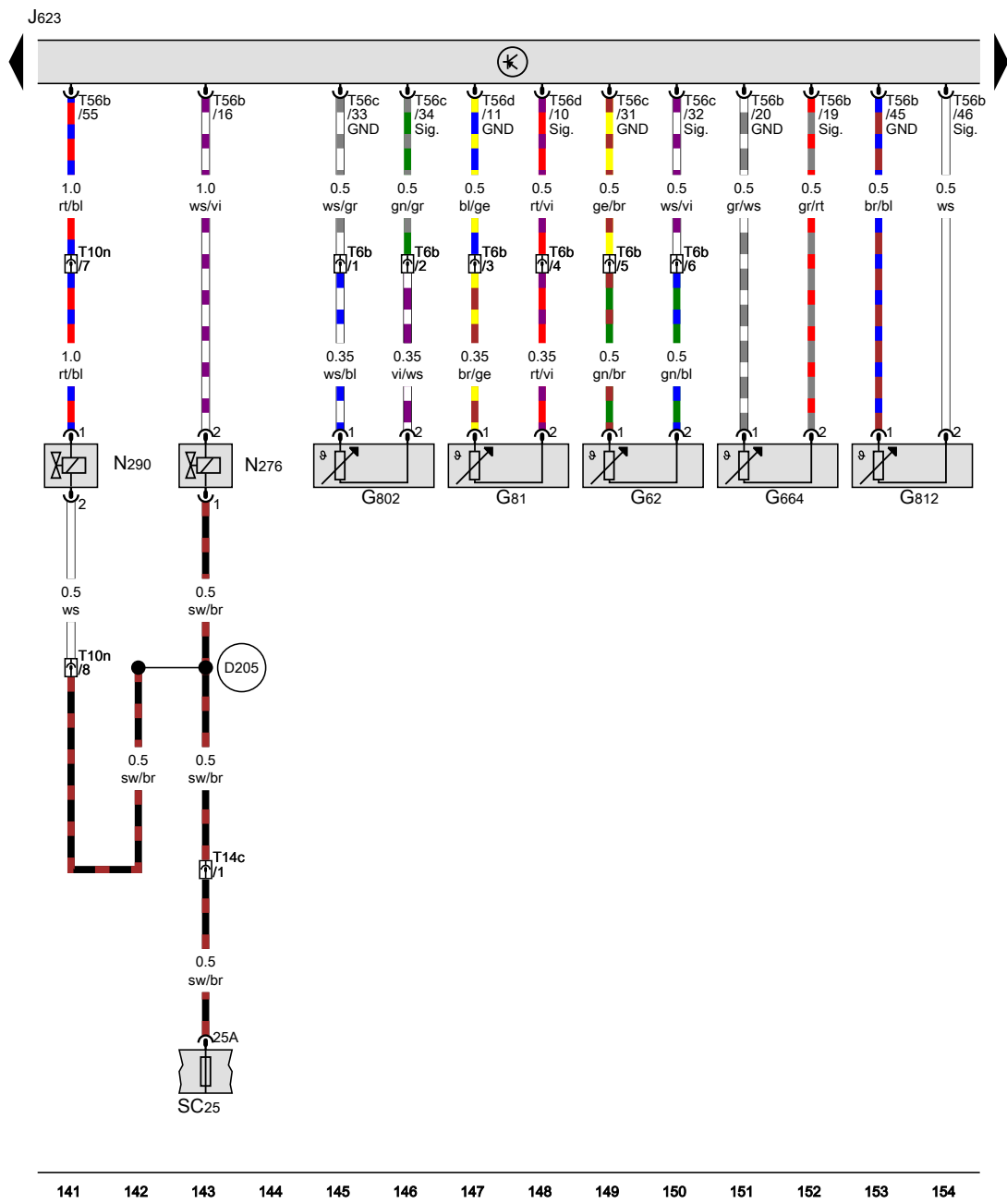
D109 Connection 7 in engine compartment wiring harness

* For models with Euro 5 emission standard

- ws = white
- sw = black
- ro = red
- rt = red
- br = brown
- gn = green
- bl = blue
- gr = grey
- li = purple
- vi = purple
- ge = yellow
- or = orange
- rs = pink

127 128 129 130 131 132 133 134 135 136 137 138 139 140

[S60-034111019]



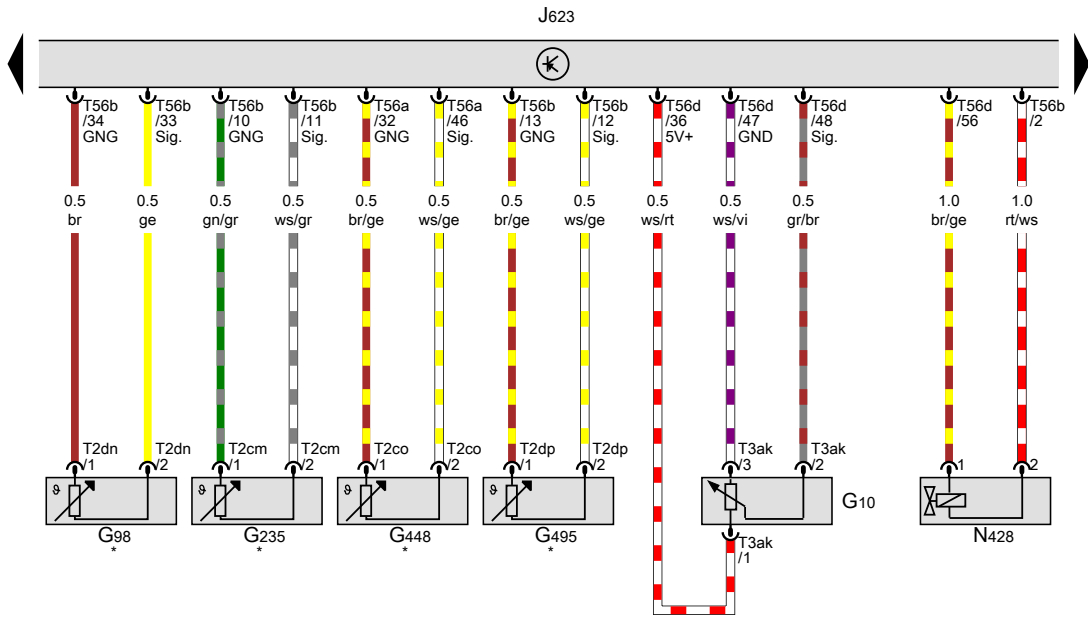
Coolant temperature sender, Fuel temperature sender, Oil temperature sender 2, Coolant temperature sender 2, Coolant temperature sender 3, Engine/motor control unit, Fuel pressure regulating valve, Fuel metering valve, Fuse 25 on fuse holder C

- G62 Coolant temperature sender
- G81 Fuel temperature sender
- G664 Oil temperature sender 2
- G802 Coolant temperature sender 2
- G812 Coolant temperature sender 3
- J623 Engine/motor control unit
- N276 Fuel pressure regulating valve
- N290 Fuel metering valve
- SC25 Fuse 25 on fuse holder C
- T6b 6-pin connector, black
- T10n 10-pin connector, black
- T14c 14-pin connector, grey, near battery
- T56b 56-pin connector, black
- T56c 56-pin connector, black
- T56d 56-pin connector, black
- D205 Connection 3 (87a) in engine prewiring harness

- ws = white
- sw = black
- ro = red
- rt = red
- br = brown
- gn = green
- bl = blue
- gr = grey
- li = purple
- vi = purple
- ge = yellow
- or = orange
- rs = pink

141 142 143 144 145 146 147 148 149 150 151 152 153 154

1560-0341210191



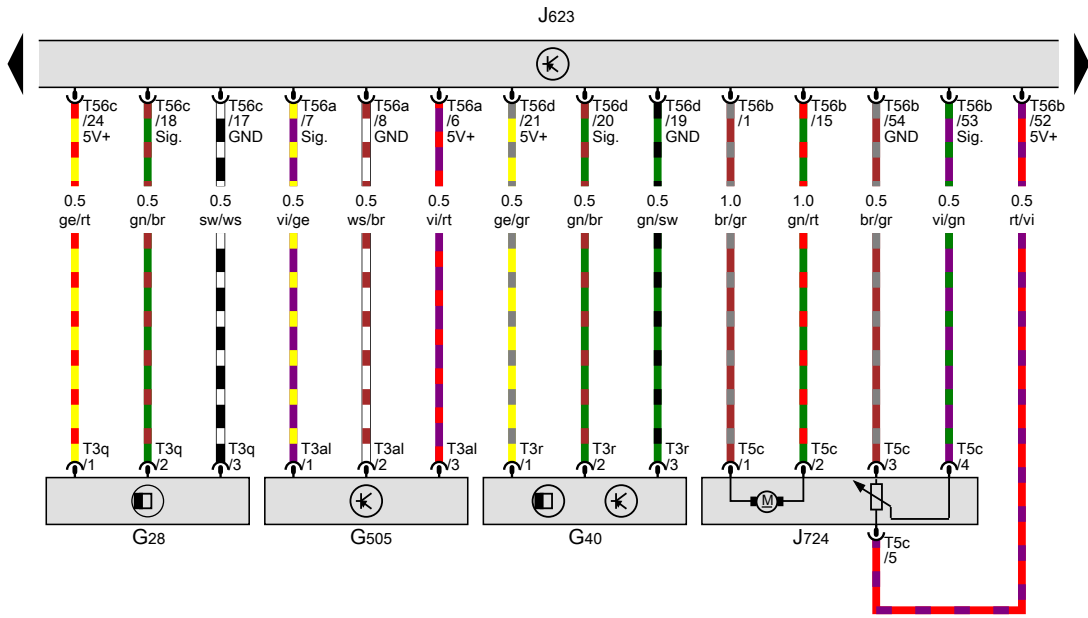
Oil pressure sender, Exhaust gas recirculation temperature sensor, Exhaust gas temperature sender 1, Exhaust gas temperature sender 2, Exhaust gas temperature sender 3, Engine/motor control unit, Valve for oil pressure control

- G10 Oil pressure sender
- G98 Exhaust gas recirculation temperature sensor
- G235 Exhaust gas temperature sender 1
- G448 Exhaust gas temperature sender 2
- G495 Exhaust gas temperature sender 3
- J623 Engine/motor control unit
- N428 Valve for oil pressure control
- T2cm 2-pin connector, black
- T2co 2-pin connector, black
- T2dn 2-pin connector, light brown
- T2dp 2-pin connector, brown
- T3ak 3-pin connector, black
- T56a 56-pin connector, black
- T56b 56-pin connector, black
- T56d 56-pin connector, black
- * Pre-wired component

- ws = white
- sw = black
- ro = red
- rt = red
- br = brown
- gn = green
- bl = blue
- gr = grey
- li = purple
- vi = purple
- ge = yellow
- or = orange
- rs = pink

155 156 157 158 159 160 161 162 163 164 165 166 167 168

[S60-034131019]



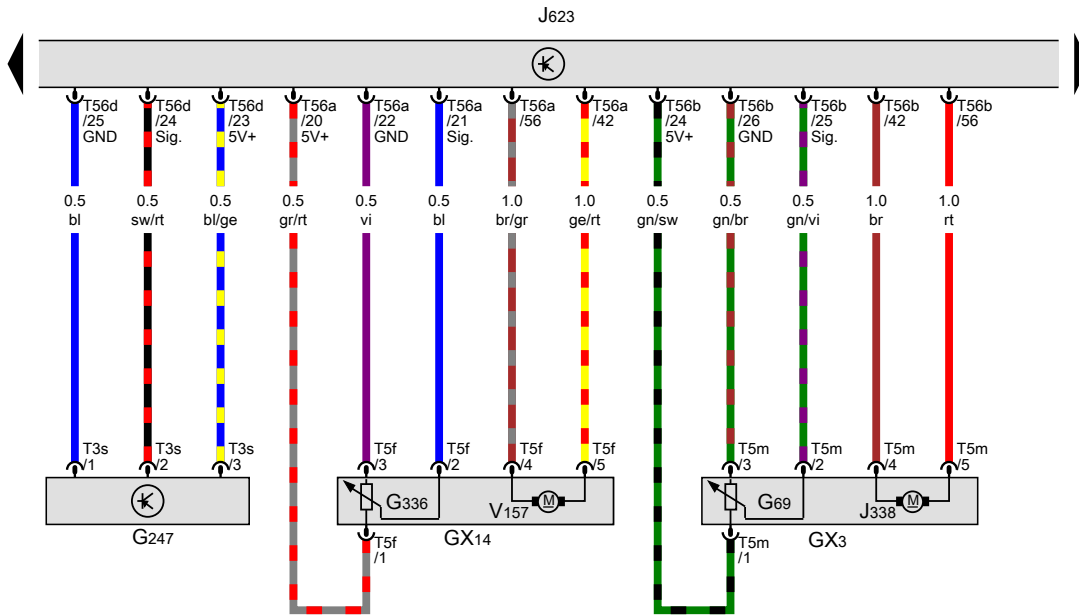
Engine speed sender, Hall sender, Pressure differential sender, Engine/motor control unit, Turbocharger 1 control unit

- G28 Engine speed sender
- G40 Hall sender
- G505 Pressure differential sender
- J623 Engine/motor control unit
- J724 Turbocharger 1 control unit
- T3al 3-pin connector, black
- T3q 3-pin connector, black
- T3r 3-pin connector, black
- T5c 5-pin connector, black
- T56a 56-pin connector, black
- T56b 56-pin connector, black
- T56c 56-pin connector, black
- T56d 56-pin connector, black

- ws = white
- sw = black
- ro = red
- rt = red
- br = brown
- gn = green
- bl = blue
- gr = grey
- li = purple
- vi = purple
- ge = yellow
- or = orange
- rs = pink

169 170 171 172 173 174 175 176 177 178 179 180 181 182

[S60-034141019]



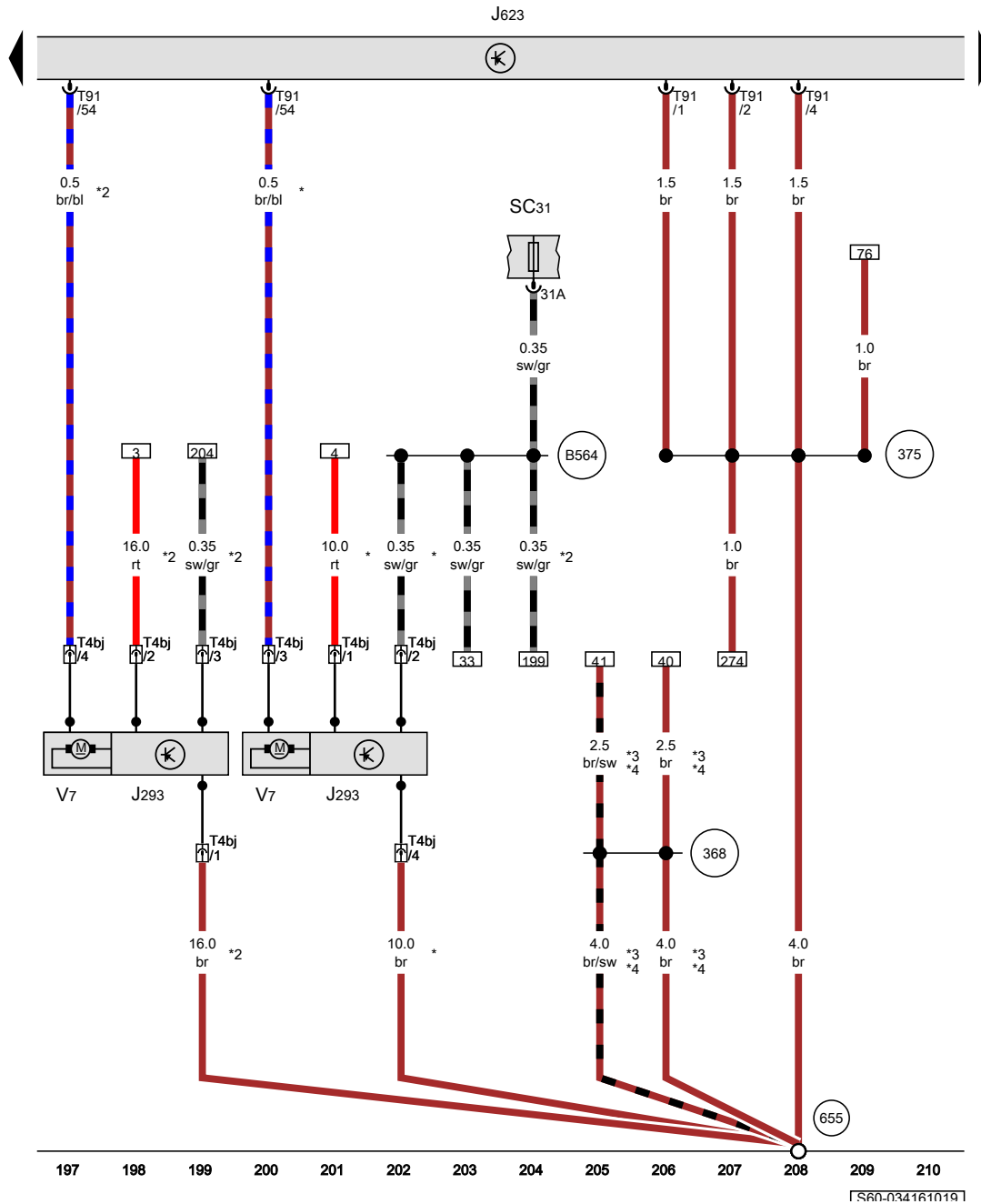
Throttle valve module, Intake manifold flap control unit, Fuel pressure sender, Engine/motor control unit

- GX3 Throttle valve module
- GX14 Intake manifold flap control unit
- G69 Throttle valve potentiometer
- G247 Fuel pressure sender
- G336 Intake manifold flap potentiometer
- J338 Throttle valve module
- J623 Engine/motor control unit
- T3s 3-pin connector, black
- T5f 5-pin connector, black
- T5m 5-pin connector, black
- T56a 56-pin connector, black
- T56b 56-pin connector, black
- T56d 56-pin connector, black
- V157 Intake manifold flap motor

- ws = white
- sw = black
- ro = red
- rt = red
- br = brown
- gn = green
- bl = blue
- gr = grey
- li = purple
- vi = purple
- ge = yellow
- or = orange
- rs = pink

183 184 185 186 187 188 189 190 191 192 193 194 195 196

[S60-034151019]



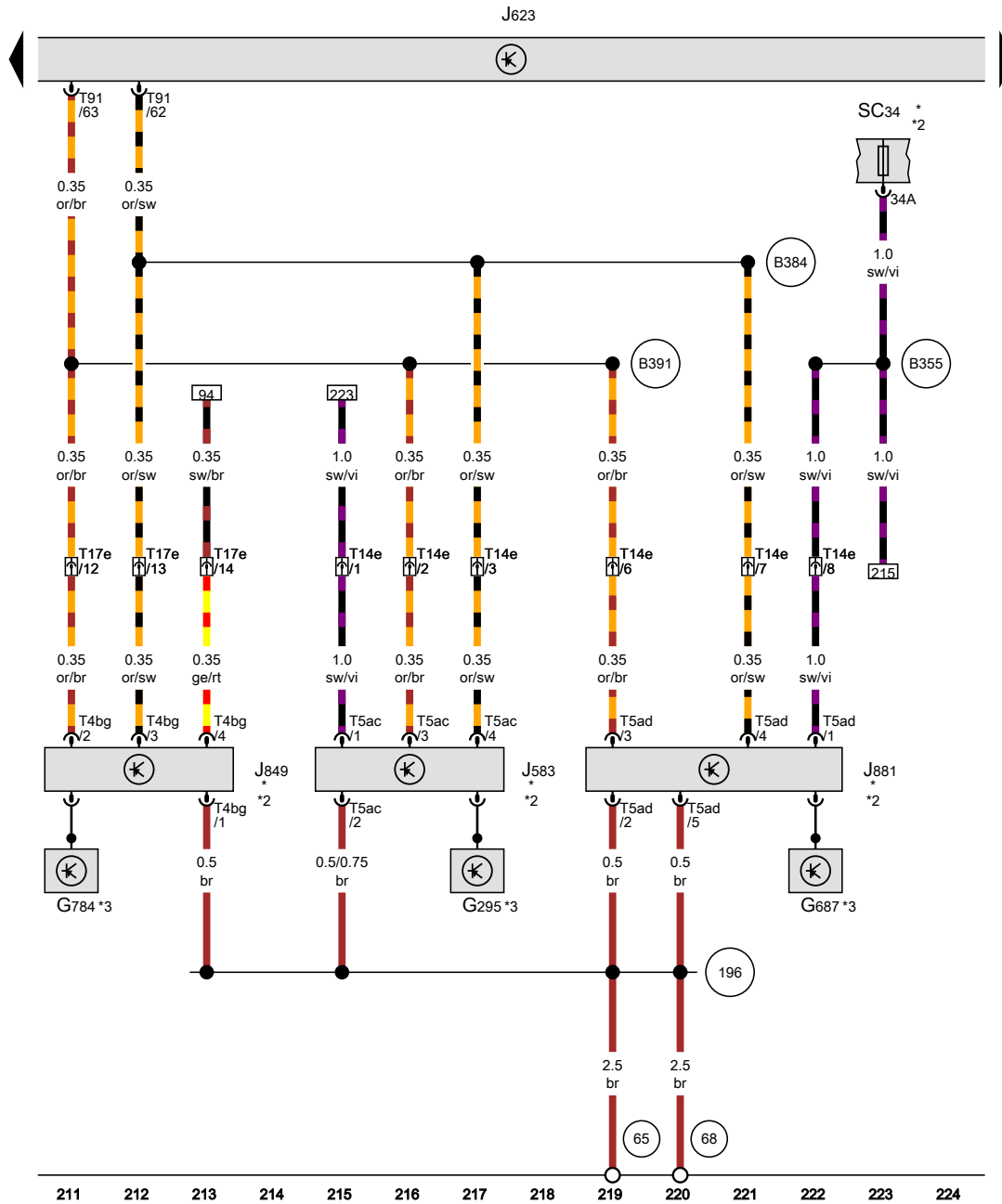
Radiator fan control unit, Engine/motor control unit, Fuse 31 on fuse holder C, Radiator fan

- J293 Radiator fan control unit
- J623 Engine/motor control unit
- SC31 Fuse 31 on fuse holder C
- T4bj 4-pin connector, black, on radiator cowl
- T91 91-pin connector, black
- V7 Radiator fan

- 368 Earth connection 3, in main wiring harness
- 375 Earth connection 10, in main wiring harness
- 655 Earth point, on left headlight
- B564 Connection 31, in main wiring harness

- * For models with low fan output
- *2 For models with increased fan output
- *3 Wiring colour depends on equipment
- *4 see applicable current flow diagram for earthing concept

16S60-034161019



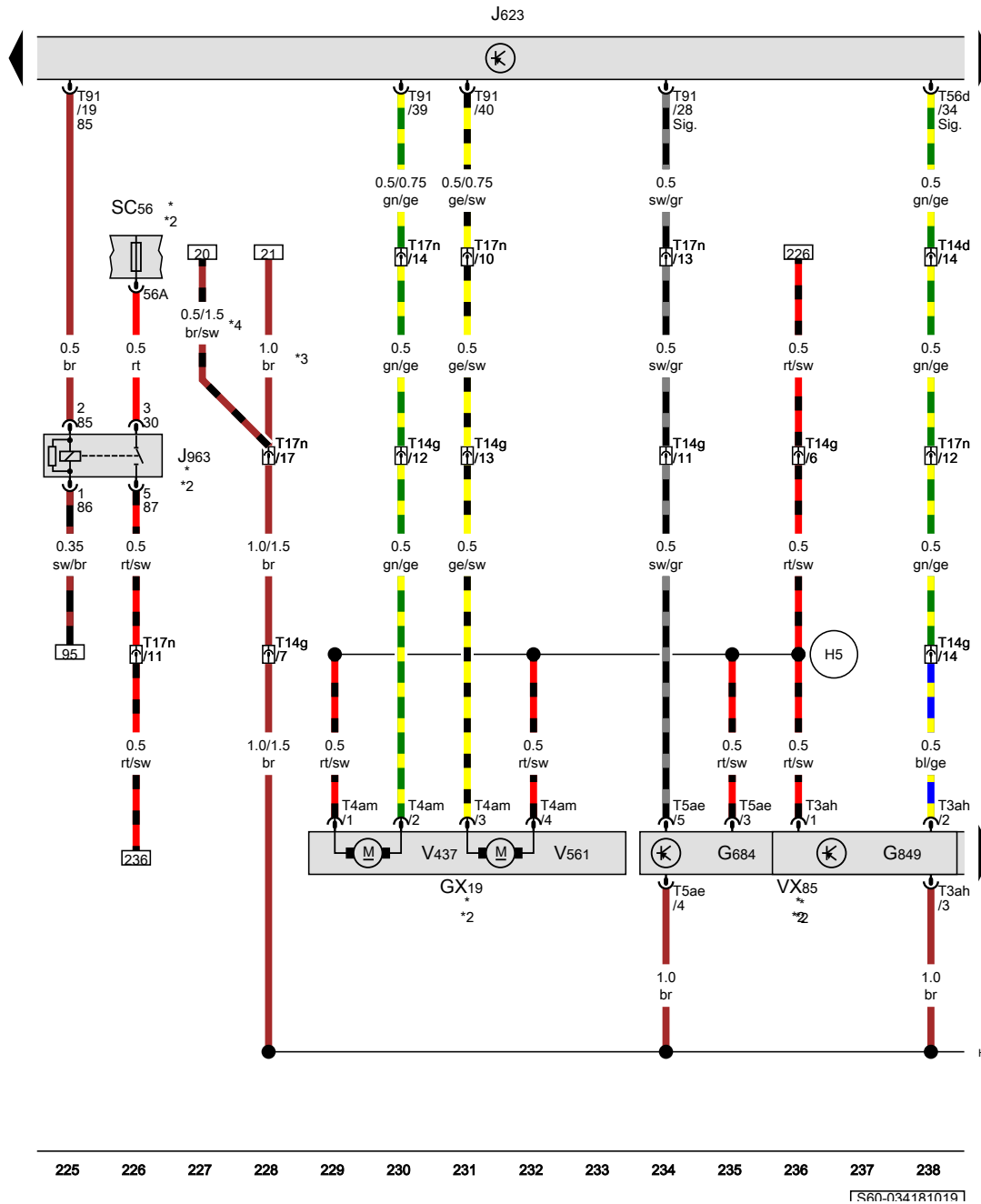
NOx sender, NOx sender 2, Particulate sensor, Engine/motor control unit, Fuse 34 on fuse holder C

- G295 NOx sender
- G687 NOx sender 2
- G784 Particulate sensor
- J583 Control unit for NOx sender
- J623 Engine/motor control unit
- J849 Control unit for sensor electronics
- J881 Control unit for NOx sender 2
- SC34 Fuse 34 on fuse holder C
- T4bg 4-pin connector, black
- T5ac 5-pin connector, black
- T5ad 5-pin connector, black
- T14e 14-pin connector, grey, near right headlight
- T17e 17-pin connector, red, near handbrake lever
- T91 91-pin connector, black

- (65) Earth point, on rear of left longitudinal member
- (68) Earth point, on left of rear cross member
- (196) Earth connection 3, in rear wiring harness
- (B355) Positive connection 6 (87a) in main wiring harness
- (B384) Connection 2 (powertrain CAN bus, high), in main wiring harness
- (B391) Connection 2 (powertrain CAN bus, low), in main wiring harness
- * For models with Euro 6 emission standard
- *2 Not for models with equipment for Brazil
- *3 Pre-wired component

- ws = white
- sw = black
- ro = red
- rt = red
- br = brown
- gn = green
- bl = blue
- gr = grey
- li = purple
- vi = purple
- ge = yellow
- or = orange
- rs = pink

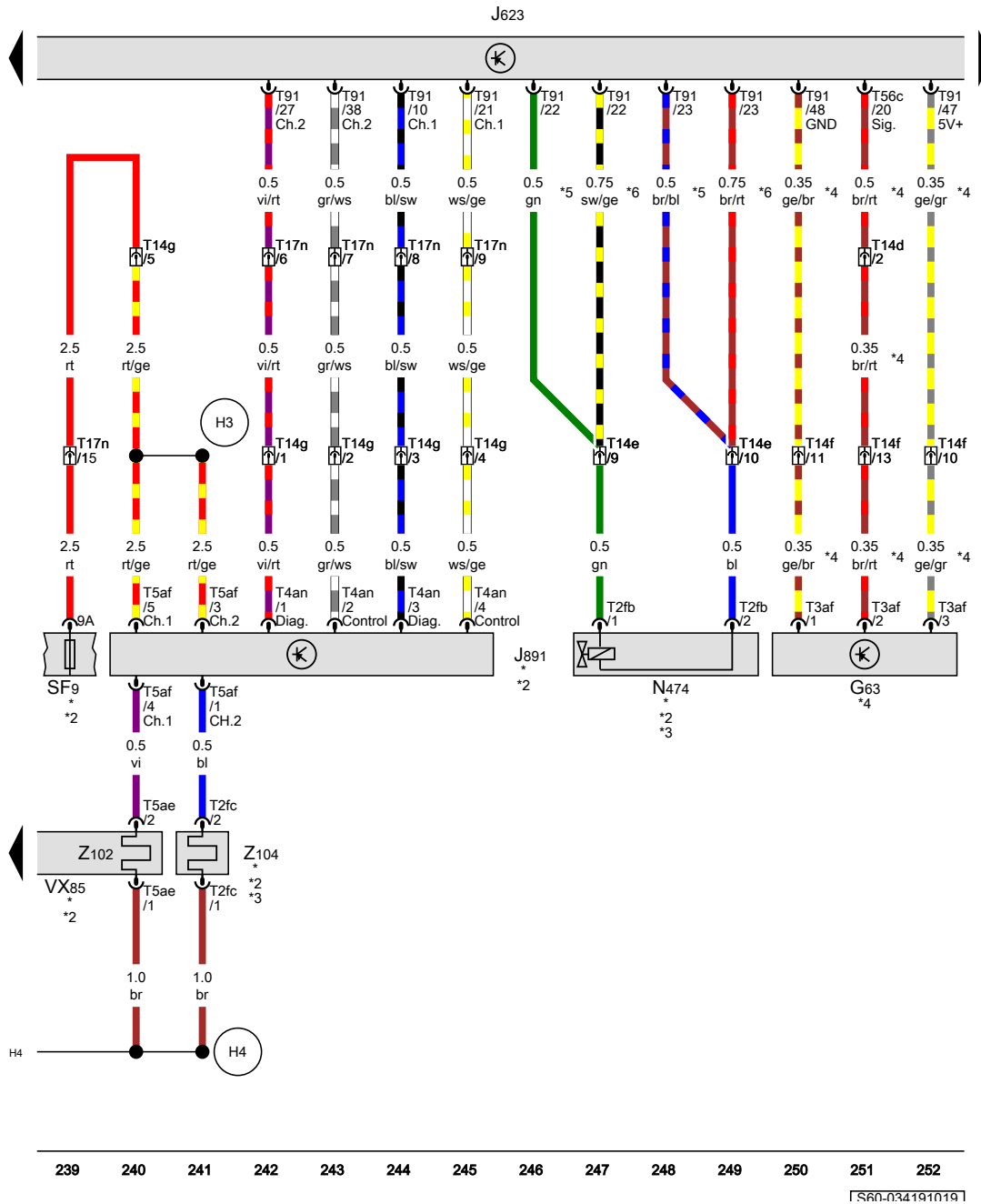
TS60-034171019



Delivery unit for reducing agent metering system, Engine/motor control unit, Relay for reducing agent metering system, Fuse 56 on fuse holder C, Reducing agent tank

- GX19 Delivery unit for reducing agent metering system, on reducing-agent tank
 - G684 Tank sender for reducing agent, in reducing agent tank
 - G849 Reducing agent quality sensor, in reducing agent tank
 - J623 Engine/motor control unit
 - J963 Relay for reducing agent metering system
 - SC56 Fuse 56 on fuse holder C
 - T3ah 3-pin connector, black
 - T4am 4-pin connector, black
 - T5ae 5-pin connector, black
 - T14d 14-pin connector, black, near battery
 - T14g 14-pin connector, grey, rear
 - T17n 17-pin connector, green, near handbrake lever
 - T56d 56-pin connector, black
 - VX85 Reducing agent tank
 - V437 Pump for reducing agent, on reducing-agent tank
 - V561 Reducing agent return flow pump, on reducing-agent tank
- H4 Connection 2 in wiring harness for reducing agent tank
 - H5 Connection 3 in wiring harness for reducing agent tank
- * For models with Euro 6 emission standard
 - *2 Not for models with equipment for Brazil
 - *3 Up to February 2017
 - *4 From February 2017

- ws = white
- sw = black
- ro = red
- rt = red
- br = brown
- gn = green
- bl = blue
- gr = grey
- li = purple
- vi = purple
- ge = yellow
- or = orange
- rs = pink

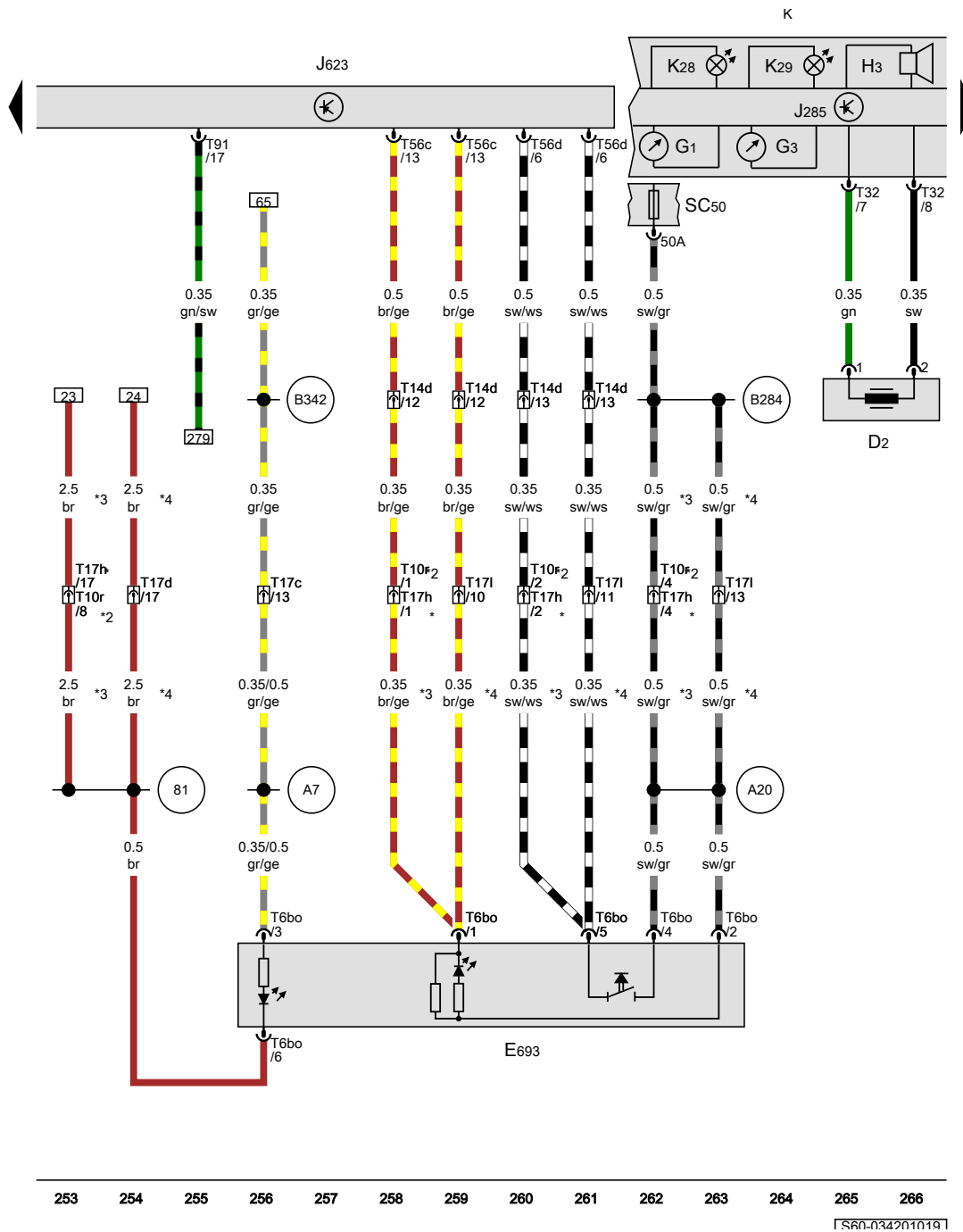


Water separator sender, Engine/motor control unit, Control unit for reducing agent heater, Injector for reducing agent, Fuse 9 in fuse holder F, Reducing agent tank, Heater for reducing agent line (heater circuit 2)

- G63 Water separator sender
- J623 Engine/motor control unit
- J891 Control unit for reducing agent heater
- N474 Injector for reducing agent
- SF9 Fuse 9 in fuse holder F
- T2fb 2-pin connector, black
- T2fc 2-pin connector, black
- T3af 3-pin connector, brown
- T4an 4-pin connector, black
- T5ae 5-pin connector, black
- T5af 5-pin connector, colourless
- T14d 14-pin connector, black, near battery
- T14e 14-pin connector, grey, near right headlight
- T14f 14-pin connector, black, near right headlight
- T14g 14-pin connector, grey, rear
- T17n 17-pin connector, green, near handbrake lever
- T56c 56-pin connector, black
- T91 91-pin connector, black
- VX85 Reducing agent tank
- Z102 Heater for reducing agent tank (heater circuit 1), in reducing agent tank
- Z104 Heater for reducing agent line (heater circuit 2)

- H3 Connection 1 in wiring harness for reducing agent tank
- H4 Connection 2 in wiring harness for reducing agent tank

- * For models with Euro 6 emission standard
- *2 Not for models with equipment for Brazil
- *3 Pre-wired component
- *4 Country specific
- *5 Up to April 2017
- *6 From April 2017



Start/Stop operation button, Engine/motor control unit, Dash panel insert, Fuse 50 on fuse holder C

- D2 Immobiliser reader coil
- E693 Start/Stop operation button
- G1 Fuel gauge
- G3 Coolant temperature gauge
- H3 Buzzer and gong
- J285 Control unit in dash panel insert
- J623 Engine/motor control unit
- K Dash panel insert
- K28 Coolant temperature and coolant shortage warning lamp
- K29 Glow period warning lamp
- SC50 Fuse 50 on fuse holder C
- T6bo 6-pin connector, grey
- T10r 10-pin connector, blue, behind dash panel
- T14d 14-pin connector, black, near battery
- T17c 17-pin connector, white, behind dash panel
- T17d 17-pin connector, green, behind dash panel
- T17h 17-pin connector, blue, behind dash panel
- T17i 17-pin connector, brown, behind dash panel
- T32 32-pin connector, blue
- T56c 56-pin connector, black
- T56d 56-pin connector, black
- T91 91-pin connector, black

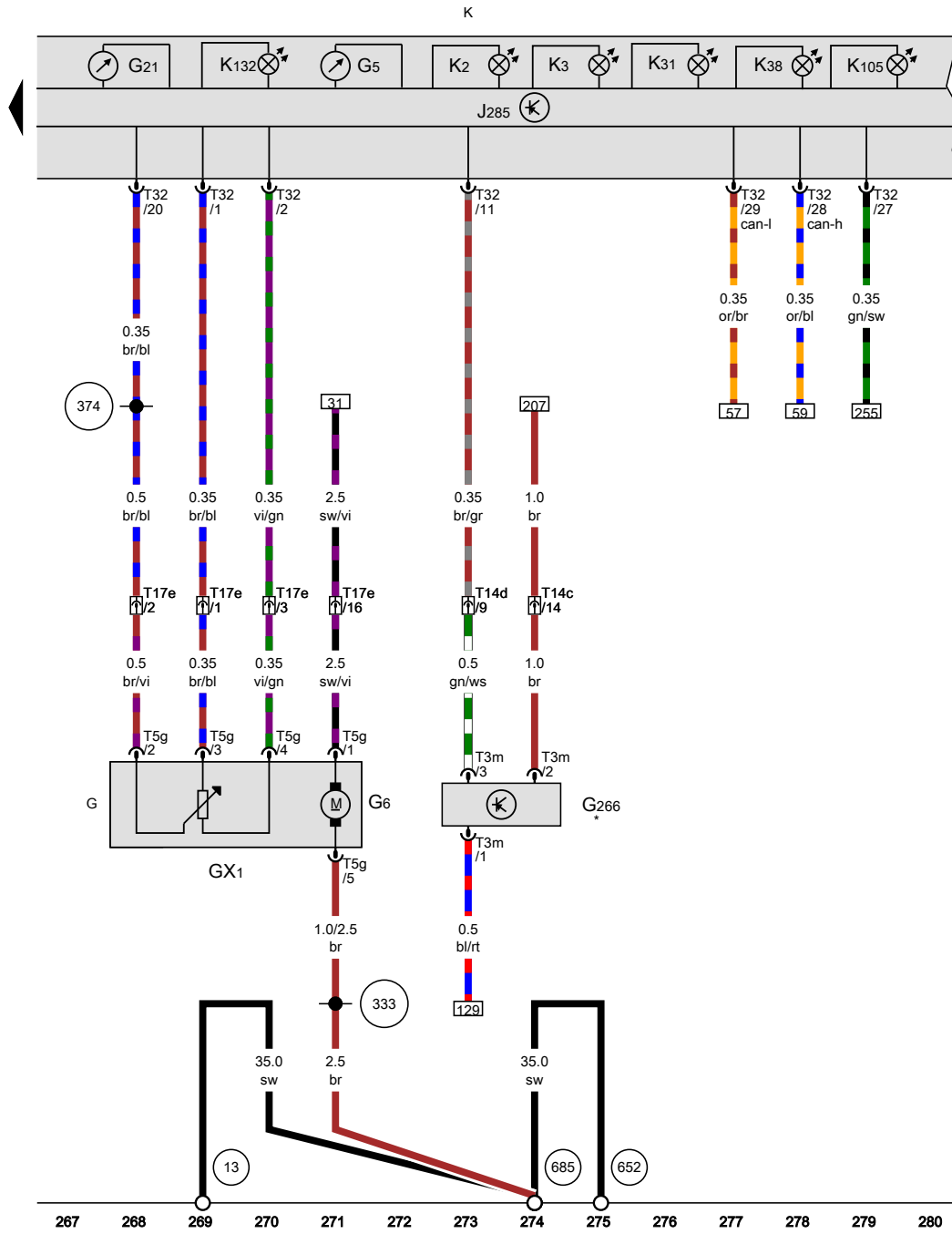
- 81 Earth connection 1, in dash panel wiring harness
- A7 Positive connection (58 D1), in dash panel wiring harness
- A20 Positive connection (15a), in dash panel wiring harness
- B284 Positive connection 8 (15a) in main wiring harness
- B342 Connection 3 (58d), in main wiring harness

- * For left-hand drive models
- *2 For right-hand drive models
- *3 Up to January 2018
- *4 From January 2018

- ws = white
- sw = black
- ro = red
- rt = red
- br = brown
- gn = green
- bl = blue
- gr = grey
- li = purple
- vi = purple
- ge = yellow
- or = orange
- rs = pink

253 254 255 256 257 258 259 260 261 262 263 264 265 266

1S60-0342010191



Fuel system pressurisation pump, Oil level and oil temperature sender, Dash panel insert

- G Fuel gauge sender
- GX1 Fuel delivery unit
- G5 Rev. counter
- G6 Fuel system pressurisation pump
- G21 Speedometer
- G266 Oil level and oil temperature sender
- J285 Control unit in dash panel insert
- K Dash panel insert
- K2 Alternator warning lamp
- K3 Oil pressure warning lamp
- K31 Cruise control system warning lamp
- K38 Oil level warning lamp
- K105 Reserve fuel warning lamp
- K132 Electronic power control fault lamp
- T3m 3-pin connector, black
- T5g 5-pin connector, black
- T14c 14-pin connector, grey, near battery
- T14d 14-pin connector, black, near battery
- T17e 17-pin connector, red, near handbrake lever
- T32 32-pin connector, blue

- 13 Earth point, on right in engine compartment
- 333 Earth connection 5, in rear wiring harness
- 374 Earth connection 9, in main wiring harness
- 652 Earth point, engine and gearbox earth
- 685 Earth point 1, on front of right longitudinal member

* According to equipment

- ws = white
- sw = black
- ro = red
- rt = red
- br = brown
- gn = green
- bl = blue
- gr = grey
- li = purple
- vi = purple
- ge = yellow
- or = orange
- rs = pink

1S60-0342110191

Adjustable seat , (3L5)

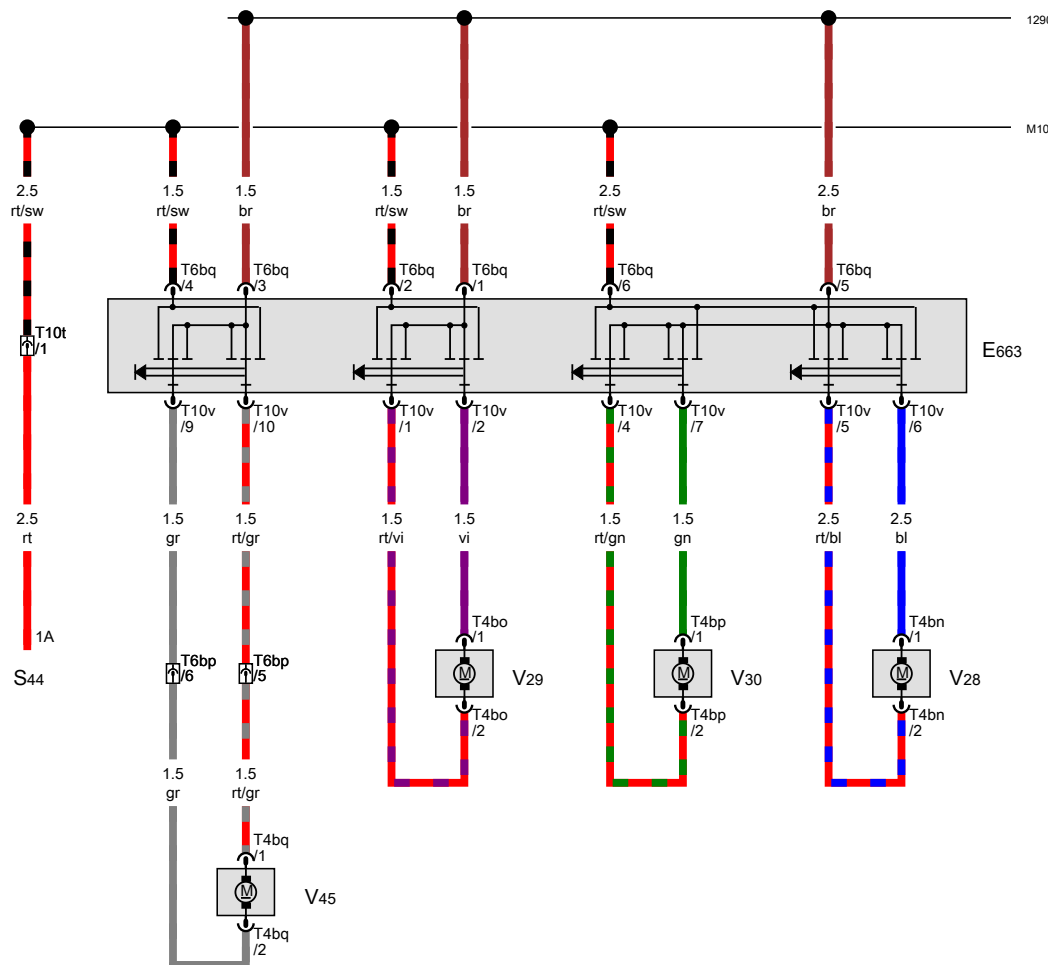
From June 2016

Switch module for driver seat, Driver seat adjustment thermal fuse 1, Driver seat longitudinal adjustment motor, Driver seat front height adjustment motor, Driver seat rear height adjustment motor, Driver seat backrest adjustment motor

- E663 Switch module for driver seat
- S44 Driver seat adjustment thermal fuse 1
- T4bn 4-pin connector, black
- T4bo 4-pin connector, black
- T4bp 4-pin connector, black
- T4bq 4-pin connector, black
- T6bp 6-pin connector, black, in driver seat
- T6bq 6-pin connector, black
- T10t 10-pin connector, black, under driver seat
- T10v 10-pin connector, black
- V28 Driver seat longitudinal adjustment motor
- V29 Driver seat front height adjustment motor
- V30 Driver seat rear height adjustment motor
- V45 Driver seat backrest adjustment motor

1290 Earth connection 1, in front left seat wiring harness

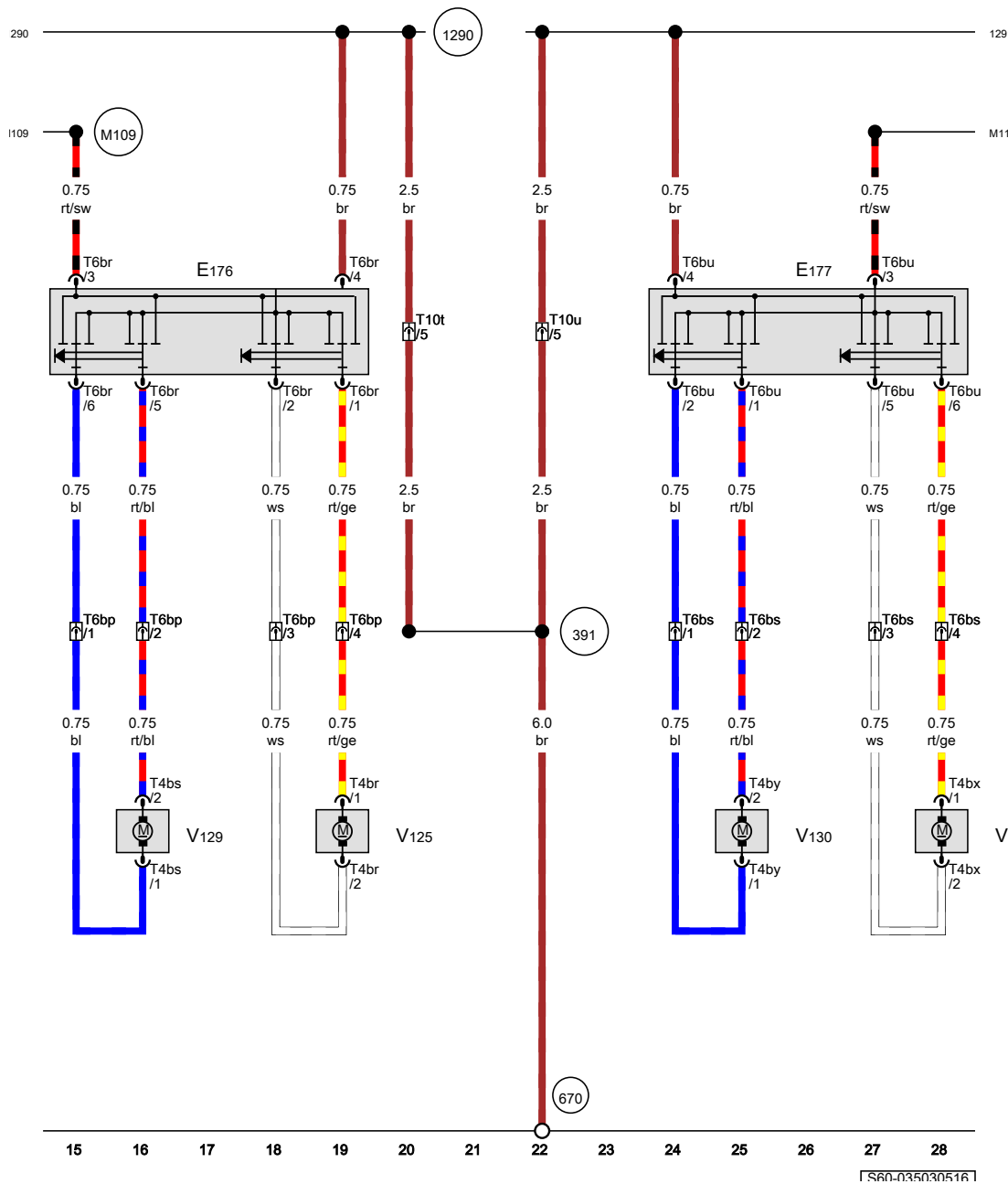
M109 Connection 1 (30), in front left seat wiring harness



- ws = white
- sw = black
- ro = red
- rt = red
- br = brown
- gn = green
- bl = blue
- gr = grey
- li = purple
- vi = purple
- ge = yellow
- or = orange
- rs = pink

1 2 3 4 5 6 7 8 9 10 11 12 13 14

1S60-0350205161



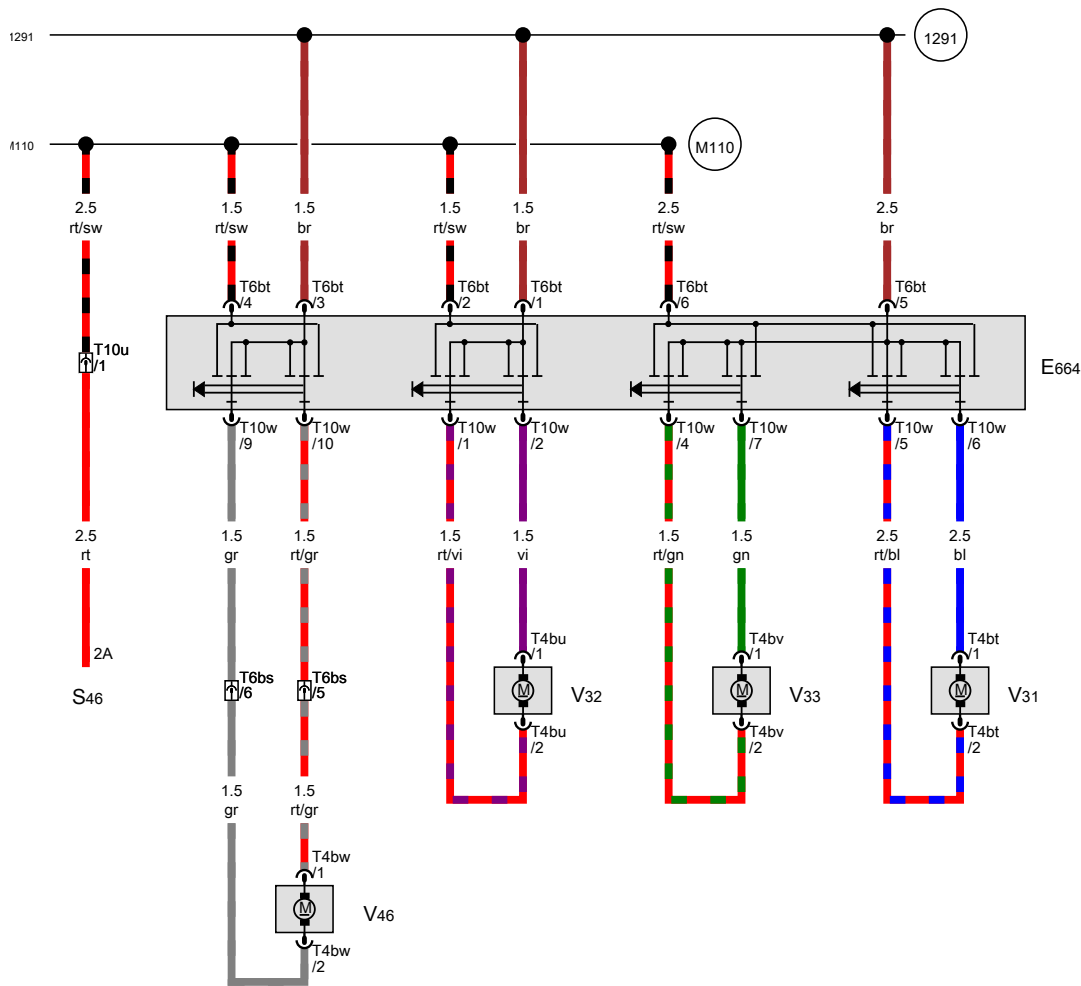
Driver seat lumbar support adjustment switch, Front passenger seat lumbar support adjustment switch, Driver seat lumbar support longitudinal adjustment motor, Front passenger seat lumbar support longitudinal adjustment motor, Driver seat lumbar support height adjustment motor, Front passenger seat lumbar support height adjustment motor

- E176 Driver seat lumbar support adjustment switch
- E177 Front passenger seat lumbar support adjustment switch
- T4br 4-pin connector, black
- T4bs 4-pin connector, black
- T4bx 4-pin connector, black
- T4by 4-pin connector, black
- T6bp 6-pin connector, black, in driver seat
- T6br 6-pin connector, black
- T6bs 6-pin connector, black, in front passenger seat
- T6bu 6-pin connector, black
- T10t 10-pin connector, black, under driver seat
- T10u 10-pin connector, black, under front passenger seat
- V125 Driver seat lumbar support longitudinal adjustment motor
- V126 Front passenger seat lumbar support longitudinal adjustment motor
- V129 Driver seat lumbar support height adjustment motor
- V130 Front passenger seat lumbar support height adjustment motor

- (391) Earth connection 26, in main wiring harness
- (670) Earth point 2, left A-pillar
- (1290) Earth connection 1, in front left seat wiring harness
- (1291) Earth connection 1, in front right seat wiring harness
- (M109) Connection 1 (30), in front left seat wiring harness
- (M110) Connection 1 (30), in front right seat wiring harness

- ws = white
- sw = black
- ro = red
- rt = red
- br = brown
- gn = green
- bl = blue
- gr = grey
- li = purple
- vi = purple
- ge = yellow
- or = orange
- rs = pink

1560-035030516



Switch module for front passenger seat, Front passenger seat adjustment thermal fuse 1, Front passenger seat longitudinal adjustment motor, Front passenger seat front height adjustment motor, Front passenger seat rear height adjustment motor, Front passenger seat backrest adjustment motor

- E664 Switch module for front passenger seat
- S46 Front passenger seat adjustment thermal fuse 1
- T4bt 4-pin connector, black
- T4bu 4-pin connector, black
- T4bv 4-pin connector, black
- T4bw 4-pin connector, black
- T4bw 4-pin connector, black
- T6bs 6-pin connector, black, in front passenger seat
- T6bt 6-pin connector, black
- T10u 10-pin connector, black, under front passenger seat
- T10w 10-pin connector, black
- V31 Front passenger seat longitudinal adjustment motor
- V32 Front passenger seat front height adjustment motor
- V33 Front passenger seat rear height adjustment motor
- V46 Front passenger seat backrest adjustment motor

1291 Earth connection 1, in front right seat wiring harness

M110 Connection 1 (30), in front right seat wiring harness

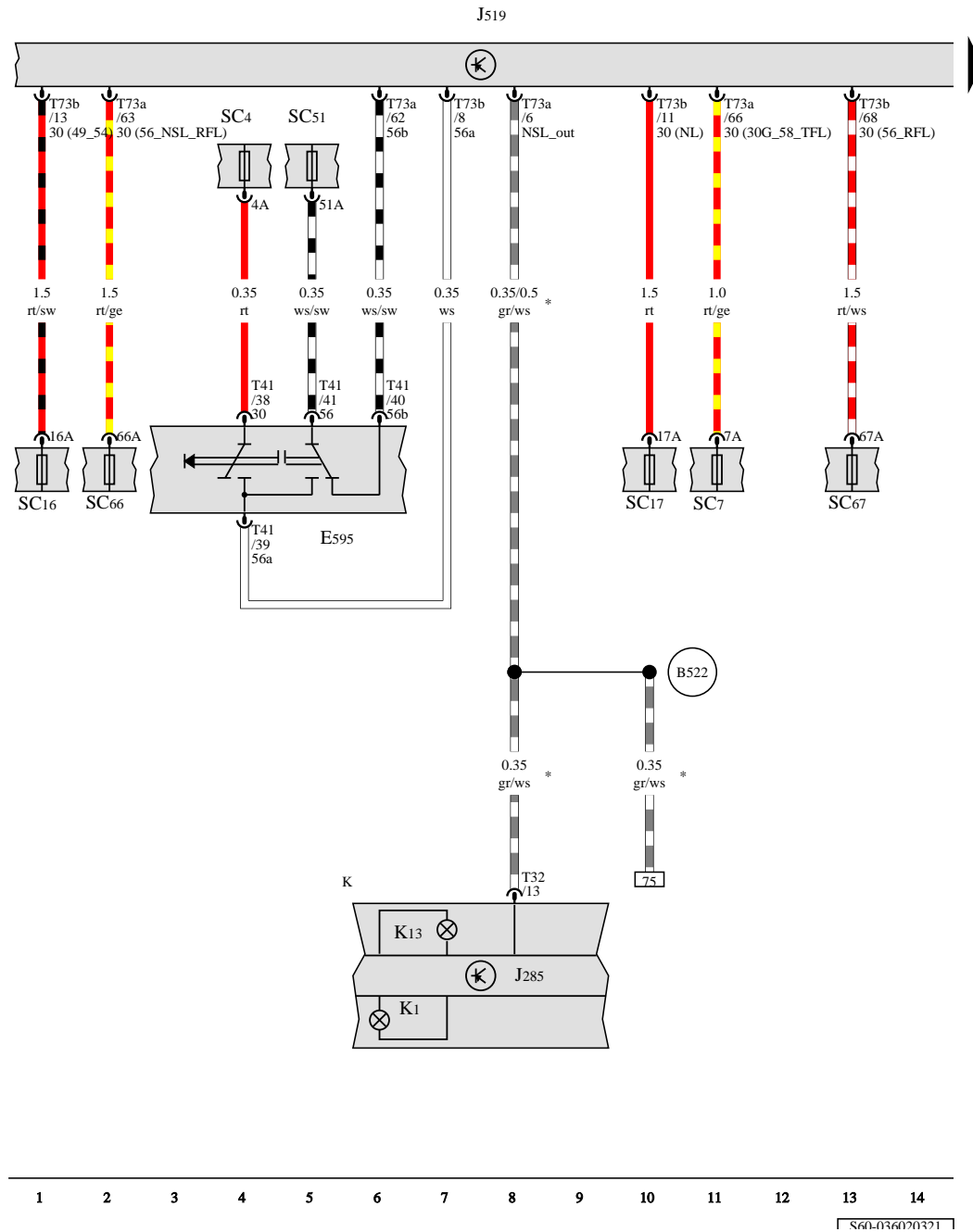
- ws = white
- sw = black
- ro = red
- rt = red
- br = brown
- gn = green
- bl = blue
- gr = grey
- li = purple
- vi = purple
- ge = yellow
- or = orange
- rs = pink

29 30 31 32 33 34 35 36 37 38 39 40 41 42

[S60-035040516]

Exterior lighting , (8ID)

From June 2016



Steering column combination switch, Onboard supply control unit, Dash panel insert, Fuse 4 on fuse holder C, Fuse 7 on fuse holder C, Fuse 16 on fuse holder C, Fuse 17 on fuse holder C, Fuse 51 on fuse holder C, Fuse 66 on fuse holder C, Fuse 67 on fuse holder C

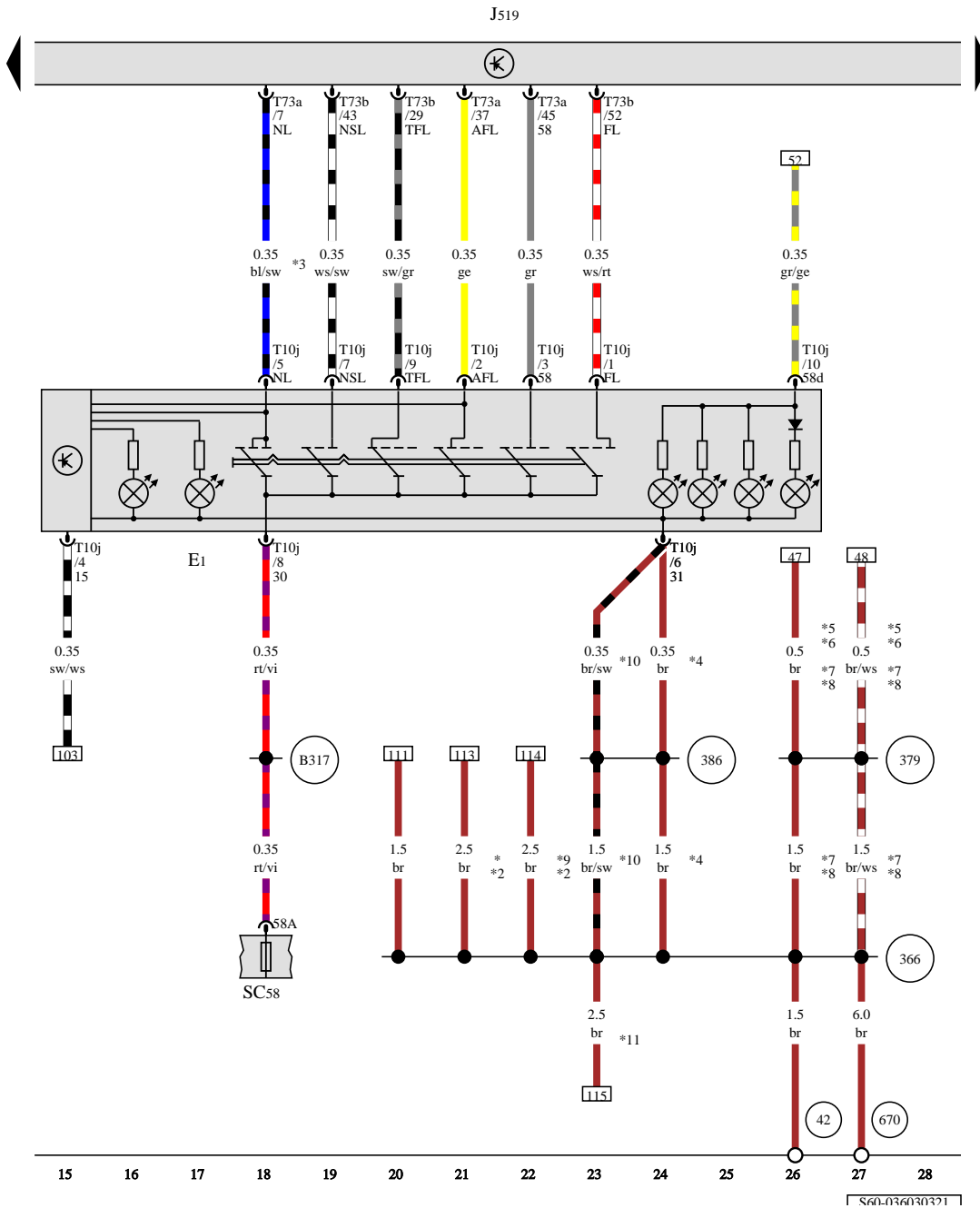
- E595 Steering column combination switch
 - J285 Control unit in dash panel insert
 - J519 Onboard supply control unit
 - K Dash panel insert
 - K1 Main beam warning lamp
 - K13 Rear fog light warning lamp
 - SC4 Fuse 4 on fuse holder C
 - SC7 Fuse 7 on fuse holder C
 - SC16 Fuse 16 on fuse holder C
 - SC17 Fuse 17 on fuse holder C
 - SC51 Fuse 51 on fuse holder C
 - SC66 Fuse 66 on fuse holder C
 - SC67 Fuse 67 on fuse holder C
 - T32 32-pin connector, blue
 - T41 41-pin connector, grey
 - T73a 73-pin connector, black
 - T73b 73-pin connector, colourless
- B522 Connection (FL), in main wiring harness
- * For models with rear fog light

- ws = white
- sw = black
- ro = red
- rt = red
- br = brown
- gn = green
- bl = blue
- gr = grey
- li = purple
- vi = purple
- ge = yellow
- or = orange
- rs = pink

1 2 3 4 5 6 7 8 9 10 11 12 13 14

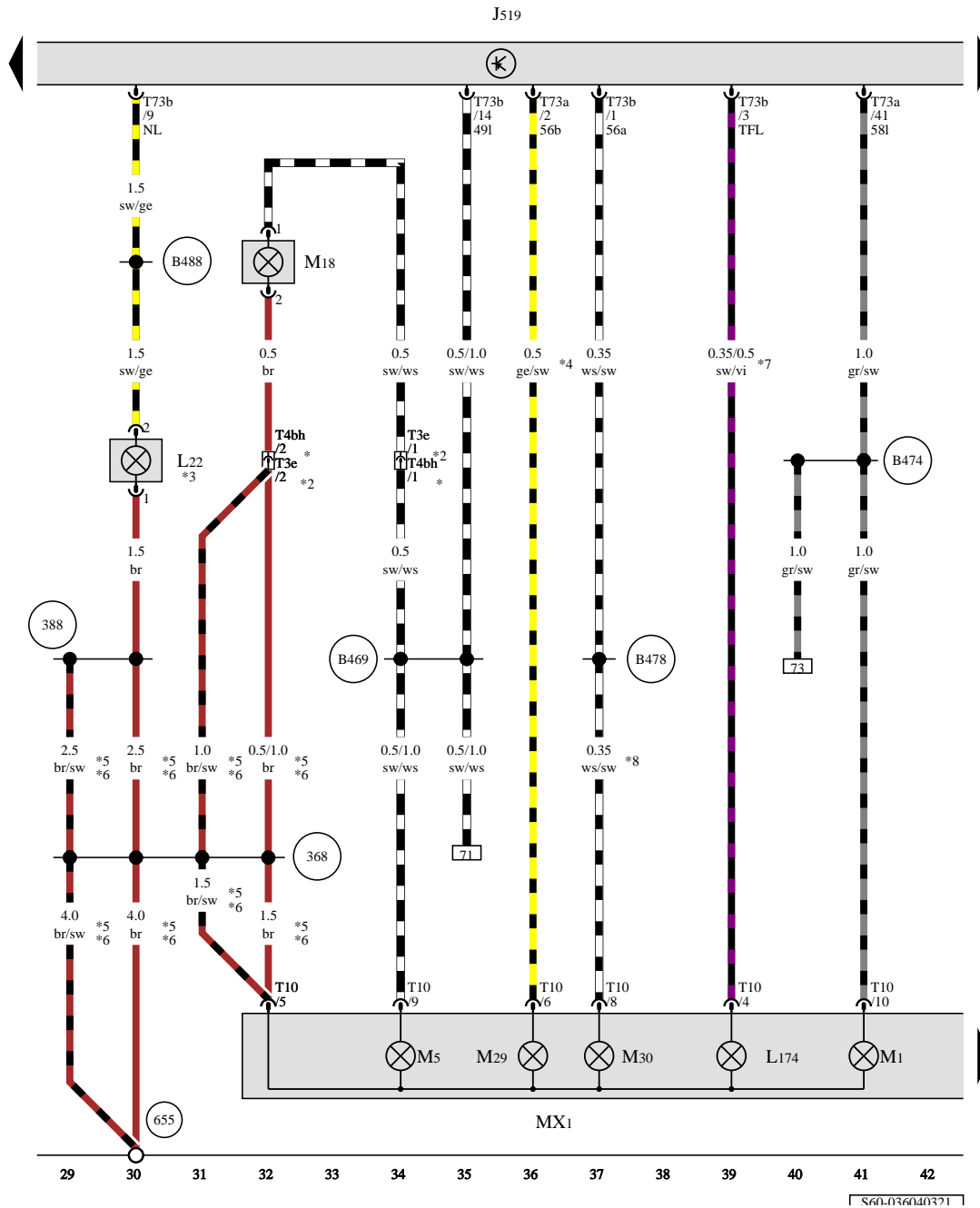
86L-036070371

Light switch, Onboard supply control unit, Fuse 58 on fuse holder C



- E1 Light switch
- J519 Onboard supply control unit
- SC58 Fuse 58 on fuse holder C
- T10j 10-pin connector, black
- T73a 73-pin connector, black
- T73b 73-pin connector, colourless
- 42 Earth point, next to steering column
- 366 Earth connection 1, in main wiring harness
- 379 Earth connection 14, in main wiring harness
- 386 Earth connection 21, in main wiring harness
- 670 Earth point 2, on left A-pillar
- B317 Positive connection 3 (30a) in main wiring harness
- * For left-hand drive models
- *2 Up to January 2018
- *3 For models with fog lights
- *4 Up to February 2017
- *5 For models with headlight range control
- *6 For models with Highline equipment
- *7 Wiring colour depends on equipment
- *8 see applicable current flow diagram for earthing concept
- *9 For right-hand drive models
- *10 From February 2017
- *11 From January 2018

ws = white
 sw = black
 ro = red
 rt = red
 br = brown
 gn = green
 bl = blue
 gr = grey
 li = purple
 vi = purple
 ge = yellow
 or = orange
 rs = pink



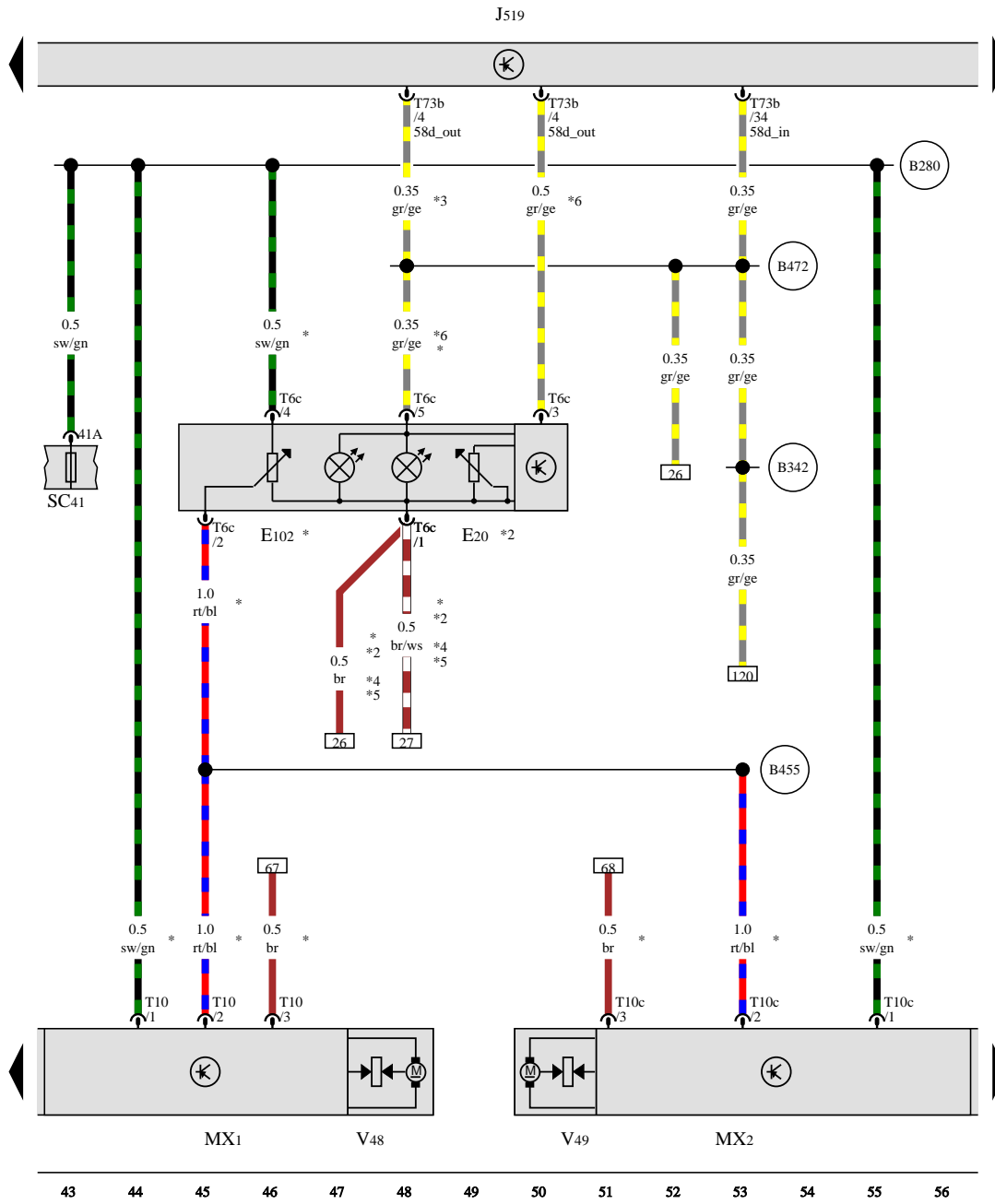
Onboard supply control unit, Left fog light bulb, Front left headlight, Left turn signal repeater bulb

- J519 Onboard supply control unit
- L22 Left fog light bulb
- L174 Left daytime running light bulb
- MX1 Front left headlight
- M1 Left side light bulb
- M5 Front left turn signal bulb
- M18 Left turn signal repeater bulb
- M29 Left headlight dipped beam bulb
- M30 Left headlight main beam bulb
- T3e 3-pin connector, black, in rear left of engine compartment
- T4bh 4-pin connector, black, in rear left of engine compartment
- T10 10-pin connector, black
- T73a 73-pin connector, black
- T73b 73-pin connector, colourless

- 368 Earth connection 3, in main wiring harness
- 388 Earth connection 23, in main wiring harness
- 655 Earth point, on left headlight, on left on bulkhead
- B469 Connection 5, in main wiring harness
- B474 Connection 10, in main wiring harness
- B478 Connection 14, in main wiring harness
- B488 Connection 24, in main wiring harness

- * For models with provision for side member lighting
- *2 For models with no provision for side member lighting
- *3 For models with fog lights
- *4 For models with no electric interface
- *5 Wiring colour depends on equipment
- *6 see applicable current flow diagram for earthing concept
- *7 For models with daytime running lights
- *8 For models with no auxiliary lights

- ws = white
- sw = black
- ro = red
- rt = red
- br = brown
- gn = green
- bl = blue
- gr = grey
- li = purple
- vi = purple
- ge = yellow
- or = orange
- rs = pink



Switch and instrument illumination regulator, Headlight range control regulator, Onboard supply control unit, Front left headlight, Front right headlight, Fuse 41 on fuse holder C, Left headlight range control motor, Right headlight range control motor

- E20 Switch and instrument illumination regulator
- E102 Headlight range control regulator
- J519 Onboard supply control unit
- MX1 Front left headlight
- MX2 Front right headlight
- SC41 Fuse 41 on fuse holder C
- T6c 6-pin connector, black
- T10 10-pin connector, black
- T10c 10-pin connector, black
- T73b 73-pin connector, colourless
- V48 Left headlight range control motor
- V49 Right headlight range control motor

(B280) Positive connection 4 (15a) in main wiring harness

(B342) Connection 3 (58d), in main wiring harness

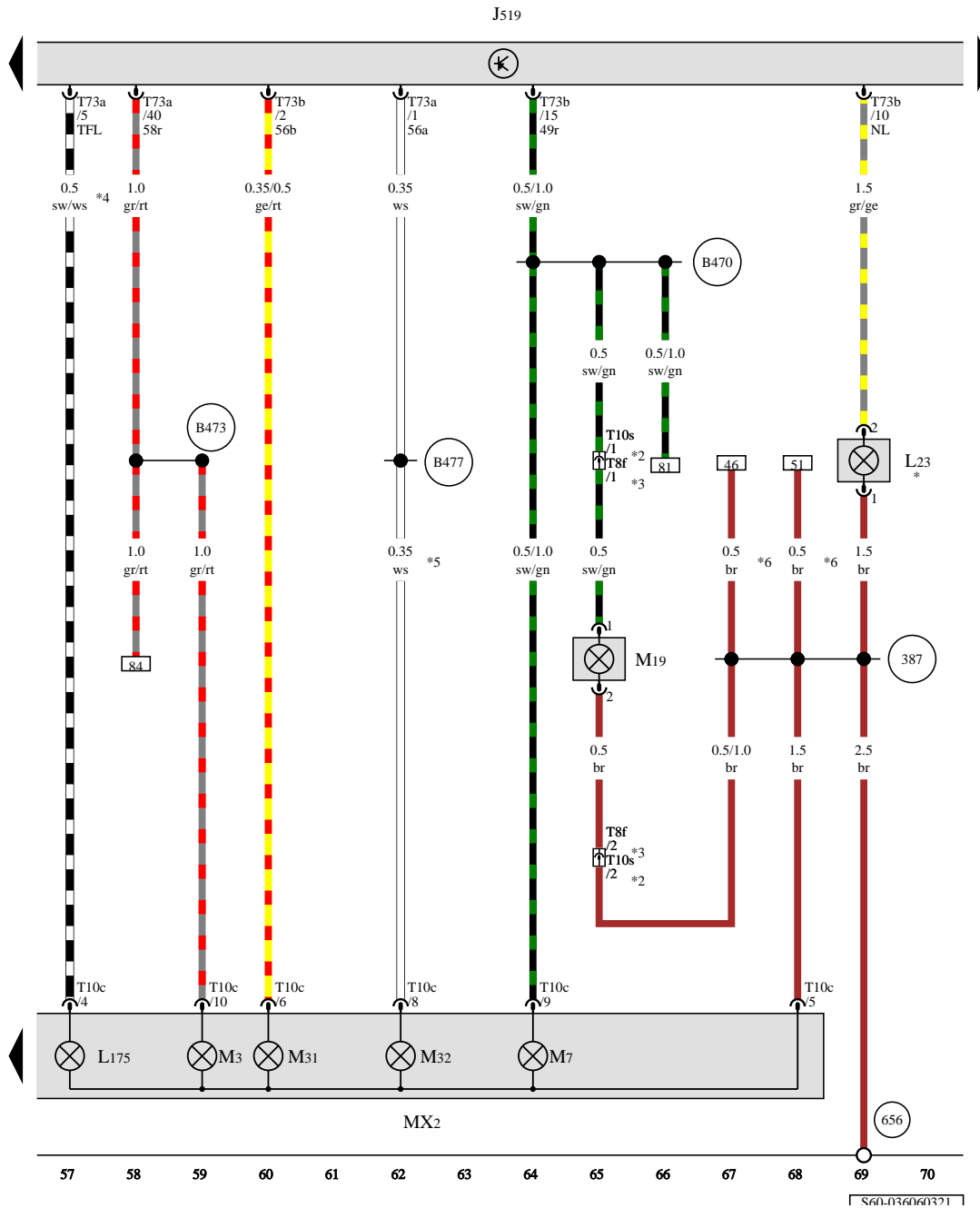
(B455) Connection (HRC), in main wiring harness

(B472) Connection 8, in main wiring harness

- * For models with headlight range control
- *2 For models with Highline equipment
- *3 For models with no dimmable instrument illumination
- *4 Wiring colour depends on equipment
- *5 see applicable current flow diagram for earthing concept
- *6 For models with dimmable instrument illumination

- ws = white
- sw = black
- ro = red
- rt = red
- br = brown
- gn = green
- bl = blue
- gr = grey
- li = purple
- vi = purple
- ge = yellow
- or = orange
- rs = pink

660.036050371



Onboard supply control unit, Right fog light bulb, Front right headlight, Right turn signal repeater bulb

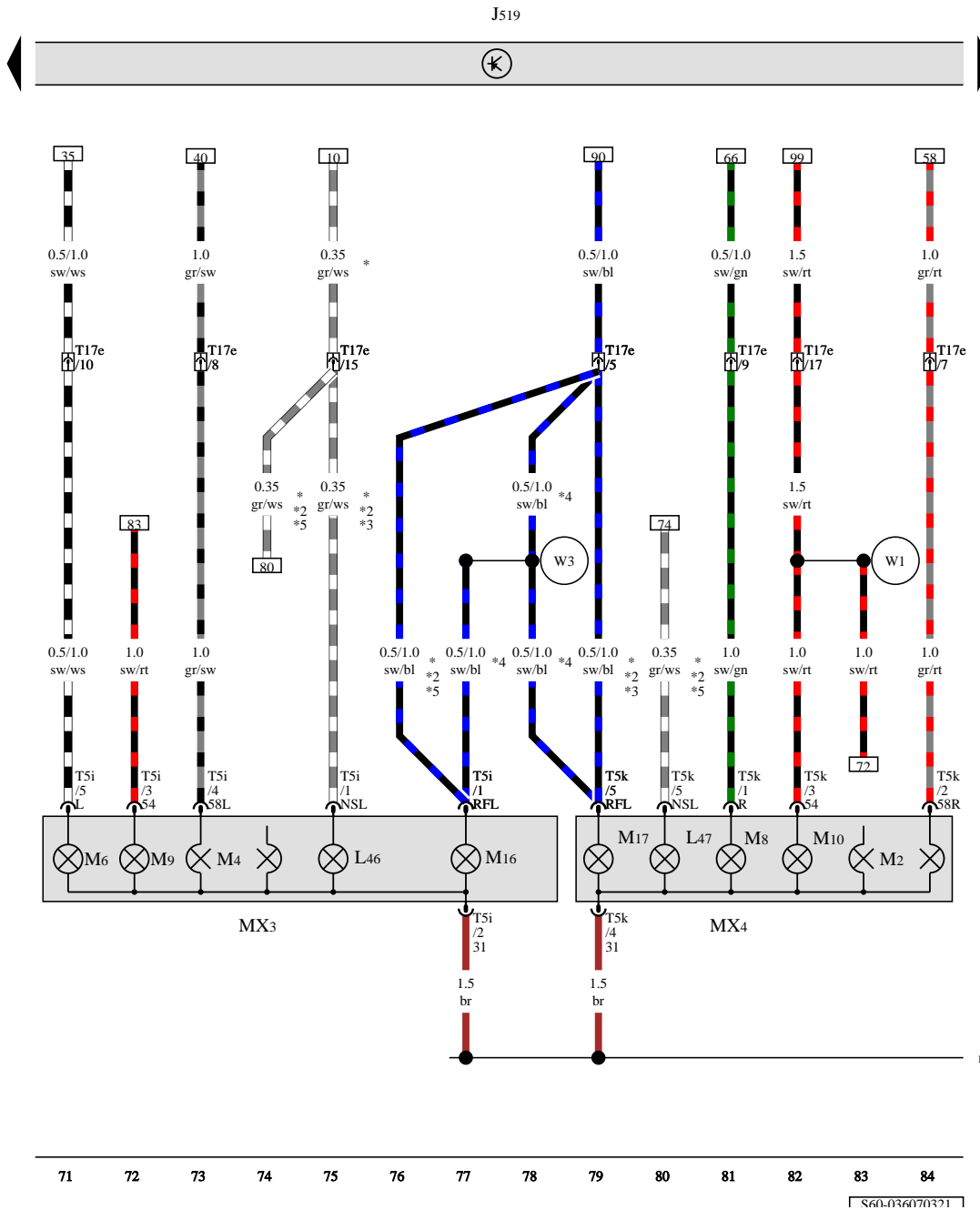
- J519 Onboard supply control unit
- L23 Right fog light bulb
- L175 Right daytime running light bulb
- MX2 Front right headlight
- M3 Right side light bulb
- M7 Front right turn signal bulb
- M19 Right turn signal repeater bulb
- M31 Right headlight dipped beam bulb
- M32 Right headlight main beam bulb
- T8f 8-pin connector, black, in rear right of engine compartment
- T10c 10-pin connector, black
- T10s 10-pin connector, black, in rear right of engine compartment
- T73a 73-pin connector, black
- T73b 73-pin connector, colourless

- 387 Earth connection 22, in main wiring harness
- 656 Earth point, on right headlight, on right on bulkhead
- B470 Connection 6, in main wiring harness
- B473 Connection 9, in main wiring harness
- B477 Connection 13, in main wiring harness

- * For models with fog lights
- *2 For models with provision for side member lighting
- *3 For models with no provision for side member lighting
- *4 For models with daytime running lights
- *5 For models with no auxiliary lights
- *6 For models with headlight range control

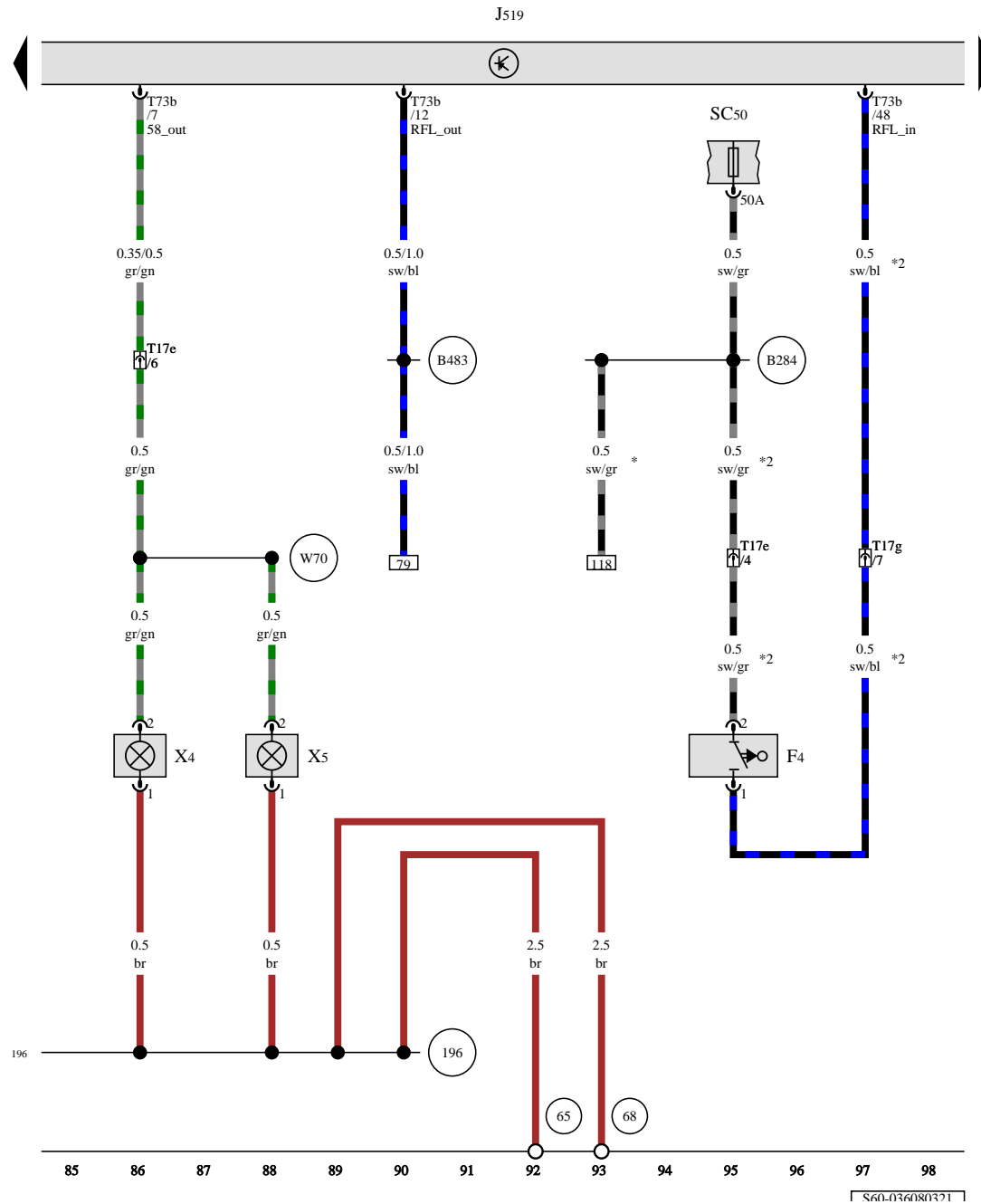
- ws = white
- sw = black
- ro = red
- rt = red
- br = brown
- gn = green
- bl = blue
- gr = grey
- li = purple
- vi = purple
- ge = yellow
- or = orange
- rs = pink

Onboard supply control unit, Left tail light cluster, Right tail light cluster



- J519 Onboard supply control unit
- L46 Rear left fog light bulb
- L47 Rear right fog light bulb
- M2 Right tail light bulb
- MX3 Left tail light cluster
- MX4 Right tail light cluster
- M4 Left tail light bulb
- M6 Rear left turn signal bulb
- M8 Rear right turn signal bulb
- M9 Left brake light bulb
- M10 Right brake light bulb
- M16 Left reversing light bulb
- M17 Right reversing light bulb
- T5i 5-pin connector, black
- T5k 5-pin connector, black
- T17e 17-pin connector, red, near handbrake lever
- 196 Earth connection 3, in rear wiring harness
- W1 Positive connection 1 (54), in rear wiring harness
- W3 Connection in rear wiring harness
- * For models with rear fog light
- *2 For models with no towing bracket; for models with towing bracket see current flow diagram for towing bracket
- *3 For left-hand drive models
- *4 For models with no rear fog light
- *5 For right-hand drive models

- ws = white
- sw = black
- ro = red
- rt = red
- br = brown
- gn = green
- bl = blue
- gr = grey
- li = purple
- vi = purple
- ge = yellow
- or = orange
- rs = pink



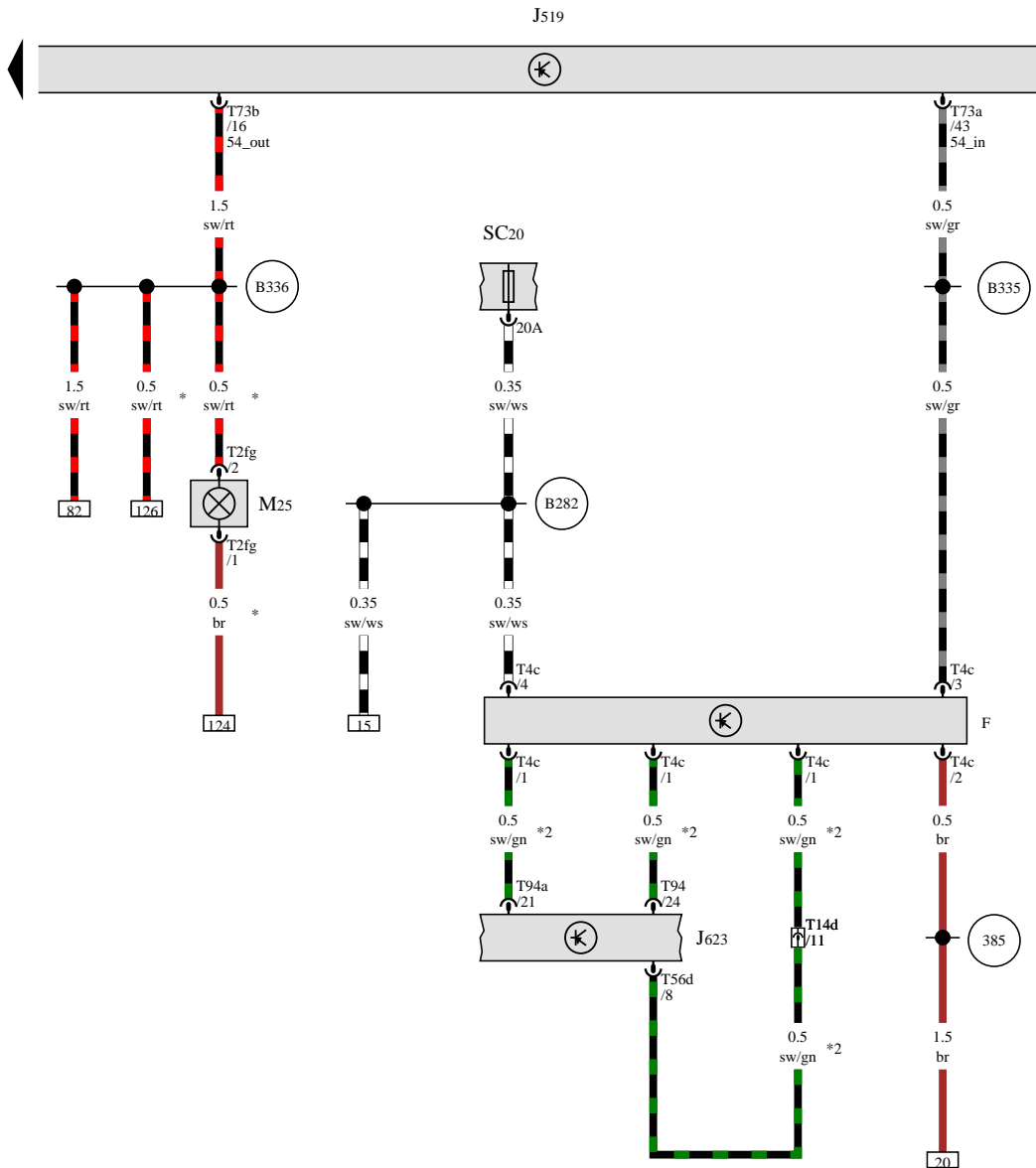
Reversing light switch, Onboard supply control unit, Fuse 50 on fuse holder C, Left number plate light, Right number plate light

- F4 Reversing light switch
- J519 Onboard supply control unit
- SC50 Fuse 50 on fuse holder C
- T17e 17-pin connector, red, near handbrake lever
- T17g 17-pin connector, black, near handbrake lever
- T73b 73-pin connector, colourless
- X4 Left number plate light
- X5 Right number plate light

- 65 Earth point, on rear of left longitudinal member
- 68 Earth point, on left of rear cross member
- 196 Earth connection 3, in rear wiring harness
- B284 Positive connection 8 (15a) in main wiring harness
- B483 Connection 19, in main wiring harness
- W70 Positive connection 2 (58), in number plate wiring harness
- * According to equipment
- *2 For models with manual gearbox

- ws = white
- sw = black
- ro = red
- rt = red
- br = brown
- gn = green
- bl = blue
- gr = grey
- li = purple
- vi = purple
- ge = yellow
- or = orange
- rs = pink

Brake light switch, Onboard supply control unit, High-level brake light bulb, Fuse 20 on fuse holder C

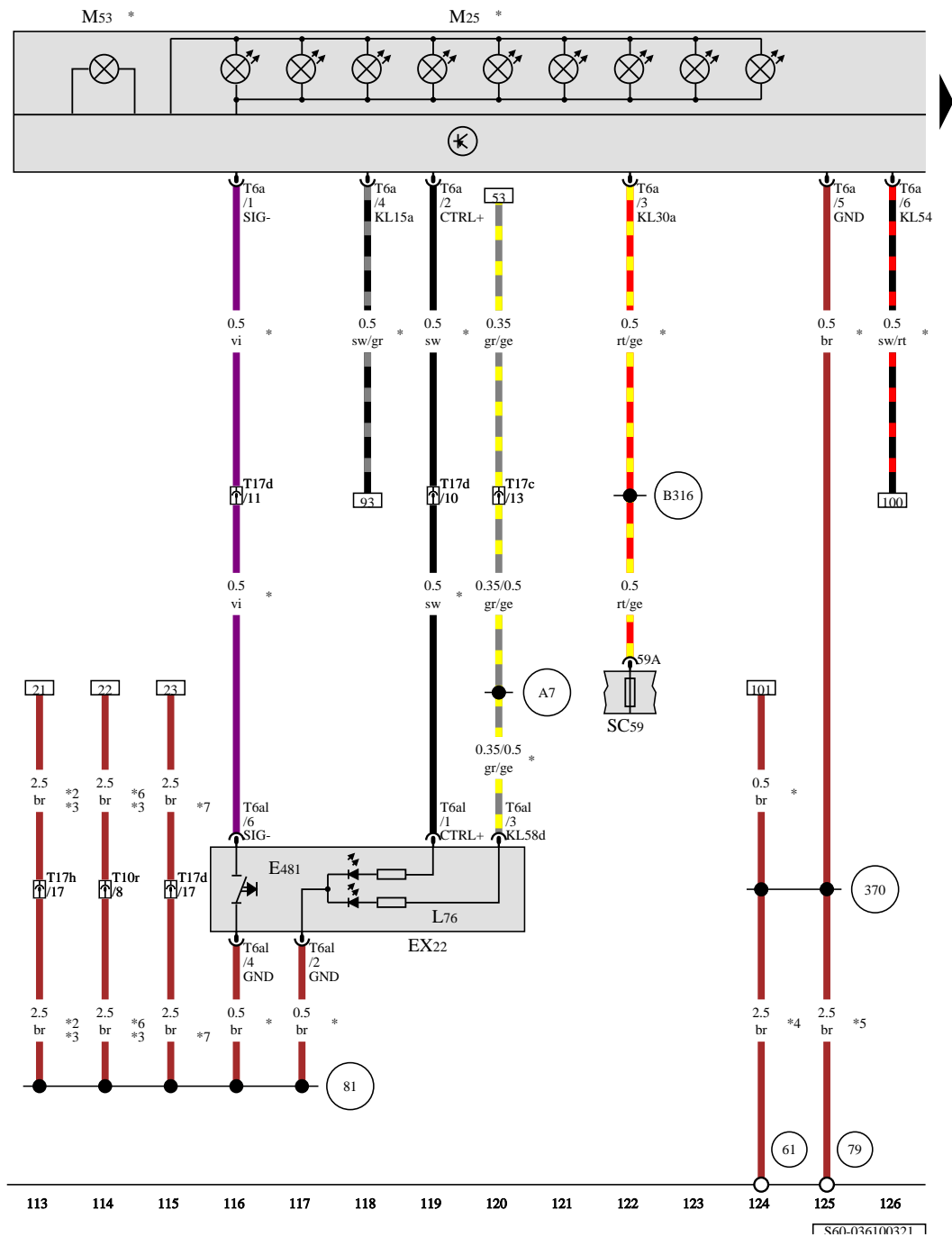


- F Brake light switch
- J519 Onboard supply control unit
- J623 Engine/motor control unit
- M25 High-level brake light bulb
- SC20 Fuse 20 on fuse holder C
- T2fg 2-pin connector, black
- T4c 4-pin connector, black
- T14d 14-pin connector, black, near battery
- T56d 56-pin connector, black
- T73a 73-pin connector, black
- T73b 73-pin connector, colourless
- T94 94-pin connector, black
- T94a 94-pin connector, black

- (385) Earth connection 20, in main wiring harness
- (B282) Positive connection 6 (15a) in main wiring harness
- (B335) Connection 1 (54), in main wiring harness
- (B336) Connection 2 (54), in main wiring harness

* According to equipment
 *2 see applicable current flow diagram for engine

- ws = white
- sw = black
- ro = red
- rt = red
- br = brown
- gn = green
- bl = blue
- gr = grey
- li = purple
- vi = purple
- ge = yellow
- or = orange
- rs = pink



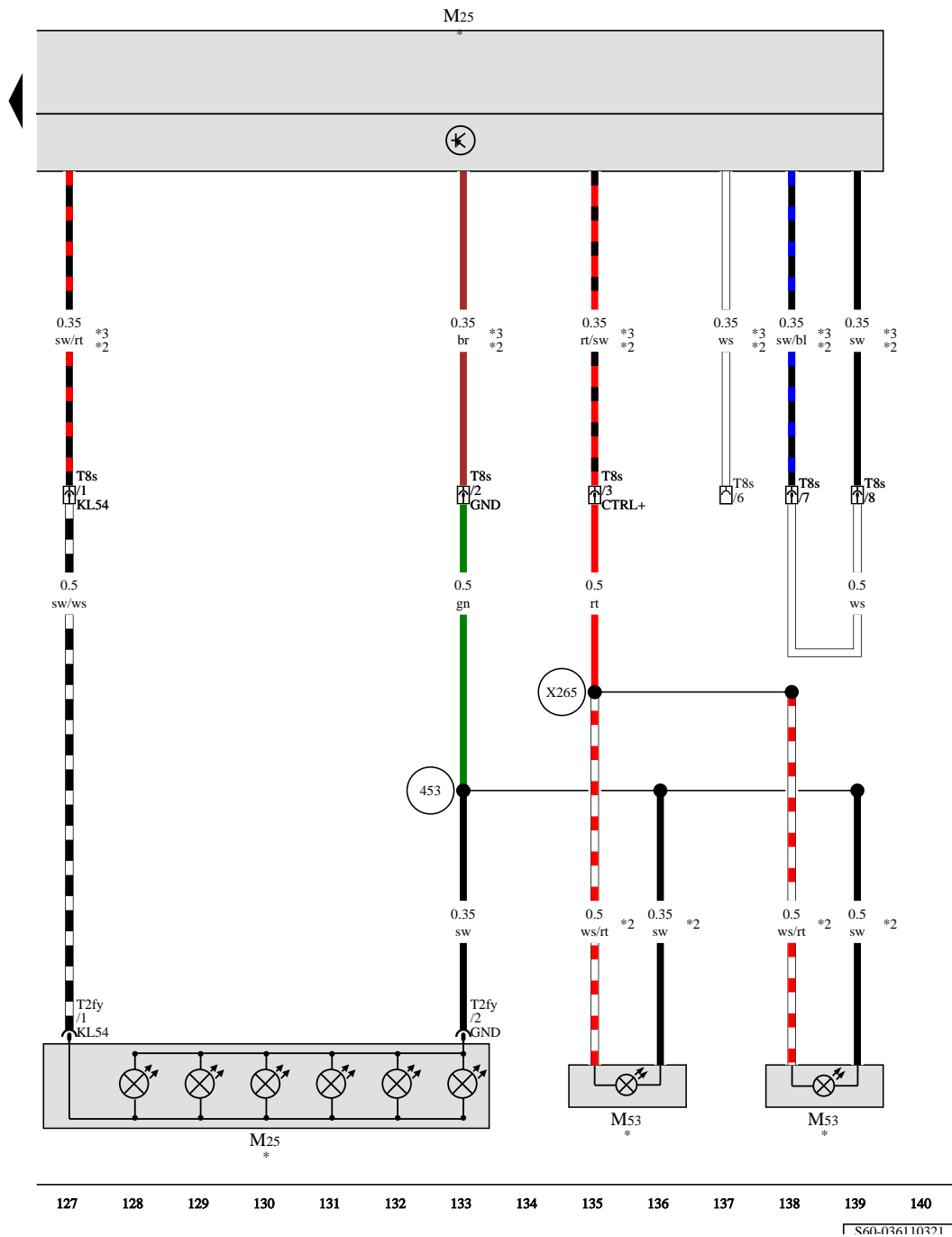
Load area illumination switch, High-level brake light bulb, Load area illumination bulb, Fuse 59 on fuse holder C

- EX22 Centre switch module in dash panel
- E481 Load area illumination switch
- L76 Button illumination bulb
- M25 High-level brake light bulb
- M53 Load area illumination bulb
- SC59 Fuse 59 on fuse holder C
- T6a 6-pin connector, black
- T6al 6-pin connector, red
- T10r 10-pin connector, blue, behind dash panel
- T17c 17-pin connector, white, behind dash panel
- T17d 17-pin connector, green, behind dash panel
- T17h 17-pin connector, blue, behind dash panel

- 61 Earth point, on left C-pillar
- 79 Earth point on left B-pillar
- 81 Earth connection 1, in dash panel wiring harness
- 370 Earth connection 5, in main wiring harness
- A7 Positive connection (58 D1), in dash panel wiring harness
- B316 Positive connection 2 (30a) in main wiring harness

- * According to equipment
- *2 For left-hand drive models
- *3 Up to January 2018
- *4 For models with double cab
- *5 For models with single cab
- *6 For right-hand drive models
- *7 From January 2018

- ws = white
- sw = black
- ro = red
- rt = red
- br = brown
- gn = green
- bl = blue
- gr = grey
- li = purple
- vi = purple
- ge = yellow
- or = orange
- rs = pink



High-level brake light bulb, Load area illumination bulb

- M25 High-level brake light bulb
- M53 Load area illumination bulb
- T2fy 2-pin connector
- T8s 8-pin connector

453 Earth connection 3, in optional equipment wiring harness

X265 Connection 12, in optional equipment wiring harness

- * According to equipment
- *2 Pre-wired component
- *3 Adapter wire

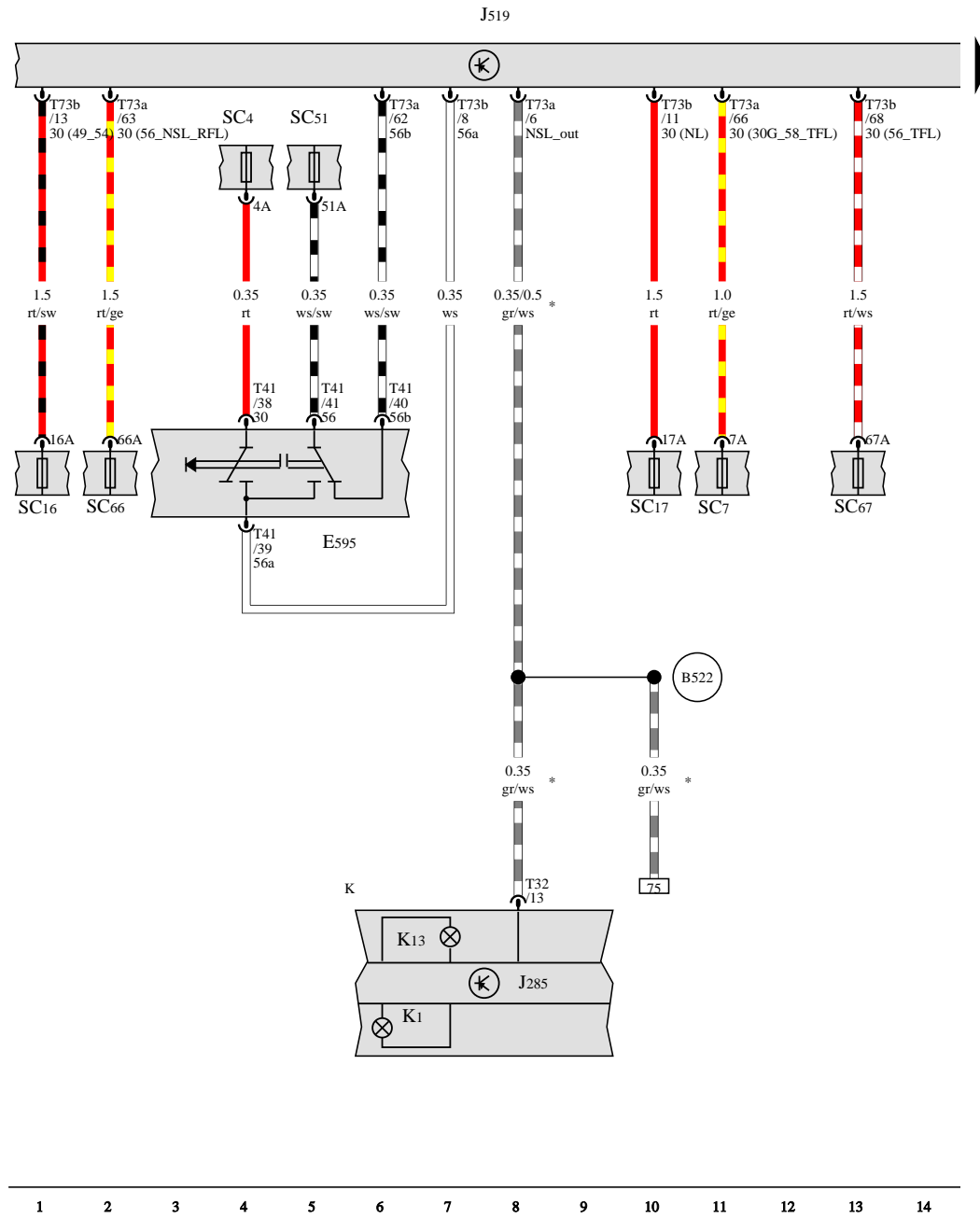
- ws = white
- sw = black
- ro = red
- rt = red
- br = brown
- gn = green
- bl = blue
- gr = grey
- li = purple
- vi = purple
- ge = yellow
- or = orange
- rs = pink

127 128 129 130 131 132 133 134 135 136 137 138 139 140

□ S60.036110321

Exterior lighting , (8IH)

From June 2016



Steering column combination switch, Onboard supply control unit, Dash panel insert, Fuse 4 on fuse holder C, Fuse 7 on fuse holder C, Fuse 16 on fuse holder C, Fuse 17 on fuse holder C, Fuse 51 on fuse holder C, Fuse 66 on fuse holder C, Fuse 67 on fuse holder C

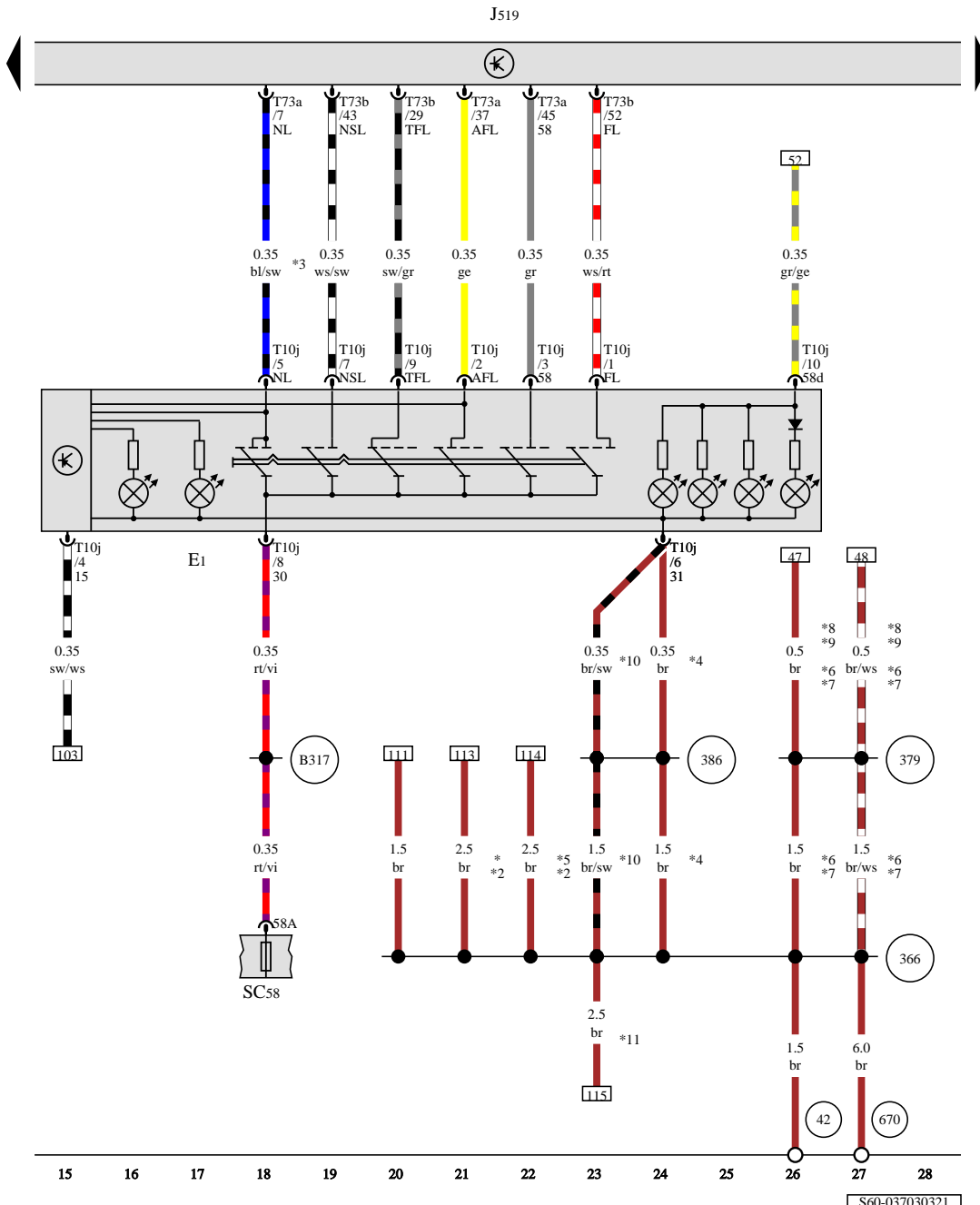
- E595 Steering column combination switch
 - J285 Control unit in dash panel insert
 - J519 Onboard supply control unit
 - K Dash panel insert
 - K1 Main beam warning lamp
 - K13 Rear fog light warning lamp
 - SC4 Fuse 4 on fuse holder C
 - SC7 Fuse 7 on fuse holder C
 - SC16 Fuse 16 on fuse holder C
 - SC17 Fuse 17 on fuse holder C
 - SC51 Fuse 51 on fuse holder C
 - SC66 Fuse 66 on fuse holder C
 - SC67 Fuse 67 on fuse holder C
 - T32 32-pin connector, blue
 - T41 41-pin connector, grey
 - T73a 73-pin connector, black
 - T73b 73-pin connector, colourless
- B522 Connection (FL), in main wiring harness
- * For models with rear fog light

- ws = white
- sw = black
- ro = red
- rt = red
- br = brown
- gn = green
- bl = blue
- gr = grey
- li = purple
- vi = purple
- ge = yellow
- or = orange
- rs = pink

1 2 3 4 5 6 7 8 9 10 11 12 13 14

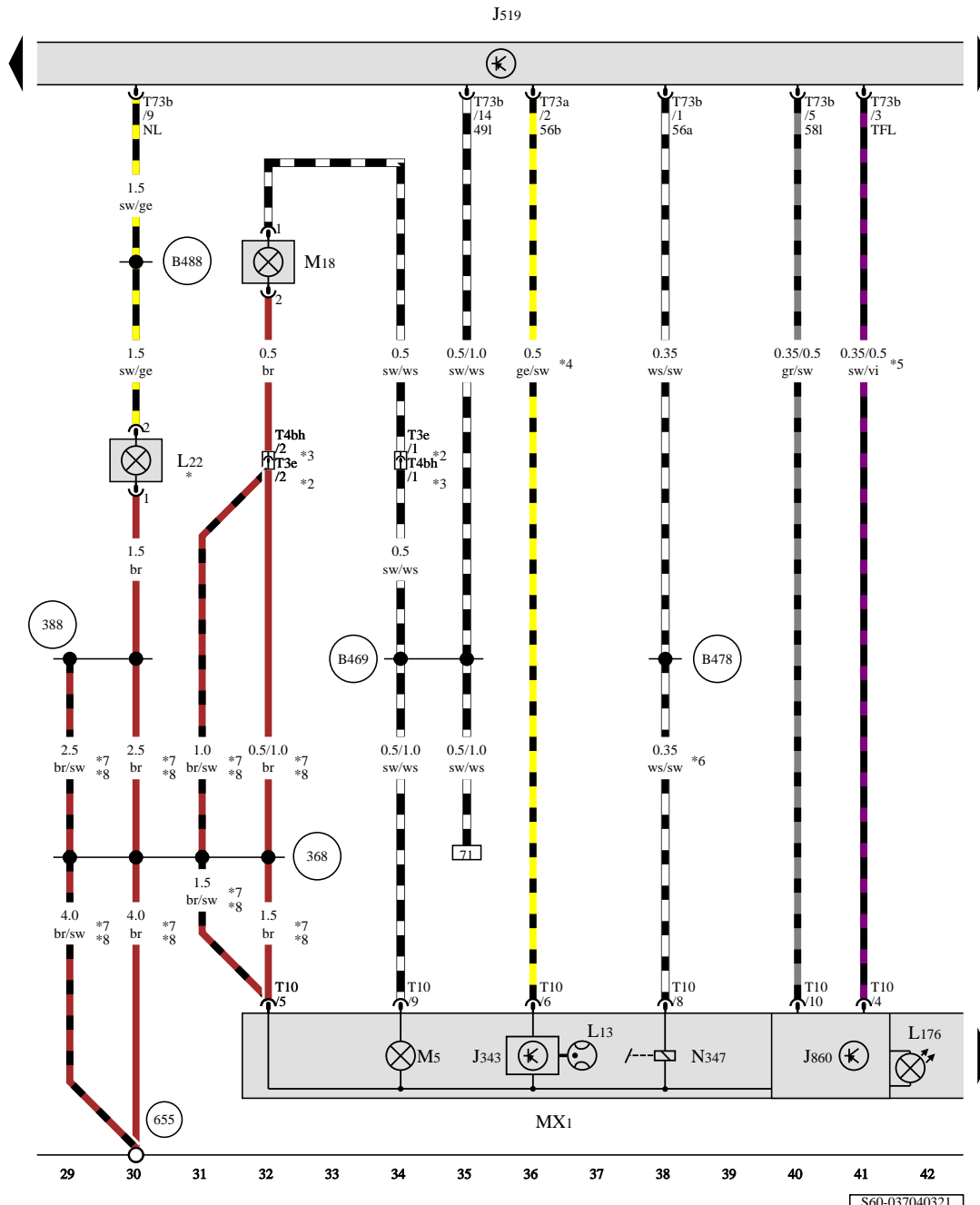
S6L-037070371

Light switch, Onboard supply control unit, Fuse 58 on fuse holder C



- E1 Light switch
- J519 Onboard supply control unit
- SC58 Fuse 58 on fuse holder C
- T10j 10-pin connector, black
- T73a 73-pin connector, black
- T73b 73-pin connector, colourless
- 42 Earth point, next to steering column
- 366 Earth connection 1, in main wiring harness
- 379 Earth connection 14, in main wiring harness
- 386 Earth connection 21, in main wiring harness
- 670 Earth point 2, on left A-pillar
- B317 Positive connection 3 (30a) in main wiring harness
- * For left-hand drive models
- *2 Up to January 2018
- *3 For models with fog lights
- *4 Up to February 2017
- *5 For right-hand drive models
- *6 Wiring colour depends on equipment see applicable current flow diagram for earthing concept
- *7 For models with headlight range control
- *8 For models with Highline equipment
- *9 For models with Highline equipment
- *10 From February 2017
- *11 From January 2018

ws = white
 sw = black
 ro = red
 rt = red
 br = brown
 gn = green
 bl = blue
 gr = grey
 li = purple
 vi = purple
 ge = yellow
 or = orange
 rs = pink



Onboard supply control unit, Left fog light bulb, Front left headlight, Left turn signal repeater bulb

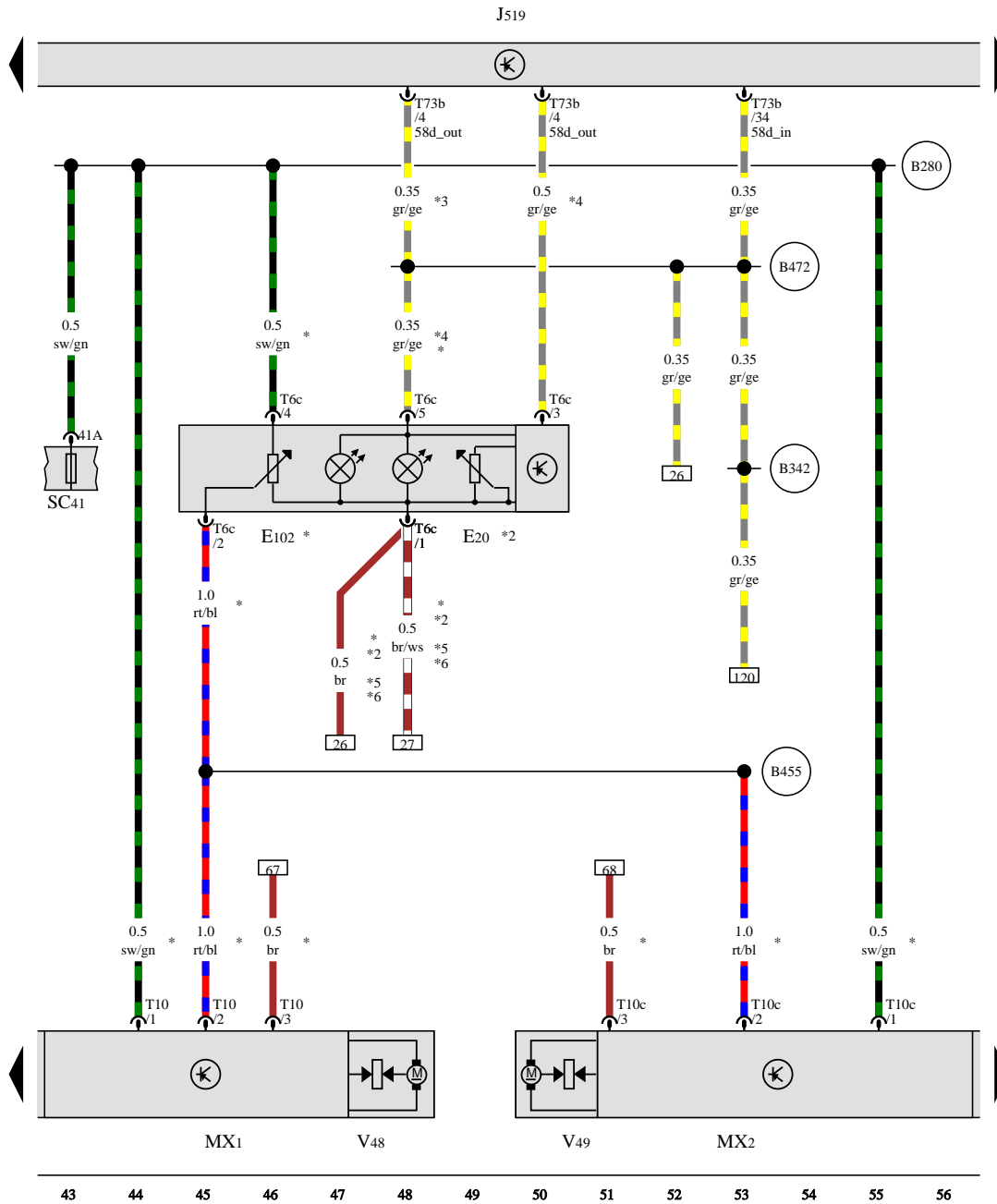
- J343 Left gas discharge bulb control unit
- J519 Onboard supply control unit
- J860 Control unit for left daytime running light and side light
- L13 Left gas discharge (xenon) bulb
- L22 Left fog light bulb
- L176 Left LED module for daytime running light and side light
- MX1 Front left headlight
- M5 Front left turn signal bulb
- M18 Left turn signal repeater bulb
- N347 Left main and dip beam switch-over solenoid
- T3e 3-pin connector, black, in rear left of engine compartment
- T4bh 4-pin connector, black, in rear left of engine compartment
- T10 10-pin connector, black
- T73a 73-pin connector, black
- T73b 73-pin connector, colourless

- 368 Earth connection 3, in main wiring harness
- 388 Earth connection 23, in main wiring harness
- 655 Earth point, on left headlight, on left on bulkhead
- B469 Connection 5, in main wiring harness
- B478 Connection 14, in main wiring harness
- B488 Connection 24, in main wiring harness

- * For models with fog lights
- *2 For models with no provision for side member lighting
- *3 For models with provision for side member lighting
- *4 For models with no electric interface
- *5 For models with daytime running lights
- *6 For models with no auxiliary lights
- *7 Wiring colour depends on equipment
- *8 see applicable current flow diagram for earthing concept

- ws = white
- sw = black
- ro = red
- rt = red
- br = brown
- gn = green
- bl = blue
- gr = grey
- li = purple
- vi = purple
- ge = yellow
- or = orange
- rs = pink

Volkswagen Technical Site: <https://vwts.ru>



Switch and instrument illumination regulator, Headlight range control regulator, Onboard supply control unit, Front left headlight, Front right headlight, Fuse 41 on fuse holder C, Left headlight range control motor, Right headlight range control motor

- E20 Switch and instrument illumination regulator
- E102 Headlight range control regulator
- J519 Onboard supply control unit
- MX1 Front left headlight
- MX2 Front right headlight
- SC41 Fuse 41 on fuse holder C
- T6c 6-pin connector, black
- T10 10-pin connector, black
- T10c 10-pin connector, black
- T73b 73-pin connector, colourless
- V48 Left headlight range control motor
- V49 Right headlight range control motor

B280 Positive connection 4 (15a) in main wiring harness

B342 Connection 3 (58d), in main wiring harness

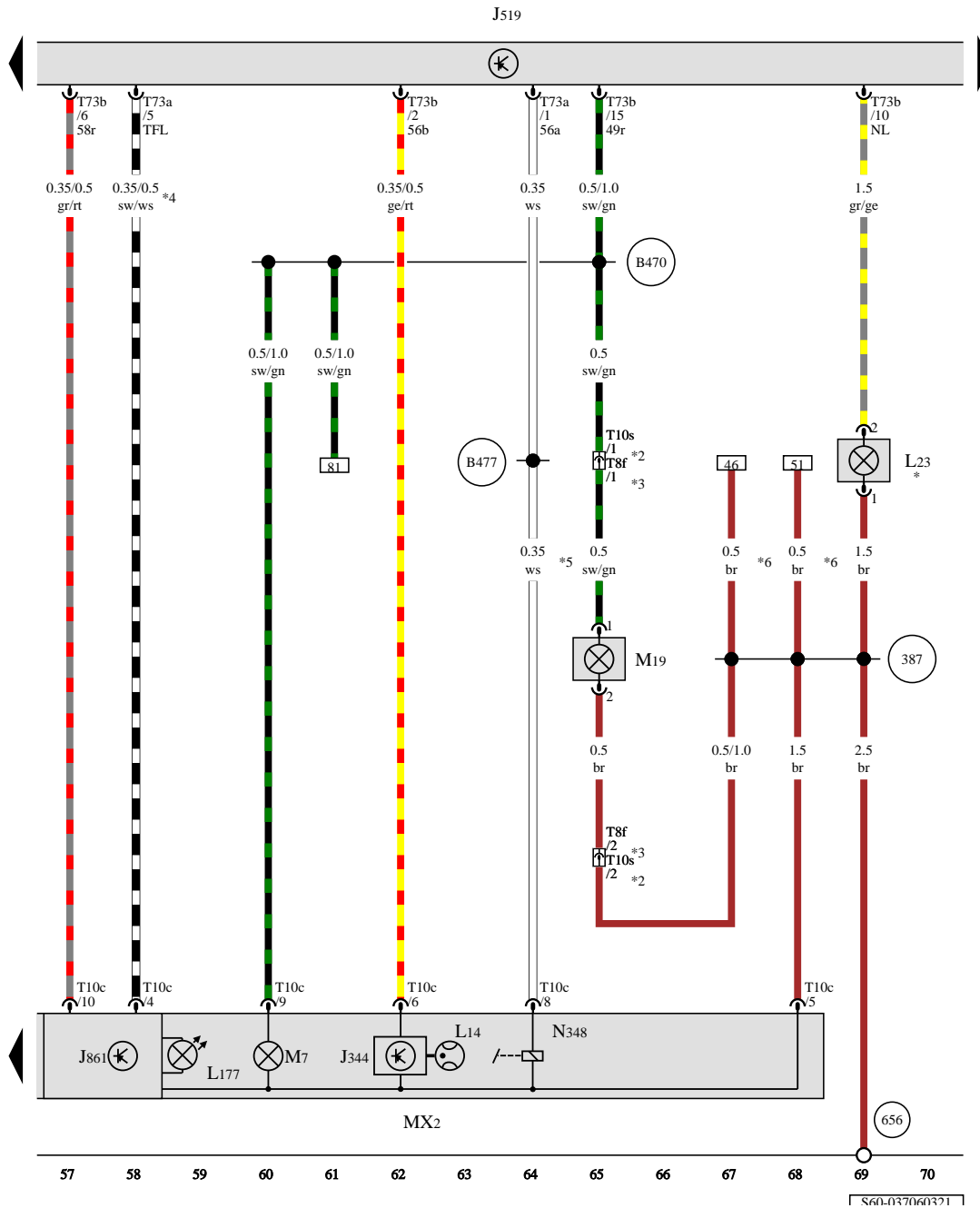
B455 Connection (HRC), in main wiring harness

B472 Connection 8, in main wiring harness

- * For models with headlight range control
- *2 For models with Highline equipment
- *3 For models with no dimmable instrument illumination
- *4 For models with dimmable instrument illumination
- *5 Wiring colour depends on equipment
- *6 see applicable current flow diagram for earthing concept

- ws = white
- sw = black
- ro = red
- rt = red
- br = brown
- gn = green
- bl = blue
- gr = grey
- li = purple
- vi = purple
- ge = yellow
- or = orange
- rs = pink

660.037050371



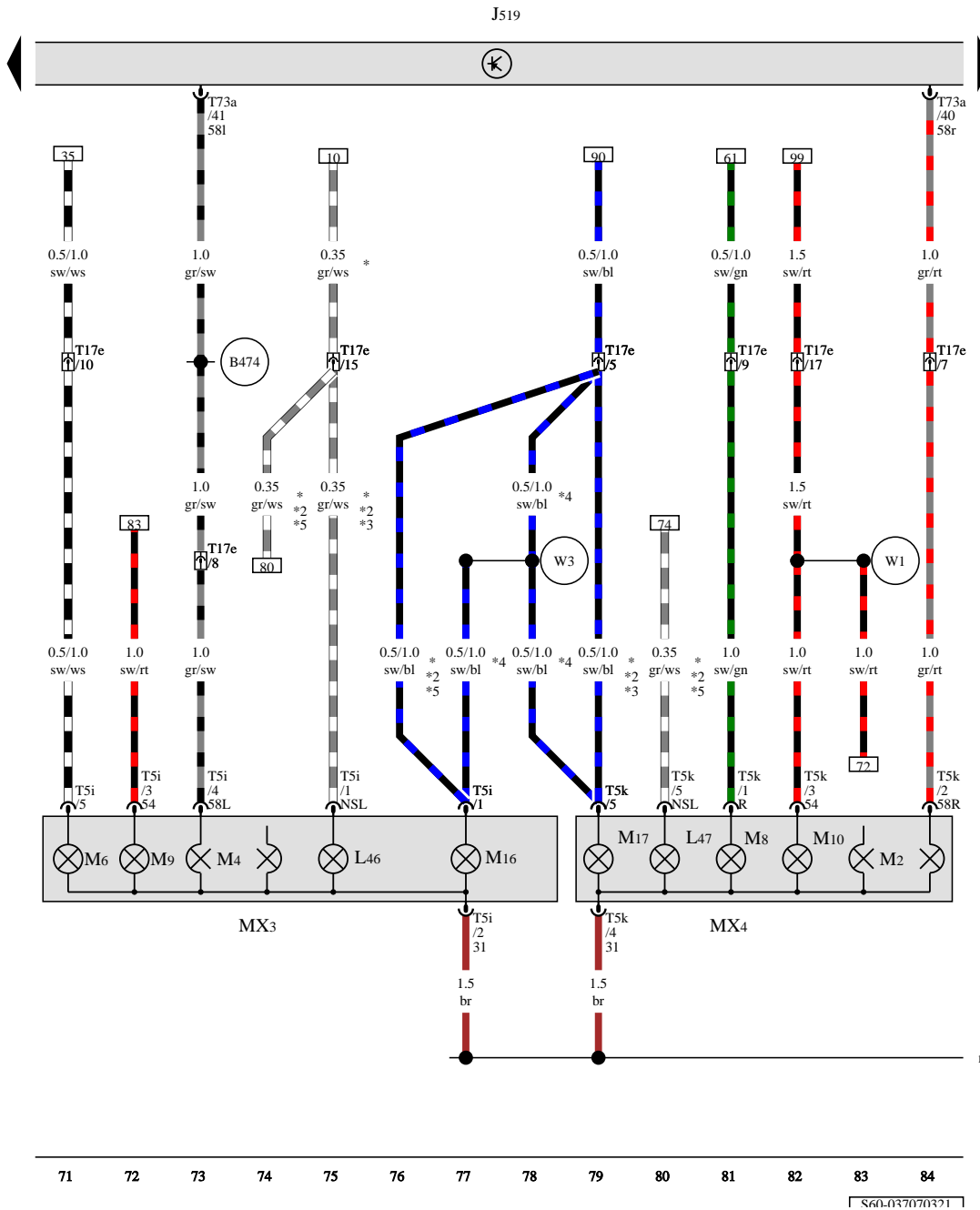
Onboard supply control unit, Right fog light bulb, Front right headlight, Right turn signal repeater bulb

- J344 Right gas discharge bulb control unit
- J519 Onboard supply control unit
- J861 Control unit for right daytime running light and side light
- L14 Right gas discharge (xenon) bulb
- L23 Right fog light bulb
- L177 Right LED module for daytime running light and side light
- MX2 Front right headlight
- M7 Front right turn signal bulb
- M19 Right turn signal repeater bulb
- N348 Right main and dip beam switch-over solenoid
- T8f 8-pin connector, black, in rear right of engine compartment
- T10c 10-pin connector, black
- T10s 10-pin connector, black, in rear right of engine compartment
- T73a 73-pin connector, black
- T73b 73-pin connector, colourless

- 387 Earth connection 22, in main wiring harness
- 656 Earth point, on right headlight, on right on bulkhead
- B470 Connection 6, in main wiring harness
- B477 Connection 13, in main wiring harness
- * For models with fog lights
- *2 For models with provision for side member lighting
- *3 For models with no provision for side member lighting
- *4 For models with daytime running lights
- *5 For models with no auxiliary lights
- *6 For models with headlight range control

- ws = white
- sw = black
- ro = red
- rt = red
- br = brown
- gn = green
- bl = blue
- gr = grey
- li = purple
- vi = purple
- ge = yellow
- or = orange
- rs = pink

Onboard supply control unit, Left tail light cluster, Right tail light cluster

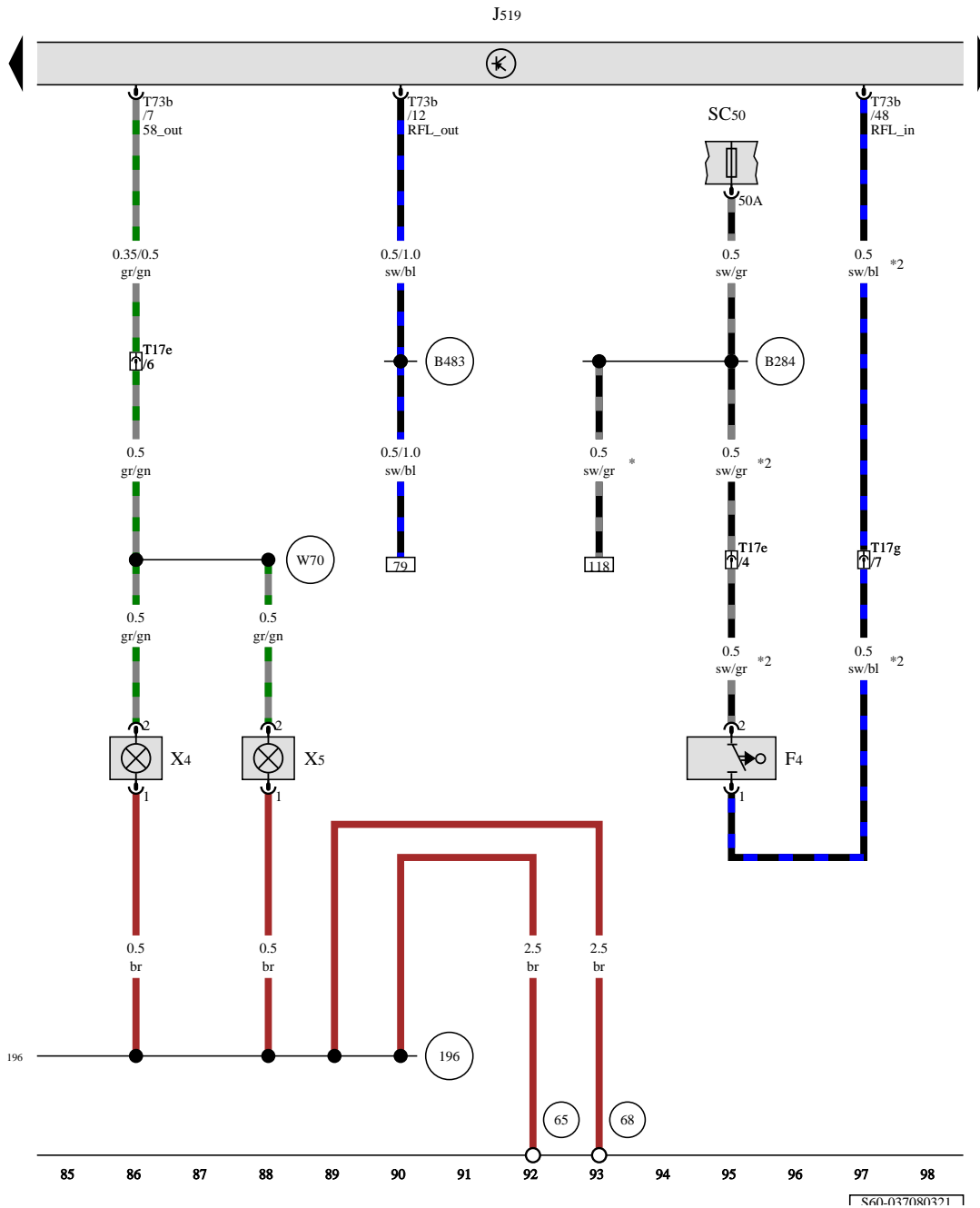


- J519 Onboard supply control unit
- L46 Rear left fog light bulb
- L47 Rear right fog light bulb
- M2 Right tail light bulb
- MX3 Left tail light cluster
- MX4 Right tail light cluster
- M4 Left tail light bulb
- M6 Rear left turn signal bulb
- M8 Rear right turn signal bulb
- M9 Left brake light bulb
- M10 Right brake light bulb
- M16 Left reversing light bulb
- M17 Right reversing light bulb
- T5i 5-pin connector, black
- T5k 5-pin connector, black
- T17e 17-pin connector, red, near handbrake lever
- T73a 73-pin connector, black

- 196 Earth connection 3, in rear wiring harness
- B474 Connection 10, in main wiring harness
- W1 Positive connection 1 (54), in rear wiring harness
- W3 Connection in rear wiring harness

- * For models with rear fog light
- *2 For models with no towing bracket; for models with towing bracket see current flow diagram for towing bracket
- *3 For left-hand drive models
- *4 For models with no rear fog light
- *5 For right-hand drive models

- ws = white
- sw = black
- ro = red
- rt = red
- br = brown
- gn = green
- bl = blue
- gr = grey
- li = purple
- vi = purple
- ge = yellow
- or = orange
- rs = pink



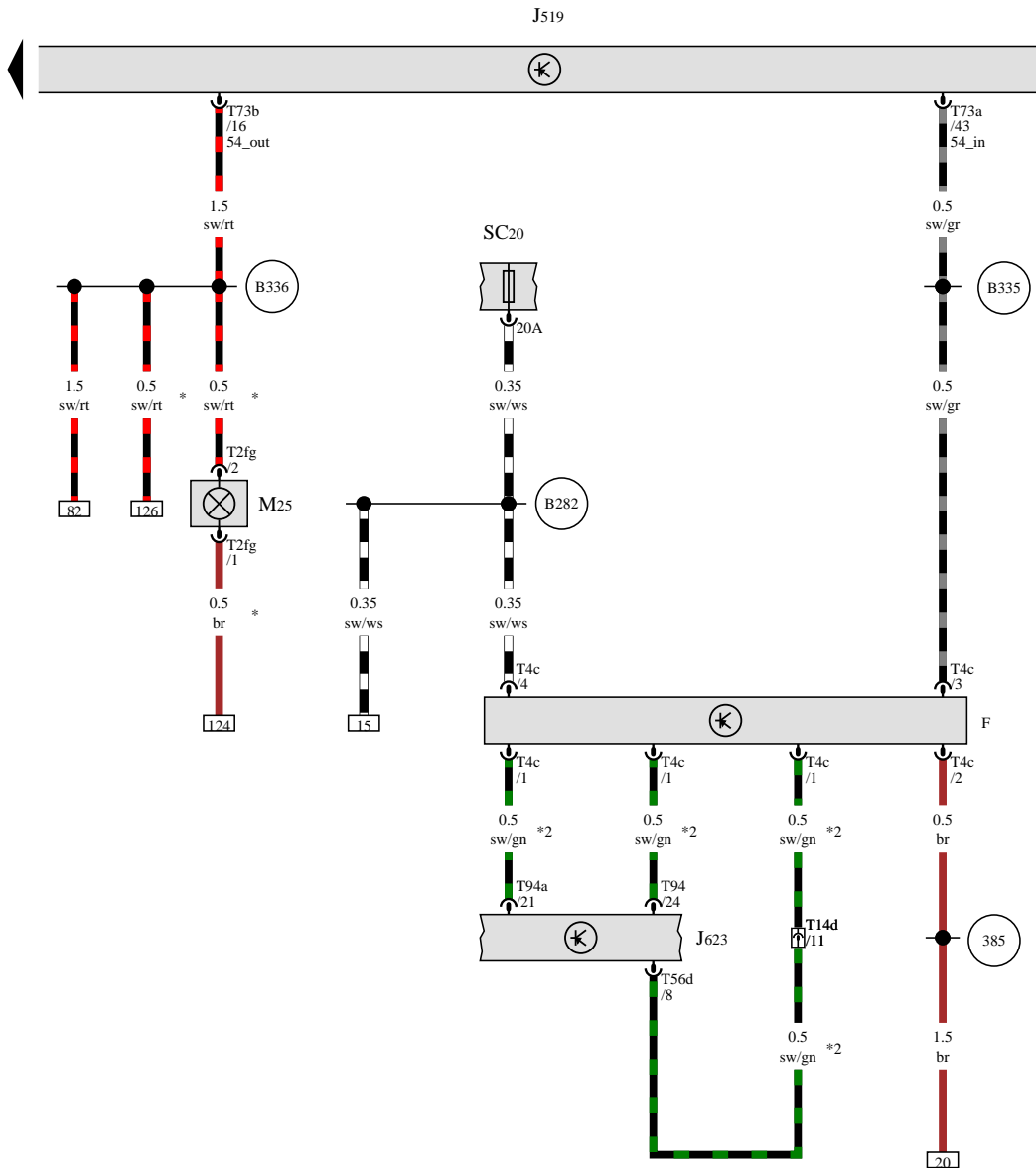
Reversing light switch, Onboard supply control unit, Fuse 50 on fuse holder C, Left number plate light, Right number plate light

- F4 Reversing light switch
- J519 Onboard supply control unit
- SC50 Fuse 50 on fuse holder C
- T17e 17-pin connector, red, near handbrake lever
- T17g 17-pin connector, black, near handbrake lever
- T73b 73-pin connector, colourless
- X4 Left number plate light
- X5 Right number plate light

- 65 Earth point, on rear of left longitudinal member
- 68 Earth point, on left of rear cross member
- 196 Earth connection 3, in rear wiring harness
- B284 Positive connection 8 (15a) in main wiring harness
- B483 Connection 19, in main wiring harness
- W70 Positive connection 2 (58), in number plate wiring harness
- * According to equipment
- *2 For models with manual gearbox

- ws = white
- sw = black
- ro = red
- rt = red
- br = brown
- gn = green
- bl = blue
- gr = grey
- li = purple
- vi = purple
- ge = yellow
- or = orange
- rs = pink

Brake light switch, Onboard supply control unit, High-level brake light bulb, Fuse 20 on fuse holder C

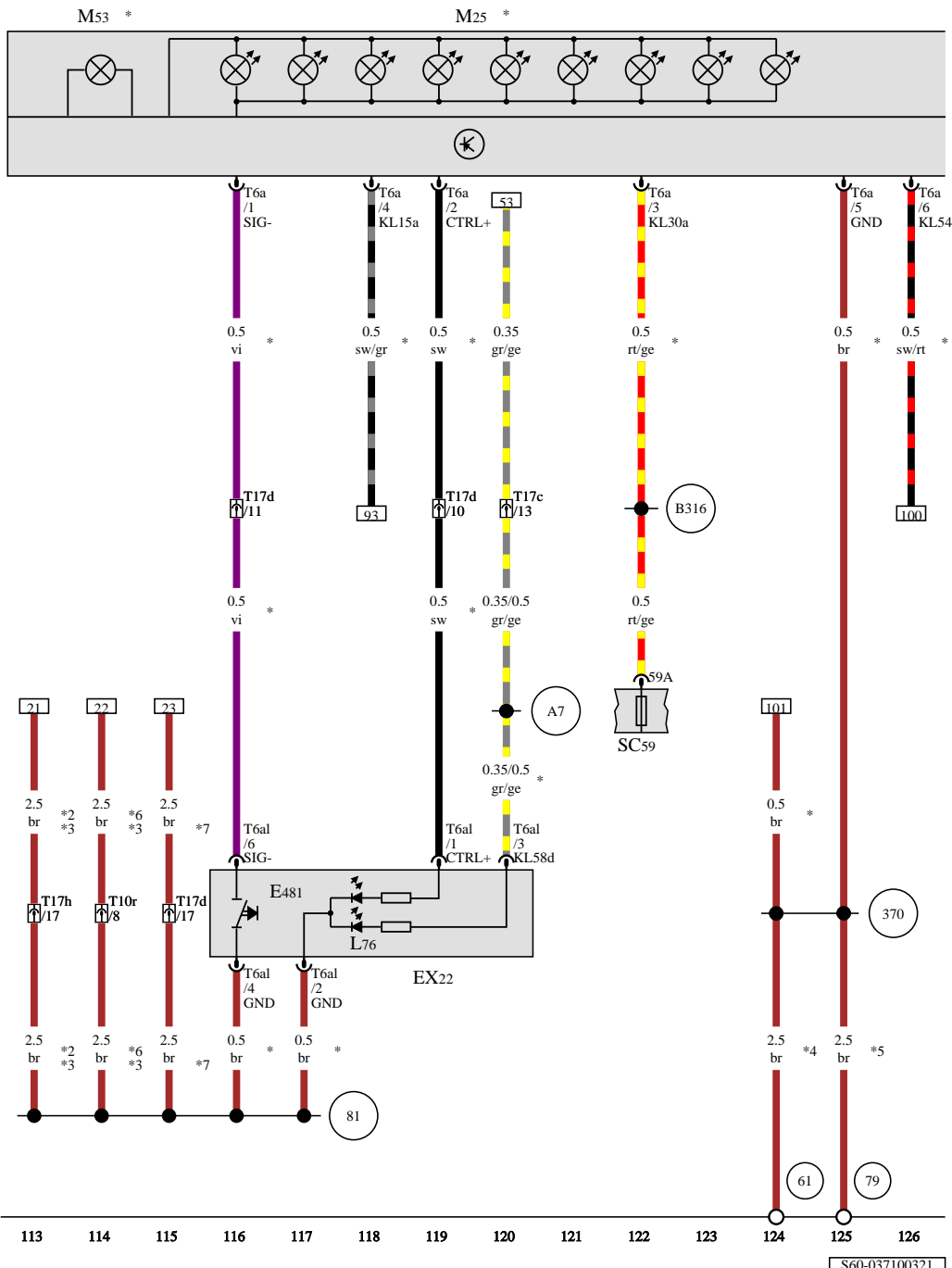


- F Brake light switch
- J519 Onboard supply control unit
- J623 Engine/motor control unit
- M25 High-level brake light bulb
- SC20 Fuse 20 on fuse holder C
- T2fg 2-pin connector, black
- T4c 4-pin connector, black
- T14d 14-pin connector, black, near battery
- T56d 56-pin connector, black
- T73a 73-pin connector, black
- T73b 73-pin connector, colourless
- T94 94-pin connector, black
- T94a 94-pin connector, black

- 385 Earth connection 20, in main wiring harness
- B282 Positive connection 6 (15a) in main wiring harness
- B335 Connection 1 (54), in main wiring harness
- B336 Connection 2 (54), in main wiring harness

* According to equipment
 *2 see applicable current flow diagram for engine

- ws = white
- sw = black
- ro = red
- rt = red
- br = brown
- gn = green
- bl = blue
- gr = grey
- li = purple
- vi = purple
- ge = yellow
- or = orange
- rs = pink

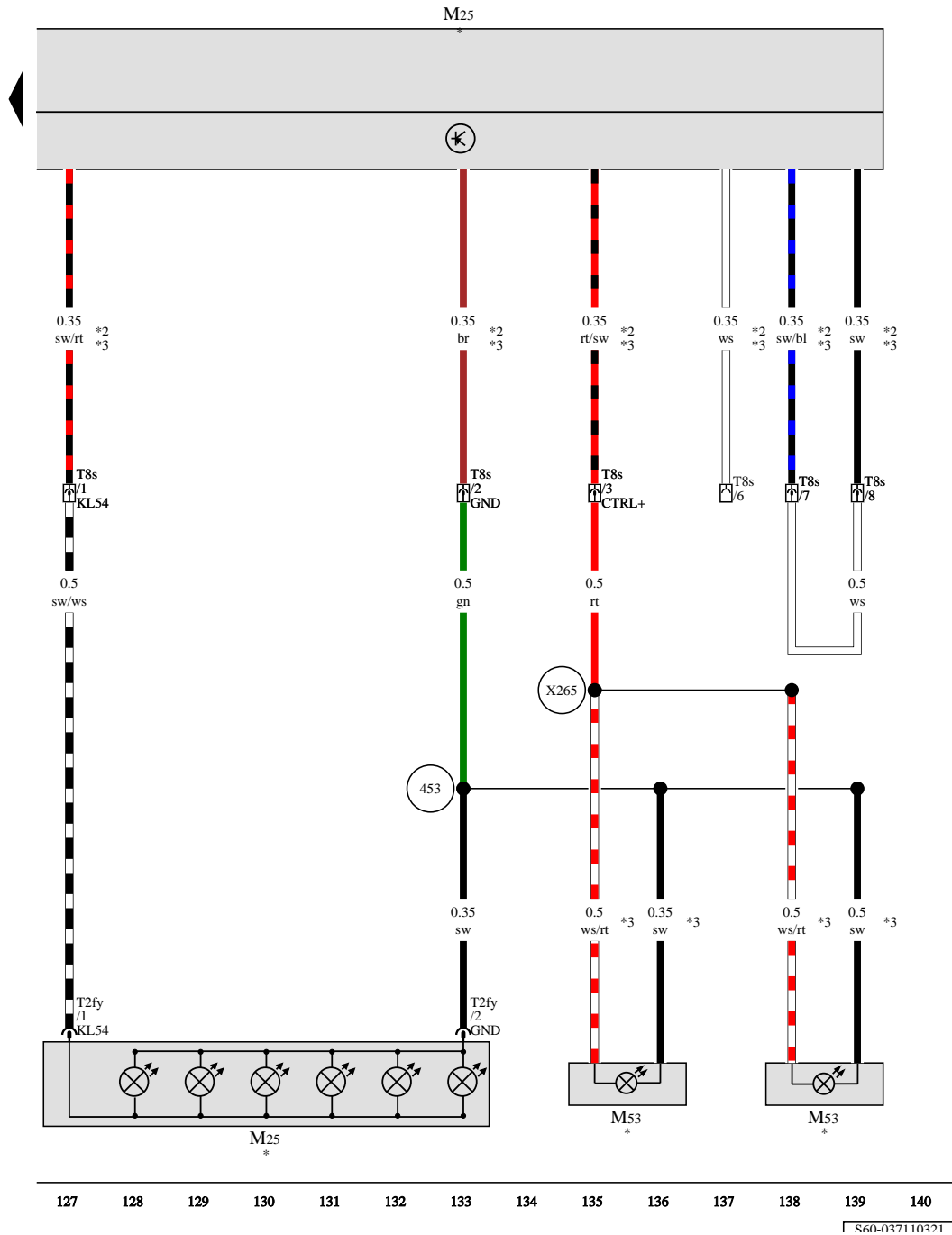


Load area illumination switch, High-level brake light bulb, Load area illumination bulb, Fuse 59 on fuse holder C

- EX22 Centre switch module in dash panel
- E481 Load area illumination switch
- L76 Button illumination bulb
- M25 High-level brake light bulb
- M53 Load area illumination bulb
- SC59 Fuse 59 on fuse holder C
- T6a 6-pin connector, black
- T6al 6-pin connector, red
- T10r 10-pin connector, blue, behind dash panel
- T17c 17-pin connector, white, behind dash panel
- T17d 17-pin connector, green, behind dash panel
- T17h 17-pin connector, blue, behind dash panel

- 61 Earth point, on left C-pillar
- 79 Earth point on left B-pillar
- 81 Earth connection 1, in dash panel wiring harness
- 370 Earth connection 5, in main wiring harness
- A7 Positive connection (58 D1), in dash panel wiring harness
- B316 Positive connection 2 (30a) in main wiring harness
- * According to equipment
- *2 For left-hand drive models
- *3 Up to January 2018
- *4 For models with double cab
- *5 For models with single cab
- *6 For right-hand drive models
- *7 From January 2018

- ws = white
- sw = black
- ro = red
- rt = red
- br = brown
- gn = green
- bl = blue
- gr = grey
- li = purple
- vi = purple
- ge = yellow
- or = orange
- rs = pink



High-level brake light bulb, Load area illumination bulb

- M25 High-level brake light bulb
- M53 Load area illumination bulb
- T2fy 2-pin connector
- T8s 8-pin connector

453 Earth connection 3, in optional equipment wiring harness

X265 Connection 12, in optional equipment wiring harness

- * According to equipment
- *2 Adapter wire
- *3 Pre-wired component

- ws = white
- sw = black
- ro = red
- rt = red
- br = brown
- gn = green
- bl = blue
- gr = grey
- li = purple
- vi = purple
- ge = yellow
- or = orange
- rs = pink

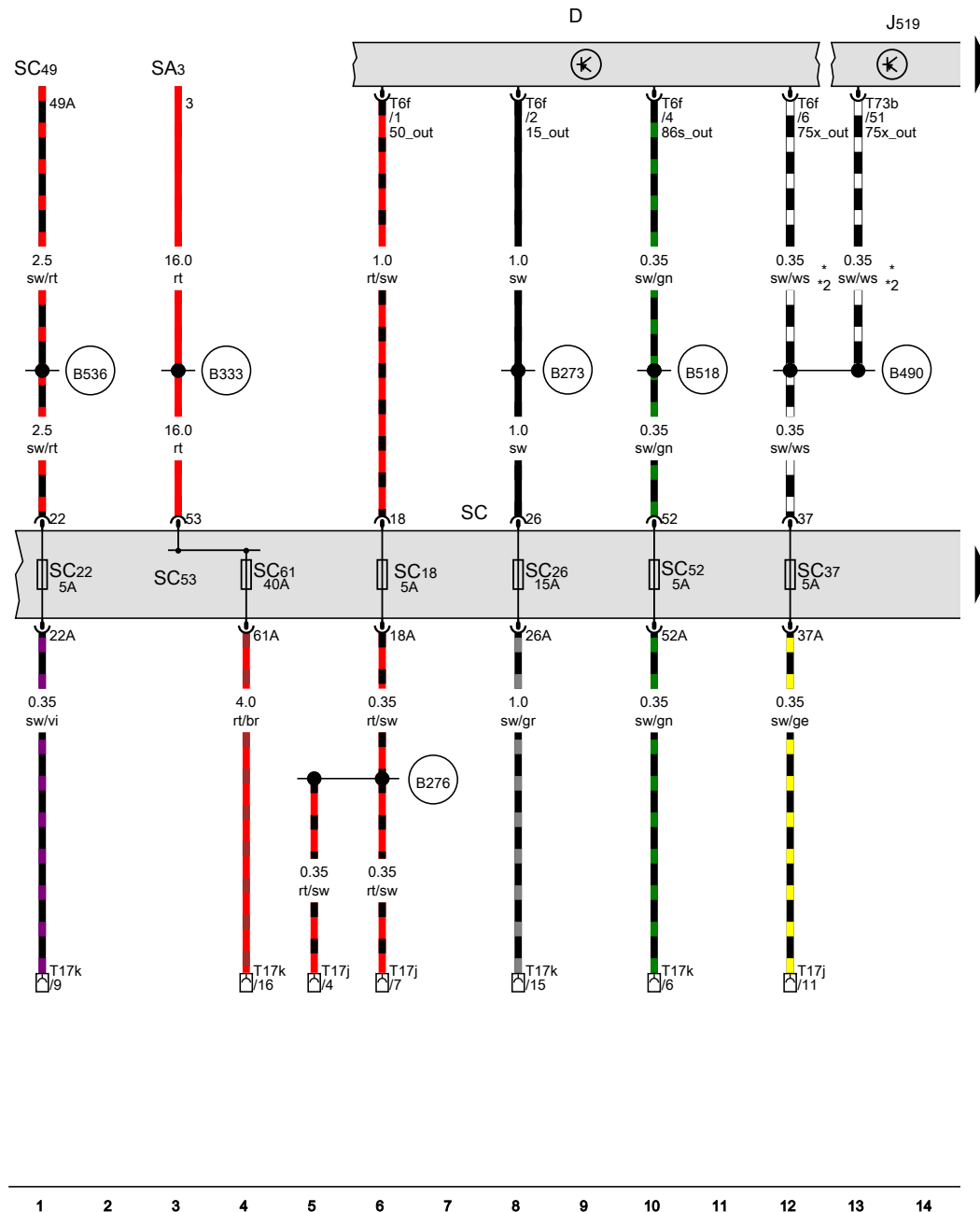
127 128 129 130 131 132 133 134 135 136 137 138 139 140

□ S60.037110321

Interface for external use , (IS1)

From June 2016

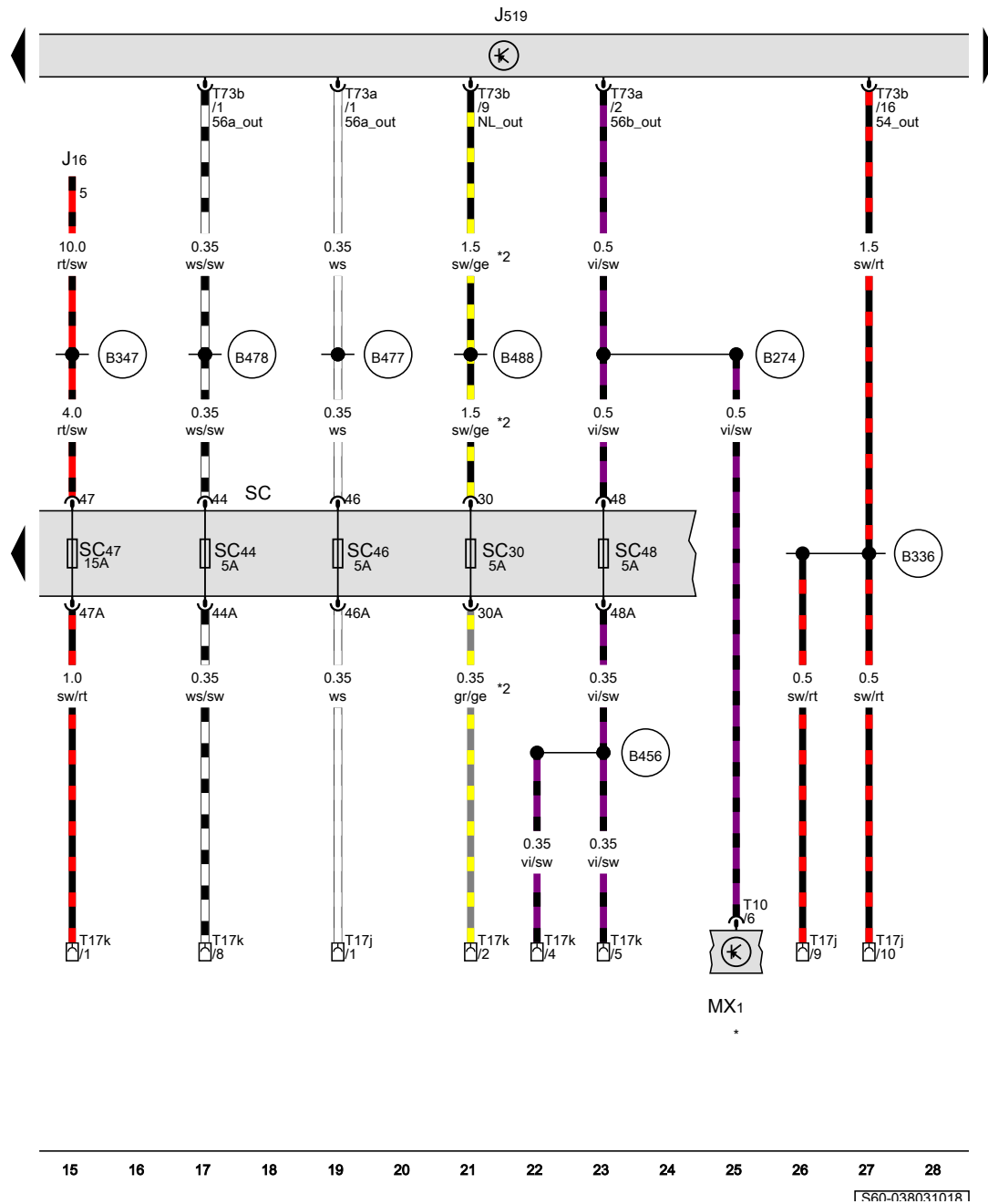
Ignition/starter switch, Onboard supply control unit, Fuse 3 on fuse holder A, Fuse holder C



- D Ignition/starter switch
- J519 Onboard supply control unit
- SA3 Fuse 3 on fuse holder A
- SC Fuse holder C
- SC18 Fuse 18 on fuse holder C
- SC22 Fuse 22 on fuse holder C
- SC26 Fuse 26 on fuse holder C
- SC37 Fuse 37 on fuse holder C
- SC49 Fuse 49 on fuse holder C
- SC52 Fuse 52 on fuse holder C
- SC53 Fuse 53 on fuse holder C
- SC61 Fuse 61 on fuse holder C
- T6f 6-pin connector, black
- T17j 17-pin connector, green, near driver side A-pillar
- T17k 17-pin connector, blue, near driver side A-pillar
- T73b 73-pin connector, colourless
- (B273) Positive connection (15), in main wiring harness
- (B276) Positive connection (50), in main wiring harness
- (B333) Positive connection 19 (30a) in main wiring harness
- (B490) Connection 26, in main wiring harness
- (B518) Connection (86s), in main wiring harness
- (B536) Connection 27, in main wiring harness
- * According to equipment
- *2 see applicable current flow diagram for engine

[S60-038021018]

Current supply relay, Onboard supply control unit, Front left headlight, Fuse holder C

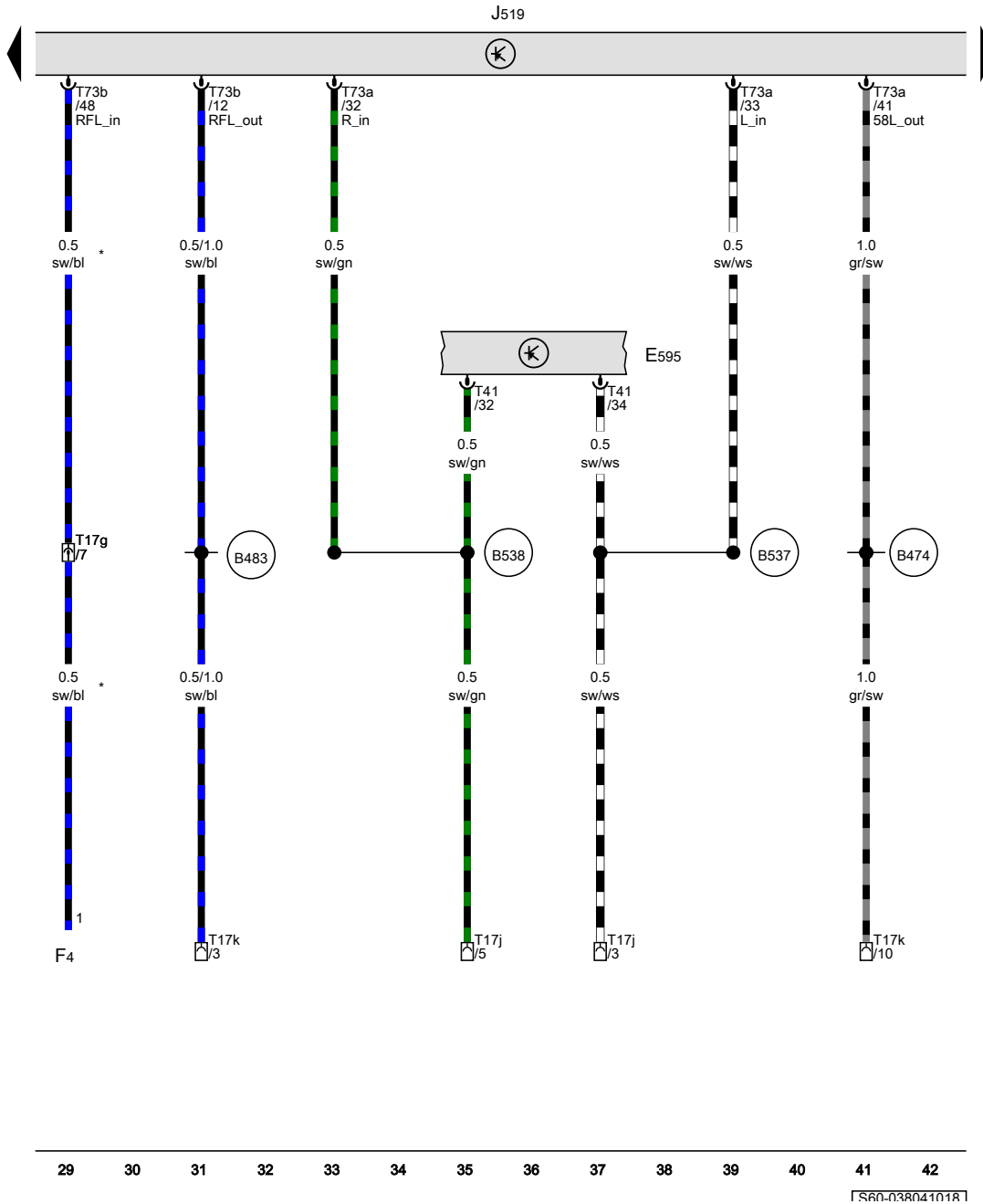


- J16 Current supply relay
- J519 Onboard supply control unit
- MX1 Front left headlight
- SC Fuse holder C
- SC30 Fuse 30 on fuse holder C
- SC44 Fuse 44 on fuse holder C
- SC46 Fuse 46 on fuse holder C
- SC47 Fuse 47 on fuse holder C
- SC48 Fuse 48 on fuse holder C
- T10 10-pin connector, black
- T17j 17-pin connector, green, near driver side A-pillar
- T17k 17-pin connector, blue, near driver side A-pillar
- T73a 73-pin connector, black
- T73b 73-pin connector, colourless

- (B274) Positive connection (58L), in main wiring harness
- (B336) Connection 2 (54), in main wiring harness
- (B347) Connection 2 (75), in main wiring harness
- (B456) Connection (56b), in main wiring harness
- (B477) Connection 13, in main wiring harness
- (B478) Connection 14, in main wiring harness
- (B488) Connection 24, in main wiring harness

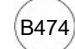
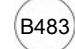
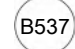
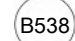
* see applicable current flow diagram for exterior lighting
 *2 For models with fog lights

- ws = white
- sw = black
- ro = red
- rt = red
- br = brown
- gn = green
- bl = blue
- gr = grey
- li = purple
- vi = purple
- ge = yellow
- or = orange
- rs = pink

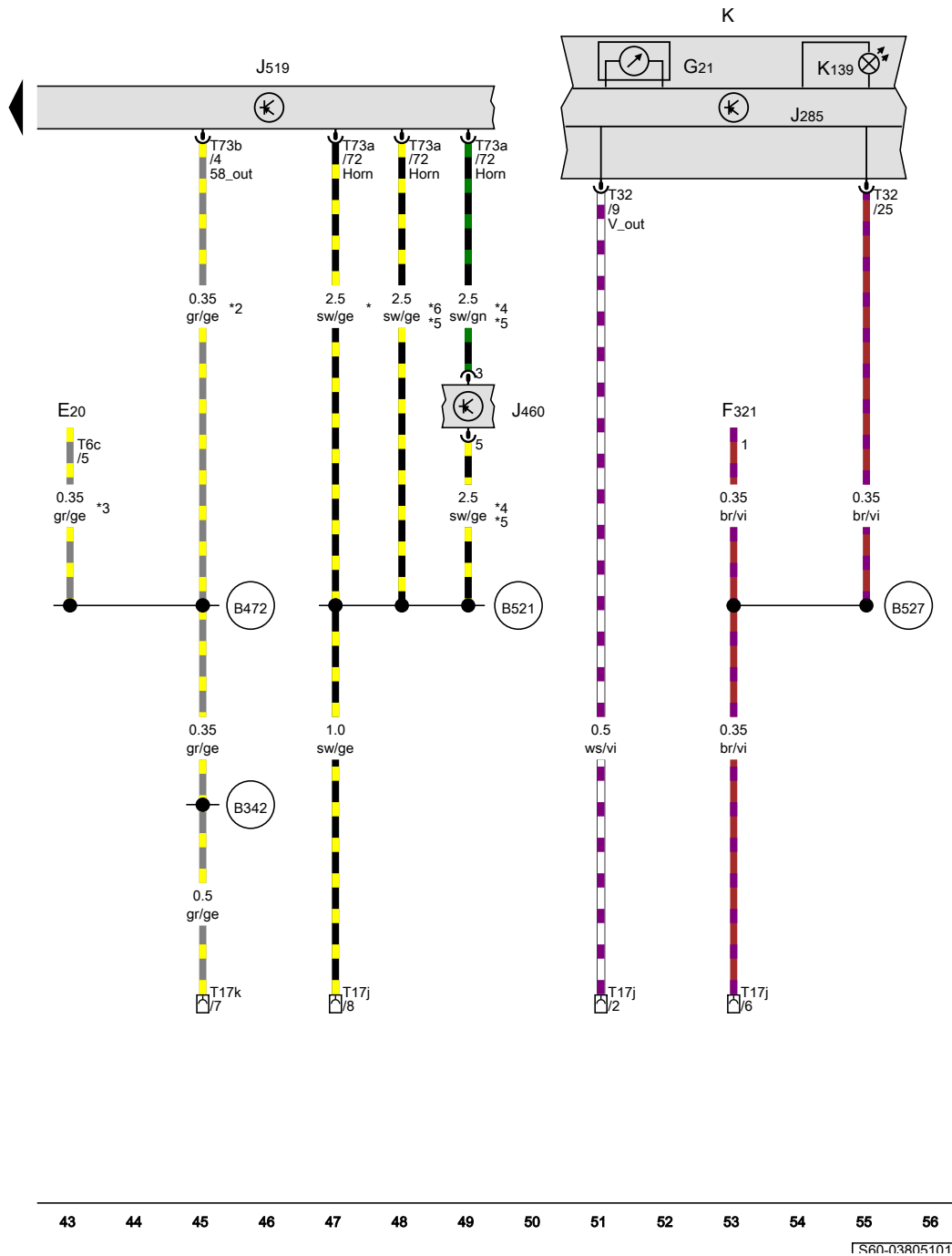


Steering column combination switch, Reversing light switch, Onboard supply control unit

- E595 Steering column combination switch
- F4 Reversing light switch
- J519 Onboard supply control unit
- T17g 17-pin connector, black, near handbrake lever
- T17j 17-pin connector, green, near driver side A-pillar
- T17k 17-pin connector, blue, near driver side A-pillar
- T41 41-pin connector, grey
- T73a 73-pin connector, black
- T73b 73-pin connector, colourless

-  B474 Connection 10, in main wiring harness
-  B483 Connection 19, in main wiring harness
-  B537 Connection 28, in main wiring harness
-  B538 Connection 29, in main wiring harness

* For models with manual gearbox



Parking brake contact switch, Alarm system relay 1, Onboard supply control unit, Dash panel insert

- E20 Switch and instrument illumination regulator
 - F321 Parking brake contact switch
 - G21 Speedometer
 - J285 Control unit in dash panel insert
 - J460 Alarm system relay 1
 - J519 Onboard supply control unit
 - K Dash panel insert
 - K139 Handbrake warning lamp
 - T6c 6-pin connector, black
 - T17j 17-pin connector, green, near driver side A-pillar
 - T17k 17-pin connector, blue, near driver side A-pillar
 - T32 32-pin connector, blue
 - T73a 73-pin connector, black
 - T73b 73-pin connector, colourless
- (B342) Connection 3 (58d), in main wiring harness
 - (B472) Connection 8, in main wiring harness
 - (B521) Connection (dual tone horn), in main wiring harness
 - (B527) Connection (handbrake), in main wiring harness
- * For models with no anti-theft alarm system
 - *2 For models with no dimmable instrument illumination
 - *3 For models with dimmable instrument illumination
 - *4 For models with anti-theft alarm system and anti-theft alarm system horn
 - *5 see applicable current flow diagram
 - *6 For models with anti-theft alarm system

43 44 45 46 47 48 49 50 51 52 53 54 55 56

[S60-038051018]

Power assisted steering , (1N3)

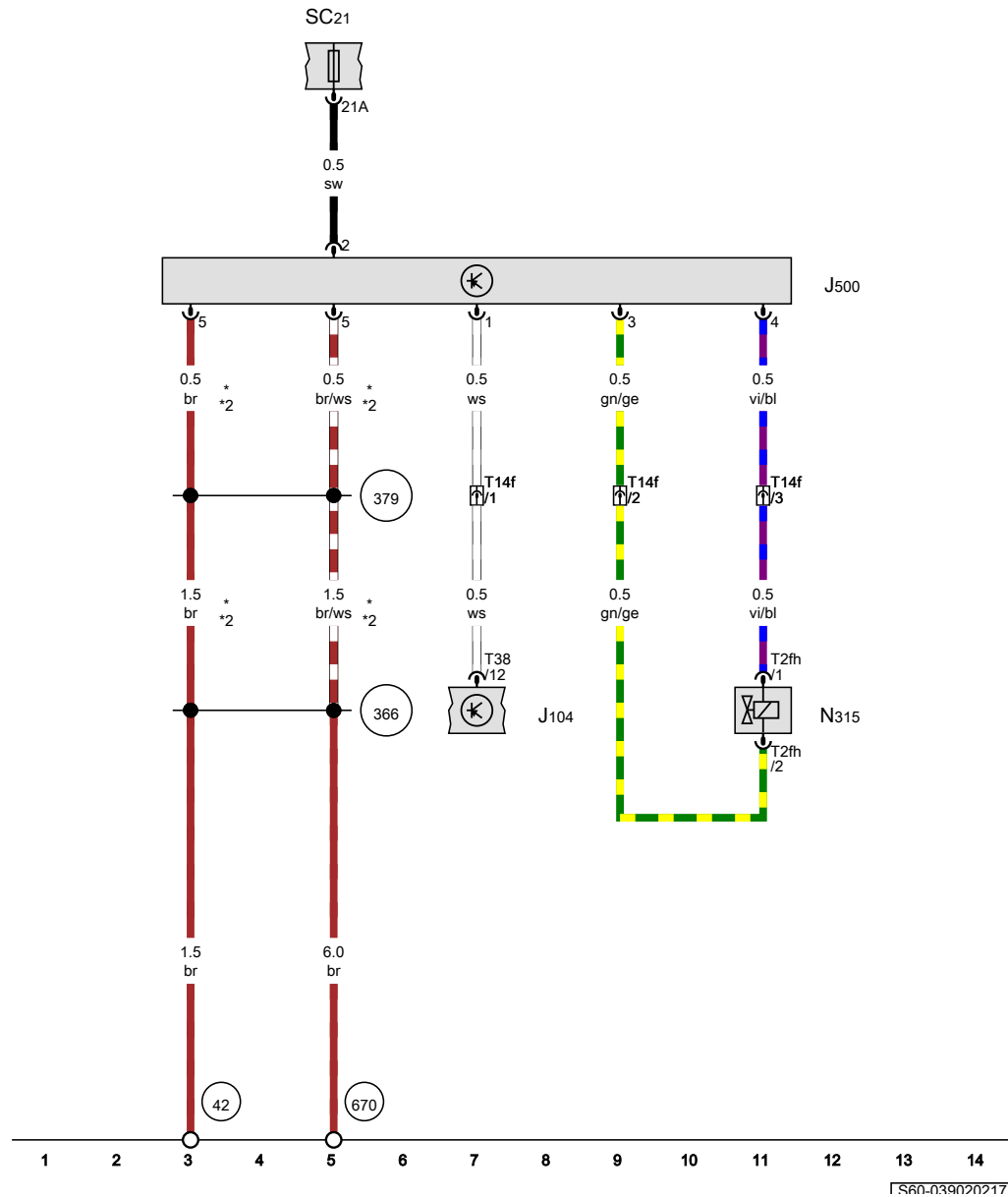
From June 2016

ABS control unit, Power steering control unit, Power steering hydraulic pressure valve, Fuse 21 on fuse holder C

- J104 ABS control unit
- J500 Power steering control unit
- N315 Power steering hydraulic pressure valve
- SC21 Fuse 21 on fuse holder C
- T2fh 2-pin connector, black
- T14f 14-pin connector, black, near right headlight
- T38 38-pin connector, black

- 42 Earth point, next to steering column
- 366 Earth connection 1, in main wiring harness
- 379 Earth connection 14, in main wiring harness
- 670 Earth point 2, left A-pillar

* Wiring colour depends on equipment
 *2 see applicable current flow diagram for earthing concept



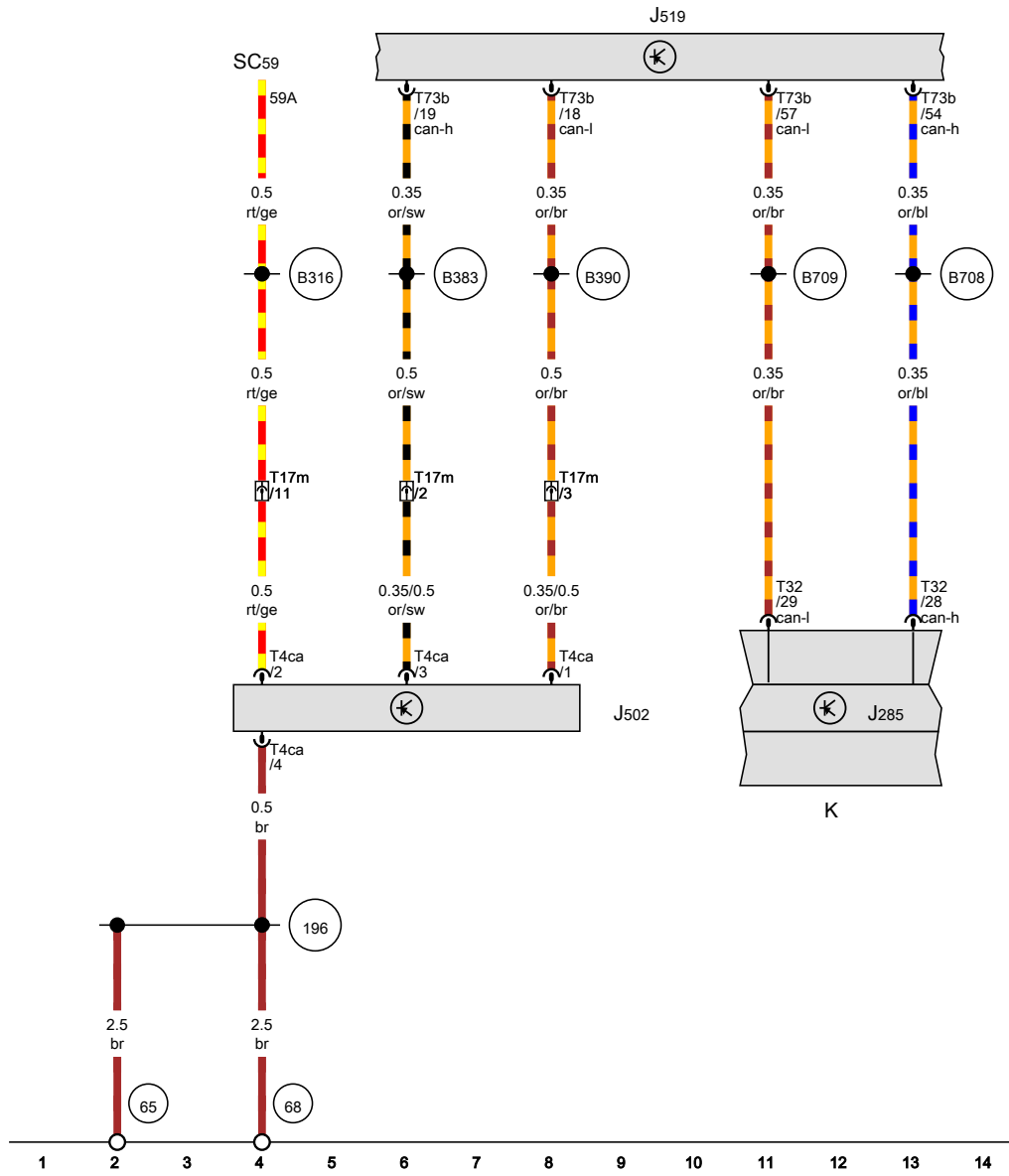
- ws = white
- sw = black
- ro = red
- rt = red
- br = brown
- gn = green
- bl = blue
- gr = grey
- li = purple
- vi = purple
- ge = yellow
- or = orange
- rs = pink

1S60-039020217

Tyre Pressure Monitoring System , (7K3)

From June 2016

Tyre Pressure Monitoring System control unit, Onboard supply control unit, Dash panel insert, Fuse 59 on fuse holder C



- J285 Control unit in dash panel insert
 - J502 Tyre Pressure Monitoring System control unit
 - J519 Onboard supply control unit
 - K Dash panel insert
 - SC59 Fuse 59 on fuse holder C
 - T4ca 4-pin connector, grey
 - T17m 17-pin connector, brown, near handbrake lever
 - T32 32-pin connector, blue
 - T73b 73-pin connector, colourless
- 65 Earth point, on rear of left longitudinal member
 - 68 Earth point, on left of rear cross member
 - 196 Earth connection 3, in rear wiring harness
 - B316 Positive connection 2 (30a) in main wiring harness
 - B383 Connection 1 (powertrain CAN bus, high), in main wiring harness
 - B390 Connection 1 (powertrain CAN bus, low), in main wiring harness
 - B708 Connection 1 (dash panel insert CAN bus high) in main wiring harness
 - B709 Connection 1 (dash panel insert CAN bus low) in main wiring harness

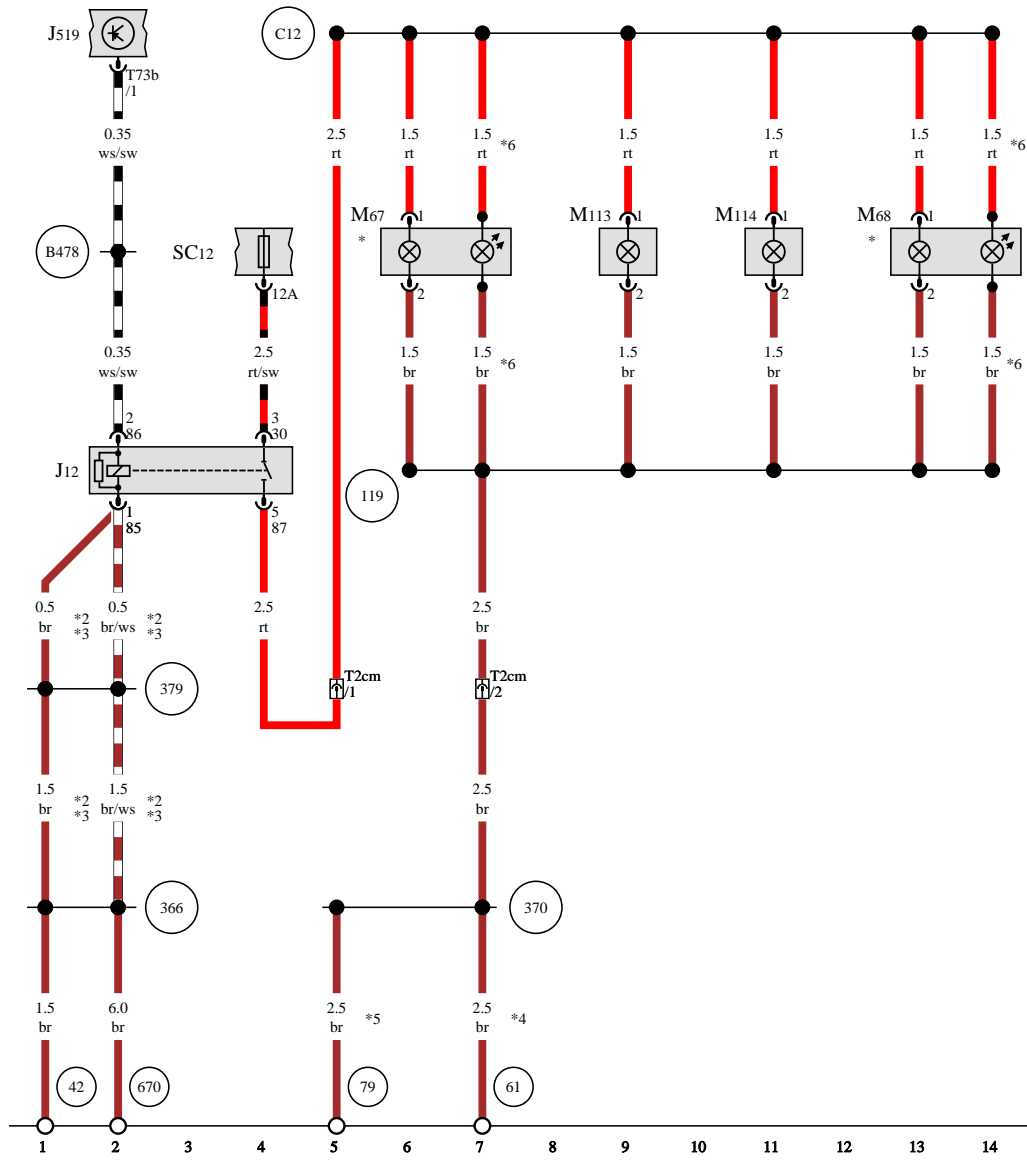
- ws = white
- sw = black
- ro = red
- rt = red
- br = brown
- gn = green
- bl = blue
- gr = grey
- li = purple
- vi = purple
- ge = yellow
- or = orange
- rs = pink

1360-040021018

Auxiliary lights , (2Y1),(2Y5),(E5W)

From June 2016

Headlight main beam relay, Onboard supply control unit,
Fuse 12 on fuse holder C



- J12 Headlight main beam relay
- J519 Onboard supply control unit
- M67 Left additional main beam bulb
- M68 Right additional main beam bulb
- M113 Centre left additional main beam bulb
- M114 Centre right additional main beam bulb
- SC12 Fuse 12 on fuse holder C
- T2cm 2-pin connector, black
- T73b 73-pin connector, colourless

- 42 Earth point, next to steering column
- 61 Earth point, on left C-pillar
- 79 Earth point on left B-pillar
- 119 Earth connection 1, in headlight wiring harness
- 366 Earth connection 1, in main wiring harness
- 370 Earth connection 5, in main wiring harness
- 379 Earth connection 14, in main wiring harness
- 670 Earth point 2, on left A-pillar
- B478 Connection 14, in main wiring harness
- C12 Positive connection 1, in headlight wiring harness

- ws = white
- sw = black
- ro = red
- rt = red
- br = brown
- gn = green
- bl = blue
- gr = grey
- li = purple
- vi = purple
- ge = yellow
- or = orange
- rs = pink

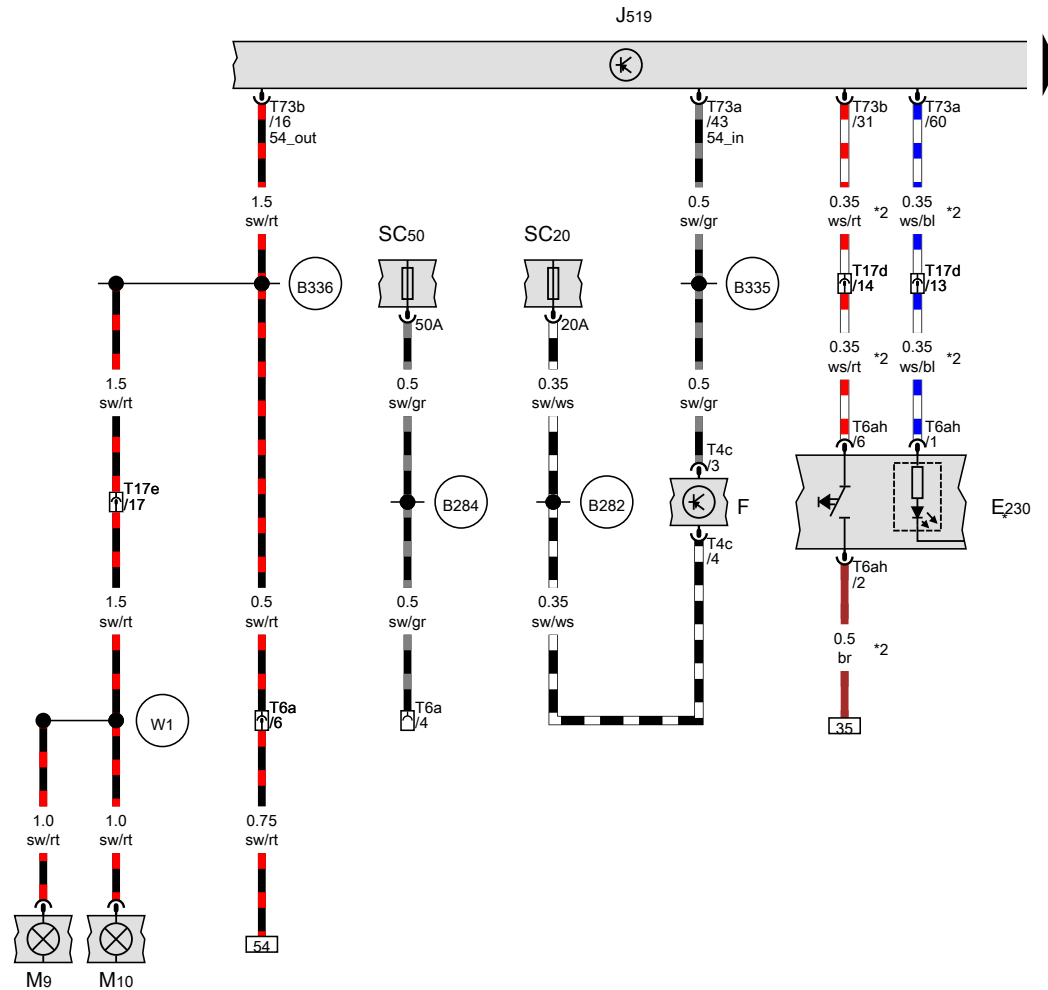
- * Also as LED version
- *2 Wiring colour depends on equipment
- *3 see applicable current flow diagram for earthing concept
- *4 For models with double cab
- *5 For models with single cab
- *6 Pre-wired component

S60-041070371

Hardtop

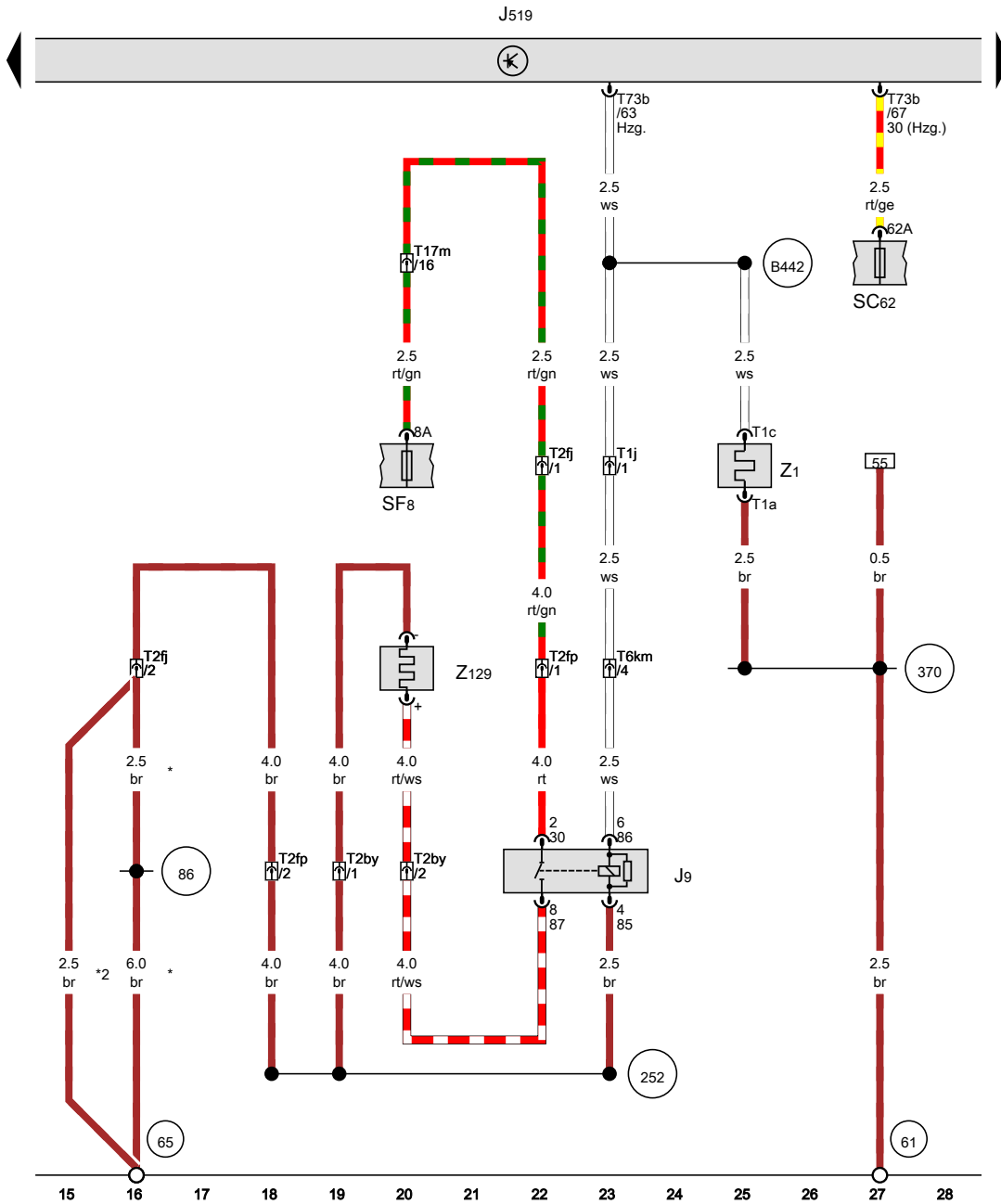
From June 2016

Heated rear window button, Brake light switch, Onboard supply control unit, Left brake light bulb, Right brake light bulb, Fuse 20 on fuse holder C, Fuse 50 on fuse holder C



- E230 Heated rear window button
- F Brake light switch
- J519 Onboard supply control unit
- M9 Left brake light bulb
- M10 Right brake light bulb
- SC20 Fuse 20 on fuse holder C
- SC50 Fuse 50 on fuse holder C
- T4c 4-pin connector, black
- T6a 6-pin connector, black, on rear roof module
- T6ah 6-pin connector, near radio
- T17d 17-pin connector, green, on left under dash panel
- T17e 17-pin connector, red, near handbrake lever
- T73a 73-pin connector, black
- T73b 73-pin connector, colourless
- B282 Positive connection 6 (15a) in main wiring harness
- B284 Positive connection 8 (15a) in main wiring harness
- B335 Connection 1 (54), in main wiring harness
- B336 Connection 2 (54), in main wiring harness
- W1 Positive connection 1 (54), in rear wiring harness
- * see applicable current flow diagram for basic equipment
- *2 For models with no air conditioning system/Climatronic

- ws = white
- sw = black
- ro = red
- rt = red
- br = brown
- gn = green
- bl = blue
- gr = grey
- li = purple
- vi = purple
- ge = yellow
- or = orange
- rs = pink



[S60-042031017]

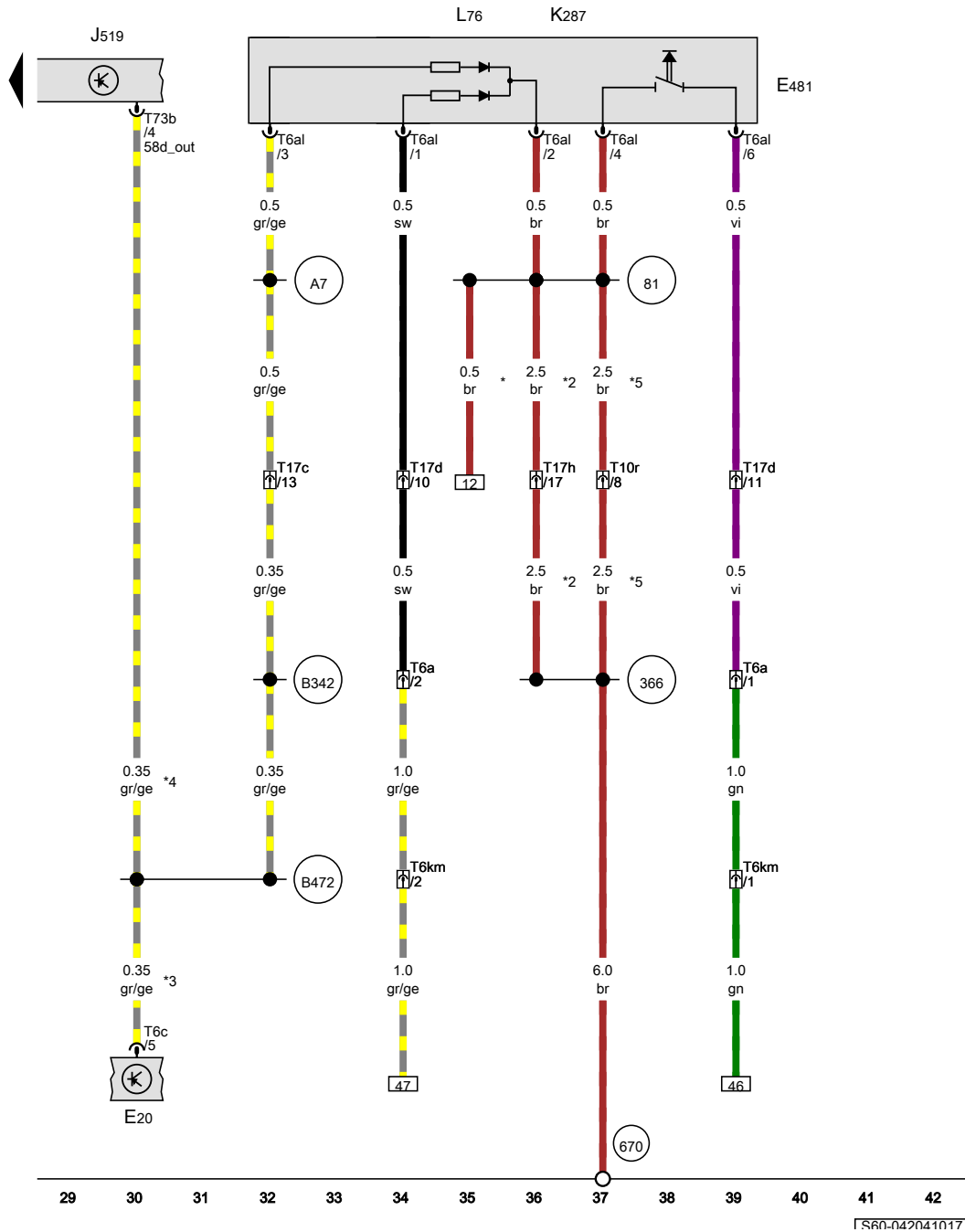
Heated rear window relay, Onboard supply control unit, Fuse 8 in fuse holder F, Fuse 62 on fuse holder C, Heated rear window, Heated rear window for hardtop

- J9 Heated rear window relay, near rear lid, behind moulded headliner
- J519 Onboard supply control unit
- SF8 Fuse 8 in fuse holder F
- SC62 Fuse 62 on fuse holder C
- T1a 1-pin connector, black
- T1c 1-pin connector, black
- T1j 1-pin connector, black, on rear roof module
- T2by 2-pin connector, black, Coupling point for rear lid
- T2fj 2-pin connector, brown, on cross panel, rear, left
- T2fp 2-pin connector, black, in rear part of roof, left
- T6km 6-pin connector, black, near rear lid, behind moulded headliner
- T17m 17-pin connector, brown, near handbrake lever
- T73b 73-pin connector, colourless
- Z1 Heated rear window
- Z129 Heated rear window for hardtop, in rear lid

- 61 Earth point, left C-pillar
- 65 Earth point, on rear of left longitudinal member
- 86 Earth connection 1, in rear wiring harness
- 252 Earth connection, in optional equipment wiring harness
- 370 Earth connection 5, in main wiring harness
- B442 Connection 1 (rear window), in main wiring harness

* For models with trailer socket
 *2 For models with no towing bracket

- ws = white
- sw = black
- ro = red
- rt = red
- br = brown
- gn = green
- bl = blue
- gr = grey
- li = purple
- vi = purple
- ge = yellow
- or = orange
- rs = pink



Switch and instrument illumination regulator, Load area illumination switch, Onboard supply control unit

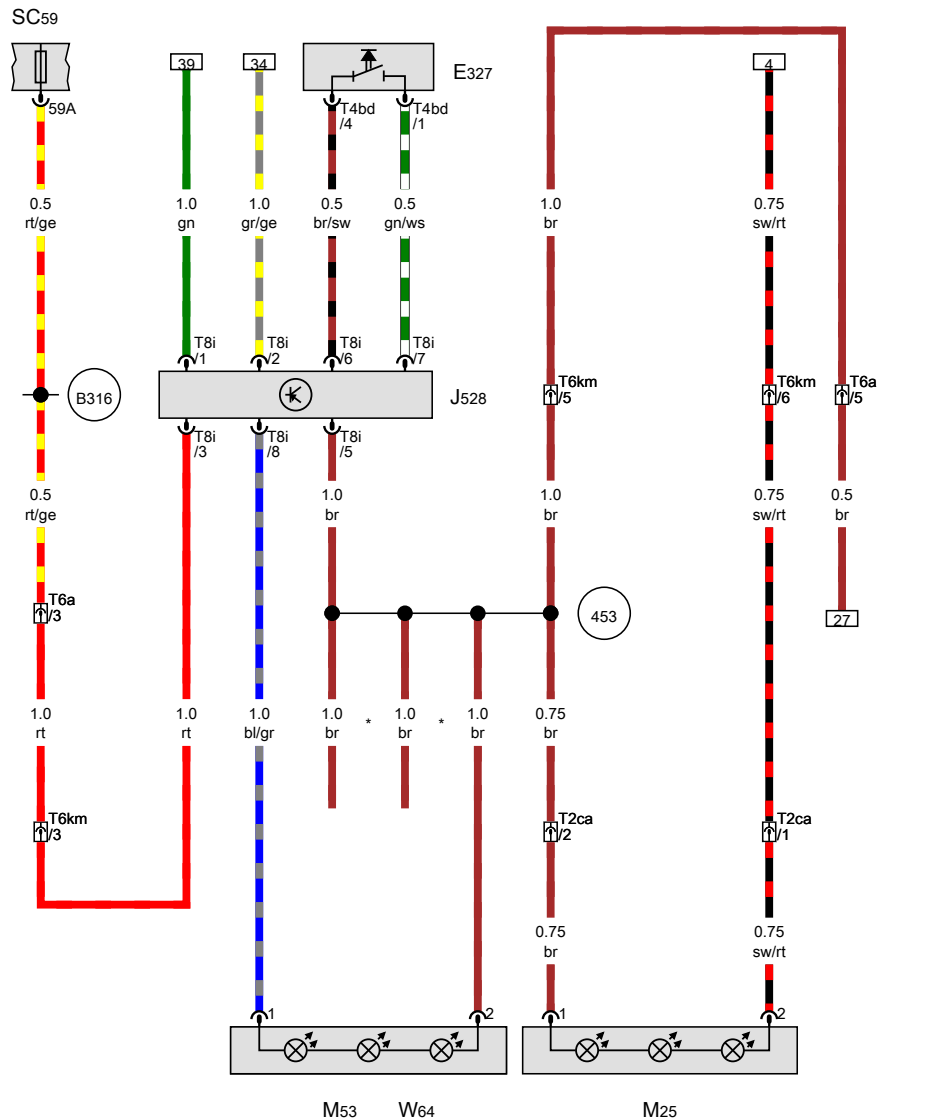
- E20 Switch and instrument illumination regulator
- E481 Load area illumination switch, near radio
- J519 Onboard supply control unit
- K287 Function monitor warning lamp
- L76 Button illumination bulb
- T6a 6-pin connector, black, on rear roof module
- T6al 6-pin connector, blue
- T6c 6-pin connector, black
- T6km 6-pin connector, black, near rear lid, behind moulded headliner
- T10r 10-pin connector, blue, behind dash panel, right
- T17c 17-pin connector, white, on left under dash panel
- T17d 17-pin connector, green, on left under dash panel
- T17h 17-pin connector, blue, on left under dash panel
- T73b 73-pin connector, colourless

- (81) Earth connection 1, in dash panel wiring harness
- (366) Earth connection 1, in main wiring harness
- (670) Earth point 2, left A-pillar
- (A7) Positive connection (58 D1), in dash panel wiring harness
- (B342) Connection 3 (58d), in main wiring harness
- (B472) Connection 8, in main wiring harness

- * For models with no air conditioning system/Climatronic
- *2 For left-hand drive models
- *3 For models with dimmable instrument illumination
- *4 For models with no dimmable instrument illumination
- *5 For right-hand drive models

- ws = white
- sw = black
- ro = red
- rt = red
- br = brown
- gn = green
- bl = blue
- gr = grey
- li = purple
- vi = purple
- ge = yellow
- or = orange
- rs = pink

[S60-042041017]



Rear interior light button, Roof electronics control unit, High-level brake light bulb, Load area illumination bulb, Fuse 59 on fuse holder C

- E327 Rear interior light button, in left D-pillar
- J528 Roof electronics control unit, near rear lid, behind moulded headliner
- M25 High-level brake light bulb
- M53 Load area illumination bulb
- SC59 Fuse 59 on fuse holder C
- T2ca 2-pin connector, black, Coupling point for rear lid
- T4bd 4-pin connector, black
- T6a 6-pin connector, black, on rear roof module
- T6km 6-pin connector, black, near rear lid, behind moulded headliner
- T8i 8-pin connector, black
- W64 Interior light

- 453 Earth connection 3, in optional equipment wiring harness
- B316 Positive connection 2 (30a) in main wiring harness
- * Wiring open end

- ws = white
- sw = black
- ro = red
- rt = red
- br = brown
- gn = green
- bl = blue
- gr = grey
- li = purple
- vi = purple
- ge = yellow
- or = orange
- rs = pink

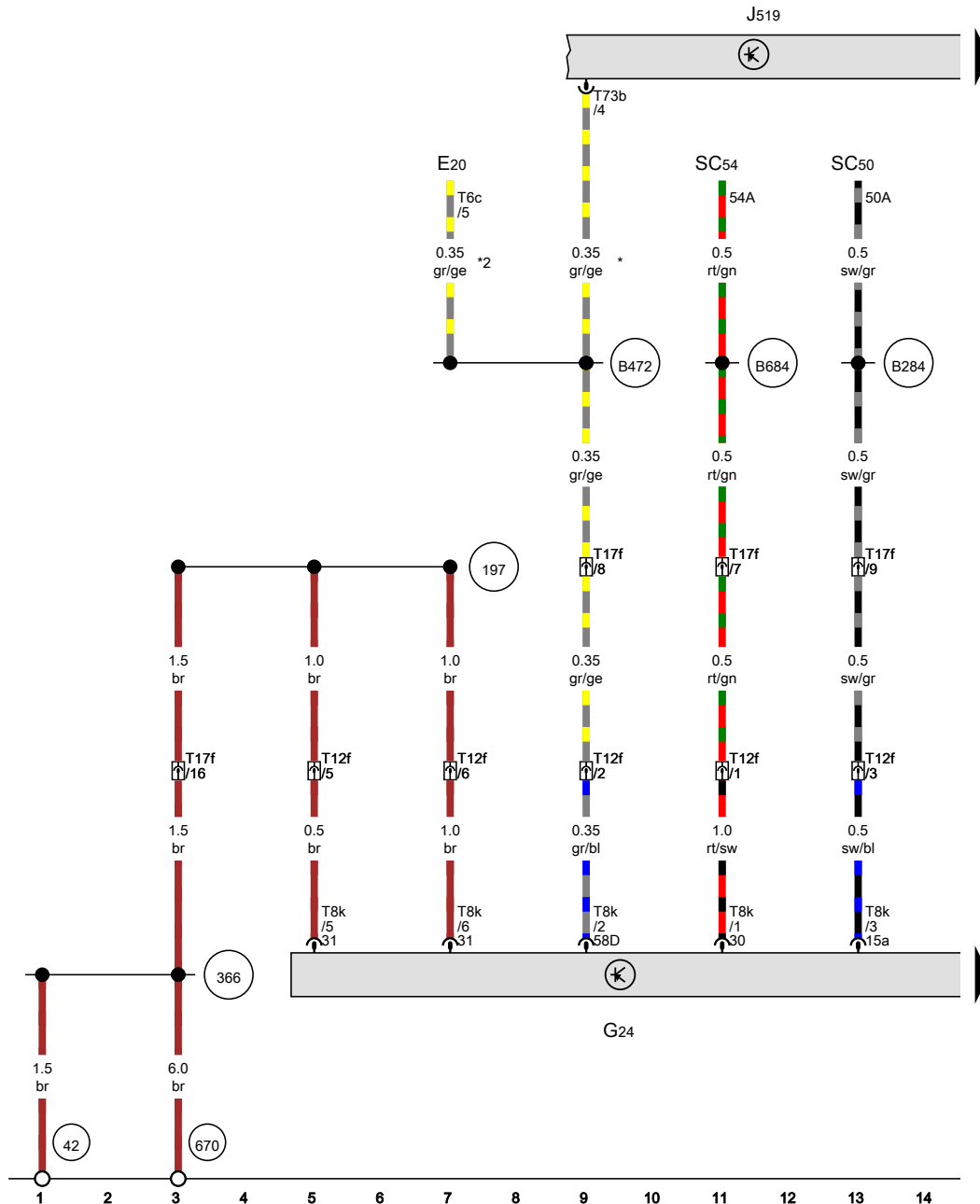
43 44 45 46 47 48 49 50 51 52 53 54 55 56

[S60-042051017]

Electronic logbook, chip card reader unit , (9ND),(9NE)

From June 2016

Tachograph, Onboard supply control unit, Fuse 50 on fuse holder C, Fuse 54 on fuse holder C



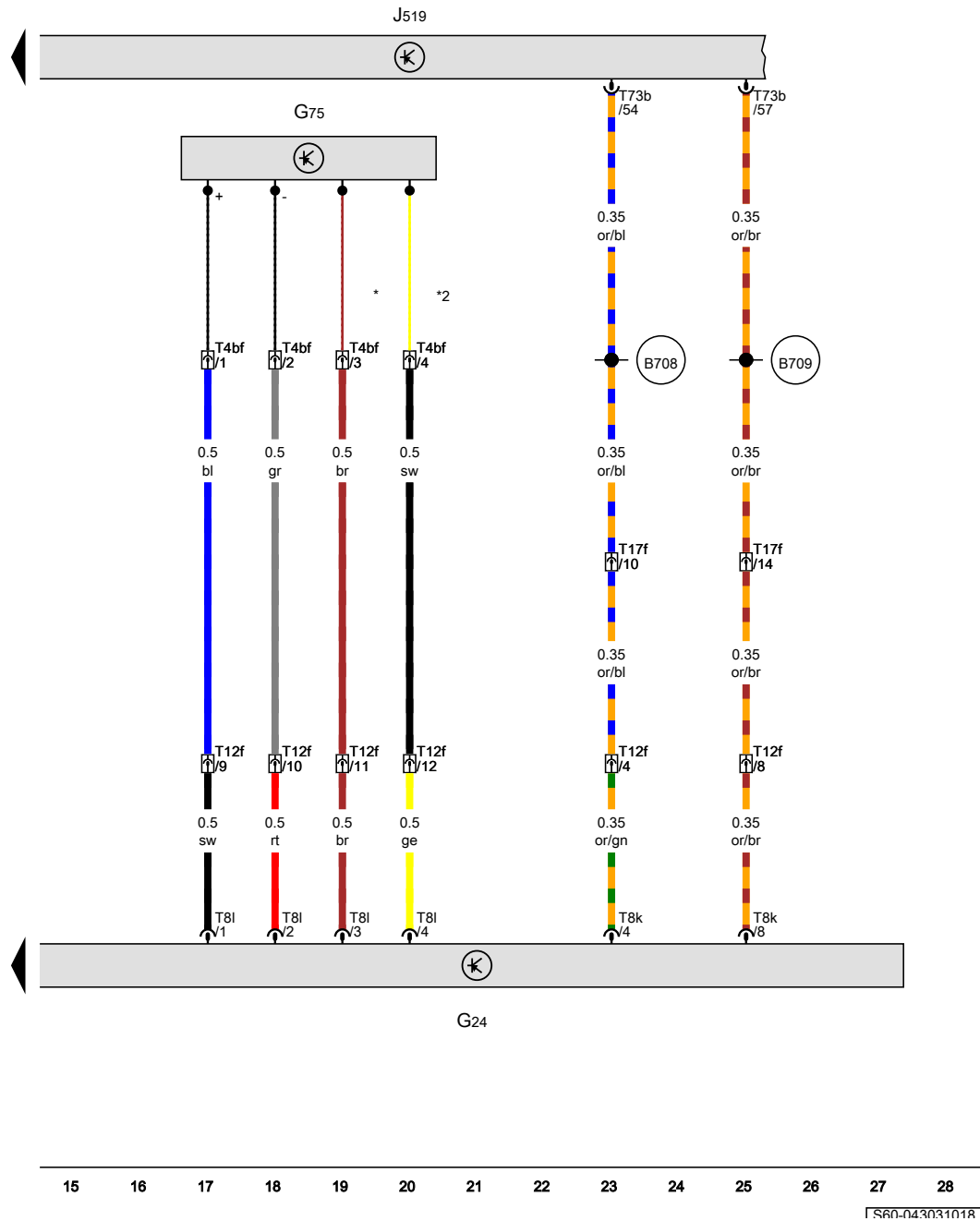
- E20 Switch and instrument illumination regulator
- G24 Tachograph
- J519 Onboard supply control unit
- SC50 Fuse 50 on fuse holder C
- SC54 Fuse 54 on fuse holder C
- T6c 6-pin connector, black
- T8k 8-pin connector, colourless
- T12f 12-pin connector, black, near handbrake lever
- T17f 17-pin connector, blue, near handbrake lever
- T73b 73-pin connector, colourless

- 42 Earth point, next to steering column
- 197 Earth connection 4, in rear wiring harness
- 366 Earth connection 1, in main wiring harness
- 670 Earth point 2, left A-pillar
- B284 Positive connection 8 (15a) in main wiring harness
- B472 Connection 8, in main wiring harness
- B684 Positive connection 24 (30a) in main wiring harness
- * For models with no dimmable instrument illumination
- *2 For models with dimmable instrument illumination

- ws = white
- sw = black
- ro = red
- rt = red
- br = brown
- gn = green
- bl = blue
- gr = grey
- li = purple
- vi = purple
- ge = yellow
- or = orange
- rs = pink

[S60-043021018]

Tachograph, Tachograph sender, Onboard supply control unit



- G24 Tachograph
- G75 Tachograph sender, on rear axle, right
- J519 Onboard supply control unit
- T4bf 4-pin connector, black, on underbody, near rear axle
- T8k 8-pin connector, colourless
- T8l 8-pin connector, yellow
- T12f 12-pin connector, black, near handbrake lever
- T17f 17-pin connector, blue, near handbrake lever
- T73b 73-pin connector, colourless
- (B708) Connection 1 (dash panel insert CAN bus high) in main wiring harness
- (B709) Connection 1 (dash panel insert CAN bus low) in main wiring harness
- * Speed signal
- *2 Data wire

Provision for side member lighting , (NU2)

From June 2016

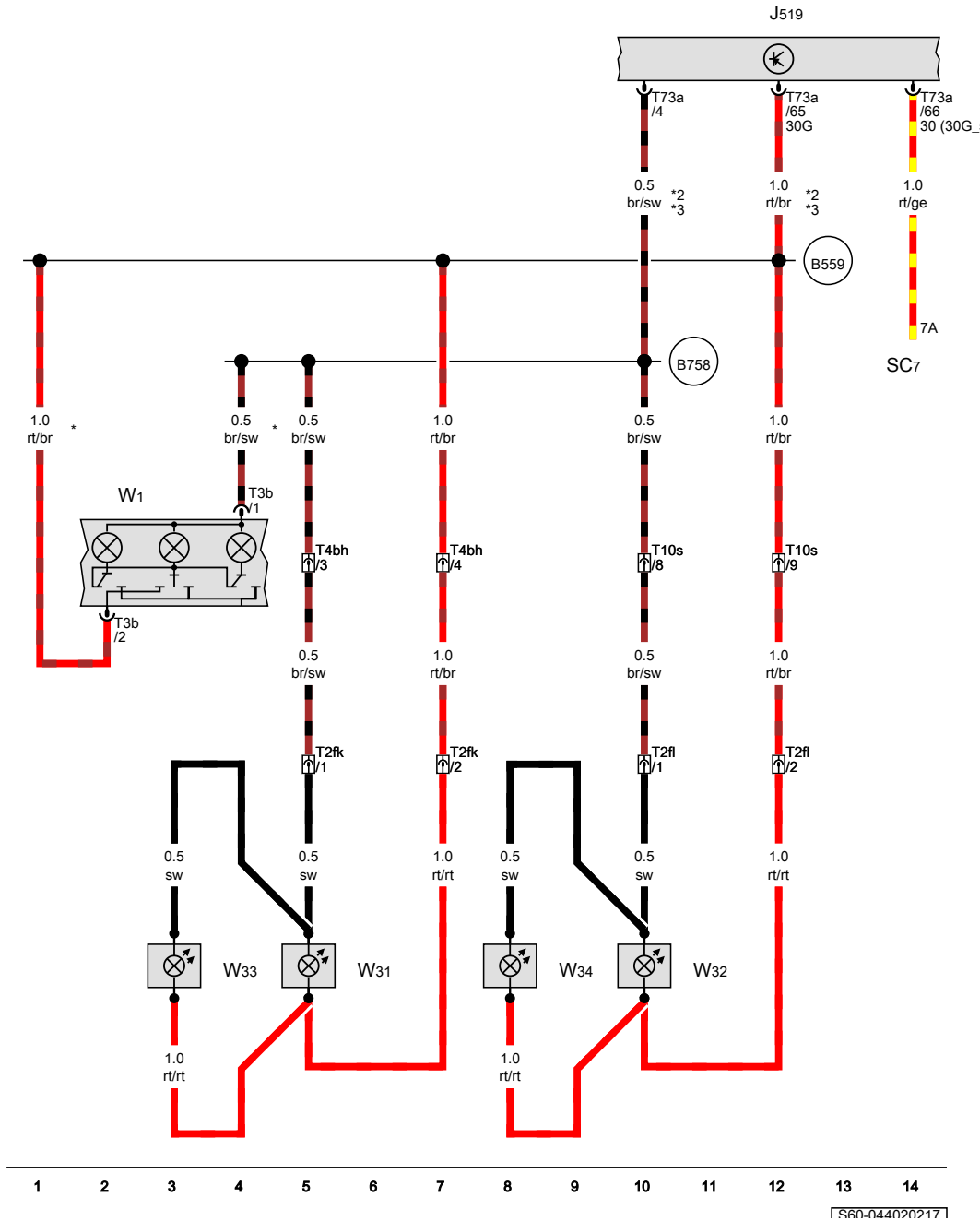
Fuse 7 on fuse holder C, Front interior light

- J519 Onboard supply control unit
- SC7 Fuse 7 on fuse holder C
- T2fk 2-pin connector, black, bottom, left, near entry light
- T2fl 2-pin connector, black, bottom, right, near entry light
- T3b 3-pin connector, black
- T4bh 4-pin connector, black, in rear left of engine compartment
- T10s 10-pin connector, black, in rear right of engine compartment
- T73a 73-pin connector, black
- W1 Front interior light
- W31 Front left entry light
- W32 Front right entry light
- W33 Rear left entry light
- W34 Rear right entry light

B559 Positive connection 1 (30g), in main wiring harness

B758 Connection 1 (Dct), in main wiring harness

- * see applicable current flow diagram for basic equipment
- *2 For models with double cab
- *3 Only models with Highline equipment

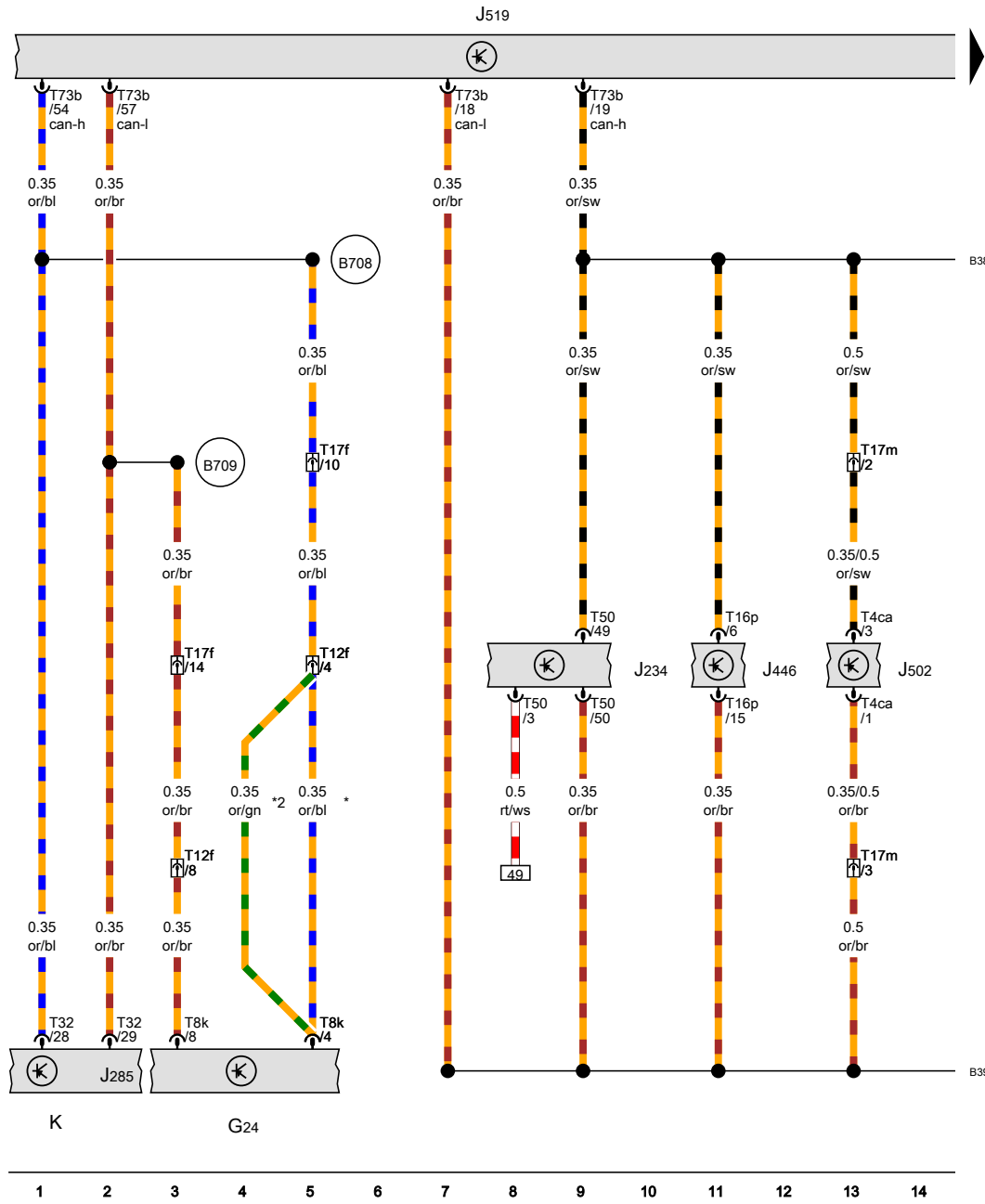


- ws = white
- sw = black
- ro = red
- rt = red
- br = brown
- gn = green
- bl = blue
- gr = grey
- li = purple
- vi = purple
- ge = yellow
- or = orange
- rs = pink

1S60-0440202171

Data bus network

From June 2016



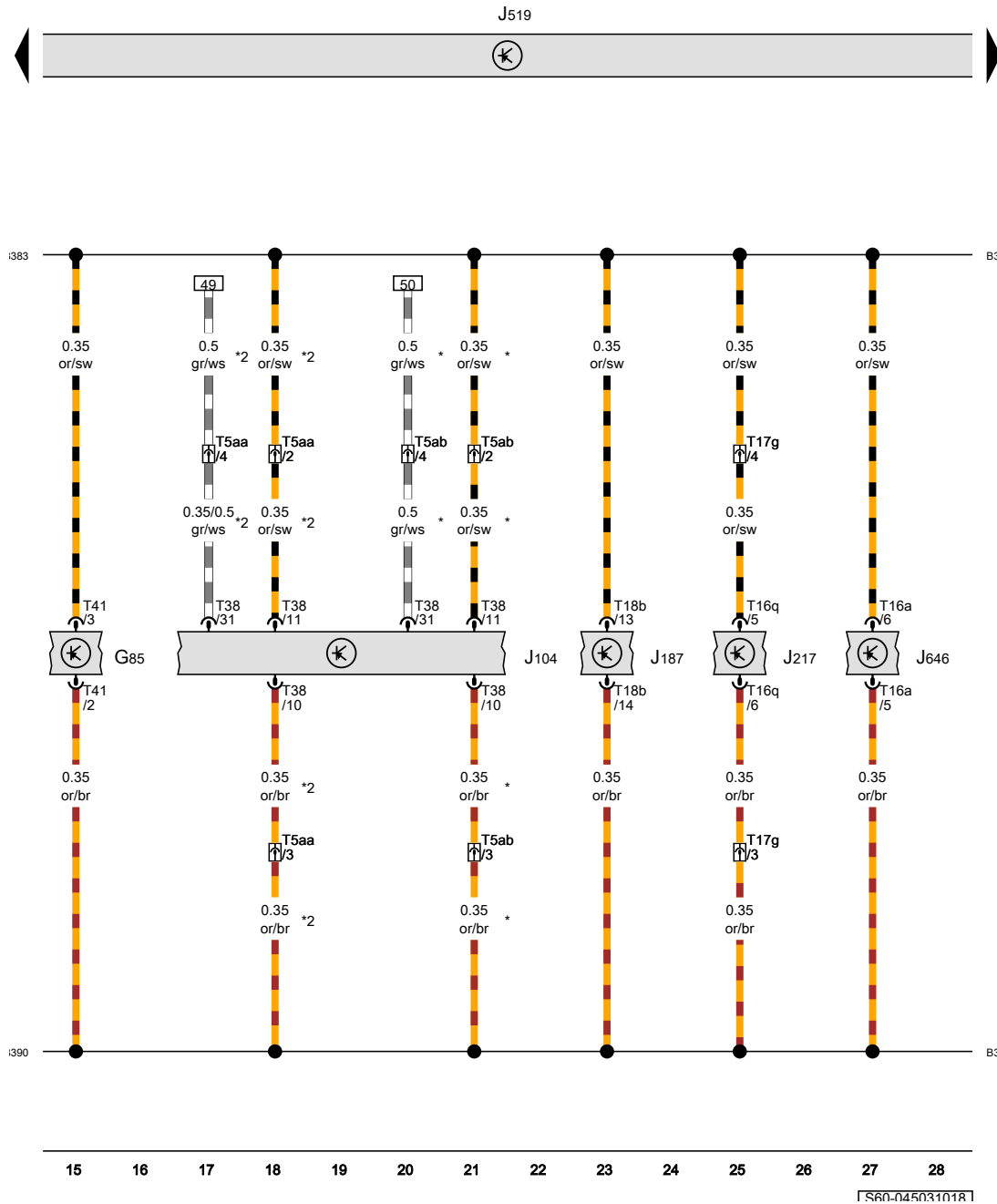
Tachograph, Connection 1 (powertrain CAN bus, high), in main wiring harness, Connection 1 (powertrain CAN bus, low), in main wiring harness, Connection 1 (dash panel insert CAN bus high) in main wiring harness, Connection 1 (dash panel insert CAN bus low) in main wiring harness

- G24 Tachograph
- J234 Airbag control unit
- J285 Control unit in dash panel insert
- J446 Parking aid control unit
- J502 Tyre Pressure Monitoring System control unit
- J519 Onboard supply control unit
- K Dash panel insert
- T4ca 4-pin connector, grey
- T8k 8-pin connector, colourless
- T12f 12-pin connector, black, near handbrake lever
- T16p 16-pin connector, brown
- T17f 17-pin connector, blue, near handbrake lever
- T17m 17-pin connector, brown, near handbrake lever
- T32 32-pin connector, blue
- T50 50-pin connector, yellow
- T73b 73-pin connector, colourless

- B383 Connection 1 (powertrain CAN bus, high), in main wiring harness
- B390 Connection 1 (powertrain CAN bus, low), in main wiring harness
- B708 Connection 1 (dash panel insert CAN bus high) in main wiring harness
- B709 Connection 1 (dash panel insert CAN bus low) in main wiring harness
- * From July 2017
- *2 Up to July 2017

- ws = white
- sw = black
- ro = red
- rt = red
- br = brown
- gn = green
- bl = blue
- gr = grey
- li = purple
- vi = purple
- ge = yellow
- or = orange
- rs = pink

1360-045021018



Connection 1 (powertrain CAN bus, high), in main wiring harness, Connection 1 (powertrain CAN bus, low), in main wiring harness

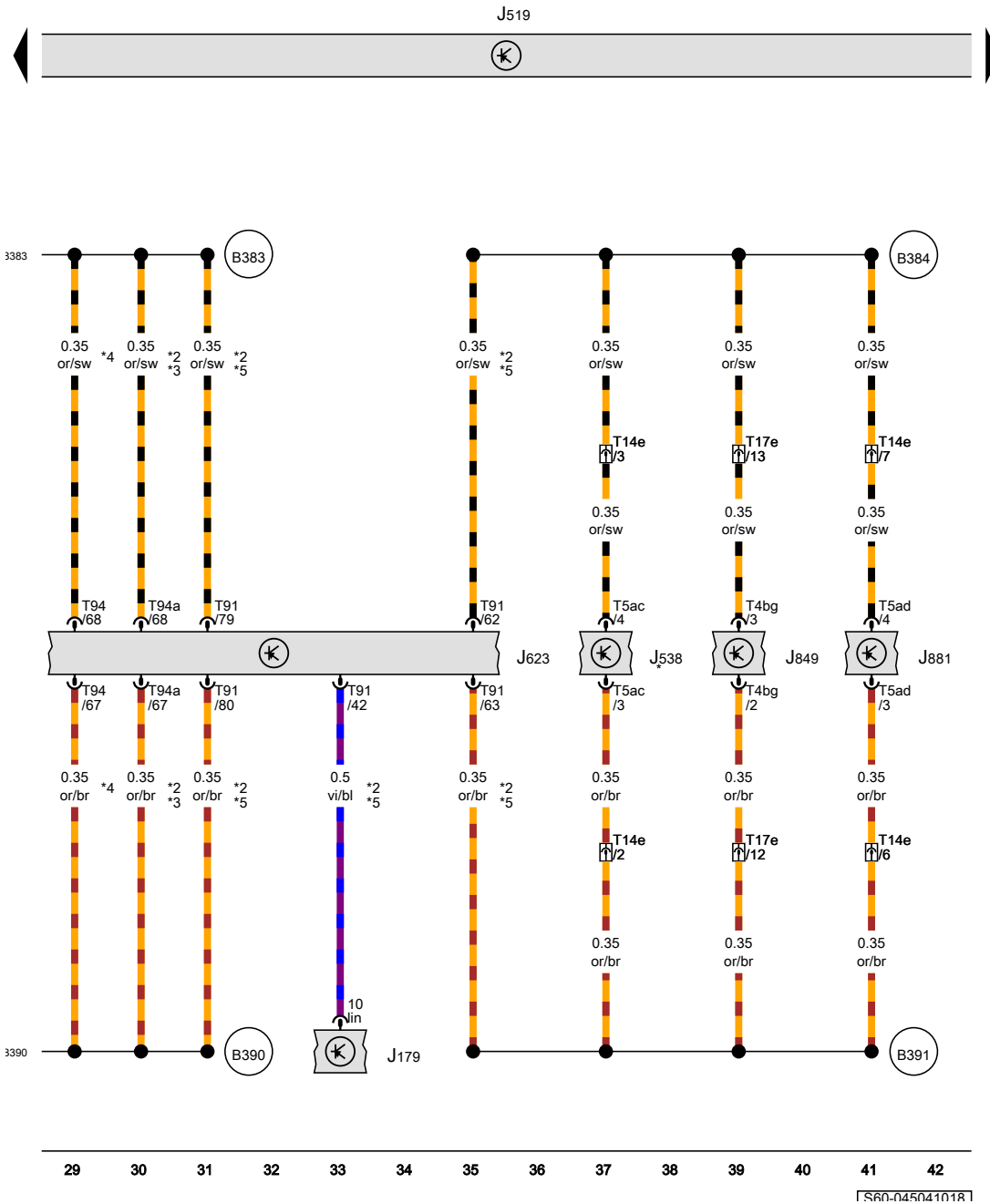
- G85 Steering angle sender
- J104 ABS control unit
- J187 Differential lock control unit
- J217 Automatic gearbox control unit
- J519 Onboard supply control unit
- J646 Transfer box control unit
- T5aa 5-pin connector, black, near battery
- T5ab 5-pin connector, black, near right headlight
- T16a 16-pin connector, brown
- T16q 16-pin connector, black
- T17g 17-pin connector, black, near handbrake lever
- T18b 18-pin connector, black
- T38 38-pin connector, black
- T41 41-pin connector, grey

B383 Connection 1 (powertrain CAN bus, high), in main wiring harness

B390 Connection 1 (powertrain CAN bus, low), in main wiring harness

- * For models with 3.0l engine
- *2 For models with 2.0l engine

- ws = white
- sw = black
- ro = red
- rt = red
- br = brown
- gn = green
- bl = blue
- gr = grey
- li = purple
- vi = purple
- ge = yellow
- or = orange
- rs = pink



Connection 1 (powertrain CAN bus, high), in main wiring harness, Connection 2 (powertrain CAN bus, high), in main wiring harness, Connection 1 (powertrain CAN bus, low), in main wiring harness, Connection 2 (powertrain CAN bus, low), in main wiring harness

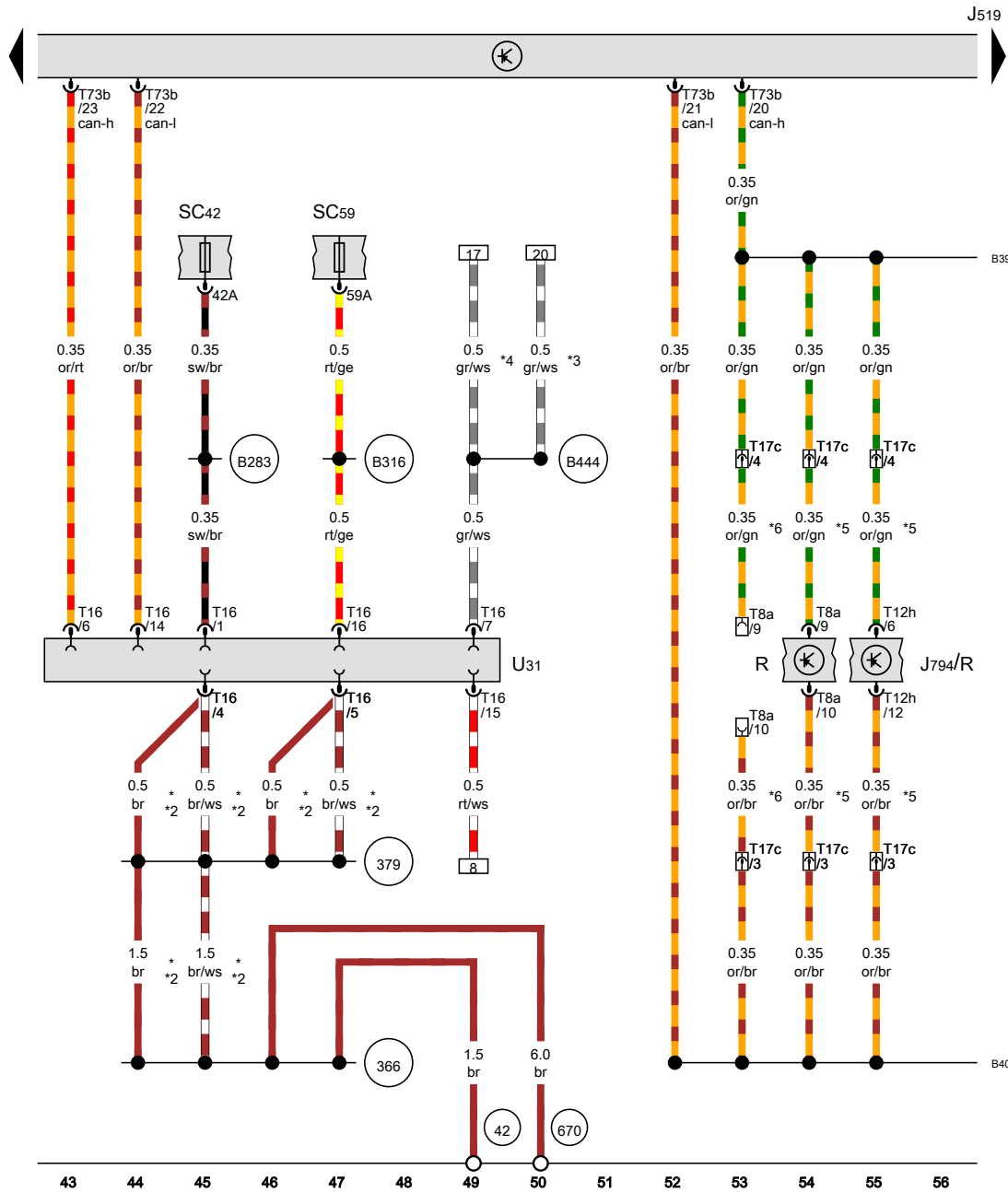
- J179 Automatic glow period control unit
- J519 Onboard supply control unit
- J538 Fuel pump control unit
- J623 Engine/motor control unit
- J849 Control unit for sensor electronics
- J881 Control unit for NOx sender 2
- T4bg 4-pin connector, black
- T5ac 5-pin connector, black
- T5ad 5-pin connector, black
- T14e 14-pin connector, grey, near right headlight
- T17e 17-pin connector, red, near handbrake lever
- T91 91-pin connector, black
- T94 94-pin connector, black
- T94a 94-pin connector, black

- Connection 1 (powertrain CAN bus, high), in main wiring harness
- Connection 2 (powertrain CAN bus, high), in main wiring harness
- Connection 1 (powertrain CAN bus, low), in main wiring harness
- Connection 2 (powertrain CAN bus, low), in main wiring harness

- * Pre-wired component
- *2 For models with diesel engine
- *3 For models with 2.0l engine
- *4 For models with petrol engine
- *5 For models with 3.0l engine

- ws = white
- sw = black
- ro = red
- rt = red
- br = brown
- gn = green
- bl = blue
- gr = grey
- li = purple
- vi = purple
- ge = yellow
- or = orange
- rs = pink

TS60-045041018



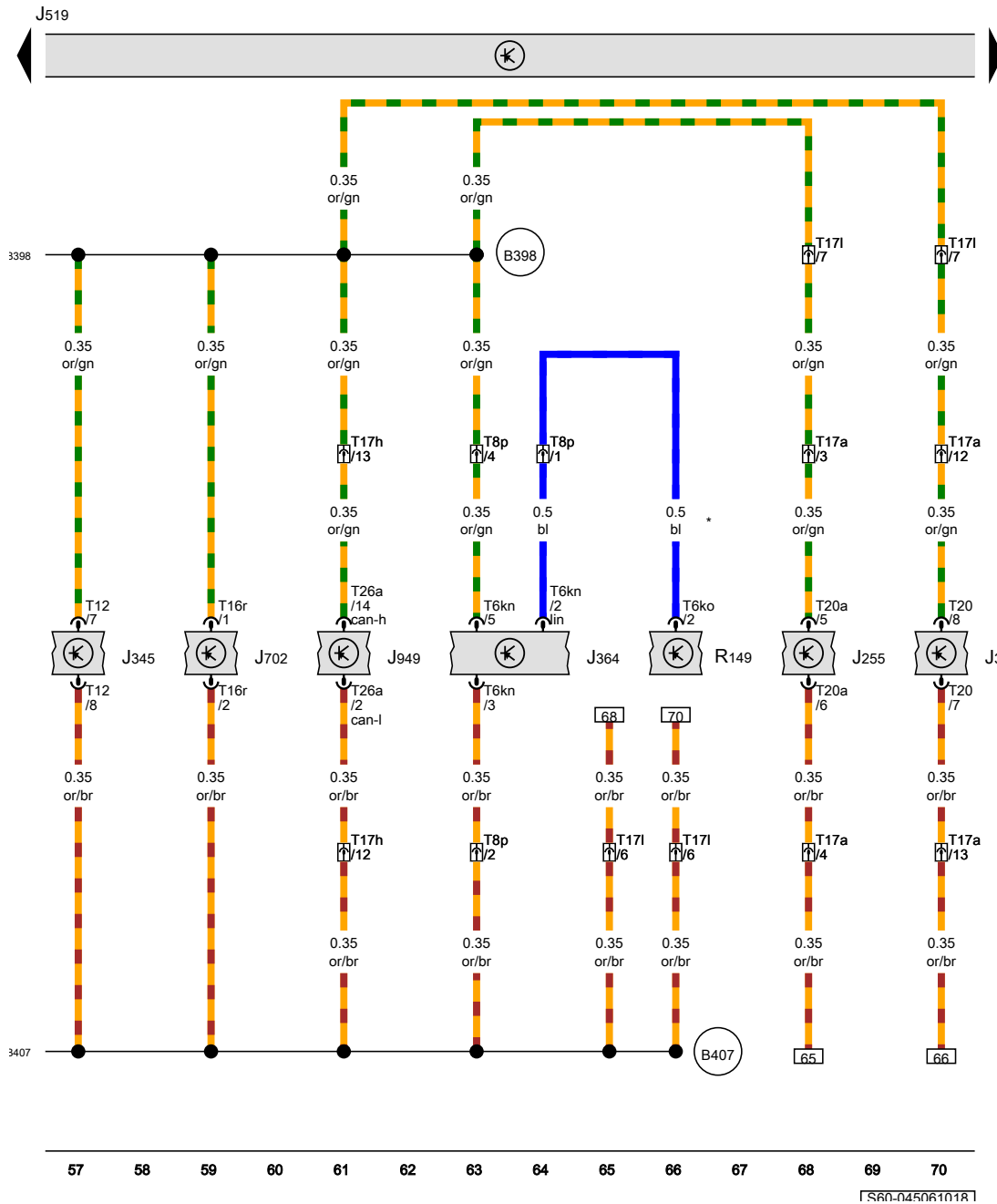
ws = white
 sw = black
 ro = red
 rt = red
 br = brown
 gn = green
 bl = blue
 gr = grey
 li = purple
 vi = purple
 ge = yellow
 or = orange
 rs = pink

Fuse 42 on fuse holder C, Fuse 59 on fuse holder C, Diagnostic connection, Connection 2 (convenience CAN bus, high), in main wiring harness, Connection 2 (convenience CAN bus, low), in main wiring harness, Connection 1 (diagnosis), in main wiring harness

- J519 Onboard supply control unit
- J794 Control unit 1 for information electronics
- R Radio
- SC42 Fuse 42 on fuse holder C
- SC59 Fuse 59 on fuse holder C
- T8a 8-pin connector, black, in slot for radio
- T12h 12-pin connector, black
- T16 16-pin connector, black
- T17c 17-pin connector, white, behind dash panel
- T73b 73-pin connector, colourless
- U31 Diagnostic connection, near lower part of right A-pillar

- 42 Earth point, next to steering column
- 366 Earth connection 1, in main wiring harness
- 379 Earth connection 14, in main wiring harness
- 670 Earth point 2, left A-pillar
- B283 Positive connection 7 (15a) in main wiring harness
- B316 Positive connection 2 (30a) in main wiring harness
- B398 Connection 2 (convenience CAN bus, high), in main wiring harness
- B407 Connection 2 (convenience CAN bus, low), in main wiring harness
- B444 Connection 1 (diagnosis), in main wiring harness
- * Wiring colour depends on equipment
- *2 see applicable current flow diagram for earthing concept
- *3 For models with 3.0l engine
- *4 For models with 2.0l engine
- *5 see applicable current flow diagram for radio/ radio navigation system
- *6 For models with preparation for radio

1S60-0450510181



Connection 2 (convenience CAN bus, high), in main wiring harness, Connection 2 (convenience CAN bus, low), in main wiring harness

- J255 Climatronic control unit
- J301 Air conditioning system control unit
- J345 Trailer detector control unit
- J364 Auxiliary heater control unit
- J519 Onboard supply control unit
- J702 Roof display unit
- J949 Emergency call module control unit and communication unit
- R149 Remote control receiver for auxiliary coolant heater
- T6kn 6-pin connector, black
- T6ko 6-pin connector, blue
- T8p 8-pin connector, black, near battery
- T12 12-pin connector, red
- T16r 16-pin connector, black
- T17a 17-pin connector, black, behind glove compartment
- T17h 17-pin connector, blue, behind dash panel
- T17i 17-pin connector, brown, behind dash panel
- T20 20-pin connector, black
- T20a 20-pin connector, black
- T26a 26-pin connector, black

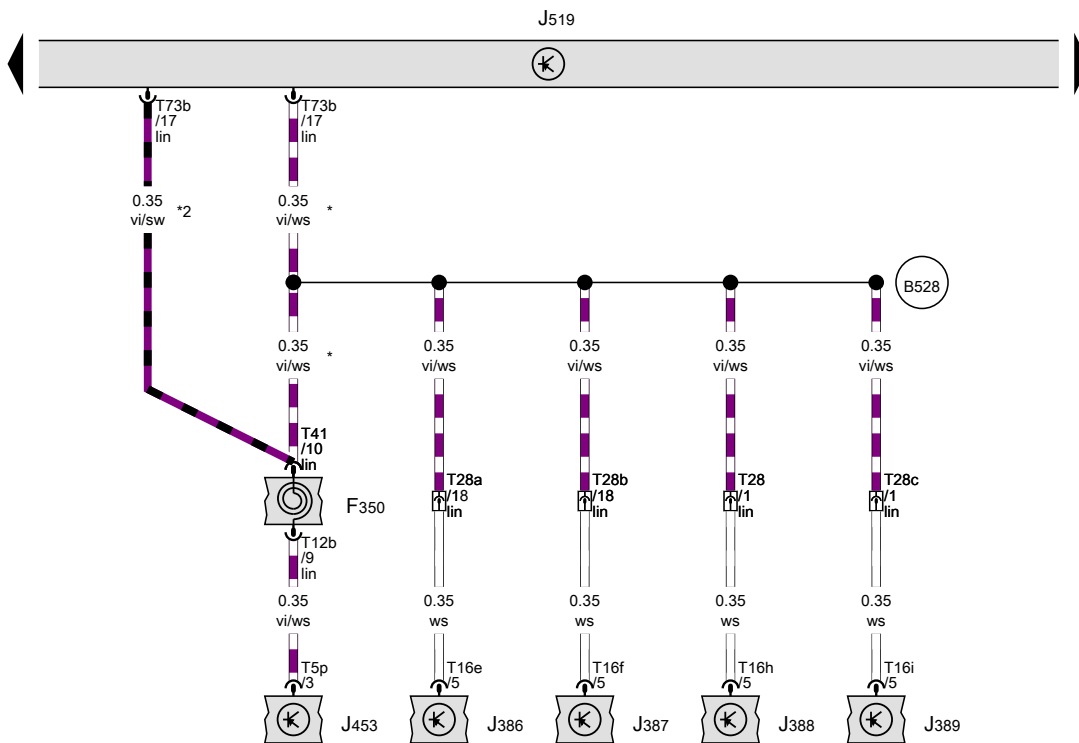
Connection 2 (convenience CAN bus, high), in main wiring harness

Connection 2 (convenience CAN bus, low), in main wiring harness

* For models with remote control receiver for auxiliary coolant heater

- ws = white
- sw = black
- ro = red
- rt = red
- br = brown
- gn = green
- bl = blue
- gr = grey
- li = purple
- vi = purple
- ge = yellow
- or = orange
- rs = pink

[S60-045061018]



Connection 1 (LIN bus) in main wiring harness

- F350 Coil connector
- J386 Driver door control unit
- J387 Front passenger door control unit
- J388 Rear left door control unit
- J389 Rear right door control unit
- J453 Multifunction steering wheel control unit
- J519 Onboard supply control unit
- T5p 5-pin connector, black
- T12b 12-pin connector, yellow
- T16e 16-pin connector, black
- T16f 16-pin connector, black
- T16h 16-pin connector, black
- T16i 16-pin connector, black
- T28 28-pin connector, black, on left B-pillar
- T28a 28-pin connector, black, on left A-pillar
- T28b 28-pin connector, black, on right A-pillar
- T28c 28-pin connector, black, on right B-pillar
- T41 41-pin connector, grey
- T73b 73-pin connector, colourless

B528 Connection 1 (LIN bus) in main wiring harness

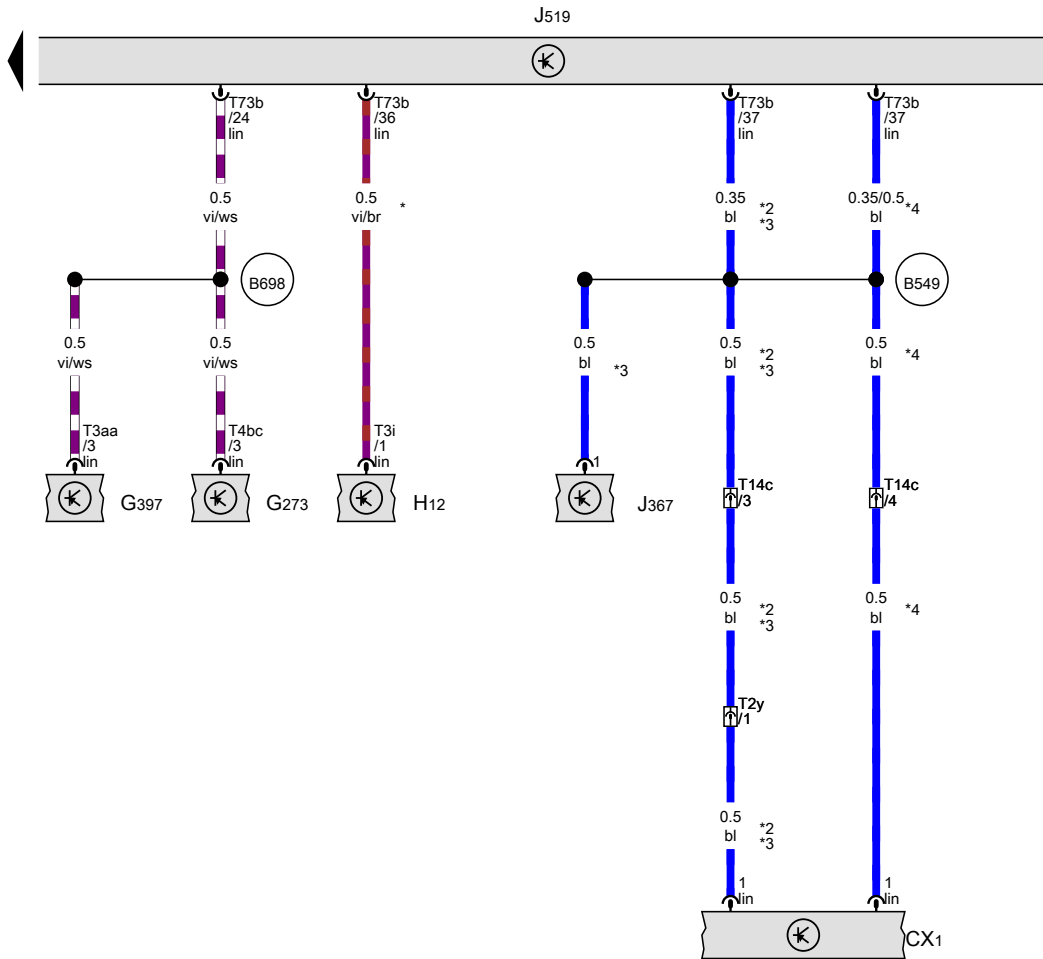
* For models with electric window regulators

*2 For models with manual window regulators

- ws = white
- sw = black
- ro = red
- rt = red
- br = brown
- gn = green
- bl = blue
- gr = grey
- li = purple
- vi = purple
- ge = yellow
- or = orange
- rs = pink

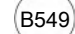
71 72 73 74 75 76 77 78 79 80 81 82 83 84

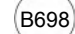
[S60-045071018]



Connection 2 (LIN bus) in main wiring harness, Connection 3 (LIN bus) in main wiring harness

- CX1 Alternator with voltage regulator
- G273 Interior monitoring sensor
- G397 Rain and light sensor
- H12 Alarm horn
- J367 Battery monitor control unit
- J519 Onboard supply control unit
- T2y 2-pin connector, black, front left in engine compartment
- T3aa 3-pin connector, black
- T3i 3-pin connector, black
- T4bc 4-pin connector, black
- T14c 14-pin connector, black, near battery
- T73b 73-pin connector, colourless

 Connection 2 (LIN bus) in main wiring harness

 Connection 3 (LIN bus) in main wiring harness

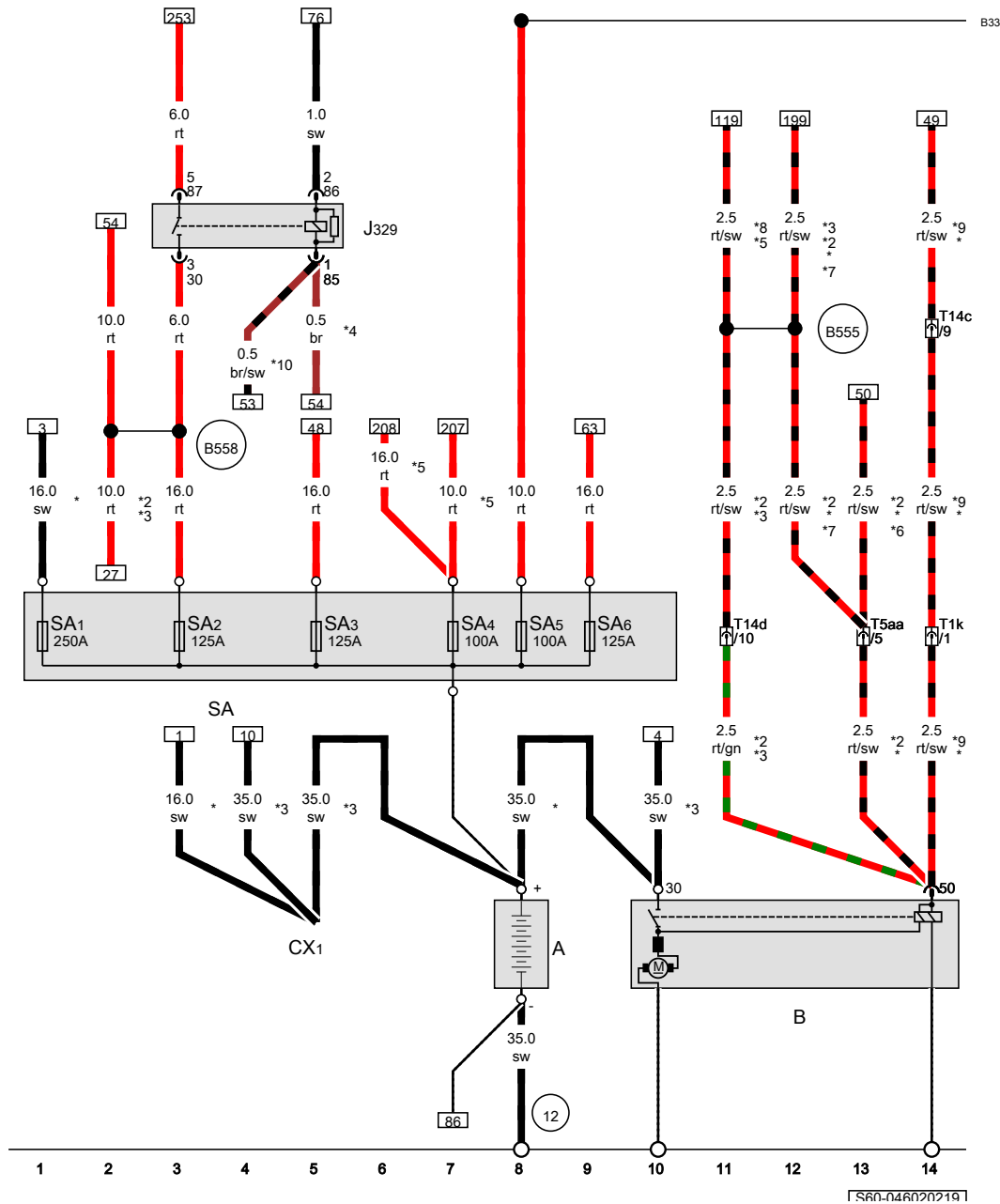
- * For models with anti-theft alarm system
- *2 For models with 2.0l engine
- *3 For models with start/stop system
- *4 For models with 3.0l engine

- ws = white
- sw = black
- ro = red
- rt = red
- br = brown
- gn = green
- bl = blue
- gr = grey
- li = purple
- vi = purple
- ge = yellow
- or = orange
- rs = pink

Fuse assignment

From June 2016

Battery, Starter, Terminal 15 voltage supply relay, Fuse holder A



- A Battery
- B Starter
- CX1 Alternator with voltage regulator
- J329 Terminal 15 voltage supply relay
- SA Fuse holder A
- SA1 Fuse 1 on fuse holder A
- SA2 Fuse 2 on fuse holder A
- SA3 Fuse 3 on fuse holder A
- SA4 Fuse 4 on fuse holder A
- SA5 Fuse 5 on fuse holder A
- SA6 Fuse 6 on fuse holder A
- T1k 1-pin connector, black, near starter
- T5aa 5-pin connector, black, near battery
- T14c 14-pin connector, grey, near battery
- T14d 14-pin connector, black, near battery

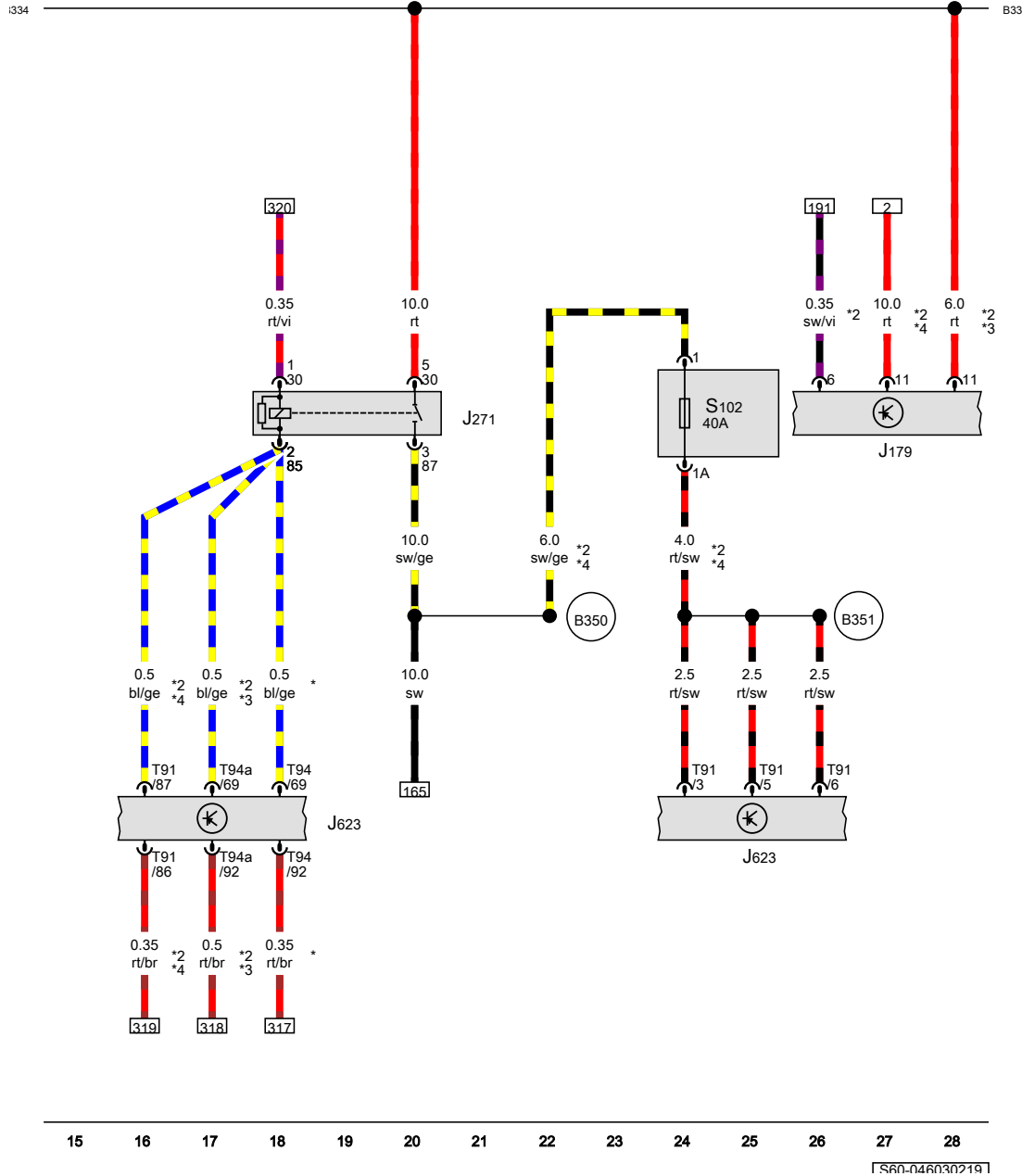
- 12 Earth point, on left in engine compartment
- B334 Positive connection 20 (30a) in main wiring harness
- B555 Positive connection 2 (50), in main wiring harness
- B558 Positive connection 22 (30a) in main wiring harness

- * For models with 2.0l engine
- *2 For models with diesel engine
- *3 For models with 3.0l engine
- *4 Up to February 2017
- *5 see applicable current flow diagram for engine
- *6 For models with no start/stop system
- *7 For models with start/stop system
- *8 According to equipment
- *9 For models with petrol engine
- *10 From February 2017

- ws = white
- sw = black
- ro = red
- rt = red
- br = brown
- gn = green
- bl = blue
- gr = grey
- li = purple
- vi = purple
- ge = yellow
- or = orange
- rs = pink

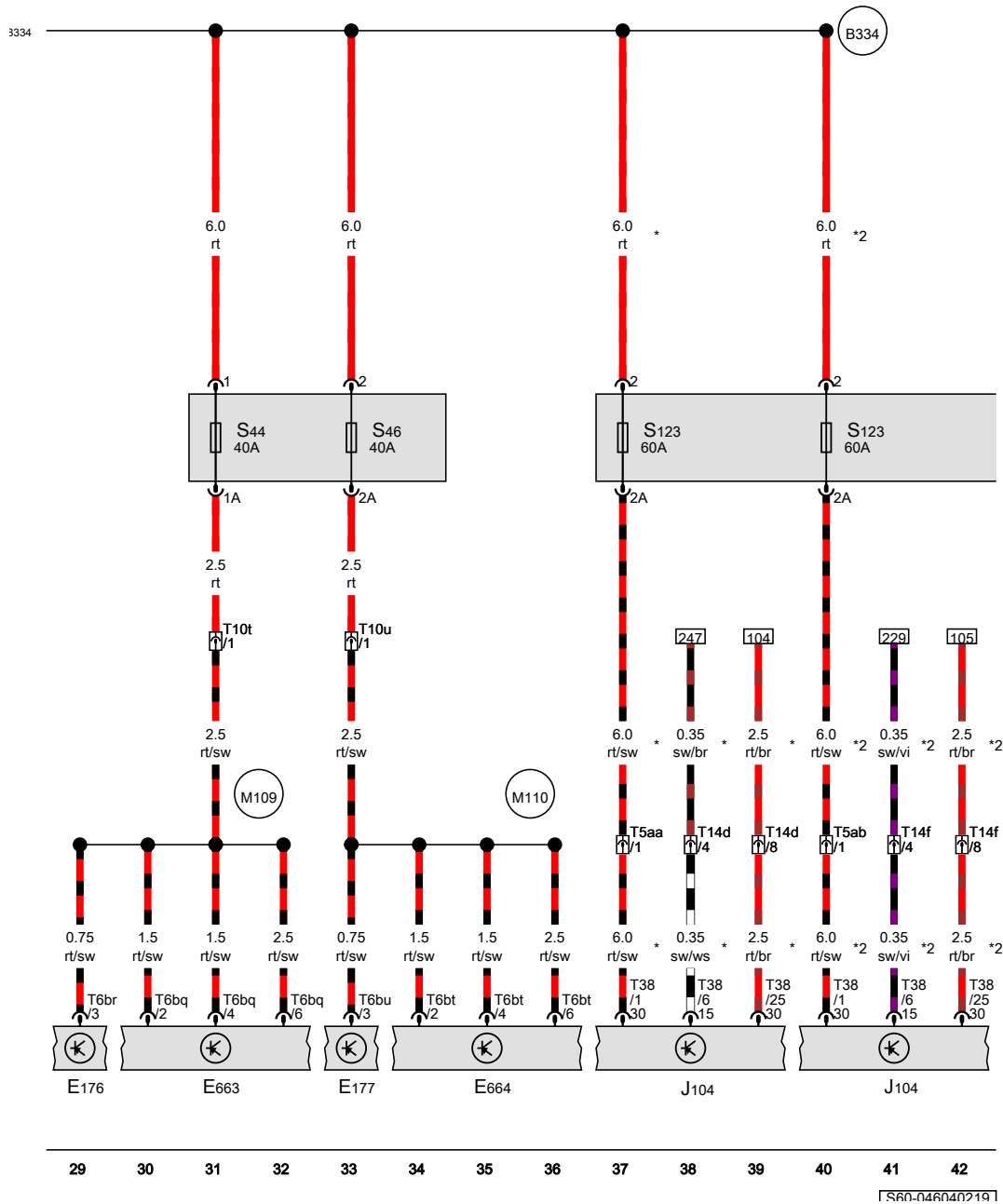
[S60-046020219]

Main relay, Engine/motor control unit fuse

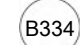


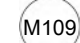
- J179 Automatic glow period control unit
- J271 Main relay
- J623 Engine/motor control unit
- S102 Engine/motor control unit fuse
- T91 91-pin connector, black
- T94 94-pin connector, black
- T94a 94-pin connector, black
- B334 Positive connection 20 (30a) in main wiring harness
- B350 Positive connection 1 (87a) in main wiring harness
- B351 Positive connection 2 (87a) in main wiring harness
- * For models with petrol engine
- *2 For models with diesel engine
- *3 For models with 2.0l engine
- *4 For models with 3.0l engine


Driver seat adjustment thermal fuse 1, Front passenger seat adjustment thermal fuse 1, ABS control unit fuse 1



- E176 Driver seat lumbar support adjustment switch
- E177 Front passenger seat lumbar support adjustment switch
- E663 Switch module for driver seat
- E664 Switch module for front passenger seat
- J104 ABS control unit
- S44 Driver seat adjustment thermal fuse 1
- S46 Front passenger seat adjustment thermal fuse 1
- S123 ABS control unit fuse 1
- T5aa 5-pin connector, black, near battery
- T5ab 5-pin connector, black, near right headlight
- T6bq 6-pin connector, black
- T6br 6-pin connector, black
- T6bt 6-pin connector, black
- T6bu 6-pin connector, black
- T10t 10-pin connector, black, under driver seat
- T10u 10-pin connector, black, under front passenger seat
- T14d 14-pin connector, black, near battery
- T14f 14-pin connector, black, near right headlight
- T38 38-pin connector, black

 B334 Positive connection 20 (30a) in main wiring harness

 M109 Connection 1 (30), in front left seat wiring harness

 M110 Connection 1 (30), in front right seat wiring harness

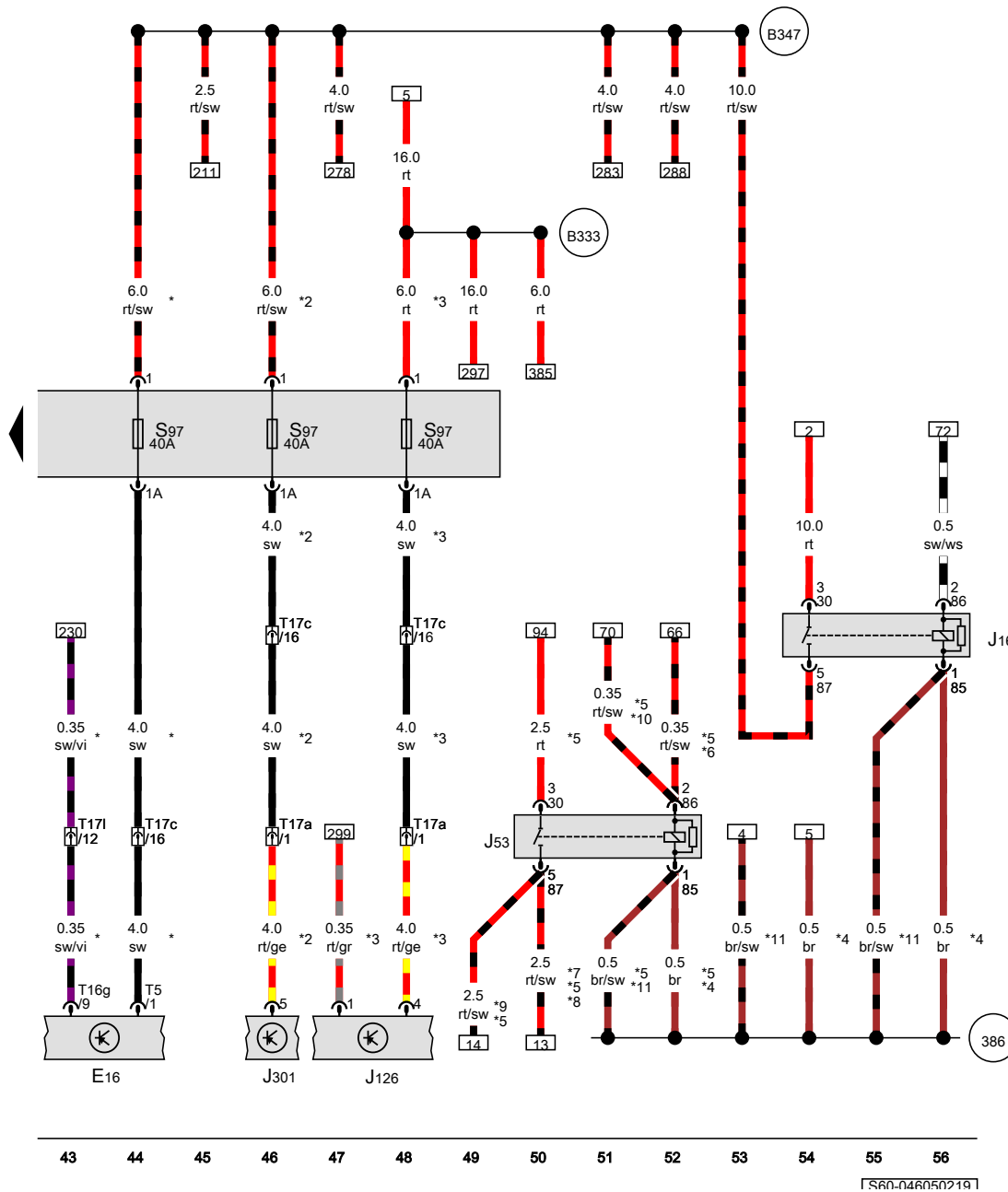
* For models with 2.0l engine

*2 For models with 3.0l engine

- ws = white
- sw = black
- ro = red
- rt = red
- br = brown
- gn = green
- bl = blue
- gr = grey
- li = purple
- vi = purple
- ge = yellow
- or = orange
- rs = pink

TS60-0460402191

Current supply relay, Starter motor relay, Fresh air blower fuse 1



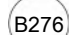
- E16 Heater/heat output switch
- J16 Current supply relay
- J53 Starter motor relay
- J126 Fresh air blower control unit
- J301 Air conditioning system control unit
- S97 Fresh air blower fuse 1, black, next to steering column
- T5 5-pin connector, black
- T16g 16-pin connector, black
- T17a 17-pin connector, black
- T17c 17-pin connector, white, behind dash panel
- T17l 17-pin connector, brown, behind dash panel

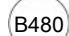
- 386 Earth connection 21, in main wiring harness
- B333 Positive connection 19 (30a) in main wiring harness
- B347 Connection 2 (75), in main wiring harness
- * For models with no air conditioning system
- *2 For models with Climatic
- *3 For models with Climaticron
- *4 Up to February 2017
- *5 For models with 2.0l engine
- *6 For models with manual gearbox
- *7 For models with diesel engine
- *8 For models with no start/stop system
- *9 For models with petrol engine
- *10 For models with automatic gearbox
- *11 From February 2017

- ws = white
- sw = black
- ro = red
- rt = red
- br = brown
- gn = green
- bl = blue
- gr = grey
- li = purple
- vi = purple
- ge = yellow
- or = orange
- rs = pink

Fuse 1 on fuse holder C, Fuse 2 on fuse holder C

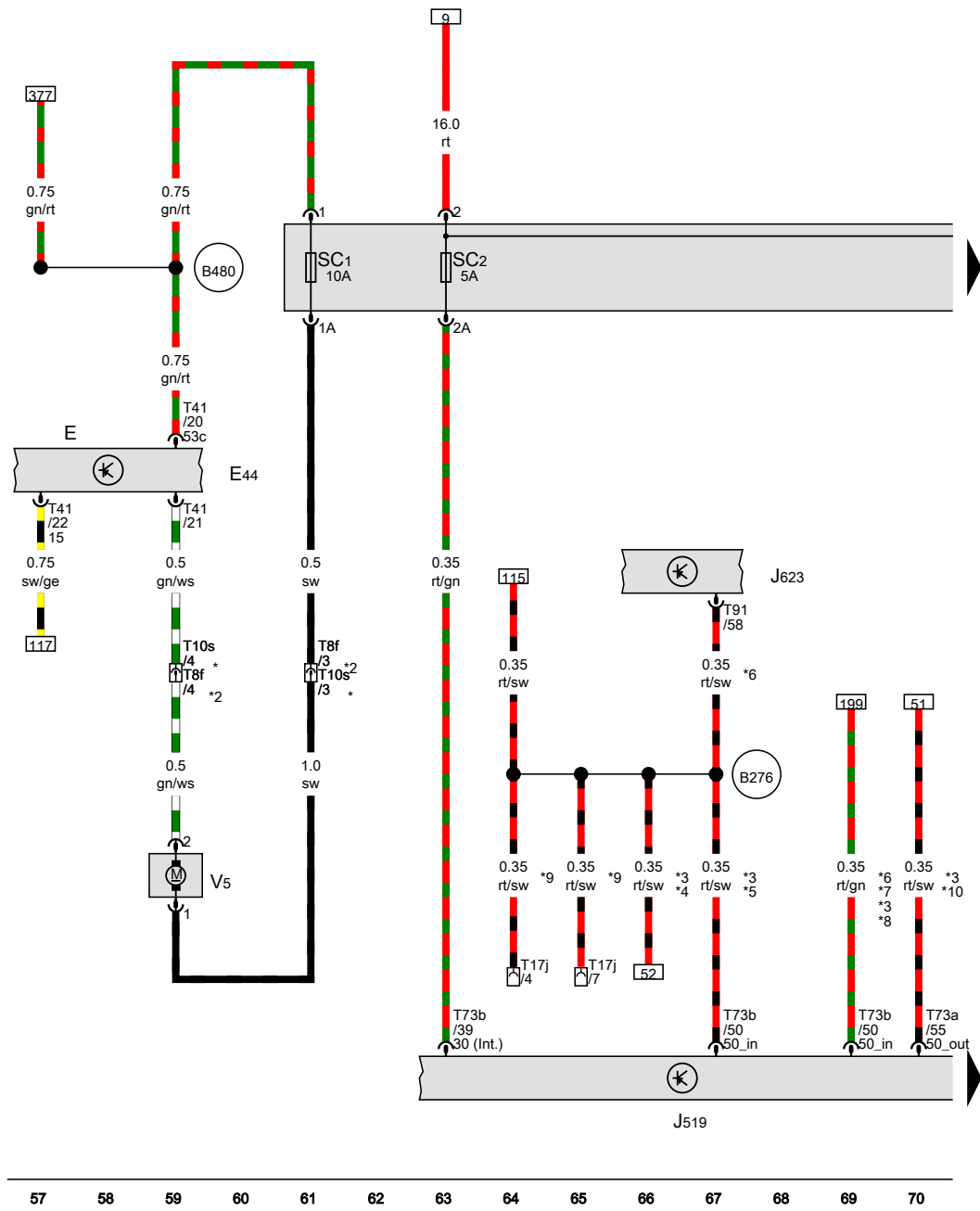
- E Windscreen wiper switch
- E44 Washer pump switch (automatic wash/wipe and headlight washer system)
- J519 Onboard supply control unit
- J623 Engine/motor control unit
- SC1 Fuse 1 on fuse holder C
- SC2 Fuse 2 on fuse holder C
- T8f 8-pin connector, black
- T10s 10-pin connector, black
- T17j 17-pin connector, green, near driver side A-pillar
- T41 41-pin connector, grey
- T73a 73-pin connector, black
- T73b 73-pin connector, colourless
- T91 91-pin connector, black
- V5 Washer pump

 B276 Positive connection (50), in main wiring harness

 B480 Connection 16, in main wiring harness

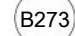
- * For models with provision for side member lighting
- *2 For models with no provision for side member lighting
- *3 For models with 2.0l engine
- *4 For models with manual gearbox
- *5 For models with no start/stop system
- *6 For models with 3.0l engine
- *7 For models with diesel engine
- *8 For models with start/stop system
- *9 For models with electric interface for external use
- *10 For models with automatic gearbox

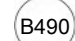
- ws = white
- sw = black
- ro = red
- rt = red
- br = brown
- gn = green
- bl = blue
- gr = grey
- li = purple
- vi = purple
- ge = yellow
- or = orange
- rs = pink

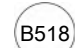


Ignition/starter switch, Fuse 3 on fuse holder C, Fuse 4 on fuse holder C, Fuse 5 on fuse holder C

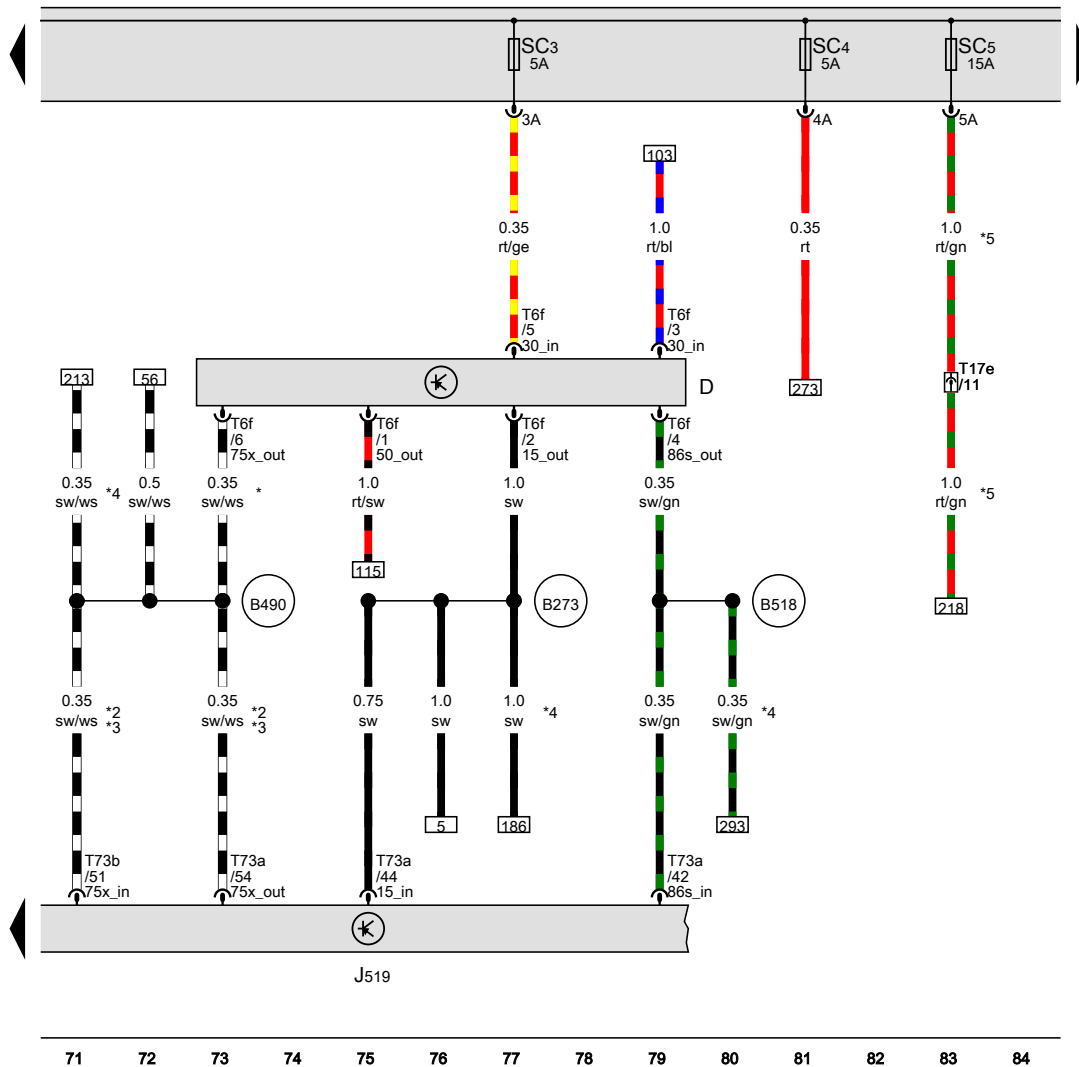
- D Ignition/starter switch
- J519 Onboard supply control unit
- SC3 Fuse 3 on fuse holder C
- SC4 Fuse 4 on fuse holder C
- SC5 Fuse 5 on fuse holder C
- T6f 6-pin connector, black
- T17e 17-pin connector, red, near handbrake lever
- T73a 73-pin connector, black
- T73b 73-pin connector, colourless

 B273 Positive connection (15), in main wiring harness

 B490 Connection 26, in main wiring harness

 B518 Connection (86s), in main wiring harness

- * For models with no start/stop system
- *2 According to equipment
- *3 see applicable current flow diagram for engine
- *4 For models with electric interface for external use
- *5 For models with automatic gearbox



- ws = white
- sw = black
- ro = red
- rt = red
- br = brown
- gn = green
- bl = blue
- gr = grey
- li = purple
- vi = purple
- ge = yellow
- or = orange
- rs = pink

[S60-046070219]

Fuse 6 on fuse holder C, Fuse 7 on fuse holder C, Fuse 8 on fuse holder C, Fuse 9 on fuse holder C, Fuse 10 on fuse holder C, Fuse 11 on fuse holder C

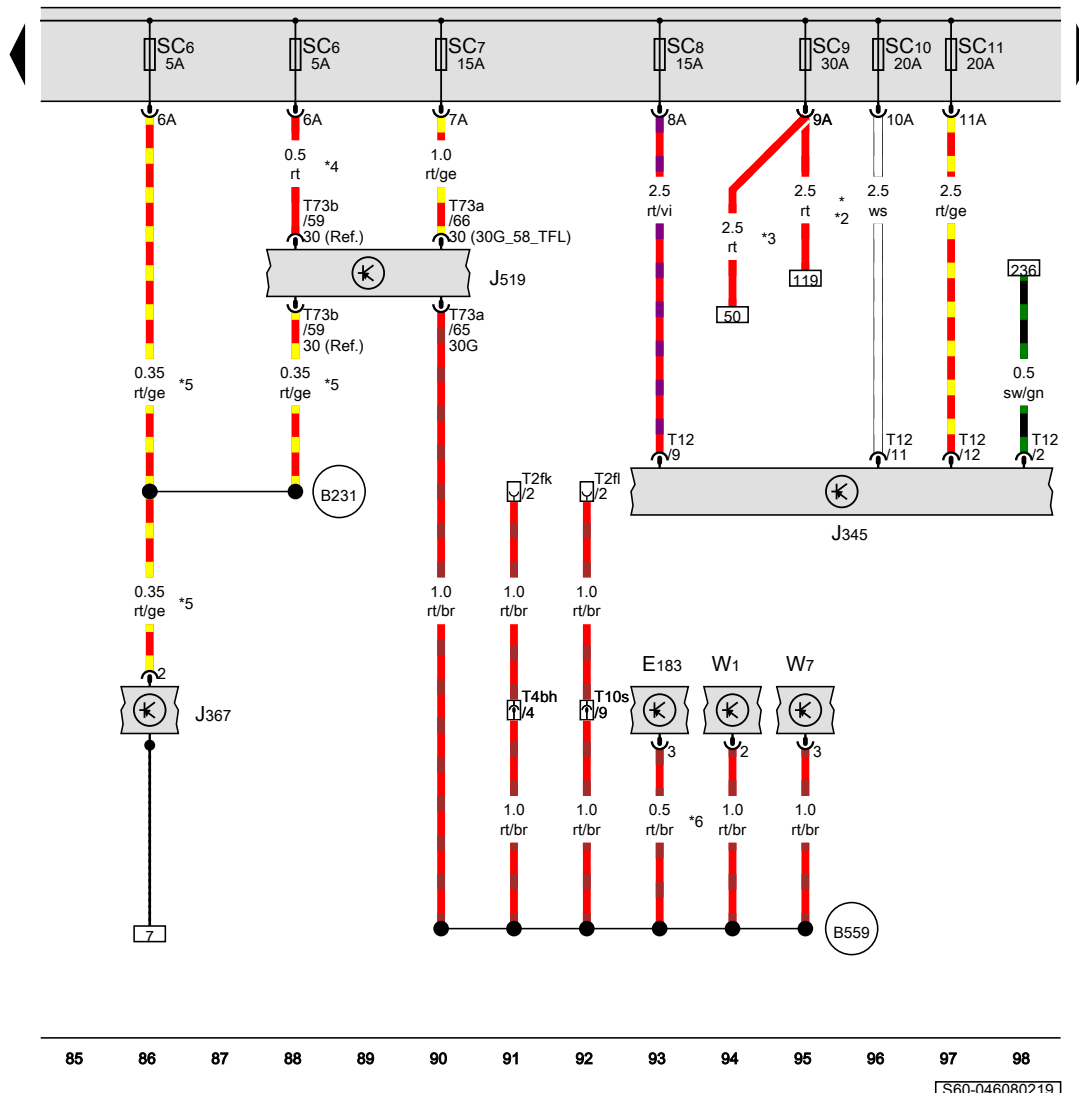
- E183 Interior monitoring switch
- J345 Trailer detector control unit
- J367 Battery monitor control unit
- J519 Onboard supply control unit
- SC6 Fuse 6 on fuse holder C
- SC7 Fuse 7 on fuse holder C
- SC8 Fuse 8 on fuse holder C
- SC9 Fuse 9 on fuse holder C
- SC10 Fuse 10 on fuse holder C
- SC11 Fuse 11 on fuse holder C
- T2fk 2-pin connector, black, bottom, left, near entry light
- T2fl 2-pin connector, black, bottom, right, near entry light
- T4bh 4-pin connector, black, in rear left of engine compartment
- T10s 10-pin connector, black, in rear right of engine compartment
- T12 12-pin connector, red
- T73a 73-pin connector, black
- T73b 73-pin connector, colourless
- W1 Front interior light
- W7 Centre interior light

B231 Positive connection 5 (30a), in interior wiring harness

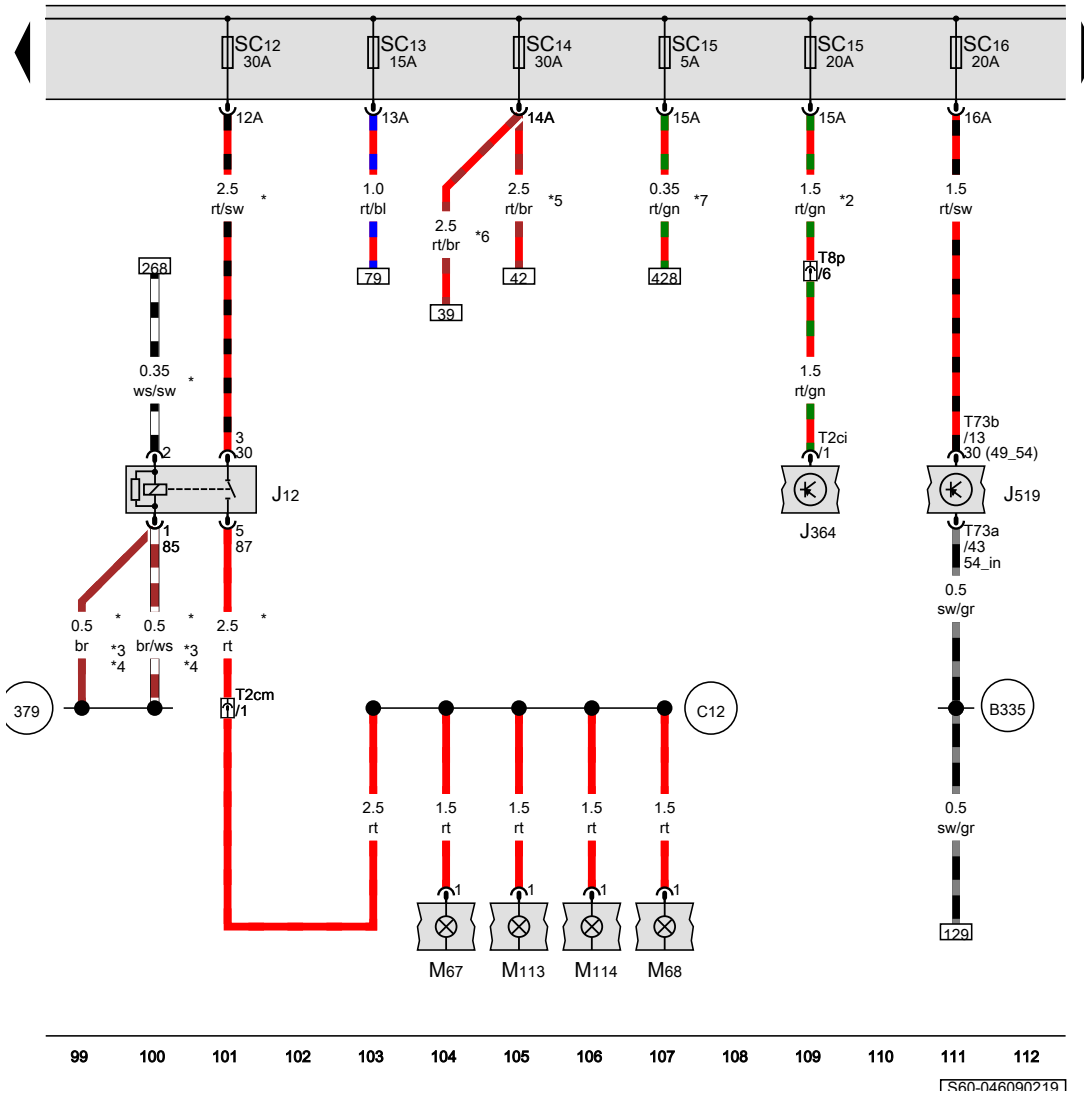
B559 Positive connection 1 (30g), in main wiring harness

- * According to equipment
- *2 see applicable current flow diagram for engine
- *3 For models with 2.0l engine
- *4 For models with no start/stop system
- *5 For models with start/stop system
- *6 For models with anti-theft alarm system

- ws = white
- sw = black
- ro = red
- rt = red
- br = brown
- gn = green
- bl = blue
- gr = grey
- li = purple
- vi = purple
- ge = yellow
- or = orange
- rs = pink



Fuse 12 on fuse holder C, Fuse 13 on fuse holder C, Fuse 14 on fuse holder C, Fuse 15 on fuse holder C, Fuse 16 on fuse holder C



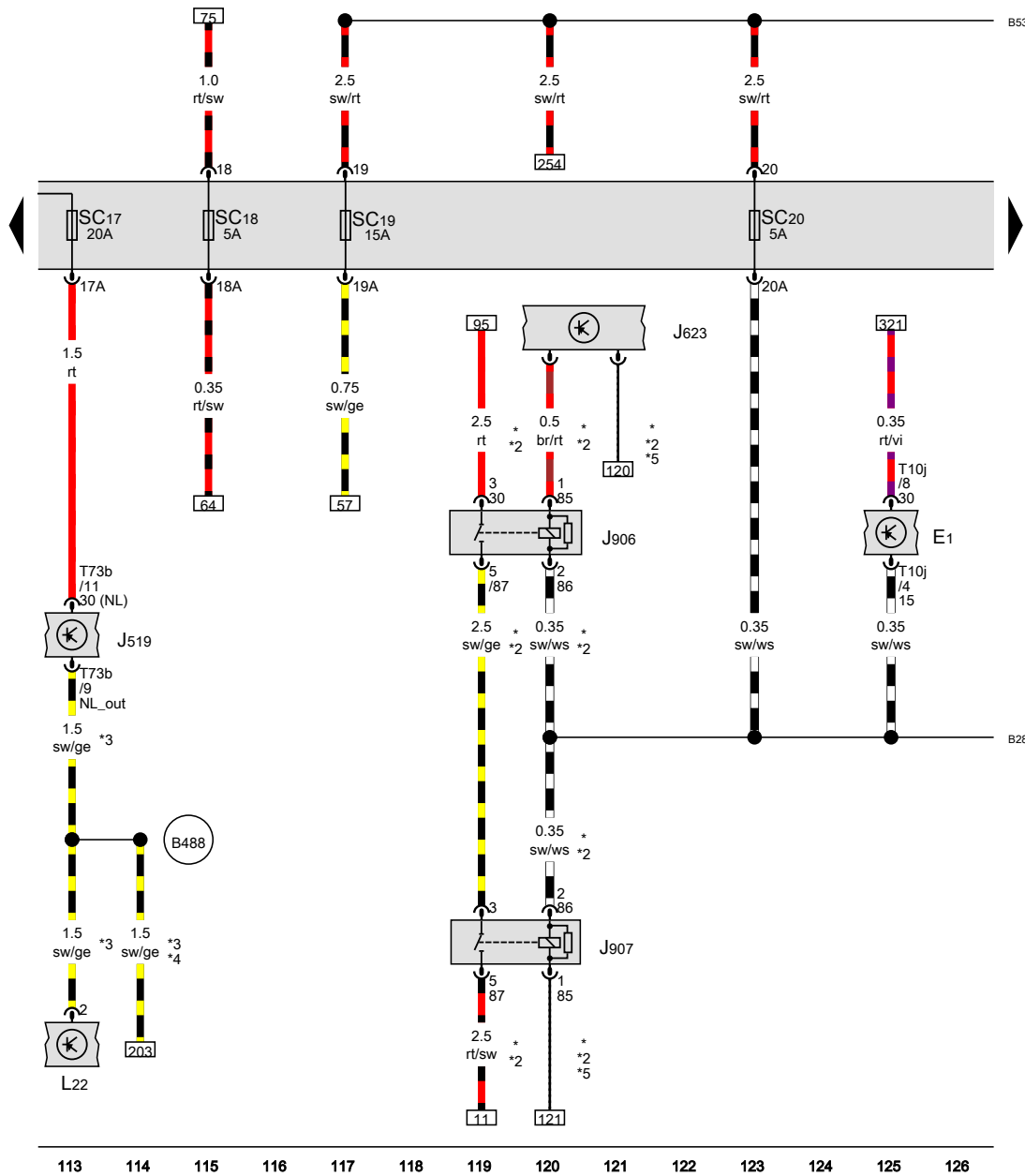
- J12 Headlight main beam relay
- J364 Auxiliary heater control unit
- J519 Onboard supply control unit
- M67 Left additional main beam bulb
- M68 Right additional main beam bulb
- M113 Centre left additional main beam bulb
- M114 Centre right additional main beam bulb
- SC12 Fuse 12 on fuse holder C
- SC13 Fuse 13 on fuse holder C
- SC14 Fuse 14 on fuse holder C
- SC15 Fuse 15 on fuse holder C
- SC16 Fuse 16 on fuse holder C
- T2ci 2-pin connector, black
- T2cm 2-pin connector, black
- T8p 8-pin connector, black, near battery
- T73a 73-pin connector, black
- T73b 73-pin connector, colourless

- 379 Earth connection 14, in main wiring harness
- B335 Connection 1 (54), in main wiring harness
- C12 Positive connection 1, in headlight wiring harness

- * For models with auxiliary lights
- *2 For models with auxiliary coolant heater (supplementary heater)
- *3 Wiring colour depends on equipment
- *4 see applicable current flow diagram for earthing concept
- *5 For models with 3.0l engine
- *6 For models with 2.0l engine
- *7 For models with petrol engine

- ws = white
- sw = black
- ro = red
- rt = red
- br = brown
- gn = green
- bl = blue
- gr = grey
- li = purple
- vi = purple
- ge = yellow
- or = orange
- rs = pink

Starter relay 1, Starter relay 2, Fuse 17 on fuse holder C, Fuse 18 on fuse holder C, Fuse 19 on fuse holder C, Fuse 20 on fuse holder C



- E1 Light switch
- J519 Onboard supply control unit
- J623 Engine/motor control unit
- J906 Starter relay 1
- J907 Starter relay 2
- L22 Left fog light bulb
- SC17 Fuse 17 on fuse holder C
- SC18 Fuse 18 on fuse holder C
- SC19 Fuse 19 on fuse holder C
- SC20 Fuse 20 on fuse holder C
- T10j 10-pin connector, black
- T73b 73-pin connector, colourless

(B282) Positive connection 6 (15a) in main wiring harness

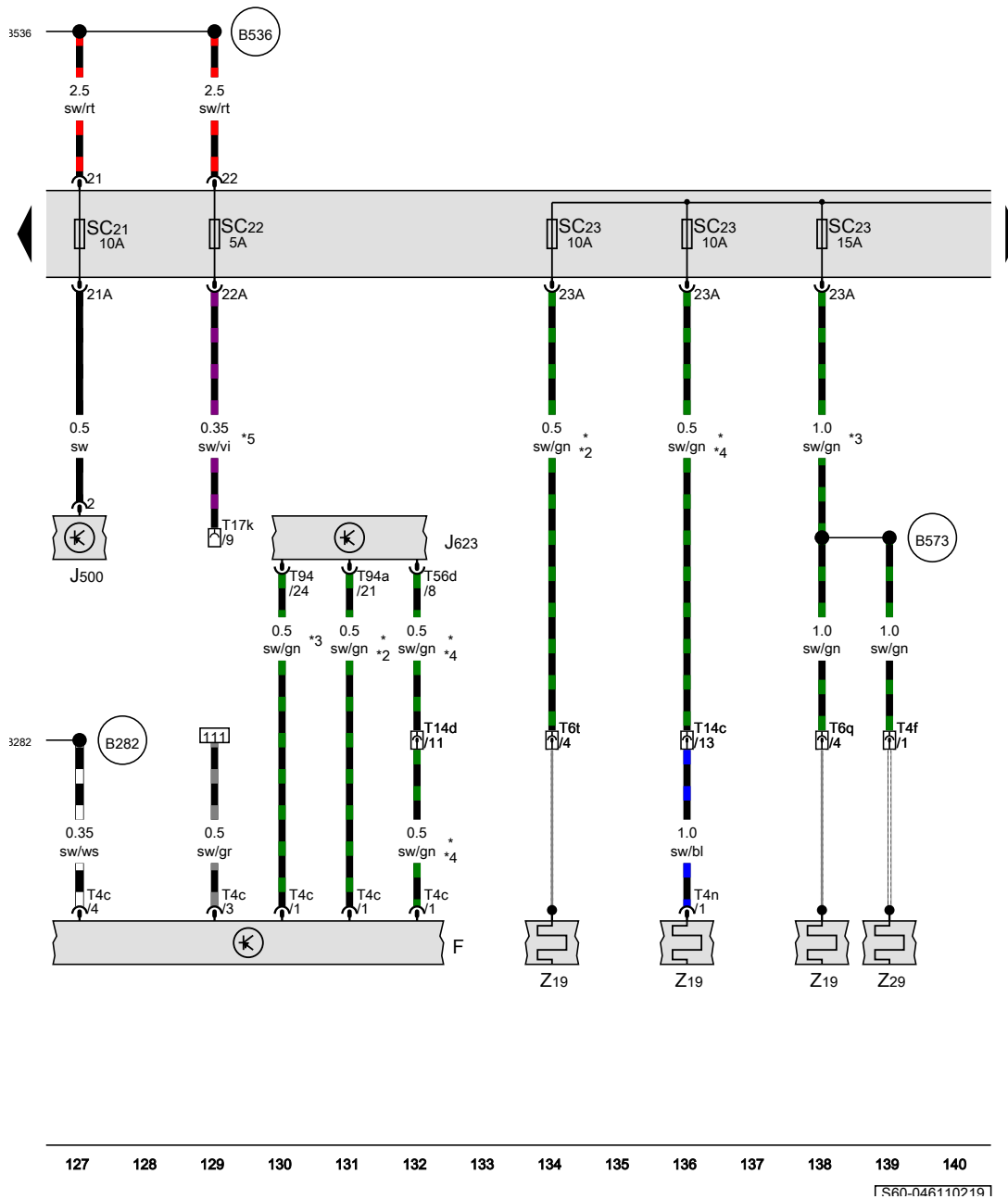
(B488) Connection 24, in main wiring harness

(B536) Connection 27, in main wiring harness

- * According to equipment
- *2 see applicable current flow diagram for engine
- *3 For models with fog lights
- *4 For models with electric interface for external use
- *5 Wiring colour depends on equipment

- ws = white
- sw = black
- ro = red
- rt = red
- br = brown
- gn = green
- bl = blue
- gr = grey
- li = purple
- vi = purple
- ge = yellow
- or = orange
- rs = pink

Fuse 21 on fuse holder C, Fuse 22 on fuse holder C, Fuse 23 on fuse holder C



- F Brake light switch
- J500 Power steering control unit
- J623 Engine/motor control unit
- SC21 Fuse 21 on fuse holder C
- SC22 Fuse 22 on fuse holder C
- SC23 Fuse 23 on fuse holder C
- T4c 4-pin connector, black
- T4f 4-pin connector, brown, in rear right of engine compartment
- T4n 4-pin connector, black
- T6q 6-pin connector, black, front right in engine compartment
- T6t 6-pin connector, black, front right in engine compartment
- T14c 14-pin connector, grey, near battery
- T14d 14-pin connector, black, near battery
- T17k 17-pin connector, blue, near driver side A-pillar
- T56d 56-pin connector, black
- T94 94-pin connector, black
- T94a 94-pin connector, black
- Z19 Lambda probe heater
- Z29 Lambda probe 1 heater after catalytic converter

- B282 Positive connection 6 (15a) in main wiring harness
- B536 Connection 27, in main wiring harness
- B573 Connection 40, in main wiring harness
- * For models with diesel engine
- *2 For models with 2.0l engine
- *3 For models with petrol engine
- *4 For models with 3.0l engine
- *5 For models with electric interface for external use

- ws = white
- sw = black
- ro = red
- rt = red
- br = brown
- gn = green
- bl = blue
- gr = grey
- li = purple
- vi = purple
- ge = yellow
- or = orange
- rs = pink

127 128 129 130 131 132 133 134 135 136 137 138 139 140

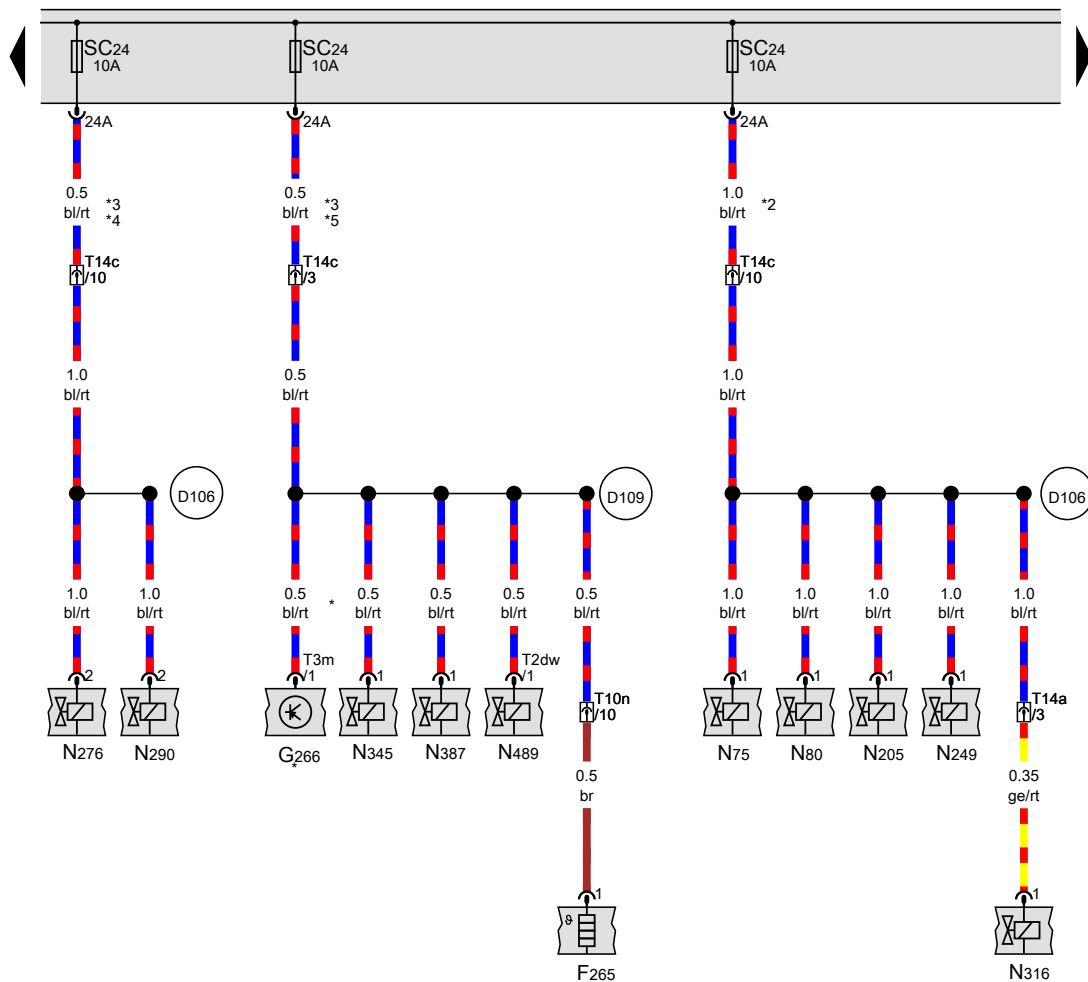
TS60-046110219

Fuse 24 on fuse holder C

- F265 Map-controlled engine cooling system thermostat
- G266 Oil level and oil temperature sender
- N75 Charge pressure control solenoid valve
- N80 Activated charcoal filter solenoid valve 1
- N205 Camshaft control valve 1
- N249 Turbocharger air recirculation valve
- N276 Fuel pressure regulating valve
- N290 Fuel metering valve
- N316 Intake manifold flap valve
- N345 Exhaust gas recirculation cooler changeover valve
- N387 Exhaust gas recirculation cooling bypass valve 2
- N489 Coolant valve for cylinder head
- SC24 Fuse 24 on fuse holder C
- T2dw 2-pin connector, grey
- T3m 3-pin connector, black
- T10n 10-pin connector, black
- T14a 14-pin connector, black, front left in engine compartment
- T14c 14-pin connector, grey, near battery

- D106 Connection 4 in engine compartment wiring harness
- D109 Connection 7 in engine compartment wiring harness

- * According to equipment
- *2 For models with petrol engine
- *3 For models with diesel engine
- *4 For models with 2.0l engine
- *5 For models with 3.0l engine

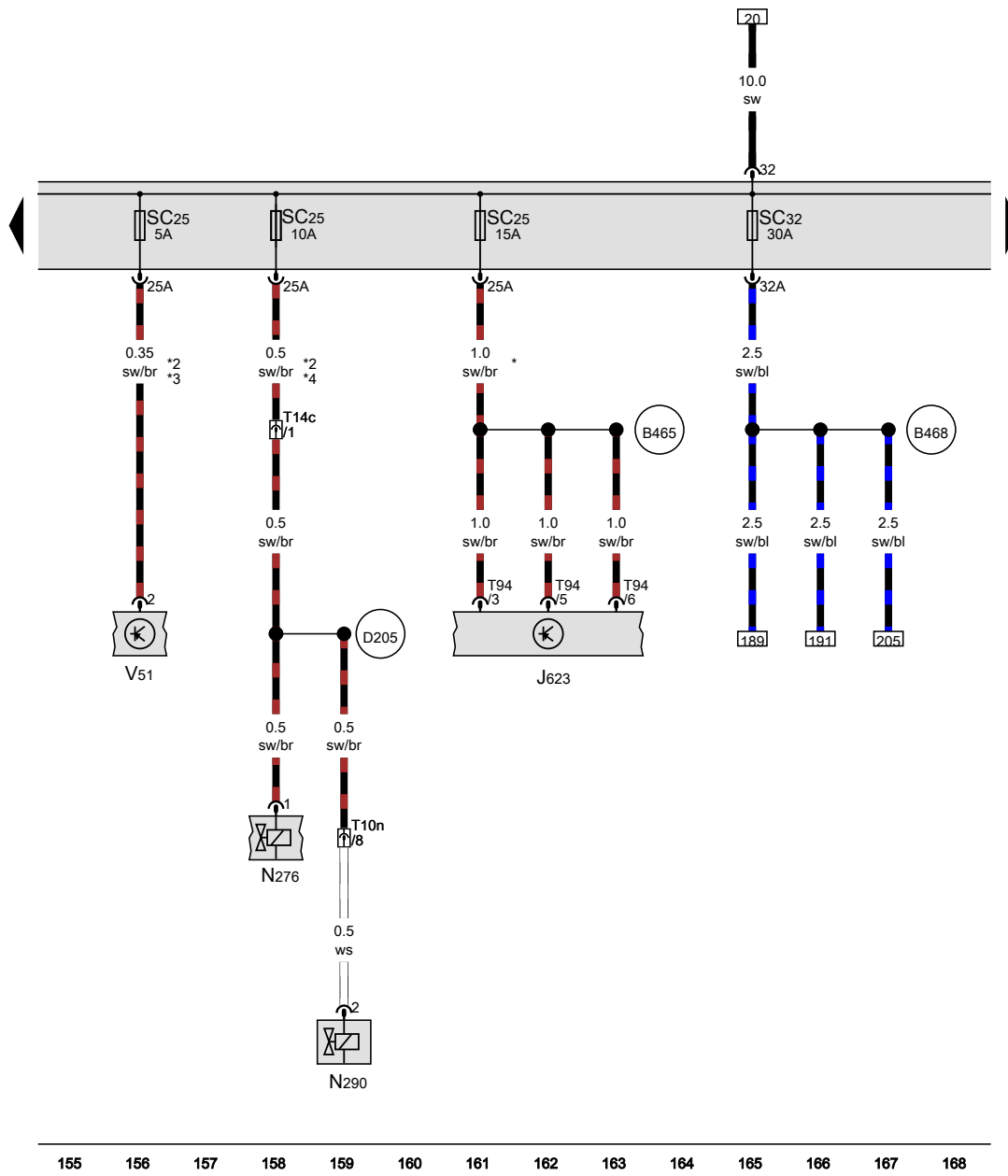


- ws = white
- sw = black
- ro = red
- rt = red
- br = brown
- gn = green
- bl = blue
- gr = grey
- li = purple
- vi = purple
- ge = yellow
- or = orange
- rs = pink


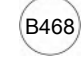
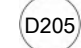
141 142 143 144 145 146 147 148 149 150 151 152 153 154

[S60-046120219]

Fuel metering valve, Fuse 25 on fuse holder C, Fuse 32 on fuse holder C



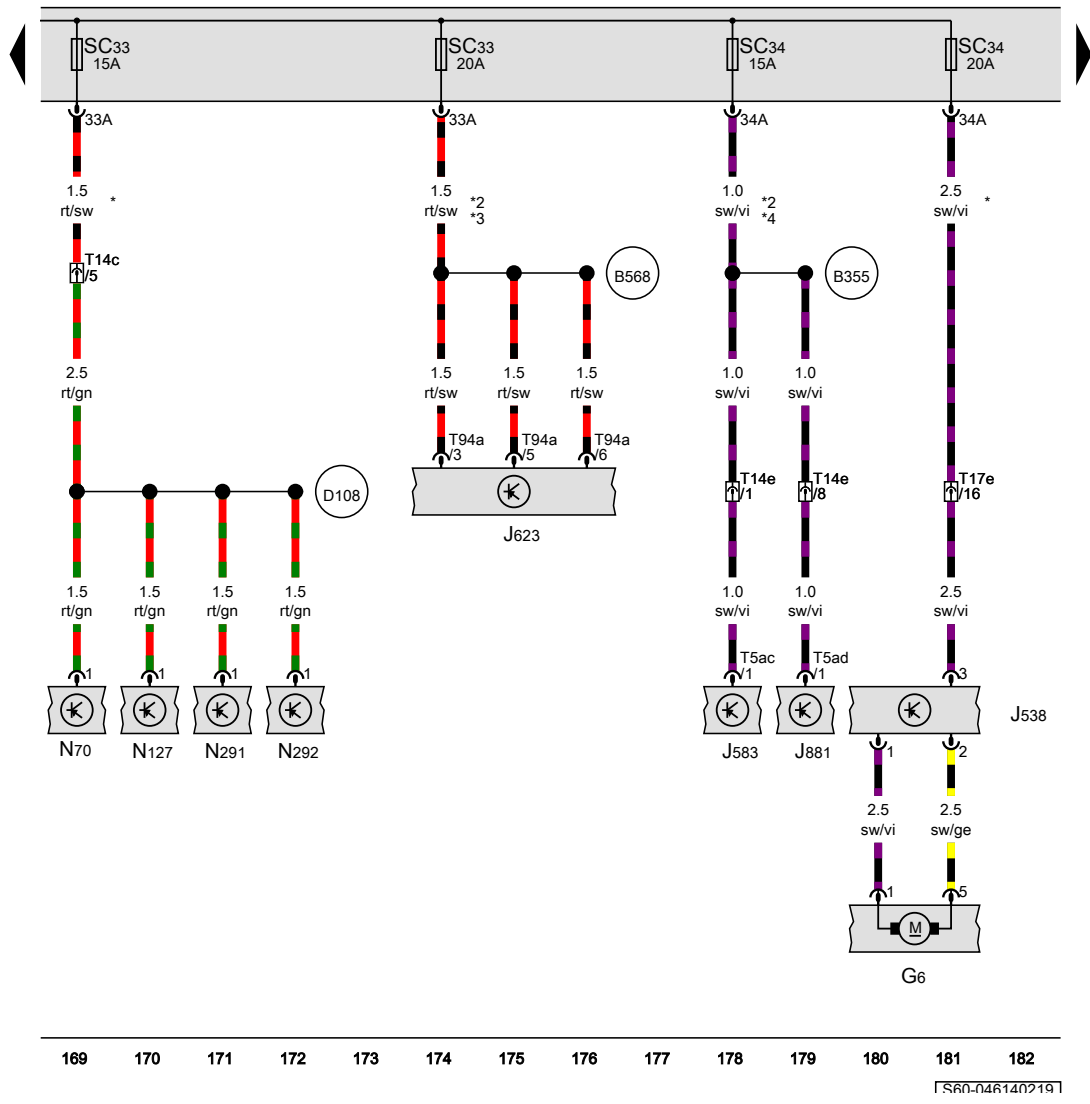
- J623 Engine/motor control unit
- N276 Fuel pressure regulating valve
- N290 Fuel metering valve
- SC25 Fuse 25 on fuse holder C
- SC32 Fuse 32 on fuse holder C
- T10n 10-pin connector, black
- T14c 14-pin connector, grey, near battery
- T94 94-pin connector, black
- V51 Continued coolant circulation pump

-  B465 Connection 1, in main wiring harness
-  B468 Connection 4, in main wiring harness
-  D205 Connection 3 (87a) in engine prewiring harness

- * For models with petrol engine
- *2 For models with diesel engine
- *3 For models with 2.0l engine
- *4 For models with 3.0l engine

- ws = white
- sw = black
- ro = red
- rt = red
- br = brown
- gn = green
- bl = blue
- gr = grey
- li = purple
- vi = purple
- ge = yellow
- or = orange
- rs = pink

Fuse 33 on fuse holder C, Fuse 34 on fuse holder C



- G6 Fuel system pressurisation pump
- J538 Fuel pump control unit, on fuel tank
- J583 Control unit for NOx sender
- J623 Engine/motor control unit
- J881 Control unit for NOx sender 2
- N70 Ignition coil 1 with output stage
- N127 Ignition coil 2 with output stage
- N291 Ignition coil 3 with output stage
- N292 Ignition coil 4 with output stage
- SC33 Fuse 33 on fuse holder C
- SC34 Fuse 34 on fuse holder C
- T5ac 5-pin connector, black
- T5ad 5-pin connector, black
- T14c 14-pin connector, grey, near battery
- T14e 14-pin connector, grey, near right headlight
- T17e 17-pin connector, red, near handbrake lever
- T94a 94-pin connector, black

- (B355) Positive connection 6 (87a) in main wiring harness
- (B568) Connection 35, in main wiring harness
- (D108) Connection 6 in engine compartment wiring harness

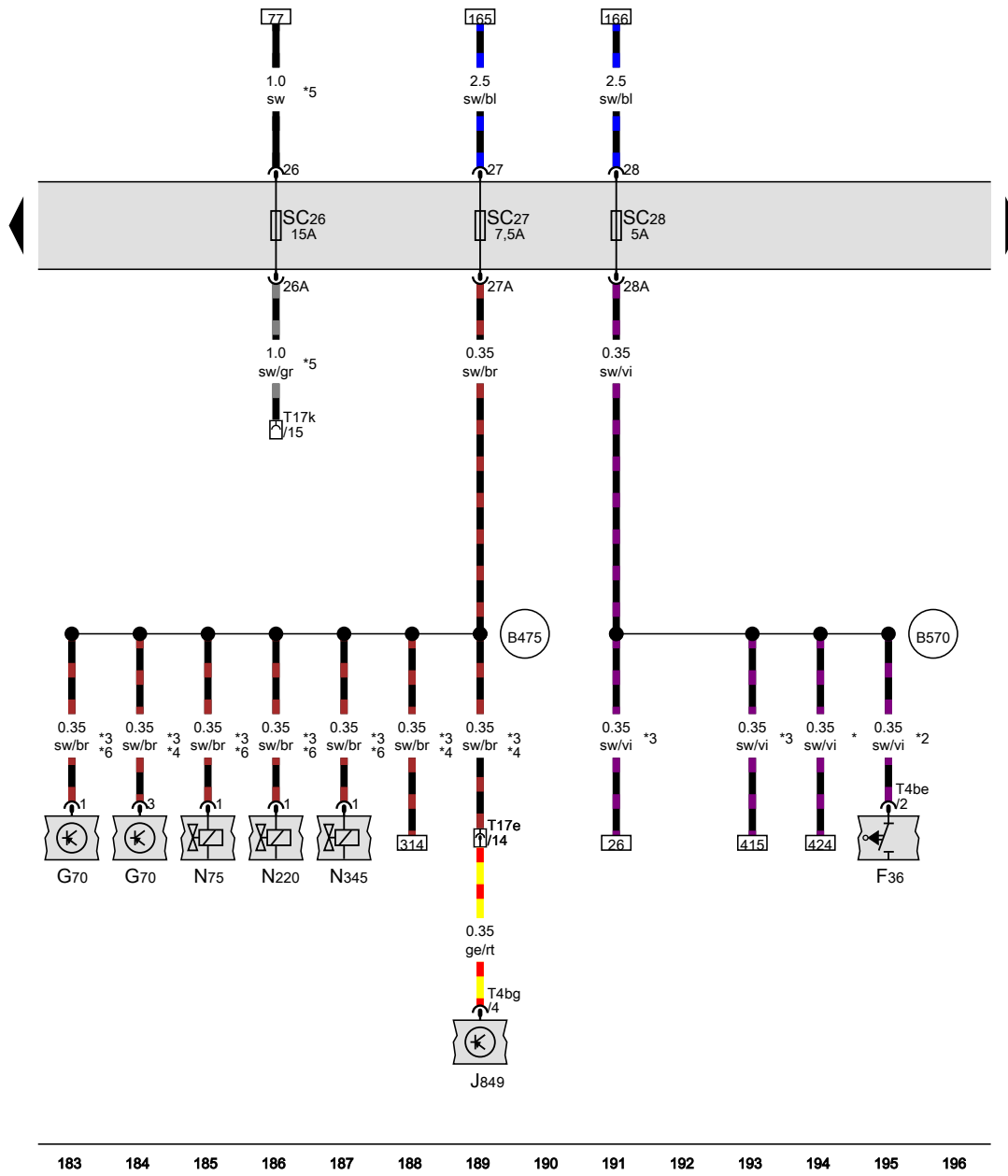
- * For models with petrol engine
- *2 For models with diesel engine
- *3 For models with 2.0l engine
- *4 For models with 3.0l engine

- ws = white
- sw = black
- ro = red
- rt = red
- br = brown
- gn = green
- bl = blue
- gr = grey
- li = purple
- vi = purple
- ge = yellow
- or = orange
- rs = pink

169 170 171 172 173 174 175 176 177 178 179 180 181 182

1560-0461402191

Fuse 26 on fuse holder C, Fuse 27 on fuse holder C, Fuse 28 on fuse holder C



- F36 Clutch pedal switch
- G70 Air mass meter
- J849 Control unit for sensor electronics
- N75 Charge pressure control solenoid valve
- N220 Exhaust flap valve
- N345 Exhaust gas recirculation cooler changeover valve
- SC26 Fuse 26 on fuse holder C
- SC27 Fuse 27 on fuse holder C
- SC28 Fuse 28 on fuse holder C
- T4be 4-pin connector, black
- T4bg 4-pin connector, black
- T17e 17-pin connector, red, near handbrake lever
- T17k 17-pin connector, blue, near driver side A-pillar

B475 Connection 11, in main wiring harness

B570 Connection 37, in main wiring harness

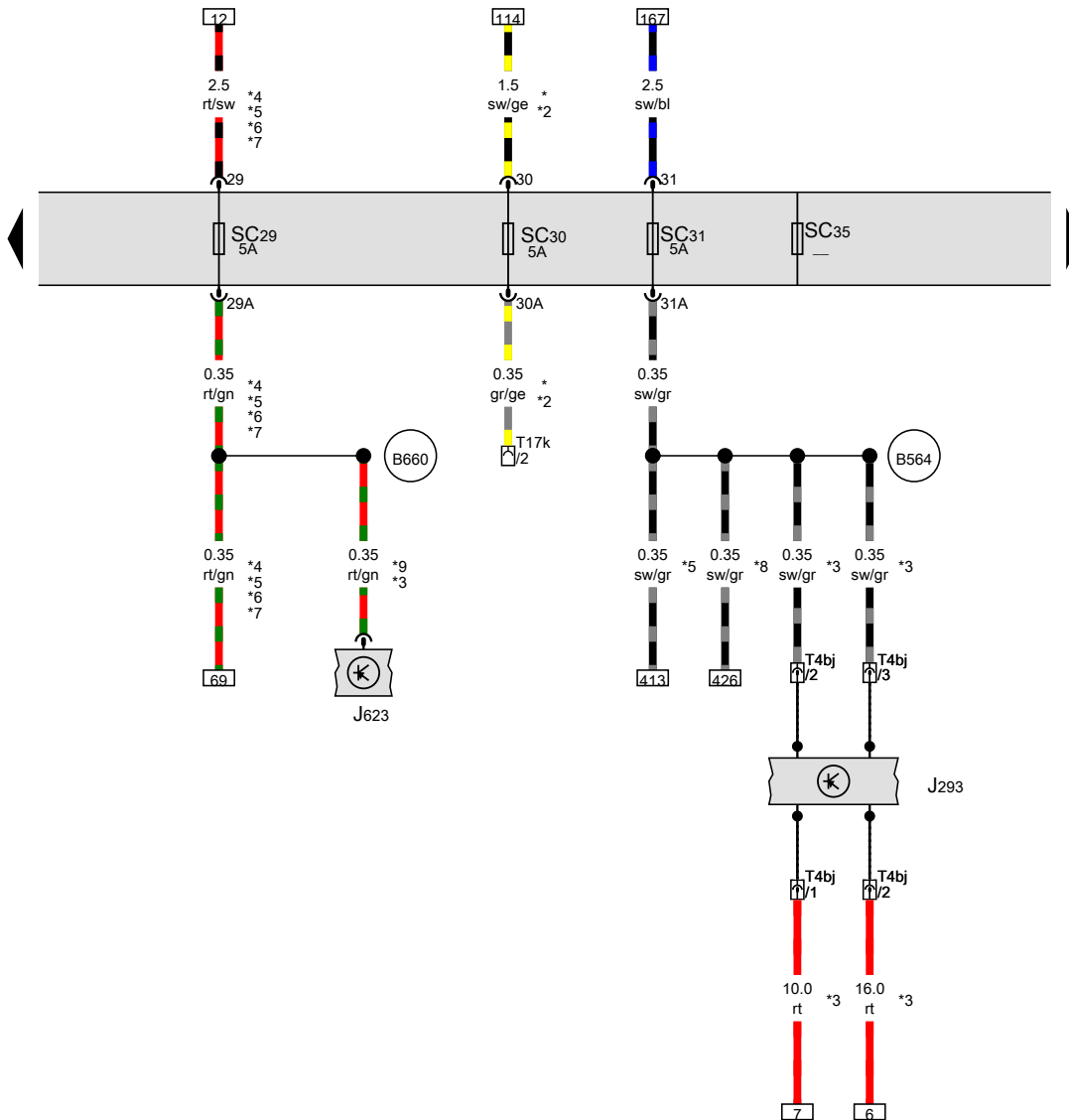
- * For models with petrol engine
- *2 For models with manual gearbox
- *3 For models with diesel engine
- *4 For models with 3.0l engine
- *5 For models with electric interface for external use
- *6 For models with 2.0l engine

- ws = white
- sw = black
- ro = red
- rt = red
- br = brown
- gn = green
- bl = blue
- gr = grey
- li = purple
- vi = purple
- ge = yellow
- or = orange
- rs = pink

183 184 185 186 187 188 189 190 191 192 193 194 195 196

[560-046150219]

Fuse 29 on fuse holder C, Fuse 30 on fuse holder C, Fuse 31 on fuse holder C, Fuse 35 on fuse holder C



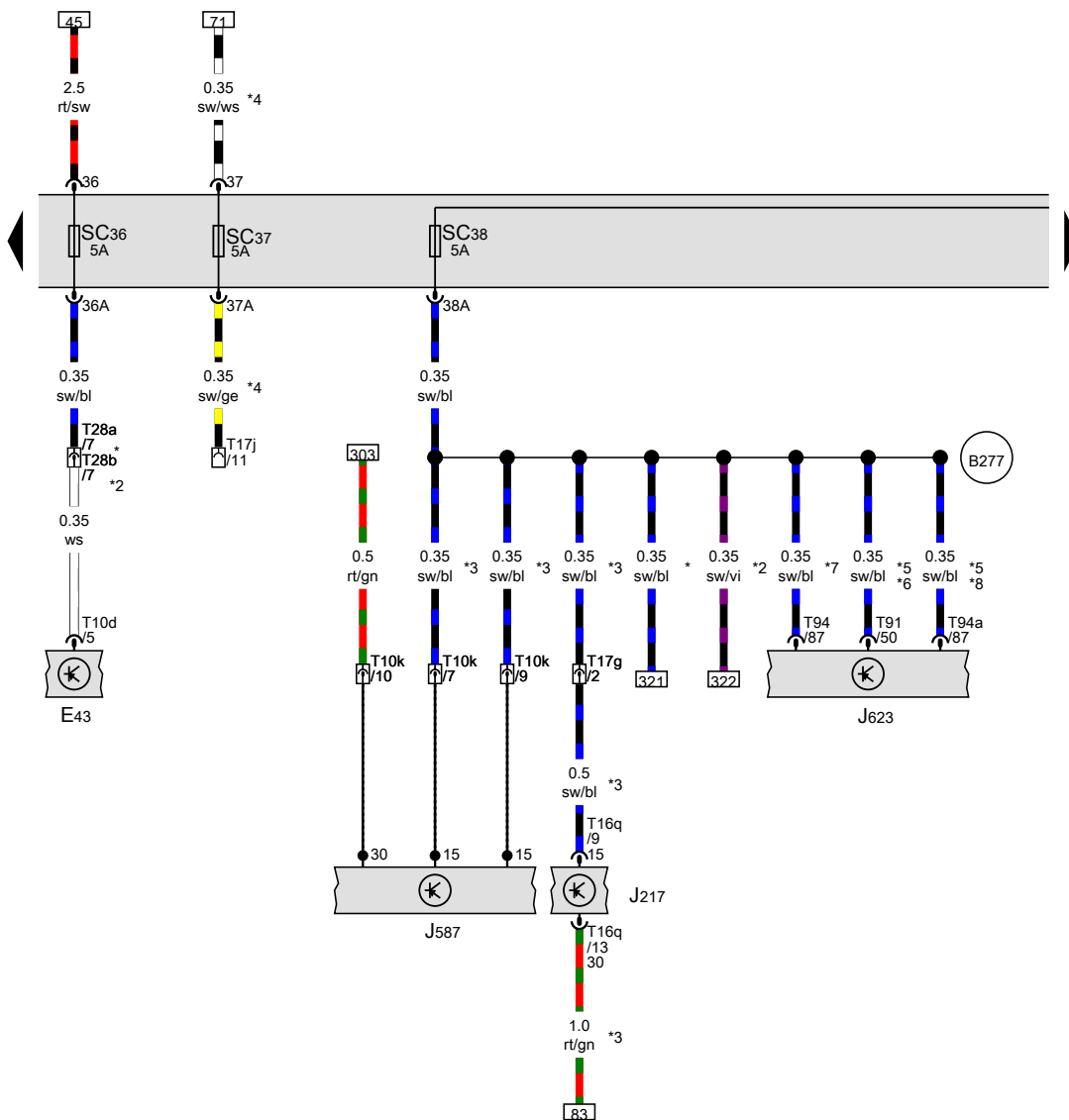
- J293 Radiator fan control unit
- J623 Engine/motor control unit
- SC29 Fuse 29 on fuse holder C
- SC30 Fuse 30 on fuse holder C
- SC31 Fuse 31 on fuse holder C
- SC35 Fuse 35 on fuse holder C
- T4bj 4-pin connector, black, on radiator cowl
- T17k 17-pin connector, blue, near driver side A-pillar

- B564 Connection 31, in main wiring harness
- B660 Connection (diagnosis terminal 50), in main wiring harness

- * For models with fog lights
- *2 For models with electric interface for external use
- *3 see applicable current flow diagram for engine
- *4 For models with 3.0l engine
- *5 For models with diesel engine
- *6 For models with 2.0l engine
- *7 For models with start/stop system
- *8 For models with petrol engine
- *9 According to equipment

- ws = white
- sw = black
- ro = red
- rt = red
- br = brown
- gn = green
- bl = blue
- gr = grey
- li = purple
- vi = purple
- ge = yellow
- or = orange
- rs = pink

Fuse 36 on fuse holder C, Fuse 37 on fuse holder C, Fuse 38 on fuse holder C



- E43 Mirror adjustment switch, in driver door
- J217 Automatic gearbox control unit
- J587 Selector lever sensors control unit
- J623 Engine/motor control unit
- SC36 Fuse 36 on fuse holder C
- SC37 Fuse 37 on fuse holder C
- SC38 Fuse 38 on fuse holder C
- T10d 10-pin connector, black
- T10k 10-pin connector, black
- T16q 16-pin connector, black
- T17g 17-pin connector, black
- T17j 17-pin connector, green, near driver side A-pillar
- T28a 28-pin connector, black, on left A-pillar
- T28b 28-pin connector, black, on right A-pillar
- T91 91-pin connector, black
- T94 94-pin connector, black
- T94a 94-pin connector, black

B277 Positive connection 1 (15a) in main wiring harness

- * For left-hand drive models
- *2 For right-hand drive models
- *3 For models with automatic gearbox
- *4 For models with electric interface for external use
- *5 For models with diesel engine
- *6 For models with 3.0l engine
- *7 For models with petrol engine
- *8 For models with 2.0l engine

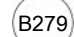
- ws = white
- sw = black
- ro = red
- rt = red
- br = brown
- gn = green
- bl = blue
- gr = grey
- li = purple
- vi = purple
- ge = yellow
- or = orange
- rs = pink

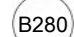
211 212 213 214 215 216 217 218 219 220 221 222 223 224

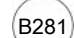
[S60-046170219]

Fuse 39 on fuse holder C, Fuse 40 on fuse holder C, Fuse 41 on fuse holder C

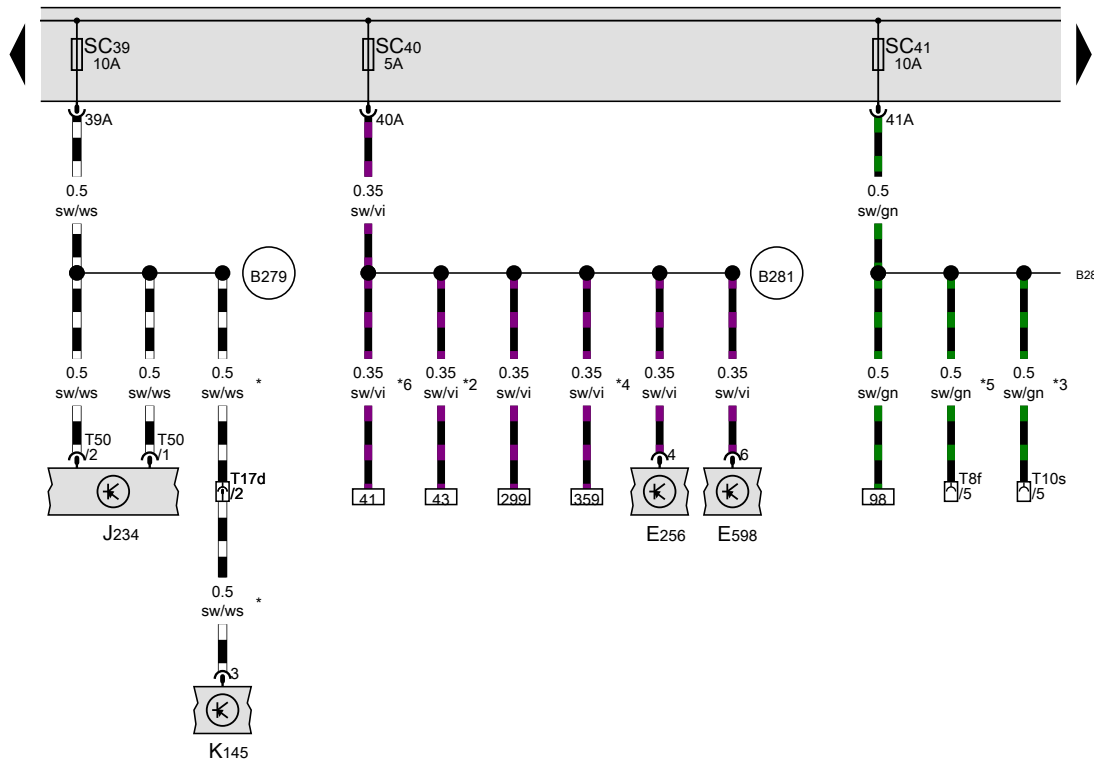
- E256 Button for TCS and electronic stabilisation program
- E598 Driving program button
- J234 Airbag control unit, under centre console
- K145 Warning lamp for airbag deactivated on front passenger side
- SC39 Fuse 39 on fuse holder C
- SC40 Fuse 40 on fuse holder C
- SC41 Fuse 41 on fuse holder C
- T8f 8-pin connector, black
- T10s 10-pin connector, black
- T17d 17-pin connector, green, behind dash panel
- T50 50-pin connector, yellow

 B279 Positive connection 3 (15a) in main wiring harness

 B280 Positive connection 4 (15a) in main wiring harness

 B281 Positive connection 5 (15a) in main wiring harness

- * For models with key-operated switch to deactivate front passenger airbag/side airbag/belt buckle sensor
- *2 For models with no air conditioning system
- *3 For models with provision for side member lighting
- *4 According to equipment
- *5 For models with no provision for side member lighting
- *6 For models with 3.0l engine



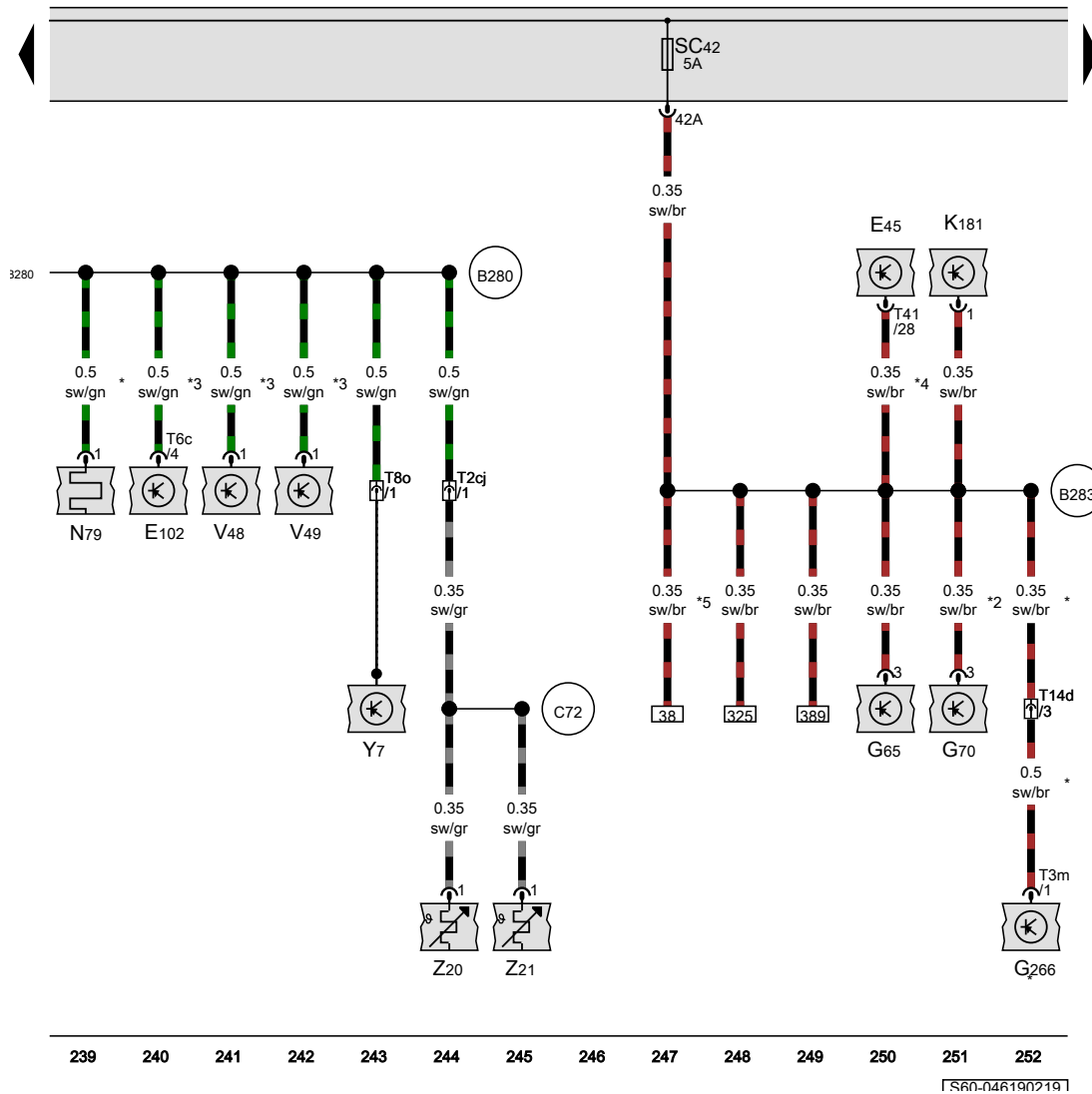
- ws = white
- sw = black
- ro = red
- rt = red
- br = brown
- gn = green
- bl = blue
- gr = grey
- li = purple
- vi = purple
- ge = yellow
- or = orange
- rs = pink

225 226 227 228 229 230 231 232 233 234 235 236 237 238

[S60-046180219]

Fuse 42 on fuse holder C

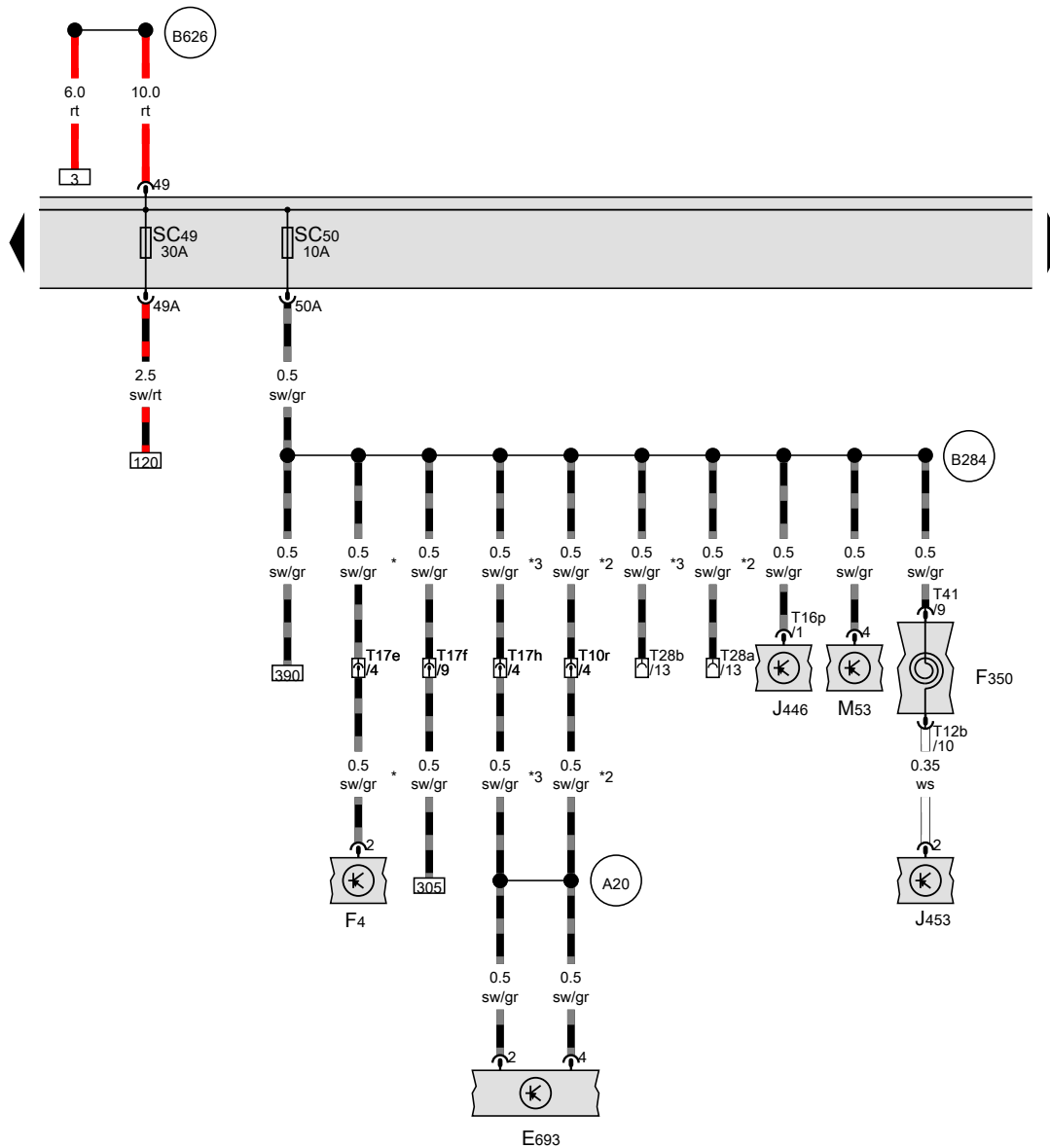
- E45 Cruise control system switch
- E102 Headlight range control regulator
- G65 High-pressure sender
- G70 Air mass meter
- G266 Oil level and oil temperature sender
- K181 Normal operation warning lamp in transfer box operating unit
- N79 Heater element for crankcase breather
- SC42 Fuse 42 on fuse holder C
- T2cj 2-pin connector, black, near window wiper motor
- T3m 3-pin connector, black
- T6c 6-pin connector, black
- T8o 8-pin connector, black, on interior mirror
- T14d 14-pin connector, black, near battery
- T41 41-pin connector, grey
- V48 Left headlight range control motor
- V49 Right headlight range control motor
- Y7 Automatic anti-dazzle interior mirror, on interior mirror
- Z20 Left washer jet heater element
- Z21 Right washer jet heater element



- (B280) Positive connection 4 (15a) in main wiring harness
- (B283) Positive connection 7 (15a) in main wiring harness
- (C72) Positive connection in heated washer jet wiring harness

- * According to equipment
- *2 For models with petrol engine
- *3 For models with headlight range control
- *4 For models with cruise control system (CCS)
- *5 For models with 2.0l engine

- ws = white
- sw = black
- ro = red
- rt = red
- br = brown
- gn = green
- bl = blue
- gr = grey
- li = purple
- vi = purple
- ge = yellow
- or = orange
- rs = pink



Fuse 49 on fuse holder C, Fuse 50 on fuse holder C

- E693 Start/Stop operation button
- F4 Reversing light switch
- F350 Coil connector
- J446 Parking aid control unit
- M53 Multifunction steering wheel control unit
- J453 Load area illumination bulb
- SC49 Fuse 49 on fuse holder C
- SC50 Fuse 50 on fuse holder C
- T10r 10-pin connector, blue, behind dash panel
- T12b 12-pin connector, yellow
- T16p 16-pin connector, brown
- T17e 17-pin connector, red, near handbrake lever
- T17f 17-pin connector, blue, near handbrake lever
- T17h 17-pin connector, blue, behind dash panel
- T28a 28-pin connector, black, on left A-pillar
- T28b 28-pin connector, black, on right A-pillar
- T41 41-pin connector, grey

- A20 Positive connection (15a), in dash panel wiring harness
- B284 Positive connection 8 (15a) in main wiring harness
- B626 Positive connection 2 (15), in main wiring harness

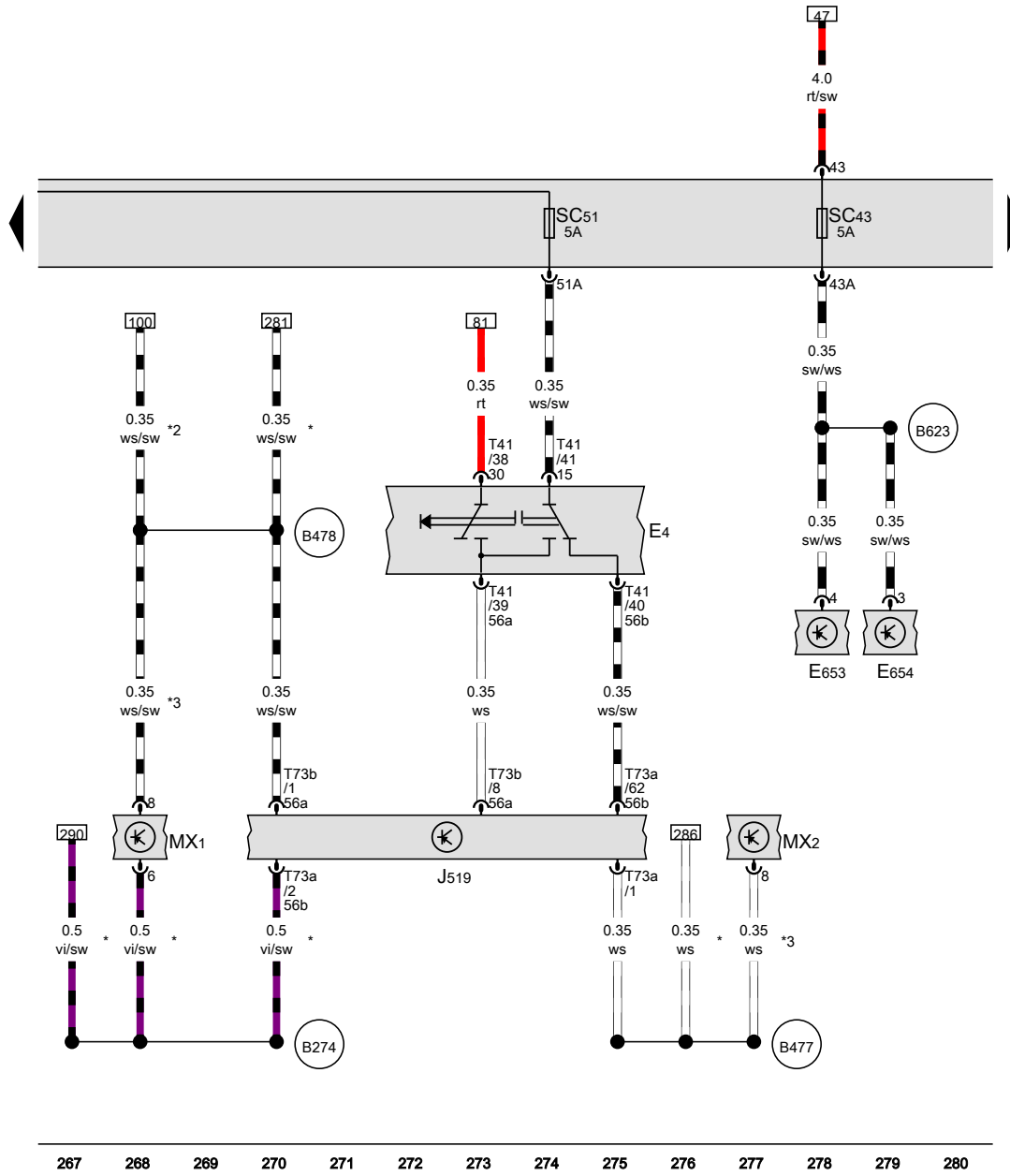
- * For models with manual gearbox
- *2 For right-hand drive models
- *3 For left-hand drive models

- ws = white
- sw = black
- ro = red
- rt = red
- br = brown
- gn = green
- bl = blue
- gr = grey
- li = purple
- vi = purple
- ge = yellow
- or = orange
- rs = pink

253 254 255 256 257 258 259 260 261 262 263 264 265 266

[S60-046200219]

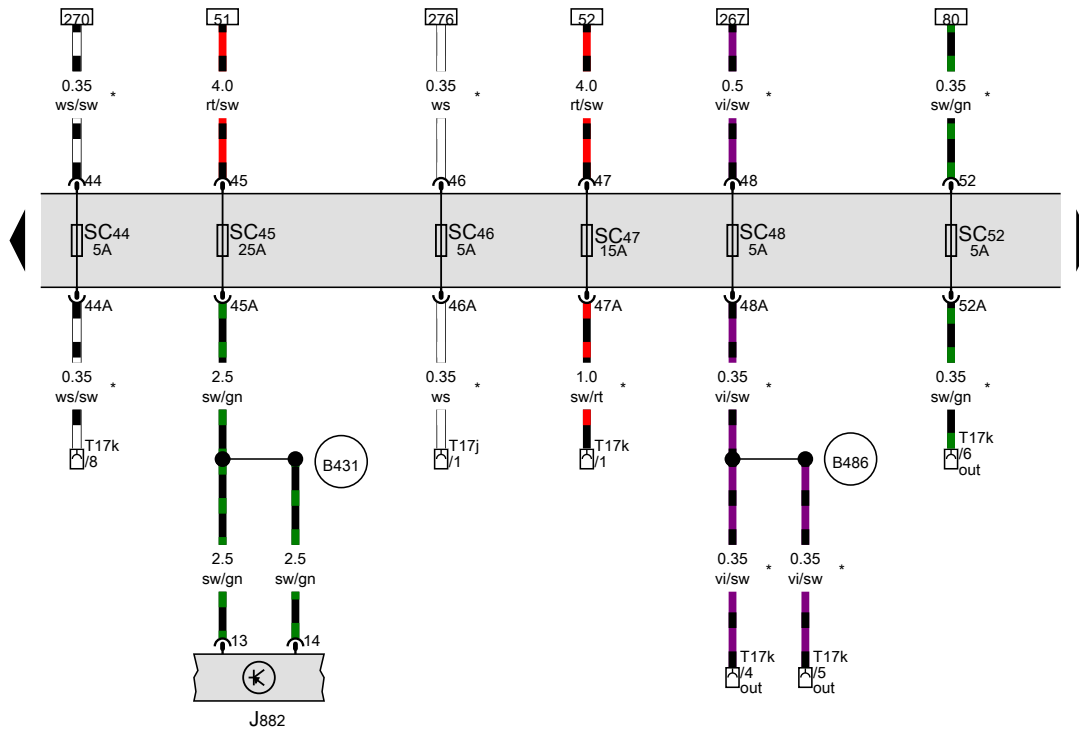
Fuse 43 on fuse holder C, Fuse 51 on fuse holder C



- E4 Headlight dipper and flasher switch
- E653 Button for left seat heating
- E654 Button for right seat heating
- J519 Onboard supply control unit
- MX1 Front left headlight
- MX2 Front right headlight
- SC43 Fuse 43 on fuse holder C
- SC51 Fuse 51 on fuse holder C
- T41 41-pin connector, grey
- T73a 73-pin connector, black
- T73b 73-pin connector, colourless
- B274 Positive connection (58L), in main wiring harness
- B477 Connection 13, in main wiring harness
- B478 Connection 14, in main wiring harness
- B623 Connection 1 (75x), in main wiring harness
- * For models with electric interface for external use
- *2 For models with auxiliary lights
- *3 For models with no auxiliary lights

- ws = white
- sw = black
- ro = red
- rt = red
- br = brown
- gn = green
- bl = blue
- gr = grey
- li = purple
- vi = purple
- ge = yellow
- or = orange
- rs = pink

Fuse 44 on fuse holder C, Fuse 45 on fuse holder C, Fuse 46 on fuse holder C, Fuse 47 on fuse holder C, Fuse 48 on fuse holder C, Fuse 52 on fuse holder C



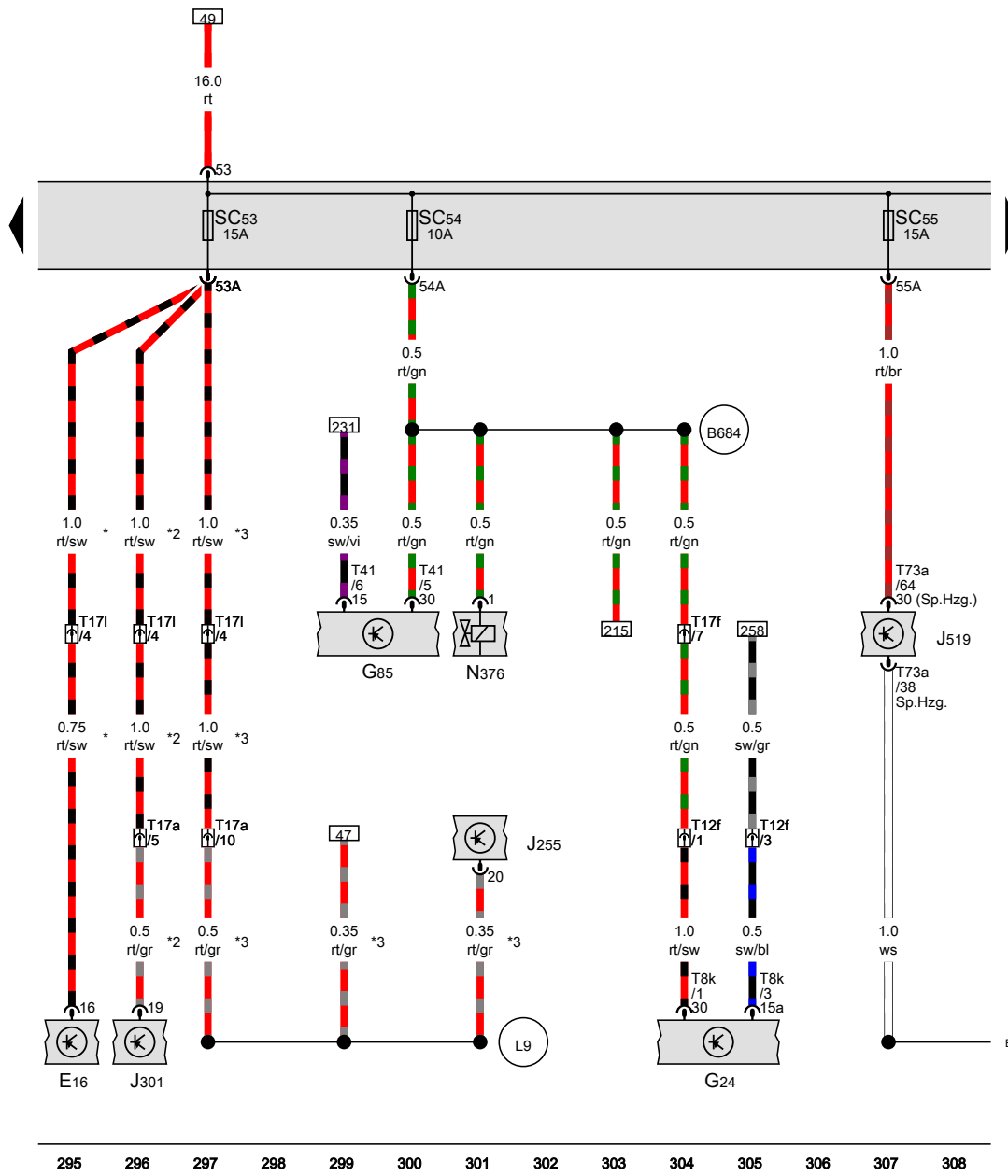
- J882 Seat heating control unit
- SC44 Fuse 44 on fuse holder C
- SC45 Fuse 45 on fuse holder C
- SC46 Fuse 46 on fuse holder C
- SC47 Fuse 47 on fuse holder C
- SC48 Fuse 48 on fuse holder C
- SC52 Fuse 52 on fuse holder C
- T17j 17-pin connector, green, near driver side A-pillar
- T17k 17-pin connector, blue, near driver side A-pillar
- (B431) Connection (seat heating), in main wiring harness
- (B486) Connection 22, in main wiring harness
- * For models with electric interface for external use

- ws = white
- sw = black
- ro = red
- rt = red
- br = brown
- gn = green
- bl = blue
- gr = grey
- li = purple
- vi = purple
- ge = yellow
- or = orange
- rs = pink

281 282 283 284 285 286 287 288 289 290 291 292 293 294

[S60-046220219]

Fuse 53 on fuse holder C, Fuse 54 on fuse holder C, Fuse 55 on fuse holder C

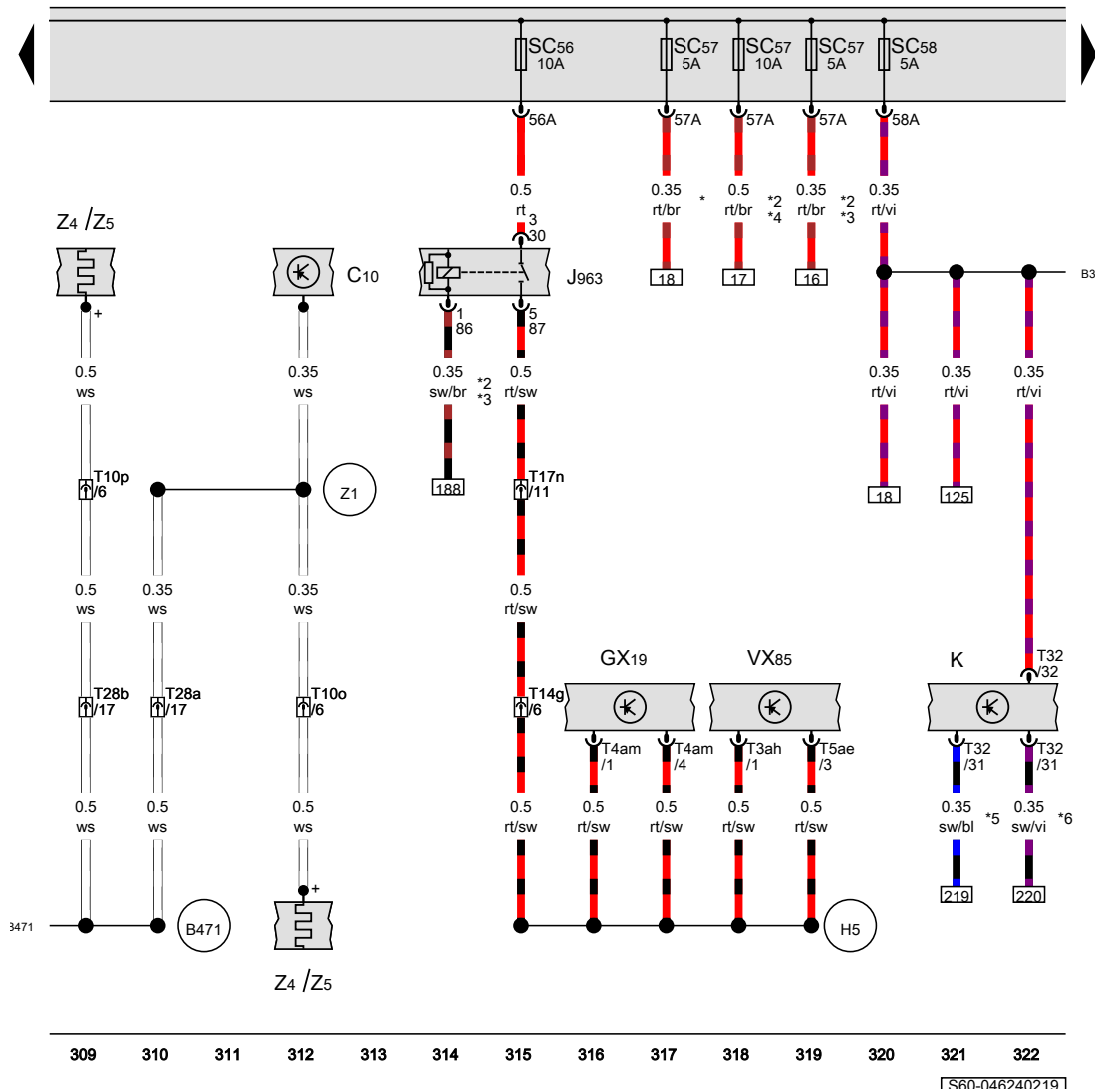


- E16 Heater/heat output switch
- G24 Tachograph
- G85 Steering angle sender
- J255 Climatronic control unit, in centre of dash panel
- J301 Air conditioning system control unit
- J519 Onboard supply control unit, near driver side A-pillar
- N376 Ignition key withdrawal lock solenoid
- SC53 Fuse 53 on fuse holder C
- SC54 Fuse 54 on fuse holder C
- SC55 Fuse 55 on fuse holder C
- T8k 8-pin connector, colourless
- T12f 12-pin connector, black
- T17a 17-pin connector, black
- T17f 17-pin connector, blue, near handbrake lever
- T171 17-pin connector, brown, behind dash panel
- T41 41-pin connector, grey
- T73a 73-pin connector, black

- B471 Connection 7, in main wiring harness
- B684 Positive connection 24 (30a) in main wiring harness
- L9 Connection 1, in air conditioning system wiring harness
- * For models with no air conditioning system/Climatronic
- *2 For models with Climatronic
- *3 For models with Climatronic

- ws = white
- sw = black
- ro = red
- rt = red
- br = brown
- gn = green
- bl = blue
- gr = grey
- li = purple
- vi = purple
- ge = yellow
- or = orange
- rs = pink

Delivery unit for reducing agent metering system, Fuse 56 on fuse holder C, Fuse 57 on fuse holder C, Fuse 58 on fuse holder C, Reducing agent tank

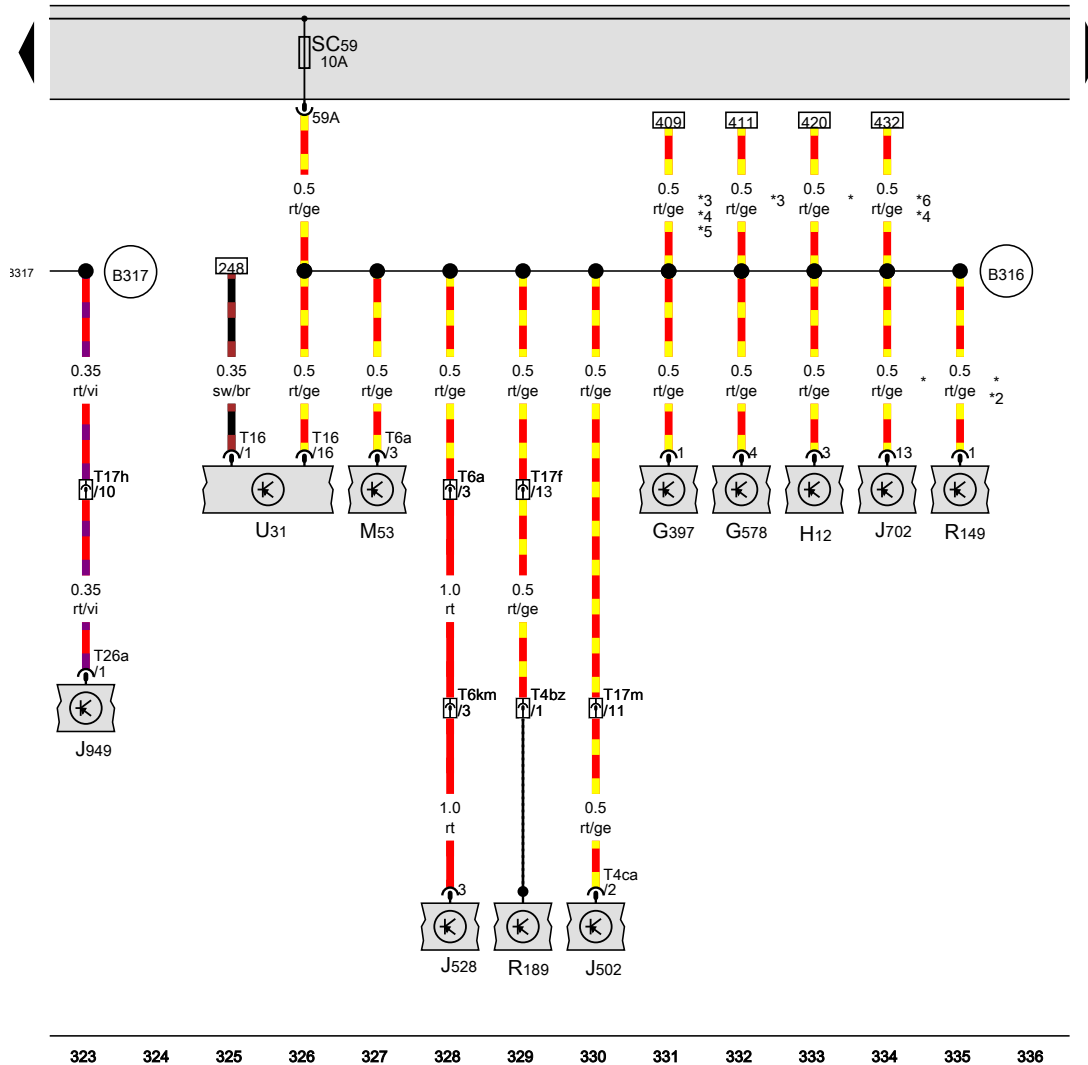


- C10 Suppression filter, in left door
- GX19 Delivery unit for reducing agent metering system, on reducing-agent tank
- J963 Relay for reducing agent metering system
- K Dash panel insert
- SC56 Fuse 56 on fuse holder C
- SC57 Fuse 57 on fuse holder C
- SC58 Fuse 58 on fuse holder C
- T3ah 3-pin connector, black
- T4am 4-pin connector, black
- T5ae 5-pin connector, black
- T10o 10-pin connector, black
- T10p 10-pin connector, black
- T14g 14-pin connector, grey, rear
- T17n 17-pin connector, green, near handbrake lever
- T28a 28-pin connector, black, on left A-pillar
- T28b 28-pin connector, black, on right A-pillar
- T32 32-pin connector, blue
- VX85 Reducing agent tank
- Z4 Heated exterior mirror on driver side
- Z5 Heated exterior mirror on passenger side
- B31 Positive connection 3 (30a) in main wiring harness
- B471 Connection 7, in main wiring harness
- H5 Connection 3 in wiring harness for reducing agent tank
- Z1 Connection 1, in mirror adjustment/heating wiring harness
- * For models with petrol engine
- *2 For models with diesel engine
- *3 For models with 3.0l engine
- *4 For models with 2.0l engine
- *5 For left-hand drive models
- *6 For right-hand drive models

- ws = white
- ro = red
- rt = red
- br = brown
- gn = green
- bl = blue
- gr = grey
- li = purple
- vi = purple
- ge = yellow
- or = orange
- rs = pink

1914246260-65

Emergency call module control unit and communication unit, Fuse 59 on fuse holder C



- G397 Rain and light sensor
- G578 Anti-theft alarm sensor
- H12 Alarm horn
- J502 Tyre Pressure Monitoring System control unit
- J528 Roof electronics control unit
- J702 Roof display unit, near interior mirror
- J949 Emergency call module control unit and communication unit
- M53 Load area illumination bulb
- R149 Remote control receiver for auxiliary coolant heater
- R189 Reversing camera
- SC59 Fuse 59 on fuse holder C
- T4bz 4-pin connector, black, on longitudinal member, rear, left
- T4ca 4-pin connector, grey
- T6a 6-pin connector, black, on rear roof module
- T6km 6-pin connector, black
- T16 16-pin connector, black
- T17f 17-pin connector, blue, near handbrake lever
- T17h 17-pin connector, blue, behind dash panel
- T17m 17-pin connector, brown, near handbrake lever
- T26a 26-pin connector, black
- U31 Diagnostic connection, near lower part of right A-pillar

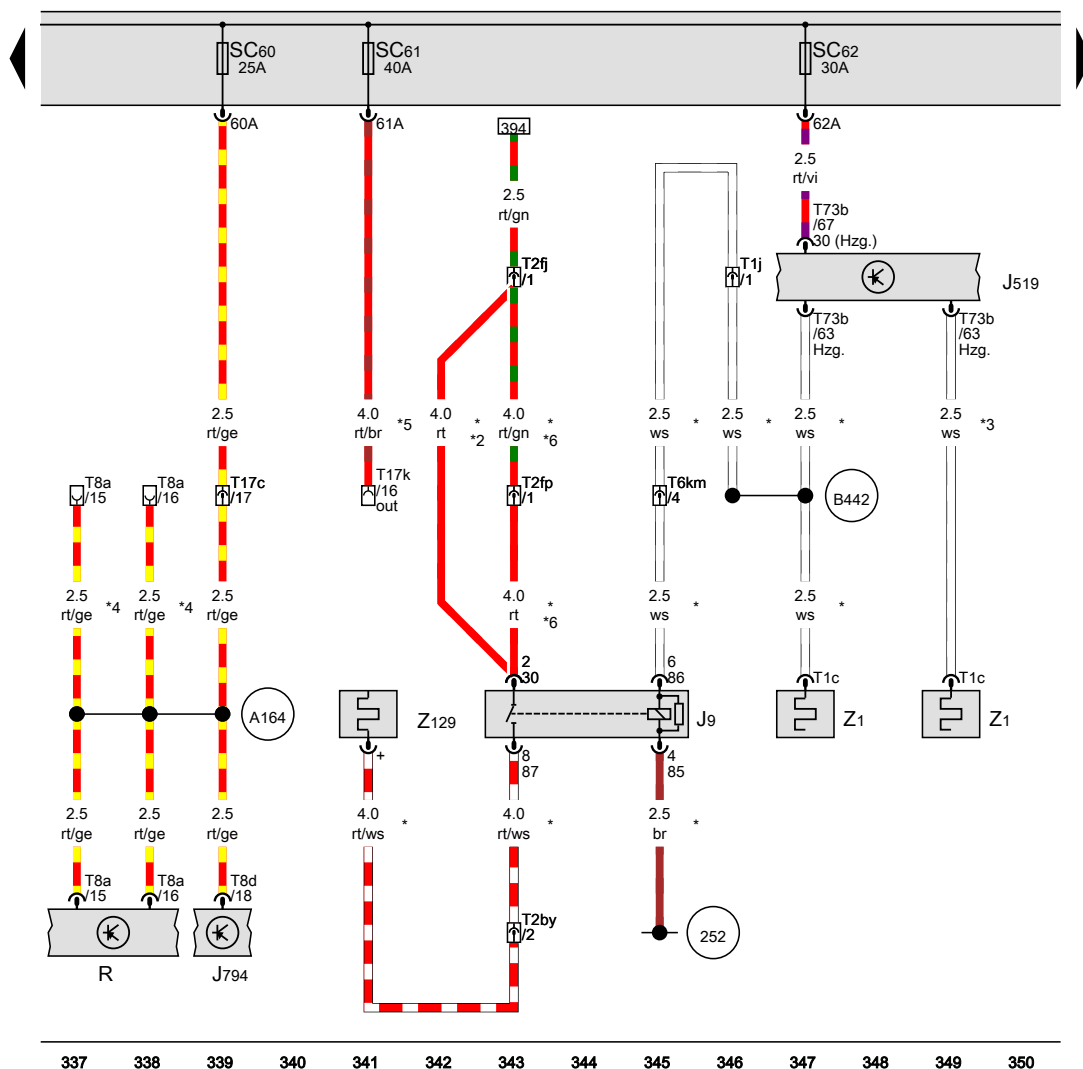
- B316** Positive connection 2 (30a) in main wiring harness
- B317** Positive connection 3 (30a) in main wiring harness
- * Only models with auxiliary coolant heater
- *2 For models with remote control receiver for auxiliary coolant heater
- *3 For models with diesel engine
- *4 For models with Climatronic
- *5 For models with Climatic
- *6 For models with petrol engine

- ws = white
- sw = black
- ro = red
- rt = red
- br = brown
- gn = green
- bl = blue
- gr = grey
- li = purple
- vi = purple
- ge = yellow
- or = orange
- rs = pink

1560-046250219

Heated rear window relay, Fuse 60 on fuse holder C, Fuse 61 on fuse holder C, Fuse 62 on fuse holder C

- J9 Heated rear window relay, near rear lid, behind moulded headliner
- J519 Onboard supply control unit
- J794 Control unit 1 for information electronics
- R Radio
- SC60 Fuse 60 on fuse holder C
- SC61 Fuse 61 on fuse holder C
- SC62 Fuse 62 on fuse holder C
- T1c 1-pin connector, black
- T1j 1-pin connector, black, on rear roof module
- T2by 2-pin connector, black, Coupling point for rear lid
- T2fj 2-pin connector, brown, on cross panel, rear, left
- T2fp 2-pin connector, black, in rear part of roof, left
- T6km 6-pin connector, black
- T8a 8-pin connector, black
- T8d 8-pin connector, black
- T17c 17-pin connector, white, behind dash panel
- T17k 17-pin connector, blue, near driver side A-pillar
- T73b 73-pin connector, colourless
- Z1 Heated rear window
- Z129 Heated rear window for hardtop, in rear lid



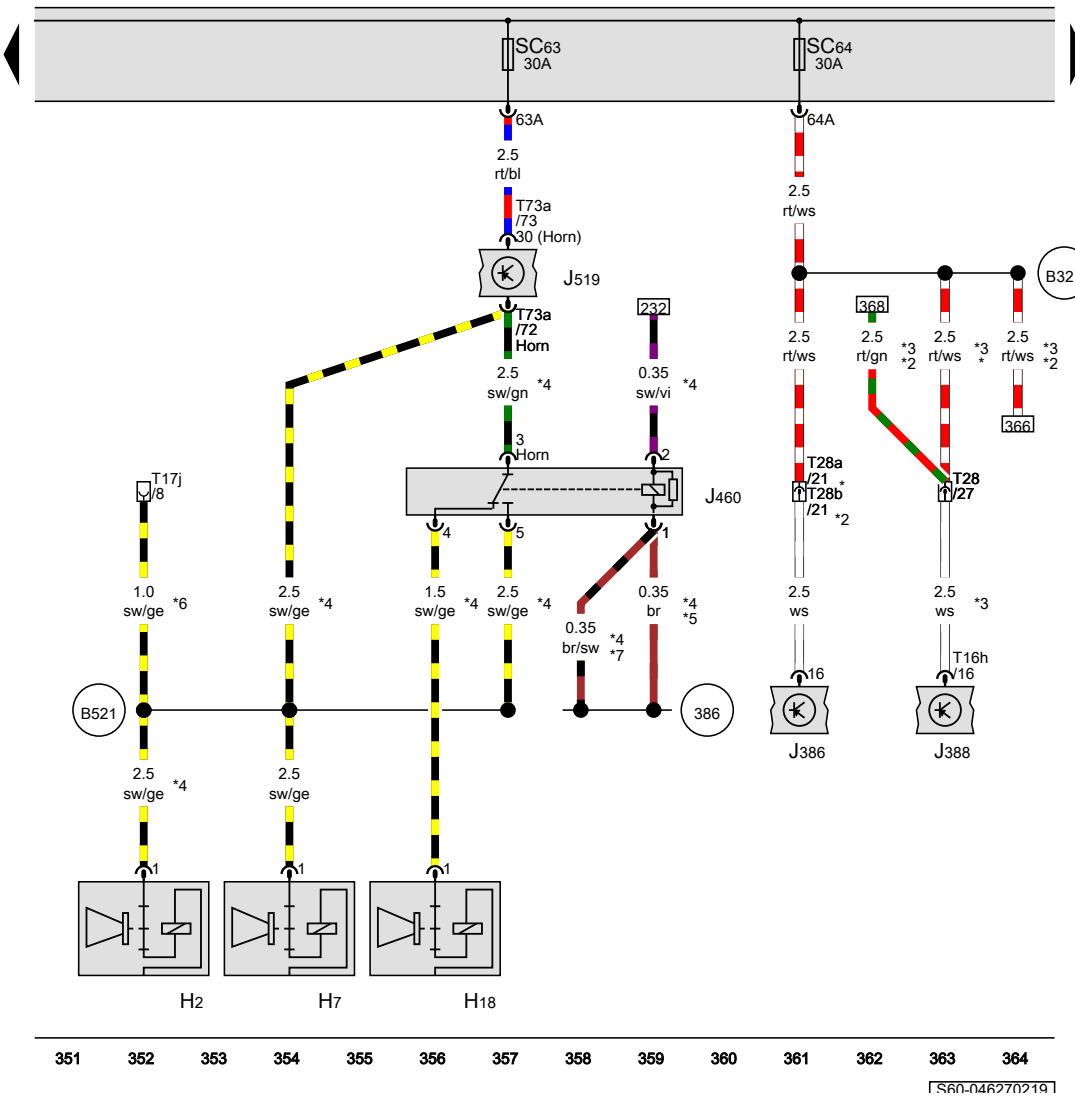
- (252) Earth connection, in optional equipment wiring harness
- (A164) Positive connection 2 (30a) in dash panel wiring harness
- (B442) Connection 1 (rear window), in main wiring harness
- * For models with hardtop
- *2 From February 2017
- *3 For models with no hardtop
- *4 For models with preparation for radio
- *5 For models with electric interface for external use
- *6 Up to February 2017

- ws = white
- sw = black
- ro = red
- rt = red
- br = brown
- gn = green
- bl = blue
- gr = grey
- li = purple
- vi = purple
- ge = yellow
- or = orange
- rs = pink

Alarm system relay 1, Fuse 63 on fuse holder C, Fuse 64 on fuse holder C

- H2 Treble horn
- H7 Bass horn
- H18 Alarm system horn
- J386 Driver door control unit
- J388 Rear left door control unit
- J460 Alarm system relay 1
- J519 Onboard supply control unit
- SC63 Fuse 63 on fuse holder C
- SC64 Fuse 64 on fuse holder C
- T17j 17-pin connector, black
- T17j 17-pin connector, green, near driver side A-pillar
- T28 28-pin connector, black, on left B-pillar
- T28a 28-pin connector, black, on left A-pillar
- T28b 28-pin connector, black, on right A-pillar
- T73a 73-pin connector, black

- 386 Earth connection 21, in main wiring harness
- B321 Positive connection 7 (30a) in main wiring harness
- B521 Connection (dual tone horn), in main wiring harness
- * For left-hand drive models
- *2 For right-hand drive models
- *3 For models with double cab
- *4 According to equipment
- *5 Up to February 2017
- *6 For models with electric interface for external use
- *7 From February 2017





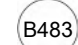


- ws = white
- sw = black
- ro = red
- rt = red
- br = brown
- gn = green
- bl = blue
- gr = grey
- li = purple
- vi = purple
- ge = yellow
- or = orange
- rs = pink

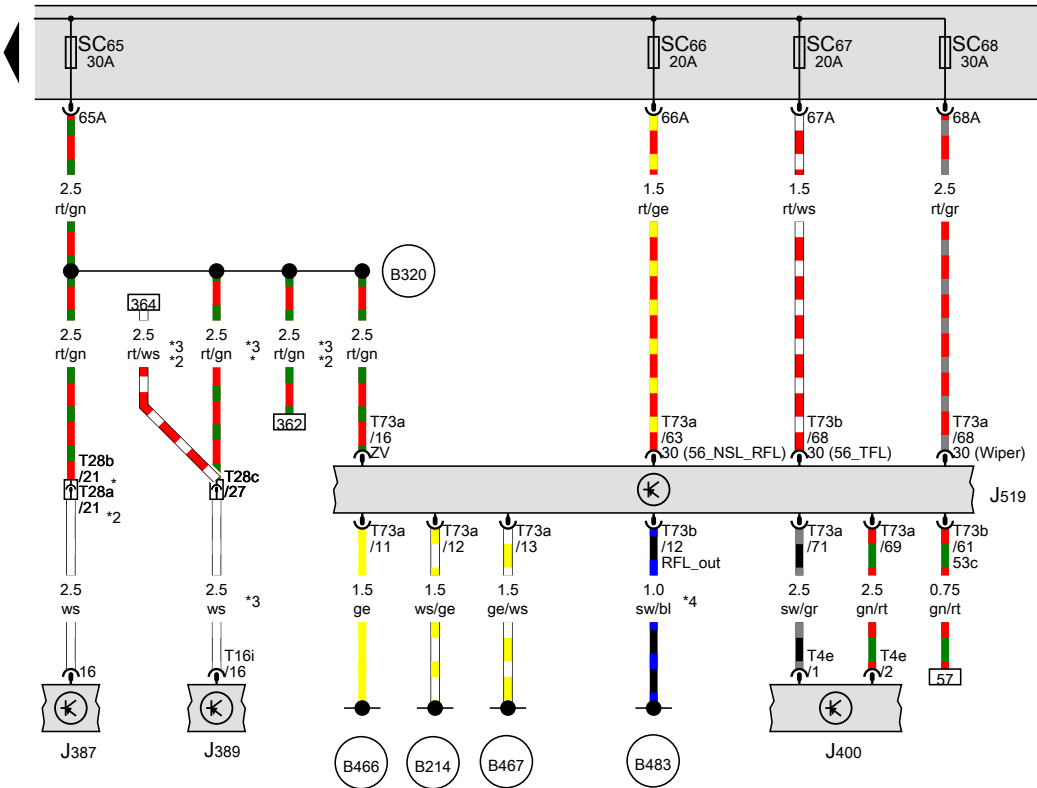
[S60-046270219]

Fuse 65 on fuse holder C, Fuse 66 on fuse holder C, Fuse 67 on fuse holder C, Fuse 68 on fuse holder C

- J387 Front passenger door control unit
- J389 Rear right door control unit
- J400 Wiper motor control unit
- J519 Onboard supply control unit
- SC65 Fuse 65 on fuse holder C
- SC66 Fuse 66 on fuse holder C
- SC67 Fuse 67 on fuse holder C
- SC68 Fuse 68 on fuse holder C
- T4e 4-pin connector, black
- T16i 16-pin connector, black
- T28a 28-pin connector, black, on left A-pillar
- T28b 28-pin connector, black, on right A-pillar
- T28c 28-pin connector, black, on right B-pillar
- T73a 73-pin connector, black
- T73b 73-pin connector, colourless

-  B214 Connection 1 (central locking), in interior wiring harness
-  B320 Positive connection 6 (30a) in main wiring harness
-  B466 Connection 2, in main wiring harness
-  B467 Connection 3, in main wiring harness
-  B483 Connection 19, in main wiring harness

- * For left-hand drive models
- *2 For right-hand drive models
- *3 For models with double cab
- *4 see applicable current flow diagram for exterior lighting

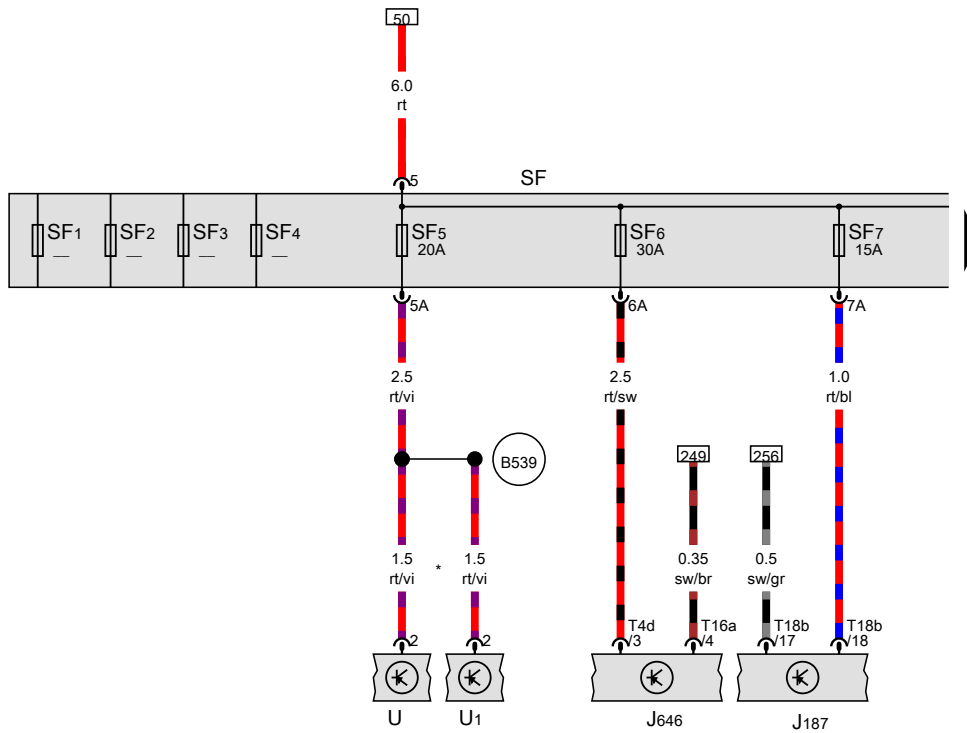


- ws = white
- sw = black
- ro = red
- rt = red
- br = brown
- gn = green
- bl = blue
- gr = grey
- li = purple
- vi = purple
- ge = yellow
- or = orange
- rs = pink

365 366 367 368 369 370 371 372 373 374 375 376 377 378

TS60-046280219

Fuse 1 in fuse holder F, Fuse 2 in fuse holder F, Fuse 3 in fuse holder F, Fuse 4 in fuse holder F, Fuse 5 in fuse holder F, Fuse 6 in fuse holder F, Fuse 7 in fuse holder F



- J187 Differential lock control unit
- J646 Transfer box control unit
- SF Fuse holder F
- SF1 Fuse 1 in fuse holder F
- SF2 Fuse 2 in fuse holder F
- SF3 Fuse 3 in fuse holder F
- SF4 Fuse 4 in fuse holder F
- SF5 Fuse 5 in fuse holder F
- SF6 Fuse 6 in fuse holder F
- SF7 Fuse 7 in fuse holder F
- T4d 4-pin connector, brown
- T16a 16-pin connector, brown
- T18b 18-pin connector, black
- U Electric socket, on centre console switch module
- U1 Cigarette lighter, on centre console switch module

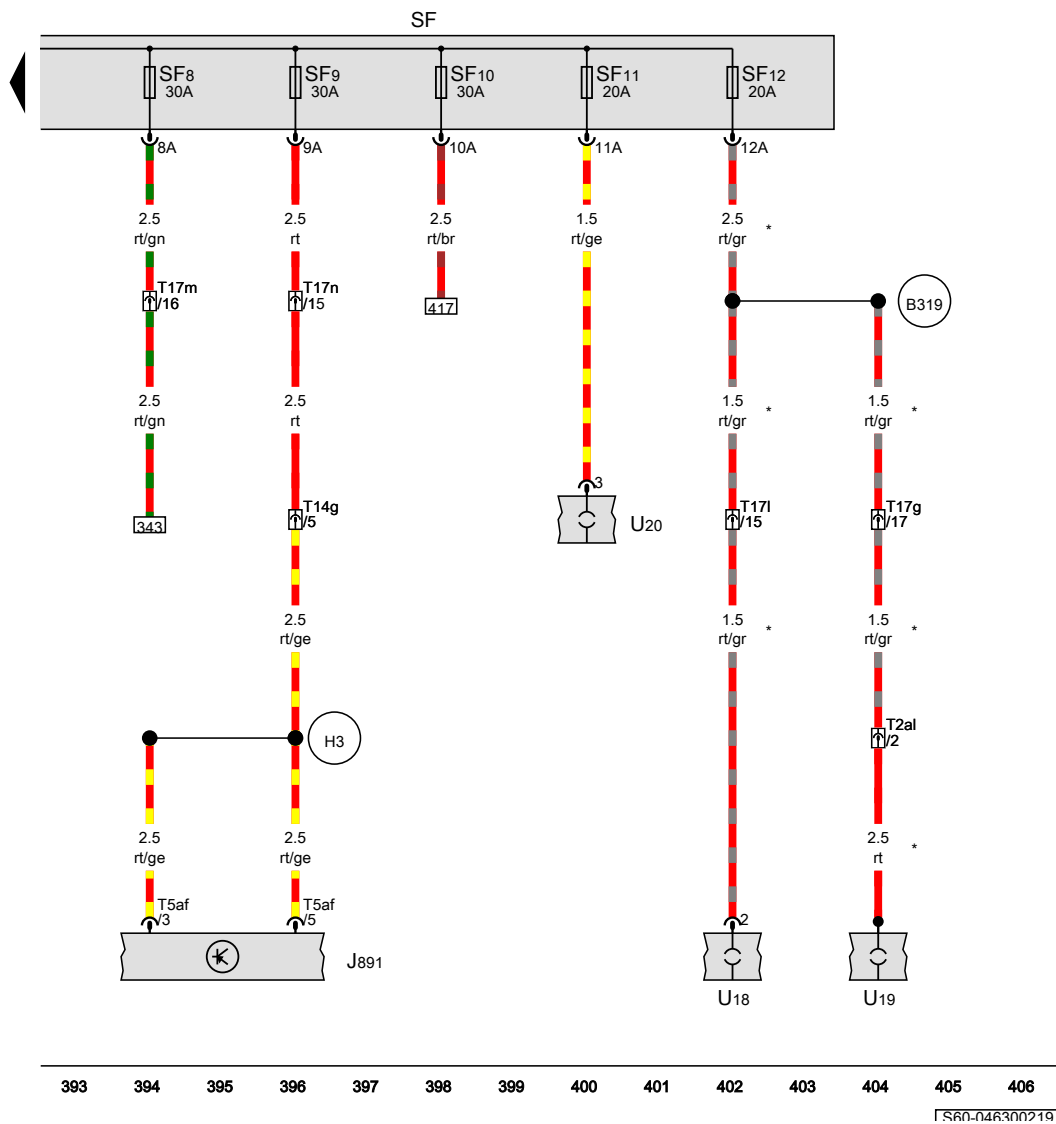
B539 Connection 30, in main wiring harness

* For models with 12 V socket

- ws = white
- sw = black
- ro = red
- rt = red
- br = brown
- gn = green
- bl = blue
- gr = grey
- li = purple
- vi = purple
- ge = yellow
- or = orange
- rs = pink

Fuse 8 in fuse holder F, Fuse 9 in fuse holder F, Fuse 10 in fuse holder F, Fuse 11 in fuse holder F, Fuse 12 in fuse holder F

- J891 Control unit for reducing agent heater
- SF Fuse holder F
- SF8 Fuse 8 in fuse holder F
- SF9 Fuse 9 in fuse holder F
- SF10 Fuse 10 in fuse holder F
- SF11 Fuse 11 in fuse holder F
- SF12 Fuse 12 in fuse holder F
- T2al 2-pin connector, black, Interface for rear left socket, on wheel housing
- T5af 5-pin connector, colourless
- T14g 14-pin connector, grey, rear
- T17g 17-pin connector, black
- T17l 17-pin connector, brown, behind dash panel
- T17m 17-pin connector, brown, near handbrake lever
- T17n 17-pin connector, green, near handbrake lever
- U18 12 V socket 2, in centre of dash panel, in storage compartment
- U19 12 V socket 3, on left wheel housing
- U20 12 V socket 4



- B319 Positive connection 5 (30a) in main wiring harness
- H3 Connection 1 in wiring harness for reducing agent tank
- * For models with 12 V socket

- ws = white
- sw = black
- ro = red
- rt = red
- br = brown
- gn = green
- bl = blue
- gr = grey
- li = purple
- vi = purple
- ge = yellow
- or = orange
- rs = pink

393 394 395 396 397 398 399 400 401 402 403 404 405 406

[S60-046300219]

Fuel pump relay, Electric fuel pump 2 relay, Auxiliary coolant heater relay, Additional coolant pump relay, Onboard supply control unit, Engine/motor control unit

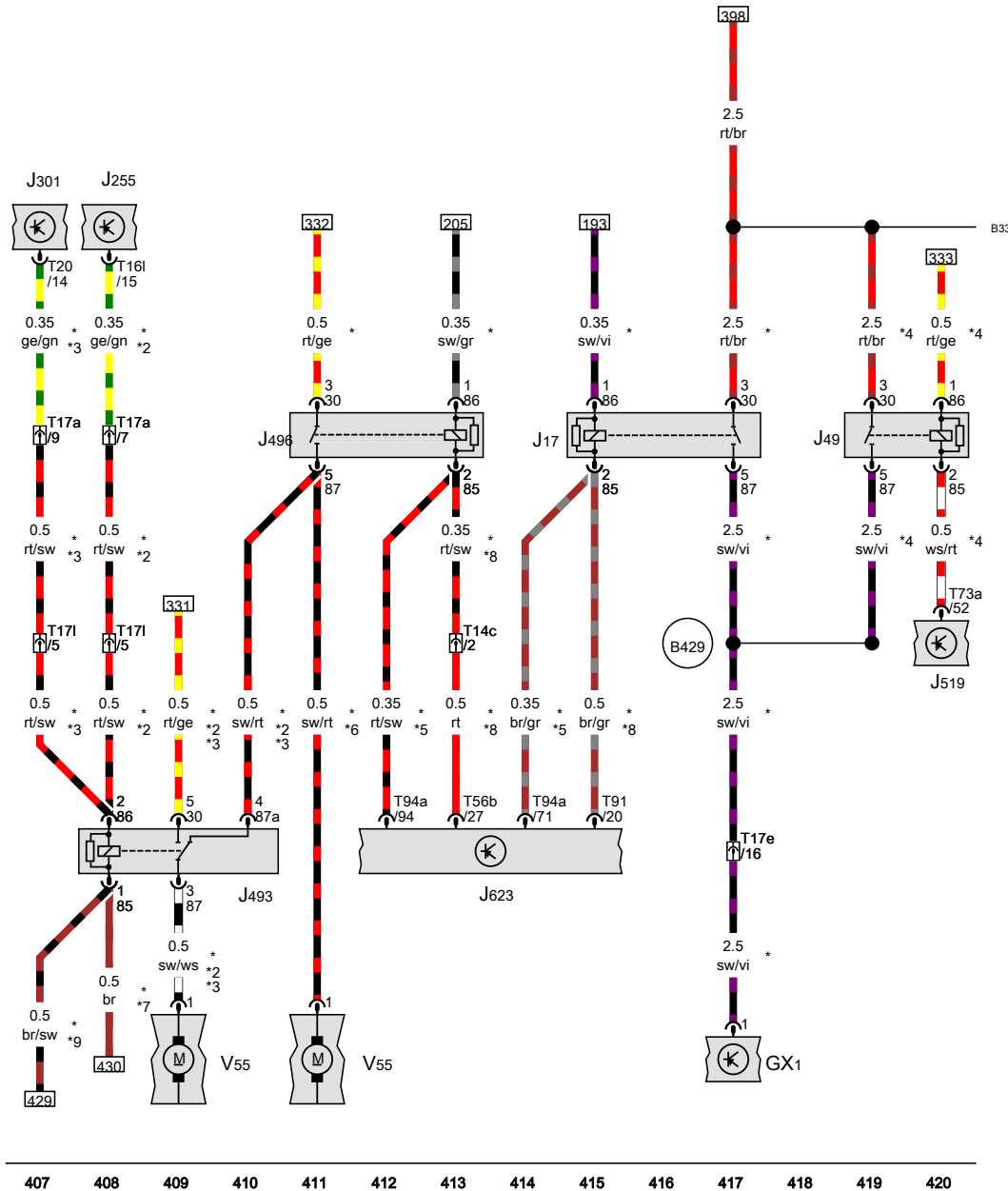
- GX1 Fuel delivery unit
- J17 Fuel pump relay
- J49 Electric fuel pump 2 relay
- J255 Climatronic control unit, in centre of dash panel
- J301 Air conditioning system control unit
- J493 Auxiliary coolant heater relay
- J496 Additional coolant pump relay
- J519 Onboard supply control unit
- J623 Engine/motor control unit
- T14c 14-pin connector, grey, near battery
- T16l 16-pin connector, black
- T17a 17-pin connector, black
- T17e 17-pin connector, red, near handbrake lever
- T17l 17-pin connector, brown, behind dash panel
- T20 20-pin connector, black
- T56b 56-pin connector, black
- T73a 73-pin connector, black
- T91 91-pin connector, black
- T94a 94-pin connector, black
- V55 Circulation pump

B332 Positive connection 18 (30a) in main wiring harness

B429 Connection (EFPR), in main wiring harness

- * For models with diesel engine
- *2 For models with Climatronic
- *3 For models with Climatic
- *4 Only models with auxiliary coolant heater
- *5 For models with 2.0l engine
- *6 For models with no air conditioning system/Climatronic
- *7 Up to February 2017
- *8 For models with 3.0l engine
- *9 From February 2017

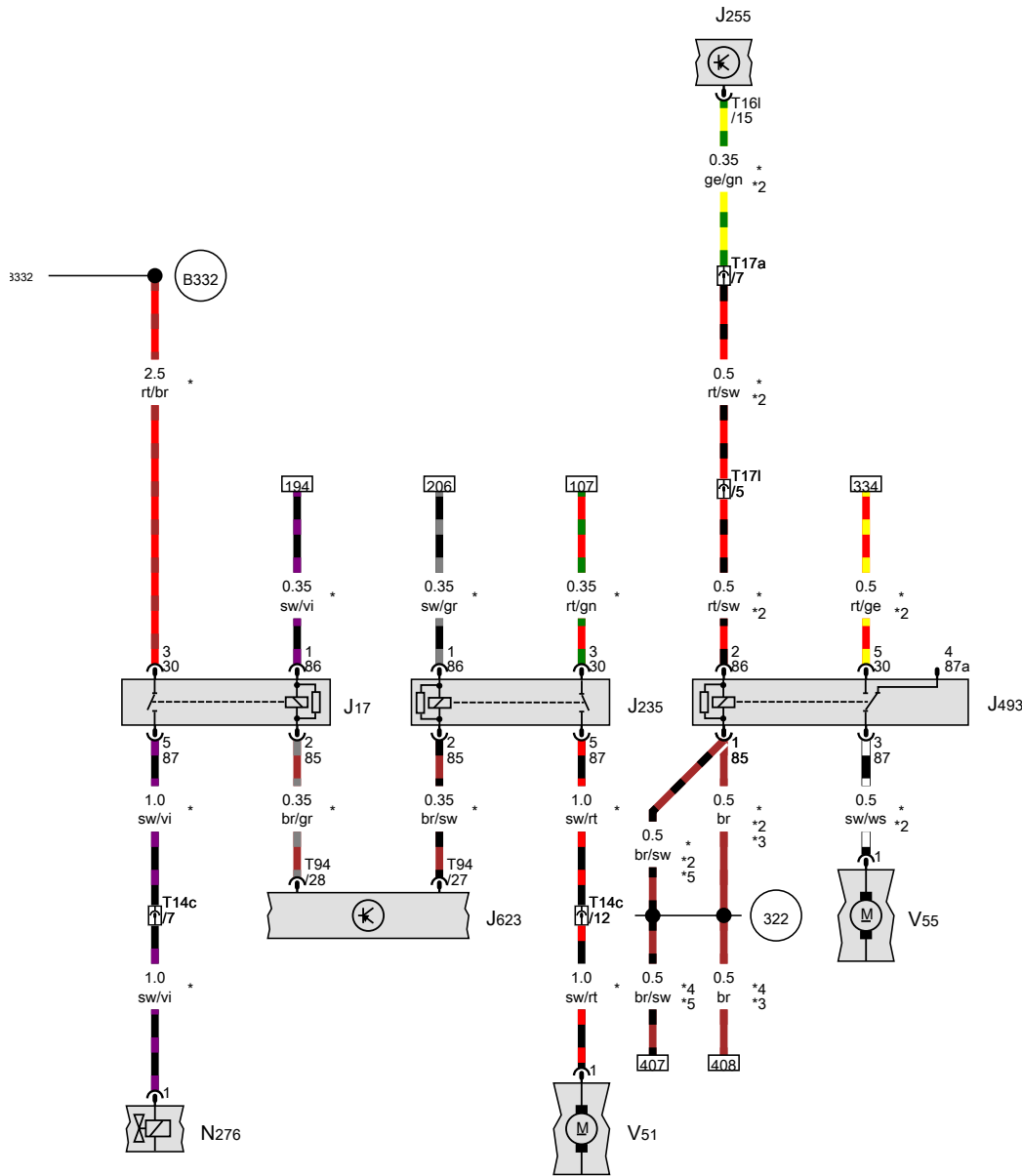
- ws = white
- sw = black
- ro = red
- rt = red
- br = brown
- gn = green
- bl = blue
- gr = grey
- li = purple
- vi = purple
- ge = yellow
- or = orange
- rs = pink



407 408 409 410 411 412 413 414 415 416 417 418 419 420

1560-0463102191

Fuel pump relay, Coolant pump relay, Auxiliary coolant heater relay, Continued coolant circulation pump



- J17 Fuel pump relay
- J235 Coolant pump relay
- J255 Climatronic control unit, in centre of dash panel
- J493 Auxiliary coolant heater relay
- J623 Engine/motor control unit
- N276 Fuel pressure regulating valve
- T14c 14-pin connector, grey, near battery
- T16l 16-pin connector, black
- T17a 17-pin connector, black
- T17l 17-pin connector, brown, behind dash panel
- T94 94-pin connector, black
- V51 Continued coolant circulation pump
- V55 Circulation pump
- 322 Earth connection (screening 3, TV), in communication wiring harness
- B332 Positive connection 18 (30a) in main wiring harness
- * For models with petrol engine
- *2 For models with Climatronic
- *3 Up to February 2017
- *4 For models with diesel engine
- *5 From February 2017

- ws = white
- sw = black
- ro = red
- rt = red
- br = brown
- gn = green
- bl = blue
- gr = grey
- li = purple
- vi = purple
- ge = yellow
- or = orange
- rs = pink

421 422 423 424 425 426 427 428 429 430 431 432 433 434

[S60-046320219]

Earthing concept

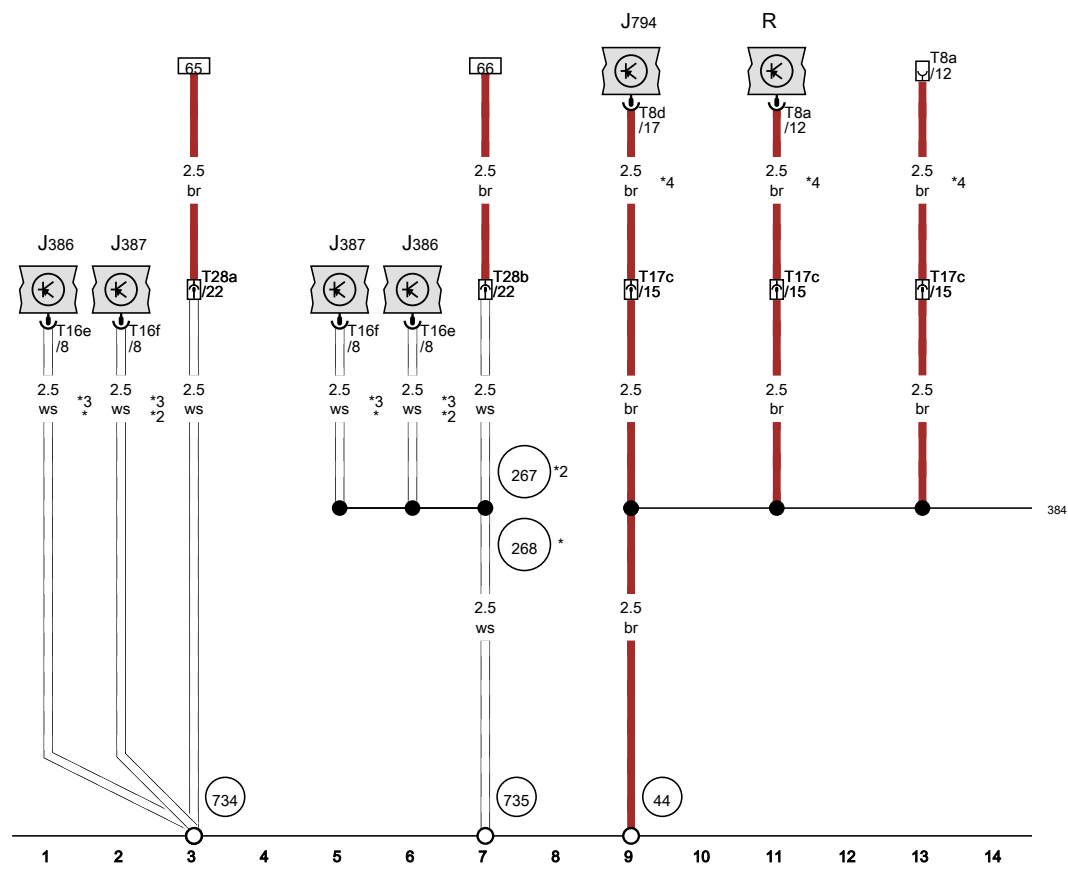
From June 2016

Driver door control unit, Front passenger door control unit, Control unit 1 for information electronics, Radio

- J386 Driver door control unit
- J387 Front passenger door control unit
- J794 Control unit 1 for information electronics
- R Radio
- T8a 8-pin connector, black, in slot for radio, centre of dash panel
- T8d 8-pin connector, black, in slot for radio, centre of dash panel
- T16e 16-pin connector, black
- T16f 16-pin connector, black
- T17c 17-pin connector, white, behind dash panel
- T28a 28-pin connector, black, on left A-pillar
- T28b 28-pin connector, black, on right A-pillar

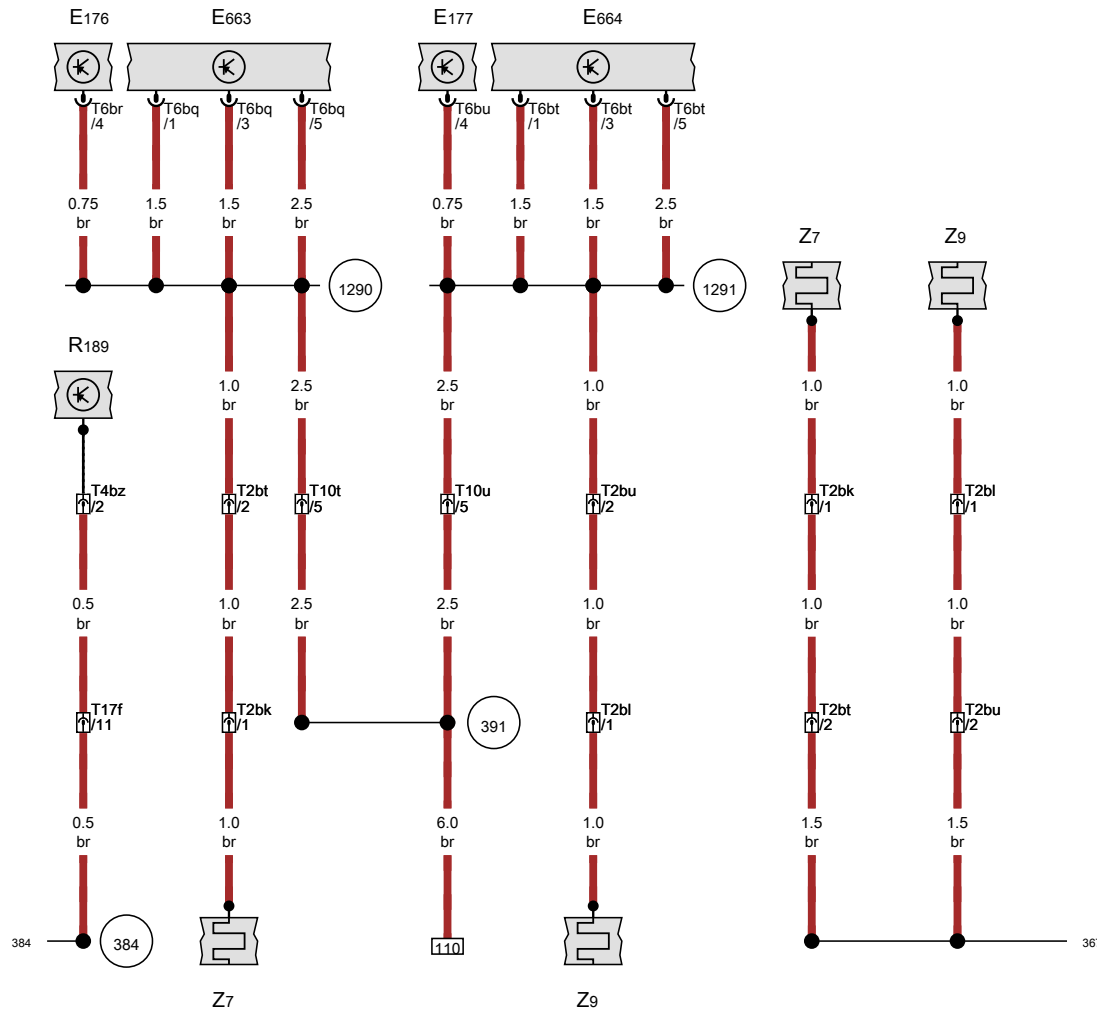
- 44 Earth point, lower part of left A-pillar
- 267 Earth connection 2, in drive side door wiring harness
- 268 Earth connection 2, in front passenger side door wiring harness
- 384 Earth connection 19, in main wiring harness
- 734 Earth point in front left door
- 735 Earth point in front right door

- * For left-hand drive models
- *2 For right-hand drive models
- *3 For models with electric window regulators
- *4 see applicable current flow diagram for radio system



- ws = white
- sw = black
- ro = red
- rt = red
- br = brown
- gn = green
- bl = blue
- gr = grey
- li = purple
- vi = purple
- ge = yellow
- or = orange
- rs = pink

TS60-0470202191



Driver seat lumbar support adjustment switch, Front passenger seat lumbar support adjustment switch, Switch module for driver seat, Switch module for front passenger seat, Reversing camera

- E176 Driver seat lumbar support adjustment switch
- E177 Front passenger seat lumbar support adjustment switch
- E663 Switch module for driver seat
- E664 Switch module for front passenger seat
- R189 Reversing camera
- T2bk 2-pin connector, black, in seat
- T2bl 2-pin connector, black, in seat
- T2bt 2-pin connector, black, under seat on front left
- T2bu 2-pin connector, black, under seat on front right
- T4bz 4-pin connector, black, on longitudinal member, rear, left
- T6bq 6-pin connector, black
- T6br 6-pin connector, black
- T6bt 6-pin connector, black
- T6bu 6-pin connector, black
- T10t 10-pin connector, black, under driver seat
- T10u 10-pin connector, black, under front passenger seat
- T17f 17-pin connector, blue, near handbrake lever
- Z7 Heated backrest for driver seat
- Z9 Heated backrest for front passenger seat

- 367 Earth connection 2, in main wiring harness
- 384 Earth connection 19, in main wiring harness
- 391 Earth connection 26, in main wiring harness
- 1290 Earth connection 1, in front left seat wiring harness
- 1291 Earth connection 1, in front right seat wiring harness

- ws = white
- sw = black
- ro = red
- rt = red
- br = brown
- gn = green
- bl = blue
- gr = grey
- li = purple
- vi = purple
- ge = yellow
- or = orange
- rs = pink

15 16 17 18 19 20 21 22 23 24 25 26 27 28

[S60-047030219]

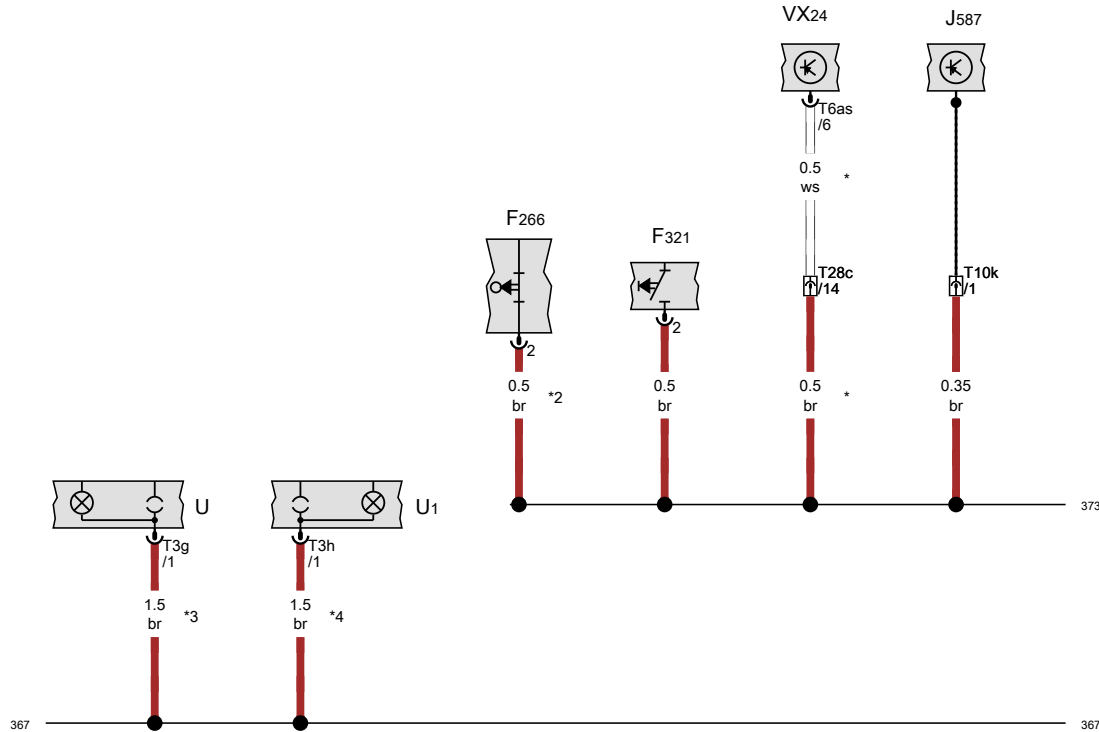
Bonnet contact switch, Parking brake contact switch, Selector lever sensors control unit, Electric socket, Cigarette lighter, Rear right door lock unit

- F266 Bonnet contact switch
- F321 Parking brake contact switch
- J587 Selector lever sensors control unit
- T3g 3-pin connector, transparent
- T3h 3-pin connector, transparent
- T6as 6-pin connector, black
- T10k 10-pin connector, black, in centre console, near handbrake lever
- T28c 28-pin connector, black, on right B-pillar
- U Electric socket, on centre console switch module
- U1 Cigarette lighter, on centre console switch module
- VX24 Rear right door lock unit

367 Earth connection 2, in main wiring harness

373 Earth connection 8, in main wiring harness

- * For models with double cab
- *2 According to equipment
- *3 For models with 12 V socket
- *4 For smoker version models



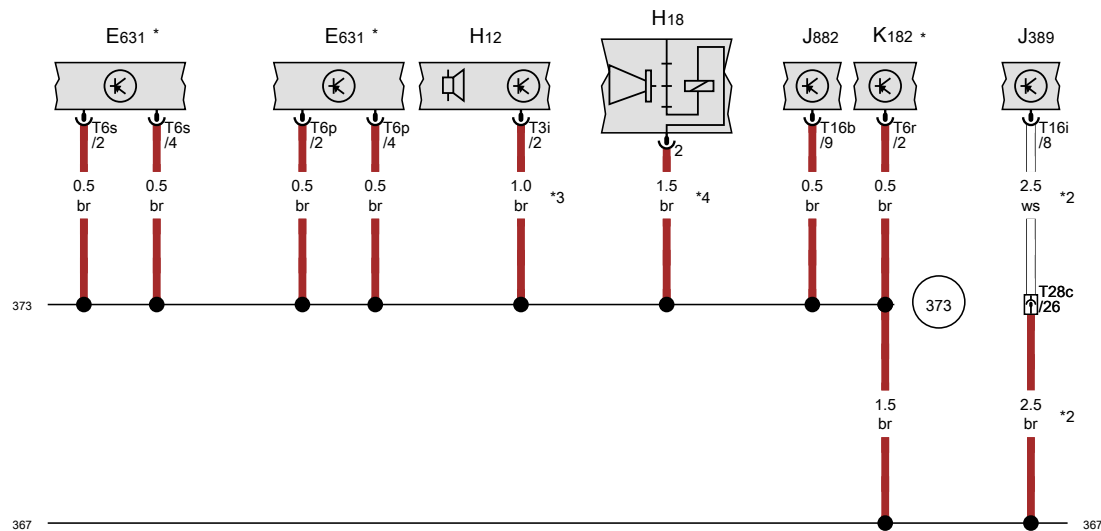
- ws = white
- sw = black
- ro = red
- rt = red
- br = brown
- gn = green
- bl = blue
- gr = grey
- li = purple
- vi = purple
- ge = yellow
- or = orange
- rs = pink

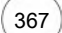
29 30 31 32 33 34 35 36 37 38 39 40 41 42

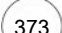
[S60-047040219]

Running gear program switch, Alarm horn, Rear right door control unit, Seat heating control unit, Reduction gearing warning lamp in transfer box operating unit

- E631 Running gear program switch, in centre console
- H12 Alarm horn
- H18 Alarm system horn
- J389 Rear right door control unit
- J882 Seat heating control unit
- K182 Reduction gearing warning lamp in transfer box operating unit, in centre console
- T3i 3-pin connector, black
- T6p 6-pin connector, black
- T6r 6-pin connector, brown
- T6s 6-pin connector, grey
- T16b 16-pin connector, black
- T16i 16-pin connector, black
- T28c 28-pin connector, black, on right B-pillar

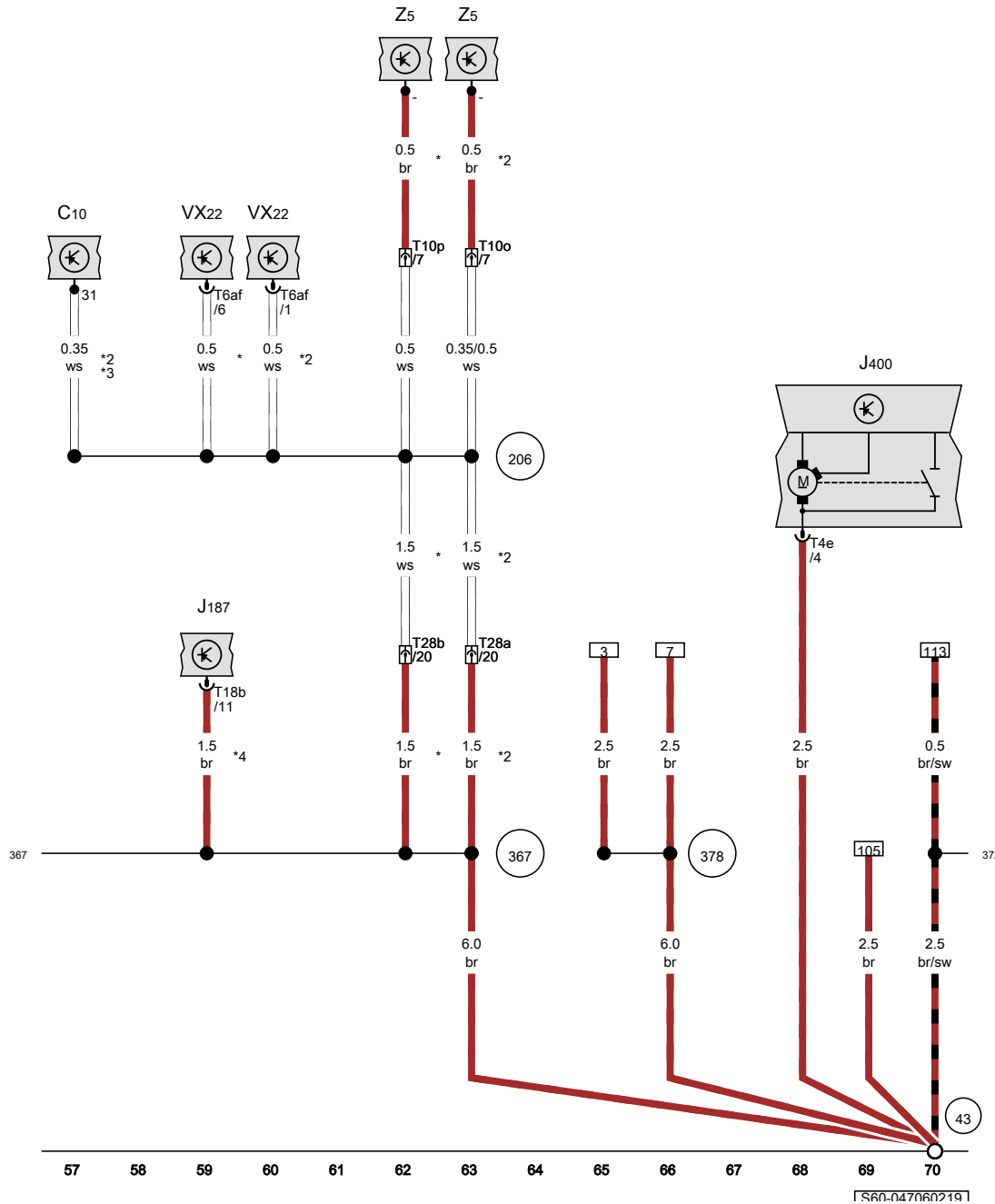


 Earth connection 2, in main wiring harness

 Earth connection 8, in main wiring harness

- * For models with all-wheel drive
- *2 For models with double cab
- *3 For models with alarm horn
- *4 For models with no alarm horn

- ws = white
- sw = black
- ro = red
- rt = red
- br = brown
- gn = green
- bl = blue
- gr = grey
- li = purple
- vi = purple
- ge = yellow
- or = orange
- rs = pink



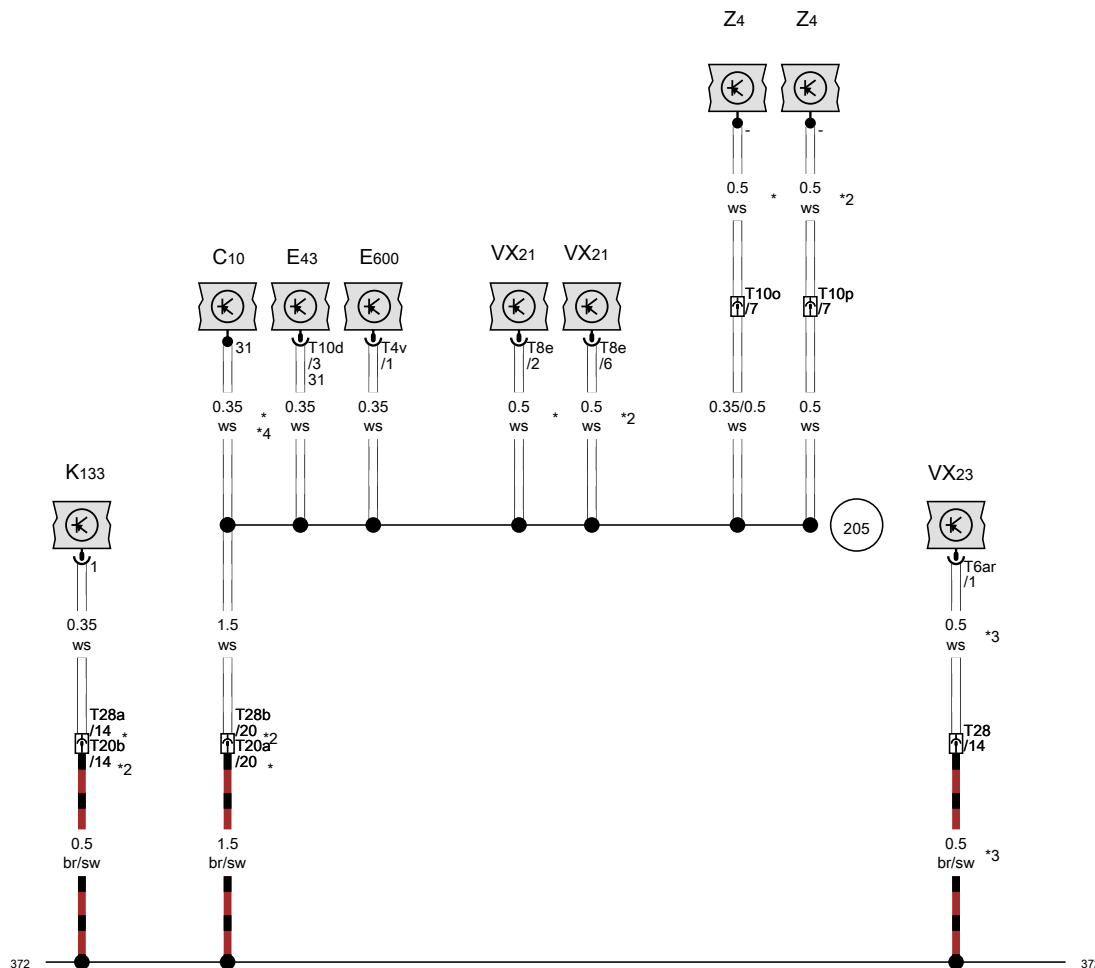
Suppression filter, Differential lock control unit, Wiper motor control unit

- C10 Suppression filter, in left door
- J187 Differential lock control unit, in centre console, near handbrake lever
- J400 Wiper motor control unit
- T4e 4-pin connector, black
- T6af 6-pin connector, black
- T10o 10-pin connector, black, in left door, near exterior mirror
- T10p 10-pin connector, black, in right door, near exterior mirror
- T18b 18-pin connector, black
- T28a 28-pin connector, black, on left A-pillar
- T28b 28-pin connector, black, on right A-pillar
- VX22 Front passenger door lock unit
- Z5 Heated exterior mirror on passenger side

- 43 Earth point, lower part of right A-pillar
- 206 Earth connection, in front passenger door wiring harness
- 367 Earth connection 2, in main wiring harness
- 372 Earth connection 7, in main wiring harness
- 378 Earth connection 13, in main wiring harness

- * For left-hand drive models
- *2 For right-hand drive models
- *3 According to equipment
- *4 For models with rear differential lock

- ws = white
- sw = black
- ro = red
- rt = red
- br = brown
- gn = green
- bl = blue
- gr = grey
- li = purple
- vi = purple
- ge = yellow
- or = orange
- rs = pink



Suppression filter, Mirror adjustment switch, Central locking button, Central locking SAFELOCK function warning lamp, Driver door lock unit, Rear left door lock unit, Heated exterior mirror on driver side

- C10 Suppression filter, in left door
- E43 Mirror adjustment switch, in driver door
- E600 Central locking button, in driver door
- K133 Central locking SAFELOCK function warning lamp
- T4v 4-pin connector, black
- T6ar 6-pin connector, black
- T8e 8-pin connector, black
- T10d 10-pin connector, black
- T10o 10-pin connector, black, in left door, near exterior mirror
- T10p 10-pin connector, black, in right door, near exterior mirror
- T28 28-pin connector, black, on left B-pillar
- T28a 28-pin connector, black, on left A-pillar
- T28b 28-pin connector, black, on right A-pillar
- VX21 Driver door lock unit
- VX23 Rear left door lock unit
- Z4 Heated exterior mirror on driver side

205 Earth connection, in driver door wiring harness

372 Earth connection 7, in main wiring harness

- * For left-hand drive models
- *2 For right-hand drive models
- *3 For models with double cab
- *4 According to equipment

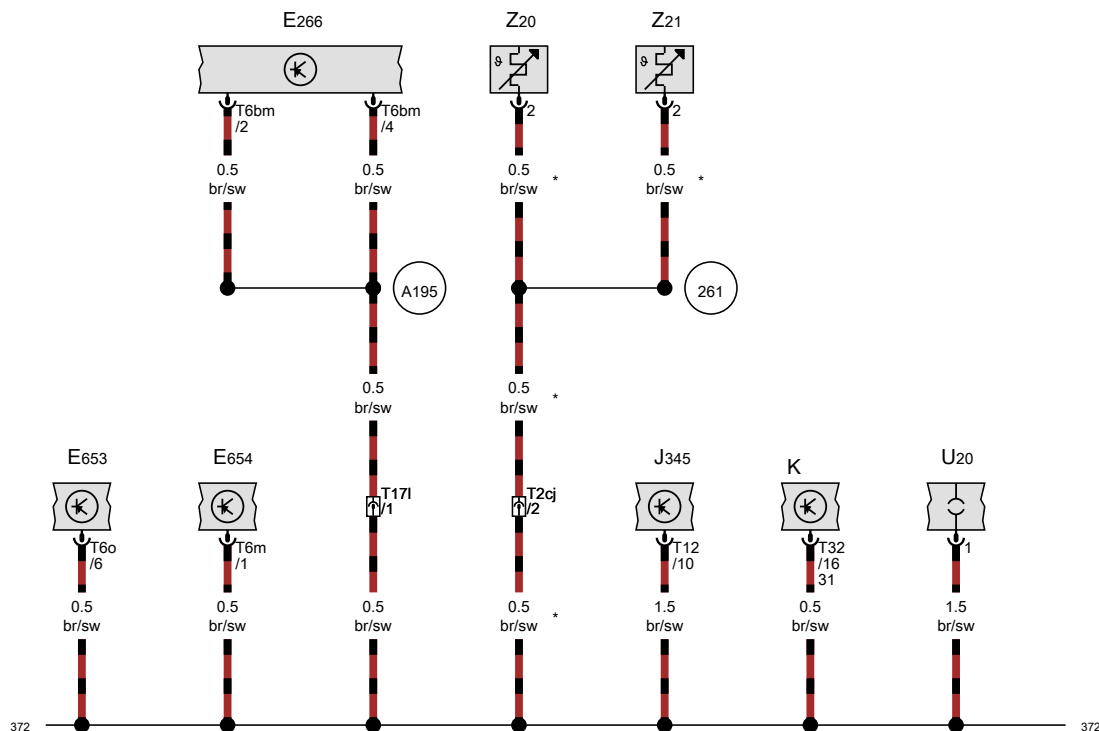
- ws = white
- sw = black
- ro = red
- rt = red
- br = brown
- gn = green
- bl = blue
- gr = grey
- li = purple
- vi = purple
- ge = yellow
- or = orange
- rs = pink

71 72 73 74 75 76 77 78 79 80 81 82 83 84

[S60-047070219]

Parking aid button, Button for left seat heating, Button for right seat heating, Trailer detector control unit, Dash panel insert, 12 V socket 4, Left washer jet heater element

- E266 Parking aid button
- E653 Button for left seat heating
- E654 Button for right seat heating
- J345 Trailer detector control unit
- K Dash panel insert
- T2cj 2-pin connector, black, near window wiper motor
- T6bm 6-pin connector, white
- T6m 6-pin connector, white
- T6o 6-pin connector, white
- T12 12-pin connector, red
- T17l 17-pin connector, brown, behind dash panel
- T32 32-pin connector, blue
- U20 12 V socket 4
- Z20 Left washer jet heater element
- Z21 Right washer jet heater element

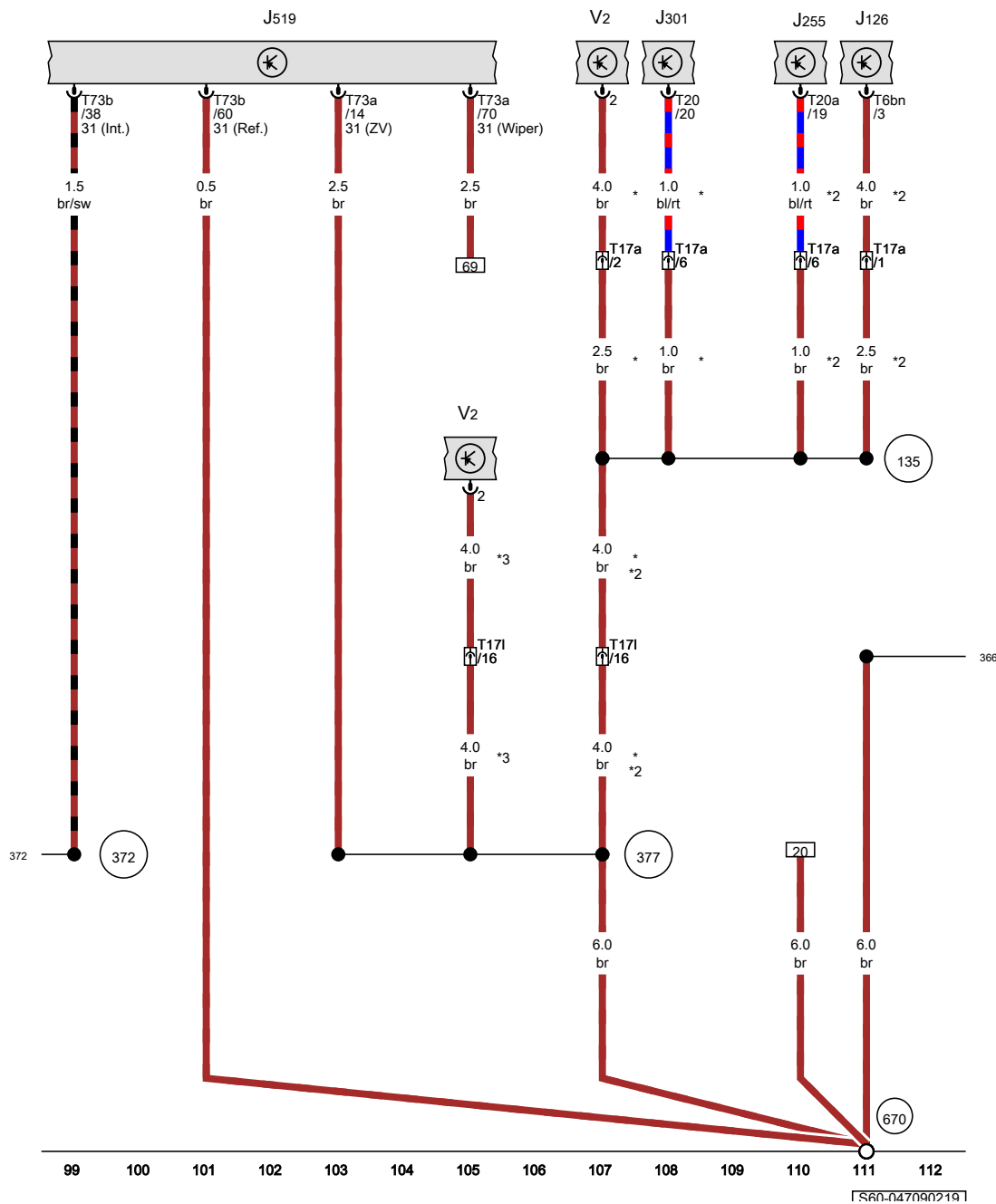


- 261 Earth connection, in heated washer jet wiring harness
- 372 Earth connection 7, in main wiring harness
- A195 Connection 1 (PDC), in dash panel insert wiring harness
- * For models with heated washer jets

- ws = white
- sw = black
- ro = red
- rt = red
- br = brown
- gn = green
- bl = blue
- gr = grey
- li = purple
- vi = purple
- ge = yellow
- or = orange
- rs = pink

85 86 87 88 89 90 91 92 93 94 95 96 97 98

[S60-047080219]



Fresh air blower control unit, Climatronic control unit, Air conditioning system control unit, Fresh air blower

- J126 Fresh air blower control unit
- J255 Climatronic control unit, in centre of dash panel
- J301 Air conditioning system control unit
- J519 Onboard supply control unit
- T6bn 6-pin connector, black
- T17a 17-pin connector, black, behind glove compartment
- T171 17-pin connector, brown, behind dash panel
- T20 20-pin connector, black
- T20a 20-pin connector, black
- T73a 73-pin connector, black
- T73b 73-pin connector, colourless
- V2 Fresh air blower

135 Earth connection 2, in dash panel wiring harness

366 Earth connection 1, in main wiring harness

372 Earth connection 7, in main wiring harness

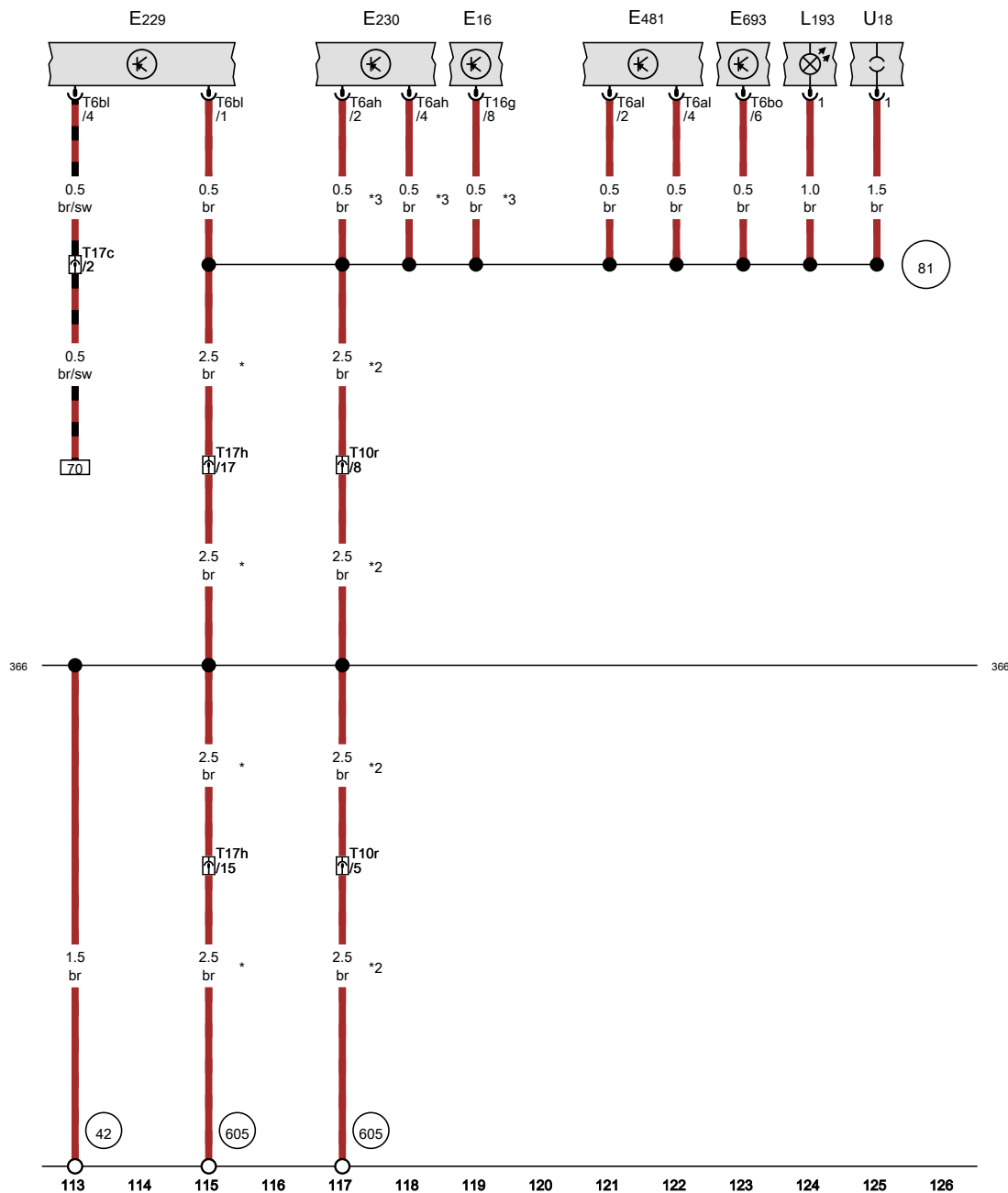
377 Earth connection 12, in main wiring harness

670 Earth point 2, left A-pillar

- * For models with Climatic
- *2 For models with Climatronic
- *3 For models with no air conditioning system/Climatronic

- ws = white
- sw = black
- ro = red
- rt = red
- br = brown
- gn = green
- bl = blue
- gr = grey
- li = purple
- vi = purple
- ge = yellow
- or = orange
- rs = pink

[S60-047090219]



Heater/heat output switch, Hazard warning lights button, Heated rear window button, Load area illumination switch, Start/Stop operation button, Light 1 for front centre console background lighting, 12 V socket 2

- E16 Heater/heat output switch
- E229 Hazard warning lights button
- E230 Heated rear window button
- E481 Load area illumination switch
- E693 Start/Stop operation button
- L193 Light 1 for front centre console background lighting, in centre console, under radio
- T6ah 6-pin connector, near radio
- T6al 6-pin connector, red
- T6bl 6-pin connector, black, near radio
- T6bo 6-pin connector, grey
- T10r 10-pin connector, blue, behind dash panel
- T16g 16-pin connector, black
- T17c 17-pin connector, white, behind dash panel
- T17h 17-pin connector, blue, behind dash panel
- U18 12 V socket 2, in centre of dash panel, in storage compartment

42 Earth point, next to steering column

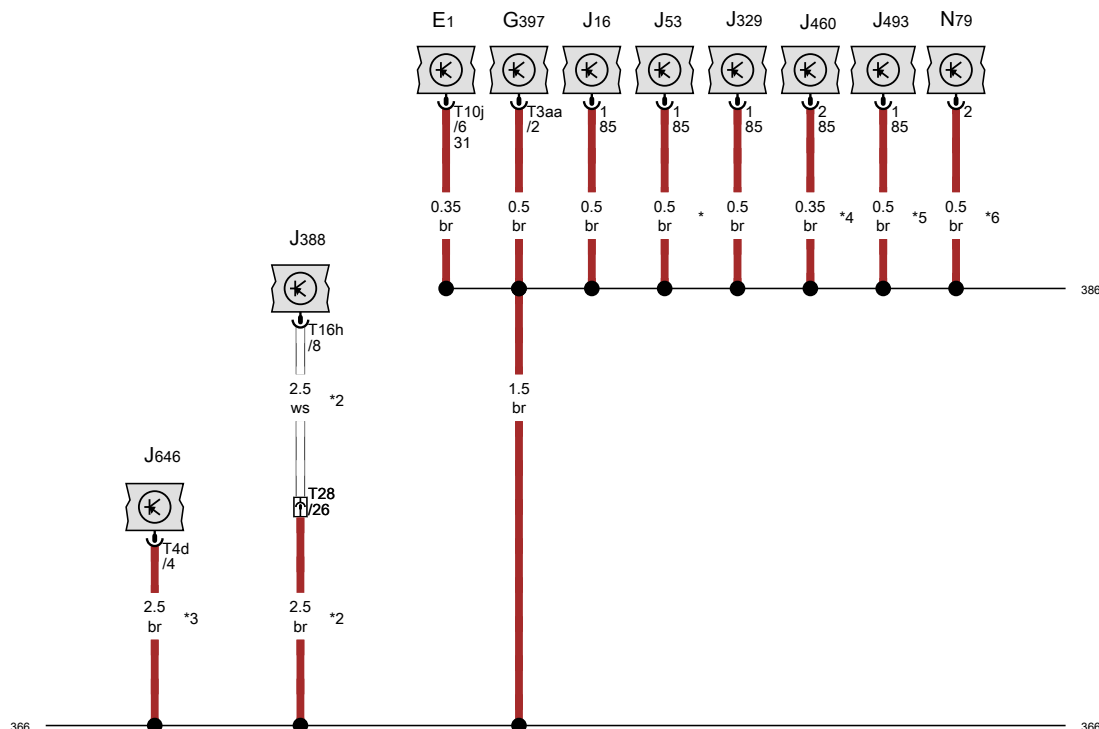
81 Earth connection 1, in dash panel wiring harness

366 Earth connection 1, in main wiring harness

605 Earth point, on top end of steering column

- * For left-hand drive models
- *2 For right-hand drive models
- *3 For models with no air conditioning system/Climatronic

- ws = white
- sw = black
- ro = red
- rt = red
- br = brown
- gn = green
- bl = blue
- gr = grey
- li = purple
- vi = purple
- ge = yellow
- or = orange
- rs = pink



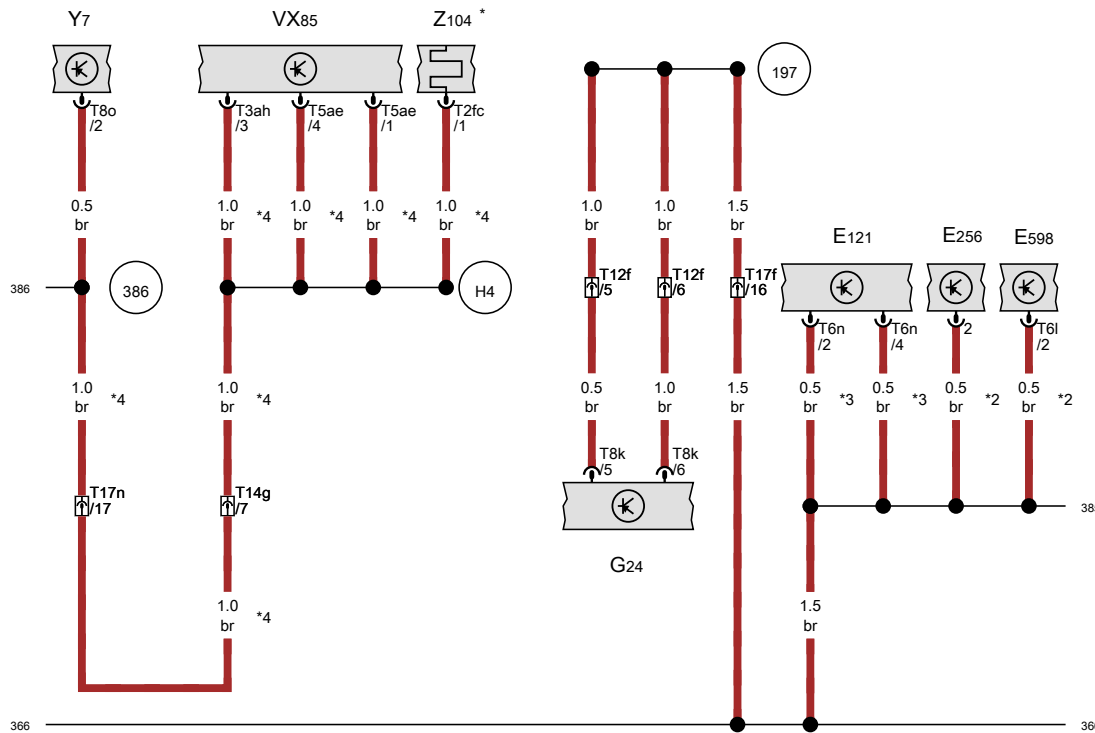
Light switch, Rain and light sensor, Current supply relay, Starter motor relay, Terminal 15 voltage supply relay, Rear left door control unit, Alarm system relay 1, Auxiliary coolant heater relay, Transfer box control unit, Heater element for crankcase breather

- E1 Light switch
- G397 Rain and light sensor
- J16 Current supply relay
- J53 Starter motor relay
- J329 Terminal 15 voltage supply relay
- J388 Rear left door control unit
- J460 Alarm system relay 1
- J493 Auxiliary coolant heater relay
- J646 Transfer box control unit
- N79 Heater element for crankcase breather
- T3aa 3-pin connector, black
- T4d 4-pin connector, brown
- T10j 10-pin connector, black
- T16h 16-pin connector, black
- T28 28-pin connector, black, on left B-pillar

- 366 Earth connection 1, in main wiring harness
- 386 Earth connection 21, in main wiring harness

- * For models with no start/stop system
- *2 For models with double cab
- *3 For models with all-wheel drive
- *4 For models with no alarm horn
- *5 see applicable current flow diagram for air conditioning
- *6 For models with crankcase breather heater element

- ws = white
- sw = black
- ro = red
- rt = red
- br = brown
- gn = green
- bl = blue
- gr = grey
- li = purple
- vi = purple
- ge = yellow
- or = orange
- rs = pink



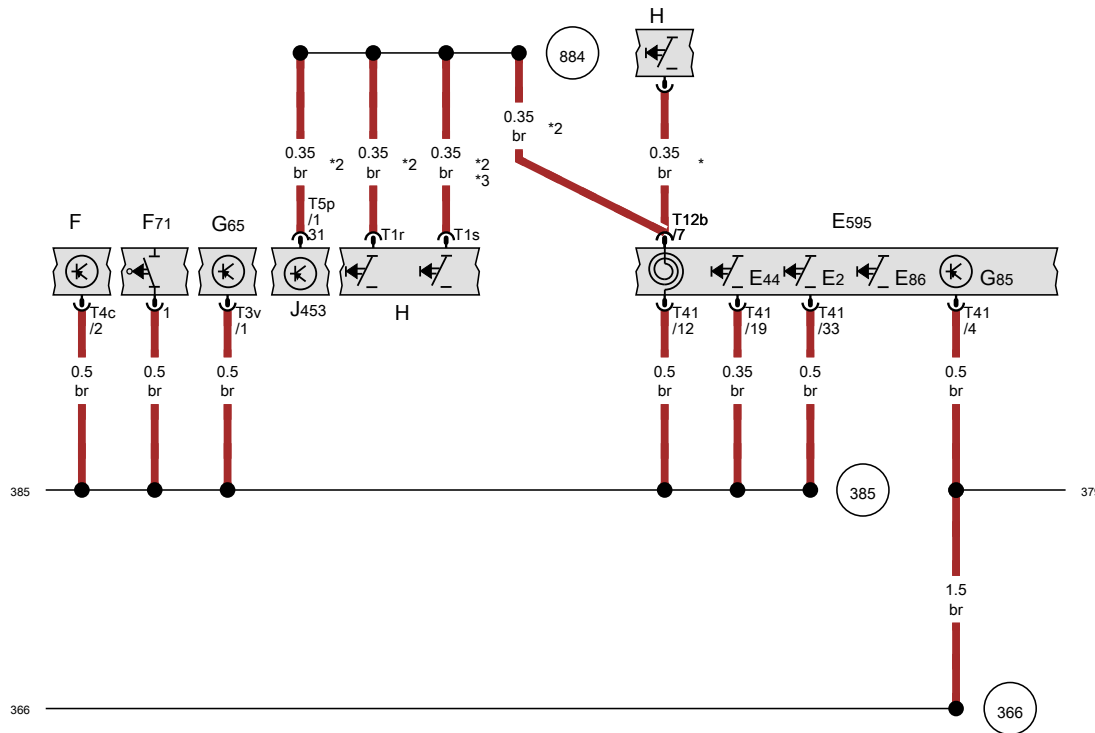
Rear differential lock switch, Button for TCS and electronic stabilisation program, Driving program button, Tachograph, Reducing agent tank, Automatic anti-dazzle interior mirror, Heater for reducing agent line (heater circuit 2)

- E121 Rear differential lock switch, in centre console
- E256 Button for TCS and electronic stabilisation program
- E598 Driving program button
- G24 Tachograph
- T2fc 2-pin connector, black
- T3ah 3-pin connector, black
- T5ae 5-pin connector, black
- T6l 6-pin connector, red
- T6n 6-pin connector, brown
- T8k 8-pin connector, colourless
- T8o 8-pin connector, black
- T12f 12-pin connector, black, near handbrake lever
- T14g 14-pin connector, grey, rear
- T17f 17-pin connector, blue, near handbrake lever
- T17n 17-pin connector, green, near handbrake lever
- VX85 Reducing agent tank
- Y7 Automatic anti-dazzle interior mirror, on interior mirror
- Z104 Heater for reducing agent line (heater circuit 2)

- 197 Earth connection 4, in rear wiring harness
- 366 Earth connection 1, in main wiring harness
- 385 Earth connection 20, in main wiring harness
- 386 Earth connection 21, in main wiring harness
- H4 Connection 2 in wiring harness for reducing agent tank

- * Pre-wired component
- *2 According to equipment
- *3 For models with rear differential lock
- *4 For models with 3.0l engine

- ws = white
- sw = black
- ro = red
- rt = red
- br = brown
- gn = green
- bl = blue
- gr = grey
- li = purple
- vi = purple
- ge = yellow
- or = orange
- rs = pink



Turn signal switch, Washer pump switch (automatic wash/wipe and headlight washer system), Multifunction display call-up button, Steering column combination switch, Brake light switch, Clutch pedal switch for stop/start system, High-pressure sender, Steering angle sender, Horn plate, Multifunction steering wheel control unit

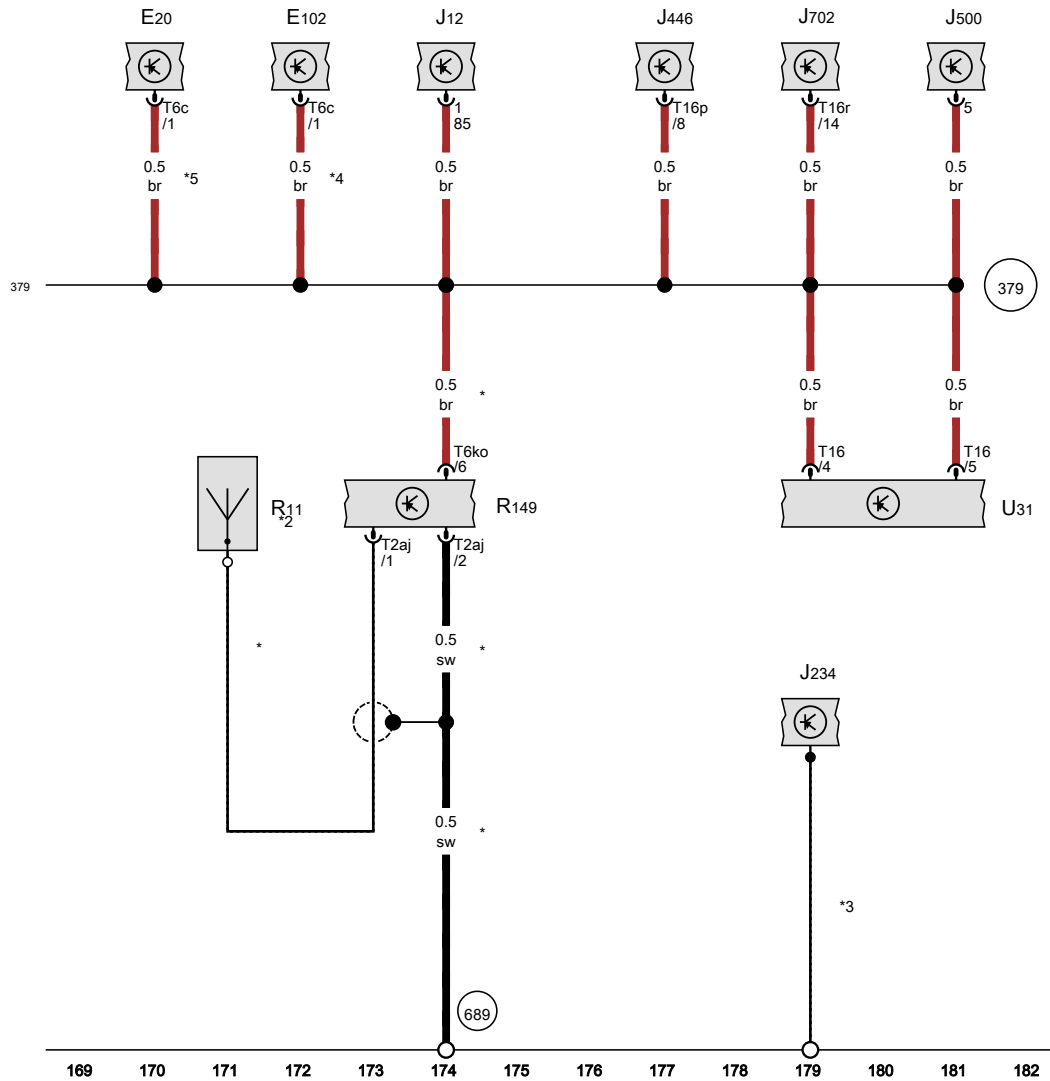
- E2 Turn signal switch
- E44 Washer pump switch (automatic wash/wipe and headlight washer system)
- E86 Multifunction display call-up button
- E595 Steering column combination switch
- F Brake light switch
- F71 Clutch pedal switch for stop/start system
- G65 High-pressure sender
- G85 Steering angle sender
- H Horn plate
- J453 Multifunction steering wheel control unit
- T1r 1-pin connector, black
- T1s 1-pin connector, black
- T3v 3-pin connector, black
- T4c 4-pin connector, black
- T5p 5-pin connector, black
- T12b 12-pin connector, yellow
- T41 41-pin connector, grey

- 366 Earth connection 1, in main wiring harness
- 379 Earth connection 14, in main wiring harness
- 385 Earth connection 20, in main wiring harness
- 884 Earth connection 1 in steering wheel wiring harness

- * For models with no multifunction steering wheel
- *2 For models with multifunction steering wheel
- *3 According to equipment

- ws = white
- sw = black
- ro = red
- rt = red
- br = brown
- gn = green
- bl = blue
- gr = grey
- li = purple
- vi = purple
- ge = yellow
- or = orange
- rs = pink

Switch and instrument illumination regulator, Headlight range control regulator, Headlight main beam relay, Airbag control unit, Parking aid control unit, Power steering control unit, Roof display unit, Aerial, Remote control receiver for auxiliary coolant heater, Diagnostic connection



- E20 Switch and instrument illumination regulator
- E102 Headlight range control regulator
- J12 Headlight main beam relay
- J234 Airbag control unit, under centre console
- J446 Parking aid control unit, lower part of A-pillar, front passenger side
- J500 Power steering control unit
- J702 Roof display unit, near interior mirror
- R11 Aerial, behind right A-pillar trim
- R149 Remote control receiver for auxiliary coolant heater
- T2aj 2-pin connector, light brown
- T6c 6-pin connector, black
- T6ko 6-pin connector, blue
- T16 16-pin connector, black
- T16p 16-pin connector, brown
- T16r 16-pin connector, black
- U31 Diagnostic connection, near lower part of right A-pillar

379 Earth connection 14, in main wiring harness

689 Earth point, at front, central in roof

- * For models with remote control receiver for auxiliary coolant heater
- *2 Wiring open end
- *3 Earth supply via housing
- *4 For models with headlight range control
- *5 For models with dimmable instrument illumination

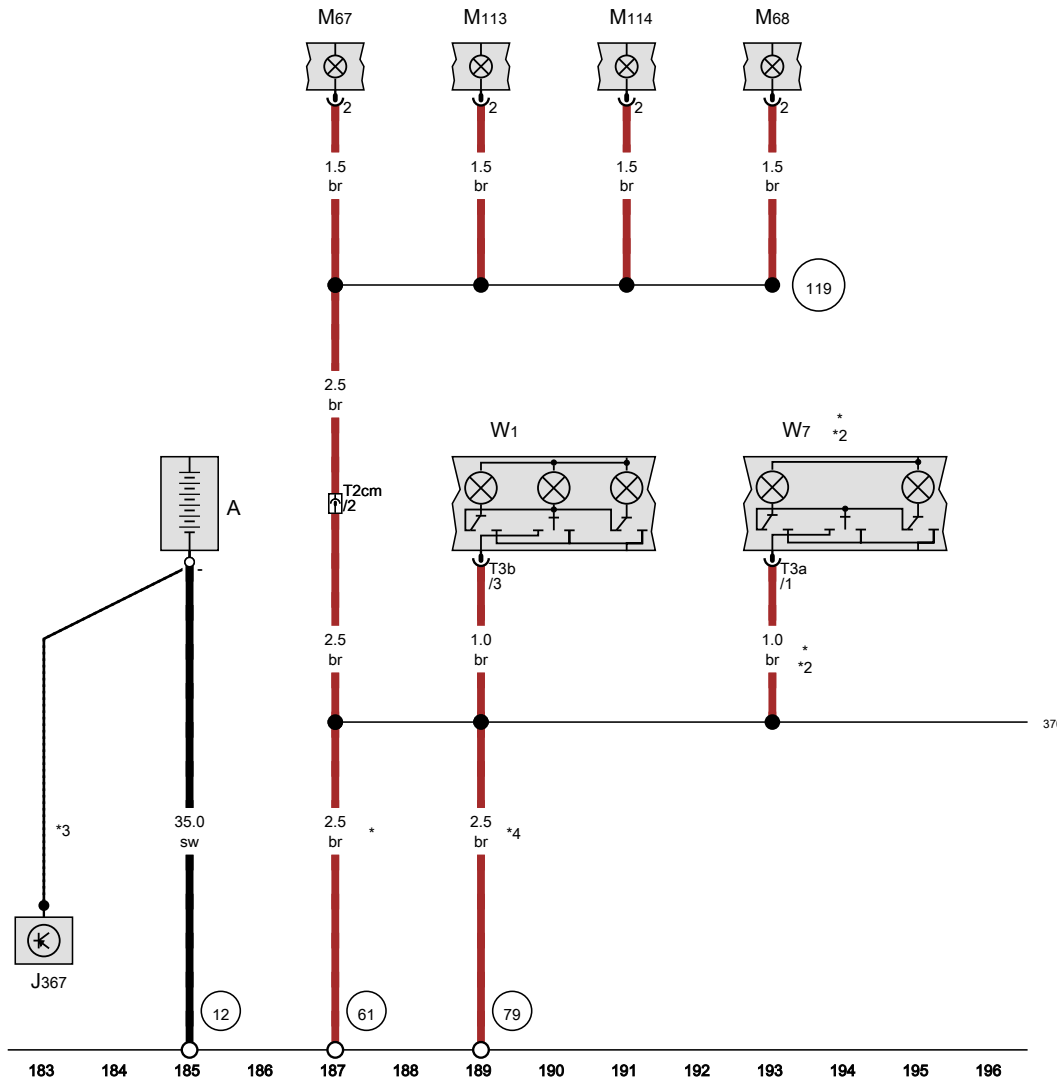
- ws = white
- sw = black
- ro = red
- rt = red
- br = brown
- gn = green
- bl = blue
- gr = grey
- li = purple
- vi = purple
- ge = yellow
- or = orange
- rs = pink

1560-0471402191

Battery, Battery monitor control unit, Left additional main beam bulb, Right additional main beam bulb, Centre left additional main beam bulb, Centre right additional main beam bulb, Front interior light, Centre interior light

- A Battery
- J367 Battery monitor control unit
- M67 Left additional main beam bulb
- M68 Right additional main beam beam bulb
- M113 Centre left additional main beam bulb
- M114 Centre right additional main beam bulb
- T2cm 2-pin connector, black
- T3a 3-pin connector, black
- T3b 3-pin connector, black
- W1 Front interior light
- W7 Centre interior light

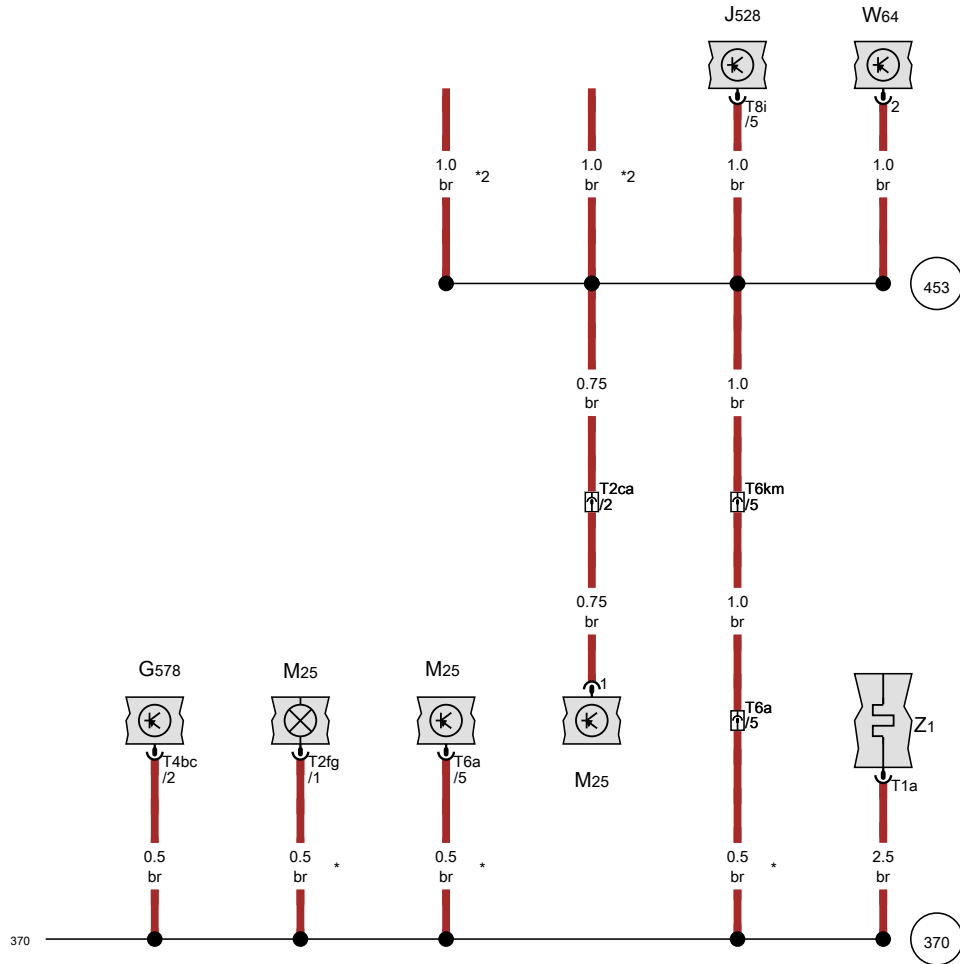
- 12 Earth point, on left in engine compartment
- 61 Earth point, left C-pillar
- 79 Earth point on left B-pillar
- 119 Earth connection 1, in headlight wiring harness
- 370 Earth connection 5, in main wiring harness
- * For models with double cab
- *2 For models with Highline equipment
- *3 For models with start/stop system
- *4 For models with single cab



- ws = white
- sw = black
- ro = red
- rt = red
- br = brown
- gn = green
- bl = blue
- gr = grey
- li = purple
- vi = purple
- ge = yellow
- or = orange
- rs = pink

[S60-047150219]

Anti-theft alarm sensor, Roof electronics control unit, High-level brake light bulb, Interior light, Heated rear window



- G578 Anti-theft alarm sensor
- J528 Roof electronics control unit, near rear lid, behind moulded headliner
- M25 High-level brake light bulb
- T1a 1-pin connector, black
- T2ca 2-pin connector, black, Coupling point for rear lid
- T2fg 2-pin connector, black
- T4bc 4-pin connector, brown
- T6a 6-pin connector, black, on rear roof module
- T6km 6-pin connector, black, near rear lid, behind moulded headliner
- T8i 8-pin connector, black
- W64 Interior light
- Z1 Heated rear window

- 370 Earth connection 5, in main wiring harness
- 453 Earth connection 3, in optional equipment wiring harness

- * According to equipment
- *2 Wiring open end

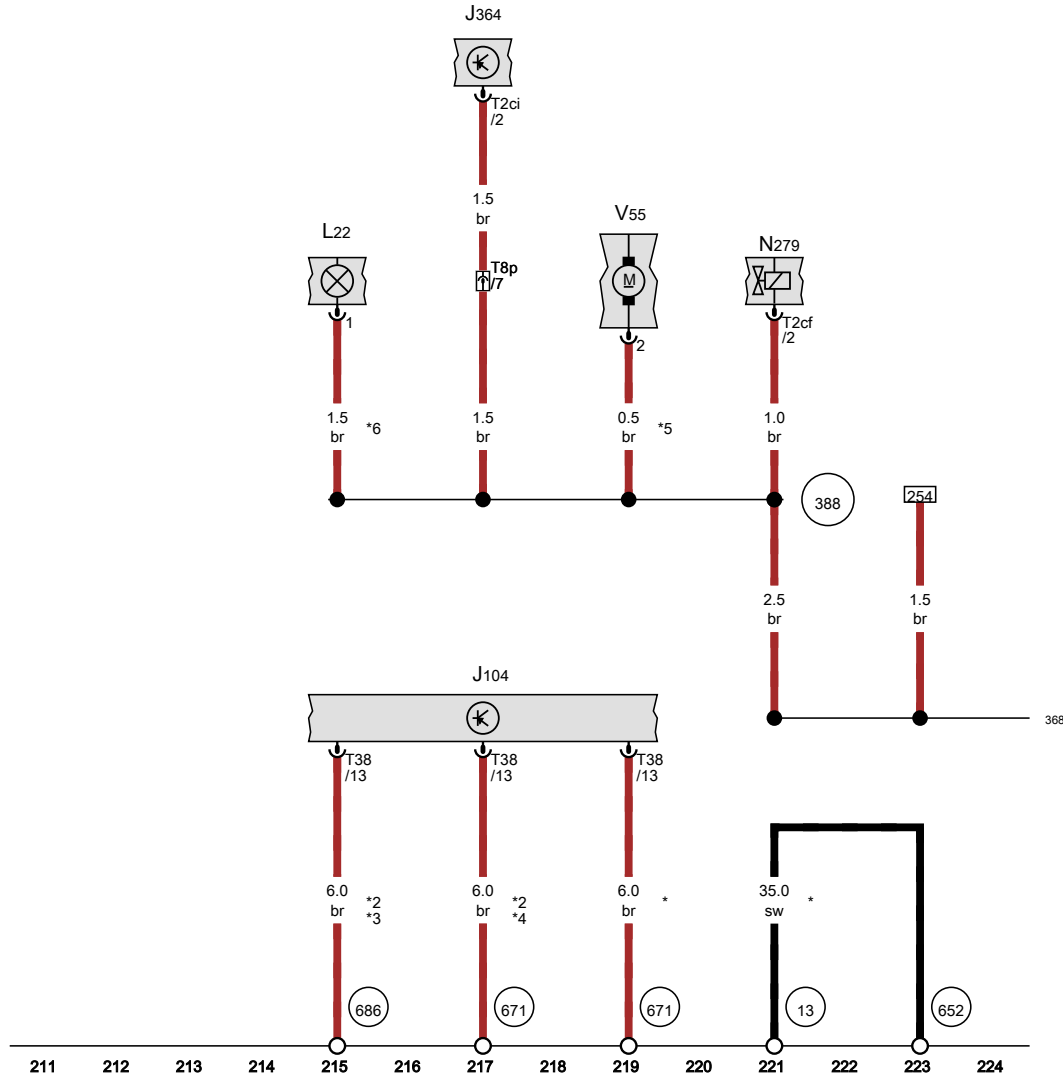
- ws = white
- sw = black
- ro = red
- rt = red
- br = brown
- gn = green
- bl = blue
- gr = grey
- li = purple
- vi = purple
- ge = yellow
- or = orange
- rs = pink

ABS control unit, Auxiliary heater control unit, Left fog light bulb, Heater coolant shut-off valve, Circulation pump

- J104 ABS control unit
- J364 Auxiliary heater control unit
- L22 Left fog light bulb
- N279 Heater coolant shut-off valve, front left in engine compartment
- T2cf 2-pin connector, black
- T2ci 2-pin connector, black
- T8p 8-pin connector, black, near battery
- T38 38-pin connector, black
- V55 Circulation pump

- 13 Earth point, on right in engine compartment
- 368 Earth connection 3, in main wiring harness
- 388 Earth connection 23, in main wiring harness
- 652 Earth point, engine and gearbox earth
- 671 Earth point 1, on front of left longitudinal member
- 686 Earth point 2, on front of right longitudinal member

- * For models with 2.0l engine
- *2 For models with 3.0l engine
- *3 For left-hand drive models
- *4 For right-hand drive models
- *5 see applicable current flow diagram for engine
- *6 For models with fog lights



- ws = white
- sw = black
- ro = red
- rt = red
- br = brown
- gn = green
- bl = blue
- gr = grey
- li = purple
- vi = purple
- ge = yellow
- or = orange
- rs = pink

[S60-047170219]

Treble horn, Radiator fan control unit, Left turn signal repeater bulb, Continued coolant circulation pump

- H2 Treble horn
- H7 Bass horn
- J293 Radiator fan control unit
- M18 Left turn signal repeater bulb
- T3e 3-pin connector, black, in rear left of engine compartment
- T3w 3-pin connector, black
- T4bh 4-pin connector, black, in rear left of engine compartment
- T4bj 4-pin connector, black, on radiator cowl
- T14c 14-pin connector, grey, near battery
- V51 Continued coolant circulation pump

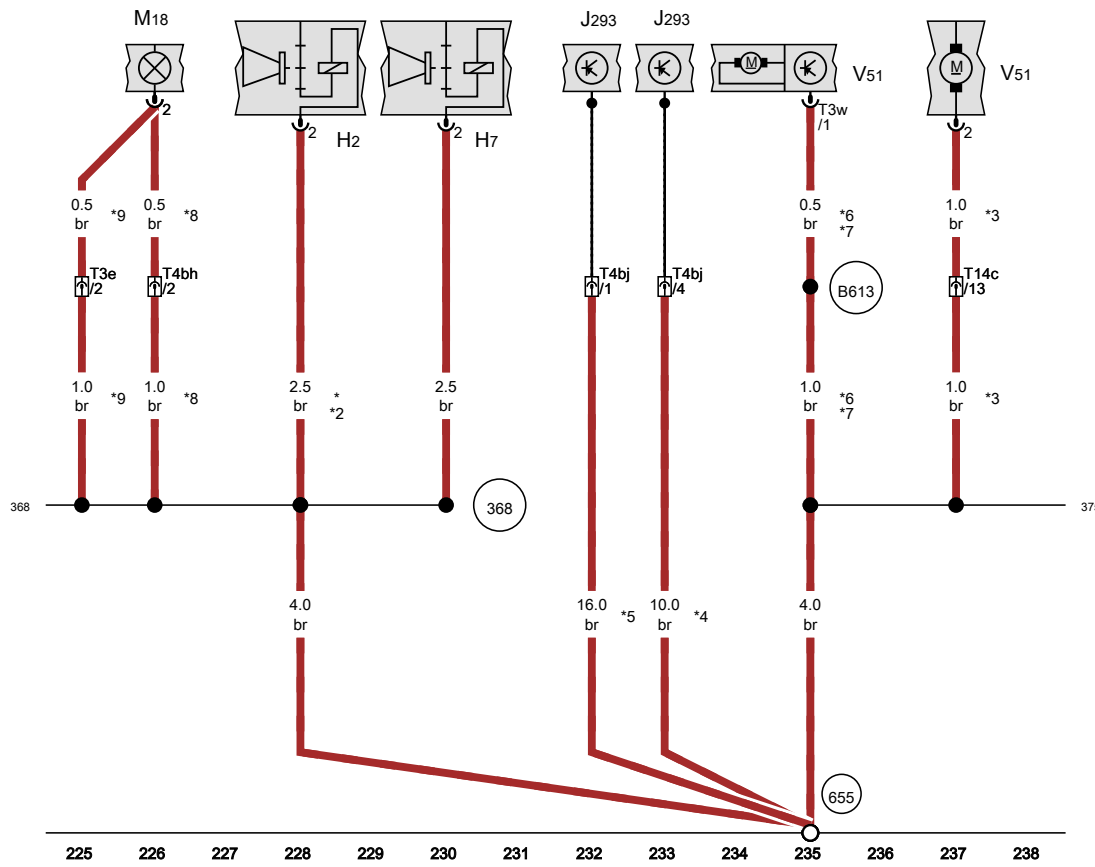
368 Earth connection 3, in main wiring harness

375 Earth connection 10, in main wiring harness

655 Earth point, on left headlight

B613 Connection 41, in main wiring harness

- * For models with Highline equipment
- *2 For models with Trendline equipment
- *3 For models with petrol engine
- *4 For models with low fan output
- *5 For models with increased fan output
- *6 For models with diesel engine
- *7 For models with Euro 5 emission standard
- *8 For models with provision for side member lighting
- *9 For models with no provision for side member lighting







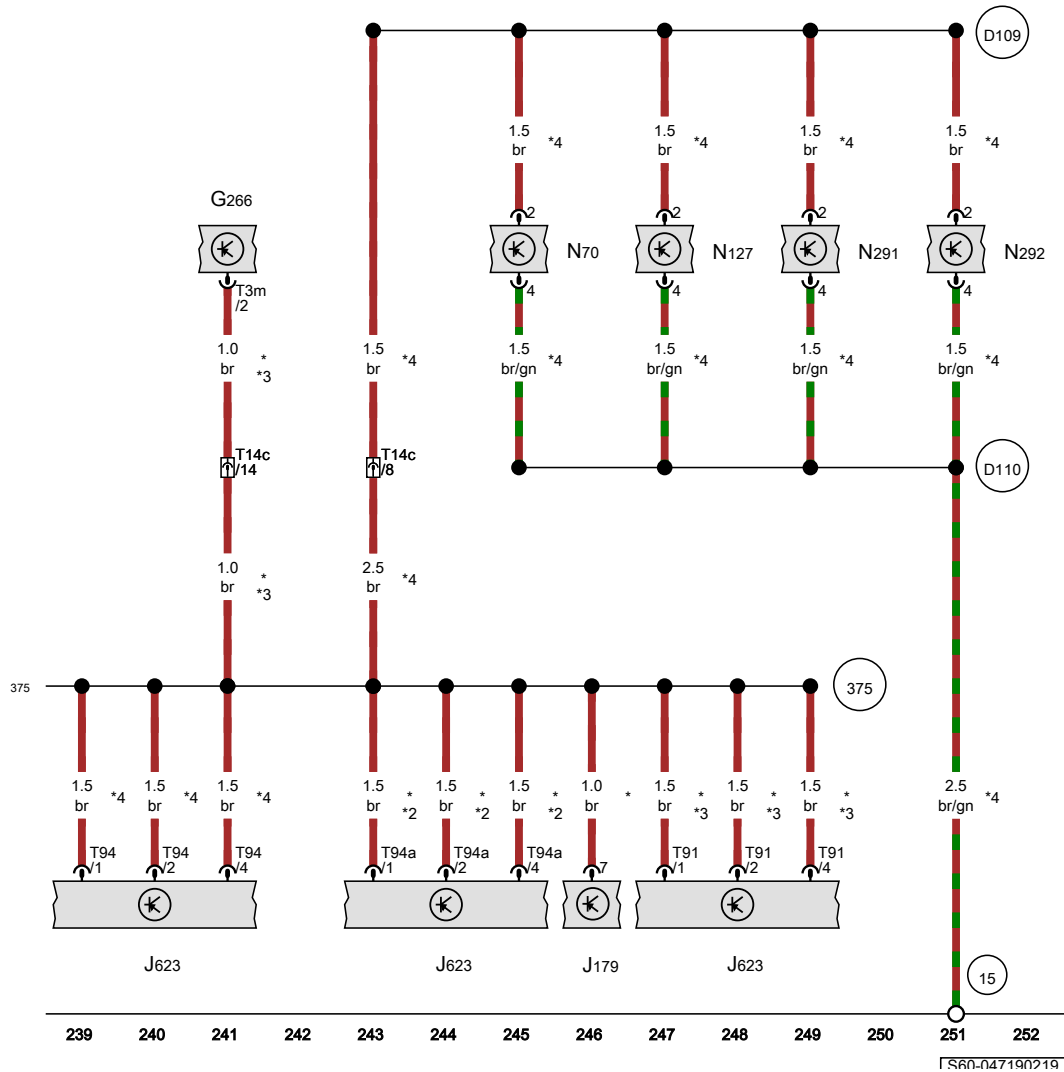
- ws = white
- sw = black
- ro = red
- rt = red
- br = brown
- gn = green
- bl = blue
- gr = grey
- li = purple
- vi = purple
- ge = yellow
- or = orange
- rs = pink

[S60-047180219]

Oil level and oil temperature sender, Automatic glow period control unit, Engine/motor control unit, Ignition coil 1 with output stage, Ignition coil 2 with output stage, Ignition coil 3 with output stage, Ignition coil 4 with output stage

- G266 Oil level and oil temperature sender
- J179 Automatic glow period control unit
- J623 Engine/motor control unit
- N70 Ignition coil 1 with output stage
- N127 Ignition coil 2 with output stage
- N291 Ignition coil 3 with output stage
- N292 Ignition coil 4 with output stage
- T3m 3-pin connector, black
- T14c 14-pin connector, grey, near battery
- T91 91-pin connector, black
- T94 94-pin connector, black
- T94a 94-pin connector, black

-  15 Earth point, on cylinder head
-  375 Earth connection 10, in main wiring harness
-  D109 Connection 7 in engine compartment wiring harness
-  D110 Connection 8 in engine compartment wiring harness
- * For models with diesel engine
- *2 For models with 2.0l engine
- *3 For models with 3.0l engine
- *4 For models with petrol engine



- ws = white
- sw = black
- ro = red
- rt = red
- br = brown
- gn = green
- bl = blue
- gr = grey
- li = purple
- vi = purple
- ge = yellow
- or = orange
- rs = pink

TS60-0471902191

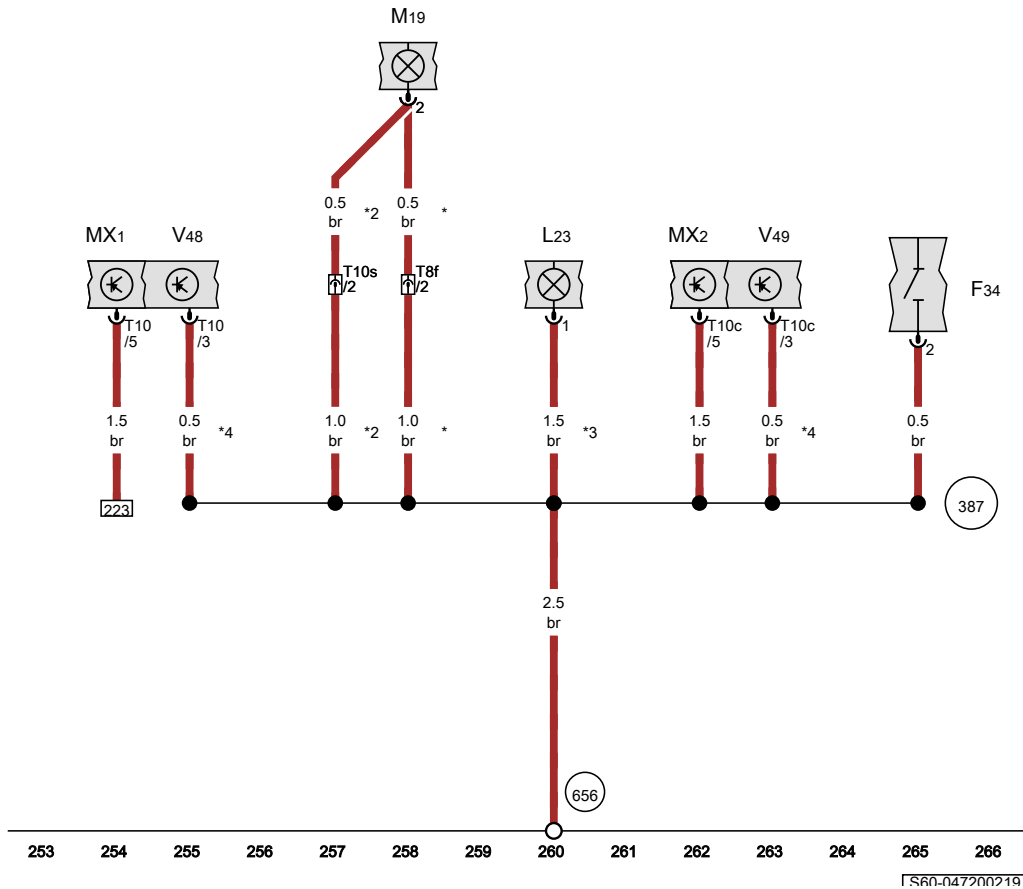
Brake fluid level warning contact, Right fog light bulb, Front left headlight, Front right headlight, Right turn signal repeater bulb, Left headlight range control motor, Right headlight range control motor

- F34 Brake fluid level warning contact
- L23 Right fog light bulb
- MX1 Front left headlight
- MX2 Front right headlight
- M19 Right turn signal repeater bulb
- T8f 8-pin connector, black, in rear right of engine compartment
- T10 10-pin connector, black
- T10c 10-pin connector, black
- T10s 10-pin connector, black, in rear right of engine compartment
- V48 Left headlight range control motor
- V49 Right headlight range control motor

387 Earth connection 22, in main wiring harness

656 Earth point, on right headlight, on right on bulkhead

- * For models with no provision for side member lighting
- *2 For models with provision for side member lighting
- *3 For models with fog lights
- *4 For models with headlight range control



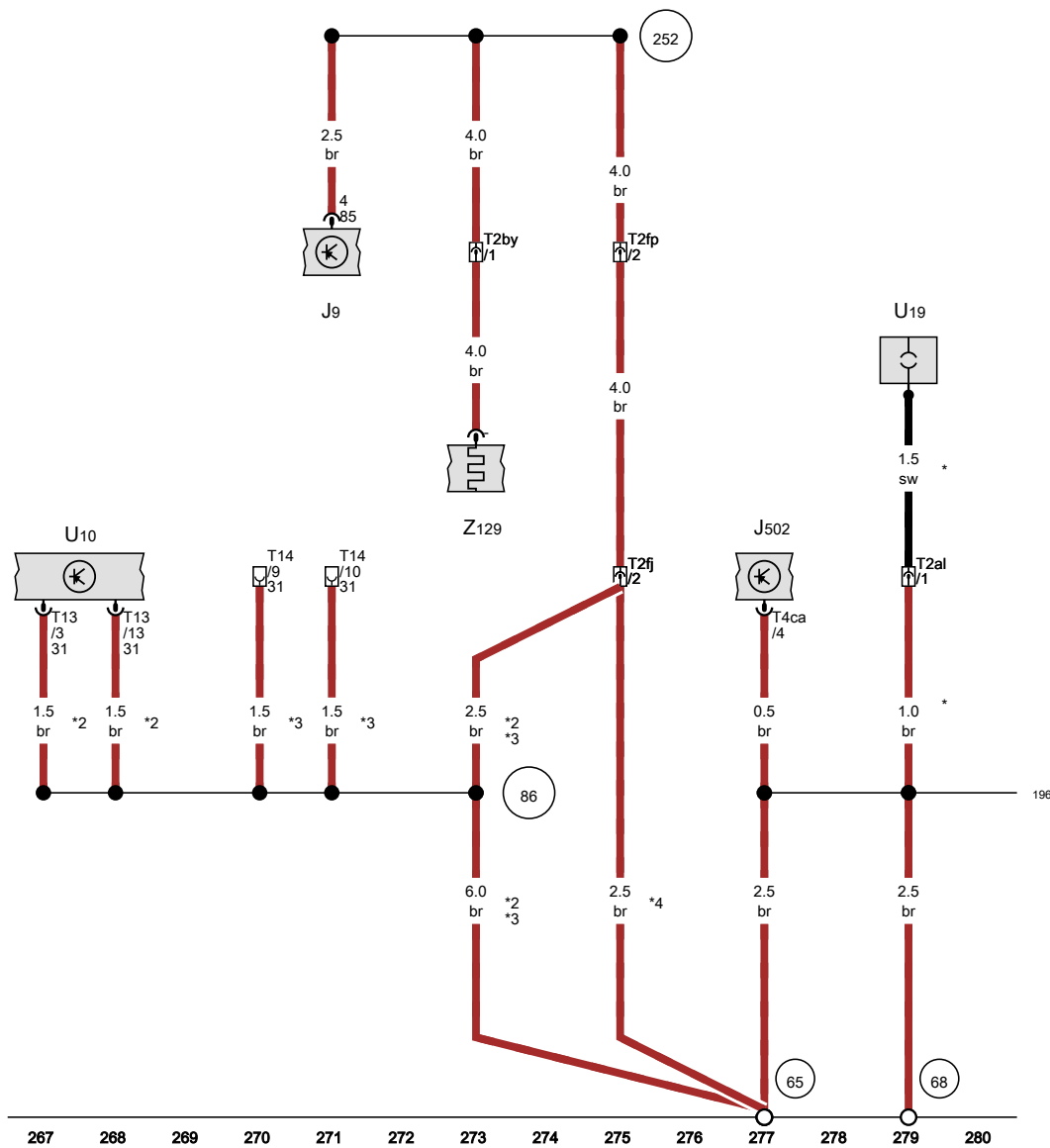
- ws = white
- sw = black
- ro = red
- rt = red
- br = brown
- gn = green
- bl = blue
- gr = grey
- li = purple
- vi = purple
- ge = yellow
- or = orange
- rs = pink

[S60-047200219]

Heated rear window relay, Tyre Pressure Monitoring System control unit, 14-pin connector, Trailer socket, 12 V socket 3, Heated rear window for hardtop

- J9 Heated rear window relay, near rear lid, behind moulded headliner
- J502 Tyre Pressure Monitoring System control unit
- T2al 2-pin connector, black, Interface for rear left socket, on wheel housing
- T2by 2-pin connector, black, Coupling point for rear lid
- T2fj 2-pin connector, brown, on cross panel, rear, left
- T2fp 2-pin connector, black, in rear part of roof, left
- T4ca 4-pin connector, grey
- T13 13-pin connector, black, on rear skirt
- T14 14-pin connector, black, behind rear bumper on left
- U10 Trailer socket
- U19 12 V socket 3, on left wheel housing
- Z129 Heated rear window for hardtop, in rear lid

- 65 Earth point, on rear of left longitudinal member
 - 68 Earth point, on left of rear cross member
 - 86 Earth connection 1, in rear wiring harness
 - 196 Earth connection 3, in rear wiring harness
 - 252 Earth connection, in optional equipment wiring harness
- * For models with 12 V socket
 *2 For models with trailer socket
 *3 For models with preparation for trailer coupling
 *4 For models with no towing bracket



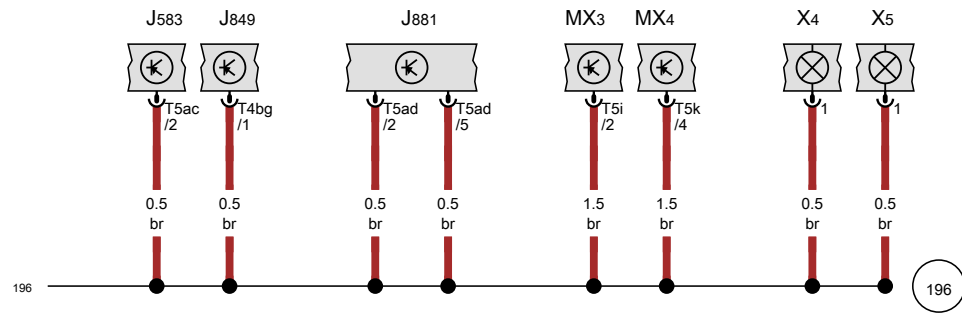
- ws = white
- sw = black
- ro = red
- rt = red
- br = brown
- gn = green
- bl = blue
- gr = grey
- li = purple
- vi = purple
- ge = yellow
- or = orange
- rs = pink

[S60-047210219]

Control unit for NOx sender, Control unit for sensor electronics, Control unit for NOx sender 2, Left tail light cluster, Right tail light cluster, Left number plate light, Right number plate light

- J583 Control unit for NOx sender
- J849 Control unit for sensor electronics
- J881 Control unit for NOx sender 2
- MX3 Left tail light cluster
- MX4 Right tail light cluster
- T4bg 4-pin connector, black
- T5ac 5-pin connector, black
- T5ad 5-pin connector, black
- T5i 5-pin connector, black
- T5k 5-pin connector, black
- X4 Left number plate light
- X5 Right number plate light

196 Earth connection 3, in rear wiring harness



- ws = white
- sw = black
- ro = red
- rt = red
- br = brown
- gn = green
- bl = blue
- gr = grey
- li = purple
- vi = purple
- ge = yellow
- or = orange
- rs = pink

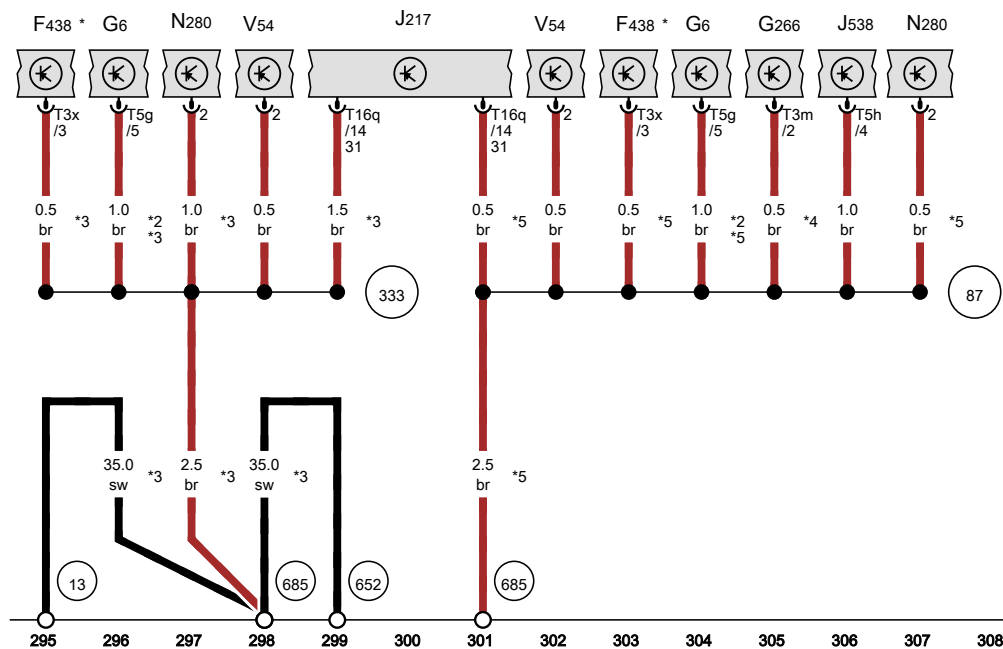
281 282 283 284 285 286 287 288 289 290 291 292 293 294

[S60-047220219]

Transfer box inter-axle lock-up switch, Fuel system pressurisation pump, Oil level and oil temperature sender, Automatic gearbox control unit, Fuel pump control unit, Air conditioner compressor regulating valve, Metering pump

- F438 Transfer box inter-axle lock-up switch
- G6 Fuel system pressurisation pump
- G266 Oil level and oil temperature sender
- J217 Automatic gearbox control unit
- J538 Fuel pump control unit, on fuel tank
- N280 Air conditioner compressor regulating valve
- T3m 3-pin connector, black
- T3x 3-pin connector, black
- T5g 5-pin connector, black
- T5h 5-pin connector, black
- T16q 16-pin connector, black
- V54 Metering pump

- 13 Earth point, on right in engine compartment
- 87 Earth connection 2, in rear wiring harness
- 333 Earth connection 5, in rear wiring harness
- 652 Earth point, engine and gearbox earth
- 685 Earth point 1, on front of right longitudinal member

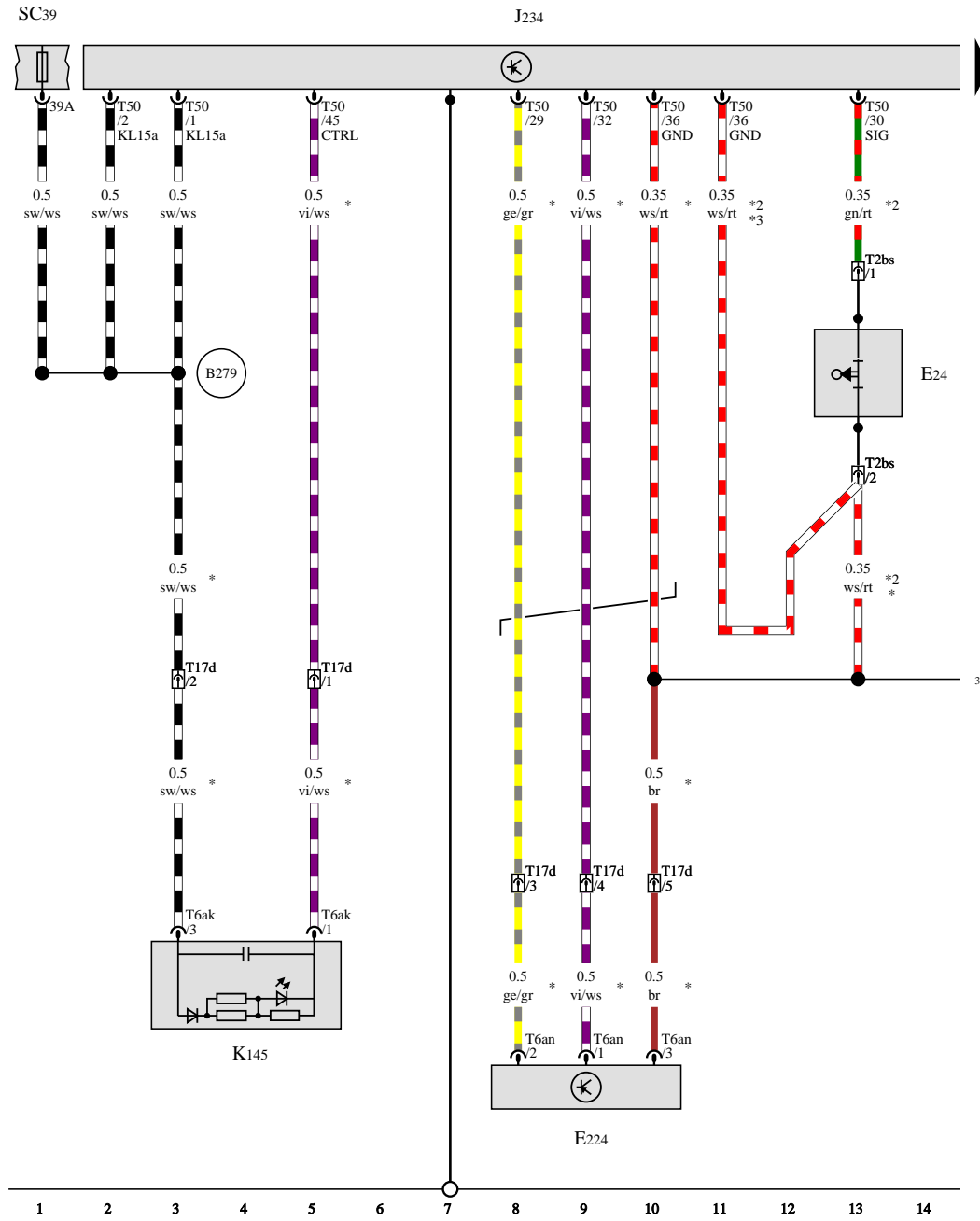


1S6N-0472302191

- ws = white
- sw = black
- ro = red
- rt = red
- br = brown
- gn = green
- bl = blue
- gr = grey
- li = purple
- vi = purple
- ge = yellow
- or = orange
- rs = pink

Airbag systems , (L0L),(NZ3)

From March 2017



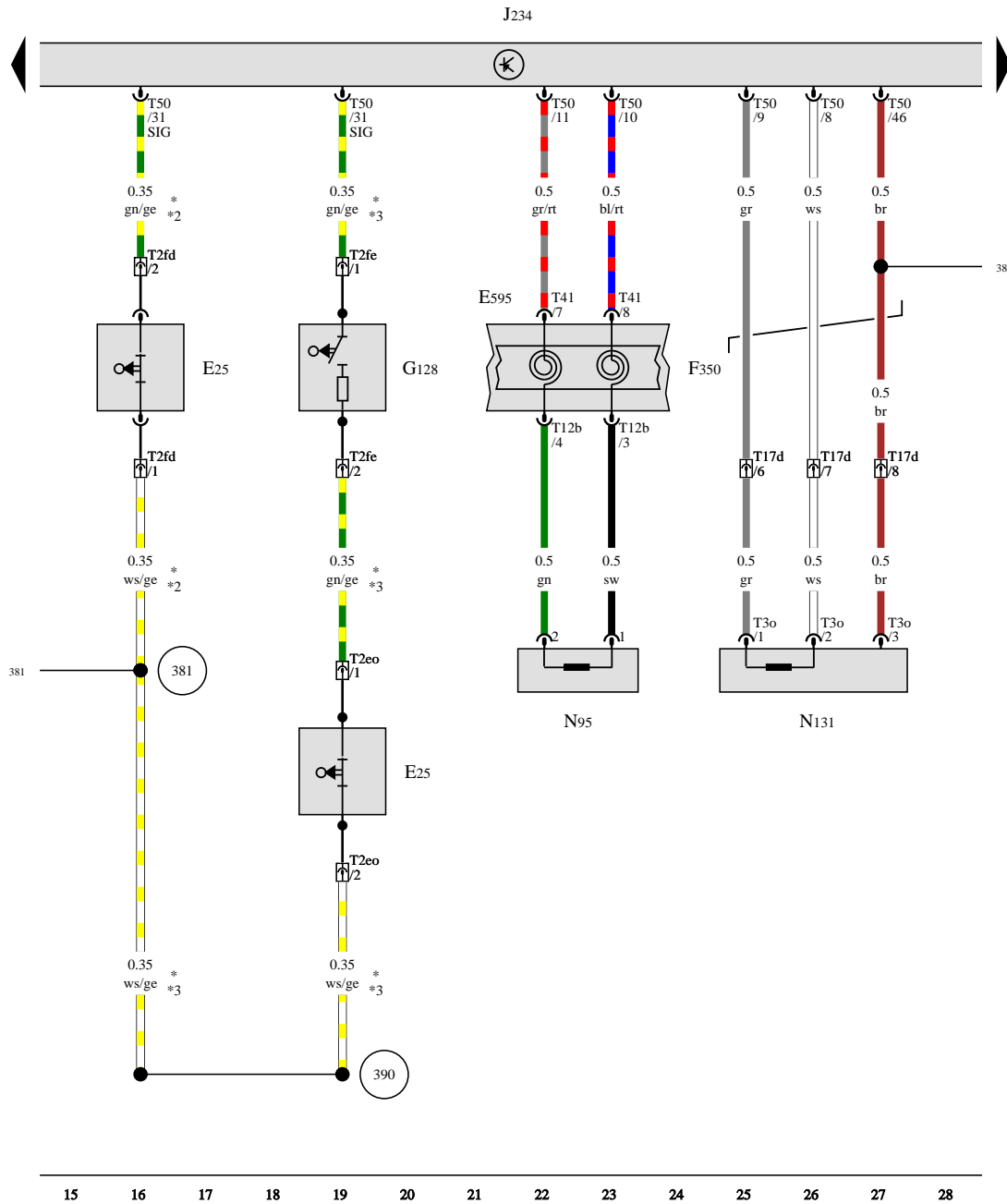
Driver side belt switch, Key-operated switch to deactivate airbag on front passenger side, Airbag control unit, Warning lamp for airbag deactivated on front passenger side, Fuse 39 on fuse holder C

- E24 Driver side belt switch
- E224 Key-operated switch to deactivate airbag on front passenger side
- J234 Airbag control unit, under centre console
- K145 Warning lamp for airbag deactivated on front passenger side
- SC39 Fuse 39 on fuse holder C
- T2bs 2-pin connector, black, under driver seat
- T6ak 6-pin connector, brown
- T6an 6-pin connector, yellow
- T17d 17-pin connector, green, behind dash panel
- T50 50-pin connector, yellow

- 381 Earth connection 16, in main wiring harness
- B279 Positive connection 3 (15a) in main wiring harness
- * For models with key-operated switch to deactivate front passenger airbag
- *2 For models with belt switch
- *3 For models with no key-operated switch to deactivate front passenger airbag

- ws = white
- sw = black
- ro = red
- rt = red
- br = brown
- gn = green
- bl = blue
- gr = grey
- li = purple
- vi = purple
- ge = yellow
- or = orange
- rs = pink

S60-048070371



Front passenger side belt switch, Steering column combination switch, Coil connector, Seat occupied sensor on front passenger side, Airbag control unit, Airbag igniter on driver side, Airbag igniter 1 on front passenger side

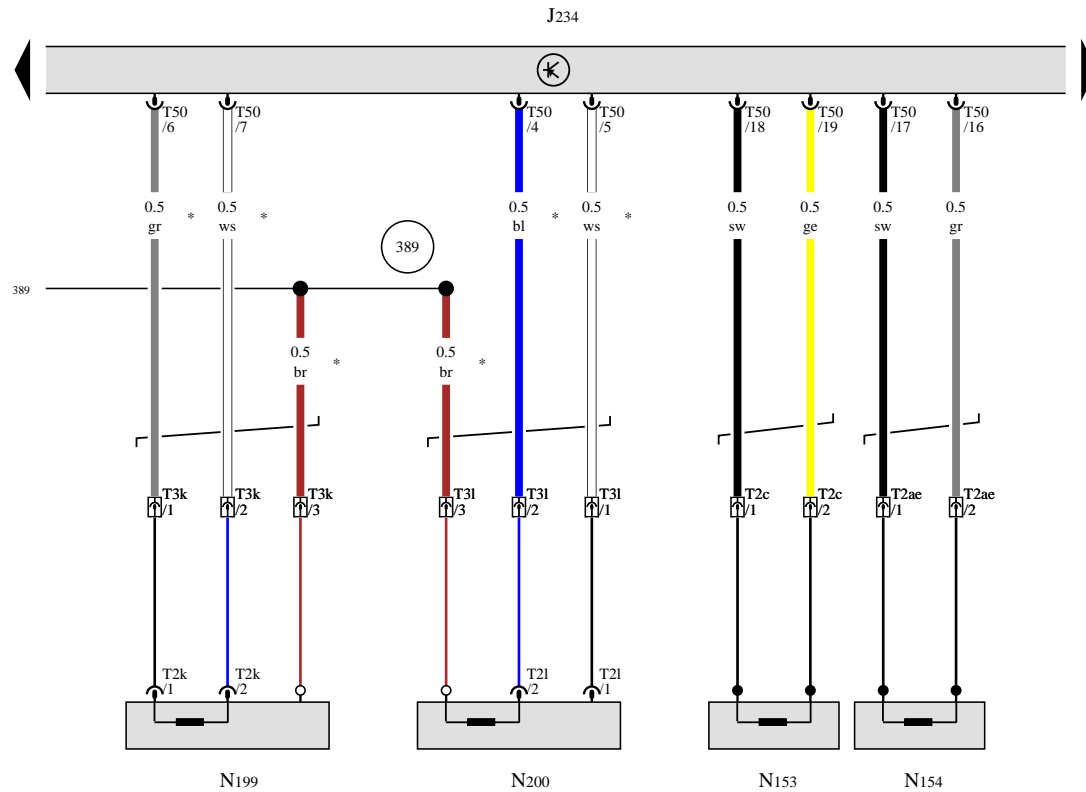
- E25 Front passenger side belt switch
- E595 Steering column combination switch
- F350 Coil connector
- G128 Seat occupied sensor on front passenger side
- J234 Airbag control unit, under centre console
- N95 Airbag igniter on driver side
- N131 Airbag igniter 1 on front passenger side
- T2eo 2-pin connector, black, under front passenger seat
- T2fd 2-pin connector, black, under front passenger seat
- T2fe 2-pin connector, blue, under front passenger seat
- T3o 3-pin connector, yellow
- T12b 12-pin connector, yellow
- T17d 17-pin connector, green, behind dash panel
- T41 41-pin connector, grey
- T50 50-pin connector, yellow

- 381 Earth connection 16, in main wiring harness
- 389 Earth connection 24, in main wiring harness
- 390 Earth connection 25, in main wiring harness

- * For models with belt switch
- *2 For models with seat adjustment
- *3 For models with no adjustable seats

- ws = white
- sw = black
- ro = red
- rt = red
- br = brown
- gn = green
- bl = blue
- gr = grey
- li = purple
- vi = purple
- ge = yellow
- or = orange
- rs = pink

S6L-048030371



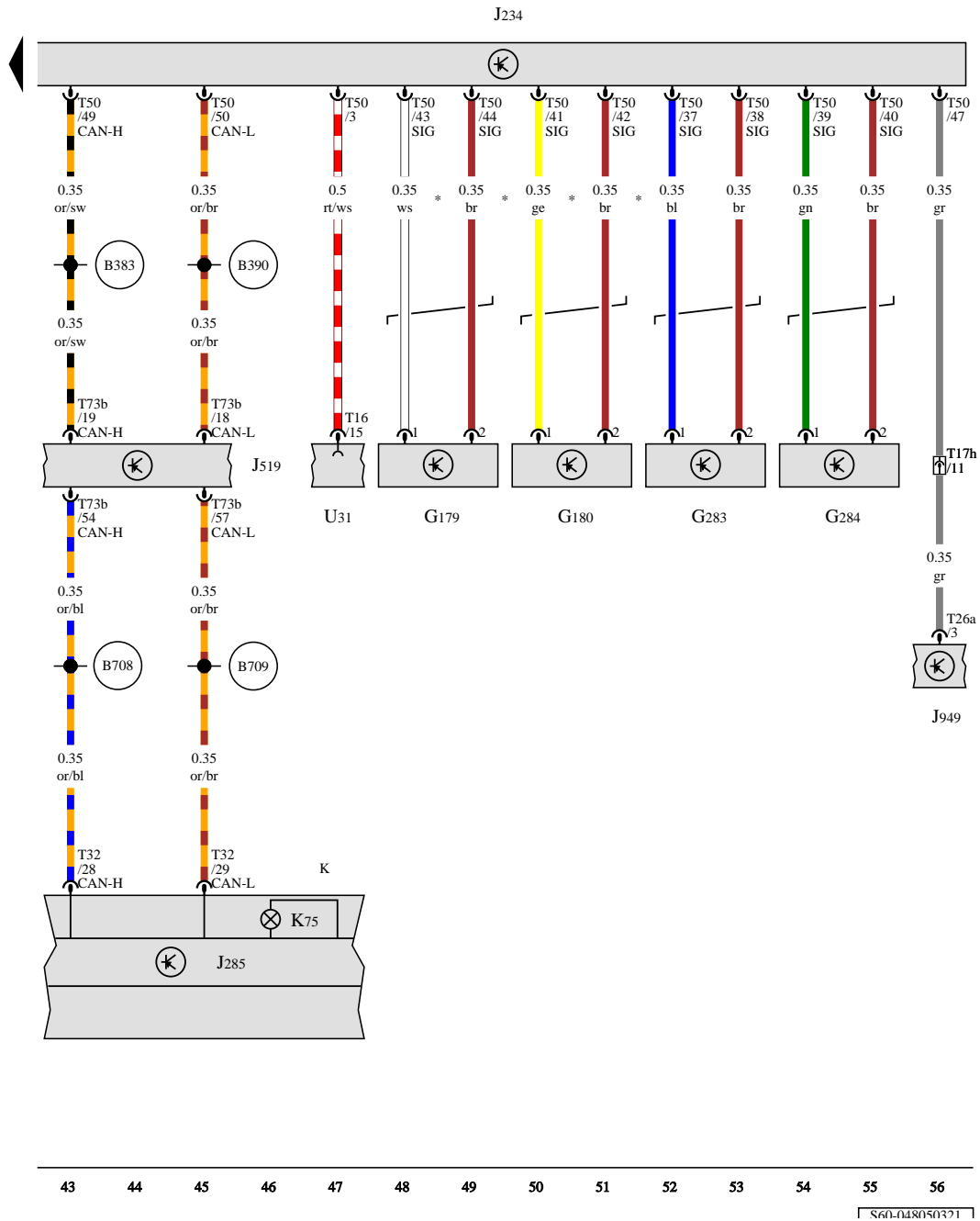
Airbag control unit, Driver seat belt tensioner igniter 1, Front passenger seat belt tensioner igniter 1, Side airbag igniter on driver side, Side airbag igniter on front passenger side

- J234 Airbag control unit, under centre console
- N153 Driver seat belt tensioner igniter 1
- N154 Front passenger seat belt tensioner igniter 1
- N199 Side airbag igniter on driver side
- N200 Side airbag igniter on front passenger side
- T2ae 2-pin connector, yellow
- T2c 2-pin connector, yellow
- T2k 2-pin connector, yellow
- T2l 2-pin connector, yellow
- T3k 3-pin connector, yellow, under driver seat
- T3l 3-pin connector, yellow, under front passenger seat
- T50 50-pin connector, yellow

389 Earth connection 24, in main wiring harness

* For models with front head-thorax airbag

- ws = white
- sw = black
- ro = red
- rt = red
- br = brown
- gn = green
- bl = blue
- gr = grey
- li = purple
- vi = purple
- ge = yellow
- or = orange
- rs = pink



Side airbag crash sensor on driver side, Side airbag crash sensor on front passenger side, Front airbag crash sensor for driver side, Front airbag crash sensor for front passenger side, Airbag control unit, Onboard supply control unit, Emergency call module control unit and communication unit, Dash panel insert, Diagnostic connection

- G179 Side airbag crash sensor on driver side, on left B-pillar
- G180 Side airbag crash sensor on front passenger side, on right B-pillar
- G283 Front airbag crash sensor for driver side, near left headlight
- G284 Front airbag crash sensor for front passenger side, near right headlight
- J234 Airbag control unit, under centre console
- J285 Control unit in dash panel insert
- J519 Onboard supply control unit
- J949 Emergency call module control unit and communication unit
- K Dash panel insert
- K75 Airbag warning lamp
- T16 16-pin connector, black
- T17h 17-pin connector, blue, behind dash panel
- T26a 26-pin connector, black
- T32 32-pin connector, blue
- T50 50-pin connector, yellow
- T73b 73-pin connector, colourless
- U31 Diagnostic connection

- Connection 1 (powertrain CAN bus, high), in main wiring harness
- Connection 1 (powertrain CAN bus, low), in main wiring harness
- Connection 1 (dash panel insert CAN bus high) in main wiring harness
- Connection 1 (dash panel insert CAN bus low) in main wiring harness

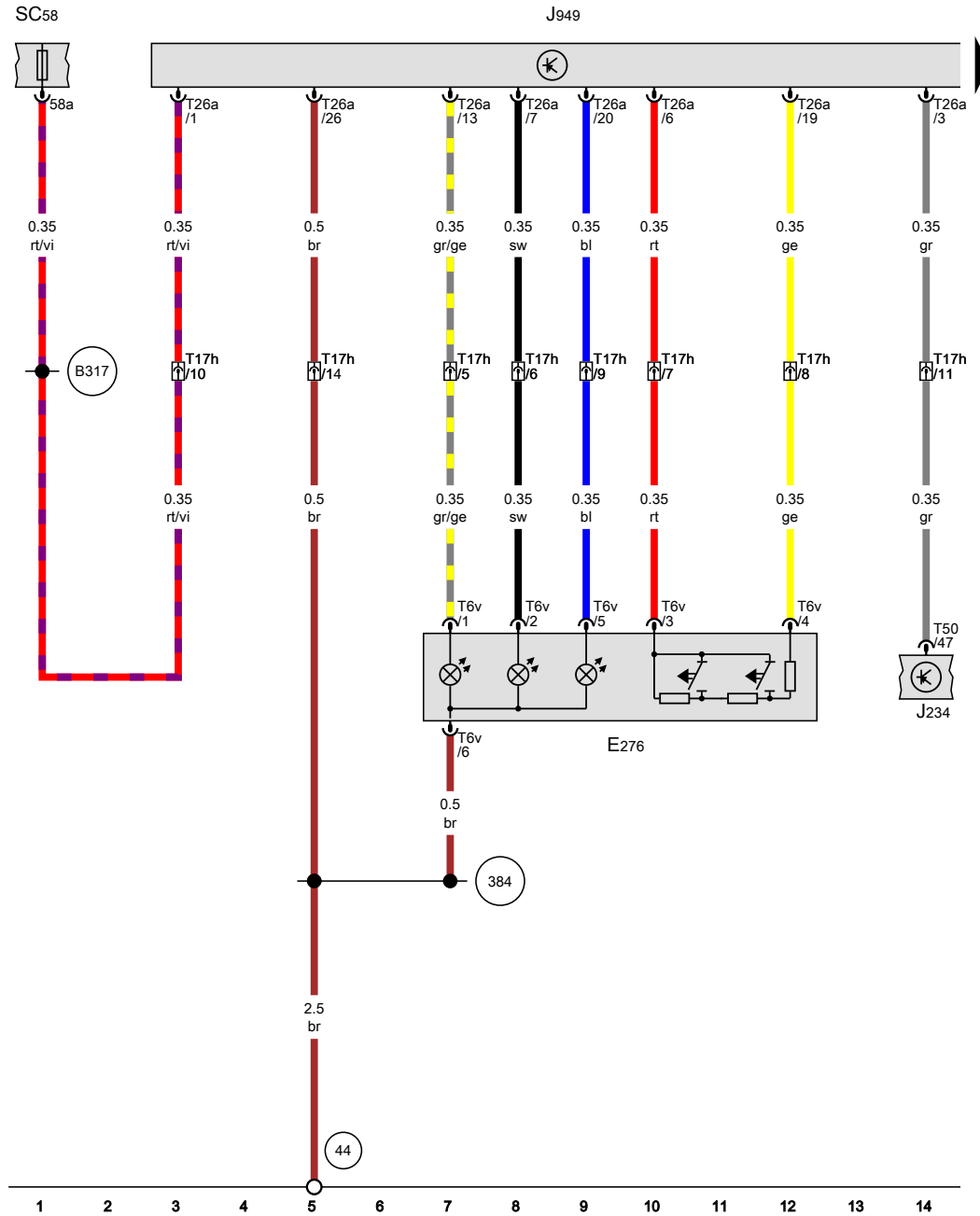
* For models with front head-thorax airbag

- ws = white
- sw = black
- ro = red
- rt = red
- br = brown
- gn = green
- bl = blue
- gr = grey
- li = purple
- vi = purple
- ge = yellow
- or = orange
- rs = pink

□ S60.048050371

Emergency call module , (NZ3)

From January 2017



Emergency assistance call button, Airbag control unit, Emergency call module control unit and communication unit, Fuse 58 on fuse holder C

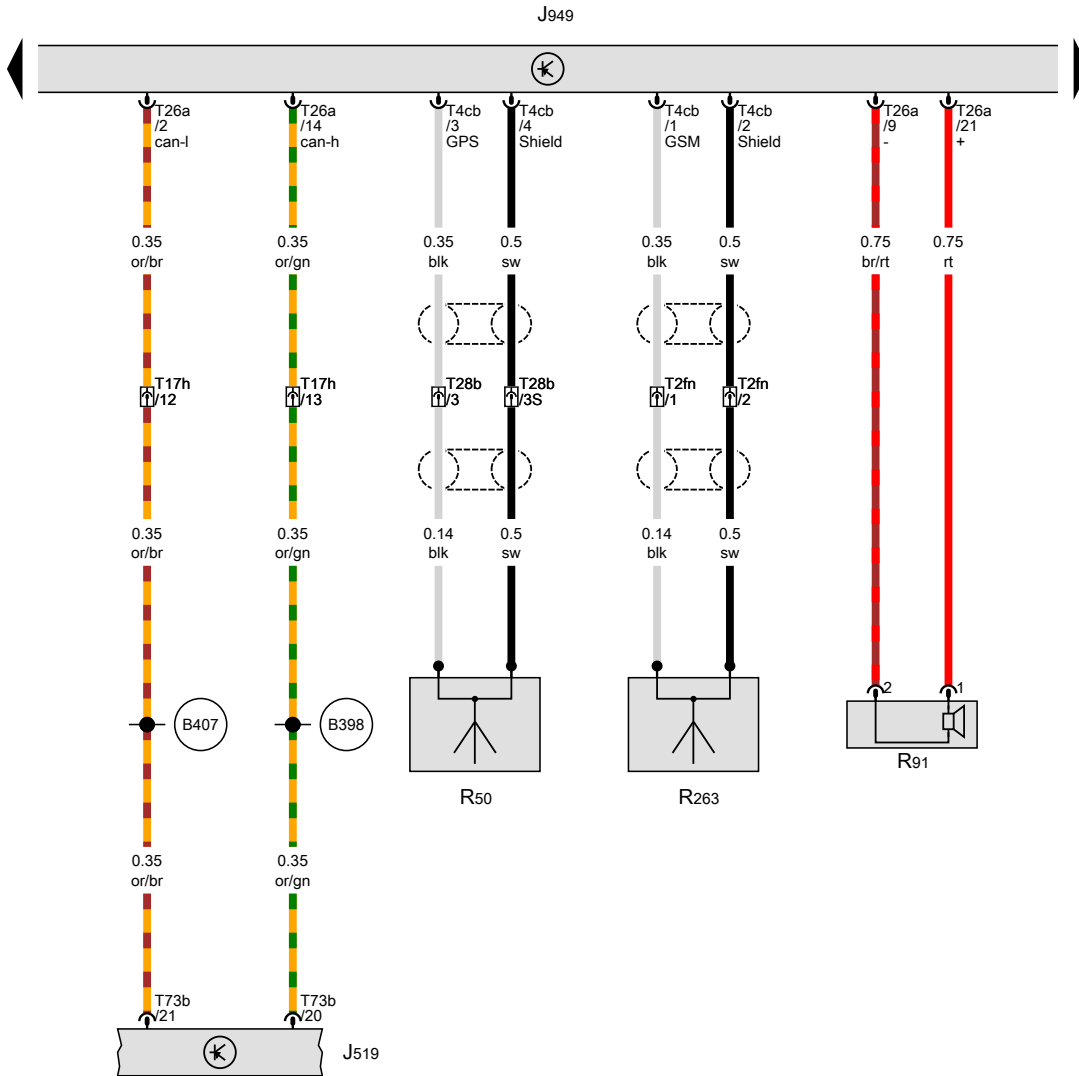
- E276 Emergency assistance call button
- J234 Airbag control unit, under centre console
- J949 Emergency call module control unit and communication unit
- SC58 Fuse 58 on fuse holder C
- T6v 6-pin connector, brown
- T17h 17-pin connector, blue, behind dash panel
- T26a 26-pin connector, black
- T50 50-pin connector, yellow

- 44 Earth point, lower part of left A-pillar
- 384 Earth connection 19, in main wiring harness
- B317 Positive connection 3 (30a) in main wiring harness

- ws = white
- sw = black
- ro = red
- rt = red
- br = brown
- gn = green
- bl = blue
- gr = grey
- li = purple
- vi = purple
- ge = yellow
- or = orange
- rs = pink

1S60-049021019

Onboard supply control unit, Emergency call module control unit and communication unit

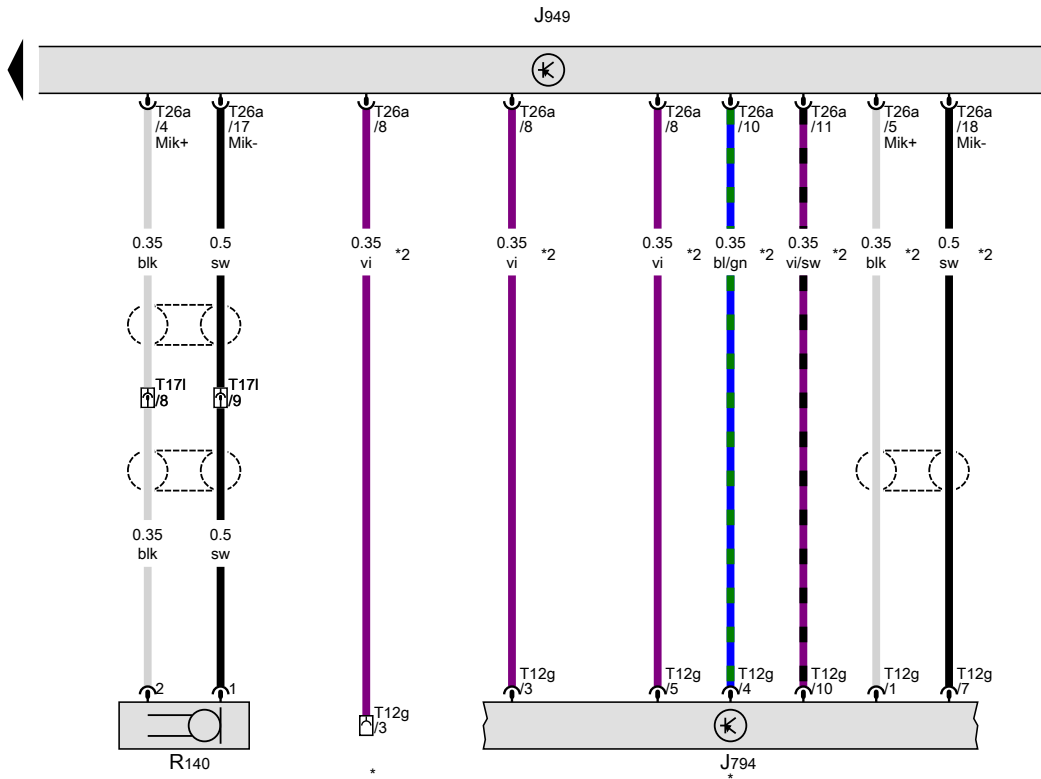


- J519 Onboard supply control unit
- J949 Emergency call module control unit and communication unit
- R50 GPS aerial
- R91 Additional loudspeaker for telematics
- R263 Emergency call module aerial
- T2fn 2-pin connector, black, behind dash panel
- T4cb 4-pin connector, purple
- T17h 17-pin connector, blue, behind dash panel
- T26a 26-pin connector, black
- T28b 28-pin connector, black, on right A-pillar
- T73b 73-pin connector, colourless
- B398 Connection 2 (convenience CAN bus, high), in main wiring harness
- B407 Connection 2 (convenience CAN bus, low), in main wiring harness

- ws = white
- sw = black
- ro = red
- rt = red
- br = brown
- gn = green
- bl = blue
- gr = grey
- li = purple
- vi = purple
- ge = yellow
- or = orange
- rs = pink

15 16 17 18 19 20 21 22 23 24 25 26 27 28

[S60-049031019]



Control unit 1 for information electronics, Emergency call module control unit and communication unit

- J794 Control unit 1 for information electronics
- J949 Emergency call module control unit and communication unit
- R140 Front left microphone
- T12g 12-pin connector, blue
- T171 17-pin connector, brown, behind dash panel
- T26a 26-pin connector, black
- * see applicable current flow diagram for radio system
- *2 According to equipment

- ws = white
- sw = black
- ro = red
- rt = red
- br = brown
- gn = green
- bl = blue
- gr = grey
- li = purple
- vi = purple
- ge = yellow
- or = orange
- rs = pink

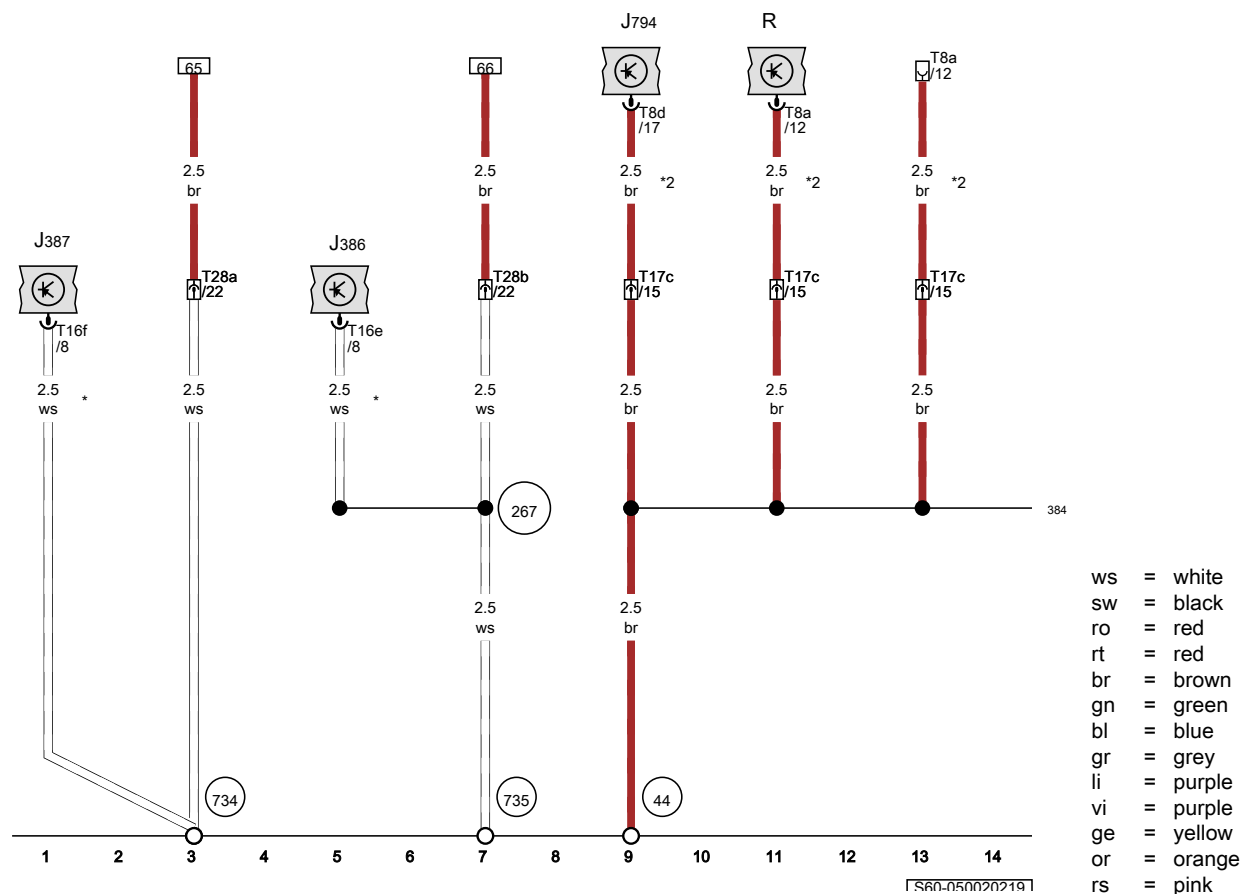
Earthing concept , (L0R)

From February 2017

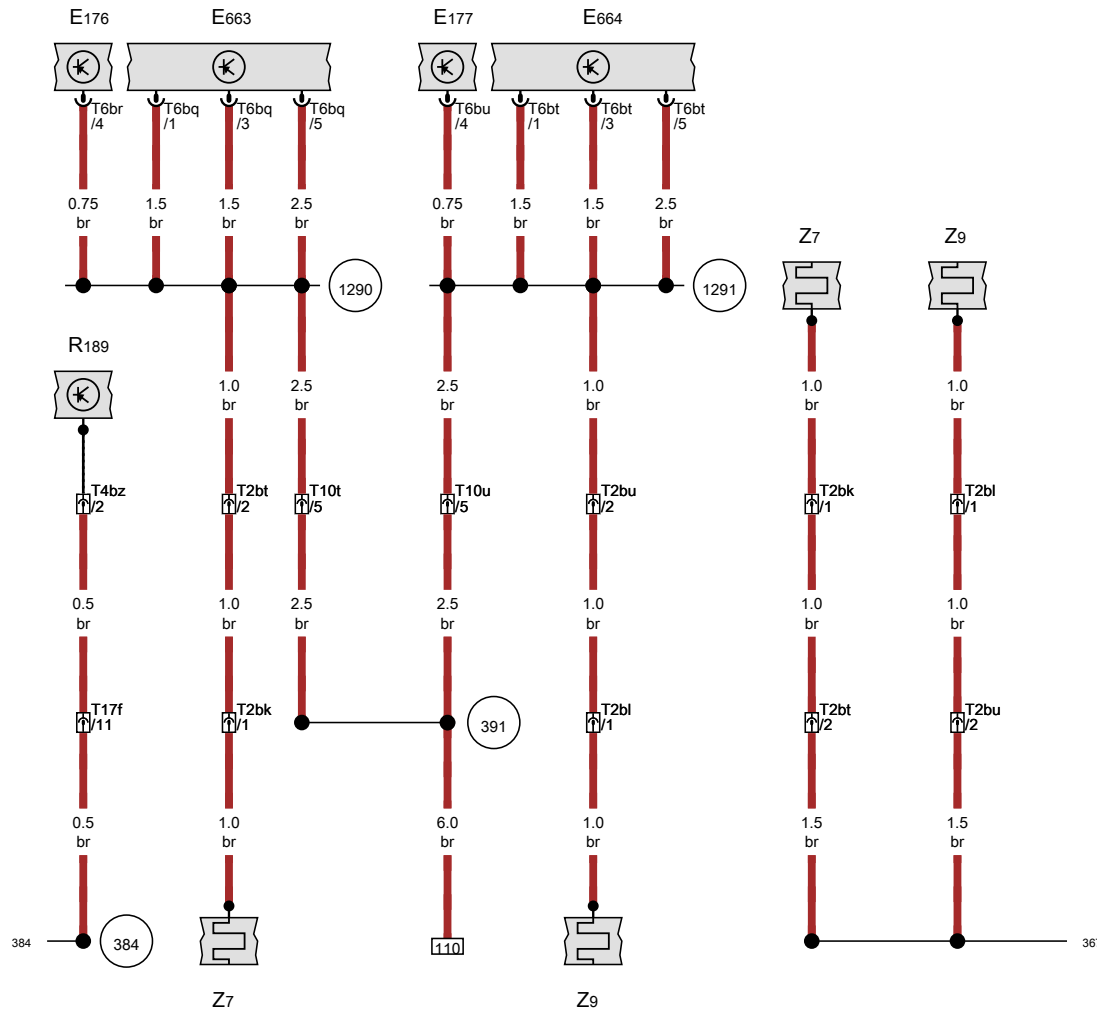
Driver door control unit, Front passenger door control unit, Control unit 1 for information electronics, Radio

- J386 Driver door control unit
- J387 Front passenger door control unit
- J794 Control unit 1 for information electronics
- R Radio
- T8a 8-pin connector, black, in slot for radio, centre of dash panel
- T8d 8-pin connector, black, in slot for radio, centre of dash panel
- T16e 16-pin connector, black
- T16f 16-pin connector, black
- T17c 17-pin connector, white, behind dash panel
- T28a 28-pin connector, black, on left A-pillar
- T28b 28-pin connector, black, on right A-pillar

- 44 Earth point, lower part of left A-pillar
- 267 Earth connection 2, in drive side door wiring harness
- 384 Earth connection 19, in main wiring harness
- 734 Earth point in front left door
- 735 Earth point in front right door
- * For models with electric window regulators
- *2 see applicable current flow diagram for radio system



[S60-050020219]



Driver seat lumbar support adjustment switch, Front passenger seat lumbar support adjustment switch, Switch module for driver seat, Switch module for front passenger seat, Reversing camera

- E176 Driver seat lumbar support adjustment switch
- E177 Front passenger seat lumbar support adjustment switch
- E663 Switch module for driver seat
- E664 Switch module for front passenger seat
- R189 Reversing camera
- T2bk 2-pin connector, black, in seat
- T2bl 2-pin connector, black, in seat
- T2bt 2-pin connector, black, under seat on front left
- T2bu 2-pin connector, black, under seat on front right
- T4bz 4-pin connector, black, on longitudinal member, rear, left
- T6bq 6-pin connector, black
- T6br 6-pin connector, black
- T6bt 6-pin connector, black
- T6bu 6-pin connector, black
- T10t 10-pin connector, black, under driver seat
- T10u 10-pin connector, black, under front passenger seat
- T17f 17-pin connector, blue, near handbrake lever
- Z7 Heated backrest for driver seat
- Z9 Heated backrest for front passenger seat

- 367 Earth connection 2, in main wiring harness
- 384 Earth connection 19, in main wiring harness
- 391 Earth connection 26, in main wiring harness
- 1290 Earth connection 1, in front left seat wiring harness
- 1291 Earth connection 1, in front right seat wiring harness

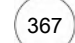
- ws = white
- sw = black
- ro = red
- rt = red
- br = brown
- gn = green
- bl = blue
- gr = grey
- li = purple
- vi = purple
- ge = yellow
- or = orange
- rs = pink

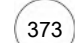
15 16 17 18 19 20 21 22 23 24 25 26 27 28

[S60-050030219]

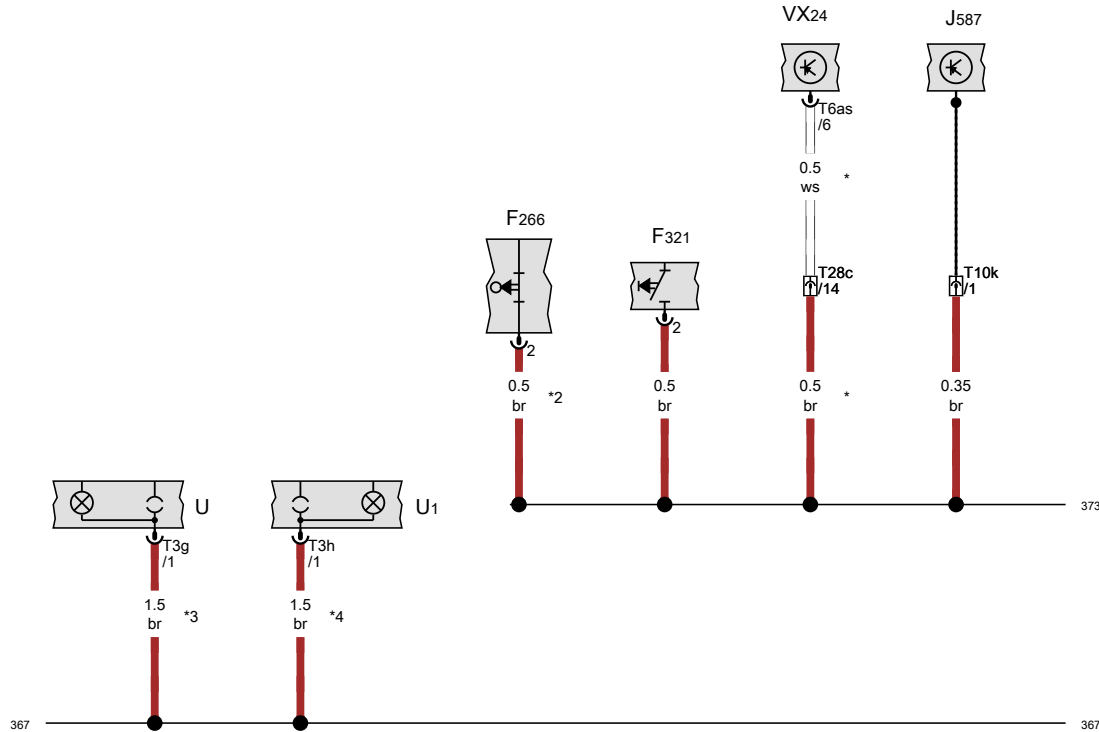
Bonnet contact switch, Parking brake contact switch, Selector lever sensors control unit, Electric socket, Cigarette lighter, Rear right door lock unit

- F266 Bonnet contact switch
- F321 Parking brake contact switch
- J587 Selector lever sensors control unit
- T3g 3-pin connector, transparent
- T3h 3-pin connector, transparent
- T6as 6-pin connector, black
- T10k 10-pin connector, black, in centre console, near handbrake lever
- T28c 28-pin connector, black, on right B-pillar
- U Electric socket, on centre console switch module
- U1 Cigarette lighter, on centre console switch module
- VX24 Rear right door lock unit

 367 Earth connection 2, in main wiring harness

 373 Earth connection 8, in main wiring harness

- * For models with double cab
- *2 According to equipment
- *3 For models with 12 V socket
- *4 For smoker version models



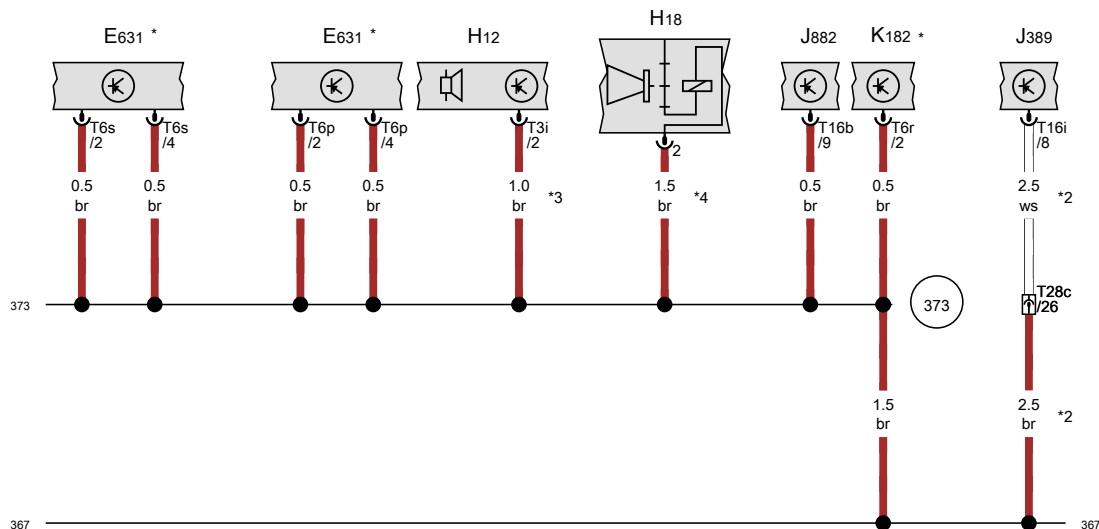
- ws = white
- sw = black
- ro = red
- rt = red
- br = brown
- gn = green
- bl = blue
- gr = grey
- li = purple
- vi = purple
- ge = yellow
- or = orange
- rs = pink

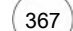
29 30 31 32 33 34 35 36 37 38 39 40 41 42

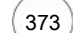
[S60-050040219]

Running gear program switch, Alarm horn, Rear right door control unit, Seat heating control unit, Reduction gearing warning lamp in transfer box operating unit

- E631 Running gear program switch, in centre console
- H12 Alarm horn
- H18 Alarm system horn
- J389 Rear right door control unit
- J882 Seat heating control unit
- K182 Reduction gearing warning lamp in transfer box operating unit, in centre console
- T3i 3-pin connector, black
- T6p 6-pin connector, black
- T6r 6-pin connector, brown
- T6s 6-pin connector, grey
- T16b 16-pin connector, black
- T16i 16-pin connector, black
- T28c 28-pin connector, black, on right B-pillar



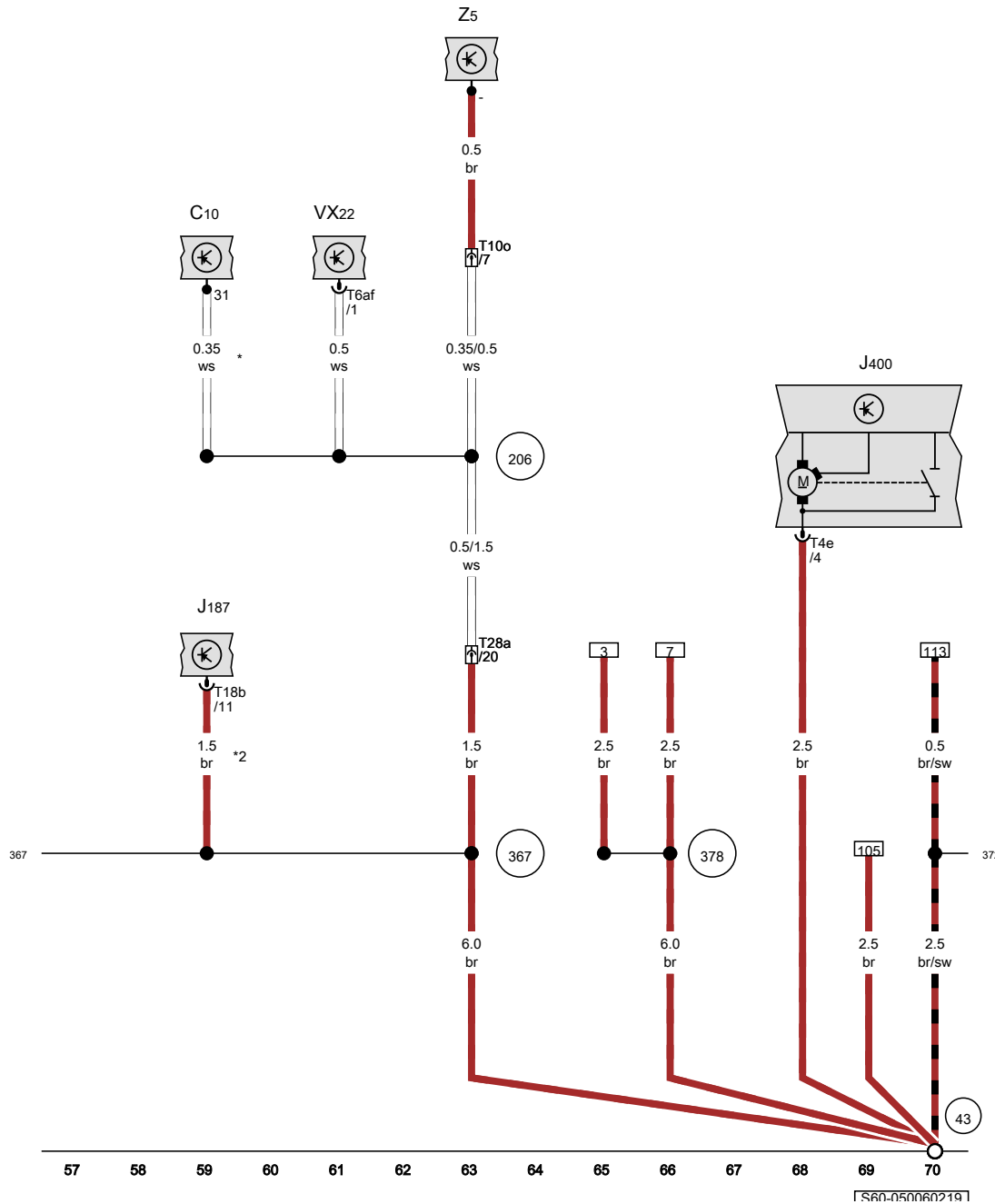
 Earth connection 2, in main wiring harness

 Earth connection 8, in main wiring harness

- * For models with all-wheel drive
- *2 For models with double cab
- *3 For models with alarm horn
- *4 For models with no alarm horn

- ws = white
- sw = black
- ro = red
- rt = red
- br = brown
- gn = green
- bl = blue
- gr = grey
- li = purple
- vi = purple
- ge = yellow
- or = orange
- rs = pink

Suppression filter, Differential lock control unit, Wiper motor control unit, Front passenger door lock unit, Heated exterior mirror on passenger side



- C10 Suppression filter, in left door
- J187 Differential lock control unit, in centre console, near handbrake lever
- J400 Wiper motor control unit
- T4e 4-pin connector, black
- T6af 6-pin connector, black
- T10o 10-pin connector, black, in left door, near exterior mirror
- T18b 18-pin connector, black
- T28a 28-pin connector, black, on left A-pillar
- VX22 Front passenger door lock unit
- Z5 Heated exterior mirror on passenger side

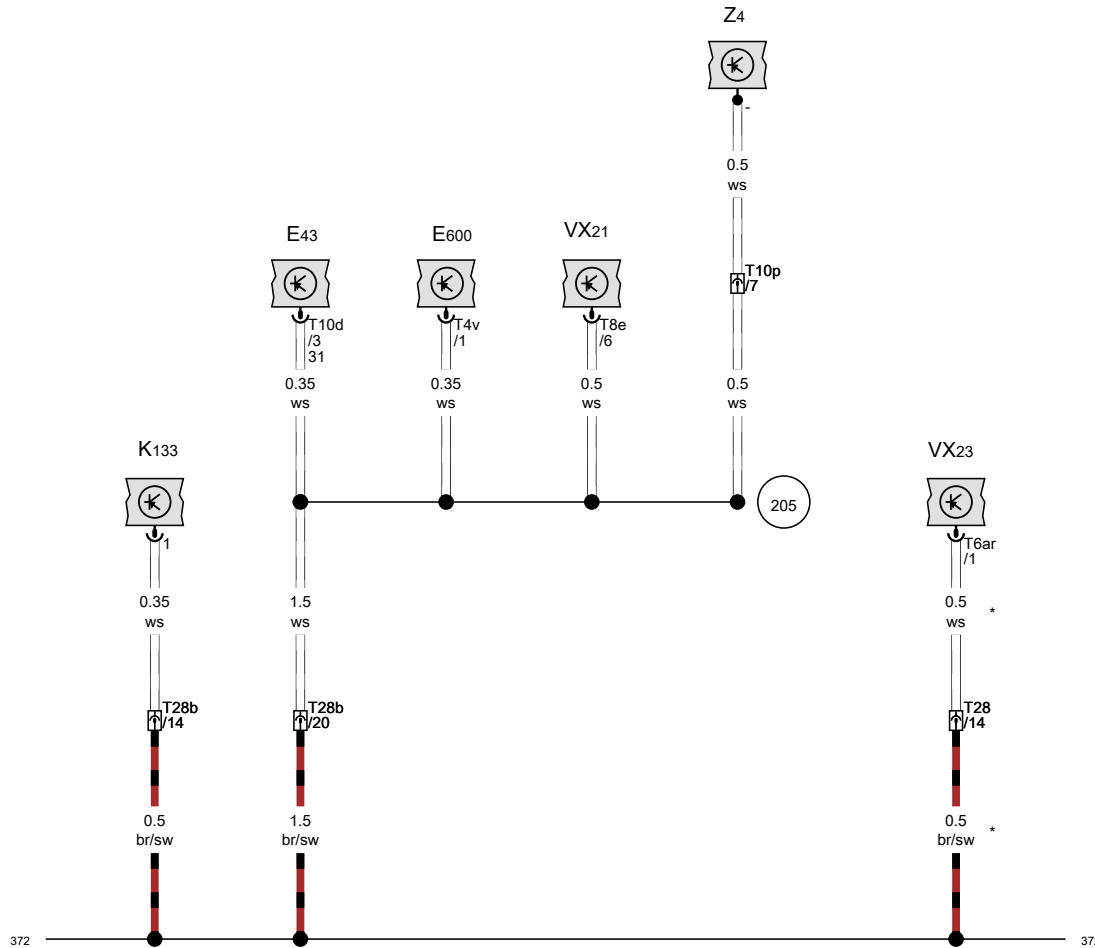
- 43 Earth point, lower part of right A-pillar
- 206 Earth connection, in front passenger door wiring harness
- 367 Earth connection 2, in main wiring harness
- 372 Earth connection 7, in main wiring harness
- 378 Earth connection 13, in main wiring harness

* According to equipment
 *2 For models with rear differential lock

- ws = white
- sw = black
- ro = red
- rt = red
- br = brown
- gn = green
- bl = blue
- gr = grey
- li = purple
- vi = purple
- ge = yellow
- or = orange
- rs = pink

[S60-050060219]

Mirror adjustment switch, Central locking button, Central locking SAFELOCK function warning lamp, Rear left door lock unit, Heated exterior mirror on driver side



- E43 Mirror adjustment switch, in driver door
- E600 Central locking button, in driver door
- K133 Central locking SAFELOCK function warning lamp
- T4v 4-pin connector, black
- T6ar 6-pin connector, black
- T8e 8-pin connector, black
- T10d 10-pin connector, black
- T10p 10-pin connector, black, in right door, near exterior mirror
- T28 28-pin connector, black, on left B-pillar
- T28b 28-pin connector, black, on right A-pillar
- VX21 Driver door lock unit
- VX23 Rear left door lock unit
- Z4 Heated exterior mirror on driver side
- (205) Earth connection, in driver door wiring harness
- (372) Earth connection 7, in main wiring harness
- * For models with double cab

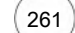
- ws = white
- sw = black
- ro = red
- rt = red
- br = brown
- gn = green
- bl = blue
- gr = grey
- li = purple
- vi = purple
- ge = yellow
- or = orange
- rs = pink


71 72 73 74 75 76 77 78 79 80 81 82 83 84

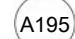
[S60-050070219]

Parking aid button, Button for left seat heating, Button for right seat heating, Trailer detector control unit, Dash panel insert, 12 V socket 4, Left washer jet heater element

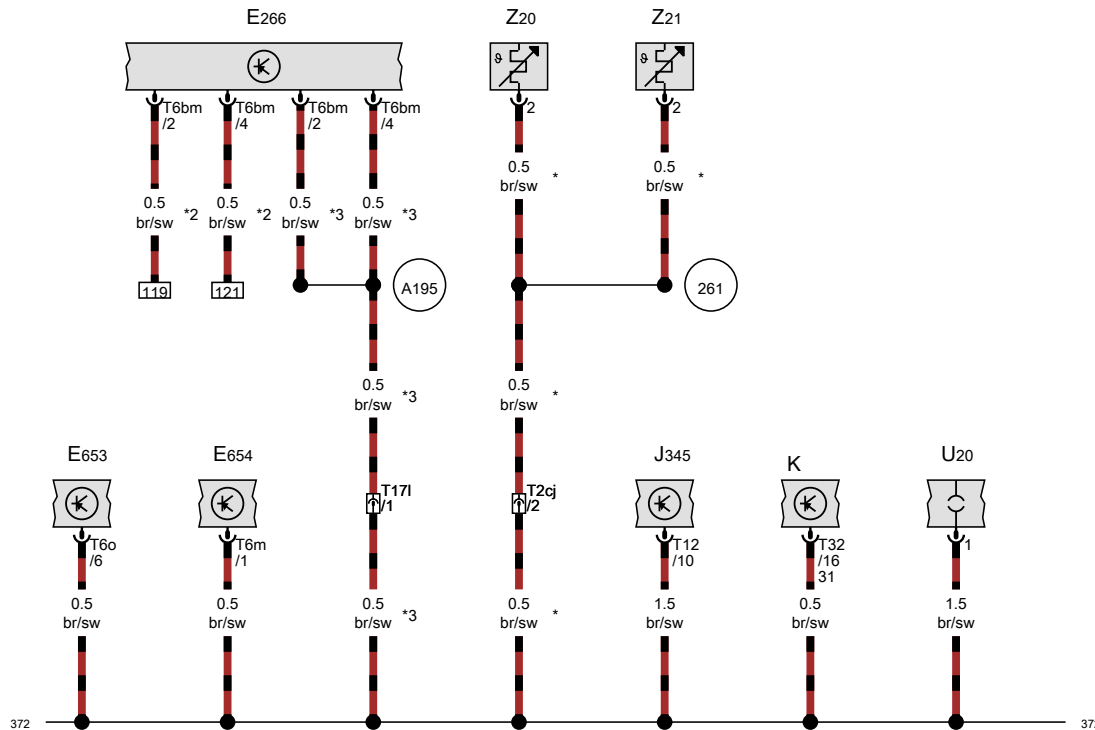
- E266 Parking aid button
- E653 Button for left seat heating
- E654 Button for right seat heating
- J345 Trailer detector control unit
- K Dash panel insert
- T2cj 2-pin connector, black, near window wiper motor
- T6bm 6-pin connector, white
- T6m 6-pin connector, white
- T6o 6-pin connector, white
- T12 12-pin connector, red
- T17l 17-pin connector, brown, behind dash panel
- T32 32-pin connector, blue
- U20 12 V socket 4
- Z20 Left washer jet heater element
- Z21 Right washer jet heater element

 261 Earth connection, in heated washer jet wiring harness

 372 Earth connection 7, in main wiring harness

 A195 Connection 1 (PDC), in dash panel insert wiring harness

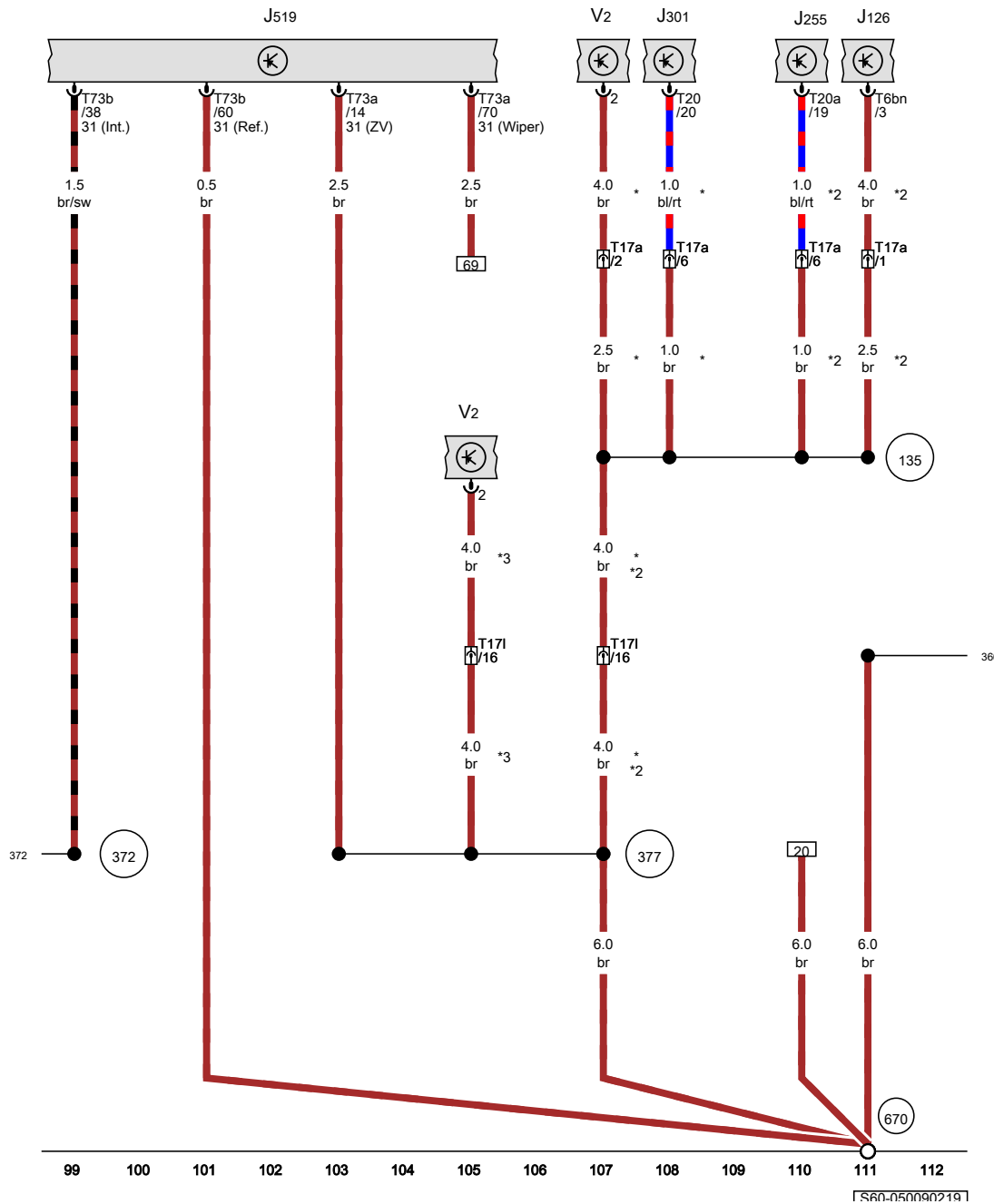
- * For models with heated washer jets
- *2 From January 2018
- *3 Up to January 2018



- ws = white
- sw = black
- ro = red
- rt = red
- br = brown
- gn = green
- bl = blue
- gr = grey
- li = purple
- vi = purple
- ge = yellow
- or = orange
- rs = pink

85 86 87 88 89 90 91 92 93 94 95 96 97 98

1S60-0500802191



Fresh air blower control unit, Climatronic control unit, Air conditioning system control unit, Fresh air blower

- J126 Fresh air blower control unit
- J255 Climatronic control unit, in centre of dash panel
- J301 Air conditioning system control unit
- J519 Onboard supply control unit
- T6bn 6-pin connector, black
- T17a 17-pin connector, black, behind glove compartment
- T171 17-pin connector, brown, behind dash panel
- T20 20-pin connector, black
- T20a 20-pin connector, black
- T73a 73-pin connector, black
- T73b 73-pin connector, colourless
- V2 Fresh air blower

135 Earth connection 2, in dash panel wiring harness

366 Earth connection 1, in main wiring harness

372 Earth connection 7, in main wiring harness

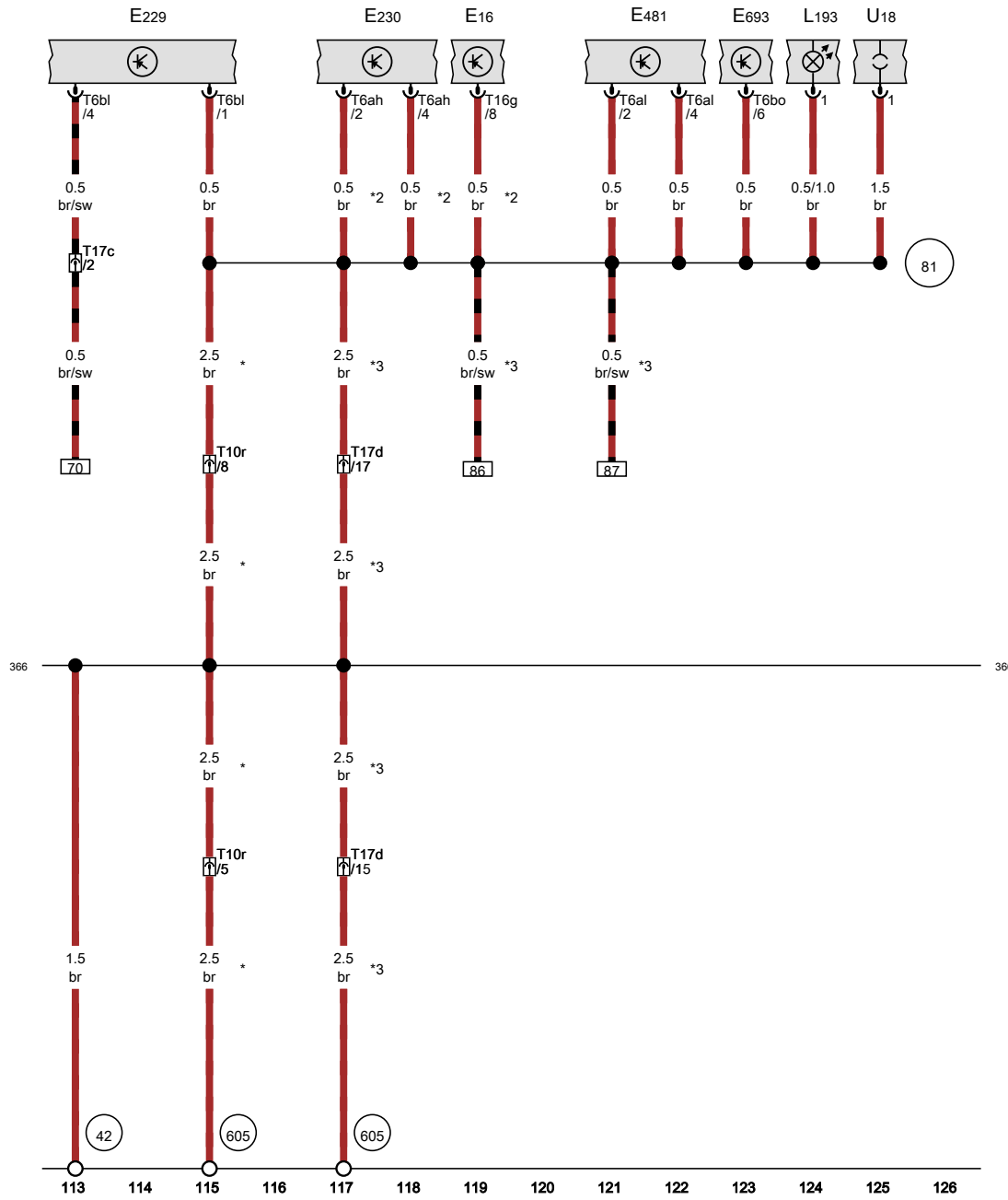
377 Earth connection 12, in main wiring harness

670 Earth point 2, left A-pillar

- * For models with Climatic
- *2 For models with Climatronic
- *3 For models with no air conditioning system/Climatronic

- ws = white
- sw = black
- ro = red
- rt = red
- br = brown
- gn = green
- bl = blue
- gr = grey
- li = purple
- vi = purple
- ge = yellow
- or = orange
- rs = pink

1560-050090219



TS60-0501002191

Heater/heat output switch, Hazard warning lights button, Heated rear window button, Load area illumination switch, Start/Stop operation button, Light 1 for front centre console background lighting, 12 V socket 2

- E16 Heater/heat output switch
- E229 Hazard warning lights button
- E230 Heated rear window button
- E481 Load area illumination switch
- E693 Start/Stop operation button
- L193 Light 1 for front centre console background lighting, in centre console, under radio
- T6ah 6-pin connector, near radio
- T6al 6-pin connector, red
- T6bl 6-pin connector, black, near radio
- T6bo 6-pin connector, grey
- T10r 10-pin connector, blue, behind dash panel
- T16g 16-pin connector, black
- T17c 17-pin connector, white, behind dash panel
- T17d 17-pin connector, green, behind dash panel
- U18 12 V socket 2, in centre of dash panel, in storage compartment

42 Earth point, next to steering column

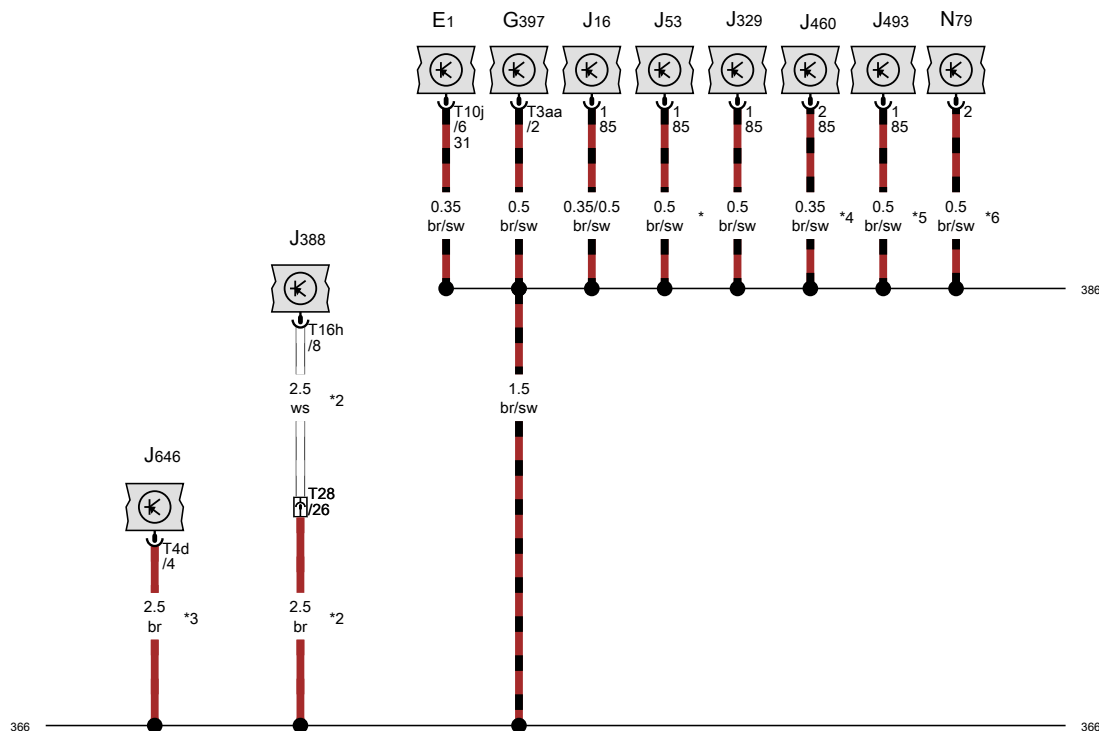
81 Earth connection 1, in dash panel wiring harness

366 Earth connection 1, in main wiring harness

605 Earth point, on top end of steering column

- * Up to January 2018
- *2 For models with no air conditioning system/Climatronic
- *3 From January 2018

- ws = white
- sw = black
- ro = red
- rt = red
- br = brown
- gn = green
- bl = blue
- gr = grey
- li = purple
- vi = purple
- ge = yellow
- or = orange
- rs = pink



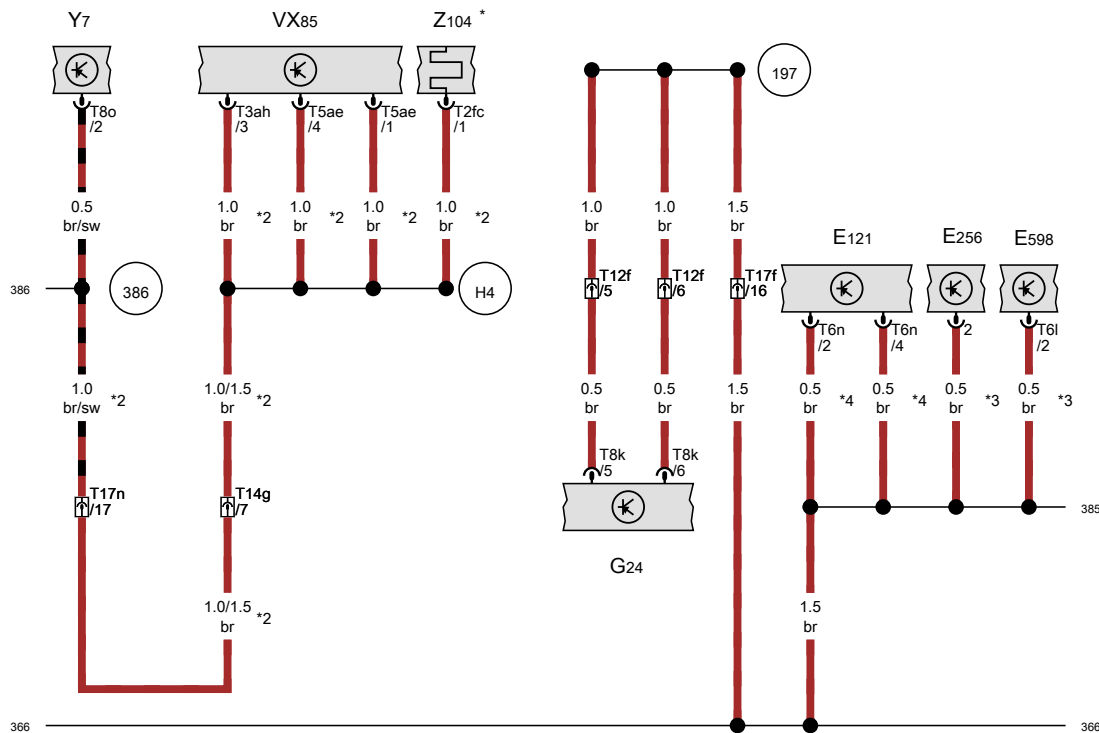
Light switch, Rain and light sensor, Current supply relay, Starter motor relay, Terminal 15 voltage supply relay, Rear left door control unit, Alarm system relay 1, Auxiliary coolant heater relay, Transfer box control unit, Heater element for crankcase breather

- E1 Light switch
- G397 Rain and light sensor
- J16 Current supply relay
- J53 Starter motor relay
- J329 Terminal 15 voltage supply relay
- J388 Rear left door control unit
- J460 Alarm system relay 1
- J493 Auxiliary coolant heater relay
- J646 Transfer box control unit
- N79 Heater element for crankcase breather
- T3aa 3-pin connector, black
- T4d 4-pin connector, brown
- T10j 10-pin connector, black
- T16h 16-pin connector, black
- T28 28-pin connector, black, on left B-pillar

- 366 Earth connection 1, in main wiring harness
- 386 Earth connection 21, in main wiring harness

- * For models with no start/stop system
- *2 For models with double cab
- *3 For models with all-wheel drive
- *4 For models with no alarm horn
- *5 see applicable current flow diagram for air conditioning
- *6 For models with crankcase breather heater element

- ws = white
- sw = black
- ro = red
- rt = red
- br = brown
- gn = green
- bl = blue
- gr = grey
- li = purple
- vi = purple
- ge = yellow
- or = orange
- rs = pink



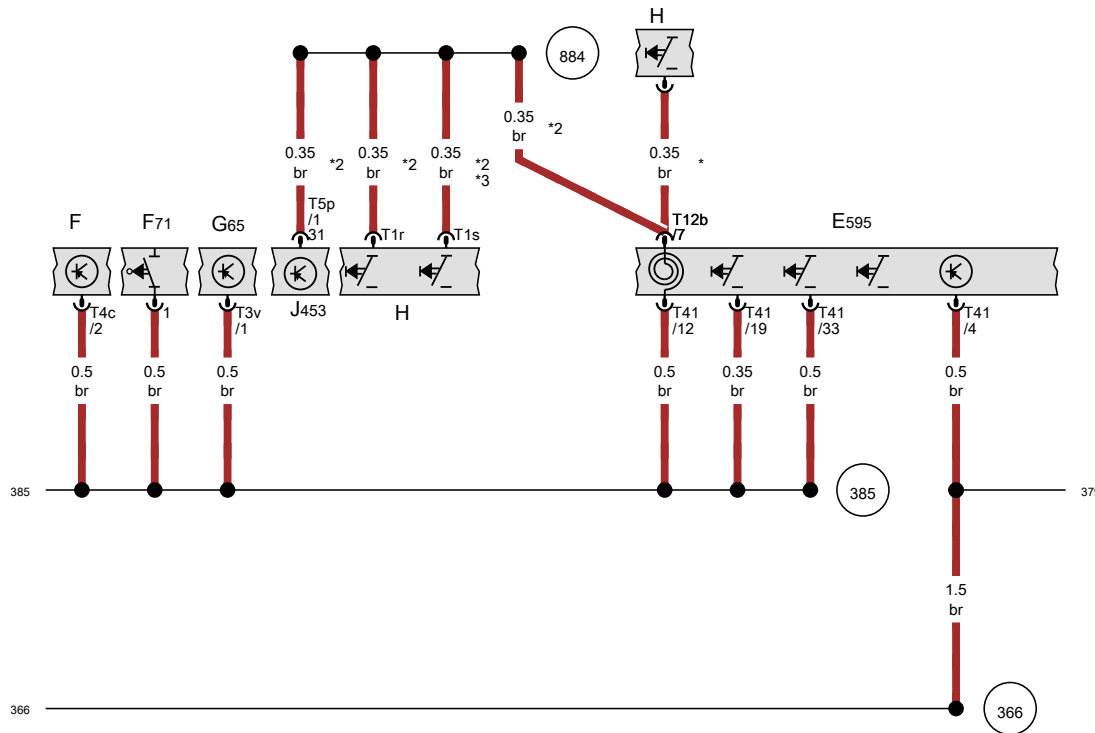
Rear differential lock switch, Button for TCS and electronic stabilisation program, Driving program button, Tachograph, Reducing agent tank, Automatic anti-dazzle interior mirror, Heater for reducing agent line (heater circuit 2)

- E121 Rear differential lock switch, in centre console
- E256 Button for TCS and electronic stabilisation program
- E598 Driving program button
- G24 Tachograph
- T2fc 2-pin connector, black
- T3ah 3-pin connector, black
- T5ae 5-pin connector, black
- T6i 6-pin connector, red
- T6n 6-pin connector, brown
- T8k 8-pin connector, colourless
- T8o 8-pin connector, black
- T12f 12-pin connector, black, near handbrake lever
- T14g 14-pin connector, grey, rear
- T17f 17-pin connector, blue, near handbrake lever
- T17n 17-pin connector, green, near handbrake lever
- VX85 Reducing agent tank
- Y7 Automatic anti-dazzle interior mirror, on interior mirror
- Z104 Heater for reducing agent line (heater circuit 2)

- 197 Earth connection 4, in rear wiring harness
- 366 Earth connection 1, in main wiring harness
- 385 Earth connection 20, in main wiring harness
- 386 Earth connection 21, in main wiring harness
- H4 Connection 2 in wiring harness for reducing agent tank

- * Pre-wired component
- *2 For models with 3.0l engine
- *3 According to equipment
- *4 For models with rear differential lock

- ws = white
- sw = black
- ro = red
- rt = red
- br = brown
- gn = green
- bl = blue
- gr = grey
- li = purple
- vi = purple
- ge = yellow
- or = orange
- rs = pink



Steering column combination switch, Brake light switch, Clutch pedal switch for stop/start system, High-pressure sender, Horn plate, Multifunction steering wheel control unit

- E595 Steering column combination switch
- F Brake light switch
- F71 Clutch pedal switch for stop/start system
- G65 High-pressure sender
- H Horn plate
- J453 Multifunction steering wheel control unit
- T1r 1-pin connector, black
- T1s 1-pin connector, black
- T3v 3-pin connector, black
- T4c 4-pin connector, black
- T5p 5-pin connector, black
- T12b 12-pin connector, yellow
- T41 41-pin connector, grey

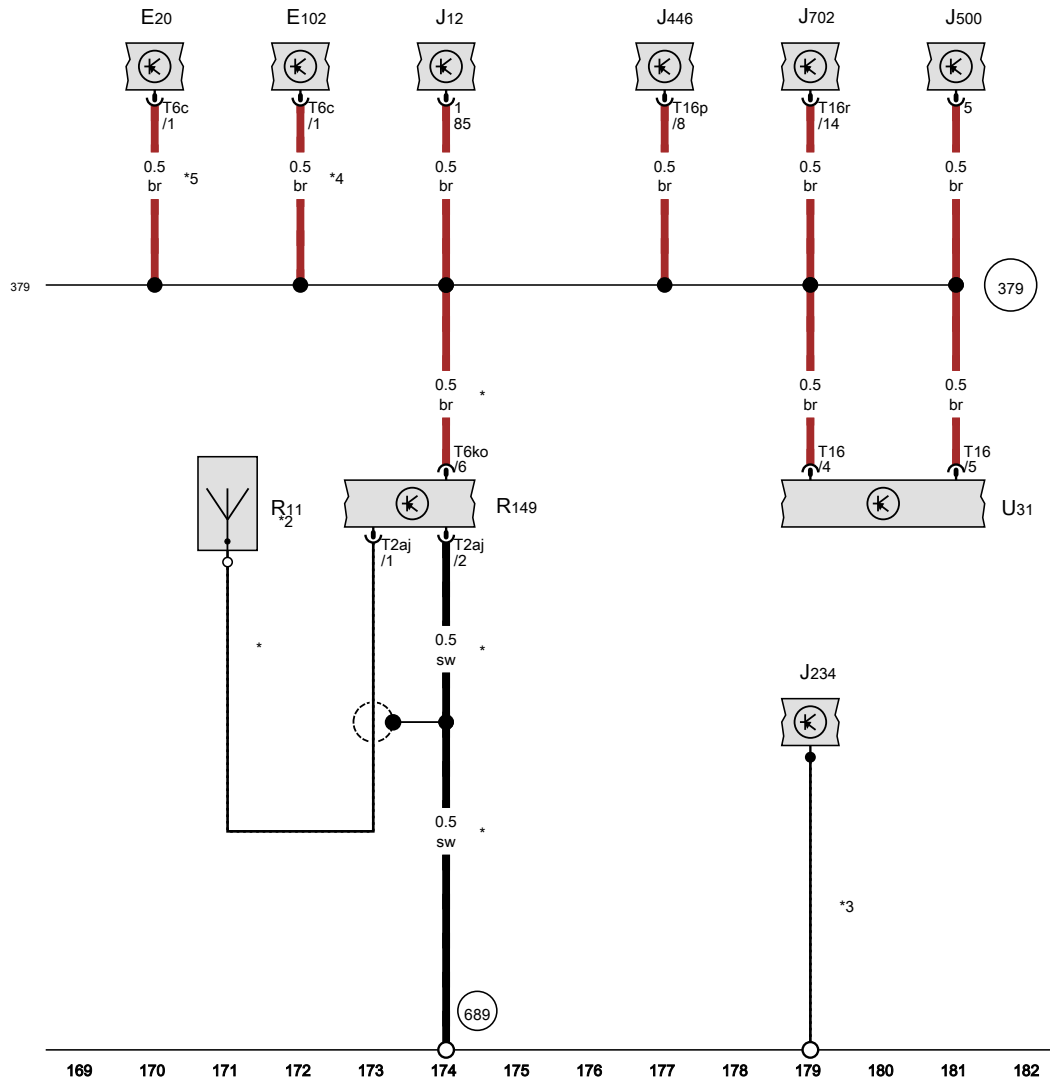
- 366 Earth connection 1, in main wiring harness
- 379 Earth connection 14, in main wiring harness
- 385 Earth connection 20, in main wiring harness
- 884 Earth connection 1 in steering wheel wiring harness
- * For models with no multifunction steering wheel
- *2 For models with multifunction steering wheel
- *3 According to equipment

- ws = white
- sw = black
- ro = red
- rt = red
- br = brown
- gn = green
- bl = blue
- gr = grey
- li = purple
- vi = purple
- ge = yellow
- or = orange
- rs = pink

155 156 157 158 159 160 161 162 163 164 165 166 167 168

[S60-050130219]

Switch and instrument illumination regulator, Headlight range control regulator, Headlight main beam relay, Airbag control unit, Parking aid control unit, Power steering control unit, Roof display unit, Aerial, Remote control receiver for auxiliary coolant heater, Diagnostic connection



- E20 Switch and instrument illumination regulator
- E102 Headlight range control regulator
- J12 Headlight main beam relay
- J234 Airbag control unit, under centre console
- J446 Parking aid control unit, lower part of A-pillar, front passenger side
- J500 Power steering control unit
- J702 Roof display unit, near interior mirror
- R11 Aerial, behind right A-pillar trim
- R149 Remote control receiver for auxiliary coolant heater
- T2aj 2-pin connector, light brown
- T6c 6-pin connector, black
- T6ko 6-pin connector, blue
- T16 16-pin connector, black
- T16p 16-pin connector, brown
- T16r 16-pin connector, black
- U31 Diagnostic connection, near lower part of right A-pillar

- 379 Earth connection 14, in main wiring harness
- 689 Earth point, at front, central in roof

- * For models with remote control receiver for auxiliary coolant heater
- *2 Wiring open end
- *3 Earth supply via housing
- *4 For models with headlight range control
- *5 For models with dimmable instrument illumination

- ws = white
- sw = black
- ro = red
- rt = red
- br = brown
- gn = green
- bl = blue
- gr = grey
- li = purple
- vi = purple
- ge = yellow
- or = orange
- rs = pink

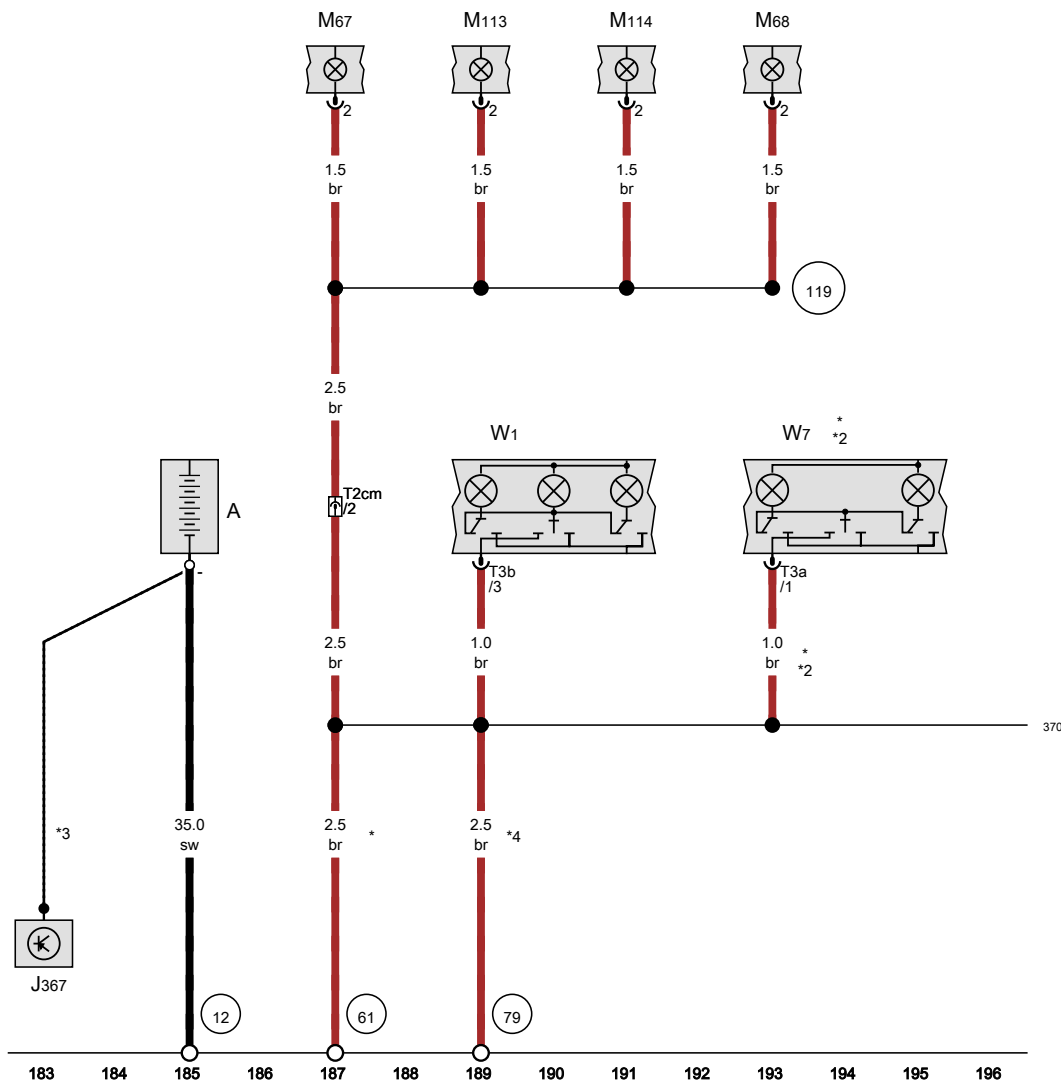
1560-0501402191

Battery, Battery monitor control unit, Left additional main beam bulb, Right additional main beam bulb, Centre left additional main beam bulb, Centre right additional main beam bulb, Front interior light, Centre interior light

- A Battery
- J367 Battery monitor control unit
- M67 Left additional main beam bulb
- M68 Right additional main beam beam bulb
- M113 Centre left additional main beam bulb
- M114 Centre right additional main beam bulb
- T2cm 2-pin connector, black
- T3a 3-pin connector, black
- T3b 3-pin connector, black
- W1 Front interior light
- W7 Centre interior light

- 12 Earth point, on left in engine compartment
- 61 Earth point, left C-pillar
- 79 Earth point on left B-pillar
- 119 Earth connection 1, in headlight wiring harness
- 370 Earth connection 5, in main wiring harness

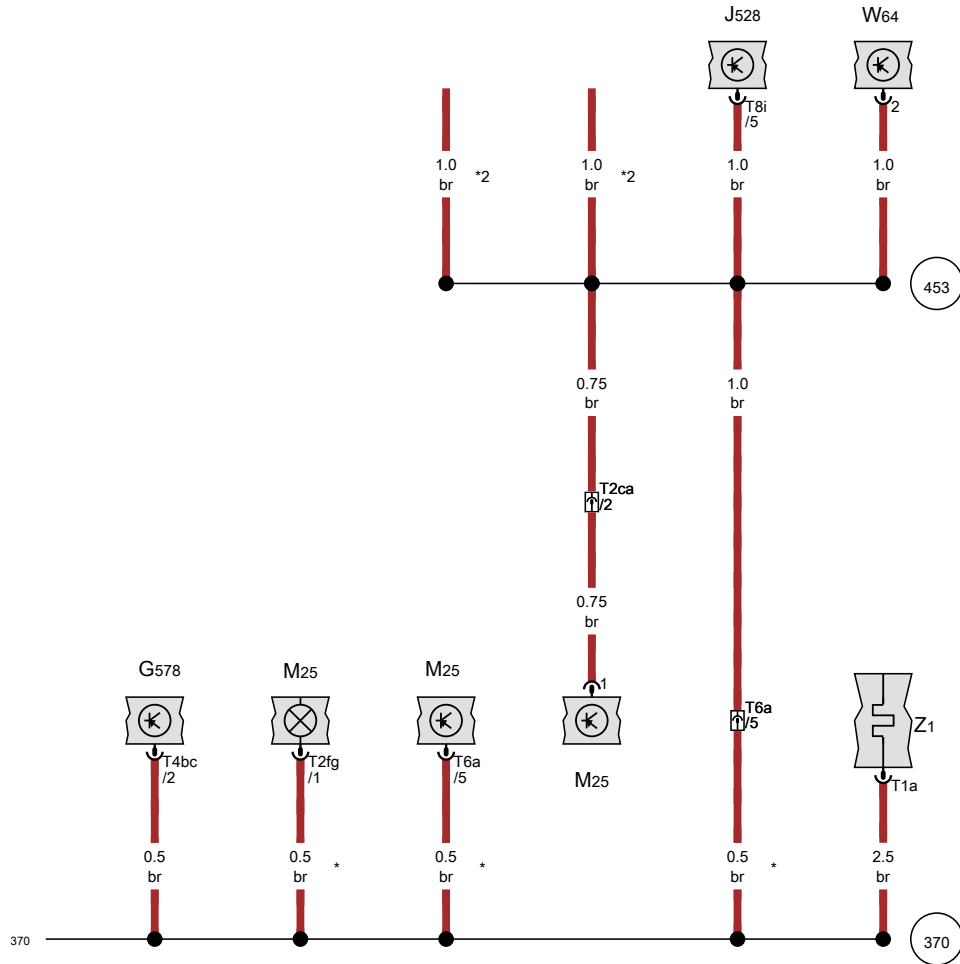
- * For models with double cab
- *2 For models with Highline equipment
- *3 For models with start/stop system
- *4 For models with single cab





- ws = white
- sw = black
- ro = red
- rt = red
- br = brown
- gn = green
- bl = blue
- gr = grey
- li = purple
- vi = purple
- ge = yellow
- or = orange
- rs = pink

[S60-050150219]

Anti-theft alarm sensor, Roof electronics control unit, High-level brake light bulb, Interior light, Heated rear window



- G578 Anti-theft alarm sensor
- J528 Roof electronics control unit, near rear lid, behind moulded headliner
- M25 High-level brake light bulb
- T1a 1-pin connector, black
- T2ca 2-pin connector, black, Coupling point for rear lid
- T2fg 2-pin connector, black
- T4bc 4-pin connector, brown
- T6a 6-pin connector, black, on rear roof module
- T8i 8-pin connector, black
- W64 Interior light
- Z1 Heated rear window

-  Earth connection 5, in main wiring harness
-  Earth connection 3, in optional equipment wiring harness
- * According to equipment
- *2 Wiring open end

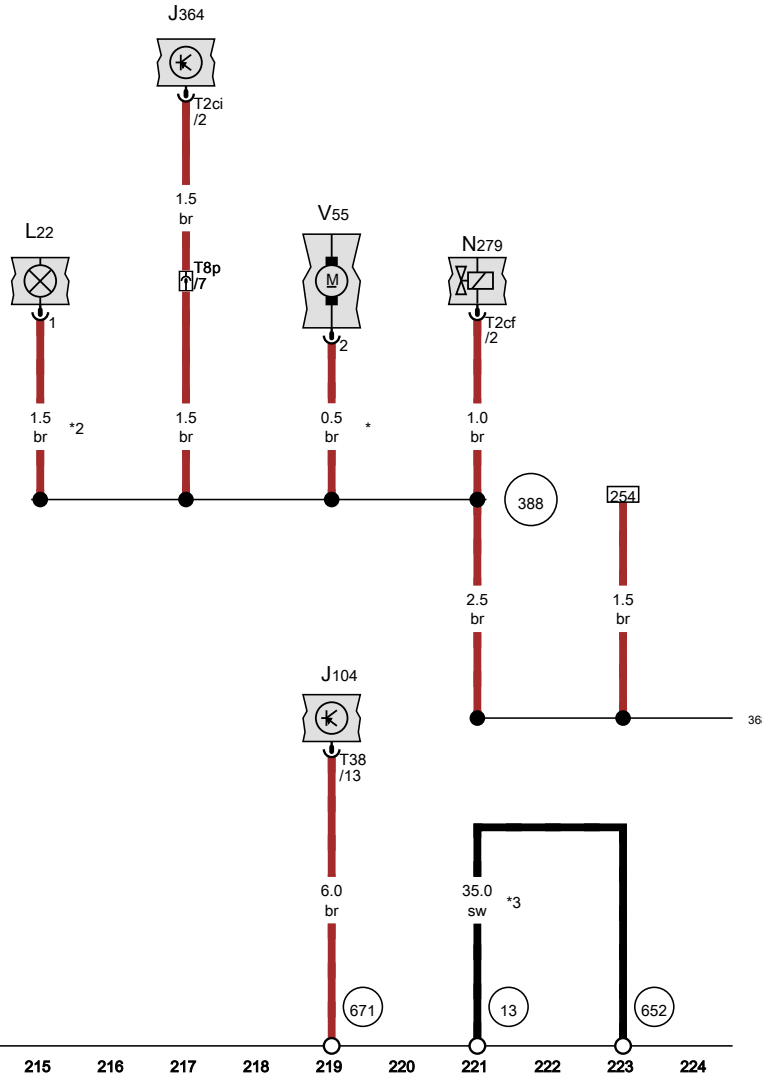
- ws = white
- sw = black
- ro = red
- rt = red
- br = brown
- gn = green
- bl = blue
- gr = grey
- li = purple
- vi = purple
- ge = yellow
- or = orange
- rs = pink

ABS control unit, Auxiliary heater control unit, Left fog light bulb, Heater coolant shut-off valve, Circulation pump

- J104 ABS control unit
- J364 Auxiliary heater control unit
- L22 Left fog light bulb
- N279 Heater coolant shut-off valve, front left in engine compartment
- T2cf 2-pin connector, black
- T2ci 2-pin connector, black
- T8p 8-pin connector, black, near battery
- T38 38-pin connector, black
- V55 Circulation pump

- 13 Earth point, on right in engine compartment
- 368 Earth connection 3, in main wiring harness
- 388 Earth connection 23, in main wiring harness
- 652 Earth point, engine and gearbox earth
- 671 Earth point 1, on front of left longitudinal member

- * see applicable current flow diagram for engine
- *2 For models with fog lights
- *3 For models with 2.0l engine



- ws = white
- sw = black
- ro = red
- rt = red
- br = brown
- gn = green
- bl = blue
- gr = grey
- li = purple
- vi = purple
- ge = yellow
- or = orange
- rs = pink

[S60-050170219]

Treble horn, Radiator fan control unit, Left turn signal repeater bulb, Continued coolant circulation pump

- H2 Treble horn
- H7 Bass horn
- J293 Radiator fan control unit
- M18 Left turn signal repeater bulb
- T3e 3-pin connector, black, in rear left of engine compartment
- T3w 3-pin connector, black
- T4bh 4-pin connector, black, in rear left of engine compartment
- T4bj 4-pin connector, black, on radiator cowl
- T14c 14-pin connector, grey, near battery
- V51 Continued coolant circulation pump

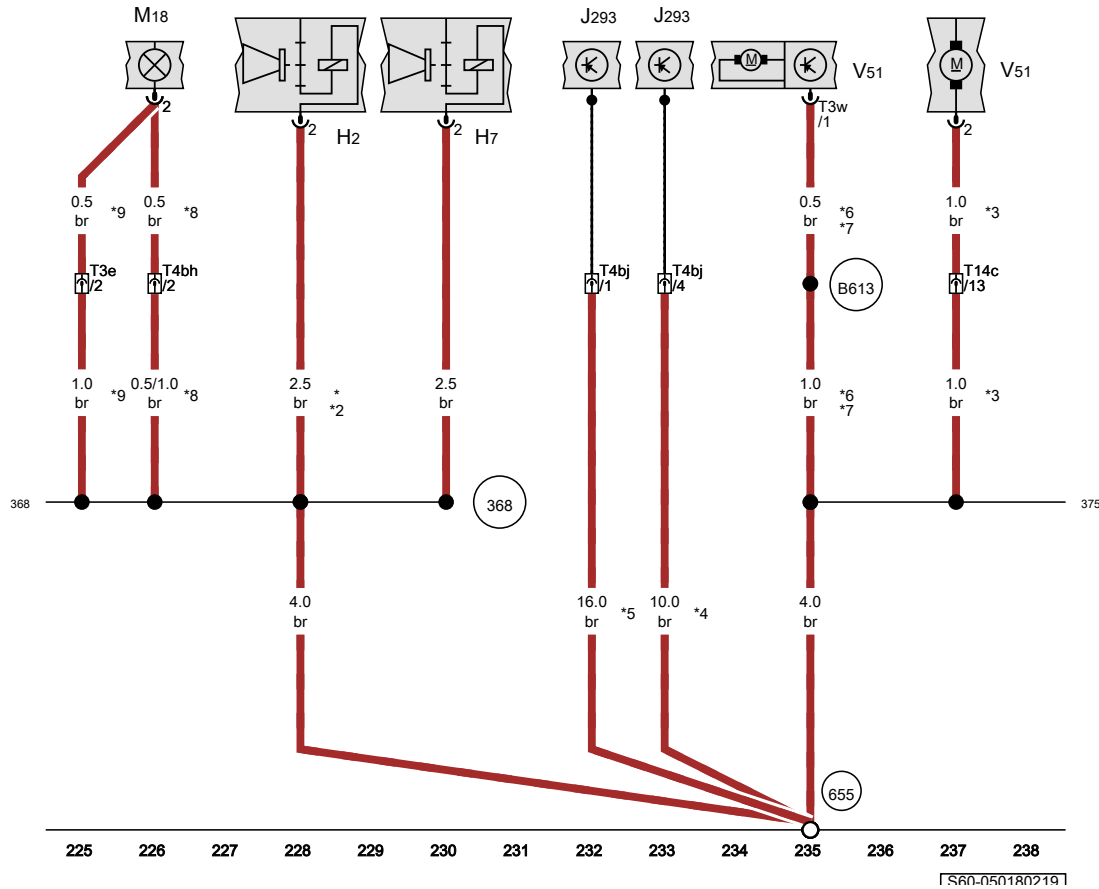
368 Earth connection 3, in main wiring harness

375 Earth connection 10, in main wiring harness

655 Earth point, on left headlight

B613 Connection 41, in main wiring harness

- * For models with Highline equipment
- *2 For models with Trendline equipment
- *3 For models with petrol engine
- *4 For models with low fan output
- *5 For models with increased fan output
- *6 For models with diesel engine
- *7 For models with Euro 5 emission standard
- *8 For models with provision for side member lighting
- *9 For models with no provision for side member lighting



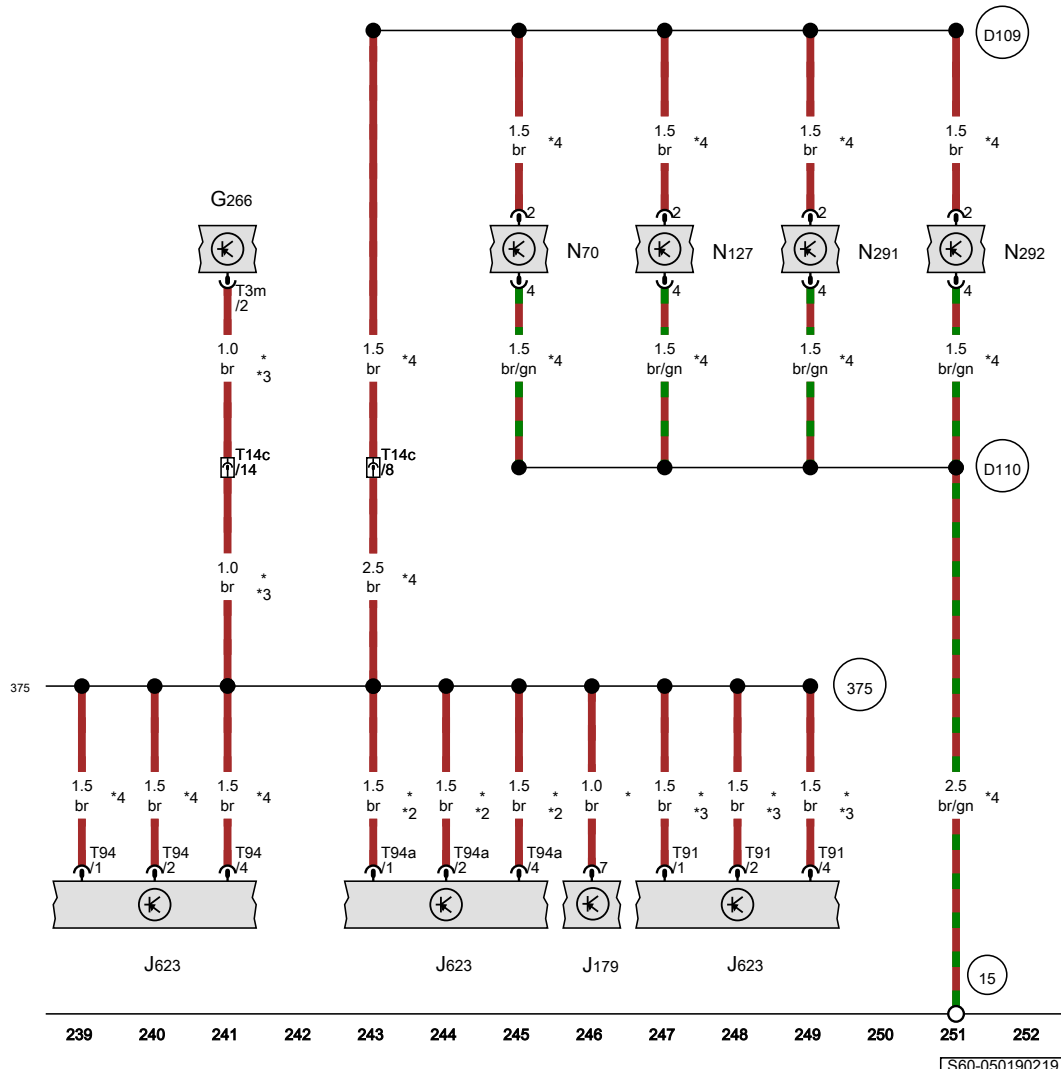
- ws = white
- sw = black
- ro = red
- rt = red
- br = brown
- gn = green
- bl = blue
- gr = grey
- li = purple
- vi = purple
- ge = yellow
- or = orange
- rs = pink

[S60-050180219]

Oil level and oil temperature sender, Automatic glow period control unit, Engine/motor control unit, Ignition coil 1 with output stage, Ignition coil 2 with output stage, Ignition coil 3 with output stage, Ignition coil 4 with output stage

- G266 Oil level and oil temperature sender
- J179 Automatic glow period control unit
- J623 Engine/motor control unit
- N70 Ignition coil 1 with output stage
- N127 Ignition coil 2 with output stage
- N291 Ignition coil 3 with output stage
- N292 Ignition coil 4 with output stage
- T3m 3-pin connector, black
- T14c 14-pin connector, grey, near battery
- T91 91-pin connector, black
- T94 94-pin connector, black
- T94a 94-pin connector, black

- 15 Earth point, on cylinder head
- 375 Earth connection 10, in main wiring harness
- D109 Connection 7 in engine compartment wiring harness
- D110 Connection 8 in engine compartment wiring harness
- * For models with diesel engine
- *2 For models with 2.0l engine
- *3 For models with 3.0l engine
- *4 For models with petrol engine



- ws = white
- sw = black
- ro = red
- rt = red
- br = brown
- gn = green
- bl = blue
- gr = grey
- li = purple
- vi = purple
- ge = yellow
- or = orange
- rs = pink

TS60-0501902191

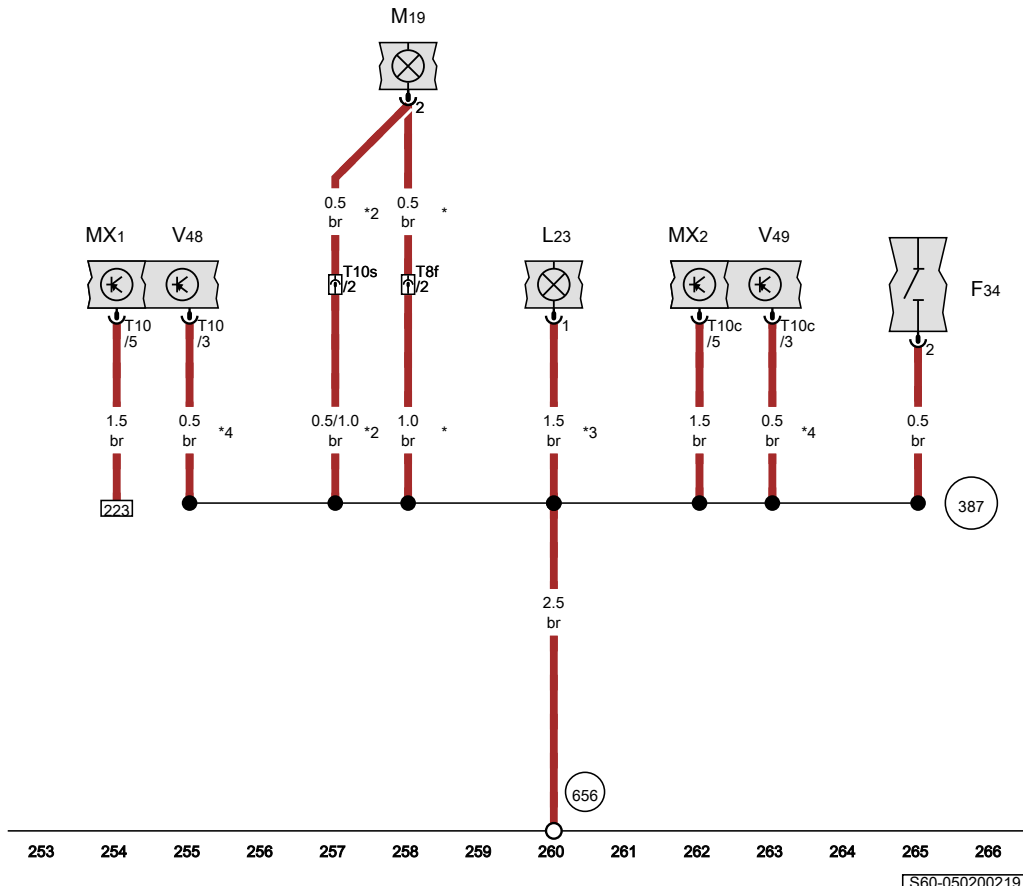
Brake fluid level warning contact, Right fog light bulb, Front left headlight, Front right headlight, Right turn signal repeater bulb, Left headlight range control motor, Right headlight range control motor

- F34 Brake fluid level warning contact
- L23 Right fog light bulb
- MX1 Front left headlight
- MX2 Front right headlight
- M19 Right turn signal repeater bulb
- T8f 8-pin connector, black, in rear right of engine compartment
- T10 10-pin connector, black
- T10c 10-pin connector, black
- T10s 10-pin connector, black, in rear right of engine compartment
- V48 Left headlight range control motor
- V49 Right headlight range control motor

387 Earth connection 22, in main wiring harness

656 Earth point, on right headlight, on right on bulkhead

- * For models with no provision for side member lighting
- *2 For models with provision for side member lighting
- *3 For models with fog lights
- *4 For models with headlight range control



- ws = white
- sw = black
- ro = red
- rt = red
- br = brown
- gn = green
- bl = blue
- gr = grey
- li = purple
- vi = purple
- ge = yellow
- or = orange
- rs = pink

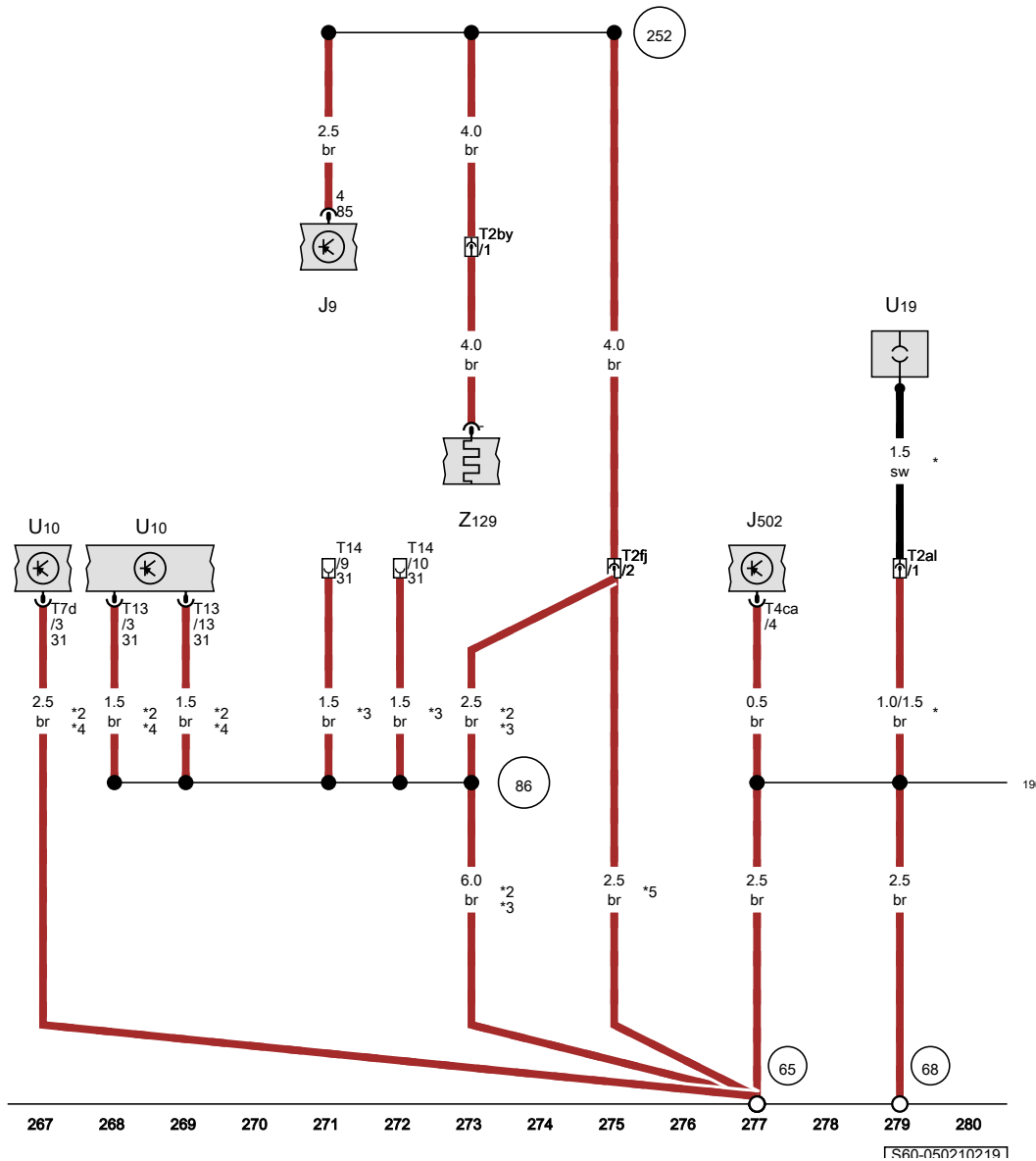
Heated rear window relay, Tyre Pressure Monitoring System control unit, 14-pin connector, Trailer socket, 12 V socket 3, Heated rear window for hardtop

- J9 Heated rear window relay, near rear lid, behind moulded headliner
- J502 Tyre Pressure Monitoring System control unit
- T2al 2-pin connector, black, Interface for rear left socket, on wheel housing
- T2by 2-pin connector, black, Coupling point for rear lid
- T2fj 2-pin connector, brown, on cross panel, rear, left
- T4ca 4-pin connector, grey
- T7d 7-pin connector, black, on rear skirt
- T13 13-pin connector, black, on rear skirt
- T14 14-pin connector, black, behind rear bumper on left
- U10 Trailer socket
- U19 12 V socket 3, on left wheel housing
- Z129 Heated rear window for hardtop, in rear lid

- 65 Earth point, on rear of left longitudinal member
- 68 Earth point, on left of rear cross member
- 86 Earth connection 1, in rear wiring harness
- 196 Earth connection 3, in rear wiring harness
- 252 Earth connection, in optional equipment wiring harness

- * For models with 12 V socket
- *2 For models with trailer socket
- *3 For models with preparation for trailer coupling
- *4 According to equipment
- *5 For models with no towing bracket

- ws = white
- sw = black
- ro = red
- rt = red
- br = brown
- gn = green
- bl = blue
- gr = grey
- li = purple
- vi = purple
- ge = yellow
- or = orange
- rs = pink

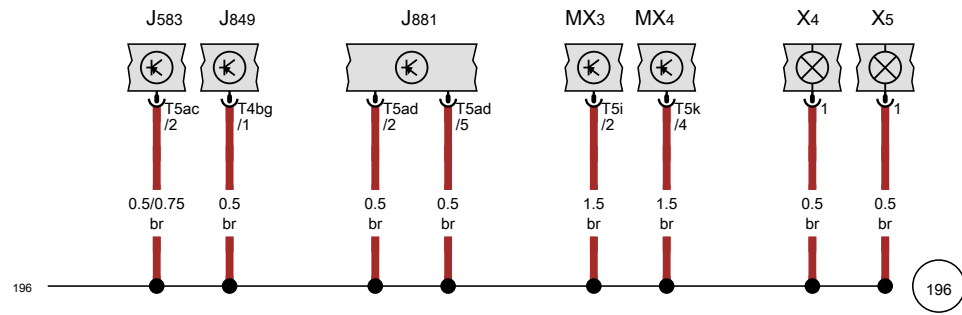


1S60-0502102191

Control unit for NOx sender, Control unit for sensor electronics, Control unit for NOx sender 2, Left tail light cluster, Right tail light cluster, Left number plate light, Right number plate light

- J583 Control unit for NOx sender
- J849 Control unit for sensor electronics
- J881 Control unit for NOx sender 2
- MX3 Left tail light cluster
- MX4 Right tail light cluster
- T4bg 4-pin connector, black
- T5ac 5-pin connector, black
- T5ad 5-pin connector, black
- T5i 5-pin connector, black
- T5k 5-pin connector, black
- X4 Left number plate light
- X5 Right number plate light

196 Earth connection 3, in rear wiring harness



- ws = white
- sw = black
- ro = red
- rt = red
- br = brown
- gn = green
- bl = blue
- gr = grey
- li = purple
- vi = purple
- ge = yellow
- or = orange
- rs = pink

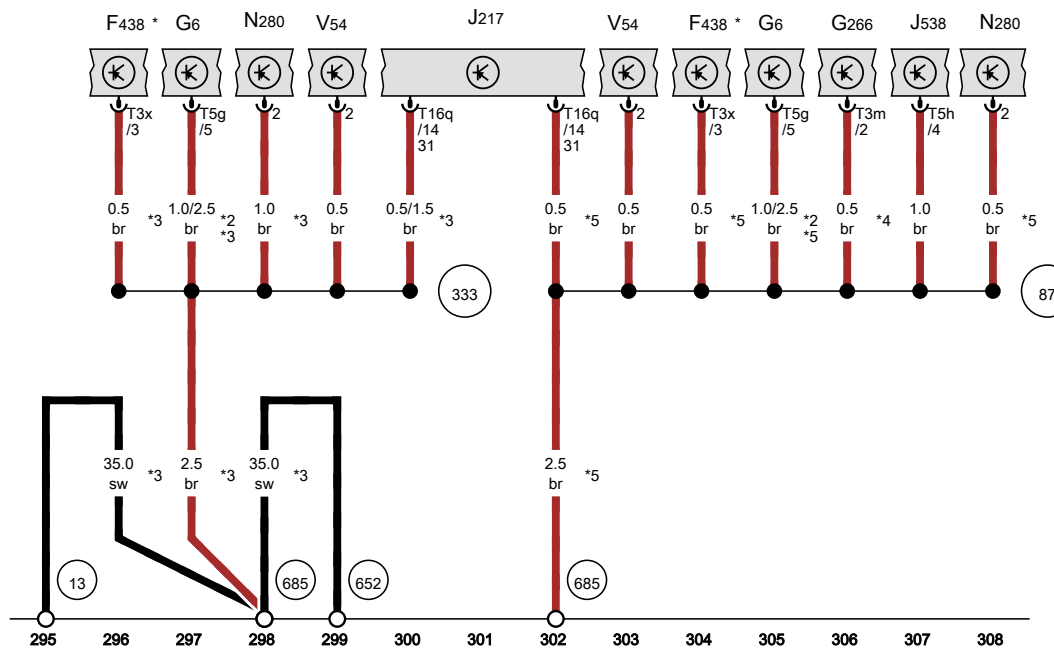
281 282 283 284 285 286 287 288 289 290 291 292 293 294

[560-050220219]

Transfer box inter-axe lock-up switch, Fuel system pressurisation pump, Oil level and oil temperature sender, Automatic gearbox control unit, Fuel pump control unit, Air conditioner compressor regulating valve, Metering pump

- F438 Transfer box inter-axe lock-up switch
- G6 Fuel system pressurisation pump
- G266 Oil level and oil temperature sender
- J217 Automatic gearbox control unit
- J538 Fuel pump control unit, on fuel tank
- N280 Air conditioner compressor regulating valve
- T3m 3-pin connector, black
- T3x 3-pin connector, black
- T5g 5-pin connector, black
- T5h 5-pin connector, black
- T16q 16-pin connector, black
- V54 Metering pump

- 13 Earth point, on right in engine compartment
- 87 Earth connection 2, in rear wiring harness
- 333 Earth connection 5, in rear wiring harness
- 652 Earth point, engine and gearbox earth
- 685 Earth point 1, on front of right longitudinal member



- ws = white
- sw = black
- ro = red
- rt = red
- br = brown
- gn = green
- bl = blue
- gr = grey
- li = purple
- vi = purple
- ge = yellow
- or = orange
- rs = pink

1560-0502302191

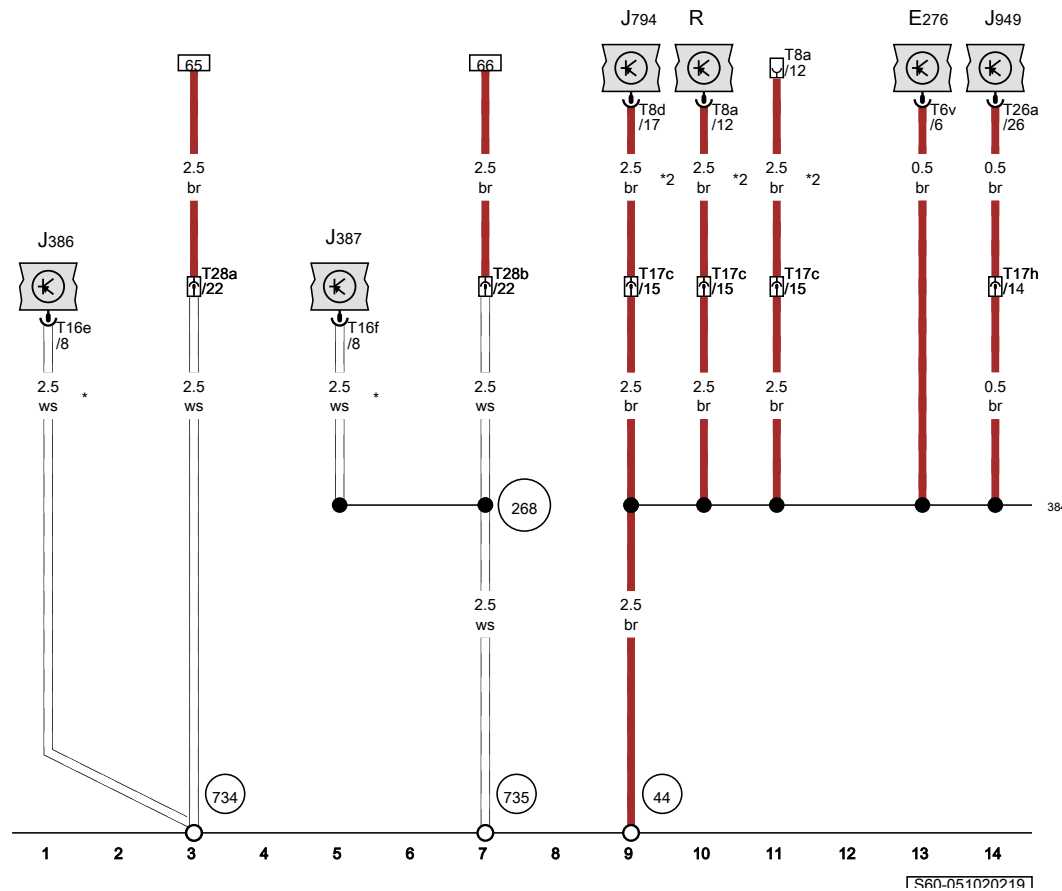
Earthing concept , (L0L)

From January 2017

Emergency assistance call button, Driver door control unit, Front passenger door control unit, Control unit 1 for information electronics, Emergency call module control unit and communication unit, Radio

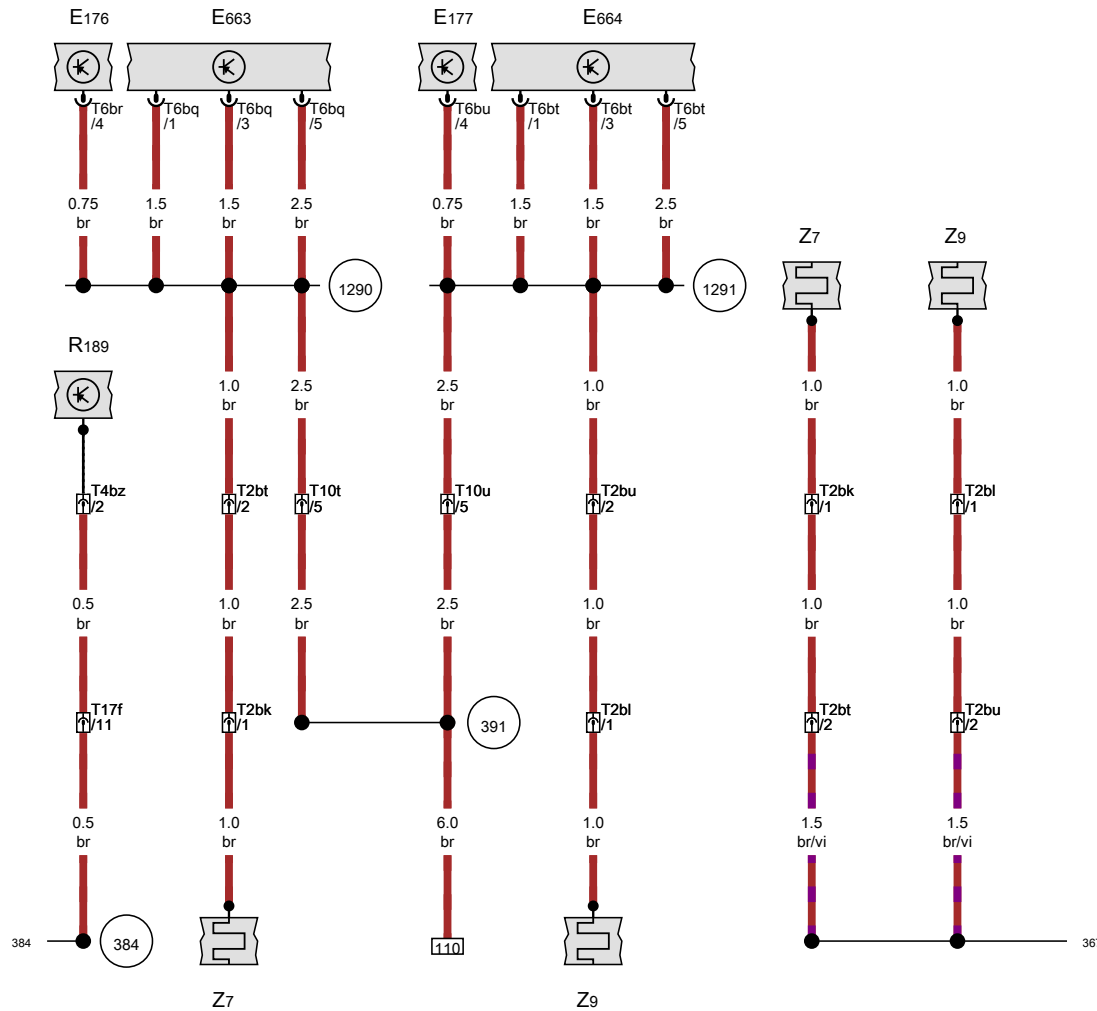
- E276 Emergency assistance call button
- J386 Driver door control unit
- J387 Front passenger door control unit
- J794 Control unit 1 for information electronics
- J949 Emergency call module control unit and communication unit
- R Radio
- T6v 6-pin connector, brown
- T8a 8-pin connector, black, in slot for radio, centre of dash panel
- T8d 8-pin connector, black, in slot for radio, centre of dash panel
- T16e 16-pin connector, black
- T16f 16-pin connector, black
- T17c 17-pin connector, white, behind dash panel
- T17h 17-pin connector, blue, behind dash panel
- T26a 26-pin connector, black
- T28a 28-pin connector, black, on left A-pillar
- T28b 28-pin connector, black, on right A-pillar

- 44 Earth point, lower part of left A-pillar
- 268 Earth connection 2, in front passenger side door wiring harness
- 384 Earth connection 19, in main wiring harness
- 734 Earth point in front left door
- 735 Earth point in front right door
- * For models with electric window regulators
- *2 see applicable current flow diagram for radio system



- ws = white
- sw = black
- ro = red
- rt = red
- br = brown
- gn = green
- bl = blue
- gr = grey
- li = purple
- vi = purple
- ge = yellow
- or = orange
- rs = pink

1560-0510202191



Driver seat lumbar support adjustment switch, Front passenger seat lumbar support adjustment switch, Switch module for driver seat, Switch module for front passenger seat, Reversing camera

- E176 Driver seat lumbar support adjustment switch
- E177 Front passenger seat lumbar support adjustment switch
- E663 Switch module for driver seat
- E664 Switch module for front passenger seat
- R189 Reversing camera
- T2bk 2-pin connector, black, in seat
- T2bl 2-pin connector, black, in seat
- T2bt 2-pin connector, black, under seat on front left
- T2bu 2-pin connector, black, under seat on front right
- T4bz 4-pin connector, black, on longitudinal member, rear, left
- T6bq 6-pin connector, black
- T6br 6-pin connector, black
- T6bt 6-pin connector, black
- T6bu 6-pin connector, black
- T10t 10-pin connector, black, under driver seat
- T10u 10-pin connector, black, under front passenger seat
- T17f 17-pin connector, blue, near handbrake lever
- Z7 Heated backrest for driver seat
- Z9 Heated backrest for front passenger seat

- 367 Earth connection 2, in main wiring harness
- 384 Earth connection 19, in main wiring harness
- 391 Earth connection 26, in main wiring harness
- 1290 Earth connection 1, in front left seat wiring harness
- 1291 Earth connection 1, in front right seat wiring harness

- ws = white
- sw = black
- ro = red
- rt = red
- br = brown
- gn = green
- bl = blue
- gr = grey
- li = purple
- vi = purple
- ge = yellow
- or = orange
- rs = pink

15 16 17 18 19 20 21 22 23 24 25 26 27 28

[S60-051030219]

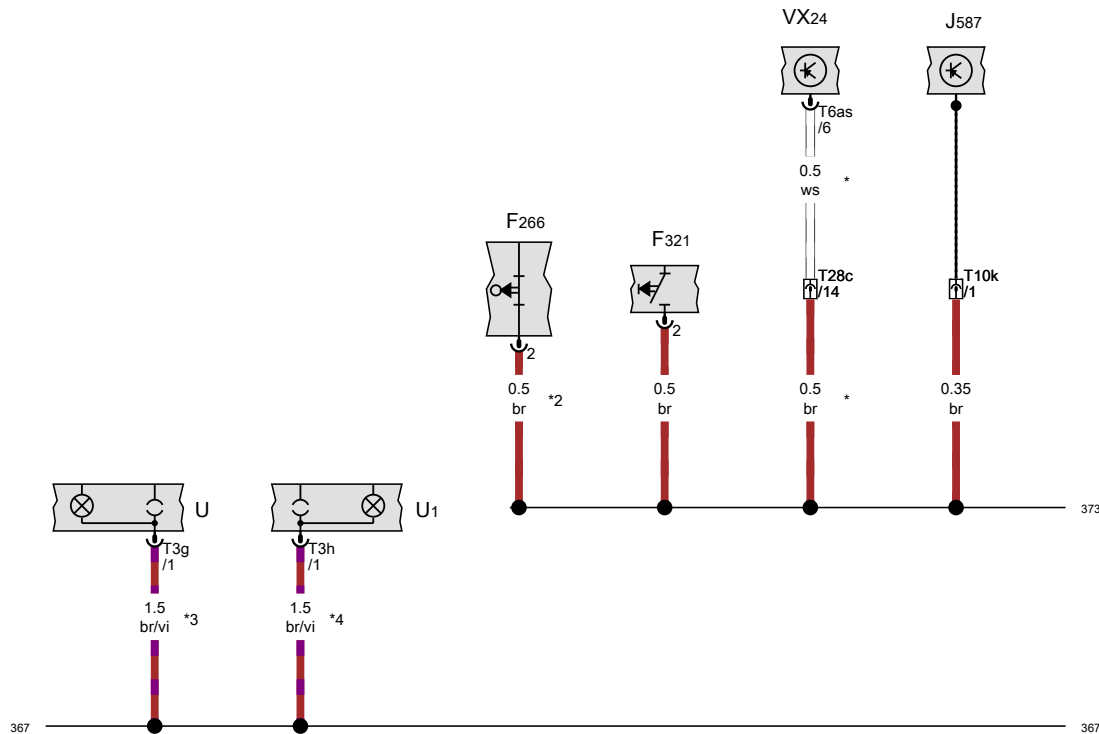
Bonnet contact switch, Parking brake contact switch, Selector lever sensors control unit, Electric socket, Cigarette lighter, Rear right door lock unit

- F266 Bonnet contact switch
- F321 Parking brake contact switch
- J587 Selector lever sensors control unit
- T3g 3-pin connector, transparent
- T3h 3-pin connector, transparent
- T6as 6-pin connector, black
- T10k 10-pin connector, black, in centre console, near handbrake lever
- T28c 28-pin connector, black, on right B-pillar
- U Electric socket, on centre console switch module
- U1 Cigarette lighter, on centre console switch module
- VX24 Rear right door lock unit

367 Earth connection 2, in main wiring harness

373 Earth connection 8, in main wiring harness

- * For models with double cab
- *2 According to equipment
- *3 For models with 12 V socket
- *4 For smoker version models



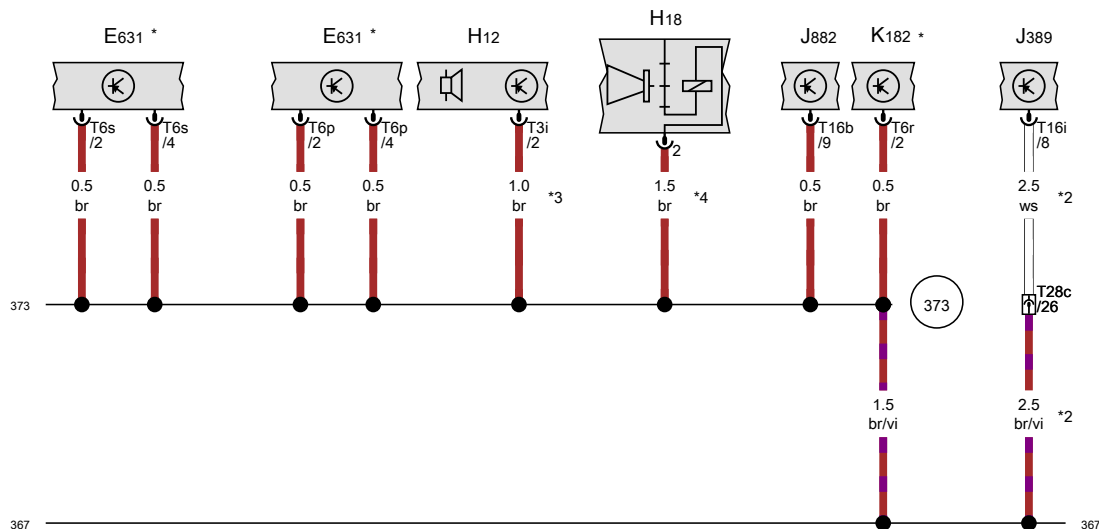
- ws = white
- sw = black
- ro = red
- rt = red
- br = brown
- gn = green
- bl = blue
- gr = grey
- li = purple
- vi = purple
- ge = yellow
- or = orange
- rs = pink

29 30 31 32 33 34 35 36 37 38 39 40 41 42

[S60-051040219]

Running gear program switch, Alarm horn, Rear right door control unit, Seat heating control unit, Reduction gearing warning lamp in transfer box operating unit

- E631 Running gear program switch, in centre console
- H12 Alarm horn
- H18 Alarm system horn
- J389 Rear right door control unit
- J882 Seat heating control unit
- K182 Reduction gearing warning lamp in transfer box operating unit, in centre console
- T3i 3-pin connector, black
- T6p 6-pin connector, black
- T6r 6-pin connector, brown
- T6s 6-pin connector, grey
- T16b 16-pin connector, black
- T16i 16-pin connector, black
- T28c 28-pin connector, black, on right B-pillar



367 Earth connection 2, in main wiring harness

373 Earth connection 8, in main wiring harness

- * For models with all-wheel drive
- *2 For models with double cab
- *3 For models with alarm horn
- *4 For models with no alarm horn

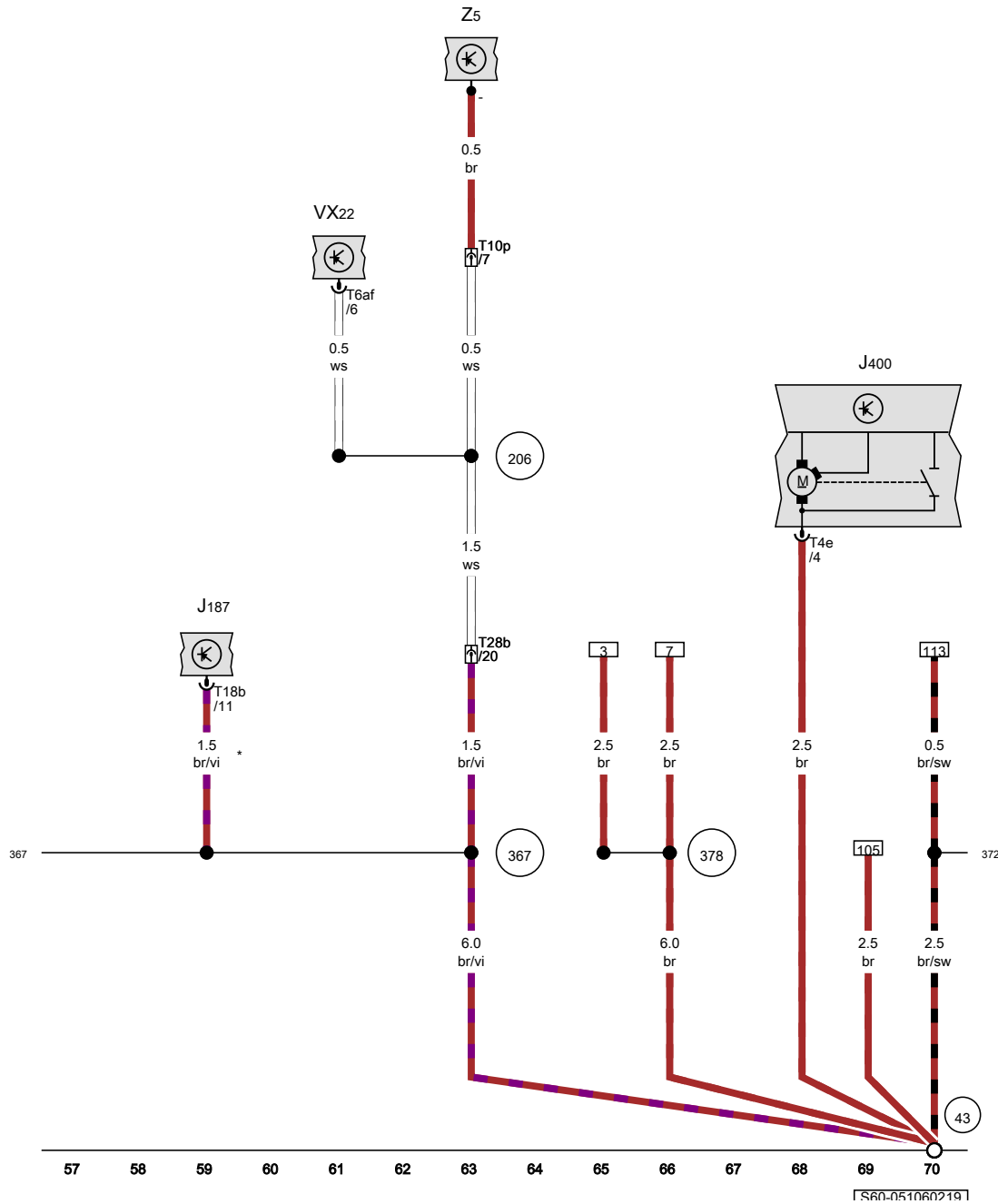
- ws = white
- sw = black
- ro = red
- rt = red
- br = brown
- gn = green
- bl = blue
- gr = grey
- li = purple
- vi = purple
- ge = yellow
- or = orange
- rs = pink

Differential lock control unit, Wiper motor control unit

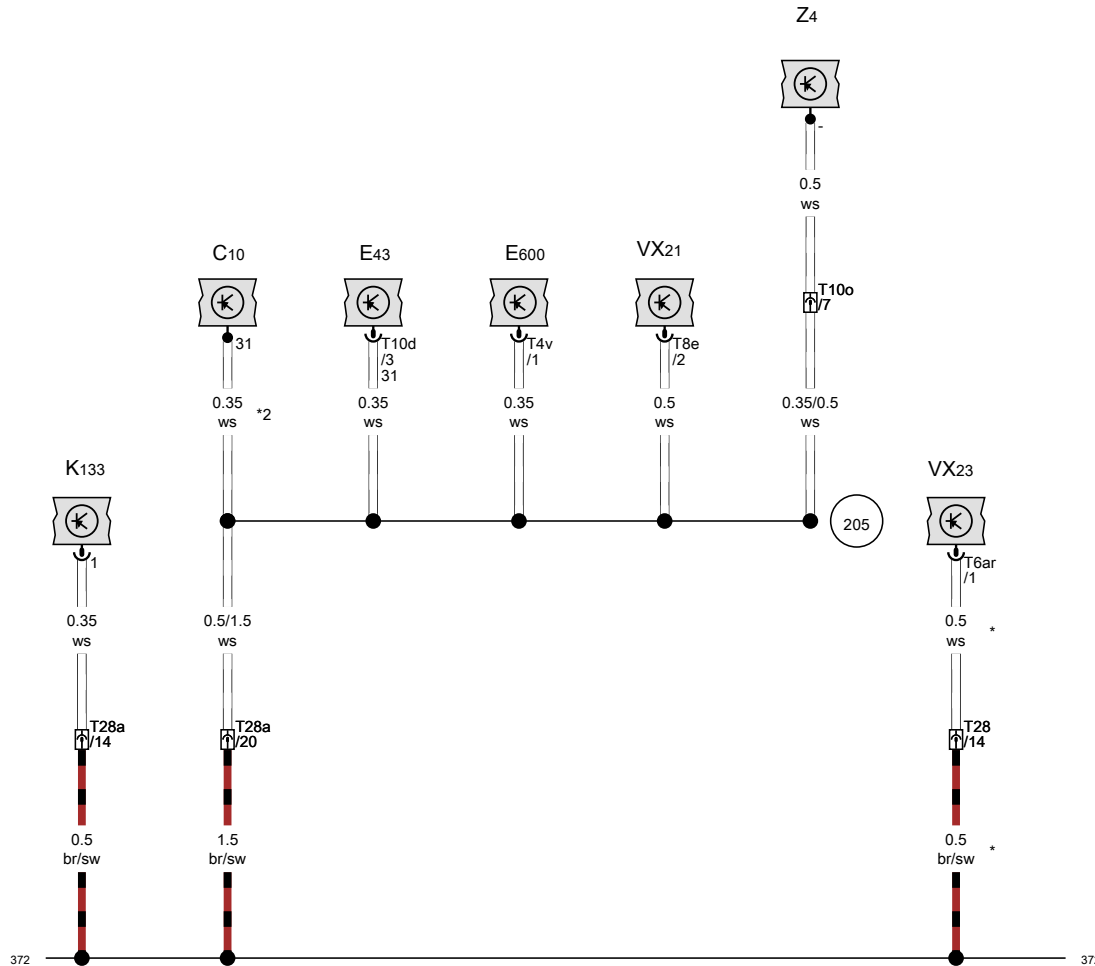
- J187 Differential lock control unit, in centre console, near handbrake lever
- J400 Wiper motor control unit
- T4e 4-pin connector, black
- T6af 6-pin connector, black
- T10p 10-pin connector, black, in right door, near exterior mirror
- T18b 18-pin connector, black
- T28b 28-pin connector, black, on right A-pillar
- VX22 Front passenger door lock unit
- Z5 Heated exterior mirror on passenger side

- 43 Earth point, lower part of right A-pillar
- 206 Earth connection, in front passenger door wiring harness
- 367 Earth connection 2, in main wiring harness
- 372 Earth connection 7, in main wiring harness
- 378 Earth connection 13, in main wiring harness

* For models with rear differential lock



Suppression filter, Mirror adjustment switch, Central locking button, Central locking SAFELOCK function warning lamp, Driver door lock unit, Rear left door lock unit, Heated exterior mirror on driver side



- C10 Suppression filter, in left door
- E43 Mirror adjustment switch, in driver door
- E600 Central locking button, in driver door
- K133 Central locking SAFELOCK function warning lamp
- T4v 4-pin connector, black
- T6ar 6-pin connector, black
- T8e 8-pin connector, black
- T10d 10-pin connector, black
- T10o 10-pin connector, black, in left door, near exterior mirror
- T28 28-pin connector, black, on left B-pillar
- T28a 28-pin connector, black, on left A-pillar
- VX21 Driver door lock unit
- VX23 Rear left door lock unit
- Z4 Heated exterior mirror on driver side

205 Earth connection, in driver door wiring harness

372 Earth connection 7, in main wiring harness

* For models with double cab

*2 According to equipment

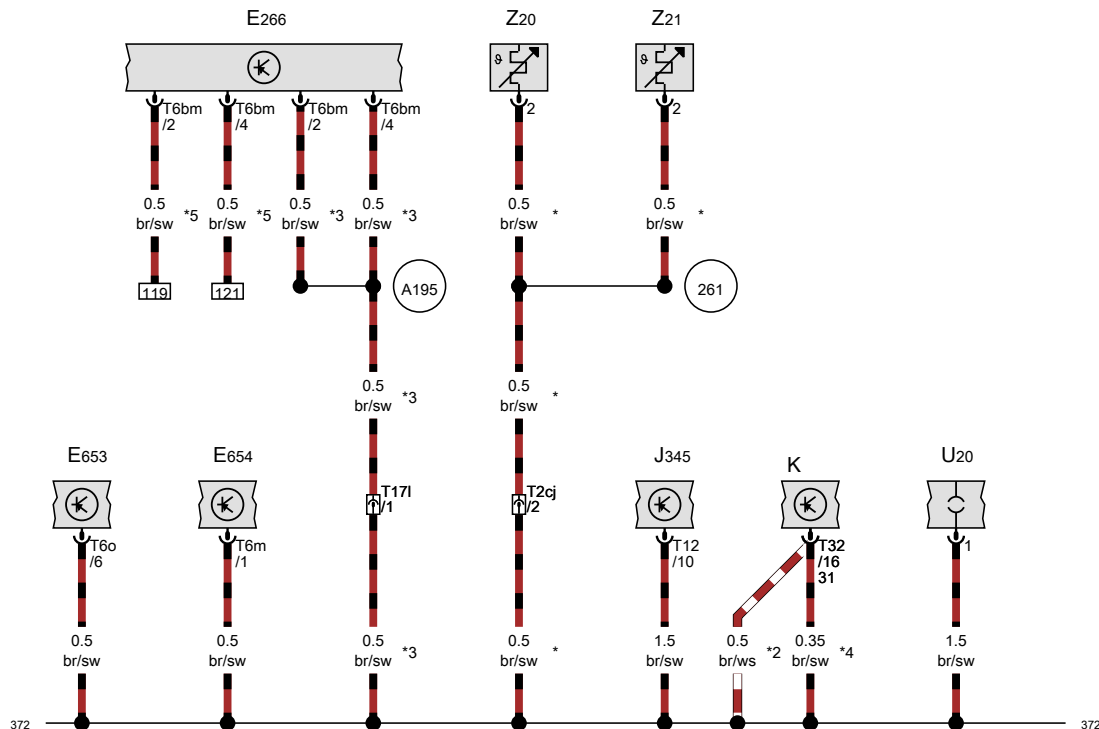
- ws = white
- sw = black
- ro = red
- rt = red
- br = brown
- gn = green
- bl = blue
- gr = grey
- li = purple
- vi = purple
- ge = yellow
- or = orange
- rs = pink

71 72 73 74 75 76 77 78 79 80 81 82 83 84

[S60-051070219]

Parking aid button, Button for left seat heating, Button for right seat heating, Trailer detector control unit, Dash panel insert, 12 V socket 4, Left washer jet heater element

- E266 Parking aid button
- E653 Button for left seat heating
- E654 Button for right seat heating
- J345 Trailer detector control unit
- K Dash panel insert
- T2cj 2-pin connector, black, near window wiper motor
- T6bm 6-pin connector, white
- T6m 6-pin connector, white
- T6o 6-pin connector, white
- T12 12-pin connector, red
- T17l 17-pin connector, brown, behind dash panel
- T32 32-pin connector, blue
- U20 12 V socket 4
- Z20 Left washer jet heater element
- Z21 Right washer jet heater element

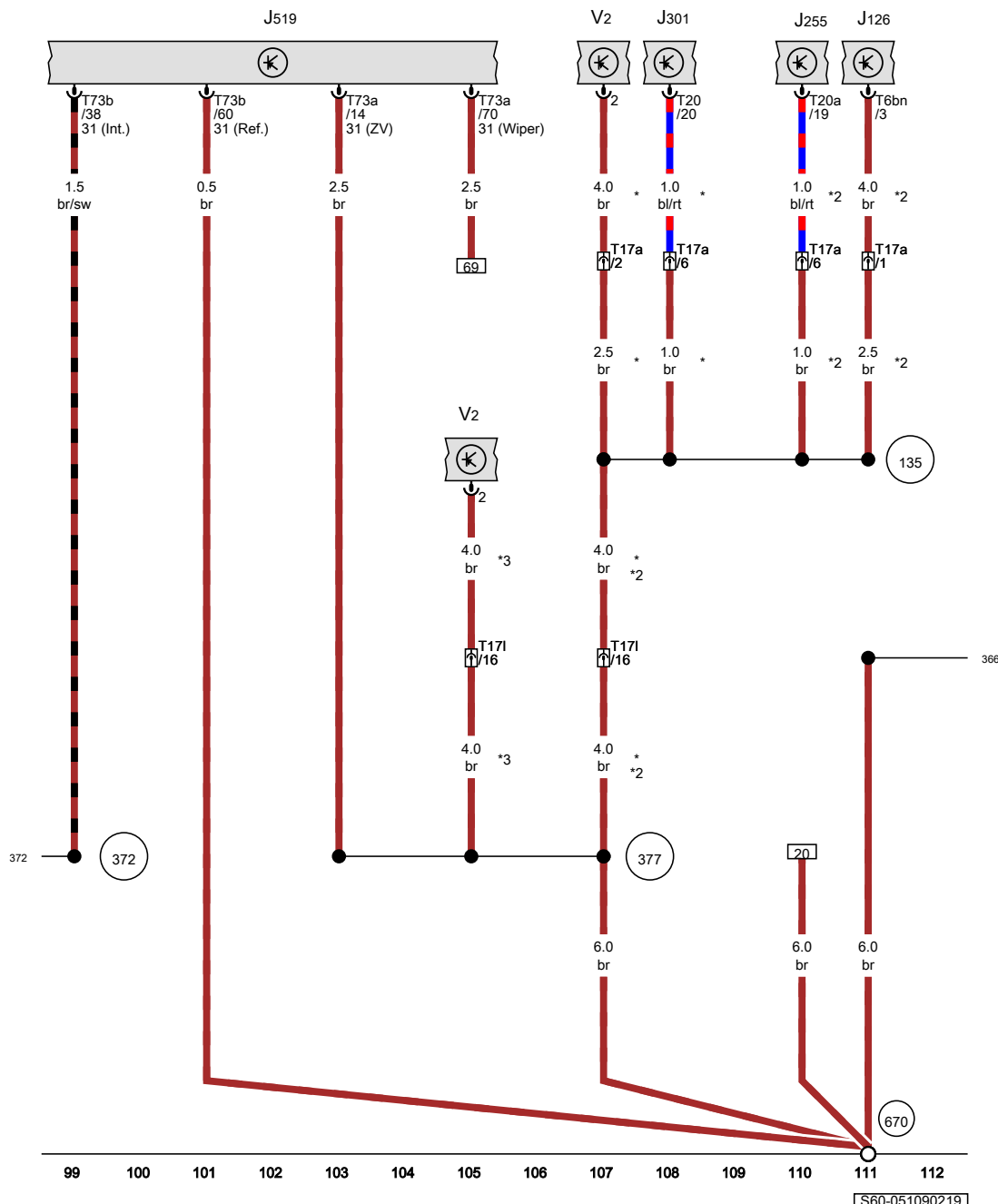


- 261 Earth connection, in heated washer jet wiring harness
- 372 Earth connection 7, in main wiring harness
- A195 Connection 1 (PDC), in dash panel insert wiring harness
- * For models with heated washer jets
- *2 Up to July 2017
- *3 Up to January 2018
- *4 From July 2017
- *5 From January 2018

- ws = white
- sw = black
- ro = red
- rt = red
- br = brown
- gn = green
- bl = blue
- gr = grey
- li = purple
- vi = purple
- ge = yellow
- or = orange
- rs = pink

85 86 87 88 89 90 91 92 93 94 95 96 97 98

[S60-051080219]

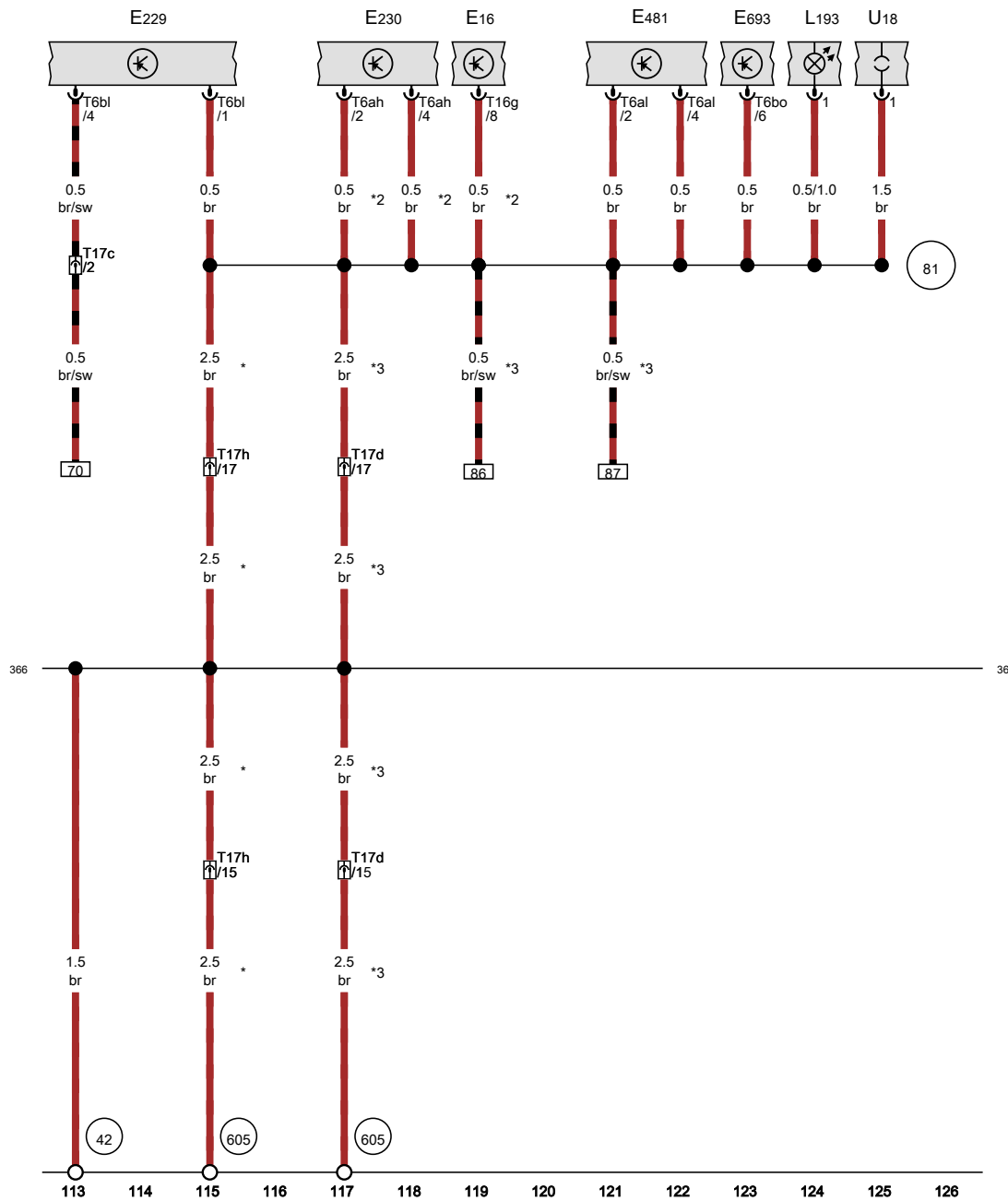


Fresh air blower control unit, Climatronic control unit, Air conditioning system control unit, Fresh air blower

- J126 Fresh air blower control unit
 - J255 Climatronic control unit, in centre of dash panel
 - J301 Air conditioning system control unit
 - J519 Onboard supply control unit
 - T6bn 6-pin connector, black
 - T17a 17-pin connector, black, behind glove compartment
 - T171 17-pin connector, brown, behind dash panel
 - T20 20-pin connector, black
 - T20a 20-pin connector, black
 - T73a 73-pin connector, black
 - T73b 73-pin connector, colourless
 - V2 Fresh air blower
- 135 Earth connection 2, in dash panel wiring harness
 - 366 Earth connection 1, in main wiring harness
 - 372 Earth connection 7, in main wiring harness
 - 377 Earth connection 12, in main wiring harness
 - 670 Earth point 2, left A-pillar
- * For models with Climatic
 - *2 For models with Climatronic
 - *3 For models with no air conditioning system/Climatronic

ws = white
 sw = black
 ro = red
 rt = red
 br = brown
 gn = green
 bl = blue
 gr = grey
 li = purple
 vi = purple
 ge = yellow
 or = orange
 rs = pink

[S60-051090219]



TS60-051100219

Heater/heat output switch, Hazard warning lights button, Heated rear window button, Load area illumination switch, Start/Stop operation button, Light 1 for front centre console background lighting, 12 V socket 2

- E16 Heater/heat output switch
- E229 Hazard warning lights button
- E230 Heated rear window button
- E481 Load area illumination switch
- E693 Start/Stop operation button
- L193 Light 1 for front centre console background lighting, in centre console, under radio
- T6ah 6-pin connector, near radio
- T6al 6-pin connector, red
- T6bl 6-pin connector, black, near radio
- T6bo 6-pin connector, grey
- T16g 16-pin connector, black
- T17c 17-pin connector, white, behind dash panel
- T17d 17-pin connector, green, behind dash panel
- T17h 17-pin connector, blue, behind dash panel
- U18 12 V socket 2, in centre of dash panel, in storage compartment

42 Earth point, next to steering column

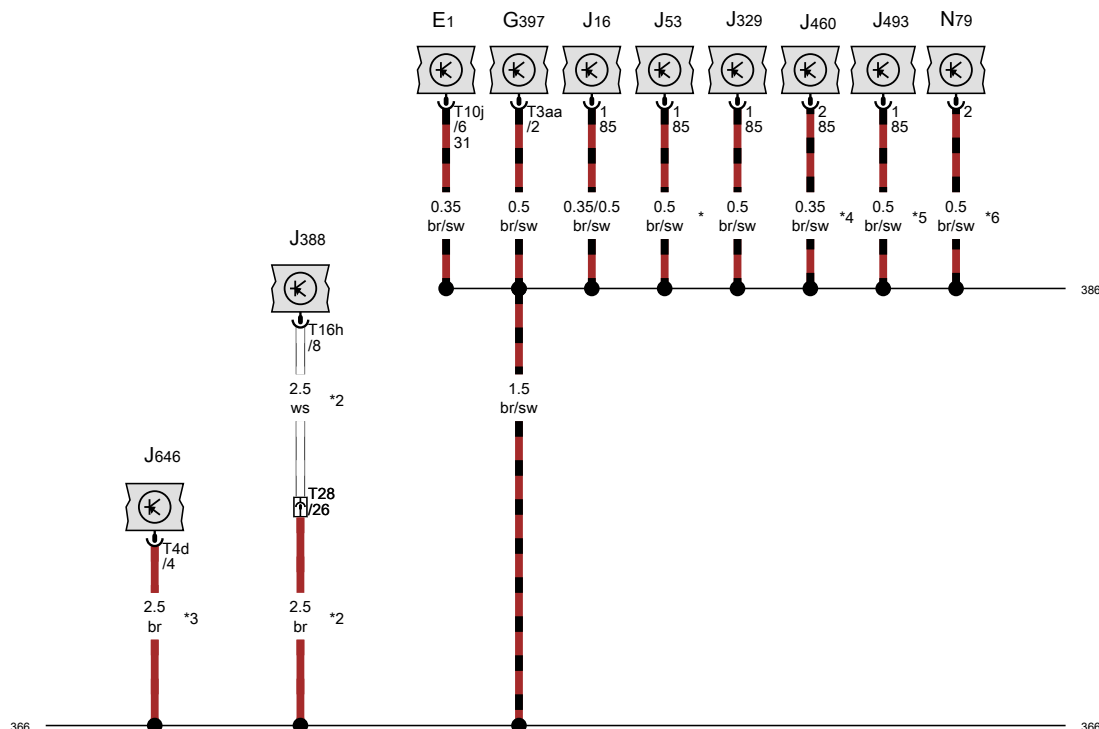
81 Earth connection 1, in dash panel wiring harness

366 Earth connection 1, in main wiring harness

605 Earth point, on top end of steering column

- * Up to January 2018
- *2 For models with no air conditioning system/Climatronic
- *3 From January 2018

- ws = white
- sw = black
- ro = red
- rt = red
- br = brown
- gn = green
- bl = blue
- gr = grey
- li = purple
- vi = purple
- ge = yellow
- or = orange
- rs = pink



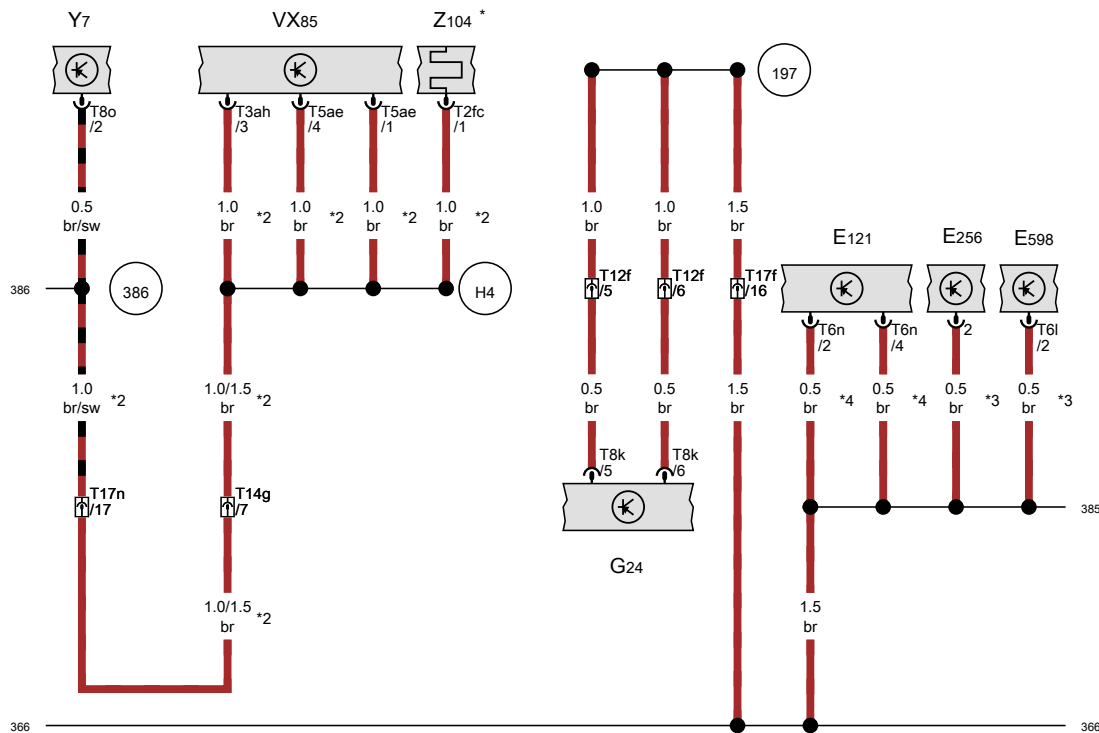
Light switch, Rain and light sensor, Current supply relay, Starter motor relay, Terminal 15 voltage supply relay, Rear left door control unit, Alarm system relay 1, Auxiliary coolant heater relay, Transfer box control unit, Heater element for crankcase breather

- E1 Light switch
- G397 Rain and light sensor
- J16 Current supply relay
- J53 Starter motor relay
- J329 Terminal 15 voltage supply relay
- J388 Rear left door control unit
- J460 Alarm system relay 1
- J493 Auxiliary coolant heater relay
- J646 Transfer box control unit
- N79 Heater element for crankcase breather
- T3aa 3-pin connector, black
- T4d 4-pin connector, brown
- T10j 10-pin connector, black
- T16h 16-pin connector, black
- T28 28-pin connector, black, on left B-pillar

- 366 Earth connection 1, in main wiring harness
- 386 Earth connection 21, in main wiring harness

- * For models with no start/stop system
- *2 For models with double cab
- *3 For models with all-wheel drive
- *4 For models with no alarm horn
- *5 see applicable current flow diagram for air conditioning
- *6 For models with crankcase breather heater element

- ws = white
- sw = black
- ro = red
- rt = red
- br = brown
- gn = green
- bl = blue
- gr = grey
- li = purple
- vi = purple
- ge = yellow
- or = orange
- rs = pink



Rear differential lock switch, Button for TCS and electronic stabilisation program, Driving program button, Tachograph, Reducing agent tank, Automatic anti-dazzle interior mirror, Heater for reducing agent line (heater circuit 2)

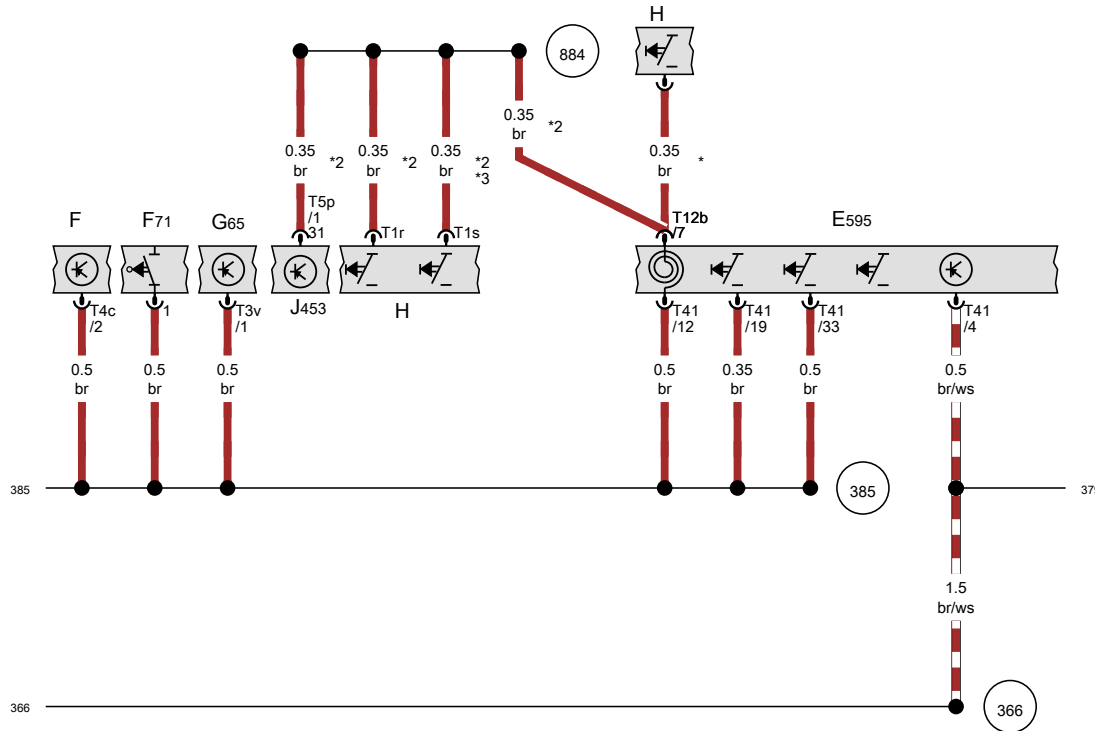
- E121 Rear differential lock switch, in centre console
- E256 Button for TCS and electronic stabilisation program
- E598 Driving program button
- G24 Tachograph
- T2fc 2-pin connector, black
- T3ah 3-pin connector, black
- T5ae 5-pin connector, black
- T6i 6-pin connector, red
- T6n 6-pin connector, brown
- T8k 8-pin connector, colourless
- T8o 8-pin connector, black
- T12f 12-pin connector, black, near handbrake lever
- T14g 14-pin connector, grey, rear
- T17f 17-pin connector, blue, near handbrake lever
- T17n 17-pin connector, green, near handbrake lever
- VX85 Reducing agent tank
- Y7 Automatic anti-dazzle interior mirror, on interior mirror
- Z104 Heater for reducing agent line (heater circuit 2)

- 197 Earth connection 4, in rear wiring harness
- 366 Earth connection 1, in main wiring harness
- 385 Earth connection 20, in main wiring harness
- 386 Earth connection 21, in main wiring harness
- H4 Connection 2 in wiring harness for reducing agent tank

- * Pre-wired component
- *2 For models with 3.0l engine
- *3 According to equipment
- *4 For models with rear differential lock

- ws = white
- sw = black
- ro = red
- rt = red
- br = brown
- gn = green
- bl = blue
- gr = grey
- li = purple
- vi = purple
- ge = yellow
- or = orange
- rs = pink

Steering column combination switch, Brake light switch, Clutch pedal switch for stop/start system, High-pressure sender, Horn plate, Multifunction steering wheel control unit



- E595 Steering column combination switch
- F Brake light switch
- F71 Clutch pedal switch for stop/start system
- G65 High-pressure sender
- H Horn plate
- J453 Multifunction steering wheel control unit
- T1r 1-pin connector, black
- T1s 1-pin connector, black
- T3v 3-pin connector, black
- T4c 4-pin connector, black
- T5p 5-pin connector, black
- T12b 12-pin connector, yellow
- T41 41-pin connector, grey

- 366 Earth connection 1, in main wiring harness
- 379 Earth connection 14, in main wiring harness
- 385 Earth connection 20, in main wiring harness
- 884 Earth connection 1 in steering wheel wiring harness
- * For models with no multifunction steering wheel
- *2 For models with multifunction steering wheel
- *3 According to equipment

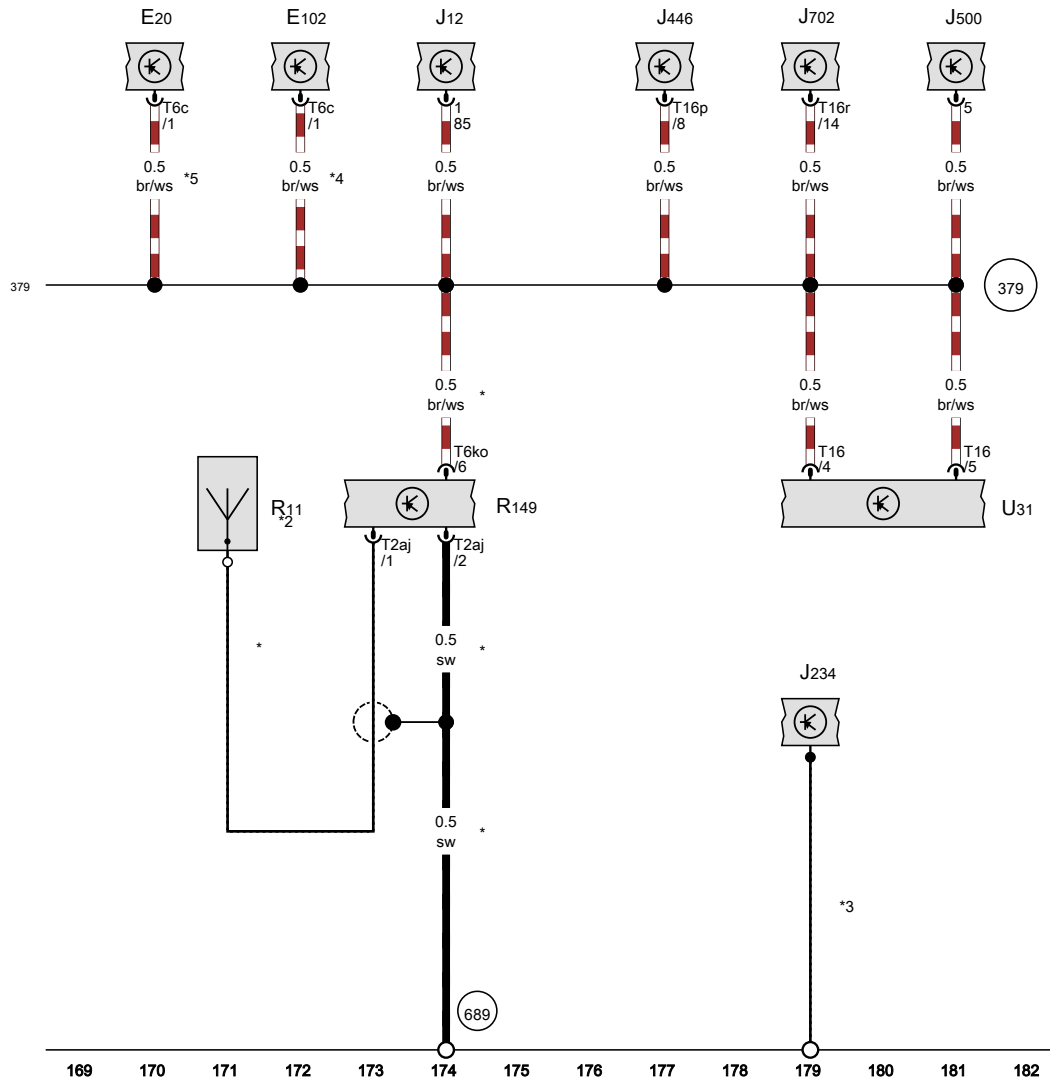
- ws = white
- sw = black
- ro = red
- rt = red
- br = brown
- gn = green
- bl = blue
- gr = grey
- li = purple
- vi = purple
- ge = yellow
- or = orange
- rs = pink

155 156 157 158 159 160 161 162 163 164 165 166 167 168

[S60-051130219]

Switch and instrument illumination regulator, Headlight range control regulator, Headlight main beam relay, Airbag control unit, Parking aid control unit, Power steering control unit, Roof display unit, Aerial, Remote control receiver for auxiliary coolant heater, Diagnostic connection

- E20 Switch and instrument illumination regulator
- E102 Headlight range control regulator
- J12 Headlight main beam relay
- J234 Airbag control unit, under centre console
- J446 Parking aid control unit, lower part of A-pillar, front passenger side
- J500 Power steering control unit
- J702 Roof display unit, near interior mirror
- R11 Aerial, behind right A-pillar trim
- R149 Remote control receiver for auxiliary coolant heater
- T2aj 2-pin connector, light brown
- T6c 6-pin connector, black
- T6ko 6-pin connector, blue
- T16 16-pin connector, black
- T16p 16-pin connector, brown
- T16r 16-pin connector, black
- U31 Diagnostic connection, near lower part of right A-pillar



- 379 Earth connection 14, in main wiring harness
- 689 Earth point, at front, central in roof
- * For models with remote control receiver for auxiliary coolant heater
- *2 Wiring open end
- *3 Earth supply via housing
- *4 For models with headlight range control
- *5 For models with dimmable instrument illumination

- ws = white
- sw = black
- ro = red
- rt = red
- br = brown
- gn = green
- bl = blue
- gr = grey
- li = purple
- vi = purple
- ge = yellow
- or = orange
- rs = pink

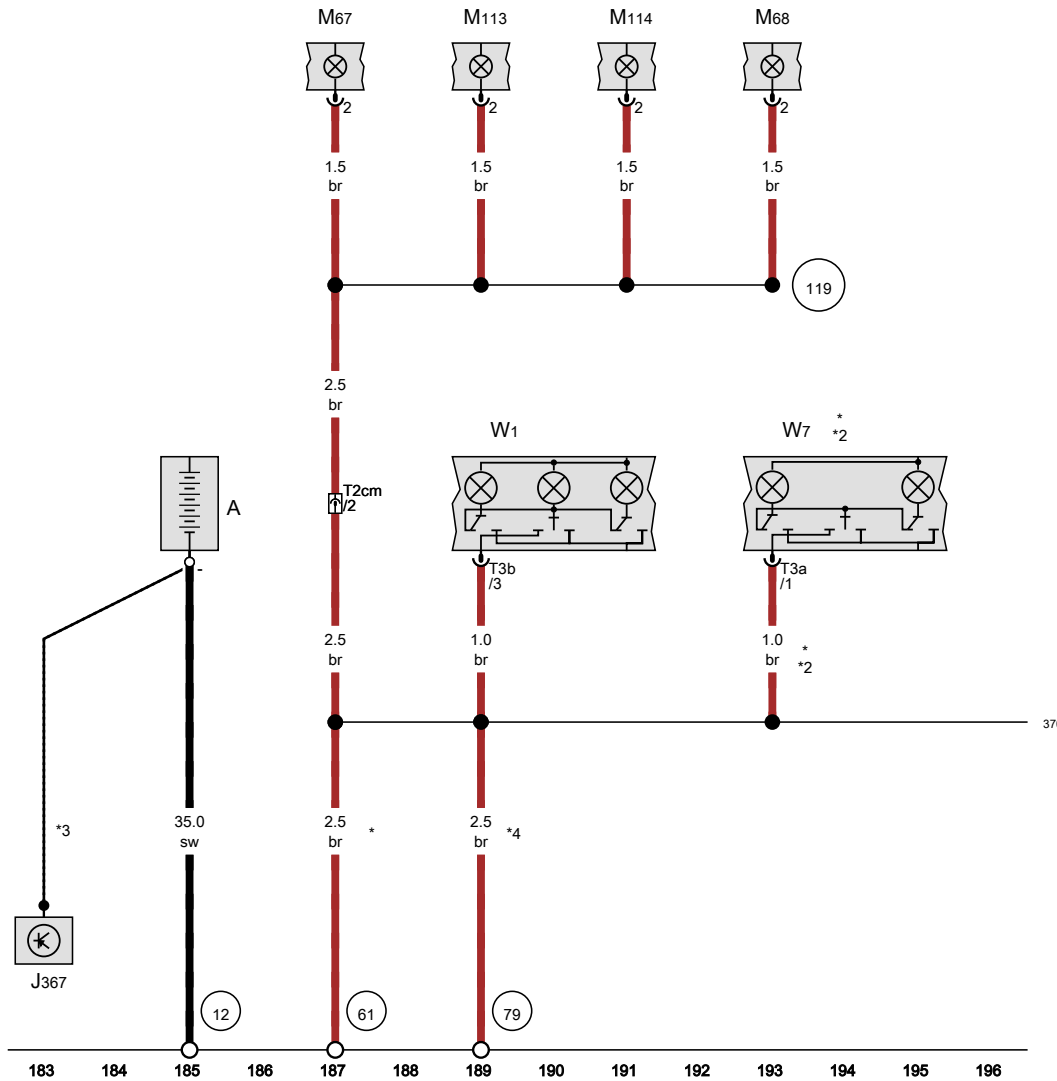
1S60-0511402191

Battery, Battery monitor control unit, Left additional main beam bulb, Right additional main beam bulb, Centre left additional main beam bulb, Centre right additional main beam bulb, Front interior light, Centre interior light

- A Battery
- J367 Battery monitor control unit
- M67 Left additional main beam bulb
- M68 Right additional main beam bulb
- M113 Centre left additional main beam bulb
- M114 Centre right additional main beam bulb
- T2cm 2-pin connector, black
- T3a 3-pin connector, black
- T3b 3-pin connector, black
- W1 Front interior light
- W7 Centre interior light

- 12 Earth point, on left in engine compartment
- 61 Earth point, left C-pillar
- 79 Earth point on left B-pillar
- 119 Earth connection 1, in headlight wiring harness
- 370 Earth connection 5, in main wiring harness

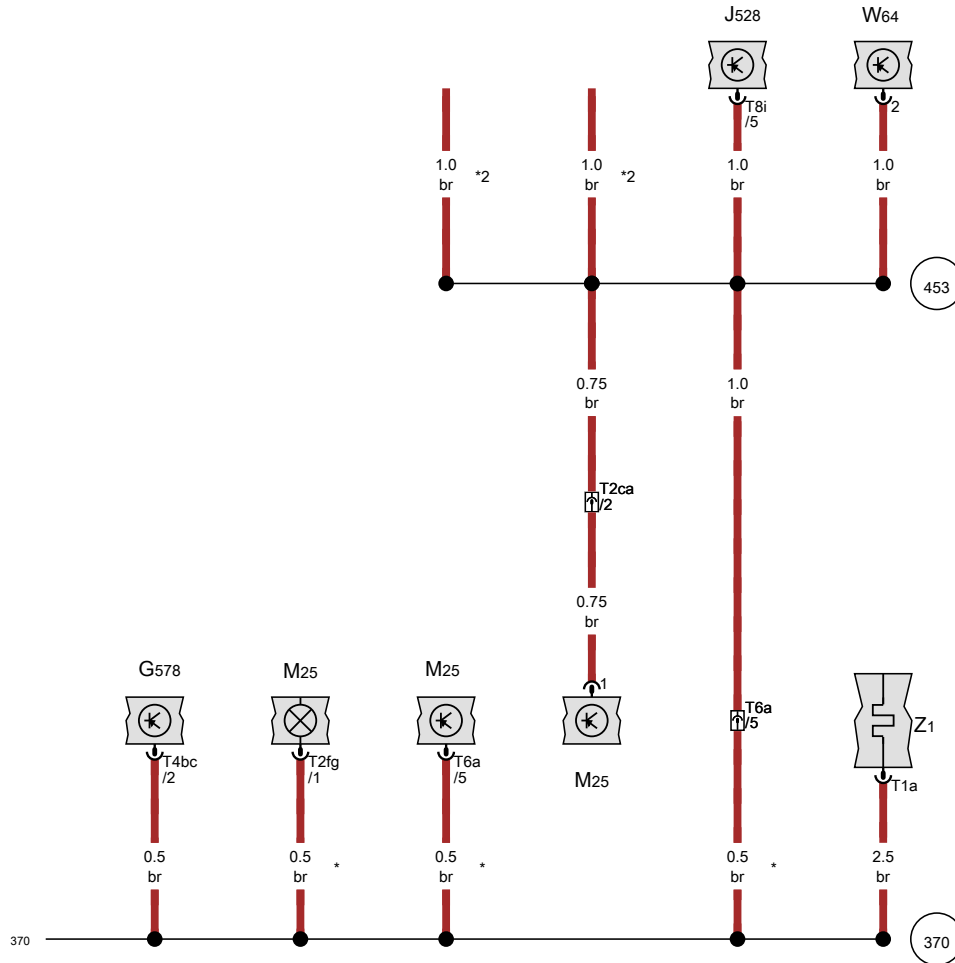
- * For models with double cab
- *2 For models with Highline equipment
- *3 For models with start/stop system
- *4 For models with single cab



- ws = white
- sw = black
- ro = red
- rt = red
- br = brown
- gn = green
- bl = blue
- gr = grey
- li = purple
- vi = purple
- ge = yellow
- or = orange
- rs = pink

[S60-051150219]

Anti-theft alarm sensor, Roof electronics control unit, High-level brake light bulb, Interior light, Heated rear window



- G578 Anti-theft alarm sensor
- J528 Roof electronics control unit, near rear lid, behind moulded headliner
- M25 High-level brake light bulb
- T1a 1-pin connector, black
- T2ca 2-pin connector, black, Coupling point for rear lid
- T2fg 2-pin connector, black
- T4bc 4-pin connector, brown
- T6a 6-pin connector, black, on rear roof module
- T8i 8-pin connector, black
- W64 Interior light
- Z1 Heated rear window

- 370 Earth connection 5, in main wiring harness
- 453 Earth connection 3, in optional equipment wiring harness
- * According to equipment
- *2 Wiring open end

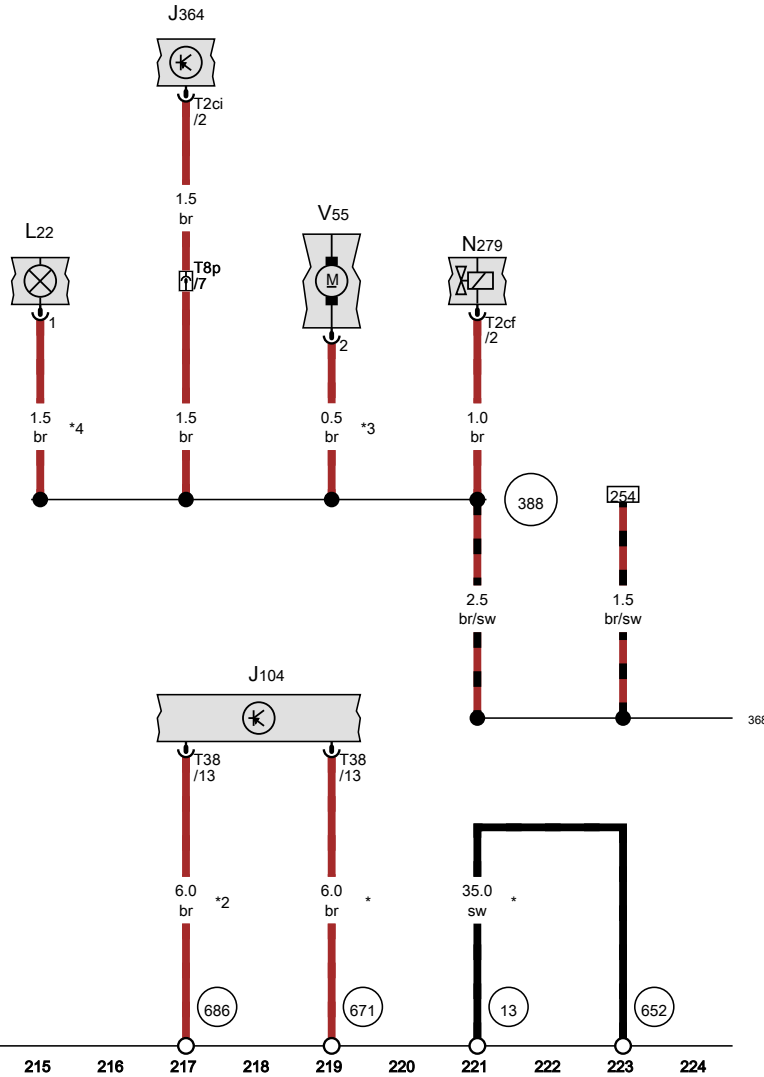
- ws = white
- sw = black
- ro = red
- rt = red
- br = brown
- gn = green
- bl = blue
- gr = grey
- li = purple
- vi = purple
- ge = yellow
- or = orange
- rs = pink

ABS control unit, Auxiliary heater control unit, Left fog light bulb, Heater coolant shut-off valve, Circulation pump

- J104 ABS control unit
- J364 Auxiliary heater control unit
- L22 Left fog light bulb
- N279 Heater coolant shut-off valve, front left in engine compartment
- T2cf 2-pin connector, black
- T2ci 2-pin connector, black
- T8p 8-pin connector, black, near battery
- T38 38-pin connector, black
- V55 Circulation pump

- 13 Earth point, on right in engine compartment
- 368 Earth connection 3, in main wiring harness
- 388 Earth connection 23, in main wiring harness
- 652 Earth point, engine and gearbox earth
- 671 Earth point 1, on front of left longitudinal member
- 686 Earth point 2, on front of right longitudinal member

- * For models with 2.0l engine
- *2 For models with 3.0l engine
- *3 see applicable current flow diagram for engine
- *4 For models with fog lights



- ws = white
- sw = black
- ro = red
- rt = red
- br = brown
- gn = green
- bl = blue
- gr = grey
- li = purple
- vi = purple
- ge = yellow
- or = orange
- rs = pink

[S60-051170219]

Treble horn, Radiator fan control unit, Left turn signal repeater bulb, Continued coolant circulation pump

- H2 Treble horn
- H7 Bass horn
- J293 Radiator fan control unit
- M18 Left turn signal repeater bulb
- T3e 3-pin connector, black, in rear left of engine compartment
- T3w 3-pin connector, black
- T4bh 4-pin connector, black, in rear left of engine compartment
- T4bj 4-pin connector, black, on radiator cowl
- T14c 14-pin connector, grey, near battery
- V51 Continued coolant circulation pump

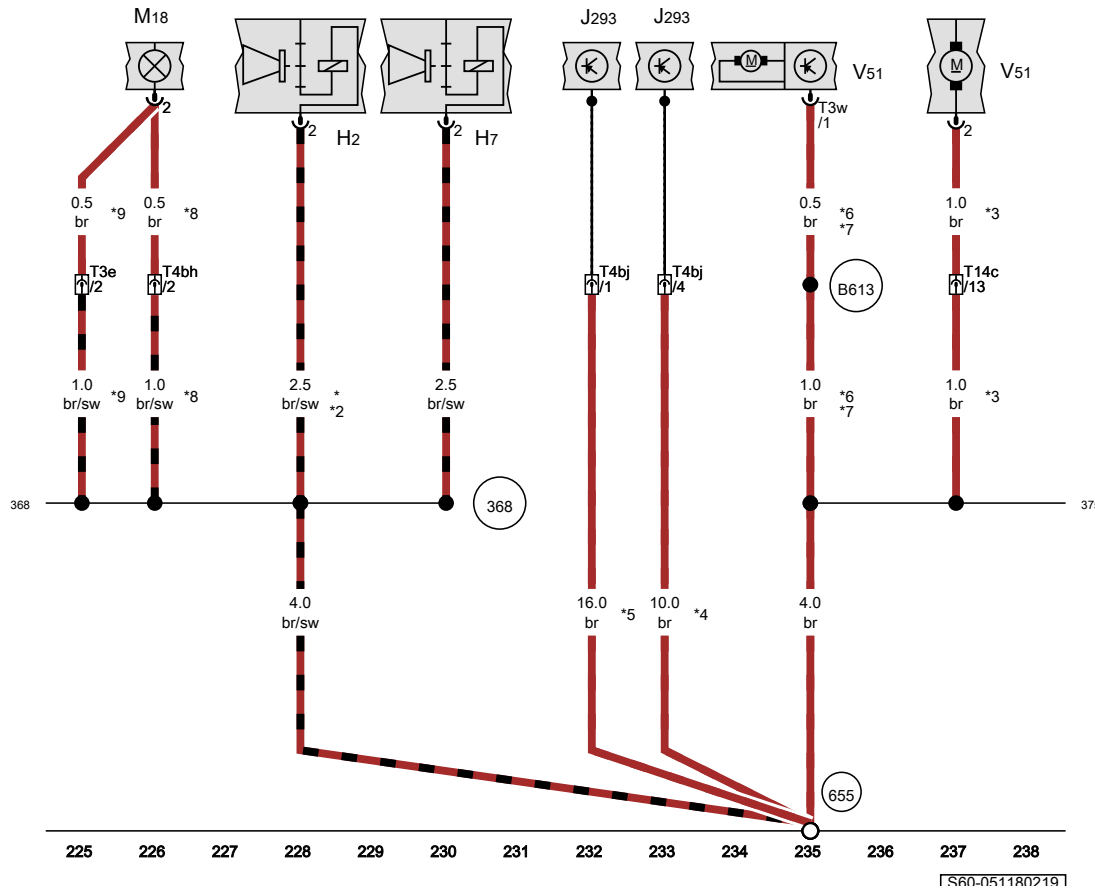
368 Earth connection 3, in main wiring harness

375 Earth connection 10, in main wiring harness

655 Earth point, on left headlight

B613 Connection 41, in main wiring harness





- * For models with Highline equipment
- *2 For models with Trendline equipment
- *3 For models with petrol engine
- *4 For models with low fan output
- *5 For models with increased fan output
- *6 For models with diesel engine
- *7 For models with Euro 5 emission standard
- *8 For models with provision for side member lighting
- *9 For models with no provision for side member lighting

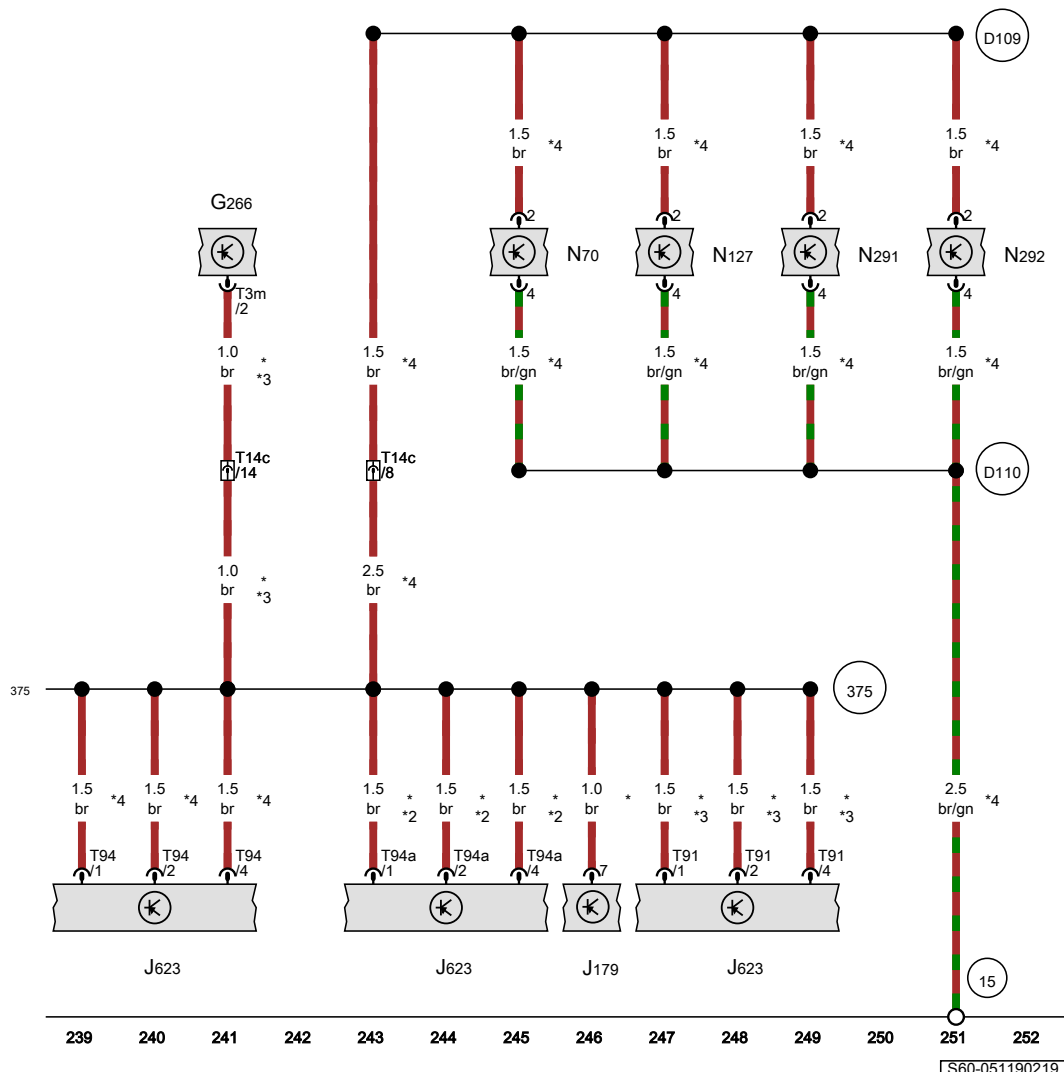


[S60-051180219]

Oil level and oil temperature sender, Automatic glow period control unit, Engine/motor control unit, Ignition coil 1 with output stage, Ignition coil 2 with output stage, Ignition coil 3 with output stage, Ignition coil 4 with output stage

- G266 Oil level and oil temperature sender
- J179 Automatic glow period control unit
- J623 Engine/motor control unit
- N70 Ignition coil 1 with output stage
- N127 Ignition coil 2 with output stage
- N291 Ignition coil 3 with output stage
- N292 Ignition coil 4 with output stage
- T3m 3-pin connector, black
- T14c 14-pin connector, grey, near battery
- T91 91-pin connector, black
- T94 94-pin connector, black
- T94a 94-pin connector, black

-  15 Earth point, on cylinder head
-  375 Earth connection 10, in main wiring harness
-  D109 Connection 7 in engine compartment wiring harness
-  D110 Connection 8 in engine compartment wiring harness
- * For models with diesel engine
- *2 For models with 2.0l engine
- *3 For models with 3.0l engine
- *4 For models with petrol engine



- ws = white
- sw = black
- ro = red
- rt = red
- br = brown
- gn = green
- bl = blue
- gr = grey
- li = purple
- vi = purple
- ge = yellow
- or = orange
- rs = pink

TS60-051190219

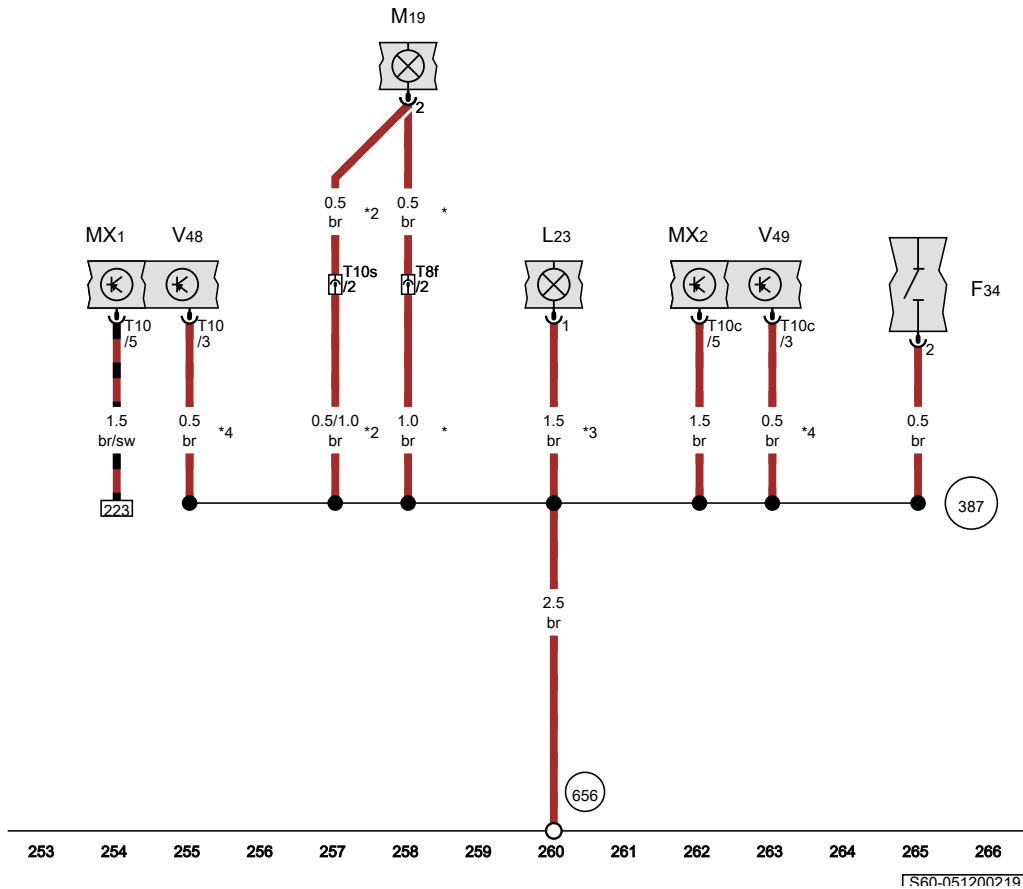
Brake fluid level warning contact, Right fog light bulb, Front left headlight, Front right headlight, Right turn signal repeater bulb, Left headlight range control motor, Right headlight range control motor

- F34 Brake fluid level warning contact
- L23 Right fog light bulb
- MX1 Front left headlight
- MX2 Front right headlight
- M19 Right turn signal repeater bulb
- T8f 8-pin connector, black, in rear right of engine compartment
- T10 10-pin connector, black
- T10c 10-pin connector, black
- T10s 10-pin connector, black, in rear right of engine compartment
- V48 Left headlight range control motor
- V49 Right headlight range control motor

387 Earth connection 22, in main wiring harness

656 Earth point, on right headlight, on right on bulkhead

- * For models with no provision for side member lighting
- *2 For models with provision for side member lighting
- *3 For models with fog lights
- *4 For models with headlight range control



- ws = white
- sw = black
- ro = red
- rt = red
- br = brown
- gn = green
- bl = blue
- gr = grey
- li = purple
- vi = purple
- ge = yellow
- or = orange
- rs = pink

[S60-051200219]

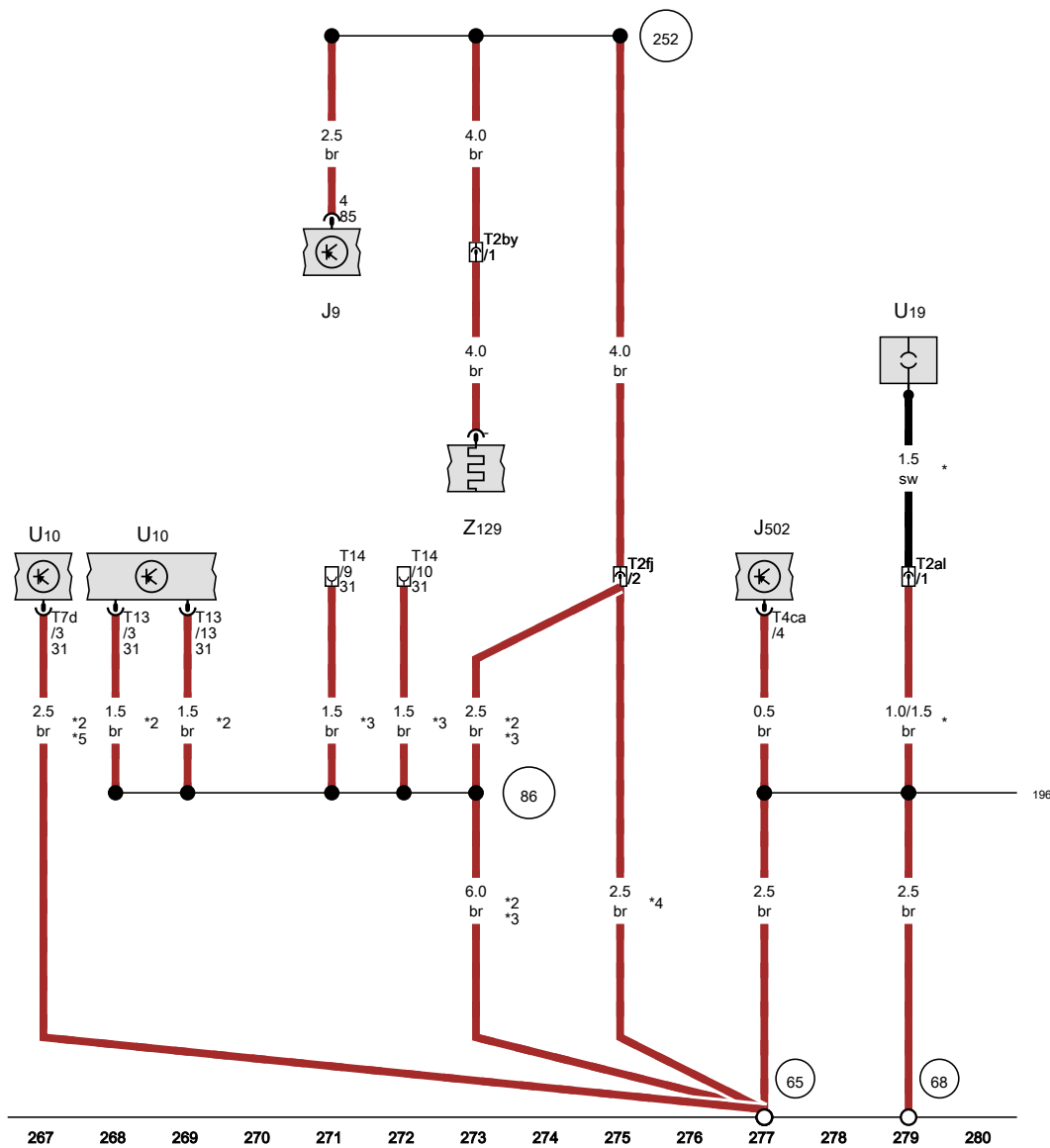
Heated rear window relay, Tyre Pressure Monitoring System control unit, 14-pin connector, Trailer socket, 12 V socket 3, Heated rear window for hardtop

- J9 Heated rear window relay, near rear lid, behind moulded headliner
- J502 Tyre Pressure Monitoring System control unit
- T2al 2-pin connector, black, Interface for rear left socket, on wheel housing
- T2by 2-pin connector, black, Coupling point for rear lid
- T2fj 2-pin connector, brown, on cross panel, rear, left
- T4ca 4-pin connector, grey
- T7d 7-pin connector, black, on rear skirt
- T13 13-pin connector, black, on rear skirt
- T14 14-pin connector, black, behind rear bumper on left
- U10 Trailer socket
- U19 12 V socket 3, on left wheel housing
- Z129 Heated rear window for hardtop, in rear lid

- 65 Earth point, on rear of left longitudinal member
- 68 Earth point, on left of rear cross member
- 86 Earth connection 1, in rear wiring harness
- 196 Earth connection 3, in rear wiring harness
- 252 Earth connection, in optional equipment wiring harness

- * For models with 12 V socket
- *2 For models with trailer socket
- *3 For models with preparation for trailer coupling
- *4 For models with no towing bracket
- *5 According to equipment

- ws = white
- sw = black
- ro = red
- rt = red
- br = brown
- gn = green
- bl = blue
- gr = grey
- li = purple
- vi = purple
- ge = yellow
- or = orange
- rs = pink

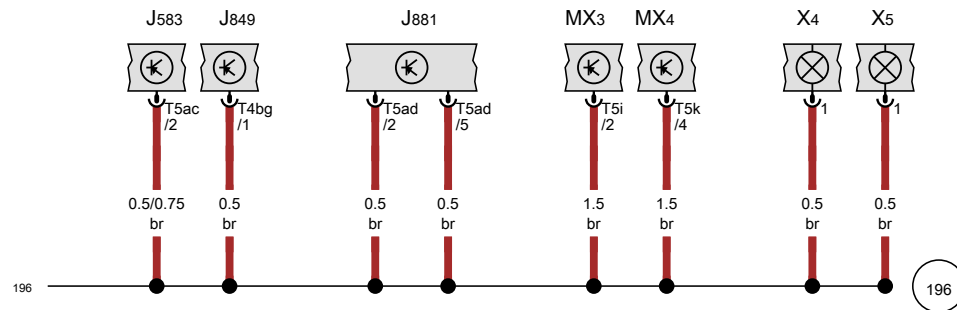


1S60-0512102191

Control unit for NOx sender, Control unit for sensor electronics, Control unit for NOx sender 2, Left tail light cluster, Right tail light cluster, Left number plate light, Right number plate light

- J583 Control unit for NOx sender
- J849 Control unit for sensor electronics
- J881 Control unit for NOx sender 2
- MX3 Left tail light cluster
- MX4 Right tail light cluster
- T4bg 4-pin connector, black
- T5ac 5-pin connector, black
- T5ad 5-pin connector, black
- T5i 5-pin connector, black
- T5k 5-pin connector, black
- X4 Left number plate light
- X5 Right number plate light

196 Earth connection 3, in rear wiring harness



- ws = white
- sw = black
- ro = red
- rt = red
- br = brown
- gn = green
- bl = blue
- gr = grey
- li = purple
- vi = purple
- ge = yellow
- or = orange
- rs = pink

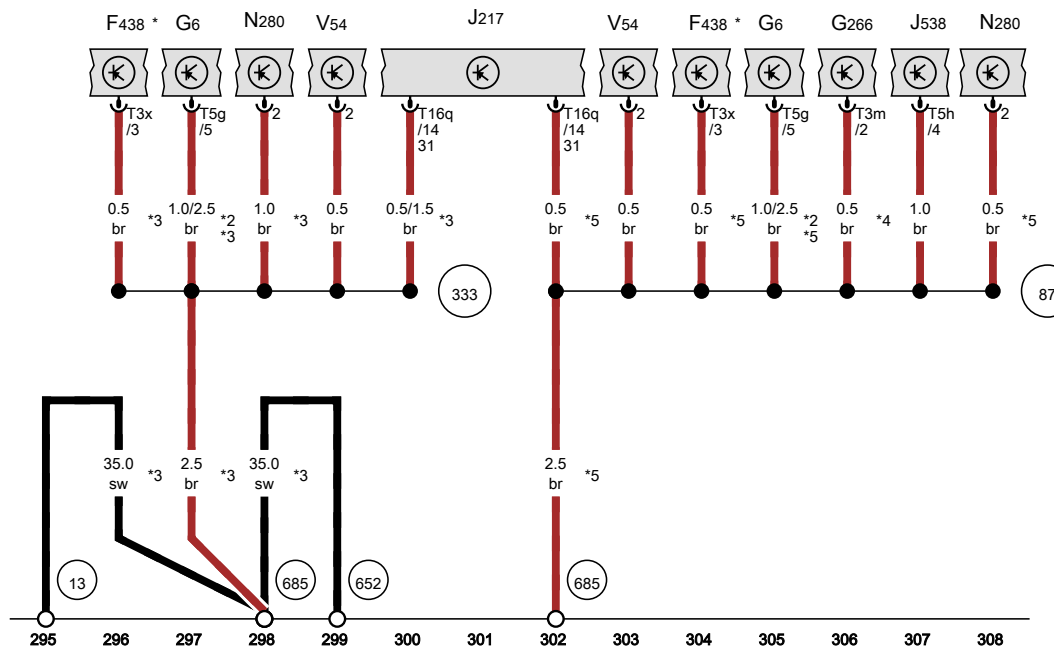
281 282 283 284 285 286 287 288 289 290 291 292 293 294

[560-051220219]

Transfer box inter-axe lock-up switch, Fuel system pressurisation pump, Oil level and oil temperature sender, Automatic gearbox control unit, Fuel pump control unit, Air conditioner compressor regulating valve, Metering pump

- F438 Transfer box inter-axe lock-up switch
- G6 Fuel system pressurisation pump
- G266 Oil level and oil temperature sender
- J217 Automatic gearbox control unit
- J538 Fuel pump control unit, on fuel tank
- N280 Air conditioner compressor regulating valve
- T3m 3-pin connector, black
- T3x 3-pin connector, black
- T5g 5-pin connector, black
- T5h 5-pin connector, black
- T16q 16-pin connector, black
- V54 Metering pump

- 13 Earth point, on right in engine compartment
- 87 Earth connection 2, in rear wiring harness
- 333 Earth connection 5, in rear wiring harness
- 652 Earth point, engine and gearbox earth
- 685 Earth point 1, on front of right longitudinal member

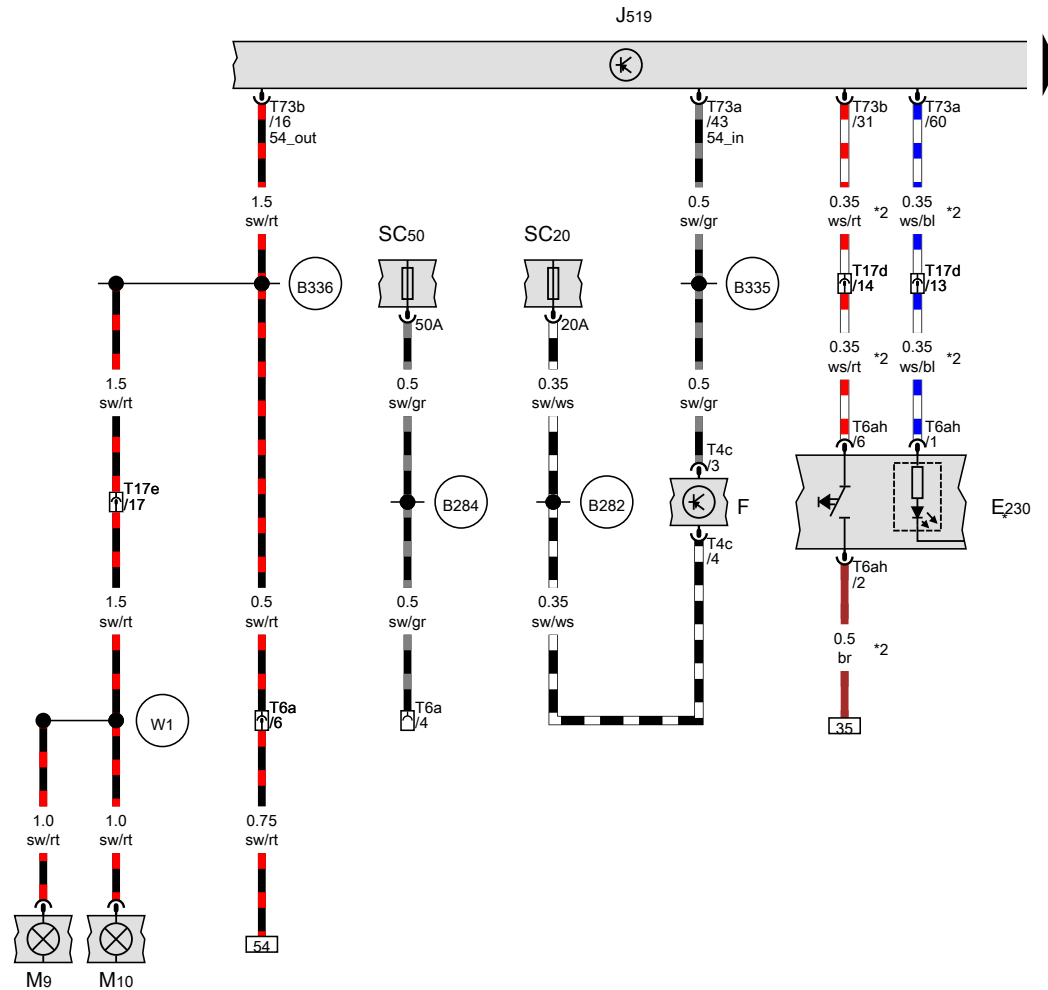


- ws = white
- sw = black
- ro = red
- rt = red
- br = brown
- gn = green
- bl = blue
- gr = grey
- li = purple
- vi = purple
- ge = yellow
- or = orange
- rs = pink

1560-0512302191

Hardtop , (5GF)
From February 2017

Heated rear window button, Brake light switch, Onboard supply control unit, Left brake light bulb, Right brake light bulb, Fuse 20 on fuse holder C, Fuse 50 on fuse holder C

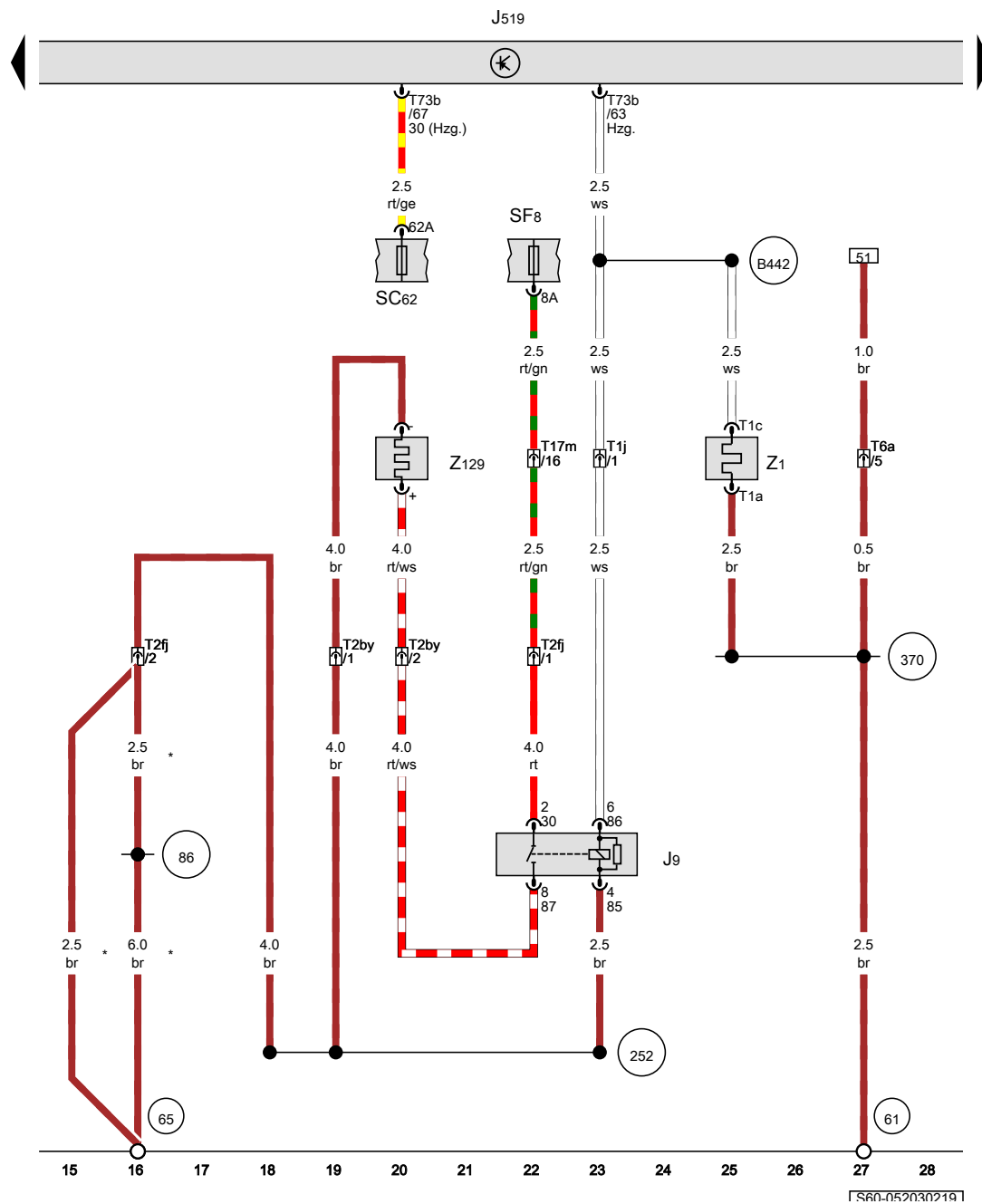


- E230 Heated rear window button
- F Brake light switch
- J519 Onboard supply control unit
- M9 Left brake light bulb
- M10 Right brake light bulb
- SC20 Fuse 20 on fuse holder C
- SC50 Fuse 50 on fuse holder C
- T4c 4-pin connector, black
- T6a 6-pin connector, black, on rear roof module
- T6ah 6-pin connector, near radio
- T17d 17-pin connector, green, on left under dash panel
- T17e 17-pin connector, red, near handbrake lever
- T73a 73-pin connector, black
- T73b 73-pin connector, colourless

- (B282) Positive connection 6 (15a) in main wiring harness
- (B284) Positive connection 8 (15a) in main wiring harness
- (B335) Connection 1 (54), in main wiring harness
- (B336) Connection 2 (54), in main wiring harness
- (W1) Positive connection 1 (54), in rear wiring harness

* see applicable current flow diagram for basic equipment
 *2 For models with no air conditioning system/Climatronic

- ws = white
- sw = black
- ro = red
- rt = red
- br = brown
- gn = green
- bl = blue
- gr = grey
- li = purple
- vi = purple
- ge = yellow
- or = orange
- rs = pink



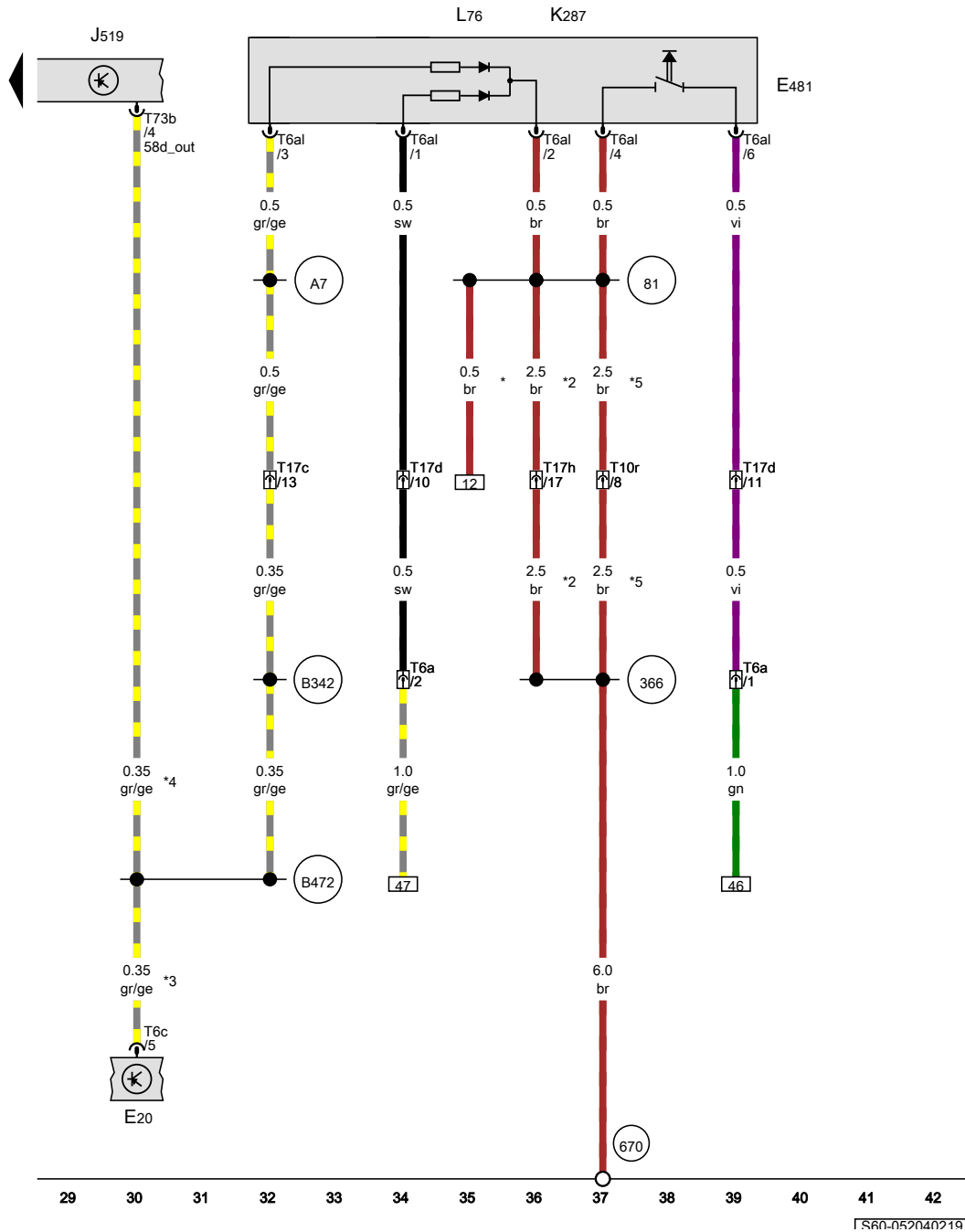
Heated rear window relay, Onboard supply control unit, Fuse 8 in fuse holder F, Fuse 62 on fuse holder C, Heated rear window, Heated rear window for hardtop

- J9 Heated rear window relay, near rear lid, behind moulded headliner
- J519 Onboard supply control unit
- SF8 Fuse 8 in fuse holder F
- SC62 Fuse 62 on fuse holder C
- T1a 1-pin connector, black
- T1c 1-pin connector, black
- T1j 1-pin connector, black, on rear roof module
- T2by 2-pin connector, black, Coupling point for rear lid
- T2fj 2-pin connector, brown, on cross panel, rear, left
- T6a 6-pin connector, black, on rear roof module
- T17m 17-pin connector, brown, near handbrake lever
- T73b 73-pin connector, colourless
- Z1 Heated rear window
- Z129 Heated rear window for hardtop, in rear lid

- 61 Earth point, left C-pillar
- 65 Earth point, on rear of left longitudinal member
- 86 Earth connection 1, in rear wiring harness
- 252 Earth connection, in optional equipment wiring harness
- 370 Earth connection 5, in main wiring harness
- B442 Connection 1 (rear window), in main wiring harness
- * According to equipment

- ws = white
- sw = black
- ro = red
- rt = red
- br = brown
- gn = green
- bl = blue
- gr = grey
- li = purple
- vi = purple
- ge = yellow
- or = orange
- rs = pink

[S60-052030219]



Switch and instrument illumination regulator, Load area illumination switch, Onboard supply control unit

- E20 Switch and instrument illumination regulator
- E481 Load area illumination switch, near radio
- J519 Onboard supply control unit
- K287 Function monitor warning lamp
- L76 Button illumination bulb
- T6a 6-pin connector, black, on rear roof module
- T6al 6-pin connector, blue
- T6c 6-pin connector, black
- T10r 10-pin connector, blue, behind dash panel, right
- T17c 17-pin connector, white, on left under dash panel
- T17d 17-pin connector, green, on left under dash panel
- T17h 17-pin connector, blue, on left under dash panel
- T73b 73-pin connector, colourless

- 81 Earth connection 1, in dash panel wiring harness
- 366 Earth connection 1, in main wiring harness
- 670 Earth point 2, left A-pillar
- A7 Positive connection (58 D1), in dash panel wiring harness
- B342 Connection 3 (58d), in main wiring harness
- B472 Connection 8, in main wiring harness
- * For models with no air conditioning system/Climatronic
- *2 For left-hand drive models
- *3 For models with dimmable instrument illumination
- *4 For models with no dimmable instrument illumination
- *5 For right-hand drive models

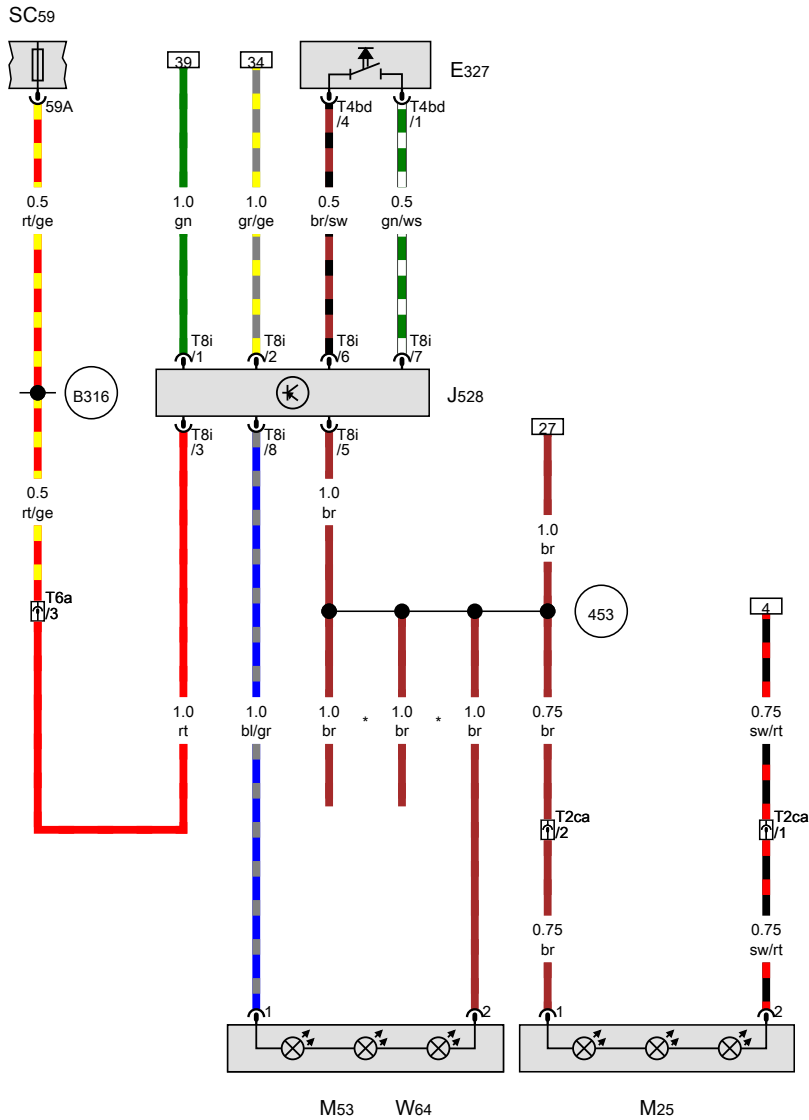
- ws = white
- sw = black
- ro = red
- rt = red
- br = brown
- gn = green
- bl = blue
- gr = grey
- li = purple
- vi = purple
- ge = yellow
- or = orange
- rs = pink

TS60-052040219

Rear interior light button, Roof electronics control unit, High-level brake light bulb, Load area illumination bulb, Fuse 59 on fuse holder C

- E327 Rear interior light button, in left D-pillar
- J528 Roof electronics control unit, near rear lid, behind moulded headliner
- M25 High-level brake light bulb
- M53 Load area illumination bulb
- SC59 Fuse 59 on fuse holder C
- T2ca 2-pin connector, black, Coupling point for rear lid
- T4bd 4-pin connector, black
- T6a 6-pin connector, black, on rear roof module
- T8i 8-pin connector, black
- W64 Interior light

- 453 Earth connection 3, in optional equipment wiring harness
- B316 Positive connection 2 (30a) in main wiring harness
- * Wiring open end



- ws = white
- sw = black
- ro = red
- rt = red
- br = brown
- gn = green
- bl = blue
- gr = grey
- li = purple
- vi = purple
- ge = yellow
- or = orange
- rs = pink

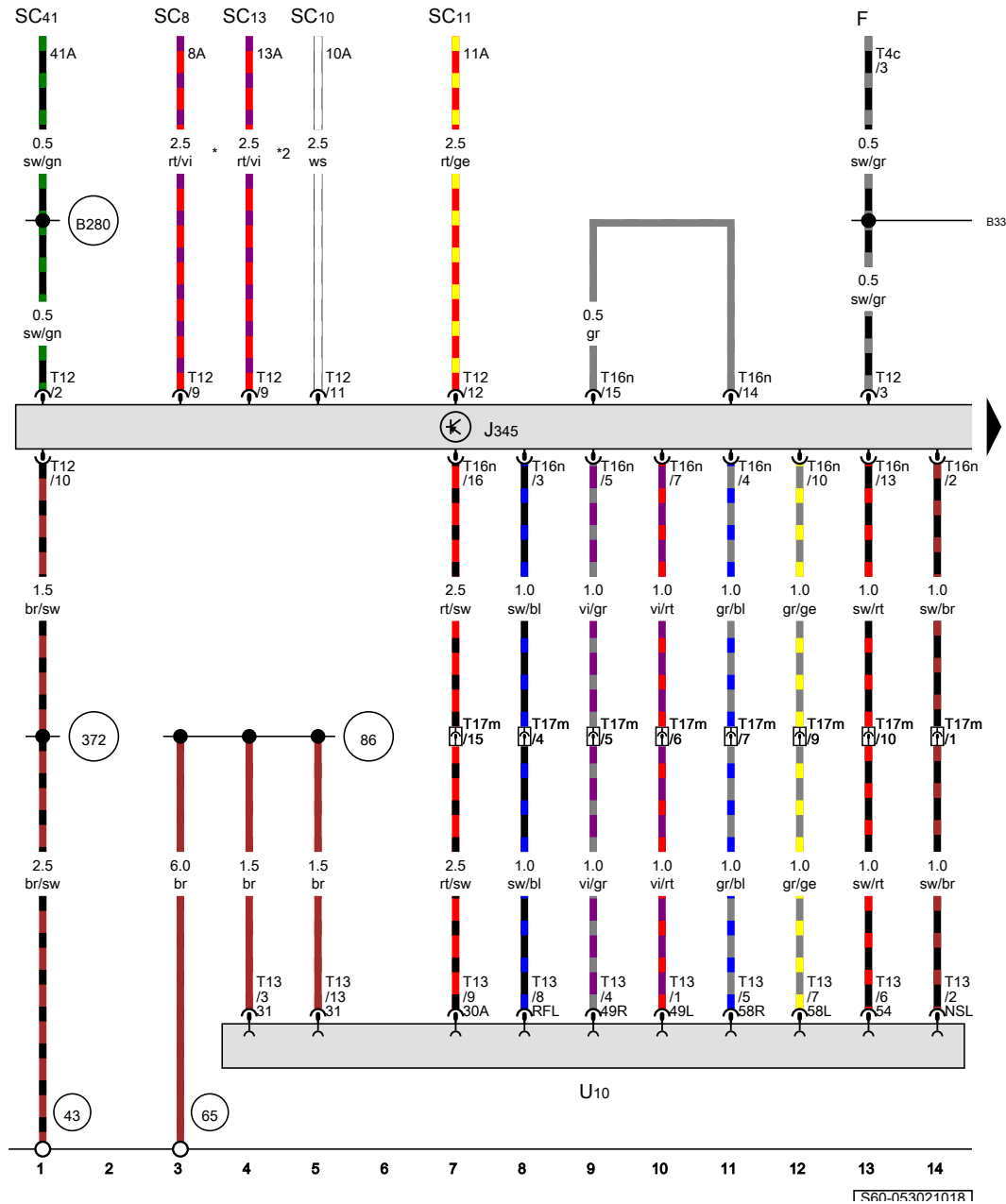
43 44 45 46 47 48 49 50 51 52 53 54 55 56

[S60-052050219]

Trailer coupling , (1D1)

From July 2017

Brake light switch, Trailer detector control unit, Fuse 8 on fuse holder C, Fuse 10 on fuse holder C, Fuse 11 on fuse holder C, Fuse 13 on fuse holder C, Fuse 41 on fuse holder C, Trailer socket



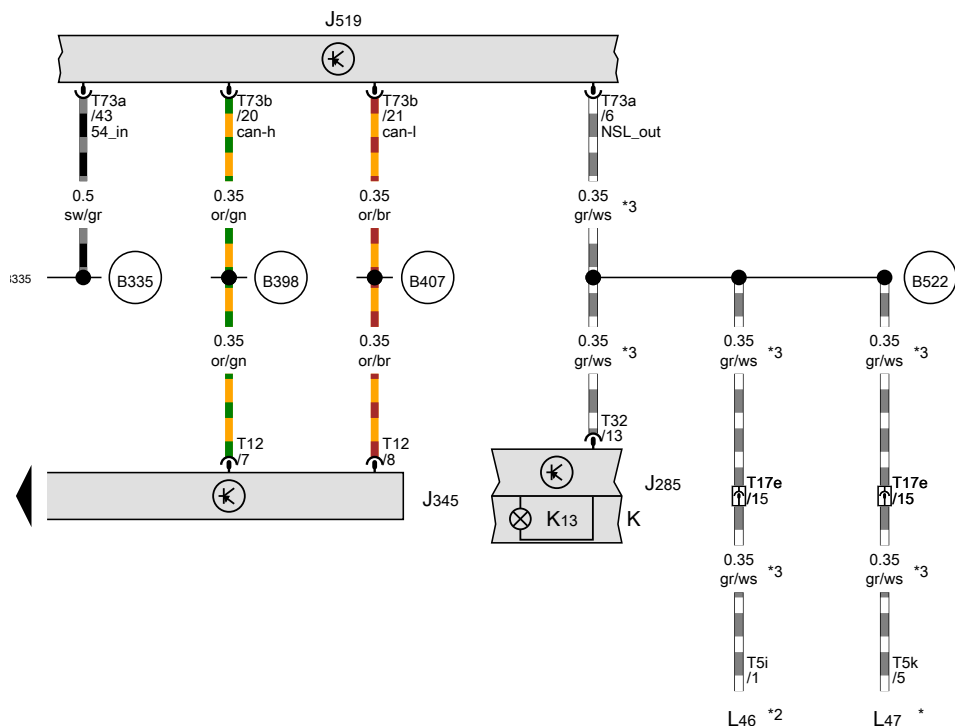
- F Brake light switch
- J345 Trailer detector control unit
- SC8 Fuse 8 on fuse holder C
- SC10 Fuse 10 on fuse holder C
- SC11 Fuse 11 on fuse holder C
- SC13 Fuse 13 on fuse holder C
- SC41 Fuse 41 on fuse holder C
- T4c 4-pin connector, black
- T12 12-pin connector, red
- T13 13-pin connector, black, on rear skirt
- T16n 16-pin connector, black
- T17m 17-pin connector, brown, near handbrake lever
- U10 Trailer socket

- 43 Earth point, lower part of right A-pillar
- 65 Earth point, on rear of left longitudinal member
- 86 Earth connection 1, in rear wiring harness
- 372 Earth connection 7, in main wiring harness
- B280 Positive connection 4 (15a) in main wiring harness
- B335 Connection 1 (54), in main wiring harness

* Up to January 2018
 *2 From January 2018

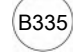



- ws = white
- sw = black
- ro = red
- rt = red
- br = brown
- gn = green
- bl = blue
- gr = grey
- li = purple
- vi = purple
- ge = yellow
- or = orange
- rs = pink

1360-0530210181



Trailer detector control unit, Onboard supply control unit, Rear fog light warning lamp, Rear left fog light bulb

- J285 Control unit in dash panel insert
- J345 Trailer detector control unit
- J519 Onboard supply control unit
- K Dash panel insert
- K13 Rear fog light warning lamp
- L46 Rear left fog light bulb
- L47 Rear right fog light bulb
- T5i 5-pin connector, black
- T5k 5-pin connector, black
- T12 12-pin connector, red
- T17e 17-pin connector, red, near handbrake lever
- T32 32-pin connector, blue
- T73a 73-pin connector, black
- T73b 73-pin connector, white

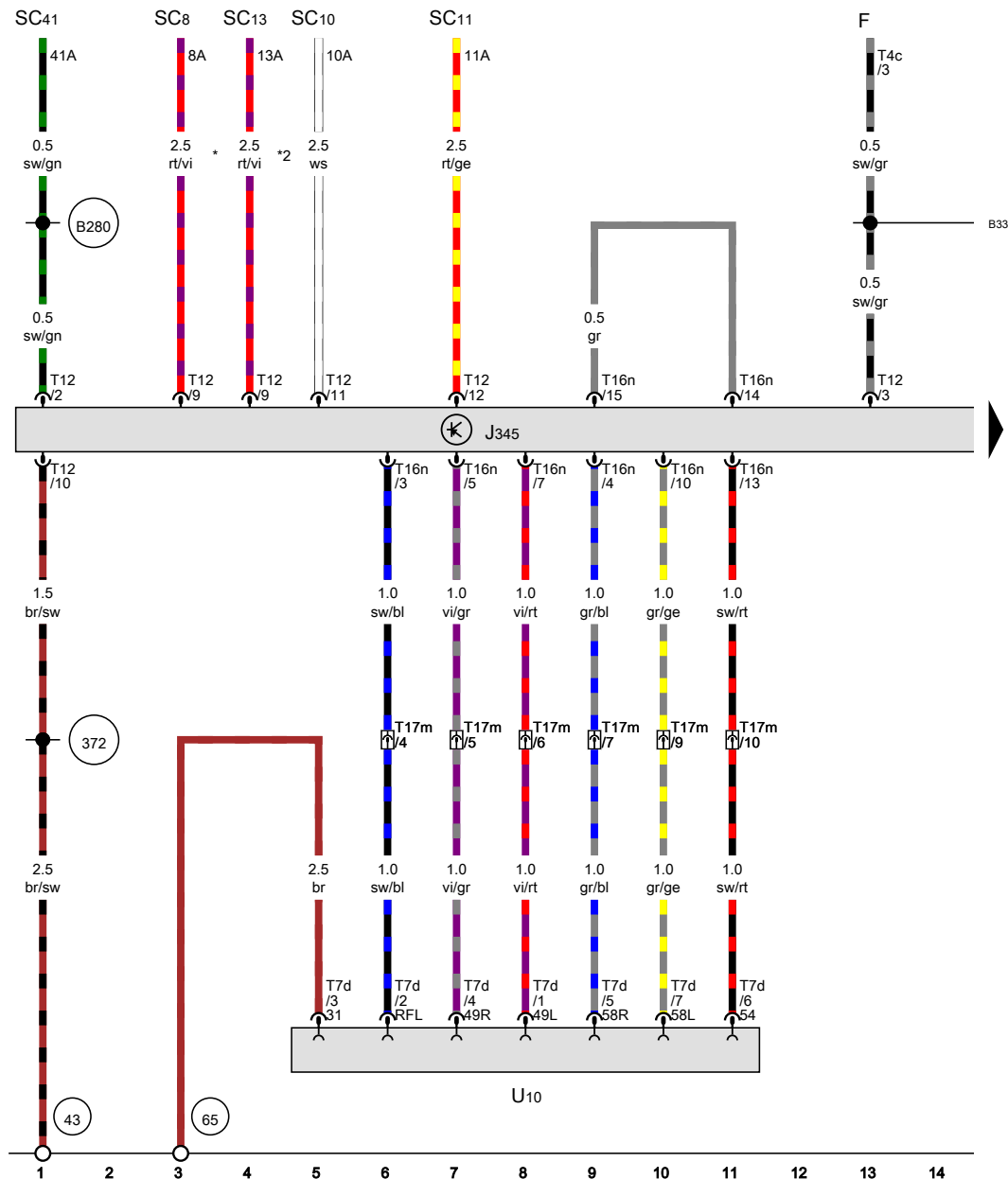
-  B335 Connection 1 (54), in main wiring harness
-  B398 Connection 2 (convenience CAN bus, high), in main wiring harness
-  B407 Connection 2 (convenience CAN bus, low), in main wiring harness
-  B522 Connection (FL), in main wiring harness

- * For right-hand drive models
- *2 For left-hand drive models
- *3 For models with rear fog light

- ws = white
- sw = black
- ro = red
- rt = red
- br = brown
- gn = green
- bl = blue
- gr = grey
- li = purple
- vi = purple
- ge = yellow
- or = orange
- rs = pink

Trailer coupling , (1M0)

From July 2017



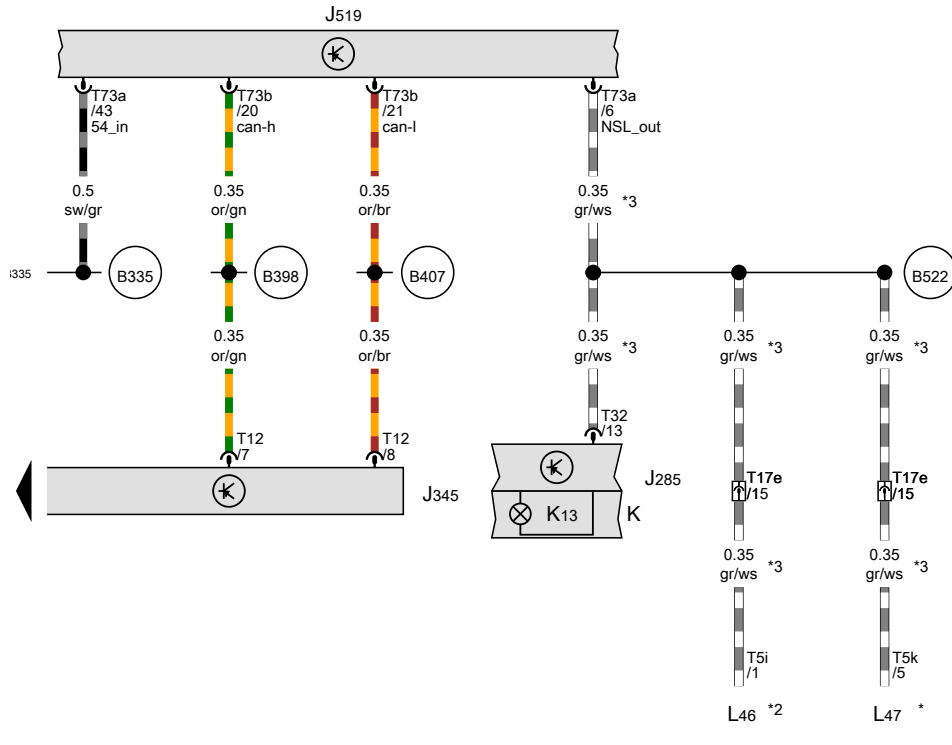
ws = white
 sw = black
 ro = red
 rt = red
 br = brown
 gn = green
 bl = blue
 gr = grey
 li = purple
 vi = purple
 ge = yellow
 or = orange
 rs = pink

Brake light switch, Trailer detector control unit, Fuse 8 on fuse holder C, Fuse 10 on fuse holder C, Fuse 11 on fuse holder C, Fuse 13 on fuse holder C, Fuse 41 on fuse holder C, Trailer socket

- F Brake light switch
- J345 Trailer detector control unit
- SC8 Fuse 8 on fuse holder C
- SC10 Fuse 10 on fuse holder C
- SC11 Fuse 11 on fuse holder C
- SC13 Fuse 13 on fuse holder C
- SC41 Fuse 41 on fuse holder C
- T4c 4-pin connector, black
- T7d 7-pin connector, black, on rear skirt
- T12 12-pin connector, red
- T16n 16-pin connector, black
- T17m 17-pin connector, brown, near handbrake lever
- U10 Trailer socket

- 43 Earth point, lower part of right A-pillar
- 65 Earth point, on rear of left longitudinal member
- 372 Earth connection 7, in main wiring harness
- B280 Positive connection 4 (15a) in main wiring harness
- B335 Connection 1 (54), in main wiring harness
- * Up to January 2018
- *2 From January 2018

[S60-054021018]



Trailer detector control unit, Onboard supply control unit, Rear fog light warning lamp, Rear left fog light bulb

- J285 Control unit in dash panel insert
- J345 Trailer detector control unit
- J519 Onboard supply control unit
- K Dash panel insert
- K13 Rear fog light warning lamp
- L46 Rear left fog light bulb
- L47 Rear right fog light bulb
- T5i 5-pin connector, black
- T5k 5-pin connector, black
- T12 12-pin connector, red
- T17e 17-pin connector, red, near handbrake lever
- T32 32-pin connector, blue
- T73a 73-pin connector, black
- T73b 73-pin connector, white

- B335** Connection 1 (54), in main wiring harness
- B398** Connection 2 (convenience CAN bus, high), in main wiring harness
- B407** Connection 2 (convenience CAN bus, low), in main wiring harness
- B522** Connection (FL), in main wiring harness

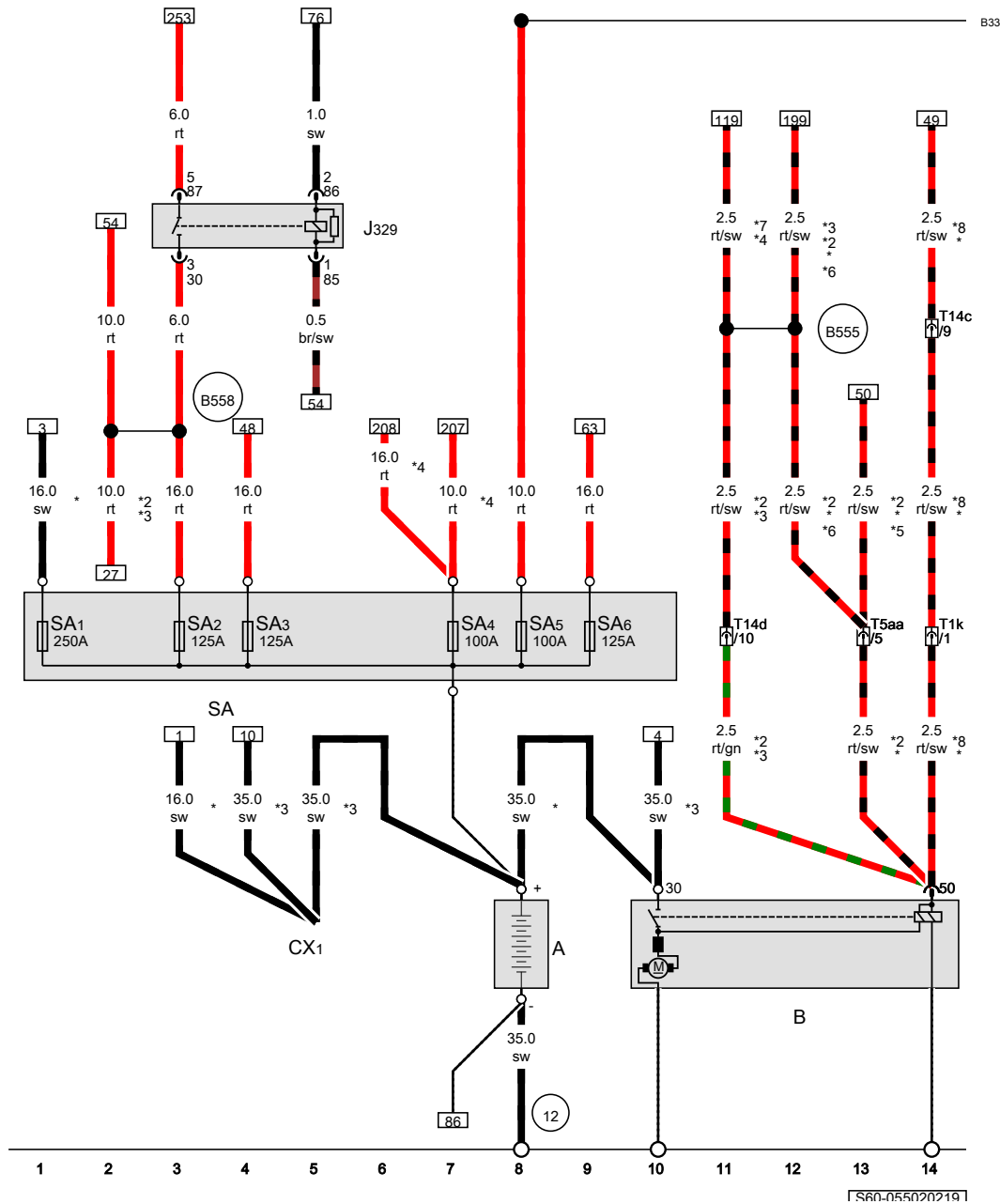
- * For right-hand drive models
- *2 For left-hand drive models
- *3 For models with rear fog light

- ws = white
- sw = black
- ro = red
- rt = red
- br = brown
- gn = green
- bl = blue
- gr = grey
- li = purple
- vi = purple
- ge = yellow
- or = orange
- rs = pink

Fuse assignment

From July 2017

Battery, Starter, Terminal 15 voltage supply relay, Fuse holder A



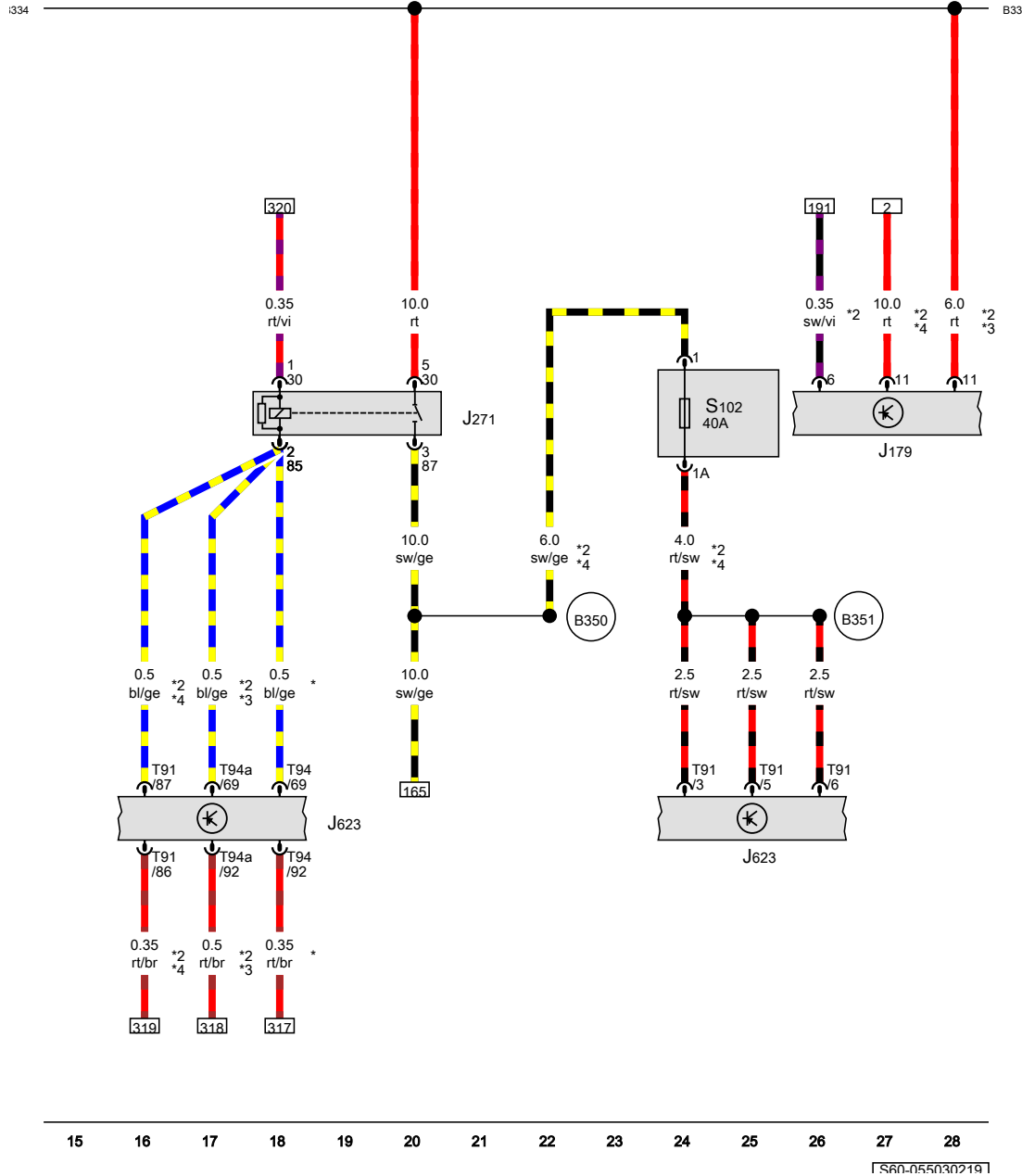
- A Battery
- B Starter
- CX1 Alternator with voltage regulator
- J329 Terminal 15 voltage supply relay
- SA Fuse holder A
- SA1 Fuse 1 on fuse holder A
- SA2 Fuse 2 on fuse holder A
- SA3 Fuse 3 on fuse holder A
- SA4 Fuse 4 on fuse holder A
- SA5 Fuse 5 on fuse holder A
- SA6 Fuse 6 on fuse holder A
- T1k 1-pin connector, black, near starter
- T5aa 5-pin connector, black, near battery
- T14c 14-pin connector, grey, near battery
- T14d 14-pin connector, black, near battery

- 12 Earth point, on left in engine compartment
- B334 Positive connection 20 (30a) in main wiring harness
- B555 Positive connection 2 (50), in main wiring harness
- B558 Positive connection 22 (30a) in main wiring harness
- * For models with 2.0l engine
- *2 For models with diesel engine
- *3 For models with 3.0l engine
- *4 see applicable current flow diagram for engine
- *5 For models with no start/stop system
- *6 For models with start/stop system
- *7 According to equipment
- *8 For models with petrol engine

- ws = white
- sw = black
- ro = red
- rt = red
- br = brown
- gn = green
- bl = blue
- gr = grey
- li = purple
- vi = purple
- ge = yellow
- or = orange
- rs = pink

1S60-0550202191

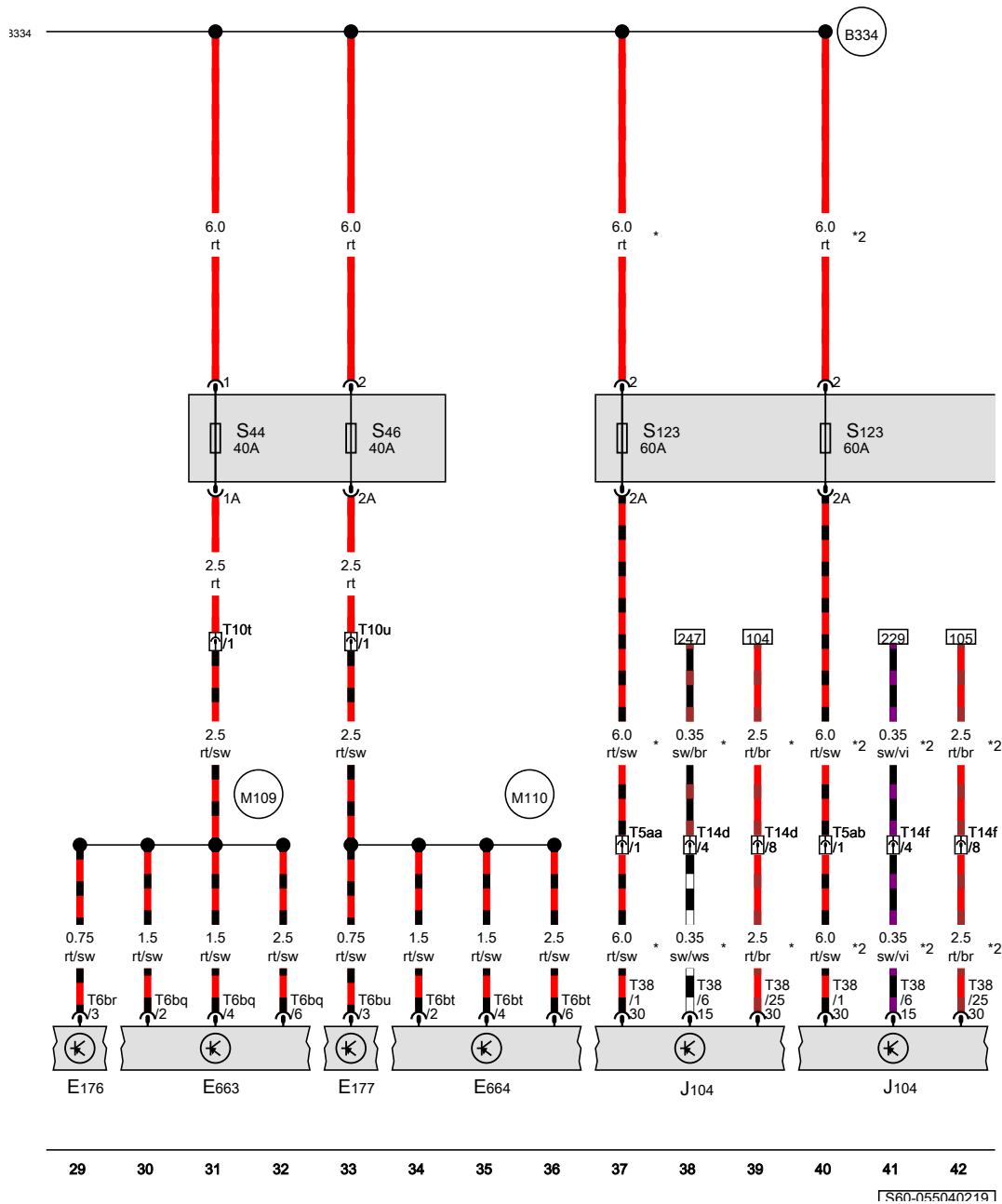
Main relay, Engine/motor control unit fuse



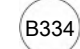
- J179 Automatic glow period control unit
- J271 Main relay
- J623 Engine/motor control unit
- S102 Engine/motor control unit fuse
- T91 91-pin connector, black
- T94 94-pin connector, black
- T94a 94-pin connector, black
- B334 Positive connection 20 (30a) in main wiring harness
- B350 Positive connection 1 (87a) in main wiring harness
- B351 Positive connection 2 (87a) in main wiring harness
- * For models with petrol engine
- *2 For models with diesel engine
- *3 For models with 2.0l engine
- *4 For models with 3.0l engine

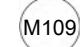
- ws = white
- sw = black
- ro = red
- rt = red
- br = brown
- gn = green
- bl = blue
- gr = grey
- li = purple
- vi = purple
- ge = yellow
- or = orange
- rs = pink


Driver seat adjustment thermal fuse 1, Front passenger seat adjustment thermal fuse 1, ABS control unit fuse 1



- E176 Driver seat lumbar support adjustment switch
- E177 Front passenger seat lumbar support adjustment switch
- E663 Switch module for driver seat
- E664 Switch module for front passenger seat
- J104 ABS control unit
- S44 Driver seat adjustment thermal fuse 1
- S46 Front passenger seat adjustment thermal fuse 1
- S123 ABS control unit fuse 1
- T5aa 5-pin connector, black, near battery
- T5ab 5-pin connector, black, near right headlight
- T6bq 6-pin connector, black
- T6br 6-pin connector, black
- T6bt 6-pin connector, black
- T6bu 6-pin connector, black
- T10t 10-pin connector, black, under driver seat
- T10u 10-pin connector, black, under front passenger seat
- T14d 14-pin connector, black, near battery
- T14f 14-pin connector, black, near right headlight
- T38 38-pin connector, black

 Positive connection 20 (30a) in main wiring harness

 Connection 1 (30), in front left seat wiring harness

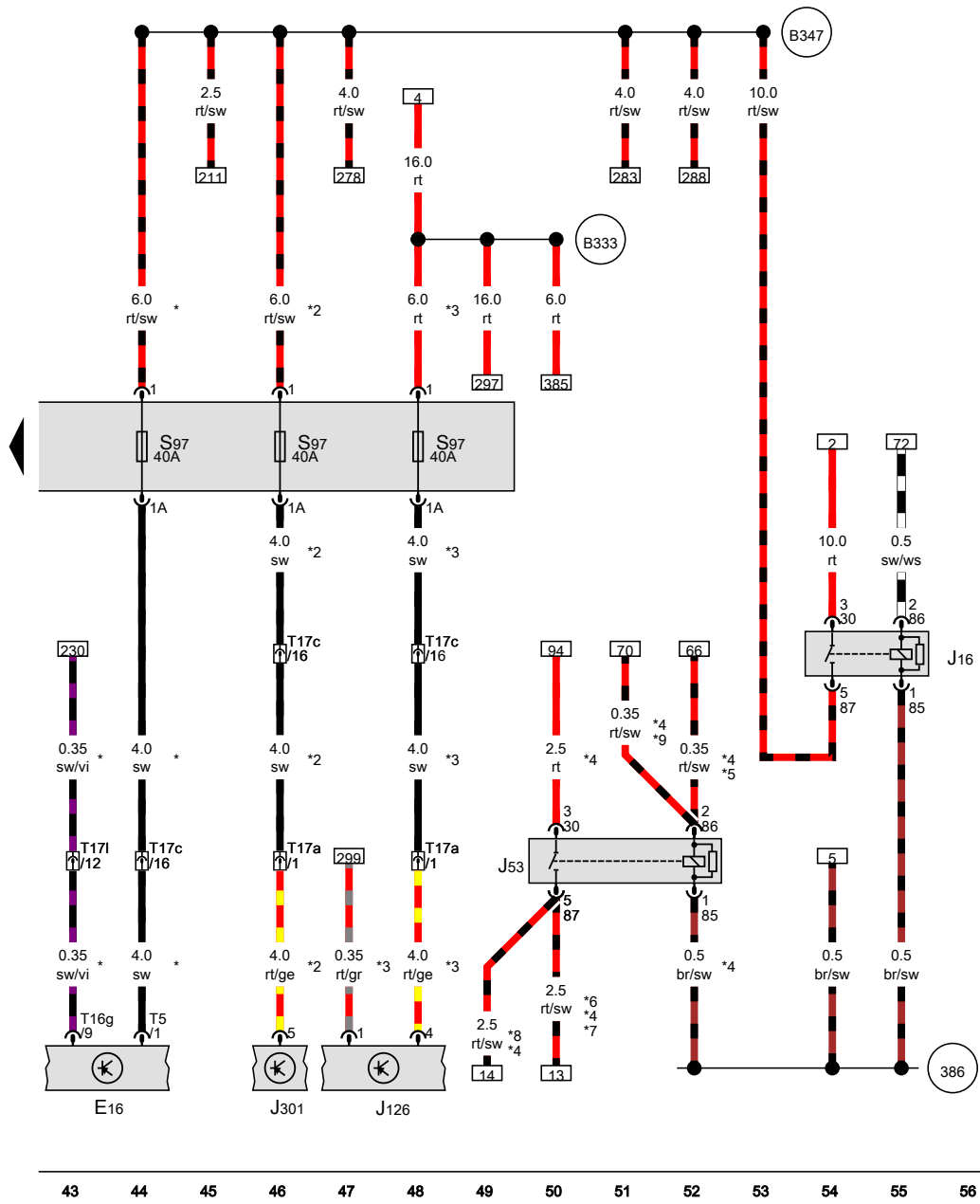
 Connection 1 (30), in front right seat wiring harness

* For models with 2.0l engine
 *2 For models with 3.0l engine

- ws = white
- sw = black
- ro = red
- rt = red
- br = brown
- gn = green
- bl = blue
- gr = grey
- li = purple
- vi = purple
- ge = yellow
- or = orange
- rs = pink

TS60-055040219

Current supply relay, Starter motor relay, Fresh air blower fuse 1



- E16 Heater/heat output switch
- J16 Current supply relay
- J53 Starter motor relay
- J126 Fresh air blower control unit
- J301 Air conditioning system control unit
- S97 Fresh air blower fuse 1, black, next to steering column
- T5 5-pin connector, black
- T16g 16-pin connector, black
- T17a 17-pin connector, black
- T17c 17-pin connector, white, behind dash panel
- T17l 17-pin connector, brown, behind dash panel

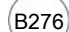
- 386 Earth connection 21, in main wiring harness
- B333 Positive connection 19 (30a) in main wiring harness
- B347 Connection 2 (75), in main wiring harness

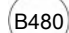
- * For models with no air conditioning system
- *2 For models with Climatic
- *3 For models with Climatronic
- *4 For models with 2.0l engine
- *5 For models with manual gearbox
- *6 For models with diesel engine
- *7 For models with no start/stop system
- *8 For models with petrol engine
- *9 For models with automatic gearbox

- ws = white
- sw = black
- ro = red
- rt = red
- br = brown
- gn = green
- bl = blue
- gr = grey
- li = purple
- vi = purple
- ge = yellow
- or = orange
- rs = pink

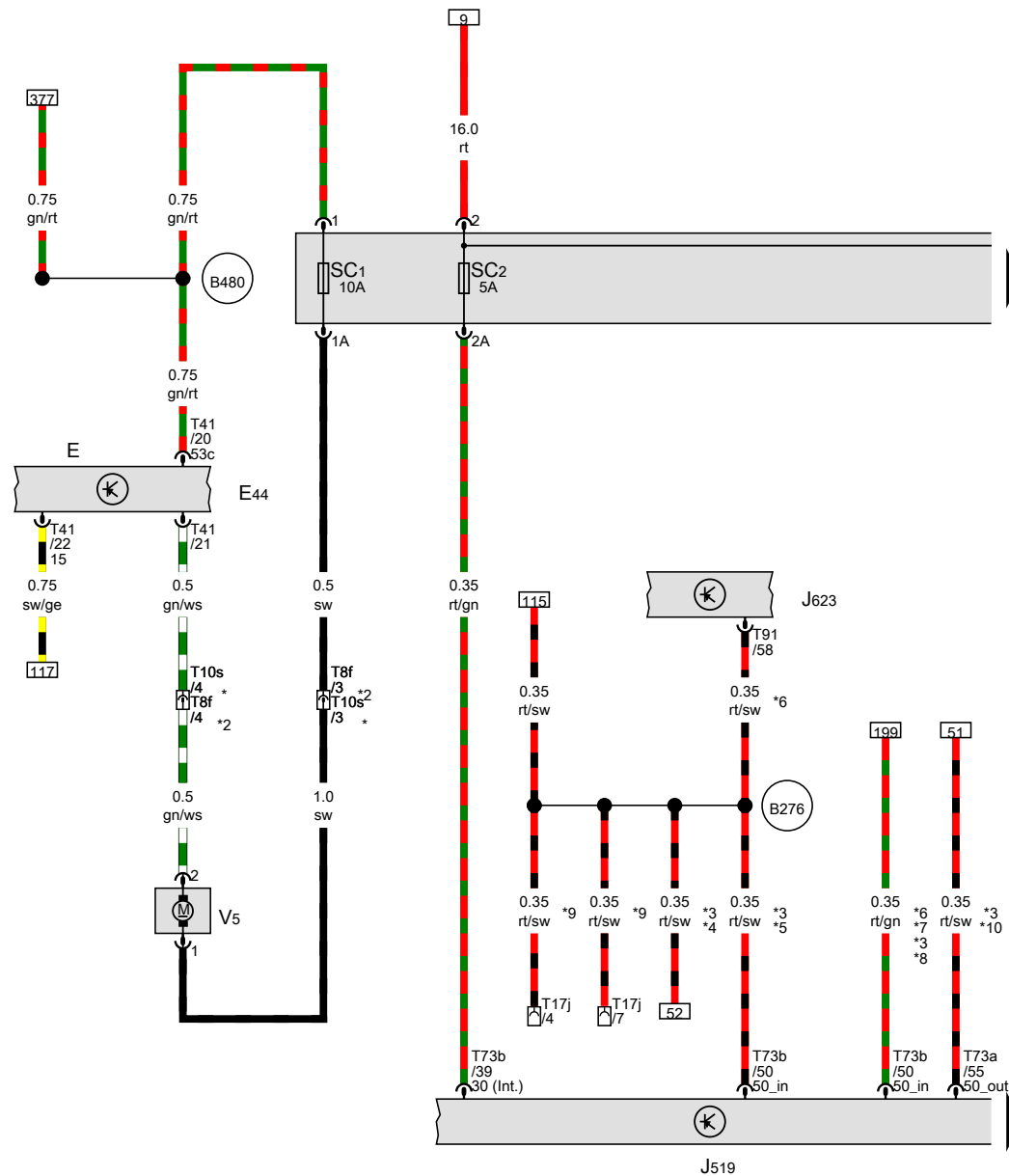
Fuse 1 on fuse holder C, Fuse 2 on fuse holder C

- E Windscreen wiper switch
- E44 Washer pump switch (automatic wash/wipe and headlight washer system)
- J519 Onboard supply control unit
- J623 Engine/motor control unit
- SC1 Fuse 1 on fuse holder C
- SC2 Fuse 2 on fuse holder C
- T8f 8-pin connector, black
- T10s 10-pin connector, black
- T17j 17-pin connector, green, near driver side A-pillar
- T41 41-pin connector, grey
- T73a 73-pin connector, black
- T73b 73-pin connector, colourless
- T91 91-pin connector, black
- V5 Washer pump

 B276 Positive connection (50), in main wiring harness

 B480 Connection 16, in main wiring harness

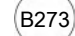
- * For models with provision for side member lighting
- *2 For models with no provision for side member lighting
- *3 For models with 2.0l engine
- *4 For models with manual gearbox
- *5 For models with no start/stop system
- *6 For models with 3.0l engine
- *7 For models with diesel engine
- *8 For models with start/stop system
- *9 For models with electric interface for external use
- *10 For models with automatic gearbox

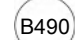


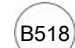
- ws = white
- sw = black
- ro = red
- rt = red
- br = brown
- gn = green
- bl = blue
- gr = grey
- li = purple
- vi = purple
- ge = yellow
- or = orange
- rs = pink

Ignition/starter switch, Fuse 3 on fuse holder C, Fuse 4 on fuse holder C, Fuse 5 on fuse holder C

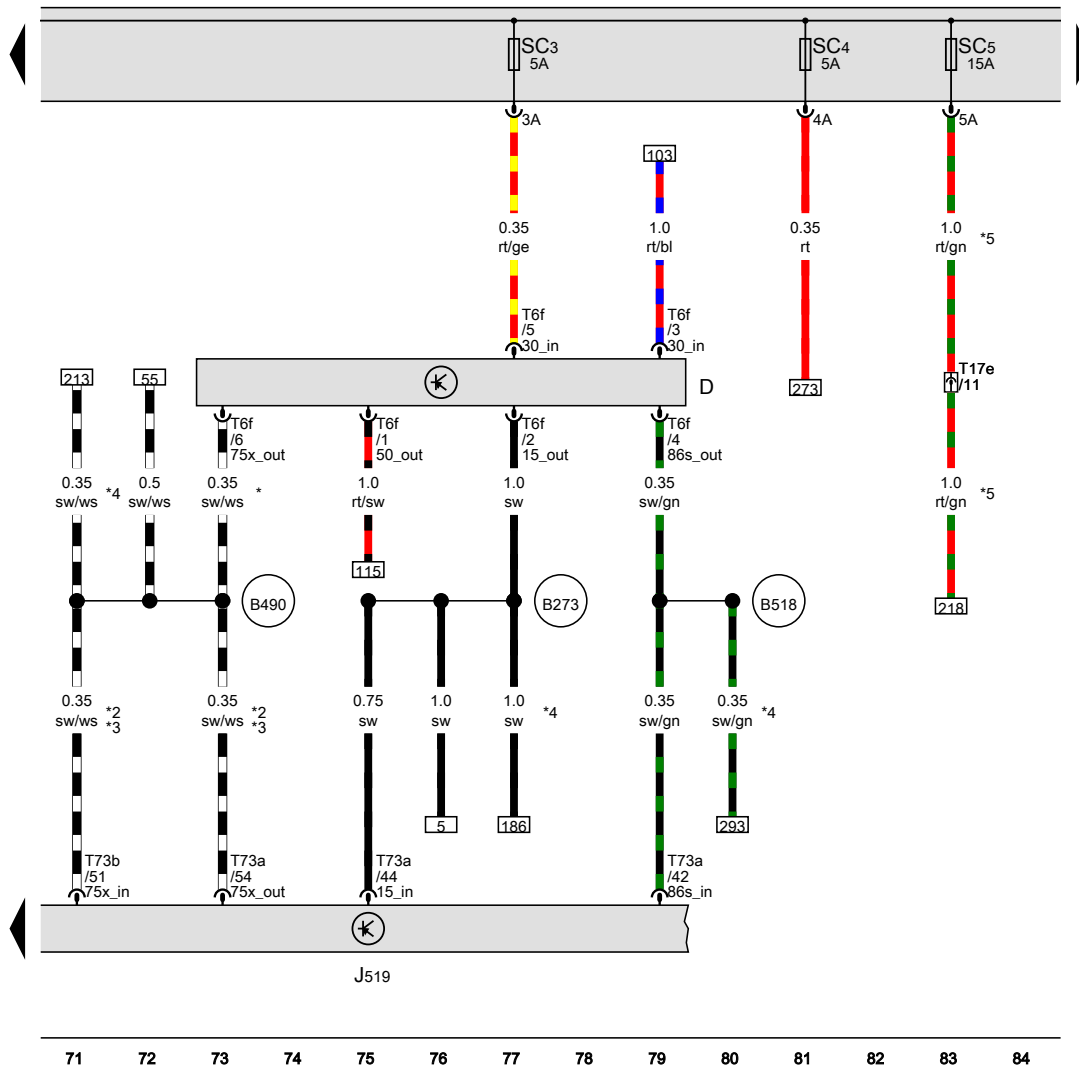
- D Ignition/starter switch
- J519 Onboard supply control unit
- SC3 Fuse 3 on fuse holder C
- SC4 Fuse 4 on fuse holder C
- SC5 Fuse 5 on fuse holder C
- T6f 6-pin connector, black
- T17e 17-pin connector, red, near handbrake lever
- T73a 73-pin connector, black
- T73b 73-pin connector, colourless

 B273 Positive connection (15), in main wiring harness

 B490 Connection 26, in main wiring harness

 B518 Connection (86s), in main wiring harness

- * For models with no start/stop system
- *2 According to equipment
- *3 see applicable current flow diagram for engine
- *4 For models with electric interface for external use
- *5 For models with automatic gearbox



- ws = white
- sw = black
- ro = red
- rt = red
- br = brown
- gn = green
- bl = blue
- gr = grey
- li = purple
- vi = purple
- ge = yellow
- or = orange
- rs = pink

[S60-055070219]

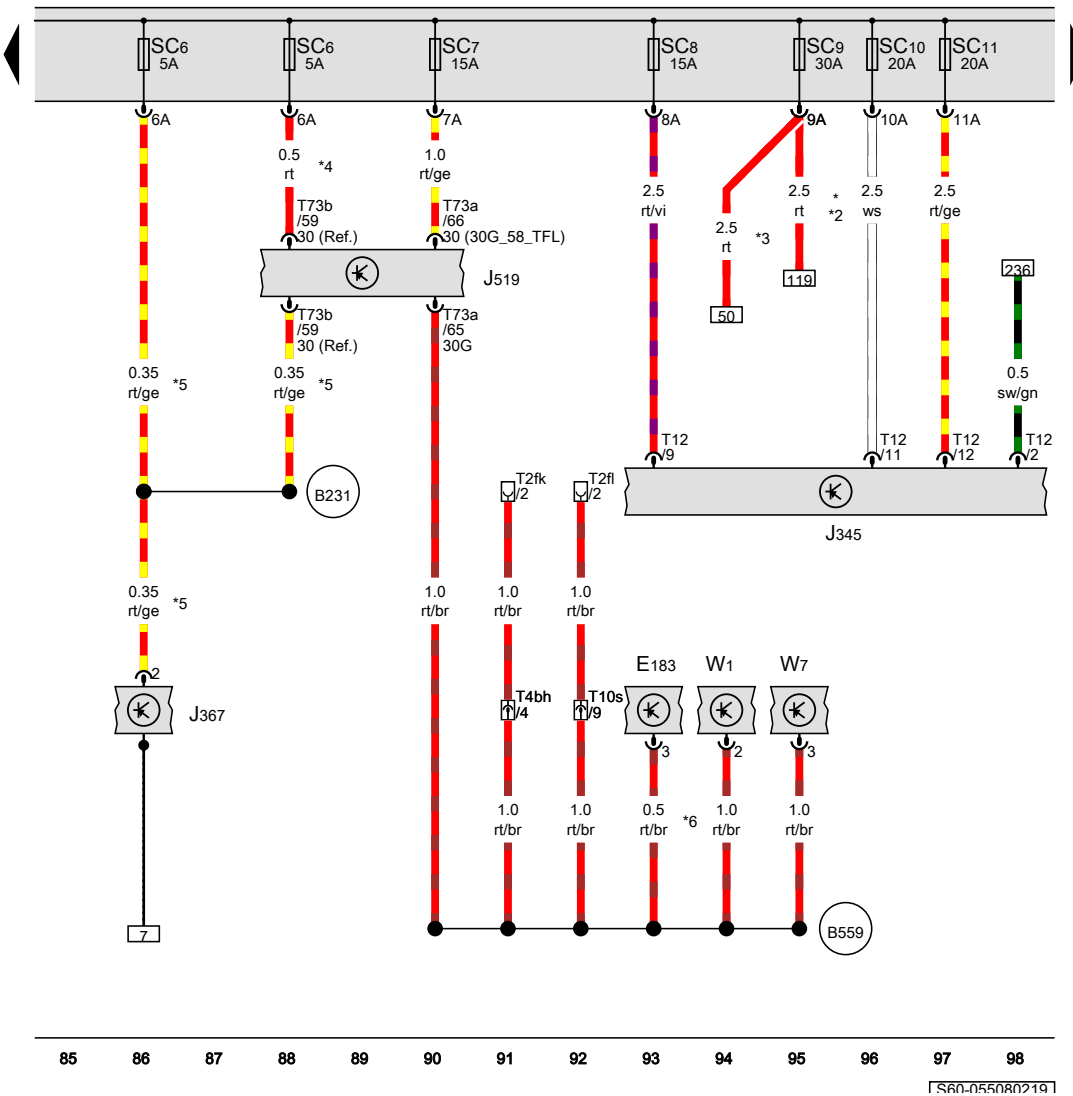
Fuse 6 on fuse holder C, Fuse 7 on fuse holder C, Fuse 8 on fuse holder C, Fuse 9 on fuse holder C, Fuse 10 on fuse holder C, Fuse 11 on fuse holder C

- E183 Interior monitoring switch
- J345 Trailer detector control unit
- J367 Battery monitor control unit
- J519 Onboard supply control unit
- SC6 Fuse 6 on fuse holder C
- SC7 Fuse 7 on fuse holder C
- SC8 Fuse 8 on fuse holder C
- SC9 Fuse 9 on fuse holder C
- SC10 Fuse 10 on fuse holder C
- SC11 Fuse 11 on fuse holder C
- T2fk 2-pin connector, black, bottom, left, near entry light
- T2fl 2-pin connector, black, bottom, right, near entry light
- T4bh 4-pin connector, black, in rear left of engine compartment
- T10s 10-pin connector, black, in rear right of engine compartment
- T12 12-pin connector, red
- T73a 73-pin connector, black
- T73b 73-pin connector, colourless
- W1 Front interior light
- W7 Centre interior light

B231 Positive connection 5 (30a), in interior wiring harness

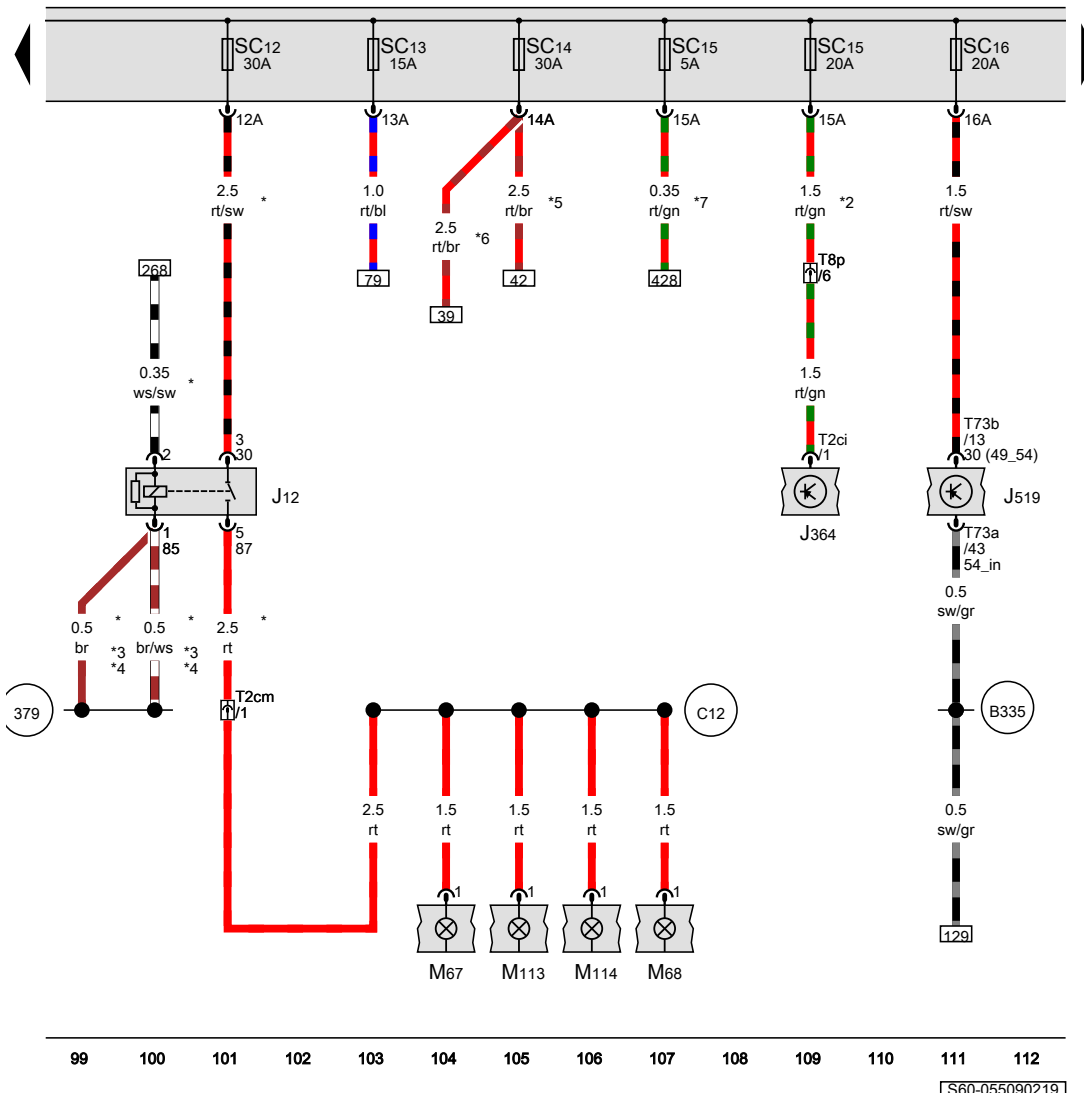
B559 Positive connection 1 (30g), in main wiring harness

- * According to equipment
- *2 see applicable current flow diagram for engine
- *3 For models with 2.0l engine
- *4 For models with no start/stop system
- *5 For models with start/stop system
- *6 For models with anti-theft alarm system



- ws = white
- sw = black
- ro = red
- rt = red
- br = brown
- gn = green
- bl = blue
- gr = grey
- li = purple
- vi = purple
- ge = yellow
- or = orange
- rs = pink

Fuse 12 on fuse holder C, Fuse 13 on fuse holder C, Fuse 14 on fuse holder C, Fuse 15 on fuse holder C, Fuse 16 on fuse holder C



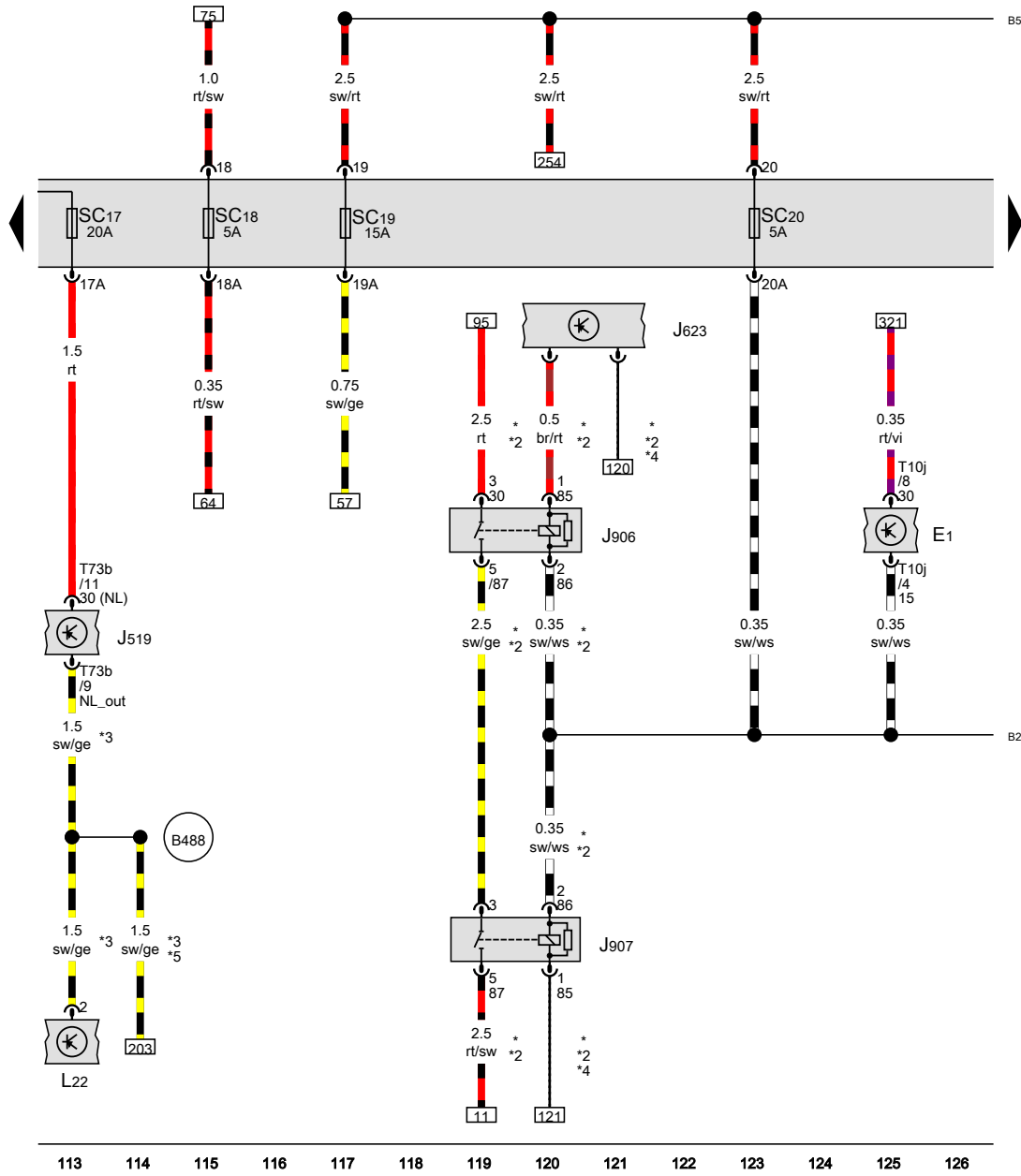
- J12 Headlight main beam relay
- J364 Auxiliary heater control unit
- J519 Onboard supply control unit
- M67 Left additional main beam bulb
- M68 Right additional main beam bulb
- M113 Centre left additional main beam bulb
- M114 Centre right additional main beam bulb
- SC12 Fuse 12 on fuse holder C
- SC13 Fuse 13 on fuse holder C
- SC14 Fuse 14 on fuse holder C
- SC15 Fuse 15 on fuse holder C
- SC16 Fuse 16 on fuse holder C
- T2ci 2-pin connector, black
- T2cm 2-pin connector, black
- T8p 8-pin connector, black, near battery
- T73a 73-pin connector, black
- T73b 73-pin connector, colourless

- (379) Earth connection 14, in main wiring harness
- (B335) Connection 1 (54), in main wiring harness
- (C12) Positive connection 1, in headlight wiring harness

- * For models with auxiliary lights
- *2 For models with auxiliary coolant heater (supplementary heater)
- *3 Wiring colour depends on equipment
- *4 see applicable current flow diagram for earthing concept
- *5 For models with 3.0l engine
- *6 For models with 2.0l engine
- *7 For models with petrol engine

- ws = white
- sw = black
- ro = red
- rt = red
- br = brown
- gn = green
- bl = blue
- gr = grey
- li = purple
- vi = purple
- ge = yellow
- or = orange
- rs = pink

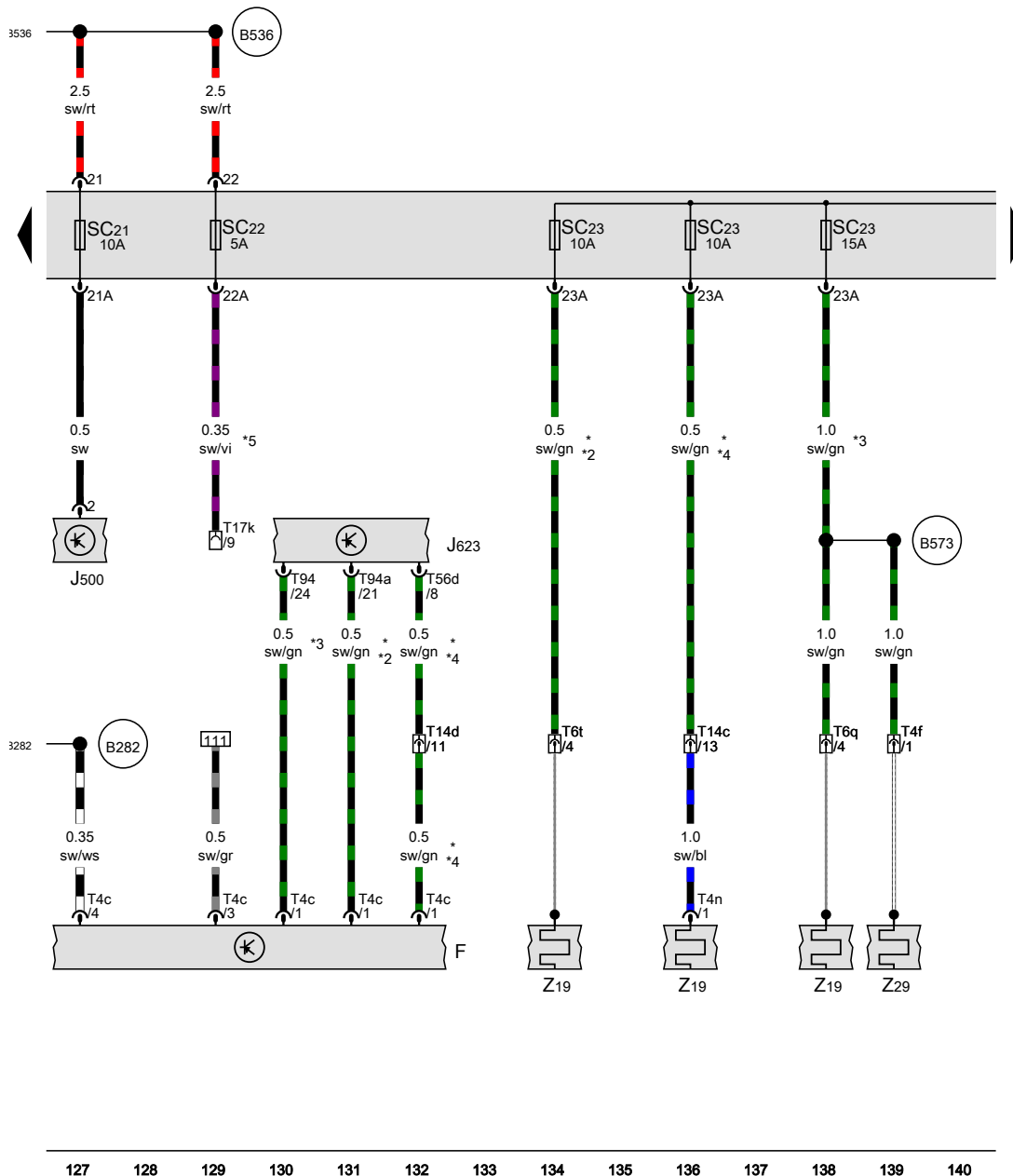
Starter relay 1, Starter relay 2, Fuse 17 on fuse holder C, Fuse 18 on fuse holder C, Fuse 19 on fuse holder C, Fuse 20 on fuse holder C



- E1 Light switch
- J519 Onboard supply control unit
- J623 Engine/motor control unit
- J906 Starter relay 1
- J907 Starter relay 2
- L22 Left fog light bulb
- SC17 Fuse 17 on fuse holder C
- SC18 Fuse 18 on fuse holder C
- SC19 Fuse 19 on fuse holder C
- SC20 Fuse 20 on fuse holder C
- T10j 10-pin connector, black
- T73b 73-pin connector, colourless
- (B282) Positive connection 6 (15a) in main wiring harness
- (B488) Connection 24, in main wiring harness
- (B536) Connection 27, in main wiring harness
- * According to equipment
- *2 see applicable current flow diagram for engine
- *3 For models with fog lights
- *4 Wiring colour depends on equipment
- *5 For models with electric interface for external use

- ws = white
- sw = black
- ro = red
- rt = red
- br = brown
- gn = green
- bl = blue
- gr = grey
- li = purple
- vi = purple
- ge = yellow
- or = orange
- rs = pink

Fuse 21 on fuse holder C, Fuse 22 on fuse holder C, Fuse 23 on fuse holder C



- F Brake light switch
- J500 Power steering control unit
- J623 Engine/motor control unit
- SC21 Fuse 21 on fuse holder C
- SC22 Fuse 22 on fuse holder C
- SC23 Fuse 23 on fuse holder C
- T4c 4-pin connector, black
- T4f 4-pin connector, brown, in rear right of engine compartment
- T4n 4-pin connector, black
- T6q 6-pin connector, black, front right in engine compartment
- T6t 6-pin connector, black, front right in engine compartment
- T14c 14-pin connector, grey, near battery
- T14d 14-pin connector, black, near battery
- T17k 17-pin connector, blue, near driver side A-pillar
- T56d 56-pin connector, black
- T94 94-pin connector, black
- T94a 94-pin connector, black
- Z19 Lambda probe heater
- Z29 Lambda probe 1 heater after catalytic converter

B282 Positive connection 6 (15a) in main wiring harness

B536 Connection 27, in main wiring harness

B573 Connection 40, in main wiring harness

- * For models with diesel engine
- *2 For models with 2.0l engine
- *3 For models with petrol engine
- *4 For models with 3.0l engine
- *5 For models with electric interface for external use

- ws = white
- sw = black
- ro = red
- rt = red
- br = brown
- gn = green
- bl = blue
- gr = grey
- li = purple
- vi = purple
- ge = yellow
- or = orange
- rs = pink

127 128 129 130 131 132 133 134 135 136 137 138 139 140

TS60-055110219

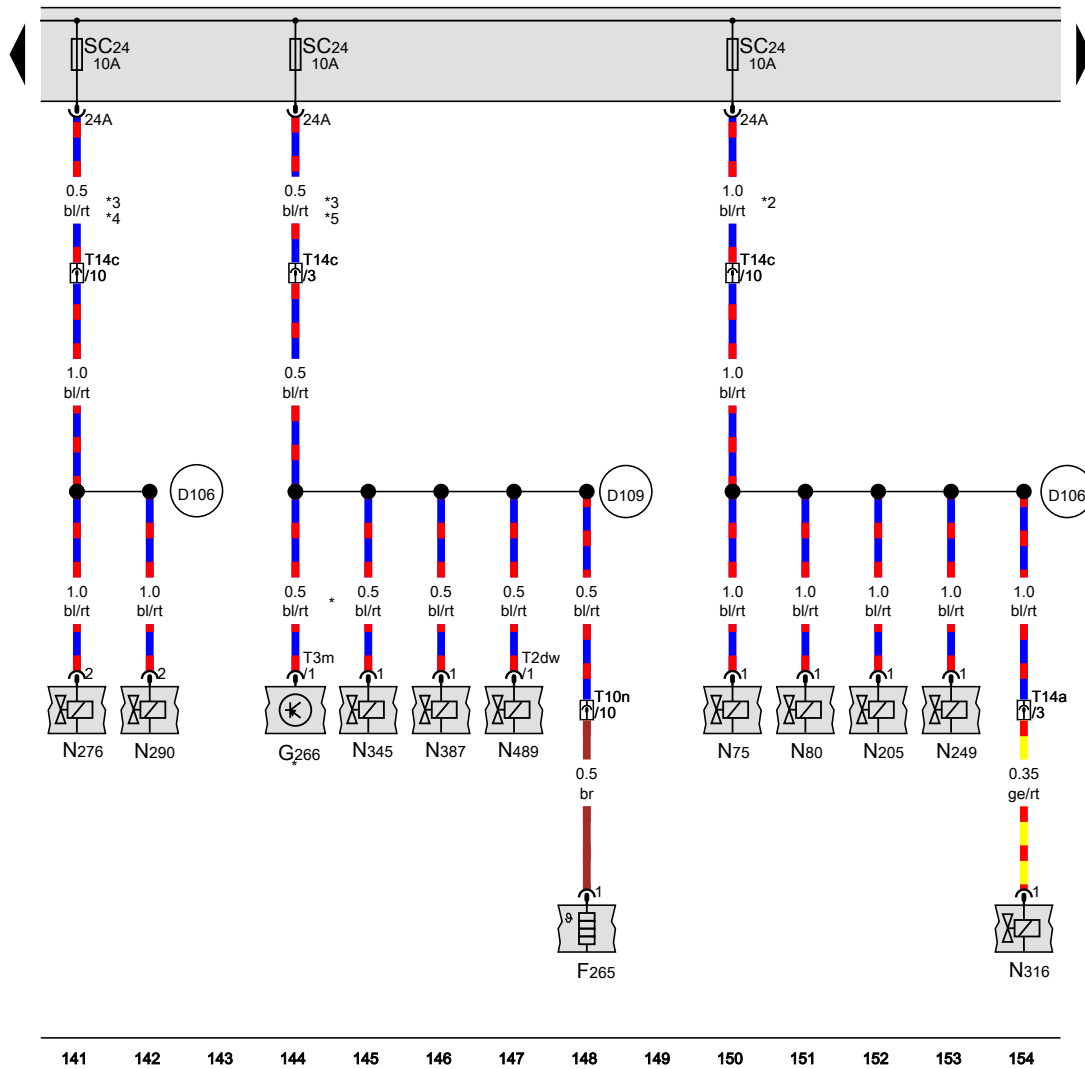
Fuse 24 on fuse holder C

- F265 Map-controlled engine cooling system thermostat
- G266 Oil level and oil temperature sender
- N75 Charge pressure control solenoid valve
- N80 Activated charcoal filter solenoid valve 1
- N205 Camshaft control valve 1
- N249 Turbocharger air recirculation valve
- N276 Fuel pressure regulating valve
- N290 Fuel metering valve
- N316 Intake manifold flap valve
- N345 Exhaust gas recirculation cooler changeover valve
- N387 Exhaust gas recirculation cooling bypass valve 2
- N489 Coolant valve for cylinder head
- SC24 Fuse 24 on fuse holder C
- T2dw 2-pin connector, grey
- T3m 3-pin connector, black
- T10n 10-pin connector, black
- T14a 14-pin connector, black, front left in engine compartment
- T14c 14-pin connector, grey, near battery

D106 Connection 4 in engine compartment wiring harness

D109 Connection 7 in engine compartment wiring harness

- * According to equipment
- *2 For models with petrol engine
- *3 For models with diesel engine
- *4 For models with 2.0l engine
- *5 For models with 3.0l engine

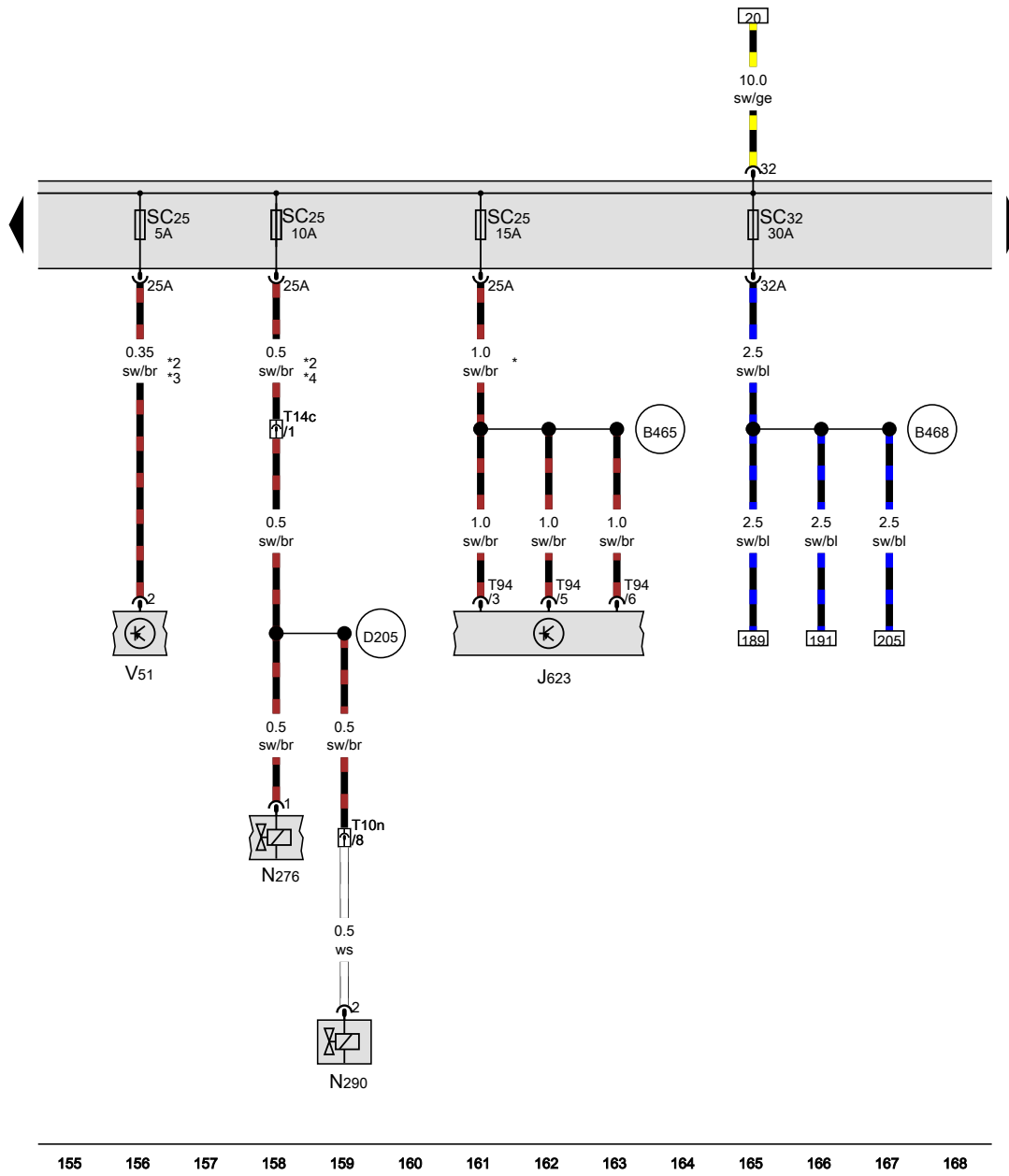


- ws = white
- sw = black
- ro = red
- rt = red
- br = brown
- gn = green
- bl = blue
- gr = grey
- li = purple
- vi = purple
- ge = yellow
- or = orange
- rs = pink



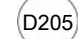
141 142 143 144 145 146 147 148 149 150 151 152 153 154

[S60-055120219]

Fuel metering valve, Fuse 25 on fuse holder C, Fuse 32 on fuse holder C



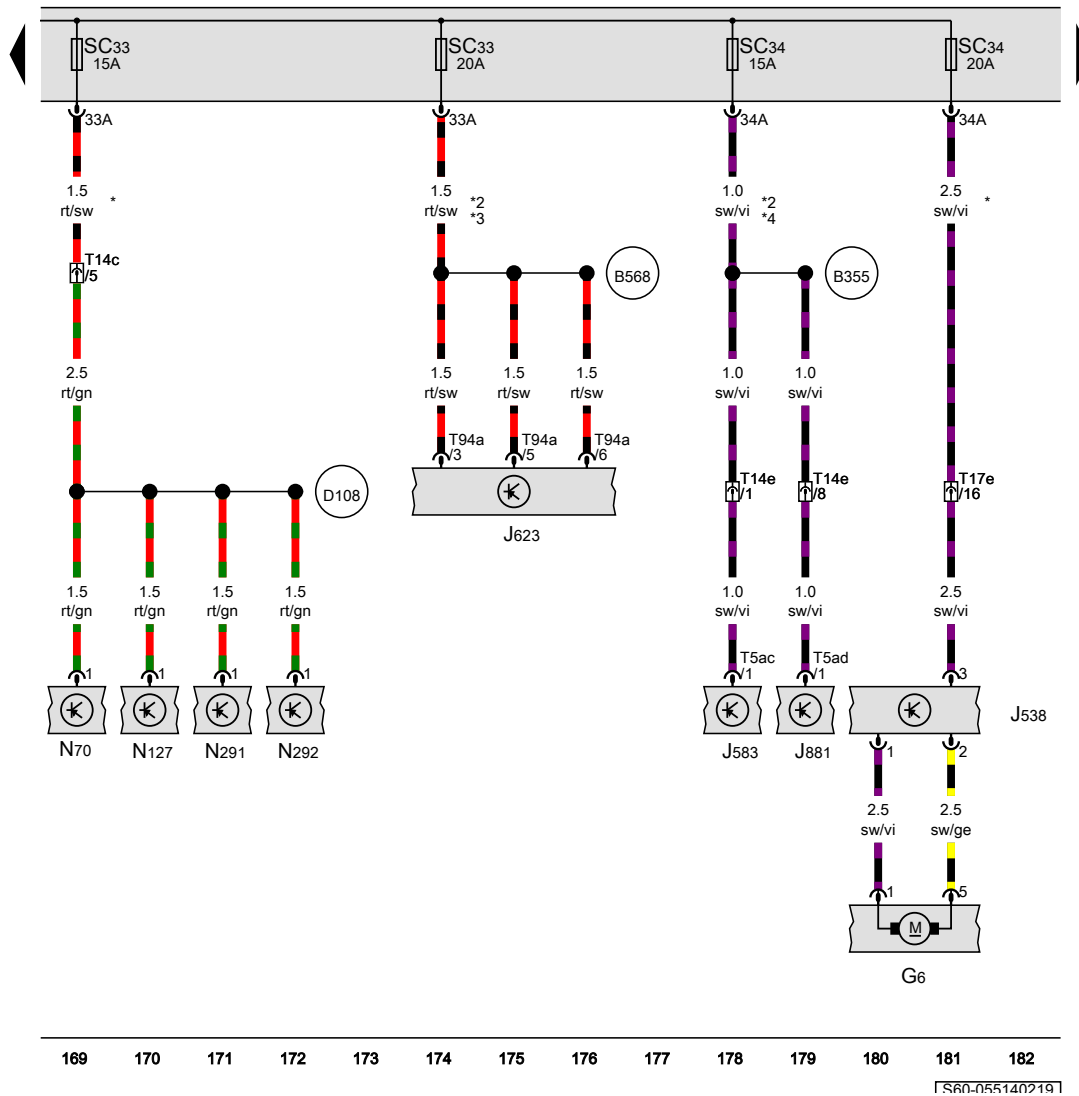
- J623 Engine/motor control unit
- N276 Fuel pressure regulating valve
- N290 Fuel metering valve
- SC25 Fuse 25 on fuse holder C
- SC32 Fuse 32 on fuse holder C
- T10n 10-pin connector, black
- T14c 14-pin connector, grey, near battery
- T94 94-pin connector, black
- V51 Continued coolant circulation pump

-  B465 Connection 1, in main wiring harness
-  B468 Connection 4, in main wiring harness
-  D205 Connection 3 (87a) in engine prewiring harness

- * For models with petrol engine
- *2 For models with diesel engine
- *3 For models with 2.0l engine
- *4 For models with 3.0l engine

- ws = white
- sw = black
- ro = red
- rt = red
- br = brown
- gn = green
- bl = blue
- gr = grey
- li = purple
- vi = purple
- ge = yellow
- or = orange
- rs = pink

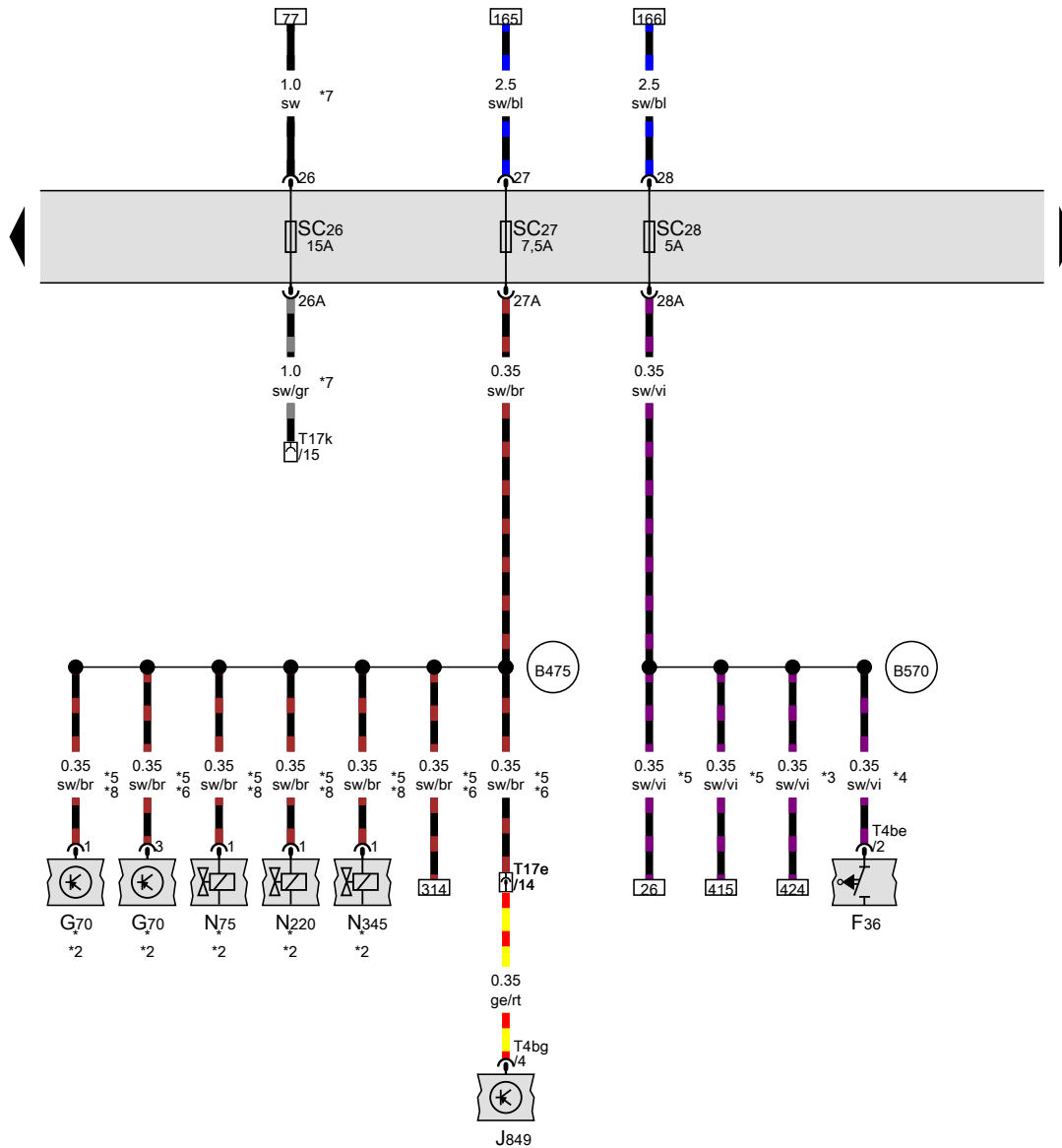
Fuse 33 on fuse holder C, Fuse 34 on fuse holder C



- G6 Fuel system pressurisation pump
- J538 Fuel pump control unit, on fuel tank
- J583 Control unit for NOx sender
- J623 Engine/motor control unit
- J881 Control unit for NOx sender 2
- N70 Ignition coil 1 with output stage
- N127 Ignition coil 2 with output stage
- N291 Ignition coil 3 with output stage
- N292 Ignition coil 4 with output stage
- SC33 Fuse 33 on fuse holder C
- SC34 Fuse 34 on fuse holder C
- T5ac 5-pin connector, black
- T5ad 5-pin connector, black
- T14c 14-pin connector, grey, near battery
- T14e 14-pin connector, grey, near right headlight
- T17e 17-pin connector, red, near handbrake lever
- T94a 94-pin connector, black
- B355 Positive connection 6 (87a) in main wiring harness
- B568 Connection 35, in main wiring harness
- D108 Connection 6 in engine compartment wiring harness
- * For models with petrol engine
- *2 For models with diesel engine
- *3 For models with 2.0l engine
- *4 For models with 3.0l engine

- ws = white
- sw = black
- ro = red
- rt = red
- br = brown
- gn = green
- bl = blue
- gr = grey
- li = purple
- vi = purple
- ge = yellow
- or = orange
- rs = pink

Fuse 26 on fuse holder C, Fuse 27 on fuse holder C, Fuse 28 on fuse holder C



- F36 Clutch pedal switch
- G70 Air mass meter
- J849 Control unit for sensor electronics
- N75 Charge pressure control solenoid valve
- N220 Exhaust flap valve
- N345 Exhaust gas recirculation cooler changeover valve
- SC26 Fuse 26 on fuse holder C
- SC27 Fuse 27 on fuse holder C
- SC28 Fuse 28 on fuse holder C
- T4be 4-pin connector, black
- T4bg 4-pin connector, black
- T17e 17-pin connector, red, near handbrake lever
- T17k 17-pin connector, blue, near driver side A-pillar

B475 Connection 11, in main wiring harness

B570 Connection 37, in main wiring harness

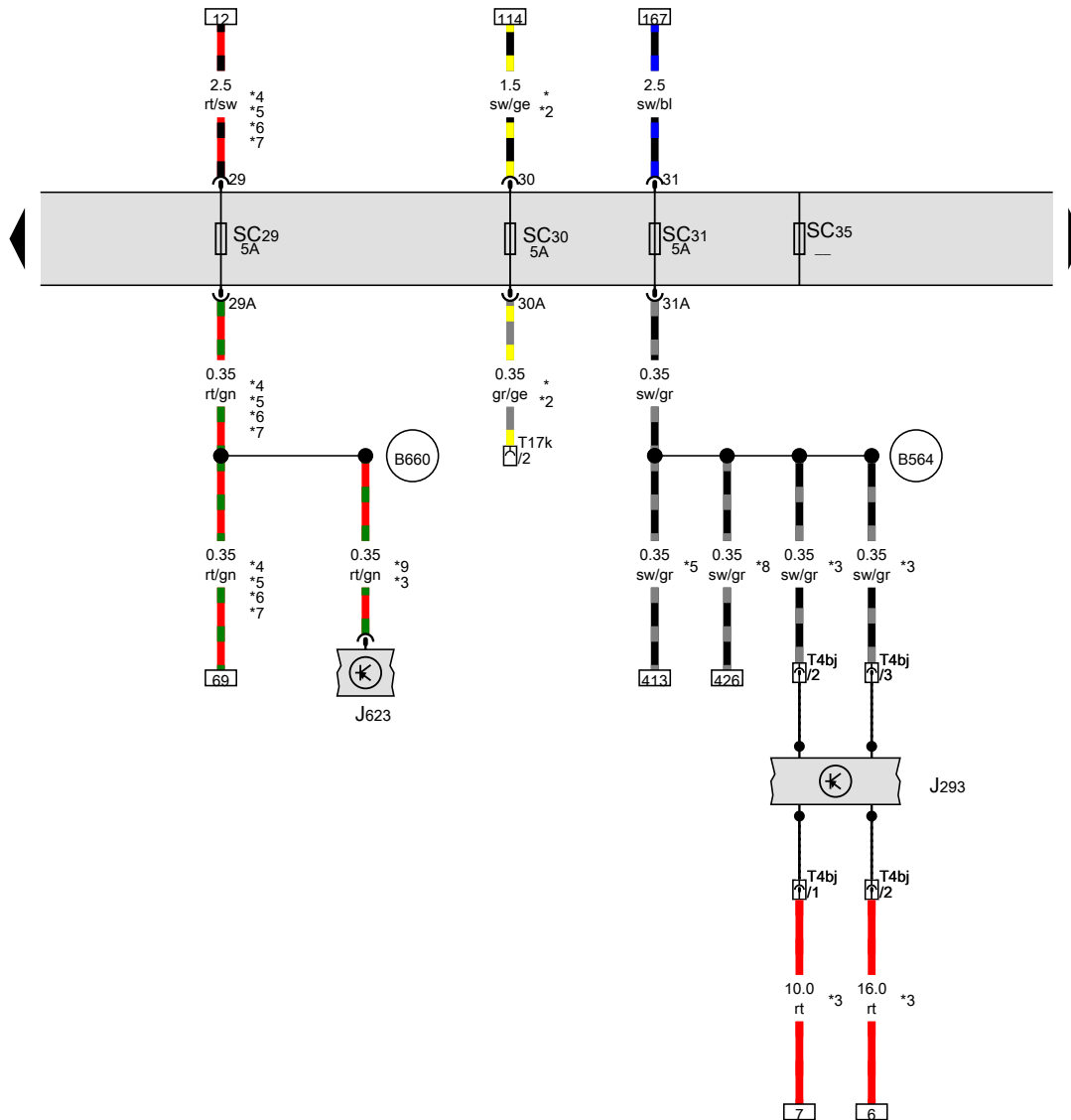
- * According to equipment
- *2 see applicable current flow diagram for engine
- *3 For models with petrol engine
- *4 For models with manual gearbox
- *5 For models with diesel engine
- *6 For models with 3.0l engine
- *7 For models with electric interface for external use
- *8 For models with 2.0l engine

- ws = white
- sw = black
- ro = red
- rt = red
- br = brown
- gn = green
- bl = blue
- gr = grey
- li = purple
- vi = purple
- ge = yellow
- or = orange
- rs = pink

183 184 185 186 187 188 189 190 191 192 193 194 195 196

[560-055150219]

Fuse 29 on fuse holder C, Fuse 30 on fuse holder C, Fuse 31 on fuse holder C, Fuse 35 on fuse holder C



- J293 Radiator fan control unit
- J623 Engine/motor control unit
- SC29 Fuse 29 on fuse holder C
- SC30 Fuse 30 on fuse holder C
- SC31 Fuse 31 on fuse holder C
- SC35 Fuse 35 on fuse holder C
- T4bj 4-pin connector, black, on radiator cowl
- T17k 17-pin connector, blue, near driver side A-pillar

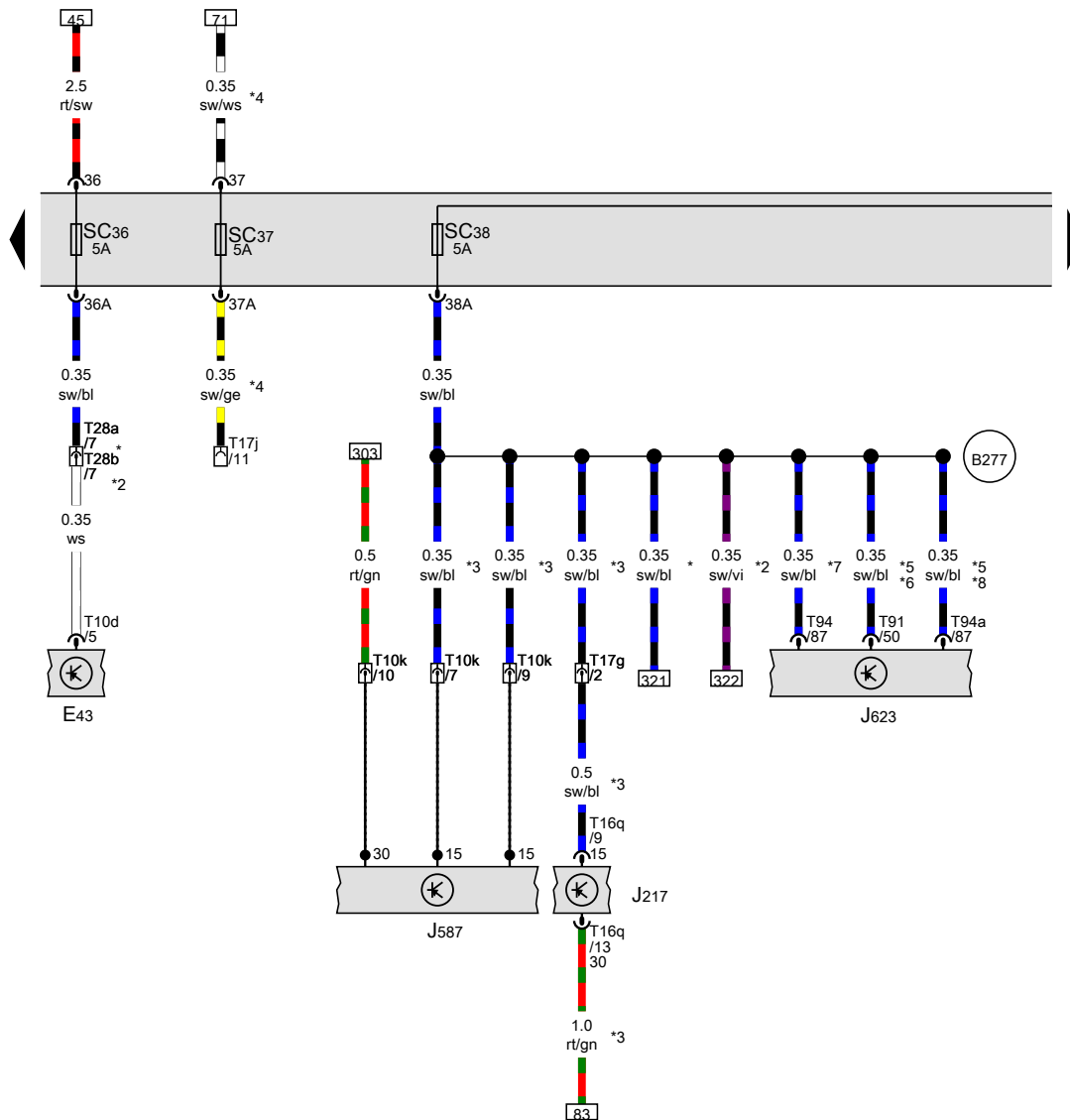
B564 Connection 31, in main wiring harness

B660 Connection (diagnosis terminal 50), in main wiring harness

- * For models with fog lights
- *2 For models with electric interface for external use
- *3 see applicable current flow diagram for engine
- *4 For models with 3.0l engine
- *5 For models with diesel engine
- *6 For models with 2.0l engine
- *7 For models with start/stop system
- *8 For models with petrol engine
- *9 According to equipment

- ws = white
- sw = black
- ro = red
- rt = red
- br = brown
- gn = green
- bl = blue
- gr = grey
- li = purple
- vi = purple
- ge = yellow
- or = orange
- rs = pink

Fuse 36 on fuse holder C, Fuse 37 on fuse holder C, Fuse 38 on fuse holder C



- E43 Mirror adjustment switch, in driver door
- J217 Automatic gearbox control unit
- J587 Selector lever sensors control unit
- J623 Engine/motor control unit
- SC36 Fuse 36 on fuse holder C
- SC37 Fuse 37 on fuse holder C
- SC38 Fuse 38 on fuse holder C
- T10d 10-pin connector, black
- T10k 10-pin connector, black
- T16q 16-pin connector, black
- T17g 17-pin connector, black
- T17j 17-pin connector, green, near driver side A-pillar
- T28a 28-pin connector, black, on left A-pillar
- T28b 28-pin connector, black, on right A-pillar
- T91 91-pin connector, black
- T94 94-pin connector, black
- T94a 94-pin connector, black

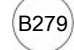
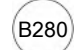
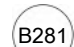
B277 Positive connection 1 (15a) in main wiring harness

- * For left-hand drive models
- *2 For right-hand drive models
- *3 For models with automatic gearbox
- *4 For models with electric interface for external use
- *5 For models with diesel engine
- *6 For models with 3.0l engine
- *7 For models with petrol engine
- *8 For models with 2.0l engine

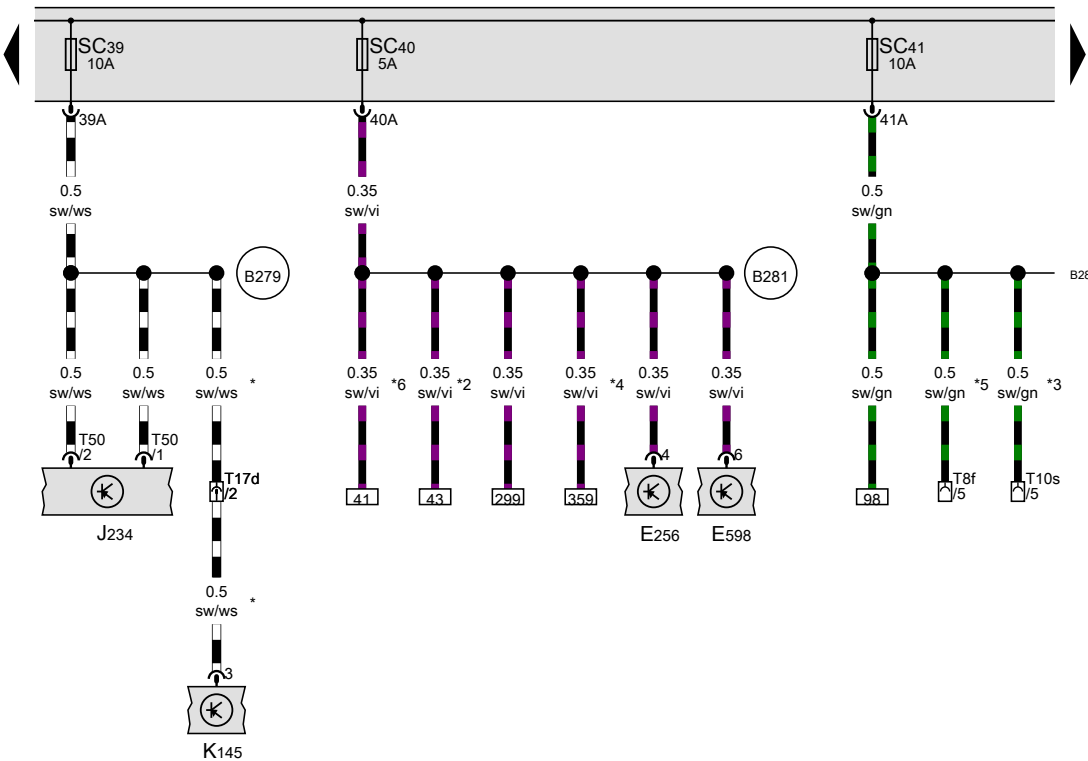
- ws = white
- sw = black
- ro = red
- rt = red
- br = brown
- gn = green
- bl = blue
- gr = grey
- li = purple
- vi = purple
- ge = yellow
- or = orange
- rs = pink

Fuse 39 on fuse holder C, Fuse 40 on fuse holder C, Fuse 41 on fuse holder C

- E256 Button for TCS and electronic stabilisation program
- E598 Driving program button
- J234 Airbag control unit, under centre console
- K145 Warning lamp for airbag deactivated on front passenger side
- SC39 Fuse 39 on fuse holder C
- SC40 Fuse 40 on fuse holder C
- SC41 Fuse 41 on fuse holder C
- T8f 8-pin connector, black
- T10s 10-pin connector, black
- T17d 17-pin connector, green, behind dash panel
- T50 50-pin connector, yellow

-  B279 Positive connection 3 (15a) in main wiring harness
-  B280 Positive connection 4 (15a) in main wiring harness
-  B281 Positive connection 5 (15a) in main wiring harness

- * For models with key-operated switch to deactivate front passenger airbag/side airbag/belt buckle sensor
- *2 For models with no air conditioning system
- *3 For models with provision for side member lighting
- *4 According to equipment
- *5 For models with no provision for side member lighting
- *6 For models with 3.0l engine

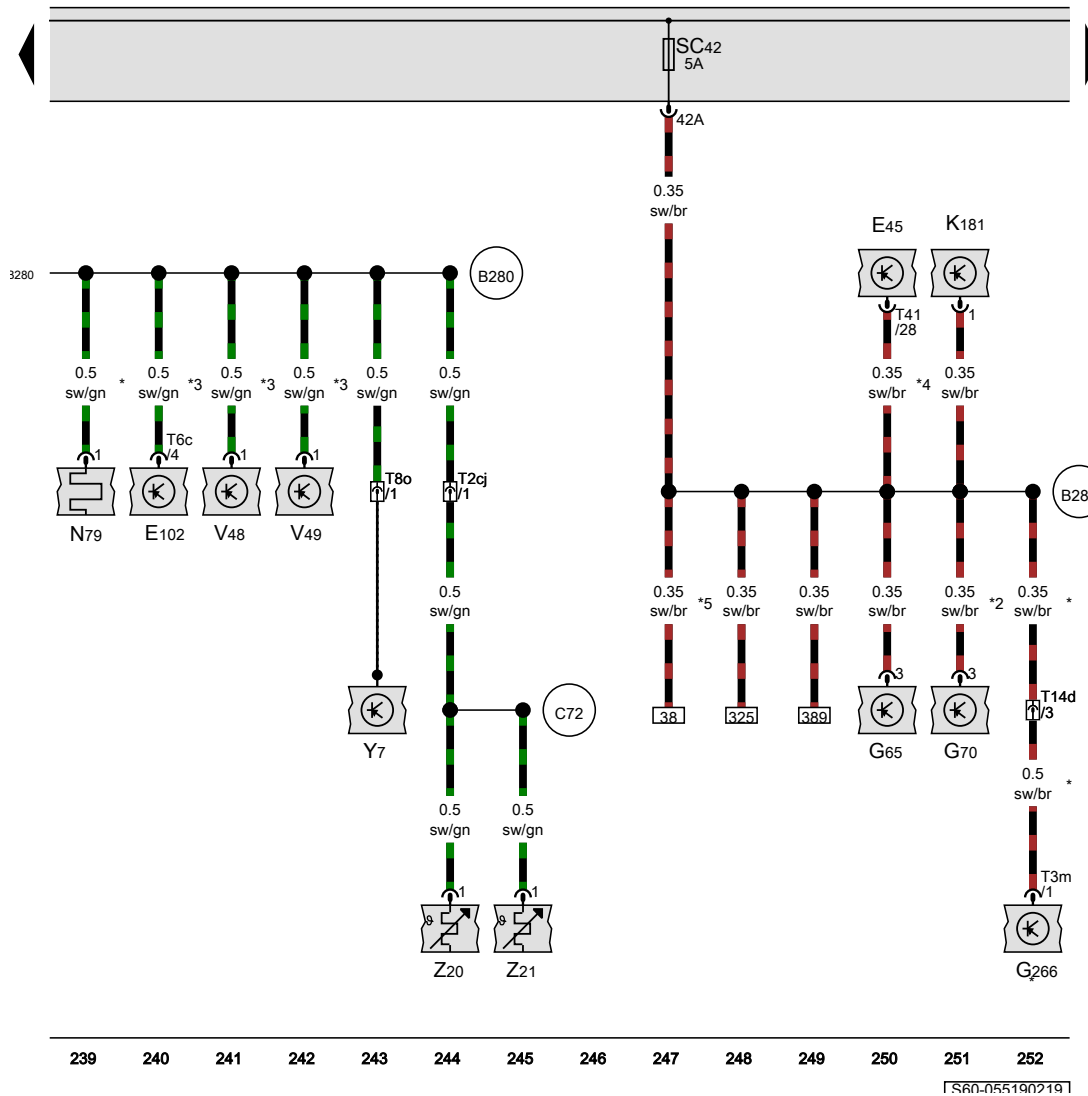


- ws = white
- sw = black
- ro = red
- rt = red
- br = brown
- gn = green
- bl = blue
- gr = grey
- li = purple
- vi = purple
- ge = yellow
- or = orange
- rs = pink

225 226 227 228 229 230 231 232 233 234 235 236 237 238

[S60-055180219]

Fuse 42 on fuse holder C

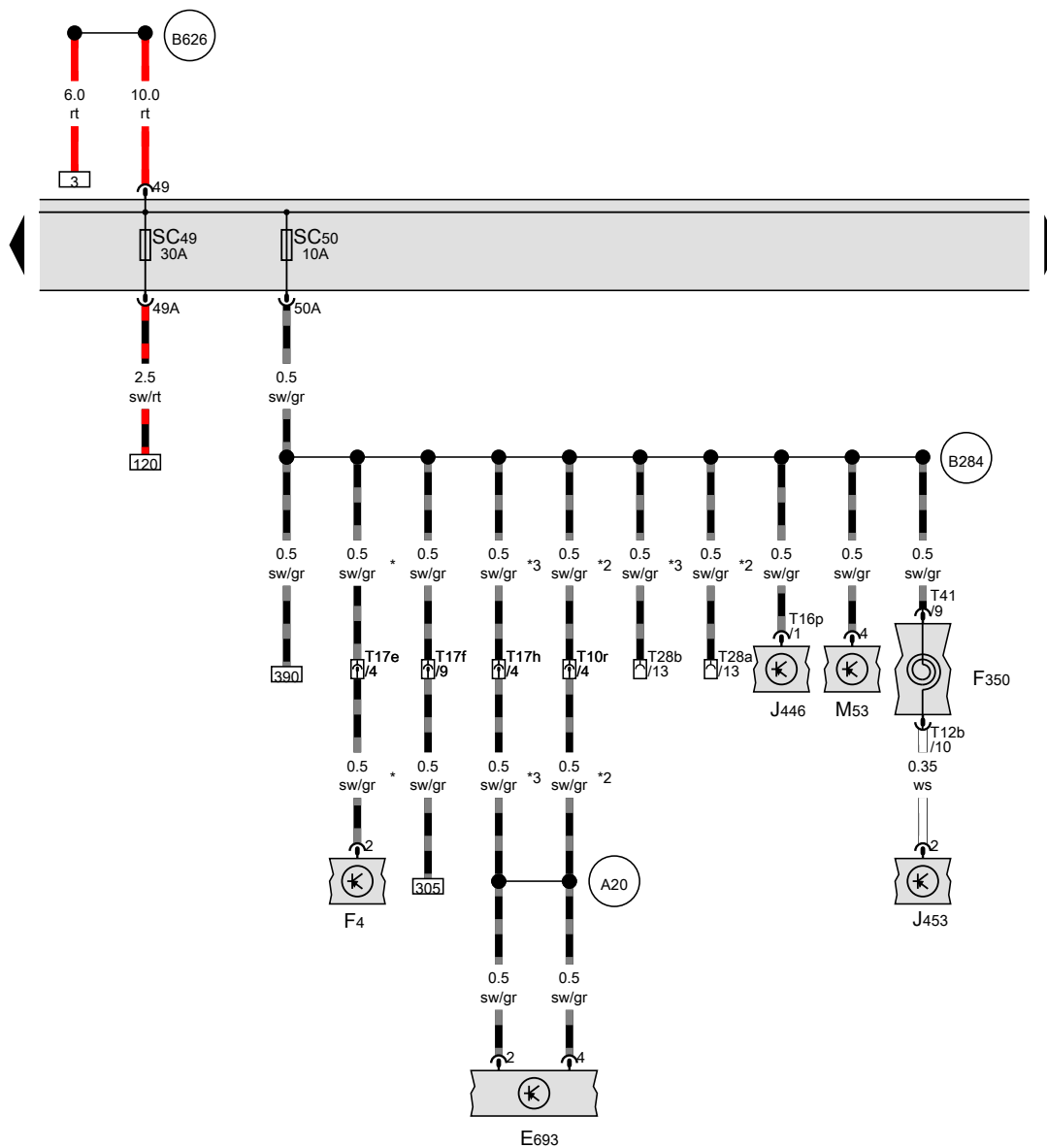


- E45 Cruise control system switch
- E102 Headlight range control regulator
- G65 High-pressure sender
- G70 Air mass meter
- G266 Oil level and oil temperature sender
- K181 Normal operation warning lamp in transfer box operating unit
- N79 Heater element for crankcase breather
- SC42 Fuse 42 on fuse holder C
- T2cj 2-pin connector, black, near window wiper motor
- T3m 3-pin connector, black
- T6c 6-pin connector, black
- T8o 8-pin connector, black, on interior mirror
- T14d 14-pin connector, black, near battery
- T41 41-pin connector, grey
- V48 Left headlight range control motor
- V49 Right headlight range control motor
- Y7 Automatic anti-dazzle interior mirror, on interior mirror
- Z20 Left washer jet heater element
- Z21 Right washer jet heater element

- B280** Positive connection 4 (15a) in main wiring harness
- B283** Positive connection 7 (15a) in main wiring harness
- C72** Positive connection in heated washer jet wiring harness

- * According to equipment
- *2 For models with petrol engine
- *3 For models with headlight range control
- *4 For models with cruise control system (CCS)
- *5 For models with 2.0l engine

- ws = white
- sw = black
- ro = red
- rt = red
- br = brown
- gn = green
- bl = blue
- gr = grey
- li = purple
- vi = purple
- ge = yellow
- or = orange
- rs = pink



Fuse 49 on fuse holder C, Fuse 50 on fuse holder C

- E693 Start/Stop operation button
- F4 Reversing light switch
- F350 Coil connector
- J446 Parking aid control unit
- M53 Load area illumination bulb
- SC49 Fuse 49 on fuse holder C
- SC50 Fuse 50 on fuse holder C
- T10r 10-pin connector, blue, behind dash panel
- T12b 12-pin connector, yellow
- T16p 16-pin connector, brown
- T17e 17-pin connector, red, near handbrake lever
- T17f 17-pin connector, blue, near handbrake lever
- T17h 17-pin connector, blue, behind dash panel
- T28a 28-pin connector, black, on left A-pillar
- T28b 28-pin connector, black, on right A-pillar
- T41 41-pin connector, grey

A20 Positive connection (15a), in dash panel wiring harness

B284 Positive connection 8 (15a) in main wiring harness

B626 Positive connection 2 (15), in main wiring harness

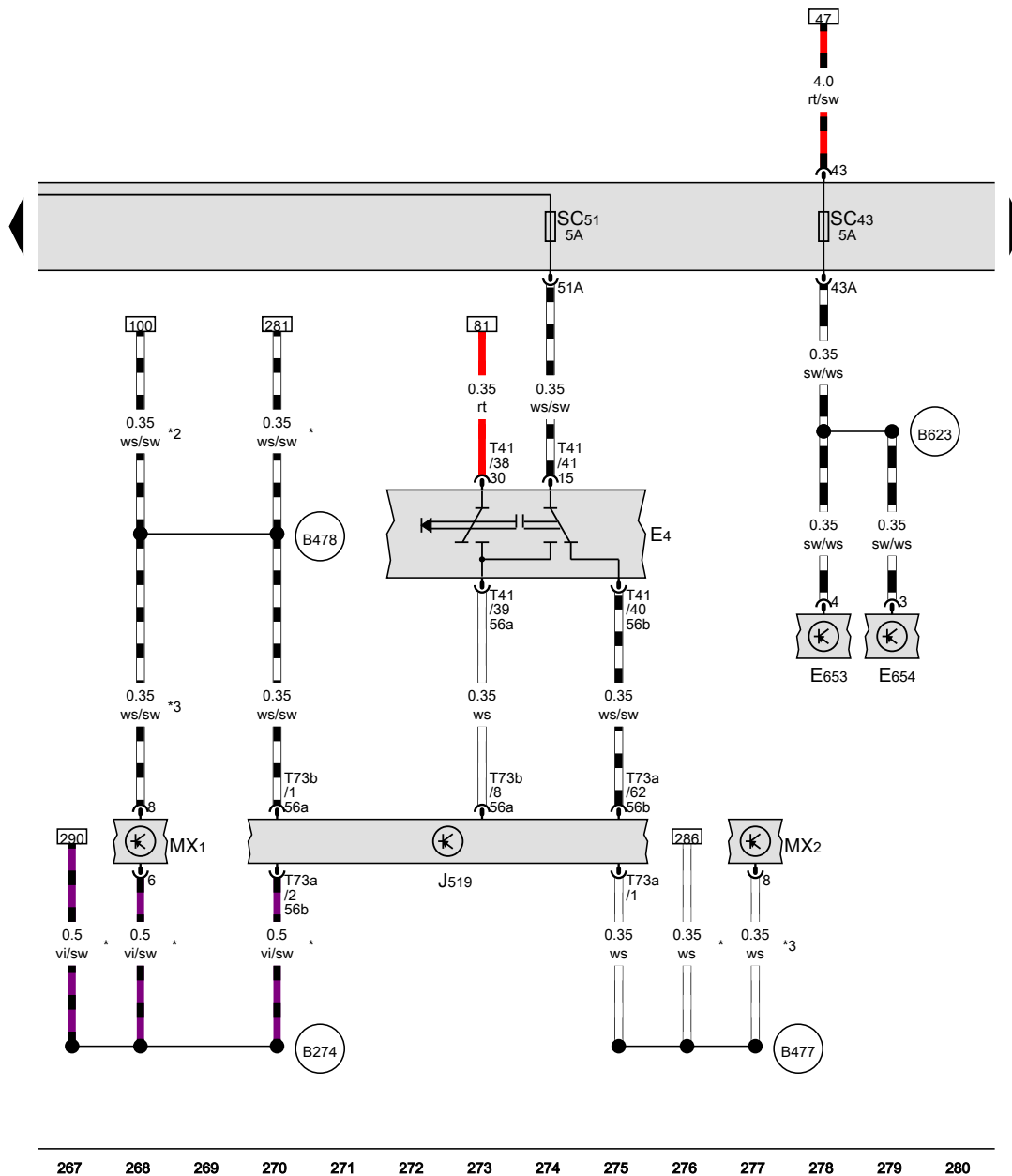
- * For models with manual gearbox
- *2 For right-hand drive models
- *3 For left-hand drive models

- ws = white
- sw = black
- ro = red
- rt = red
- br = brown
- gn = green
- bl = blue
- gr = grey
- li = purple
- vi = purple
- ge = yellow
- or = orange
- rs = pink

253 254 255 256 257 258 259 260 261 262 263 264 265 266

[S60-055200219]

Fuse 43 on fuse holder C, Fuse 51 on fuse holder C

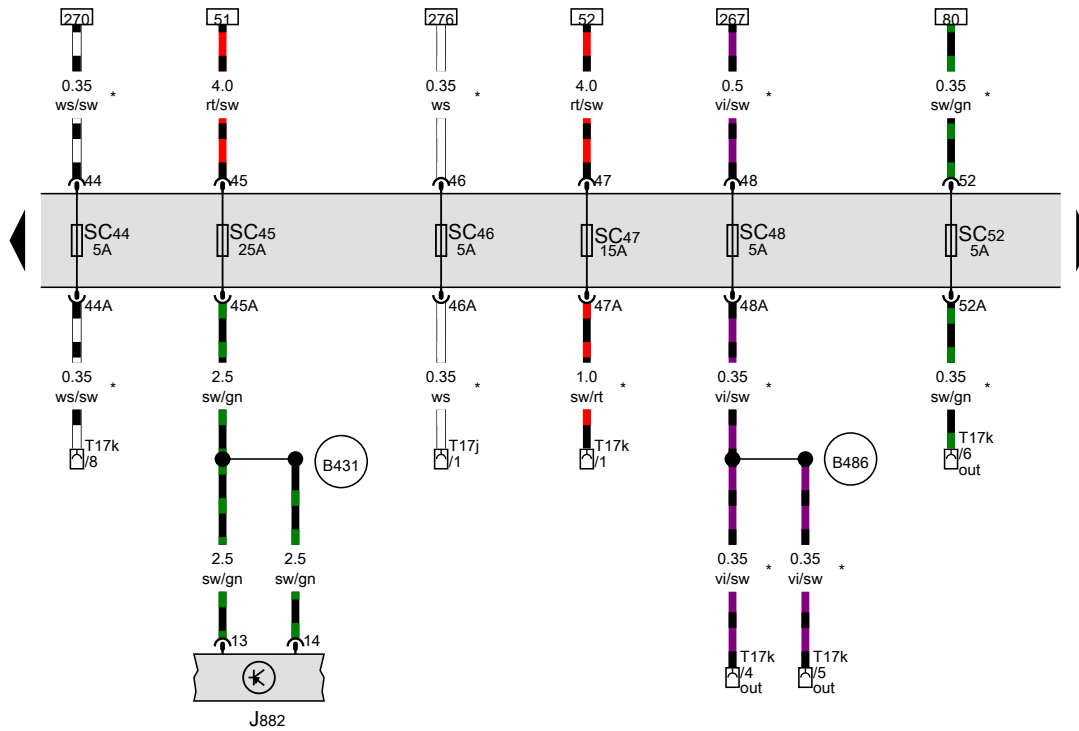


- E4 Headlight dipper and flasher switch
- E653 Button for left seat heating
- E654 Button for right seat heating
- J519 Onboard supply control unit
- MX1 Front left headlight
- MX2 Front right headlight
- SC43 Fuse 43 on fuse holder C
- SC51 Fuse 51 on fuse holder C
- T41 41-pin connector, grey
- T73a 73-pin connector, black
- T73b 73-pin connector, colourless
- B274 Positive connection (58L), in main wiring harness
- B477 Connection 13, in main wiring harness
- B478 Connection 14, in main wiring harness
- B623 Connection 1 (75x), in main wiring harness
- * For models with electric interface for external use
- *2 For models with auxiliary lights
- *3 For models with no auxiliary lights

- ws = white
- sw = black
- ro = red
- rt = red
- br = brown
- gn = green
- bl = blue
- gr = grey
- li = purple
- vi = purple
- ge = yellow
- or = orange
- rs = pink

[S60-055210219]

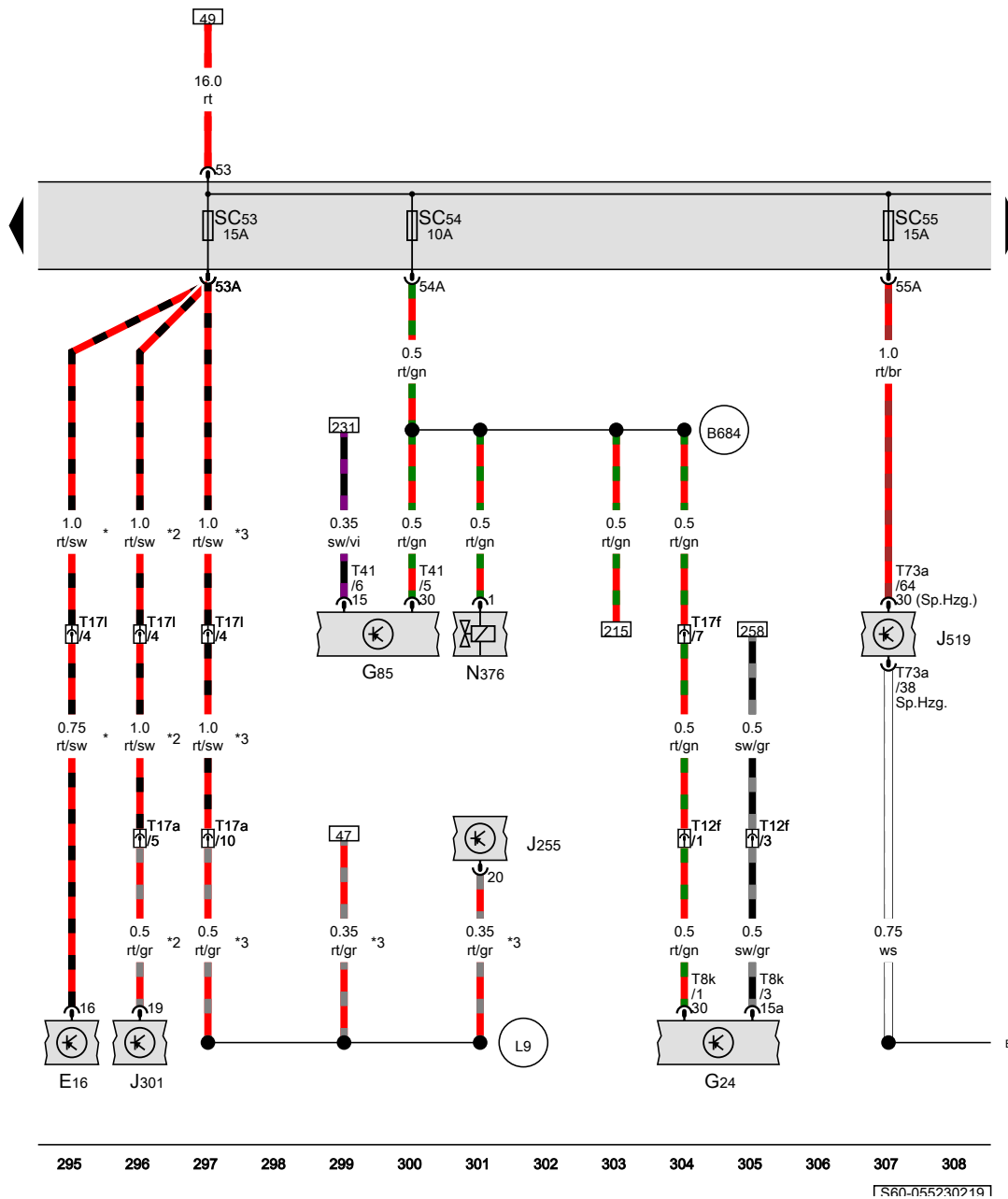
Fuse 44 on fuse holder C, Fuse 45 on fuse holder C, Fuse 46 on fuse holder C, Fuse 47 on fuse holder C, Fuse 48 on fuse holder C, Fuse 52 on fuse holder C



- J882 Seat heating control unit
- SC44 Fuse 44 on fuse holder C
- SC45 Fuse 45 on fuse holder C
- SC46 Fuse 46 on fuse holder C
- SC47 Fuse 47 on fuse holder C
- SC48 Fuse 48 on fuse holder C
- SC52 Fuse 52 on fuse holder C
- T17j 17-pin connector, green, near driver side A-pillar
- T17k 17-pin connector, blue, near driver side A-pillar
- B431 Connection (seat heating), in main wiring harness
- B486 Connection 22, in main wiring harness
- * For models with electric interface for external use

- ws = white
- sw = black
- ro = red
- rt = red
- br = brown
- gn = green
- bl = blue
- gr = grey
- li = purple
- vi = purple
- ge = yellow
- or = orange
- rs = pink

Fuse 53 on fuse holder C, Fuse 54 on fuse holder C, Fuse 55 on fuse holder C

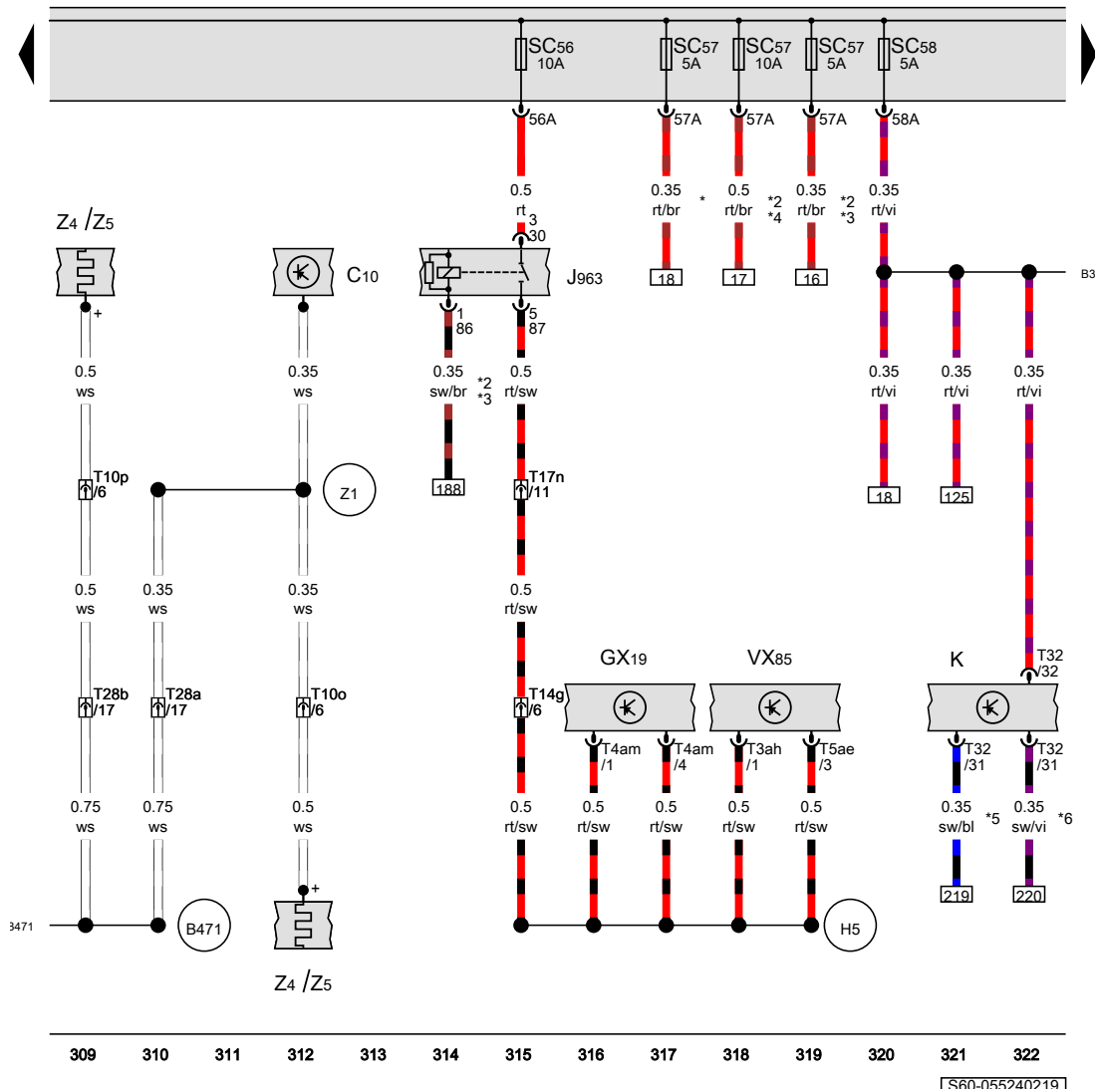


- E16 Heater/heat output switch
- G24 Tachograph
- G85 Steering angle sender
- J255 Climatronic control unit, in centre of dash panel
- J301 Air conditioning system control unit
- J519 Onboard supply control unit, near driver side A-pillar
- N376 Ignition key withdrawal lock solenoid
- SC53 Fuse 53 on fuse holder C
- SC54 Fuse 54 on fuse holder C
- SC55 Fuse 55 on fuse holder C
- T8k 8-pin connector, colourless
- T12f 12-pin connector, black
- T17a 17-pin connector, black
- T17f 17-pin connector, blue, near handbrake lever
- T17i 17-pin connector, brown, behind dash panel
- T41 41-pin connector, grey
- T73a 73-pin connector, black

- (B471) Connection 7, in main wiring harness
- (B684) Positive connection 24 (30a) in main wiring harness
- (L9) Connection 1, in air conditioning system wiring harness
- * For models with no air conditioning system/Climatronic
- *2 For models with Climatronic
- *3 For models with Climatronic

- ws = white
- sw = black
- ro = red
- rt = red
- br = brown
- gn = green
- bl = blue
- gr = grey
- li = purple
- vi = purple
- ge = yellow
- or = orange
- rs = pink

Delivery unit for reducing agent metering system, Fuse 56 on fuse holder C, Fuse 57 on fuse holder C, Fuse 58 on fuse holder C, Reducing agent tank



- C10 Suppression filter, in left door
- GX19 Delivery unit for reducing agent metering system, on reducing-agent tank
- J963 Relay for reducing agent metering system
- K Dash panel insert
- SC56 Fuse 56 on fuse holder C
- SC57 Fuse 57 on fuse holder C
- SC58 Fuse 58 on fuse holder C
- T3ah 3-pin connector, black
- T4am 4-pin connector, black
- T5ae 5-pin connector, black
- T10o 10-pin connector, black
- T10p 10-pin connector, black
- T14g 14-pin connector, grey, rear
- T17n 17-pin connector, green, near handbrake lever
- T28a 28-pin connector, black, on left A-pillar
- T28b 28-pin connector, black, on right A-pillar
- T32 32-pin connector, blue
- VX85 Reducing agent tank
- Z4 Heated exterior mirror on driver side
- Z5 Heated exterior mirror on passenger side

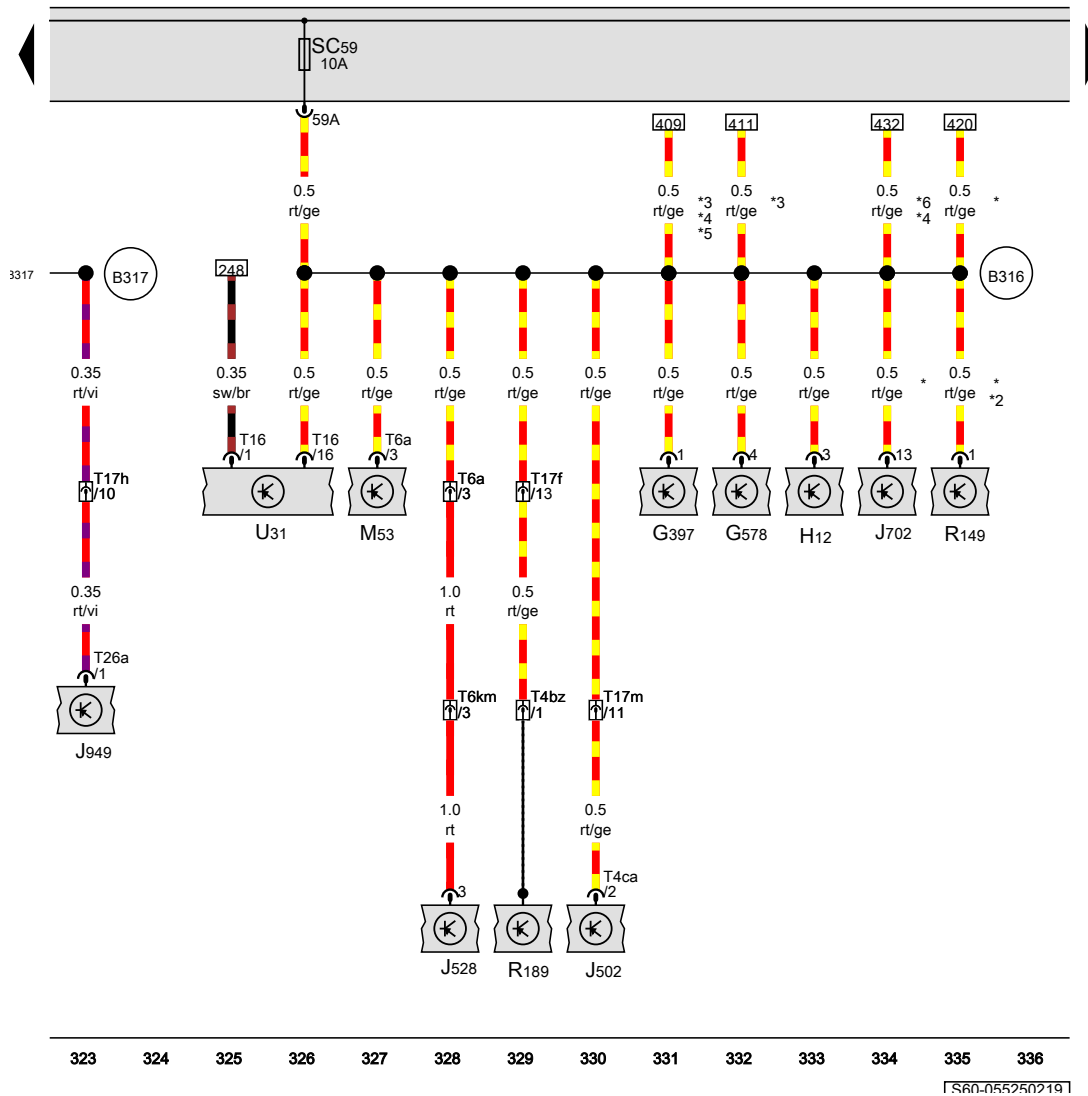
- B31 Positive connection 3 (30a) in main wiring harness
- B471 Connection 7, in main wiring harness
- H5 Connection 3 in wiring harness for reducing agent tank
- Z1 Connection 1, in mirror adjustment/heating wiring harness

- * For models with petrol engine
- *2 For models with diesel engine
- *3 For models with 3.0l engine
- *4 For models with 2.0l engine
- *5 For left-hand drive models
- *6 For right-hand drive models

- ws = white
- ro = red
- br = brown
- gn = green
- bl = blue
- gr = grey
- li = purple
- vi = purple
- ge = yellow
- or = orange
- rs = pink

1S6N-0552402191

Emergency call module control unit and communication unit, Fuse 59 on fuse holder C



- G397 Rain and light sensor
- G578 Anti-theft alarm sensor
- H12 Alarm horn
- J502 Tyre Pressure Monitoring System control unit
- J528 Roof electronics control unit
- J702 Roof display unit, near interior mirror
- J949 Emergency call module control unit and communication unit
- M53 Load area illumination bulb
- R149 Remote control receiver for auxiliary coolant heater
- R189 Reversing camera
- SC59 Fuse 59 on fuse holder C
- T4bz 4-pin connector, black, on longitudinal member, rear, left
- T4ca 4-pin connector, grey
- T6a 6-pin connector, black, on rear roof module
- T6km 6-pin connector, black
- T16 16-pin connector, black
- T17f 17-pin connector, blue, near handbrake lever
- T17h 17-pin connector, blue, behind dash panel
- T17m 17-pin connector, brown, near handbrake lever
- T26a 26-pin connector, black
- U31 Diagnostic connection, near lower part of right A-pillar

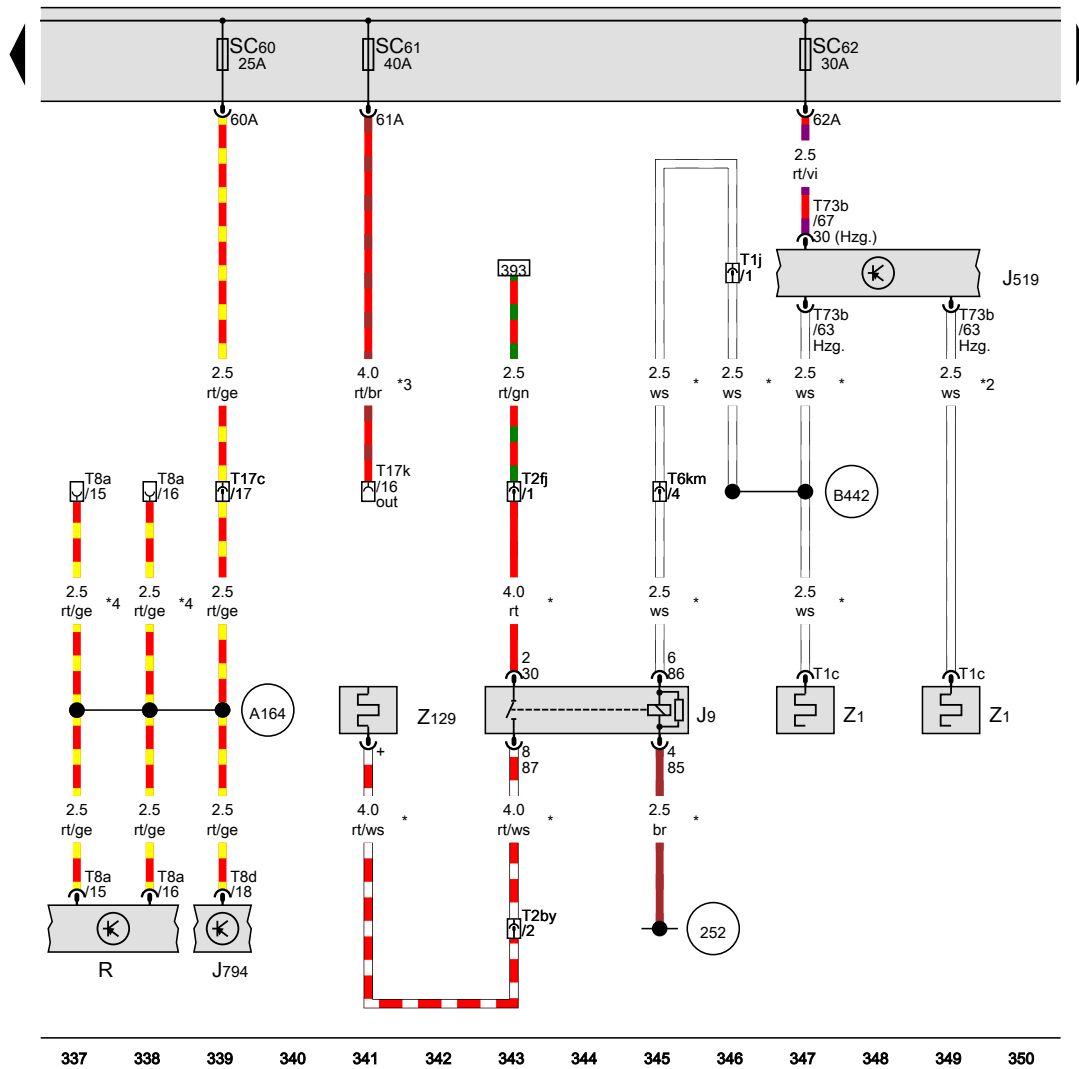
- B316** Positive connection 2 (30a) in main wiring harness
- B317** Positive connection 3 (30a) in main wiring harness
- * Only models with auxiliary coolant heater
- *2 For models with remote control receiver for auxiliary coolant heater
- *3 For models with diesel engine
- *4 For models with Climatronic
- *5 For models with Climatic
- *6 For models with petrol engine

- ws = white
- sw = black
- ro = red
- rt = red
- br = brown
- gn = green
- bl = blue
- gr = grey
- li = purple
- vi = purple
- ge = yellow
- or = orange
- rs = pink

1560-055250219

Heated rear window relay, Fuse 60 on fuse holder C, Fuse 61 on fuse holder C, Fuse 62 on fuse holder C

- J9 Heated rear window relay, near rear lid, behind moulded headliner
- J519 Onboard supply control unit
- J794 Control unit 1 for information electronics
- R Radio
- SC60 Fuse 60 on fuse holder C
- SC61 Fuse 61 on fuse holder C
- SC62 Fuse 62 on fuse holder C
- T1c 1-pin connector, black
- T1j 1-pin connector, black, on rear roof module
- T2by 2-pin connector, black, Coupling point for rear lid
- T2fj 2-pin connector, brown, on cross panel, rear, left
- T6km 6-pin connector, black
- T8a 8-pin connector, black
- T8d 8-pin connector, black
- T17c 17-pin connector, white, behind dash panel
- T17k 17-pin connector, blue, near driver side A-pillar
- T73b 73-pin connector, colourless
- Z1 Heated rear window
- Z129 Heated rear window for hardtop, in rear lid




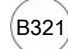
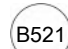
- 252 Earth connection, in optional equipment wiring harness
- A164 Positive connection 2 (30a) in dash panel wiring harness
- B442 Connection 1 (rear window), in main wiring harness
- * For models with hardtop
- *2 For models with no hardtop
- *3 For models with electric interface for external use
- *4 For models with preparation for radio

- ws = white
- sw = black
- ro = red
- rt = red
- br = brown
- gn = green
- bl = blue
- gr = grey
- li = purple
- vi = purple
- ge = yellow
- or = orange
- rs = pink

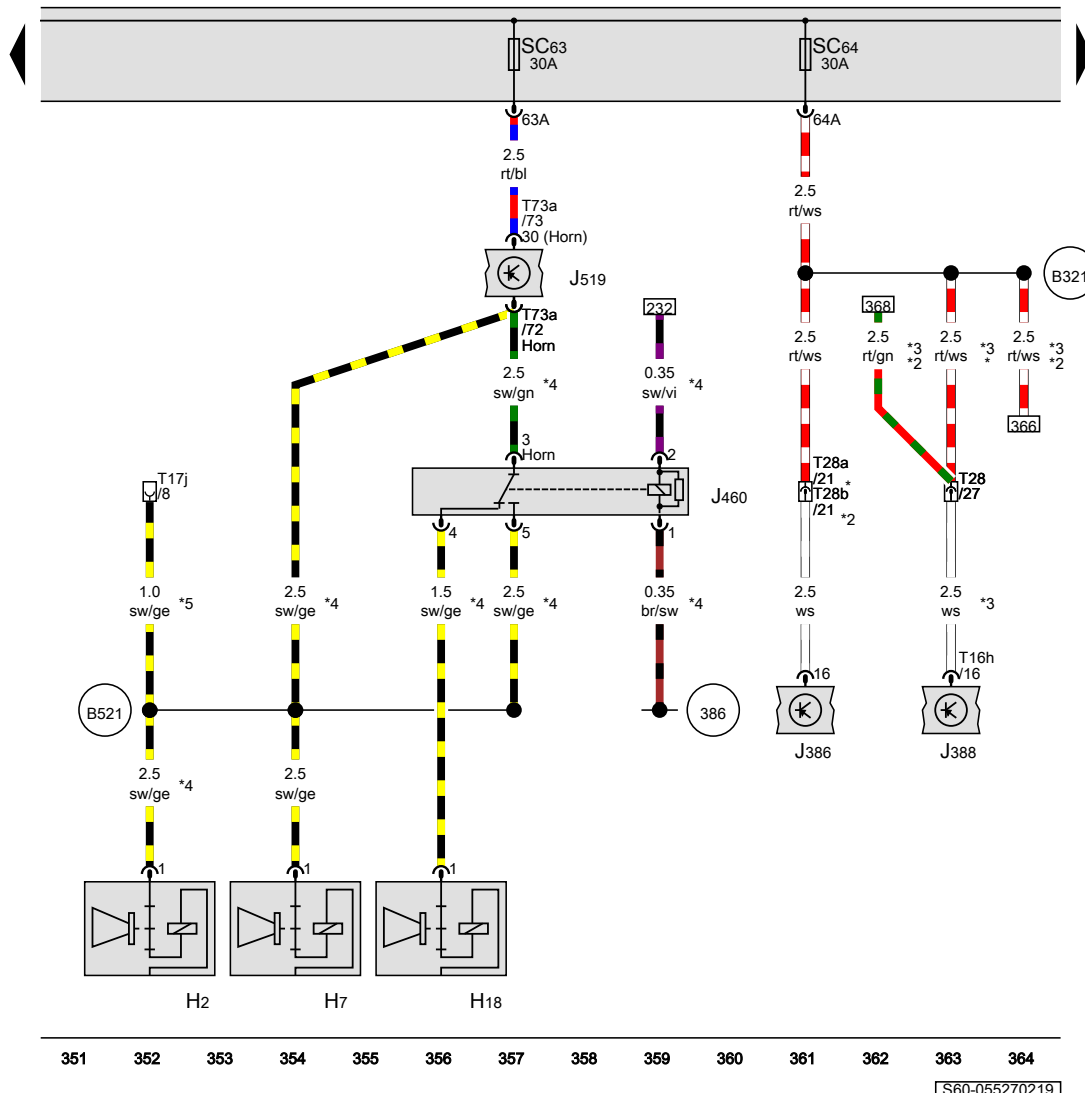
1S60-055260219

Alarm system relay 1, Fuse 63 on fuse holder C, Fuse 64 on fuse holder C

- H2 Treble horn
- H7 Bass horn
- H18 Alarm system horn
- J386 Driver door control unit
- J388 Rear left door control unit
- J460 Alarm system relay 1
- J519 Onboard supply control unit
- SC63 Fuse 63 on fuse holder C
- SC64 Fuse 64 on fuse holder C
- T17h 16-pin connector, black
- T17j 17-pin connector, green, near driver side A-pillar
- T28 28-pin connector, black, on left B-pillar
- T28a 28-pin connector, black, on left A-pillar
- T28b 28-pin connector, black, on right A-pillar
- T73a 73-pin connector, black

-  386 Earth connection 21, in main wiring harness
-  B321 Positive connection 7 (30a) in main wiring harness
-  B521 Connection (dual tone horn), in main wiring harness
- * For left-hand drive models
- *2 For right-hand drive models
- *3 For models with double cab
- *4 According to equipment
- *5 For models with electric interface for external use





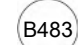
- ws = white
- sw = black
- ro = red
- rt = red
- br = brown
- gn = green
- bl = blue
- gr = grey
- li = purple
- vi = purple
- ge = yellow
- or = orange
- rs = pink



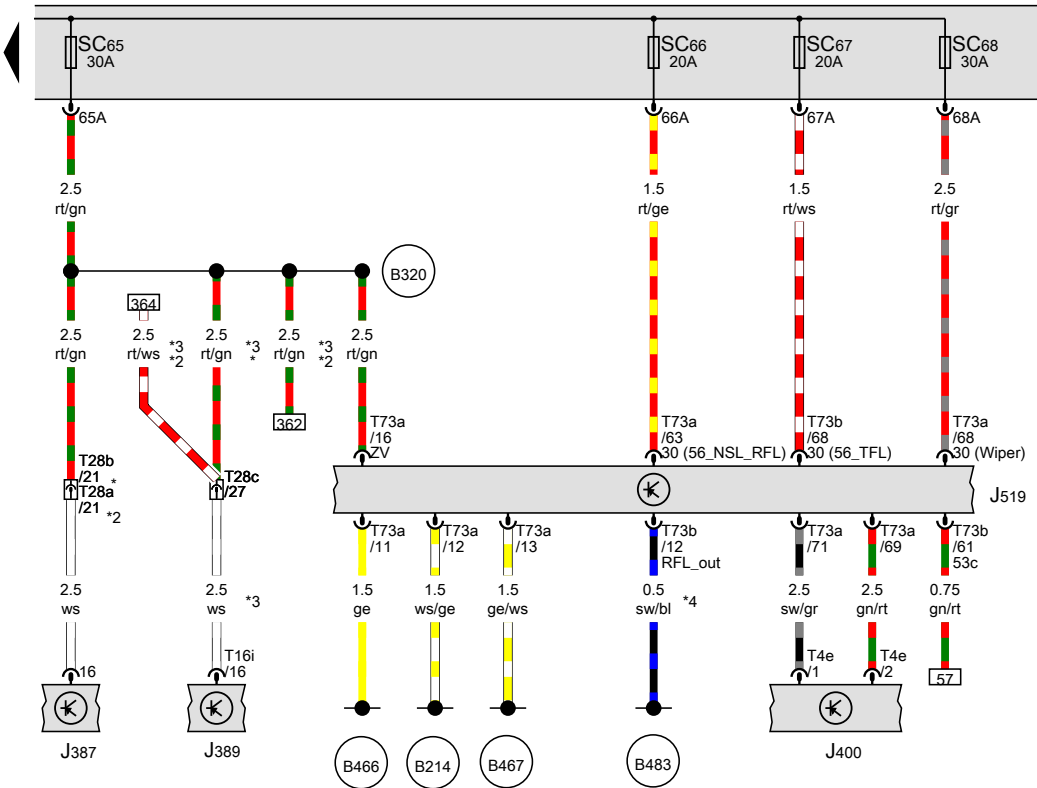
[S60-055270219]

Fuse 65 on fuse holder C, Fuse 66 on fuse holder C, Fuse 67 on fuse holder C, Fuse 68 on fuse holder C

- J387 Front passenger door control unit
- J389 Rear right door control unit
- J400 Wiper motor control unit
- J519 Onboard supply control unit
- SC65 Fuse 65 on fuse holder C
- SC66 Fuse 66 on fuse holder C
- SC67 Fuse 67 on fuse holder C
- SC68 Fuse 68 on fuse holder C
- T4e 4-pin connector, black
- T16i 16-pin connector, black
- T28a 28-pin connector, black, on left A-pillar
- T28b 28-pin connector, black, on right A-pillar
- T28c 28-pin connector, black, on right B-pillar
- T73a 73-pin connector, black
- T73b 73-pin connector, colourless

-  B214 Connection 1 (central locking), in interior wiring harness
-  B320 Positive connection 6 (30a) in main wiring harness
-  B466 Connection 2, in main wiring harness
-  B467 Connection 3, in main wiring harness
-  B483 Connection 19, in main wiring harness

- * For left-hand drive models
- *2 For right-hand drive models
- *3 For models with double cab
- *4 see applicable current flow diagram for exterior lighting

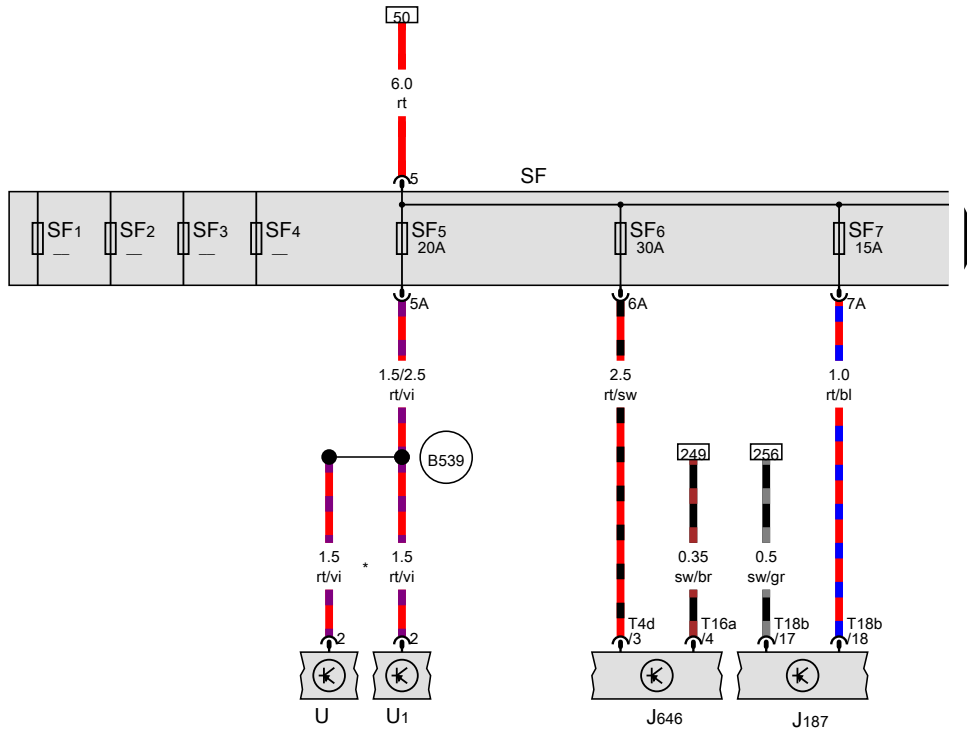


- ws = white
- sw = black
- ro = red
- rt = red
- br = brown
- gn = green
- bl = blue
- gr = grey
- li = purple
- vi = purple
- ge = yellow
- or = orange
- rs = pink

365 366 367 368 369 370 371 372 373 374 375 376 377 378

[S60-055280219]

Fuse 1 in fuse holder F, Fuse 2 in fuse holder F, Fuse 3 in fuse holder F, Fuse 4 in fuse holder F, Fuse 5 in fuse holder F, Fuse 6 in fuse holder F, Fuse 7 in fuse holder F



- J187 Differential lock control unit
- J646 Transfer box control unit
- SF Fuse holder F
- SF1 Fuse 1 in fuse holder F
- SF2 Fuse 2 in fuse holder F
- SF3 Fuse 3 in fuse holder F
- SF4 Fuse 4 in fuse holder F
- SF5 Fuse 5 in fuse holder F
- SF6 Fuse 6 in fuse holder F
- SF7 Fuse 7 in fuse holder F
- T4d 4-pin connector, brown
- T16a 16-pin connector, brown
- T18b 18-pin connector, black
- U Electric socket, on centre console switch module
- U1 Cigarette lighter, on centre console switch module

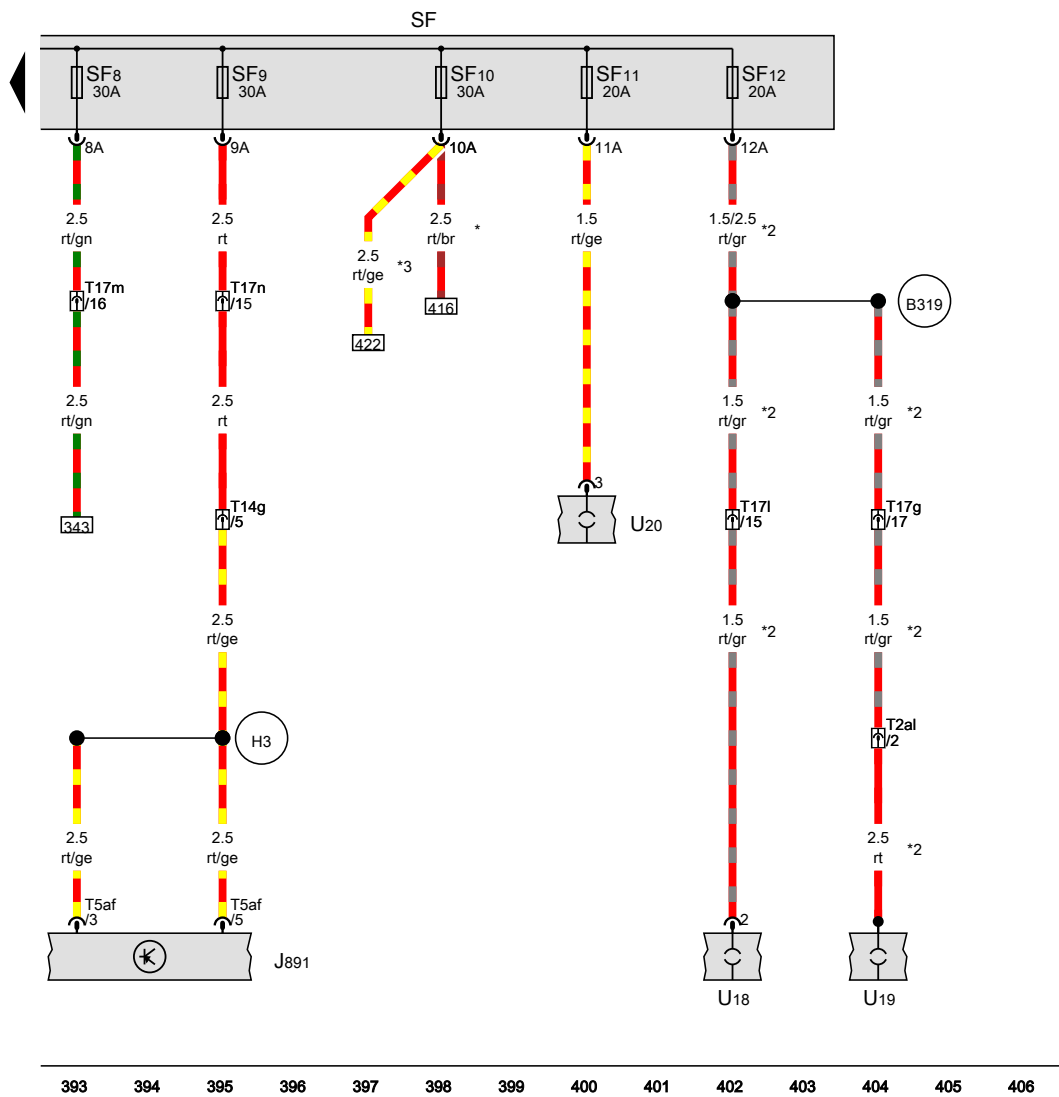
B539 Connection 30, in main wiring harness

* For models with 12 V socket

- ws = white
- sw = black
- ro = red
- rt = red
- br = brown
- gn = green
- bl = blue
- gr = grey
- li = purple
- vi = purple
- ge = yellow
- or = orange
- rs = pink

Fuse 8 in fuse holder F, Fuse 9 in fuse holder F, Fuse 10 in fuse holder F, Fuse 11 in fuse holder F, Fuse 12 in fuse holder F

- J891 Control unit for reducing agent heater
- SF Fuse holder F
- SF8 Fuse 8 in fuse holder F
- SF9 Fuse 9 in fuse holder F
- SF10 Fuse 10 in fuse holder F
- SF11 Fuse 11 in fuse holder F
- SF12 Fuse 12 in fuse holder F
- T2al 2-pin connector, black, Interface for rear left socket, on wheel housing
- T5af 5-pin connector, colourless
- T14g 14-pin connector, grey, rear
- T17g 17-pin connector, black
- T17l 17-pin connector, brown, behind dash panel
- T17m 17-pin connector, brown, near handbrake lever
- T17n 17-pin connector, green, near handbrake lever
- U18 12 V socket 2, in centre of dash panel, in storage compartment
- U19 12 V socket 3, on left wheel housing
- U20 12 V socket 4



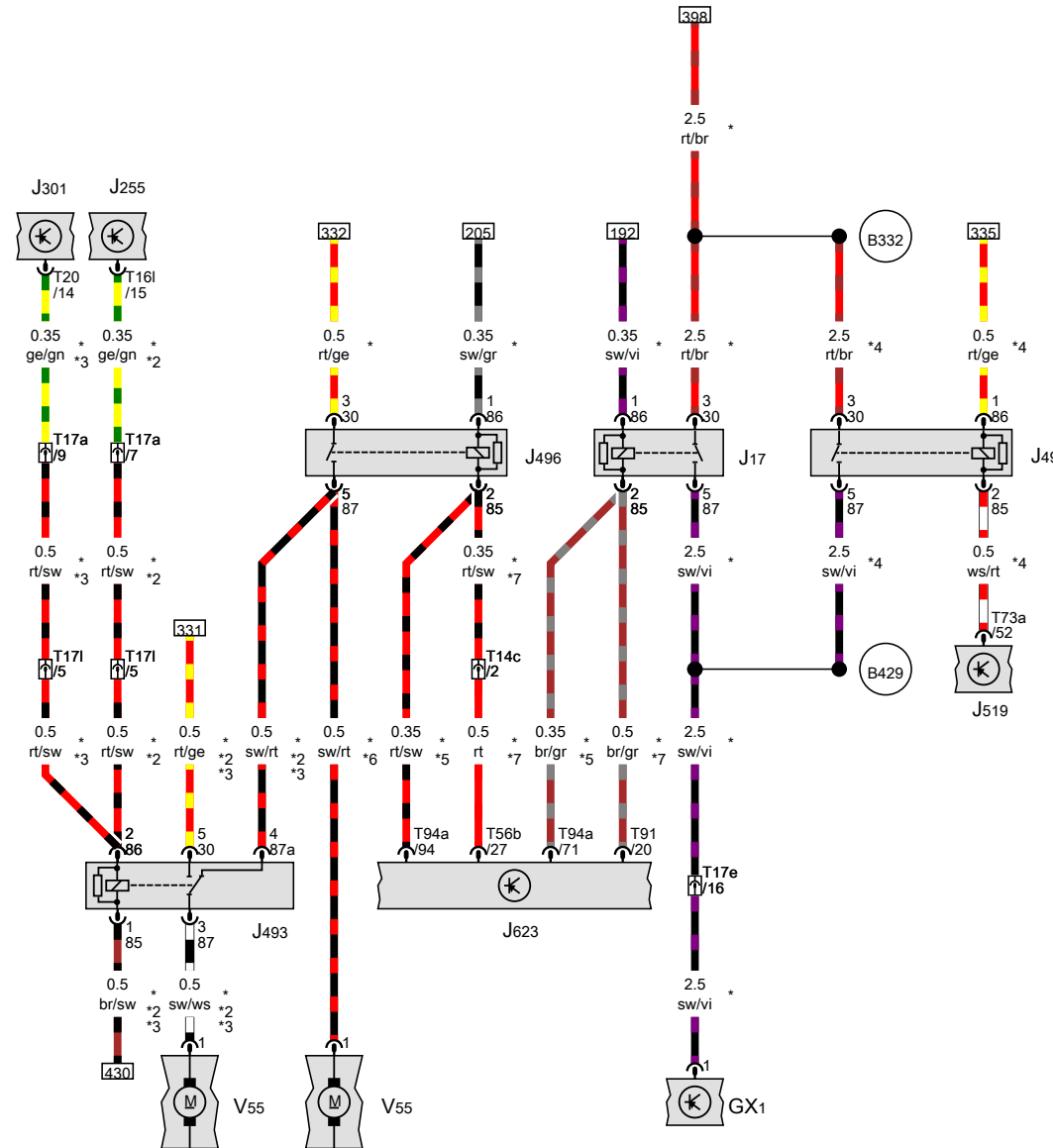
- B319** Positive connection 5 (30a) in main wiring harness
- H3** Connection 1 in wiring harness for reducing agent tank
- * For models with diesel engine
- *2 For models with 12 V socket
- *3 For models with petrol engine

- ws = white
- sw = black
- ro = red
- rt = red
- br = brown
- gn = green
- bl = blue
- gr = grey
- li = purple
- vi = purple
- ge = yellow
- or = orange
- rs = pink

393 394 395 396 397 398 399 400 401 402 403 404 405 406

[S60-055300219]

Fuel pump relay, Electric fuel pump 2 relay, Auxiliary coolant heater relay, Additional coolant pump relay, Onboard supply control unit, Engine/motor control unit



- GX1 Fuel delivery unit
- J17 Fuel pump relay
- J49 Electric fuel pump 2 relay
- J255 Climatronic control unit, in centre of dash panel
- J301 Air conditioning system control unit
- J493 Auxiliary coolant heater relay
- J496 Additional coolant pump relay
- J519 Onboard supply control unit
- J623 Engine/motor control unit
- T14c 14-pin connector, grey, near battery
- T161 16-pin connector, black
- T17a 17-pin connector, black
- T17e 17-pin connector, red, near handbrake lever
- T171 17-pin connector, brown, behind dash panel
- T20 20-pin connector, black
- T56b 56-pin connector, black
- T73a 73-pin connector, black
- T91 91-pin connector, black
- T94a 94-pin connector, black
- V55 Circulation pump

B332 Positive connection 18 (30a) in main wiring harness

B429 Connection (EFPR), in main wiring harness

- * For models with diesel engine
- *2 For models with Climatronic
- *3 For models with Climatic
- *4 Only models with auxiliary coolant heater
- *5 For models with 2.0l engine
- *6 For models with no air conditioning system/Climatronic
- *7 For models with 3.0l engine

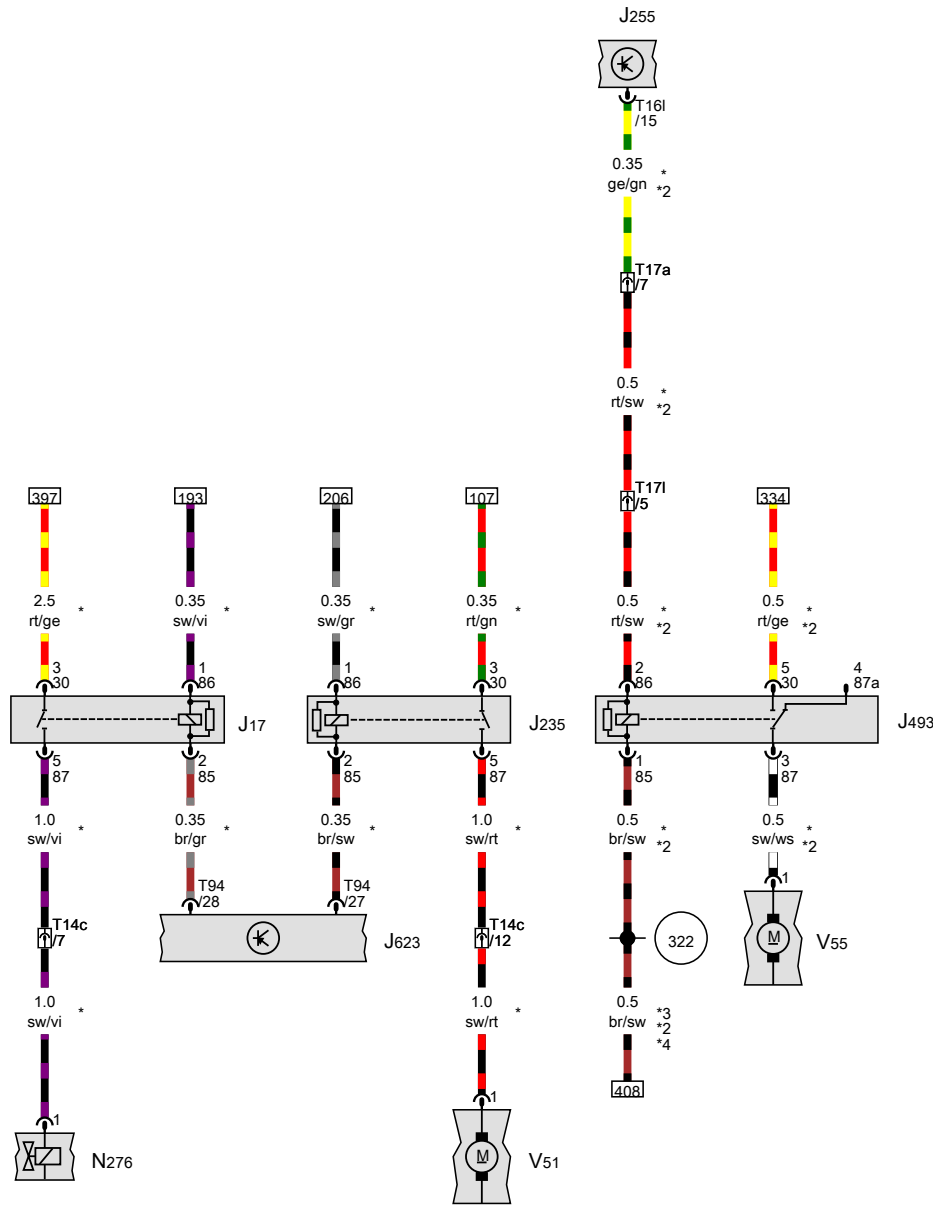
- ws = white
- sw = black
- ro = red
- rt = red
- br = brown
- gn = green
- bl = blue
- gr = grey
- li = purple
- vi = purple
- ge = yellow
- or = orange
- rs = pink

407 408 409 410 411 412 413 414 415 416 417 418 419 420

TS60-0553102191

Fuel pump relay, Coolant pump relay, Auxiliary coolant heater relay, Continued coolant circulation pump

- J17 Fuel pump relay
- J235 Coolant pump relay
- J255 Climatronic control unit, in centre of dash panel
- J493 Auxiliary coolant heater relay
- J623 Engine/motor control unit
- N276 Fuel pressure regulating valve
- T14c 14-pin connector, grey, near battery
- T16l 16-pin connector, black
- T17a 17-pin connector, black
- T17l 17-pin connector, brown, behind dash panel
- T94 94-pin connector, black
- V51 Continued coolant circulation pump
- V55 Circulation pump
- 322 Earth connection (screening 3, TV), in communication wiring harness
- * For models with petrol engine
- *2 For models with Climatronic
- *3 For models with diesel engine
- *4 For models with Climatic



- ws = white
- sw = black
- ro = red
- rt = red
- br = brown
- gn = green
- bl = blue
- gr = grey
- li = purple
- vi = purple
- ge = yellow
- or = orange
- rs = pink

421 422 423 424 425 426 427 428 429 430 431 432 433 434

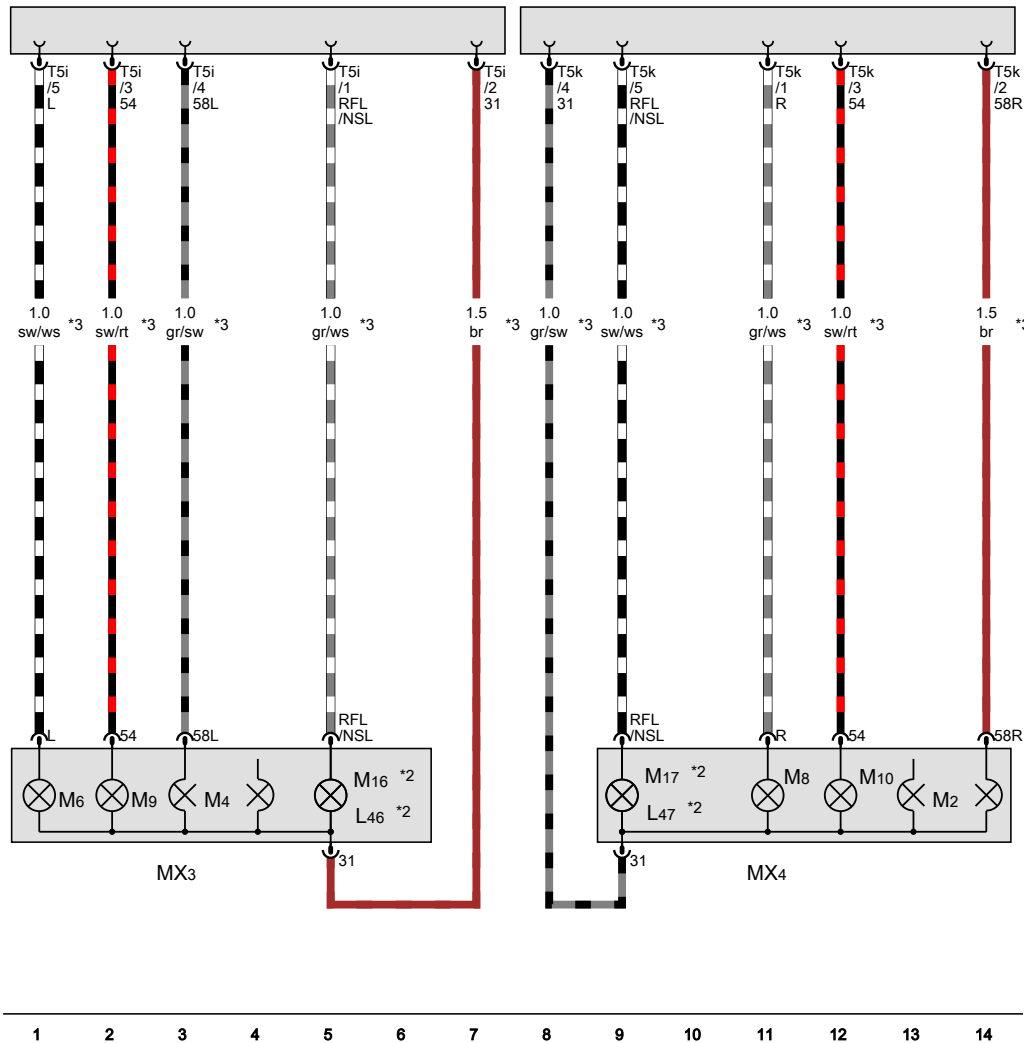
[S60-055320219]

Tail light clusters , (5HA)

From July 2017

Left tail light cluster, Right tail light cluster

- L46 Rear left fog light bulb
- L47 Rear right fog light bulb
- M2 Right tail light bulb
- MX3 Left tail light cluster
- MX4 Right tail light cluster
- M4 Left tail light bulb
- M6 Rear left turn signal bulb
- M8 Rear right turn signal bulb
- M9 Left brake light bulb
- M10 Right brake light bulb
- M16 Left reversing light bulb
- M17 Right reversing light bulb
- T5i 5-pin connector, black
- T5k 5-pin connector, black
- * see applicable current flow diagram for exterior lighting
- *2 According to equipment
- *3 Adapter wire



- ws = white
- sw = black
- ro = red
- rt = red
- br = brown
- gn = green
- bl = blue
- gr = grey
- li = purple
- vi = purple
- ge = yellow
- or = orange
- rs = pink

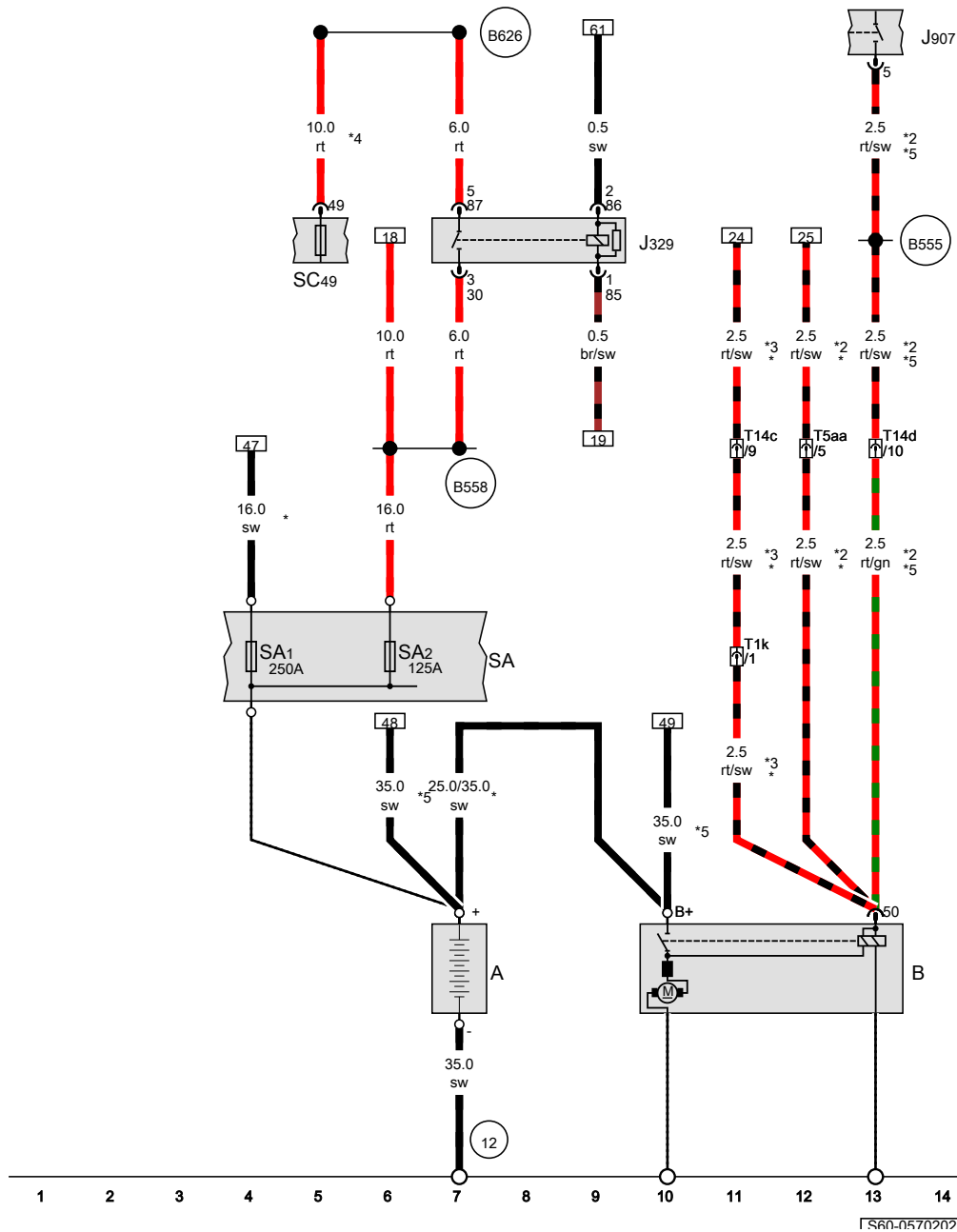
1 2 3 4 5 6 7 8 9 10 11 12 13 14

1560-056021018

Basic equipment

From January 2018

Battery, Starter, Terminal 15 voltage supply relay, Fuse holder A

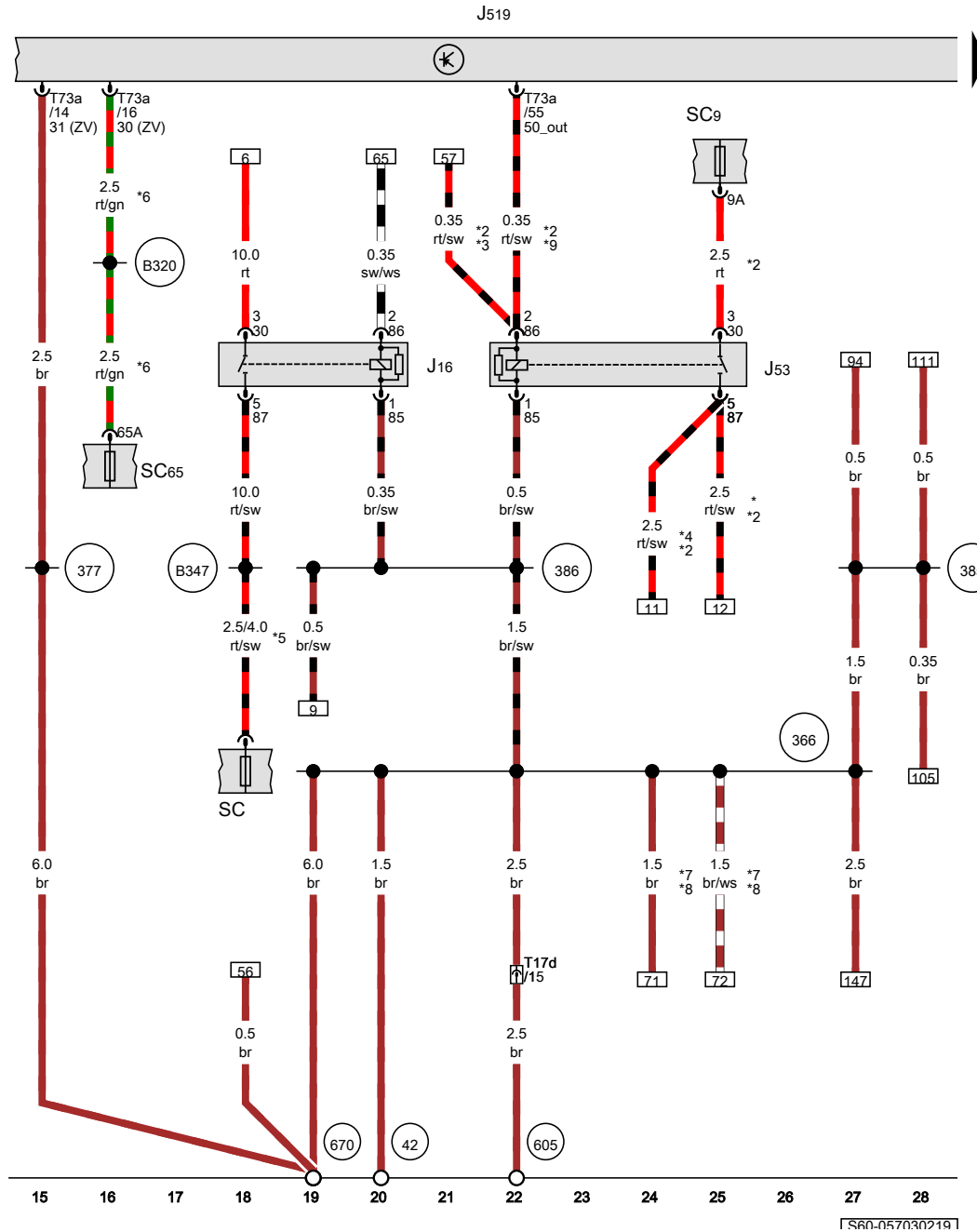


- A Battery
- B Starter
- J329 Terminal 15 voltage supply relay
- J907 Starter relay 2
- SA Fuse holder A
- SA1 Fuse 1 on fuse holder A
- SA2 Fuse 2 on fuse holder A
- SC49 Fuse 49 on fuse holder C
- T1k 1-pin connector, black, near starter
- T5aa 5-pin connector, black, near battery
- T14c 14-pin connector, grey, near battery
- T14d 14-pin connector, black, near battery

- 12 Earth point, on left in engine compartment
- B555 Positive connection 2 (50), in main wiring harness
- B558 Positive connection 22 (30a) in main wiring harness
- B626 Positive connection 2 (15), in main wiring harness
- * For models with 2.0l engine
- *2 For models with diesel engine
- *3 For models with petrol engine
- *4 see applicable current flow diagram for fuse assignment
- *5 For models with 3.0l engine

- ws = white
- sw = black
- ro = red
- rt = red
- br = brown
- gn = green
- bl = blue
- gr = grey
- li = purple
- vi = purple
- ge = yellow
- or = orange
- rs = pink

1S60-057020219



Current supply relay, Starter motor relay

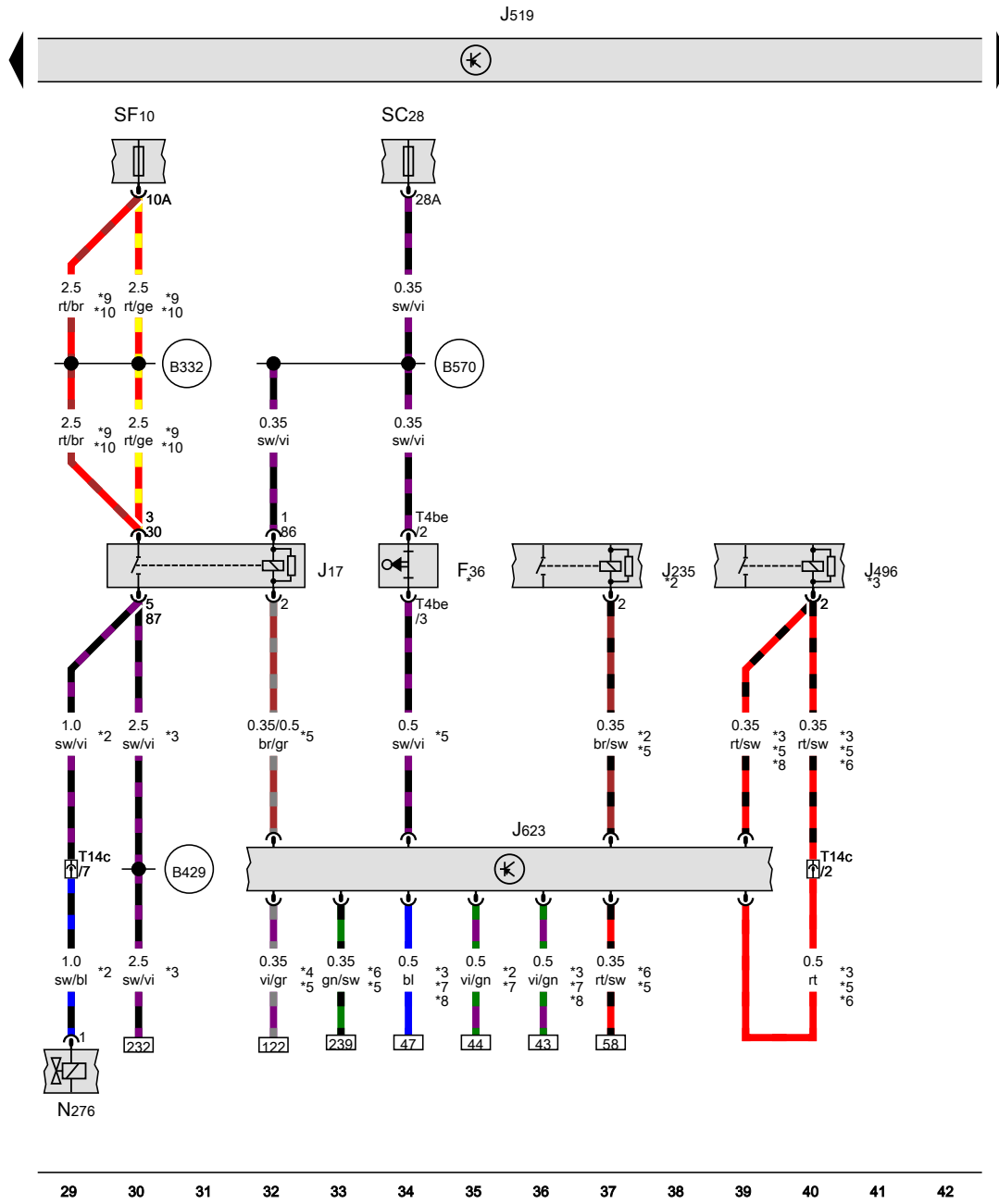
- J16 Current supply relay
- J53 Starter motor relay
- J519 Onboard supply control unit
- SC Fuse holder C
- SC9 Fuse 9 on fuse holder C
- SC65 Fuse 65 on fuse holder C
- T17d 17-pin connector, green, behind dash panel
- T73a 73-pin connector, black

- 42 Earth point, next to steering column
- 366 Earth connection 1, in main wiring harness
- 377 Earth connection 12, in main wiring harness
- 385 Earth connection 20, in main wiring harness
- 386 Earth connection 21, in main wiring harness
- 605 Earth point, on top end of steering column
- 670 Earth point 2, left A-pillar
- B320 Positive connection 6 (30a) in main wiring harness
- B347 Connection 2 (75), in main wiring harness

- * For models with diesel engine
- *2 For models with 2.0l engine
- *3 For models with manual gearbox
- *4 For models with petrol engine
- *5 see applicable current flow diagram for fuse assignment
- *6 For models with central locking
- *7 Wiring colour depends on equipment
- *8 see applicable current flow diagram for earthing concept
- *9 For models with automatic gearbox

- ws = white
- sw = black
- ro = red
- rt = red
- br = brown
- gn = green
- bl = blue
- gr = grey
- li = purple
- vi = purple
- ge = yellow
- or = orange
- rs = pink

1 S60-057030219

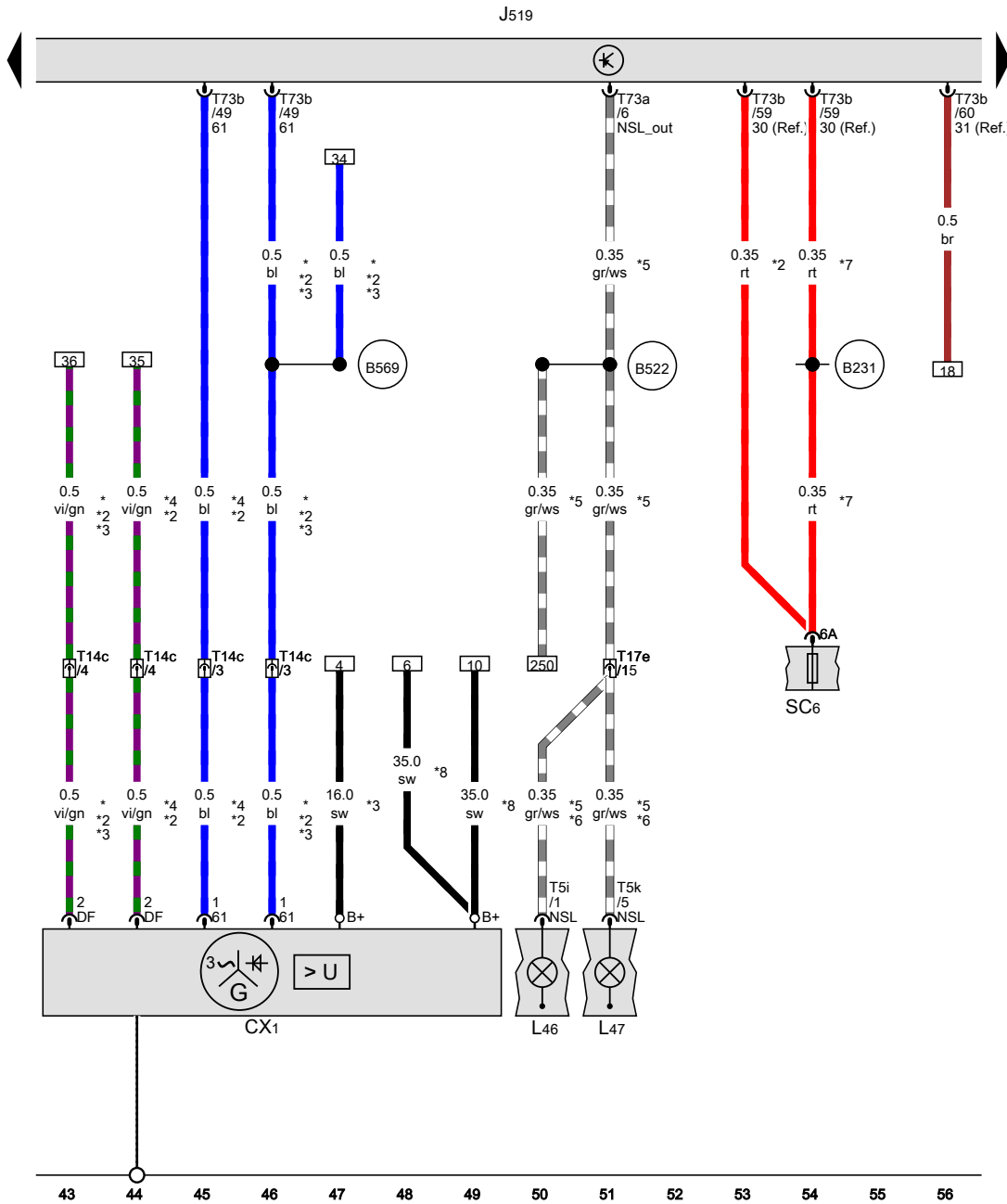


Clutch pedal switch, Fuel pump relay, Coolant pump relay, Additional coolant pump relay, Engine/motor control unit

- F36 Clutch pedal switch
- J17 Fuel pump relay
- J235 Coolant pump relay
- J496 Additional coolant pump relay
- J519 Onboard supply control unit
- J623 Engine/motor control unit
- N276 Fuel pressure regulating valve
- SF10 Fuse 10 in fuse holder F
- SC28 Fuse 28 on fuse holder C
- T4be 4-pin connector, black
- T14c 14-pin connector, grey, near battery
- B332 Positive connection 18 (30a) in main wiring harness
- B429 Connection (EFPR), in main wiring harness
- B570 Connection 37, in main wiring harness
- * For models with manual gearbox
- *2 For models with petrol engine
- *3 For models with diesel engine
- *4 For models with cruise control system (CCS)
- *5 see applicable current flow diagram for engine
- *6 For models with 3.0l engine
- *7 For models with no start/stop system
- *8 For models with 2.0l engine
- *9 Wiring colour depends on equipment
- *10 see applicable current flow diagram for fuse assignment

- ws = white
- sw = black
- ro = red
- rt = red
- br = brown
- gn = green
- bl = blue
- gr = grey
- li = purple
- vi = purple
- ge = yellow
- or = orange
- rs = pink

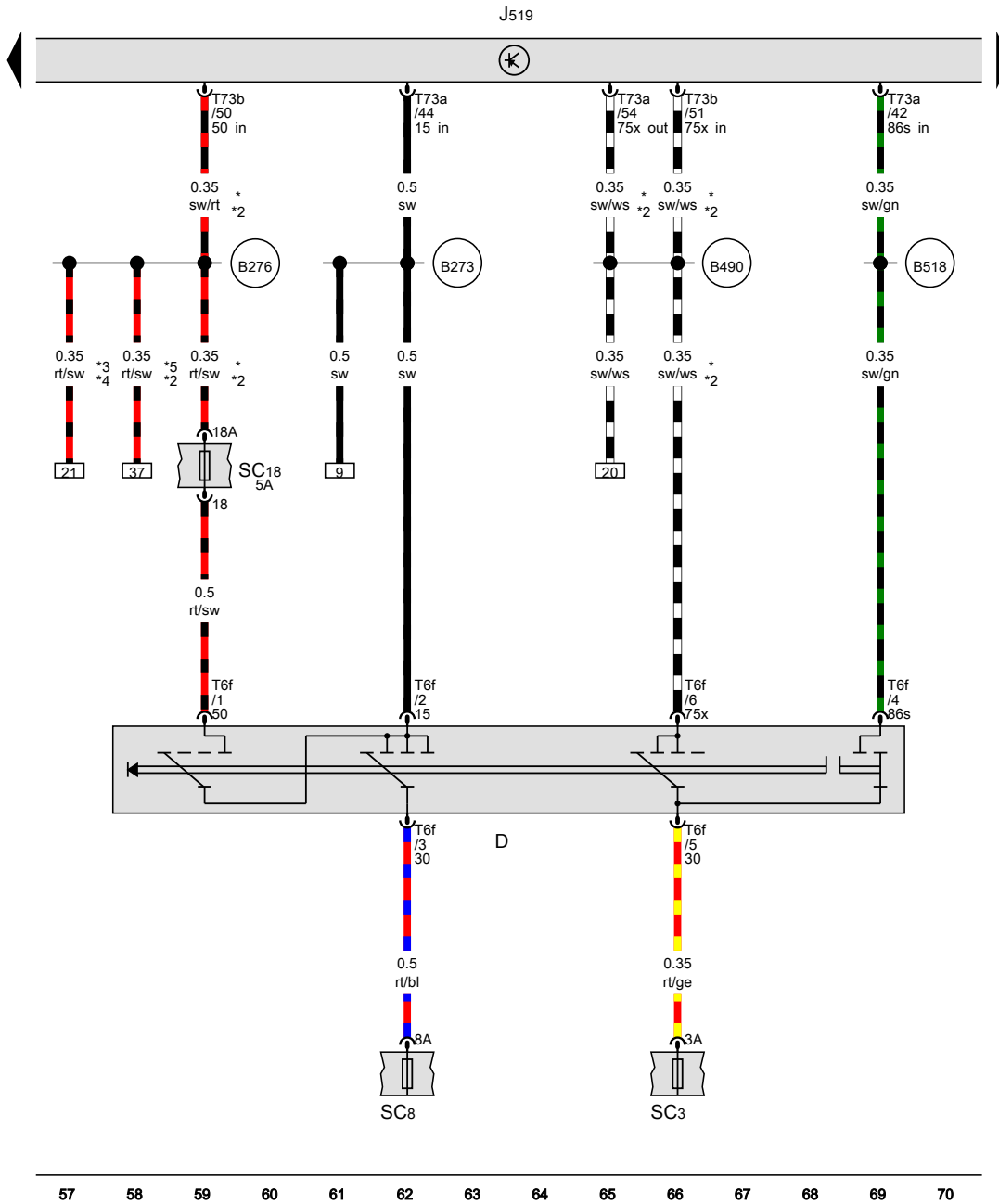
Alternator with voltage regulator, Fuse 6 on fuse holder C



- CX1 Alternator with voltage regulator
- J519 Onboard supply control unit
- L46 Rear left fog light bulb
- L47 Rear right fog light bulb
- SC6 Fuse 6 on fuse holder C
- T5i 5-pin connector, black
- T5k 5-pin connector, black
- T14c 14-pin connector, grey, near battery
- T17e 17-pin connector, red, near handbrake lever
- T73a 73-pin connector, black
- T73b 73-pin connector, colourless
- (B231) Positive connection 5 (30a), in interior wiring harness
- (B522) Connection (FL), in main wiring harness
- (B569) Connection 36, in main wiring harness
- * For models with diesel engine
- *2 For models with no start/stop system
- *3 For models with 2.0l engine
- *4 For models with petrol engine
- *5 For models with rear fog light
- *6 see applicable current flow diagram for exterior lighting
- *7 For models with start/stop system
- *8 For models with 3.0l engine

- ws = white
- sw = black
- ro = red
- rt = red
- br = brown
- gn = green
- bl = blue
- gr = grey
- li = purple
- vi = purple
- ge = yellow
- or = orange
- rs = pink

[S60-057050219]



Ignition/starter switch, Fuse 3 on fuse holder C, Fuse 8 on fuse holder C

- D Ignition/starter switch
- J519 Onboard supply control unit
- SC3 Fuse 3 on fuse holder C
- SC8 Fuse 8 on fuse holder C
- SC18 Fuse 18 on fuse holder C
- T6f 6-pin connector, black
- T73a 73-pin connector, black
- T73b 73-pin connector, colourless

- B273 Positive connection (15), in main wiring harness
- B276 Positive connection (50), in main wiring harness
- B490 Connection 26, in main wiring harness
- B518 Connection (86s), in main wiring harness

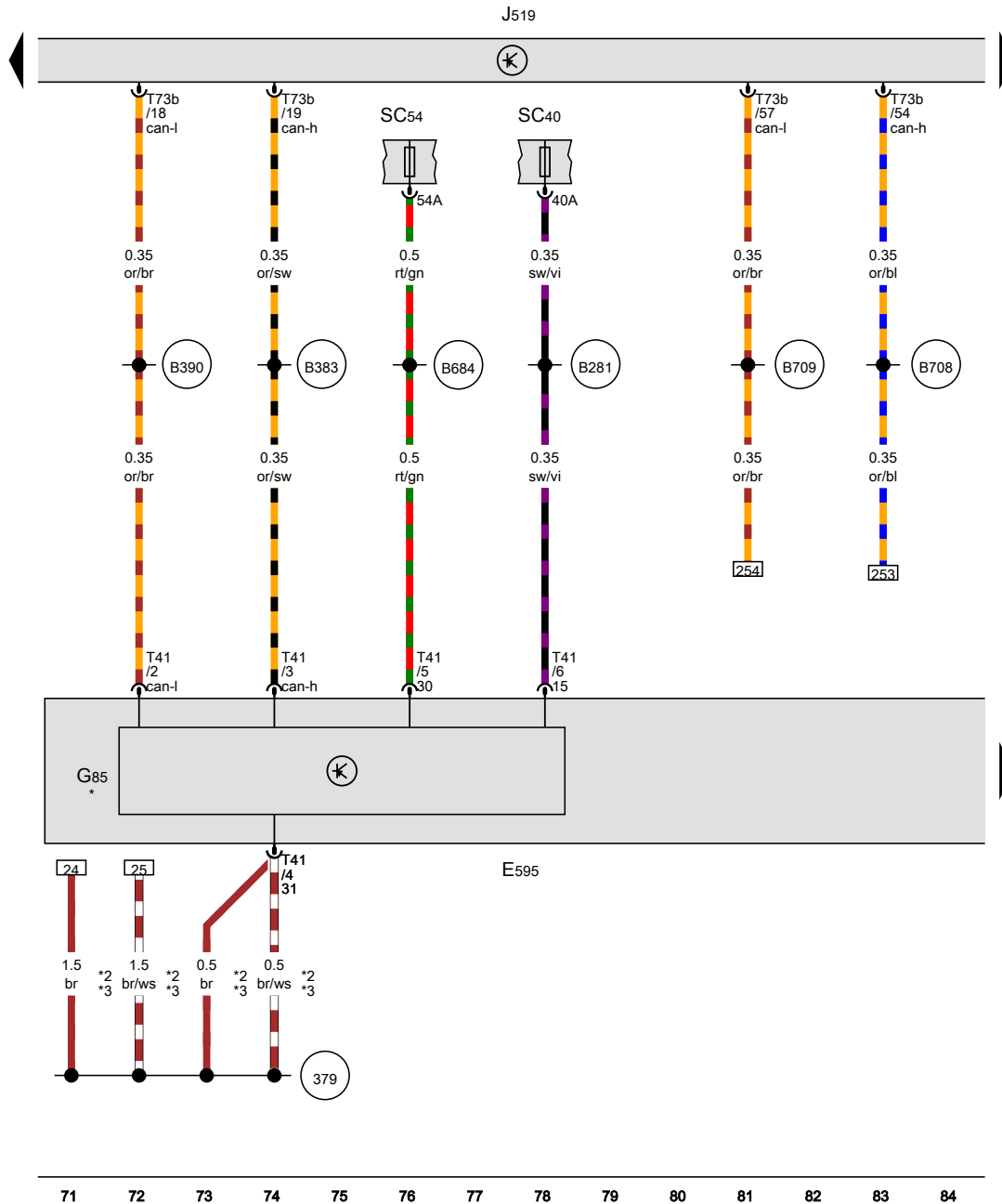
- * According to equipment see applicable current flow diagram for engine
- *2 For models with 2.0l engine
- *3 For models with manual gearbox
- *4 For models with 3.0l engine
- *5 For models with 3.0l engine

- ws = white
- sw = black
- ro = red
- rt = red
- br = brown
- gn = green
- bl = blue
- gr = grey
- li = purple
- vi = purple
- ge = yellow
- or = orange
- rs = pink

57 58 59 60 61 62 63 64 65 66 67 68 69 70

[S60-057060219]

Steering column combination switch, Steering angle sender



- E595 Steering column combination switch
- G85 Steering angle sender
- J519 Onboard supply control unit
- SC40 Fuse 40 on fuse holder C
- SC54 Fuse 54 on fuse holder C
- T41 41-pin connector, grey
- T73b 73-pin connector, colourless

- (379) Earth connection 14, in main wiring harness
- (B281) Positive connection 5 (15a) in main wiring harness
- (B383) Connection 1 (powertrain CAN bus, high), in main wiring harness
- (B390) Connection 1 (powertrain CAN bus, low), in main wiring harness
- (B684) Positive connection 24 (30a) in main wiring harness
- (B708) Connection 1 (dash panel insert CAN bus high) in main wiring harness
- (B709) Connection 1 (dash panel insert CAN bus low) in main wiring harness

* For models with anti-lock brake system (ABS) and electronic stabilisation program (ESP)

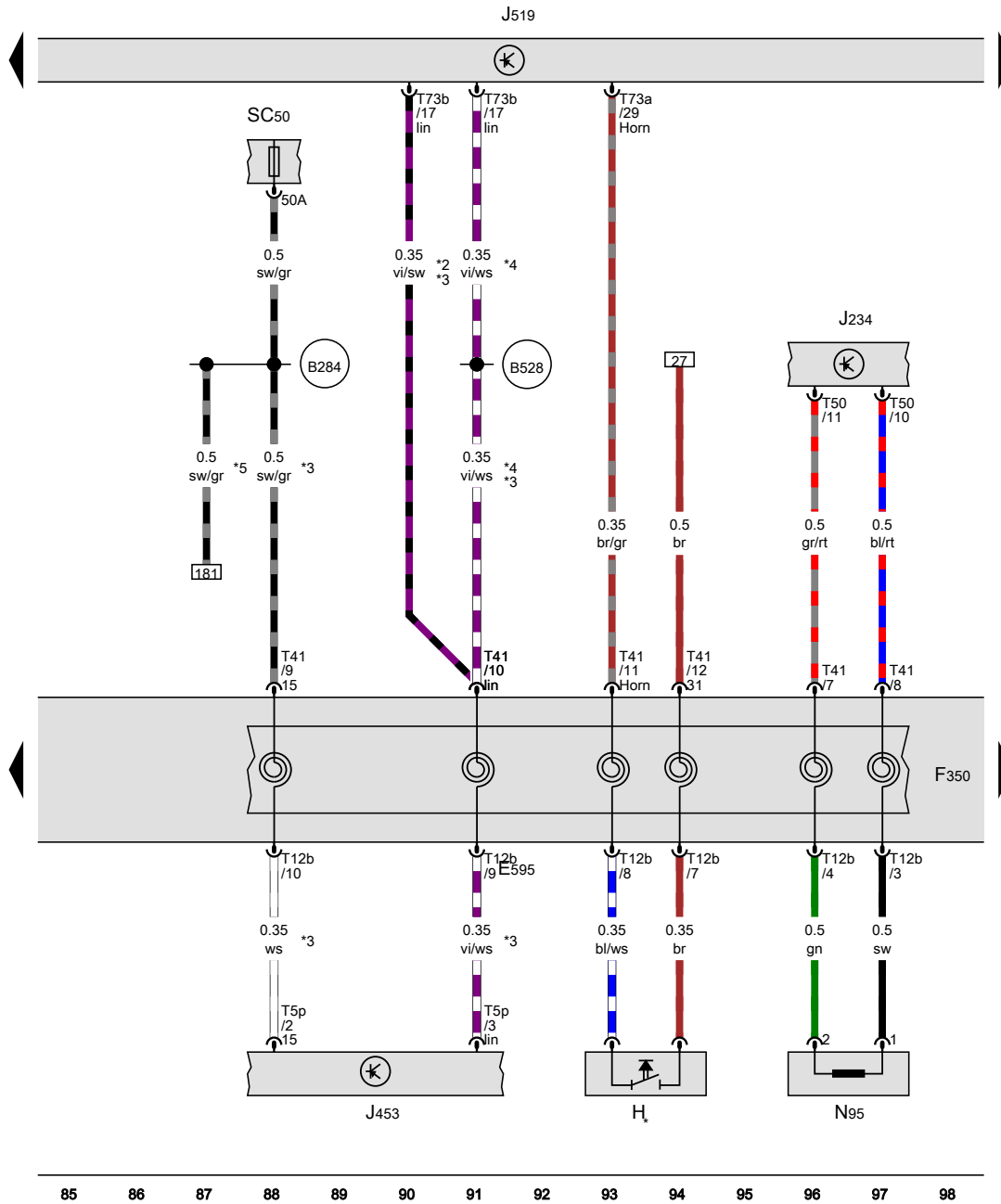
*2 Wiring colour depends on equipment

*3 see applicable current flow diagram for earthing concept

- ws = white
- sw = black
- ro = red
- rt = red
- br = brown
- gn = green
- bl = blue
- gr = grey
- li = purple
- vi = purple
- ge = yellow
- or = orange
- rs = pink

71 72 73 74 75 76 77 78 79 80 81 82 83 84

[S60-057070219]



Steering column combination switch, Coil connector, Horn plate, Airbag control unit, Multifunction steering wheel control unit

- E595 Steering column combination switch
- F350 Coil connector, on steering wheel
- H Horn plate
- J234 Airbag control unit
- J453 Multifunction steering wheel control unit
- J519 Onboard supply control unit
- N95 Airbag igniter on driver side
- SC50 Fuse 50 on fuse holder C
- T5p 5-pin connector, black
- T12b 12-pin connector, yellow
- T41 41-pin connector, grey
- T50 50-pin connector, yellow
- T73a 73-pin connector, black
- T73b 73-pin connector, colourless

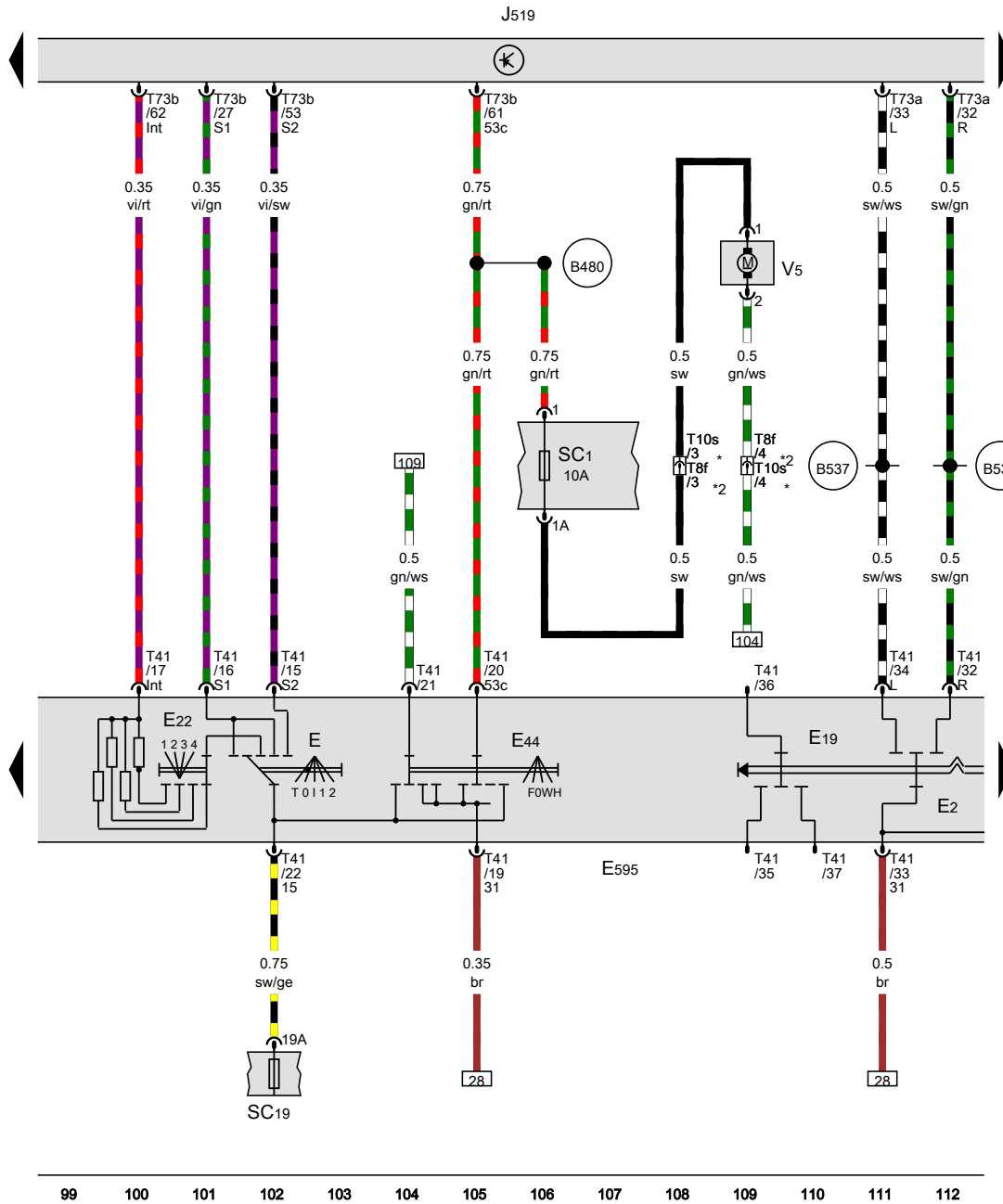
(B284) Positive connection 8 (15a) in main wiring harness

(B528) Connection 1 (LIN bus) in main wiring harness

- * For models with no multifunction steering wheel
- *2 For models with no electric window regulators
- *3 For models with multifunction steering wheel
- *4 For models with electric window regulators
- *5 For models with manual gearbox

- ws = white
- sw = black
- ro = red
- rt = red
- br = brown
- gn = green
- bl = blue
- gr = grey
- li = purple
- vi = purple
- ge = yellow
- or = orange
- rs = pink

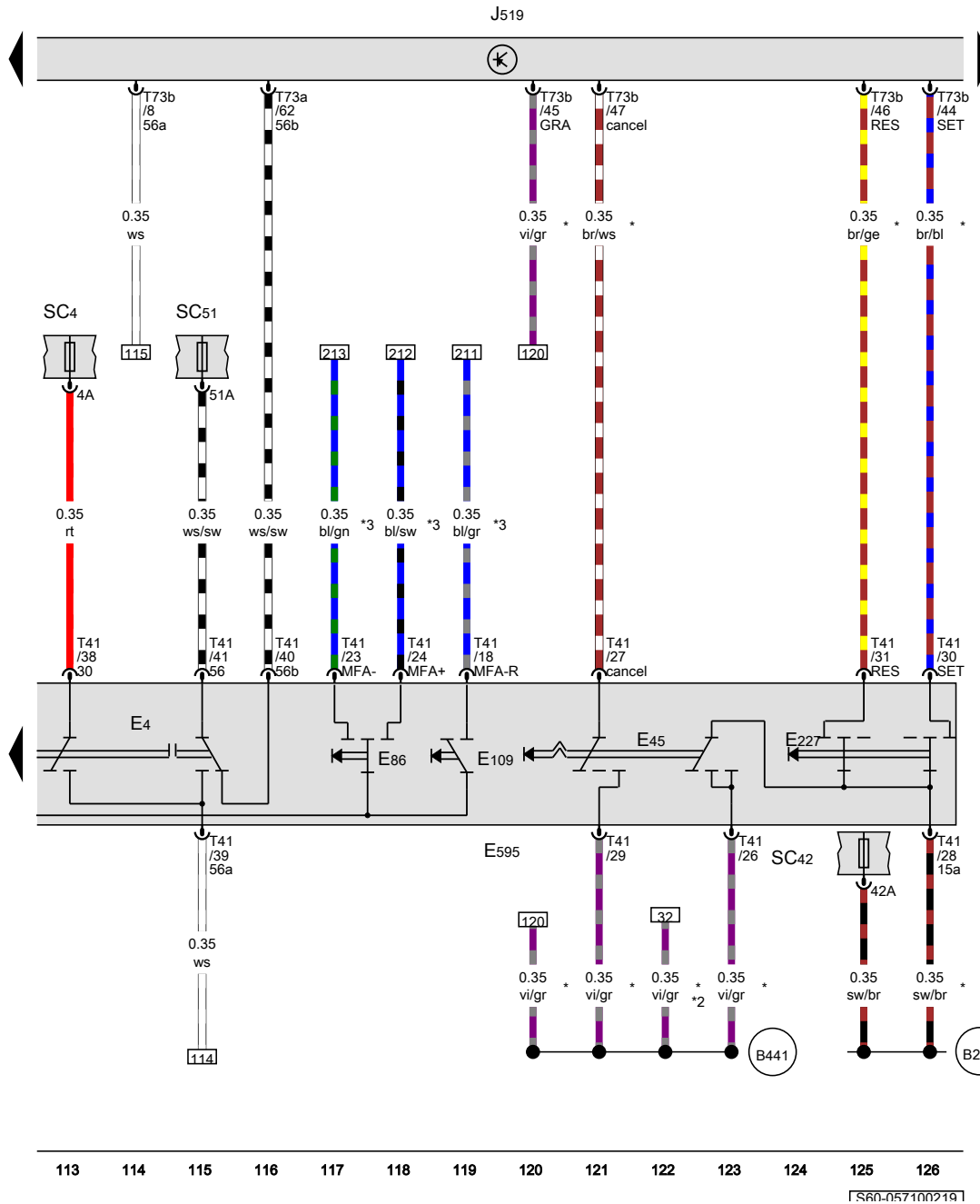
TS60-057080219



Windscreen wiper switch, Turn signal switch, Washer pump switch (automatic wash/wipe and headlight washer system), Steering column combination switch, Washer pump

- E Windscreen wiper switch
 - E2 Turn signal switch
 - E19 Parking light switch
 - E22 Intermittent wiper switch
 - E44 Washer pump switch (automatic wash/wipe and headlight washer system)
 - E595 Steering column combination switch
 - J519 Onboard supply control unit
 - SC1 Fuse 1 on fuse holder C
 - SC19 Fuse 19 on fuse holder C
 - T8f 8-pin connector, black, in rear right of engine compartment
 - T10s 10-pin connector, black, in rear right of engine compartment
 - T41 41-pin connector, grey
 - T73a 73-pin connector, black
 - T73b 73-pin connector, colourless
 - V5 Washer pump
- B480 Connection 16, in main wiring harness
B537 Connection 28, in main wiring harness
B538 Connection 29, in main wiring harness
- * For models with provision for side member lighting
 *2 For models with no provision for side member lighting

- ws = white
- sw = black
- ro = red
- rt = red
- br = brown
- gn = green
- bl = blue
- gr = grey
- li = purple
- vi = purple
- ge = yellow
- or = orange
- rs = pink



Headlight dipper and flasher switch, Cruise control system switch, Multifunction display call-up button, Multifunction display memory switch, Steering column combination switch

- E4 Headlight dipper and flasher switch
- E45 Cruise control system switch
- E86 Multifunction display call-up button
- E109 Multifunction display memory switch
- E227 Cruise control system (CCS) SET button
- E595 Steering column combination switch
- J519 Onboard supply control unit
- SC4 Fuse 4 on fuse holder C
- SC42 Fuse 42 on fuse holder C
- SC51 Fuse 51 on fuse holder C
- T41 41-pin connector, grey
- T73a 73-pin connector, black
- T73b 73-pin connector, colourless

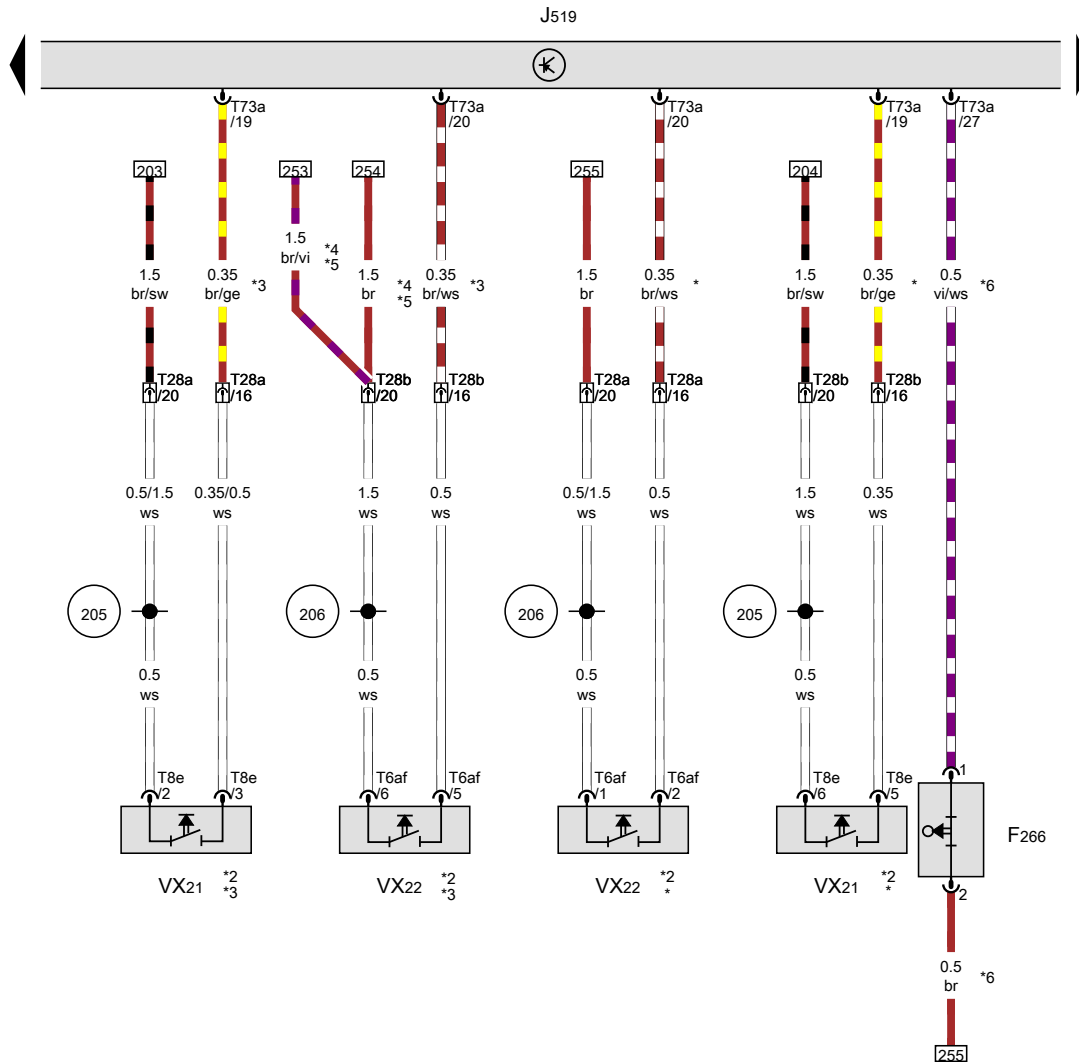
B283 Positive connection 7 (15a) in main wiring harness

B441 Connection (CCS), in main wiring harness

- * For models with cruise control system (CCS)
- *2 see applicable current flow diagram for engine
- *3 For models with multifunction display

- ws = white
- sw = black
- ro = red
- rt = red
- br = brown
- gn = green
- bl = blue
- gr = grey
- li = purple
- vi = purple
- ge = yellow
- or = orange
- rs = pink

Bonnet contact switch, Front passenger door lock unit

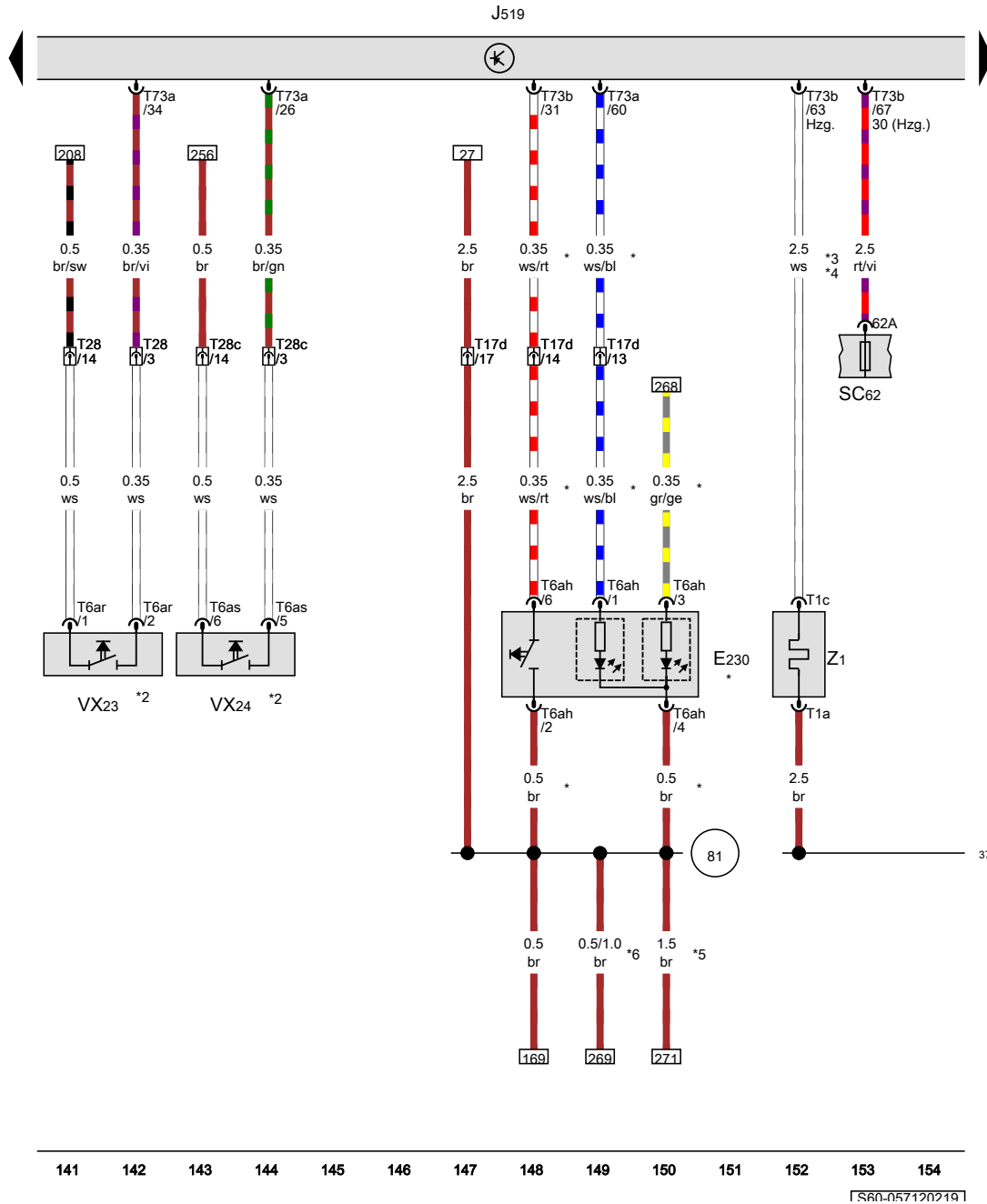


- F266 Bonnet contact switch
- J519 Onboard supply control unit
- T6af 6-pin connector, black
- T8e 8-pin connector, black
- T28a 28-pin connector, black, on left A-pillar
- T28b 28-pin connector, black, on right A-pillar
- T73a 73-pin connector, black
- VX21 Driver door lock unit
- VX22 Front passenger door lock unit

- 205 Earth connection, in driver door wiring harness
- 206 Earth connection, in front passenger door wiring harness

- * For right-hand drive models
- *2 For models with no central locking
- *3 For left-hand drive models
- *4 Wiring colour depends on equipment
- *5 see applicable current flow diagram for earthing concept
- *6 According to equipment

- ws = white
- sw = black
- ro = red
- rt = red
- br = brown
- gn = green
- bl = blue
- gr = grey
- li = purple
- vi = purple
- ge = yellow
- or = orange
- rs = pink



Heated rear window button, Rear left door lock unit, Rear right door lock unit, Heated rear window

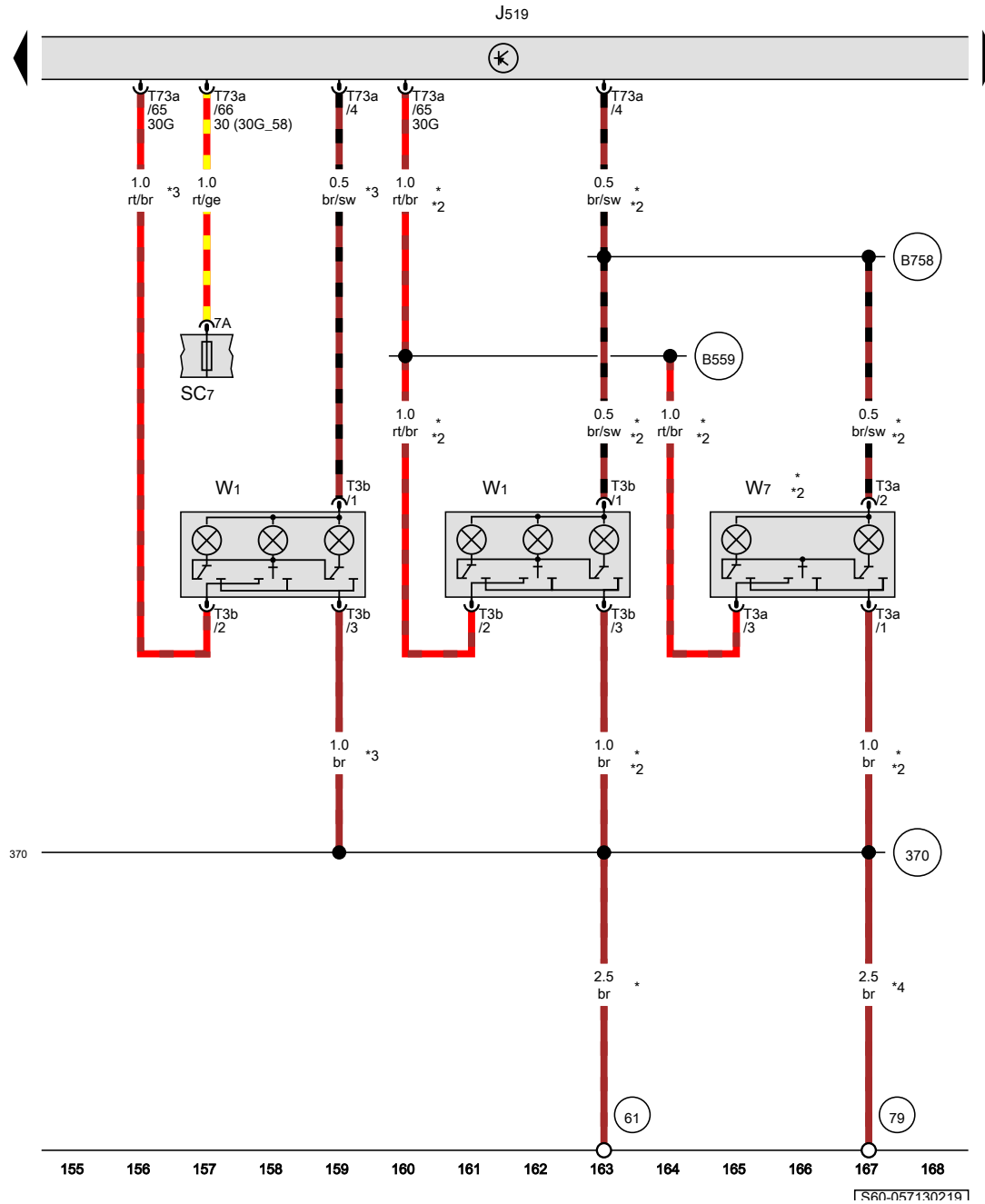
- E230 Heated rear window button
- J519 Onboard supply control unit
- SC62 Fuse 62 on fuse holder C
- T1a 1-pin connector, black
- T1c 1-pin connector, black
- T6ah 6-pin connector, near radio
- T6ar 6-pin connector, black
- T6as 6-pin connector, black
- T17d 17-pin connector, green, behind dash panel
- T28 28-pin connector, black, on left B-pillar
- T28c 28-pin connector, black, on right B-pillar
- T73a 73-pin connector, black
- T73b 73-pin connector, colourless
- VX23 Rear left door lock unit
- VX24 Rear right door lock unit
- Z1 Heated rear window

81 Earth connection 1, in dash panel wiring harness

370 Earth connection 5, in main wiring harness

- * For models with no air conditioning system/Climatronic
- *2 For models with no central locking
- *3 For models with no hardtop
- *4 see applicable current flow diagram for hardtop
- *5 For models with 12 V socket
- *6 For models with Highline equipment

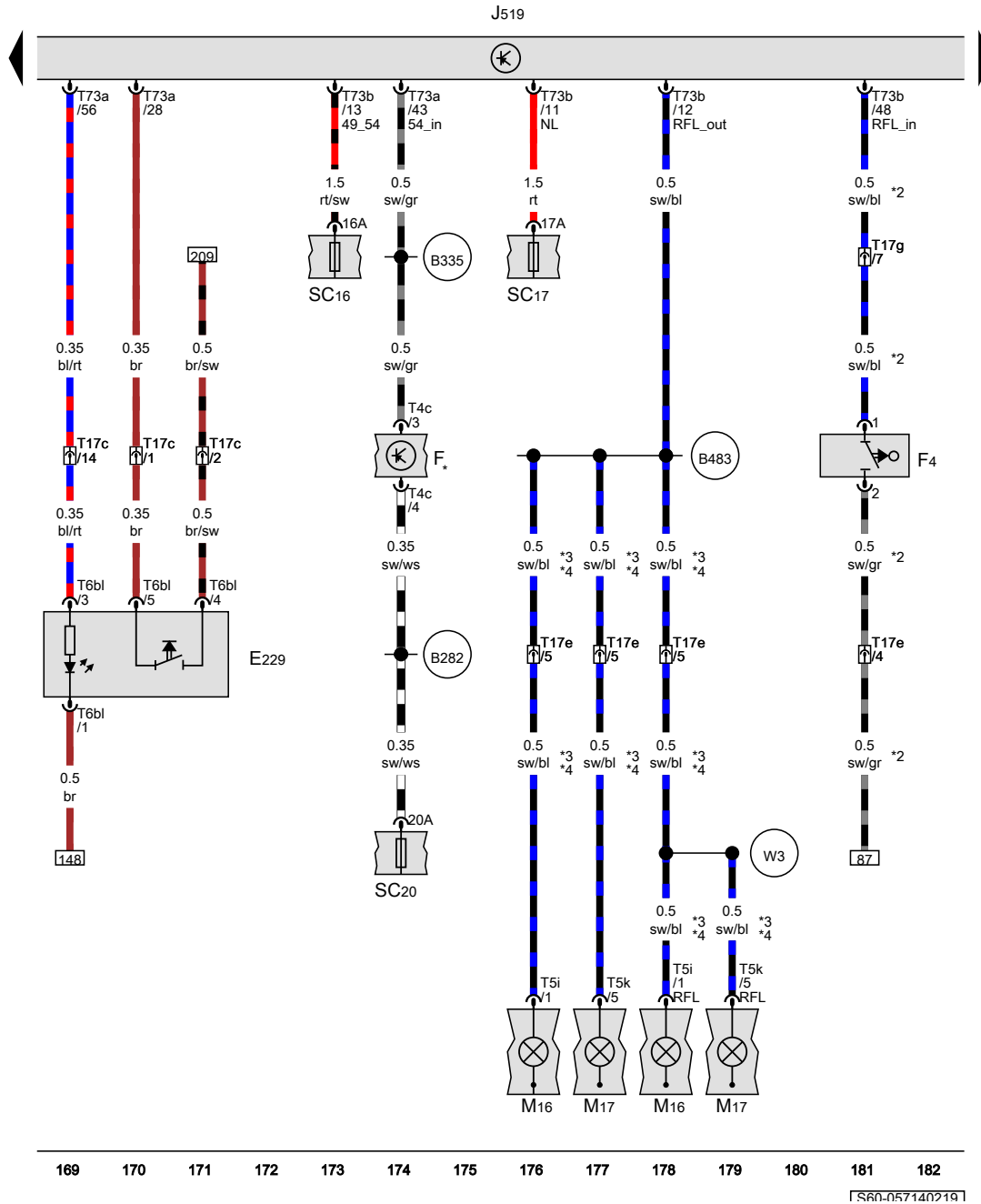
- ws = white
- sw = black
- ro = red
- rt = red
- br = brown
- gn = green
- bl = blue
- gr = grey
- li = purple
- vi = purple
- ge = yellow
- or = orange
- rs = pink



Front interior light, Centre interior light

- J519 Onboard supply control unit
- SC7 Fuse 7 on fuse holder C
- T3a 3-pin connector, black
- T3b 3-pin connector, black
- T73a 73-pin connector, black
- W1 Front interior light
- W7 Centre interior light
- 61 Earth point, left C-pillar
- 79 Earth point on left B-pillar
- 370 Earth connection 5, in main wiring harness
- B559 Positive connection 1 (30g), in main wiring harness
- B758 Connection 1 (Dct), in main wiring harness
- * For models with double cab
- *2 For models with Highline equipment
- *3 For models with basic equipment
- *4 For models with single cab

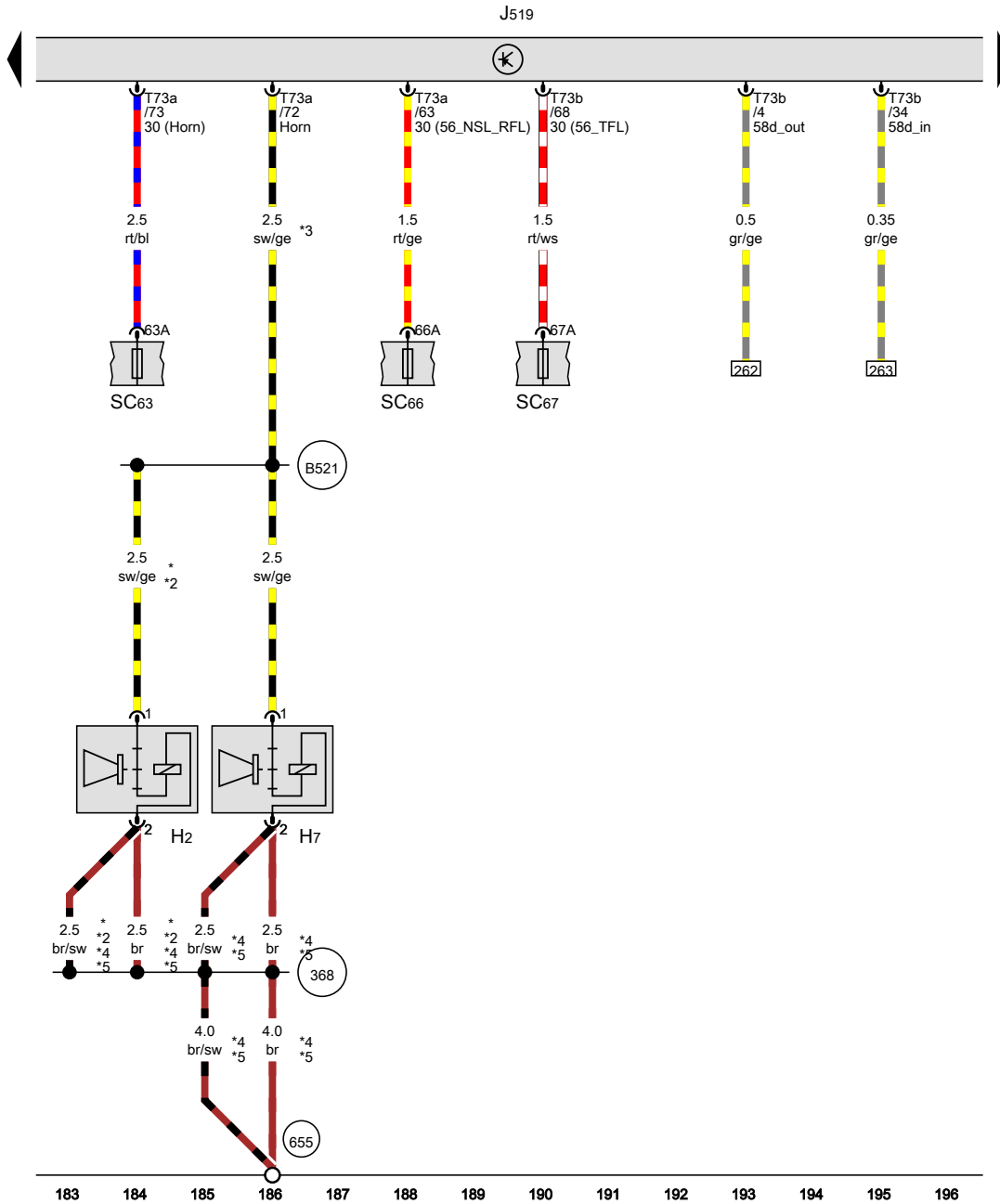
- ws = white
- sw = black
- ro = red
- rt = red
- br = brown
- gn = green
- bl = blue
- gr = grey
- li = purple
- vi = purple
- ge = yellow
- or = orange
- rs = pink



Hazard warning lights button, Brake light switch, Reversing light switch

- E229 Hazard warning lights button
- F Brake light switch
- F4 Reversing light switch
- J519 Onboard supply control unit
- M16 Left reversing light bulb
- M17 Right reversing light bulb
- SC16 Fuse 16 on fuse holder C
- SC17 Fuse 17 on fuse holder C
- SC20 Fuse 20 on fuse holder C
- T4c 4-pin connector, black
- T5i 5-pin connector, black
- T5k 5-pin connector, black
- T6bl 6-pin connector, black, near radio
- T17c 17-pin connector, white, on left under dash panel
- T17e 17-pin connector, red, near handbrake lever
- T17g 17-pin connector, black, near handbrake lever
- T73a 73-pin connector, black
- T73b 73-pin connector, colourless
- B282 Positive connection 6 (15a) in main wiring harness
- B335 Connection 1 (54), in main wiring harness
- B483 Connection 19, in main wiring harness
- W3 Connection in rear wiring harness
- * see applicable current flow diagram for engine
- *2 For models with manual gearbox
- *3 According to equipment
- *4 see applicable current flow diagram for exterior lighting

- ws = white
- sw = black
- ro = red
- rt = red
- br = brown
- gn = green
- bl = blue
- gr = grey
- li = purple
- vi = purple
- ge = yellow
- or = orange
- rs = pink



Treble horn

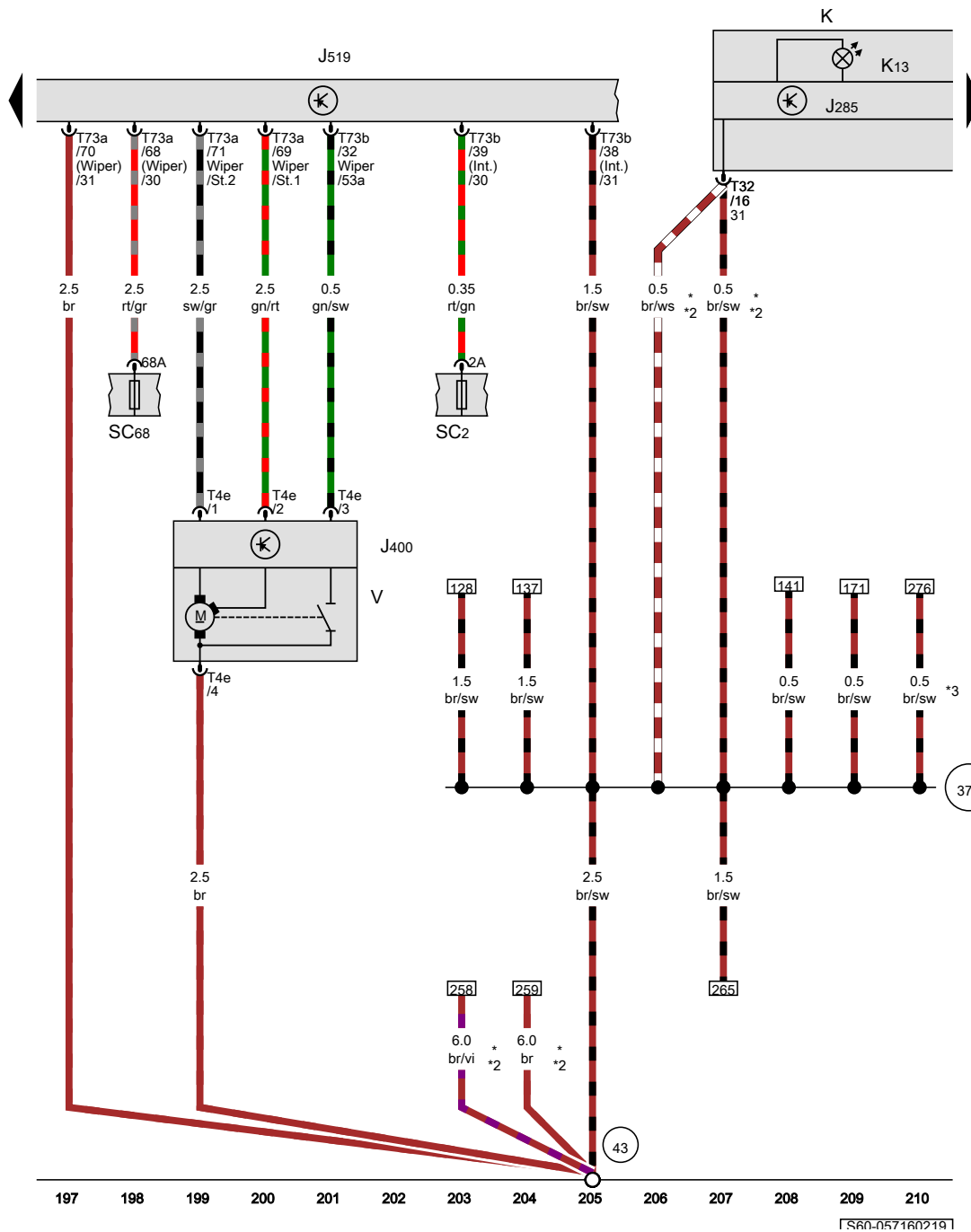
- H2 Treble horn
- H7 Bass horn
- J519 Onboard supply control unit
- SC63 Fuse 63 on fuse holder C
- SC66 Fuse 66 on fuse holder C
- SC67 Fuse 67 on fuse holder C
- T73a 73-pin connector, black
- T73b 73-pin connector, colourless

- 368 Earth connection 3, in main wiring harness
- 655 Earth point, on left headlight
- B521 Connection (dual tone horn), in main wiring harness

- * For models with Highline equipment
- *2 For models with Trendline equipment
- *3 For models with no anti-theft alarm system
- *4 Wiring colour depends on equipment
- *5 see applicable current flow diagram for earthing concept

- ws = white
- sw = black
- ro = red
- rt = red
- br = brown
- gn = green
- bl = blue
- gr = grey
- li = purple
- vi = purple
- ge = yellow
- or = orange
- rs = pink

[S60-057150219]



Dash panel insert, Windscreen wiper motor

- J285 Control unit in dash panel insert
- J400 Wiper motor control unit
- J519 Onboard supply control unit
- K Dash panel insert
- K13 Rear fog light warning lamp
- SC2 Fuse 2 on fuse holder C
- SC68 Fuse 68 on fuse holder C
- T4e 4-pin connector, black
- T32 32-pin connector, blue
- T73a 73-pin connector, black
- T73b 73-pin connector, colourless
- V Windscreen wiper motor

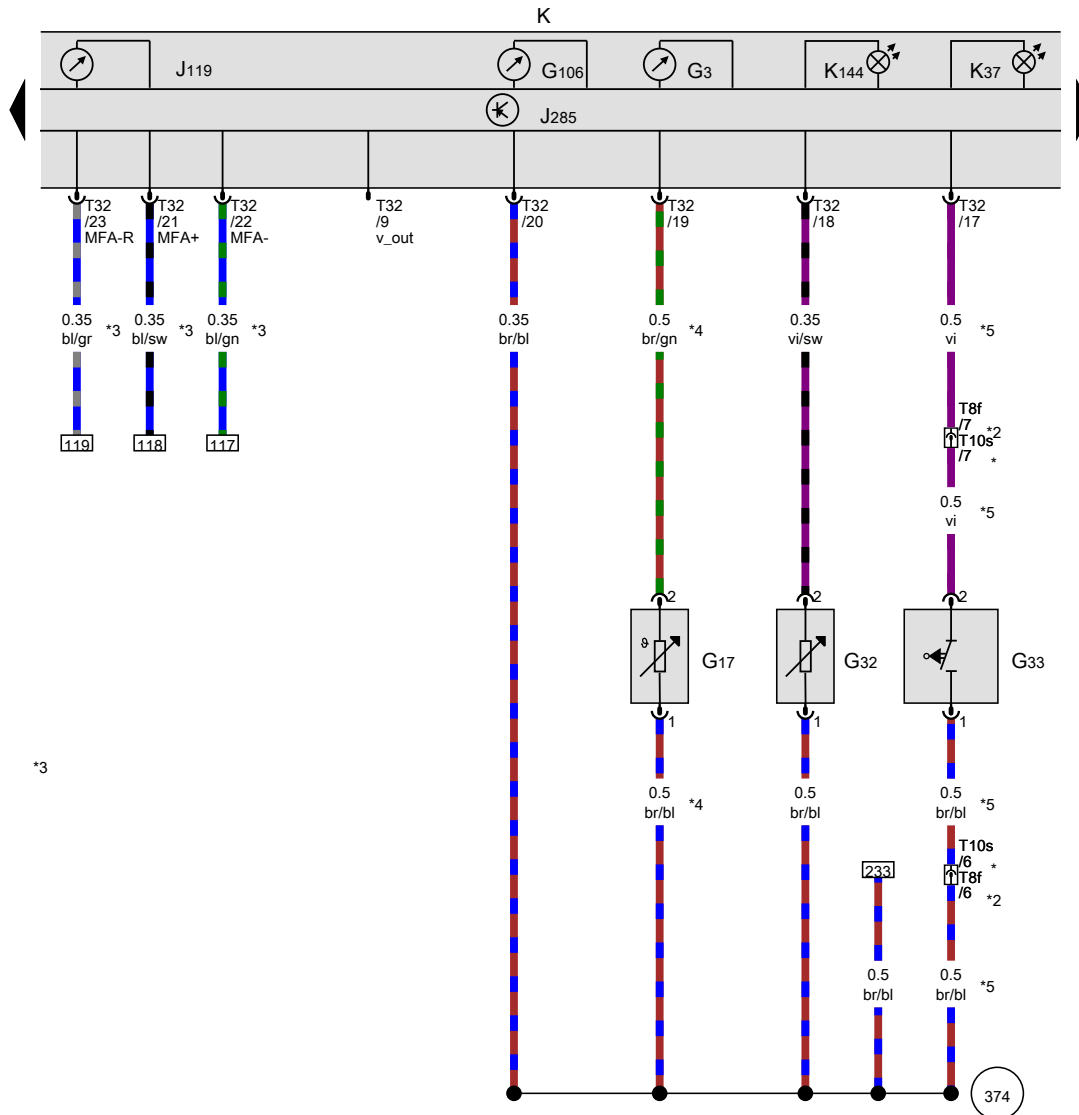
43 Earth point, lower part of right A-pillar

372 Earth connection 7, in main wiring harness

- * Wiring colour depends on equipment
- *2 see applicable current flow diagram for earthing concept
- *3 For models with heated washer jets

- ws = white
- sw = black
- ro = red
- rt = red
- br = brown
- gn = green
- bl = blue
- gr = grey
- li = purple
- vi = purple
- ge = yellow
- or = orange
- rs = pink

[S60-057160219]



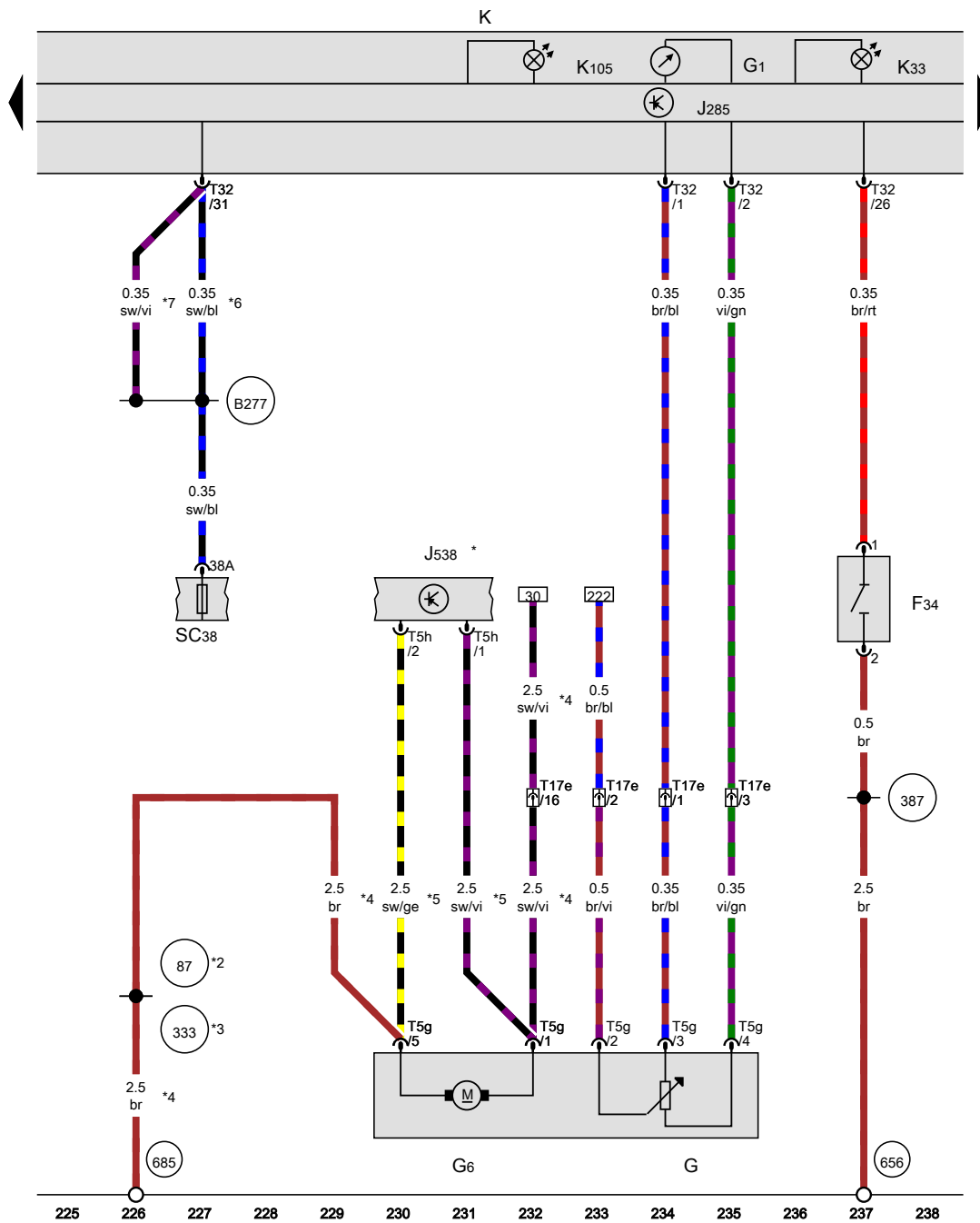
Coolant temperature gauge, Ambient temperature sensor, Coolant shortage indicator sender, Windscreen washer fluid level sender, Ambient temperature indicator, Multifunction indicator, Dash panel insert, Washer fluid level warning lamp, Warning lamp for airbag deactivated on driver side

- G3 Coolant temperature gauge
- G17 Ambient temperature sensor
- G32 Coolant shortage indicator sender
- G33 Windscreen washer fluid level sender
- G106 Ambient temperature indicator
- J119 Multifunction indicator
- J285 Control unit in dash panel insert
- K Dash panel insert
- K37 Washer fluid level warning lamp
- K144 Warning lamp for airbag deactivated on driver side
- T8f 8-pin connector, black, in rear right of engine compartment
- T10s 10-pin connector, black, in rear right of engine compartment
- T32 32-pin connector, blue
- 374 Earth connection 9, in main wiring harness
- * For models with provision for side member lighting
- *2 For models with no provision for side member lighting
- *3 For models with multifunction display
- *4 According to equipment
- *5 For models with windscreen washer fluid level sender

*3

211 212 213 214 215 216 217 218 219 220 221 222 223 224

[S60-057170219]



Brake fluid level warning contact, Fuel gauge, Fuel system pressurisation pump, Fuel pump control unit, Dash panel insert, Brake fluid level warning lamp, Reserve fuel warning lamp

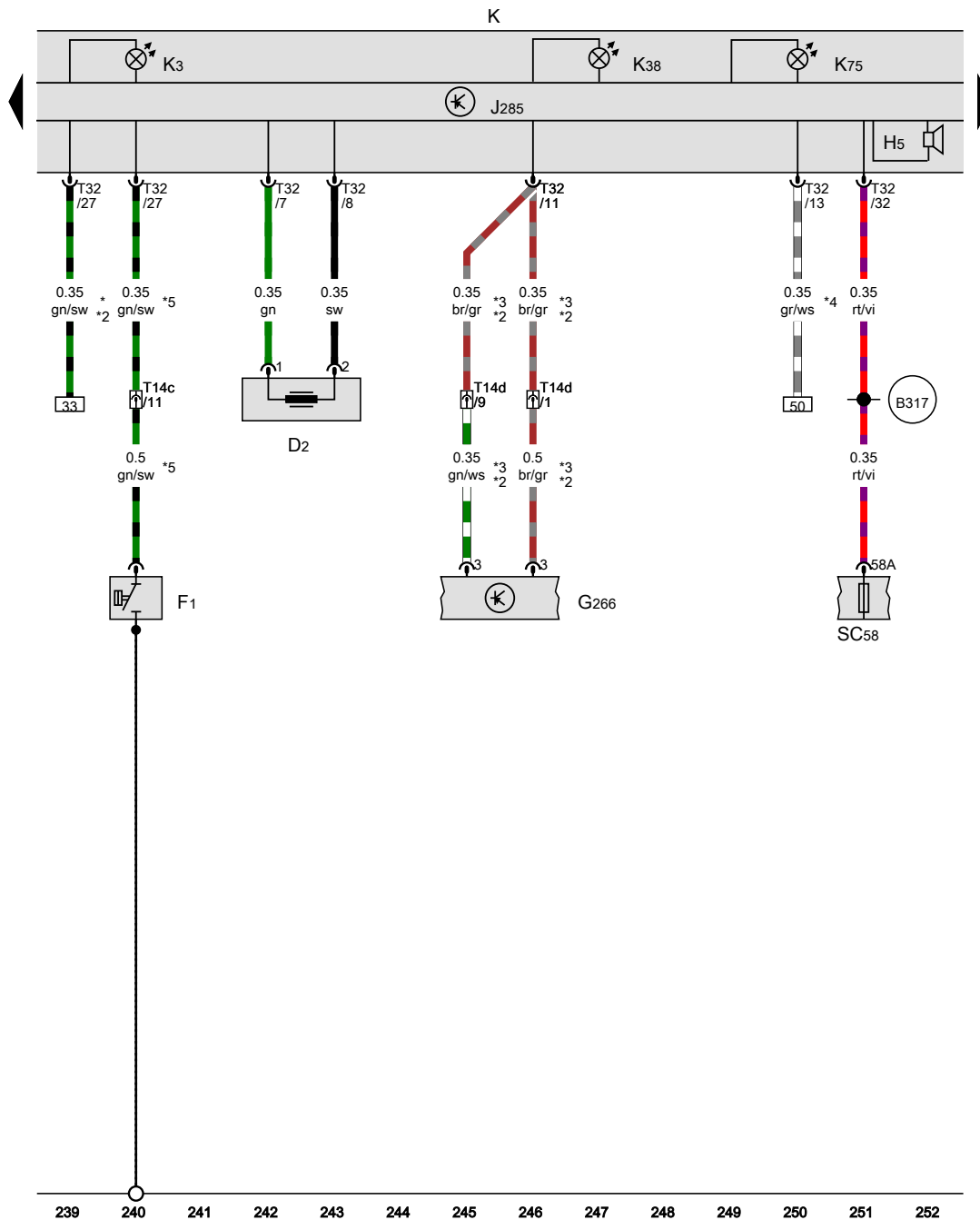
- F34 Brake fluid level warning contact
- G Fuel gauge sender
- G1 Fuel gauge
- G6 Fuel system pressurisation pump
- J285 Control unit in dash panel insert
- J538 Fuel pump control unit
- K Dash panel insert
- K33 Brake fluid level warning lamp
- K105 Reserve fuel warning lamp
- SC38 Fuse 38 on fuse holder C
- T5g 5-pin connector, black
- T5h 5-pin connector, black
- T17e 17-pin connector, red, near handbrake lever
- T32 32-pin connector, blue

- (87) Earth connection 2, in rear wiring harness
- (333) Earth connection 5, in rear wiring harness
- (387) Earth connection 22, in main wiring harness
- (656) Earth point, on right headlight, on right on bulkhead
- (685) Earth point 1, on front of right longitudinal member
- (B277) Positive connection 1 (15a) in main wiring harness

- * see applicable current flow diagram for engine
- *2 For models with 2.0l engine
- *3 For models with 3.0l engine
- *4 For models with diesel engine
- *5 For models with petrol engine
- *6 For left-hand drive models
- *7 For right-hand drive models

- ws = white
- sw = black
- ro = red
- rt = red
- br = brown
- gn = green
- bl = blue
- gr = grey
- li = purple
- vi = purple
- ge = yellow
- or = orange
- rs = pink

1560-057180219

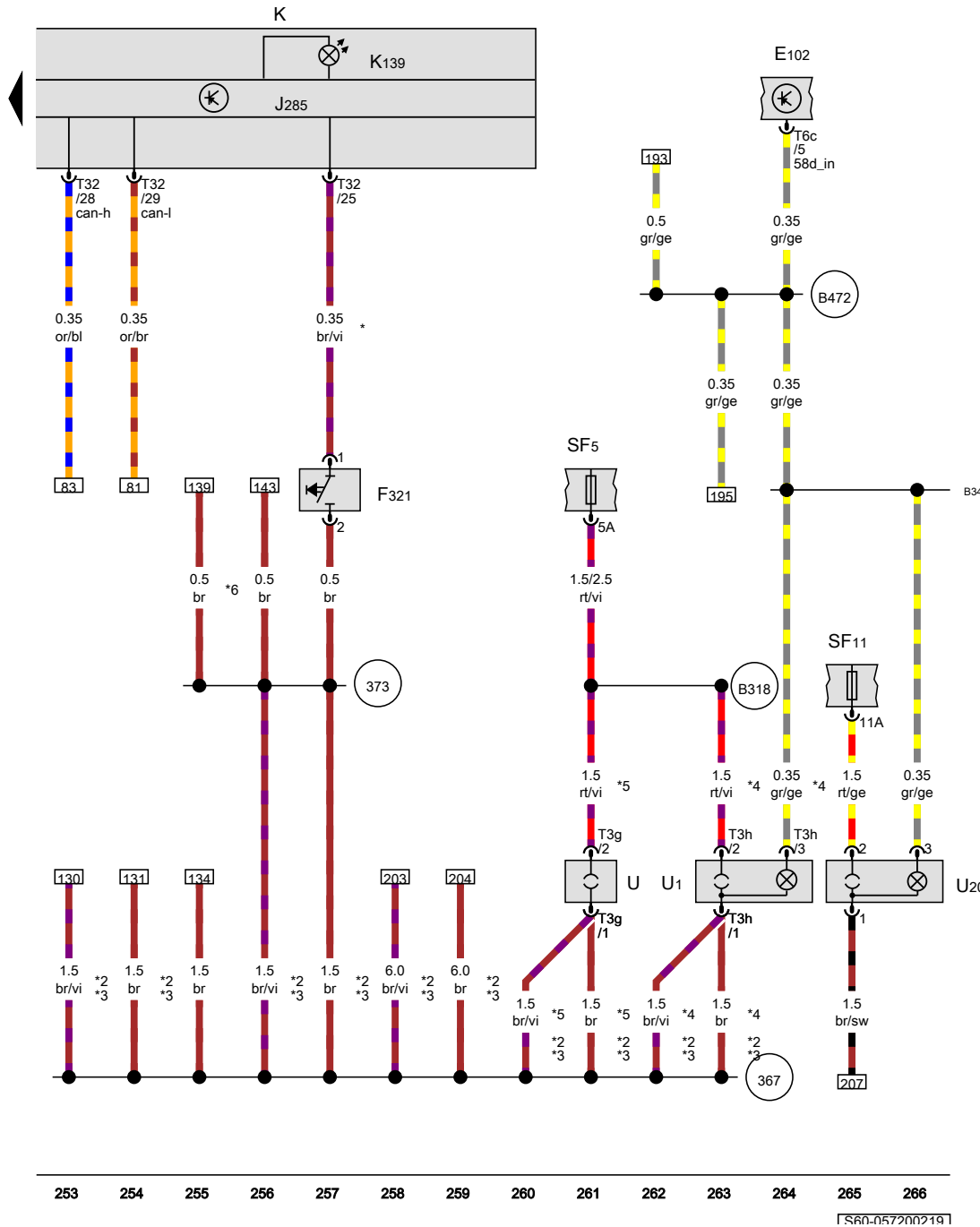


Immobiliser reader coil, Oil pressure switch, Oil level and oil temperature sender, Ignition and starter key warning system buzzer and gong, Dash panel insert, Oil pressure warning lamp, Oil level warning lamp

- D2 Immobiliser reader coil, on ignition/starter switch
- F1 Oil pressure switch
- G266 Oil level and oil temperature sender
- H5 Ignition and starter key warning system buzzer and gong
- J285 Control unit in dash panel insert
- K Dash panel insert
- K3 Oil pressure warning lamp
- K38 Oil level warning lamp
- K75 Airbag warning lamp
- SC58 Fuse 58 on fuse holder C
- T14c 14-pin connector, grey, near battery
- T14d 14-pin connector, black, near battery
- T32 32-pin connector, blue
- B317** Positive connection 3 (30a) in main wiring harness
- * For models with 3.0l engine
- *2 see applicable current flow diagram for engine
- *3 According to equipment
- *4 For models with rear fog light
- *5 For models with 2.0l engine

- ws = white
- sw = black
- ro = red
- rt = red
- br = brown
- gn = green
- bl = blue
- gr = grey
- li = purple
- vi = purple
- ge = yellow
- or = orange
- rs = pink

[S60-057190219]



Parking brake contact switch, Dash panel insert, Electric socket, Cigarette lighter, 12 V socket 4

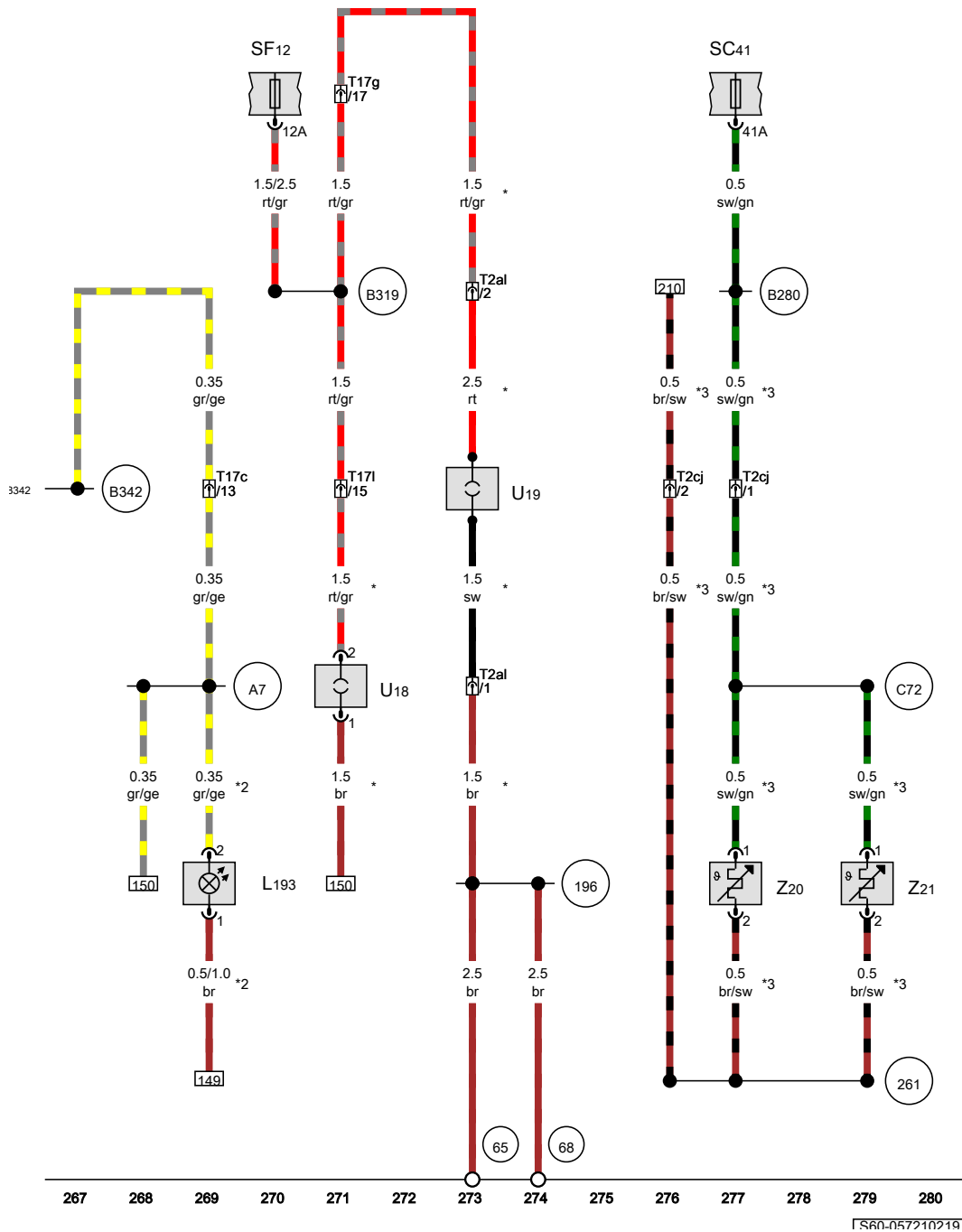
- E102 Headlight range control regulator
- F321 Parking brake contact switch
- J285 Control unit in dash panel insert
- K Dash panel insert
- K139 Handbrake warning lamp
- SF5 Fuse 5 in fuse holder F
- SF11 Fuse 11 in fuse holder F
- T3g 3-pin connector, transparent
- T3h 3-pin connector, transparent
- T6c 6-pin connector, black
- T32 32-pin connector, blue
- U Electric socket, on centre console switch module
- U1 Cigarette lighter, on centre console switch module
- U20 12 V socket 4, in rear centre console

- 367 Earth connection 2, in main wiring harness
- 373 Earth connection 8, in main wiring harness
- B318 Positive connection 4 (30a) in main wiring harness
- B342 Connection 3 (58d), in main wiring harness
- B472 Connection 8, in main wiring harness

- * For models with no electric interface
- *2 Wiring colour depends on equipment
- *3 see applicable current flow diagram for earthing concept
- *4 For smoker version models
- *5 For models with 12 V socket
- *6 According to equipment

- ws = white
- sw = black
- ro = red
- rt = red
- br = brown
- gn = green
- bl = blue
- gr = grey
- li = purple
- vi = purple
- ge = yellow
- or = orange
- rs = pink

1S60-057200219



Light 1 for front centre console background lighting, 12 V socket 2, Left washer jet heater element

- L193 Light 1 for front centre console background lighting, in centre console, under radio
- SF12 Fuse 12 in fuse holder F
- SC41 Fuse 41 on fuse holder C
- T2al 2-pin connector, black, Interface for rear left socket, on wheel housing
- T2cj 2-pin connector, black, near window wiper motor
- T17c 17-pin connector, white, on left under dash panel
- T17g 17-pin connector, black, near handbrake lever
- T17i 17-pin connector, brown, behind dash panel
- U18 12 V socket 2, in centre of dash panel, in storage compartment
- U19 12 V socket 3, on left wheel housing
- Z20 Left washer jet heater element
- Z21 Right washer jet heater element

- 65 Earth point, on rear of left longitudinal member
- 68 Earth point, on left of rear cross member
- 196 Earth connection 3, in rear wiring harness
- 261 Earth connection, in heated washer jet wiring harness
- A7 Positive connection (58 D1), in dash panel wiring harness
- B280 Positive connection 4 (15a) in main wiring harness
- B319 Positive connection 5 (30a) in main wiring harness
- B342 Connection 3 (58d), in main wiring harness
- C72 Positive connection in heated washer jet wiring harness

- ws = white
- sw = black
- ro = red
- rt = red
- br = brown
- gn = green
- bl = blue
- gr = grey
- li = purple
- vi = purple
- ge = yellow
- or = orange
- rs = pink

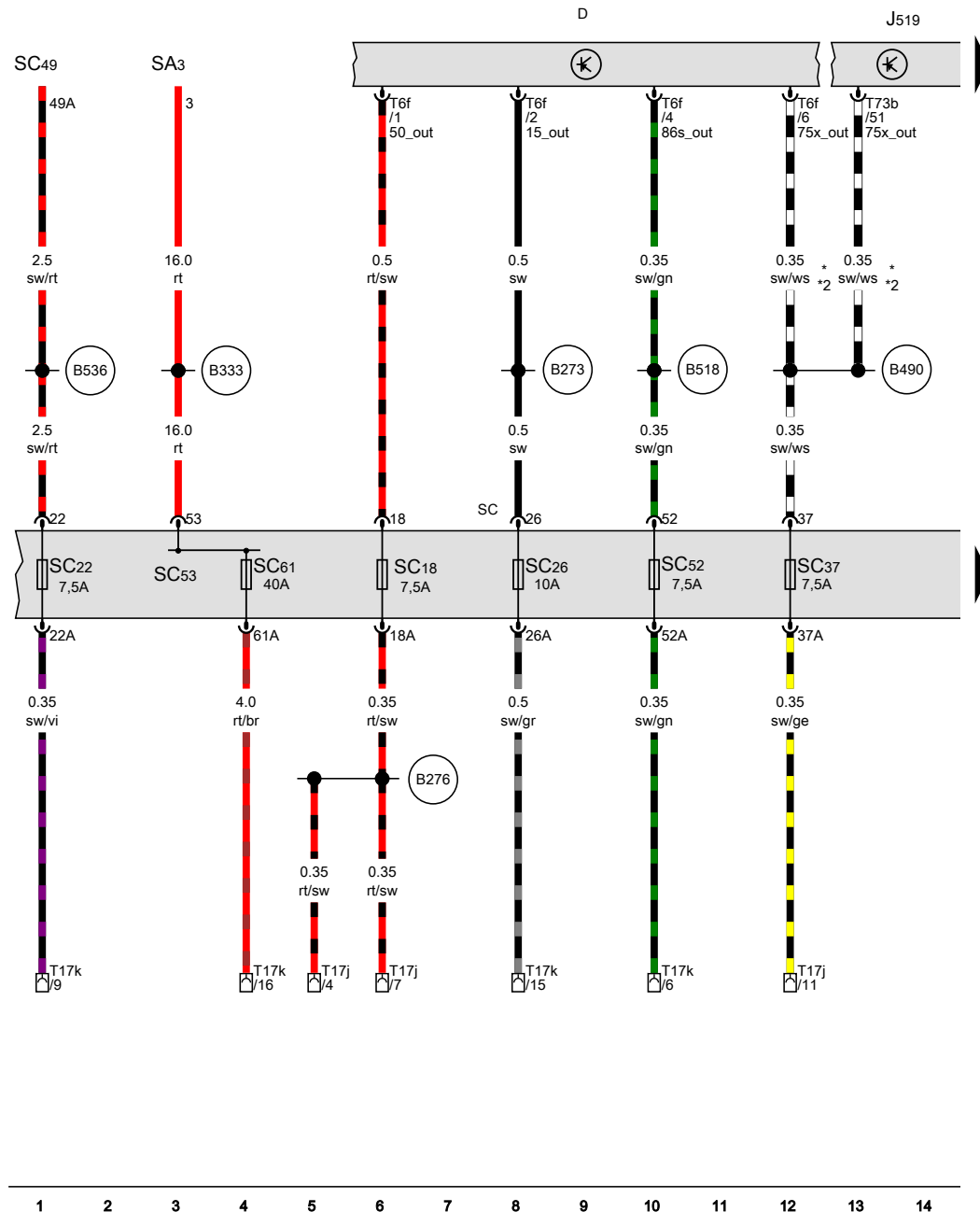
- * For models with 12 V socket
- *2 For models with Highline equipment
- *3 For models with heated washer jets

1S60-0572102191

Interface for external use , (IS1)

From January 2018

Ignition/starter switch, Onboard supply control unit, Fuse 3 on fuse holder A, Fuse holder C

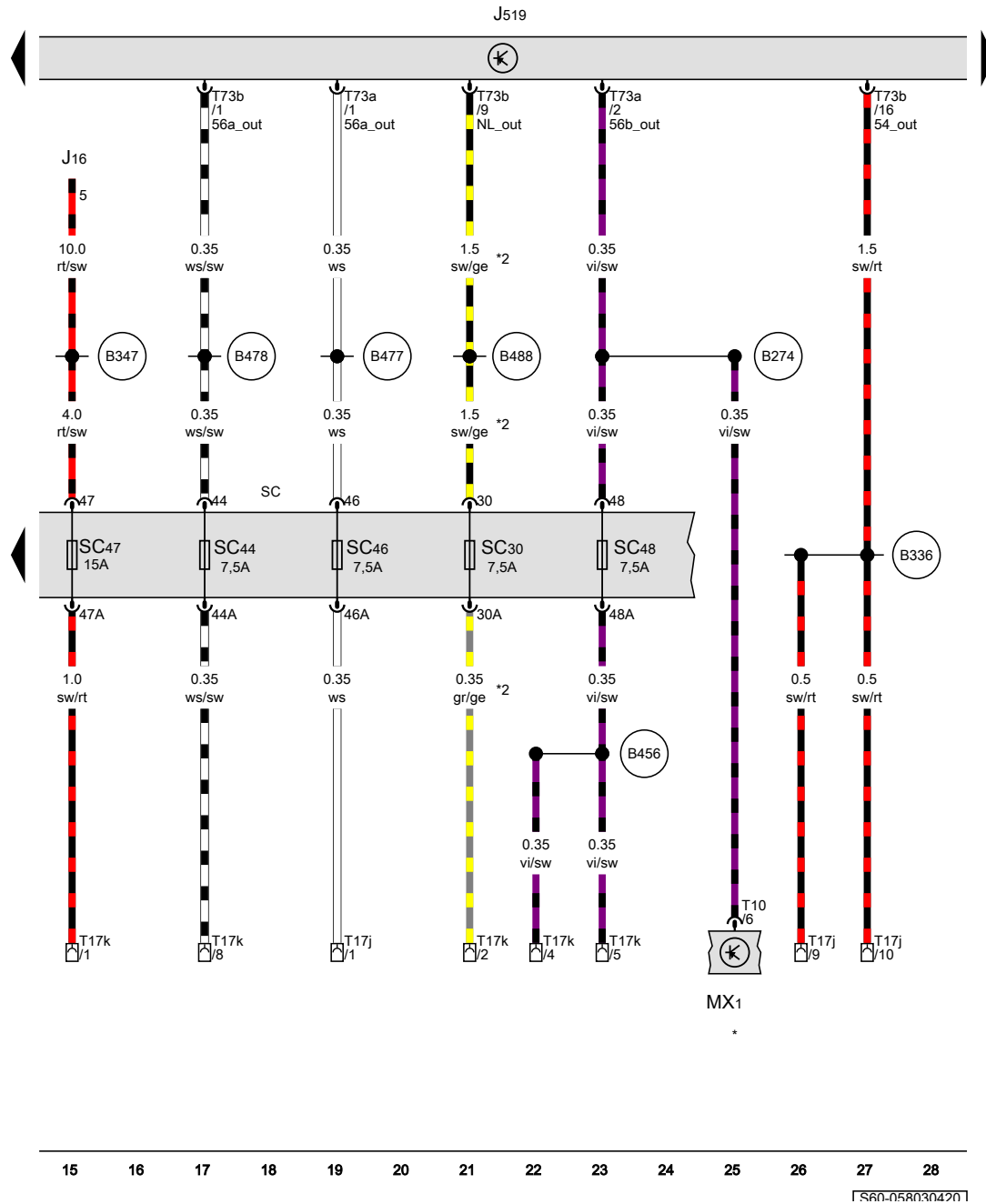


- D Ignition/starter switch
- J519 Onboard supply control unit
- SA3 Fuse 3 on fuse holder A
- SC Fuse holder C
- SC18 Fuse 18 on fuse holder C
- SC22 Fuse 22 on fuse holder C
- SC26 Fuse 26 on fuse holder C
- SC37 Fuse 37 on fuse holder C
- SC49 Fuse 49 on fuse holder C
- SC52 Fuse 52 on fuse holder C
- SC53 Fuse 53 on fuse holder C
- SC61 Fuse 61 on fuse holder C
- T6f 6-pin connector, black
- T17j 17-pin connector, green, near driver side A-pillar
- T17k 17-pin connector, blue, near driver side A-pillar
- T73b 73-pin connector, colourless
- (B273) Positive connection (15), in main wiring harness
- (B276) Positive connection (50), in main wiring harness
- (B333) Positive connection 19 (30a) in main wiring harness
- (B490) Connection 26, in main wiring harness
- (B518) Connection (86s), in main wiring harness
- (B536) Connection 27, in main wiring harness
- * According to equipment
- *2 see applicable current flow diagram for engine

- ws = white
- sw = black
- ro = red
- rt = red
- br = brown
- gn = green
- bl = blue
- gr = grey
- li = purple
- vi = purple
- ge = yellow
- or = orange
- rs = pink

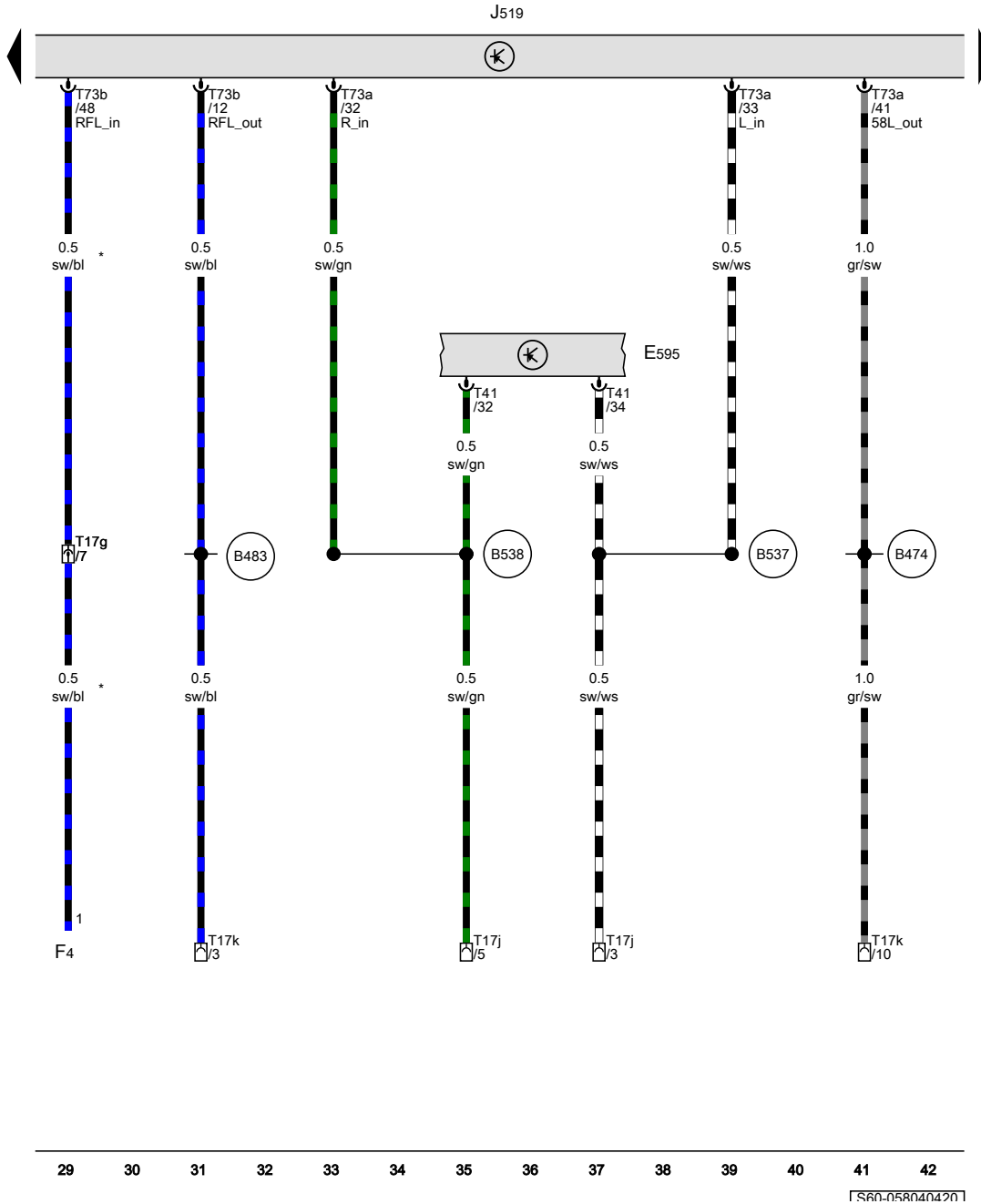
ΓS60-0580204201

Current supply relay, Onboard supply control unit, Front left headlight, Fuse holder C






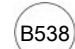
- J16 Current supply relay
- J519 Onboard supply control unit
- MX1 Front left headlight
- SC Fuse holder C
- SC30 Fuse 30 on fuse holder C
- SC44 Fuse 44 on fuse holder C
- SC46 Fuse 46 on fuse holder C
- SC47 Fuse 47 on fuse holder C
- SC48 Fuse 48 on fuse holder C
- T10 10-pin connector, black
- T17j 17-pin connector, green, near driver side A-pillar
- T17k 17-pin connector, blue, near driver side A-pillar
- T73a 73-pin connector, black
- T73b 73-pin connector, colourless
- (B274) Positive connection (58L), in main wiring harness
- (B336) Connection 2 (54), in main wiring harness
- (B347) Connection 2 (75), in main wiring harness
- (B456) Connection (56b), in main wiring harness
- (B477) Connection 13, in main wiring harness
- (B478) Connection 14, in main wiring harness
- (B488) Connection 24, in main wiring harness
- * see applicable current flow diagram for exterior lighting
- *2 For models with fog lights

15 16 17 18 19 20 21 22 23 24 25 26 27 28



Steering column combination switch, Reversing light switch, Onboard supply control unit

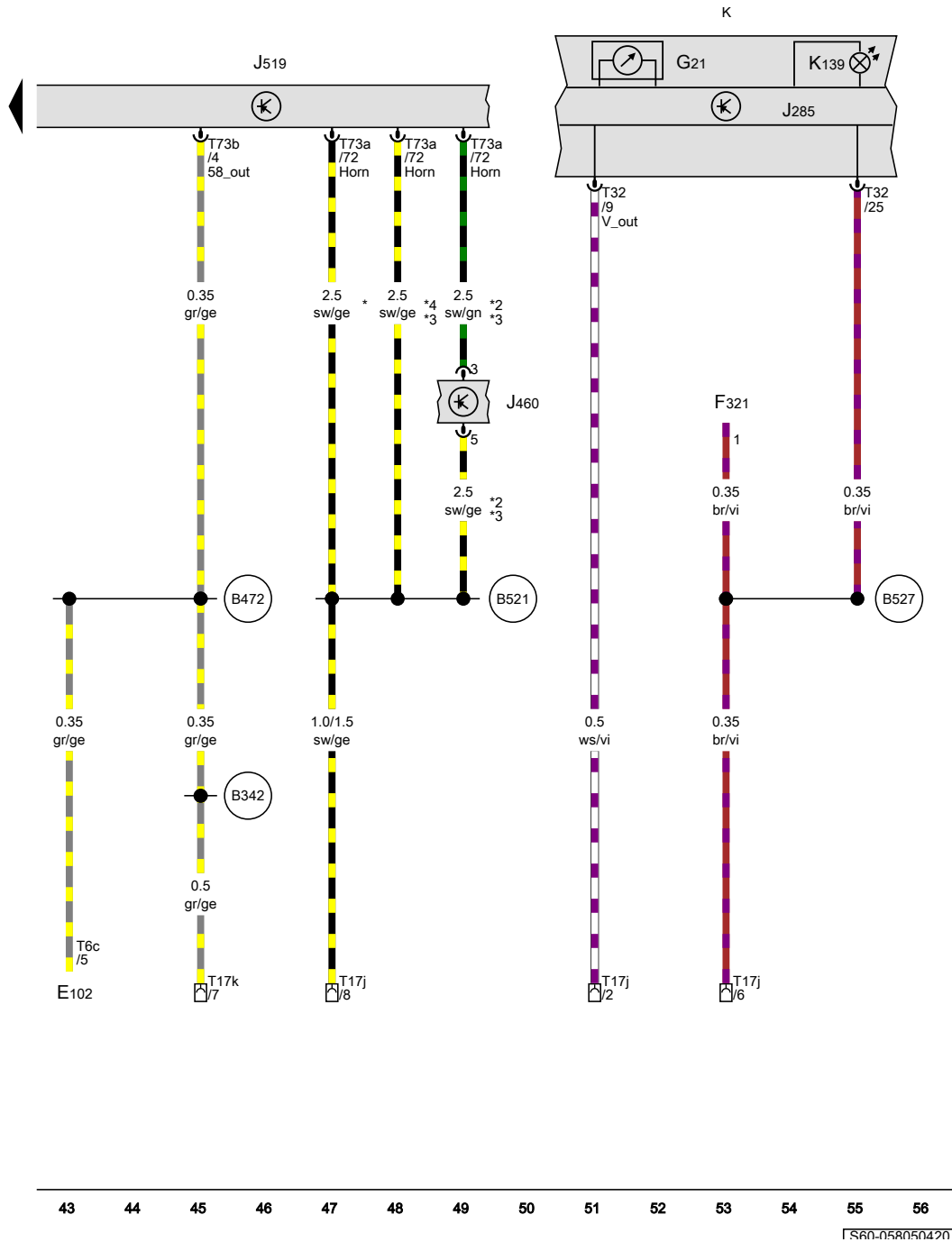
- E595 Steering column combination switch
- F4 Reversing light switch
- J519 Onboard supply control unit
- T17g 17-pin connector, black, near handbrake lever
- T17j 17-pin connector, green, near driver side A-pillar
- T17k 17-pin connector, blue, near driver side A-pillar
- T41 41-pin connector, grey
- T73a 73-pin connector, black
- T73b 73-pin connector, colourless

-  B474 Connection 10, in main wiring harness
-  B483 Connection 19, in main wiring harness
-  B537 Connection 28, in main wiring harness
-  B538 Connection 29, in main wiring harness

* For models with manual gearbox

- ws = white
- sw = black
- ro = red
- rt = red
- br = brown
- gn = green
- bl = blue
- gr = grey
- li = purple
- vi = purple
- ge = yellow
- or = orange
- rs = pink

1S60-058040420



Parking brake contact switch, Alarm system relay 1, Onboard supply control unit, Dash panel insert

- E102 Headlight range control regulator
- F321 Parking brake contact switch
- G21 Speedometer
- J285 Control unit in dash panel insert
- J460 Alarm system relay 1
- J519 Onboard supply control unit
- K Dash panel insert
- K139 Handbrake warning lamp
- T6c 6-pin connector, black
- T17j 17-pin connector, green, near driver side A-pillar
- T17k 17-pin connector, blue, near driver side A-pillar
- T32 32-pin connector, blue
- T73a 73-pin connector, black
- T73b 73-pin connector, colourless

- (B342) Connection 3 (58d), in main wiring harness
- (B472) Connection 8, in main wiring harness
- (B521) Connection (dual tone horn), in main wiring harness
- (B527) Connection (handbrake), in main wiring harness

- * For models with no anti-theft alarm system
- *2 For models with anti-theft alarm system and anti-theft alarm system horn
- *3 see applicable current flow diagram
- *4 For models with anti-theft alarm system

- ws = white
- sw = black
- ro = red
- rt = red
- br = brown
- gn = green
- bl = blue
- gr = grey
- li = purple
- vi = purple
- ge = yellow
- or = orange
- rs = pink

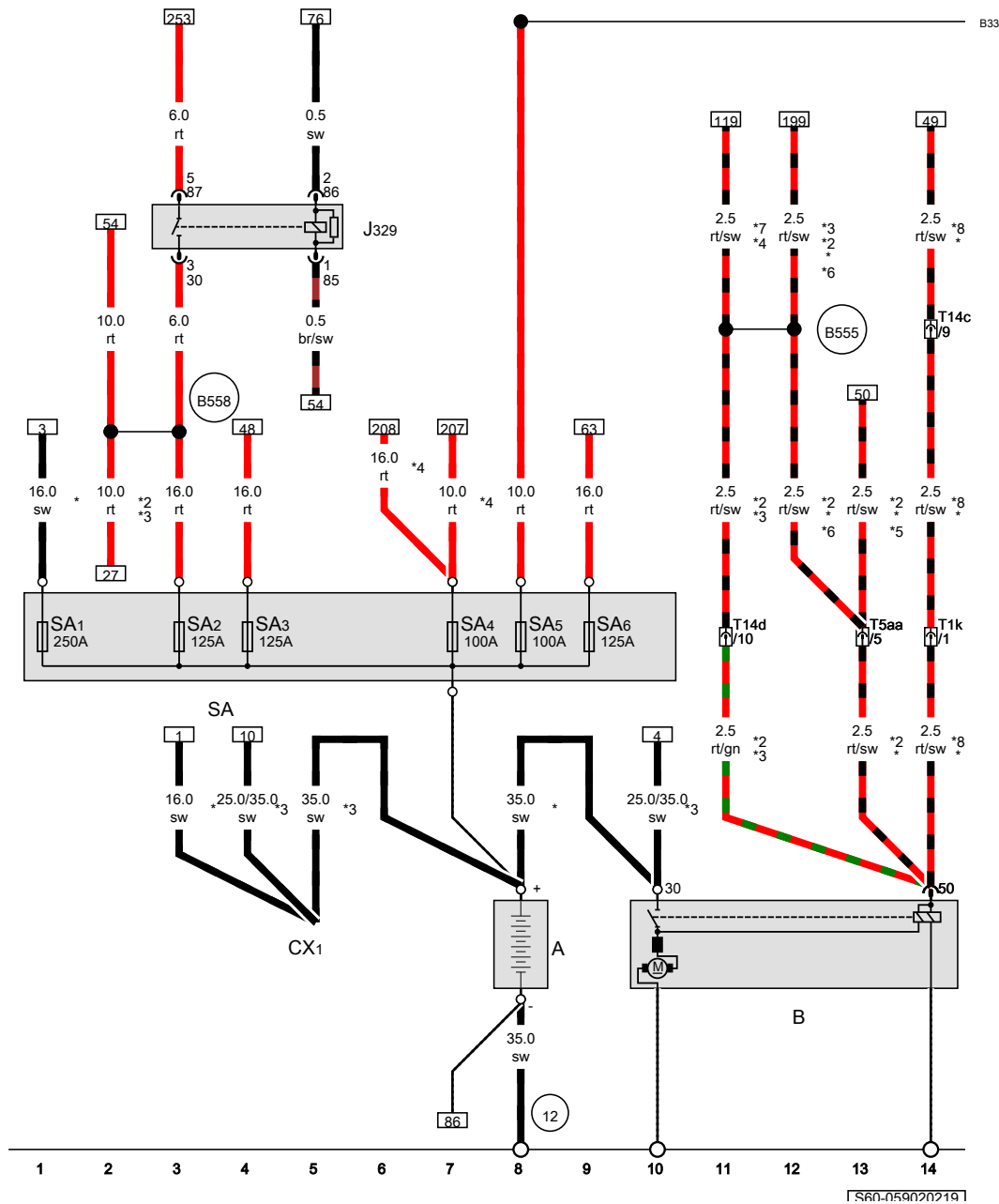
43 44 45 46 47 48 49 50 51 52 53 54 55 56

1S60-0580504201

Fuse assignment

From January 2018

Battery, Starter, Terminal 15 voltage supply relay, Fuse holder A



- A Battery
- B Starter
- CX1 Alternator with voltage regulator
- J329 Terminal 15 voltage supply relay
- SA Fuse holder A
- SA1 Fuse 1 on fuse holder A
- SA2 Fuse 2 on fuse holder A
- SA3 Fuse 3 on fuse holder A
- SA4 Fuse 4 on fuse holder A
- SA5 Fuse 5 on fuse holder A
- SA6 Fuse 6 on fuse holder A
- T1k 1-pin connector, black, near starter
- T5aa 5-pin connector, black, near battery
- T14c 14-pin connector, grey, near battery
- T14d 14-pin connector, black, near battery

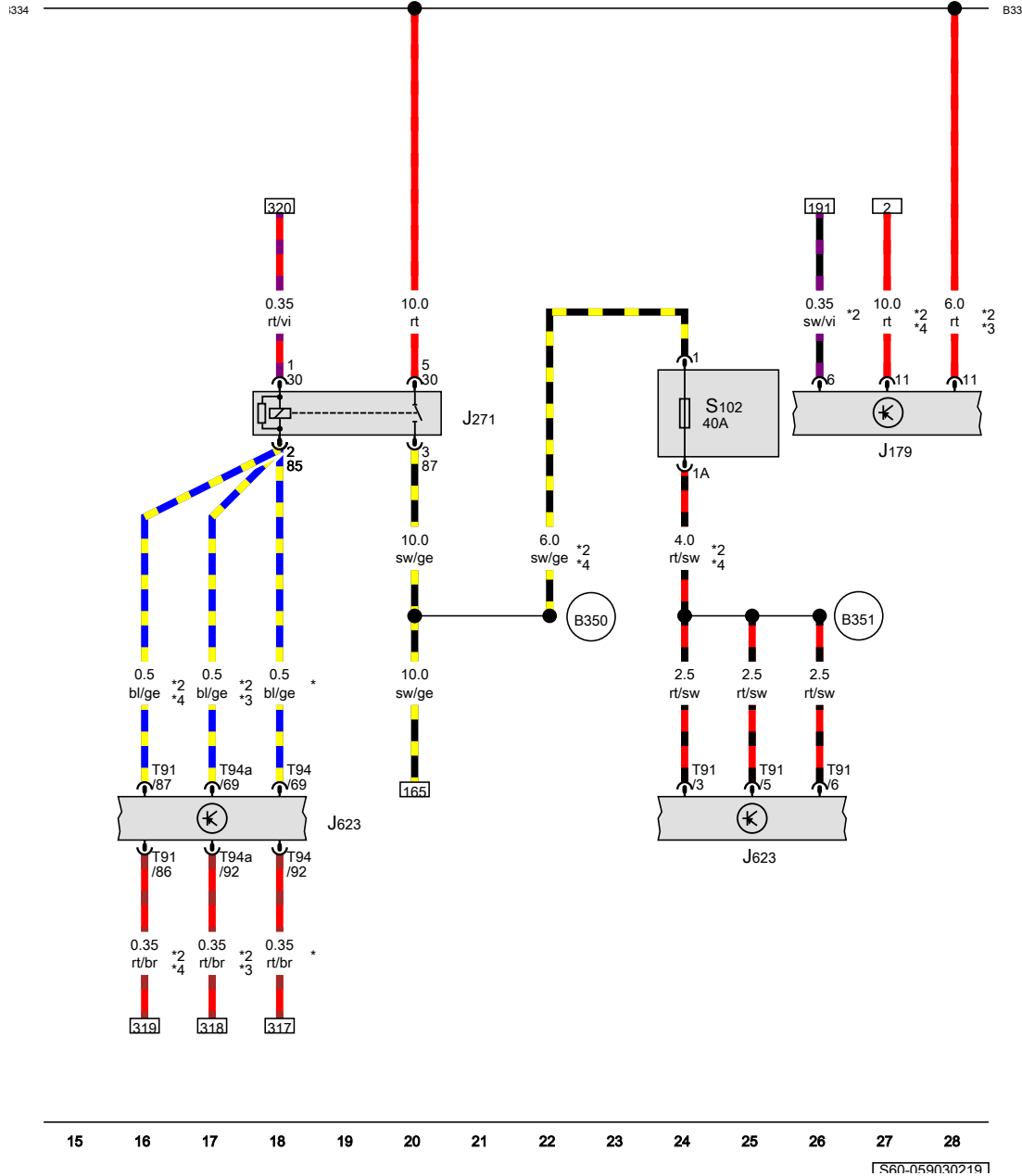
- 12 Earth point, on left in engine compartment
- B334 Positive connection 20 (30a) in main wiring harness
- B555 Positive connection 2 (50), in main wiring harness
- B558 Positive connection 22 (30a) in main wiring harness

- * For models with 2.0l engine
- *2 For models with diesel engine
- *3 For models with 3.0l engine
- *4 see applicable current flow diagram for engine
- *5 For models with no start/stop system
- *6 For models with start/stop system
- *7 According to equipment
- *8 For models with petrol engine

- ws = white
- sw = black
- ro = red
- rt = red
- br = brown
- gn = green
- bl = blue
- gr = grey
- li = purple
- vi = purple
- ge = yellow
- or = orange
- rs = pink

1560-0590202191

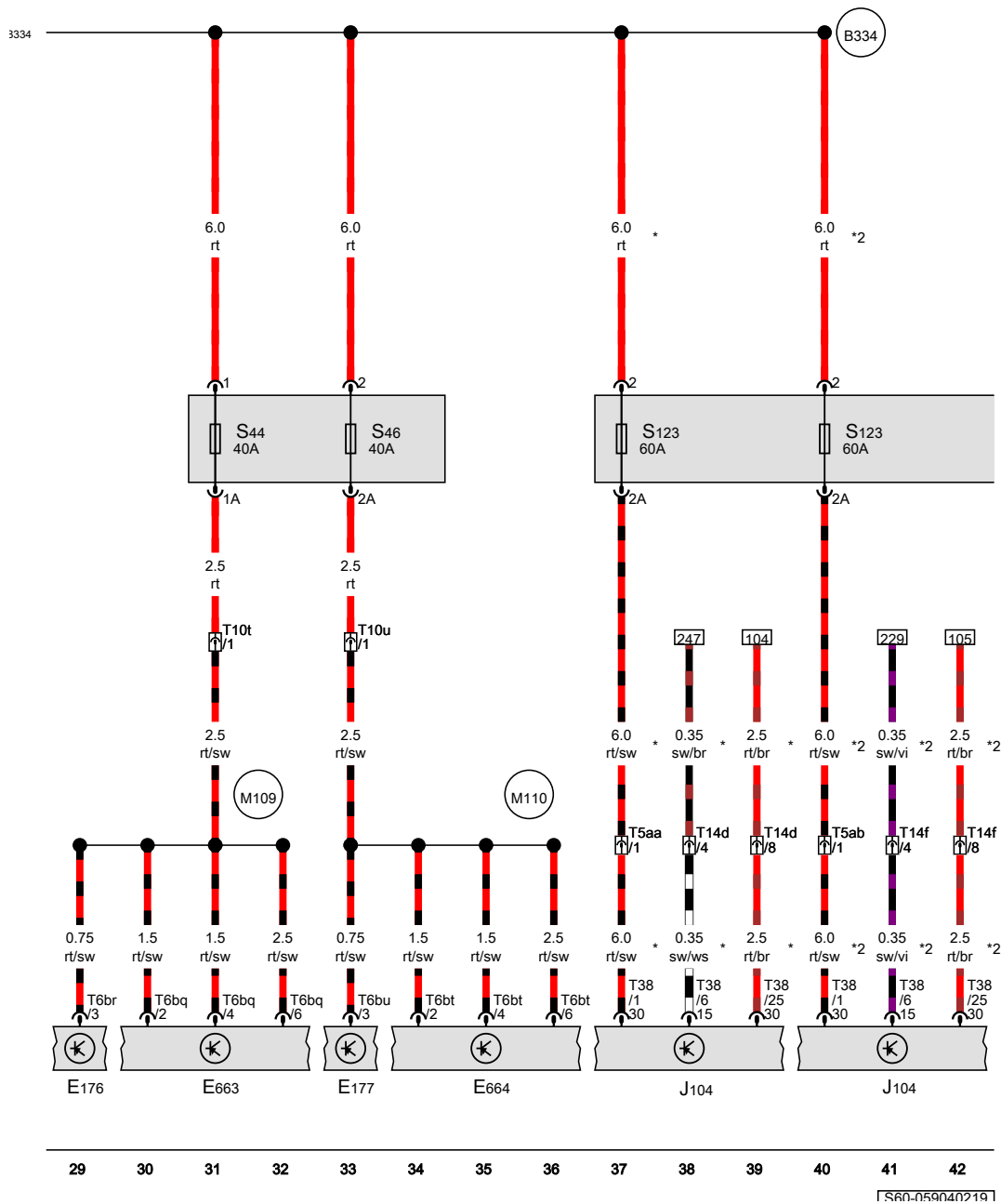
Main relay, Engine/motor control unit fuse



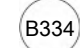
- J179 Automatic glow period control unit
- J271 Main relay
- J623 Engine/motor control unit
- S102 Engine/motor control unit fuse
- T91 91-pin connector, black
- T94 94-pin connector, black
- T94a 94-pin connector, black
- B334 Positive connection 20 (30a) in main wiring harness
- B350 Positive connection 1 (87a) in main wiring harness
- B351 Positive connection 2 (87a) in main wiring harness
- * For models with petrol engine
- *2 For models with diesel engine
- *3 For models with 2.0l engine
- *4 For models with 3.0l engine

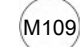
[S60-059030219]


Driver seat adjustment thermal fuse 1, Front passenger seat adjustment thermal fuse 1, ABS control unit fuse 1



- E176 Driver seat lumbar support adjustment switch
- E177 Front passenger seat lumbar support adjustment switch
- E663 Switch module for driver seat
- E664 Switch module for front passenger seat
- J104 ABS control unit
- S44 Driver seat adjustment thermal fuse 1
- S46 Front passenger seat adjustment thermal fuse 1
- S123 ABS control unit fuse 1
- T5aa 5-pin connector, black, near battery
- T5ab 5-pin connector, black, near right headlight
- T6bq 6-pin connector, black
- T6br 6-pin connector, black
- T6bt 6-pin connector, black
- T6bu 6-pin connector, black
- T10t 10-pin connector, black, under driver seat
- T10u 10-pin connector, black, under front passenger seat
- T14d 14-pin connector, black, near battery
- T14f 14-pin connector, black, near right headlight
- T38 38-pin connector, black

 B334 Positive connection 20 (30a) in main wiring harness

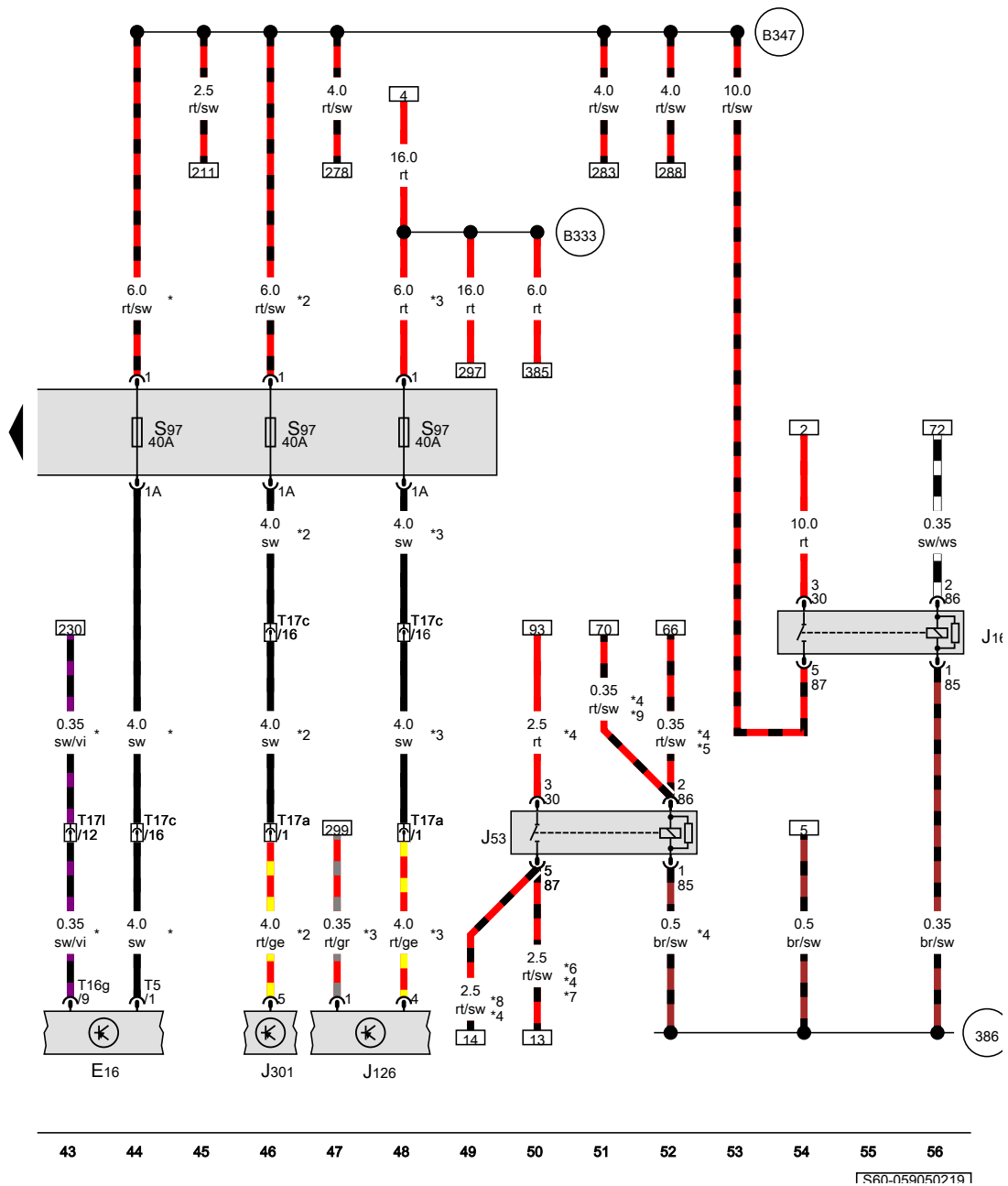
 M109 Connection 1 (30), in front left seat wiring harness

 M110 Connection 1 (30), in front right seat wiring harness

* For models with 2.0l engine
 *2 For models with 3.0l engine

- ws = white
- sw = black
- ro = red
- rt = red
- br = brown
- gn = green
- bl = blue
- gr = grey
- li = purple
- vi = purple
- ge = yellow
- or = orange
- rs = pink

Current supply relay, Starter motor relay, Fresh air blower fuse 1



- E16 Heater/heat output switch
- J16 Current supply relay
- J53 Starter motor relay
- J126 Fresh air blower control unit
- J301 Air conditioning system control unit
- S97 Fresh air blower fuse 1, black, next to steering column
- T5 5-pin connector, black
- T16g 16-pin connector, black
- T17a 17-pin connector, black
- T17c 17-pin connector, white, behind dash panel
- T17l 17-pin connector, brown, behind dash panel

- 386 Earth connection 21, in main wiring harness
- B333 Positive connection 19 (30a) in main wiring harness
- B347 Connection 2 (75), in main wiring harness
- * For models with no air conditioning system
- *2 For models with Climatic
- *3 For models with Climatronic
- *4 For models with 2.0l engine
- *5 For models with manual gearbox
- *6 For models with diesel engine
- *7 For models with no start/stop system
- *8 For models with petrol engine
- *9 For models with automatic gearbox

- ws = white
- sw = black
- ro = red
- rt = red
- br = brown
- gn = green
- bl = blue
- gr = grey
- li = purple
- vi = purple
- ge = yellow
- or = orange
- rs = pink

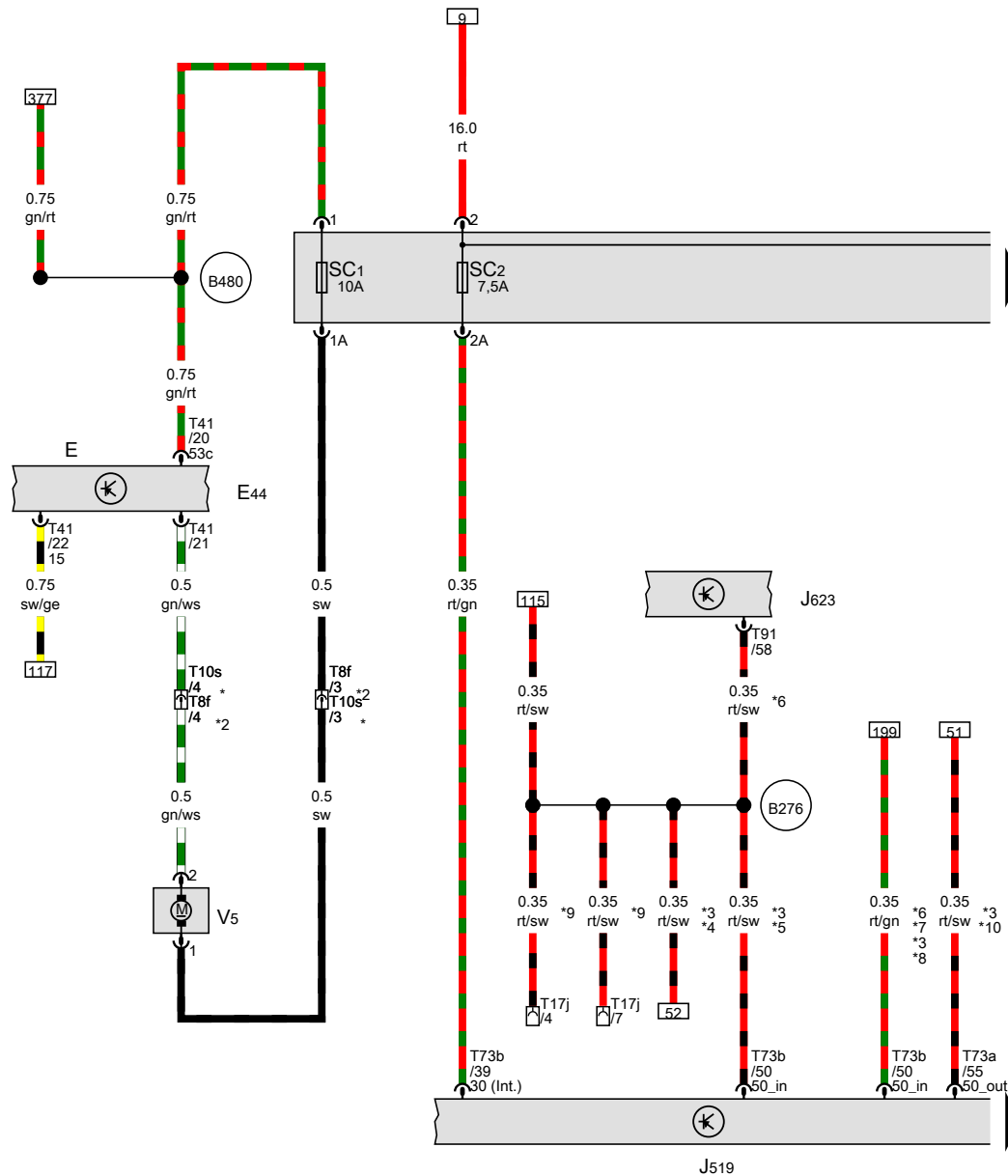
Fuse 1 on fuse holder C, Fuse 2 on fuse holder C

- E Windscreen wiper switch
- E44 Washer pump switch (automatic wash/wipe and headlight washer system)
- J519 Onboard supply control unit
- J623 Engine/motor control unit
- SC1 Fuse 1 on fuse holder C
- SC2 Fuse 2 on fuse holder C
- T8f 8-pin connector, black
- T10s 10-pin connector, black
- T17j 17-pin connector, green, near driver side A-pillar
- T41 41-pin connector, grey
- T73a 73-pin connector, black
- T73b 73-pin connector, colourless
- T91 91-pin connector, black
- V5 Washer pump

B276 Positive connection (50), in main wiring harness

B480 Connection 16, in main wiring harness

- * For models with provision for side member lighting
- *2 For models with no provision for side member lighting
- *3 For models with 2.0l engine
- *4 For models with manual gearbox
- *5 For models with no start/stop system
- *6 For models with 3.0l engine
- *7 For models with diesel engine
- *8 For models with start/stop system
- *9 For models with electric interface for external use
- *10 For models with automatic gearbox



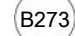
- ws = white
- sw = black
- ro = red
- rt = red
- br = brown
- gn = green
- bl = blue
- gr = grey
- li = purple
- vi = purple
- ge = yellow
- or = orange
- rs = pink

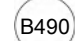
57 58 59 60 61 62 63 64 65 66 67 68 69 70

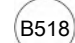
[S60-059060219]

Ignition/starter switch, Fuse 3 on fuse holder C, Fuse 4 on fuse holder C, Fuse 5 on fuse holder C

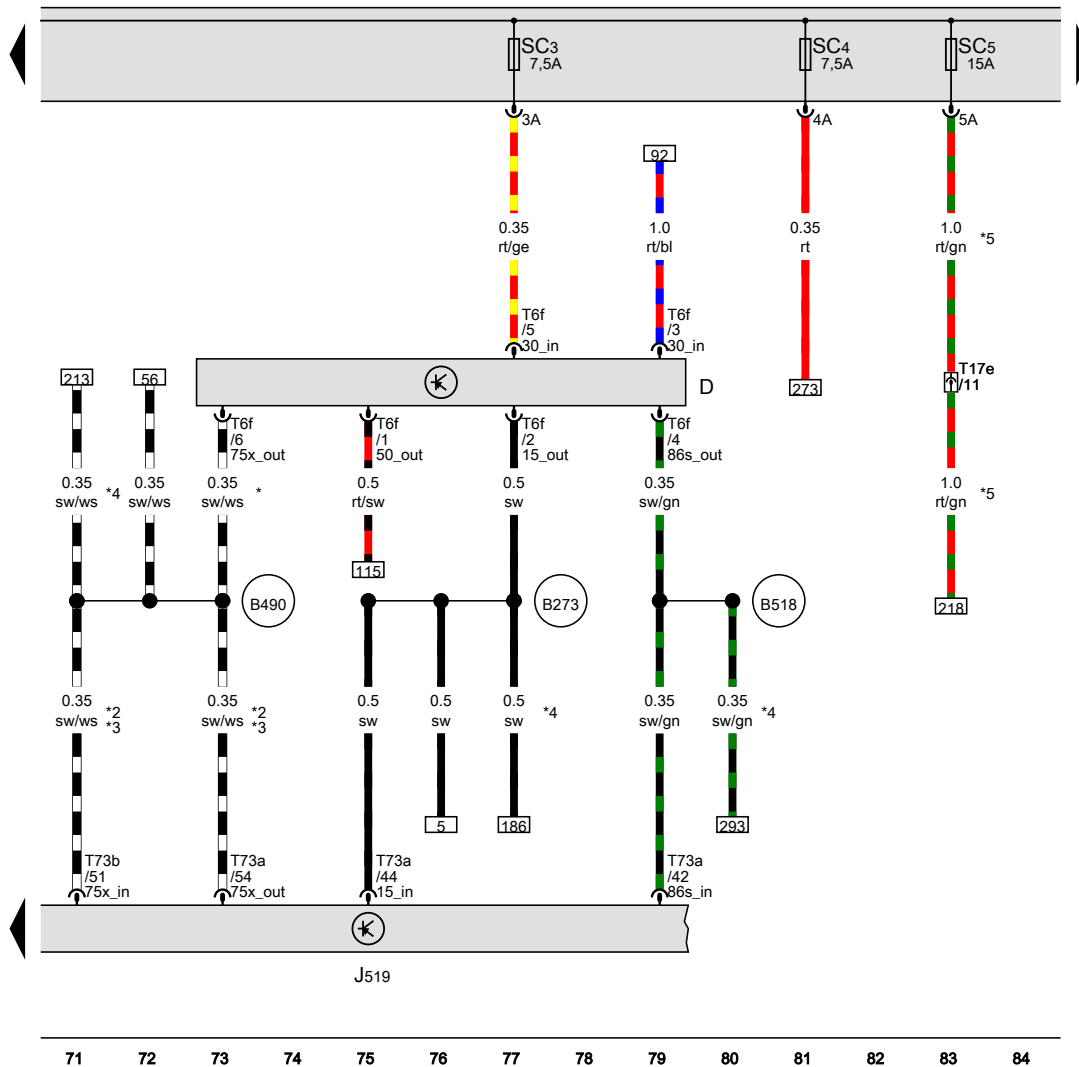
- D Ignition/starter switch
- J519 Onboard supply control unit
- SC3 Fuse 3 on fuse holder C
- SC4 Fuse 4 on fuse holder C
- SC5 Fuse 5 on fuse holder C
- T6f 6-pin connector, black
- T17e 17-pin connector, red, near handbrake lever
- T73a 73-pin connector, black
- T73b 73-pin connector, colourless

 B273 Positive connection (15), in main wiring harness

 B490 Connection 26, in main wiring harness

 B518 Connection (86s), in main wiring harness

- * For models with no start/stop system
- *2 According to equipment
- *3 see applicable current flow diagram for engine
- *4 For models with electric interface for external use
- *5 For models with automatic gearbox



- ws = white
- sw = black
- ro = red
- rt = red
- br = brown
- gn = green
- bl = blue
- gr = grey
- li = purple
- vi = purple
- ge = yellow
- or = orange
- rs = pink

[S60-059070219]

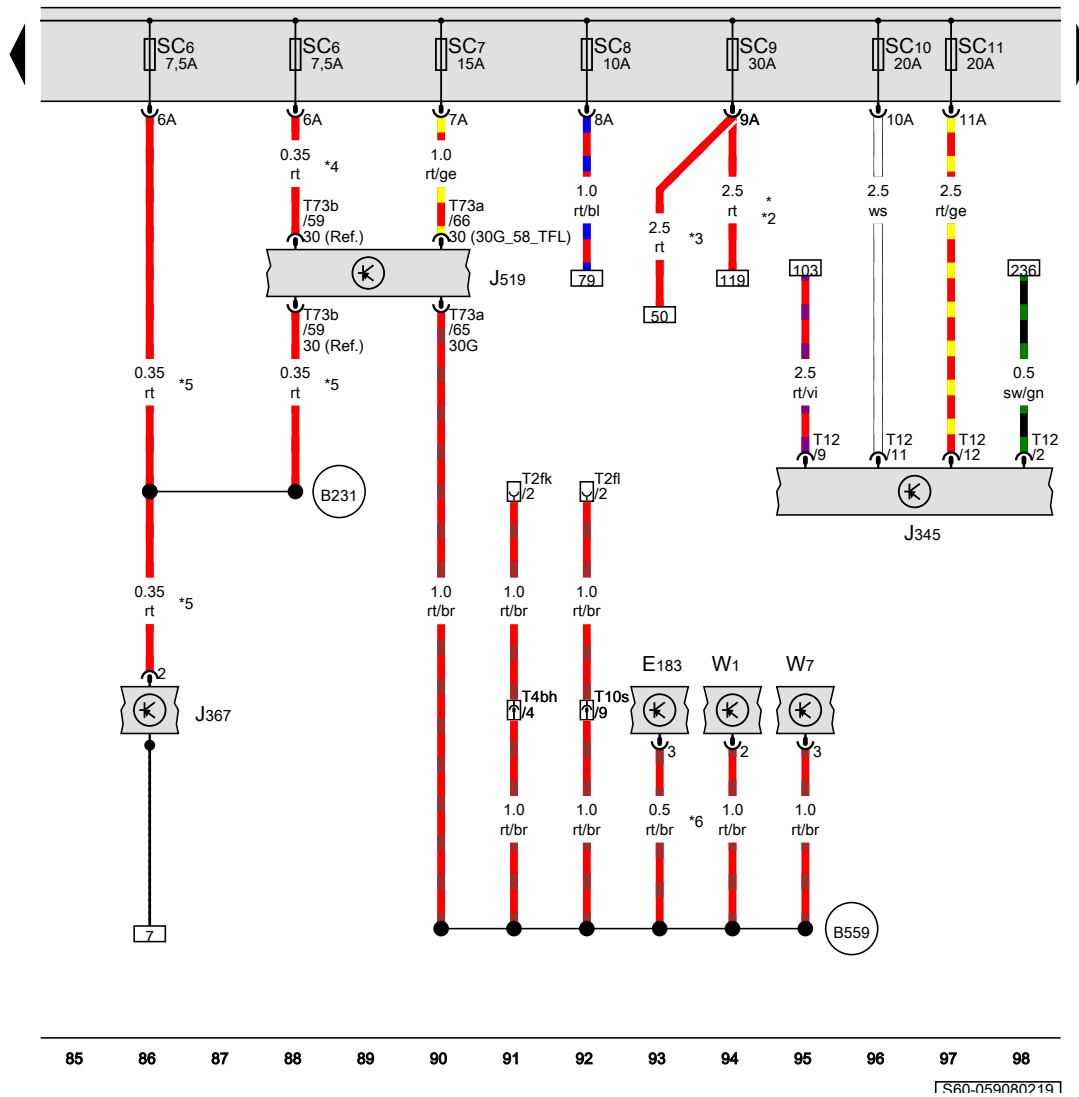
Fuse 6 on fuse holder C, Fuse 7 on fuse holder C, Fuse 8 on fuse holder C, Fuse 9 on fuse holder C, Fuse 10 on fuse holder C, Fuse 11 on fuse holder C

- E183 Interior monitoring switch
- J345 Trailer detector control unit
- J367 Battery monitor control unit
- J519 Onboard supply control unit
- SC6 Fuse 6 on fuse holder C
- SC7 Fuse 7 on fuse holder C
- SC8 Fuse 8 on fuse holder C
- SC9 Fuse 9 on fuse holder C
- SC10 Fuse 10 on fuse holder C
- SC11 Fuse 11 on fuse holder C
- T2fk 2-pin connector, black, bottom, left, near entry light
- T2fl 2-pin connector, black, bottom, right, near entry light
- T4bh 4-pin connector, black, in rear left of engine compartment
- T10s 10-pin connector, black, in rear right of engine compartment
- T12 12-pin connector, red
- T73a 73-pin connector, black
- T73b 73-pin connector, colourless
- W1 Front interior light
- W7 Centre interior light

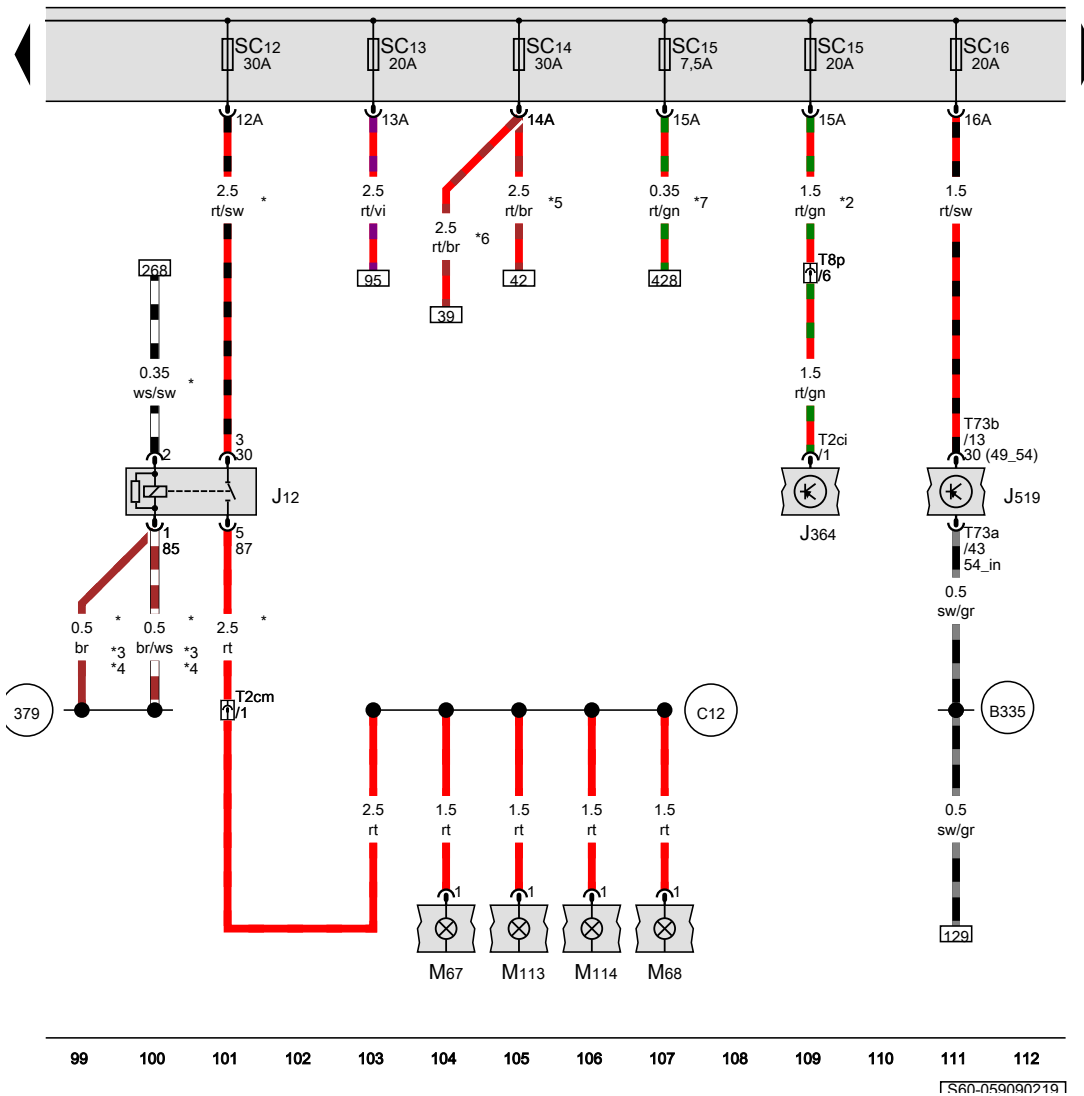
- B231 Positive connection 5 (30a), in interior wiring harness
- B559 Positive connection 1 (30g), in main wiring harness

- * According to equipment
- *2 see applicable current flow diagram for engine
- *3 For models with 2.0l engine
- *4 For models with no start/stop system
- *5 For models with start/stop system
- *6 For models with anti-theft alarm system

- ws = white
- sw = black
- ro = red
- rt = red
- br = brown
- gn = green
- bl = blue
- gr = grey
- li = purple
- vi = purple
- ge = yellow
- or = orange
- rs = pink



Fuse 12 on fuse holder C, Fuse 13 on fuse holder C, Fuse 14 on fuse holder C, Fuse 15 on fuse holder C, Fuse 16 on fuse holder C



- J12 Headlight main beam relay
- J364 Auxiliary heater control unit
- J519 Onboard supply control unit
- M67 Left additional main beam bulb
- M68 Right additional main beam bulb
- M113 Centre left additional main beam bulb
- M114 Centre right additional main beam bulb
- SC12 Fuse 12 on fuse holder C
- SC13 Fuse 13 on fuse holder C
- SC14 Fuse 14 on fuse holder C
- SC15 Fuse 15 on fuse holder C
- SC16 Fuse 16 on fuse holder C
- T2ci 2-pin connector, black
- T2cm 2-pin connector, black
- T8p 8-pin connector, black, near battery
- T73a 73-pin connector, black
- T73b 73-pin connector, colourless

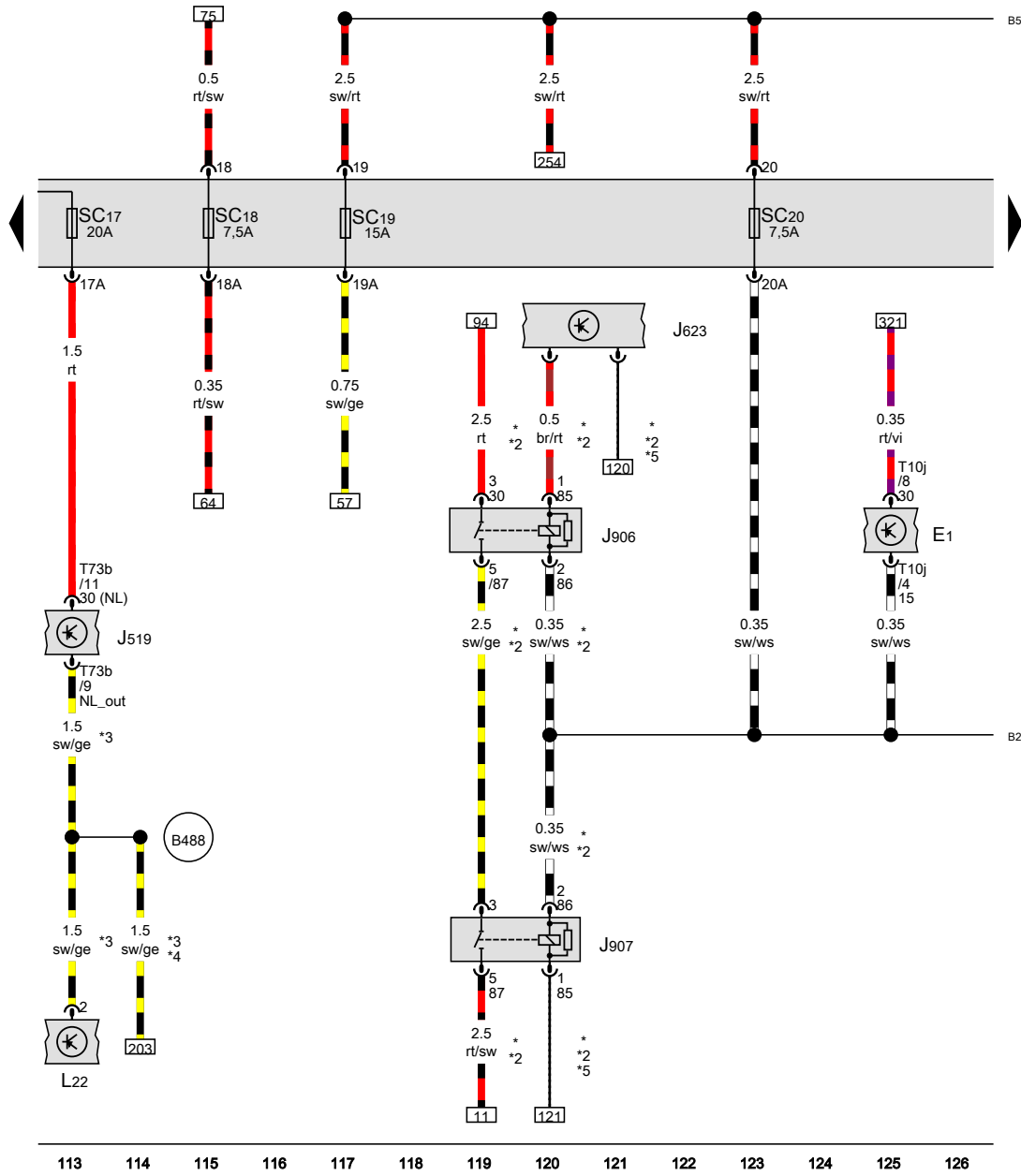
- 379 Earth connection 14, in main wiring harness
- B335 Connection 1 (54), in main wiring harness
- C12 Positive connection 1, in headlight wiring harness

- * For models with auxiliary lights
- *2 For models with auxiliary coolant heater (supplementary heater)
- *3 Wiring colour depends on equipment
- *4 see applicable current flow diagram for earthing concept
- *5 For models with 3.0l engine
- *6 For models with 2.0l engine
- *7 For models with petrol engine

- ws = white
- sw = black
- ro = red
- rt = red
- br = brown
- gn = green
- bl = blue
- gr = grey
- li = purple
- vi = purple
- ge = yellow
- or = orange
- rs = pink

TS60-059090219

Starter relay 1, Starter relay 2, Fuse 17 on fuse holder C, Fuse 18 on fuse holder C, Fuse 19 on fuse holder C, Fuse 20 on fuse holder C



- E1 Light switch
- J519 Onboard supply control unit
- J623 Engine/motor control unit
- J906 Starter relay 1
- J907 Starter relay 2
- L22 Left fog light bulb
- SC17 Fuse 17 on fuse holder C
- SC18 Fuse 18 on fuse holder C
- SC19 Fuse 19 on fuse holder C
- SC20 Fuse 20 on fuse holder C
- T10j 10-pin connector, black
- T73b 73-pin connector, colourless

B282 Positive connection 6 (15a) in main wiring harness

B488 Connection 24, in main wiring harness

B536 Connection 27, in main wiring harness

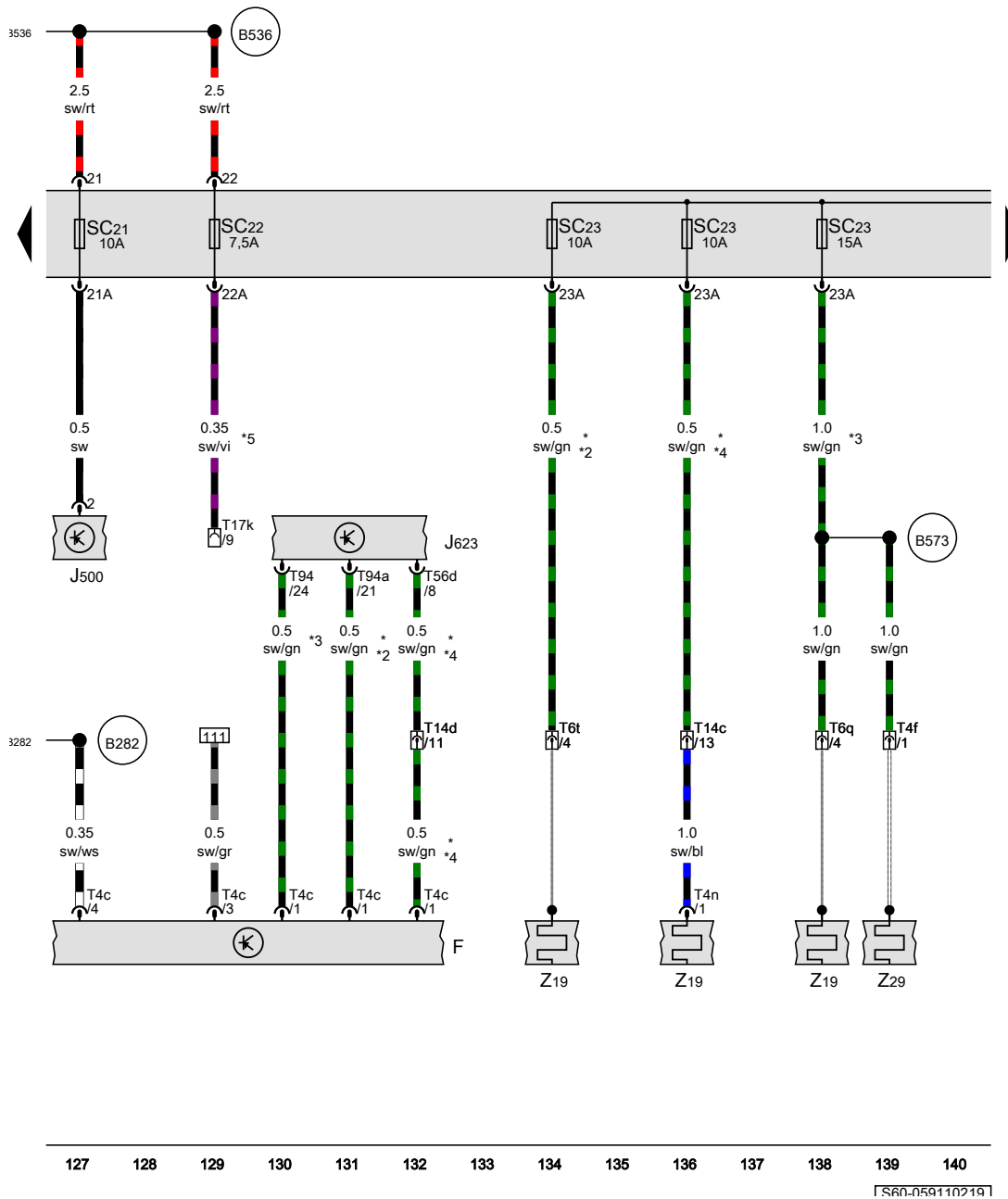
- * According to equipment
- *2 see applicable current flow diagram for engine
- *3 For models with fog lights
- *4 For models with electric interface for external use
- *5 Wiring colour depends on equipment

- ws = white
- sw = black
- ro = red
- rt = red
- br = brown
- gn = green
- bl = blue
- gr = grey
- li = purple
- vi = purple
- ge = yellow
- or = orange
- rs = pink

113 114 115 116 117 118 119 120 121 122 123 124 125 126

[S60-059100219]

Fuse 21 on fuse holder C, Fuse 22 on fuse holder C, Fuse 23 on fuse holder C



- F Brake light switch
- J500 Power steering control unit
- J623 Engine/motor control unit
- SC21 Fuse 21 on fuse holder C
- SC22 Fuse 22 on fuse holder C
- SC23 Fuse 23 on fuse holder C
- T4c 4-pin connector, black
- T4f 4-pin connector, brown, in rear right of engine compartment
- T4n 4-pin connector, black
- T6q 6-pin connector, black, front right in engine compartment
- T6t 6-pin connector, black, front right in engine compartment
- T14c 14-pin connector, grey, near battery
- T14d 14-pin connector, black, near battery
- T17k 17-pin connector, blue, near driver side A-pillar
- T56d 56-pin connector, black
- T94 94-pin connector, black
- T94a 94-pin connector, black
- Z19 Lambda probe heater
- Z29 Lambda probe 1 heater after catalytic converter
- B282 Positive connection 6 (15a) in main wiring harness
- B536 Connection 27, in main wiring harness
- B573 Connection 40, in main wiring harness
- * For models with diesel engine
- *2 For models with 2.0l engine
- *3 For models with petrol engine
- *4 For models with 3.0l engine
- *5 For models with electric interface for external use

- ws = white
- sw = black
- ro = red
- rt = red
- br = brown
- gn = green
- bl = blue
- gr = grey
- li = purple
- vi = purple
- ge = yellow
- or = orange
- rs = pink

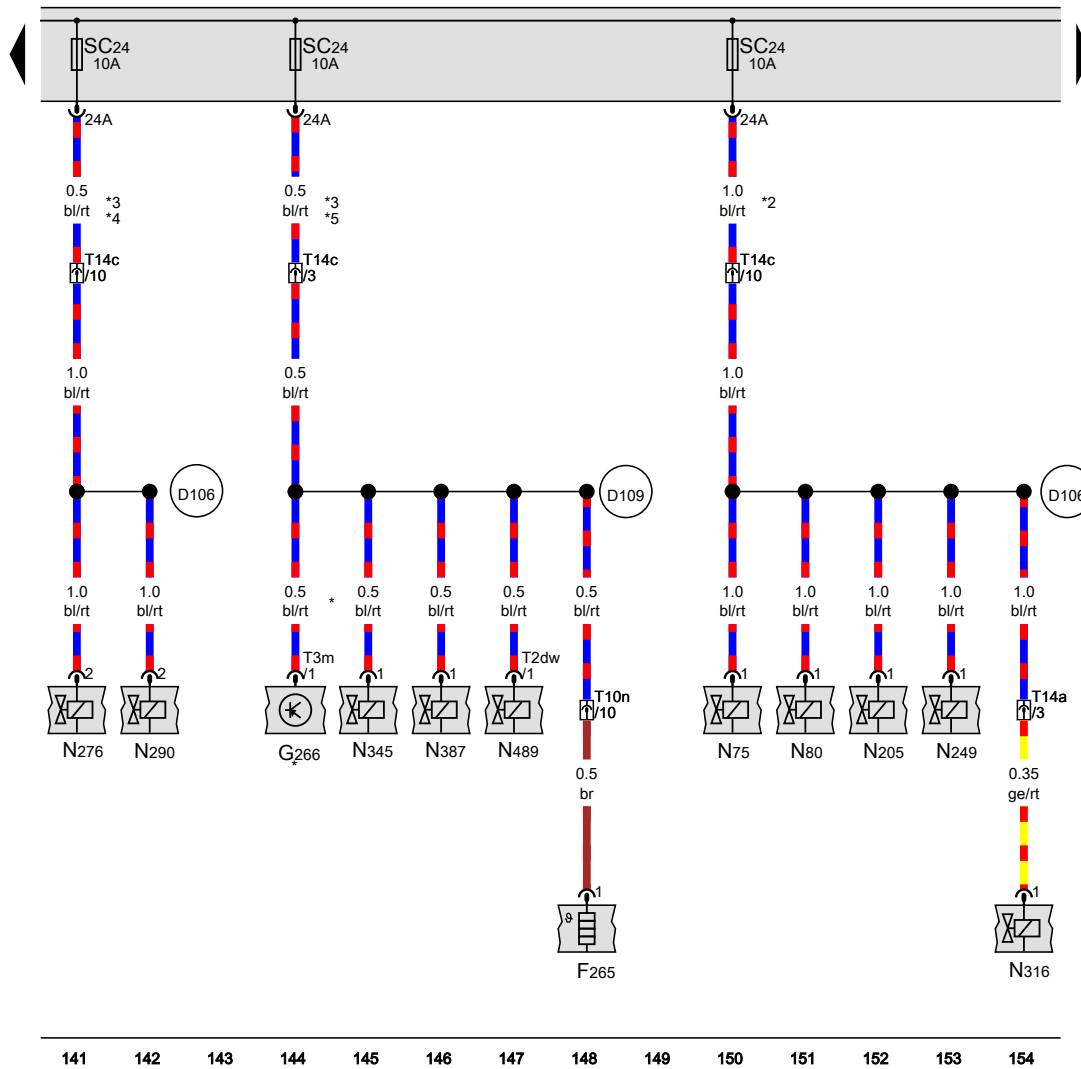
Fuse 24 on fuse holder C

- F265 Map-controlled engine cooling system thermostat
- G266 Oil level and oil temperature sender
- N75 Charge pressure control solenoid valve
- N80 Activated charcoal filter solenoid valve 1
- N205 Camshaft control valve 1
- N249 Turbocharger air recirculation valve
- N276 Fuel pressure regulating valve
- N290 Fuel metering valve
- N316 Intake manifold flap valve
- N345 Exhaust gas recirculation cooler changeover valve
- N387 Exhaust gas recirculation cooling bypass valve 2
- N489 Coolant valve for cylinder head
- SC24 Fuse 24 on fuse holder C
- T2dw 2-pin connector, grey
- T3m 3-pin connector, black
- T10n 10-pin connector, black
- T14a 14-pin connector, black, front left in engine compartment
- T14c 14-pin connector, grey, near battery

D106 Connection 4 in engine compartment wiring harness

D109 Connection 7 in engine compartment wiring harness

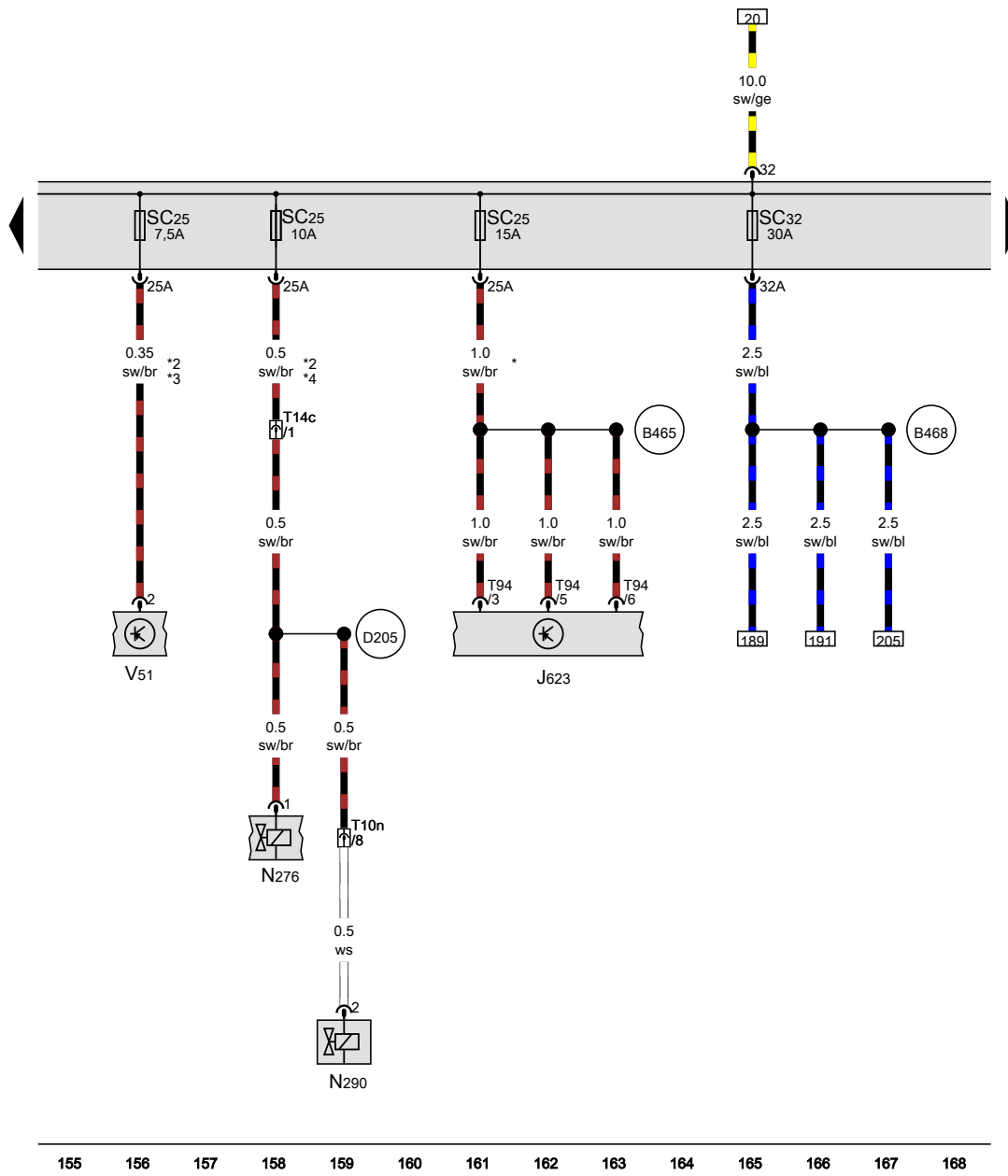
- * According to equipment
- *2 For models with petrol engine
- *3 For models with diesel engine
- *4 For models with 2.0l engine
- *5 For models with 3.0l engine



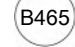
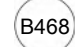

- ws = white
- sw = black
- ro = red
- rt = red
- br = brown
- gn = green
- bl = blue
- gr = grey
- li = purple
- vi = purple
- ge = yellow
- or = orange
- rs = pink

TS60-059120219

Fuel metering valve, Fuse 25 on fuse holder C, Fuse 32 on fuse holder C



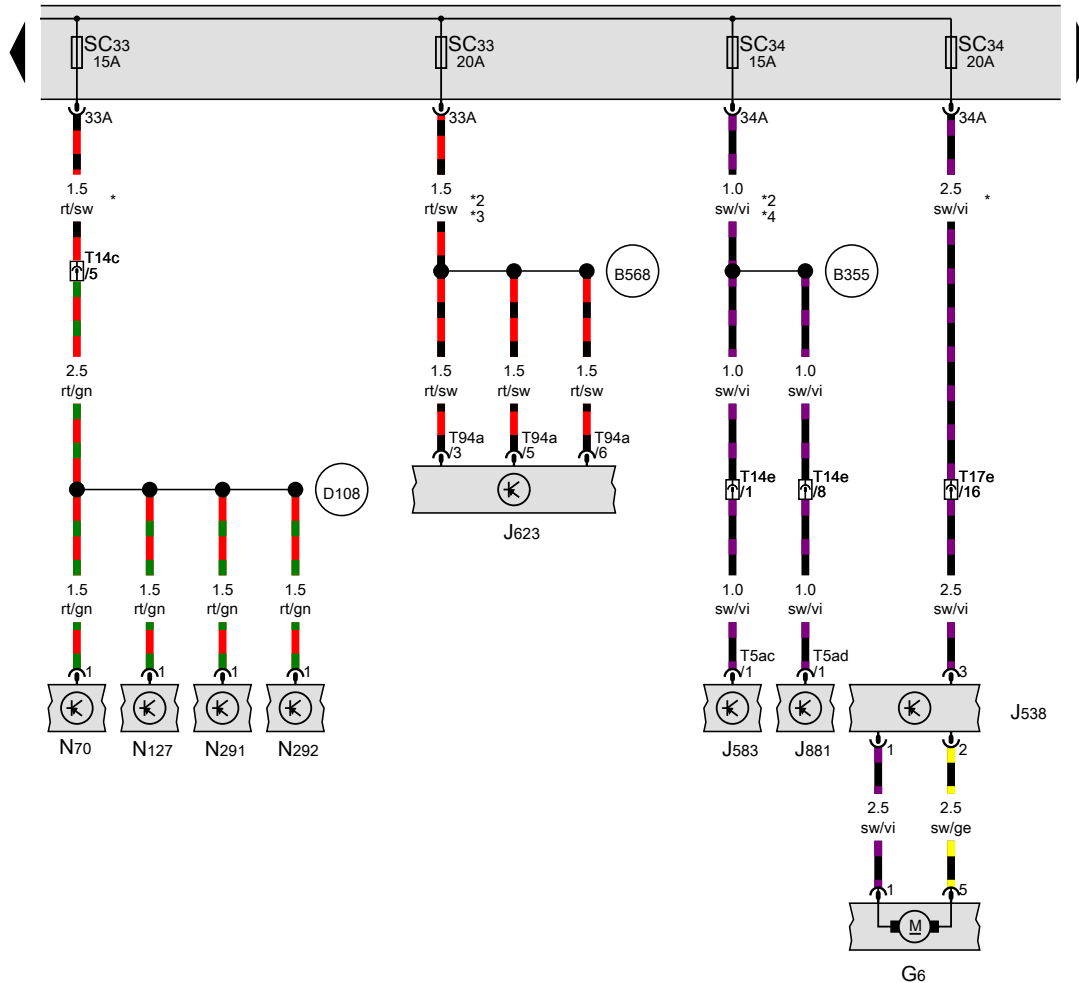
- J623 Engine/motor control unit
- N276 Fuel pressure regulating valve
- N290 Fuel metering valve
- SC25 Fuse 25 on fuse holder C
- SC32 Fuse 32 on fuse holder C
- T10n 10-pin connector, black
- T14c 14-pin connector, grey, near battery
- T94 94-pin connector, black
- V51 Continued coolant circulation pump

-  B465 Connection 1, in main wiring harness
-  B468 Connection 4, in main wiring harness
-  D205 Connection 3 (87a) in engine prewiring harness

- * For models with petrol engine
- *2 For models with diesel engine
- *3 For models with 2.0l engine
- *4 For models with 3.0l engine

- ws = white
- sw = black
- ro = red
- rt = red
- br = brown
- gn = green
- bl = blue
- gr = grey
- li = purple
- vi = purple
- ge = yellow
- or = orange
- rs = pink

Fuse 33 on fuse holder C, Fuse 34 on fuse holder C



- G6 Fuel system pressurisation pump
- J538 Fuel pump control unit, on fuel tank
- J583 Control unit for NOx sender
- J623 Engine/motor control unit
- J881 Control unit for NOx sender 2
- N70 Ignition coil 1 with output stage
- N127 Ignition coil 2 with output stage
- N291 Ignition coil 3 with output stage
- N292 Ignition coil 4 with output stage
- SC33 Fuse 33 on fuse holder C
- SC34 Fuse 34 on fuse holder C
- T5ac 5-pin connector, black
- T5ad 5-pin connector, black
- T14c 14-pin connector, grey, near battery
- T14e 14-pin connector, grey, near right headlight
- T17e 17-pin connector, red, near handbrake lever
- T94a 94-pin connector, black

- B355 Positive connection 6 (87a) in main wiring harness
- B568 Connection 35, in main wiring harness
- D108 Connection 6 in engine compartment wiring harness

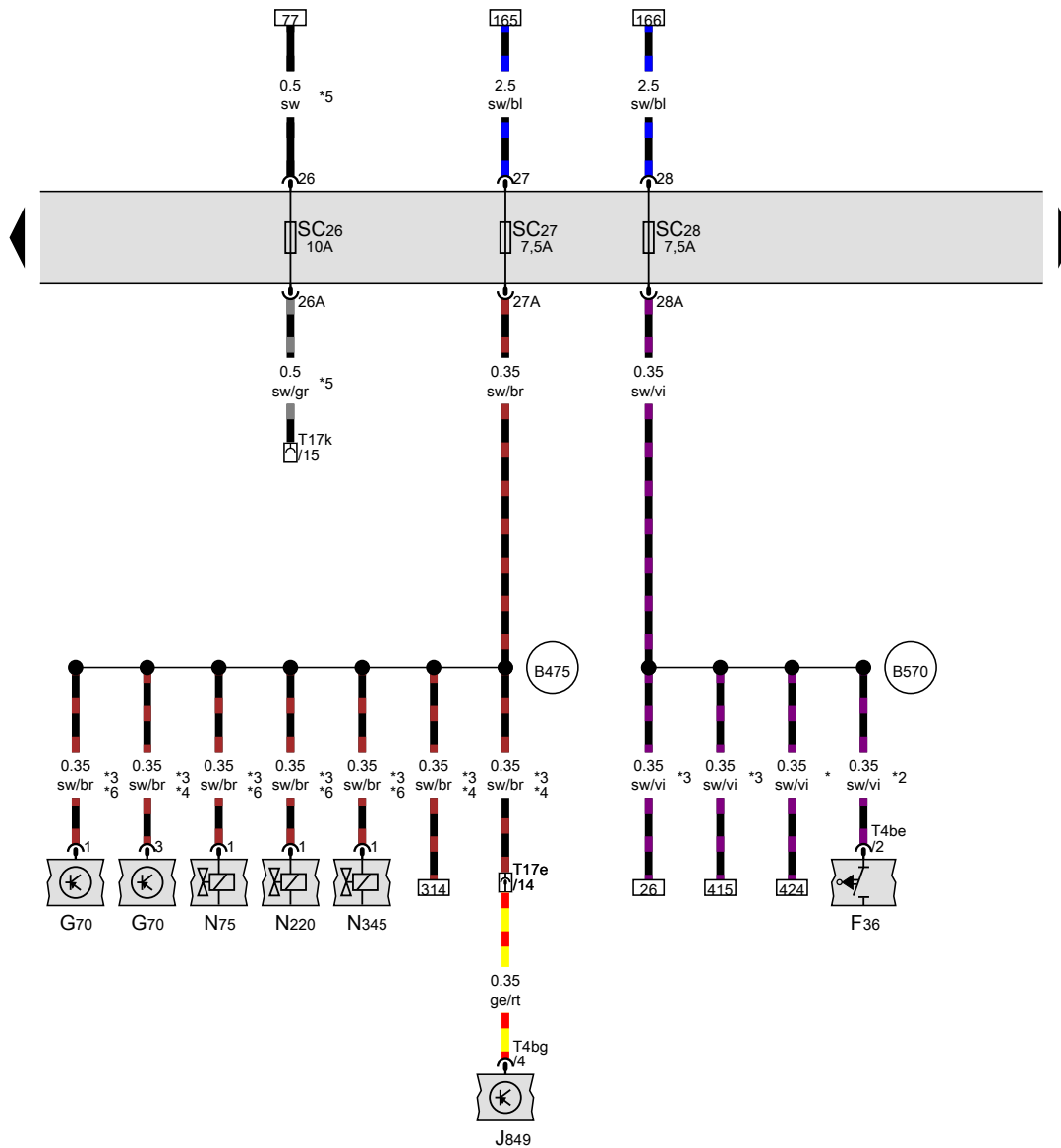
- * For models with petrol engine
- *2 For models with diesel engine
- *3 For models with 2.0l engine
- *4 For models with 3.0l engine

- ws = white
- sw = black
- ro = red
- rt = red
- br = brown
- gn = green
- bl = blue
- gr = grey
- li = purple
- vi = purple
- ge = yellow
- or = orange
- rs = pink

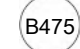
169 170 171 172 173 174 175 176 177 178 179 180 181 182


1560-0591402191

Fuse 26 on fuse holder C, Fuse 27 on fuse holder C, Fuse 28 on fuse holder C



- F36 Clutch pedal switch
- G70 Air mass meter
- J849 Control unit for sensor electronics
- N75 Charge pressure control solenoid valve
- N220 Exhaust flap valve
- N345 Exhaust gas recirculation cooler changeover valve
- SC26 Fuse 26 on fuse holder C
- SC27 Fuse 27 on fuse holder C
- SC28 Fuse 28 on fuse holder C
- T4be 4-pin connector, black
- T4bg 4-pin connector, black
- T17e 17-pin connector, red, near handbrake lever
- T17k 17-pin connector, blue, near driver side A-pillar

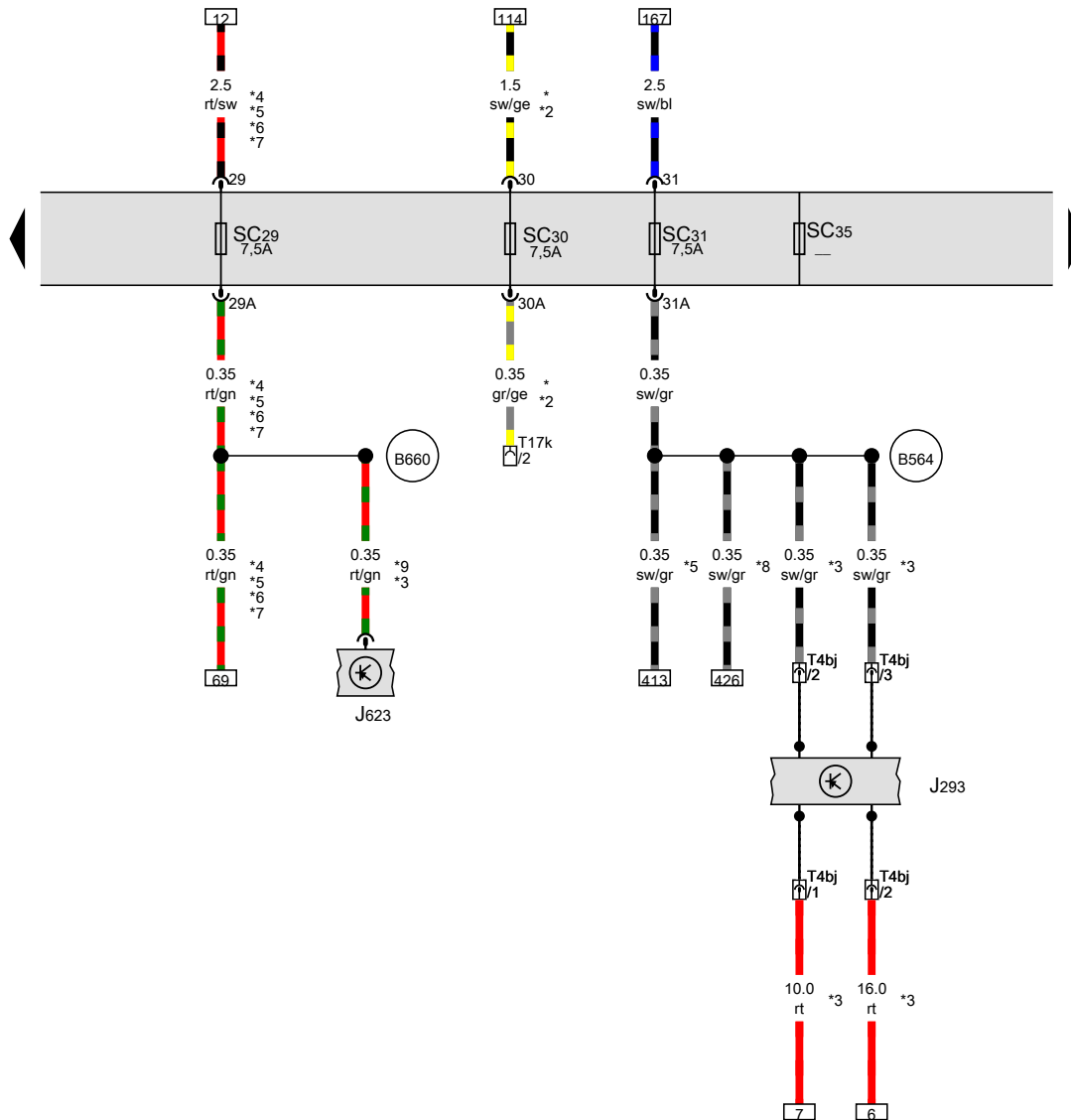
 Connection 11, in main wiring harness

 Connection 37, in main wiring harness

- * For models with petrol engine
- *2 For models with manual gearbox
- *3 For models with diesel engine
- *4 For models with 3.0l engine
- *5 For models with electric interface for external use
- *6 For models with 2.0l engine

- ws = white
- sw = black
- ro = red
- rt = red
- br = brown
- gn = green
- bl = blue
- gr = grey
- li = purple
- vi = purple
- ge = yellow
- or = orange
- rs = pink

Fuse 29 on fuse holder C, Fuse 30 on fuse holder C, Fuse 31 on fuse holder C, Fuse 35 on fuse holder C

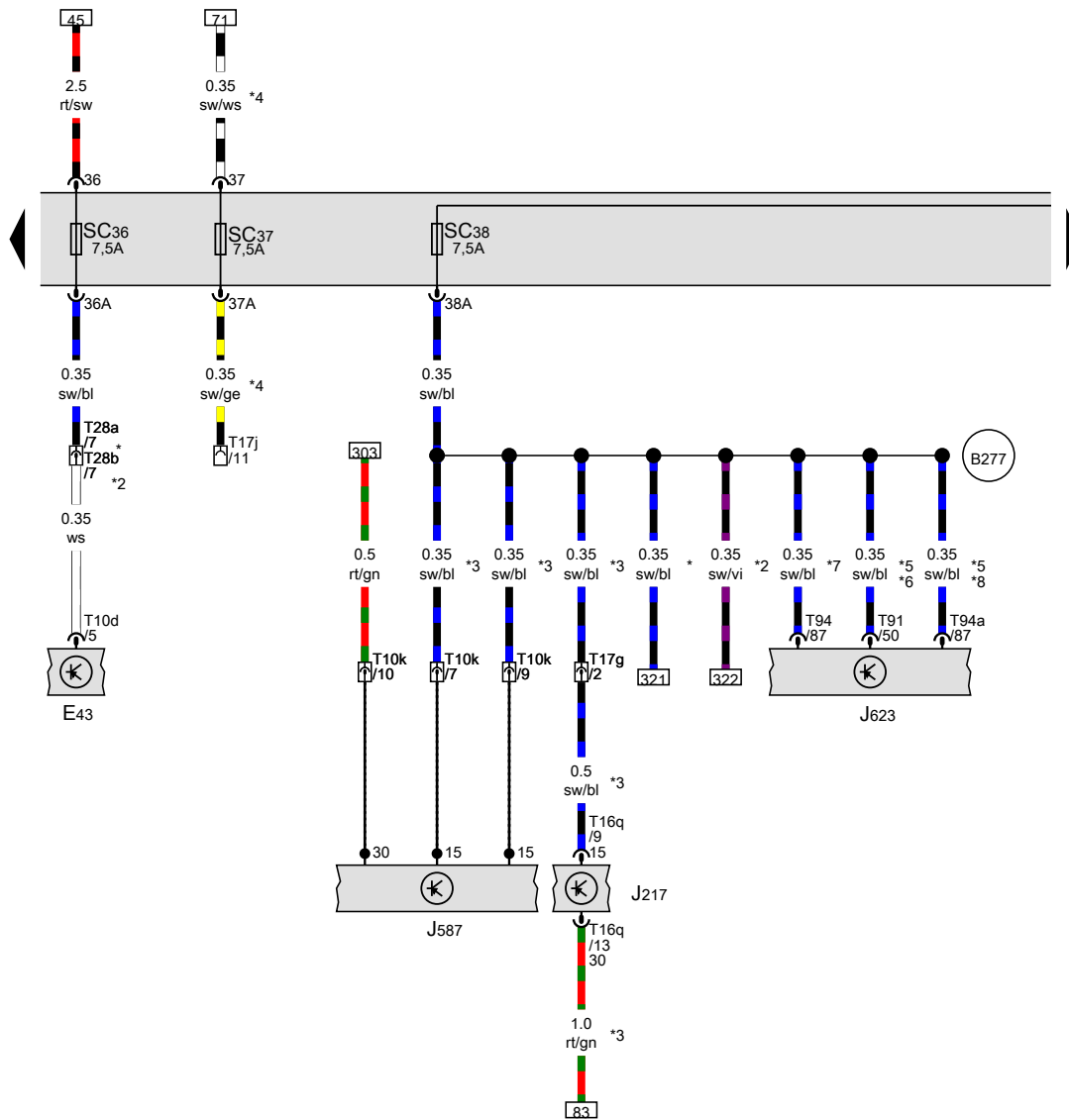


- J293 Radiator fan control unit
- J623 Engine/motor control unit
- SC29 Fuse 29 on fuse holder C
- SC30 Fuse 30 on fuse holder C
- SC31 Fuse 31 on fuse holder C
- SC35 Fuse 35 on fuse holder C
- T4bj 4-pin connector, black, on radiator cowl
- T17k 17-pin connector, blue, near driver side A-pillar
- B564 Connection 31, in main wiring harness
- B660 Connection (diagnosis terminal 50), in main wiring harness

- * For models with fog lights
- *2 For models with electric interface for external use
- *3 see applicable current flow diagram for engine
- *4 For models with 3.0l engine
- *5 For models with diesel engine
- *6 For models with 2.0l engine
- *7 For models with start/stop system
- *8 For models with petrol engine
- *9 According to equipment

- ws = white
- sw = black
- ro = red
- rt = red
- br = brown
- gn = green
- bl = blue
- gr = grey
- li = purple
- vi = purple
- ge = yellow
- or = orange
- rs = pink

Fuse 36 on fuse holder C, Fuse 37 on fuse holder C, Fuse 38 on fuse holder C



- E43 Mirror adjustment switch, in driver door
- J217 Automatic gearbox control unit
- J587 Selector lever sensors control unit
- J623 Engine/motor control unit
- SC36 Fuse 36 on fuse holder C
- SC37 Fuse 37 on fuse holder C
- SC38 Fuse 38 on fuse holder C
- T10d 10-pin connector, black
- T10k 10-pin connector, black
- T16q 16-pin connector, black
- T17g 17-pin connector, black
- T17j 17-pin connector, green, near driver side A-pillar
- T28a 28-pin connector, black, on left A-pillar
- T28b 28-pin connector, black, on right A-pillar
- T91 91-pin connector, black
- T94 94-pin connector, black
- T94a 94-pin connector, black

B277 Positive connection 1 (15a) in main wiring harness

- * For left-hand drive models
- *2 For right-hand drive models
- *3 For models with automatic gearbox
- *4 For models with electric interface for external use
- *5 For models with diesel engine
- *6 For models with 3.0l engine
- *7 For models with petrol engine
- *8 For models with 2.0l engine

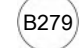


- ws = white
- sw = black
- ro = red
- rt = red
- br = brown
- gn = green
- bl = blue
- gr = grey
- li = purple
- vi = purple
- ge = yellow
- or = orange
- rs = pink

211 212 213 214 215 216 217 218 219 220 221 222 223 224

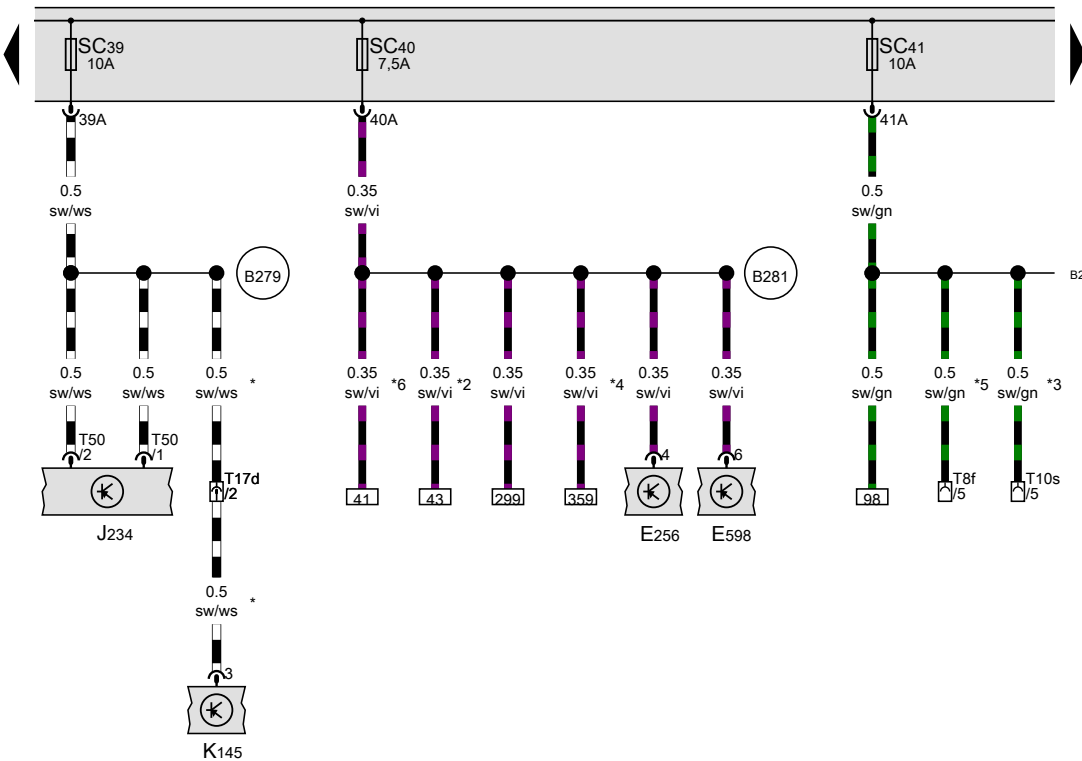
[S60-059170219]

Fuse 39 on fuse holder C, Fuse 40 on fuse holder C, Fuse 41 on fuse holder C

- E256 Button for TCS and electronic stabilisation program
- E598 Driving program button
- J234 Airbag control unit, under centre console
- K145 Warning lamp for airbag deactivated on front passenger side
- SC39 Fuse 39 on fuse holder C
- SC40 Fuse 40 on fuse holder C
- SC41 Fuse 41 on fuse holder C
- T8f 8-pin connector, black
- T10s 10-pin connector, black
- T17d 17-pin connector, green, behind dash panel
- T50 50-pin connector, yellow

-  B279 Positive connection 3 (15a) in main wiring harness
-  B280 Positive connection 4 (15a) in main wiring harness
-  B281 Positive connection 5 (15a) in main wiring harness

- * For models with key-operated switch to deactivate front passenger airbag/side airbag/belt buckle sensor
- *2 For models with no air conditioning system
- *3 For models with provision for side member lighting
- *4 According to equipment
- *5 For models with no provision for side member lighting
- *6 For models with 3.0l engine



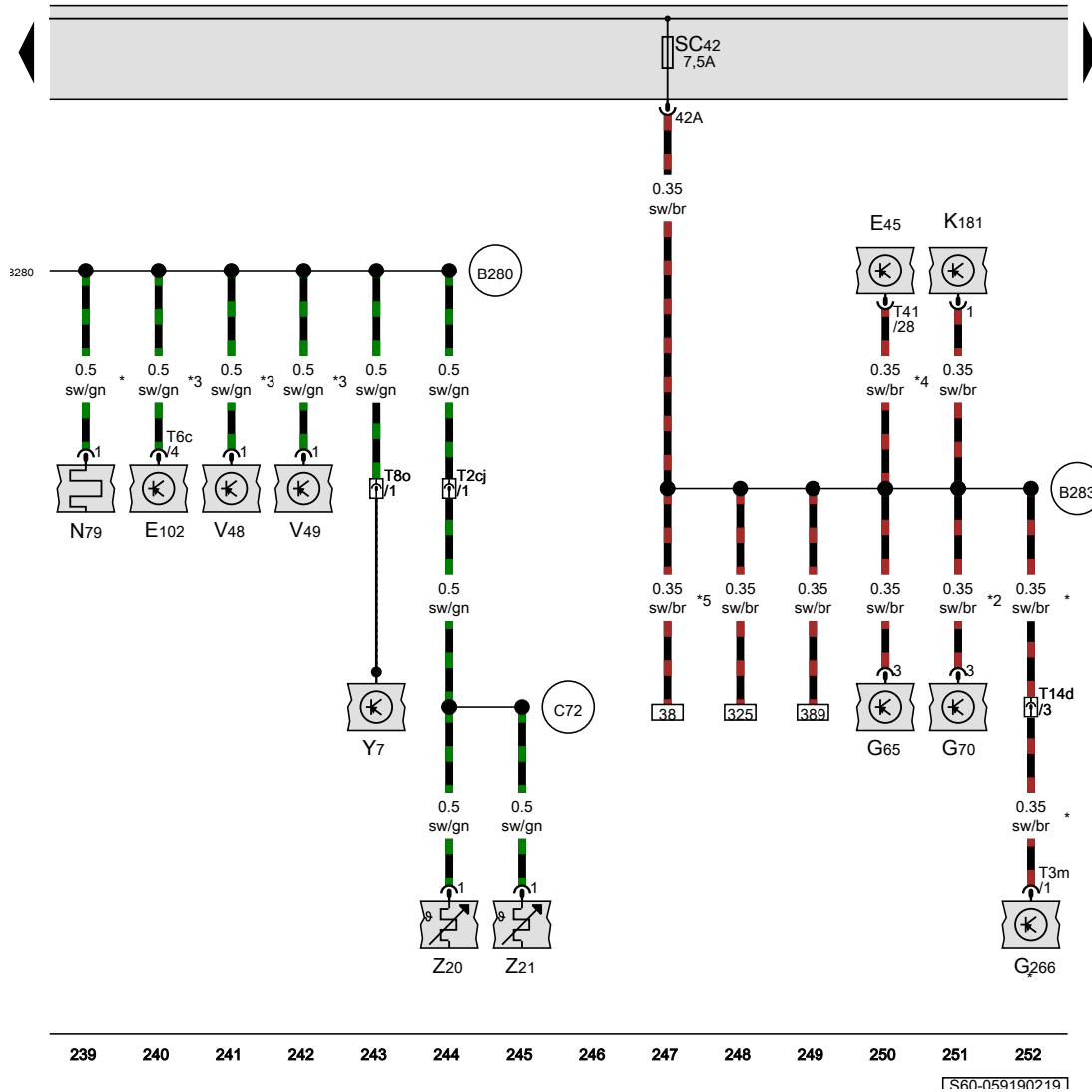
- ws = white
- sw = black
- ro = red
- rt = red
- br = brown
- gn = green
- bl = blue
- gr = grey
- li = purple
- vi = purple
- ge = yellow
- or = orange
- rs = pink

225 226 227 228 229 230 231 232 233 234 235 236 237 238

[S60-059180219]

Fuse 42 on fuse holder C

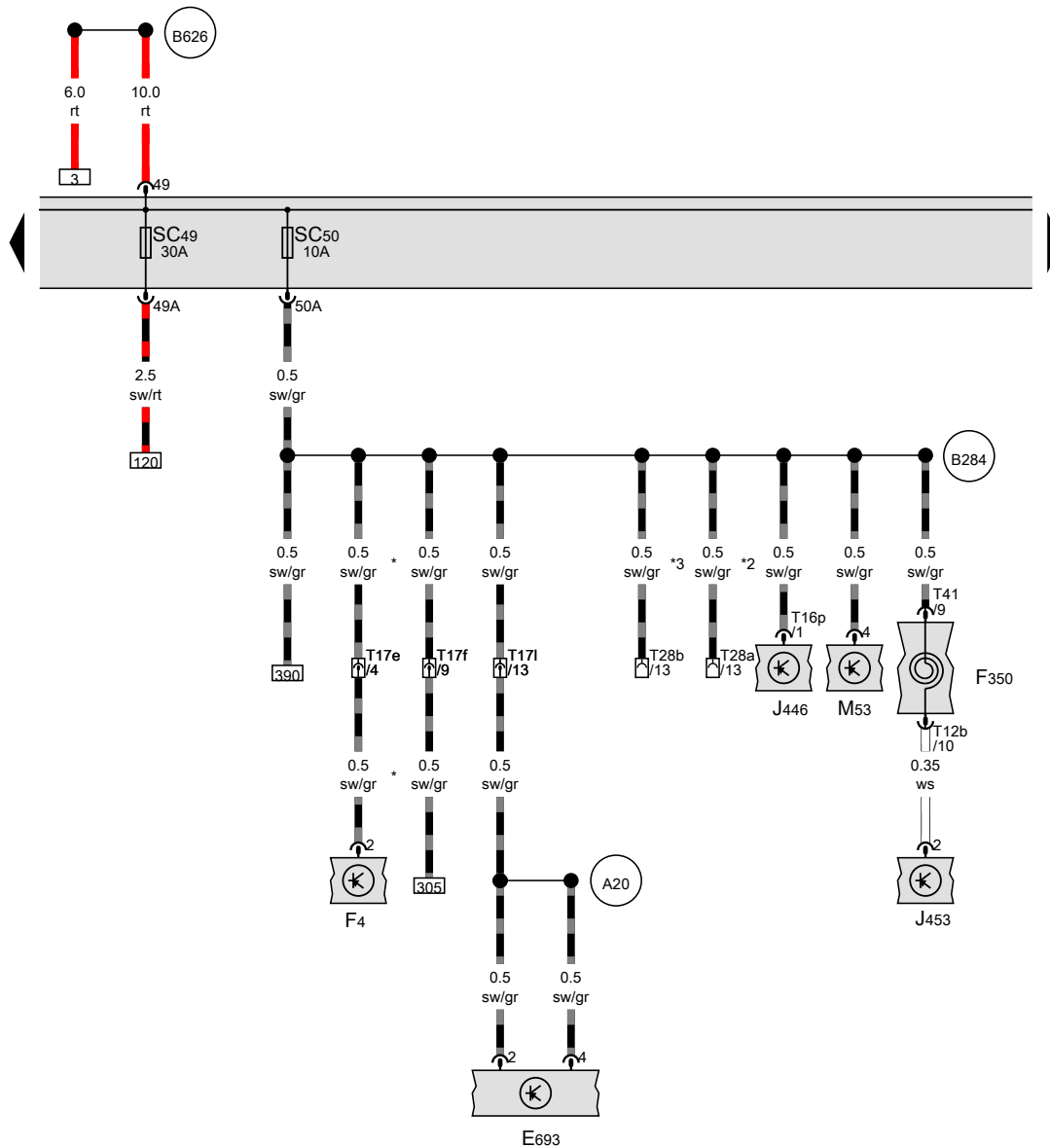
- E45 Cruise control system switch
- E102 Headlight range control regulator
- G65 High-pressure sender
- G70 Air mass meter
- G266 Oil level and oil temperature sender
- K181 Normal operation warning lamp in transfer box operating unit
- N79 Heater element for crankcase breather
- SC42 Fuse 42 on fuse holder C
- T2cj 2-pin connector, black, near window wiper motor
- T3m 3-pin connector, black
- T6c 6-pin connector, black
- T8o 8-pin connector, black, on interior mirror
- T14d 14-pin connector, black, near battery
- T41 41-pin connector, grey
- V48 Left headlight range control motor
- V49 Right headlight range control motor
- Y7 Automatic anti-dazzle interior mirror, on interior mirror
- Z20 Left washer jet heater element
- Z21 Right washer jet heater element



- (B280) Positive connection 4 (15a) in main wiring harness
- (B283) Positive connection 7 (15a) in main wiring harness
- (C72) Positive connection in heated washer jet wiring harness

- * According to equipment
- *2 For models with petrol engine
- *3 For models with headlight range control
- *4 For models with cruise control system (CCS)
- *5 For models with 2.0l engine

- ws = white
- sw = black
- ro = red
- rt = red
- br = brown
- gn = green
- bl = blue
- gr = grey
- li = purple
- vi = purple
- ge = yellow
- or = orange
- rs = pink



Fuse 49 on fuse holder C, Fuse 50 on fuse holder C

- E693 Start/Stop operation button
- F4 Reversing light switch
- F350 Coil connector
- J446 Parking aid control unit
- J453 Multifunction steering wheel control unit
- M53 Load area illumination bulb
- SC49 Fuse 49 on fuse holder C
- SC50 Fuse 50 on fuse holder C
- T12b 12-pin connector, yellow
- T16p 16-pin connector, brown
- T17e 17-pin connector, red, near handbrake lever
- T17f 17-pin connector, blue, near handbrake lever
- T17l 17-pin connector, brown, behind dash panel
- T28a 28-pin connector, black, on left A-pillar
- T28b 28-pin connector, black, on right A-pillar
- T41 41-pin connector, grey

(A20) Positive connection (15a), in dash panel wiring harness

(B284) Positive connection 8 (15a) in main wiring harness

(B626) Positive connection 2 (15), in main wiring harness

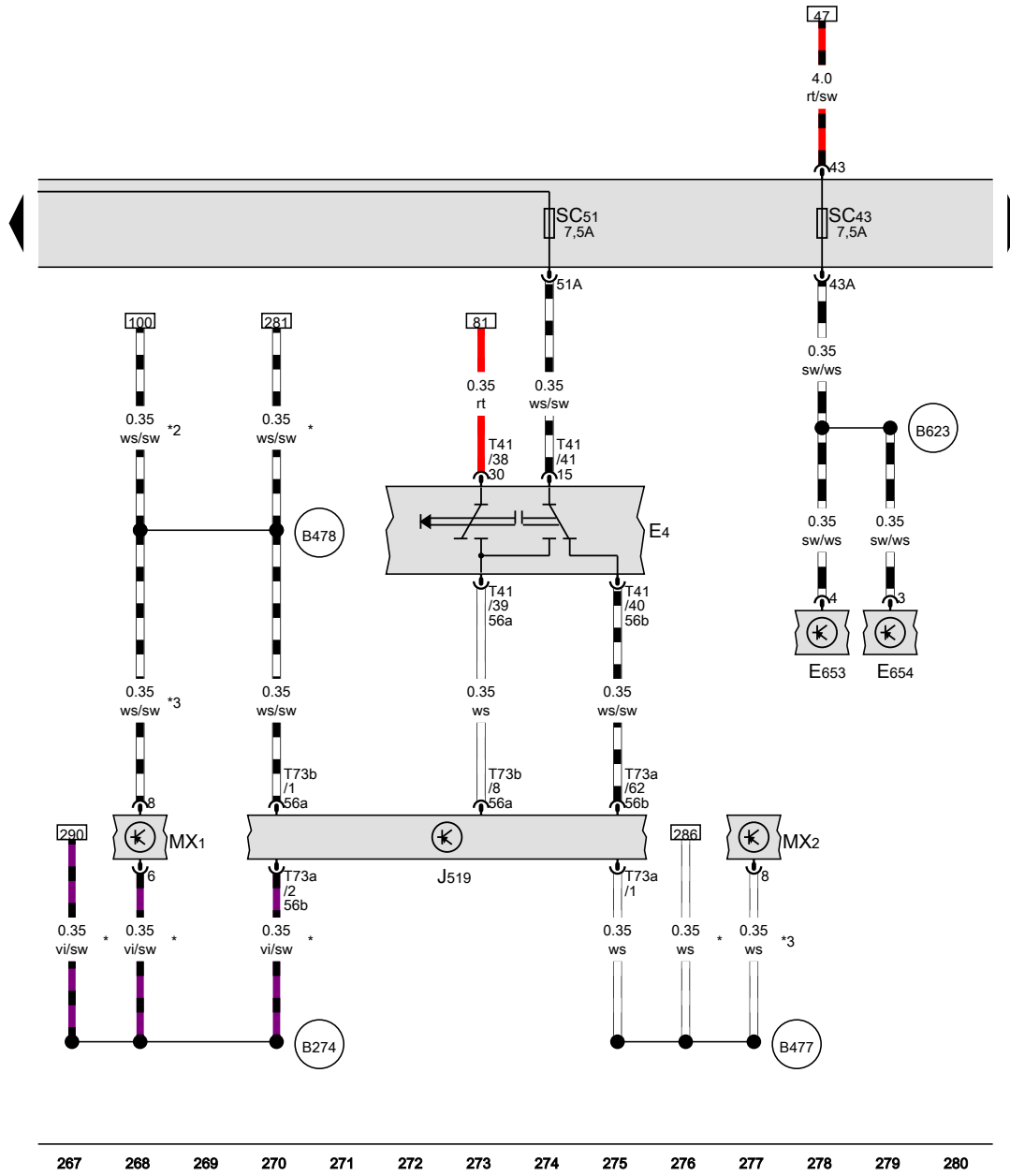
- * For models with manual gearbox
- *2 For right-hand drive models
- *3 For left-hand drive models

- ws = white
- sw = black
- ro = red
- rt = red
- br = brown
- gn = green
- bl = blue
- gr = grey
- li = purple
- vi = purple
- ge = yellow
- or = orange
- rs = pink

253 254 255 256 257 258 259 260 261 262 263 264 265 266

[S60-059200219]

Fuse 43 on fuse holder C, Fuse 51 on fuse holder C

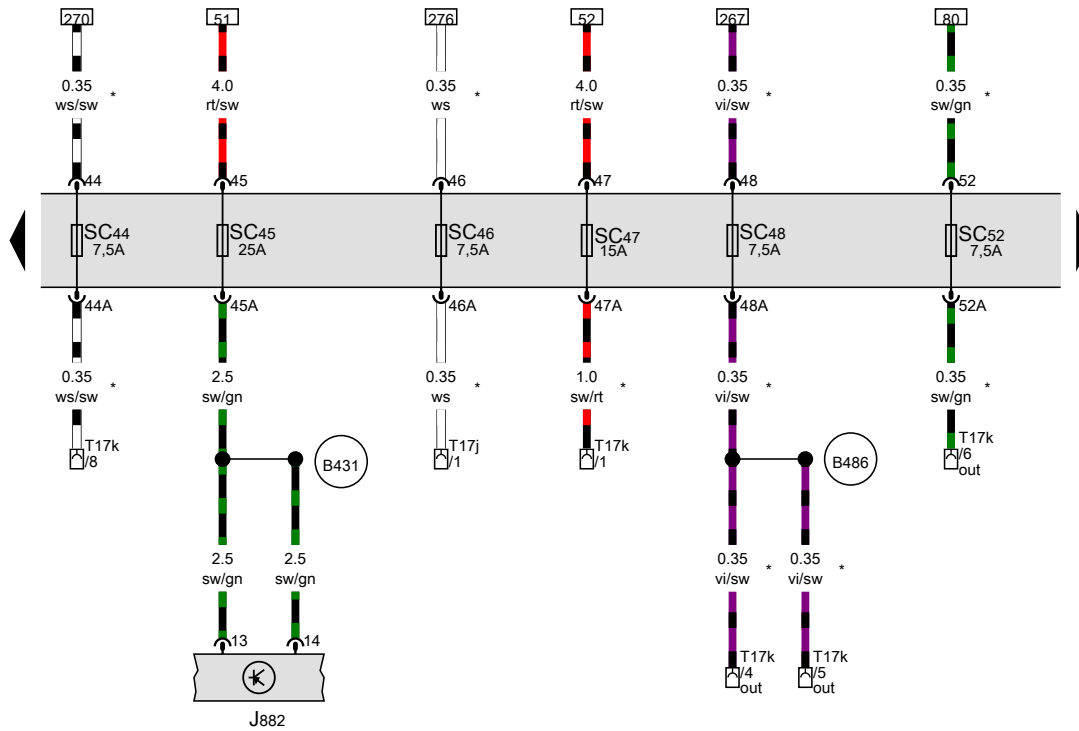


- E4 Headlight dipper and flasher switch
- E653 Button for left seat heating
- E654 Button for right seat heating
- J519 Onboard supply control unit
- MX1 Front left headlight
- MX2 Front right headlight
- SC43 Fuse 43 on fuse holder C
- SC51 Fuse 51 on fuse holder C
- T41 41-pin connector, grey
- T73a 73-pin connector, black
- T73b 73-pin connector, colourless
- B274 Positive connection (58L), in main wiring harness
- B477 Connection 13, in main wiring harness
- B478 Connection 14, in main wiring harness
- B623 Connection 1 (75x), in main wiring harness
- * For models with electric interface for external use
- *2 For models with auxiliary lights
- *3 For models with no auxiliary lights

ws = white
 sw = black
 ro = red
 rt = red
 br = brown
 gn = green
 bl = blue
 gr = grey
 li = purple
 vi = purple
 ge = yellow
 or = orange
 rs = pink

[S60-059210219]

Fuse 44 on fuse holder C, Fuse 45 on fuse holder C, Fuse 46 on fuse holder C, Fuse 47 on fuse holder C, Fuse 48 on fuse holder C, Fuse 52 on fuse holder C



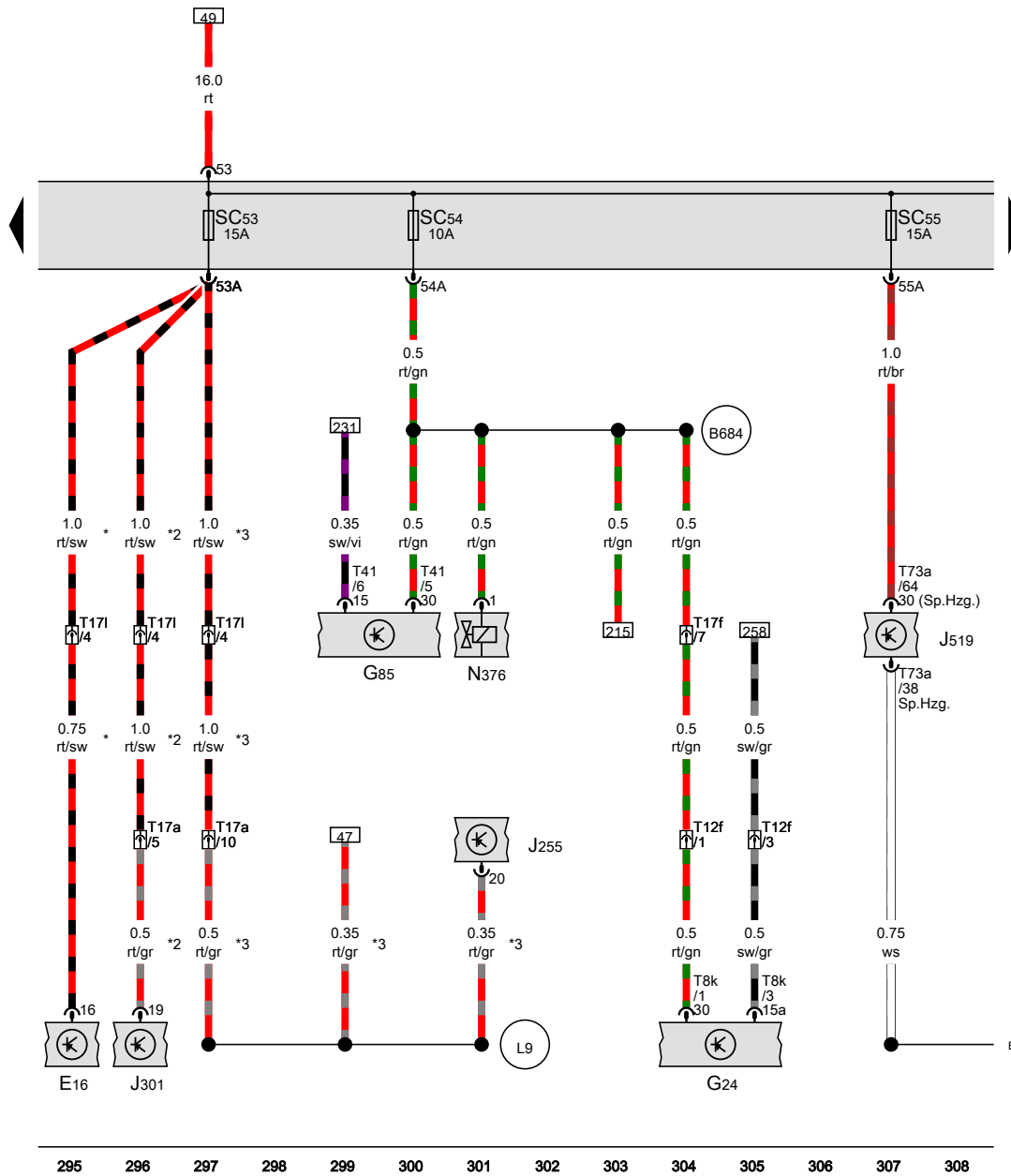
- J882 Seat heating control unit
- SC44 Fuse 44 on fuse holder C
- SC45 Fuse 45 on fuse holder C
- SC46 Fuse 46 on fuse holder C
- SC47 Fuse 47 on fuse holder C
- SC48 Fuse 48 on fuse holder C
- SC52 Fuse 52 on fuse holder C
- T17j 17-pin connector, green, near driver side A-pillar
- T17k 17-pin connector, blue, near driver side A-pillar
- (B431) Connection (seat heating), in main wiring harness
- (B486) Connection 22, in main wiring harness
- * For models with electric interface for external use

- ws = white
- sw = black
- ro = red
- rt = red
- br = brown
- gn = green
- bl = blue
- gr = grey
- li = purple
- vi = purple
- ge = yellow
- or = orange
- rs = pink

281 282 283 284 285 286 287 288 289 290 291 292 293 294

[S60-059220219]

Fuse 53 on fuse holder C, Fuse 54 on fuse holder C, Fuse 55 on fuse holder C

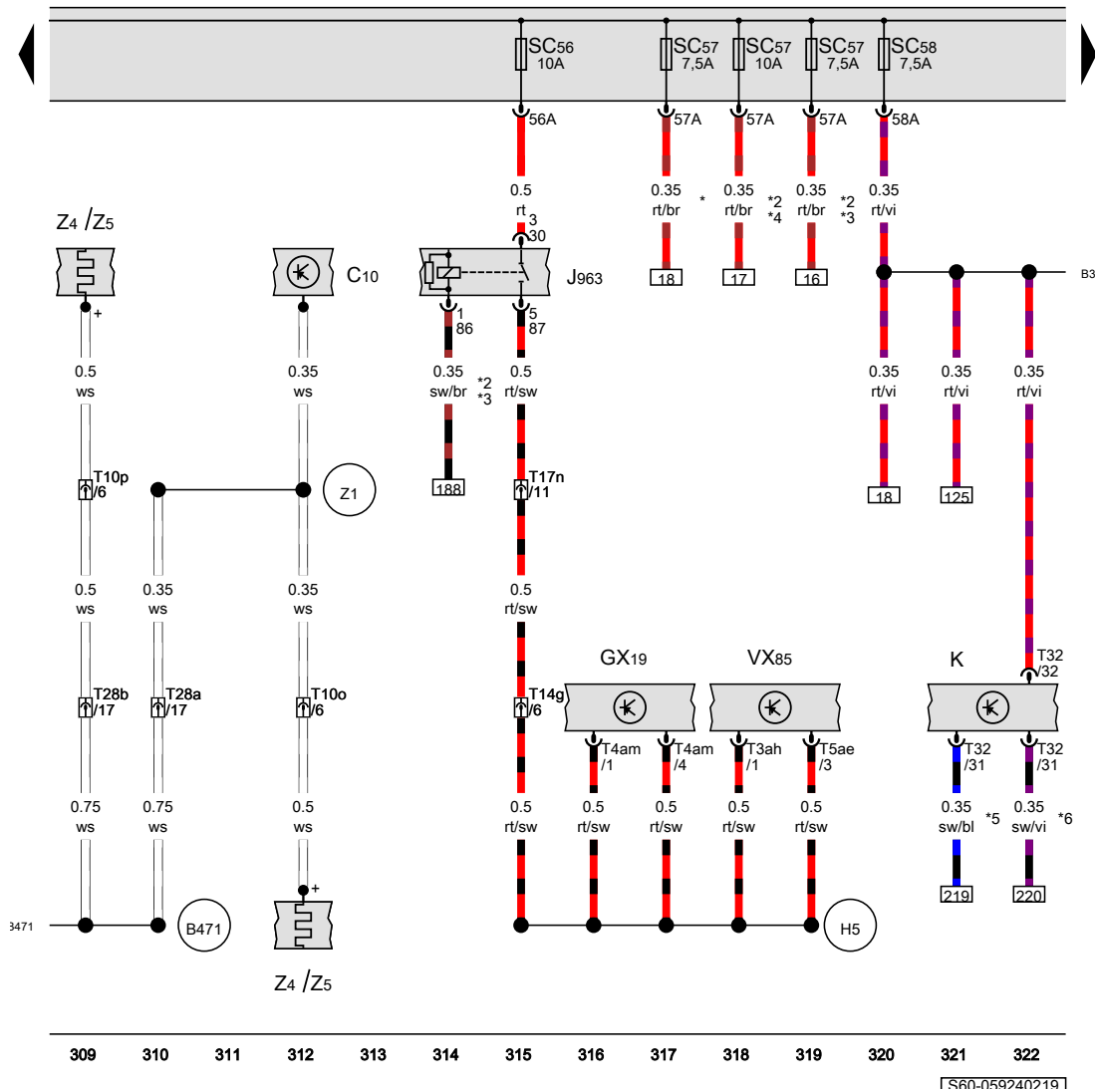


- E16 Heater/heat output switch
- G24 Tachograph
- G85 Steering angle sender
- J255 Climatronic control unit, in centre of dash panel
- J301 Air conditioning system control unit
- J519 Onboard supply control unit, near driver side A-pillar
- N376 Ignition key withdrawal lock solenoid
- SC53 Fuse 53 on fuse holder C
- SC54 Fuse 54 on fuse holder C
- SC55 Fuse 55 on fuse holder C
- T8k 8-pin connector, colourless
- T12f 12-pin connector, black
- T17a 17-pin connector, black
- T17f 17-pin connector, blue, near handbrake lever
- T171 17-pin connector, brown, behind dash panel
- T41 41-pin connector, grey
- T73a 73-pin connector, black
- (B471) Connection 7, in main wiring harness
- (B684) Positive connection 24 (30a) in main wiring harness
- (L9) Connection 1, in air conditioning system wiring harness
- * For models with no air conditioning system/Climatronic
- *2 For models with Climatronic
- *3 For models with Climatronic

- ws = white
- sw = black
- ro = red
- rt = red
- br = brown
- gn = green
- bl = blue
- gr = grey
- li = purple
- vi = purple
- ge = yellow
- or = orange
- rs = pink

1560-059230219

Delivery unit for reducing agent metering system, Fuse 56 on fuse holder C, Fuse 57 on fuse holder C, Fuse 58 on fuse holder C, Reducing agent tank

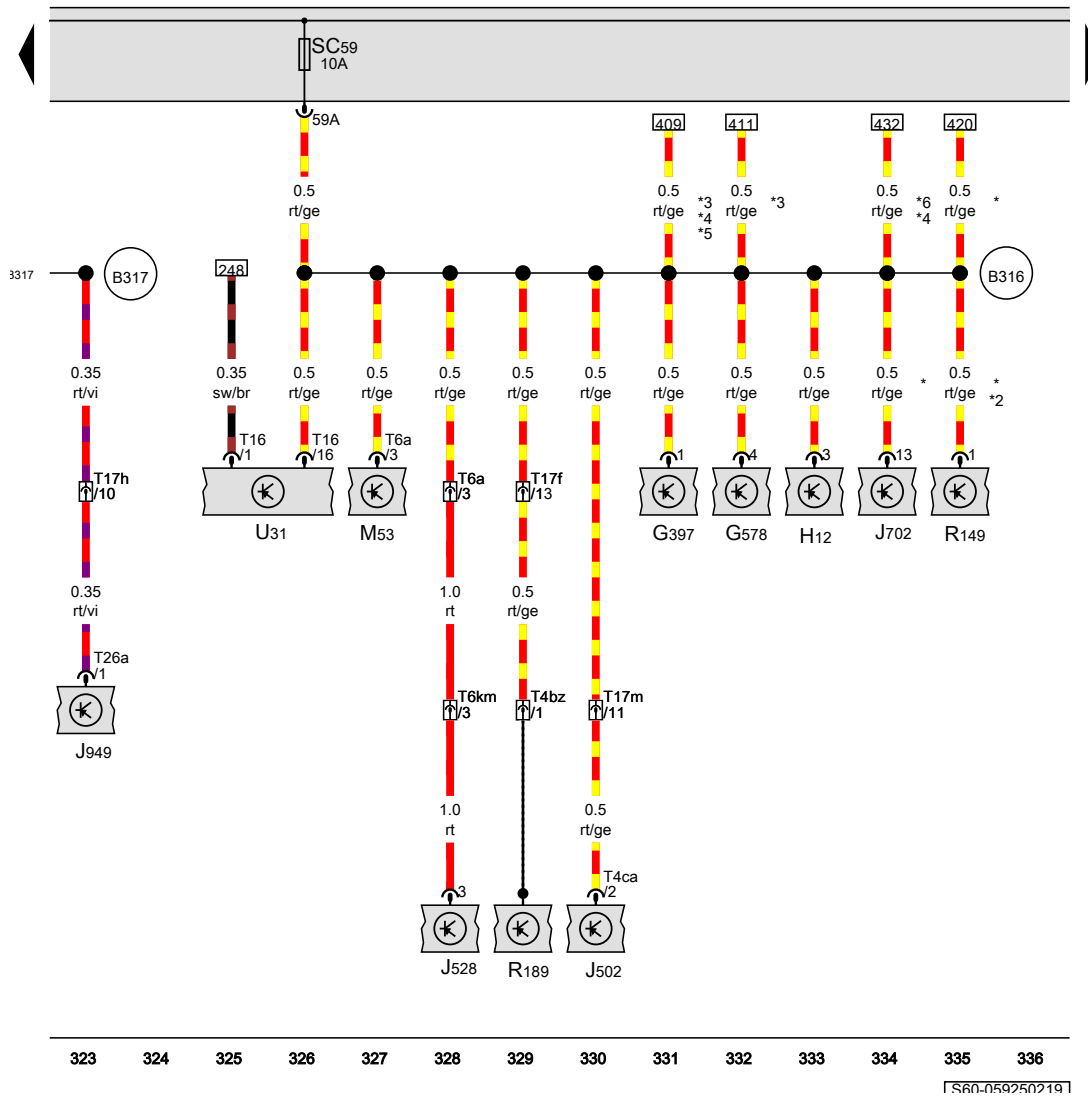


- C10 Suppression filter, in left door
- GX19 Delivery unit for reducing agent metering system, on reducing-agent tank
- J963 Relay for reducing agent metering system
- K Dash panel insert
- SC56 Fuse 56 on fuse holder C
- SC57 Fuse 57 on fuse holder C
- SC58 Fuse 58 on fuse holder C
- T3ah 3-pin connector, black
- T4am 4-pin connector, black
- T5ae 5-pin connector, black
- T10o 10-pin connector, black
- T10p 10-pin connector, black
- T14g 14-pin connector, grey, rear
- T17n 17-pin connector, green, near handbrake lever
- T28a 28-pin connector, black, on left A-pillar
- T28b 28-pin connector, black, on right A-pillar
- T32 32-pin connector, blue
- VX85 Reducing agent tank
- Z4 Heated exterior mirror on driver side
- Z5 Heated exterior mirror on passenger side
- B317 Positive connection 3 (30a) in main wiring harness
- B471 Connection 7, in main wiring harness
- H5 Connection 3 in wiring harness for reducing agent tank
- Z1 Connection 1, in mirror adjustment/heating wiring harness
- * For models with petrol engine
- *2 For models with diesel engine
- *3 For models with 3.0l engine
- *4 For models with 2.0l engine
- *5 For left-hand drive models
- *6 For right-hand drive models

ws = white
 ro = red
 rt = red
 br = brown
 gn = green
 bl = blue
 gr = grey
 li = purple
 vi = purple
 ge = yellow
 or = orange
 rs = pink

1S6N-0592402191

Emergency call module control unit and communication unit, Fuse 59 on fuse holder C



- G397 Rain and light sensor
- G578 Anti-theft alarm sensor
- H12 Alarm horn
- J502 Tyre Pressure Monitoring System control unit
- J528 Roof electronics control unit
- J702 Roof display unit, near interior mirror
- J949 Emergency call module control unit and communication unit
- M53 Load area illumination bulb
- R149 Remote control receiver for auxiliary coolant heater
- R189 Reversing camera
- SC59 Fuse 59 on fuse holder C
- T4bz 4-pin connector, black, on longitudinal member, rear, left
- T4ca 4-pin connector, grey
- T6a 6-pin connector, black, on rear roof module
- T6km 6-pin connector, black
- T16 16-pin connector, black
- T17f 17-pin connector, blue, near handbrake lever
- T17h 17-pin connector, blue, behind dash panel
- T17m 17-pin connector, brown, near handbrake lever
- T26a 26-pin connector, black
- U31 Diagnostic connection, near lower part of right A-pillar

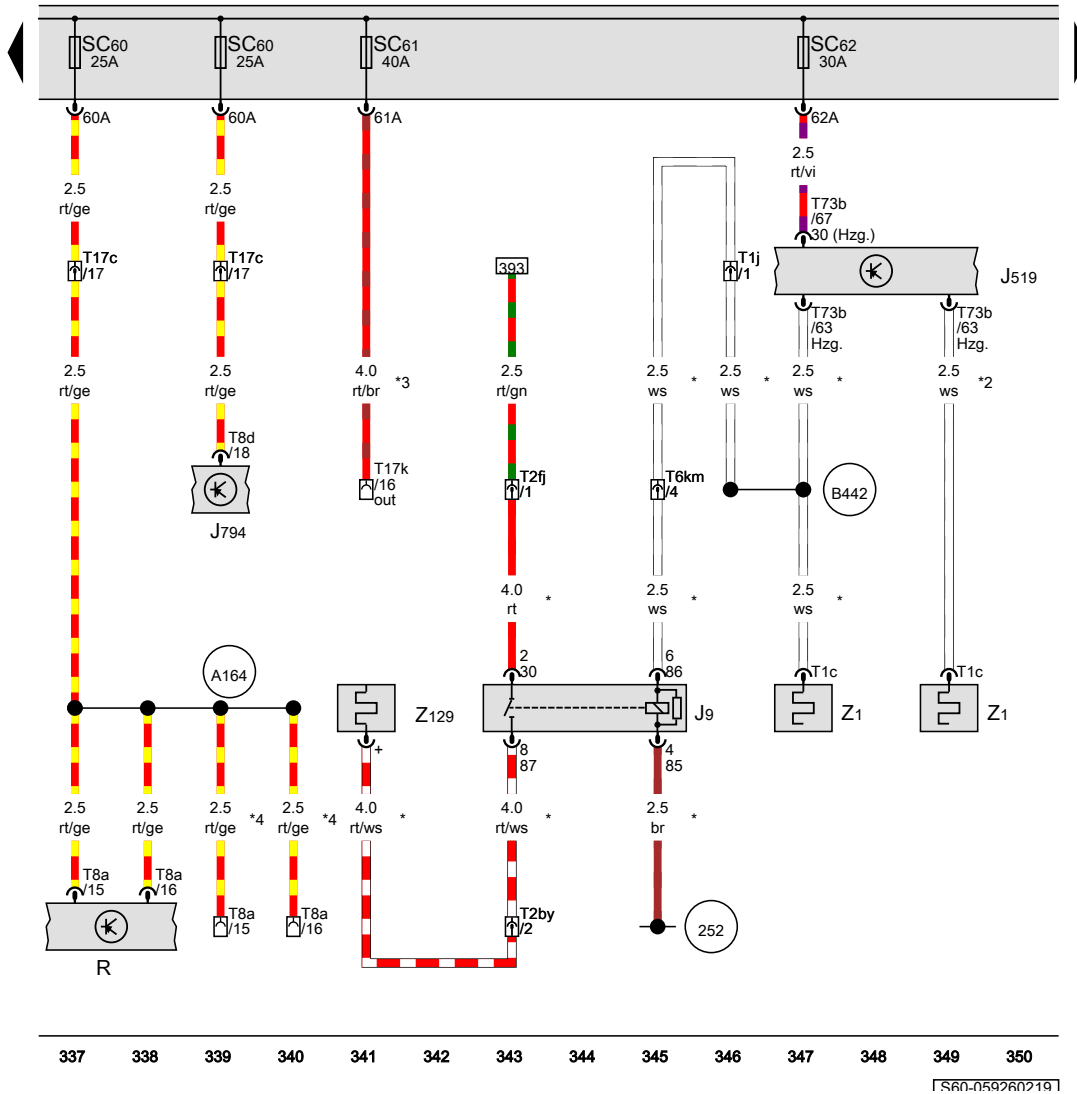
- B316** Positive connection 2 (30a) in main wiring harness
- B317** Positive connection 3 (30a) in main wiring harness
- * Only models with auxiliary coolant heater
- *2 For models with remote control receiver for auxiliary coolant heater
- *3 For models with diesel engine
- *4 For models with Climatronic
- *5 For models with Climatic
- *6 For models with petrol engine

- ws = white
- sw = black
- ro = red
- rt = red
- br = brown
- gn = green
- bl = blue
- gr = grey
- li = purple
- vi = purple
- ge = yellow
- or = orange
- rs = pink

1560-059250219

Heated rear window relay, Fuse 60 on fuse holder C, Fuse 61 on fuse holder C, Fuse 62 on fuse holder C

- J9 Heated rear window relay, near rear lid, behind moulded headliner
 - J519 Onboard supply control unit
 - J794 Control unit 1 for information electronics
 - R Radio
 - SC60 Fuse 60 on fuse holder C
 - SC61 Fuse 61 on fuse holder C
 - SC62 Fuse 62 on fuse holder C
 - T1c 1-pin connector, black
 - T1j 1-pin connector, black, on rear roof module
 - T2by 2-pin connector, black, Coupling point for rear lid
 - T2fj 2-pin connector, brown, on cross panel, rear, left
 - T6km 6-pin connector, black
 - T8a 8-pin connector, black
 - T8d 8-pin connector, black
 - T17c 17-pin connector, white, behind dash panel
 - T17k 17-pin connector, blue, near driver side A-pillar
 - T73b 73-pin connector, colourless
 - Z1 Heated rear window
 - Z129 Heated rear window for hardtop, in rear lid
- (252) Earth connection, in optional equipment wiring harness
 - (A164) Positive connection 2 (30a) in dash panel wiring harness
 - (B442) Connection 1 (rear window), in main wiring harness
- * For models with hardtop
 - *2 For models with no hardtop
 - *3 For models with electric interface for external use
 - *4 For models with preparation for radio




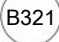
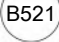
- ws = white
- sw = black
- ro = red
- rt = red
- br = brown
- gn = green
- bl = blue
- gr = grey
- li = purple
- vi = purple
- ge = yellow
- or = orange
- rs = pink

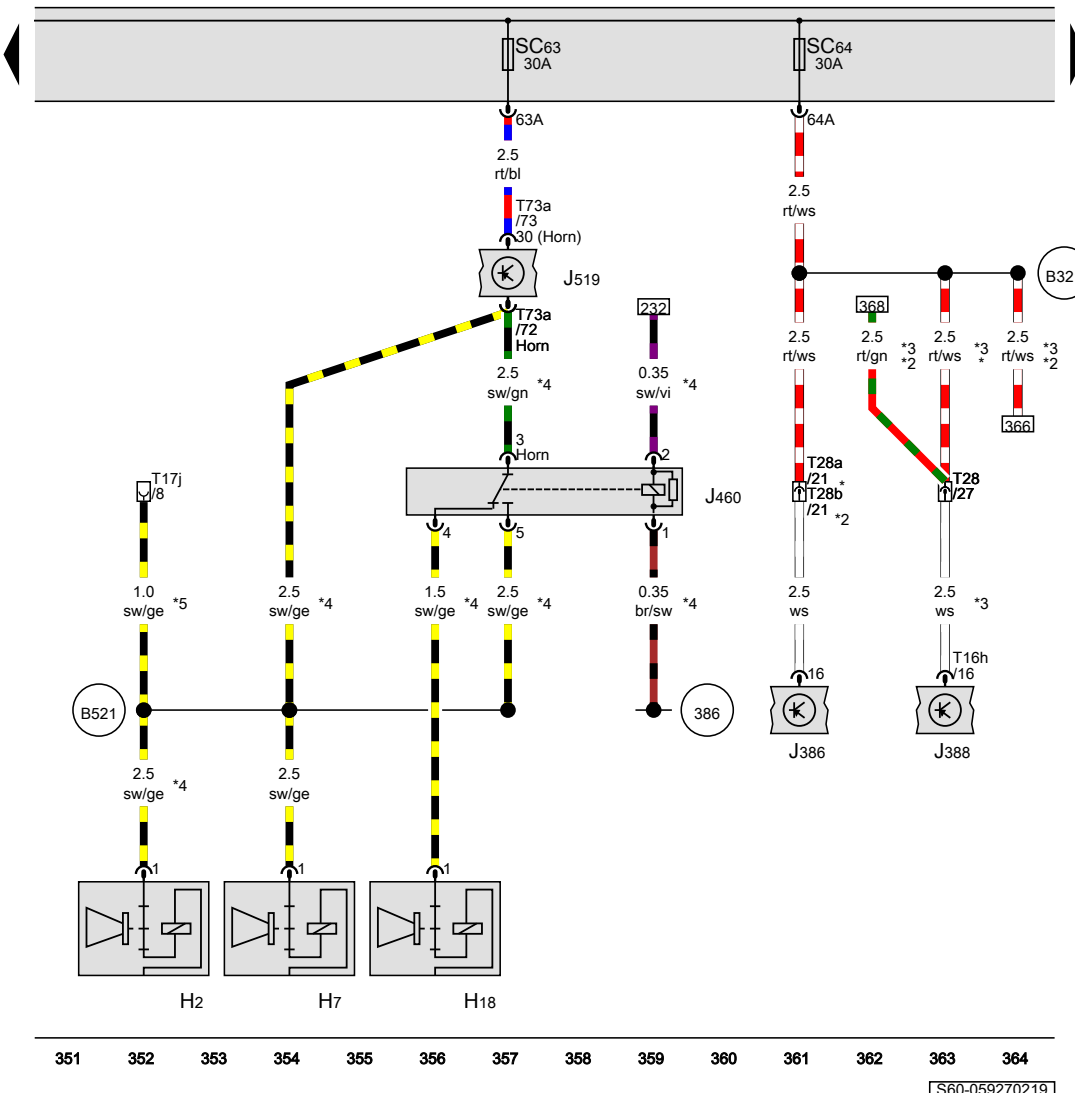
337 338 339 340 341 342 343 344 345 346 347 348 349 350

1S60-0592602191

Alarm system relay 1, Fuse 63 on fuse holder C, Fuse 64 on fuse holder C

- H2 Treble horn
- H7 Bass horn
- H18 Alarm system horn
- J386 Driver door control unit
- J388 Rear left door control unit
- J460 Alarm system relay 1
- J519 Onboard supply control unit
- SC63 Fuse 63 on fuse holder C
- SC64 Fuse 64 on fuse holder C
- T17h 16-pin connector, black
- T17j 17-pin connector, green, near driver side A-pillar
- T28 28-pin connector, black, on left B-pillar
- T28a 28-pin connector, black, on left A-pillar
- T28b 28-pin connector, black, on right A-pillar
- T73a 73-pin connector, black

-  386 Earth connection 21, in main wiring harness
-  B321 Positive connection 7 (30a) in main wiring harness
-  B521 Connection (dual tone horn), in main wiring harness
- * For left-hand drive models
- *2 For right-hand drive models
- *3 For models with double cab
- *4 According to equipment
- *5 For models with electric interface for external use





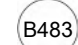


- ws = white
- sw = black
- ro = red
- rt = red
- br = brown
- gn = green
- bl = blue
- gr = grey
- li = purple
- vi = purple
- ge = yellow
- or = orange
- rs = pink

[S60-059270219]

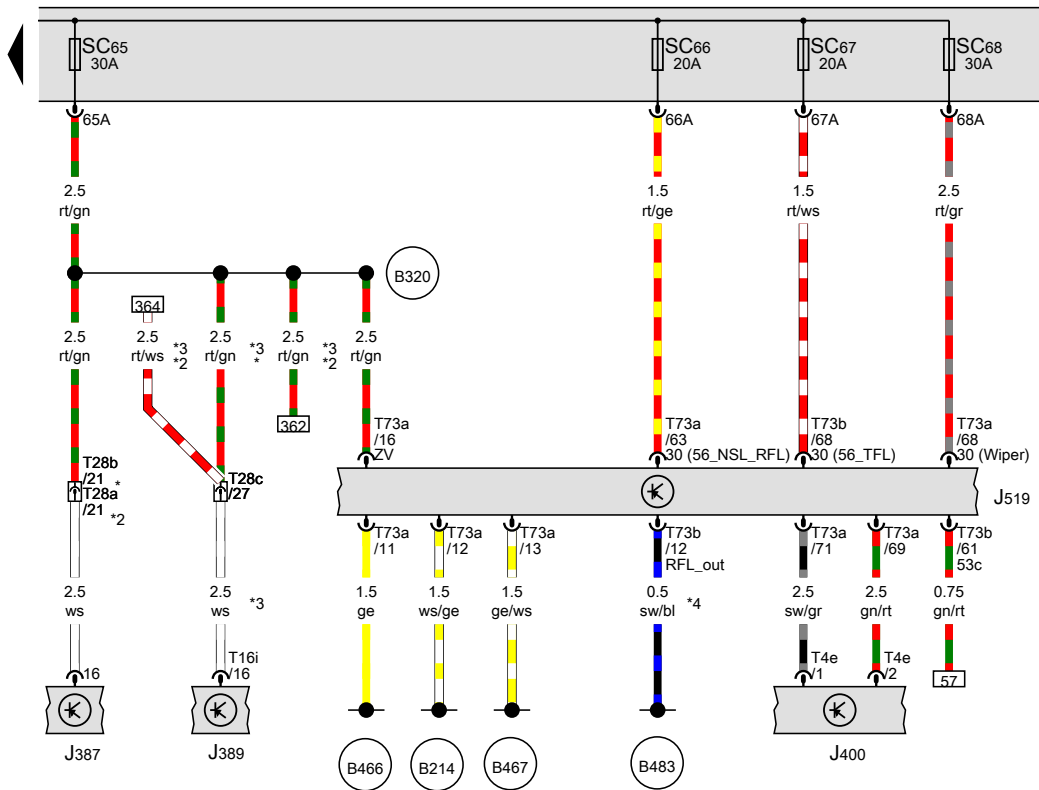
Fuse 65 on fuse holder C, Fuse 66 on fuse holder C, Fuse 67 on fuse holder C, Fuse 68 on fuse holder C

- J387 Front passenger door control unit
- J389 Rear right door control unit
- J400 Wiper motor control unit
- J519 Onboard supply control unit
- SC65 Fuse 65 on fuse holder C
- SC66 Fuse 66 on fuse holder C
- SC67 Fuse 67 on fuse holder C
- SC68 Fuse 68 on fuse holder C
- T4e 4-pin connector, black
- T16i 16-pin connector, black
- T28a 28-pin connector, black, on left A-pillar
- T28b 28-pin connector, black, on right A-pillar
- T28c 28-pin connector, black, on right B-pillar
- T73a 73-pin connector, black
- T73b 73-pin connector, colourless

-  B214 Connection 1 (central locking), in interior wiring harness
-  B320 Positive connection 6 (30a) in main wiring harness
-  B466 Connection 2, in main wiring harness
-  B467 Connection 3, in main wiring harness
-  B483 Connection 19, in main wiring harness

- * For left-hand drive models
- *2 For right-hand drive models
- *3 For models with double cab
- *4 see applicable current flow diagram for exterior lighting

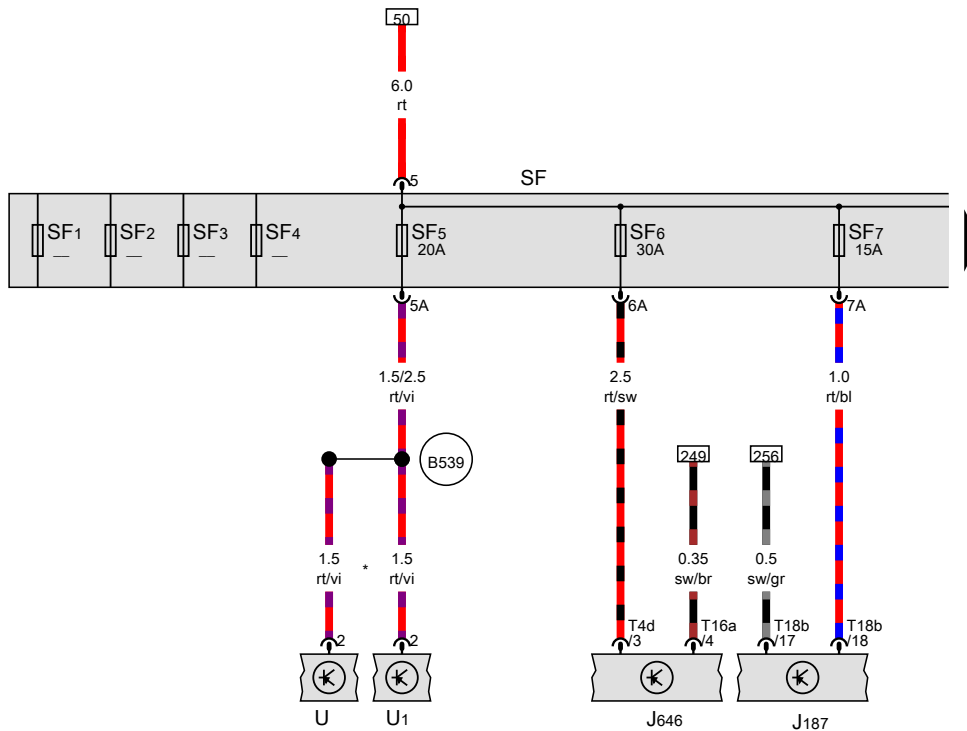
- ws = white
- sw = black
- ro = red
- rt = red
- br = brown
- gn = green
- bl = blue
- gr = grey
- li = purple
- vi = purple
- ge = yellow
- or = orange
- rs = pink



365 366 367 368 369 370 371 372 373 374 375 376 377 378

[S60-059280219]

Fuse 1 in fuse holder F, Fuse 2 in fuse holder F, Fuse 3 in fuse holder F, Fuse 4 in fuse holder F, Fuse 5 in fuse holder F, Fuse 6 in fuse holder F, Fuse 7 in fuse holder F



- J187 Differential lock control unit
- J646 Transfer box control unit
- SF Fuse holder F
- SF1 Fuse 1 in fuse holder F
- SF2 Fuse 2 in fuse holder F
- SF3 Fuse 3 in fuse holder F
- SF4 Fuse 4 in fuse holder F
- SF5 Fuse 5 in fuse holder F
- SF6 Fuse 6 in fuse holder F
- SF7 Fuse 7 in fuse holder F
- T4d 4-pin connector, brown
- T16a 16-pin connector, brown
- T18b 18-pin connector, black
- U Electric socket, on centre console switch module
- U1 Cigarette lighter, on centre console switch module

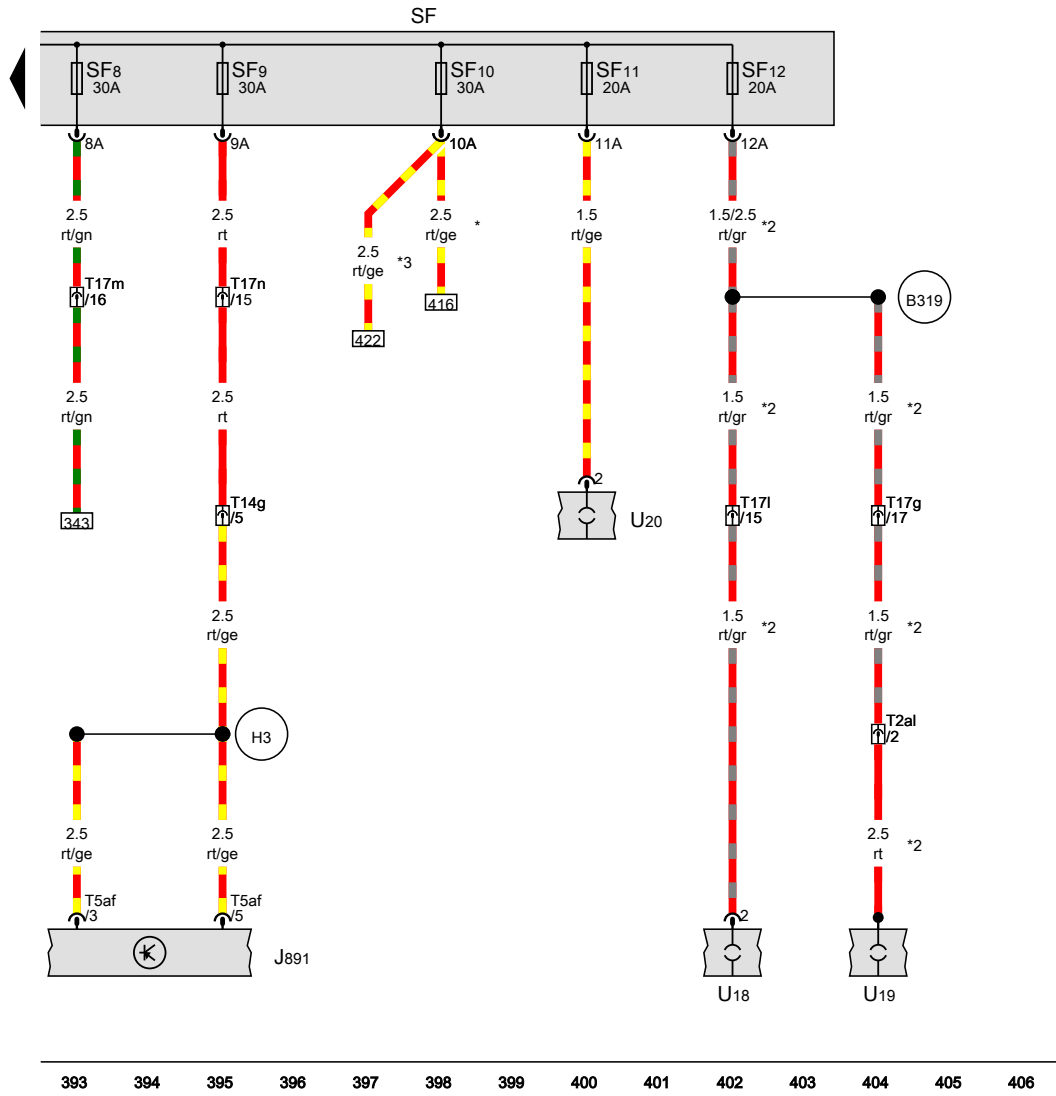
B539 Connection 30, in main wiring harness

* For models with 12 V socket

- ws = white
- sw = black
- ro = red
- rt = red
- br = brown
- gn = green
- bl = blue
- gr = grey
- li = purple
- vi = purple
- ge = yellow
- or = orange
- rs = pink

Fuse 8 in fuse holder F, Fuse 9 in fuse holder F, Fuse 10 in fuse holder F, Fuse 11 in fuse holder F, Fuse 12 in fuse holder F

- J891 Control unit for reducing agent heater
- SF Fuse holder F
- SF8 Fuse 8 in fuse holder F
- SF9 Fuse 9 in fuse holder F
- SF10 Fuse 10 in fuse holder F
- SF11 Fuse 11 in fuse holder F
- SF12 Fuse 12 in fuse holder F
- T2al 2-pin connector, black, Interface for rear left socket, on wheel housing
- T5af 5-pin connector, colourless
- T14g 14-pin connector, grey, rear
- T17g 17-pin connector, black
- T17l 17-pin connector, brown, behind dash panel
- T17m 17-pin connector, brown, near handbrake lever
- T17n 17-pin connector, green, near handbrake lever
- U18 12 V socket 2, in centre of dash panel, in storage compartment
- U19 12 V socket 3, on left wheel housing
- U20 12 V socket 4



B319 Positive connection 5 (30a) in main wiring harness

H3 Connection 1 in wiring harness for reducing agent tank

- * For models with diesel engine
- *2 For models with 12 V socket
- *3 For models with petrol engine

- ws = white
- sw = black
- ro = red
- rt = red
- br = brown
- gn = green
- bl = blue
- gr = grey
- li = purple
- vi = purple
- ge = yellow
- or = orange
- rs = pink

393 394 395 396 397 398 399 400 401 402 403 404 405 406

[S60-059300219]

Fuel pump relay, Electric fuel pump 2 relay, Auxiliary coolant heater relay, Additional coolant pump relay, Onboard supply control unit, Engine/motor control unit

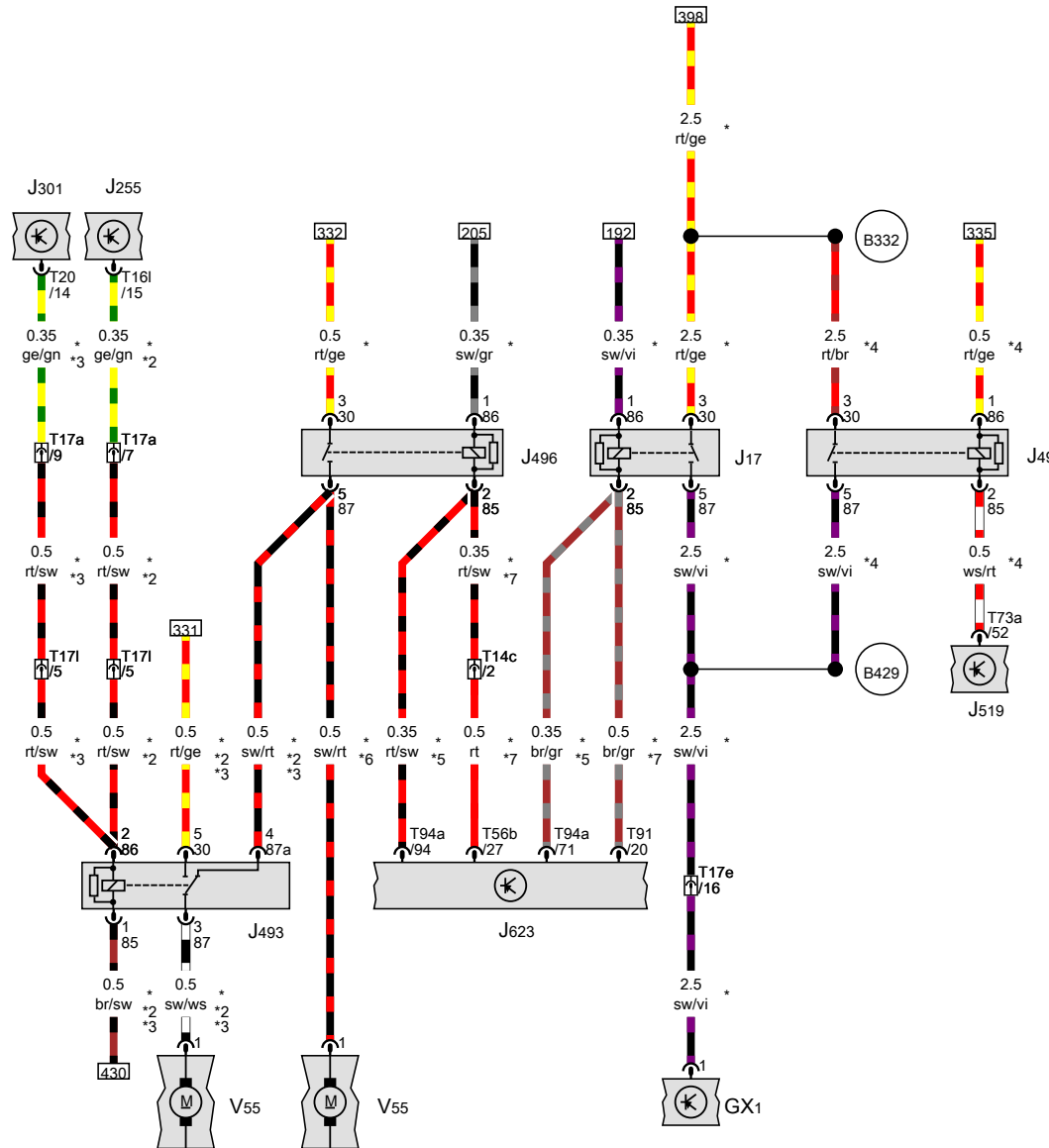
- GX1 Fuel delivery unit
- J17 Fuel pump relay
- J49 Electric fuel pump 2 relay
- J255 Climatronic control unit, in centre of dash panel
- J301 Air conditioning system control unit
- J493 Auxiliary coolant heater relay
- J496 Additional coolant pump relay
- J519 Onboard supply control unit
- J623 Engine/motor control unit
- T14c 14-pin connector, grey, near battery
- T16l 16-pin connector, black
- T17a 17-pin connector, black
- T17e 17-pin connector, red, near handbrake lever
- T17l 17-pin connector, brown, behind dash panel
- T20 20-pin connector, black
- T56b 56-pin connector, black
- T73a 73-pin connector, black
- T91 91-pin connector, black
- T94a 94-pin connector, black
- V55 Circulation pump

B332 Positive connection 18 (30a) in main wiring harness

B429 Connection (EFPR), in main wiring harness

- * For models with diesel engine
- *2 For models with Climatronic
- *3 For models with Climatic
- *4 Only models with auxiliary coolant heater
- *5 For models with 2.0l engine
- *6 For models with no air conditioning system/Climatronic
- *7 For models with 3.0l engine

- ws = white
- sw = black
- ro = red
- rt = red
- br = brown
- gn = green
- bl = blue
- gr = grey
- li = purple
- vi = purple
- ge = yellow
- or = orange
- rs = pink

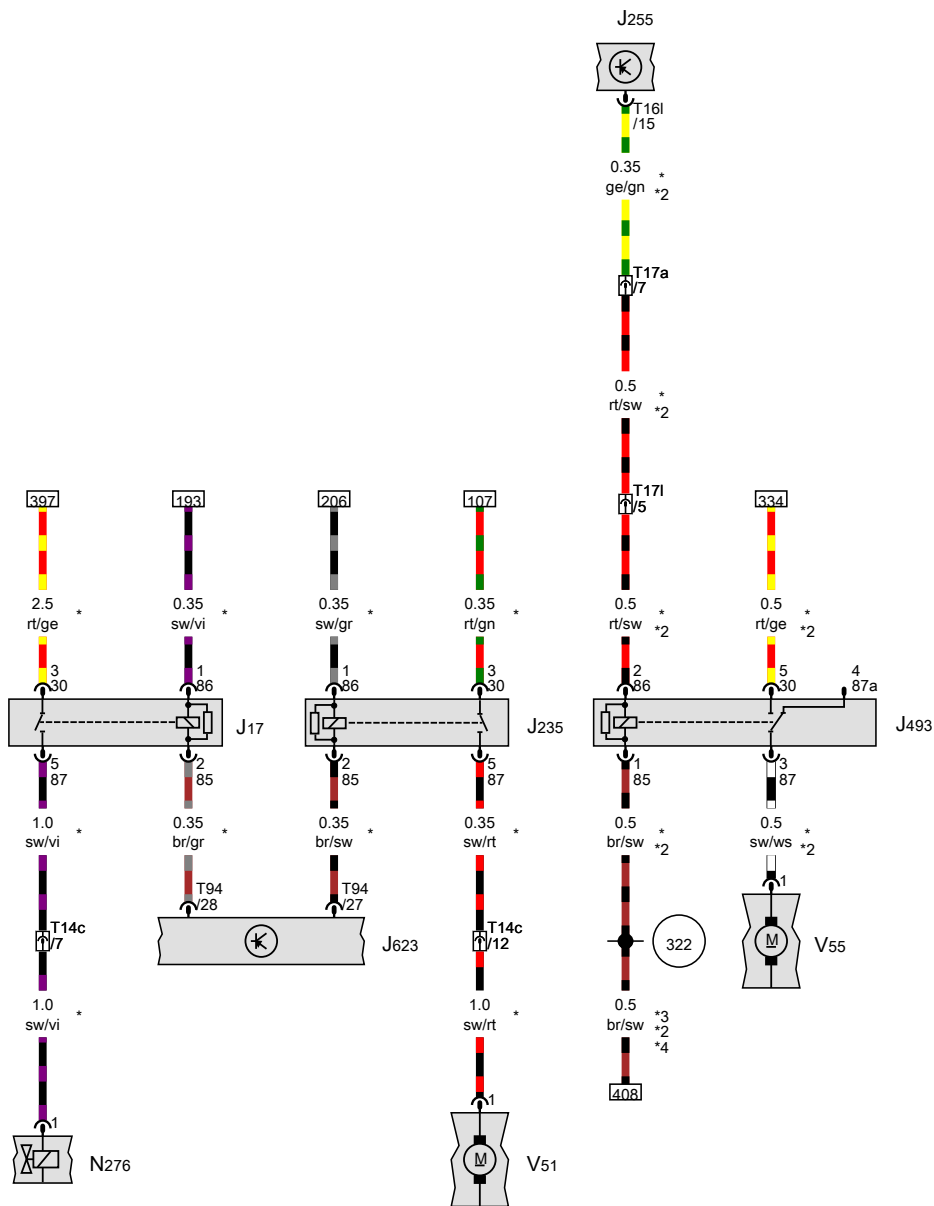


407 408 409 410 411 412 413 414 415 416 417 418 419 420

TS60-0593102191

Fuel pump relay, Coolant pump relay, Auxiliary coolant heater relay, Continued coolant circulation pump

- J17 Fuel pump relay
- J235 Coolant pump relay
- J255 Climatronic control unit, in centre of dash panel
- J493 Auxiliary coolant heater relay
- J623 Engine/motor control unit
- N276 Fuel pressure regulating valve
- T14c 14-pin connector, grey, near battery
- T16l 16-pin connector, black
- T17a 17-pin connector, black
- T17l 17-pin connector, brown, behind dash panel
- T94 94-pin connector, black
- V51 Continued coolant circulation pump
- V55 Circulation pump
- 322 Earth connection (screening 3, TV), in communication wiring harness
- * For models with petrol engine
- *2 For models with Climatronic
- *3 For models with diesel engine
- *4 For models with Climatic



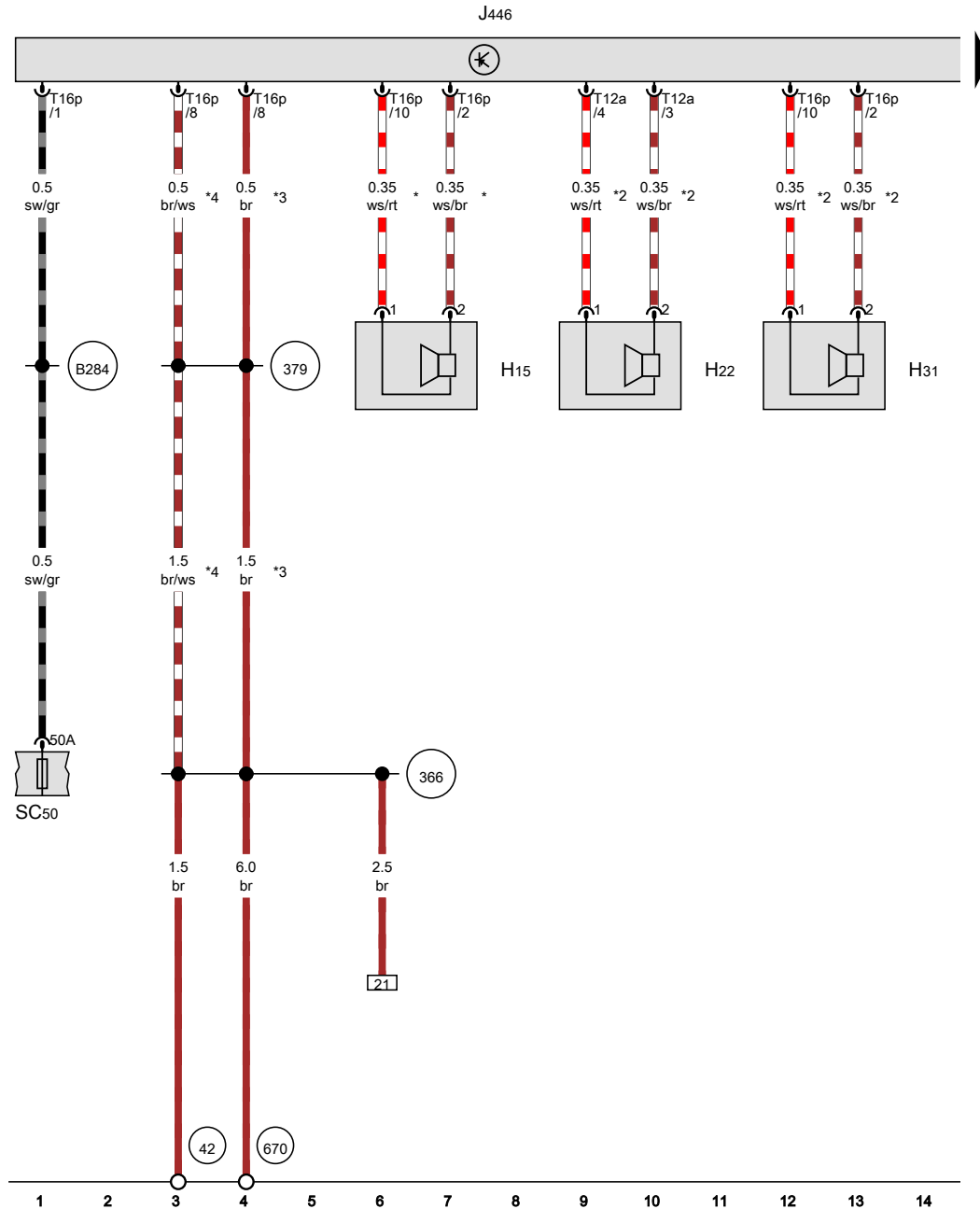
- ws = white
- sw = black
- ro = red
- rt = red
- br = brown
- gn = green
- bl = blue
- gr = grey
- li = purple
- vi = purple
- ge = yellow
- or = orange
- rs = pink

421 422 423 424 425 426 427 428 429 430 431 432 433 434

[S60-059320219]

Parking aid (PDC)

From January 2018



Rear parking aid warning buzzer, Front parking aid warning buzzer, Warning buzzer 2 for rear parking aid, Parking aid control unit, Fuse 50 on fuse holder C

- H15 Rear parking aid warning buzzer, on relay carrier
- H22 Front parking aid warning buzzer, on relay carrier
- H31 Warning buzzer 2 for rear parking aid, behind right C-pillar trim
- J446 Parking aid control unit, lower part of A-pillar, front passenger side
- SC50 Fuse 50 on fuse holder C
- T12a 12-pin connector, brown
- T16p 16-pin connector, brown

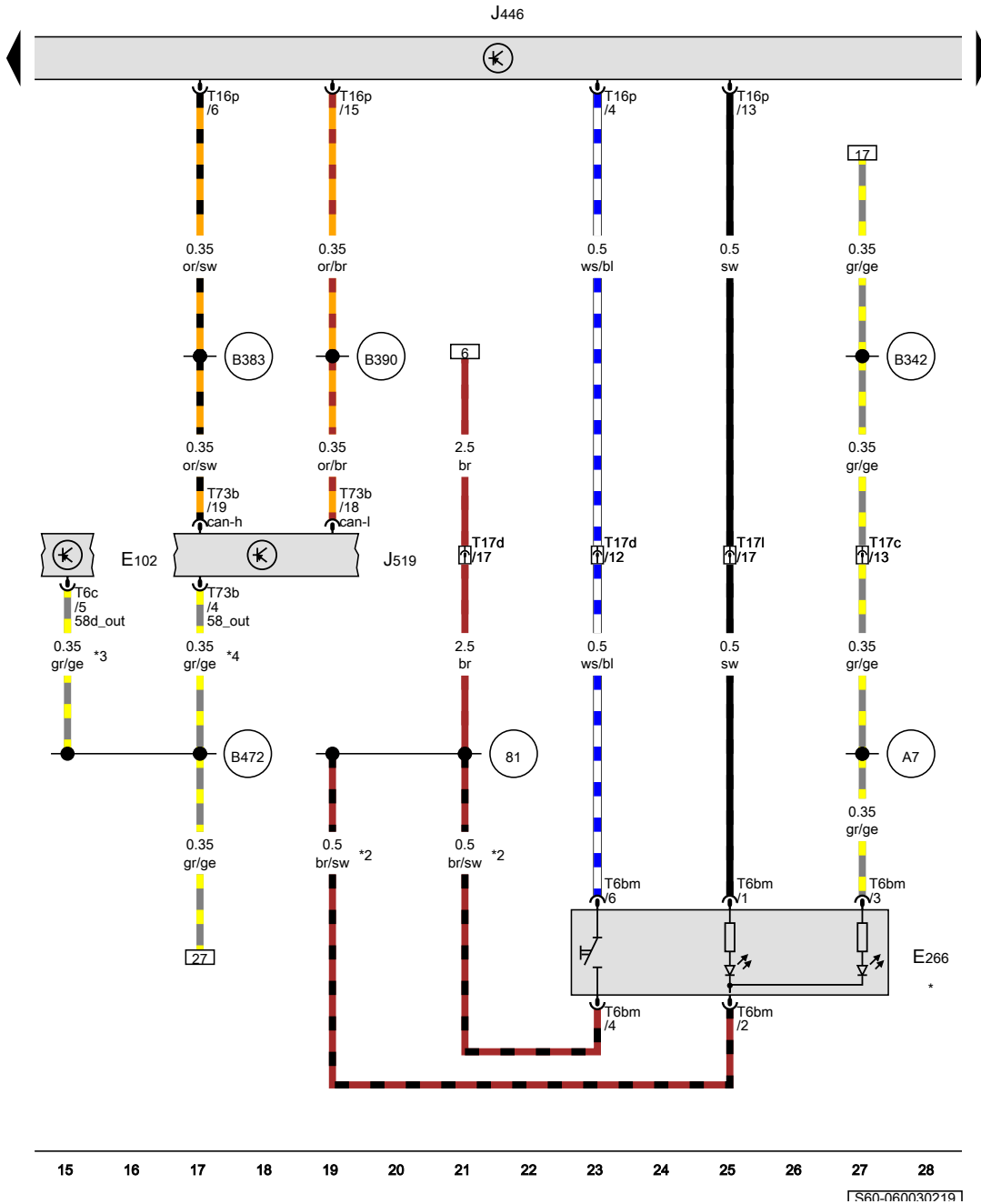
- 42 Earth point, next to steering column
- 366 Earth connection 1, in main wiring harness
- 379 Earth connection 14, in main wiring harness
- 670 Earth point 2, left A-pillar
- B284 Positive connection 8 (15a) in main wiring harness

- * For models with rear parking aid
- *2 For models with front/rear parking aid
- *3 For right-hand drive models
- *4 For left-hand drive models

- ws = white
- sw = black
- ro = red
- rt = red
- br = brown
- gn = green
- bl = blue
- gr = grey
- li = purple
- vi = purple
- ge = yellow
- or = orange
- rs = pink

1560-060020219

Headlight range control regulator, Parking aid button, Parking aid control unit, Onboard supply control unit



- E102 Headlight range control regulator
- E266 Parking aid button
- J446 Parking aid control unit, lower part of A-pillar, front passenger side
- J519 Onboard supply control unit
- T6bm 6-pin connector, white
- T6c 6-pin connector, black
- T16p 16-pin connector, brown
- T17c 17-pin connector, white, behind dash panel
- T17d 17-pin connector, green, behind dash panel
- T17l 17-pin connector, brown, behind dash panel
- T73b 73-pin connector, colourless

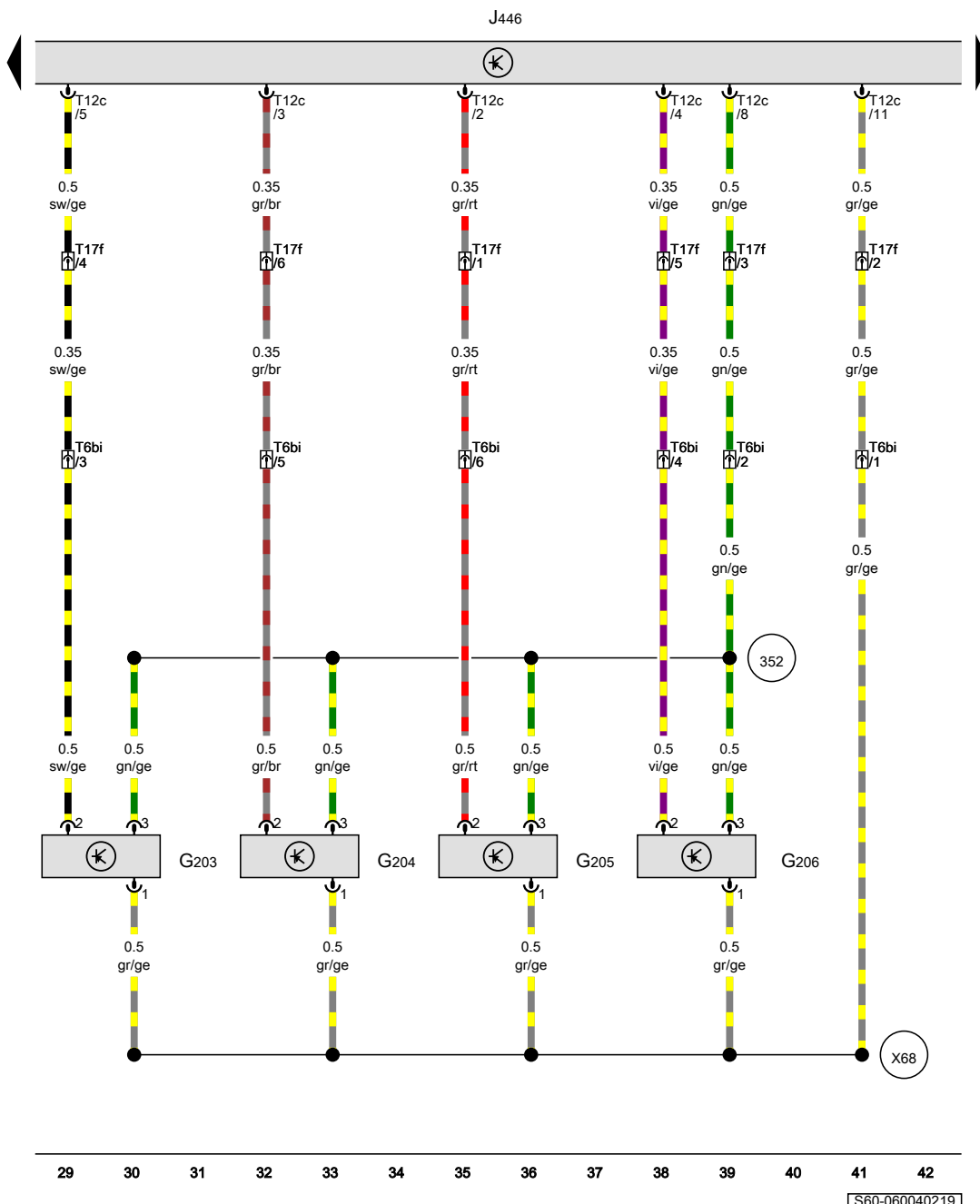
- 81 Earth connection 1, in dash panel wiring harness
- A7 Positive connection (58 D1), in dash panel wiring harness
- B342 Connection 3 (58d), in main wiring harness
- B383 Connection 1 (powertrain CAN bus, high), in main wiring harness
- B390 Connection 1 (powertrain CAN bus, low), in main wiring harness
- B472 Connection 8, in main wiring harness

- * For models with front/rear parking aid
- *2 Wiring colour depends on equipment
- *3 For models with headlight range control
- *4 For models with no headlight range control

- ws = white
- sw = black
- ro = red
- rt = red
- br = brown
- gn = green
- bl = blue
- gr = grey
- li = purple
- vi = purple
- ge = yellow
- or = orange
- rs = pink

15 16 17 18 19 20 21 22 23 24 25 26 27 28

1360-0600302191



Rear left parking aid sender, Rear centre left parking aid sender, Rear centre right parking aid sender, Rear right parking aid sender, Parking aid control unit

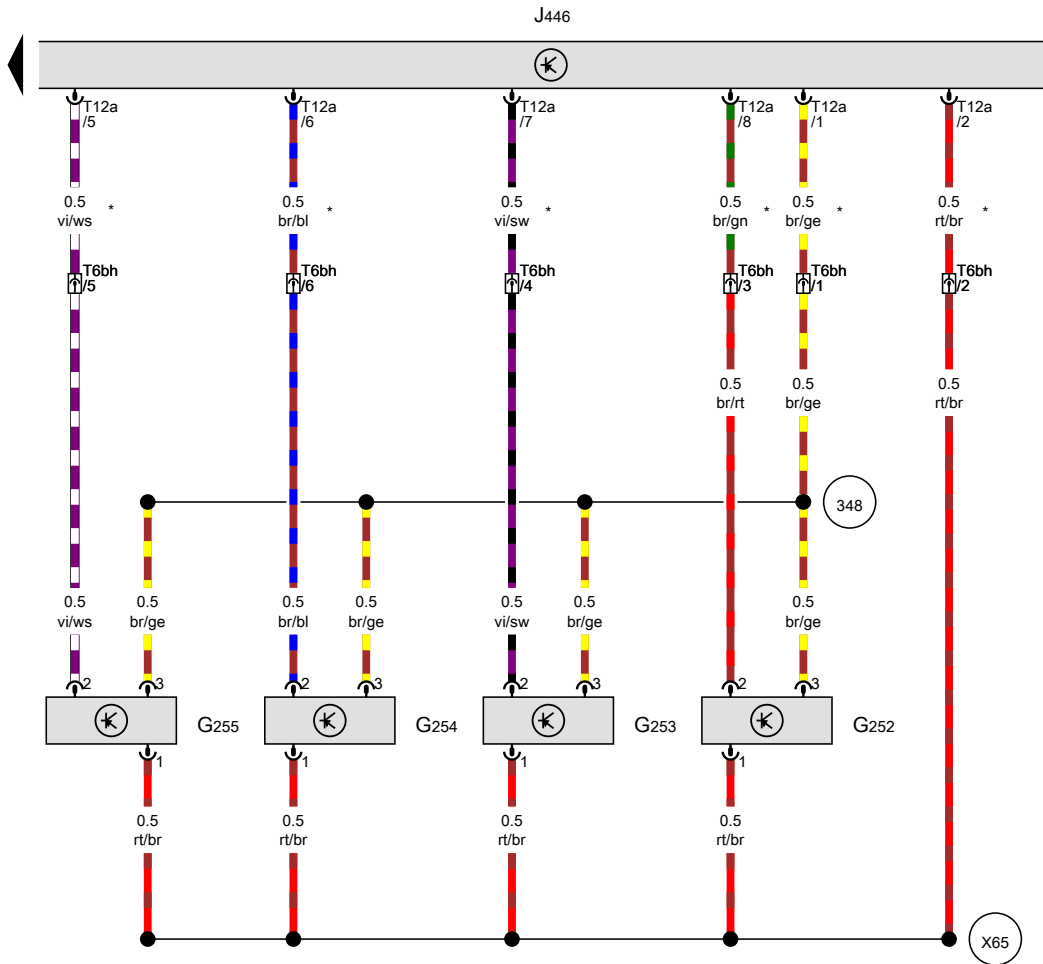
- G203 Rear left parking aid sender
- G204 Rear centre left parking aid sender
- G205 Rear centre right parking aid sender
- G206 Rear right parking aid sender
- J446 Parking aid control unit, lower part of A-pillar, front passenger side
- T6bi 6-pin connector, black, under rear bumper on left
- T12c 12-pin connector, black
- T17f 17-pin connector, blue, near handbrake lever

352 Earth connection (parking aid), in rear bumper wiring harness

X68 Positive connection (parking aid), in rear bumper wiring harness

- ws = white
- sw = black
- ro = red
- rt = red
- br = brown
- gn = green
- bl = blue
- gr = grey
- li = purple
- vi = purple
- ge = yellow
- or = orange
- rs = pink

1914040060S



Front right parking aid sender, Front centre right parking aid sender, Front centre left parking aid sender, Front left parking aid sender, Parking aid control unit

- G252 Front right parking aid sender
- G253 Front centre right parking aid sender
- G254 Front centre left parking aid sender
- G255 Front left parking aid sender
- J446 Parking aid control unit, lower part of A-pillar, front passenger side
- T6bh 6-pin connector, black, behind front bumper on left
- T12a 12-pin connector, brown
- 348 Earth connection (parking aid), in front bumper wiring harness
- X65 Connection (parking aid), in front bumper wiring harness
- * For models with front/rear parking aid

- ws = white
- sw = black
- ro = red
- rt = red
- br = brown
- gn = green
- bl = blue
- gr = grey
- li = purple
- vi = purple
- ge = yellow
- or = orange
- rs = pink

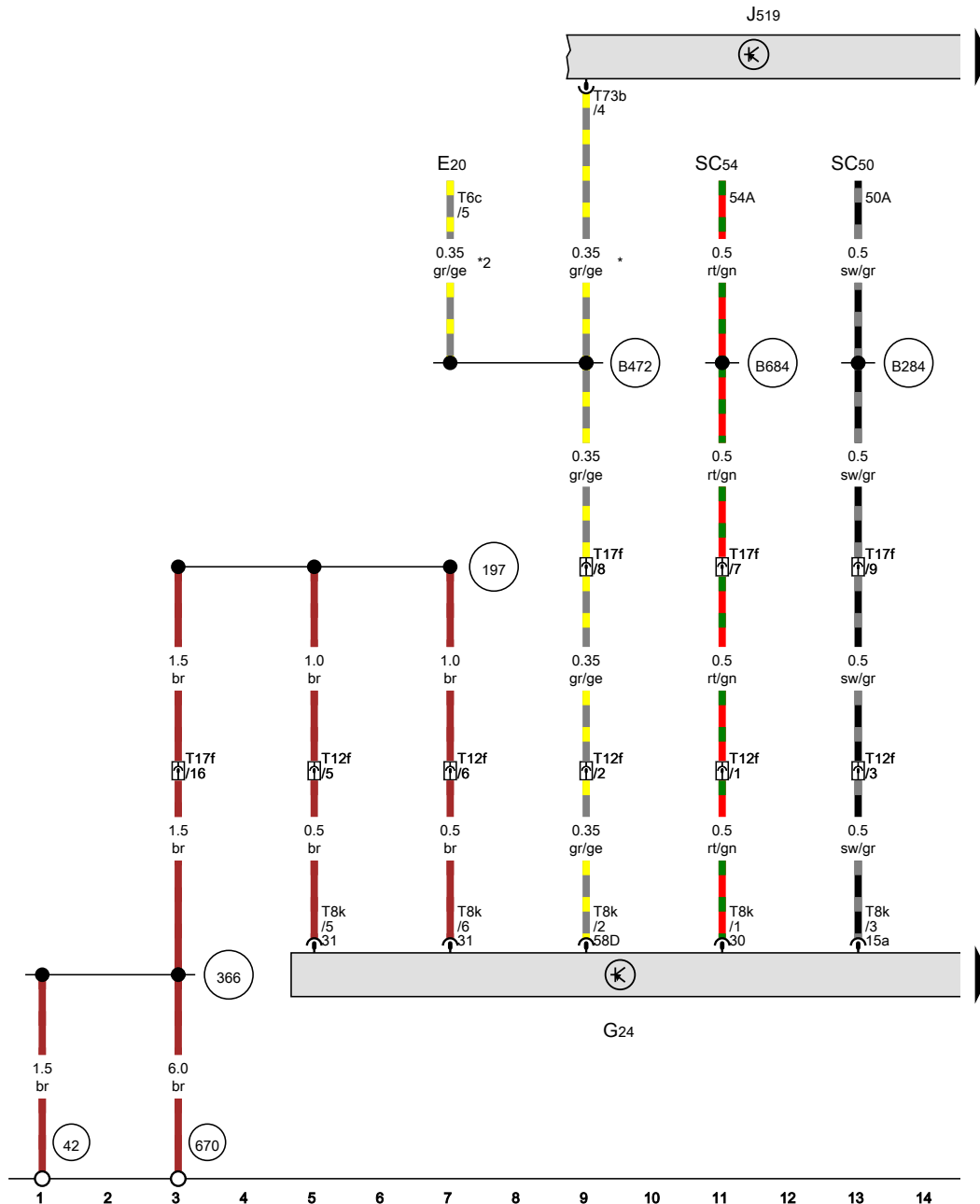
43 44 45 46 47 48 49 50 51 52 53 54 55 56

[S60-060050219]

Electronic logbook, chip card reader unit , (9ND),(9NE)

From July 2017

Tachograph, Onboard supply control unit, Fuse 50 on fuse holder C, Fuse 54 on fuse holder C



- E20 Switch and instrument illumination regulator
- G24 Tachograph
- J519 Onboard supply control unit
- SC50 Fuse 50 on fuse holder C
- SC54 Fuse 54 on fuse holder C
- T6c 6-pin connector, black
- T8k 8-pin connector, colourless
- T12f 12-pin connector, black, near handbrake lever
- T17f 17-pin connector, blue, near handbrake lever
- T73b 73-pin connector, colourless

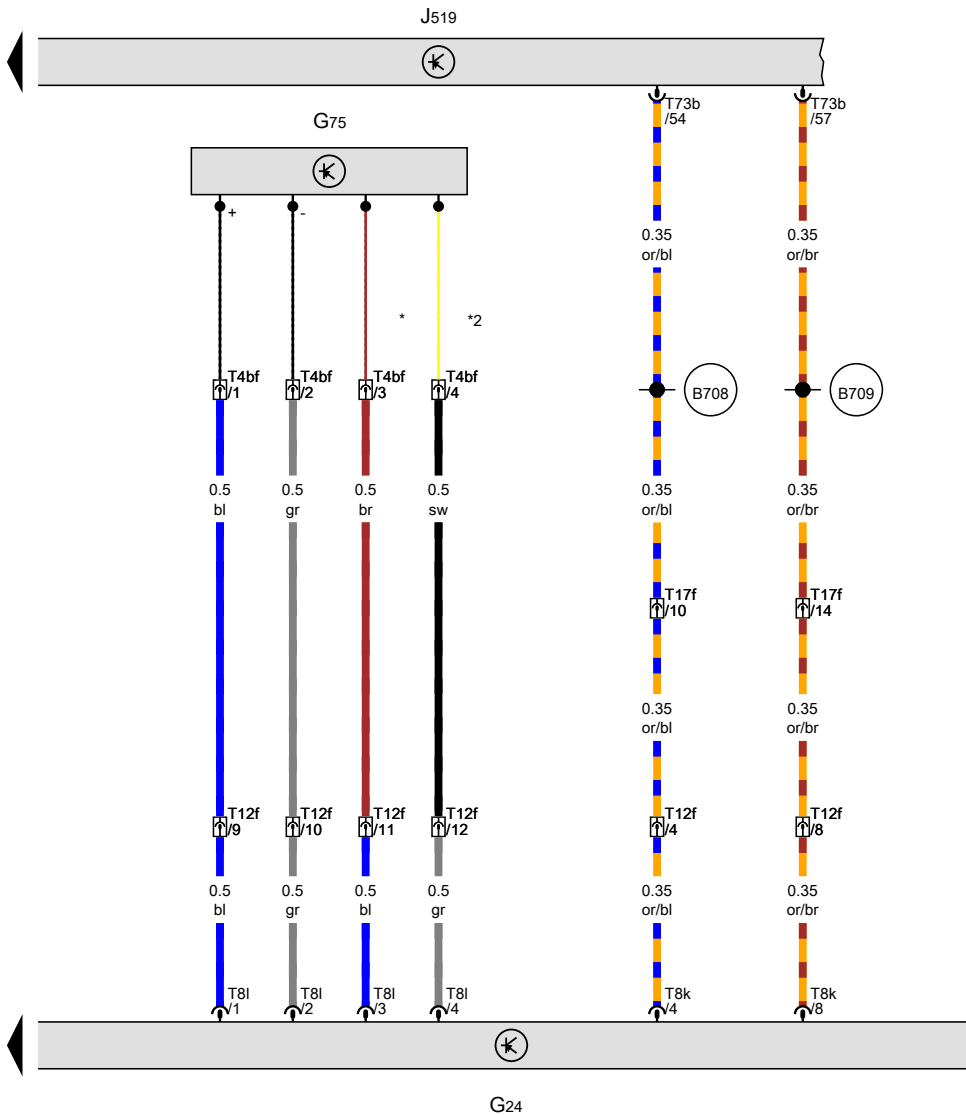
- (42) Earth point, next to steering column
- (197) Earth connection 4, in rear wiring harness
- (366) Earth connection 1, in main wiring harness
- (670) Earth point 2, left A-pillar
- (B284) Positive connection 8 (15a) in main wiring harness
- (B472) Connection 8, in main wiring harness
- (B684) Positive connection 24 (30a) in main wiring harness
- * For models with no dimmable instrument illumination
- *2 For models with dimmable instrument illumination

- ws = white
- sw = black
- ro = red
- rt = red
- br = brown
- gn = green
- bl = blue
- gr = grey
- li = purple
- vi = purple
- ge = yellow
- or = orange
- rs = pink

[S60-061021018]

Tachograph, Tachograph sender, Onboard supply control unit

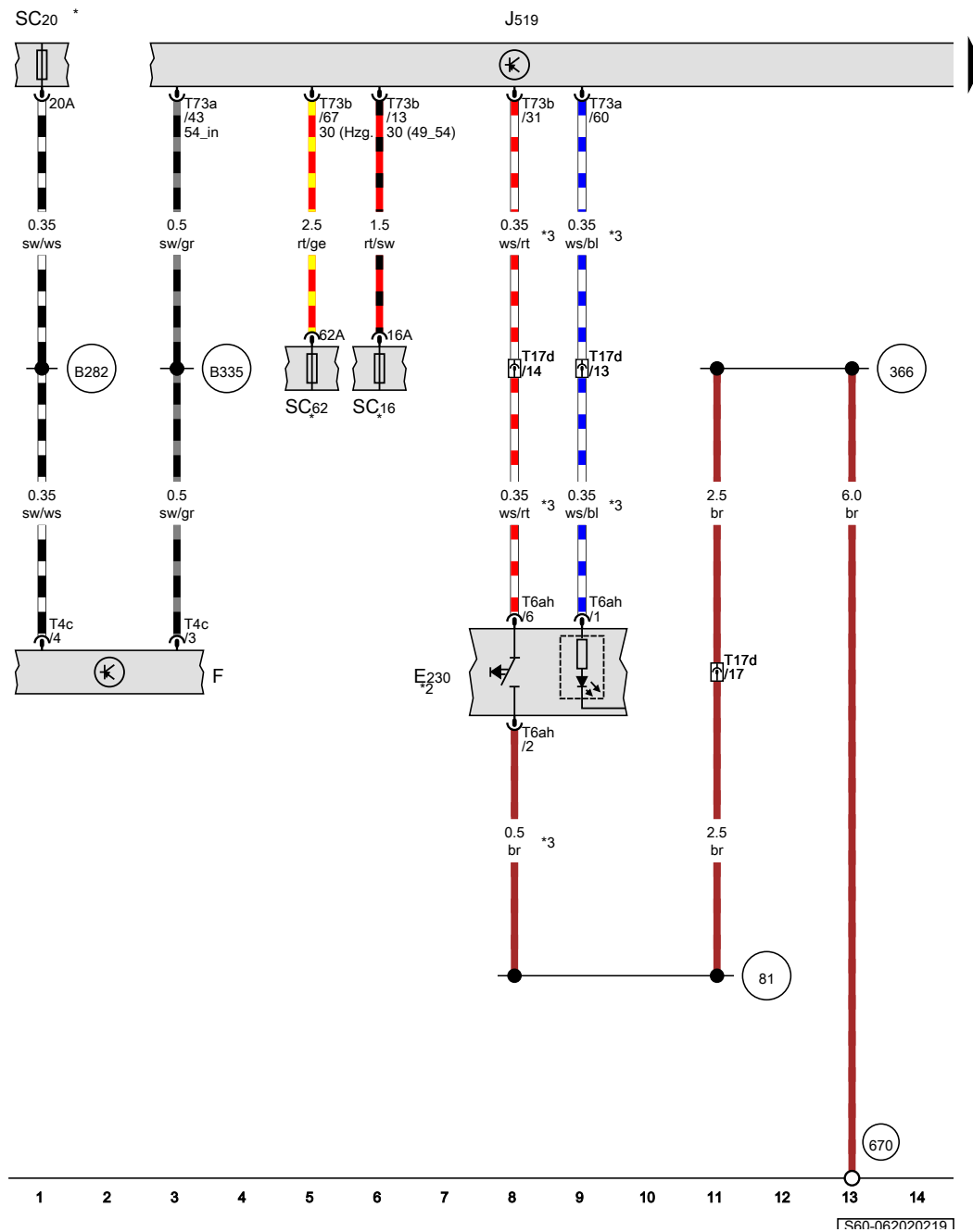
- G24 Tachograph
- G75 Tachograph sender, on rear axle, right
- J519 Onboard supply control unit
- T4bf 4-pin connector, black, on underbody, near rear axle
- T8k 8-pin connector, colourless
- T8l 8-pin connector, yellow
- T12f 12-pin connector, black, near handbrake lever
- T17f 17-pin connector, blue, near handbrake lever
- T73b 73-pin connector, colourless
- B708 Connection 1 (dash panel insert CAN bus high) in main wiring harness
- B709 Connection 1 (dash panel insert CAN bus low) in main wiring harness
- * Speed signal
- *2 Data wire



- ws = white
- sw = black
- ro = red
- rt = red
- br = brown
- gn = green
- bl = blue
- gr = grey
- li = purple
- vi = purple
- ge = yellow
- or = orange
- rs = pink

Hardtop , (YS9)

From August 2018



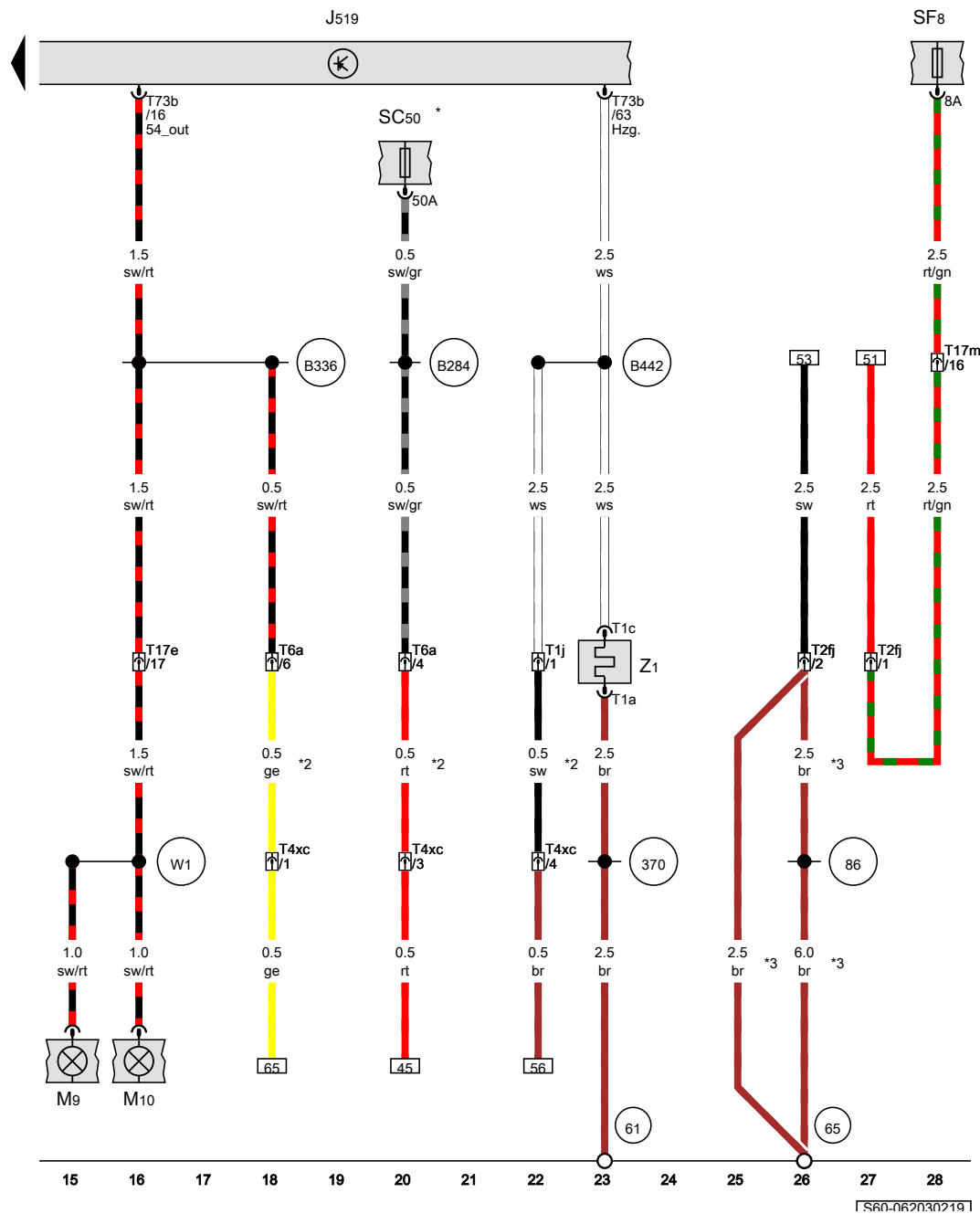
Heated rear window button, Brake light switch, Onboard supply control unit, Fuse 16 on fuse holder C, Fuse 20 on fuse holder C, Fuse 62 on fuse holder C

- E230 Heated rear window button
- F Brake light switch
- J519 Onboard supply control unit
- SC16 Fuse 16 on fuse holder C
- SC20 Fuse 20 on fuse holder C
- SC62 Fuse 62 on fuse holder C
- T4c 4-pin connector, black
- T6ah 6-pin connector, near radio
- T17d 17-pin connector, green, on left under dash panel
- T73a 73-pin connector, black
- T73b 73-pin connector, colourless

- 81 Earth connection 1, in dash panel wiring harness
- 366 Earth connection 1, in main wiring harness
- 670 Earth point 2, left A-pillar
- B282 Positive connection 6 (15a) in main wiring harness
- B335 Connection 1 (54), in main wiring harness

* see applicable current flow diagram for fuse assignment
 *2 see applicable current flow diagram for basic equipment
 *3 For models with no air conditioning system/Climatronic

- ws = white
- sw = black
- ro = red
- rt = red
- br = brown
- gn = green
- bl = blue
- gr = grey
- li = purple
- vi = purple
- ge = yellow
- or = orange
- rs = pink



Onboard supply control unit, Left brake light bulb, Right brake light bulb, Fuse 8 in fuse holder F, Fuse 50 on fuse holder C, Heated rear window

- J519 Onboard supply control unit
- M9 Left brake light bulb
- M10 Right brake light bulb
- SF8 Fuse 8 in fuse holder F
- SC50 Fuse 50 on fuse holder C
- T1a 1-pin connector, black
- T1c 1-pin connector, black
- T1j 1-pin connector, black, on rear roof module
- T2fj 2-pin connector, brown, on cross panel, rear, left
- T4xc 4-pin connector, black, in rear part of roof
- T6a 6-pin connector, black, on rear roof module
- T17e 17-pin connector, red, near handbrake lever
- T17m 17-pin connector, brown, near handbrake lever
- T73b 73-pin connector, colourless
- Z1 Heated rear window
- 61 Earth point, left C-pillar
- 65 Earth point, on rear of left longitudinal member
- 86 Earth connection 1, in rear wiring harness
- 370 Earth connection 5, in main wiring harness
- B284 Positive connection 8 (15a) in main wiring harness
- B336 Connection 2 (54), in main wiring harness
- B442 Connection 1 (rear window), in main wiring harness
- W1 Positive connection 1 (54), in rear wiring harness
- * see applicable current flow diagram for fuse assignment
- *2 Adapter wire
- *3 According to equipment

- ws = white
- sw = black
- ro = red
- rt = red
- br = brown
- gn = green
- bl = blue
- gr = grey
- li = purple
- vi = purple
- ge = yellow
- or = orange
- rs = pink

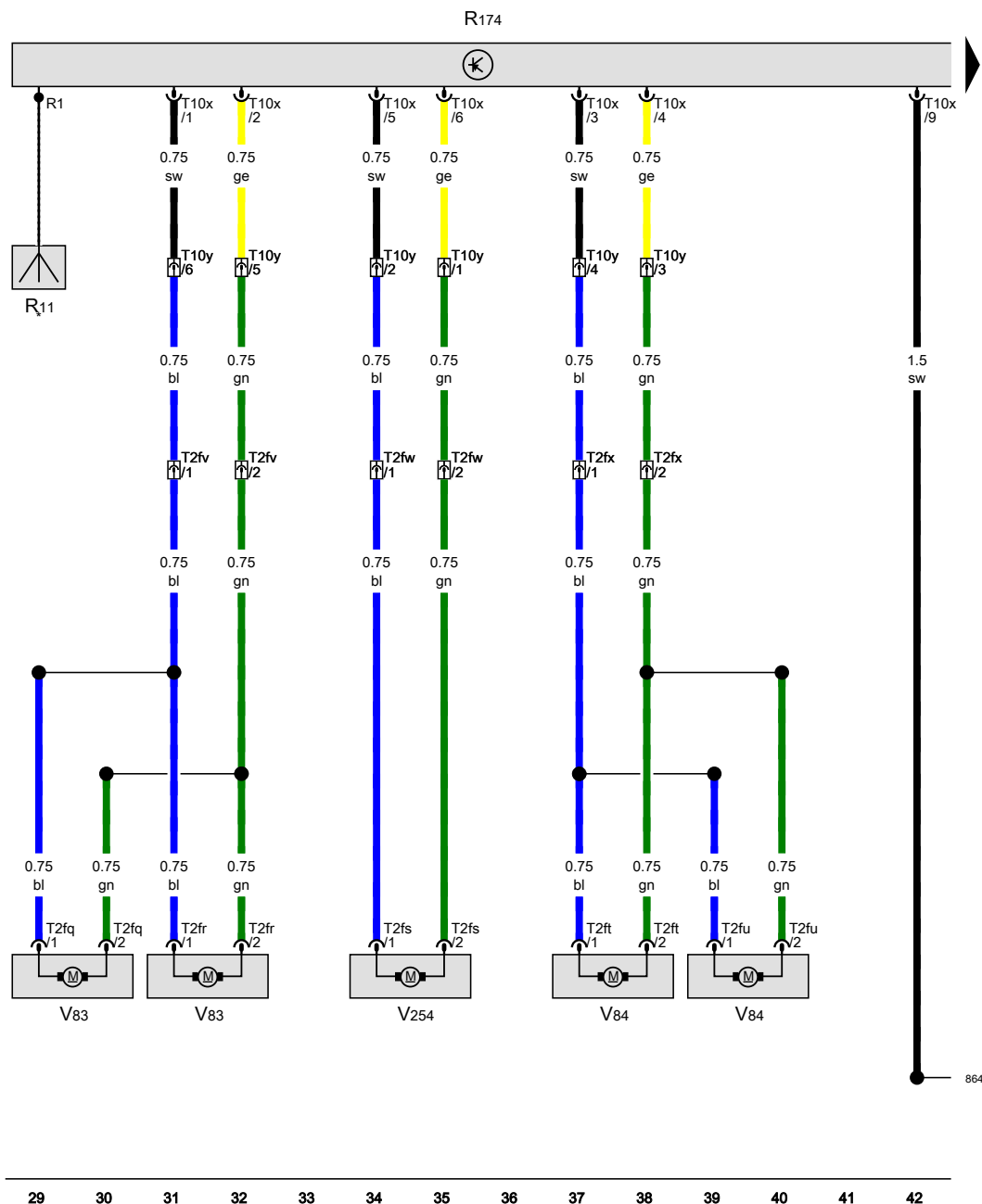
[S60-062030219]

Aerial, Remote control receiver for unlocking armoured vehicle, Left vent window motor, Right vent window motor, Rear lid electric opener motor

- R1 Aerial connection, black
- R11 Aerial, in rear part of roof, middle
- R174 Remote control receiver for unlocking armoured vehicle, in rear part of roof, middle
- T2fq 2-pin connector, black
- T2fr 2-pin connector, black
- T2fs 2-pin connector, black
- T2ft 2-pin connector, black
- T2fu 2-pin connector, black
- T2fv 2-pin connector, black, in rear part of roof, left
- T2fw 2-pin connector, black, in rear part of roof, middle
- T2fx 2-pin connector, black, in rear part of roof, right
- T10x 10-pin connector, white
- T10y 10-pin connector, black
- V83 Left vent window motor, in left side window
- V84 Right vent window motor, in right side window
- V254 Rear lid electric opener motor, in rear lid

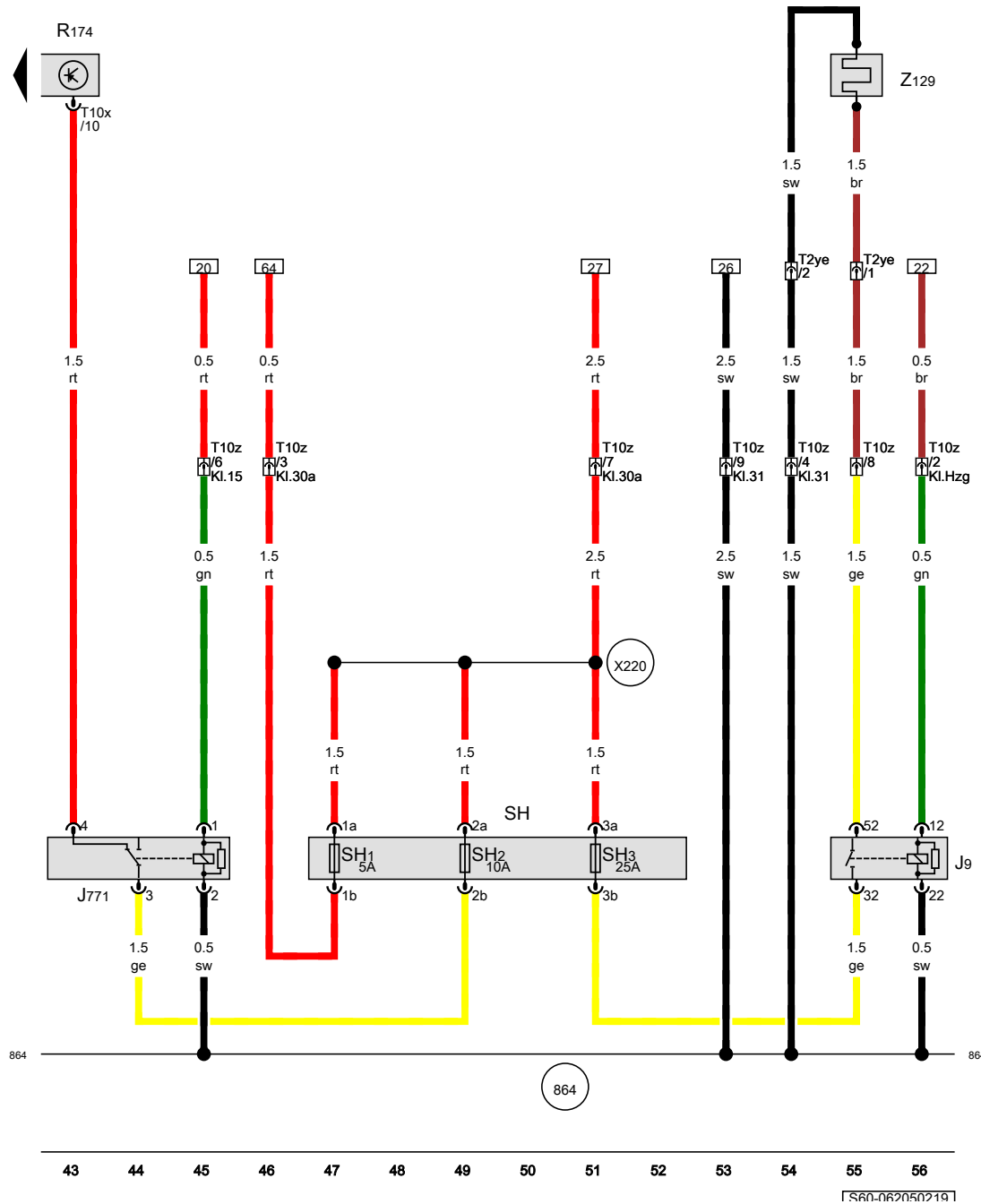
864 Earth connection 1 in special vehicle wiring harness

* Wiring open end



- ws = white
- sw = black
- ro = red
- rt = red
- br = brown
- gn = green
- bl = blue
- gr = grey
- li = purple
- vi = purple
- ge = yellow
- or = orange
- rs = pink

19140206-60S



Heated rear window relay, Blocking relay, Remote control receiver for unlocking armoured vehicle, Fuse holder H, Heated rear window for hardtop

- J9 Heated rear window relay, in rear part of roof, middle
- J771 Blocking relay, in rear part of roof, middle
- R174 Remote control receiver for unlocking armoured vehicle, in rear part of roof, middle
- SH Fuse holder H, in rear part of roof, middle
- SH1 Fuse 1 in fuse holder H
- SH2 Fuse 2 in fuse holder H
- SH3 Fuse 3 in fuse holder H
- T2ye 2-pin connector, black, near heated rear window connector
- T10x 10-pin connector, white
- T10z 10-pin connector, black, in rear part of roof, middle
- Z129 Heated rear window for hardtop





- 864 Earth connection 1 in special vehicle wiring harness
- X220 Positive connection 1 (30a) in special vehicle wiring harness

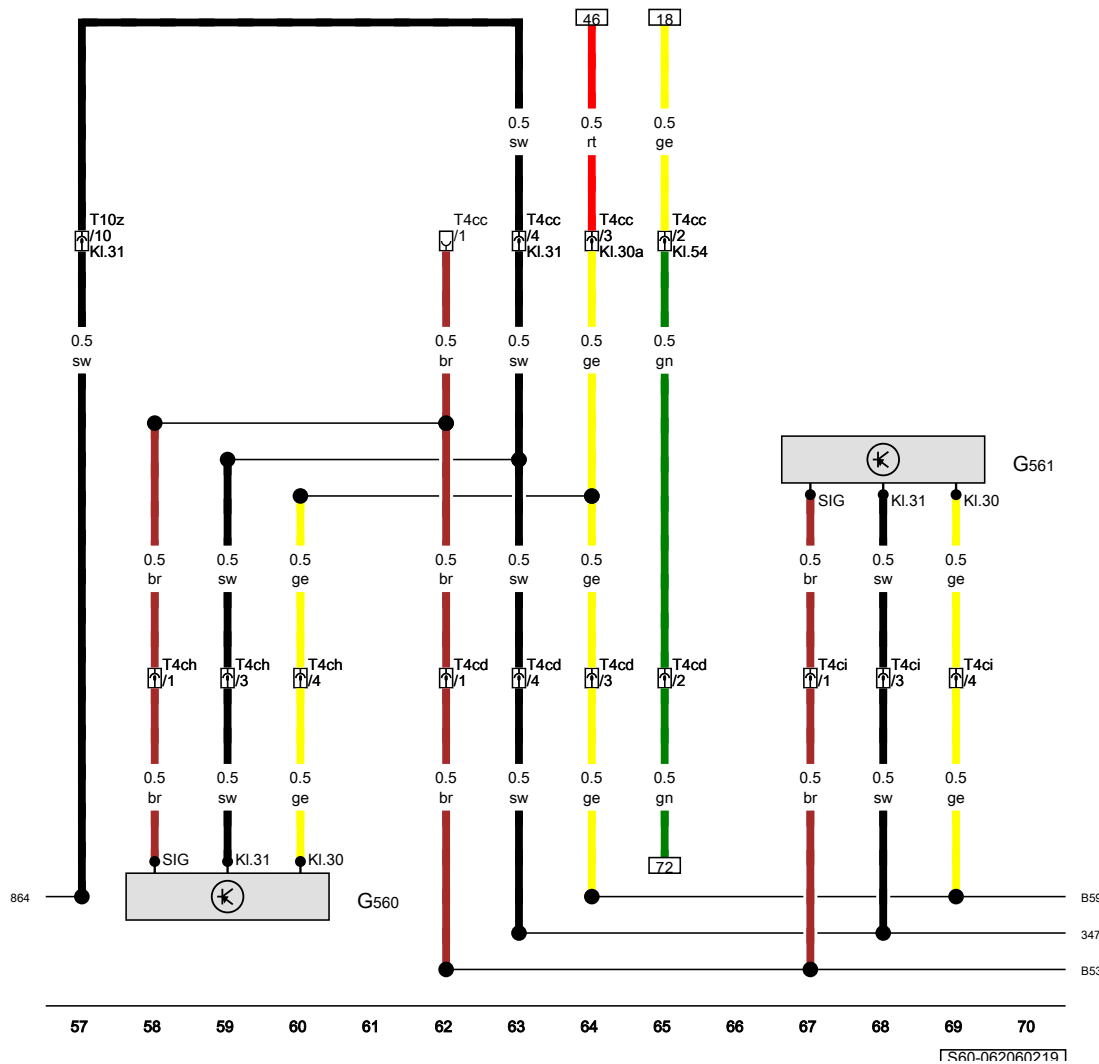
- ws = white
- sw = black
- ro = red
- rt = red
- br = brown
- gn = green
- bl = blue
- gr = grey
- li = purple
- vi = purple
- ge = yellow
- or = orange
- rs = pink

[S60-062050219]

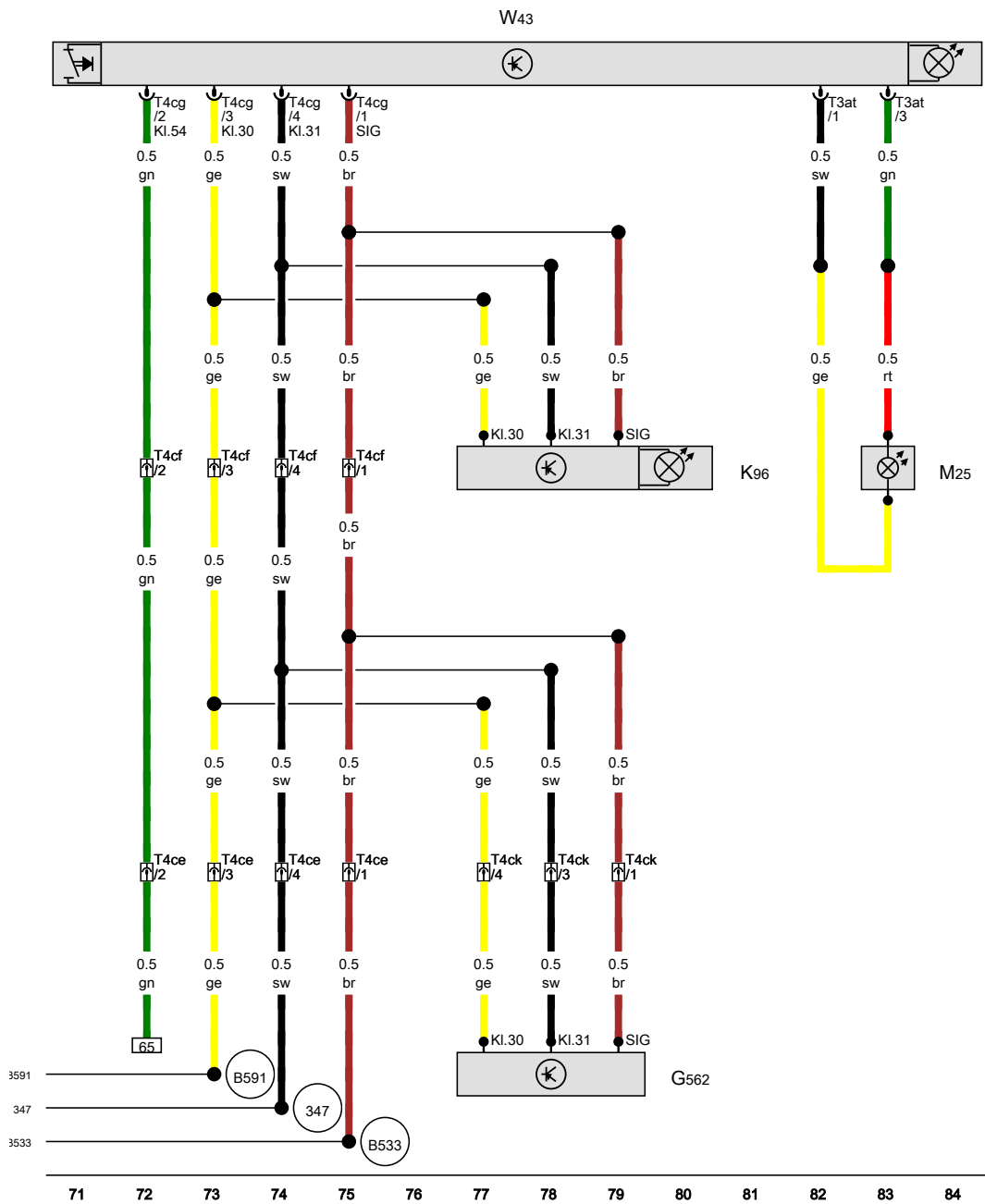
Left sender for rear window frame locked, Right sender for rear window frame locked

- G560 Left sender for rear window frame locked, in left side window
- G561 Right sender for rear window frame locked, in right side window
- T4cc 4-pin connector, white, in rear part of roof
- T4cd 4-pin connector, white, in rear part of roof
- T4ch 4-pin connector, black, in rear part of roof, left
- T4ci 4-pin connector, black, in rear part of roof, right
- T10z 10-pin connector, black, in rear part of roof, middle

-  347 Earth connection, in roof wiring harness
-  864 Earth connection 1 in special vehicle wiring harness
-  B533 Connection 1 (DCt), in roof wiring harness
-  B591 Positive connection 1 (30a), in roof wiring harness



[S60-062060219]



Sender for rear window frame open, Warning lamp, High-level brake light bulb, Rear interior light

- G562 Sender for rear window frame open, in rear lid
- K96 Warning lamp
- M25 High-level brake light bulb
- T3at 3-pin connector, white
- T4ce 4-pin connector, white, in rear part of roof
- T4cf 4-pin connector, white, in rear part of roof
- T4cg 4-pin connector, white
- T4ck 4-pin connector, black, in rear part of roof, middle
- W43 Rear interior light, in rear part of roof, middle

- 347 Earth connection, in roof wiring harness
- B533 Connection 1 (DCt), in roof wiring harness
- B591 Positive connection 1 (30a), in roof wiring harness

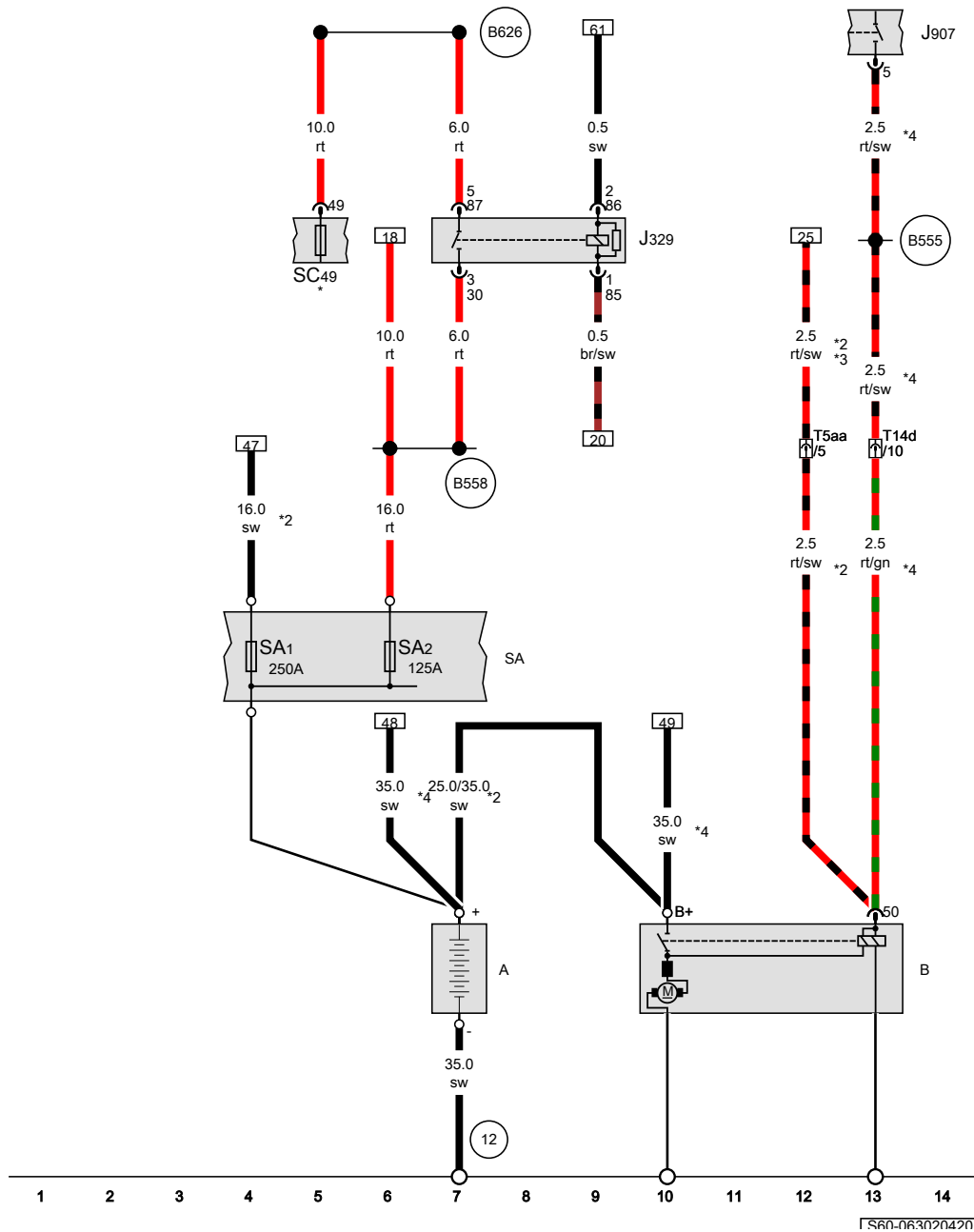
- ws = white
- sw = black
- ro = red
- rt = red
- br = brown
- gn = green
- bl = blue
- gr = grey
- li = purple
- vi = purple
- ge = yellow
- or = orange
- rs = pink

[S60-062070219]

Basic equipment

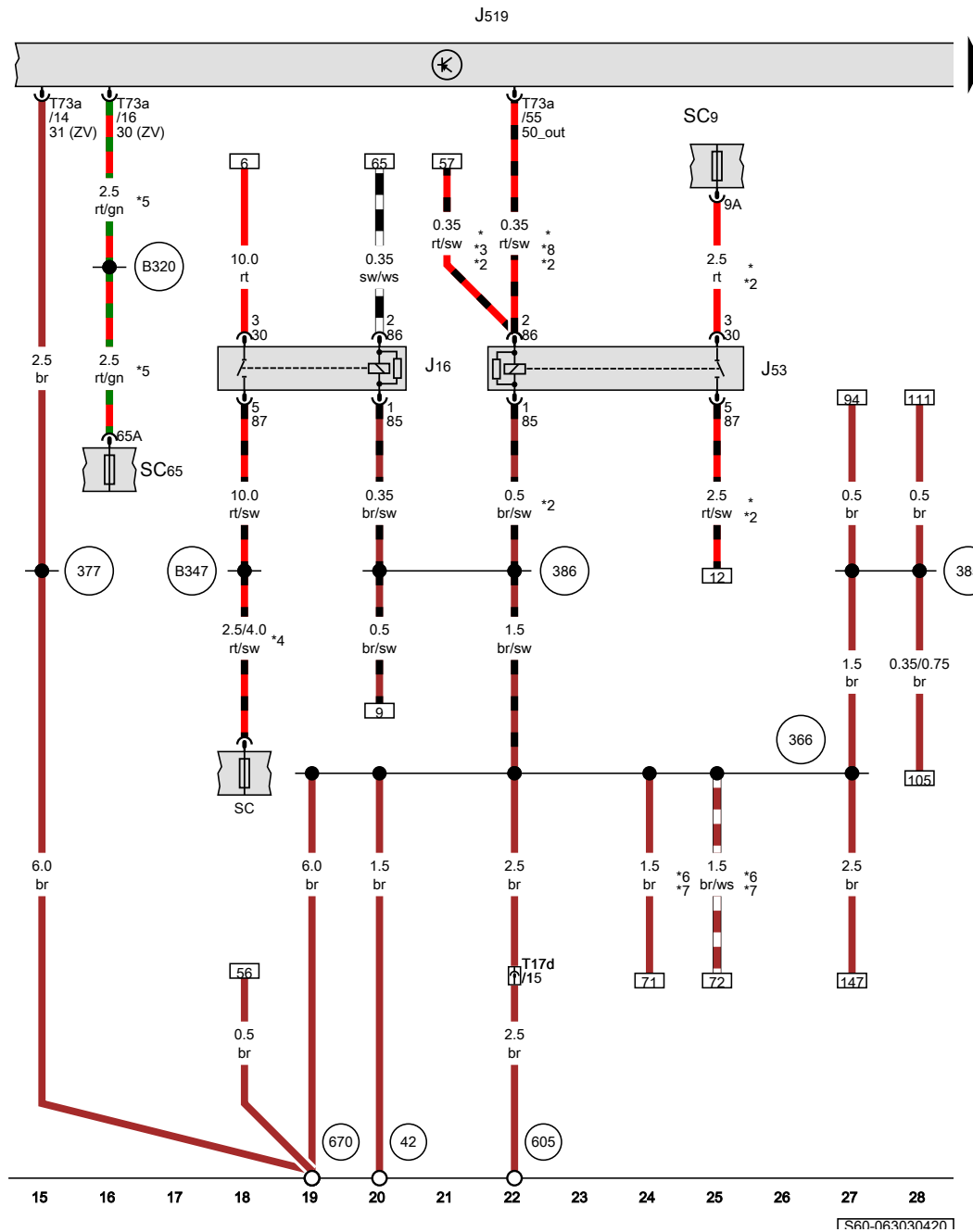
From August 2018

Battery, Starter, Terminal 15 voltage supply relay, Fuse holder A



- A Battery
- B Starter
- J329 Terminal 15 voltage supply relay
- J907 Starter relay 2
- SA Fuse holder A
- SA1 Fuse 1 on fuse holder A
- SA2 Fuse 2 on fuse holder A
- SC49 Fuse 49 on fuse holder C
- T5aa 5-pin connector, black, near battery
- T14d 14-pin connector, black, near battery
- 12 Earth point, on left in engine compartment
- B555 Positive connection 2 (50), in main wiring harness
- B558 Positive connection 22 (30a) in main wiring harness
- B626 Positive connection 2 (15), in main wiring harness
- * see applicable current flow diagram for fuse assignment
- *2 For models with 2.0l engine
- *3 For models with no start/stop system
- *4 For models with 3.0l engine

- ws = white
- sw = black
- ro = red
- rt = red
- br = brown
- gn = green
- bl = blue
- gr = grey
- li = purple
- vi = purple
- ge = yellow
- or = orange
- rs = pink



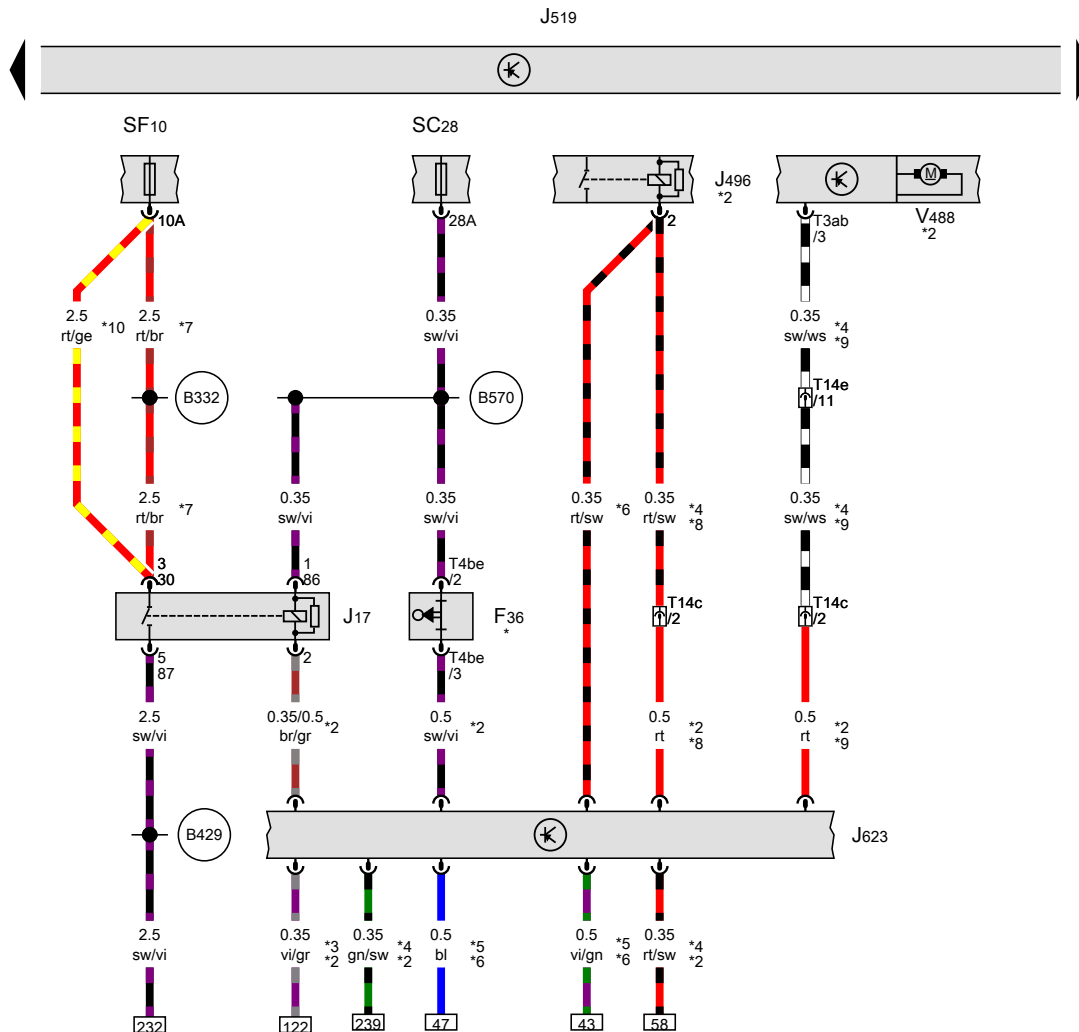
[S60-063030420]

Current supply relay, Starter motor relay

- J16 Current supply relay
- J53 Starter motor relay
- J519 Onboard supply control unit
- SC Fuse holder C
- SC9 Fuse 9 on fuse holder C
- SC65 Fuse 65 on fuse holder C
- T17d 17-pin connector, green, behind dash panel
- T73a 73-pin connector, black

- 42 Earth point, next to steering column
- 366 Earth connection 1, in main wiring harness
- 377 Earth connection 12, in main wiring harness
- 385 Earth connection 20, in main wiring harness
- 386 Earth connection 21, in main wiring harness
- 605 Earth point, on top end of steering column
- 670 Earth point 2, left A-pillar
- B320 Positive connection 6 (30a) in main wiring harness
- B347 Connection 2 (75), in main wiring harness
- * For models with 2.0l engine
- *2 For models with no start/stop system
- *3 For models with manual gearbox
- *4 see applicable current flow diagram for fuse assignment
- *5 For models with central locking
- *6 Wiring colour depends on equipment
- *7 see applicable current flow diagram for earthing concept
- *8 For models with automatic gearbox

- ws = white
- sw = black
- ro = red
- rt = red
- br = brown
- gn = green
- bl = blue
- gr = grey
- li = purple
- vi = purple
- ge = yellow
- or = orange
- rs = pink



Clutch pedal switch, Fuel pump relay, Additional coolant pump relay, Engine/motor control unit, Auxiliary pump for heating

- F36 Clutch pedal switch
- J17 Fuel pump relay
- J496 Additional coolant pump relay
- J519 Onboard supply control unit
- J623 Engine/motor control unit
- SF10 Fuse 10 in fuse holder F
- SC28 Fuse 28 on fuse holder C
- T3ab 3-pin connector, black
- T4be 4-pin connector, black
- T14c 14-pin connector, grey, near battery
- T14e 14-pin connector, grey, near right headlight
- V488 Auxiliary pump for heating

B332 Positive connection 18 (30a) in main wiring harness

B429 Connection (EFPR), in main wiring harness

B570 Connection 37, in main wiring harness

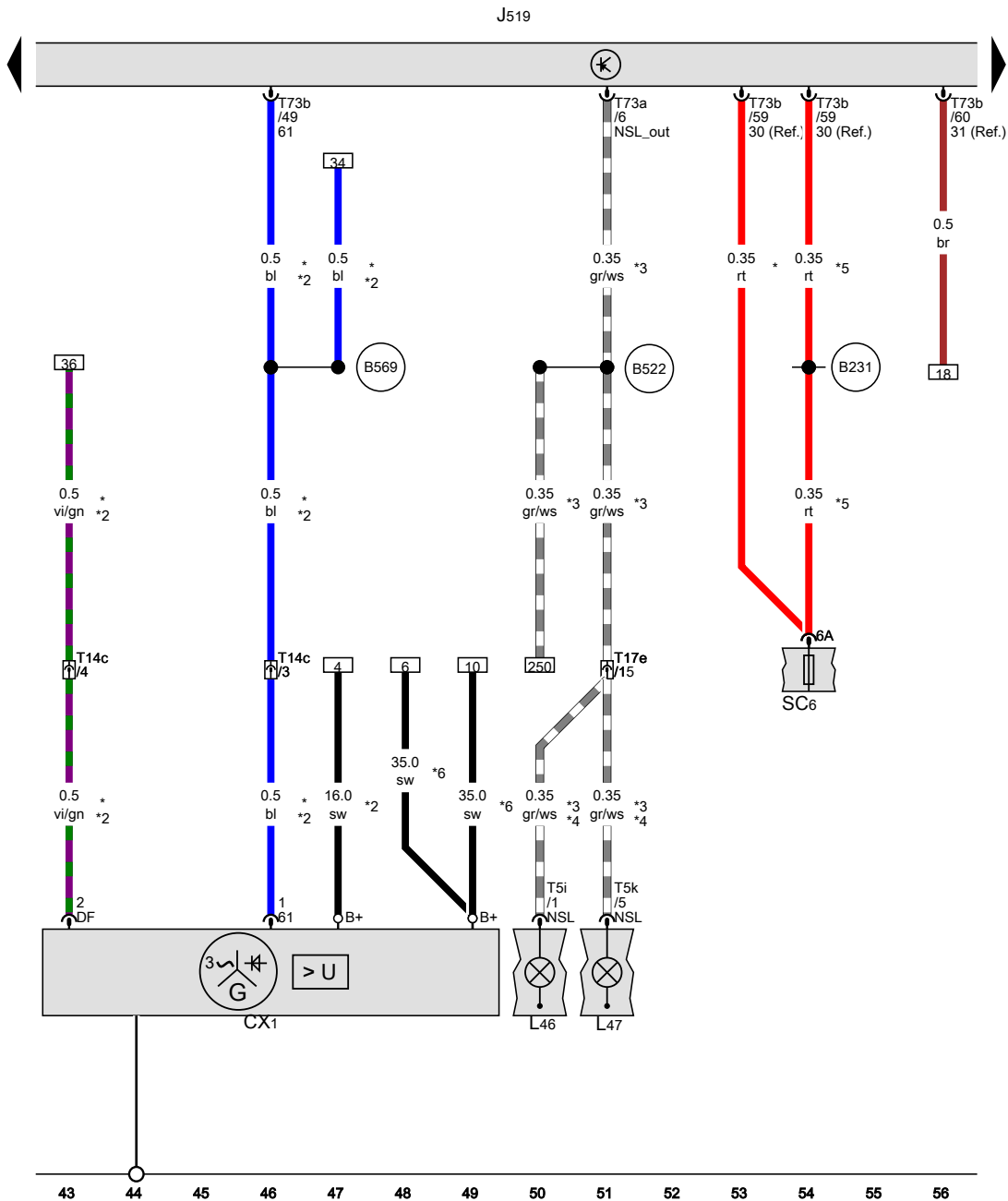
- * For models with manual gearbox see applicable current flow diagram for engine
- *2 For models with cruise control system (CCS)
- *3 For models with 3.0l engine
- *4 For models with no start/stop system
- *5 For models with 2.0l engine
- *6 Only models with auxiliary coolant heater
- *7 Not for emission standard Euro 6 AD/E/F
- *8 For emission standard Euro 6 AD/E/F
- *9 For models with no auxiliary coolant heater
- *10

- ws = white
- sw = black
- ro = red
- rt = red
- br = brown
- gn = green
- bl = blue
- gr = grey
- li = purple
- vi = purple
- ge = yellow
- or = orange
- rs = pink

29 30 31 32 33 34 35 36 37 38 39 40 41 42

1S60-0630404201

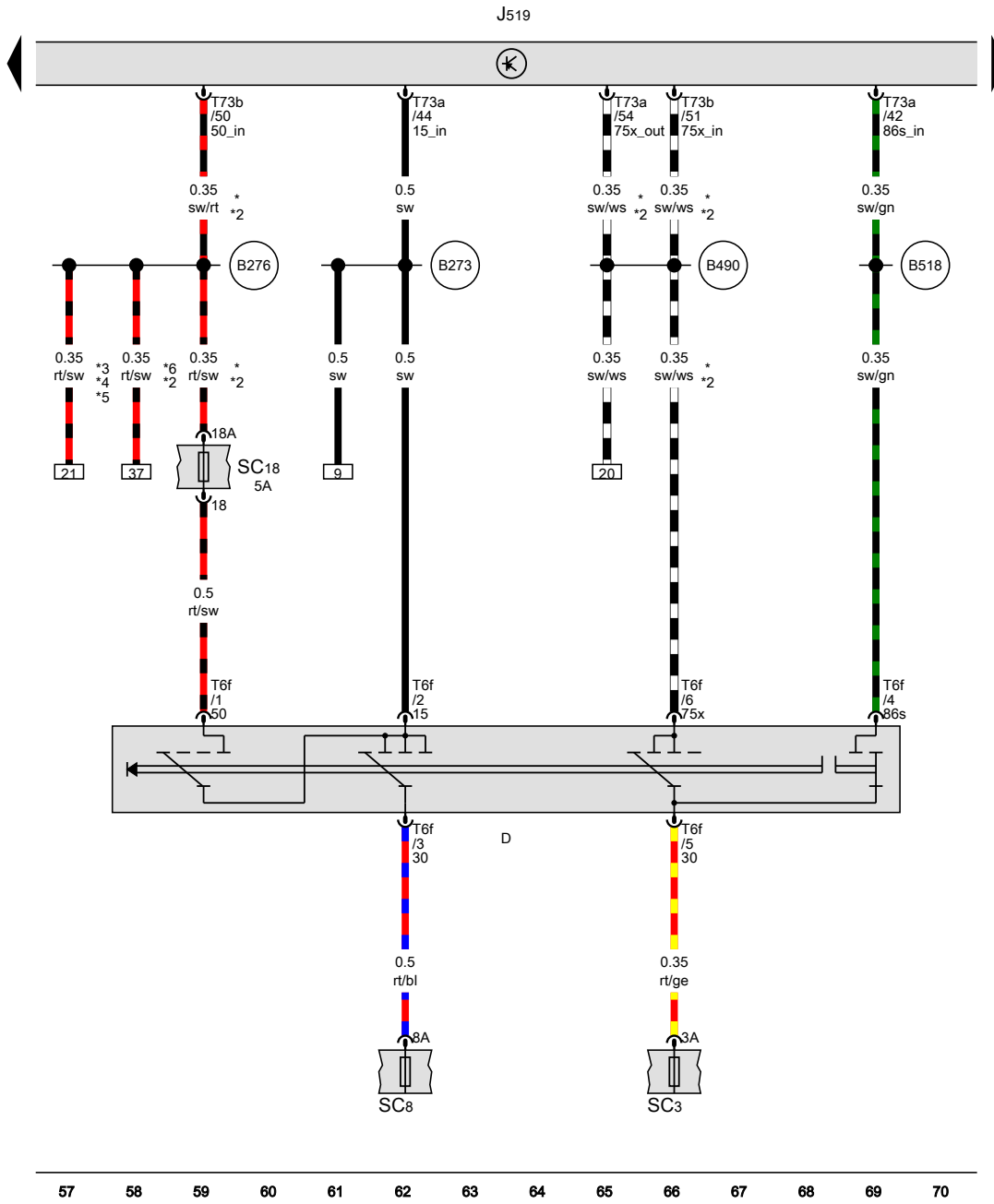
Alternator with voltage regulator, Fuse 6 on fuse holder C



- CX1 Alternator with voltage regulator
- J519 Onboard supply control unit
- L46 Rear left fog light bulb
- L47 Rear right fog light bulb
- SC6 Fuse 6 on fuse holder C
- T5i 5-pin connector, black
- T5k 5-pin connector, black
- T14c 14-pin connector, grey, near battery
- T17e 17-pin connector, red, near handbrake lever
- T73a 73-pin connector, black
- T73b 73-pin connector, colourless
- B231 Positive connection 5 (30a), in interior wiring harness
- B522 Connection (FL), in main wiring harness
- B569 Connection 36, in main wiring harness
- * For models with no start/stop system
- *2 For models with 2.0l engine
- *3 For models with rear fog light
- *4 see applicable current flow diagram for exterior lighting
- *5 For models with start/stop system
- *6 For models with 3.0l engine

- ws = white
- sw = black
- ro = red
- rt = red
- br = brown
- gn = green
- bl = blue
- gr = grey
- li = purple
- vi = purple
- ge = yellow
- or = orange
- rs = pink

1560-0630504201



Ignition/starter switch, Fuse 3 on fuse holder C, Fuse 8 on fuse holder C

- D Ignition/starter switch
- J519 Onboard supply control unit
- SC3 Fuse 3 on fuse holder C
- SC8 Fuse 8 on fuse holder C
- SC18 Fuse 18 on fuse holder C
- T6f 6-pin connector, black
- T73a 73-pin connector, black
- T73b 73-pin connector, colourless

- B273 Positive connection (15), in main wiring harness
- B276 Positive connection (50), in main wiring harness
- B490 Connection 26, in main wiring harness
- B518 Connection (86s), in main wiring harness

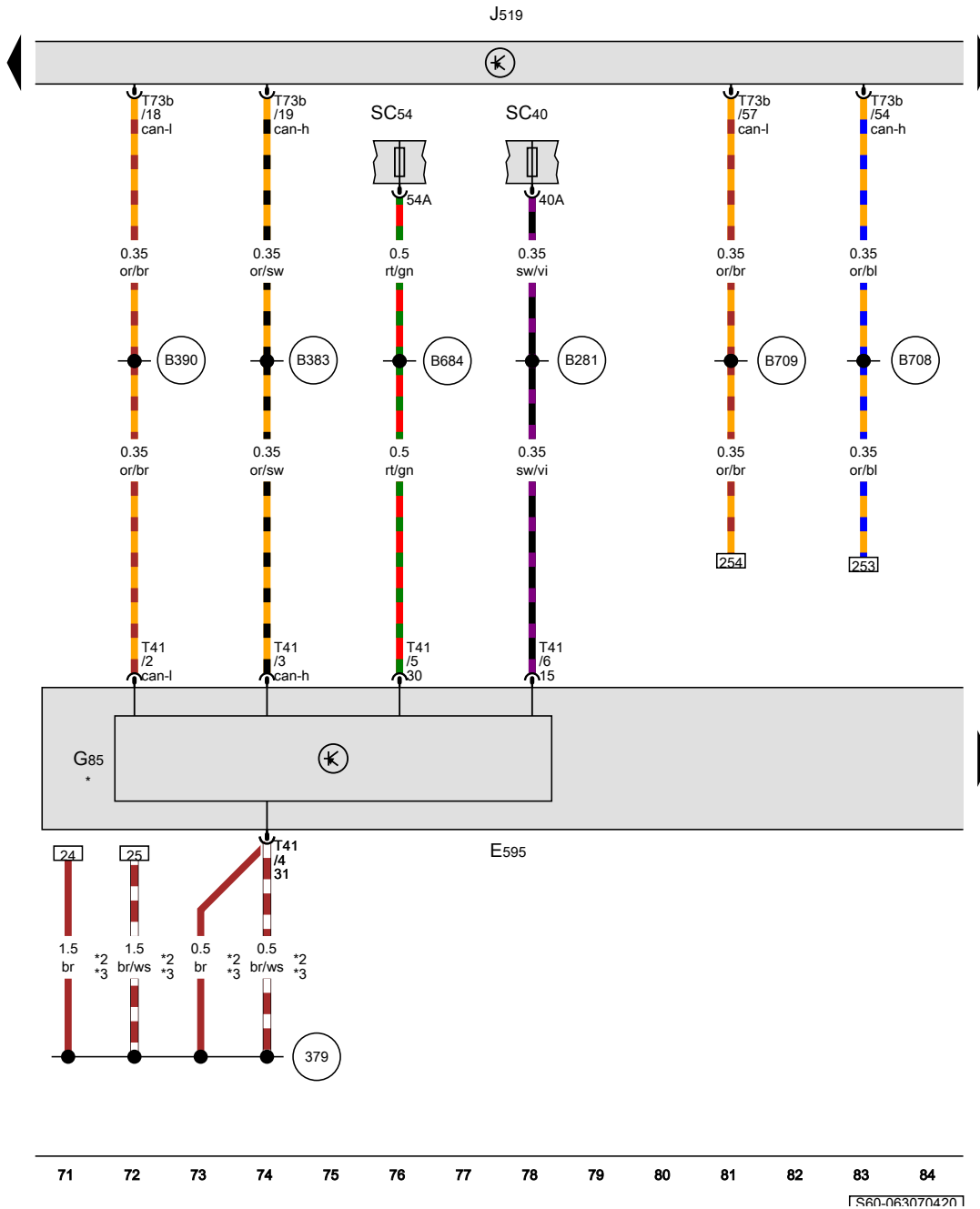
- * According to equipment see applicable current flow diagram for engine
- *2 For models with 2.0l engine
- *3 For models with manual gearbox
- *4 For models with no start/stop system
- *6 For models with 3.0l engine

- ws = white
- sw = black
- ro = red
- rt = red
- br = brown
- gn = green
- bl = blue
- gr = grey
- li = purple
- vi = purple
- ge = yellow
- or = orange
- rs = pink

57 58 59 60 61 62 63 64 65 66 67 68 69 70

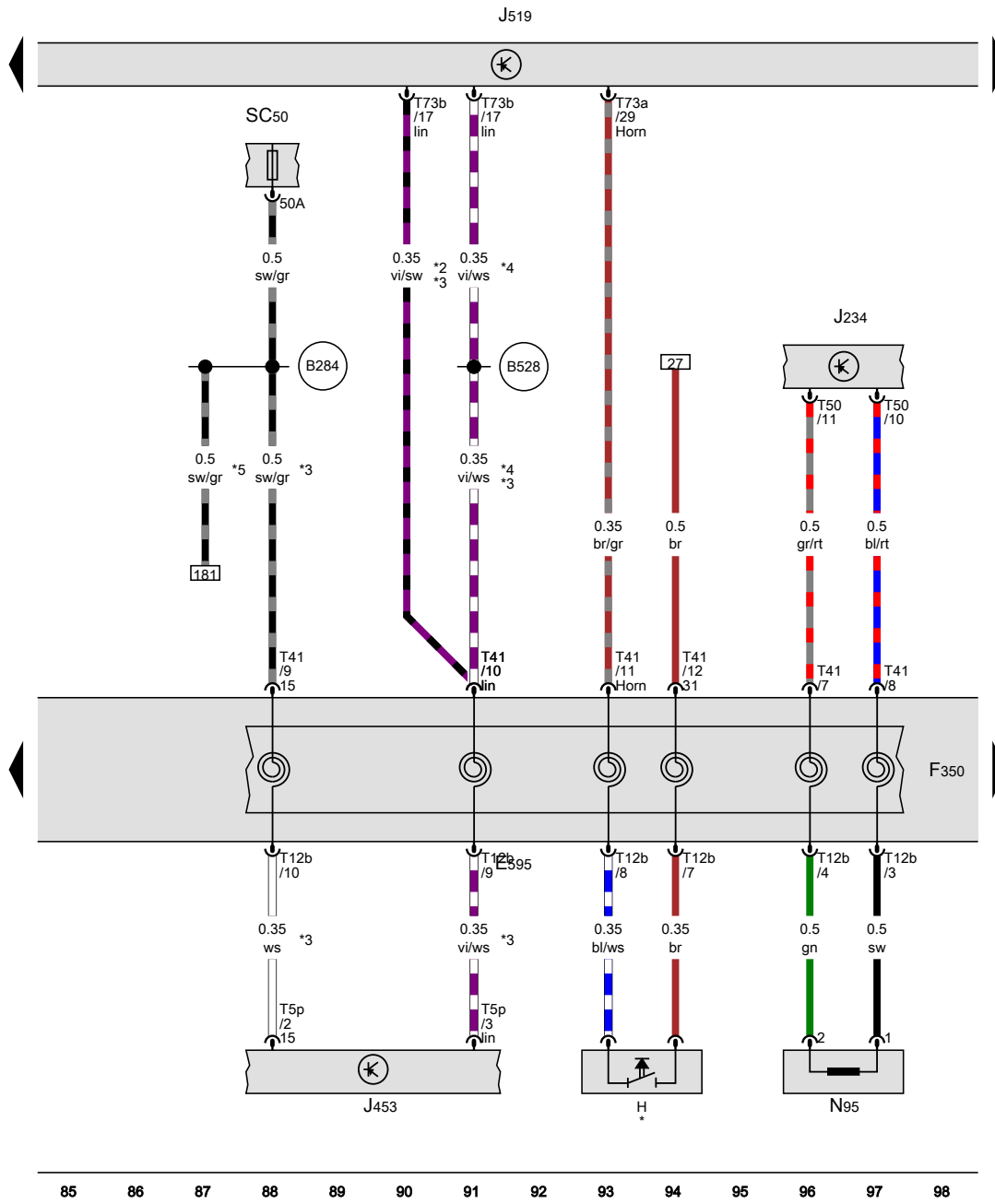
[S60-063060420]

Steering column combination switch, Steering angle sender



- E595 Steering column combination switch
- G85 Steering angle sender
- J519 Onboard supply control unit
- SC40 Fuse 40 on fuse holder C
- SC54 Fuse 54 on fuse holder C
- T41 41-pin connector, grey
- T73b 73-pin connector, colourless
- (379) Earth connection 14, in main wiring harness
- (B281) Positive connection 5 (15a) in main wiring harness
- (B383) Connection 1 (powertrain CAN bus, high), in main wiring harness
- (B390) Connection 1 (powertrain CAN bus, low), in main wiring harness
- (B684) Positive connection 24 (30a) in main wiring harness
- (B708) Connection 1 (dash panel insert CAN bus high) in main wiring harness
- (B709) Connection 1 (dash panel insert CAN bus low) in main wiring harness
- * For models with anti-lock brake system (ABS) and electronic stabilisation program (ESP)
- *2 Wiring colour depends on equipment
- *3 see applicable current flow diagram for earthing concept

- ws = white
- sw = black
- ro = red
- rt = red
- br = brown
- gn = green
- bl = blue
- gr = grey
- li = purple
- vi = purple
- ge = yellow
- or = orange
- rs = pink



Steering column combination switch, Coil connector, Horn plate, Airbag control unit, Multifunction steering wheel control unit

- E595 Steering column combination switch
- F350 Coil connector, on steering wheel
- H Horn plate
- J234 Airbag control unit
- J453 Multifunction steering wheel control unit
- J519 Onboard supply control unit
- N95 Airbag igniter on driver side
- SC50 Fuse 50 on fuse holder C
- T5p 5-pin connector, black
- T12b 12-pin connector, yellow
- T41 41-pin connector, grey
- T50 50-pin connector, yellow
- T73a 73-pin connector, black
- T73b 73-pin connector, colourless

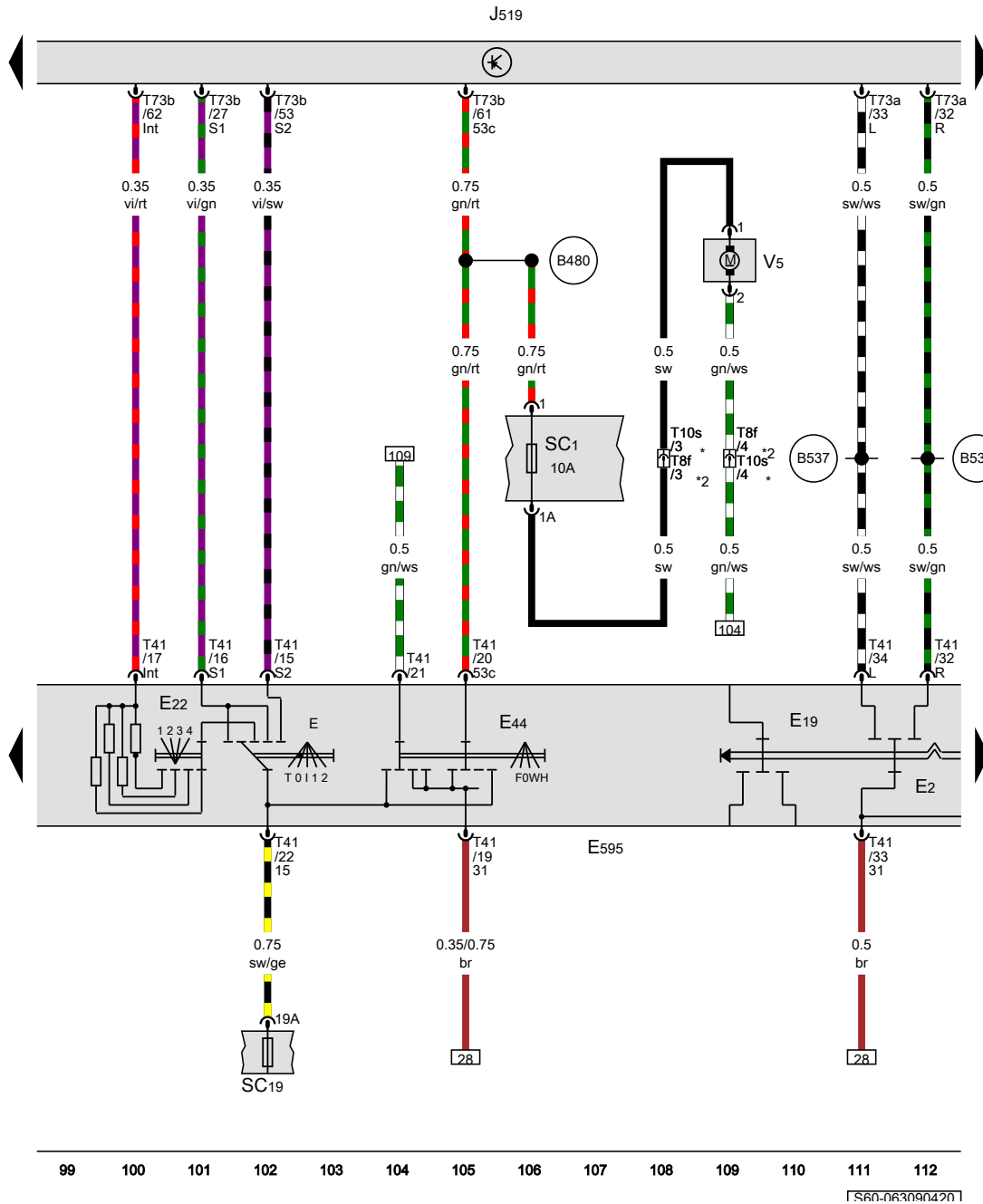
(B284) Positive connection 8 (15a) in main wiring harness

(B528) Connection 1 (LIN bus) in main wiring harness

- * For models with no multifunction steering wheel
- *2 For models with no electric window regulators
- *3 For models with multifunction steering wheel
- *4 For models with electric window regulators
- *5 For models with manual gearbox

- ws = white
- sw = black
- ro = red
- rt = red
- br = brown
- gn = green
- bl = blue
- gr = grey
- li = purple
- vi = purple
- ge = yellow
- or = orange
- rs = pink

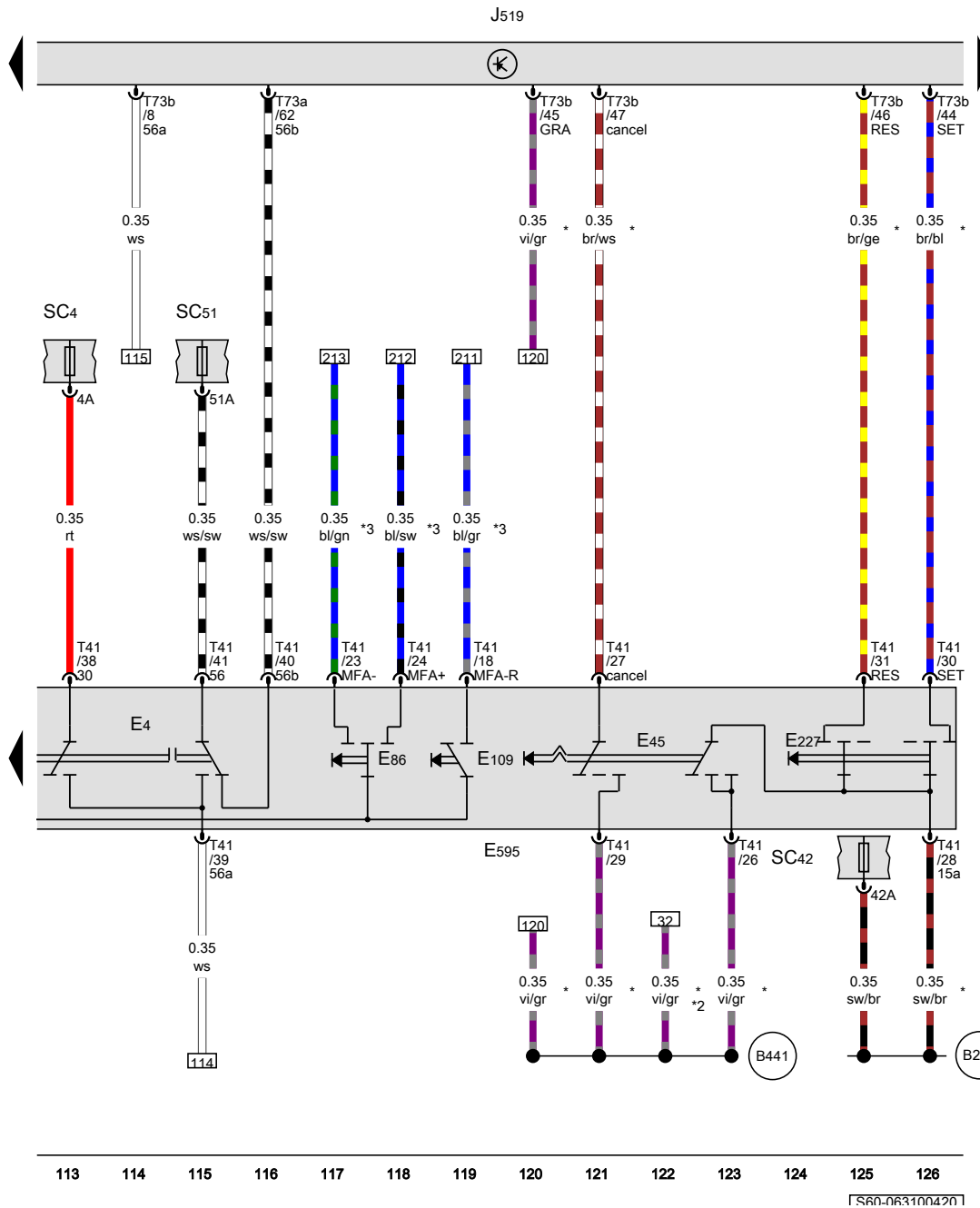
1S60-0630804201



Windscreen wiper switch, Turn signal switch, Washer pump switch (automatic wash/wipe and headlight washer system), Steering column combination switch, Washer pump

- E Windscreen wiper switch
 - E2 Turn signal switch
 - E19 Parking light switch
 - E22 Intermittent wiper switch
 - E44 Washer pump switch (automatic wash/wipe and headlight washer system)
 - E595 Steering column combination switch
 - J519 Onboard supply control unit
 - SC1 Fuse 1 on fuse holder C
 - SC19 Fuse 19 on fuse holder C
 - T8f 8-pin connector, black, in rear right of engine compartment
 - T10s 10-pin connector, black, in rear right of engine compartment
 - T41 41-pin connector, grey
 - T73a 73-pin connector, black
 - T73b 73-pin connector, colourless
 - V5 Washer pump
- (B480) Connection 16, in main wiring harness
 - (B537) Connection 28, in main wiring harness
 - (B538) Connection 29, in main wiring harness
- * For models with provision for side member lighting
 - *2 For models with no provision for side member lighting

- ws = white
- sw = black
- ro = red
- rt = red
- br = brown
- gn = green
- bl = blue
- gr = grey
- li = purple
- vi = purple
- ge = yellow
- or = orange
- rs = pink



Headlight dipper and flasher switch, Cruise control system switch, Multifunction display call-up button, Multifunction display memory switch, Steering column combination switch

- E4 Headlight dipper and flasher switch
- E45 Cruise control system switch
- E86 Multifunction display call-up button
- E109 Multifunction display memory switch
- E227 Cruise control system (CCS) SET button
- E595 Steering column combination switch
- J519 Onboard supply control unit
- SC4 Fuse 4 on fuse holder C
- SC42 Fuse 42 on fuse holder C
- SC51 Fuse 51 on fuse holder C
- T41 41-pin connector, grey
- T73a 73-pin connector, black
- T73b 73-pin connector, colourless

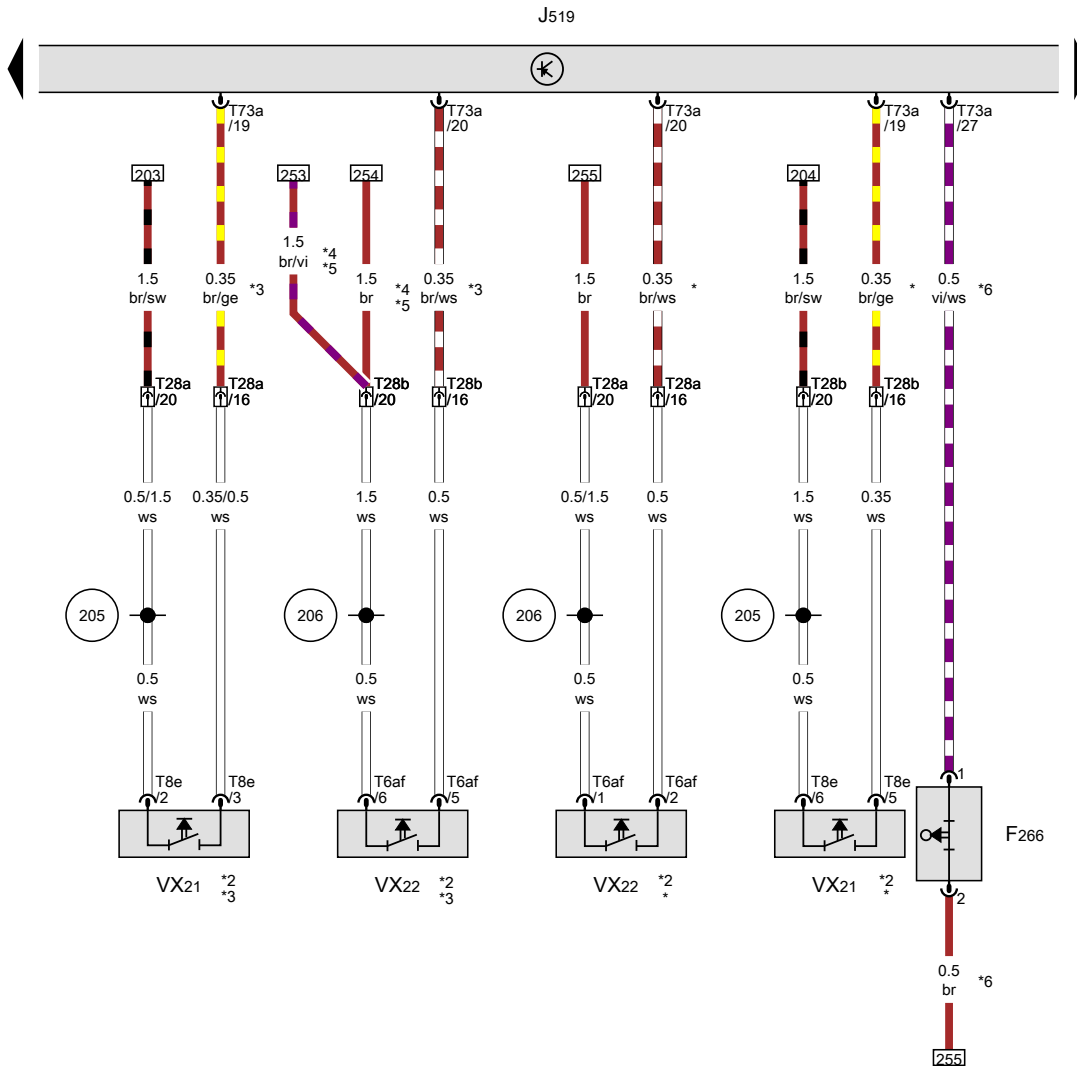
B283 Positive connection 7 (15a) in main wiring harness

B441 Connection (CCS), in main wiring harness

- * For models with cruise control system (CCS)
- *2 see applicable current flow diagram for engine
- *3 For models with multifunction display

- ws = white
- sw = black
- ro = red
- rt = red
- br = brown
- gn = green
- bl = blue
- gr = grey
- li = purple
- vi = purple
- ge = yellow
- or = orange
- rs = pink

Bonnet contact switch, Front passenger door lock unit

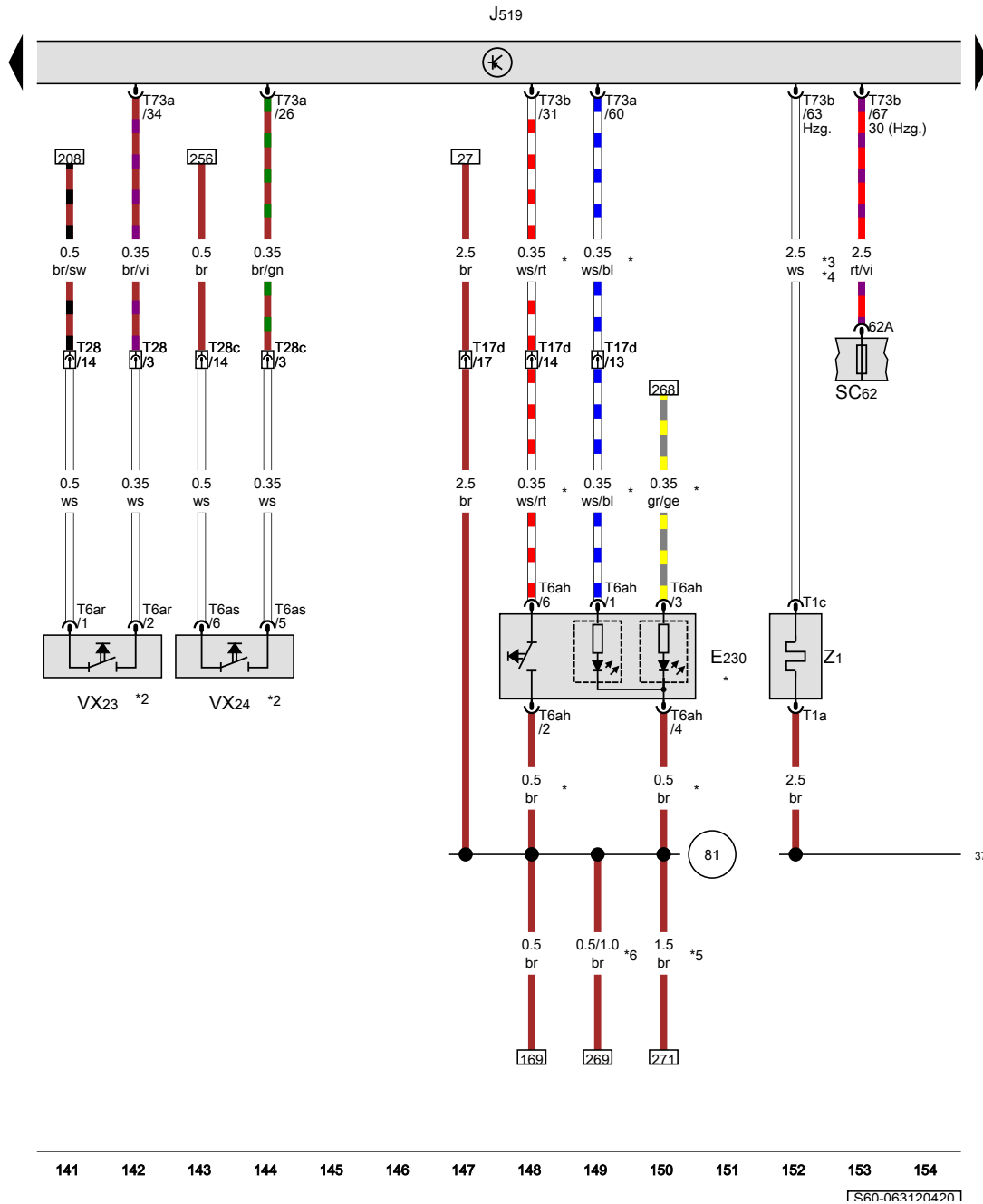


- F266 Bonnet contact switch
- J519 Onboard supply control unit
- T6af 6-pin connector, black
- T8e 8-pin connector, black
- T28a 28-pin connector, black, on left A-pillar
- T28b 28-pin connector, black, on right A-pillar
- T73a 73-pin connector, black
- VX21 Driver door lock unit
- VX22 Front passenger door lock unit

- 205 Earth connection, in driver door wiring harness
- 206 Earth connection, in front passenger door wiring harness

- * For right-hand drive models
- *2 For models with no central locking
- *3 For left-hand drive models
- *4 Wiring colour depends on equipment
- *5 see applicable current flow diagram for earthing concept
- *6 According to equipment

- ws = white
- sw = black
- ro = red
- rt = red
- br = brown
- gn = green
- bl = blue
- gr = grey
- li = purple
- vi = purple
- ge = yellow
- or = orange
- rs = pink



Heated rear window button, Rear left door lock unit, Rear right door lock unit, Heated rear window

- E230 Heated rear window button
- J519 Onboard supply control unit
- SC62 Fuse 62 on fuse holder C
- T1a 1-pin connector, black
- T1c 1-pin connector, black
- T6ah 6-pin connector, near radio
- T6ar 6-pin connector, black
- T6as 6-pin connector, black
- T17d 17-pin connector, green, behind dash panel
- T28 28-pin connector, black, on left B-pillar
- T28c 28-pin connector, black, on right B-pillar
- T73a 73-pin connector, black
- T73b 73-pin connector, colourless
- VX23 Rear left door lock unit
- VX24 Rear right door lock unit
- Z1 Heated rear window

81 Earth connection 1, in dash panel wiring harness

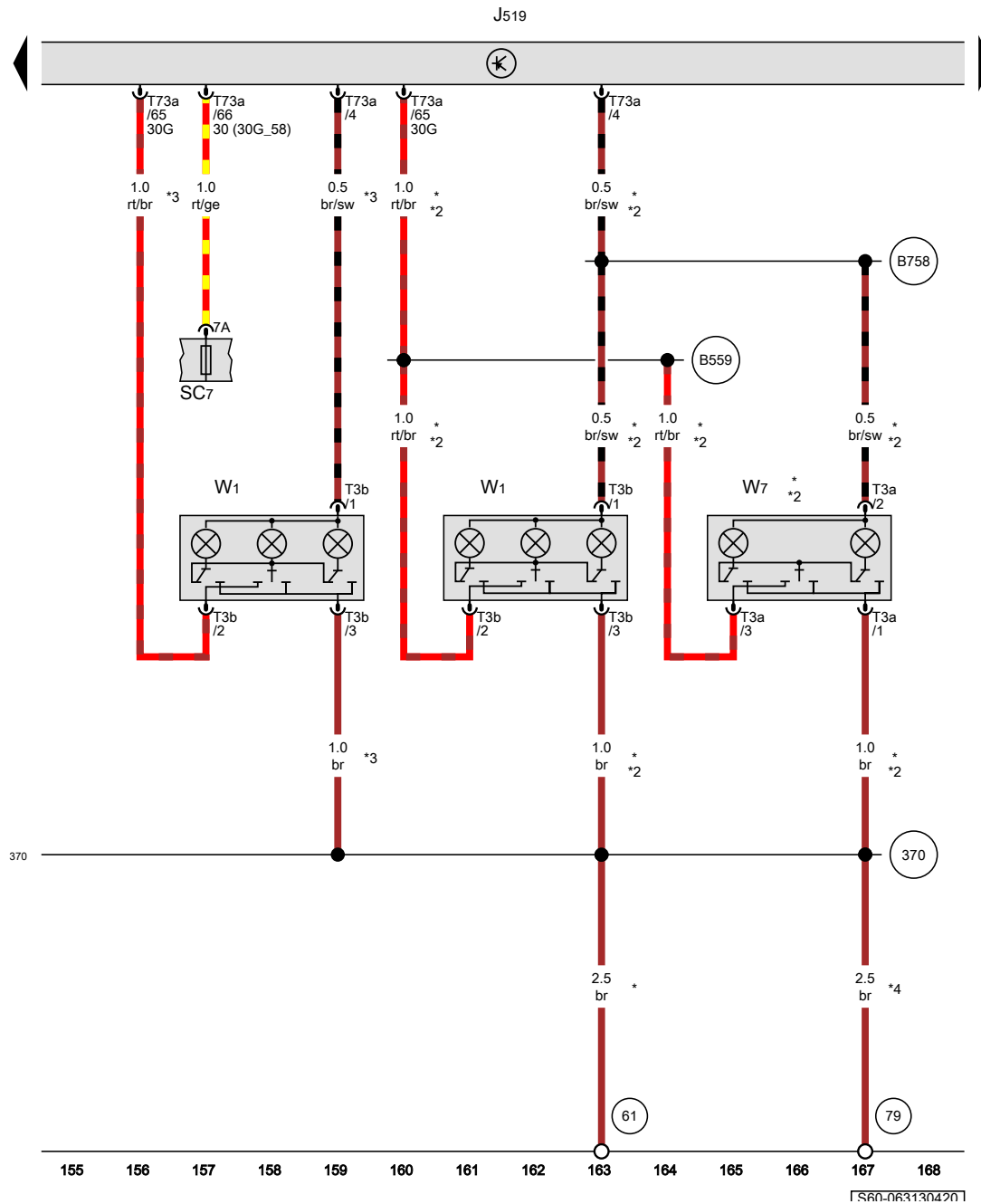
370 Earth connection 5, in main wiring harness

- * For models with no air conditioning system/Climatronic
- *2 For models with no central locking
- *3 For models with no hardtop
- *4 see applicable current flow diagram for hardtop
- *5 For models with 12 V socket
- *6 For models with Highline equipment

- ws = white
- sw = black
- ro = red
- br = brown
- gn = green
- bl = blue
- gr = grey
- li = purple
- vi = purple
- ge = yellow
- or = orange
- rs = pink

141 142 143 144 145 146 147 148 149 150 151 152 153 154

1560-0631204201



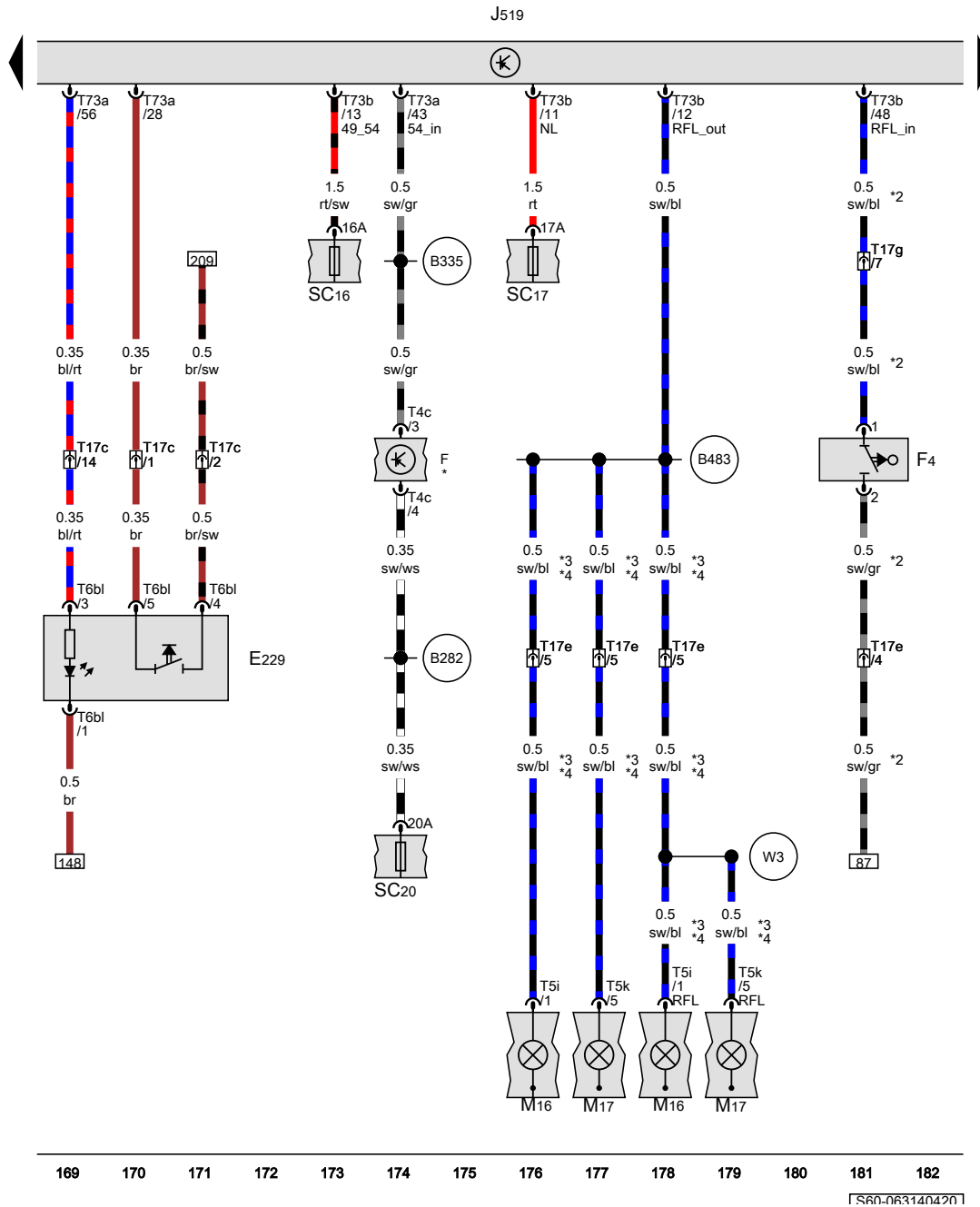
Front interior light, Centre interior light

- J519 Onboard supply control unit
- SC7 Fuse 7 on fuse holder C
- T3a 3-pin connector, black
- T3b 3-pin connector, black
- T73a 73-pin connector, black
- W1 Front interior light
- W7 Centre interior light

- (61) Earth point, left C-pillar
- (79) Earth point on left B-pillar
- (370) Earth connection 5, in main wiring harness
- (B559) Positive connection 1 (30g), in main wiring harness
- (B758) Connection 1 (Dct), in main wiring harness

- * For models with double cab
- *2 For models with Highline equipment
- *3 For models with basic equipment
- *4 For models with single cab

- ws = white
- sw = black
- ro = red
- rt = red
- br = brown
- gn = green
- bl = blue
- gr = grey
- li = purple
- vi = purple
- ge = yellow
- or = orange
- rs = pink



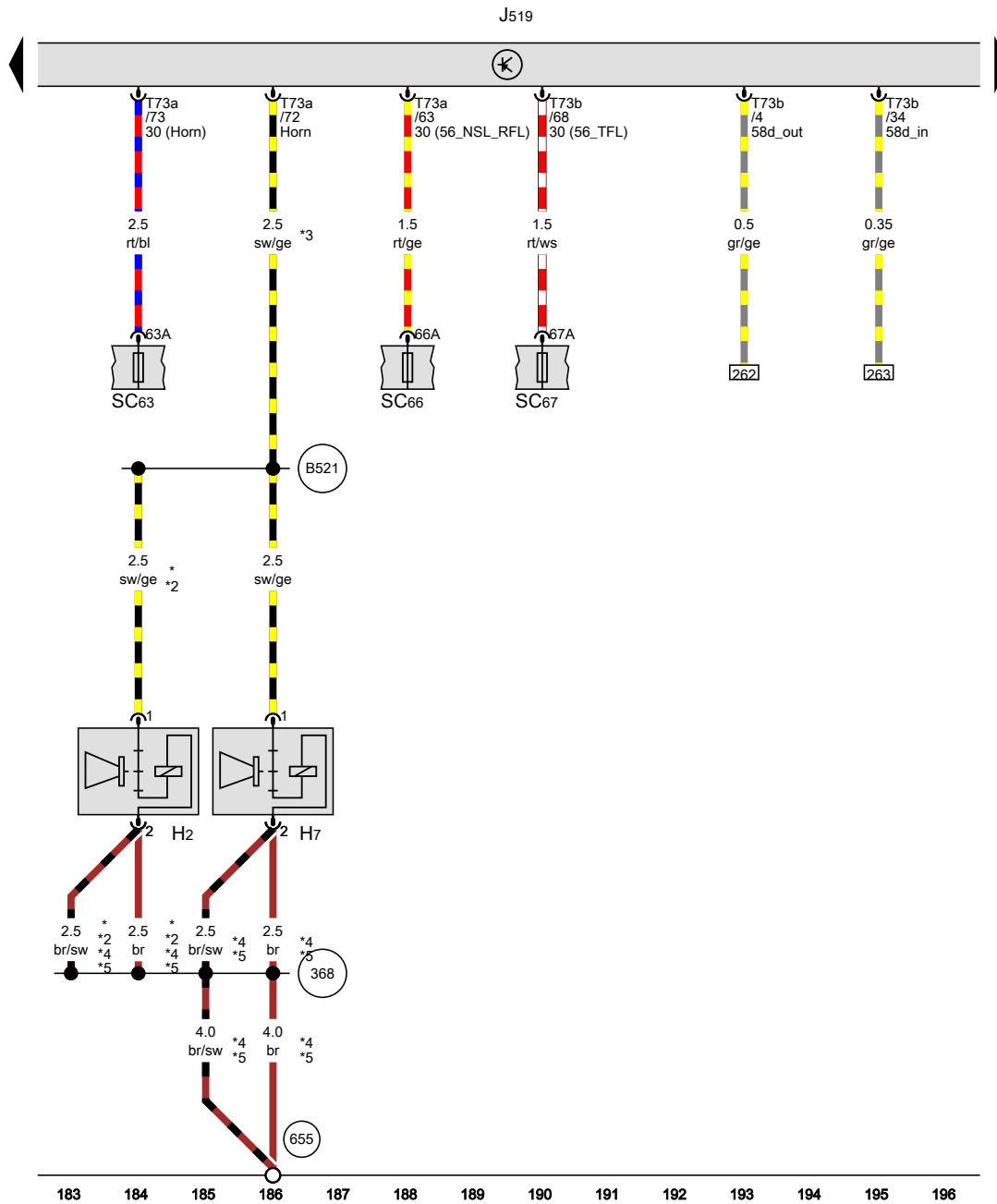
Hazard warning lights button, Brake light switch, Reversing light switch

- E229 Hazard warning lights button
- F Brake light switch
- F4 Reversing light switch
- J519 Onboard supply control unit
- M16 Left reversing light bulb
- M17 Right reversing light bulb
- SC16 Fuse 16 on fuse holder C
- SC17 Fuse 17 on fuse holder C
- SC20 Fuse 20 on fuse holder C
- T4c 4-pin connector, black
- T5i 5-pin connector, black
- T5k 5-pin connector, black
- T6bl 6-pin connector, black, near radio
- T17c 17-pin connector, white, on left under dash panel
- T17e 17-pin connector, red, near handbrake lever
- T17g 17-pin connector, black, near handbrake lever
- T73a 73-pin connector, black
- T73b 73-pin connector, colourless
- B282 Positive connection 6 (15a) in main wiring harness
- B335 Connection 1 (54), in main wiring harness
- B483 Connection 19, in main wiring harness
- W3 Connection in rear wiring harness
- * see applicable current flow diagram for engine
- *2 For models with manual gearbox
- *3 According to equipment
- *4 see applicable current flow diagram for exterior lighting

- ws = white
- sw = black
- ro = red
- rt = red
- br = brown
- gn = green
- bl = blue
- gr = grey
- li = purple
- vi = purple
- ge = yellow
- or = orange
- rs = pink



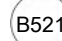
169 170 171 172 173 174 175 176 177 178 179 180 181 182

TS60-0631404201



Treble horn

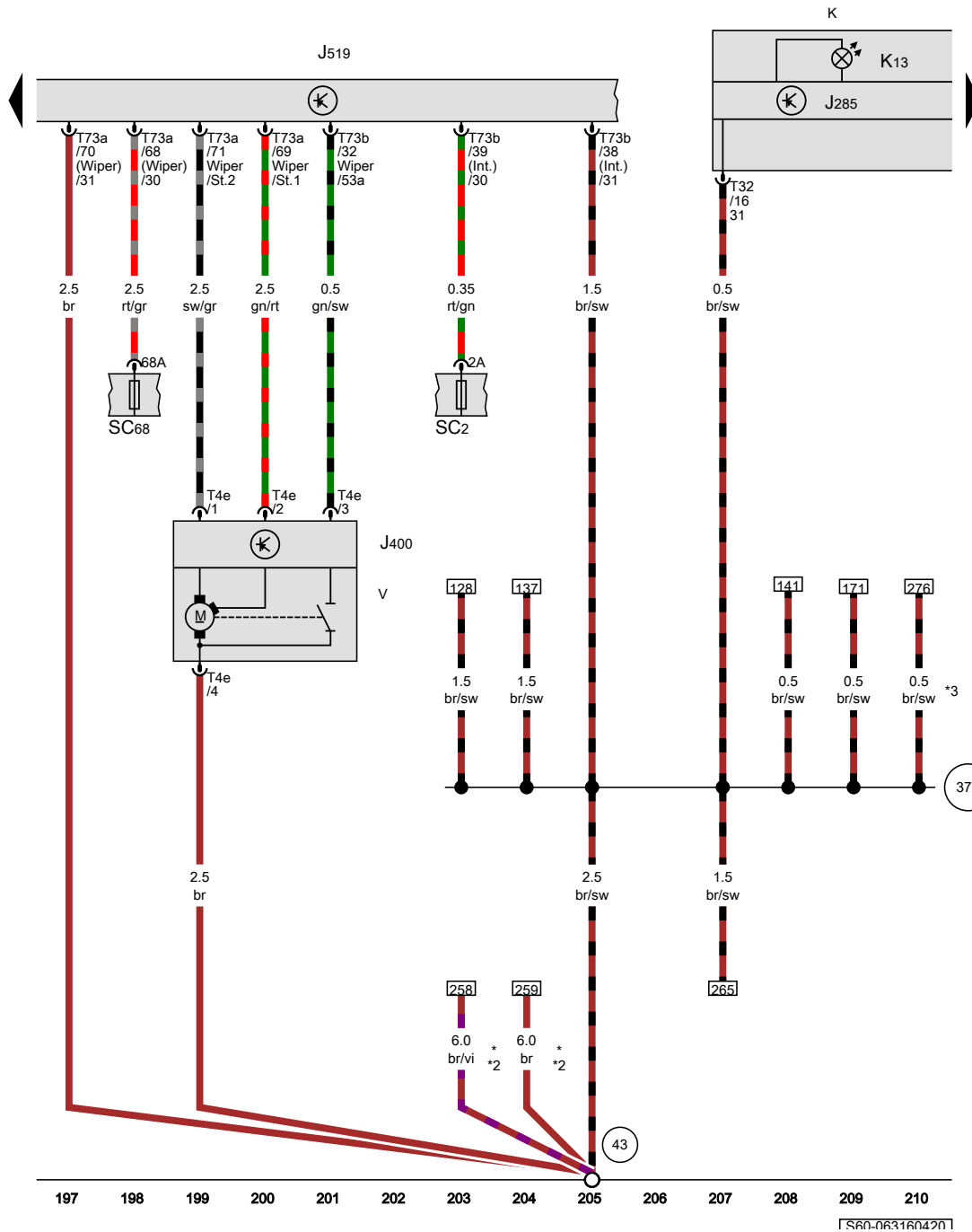
- H2 Treble horn
- H7 Bass horn
- J519 Onboard supply control unit
- SC63 Fuse 63 on fuse holder C
- SC66 Fuse 66 on fuse holder C
- SC67 Fuse 67 on fuse holder C
- T73a 73-pin connector, black
- T73b 73-pin connector, colourless

-  368 Earth connection 3, in main wiring harness
-  655 Earth point, on left headlight
-  B521 Connection (dual tone horn), in main wiring harness

- * For models with Highline equipment
- *2 For models with Trendline equipment
- *3 For models with no anti-theft alarm system
- *4 Wiring colour depends on equipment
- *5 see applicable current flow diagram for earthing concept

- ws = white
- sw = black
- ro = red
- rt = red
- br = brown
- gn = green
- bl = blue
- gr = grey
- li = purple
- vi = purple
- ge = yellow
- or = orange
- rs = pink

[S60-063150420]



Dash panel insert, Windscreen wiper motor

- J285 Control unit in dash panel insert
- J400 Wiper motor control unit
- J519 Onboard supply control unit
- K Dash panel insert
- K13 Rear fog light warning lamp
- SC2 Fuse 2 on fuse holder C
- SC68 Fuse 68 on fuse holder C
- T4e 4-pin connector, black
- T32 32-pin connector, blue
- T73a 73-pin connector, black
- T73b 73-pin connector, colourless
- V Windscreen wiper motor

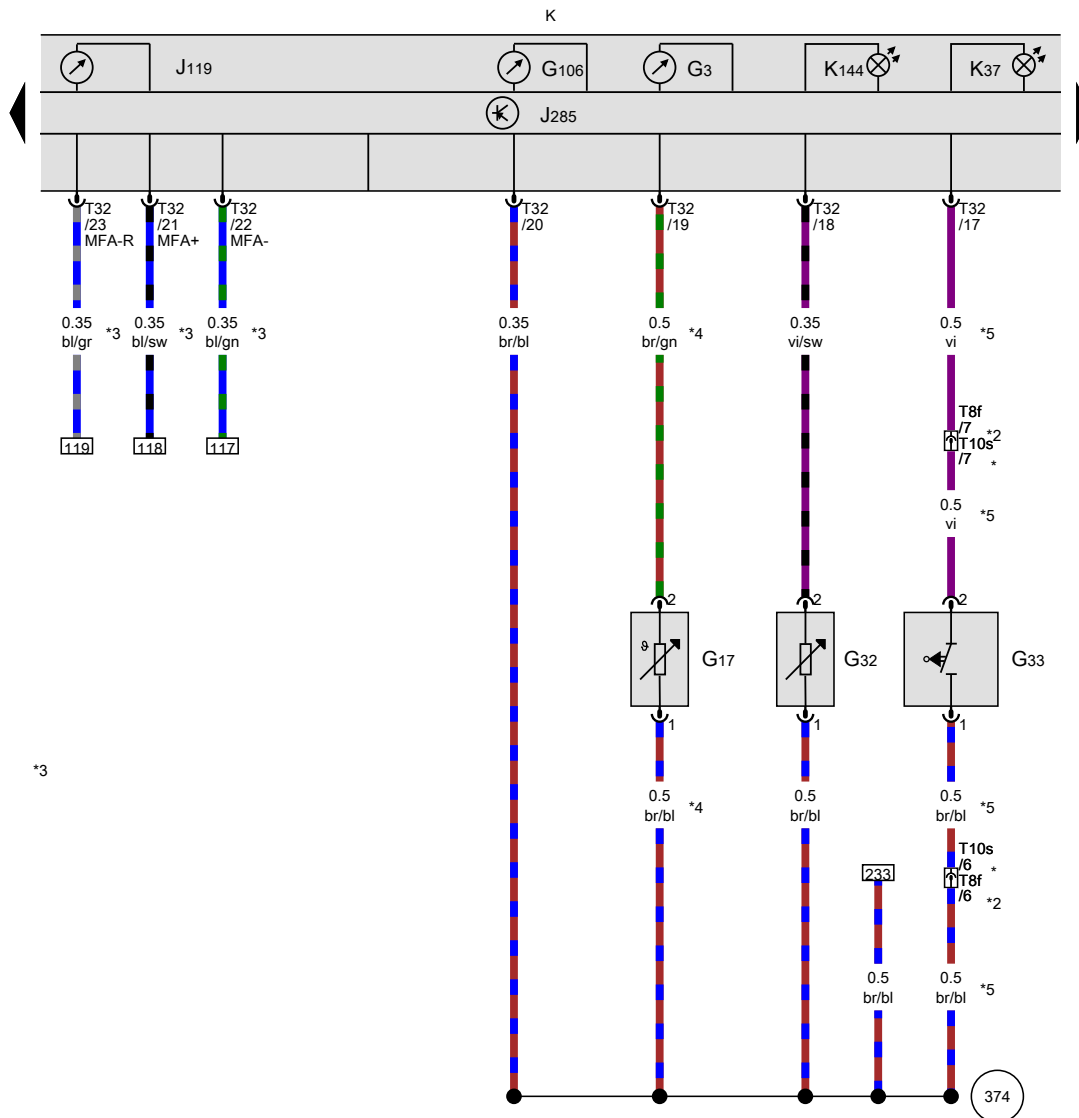
43 Earth point, lower part of right A-pillar

372 Earth connection 7, in main wiring harness

- * Wiring colour depends on equipment
- *2 see applicable current flow diagram for earthing concept
- *3 For models with heated washer jets

- ws = white
- sw = black
- ro = red
- rt = red
- br = brown
- gn = green
- bl = blue
- gr = grey
- li = purple
- vi = purple
- ge = yellow
- or = orange
- rs = pink

1560-0631604201



Coolant temperature gauge, Ambient temperature sensor, Coolant shortage indicator sender, Windscreen washer fluid level sender, Ambient temperature indicator, Multifunction indicator, Dash panel insert, Washer fluid level warning lamp, Warning lamp for airbag deactivated on driver side

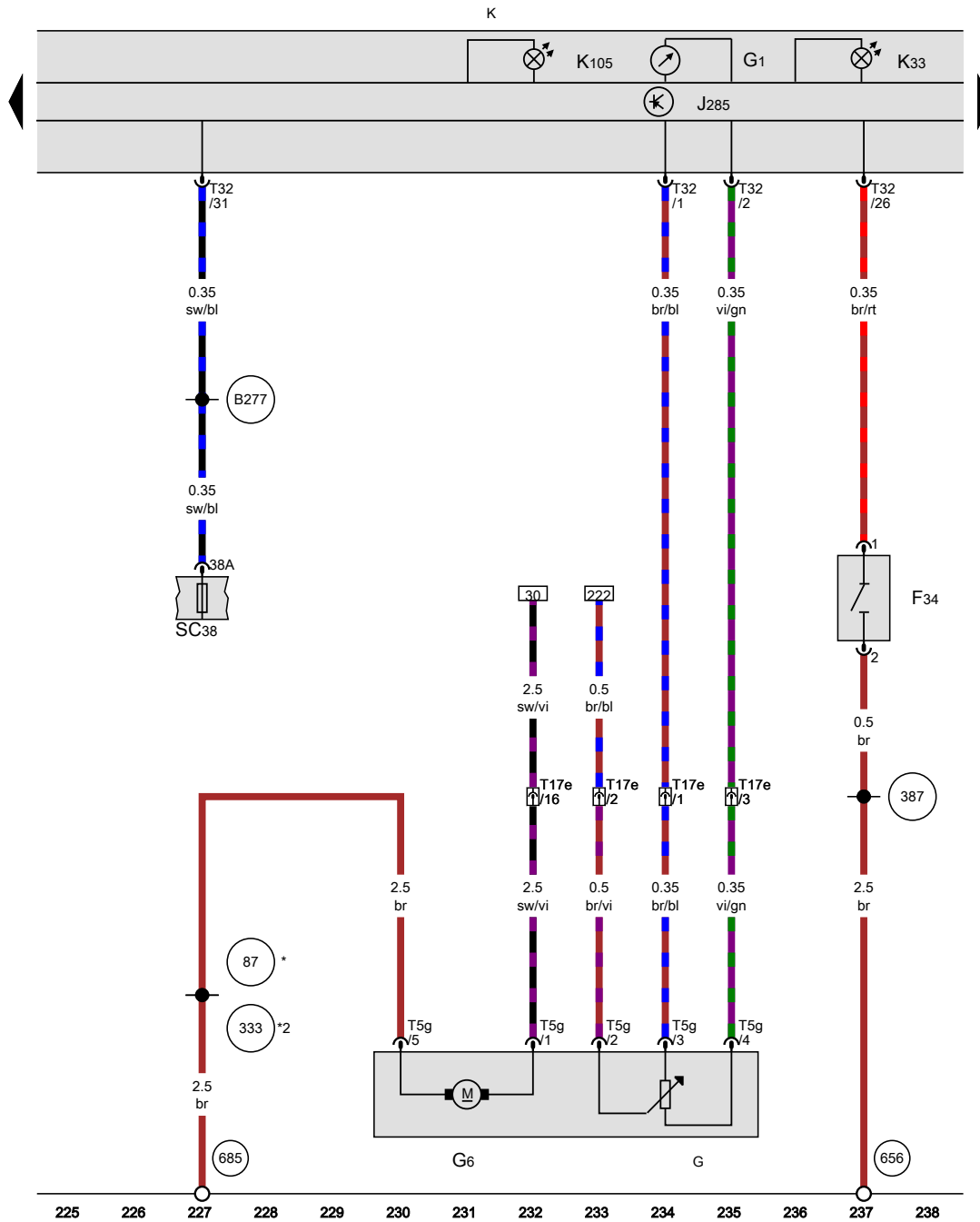
- G3 Coolant temperature gauge
- G17 Ambient temperature sensor
- G32 Coolant shortage indicator sender
- G33 Windscreen washer fluid level sender
- G106 Ambient temperature indicator
- J119 Multifunction indicator
- J285 Control unit in dash panel insert
- K Dash panel insert
- K37 Washer fluid level warning lamp
- K144 Warning lamp for airbag deactivated on driver side
- T8f 8-pin connector, black, in rear right of engine compartment
- T10s 10-pin connector, black, in rear right of engine compartment
- T32 32-pin connector, blue
- 374 Earth connection 9, in main wiring harness
- * For models with provision for side member lighting
- *2 For models with no provision for side member lighting
- *3 For models with multifunction display
- *4 According to equipment
- *5 For models with windscreen washer fluid level sender

- ws = white
- sw = black
- ro = red
- rt = red
- br = brown
- gn = green
- bl = blue
- gr = grey
- li = purple
- vi = purple
- ge = yellow
- or = orange
- rs = pink

*3

211 212 213 214 215 216 217 218 219 220 221 222 223 224

1S60-0631704201



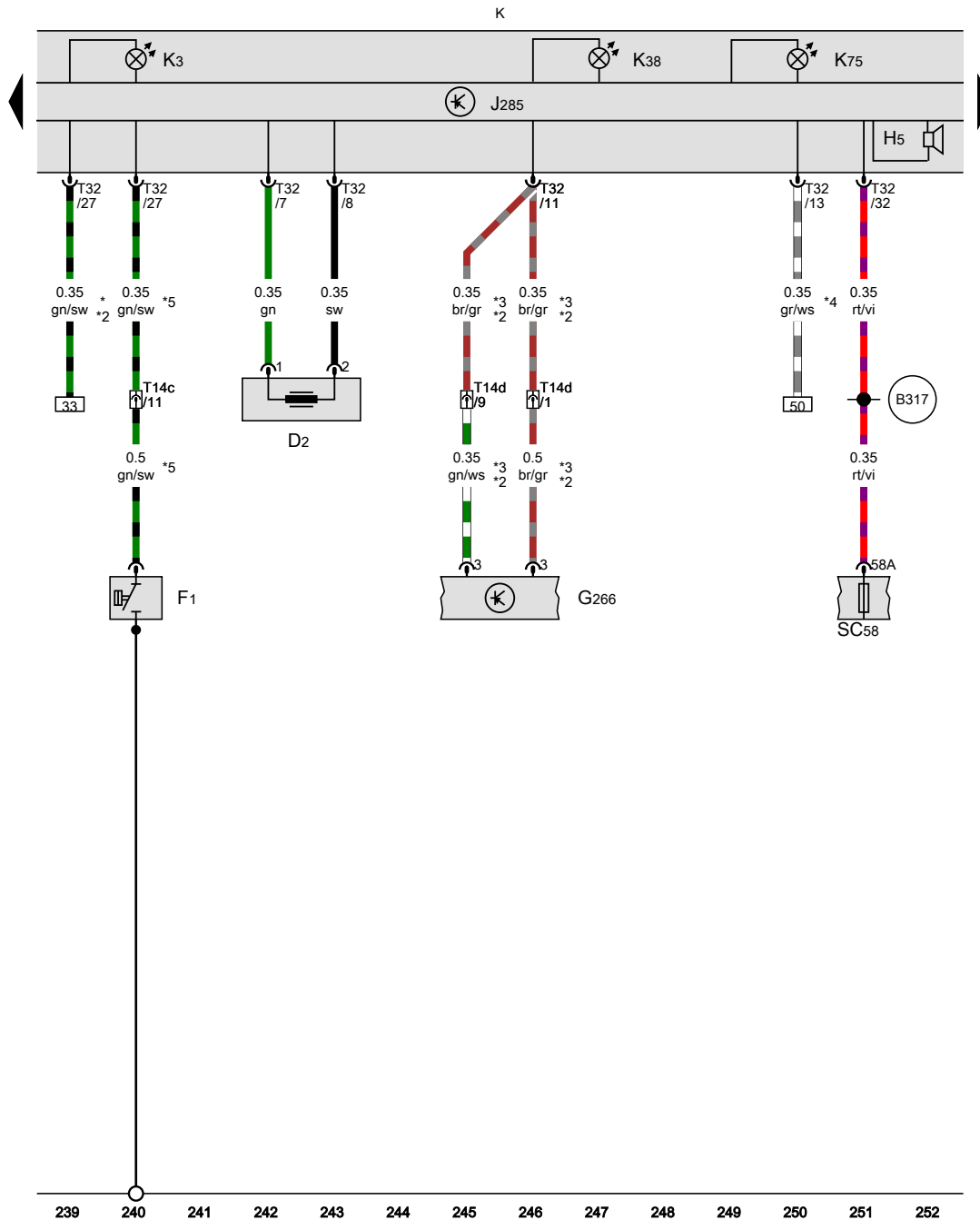
Brake fluid level warning contact, Fuel gauge, Fuel system pressurisation pump, Dash panel insert, Brake fluid level warning lamp, Reserve fuel warning lamp

- F34 Brake fluid level warning contact
- G Fuel gauge sender
- G1 Fuel gauge
- G6 Fuel system pressurisation pump
- J285 Control unit in dash panel insert
- K Dash panel insert
- K33 Brake fluid level warning lamp
- K105 Reserve fuel warning lamp
- SC38 Fuse 38 on fuse holder C
- T5g 5-pin connector, black
- T17e 17-pin connector, red, near handbrake lever
- T32 32-pin connector, blue

- 87 Earth connection 2, in rear wiring harness
- 333 Earth connection 5, in rear wiring harness
- 387 Earth connection 22, in main wiring harness
- 656 Earth point, on right headlight, on right on bulkhead
- 685 Earth point 1, on front of right longitudinal member
- B277 Positive connection 1 (15a) in main wiring harness
- * For models with 2.0l engine
- *2 For models with 3.0l engine

- ws = white
- sw = black
- ro = red
- rt = red
- br = brown
- gn = green
- bl = blue
- gr = grey
- li = purple
- vi = purple
- ge = yellow
- or = orange
- rs = pink

1560-0631804201



Immobiliser reader coil, Oil pressure switch, Oil level and oil temperature sender, Ignition and starter key warning system buzzer and gong, Dash panel insert, Oil pressure warning lamp, Oil level warning lamp

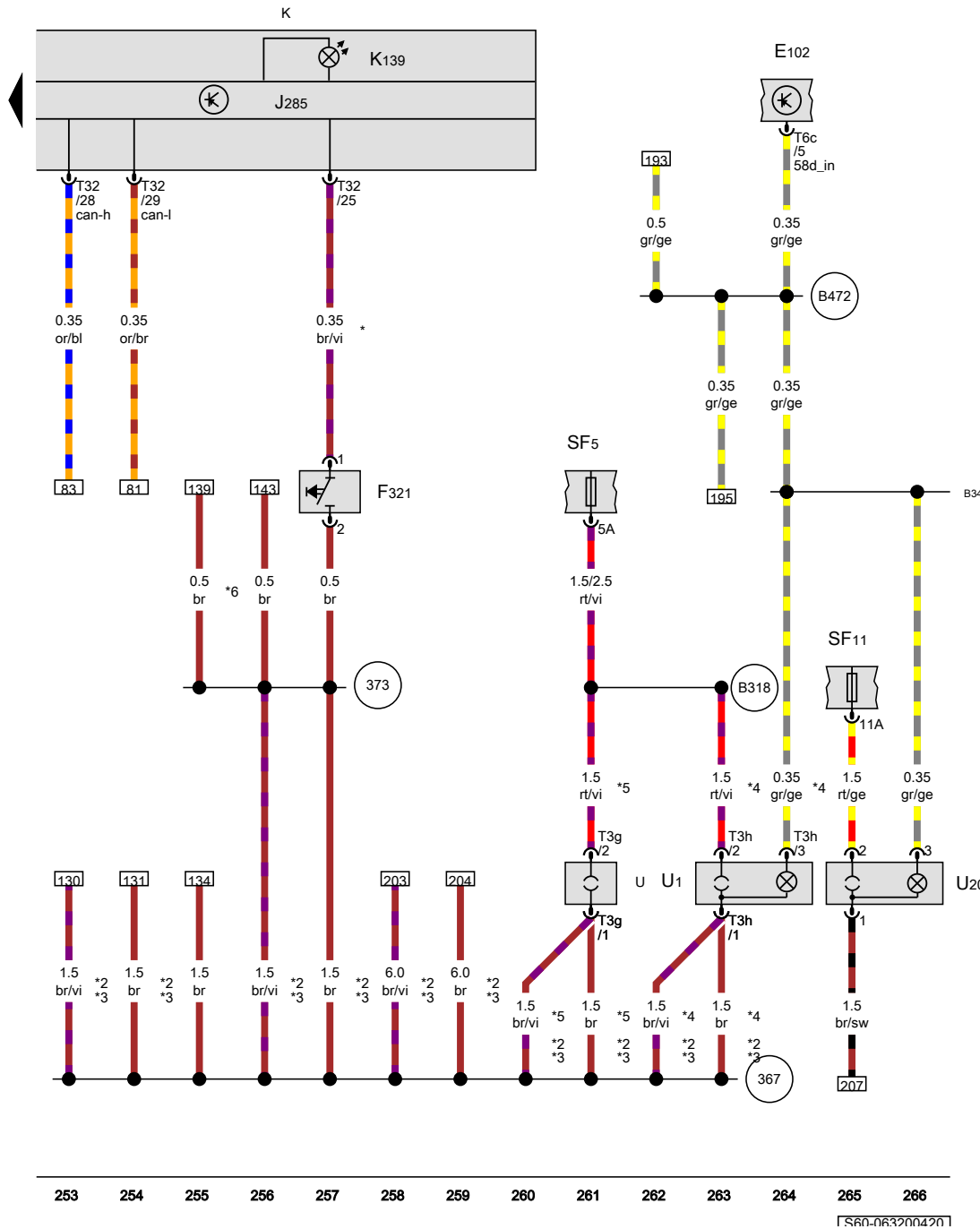
- D2 Immobiliser reader coil, on ignition/starter switch
- F1 Oil pressure switch
- G266 Oil level and oil temperature sender
- H5 Ignition and starter key warning system buzzer and gong
- J285 Control unit in dash panel insert
- K Dash panel insert
- K3 Oil pressure warning lamp
- K38 Oil level warning lamp
- K75 Airbag warning lamp
- SC58 Fuse 58 on fuse holder C
- T14c 14-pin connector, grey, near battery
- T14d 14-pin connector, black, near battery
- T32 32-pin connector, blue

B317 Positive connection 3 (30a) in main wiring harness

- * For models with 3.0l engine
- *2 see applicable current flow diagram for engine
- *3 According to equipment
- *4 For models with rear fog light
- *5 For models with 2.0l engine

- ws = white
- sw = black
- ro = red
- rt = red
- br = brown
- gn = green
- bl = blue
- gr = grey
- li = purple
- vi = purple
- ge = yellow
- or = orange
- rs = pink

1560-0631904201

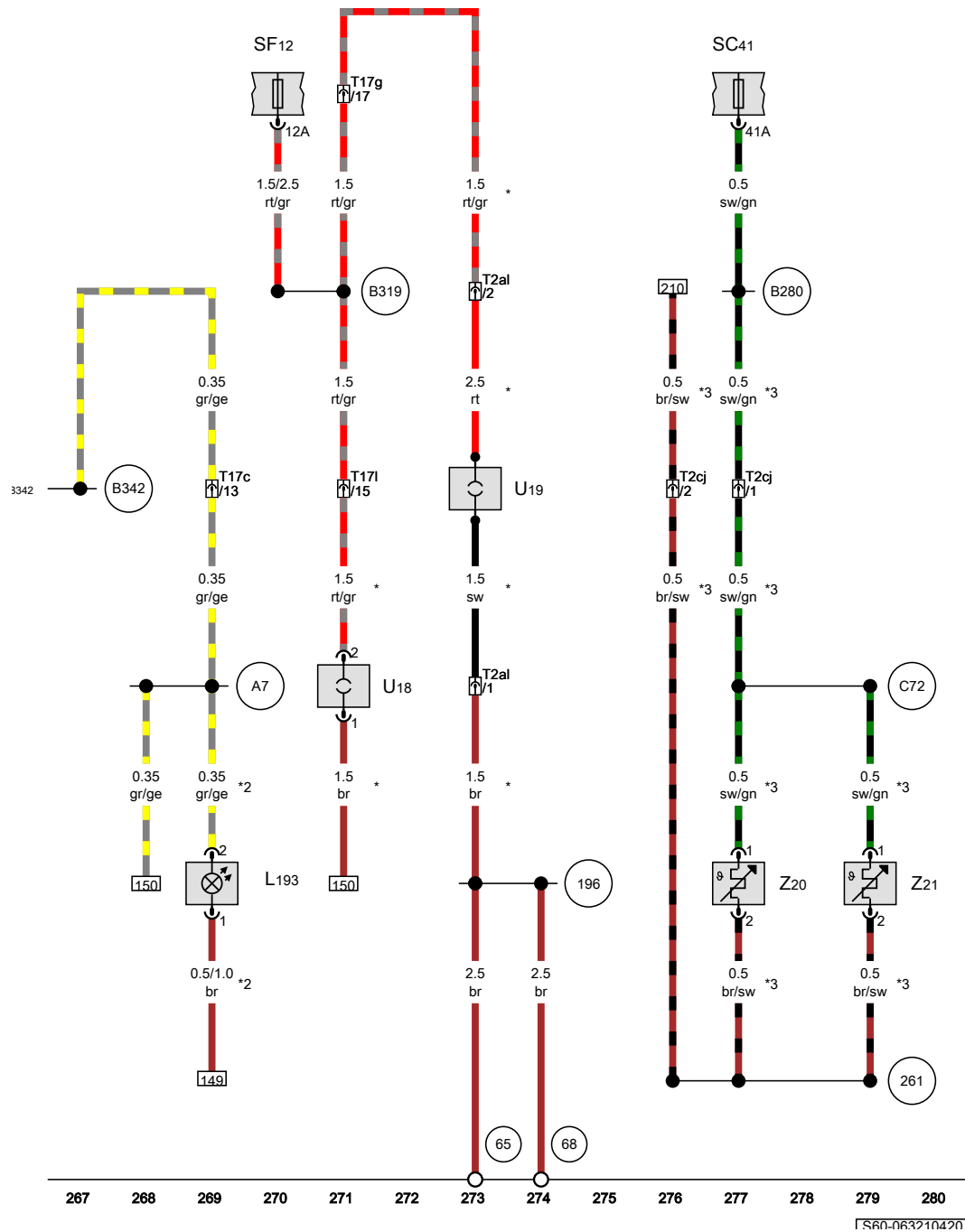


- ws = white
- sw = black
- ro = red
- rt = red
- br = brown
- gn = green
- bl = blue
- gr = grey
- li = purple
- vi = purple
- ge = yellow
- or = orange
- rs = pink

Parking brake contact switch, Dash panel insert, Electric socket, Cigarette lighter, 12 V socket 4

- E102 Headlight range control regulator
- F321 Parking brake contact switch
- J285 Control unit in dash panel insert
- K Dash panel insert
- K139 Handbrake warning lamp
- SF5 Fuse 5 in fuse holder F
- SF11 Fuse 11 in fuse holder F
- T3g 3-pin connector, transparent
- T3h 3-pin connector, transparent
- T6c 6-pin connector, black
- T32 32-pin connector, blue
- U Electric socket, on centre console switch module
- U1 Cigarette lighter, on centre console switch module
- U20 12 V socket 4, in rear centre console
- 367 Earth connection 2, in main wiring harness
- 373 Earth connection 8, in main wiring harness
- B318 Positive connection 4 (30a) in main wiring harness
- B342 Connection 3 (58d), in main wiring harness
- B472 Connection 8, in main wiring harness
- * For models with no electric interface
- *2 Wiring colour depends on equipment
- *3 see applicable current flow diagram for earthing concept
- *4 For smoker version models
- *5 For models with 12 V socket
- *6 According to equipment

1560-0632004201



Light 1 for front centre console background lighting, 12 V socket 2, Left washer jet heater element

- L193 Light 1 for front centre console background lighting, in centre console, under radio
- SF12 Fuse 12 in fuse holder F
- SC41 Fuse 41 on fuse holder C
- T2al 2-pin connector, black, Interface for rear left socket, on wheel housing
- T2cj 2-pin connector, black, near window wiper motor
- T17c 17-pin connector, white, on left under dash panel
- T17g 17-pin connector, black, near handbrake lever
- T171 17-pin connector, brown, behind dash panel
- U18 12 V socket 2, in centre of dash panel, in storage compartment
- U19 12 V socket 3, on left wheel housing
- Z20 Left washer jet heater element
- Z21 Right washer jet heater element

- (65) Earth point, on rear of left longitudinal member
- (68) Earth point, on left of rear cross member
- (196) Earth connection 3, in rear wiring harness
- (261) Earth connection, in heated washer jet wiring harness
- (A7) Positive connection (58 D1), in dash panel wiring harness
- (B280) Positive connection 4 (15a) in main wiring harness
- (B319) Positive connection 5 (30a) in main wiring harness
- (B342) Connection 3 (58d), in main wiring harness
- (C72) Positive connection in heated washer jet wiring harness

- ws = white
- sw = black
- ro = red
- rt = red
- br = brown
- gn = green
- bl = blue
- gr = grey
- li = purple
- vi = purple
- ge = yellow
- or = orange
- rs = pink

- * For models with 12 V socket
- *2 For models with Highline equipment
- *3 For models with heated washer jets

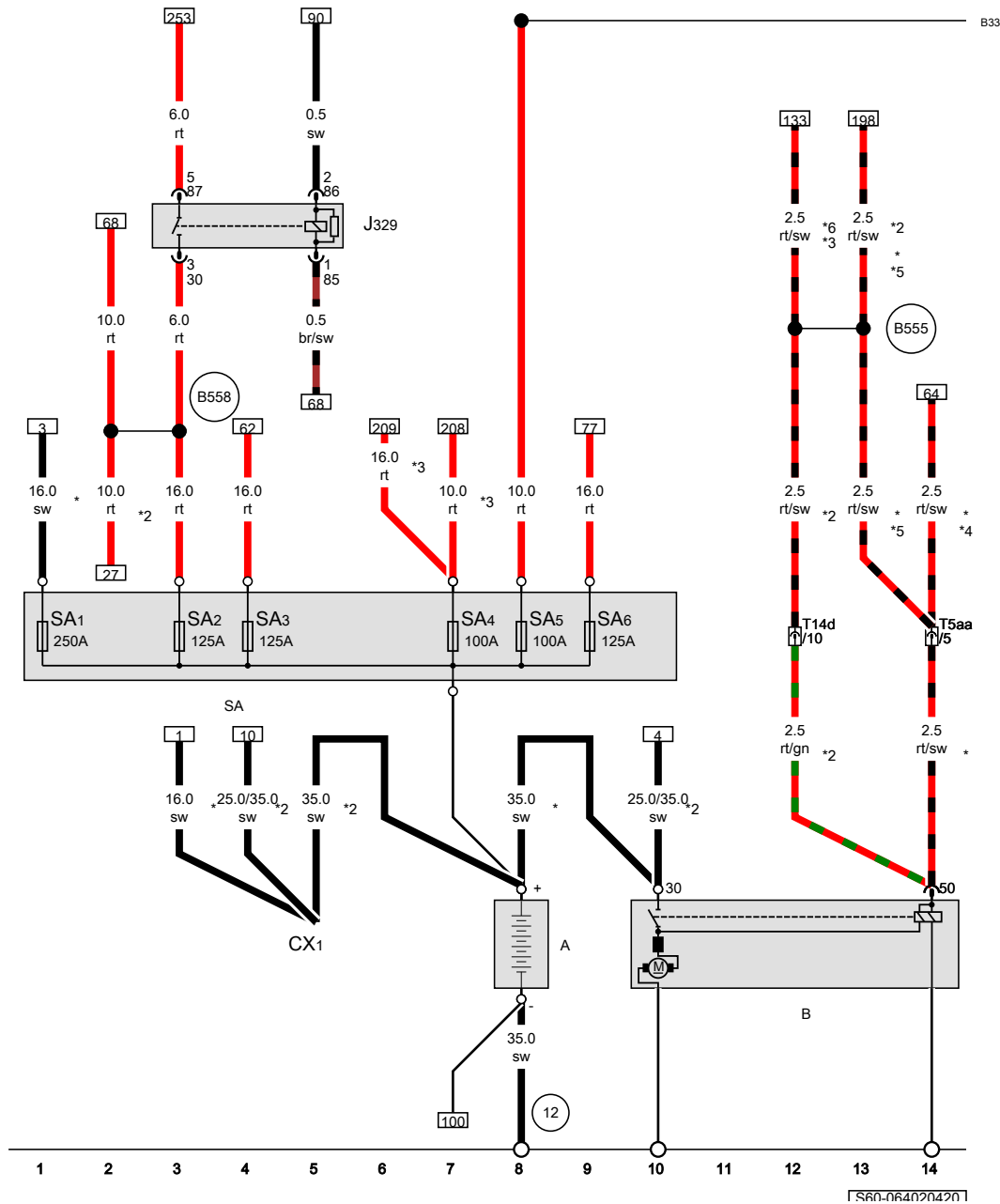
267 268 269 270 271 272 273 274 275 276 277 278 279 280

1S60-0632104201

Fuse assignment

From August 2018

Battery, Starter, Terminal 15 voltage supply relay, Fuse holder A



- A Battery
- B Starter
- CX1 Alternator with voltage regulator
- J329 Terminal 15 voltage supply relay
- SA Fuse holder A
- SA1 Fuse 1 on fuse holder A
- SA2 Fuse 2 on fuse holder A
- SA3 Fuse 3 on fuse holder A
- SA4 Fuse 4 on fuse holder A
- SA5 Fuse 5 on fuse holder A
- SA6 Fuse 6 on fuse holder A
- T5aa 5-pin connector, black, near battery
- T14d 14-pin connector, black, near battery

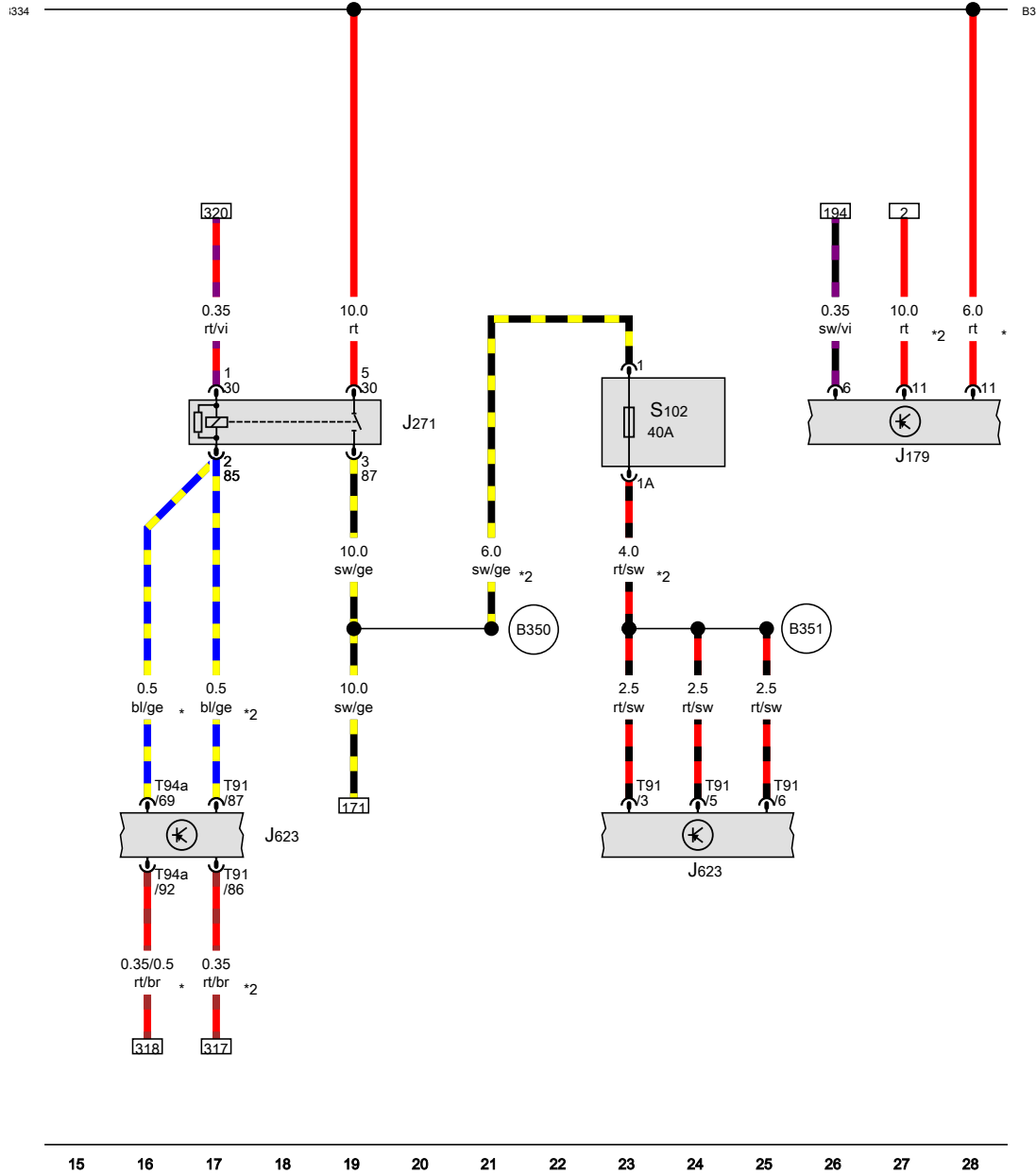
- 12 Earth point, on left in engine compartment
- B334 Positive connection 20 (30a) in main wiring harness
- B555 Positive connection 2 (50), in main wiring harness
- B558 Positive connection 22 (30a) in main wiring harness

- * For models with 2.0l engine
- *2 For models with 3.0l engine
- *3 see applicable current flow diagram for engine
- *4 For models with no start/stop system
- *5 For models with start/stop system
- *6 According to equipment

- ws = white
- sw = black
- ro = red
- rt = red
- br = brown
- gn = green
- bl = blue
- gr = grey
- li = purple
- vi = purple
- ge = yellow
- or = orange
- rs = pink

1560-0640204201

Main relay, Engine/motor control unit fuse

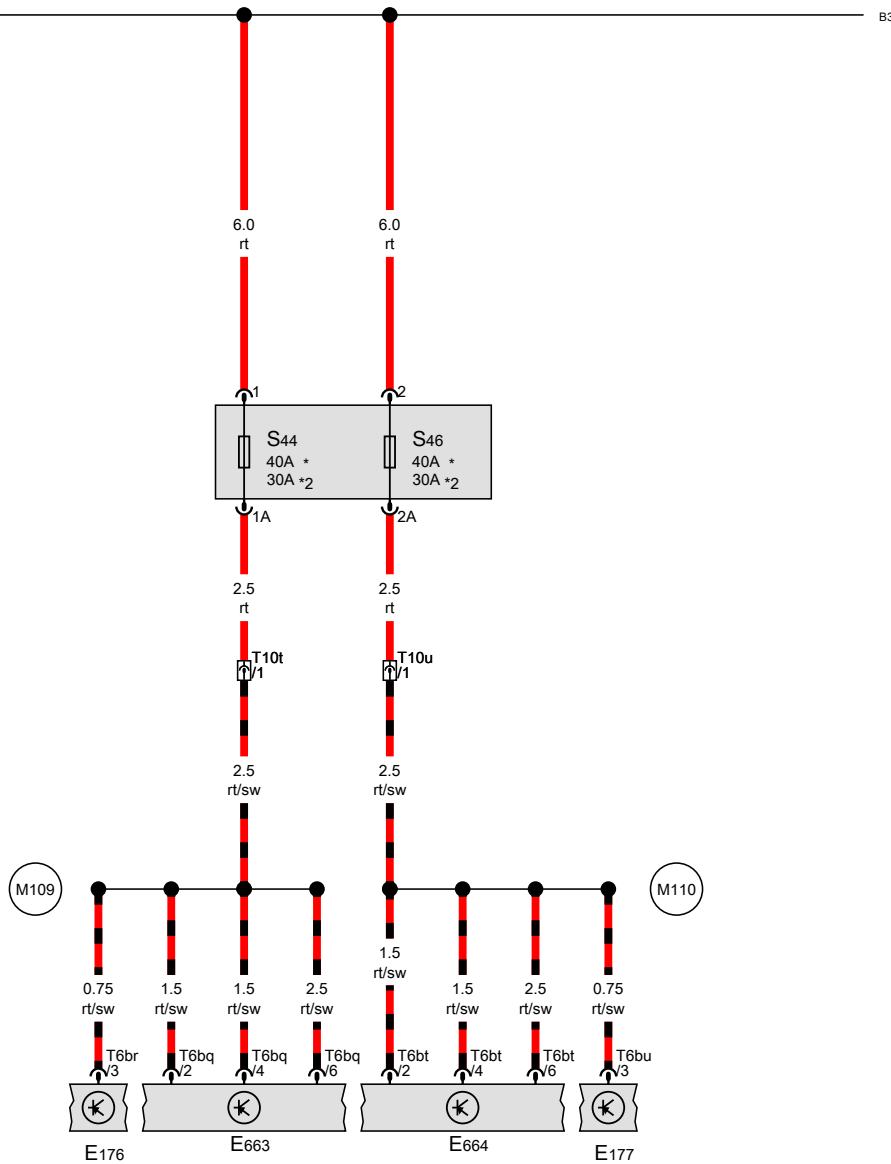


- J179 Automatic glow period control unit
- J271 Main relay
- J623 Engine/motor control unit
- S102 Engine/motor control unit fuse
- T91 91-pin connector, black
- T94a 94-pin connector, black
- (B334) Positive connection 20 (30a) in main wiring harness
- (B350) Positive connection 1 (87a) in main wiring harness
- (B351) Positive connection 2 (87a) in main wiring harness
- * For models with 2.0l engine
- *2 For models with 3.0l engine

- ws = white
- sw = black
- ro = red
- rt = red
- br = brown
- gn = green
- bl = blue
- gr = grey
- li = purple
- vi = purple
- ge = yellow
- or = orange
- rs = pink

Driver seat adjustment thermal fuse 1, Front passenger seat adjustment thermal fuse 1

3334 _____ B33



- E176 Driver seat lumbar support adjustment switch
- E177 Front passenger seat lumbar support adjustment switch
- E663 Switch module for driver seat
- E664 Switch module for front passenger seat
- S44 Driver seat adjustment thermal fuse 1
- S46 Front passenger seat adjustment thermal fuse 1
- T6bq 6-pin connector, black
- T6br 6-pin connector, black
- T6bt 6-pin connector, black
- T6bu 6-pin connector, black
- T10t 10-pin connector, black, under driver seat
- T10u 10-pin connector, black, under front passenger seat

- B334 Positive connection 20 (30a) in main wiring harness
- M109 Connection 1 (30), in front left seat wiring harness
- M110 Connection 1 (30), in front right seat wiring harness

* Up to January 2019
 *2 From January 2019

- ws = white
- sw = black
- ro = red
- rt = red
- br = brown
- gn = green
- bl = blue
- gr = grey
- li = purple
- vi = purple
- ge = yellow
- or = orange
- rs = pink

29 30 31 32 33 34 35 36 37 38 39 40 41 42

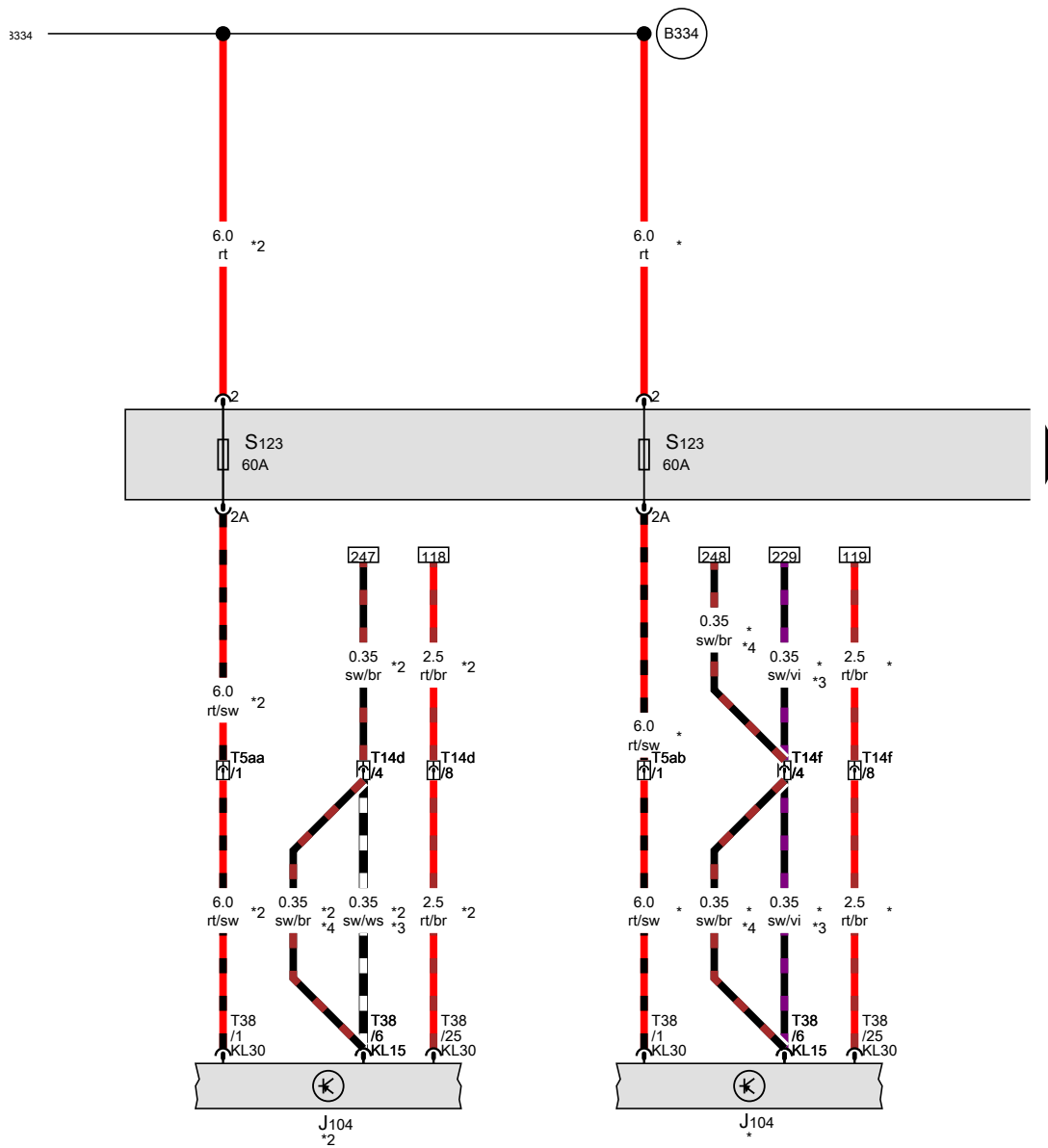
1S60-0640404201

ABS control unit fuse 1

- J104 ABS control unit
- S123 ABS control unit fuse 1
- T5aa 5-pin connector, black, near battery
- T5ab 5-pin connector, black, near right headlight
- T14d 14-pin connector, black, near battery
- T14f 14-pin connector, black, near right headlight
- T38 38-pin connector, black

B334 Positive connection 20 (30a) in main wiring harness

- * For models with 3.0l engine
- *2 For models with 2.0l engine
- *3 Up to February 2020
- *4 From February 2020

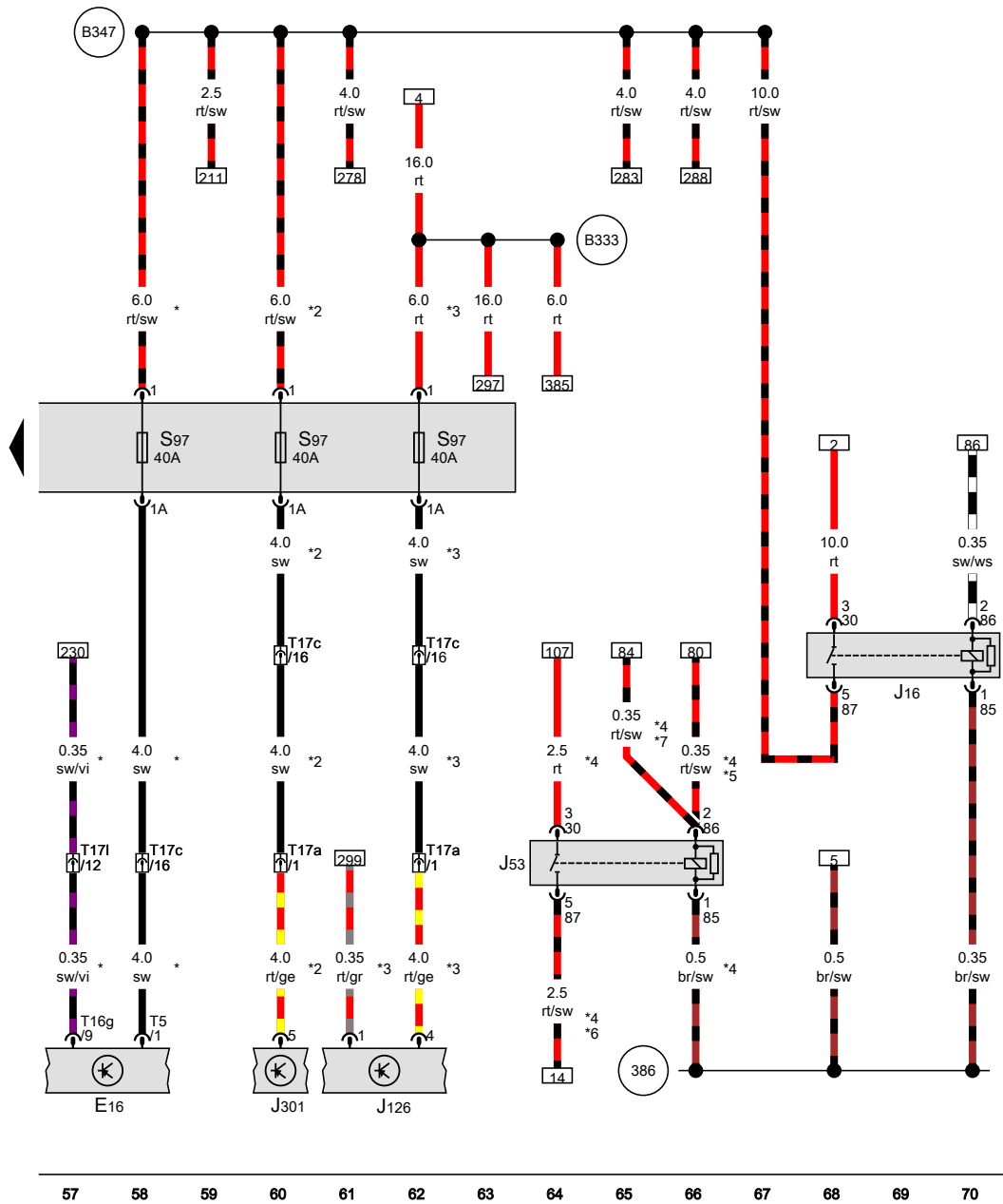


- ws = white
- sw = black
- ro = red
- rt = red
- br = brown
- gn = green
- bl = blue
- gr = grey
- li = purple
- vi = purple
- ge = yellow
- or = orange
- rs = pink

43 44 45 46 47 48 49 50 51 52 53 54 55 56

TS60-0640504201

Current supply relay, Starter motor relay, Fresh air blower fuse 1



- E16 Heater/heat output switch
- J16 Current supply relay
- J53 Starter motor relay
- J126 Fresh air blower control unit
- J301 Air conditioning system control unit
- S97 Fresh air blower fuse 1, black, next to steering column
- T5 5-pin connector, black
- T16g 16-pin connector, black
- T17a 17-pin connector, black
- T17c 17-pin connector, white, behind dash panel
- T17l 17-pin connector, brown, behind dash panel

- 386 Earth connection 21, in main wiring harness
- B333 Positive connection 19 (30a) in main wiring harness
- B347 Connection 2 (75), in main wiring harness

- * For models with no air conditioning system
- *2 For models with Climatic
- *3 For models with Climatronic
- *4 For models with 2.0l engine
- *5 For models with manual gearbox
- *6 For models with no start/stop system
- *7 For models with automatic gearbox

- ws = white
- sw = black
- ro = red
- rt = red
- br = brown
- gn = green
- bl = blue
- gr = grey
- li = purple
- vi = purple
- ge = yellow
- or = orange
- rs = pink

1S60-0640604201

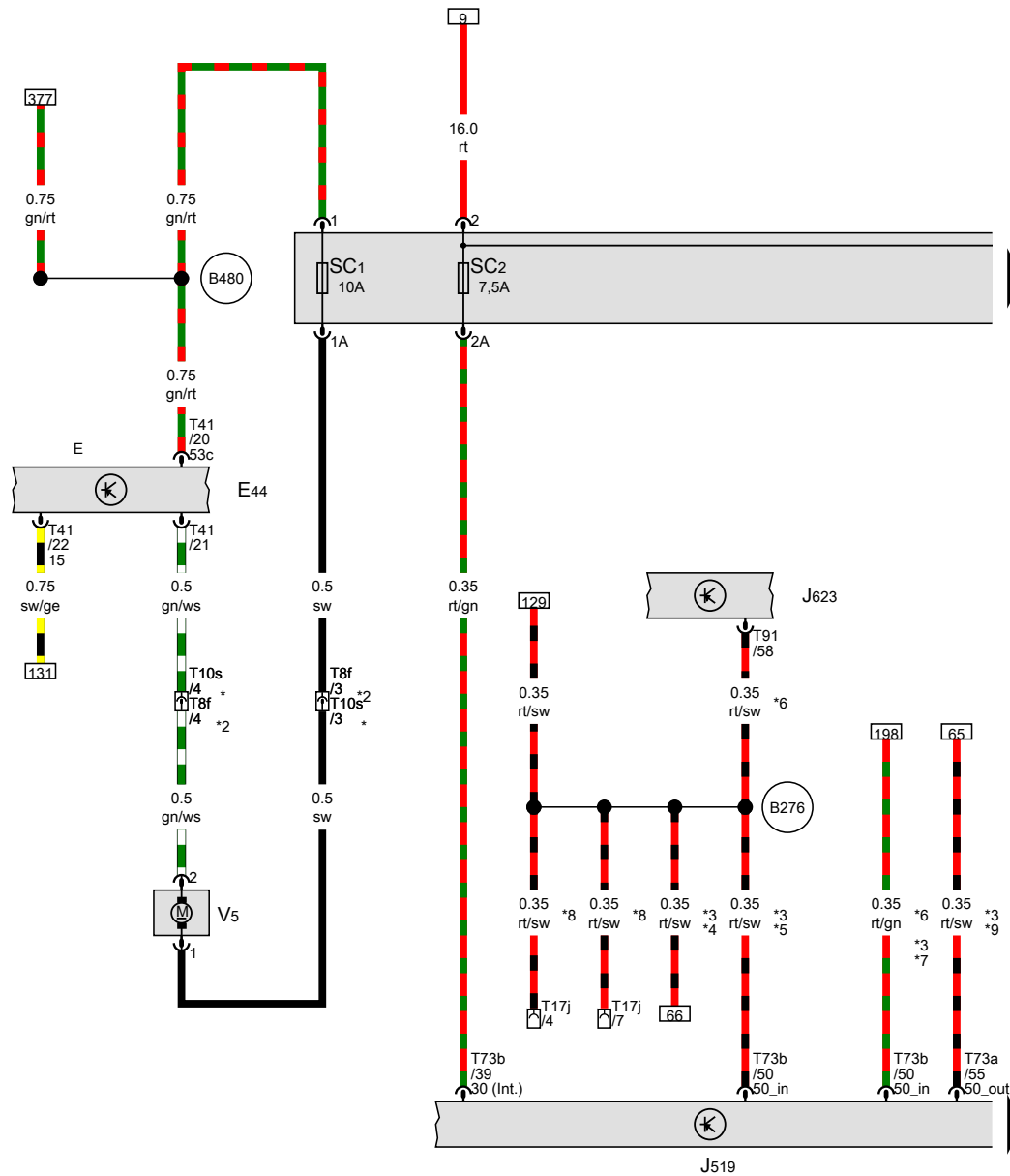
Fuse 1 on fuse holder C, Fuse 2 on fuse holder C

- E Windscreen wiper switch
- E44 Washer pump switch (automatic wash/wipe and headlight washer system)
- J519 Onboard supply control unit
- J623 Engine/motor control unit
- SC1 Fuse 1 on fuse holder C
- SC2 Fuse 2 on fuse holder C
- T8f 8-pin connector, black
- T10s 10-pin connector, black
- T17j 17-pin connector, green, near driver side A-pillar
- T41 41-pin connector, grey
- T73a 73-pin connector, black
- T73b 73-pin connector, colourless
- T91 91-pin connector, black
- V5 Washer pump

B276 Positive connection (50), in main wiring harness

B480 Connection 16, in main wiring harness

- * For models with provision for side member lighting
- *2 For models with no provision for side member lighting
- *3 For models with 2.0l engine
- *4 For models with manual gearbox
- *5 For models with no start/stop system
- *6 For models with 3.0l engine
- *7 For models with start/stop system
- *8 For models with electric interface for external use
- *9 For models with automatic gearbox



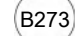
- ws = white
- sw = black
- ro = red
- rt = red
- br = brown
- gn = green
- bl = blue
- gr = grey
- li = purple
- vi = purple
- ge = yellow
- or = orange
- rs = pink

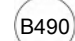
71 72 73 74 75 76 77 78 79 80 81 82 83 84

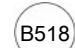
1S60-0640704201

Ignition/starter switch, Fuse 3 on fuse holder C, Fuse 4 on fuse holder C, Fuse 5 on fuse holder C

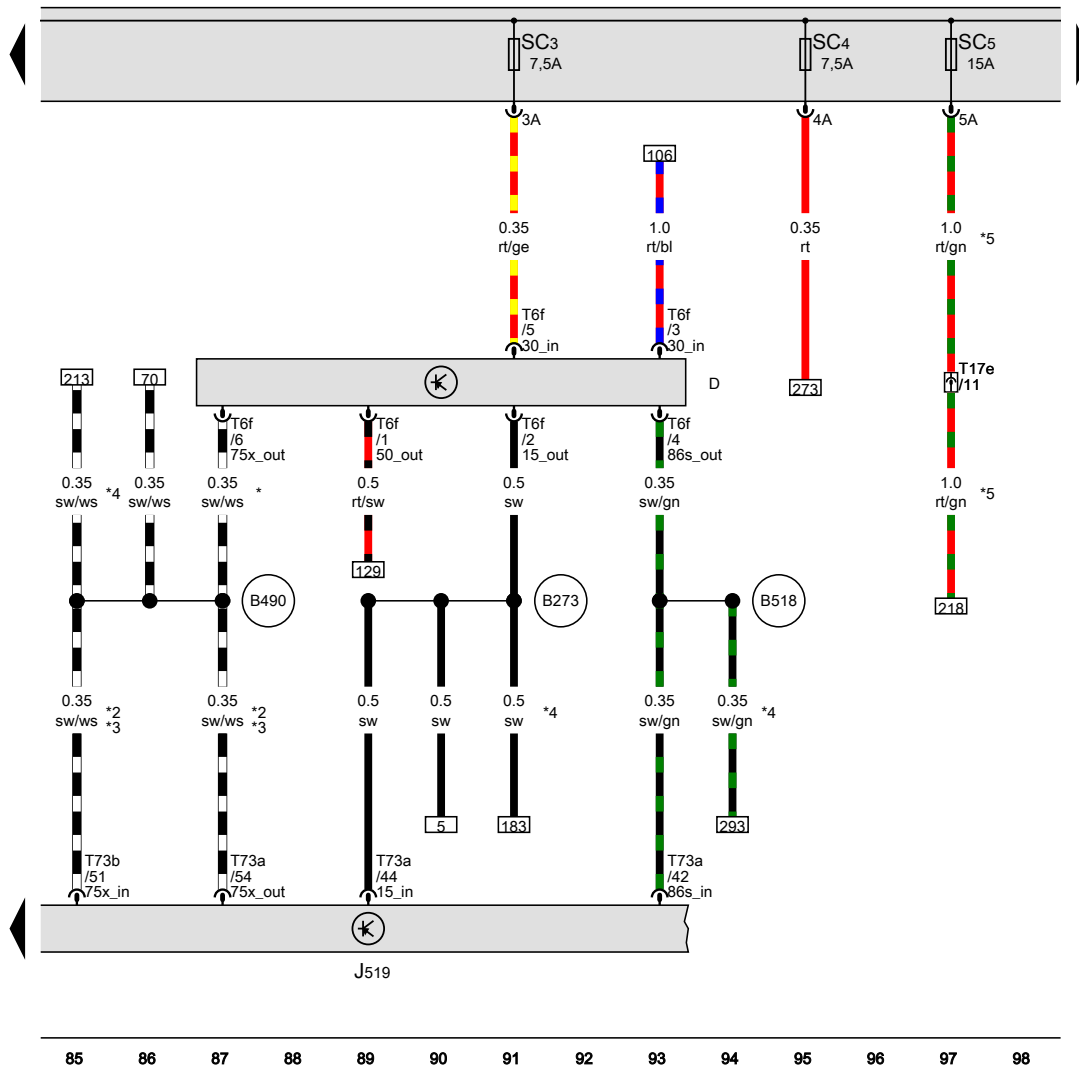
- D Ignition/starter switch
- J519 Onboard supply control unit
- SC3 Fuse 3 on fuse holder C
- SC4 Fuse 4 on fuse holder C
- SC5 Fuse 5 on fuse holder C
- T6f 6-pin connector, black
- T17e 17-pin connector, red, near handbrake lever
- T73a 73-pin connector, black
- T73b 73-pin connector, colourless

 B273 Positive connection (15), in main wiring harness

 B490 Connection 26, in main wiring harness

 B518 Connection (86s), in main wiring harness

- * For models with no start/stop system
- *2 According to equipment
- *3 see applicable current flow diagram for engine
- *4 For models with electric interface for external use
- *5 For models with automatic gearbox



- ws = white
- sw = black
- ro = red
- rt = red
- br = brown
- gn = green
- bl = blue
- gr = grey
- li = purple
- vi = purple
- ge = yellow
- or = orange
- rs = pink

1560-0640804201

Fuse 6 on fuse holder C, Fuse 7 on fuse holder C, Fuse 8 on fuse holder C, Fuse 9 on fuse holder C, Fuse 10 on fuse holder C, Fuse 11 on fuse holder C

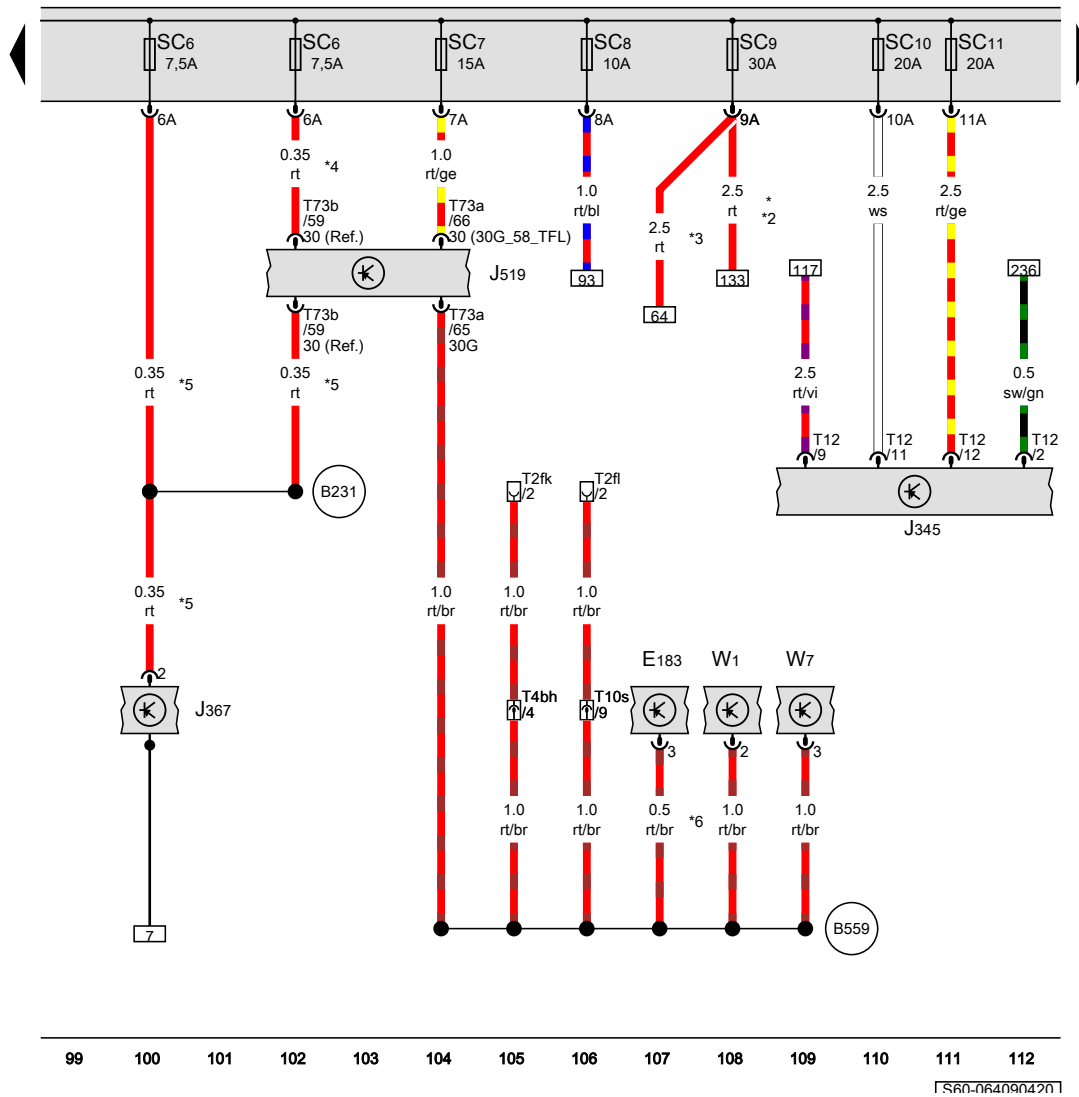
- E183 Interior monitoring switch
- J345 Trailer detector control unit
- J367 Battery monitor control unit
- J519 Onboard supply control unit
- SC6 Fuse 6 on fuse holder C
- SC7 Fuse 7 on fuse holder C
- SC8 Fuse 8 on fuse holder C
- SC9 Fuse 9 on fuse holder C
- SC10 Fuse 10 on fuse holder C
- SC11 Fuse 11 on fuse holder C
- T2fk 2-pin connector, black, bottom, left, near entry light
- T2fl 2-pin connector, black, bottom, right, near entry light
- T4bh 4-pin connector, black, in rear left of engine compartment
- T10s 10-pin connector, black, in rear right of engine compartment
- T12 12-pin connector, red
- T73a 73-pin connector, black
- T73b 73-pin connector, colourless
- W1 Front interior light
- W7 Centre interior light

B231 Positive connection 5 (30a), in interior wiring harness

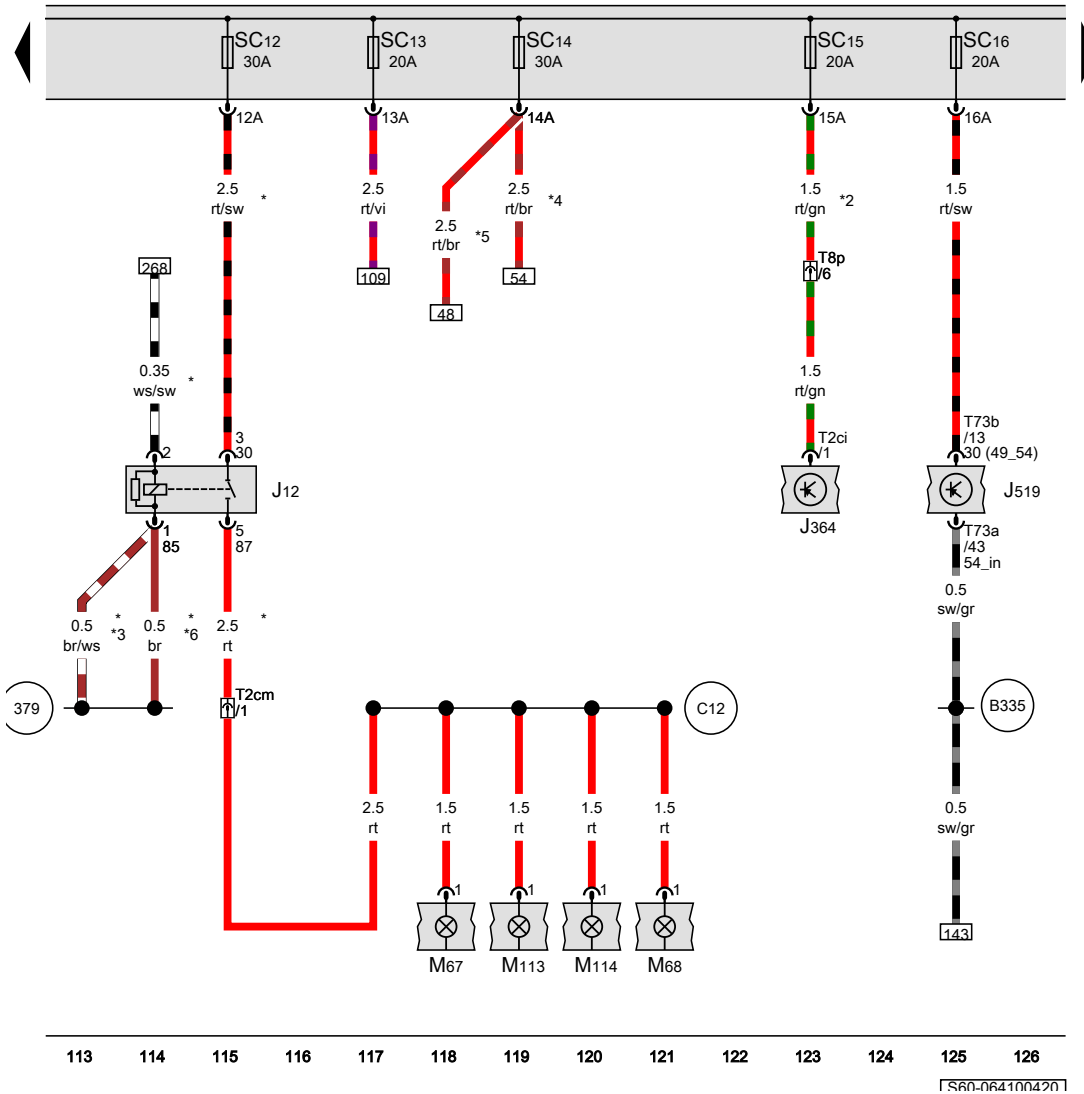
B559 Positive connection 1 (30g), in main wiring harness

- * According to equipment
- *2 see applicable current flow diagram for engine
- *3 For models with 2.0l engine
- *4 For models with no start/stop system
- *5 For models with start/stop system
- *6 For models with anti-theft alarm system

- ws = white
- sw = black
- ro = red
- rt = red
- br = brown
- gn = green
- bl = blue
- gr = grey
- li = purple
- vi = purple
- ge = yellow
- or = orange
- rs = pink



Fuse 12 on fuse holder C, Fuse 13 on fuse holder C, Fuse 14 on fuse holder C, Fuse 15 on fuse holder C, Fuse 16 on fuse holder C



- J12 Headlight main beam relay
- J364 Auxiliary heater control unit
- J519 Onboard supply control unit
- M67 Left additional main beam bulb
- M68 Right additional main beam bulb
- M113 Centre left additional main beam bulb
- M114 Centre right additional main beam bulb
- SC12 Fuse 12 on fuse holder C
- SC13 Fuse 13 on fuse holder C
- SC14 Fuse 14 on fuse holder C
- SC15 Fuse 15 on fuse holder C
- SC16 Fuse 16 on fuse holder C
- T2ci 2-pin connector, black
- T2cm 2-pin connector, black
- T8p 8-pin connector, black, near battery
- T73a 73-pin connector, black
- T73b 73-pin connector, colourless

- 379 Earth connection 14, in main wiring harness
- B335 Connection 1 (54), in main wiring harness
- C12 Positive connection 1, in headlight wiring harness

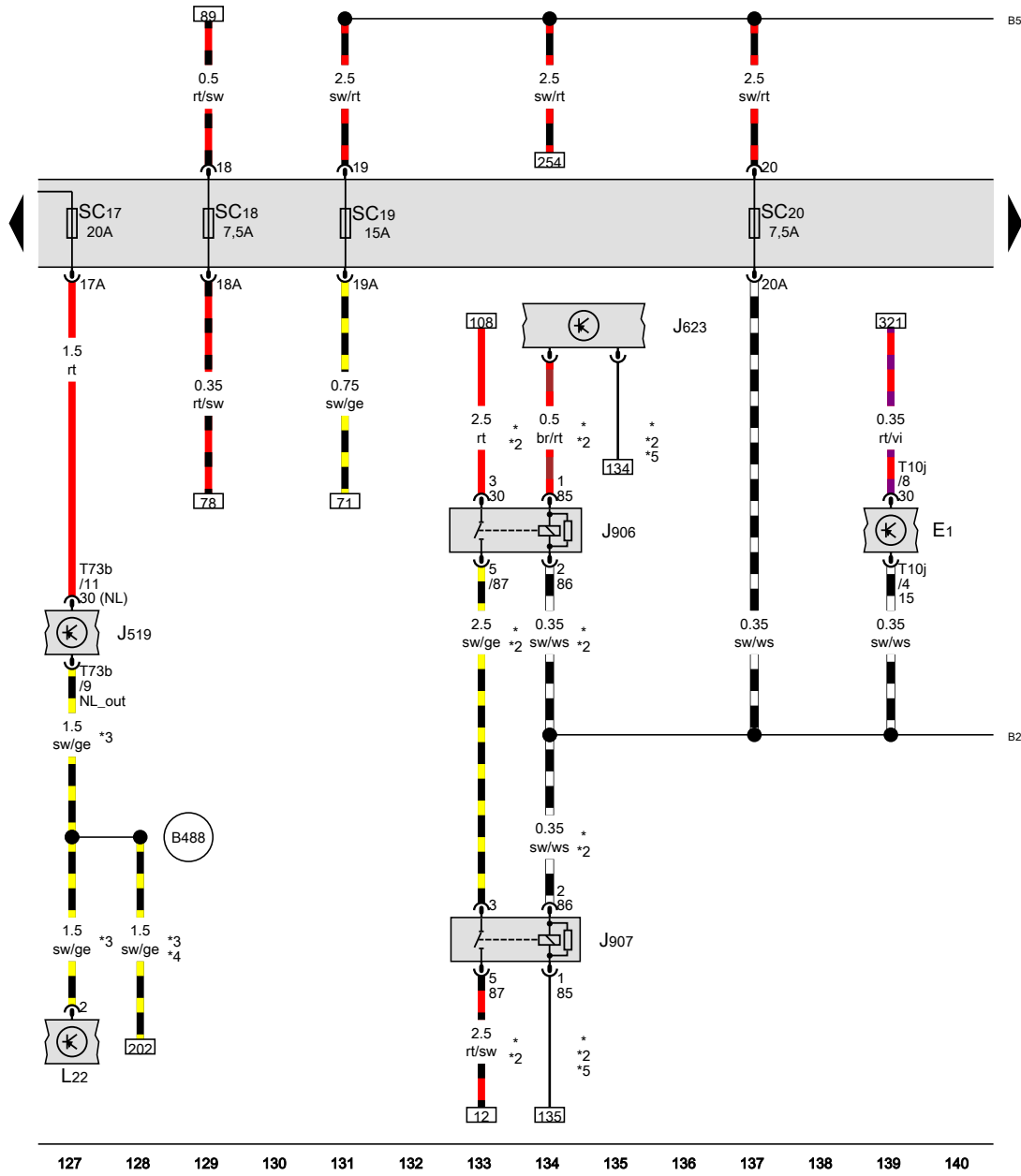
- * For models with auxiliary lights
- *2 For models with auxiliary coolant heater (supplementary heater)
- *3 For left-hand drive models
- *4 For models with 3.0l engine
- *5 For models with 2.0l engine
- *6 For right-hand drive models

- ws = white
- sw = black
- ro = red
- rt = red
- br = brown
- gn = green
- bl = blue
- gr = grey
- li = purple
- vi = purple
- ge = yellow
- or = orange
- rs = pink

113 114 115 116 117 118 119 120 121 122 123 124 125 126

TS60-0641004201

Starter relay 1, Starter relay 2, Fuse 17 on fuse holder C, Fuse 18 on fuse holder C, Fuse 19 on fuse holder C, Fuse 20 on fuse holder C



- E1 Light switch
- J519 Onboard supply control unit
- J623 Engine/motor control unit
- J906 Starter relay 1
- J907 Starter relay 2
- L22 Left fog light bulb
- SC17 Fuse 17 on fuse holder C
- SC18 Fuse 18 on fuse holder C
- SC19 Fuse 19 on fuse holder C
- SC20 Fuse 20 on fuse holder C
- T10j 10-pin connector, black
- T73b 73-pin connector, colourless

- B282 Positive connection 6 (15a) in main wiring harness
- B488 Connection 24, in main wiring harness
- B536 Connection 27, in main wiring harness

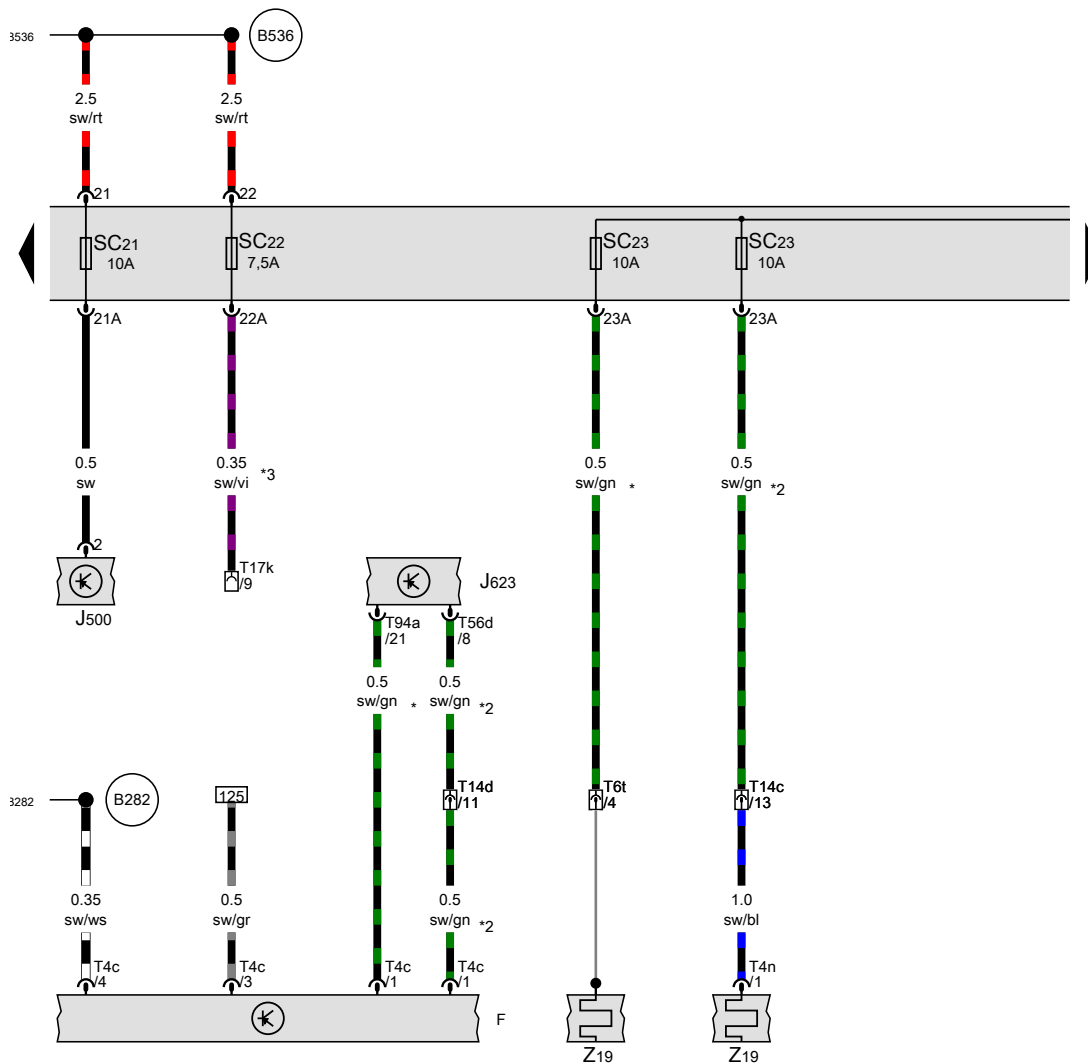
- * According to equipment
- *2 see applicable current flow diagram for engine
- *3 For models with fog lights
- *4 For models with electric interface for external use
- *5 Wiring colour depends on equipment

- ws = white
- sw = black
- ro = red
- rt = red
- br = brown
- gn = green
- bl = blue
- gr = grey
- li = purple
- vi = purple
- ge = yellow
- or = orange
- rs = pink

127 128 129 130 131 132 133 134 135 136 137 138 139 140

[S60-064110420]

Fuse 21 on fuse holder C, Fuse 22 on fuse holder C, Fuse 23 on fuse holder C, Lambda probe heater



- F Brake light switch
- J500 Power steering control unit
- J623 Engine/motor control unit
- SC21 Fuse 21 on fuse holder C
- SC22 Fuse 22 on fuse holder C
- SC23 Fuse 23 on fuse holder C
- T4c 4-pin connector, black
- T4n 4-pin connector, black
- T6t 6-pin connector, black, front right in engine compartment
- T14c 14-pin connector, grey, near battery
- T14d 14-pin connector, black, near battery
- T17k 17-pin connector, blue, near driver side A-pillar
- T56d 56-pin connector, black
- T94a 94-pin connector, black
- Z19 Lambda probe heater

B282 Positive connection 6 (15a) in main wiring harness

B536 Connection 27, in main wiring harness

- * For models with 2.0l engine
- *2 For models with 3.0l engine
- *3 For models with electric interface for external use

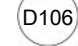
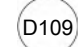

- ws = white
- sw = black
- ro = red
- rt = red
- br = brown
- gn = green
- bl = blue
- gr = grey
- li = purple
- vi = purple
- ge = yellow
- or = orange
- rs = pink

141 142 143 144 145 146 147 148 149 150 151 152 153 154

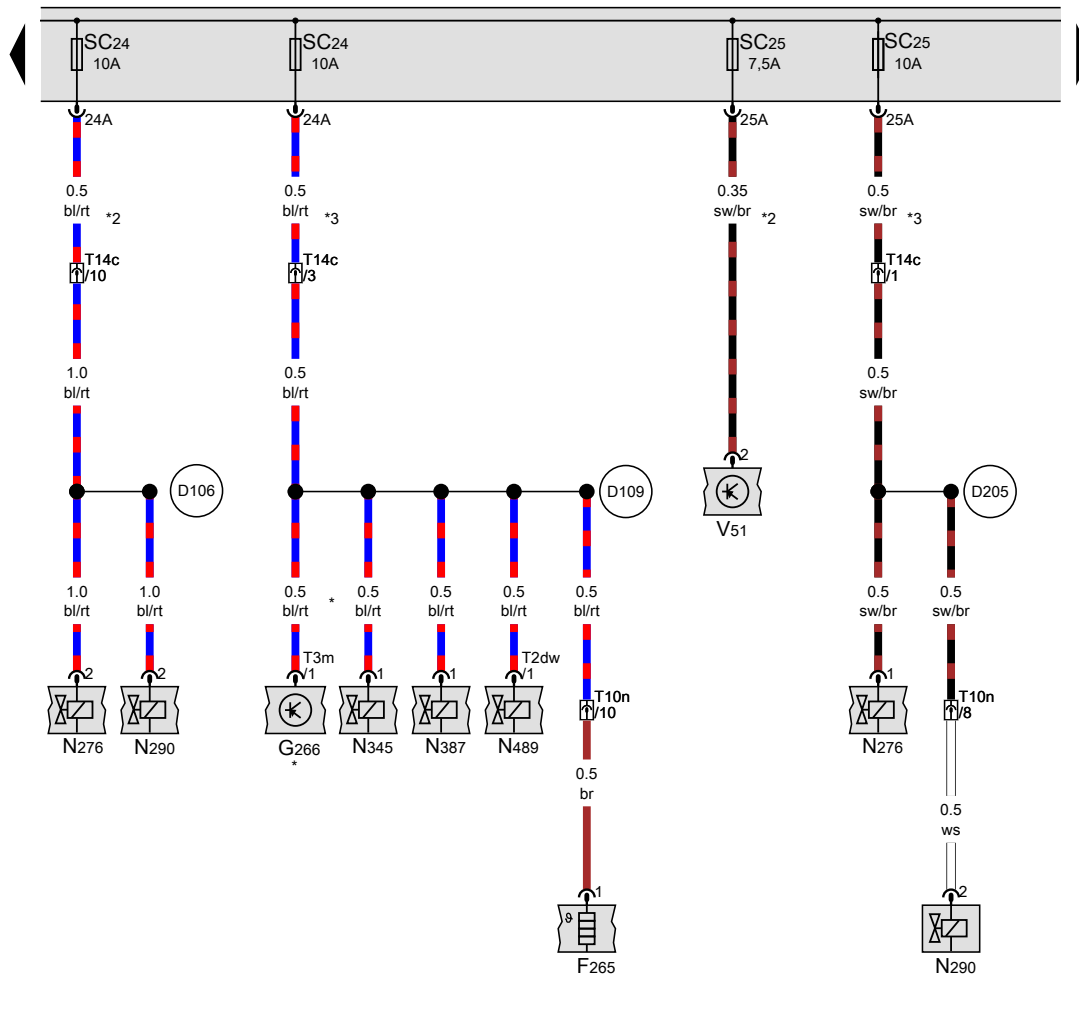
1560-0641204201

Fuel metering valve, Fuse 24 on fuse holder C, Fuse 25 on fuse holder C

- F265 Map-controlled engine cooling system thermostat
- G266 Oil level and oil temperature sender
- N276 Fuel pressure regulating valve
- N290 Fuel metering valve
- N345 Exhaust gas recirculation cooler changeover valve
- N387 Exhaust gas recirculation cooling bypass valve 2
- N489 Coolant valve for cylinder head
- SC24 Fuse 24 on fuse holder C
- SC25 Fuse 25 on fuse holder C
- T2dw 2-pin connector, grey
- T3m 3-pin connector, black
- T10n 10-pin connector, black
- T14c 14-pin connector, grey, near battery
- V51 Continued coolant circulation pump

-  D106 Connection 4 in engine compartment wiring harness
-  D109 Connection 7 in engine compartment wiring harness
-  D205 Connection 3 (87a) in engine prewiring harness

- * According to equipment
- *2 For models with 2.0l engine
- *3 For models with 3.0l engine

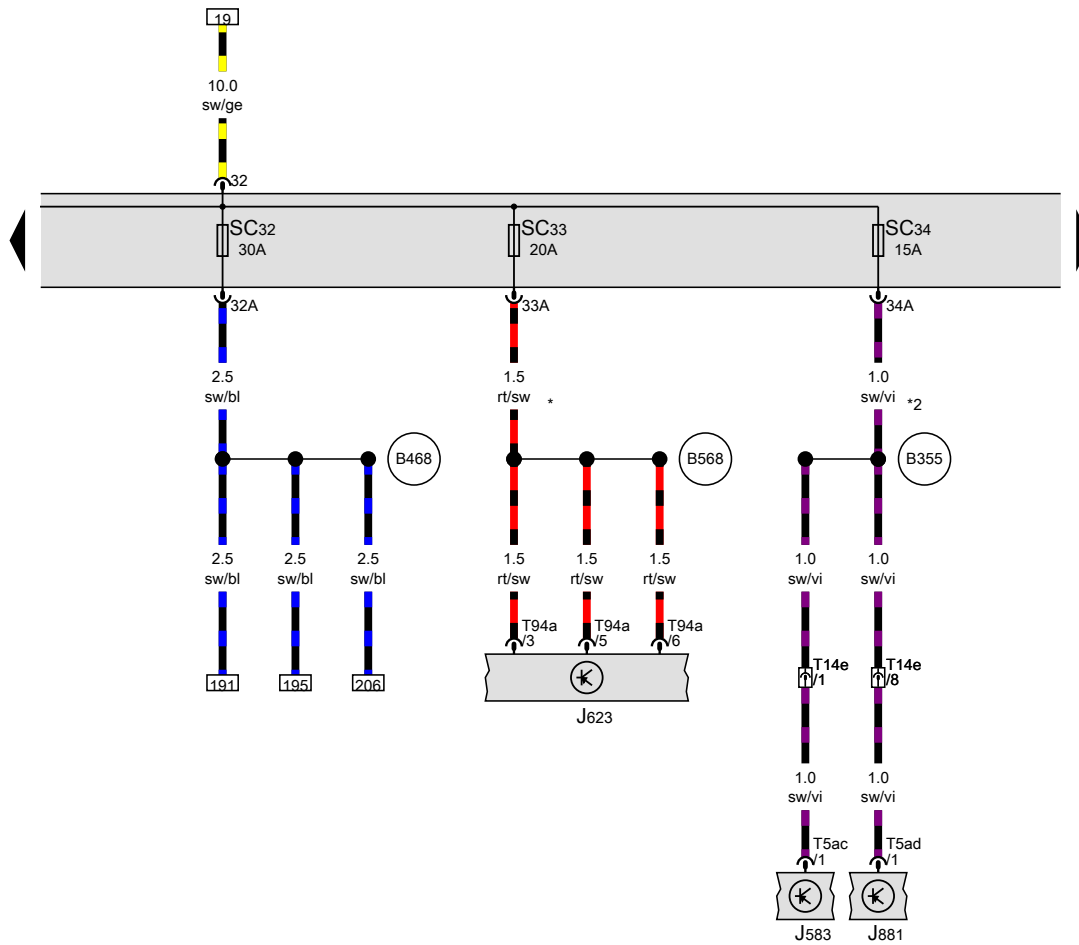


- ws = white
- sw = black
- ro = red
- rt = red
- br = brown
- gn = green
- bl = blue
- gr = grey
- li = purple
- vi = purple
- ge = yellow
- or = orange
- rs = pink

155 156 157 158 159 160 161 162 163 164 165 166 167 168

[S60-064130420]

Fuse 32 on fuse holder C, Fuse 33 on fuse holder C, Fuse 34 on fuse holder C



- J583 Control unit for NOx sender
- J623 Engine/motor control unit
- J881 Control unit for NOx sender 2
- SC32 Fuse 32 on fuse holder C
- SC33 Fuse 33 on fuse holder C
- SC34 Fuse 34 on fuse holder C
- T5ac 5-pin connector, black
- T5ad 5-pin connector, black
- T14e 14-pin connector, grey, near right headlight
- T94a 94-pin connector, black

B355 Positive connection 6 (87a) in main wiring harness

B468 Connection 4, in main wiring harness

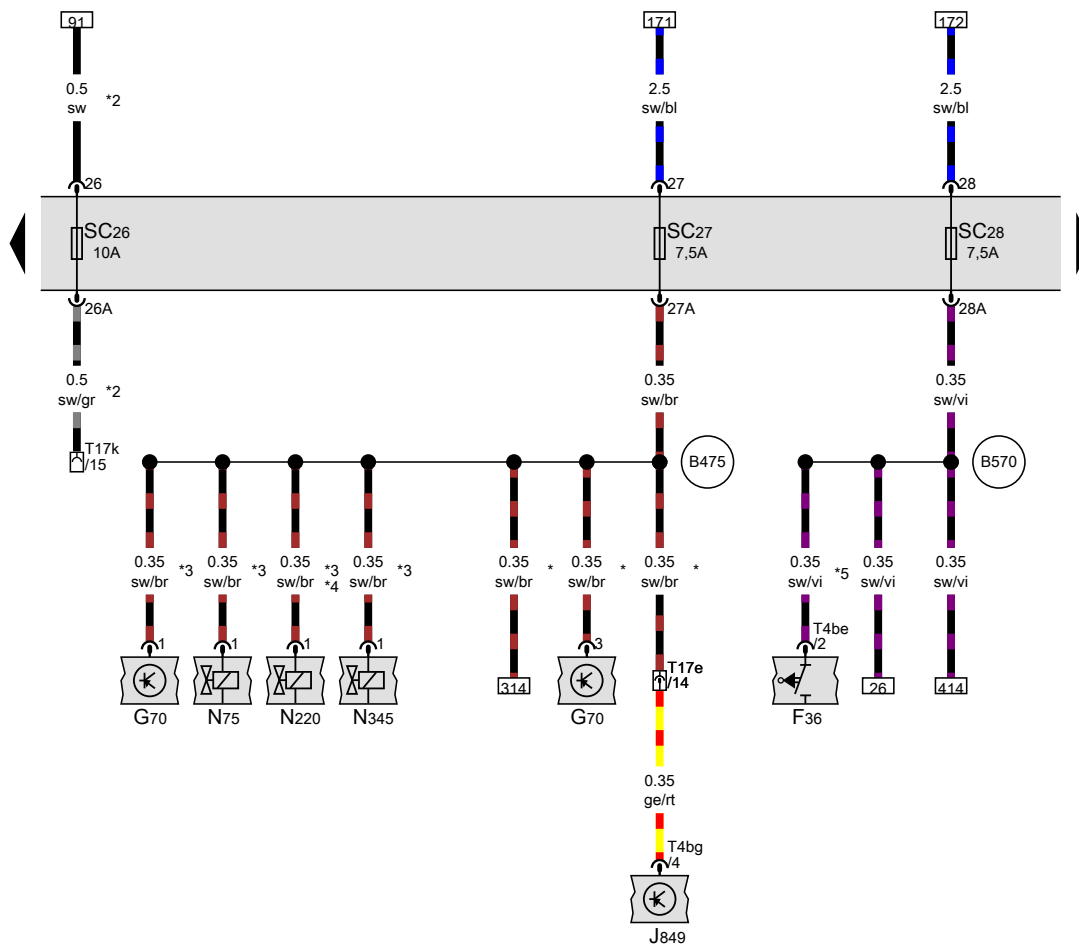
B568 Connection 35, in main wiring harness

* For models with 2.0l engine

*2 For models with 3.0l engine

- ws = white
- sw = black
- ro = red
- rt = red
- br = brown
- gn = green
- bl = blue
- gr = grey
- li = purple
- vi = purple
- ge = yellow
- or = orange
- rs = pink

Fuse 26 on fuse holder C, Fuse 27 on fuse holder C, Fuse 28 on fuse holder C



- F36 Clutch pedal switch
- G70 Air mass meter
- J849 Control unit for sensor electronics
- N75 Charge pressure control solenoid valve
- N220 Exhaust flap valve
- N345 Exhaust gas recirculation cooler changeover valve
- SC26 Fuse 26 on fuse holder C
- SC27 Fuse 27 on fuse holder C
- SC28 Fuse 28 on fuse holder C
- T4be 4-pin connector, black
- T4bg 4-pin connector, black
- T17e 17-pin connector, red, near handbrake lever
- T17k 17-pin connector, blue, near driver side A-pillar

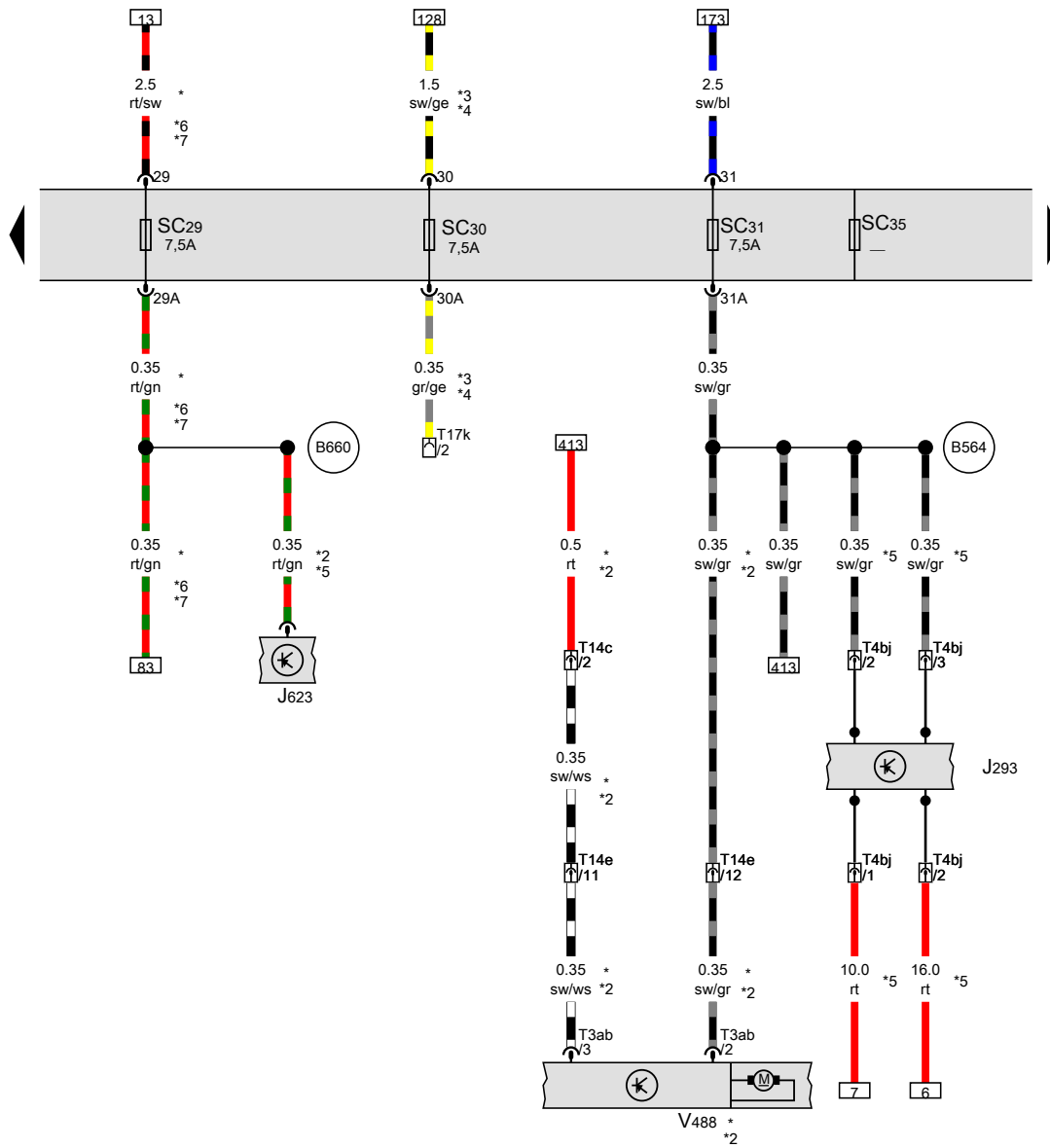
B475 Connection 11, in main wiring harness

B570 Connection 37, in main wiring harness

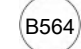

- * For models with 3.0l engine
- *2 For models with electric interface for external use
- *3 For models with 2.0l engine
- *4 According to equipment
- *5 For models with manual gearbox

- ws = white
- sw = black
- ro = red
- rt = red
- br = brown
- gn = green
- bl = blue
- gr = grey
- li = purple
- vi = purple
- ge = yellow
- or = orange
- rs = pink

Fuse 29 on fuse holder C, Fuse 30 on fuse holder C, Fuse 31 on fuse holder C, Fuse 35 on fuse holder C, Auxiliary pump for heating



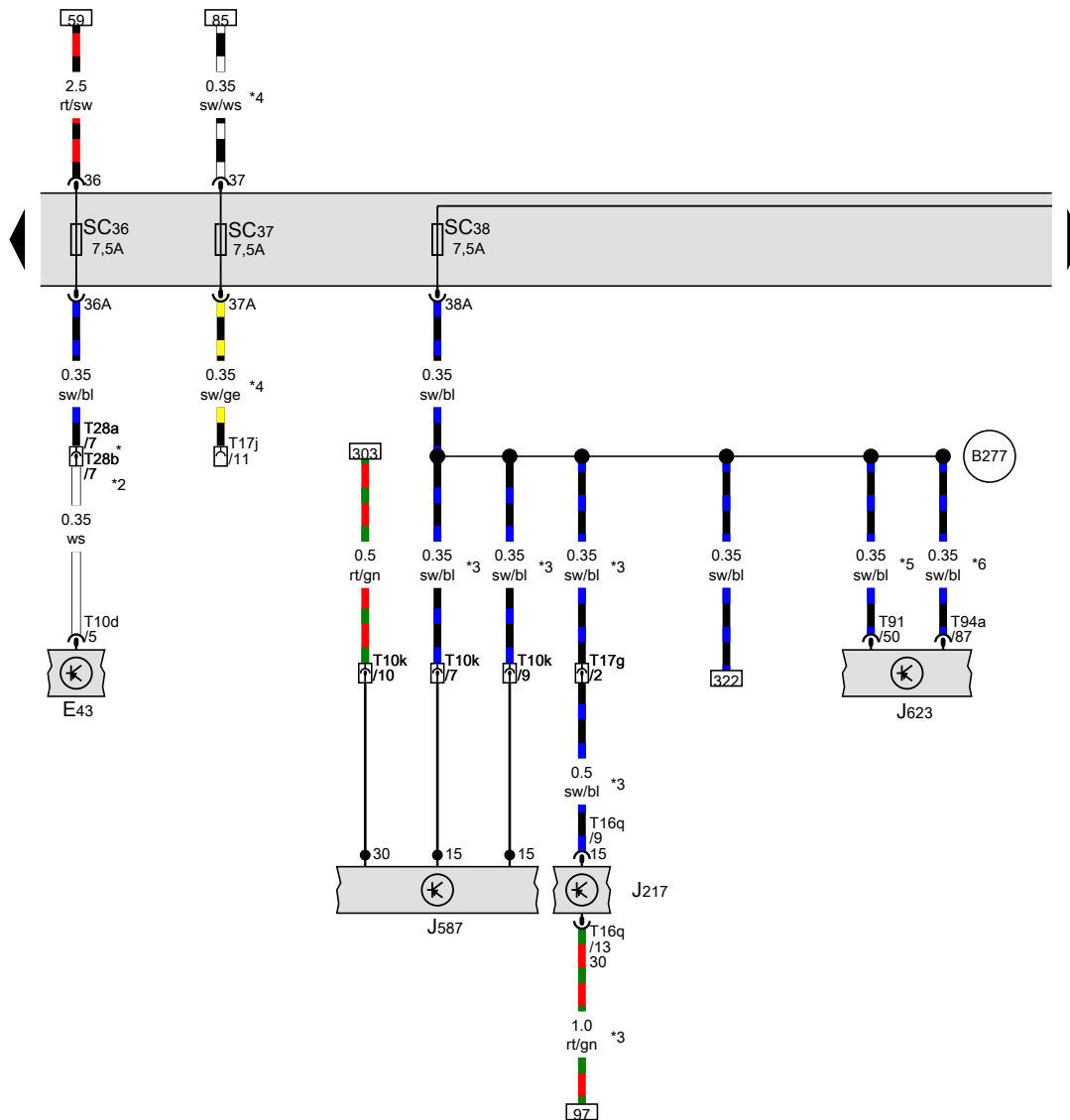
- J293 Radiator fan control unit
- J623 Engine/motor control unit
- SC29 Fuse 29 on fuse holder C
- SC30 Fuse 30 on fuse holder C
- SC31 Fuse 31 on fuse holder C
- SC35 Fuse 35 on fuse holder C
- T3ab 3-pin connector, black
- T4bj 4-pin connector, black, on radiator cowl
- T14c 14-pin connector, grey, near battery
- T14e 14-pin connector, grey, near right headlight
- T17k 17-pin connector, blue, near driver side A-pillar
- V488 Auxiliary pump for heating, in engine compartment, near right headlight

-  B564 Connection 31, in main wiring harness
-  B660 Connection (diagnosis terminal 50), in main wiring harness

- * For models with 3.0l engine
- *2 According to equipment
- *3 For models with fog lights
- *4 For models with electric interface for external use
- *5 see applicable current flow diagram for engine
- *6 For models with 2.0l engine
- *7 For models with start/stop system

- ws = white
- sw = black
- ro = red
- rt = red
- br = brown
- gn = green
- bl = blue
- gr = grey
- li = purple
- vi = purple
- ge = yellow
- or = orange
- rs = pink

Fuse 36 on fuse holder C, Fuse 37 on fuse holder C, Fuse 38 on fuse holder C



- E43 Mirror adjustment switch, in driver door
- J217 Automatic gearbox control unit
- J587 Selector lever sensors control unit
- J623 Engine/motor control unit
- SC36 Fuse 36 on fuse holder C
- SC37 Fuse 37 on fuse holder C
- SC38 Fuse 38 on fuse holder C
- T10d 10-pin connector, black
- T10k 10-pin connector, black
- T16q 16-pin connector, black
- T17g 17-pin connector, black
- T17j 17-pin connector, green, near driver side A-pillar
- T28a 28-pin connector, black, on left A-pillar
- T28b 28-pin connector, black, on right A-pillar
- T91 91-pin connector, black
- T94a 94-pin connector, black

B277 Positive connection 1 (15a) in main wiring harness

- * For left-hand drive models
- *2 For right-hand drive models
- *3 For models with automatic gearbox
- *4 For models with electric interface for external use
- *5 For models with 3.0l engine
- *6 For models with 2.0l engine

- ws = white
- sw = black
- ro = red
- rt = red
- br = brown
- gn = green
- bl = blue
- gr = grey
- li = purple
- vi = purple
- ge = yellow
- or = orange
- rs = pink

211 212 213 214 215 216 217 218 219 220 221 222 223 224

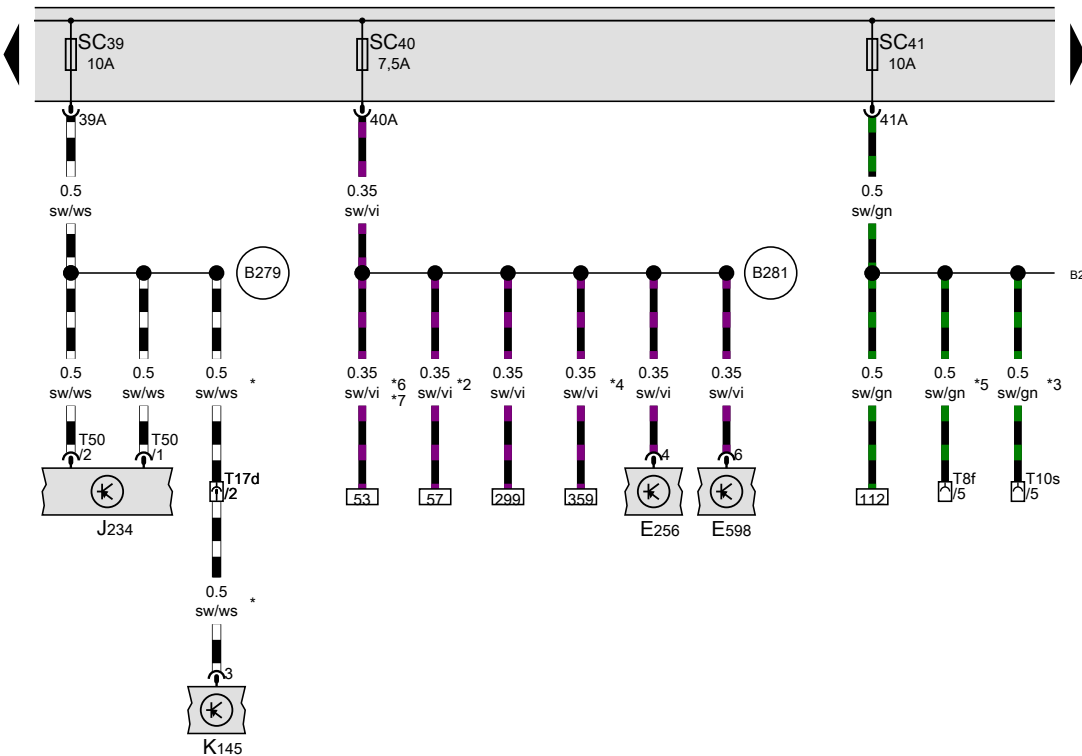
[S60-064170420]

Fuse 39 on fuse holder C, Fuse 40 on fuse holder C, Fuse 41 on fuse holder C

- E256 Button for TCS and electronic stabilisation program
- E598 Driving program button
- J234 Airbag control unit, under centre console
- K145 Warning lamp for airbag deactivated on front passenger side
- SC39 Fuse 39 on fuse holder C
- SC40 Fuse 40 on fuse holder C
- SC41 Fuse 41 on fuse holder C
- T8f 8-pin connector, black
- T10s 10-pin connector, black
- T17d 17-pin connector, green, behind dash panel
- T50 50-pin connector, yellow

- B279 Positive connection 3 (15a) in main wiring harness
- B280 Positive connection 4 (15a) in main wiring harness
- B281 Positive connection 5 (15a) in main wiring harness

- * For models with key-operated switch to deactivate front passenger airbag/side airbag/belt buckle sensor
- *2 For models with no air conditioning system
- *3 For models with provision for side member lighting
- *4 According to equipment
- *5 For models with no provision for side member lighting
- *6 For models with 3.0l engine
- *7 Up to February 2020



- ws = white
- sw = black
- ro = red
- rt = red
- br = brown
- gn = green
- bl = blue
- gr = grey
- li = purple
- vi = purple
- ge = yellow
- or = orange
- rs = pink

225 226 227 228 229 230 231 232 233 234 235 236 237 238

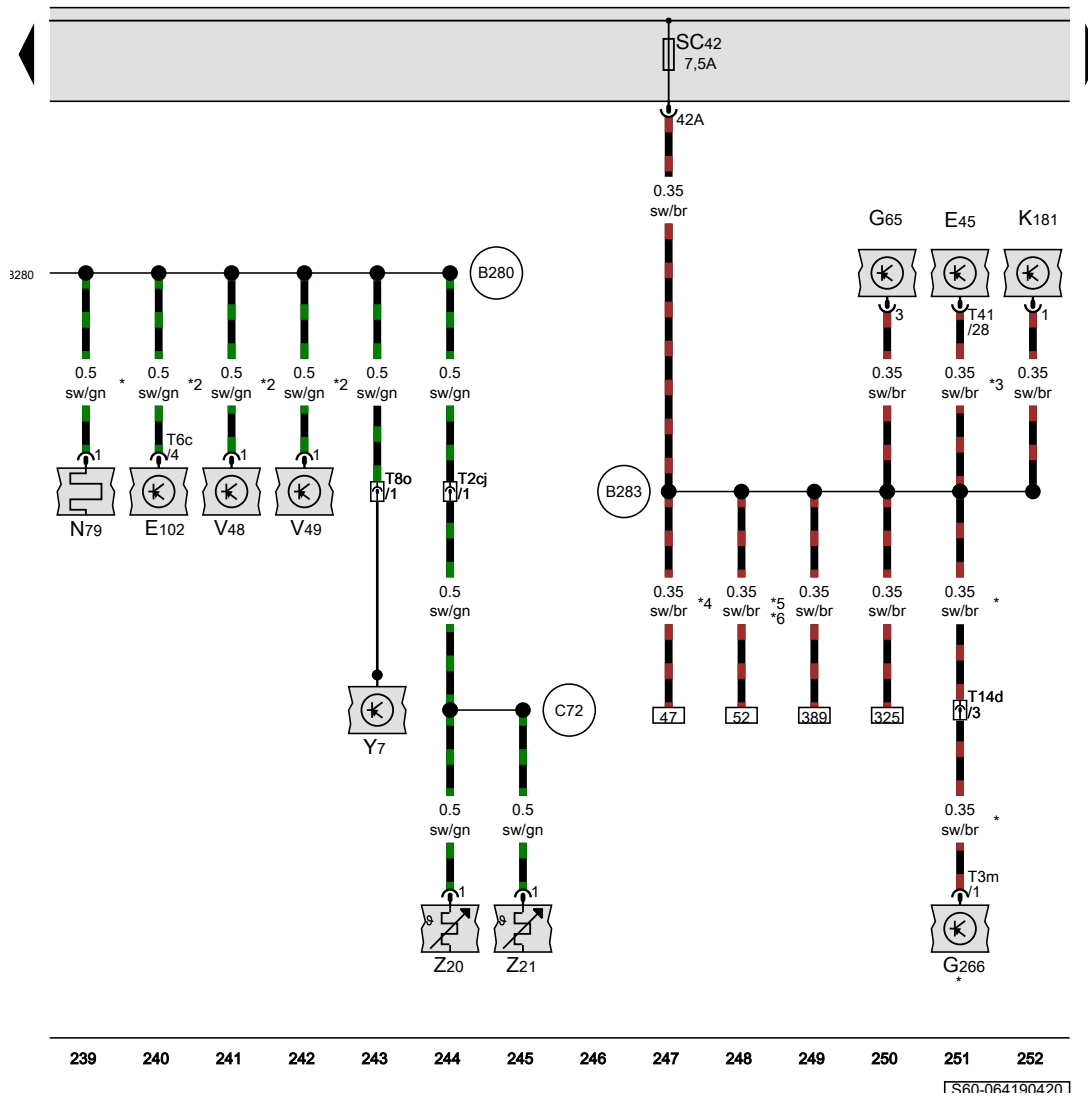
[S60-064180420]

Fuse 42 on fuse holder C

- E45 Cruise control system switch
- E102 Headlight range control regulator
- G65 High-pressure sender
- G266 Oil level and oil temperature sender
- K181 Normal operation warning lamp in transfer box operating unit
- N79 Heater element for crankcase breather
- SC42 Fuse 42 on fuse holder C
- T2cj 2-pin connector, black, near window wiper motor
- T3m 3-pin connector, black
- T6c 6-pin connector, black
- T8o 8-pin connector, black, on interior mirror
- T14d 14-pin connector, black, near battery
- T41 41-pin connector, grey
- V48 Left headlight range control motor
- V49 Right headlight range control motor
- Y7 Automatic anti-dazzle interior mirror, on interior mirror
- Z20 Left washer jet heater element
- Z21 Right washer jet heater element

- B280 Positive connection 4 (15a) in main wiring harness
- B283 Positive connection 7 (15a) in main wiring harness
- C72 Positive connection in heated washer jet wiring harness

- * According to equipment
- *2 For models with headlight range control
- *3 For models with cruise control system (CCS)
- *4 For models with 2.0l engine
- *5 For models with 3.0l engine
- *6 From February 2020



- ws = white
- sw = black
- ro = red
- rt = red
- br = brown
- gn = green
- bl = blue
- gr = grey
- li = purple
- vi = purple
- ge = yellow
- or = orange
- rs = pink

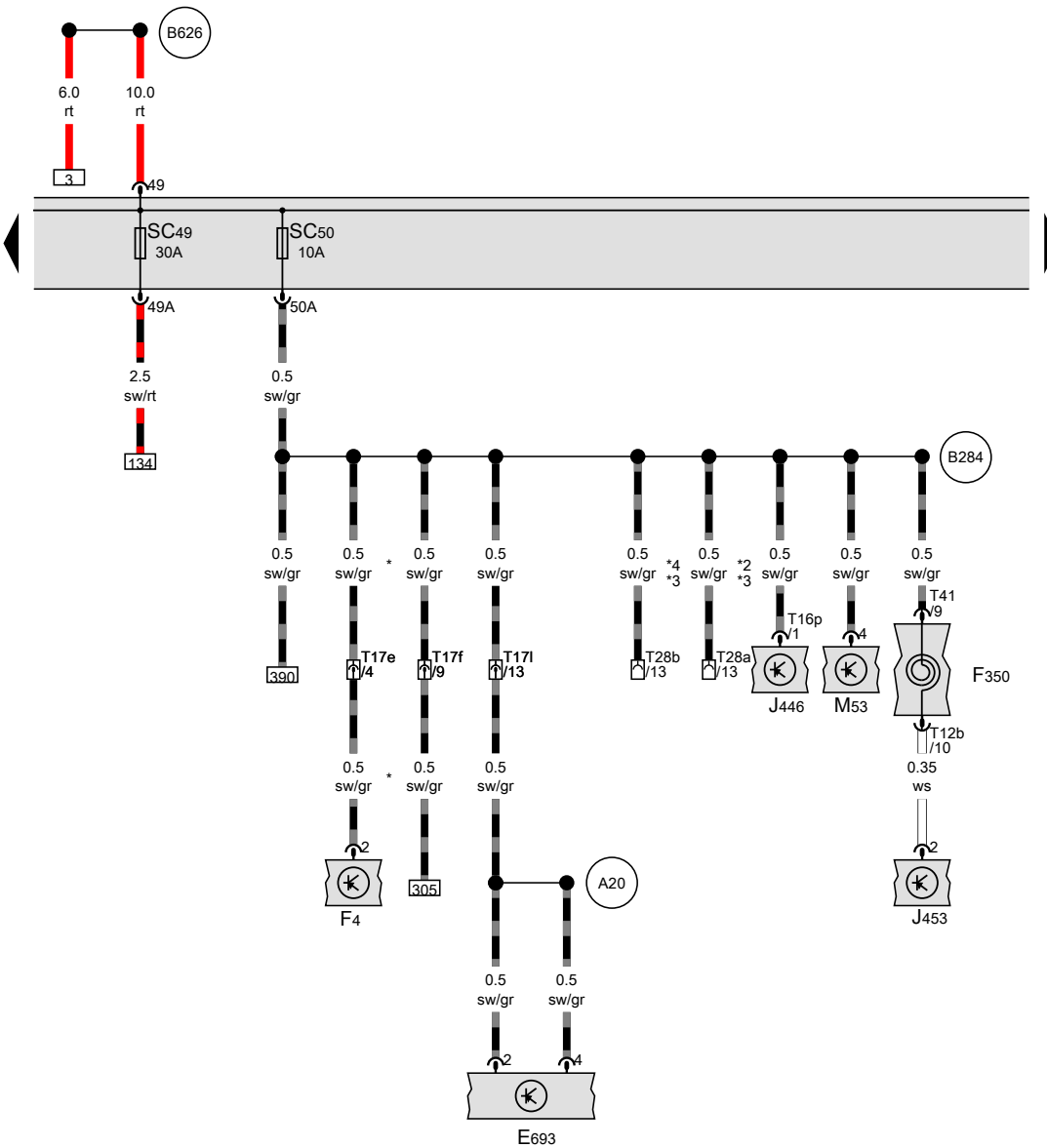
239 240 241 242 243 244 245 246 247 248 249 250 251 252

1560-0641904201

Fuse 49 on fuse holder C, Fuse 50 on fuse holder C

- E693 Start/Stop operation button
- F4 Reversing light switch
- F350 Coil connector
- J446 Parking aid control unit
- J453 Multifunction steering wheel control unit
- M53 Load area illumination bulb
- SC49 Fuse 49 on fuse holder C
- SC50 Fuse 50 on fuse holder C
- T12b 12-pin connector, yellow
- T16p 16-pin connector, brown
- T17e 17-pin connector, red, near handbrake lever
- T17f 17-pin connector, blue, near handbrake lever
- T17l 17-pin connector, brown, behind dash panel
- T28a 28-pin connector, black, on left A-pillar
- T28b 28-pin connector, black, on right A-pillar
- T41 41-pin connector, grey

- (A20) Positive connection (15a), in dash panel wiring harness
- (B284) Positive connection 8 (15a) in main wiring harness
- (B626) Positive connection 2 (15), in main wiring harness
- * For models with manual gearbox
- *2 For right-hand drive models
- *3 Up to February 2020
- *4 For left-hand drive models



ws = white
 sw = black
 ro = red
 rt = red
 br = brown
 gn = green
 bl = blue
 gr = grey
 li = purple
 vi = purple
 ge = yellow
 or = orange
 rs = pink

253 254 255 256 257 258 259 260 261 262 263 264 265 266

1560-0642004201

Fuse 43 on fuse holder C, Fuse 51 on fuse holder C

- E4 Headlight dipper and flasher switch
- E653 Button for left seat heating
- E654 Button for right seat heating
- J519 Onboard supply control unit
- MX1 Front left headlight
- MX2 Front right headlight
- SC43 Fuse 43 on fuse holder C
- SC51 Fuse 51 on fuse holder C
- T41 41-pin connector, grey
- T73a 73-pin connector, black
- T73b 73-pin connector, colourless

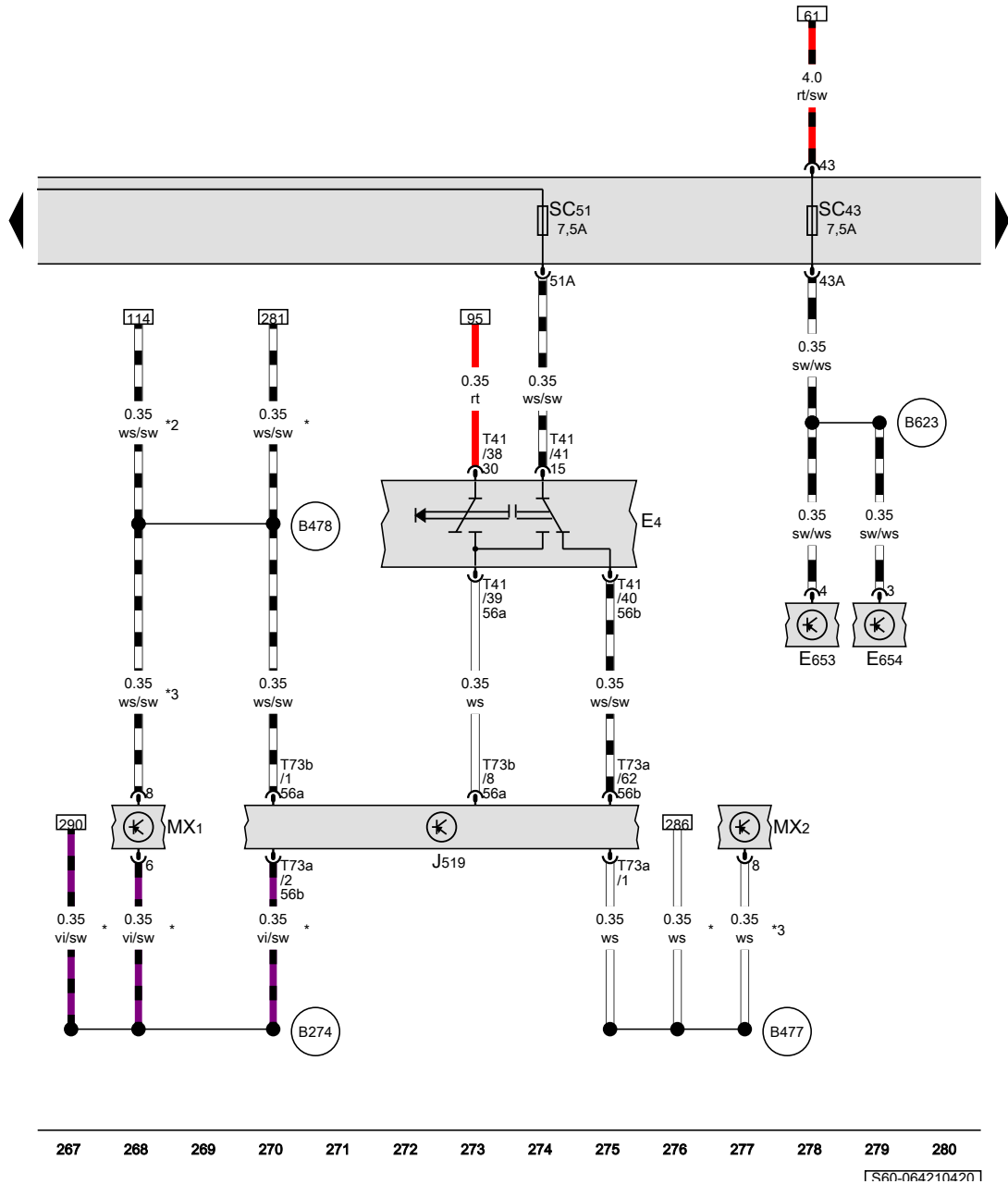
B274 Positive connection (58L), in main wiring harness

B477 Connection 13, in main wiring harness

B478 Connection 14, in main wiring harness

B623 Connection 1 (75x), in main wiring harness

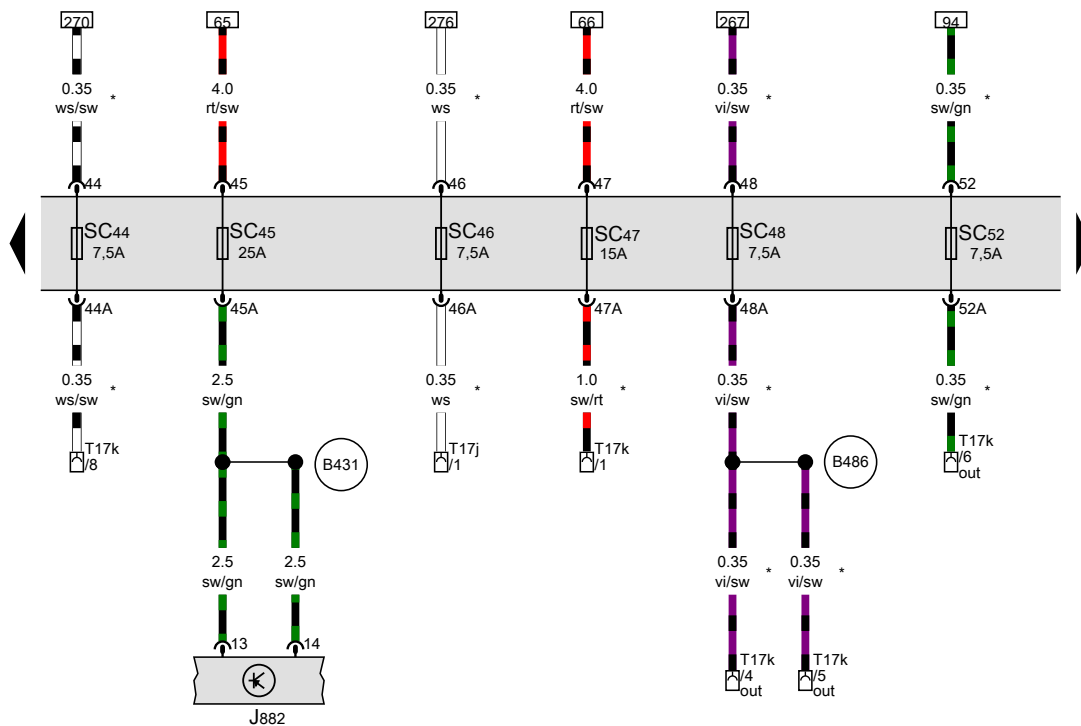
- * For models with electric interface for external use
- *2 For models with auxiliary lights
- *3 For models with no auxiliary lights



- ws = white
- sw = black
- ro = red
- rt = red
- br = brown
- gn = green
- bl = blue
- gr = grey
- li = purple
- vi = purple
- ge = yellow
- or = orange
- rs = pink

[S60-064210420]

Fuse 44 on fuse holder C, Fuse 45 on fuse holder C, Fuse 46 on fuse holder C, Fuse 47 on fuse holder C, Fuse 48 on fuse holder C, Fuse 52 on fuse holder C



- J882 Seat heating control unit
- SC44 Fuse 44 on fuse holder C
- SC45 Fuse 45 on fuse holder C
- SC46 Fuse 46 on fuse holder C
- SC47 Fuse 47 on fuse holder C
- SC48 Fuse 48 on fuse holder C
- SC52 Fuse 52 on fuse holder C
- T17j 17-pin connector, green, near driver side A-pillar
- T17k 17-pin connector, blue, near driver side A-pillar

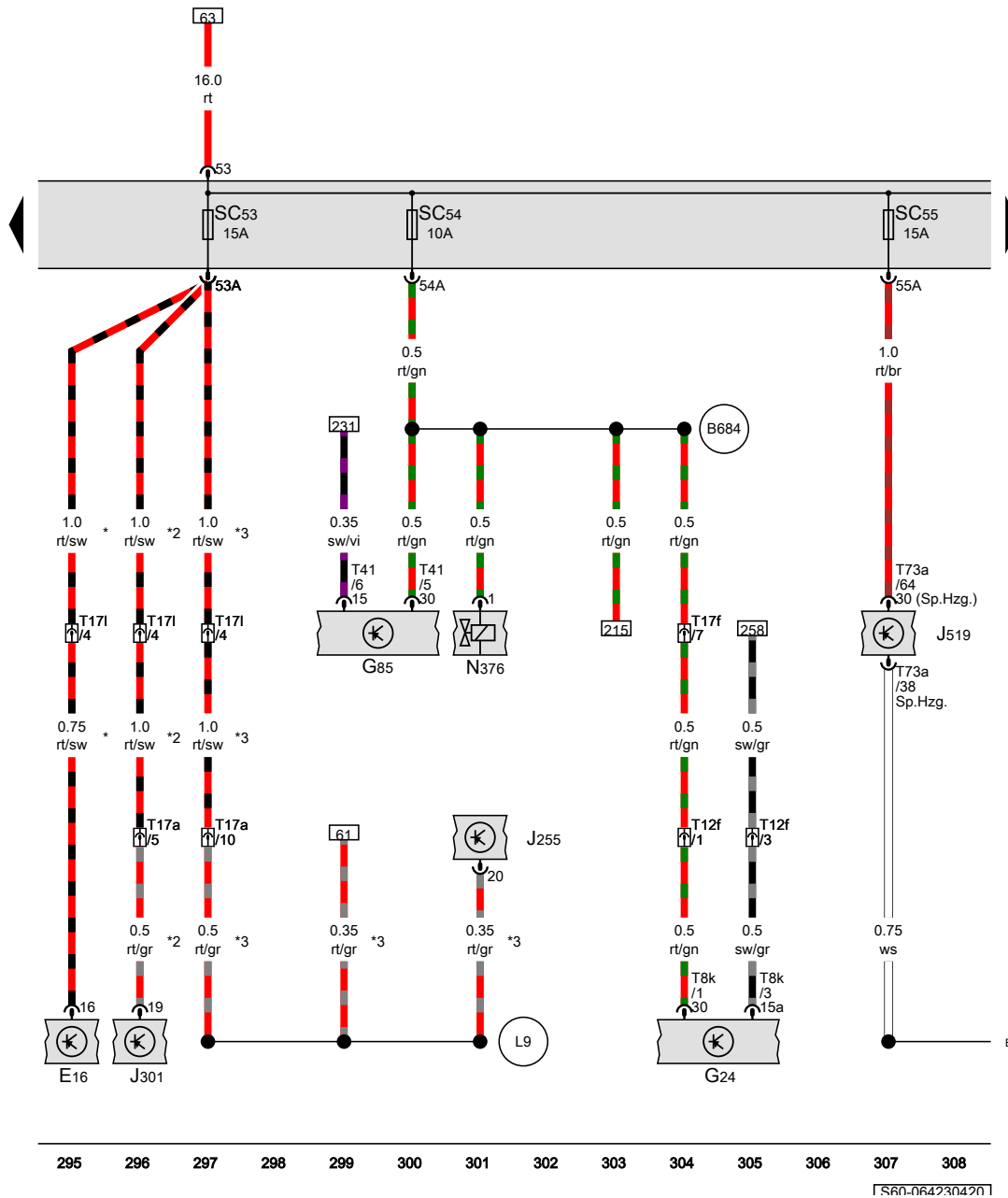
B431 Connection (seat heating), in main wiring harness

B486 Connection 22, in main wiring harness

* For models with electric interface for external use

- ws = white
- sw = black
- ro = red
- rt = red
- br = brown
- gn = green
- bl = blue
- gr = grey
- li = purple
- vi = purple
- ge = yellow
- or = orange
- rs = pink

Fuse 53 on fuse holder C, Fuse 54 on fuse holder C, Fuse 55 on fuse holder C



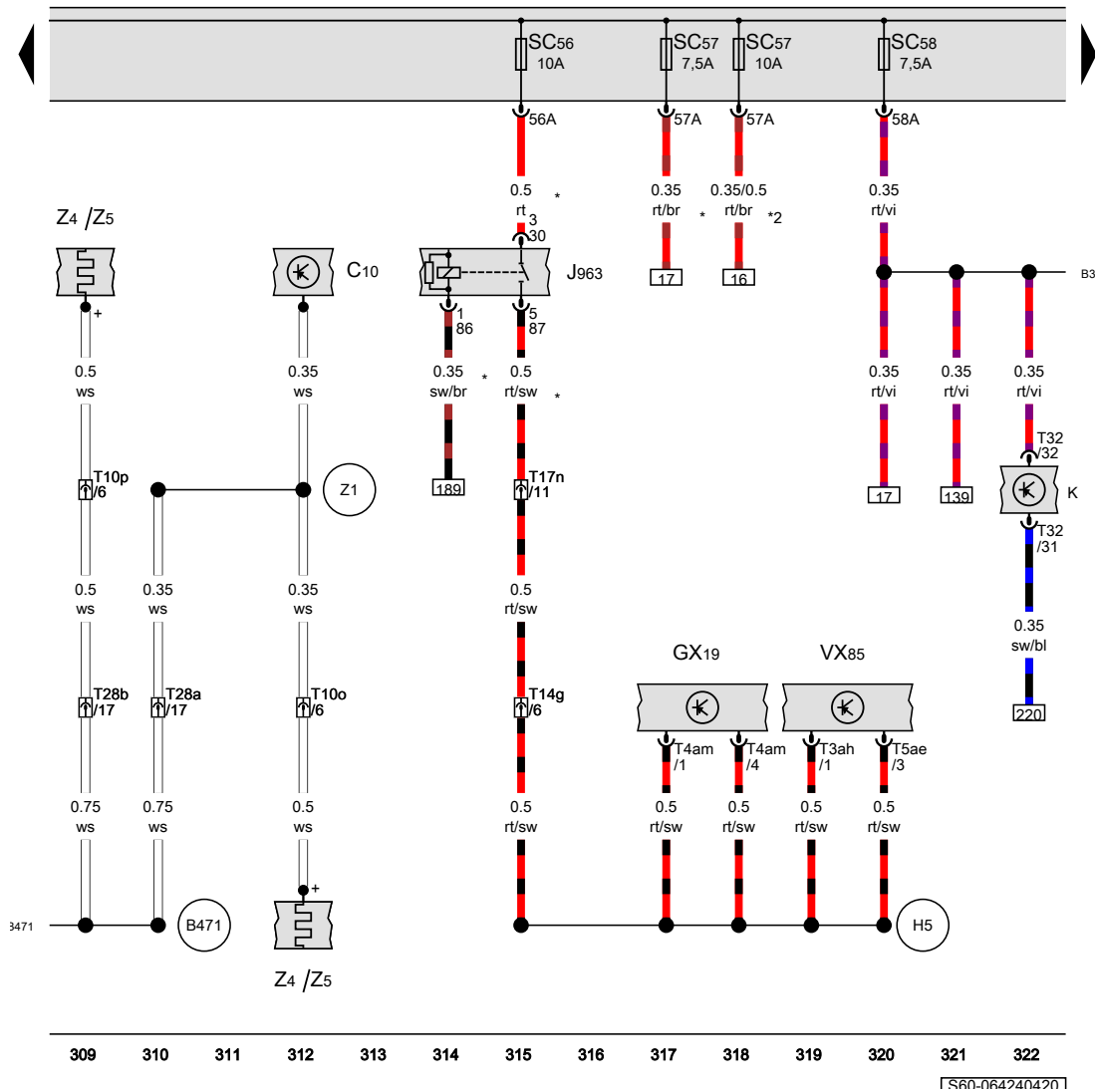
- E16 Heater/heat output switch
- G24 Tachograph
- G85 Steering angle sender
- J255 Climatronic control unit, in centre of dash panel
- J301 Air conditioning system control unit
- J519 Onboard supply control unit, near driver side A-pillar
- N376 Ignition key withdrawal lock solenoid
- SC53 Fuse 53 on fuse holder C
- SC54 Fuse 54 on fuse holder C
- SC55 Fuse 55 on fuse holder C
- T8k 8-pin connector, colourless
- T12f 12-pin connector, black
- T17a 17-pin connector, black
- T17f 17-pin connector, blue, near handbrake lever
- T171 17-pin connector, brown, behind dash panel
- T41 41-pin connector, grey
- T73a 73-pin connector, black

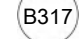
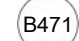

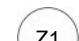
- (B471) Connection 7, in main wiring harness
- (B684) Positive connection 24 (30a) in main wiring harness
- (L9) Connection 1, in air conditioning system wiring harness
- * For models with no air conditioning system/Climatronic
- *2 For models with Climatronic
- *3 For models with Climatronic

- ws = white
- sw = black
- ro = red
- rt = red
- br = brown
- gn = green
- bl = blue
- gr = grey
- li = purple
- vi = purple
- ge = yellow
- or = orange
- rs = pink

Delivery unit for reducing agent metering system, Fuse 56 on fuse holder C, Fuse 57 on fuse holder C, Fuse 58 on fuse holder C, Reducing agent tank

- C10 Suppression filter, in left door
- GX19 Delivery unit for reducing agent metering system, on reducing-agent tank
- J963 Relay for reducing agent metering system
- K Dash panel insert
- SC56 Fuse 56 on fuse holder C
- SC57 Fuse 57 on fuse holder C
- SC58 Fuse 58 on fuse holder C
- T3ah 3-pin connector, black
- T4am 4-pin connector, black
- T5ae 5-pin connector, black
- T10o 10-pin connector, black
- T10p 10-pin connector, black
- T14g 14-pin connector, grey, rear
- T17n 17-pin connector, green, near handbrake lever
- T28a 28-pin connector, black, on left A-pillar
- T28b 28-pin connector, black, on right A-pillar
- T32 32-pin connector, blue
- VX85 Reducing agent tank
- Z4 Heated exterior mirror on driver side
- Z5 Heated exterior mirror on passenger side



-  B31 Positive connection 3 (30a) in main wiring harness
-  B471 Connection 7, in main wiring harness
-  H5 Connection 3 in wiring harness for reducing agent tank
-  Z1 Connection 1, in mirror adjustment/heating wiring harness

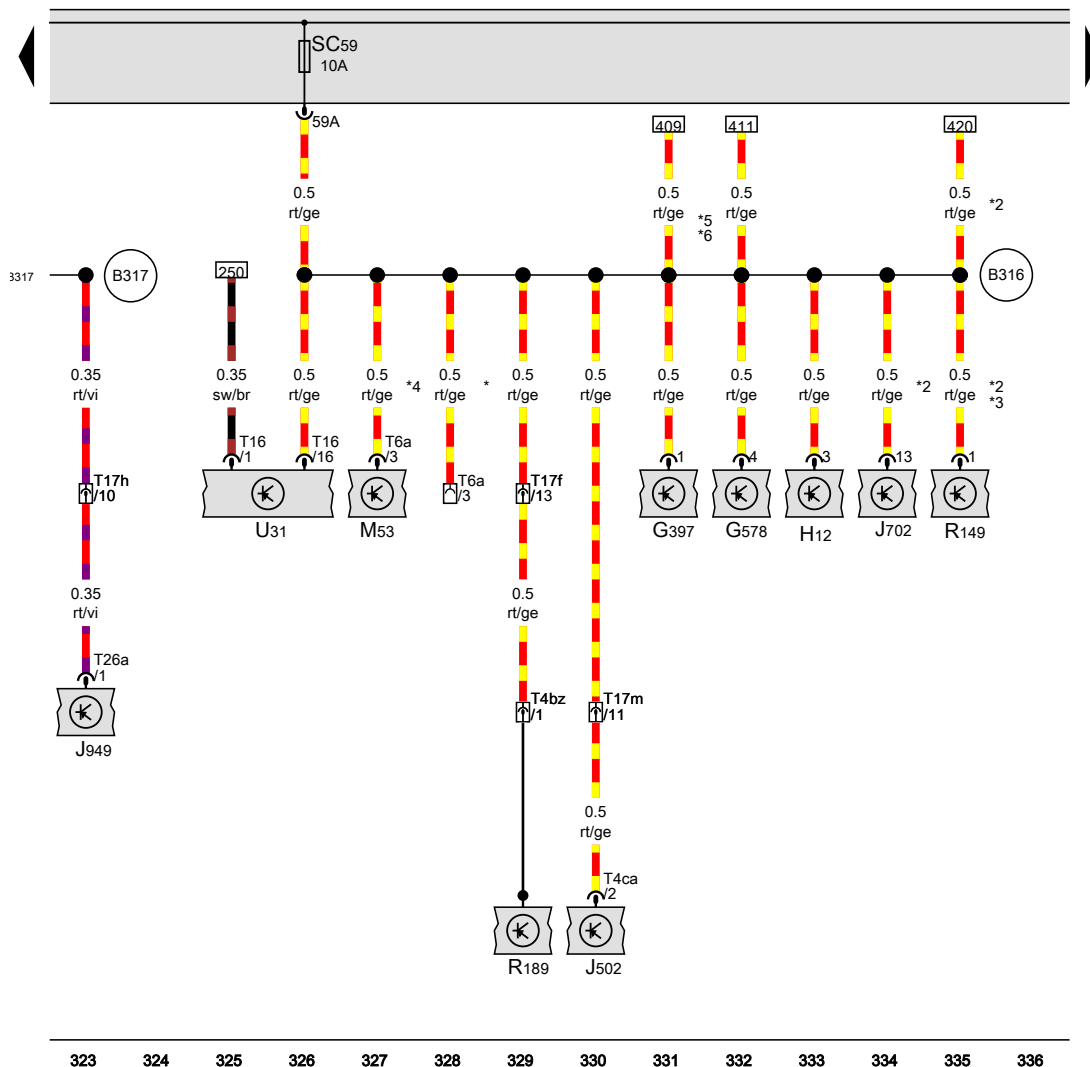
* For models with 3.0l engine
 *2 For models with 2.0l engine

- ws = white
- sw = black
- ro = red
- rt = red
- br = brown
- gn = green
- bl = blue
- gr = grey
- li = purple
- vi = purple
- ge = yellow
- or = orange
- rs = pink

1560-0642404201

Emergency call module control unit and communication unit, Fuse 59 on fuse holder C

- G397 Rain and light sensor
- G578 Anti-theft alarm sensor
- H12 Alarm horn
- J502 Tyre Pressure Monitoring System control unit
- J702 Roof display unit, near interior mirror
- J949 Emergency call module control unit and communication unit
- M53 Load area illumination bulb
- R149 Remote control receiver for auxiliary coolant heater
- R189 Reversing camera
- SC59 Fuse 59 on fuse holder C
- T4bz 4-pin connector, black, on longitudinal member, rear, left
- T4ca 4-pin connector, grey
- T6a 6-pin connector, black, on rear roof module
- T16 16-pin connector, black
- T17f 17-pin connector, blue, near handbrake lever
- T17h 17-pin connector, blue, behind dash panel
- T17m 17-pin connector, brown, near handbrake lever
- T26a 26-pin connector, black
- U31 Diagnostic connection, near lower part of right A-pillar



- B316** Positive connection 2 (30a) in main wiring harness
- B317** Positive connection 3 (30a) in main wiring harness
- * For models with hardtop
- *2 Only models with auxiliary coolant heater
- *3 For models with remote control receiver for auxiliary coolant heater
- *4 For models with no hardtop
- *5 For models with Climatronic
- *6 For models with Climatic

- ws = white
- sw = black
- ro = red
- rt = red
- br = brown
- gn = green
- bl = blue
- gr = grey
- li = purple
- vi = purple
- ge = yellow
- or = orange
- rs = pink

323 324 325 326 327 328 329 330 331 332 333 334 335 336

TS60-064250420

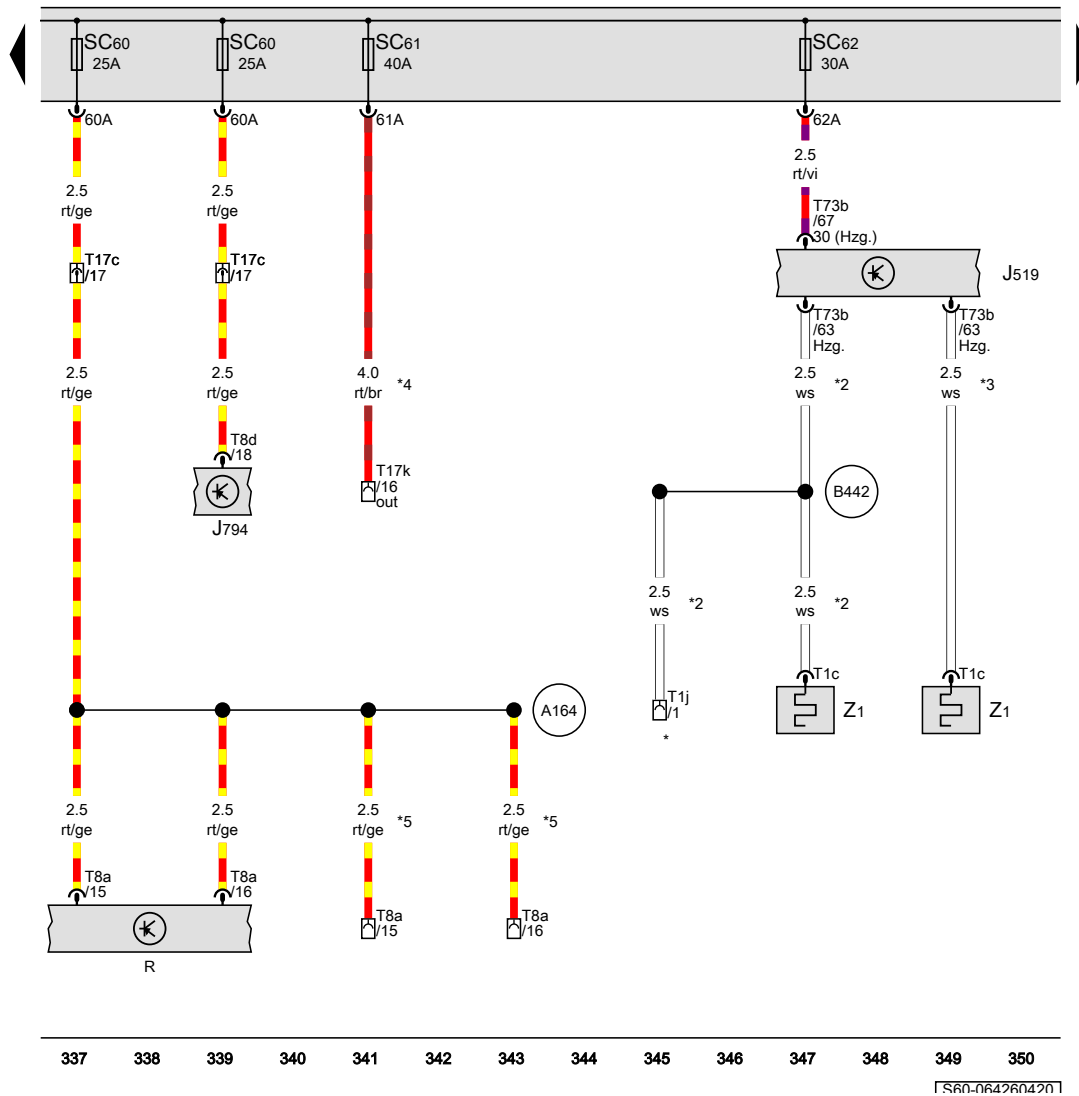
Fuse 60 on fuse holder C, Fuse 61 on fuse holder C, Fuse 62 on fuse holder C

- J519 Onboard supply control unit
- J794 Control unit 1 for information electronics
- R Radio
- SC60 Fuse 60 on fuse holder C
- SC61 Fuse 61 on fuse holder C
- SC62 Fuse 62 on fuse holder C
- T1c 1-pin connector, black
- T1j 1-pin connector, black, on rear roof module
- T8a 8-pin connector, black
- T8d 8-pin connector, black
- T17c 17-pin connector, white, behind dash panel
- T17k 17-pin connector, blue, near driver side A-pillar
- T73b 73-pin connector, colourless
- Z1 Heated rear window

A164 Positive connection 2 (30a) in dash panel wiring harness

B442 Connection 1 (rear window), in main wiring harness


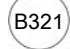

- * see applicable current flow diagram for hardtop
- *2 For models with hardtop
- *3 For models with no hardtop
- *4 For models with electric interface for external use
- *5 For models with preparation for radio



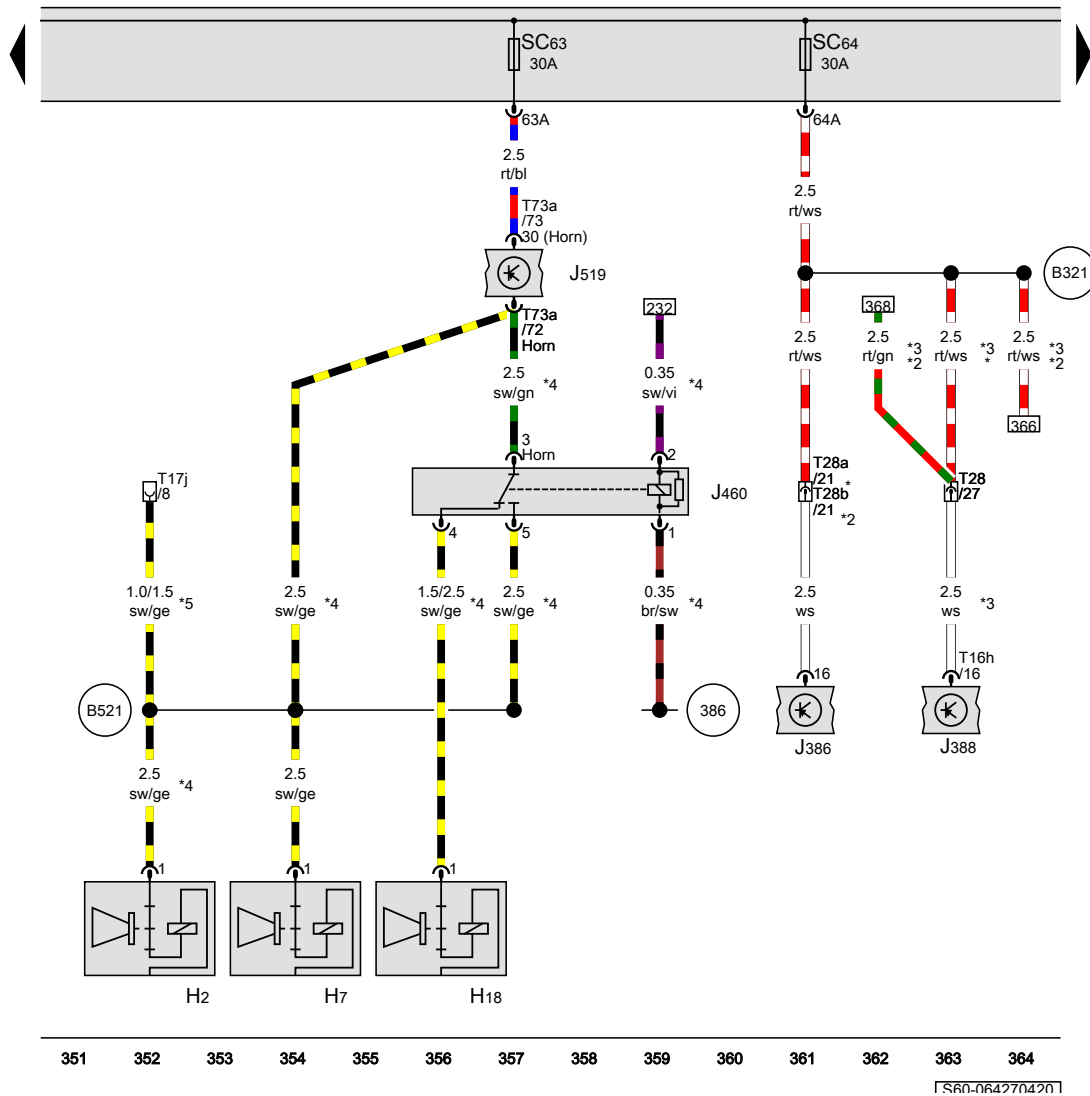
- ws = white
- sw = black
- ro = red
- rt = red
- br = brown
- gn = green
- bl = blue
- gr = grey
- li = purple
- vi = purple
- ge = yellow
- or = orange
- rs = pink

Alarm system relay 1, Fuse 63 on fuse holder C, Fuse 64 on fuse holder C

- H2 Treble horn
- H7 Bass horn
- H18 Alarm system horn
- J386 Driver door control unit
- J388 Rear left door control unit
- J460 Alarm system relay 1
- J519 Onboard supply control unit
- SC63 Fuse 63 on fuse holder C
- SC64 Fuse 64 on fuse holder C
- T17h 16-pin connector, black
- T17j 17-pin connector, green, near driver side A-pillar
- T28 28-pin connector, black, on left B-pillar
- T28a 28-pin connector, black, on left A-pillar
- T28b 28-pin connector, black, on right A-pillar
- T73a 73-pin connector, black

-  386 Earth connection 21, in main wiring harness
-  B321 Positive connection 7 (30a) in main wiring harness
-  B521 Connection (dual tone horn), in main wiring harness
- * For left-hand drive models
- *2 For right-hand drive models
- *3 For models with double cab
- *4 According to equipment
- *5 For models with electric interface for external use

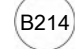
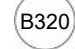


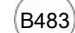
- ws = white
- sw = black
- ro = red
- rt = red
- br = brown
- gn = green
- bl = blue
- gr = grey
- li = purple
- vi = purple
- ge = yellow
- or = orange
- rs = pink



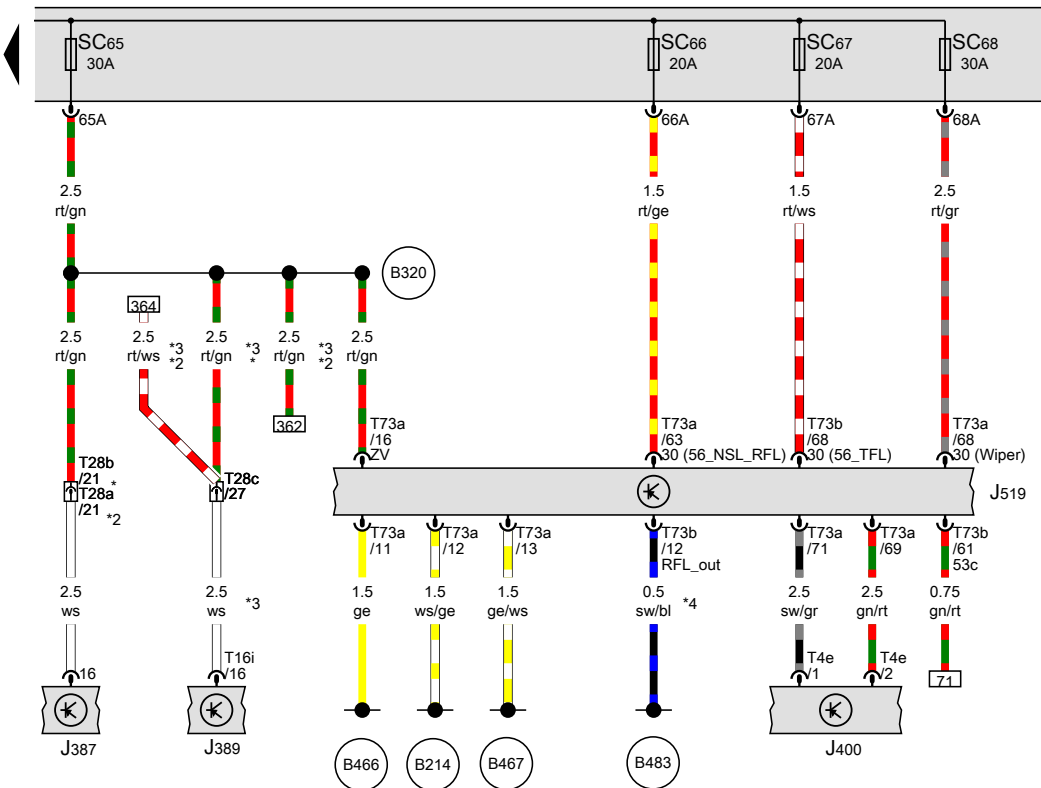
351 352 353 354 355 356 357 358 359 360 361 362 363 364
 [S60-064270420]

Fuse 65 on fuse holder C, Fuse 66 on fuse holder C, Fuse 67 on fuse holder C, Fuse 68 on fuse holder C

- J387 Front passenger door control unit
- J389 Rear right door control unit
- J400 Wiper motor control unit
- J519 Onboard supply control unit
- SC65 Fuse 65 on fuse holder C
- SC66 Fuse 66 on fuse holder C
- SC67 Fuse 67 on fuse holder C
- SC68 Fuse 68 on fuse holder C
- T4e 4-pin connector, black
- T16i 16-pin connector, black
- T28a 28-pin connector, black, on left A-pillar
- T28b 28-pin connector, black, on right A-pillar
- T28c 28-pin connector, black, on right B-pillar
- T73a 73-pin connector, black
- T73b 73-pin connector, colourless

-  B214 Connection 1 (central locking), in interior wiring harness
-  B320 Positive connection 6 (30a) in main wiring harness
-  B466 Connection 2, in main wiring harness
-  B467 Connection 3, in main wiring harness
-  B483 Connection 19, in main wiring harness

- * For left-hand drive models
- *2 For right-hand drive models
- *3 For models with double cab
- *4 see applicable current flow diagram for exterior lighting



- ws = white
- sw = black
- ro = red
- rt = red
- br = brown
- gn = green
- bl = blue
- gr = grey
- li = purple
- vi = purple
- ge = yellow
- or = orange
- rs = pink

365 366 367 368 369 370 371 372 373 374 375 376 377 378

1560-0642804201

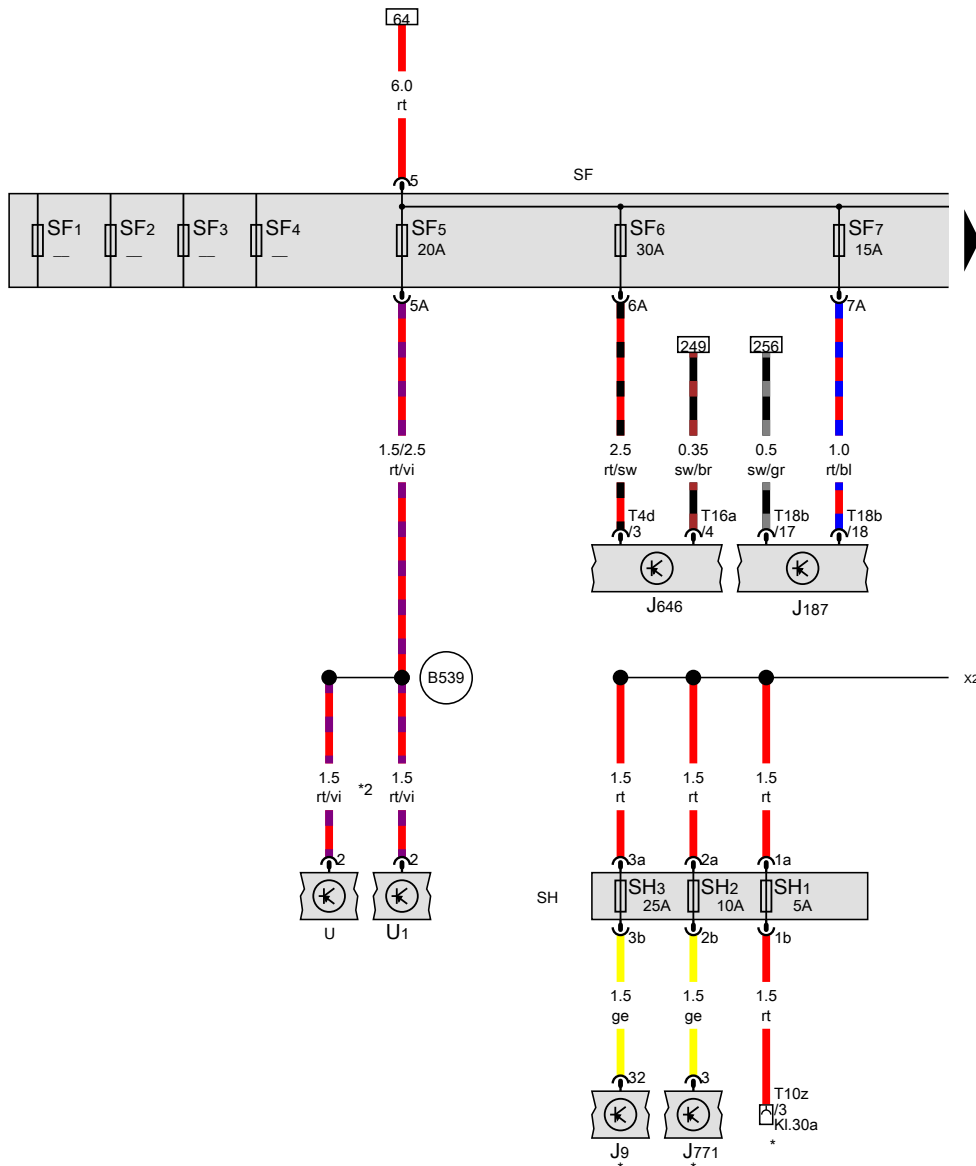
Heated rear window relay, Blocking relay, Fuse 1 in fuse holder F, Fuse 2 in fuse holder F, Fuse 3 in fuse holder F, Fuse 4 in fuse holder F, Fuse holder H, Fuse 5 in fuse holder F, Fuse 6 in fuse holder F, Fuse 7 in fuse holder F

- J9 Heated rear window relay, in rear part of roof, middle
- J187 Differential lock control unit
- J646 Transfer box control unit
- J771 Blocking relay, in rear part of roof, middle
- SF Fuse holder F
- SH1 Fuse 1 in fuse holder H
- SF1 Fuse 1 in fuse holder F
- SH2 Fuse 2 in fuse holder H
- SF2 Fuse 2 in fuse holder F
- SF3 Fuse 3 in fuse holder F
- SF4 Fuse 4 in fuse holder F
- SH Fuse holder H, in rear part of roof, middle
- SH3 Fuse 3 in fuse holder H
- SF5 Fuse 5 in fuse holder F
- SF6 Fuse 6 in fuse holder F
- SF7 Fuse 7 in fuse holder F
- T4d 4-pin connector, brown
- T10z 10-pin connector, black, in rear part of roof, middle
- T16a 16-pin connector, brown
- T18b 18-pin connector, black
- U Electric socket, on centre console switch module
- U1 Cigarette lighter, on centre console switch module

B539 Connection 30, in main wiring harness

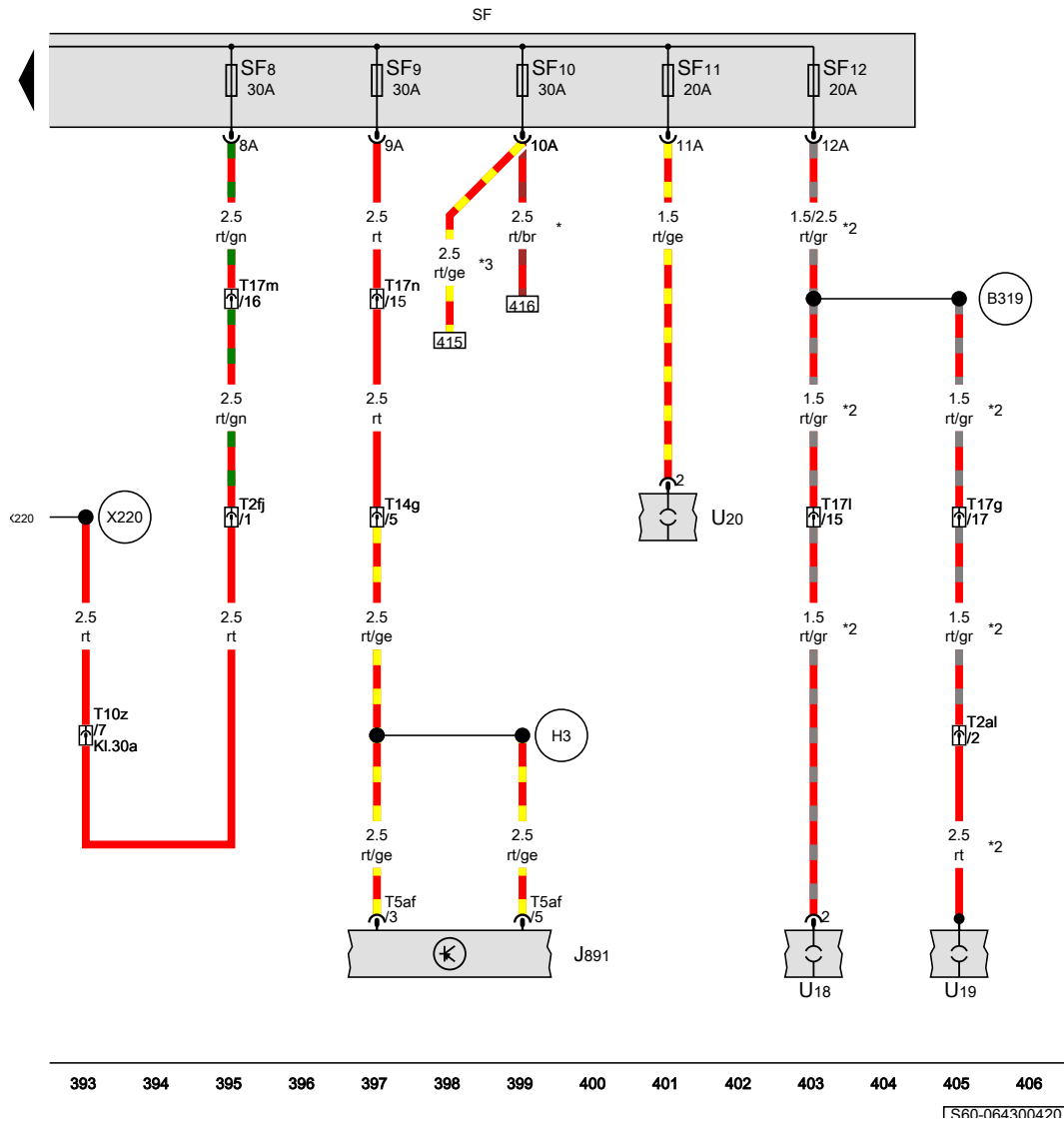
X220 Positive connection 1 (30a) in special vehicle wiring harness

- * For models with hardtop
- *2 For models with 12 V socket



- ws = white
- sw = black
- ro = red
- rt = red
- br = brown
- gn = green
- bl = blue
- gr = grey
- li = purple
- vi = purple
- ge = yellow
- or = orange
- rs = pink

Fuse 8 in fuse holder F, Fuse 9 in fuse holder F, Fuse 10 in fuse holder F, Fuse 11 in fuse holder F, Fuse 12 in fuse holder F



- J891 Control unit for reducing agent heater
- SF Fuse holder F
- SF8 Fuse 8 in fuse holder F
- SF9 Fuse 9 in fuse holder F
- SF10 Fuse 10 in fuse holder F
- SF11 Fuse 11 in fuse holder F
- SF12 Fuse 12 in fuse holder F
- T2al 2-pin connector, black, Interface for rear left socket, on wheel housing
- T2fj 2-pin connector, brown, on cross panel, rear, left
- T5af 5-pin connector, colourless
- T10z 10-pin connector, black, in rear part of roof, middle
- T14g 14-pin connector, grey, rear
- T17g 17-pin connector, black
- T17i 17-pin connector, brown, behind dash panel
- T17m 17-pin connector, brown, near handbrake lever
- T17n 17-pin connector, green, near handbrake lever
- U18 12 V socket 2, in centre of dash panel, in storage compartment
- U19 12 V socket 3, on left wheel housing
- U20 12 V socket 4

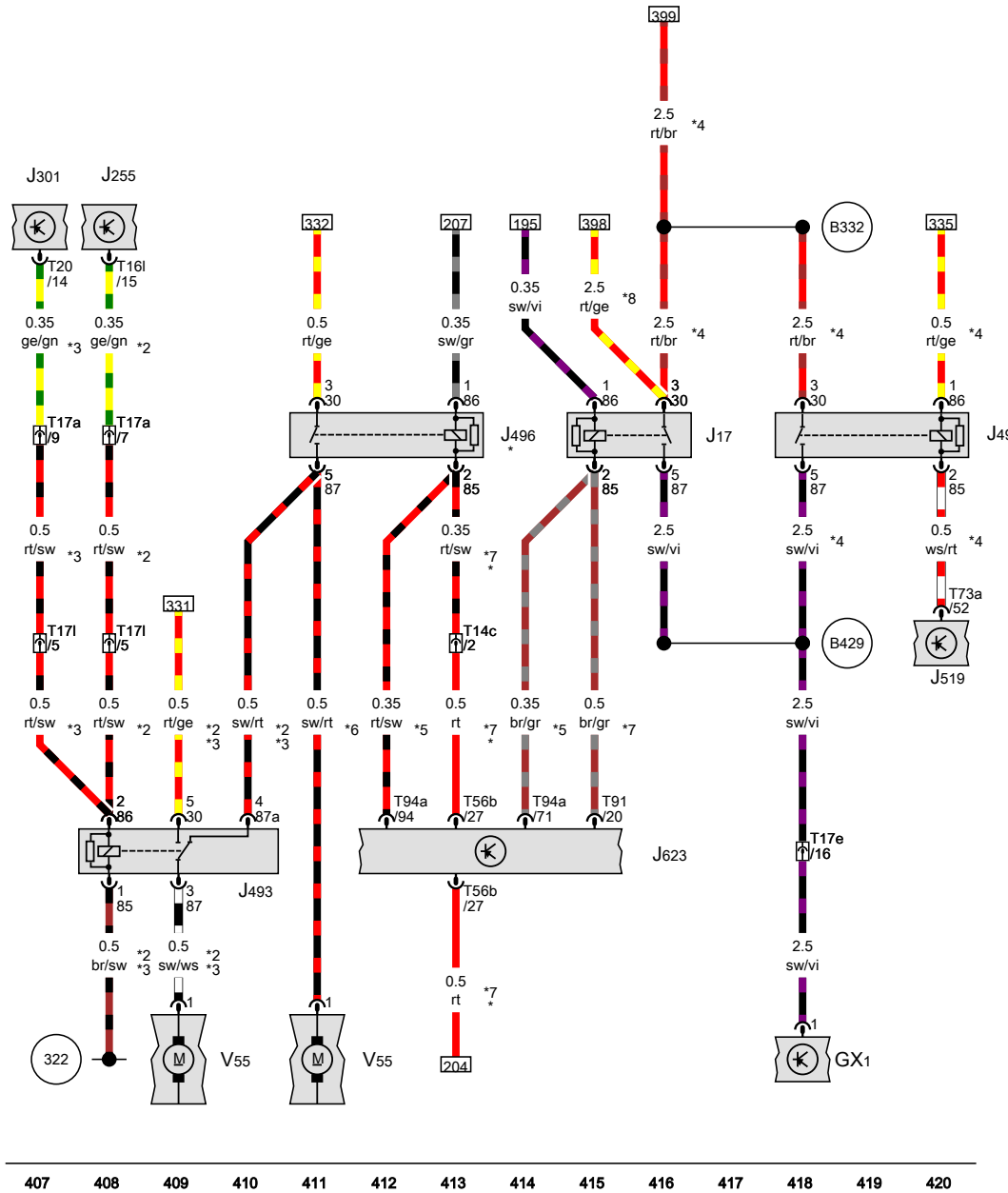
- B319 Positive connection 5 (30a) in main wiring harness
- H3 Connection 1 in wiring harness for reducing agent tank
- X220 Positive connection 1 (30a) in special vehicle wiring harness
- * Only models with auxiliary coolant heater
- *2 For models with 12 V socket
- *3 For models with no auxiliary coolant heater

Fuel pump relay, Electric fuel pump 2 relay, Auxiliary coolant heater relay, Additional coolant pump relay, Onboard supply control unit, Engine/motor control unit

- GX1 Fuel delivery unit
- J17 Fuel pump relay
- J49 Electric fuel pump 2 relay
- J255 Climatronic control unit, in centre of dash panel
- J301 Air conditioning system control unit
- J493 Auxiliary coolant heater relay
- J496 Additional coolant pump relay
- J519 Onboard supply control unit
- J623 Engine/motor control unit
- T14c 14-pin connector, grey, near battery
- T16l 16-pin connector, black
- T17a 17-pin connector, black
- T17e 17-pin connector, red, near handbrake lever
- T17l 17-pin connector, brown, behind dash panel
- T20 20-pin connector, black
- T56b 56-pin connector, black
- T73a 73-pin connector, black
- T91 91-pin connector, black
- T94a 94-pin connector, black
- V55 Circulation pump, in engine compartment, near left headlight
- 322 Earth connection (screening 3, TV), in communication wiring harness
- B332 Positive connection 18 (30a) in main wiring harness
- B429 Connection (EFPR), in main wiring harness

- * According to equipment
- *2 For models with Climatronic
- *3 For models with Climatic
- *4 Only models with auxiliary coolant heater
- *5 For models with 2.0l engine
- *6 For models with no air conditioning system/Climatronic
- *7 For models with 3.0l engine
- *8 For models with no auxiliary coolant heater

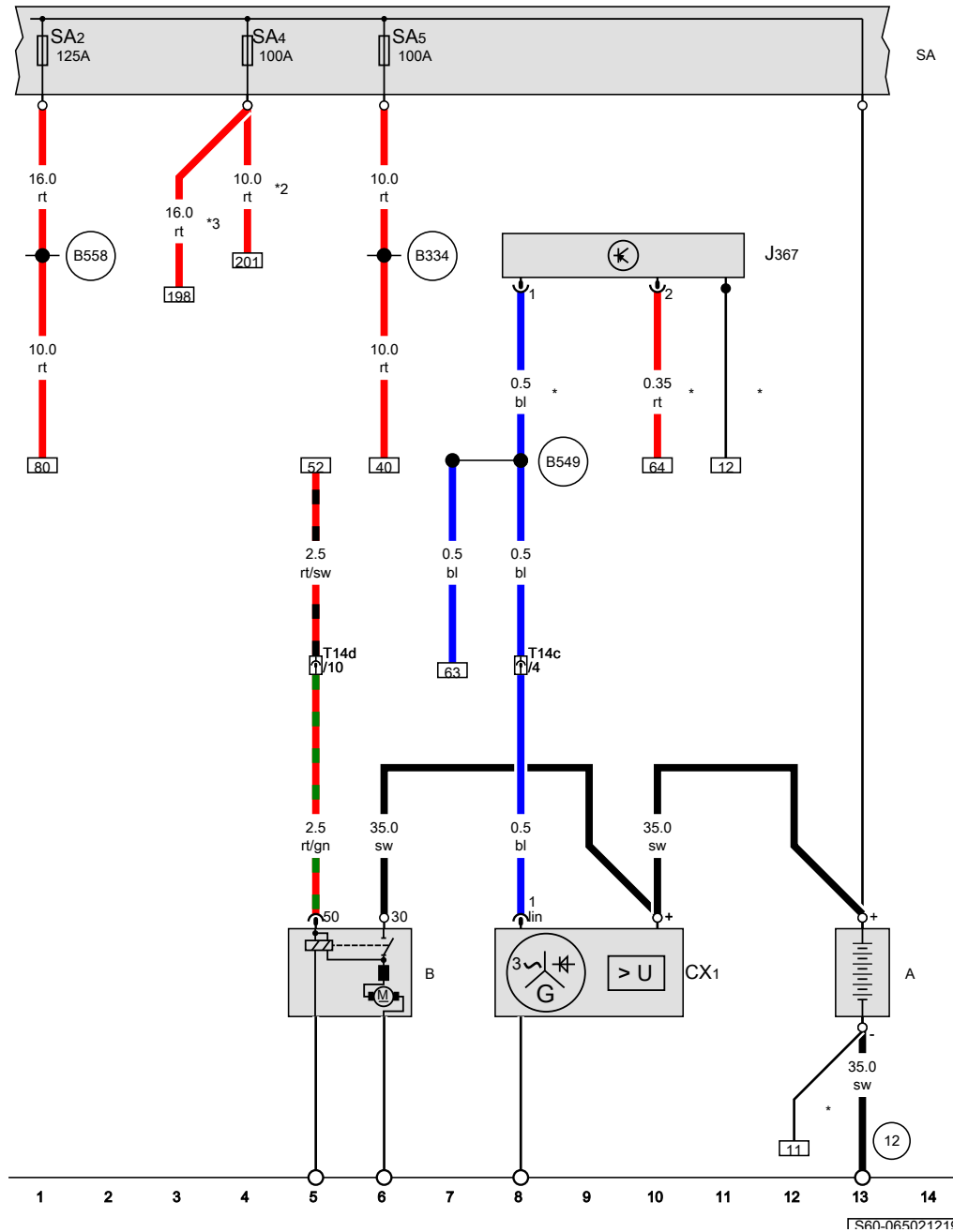
- ws = white
- sw = black
- ro = red
- rt = red
- br = brown
- gn = green
- bl = blue
- gr = grey
- li = purple
- vi = purple
- ge = yellow
- or = orange
- rs = pink



1560-0643104201

3.0l diesel engine , DDXA,DDXB,DDXC,DDXD,DDXE,(7MJ),(7MM),(7MR)

From August 2018

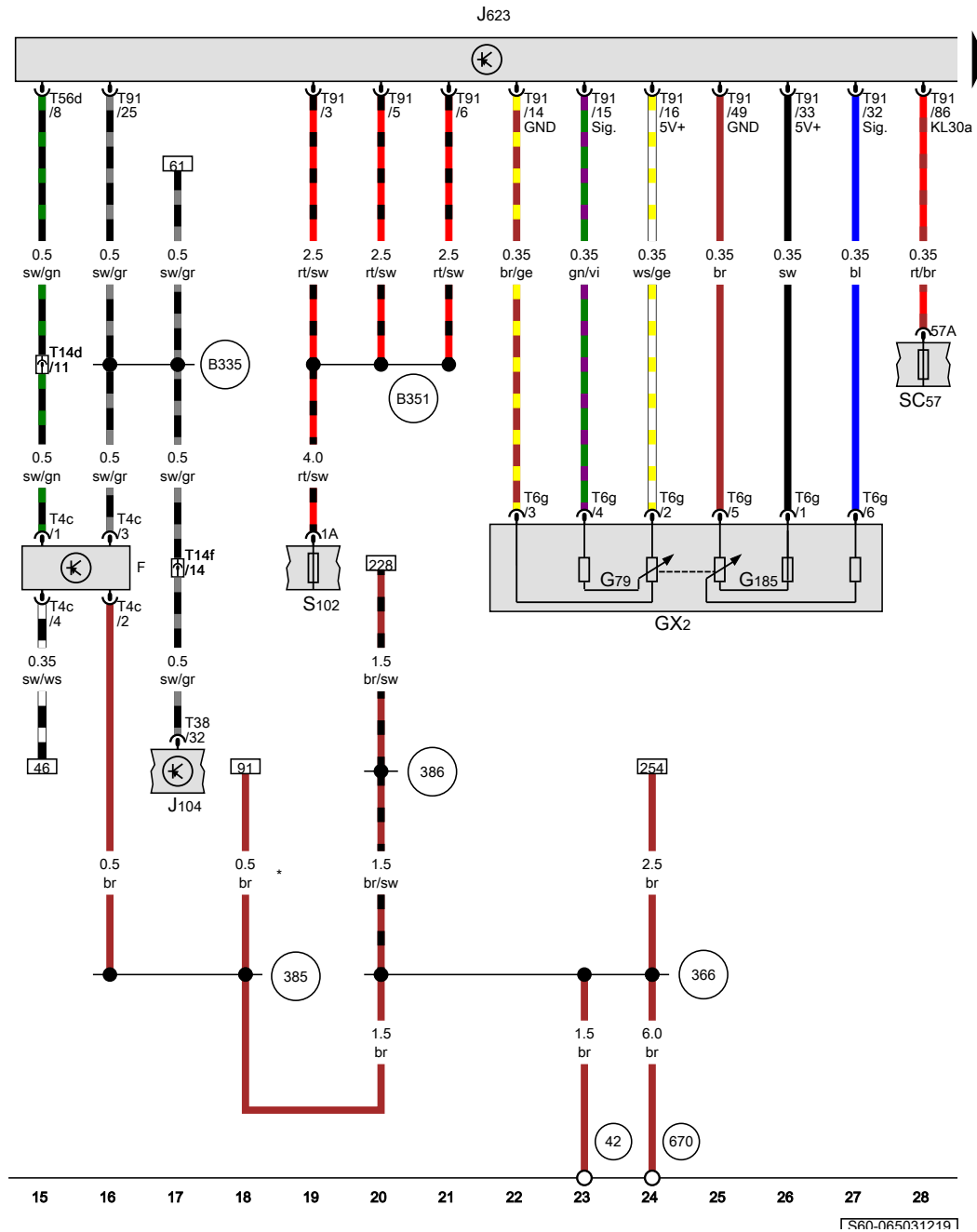


Battery, Starter, Alternator with voltage regulator, Battery monitor control unit, Fuse holder A

- A Battery
- B Starter
- CX1 Alternator with voltage regulator
- J367 Battery monitor control unit
- SA Fuse holder A
- SA2 Fuse 2 on fuse holder A
- SA4 Fuse 4 on fuse holder A
- SA5 Fuse 5 on fuse holder A
- T14c 14-pin connector, grey, near battery
- T14d 14-pin connector, black, near battery
- 12 Earth point, on left in engine compartment
- B334 Positive connection 20 (30a) in main wiring harness
- B549 Connection 2 (LIN bus) in main wiring harness
- B558 Positive connection 22 (30a) in main wiring harness
- * For models with start/stop system
- *2 For models with low fan output
- *3 For models with increased fan output

- ws = white
- sw = black
- ro = red
- rt = red
- br = brown
- gn = green
- bl = blue
- gr = grey
- li = purple
- vi = purple
- ge = yellow
- or = orange
- rs = pink

[S60-065021219]

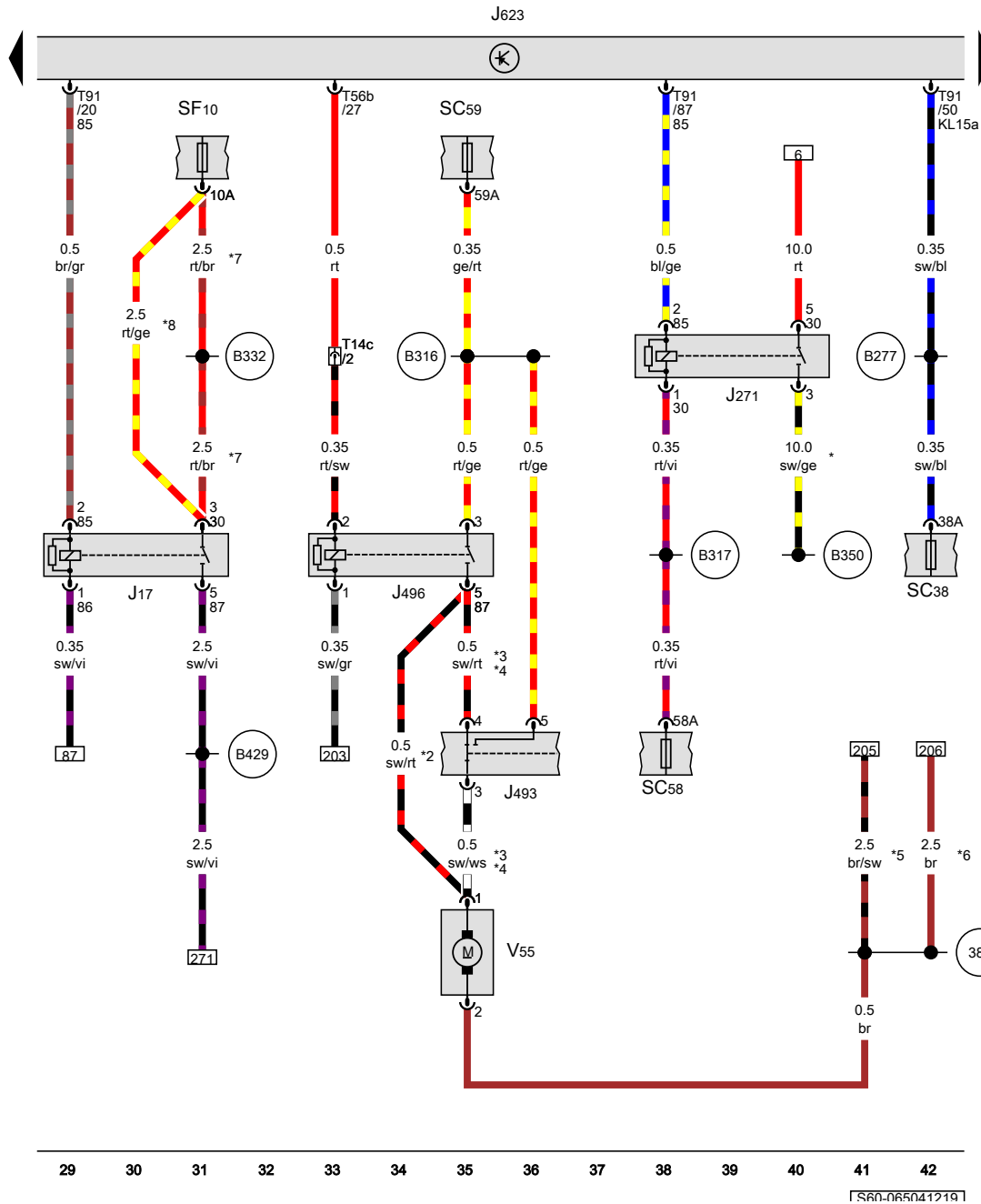


Brake light switch, Accelerator pedal module, Accelerator position sender, Accelerator position sender 2, ABS control unit, Engine/motor control unit, Fuse 57 on fuse holder C, Engine/motor control unit fuse

- F Brake light switch
 - GX2 Accelerator pedal module
 - G79 Accelerator position sender
 - G185 Accelerator position sender 2
 - J104 ABS control unit
 - J623 Engine/motor control unit
 - SC57 Fuse 57 on fuse holder C
 - S102 Engine/motor control unit fuse
 - T4c 4-pin connector, black
 - T6g 6-pin connector, black
 - T14d 14-pin connector, black, near battery
 - T14f 14-pin connector, black, near right headlight
 - T38 38-pin connector, black
 - T56d 56-pin connector, black
 - T91 91-pin connector, black
- 42 Earth point, next to steering column
 - 366 Earth connection 1, in main wiring harness
 - 385 Earth connection 20, in main wiring harness
 - 386 Earth connection 21, in main wiring harness
 - 670 Earth point 2, left A-pillar
 - B335 Connection 1 (54), in main wiring harness
 - B351 Positive connection 2 (87a) in main wiring harness
- * For models with manual gearbox

- ws = white
- sw = black
- ro = red
- rt = red
- br = brown
- gn = green
- bl = blue
- gr = grey
- li = purple
- vi = purple
- ge = yellow
- or = orange
- rs = pink

15 16 17 18 19 20 21 22 23 24 25 26 27 28



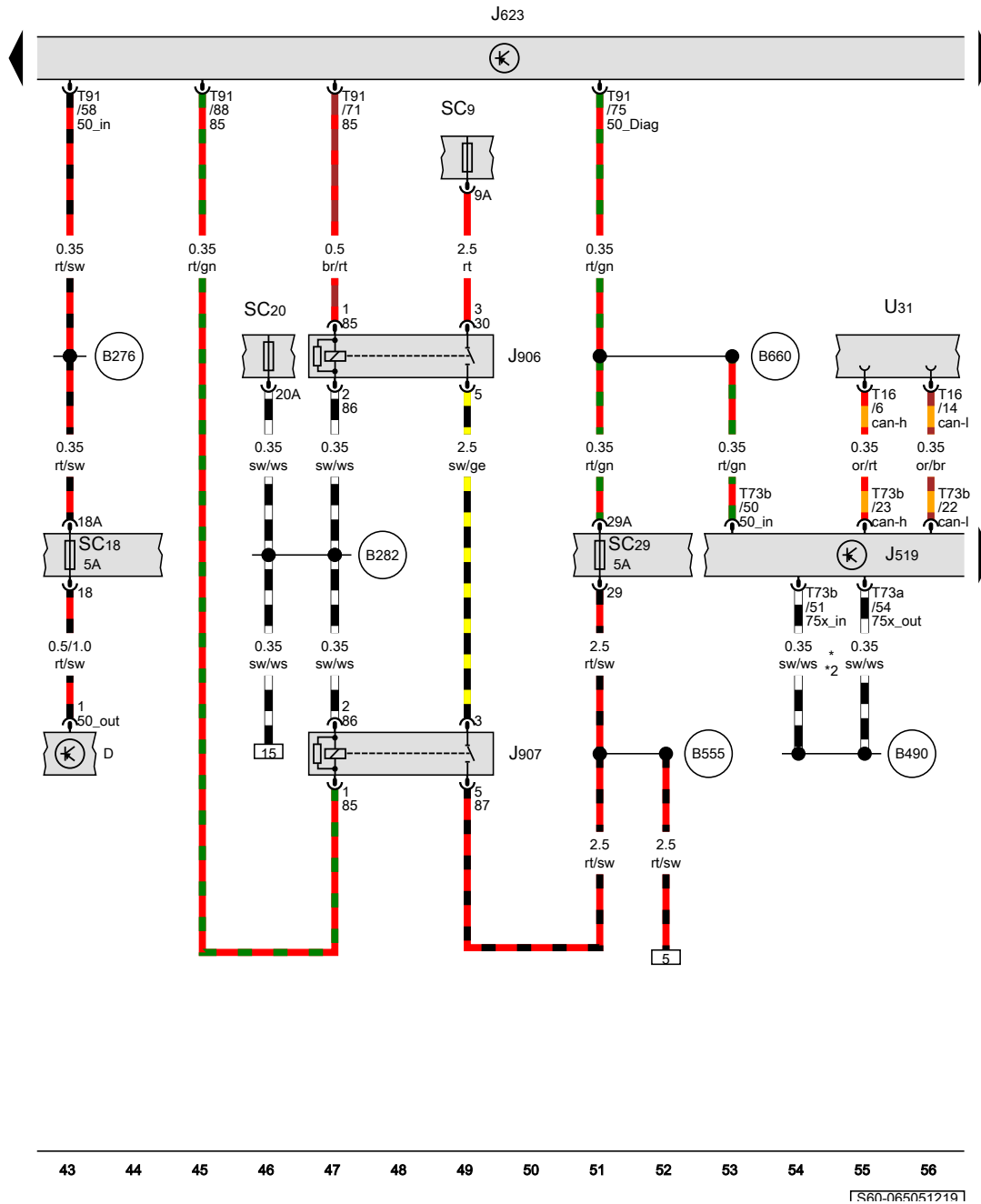
Fuel pump relay, Main relay, Auxiliary coolant heater relay, Additional coolant pump relay, Engine/motor control unit, Fuse 10 in fuse holder F, Fuse 38 on fuse holder C, Fuse 58 on fuse holder C, Fuse 59 on fuse holder C, Circulation pump

- J17 Fuel pump relay
- J271 Main relay
- J493 Auxiliary coolant heater relay, on relay carrier
- J496 Additional coolant pump relay
- J623 Engine/motor control unit
- SF10 Fuse 10 in fuse holder F
- SC38 Fuse 38 on fuse holder C
- SC58 Fuse 58 on fuse holder C
- SC59 Fuse 59 on fuse holder C
- T14c 14-pin connector, grey, near battery
- T56b 56-pin connector, black
- T91 91-pin connector, black
- V55 Circulation pump, in engine compartment, on left headlight

- (388) Earth connection 23, in main wiring harness
- (B277) Positive connection 1 (15a) in main wiring harness
- (B316) Positive connection 2 (30a) in main wiring harness
- (B317) Positive connection 3 (30a) in main wiring harness
- (B332) Positive connection 18 (30a) in main wiring harness
- (B350) Positive connection 1 (87a) in main wiring harness
- (B429) Connection (EFPR), in main wiring harness

- * see applicable current flow diagram for fuse assignment
- *2 For models with no air conditioning system
- *3 For models with Climatronic
- *4 For models with Climatic
- *5 For left-hand drive models
- *6 For right-hand drive models
- *7 Only models with auxiliary coolant heater
- *8 For models with no auxiliary coolant heater

- ws = white
- sw = black
- ro = red
- rt = red
- br = brown
- gn = green
- bl = blue
- gr = grey
- li = purple
- vi = purple
- ge = yellow
- or = orange
- rs = pink



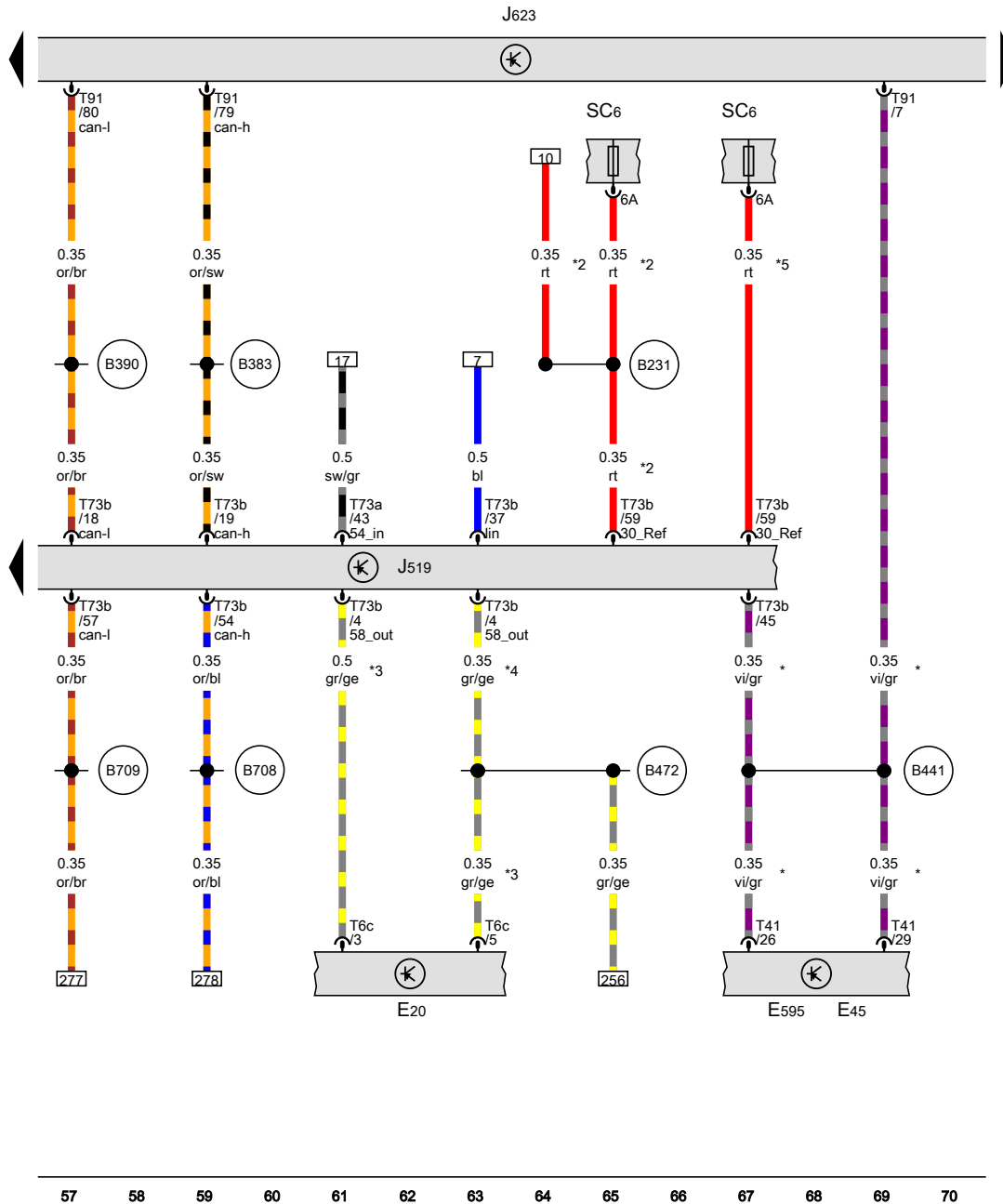
Ignition/starter switch, Onboard supply control unit, Engine/motor control unit, Starter relay 1, Starter relay 2, Fuse 9 on fuse holder C, Fuse 18 on fuse holder C, Fuse 20 on fuse holder C, Fuse 29 on fuse holder C, Diagnostic connection

- D Ignition/starter switch
- J519 Onboard supply control unit
- J623 Engine/motor control unit
- J906 Starter relay 1
- J907 Starter relay 2
- SC9 Fuse 9 on fuse holder C
- SC18 Fuse 18 on fuse holder C
- SC20 Fuse 20 on fuse holder C
- SC29 Fuse 29 on fuse holder C
- T16 16-pin connector, black
- T73a 73-pin connector, black
- T73b 73-pin connector, colourless
- T91 91-pin connector, black
- U31 Diagnostic connection
- (B276) Positive connection (50), in main wiring harness
- (B282) Positive connection 6 (15a) in main wiring harness
- (B490) Connection 26, in main wiring harness
- (B555) Positive connection 2 (50), in main wiring harness
- (B660) Connection (diagnosis terminal 50), in main wiring harness
- * For models with no start/stop system
- *2 Wire with no function

- ws = white
- sw = black
- ro = red
- rt = red
- br = brown
- gn = green
- bl = blue
- gr = grey
- li = purple
- vi = purple
- ge = yellow
- or = orange
- rs = pink

43 44 45 46 47 48 49 50 51 52 53 54 55 56

[S60-065051219]



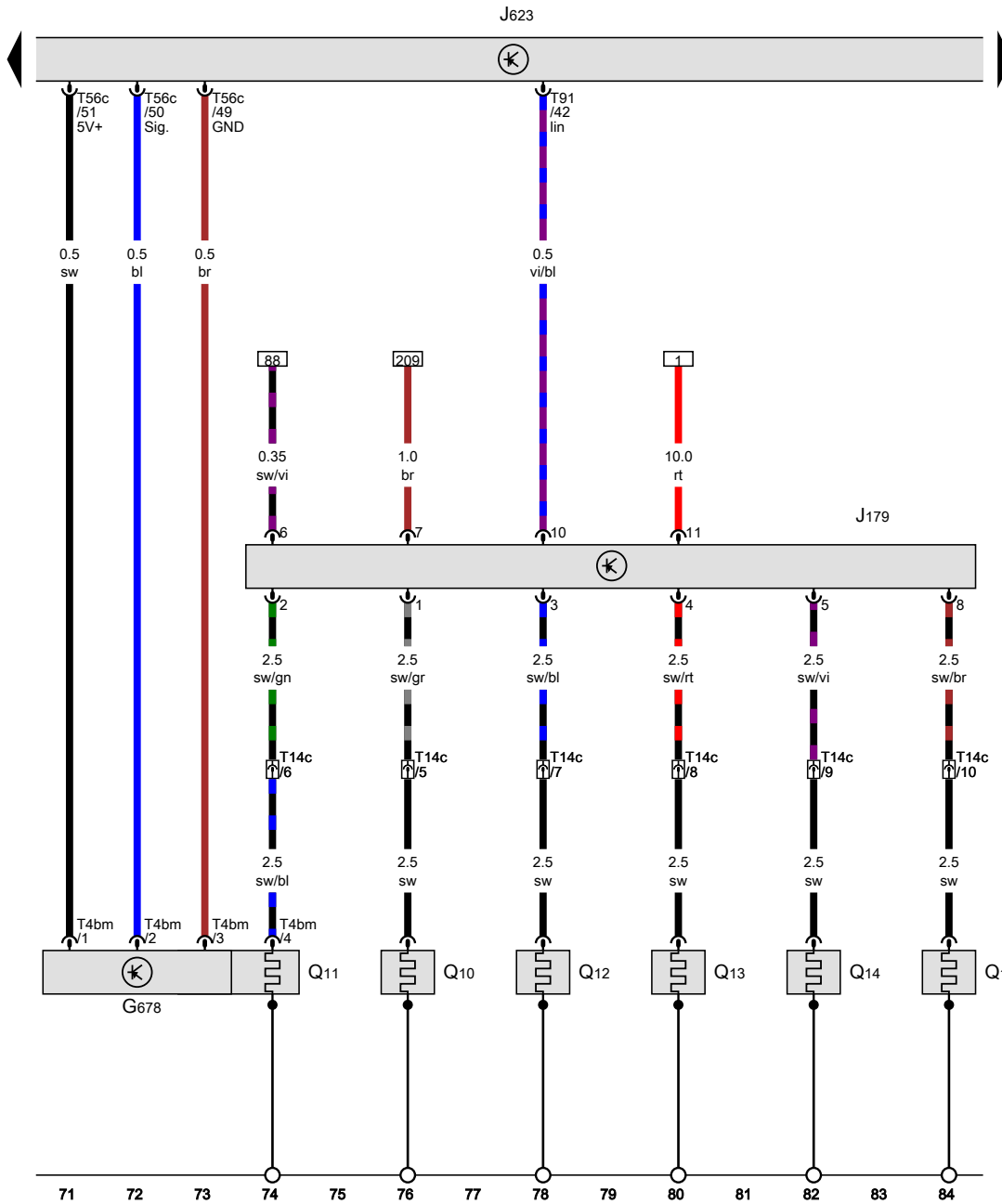
Switch and instrument illumination regulator, Cruise control system switch, Steering column combination switch, Onboard supply control unit, Engine/motor control unit, Fuse 6 on fuse holder C

- E20 Switch and instrument illumination regulator
 - E45 Cruise control system switch
 - E595 Steering column combination switch
 - J519 Onboard supply control unit
 - J623 Engine/motor control unit
 - SC6 Fuse 6 on fuse holder C
 - T6c 6-pin connector, black
 - T41 41-pin connector, grey
 - T73a 73-pin connector, black
 - T73b 73-pin connector, colourless
 - T91 91-pin connector, black
- (B231) Positive connection 5 (30a), in interior wiring harness
 - (B383) Connection 1 (powertrain CAN bus, high), in main wiring harness
 - (B390) Connection 1 (powertrain CAN bus, low), in main wiring harness
 - (B441) Connection (CCS), in main wiring harness
 - (B472) Connection 8, in main wiring harness
 - (B708) Connection 1 (dash panel insert CAN bus high) in main wiring harness
 - (B709) Connection 1 (dash panel insert CAN bus low) in main wiring harness
- * For models with cruise control system (CCS)
 - *2 For models with start/stop system
 - *3 For models with dimmable instrument illumination
 - *4 For models with no dimmable instrument illumination
 - *5 For models with no start/stop system

- ws = white
- sw = black
- ro = red
- rt = red
- br = brown
- gn = green
- bl = blue
- gr = grey
- li = purple
- vi = purple
- ge = yellow
- or = orange
- rs = pink

57 58 59 60 61 62 63 64 65 66 67 68 69 70

TS60-065061219

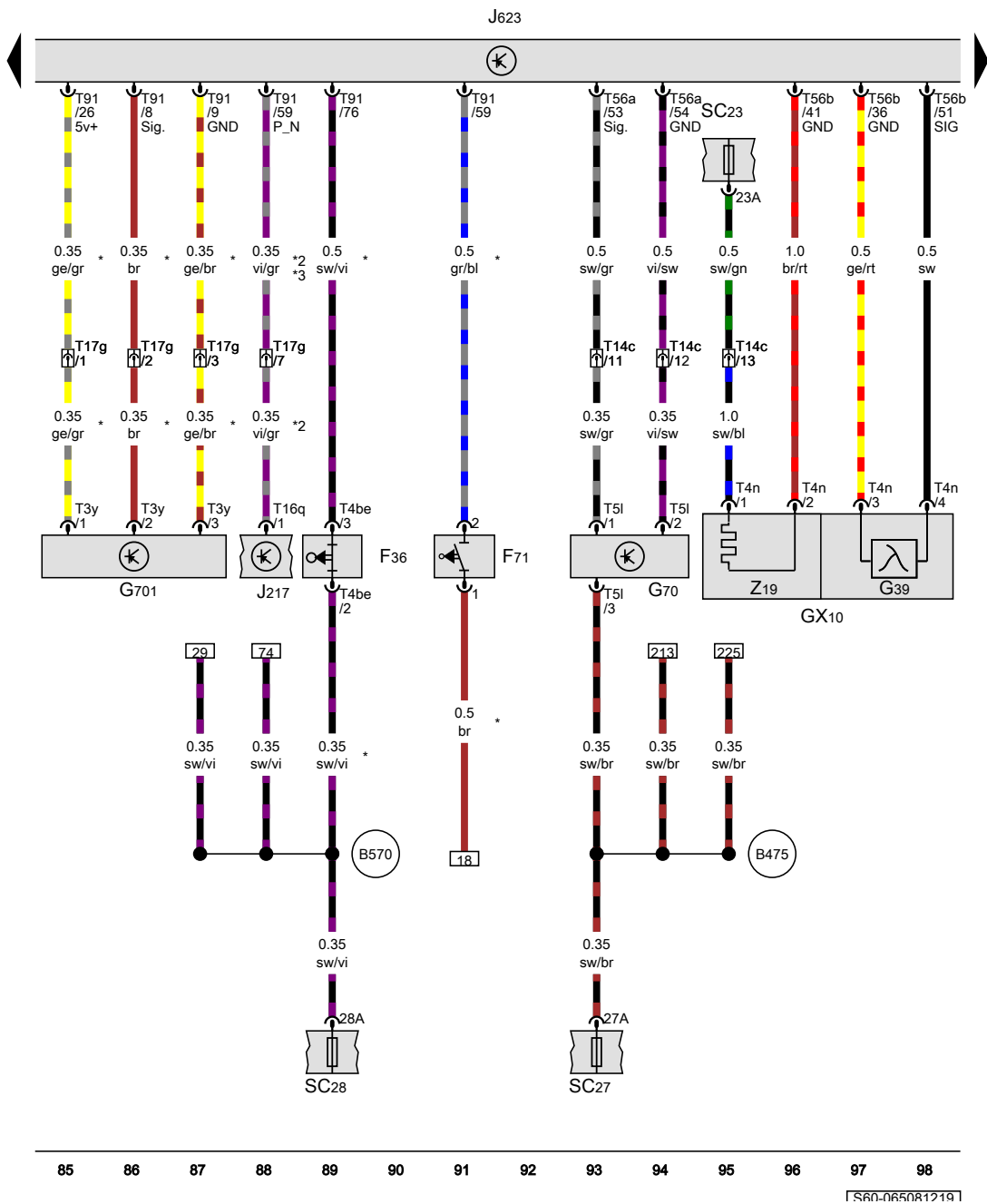


Cylinder 2 combustion chamber pressure sender,
Automatic glow period control unit, Engine/motor control
unit, Glow plug 1, Glow plug 2, Glow plug 3, Glow plug 4,
Glow plug 5, Glow plug 6

- G678 Cylinder 2 combustion chamber pressure sender
- J179 Automatic glow period control unit
- J623 Engine/motor control unit
- Q10 Glow plug 1
- Q11 Glow plug 2
- Q12 Glow plug 3
- Q13 Glow plug 4
- Q14 Glow plug 5
- Q15 Glow plug 6
- T4bm 4-pin connector, black
- T14c 14-pin connector, grey, near battery
- T56c 56-pin connector, black
- T91 91-pin connector, black

- ws = white
- sw = black
- ro = red
- rt = red
- br = brown
- gn = green
- bl = blue
- gr = grey
- li = purple
- vi = purple
- ge = yellow
- or = orange
- rs = pink

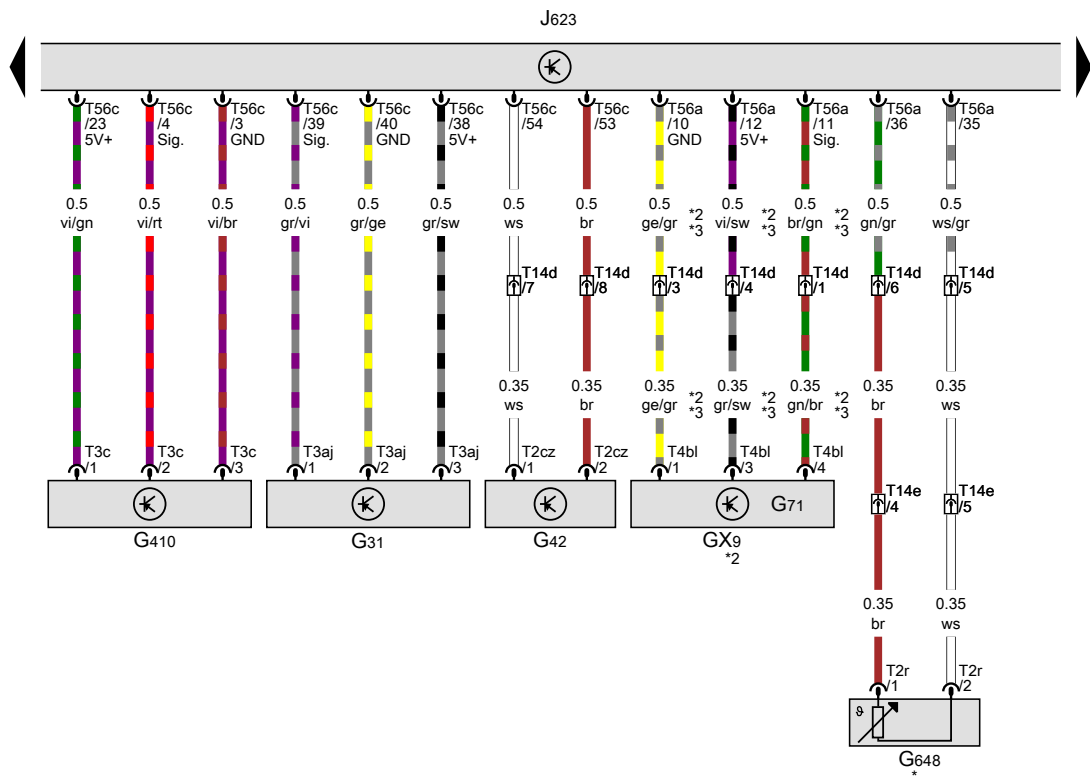
[S60-065071219]



Clutch pedal switch, Clutch pedal switch for stop/start system, Lambda probe 1 before catalytic converter, Lambda probe, Air mass meter, Gearbox neutral position sender, Automatic gearbox control unit, Engine/motor control unit, Fuse 23 on fuse holder C, Fuse 27 on fuse holder C, Fuse 28 on fuse holder C

- F36 Clutch pedal switch
 - F71 Clutch pedal switch for stop/start system
 - GX10 Lambda probe 1 before catalytic converter
 - G39 Lambda probe
 - G70 Air mass meter
 - G701 Gearbox neutral position sender
 - J217 Automatic gearbox control unit
 - J623 Engine/motor control unit
 - SC23 Fuse 23 on fuse holder C
 - SC27 Fuse 27 on fuse holder C
 - SC28 Fuse 28 on fuse holder C
 - T3y 3-pin connector, black
 - T4be 4-pin connector, black
 - T4n 4-pin connector, black
 - T51 5-pin connector, black
 - T14c 14-pin connector, grey, near battery
 - T16q 16-pin connector, black
 - T17g 17-pin connector, black, near handbrake lever
 - T56a 56-pin connector, black
 - T56b 56-pin connector, black
 - T91 91-pin connector, black
 - Z19 Lambda probe heater
- (B475) Connection 11, in main wiring harness
 - (B570) Connection 37, in main wiring harness
- * For models with manual gearbox
 - *2 For models with automatic gearbox
 - *3 According to equipment

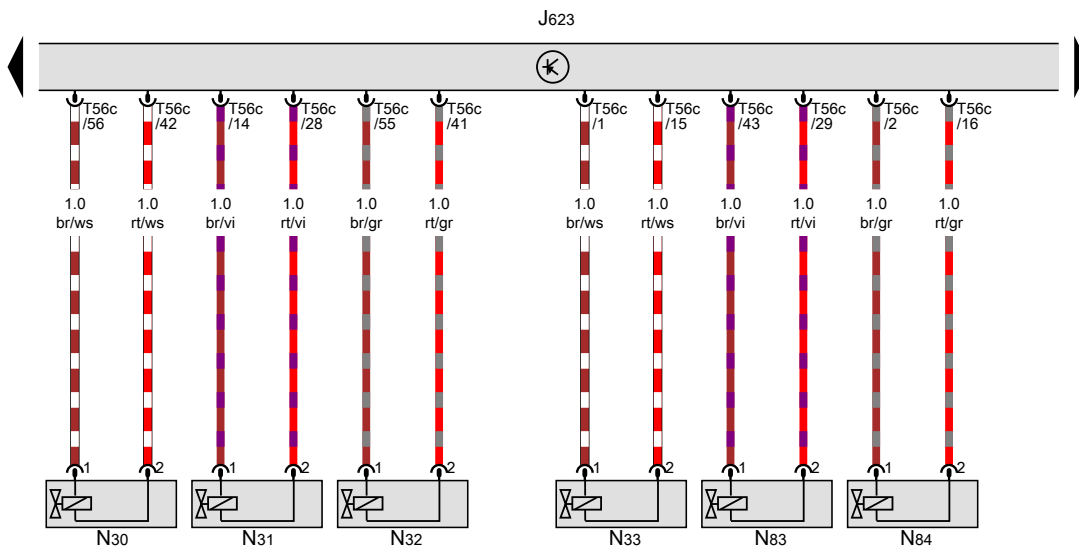
- ws = white
- sw = black
- ro = red
- rt = red
- br = brown
- gn = green
- bl = blue
- gr = grey
- li = purple
- vi = purple
- ge = yellow
- or = orange
- rs = pink



Intake manifold sender, Charge pressure sender, Intake air temperature sender, Intake manifold pressure sender, Fuel pressure sender for low pressure, Exhaust gas temperature sender 4, Engine/motor control unit

- GX9 Intake manifold sender
- G31 Charge pressure sender
- G42 Intake air temperature sender
- G71 Intake manifold pressure sender
- G410 Fuel pressure sender for low pressure
- G648 Exhaust gas temperature sender 4
- J623 Engine/motor control unit
- T2cz 2-pin connector, black
- T2r 2-pin connector, light brown
- T3aj 3-pin connector, black
- T3c 3-pin connector, black
- T4bl 4-pin connector, black
- T14d 14-pin connector, black, near battery
- T14e 14-pin connector, grey, near right headlight
- T56a 56-pin connector, black
- T56c 56-pin connector, black
- * Pre-wired component
- *2 For models with Euro 5 emission standard
- *3 For emission standard PL 6 BR

- ws = white
- sw = black
- ro = red
- rt = red
- br = brown
- gn = green
- bl = blue
- gr = grey
- li = purple
- vi = purple
- ge = yellow
- or = orange
- rs = pink



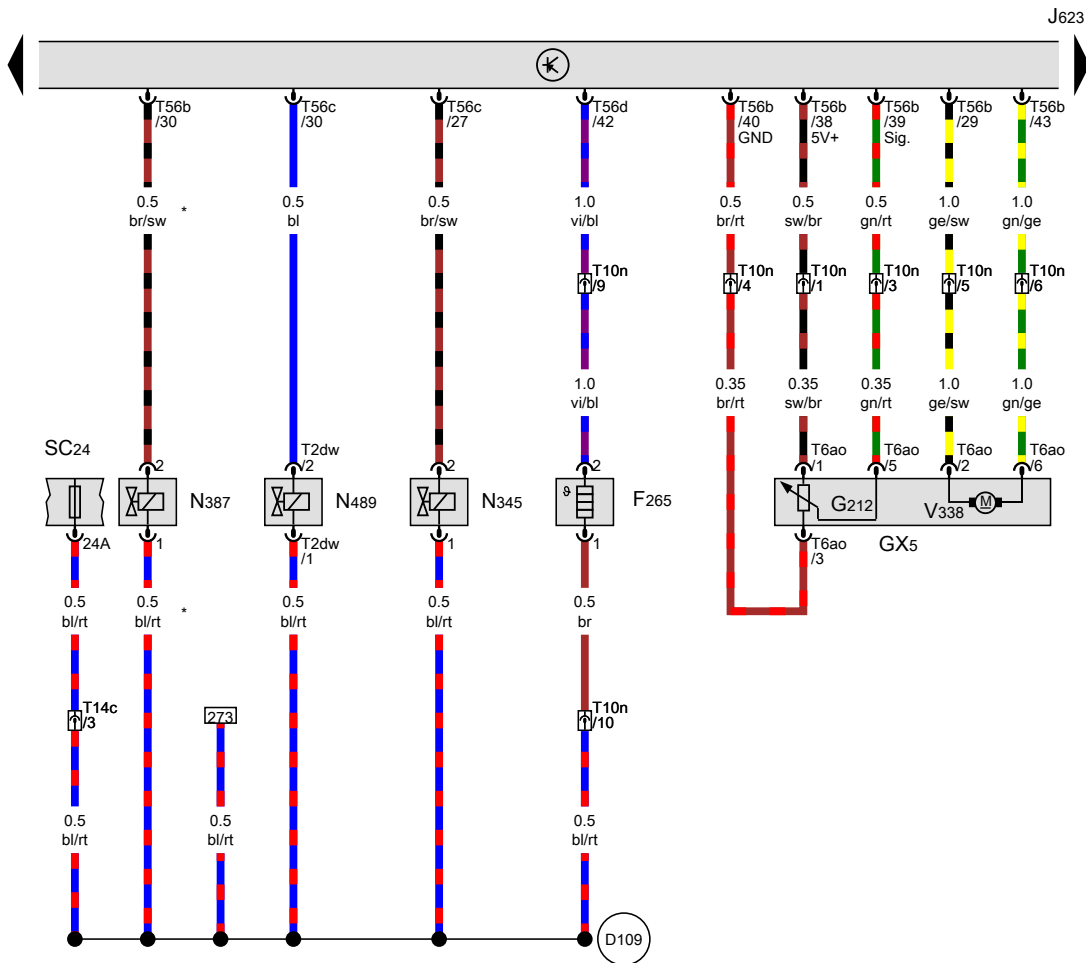
Engine/motor control unit, Injector, cylinder 1, Injector, cylinder 2, Injector, cylinder 3, Injector, cylinder 4, Injector, cylinder 5, Injector, cylinder 6

- J623 Engine/motor control unit
- N30 Injector, cylinder 1
- N31 Injector, cylinder 2
- N32 Injector, cylinder 3
- N33 Injector, cylinder 4
- N83 Injector, cylinder 5
- N84 Injector, cylinder 6
- T56c 56-pin connector, black

- ws = white
- sw = black
- ro = red
- rt = red
- br = brown
- gn = green
- bl = blue
- gr = grey
- li = purple
- vi = purple
- ge = yellow
- or = orange
- rs = pink

113 114 115 116 117 118 119 120 121 122 123 124 125 126

[S60-065101219]



Map-controlled engine cooling system thermostat, Exhaust gas recirculation valve 1, Engine/motor control unit, Exhaust gas recirculation cooler changeover valve, Exhaust gas recirculation cooling bypass valve 2, Coolant valve for cylinder head, Fuse 24 on fuse holder C

- F265 Map-controlled engine cooling system thermostat
- GX5 Exhaust gas recirculation valve 1
- G212 Exhaust gas recirculation potentiometer
- J623 Engine/motor control unit
- N345 Exhaust gas recirculation cooler changeover valve
- N387 Exhaust gas recirculation cooling bypass valve 2
- N489 Coolant valve for cylinder head
- SC24 Fuse 24 on fuse holder C
- T2dw 2-pin connector, grey
- T6ao 6-pin connector, grey
- T10n 10-pin connector, black
- T14c 14-pin connector, grey, near battery
- T56b 56-pin connector, black
- T56c 56-pin connector, black
- T56d 56-pin connector, black
- V338 Exhaust gas recirculation control motor

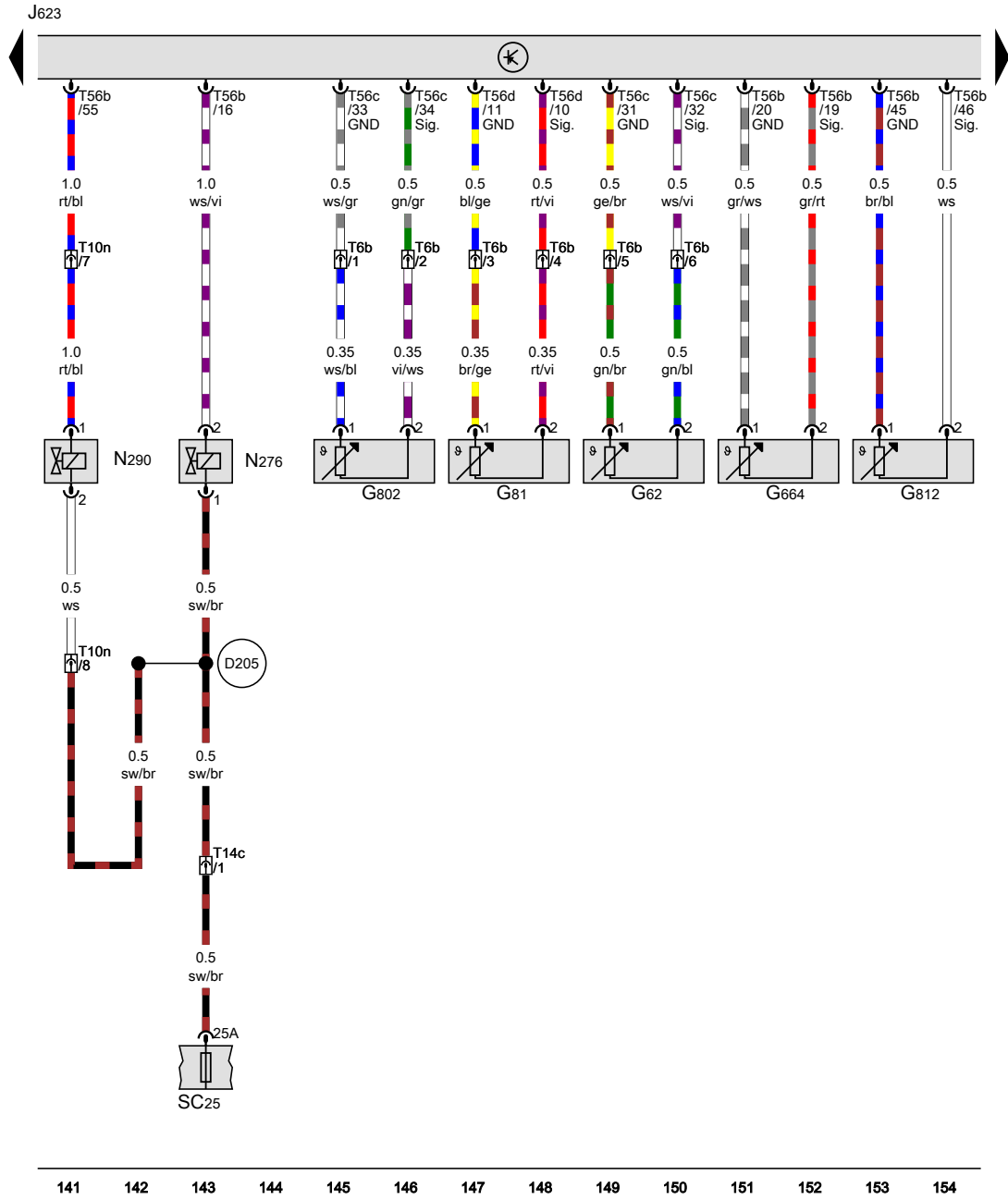
D109 Connection 7 in engine compartment wiring harness

* For emission standard PL 6 BR

- ws = white
- sw = black
- ro = red
- rt = red
- br = brown
- gn = green
- bl = blue
- gr = grey
- li = purple
- vi = purple
- ge = yellow
- or = orange
- rs = pink

127 128 129 130 131 132 133 134 135 136 137 138 139 140

[S60-065111219]



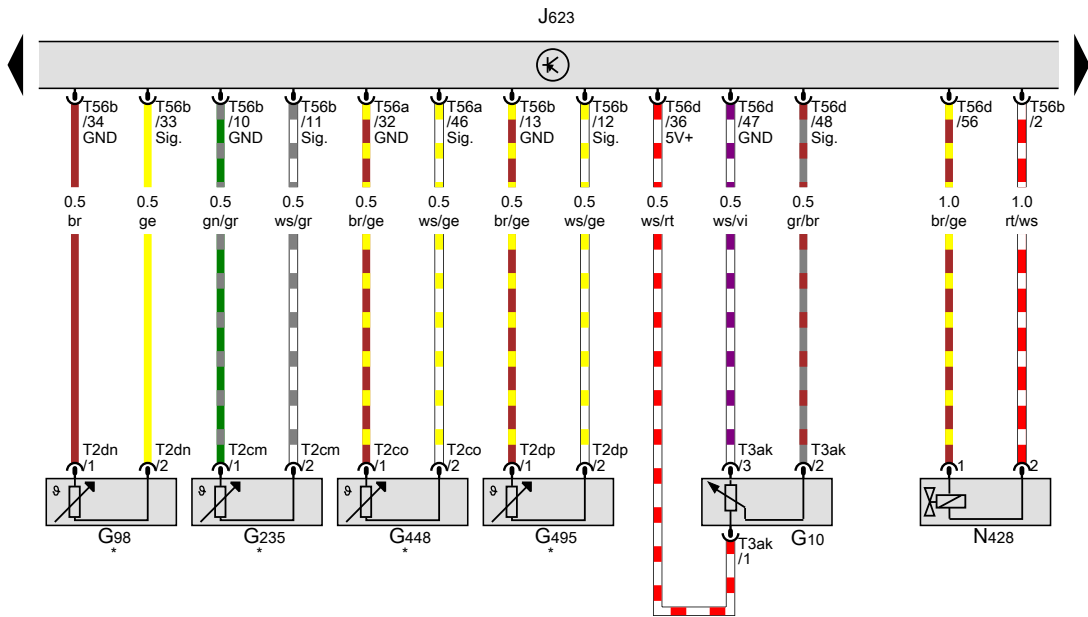
Coolant temperature sender, Fuel temperature sender, Oil temperature sender 2, Coolant temperature sender 2, Coolant temperature sender 3, Engine/motor control unit, Fuel pressure regulating valve, Fuel metering valve, Fuse 25 on fuse holder C

- G62 Coolant temperature sender
- G81 Fuel temperature sender
- G664 Oil temperature sender 2
- G802 Coolant temperature sender 2
- G812 Coolant temperature sender 3
- J623 Engine/motor control unit
- N276 Fuel pressure regulating valve
- N290 Fuel metering valve
- SC25 Fuse 25 on fuse holder C
- T6b 6-pin connector, black
- T10n 10-pin connector, black
- T14c 14-pin connector, grey, near battery
- T56b 56-pin connector, black
- T56c 56-pin connector, black
- T56d 56-pin connector, black
- D205 Connection 3 (87a) in engine prewiring harness

- ws = white
- sw = black
- ro = red
- rt = red
- br = brown
- gn = green
- bl = blue
- gr = grey
- li = purple
- vi = purple
- ge = yellow
- or = orange
- rs = pink

141 142 143 144 145 146 147 148 149 150 151 152 153 154

1560-065121219



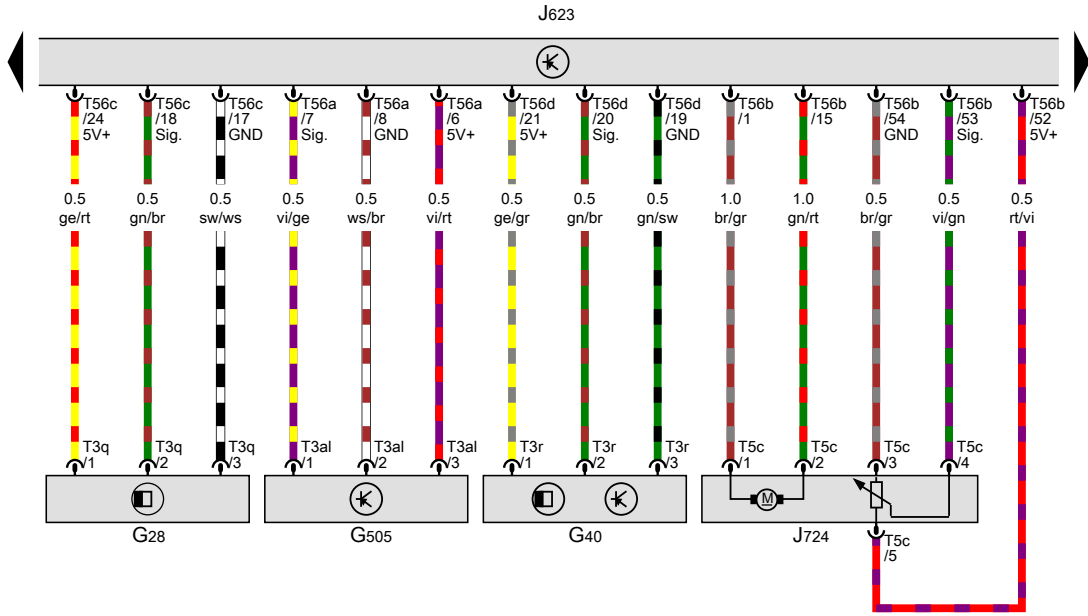
Oil pressure sender, Exhaust gas recirculation temperature sensor, Exhaust gas temperature sender 1, Exhaust gas temperature sender 2, Exhaust gas temperature sender 3, Engine/motor control unit, Valve for oil pressure control

- G10 Oil pressure sender
- G98 Exhaust gas recirculation temperature sensor
- G235 Exhaust gas temperature sender 1
- G448 Exhaust gas temperature sender 2
- G495 Exhaust gas temperature sender 3
- J623 Engine/motor control unit
- N428 Valve for oil pressure control
- T2cm 2-pin connector, black
- T2co 2-pin connector, black
- T2dn 2-pin connector, light brown
- T2dp 2-pin connector, brown
- T3ak 3-pin connector, black
- T56a 56-pin connector, black
- T56b 56-pin connector, black
- T56d 56-pin connector, black
- * Pre-wired component

- ws = white
- sw = black
- ro = red
- rt = red
- br = brown
- gn = green
- bl = blue
- gr = grey
- li = purple
- vi = purple
- ge = yellow
- or = orange
- rs = pink

155 156 157 158 159 160 161 162 163 164 165 166 167 168

[S60-065131219]



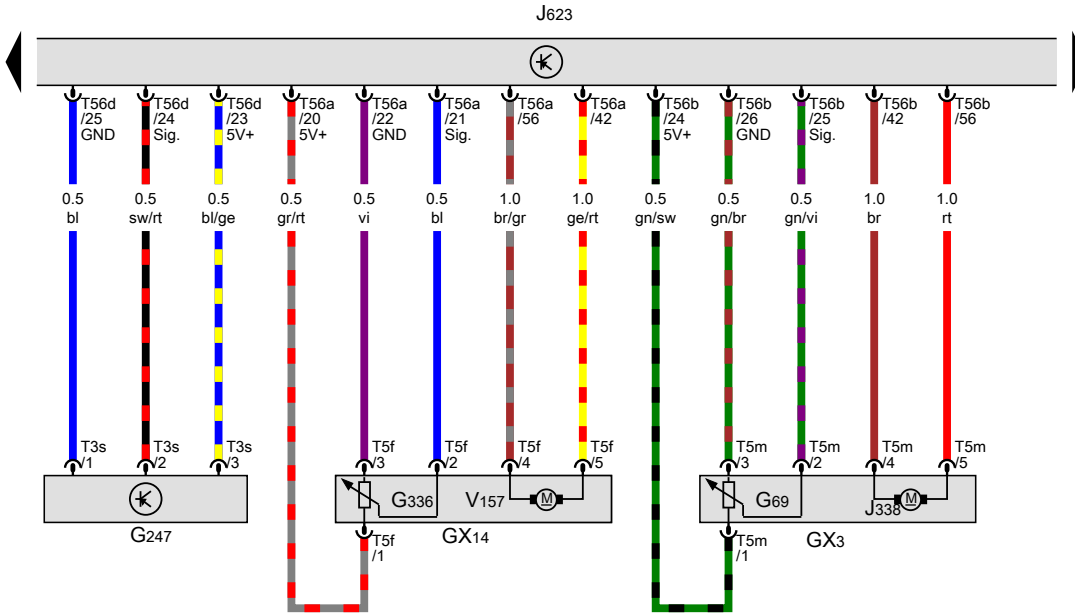
Engine speed sender, Hall sender, Pressure differential sender, Engine/motor control unit, Turbocharger 1 control unit

- G28 Engine speed sender
- G40 Hall sender
- G505 Pressure differential sender
- J623 Engine/motor control unit
- J724 Turbocharger 1 control unit
- T3al 3-pin connector, black
- T3q 3-pin connector, black
- T3r 3-pin connector, black
- T5c 5-pin connector, black
- T56a 56-pin connector, black
- T56b 56-pin connector, black
- T56c 56-pin connector, black
- T56d 56-pin connector, black

- ws = white
- sw = black
- ro = red
- rt = red
- br = brown
- gn = green
- bl = blue
- gr = grey
- li = purple
- vi = purple
- ge = yellow
- or = orange
- rs = pink

169 170 171 172 173 174 175 176 177 178 179 180 181 182

[S60-065141219]



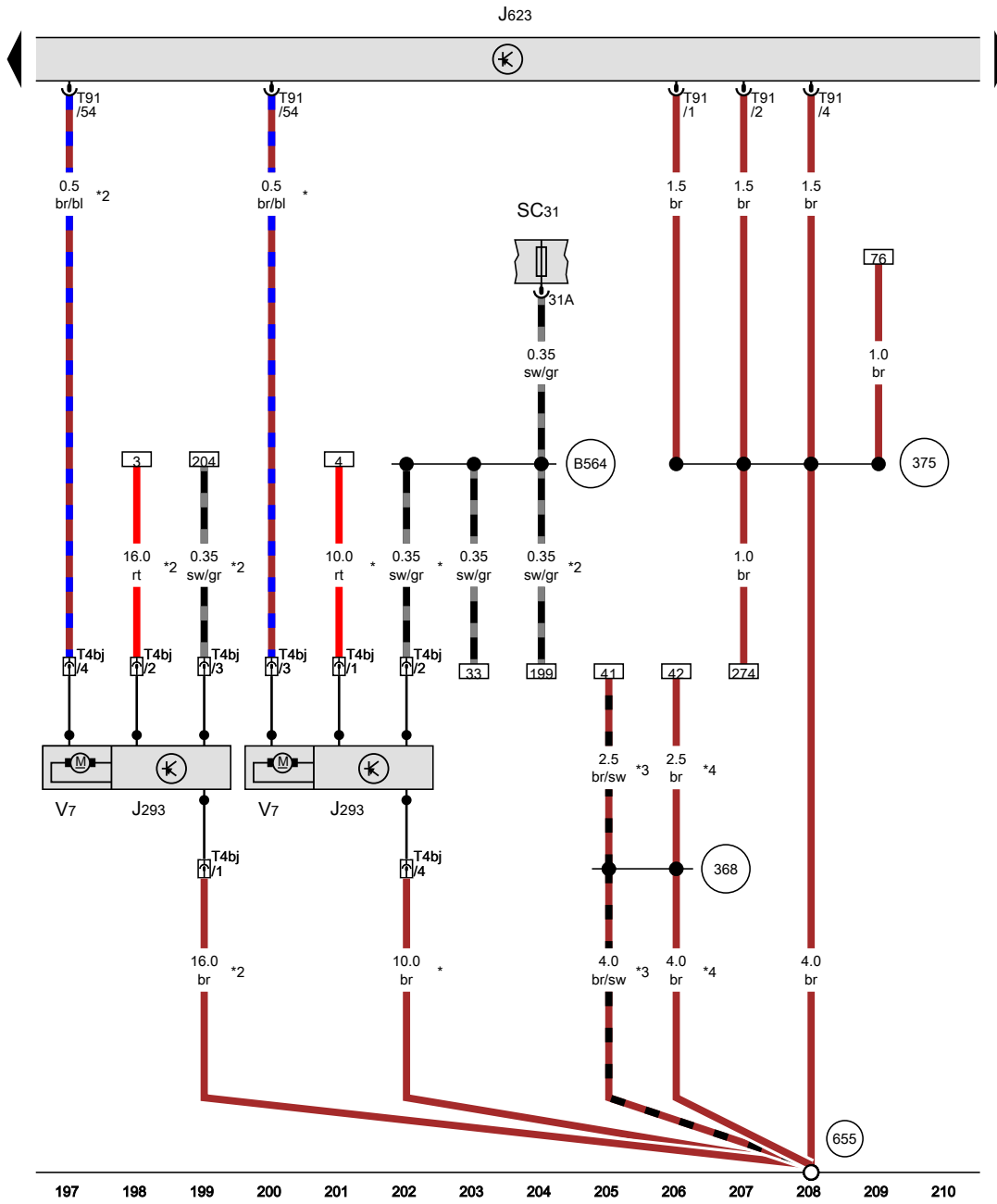
Throttle valve module, Intake manifold flap control unit, Fuel pressure sender, Engine/motor control unit

- GX3 Throttle valve module
- GX14 Intake manifold flap control unit
- G69 Throttle valve potentiometer
- G247 Fuel pressure sender
- G336 Intake manifold flap potentiometer
- J338 Throttle valve module
- J623 Engine/motor control unit
- T3s 3-pin connector, black
- T5f 5-pin connector, black
- T5m 5-pin connector, black
- T56a 56-pin connector, black
- T56b 56-pin connector, black
- T56d 56-pin connector, black
- V157 Intake manifold flap motor

- ws = white
- sw = black
- ro = red
- rt = red
- br = brown
- gn = green
- bl = blue
- gr = grey
- li = purple
- vi = purple
- ge = yellow
- or = orange
- rs = pink

183 184 185 186 187 188 189 190 191 192 193 194 195 196

[S60-065151219]



Radiator fan control unit, Engine/motor control unit, Fuse 31 on fuse holder C, Radiator fan

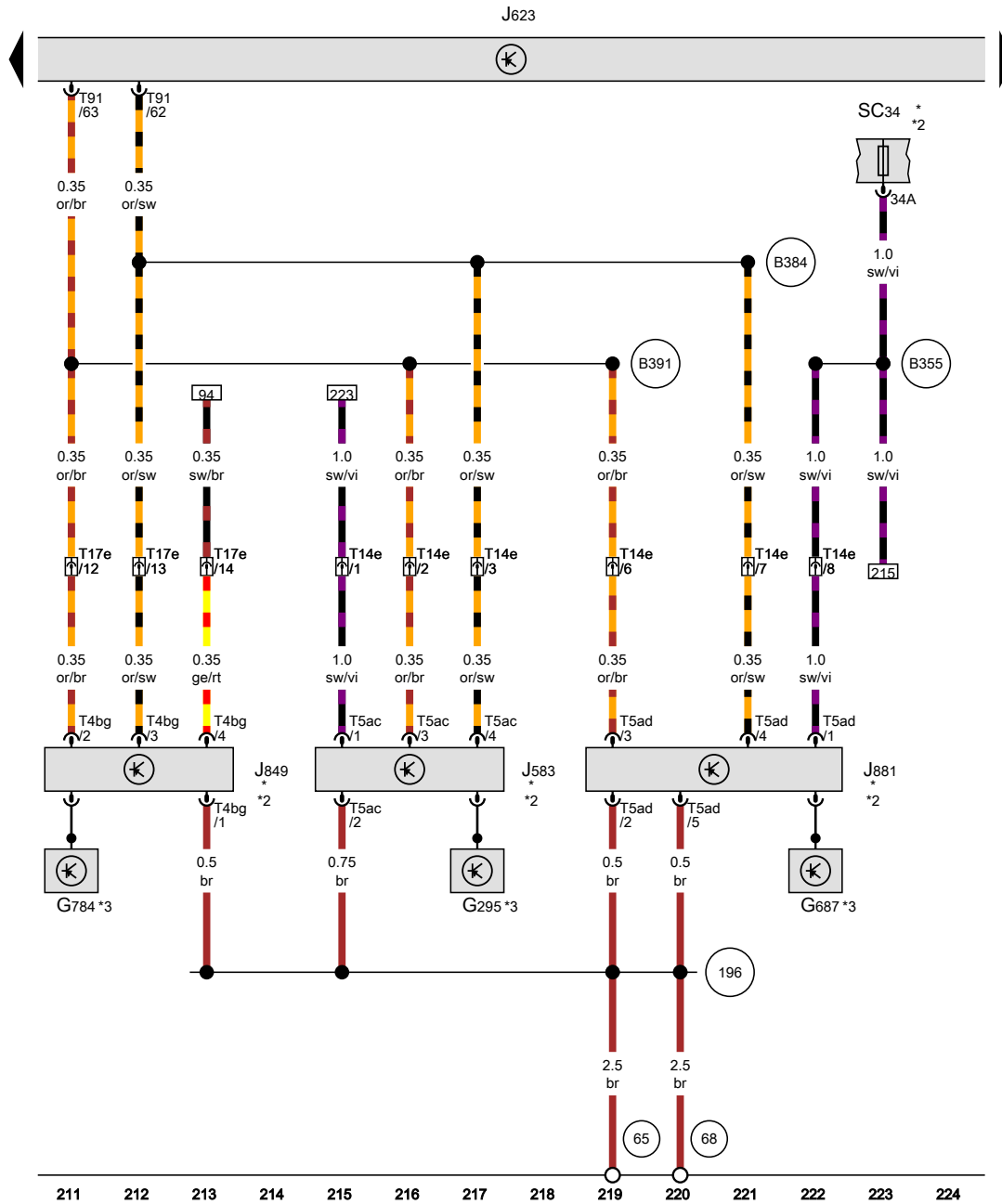
- J293 Radiator fan control unit
- J623 Engine/motor control unit
- SC31 Fuse 31 on fuse holder C
- T4bj 4-pin connector, black, on radiator cowling
- T91 91-pin connector, black
- V7 Radiator fan

- 368 Earth connection 3, in main wiring harness
- 375 Earth connection 10, in main wiring harness
- 655 Earth point, on left headlight
- B564 Connection 31, in main wiring harness

- * For models with low fan output
- *2 For models with increased fan output
- *3 For left-hand drive models
- *4 For right-hand drive models

- ws = white
- sw = black
- ro = red
- rt = red
- br = brown
- gn = green
- bl = blue
- gr = grey
- li = purple
- vi = purple
- ge = yellow
- or = orange
- rs = pink

[S60-065161219]



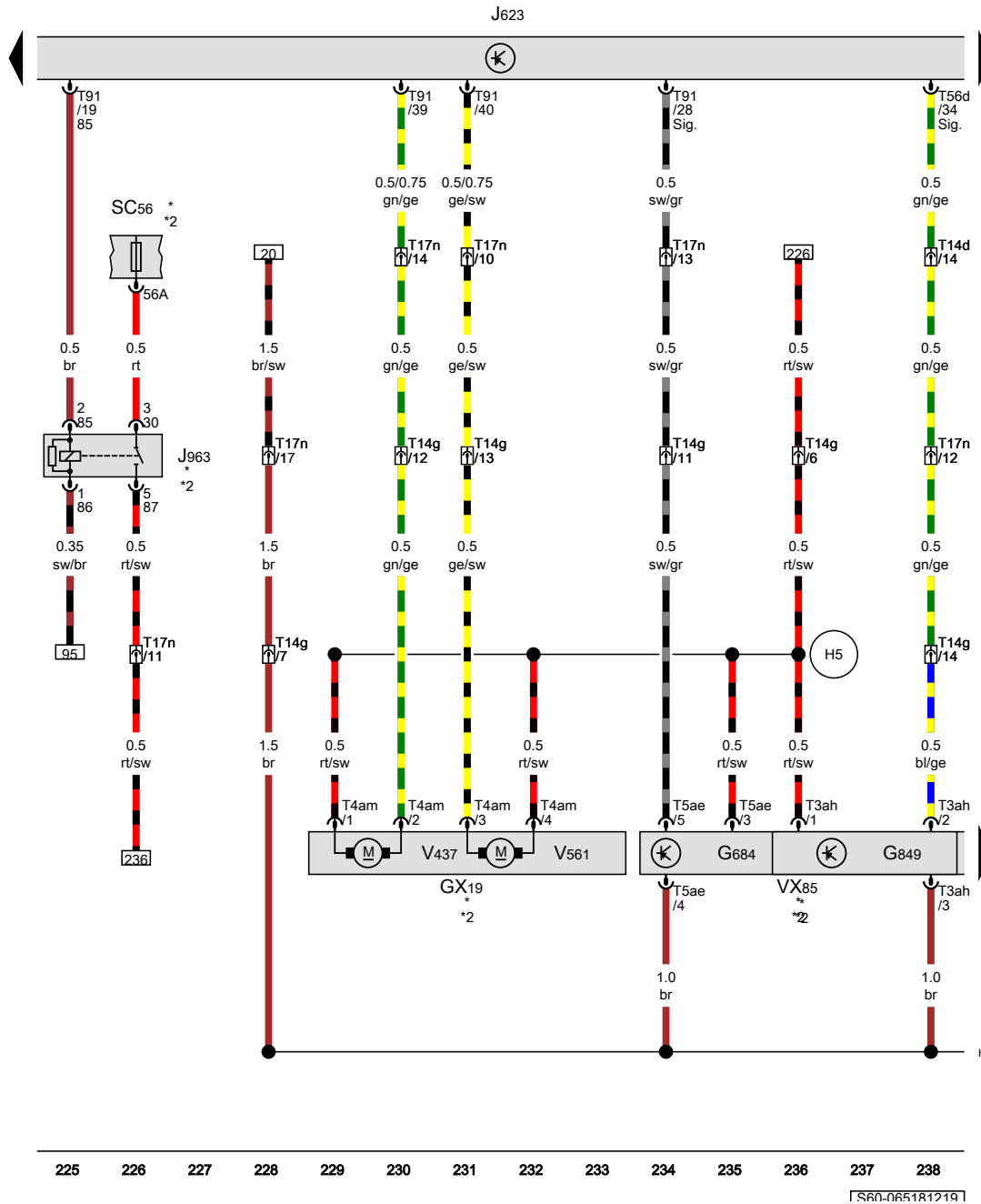
NOx sender, NOx sender 2, Particulate sensor, Engine/motor control unit, Fuse 34 on fuse holder C

- G295 NOx sender
- G687 NOx sender 2
- G784 Particulate sensor
- J583 Control unit for NOx sender
- J623 Engine/motor control unit
- J849 Control unit for sensor electronics
- J881 Control unit for NOx sender 2
- SC34 Fuse 34 on fuse holder C
- T4bg 4-pin connector, black
- T5ac 5-pin connector, black
- T5ad 5-pin connector, black
- T14e 14-pin connector, grey, near right headlight
- T17e 17-pin connector, red, near handbrake lever
- T91 91-pin connector, black

- (65) Earth point, on rear of left longitudinal member
- (68) Earth point, on left of rear cross member
- (196) Earth connection 3, in rear wiring harness
- (B355) Positive connection 6 (87a) in main wiring harness
- (B384) Connection 2 (powertrain CAN bus, high), in main wiring harness
- (B391) Connection 2 (powertrain CAN bus, low), in main wiring harness
- * For models with Euro 6 emission standard
- *2 Not for models with equipment for Brazil
- *3 Pre-wired component

- ws = white
- sw = black
- ro = red
- rt = red
- br = brown
- gn = green
- bl = blue
- gr = grey
- li = purple
- vi = purple
- ge = yellow
- or = orange
- rs = pink

TS60-065171219

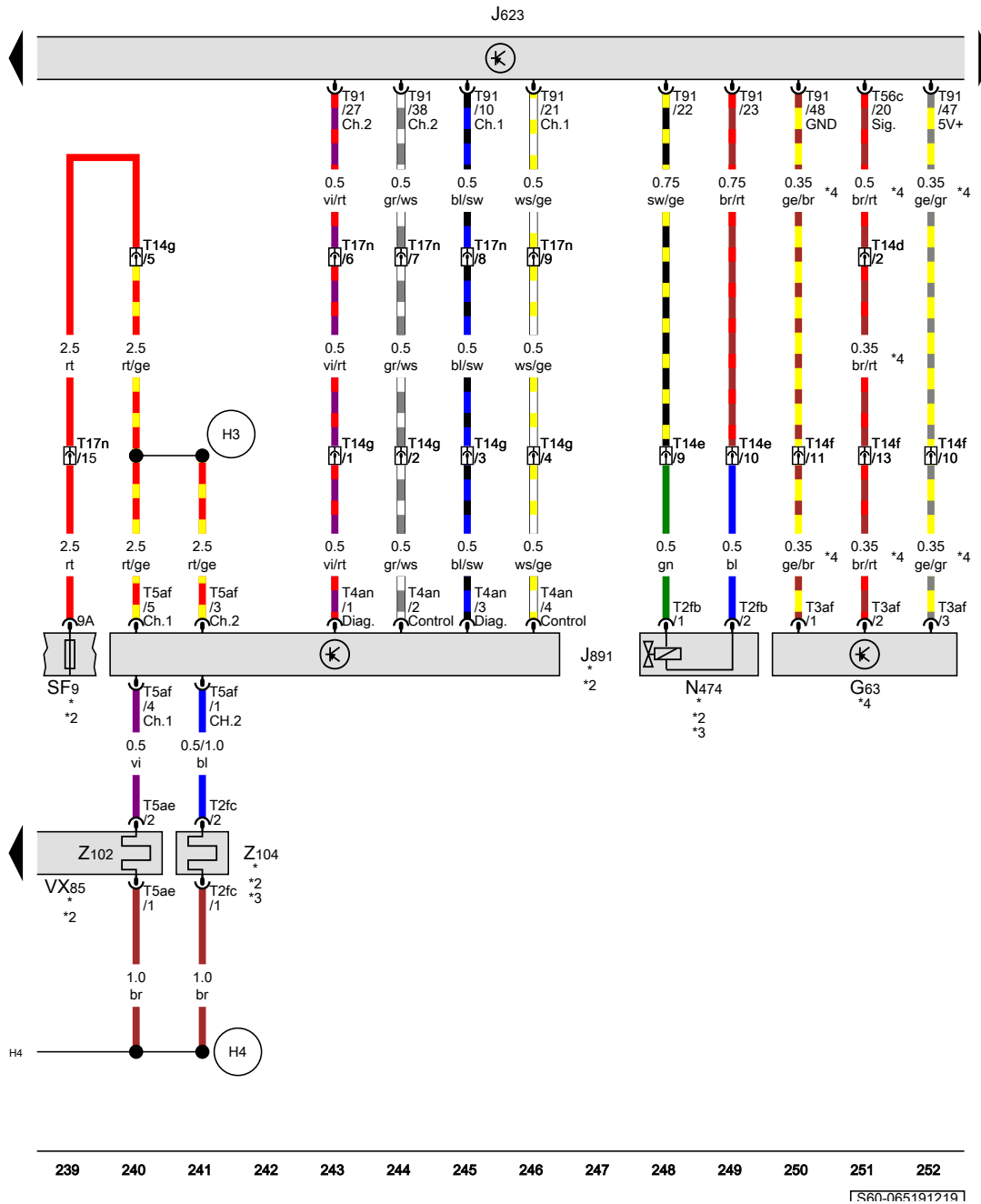


Delivery unit for reducing agent metering system, Engine/motor control unit, Relay for reducing agent metering system, Fuse 56 on fuse holder C, Reducing agent tank

- GX19 Delivery unit for reducing agent metering system, on reducing-agent tank
 - G684 Tank sender for reducing agent, in reducing agent tank
 - G849 Reducing agent quality sensor, in reducing agent tank
 - J623 Engine/motor control unit
 - J963 Relay for reducing agent metering system
 - SC56 Fuse 56 on fuse holder C
 - T3ah 3-pin connector, black
 - T4am 4-pin connector, black
 - T5ae 5-pin connector, black
 - T14d 14-pin connector, black, near battery
 - T14g 14-pin connector, grey, rear
 - T17n 17-pin connector, green, near handbrake lever
 - T56d 56-pin connector, black
 - VX85 Reducing agent tank
 - V437 Pump for reducing agent, on reducing-agent tank
 - V561 Reducing agent return flow pump, on reducing-agent tank
- H4 Connection 2 in wiring harness for reducing agent tank
- H5 Connection 3 in wiring harness for reducing agent tank
- * For models with Euro 6 emission standard
- *2 Not for models with equipment for Brazil

- ws = white
- sw = black
- ro = red
- rt = red
- br = brown
- gn = green
- bl = blue
- gr = grey
- li = purple
- vi = purple
- ge = yellow
- or = orange
- rs = pink

[S60-065181219]



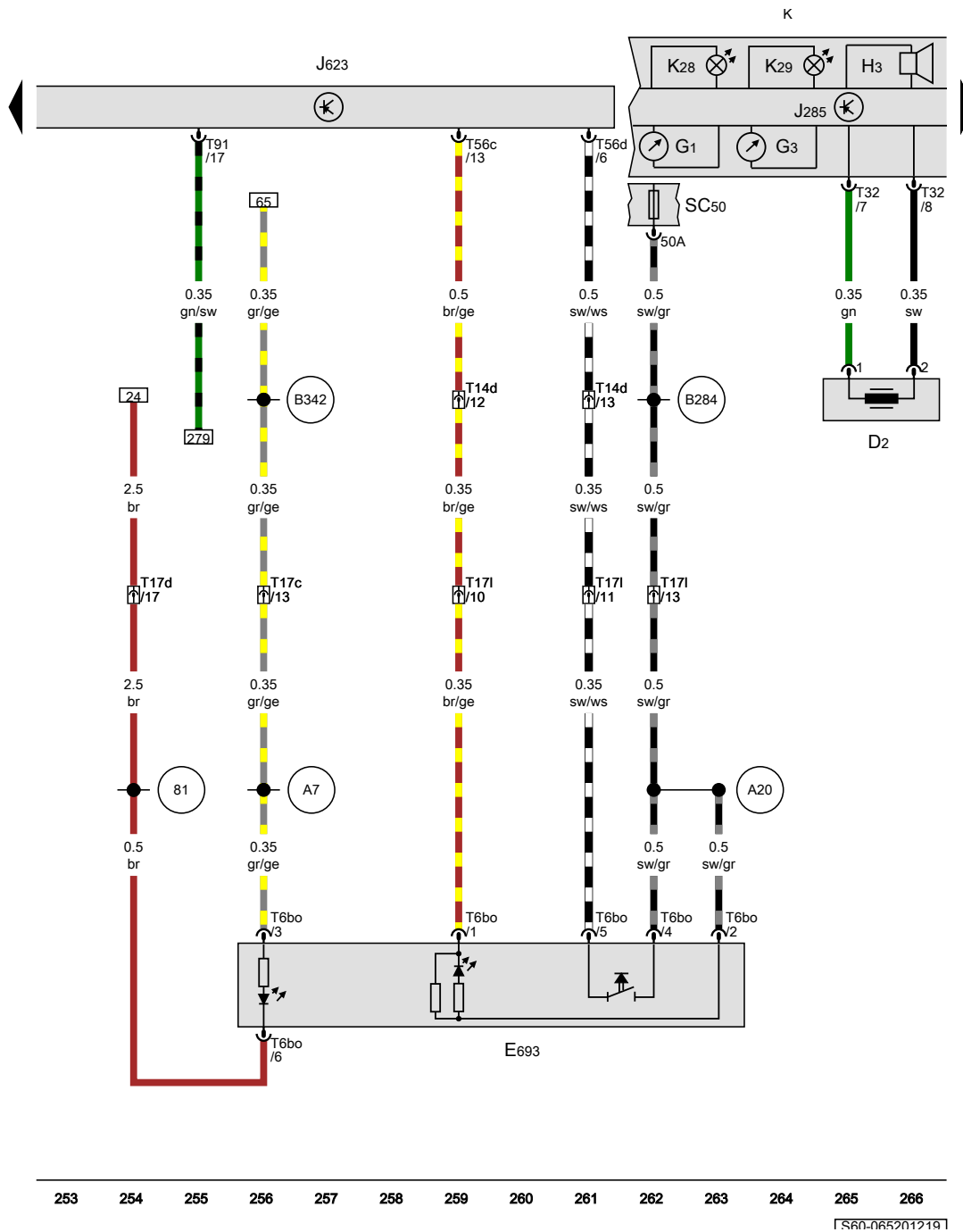
Water separator sender, Engine/motor control unit, Control unit for reducing agent heater, Injector for reducing agent, Fuse 9 in fuse holder F, Reducing agent tank, Heater for reducing agent line (heater circuit 2)

- G63 Water separator sender
- J623 Engine/motor control unit
- J891 Control unit for reducing agent heater
- N474 Injector for reducing agent
- SF9 Fuse 9 in fuse holder F
- T2fb 2-pin connector, black
- T2fc 2-pin connector, black
- T3af 3-pin connector, brown
- T4an 4-pin connector, black
- T5ae 5-pin connector, black
- T5af 5-pin connector, colourless
- T14d 14-pin connector, black, near battery
- T14e 14-pin connector, grey, near right headlight
- T14f 14-pin connector, black, near right headlight
- T14g 14-pin connector, grey, rear
- T17n 17-pin connector, green, near handbrake lever
- T56c 56-pin connector, black
- T91 91-pin connector, black
- VX85 Reducing agent tank
- Z102 Heater for reducing agent tank (heater circuit 1), in reducing agent tank
- Z104 Heater for reducing agent line (heater circuit 2)

- H3** Connection 1 in wiring harness for reducing agent tank
- H4** Connection 2 in wiring harness for reducing agent tank

- * For models with Euro 6 emission standard
- *2 Not for models with equipment for Brazil
- *3 Pre-wired component
- *4 Country specific

- ws = white
- sw = black
- ro = red
- rt = red
- br = brown
- gn = green
- bl = blue
- gr = grey
- li = purple
- vi = purple
- ge = yellow
- or = orange
- rs = pink



Start/Stop operation button, Engine/motor control unit, Dash panel insert, Fuse 50 on fuse holder C

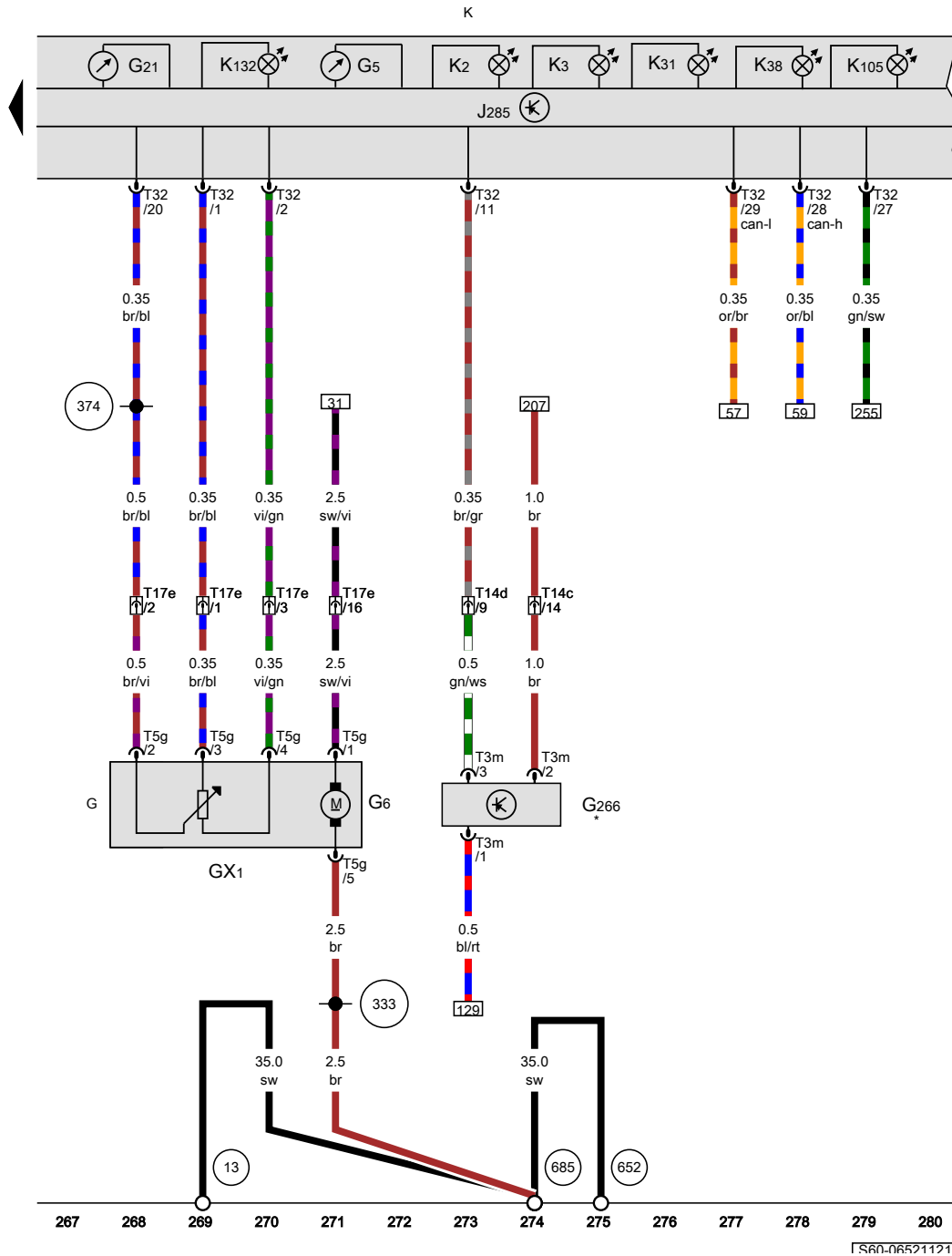
- D2 Immobiliser reader coil
- E693 Start/Stop operation button
- G1 Fuel gauge
- G3 Coolant temperature gauge
- H3 Buzzer and gong
- J285 Control unit in dash panel insert
- J623 Engine/motor control unit
- K Dash panel insert
- K28 Coolant temperature and coolant shortage warning lamp
- K29 Glow period warning lamp
- SC50 Fuse 50 on fuse holder C
- T6bo 6-pin connector, grey
- T14d 14-pin connector, black, near battery
- T17c 17-pin connector, white, behind dash panel
- T17d 17-pin connector, green, behind dash panel
- T17l 17-pin connector, brown, behind dash panel
- T32 32-pin connector, blue
- T56c 56-pin connector, black
- T56d 56-pin connector, black
- T91 91-pin connector, black

- 81 Earth connection 1, in dash panel wiring harness
- A7 Positive connection (58 D1), in dash panel wiring harness
- A20 Positive connection (15a), in dash panel wiring harness
- B284 Positive connection 8 (15a) in main wiring harness
- B342 Connection 3 (58d), in main wiring harness

- ws = white
- sw = black
- ro = red
- rt = red
- br = brown
- gn = green
- bl = blue
- gr = grey
- li = purple
- vi = purple
- ge = yellow
- or = orange
- rs = pink

253 254 255 256 257 258 259 260 261 262 263 264 265 266

[S60-065201219]



Fuel system pressurisation pump, Oil level and oil temperature sender, Dash panel insert

- G Fuel gauge sender
- GX1 Fuel delivery unit
- G5 Rev. counter
- G6 Fuel system pressurisation pump
- G21 Speedometer
- G266 Oil level and oil temperature sender
- J285 Control unit in dash panel insert
- K Dash panel insert
- K2 Alternator warning lamp
- K3 Oil pressure warning lamp
- K31 Cruise control system warning lamp
- K38 Oil level warning lamp
- K105 Reserve fuel warning lamp
- K132 Electronic power control fault lamp
- T3m 3-pin connector, black
- T5g 5-pin connector, black
- T14c 14-pin connector, grey, near battery
- T14d 14-pin connector, black, near battery
- T17e 17-pin connector, red, near handbrake lever
- T32 32-pin connector, blue

- 13 Earth point, on right in engine compartment
- 333 Earth connection 5, in rear wiring harness
- 374 Earth connection 9, in main wiring harness
- 652 Earth point, engine and gearbox earth
- 685 Earth point 1, on front of right longitudinal member

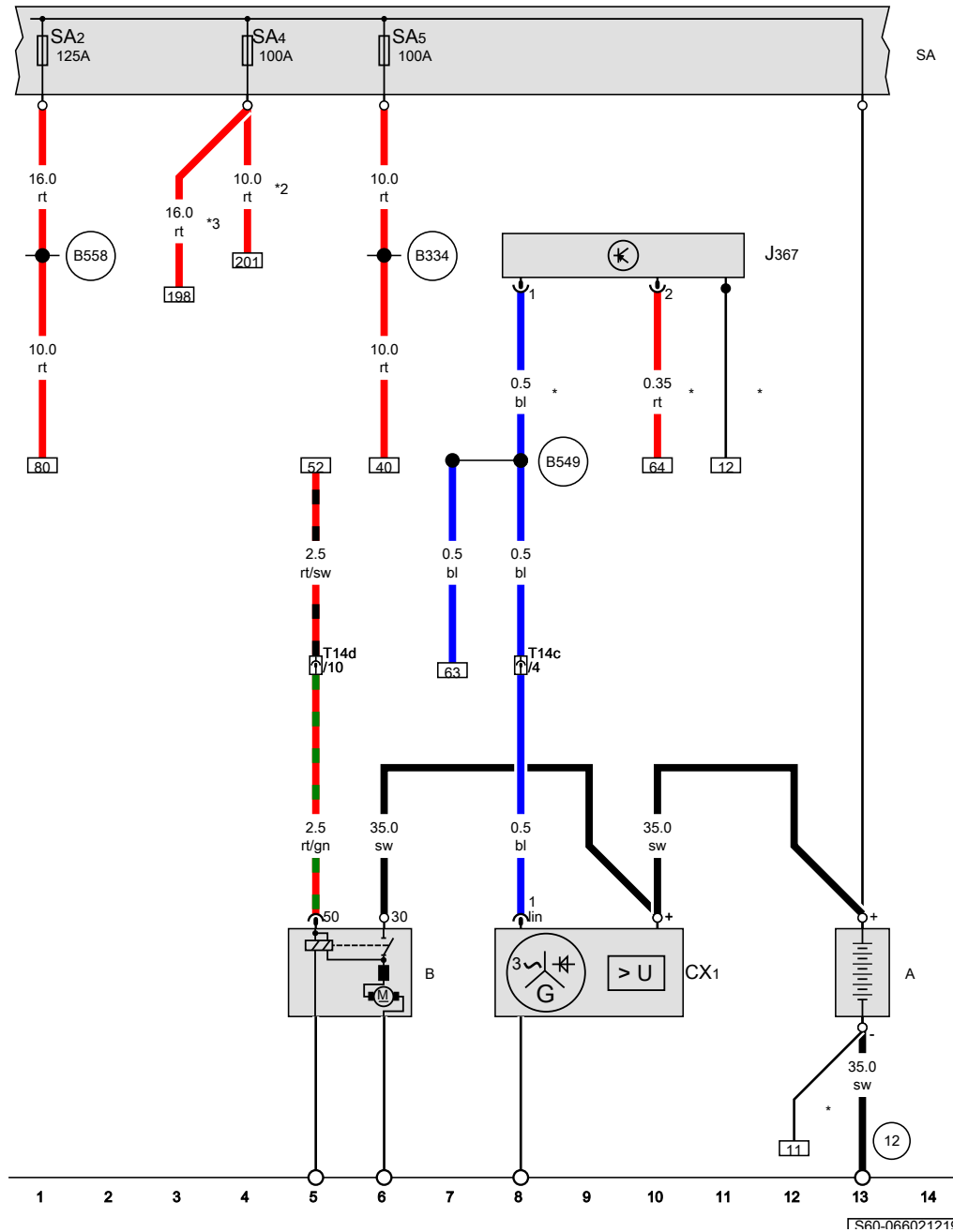
* According to equipment

- ws = white
- sw = black
- ro = red
- rt = red
- br = brown
- gn = green
- bl = blue
- gr = grey
- li = purple
- vi = purple
- ge = yellow
- or = orange
- rs = pink

[S60-065211219]

3.0l diesel engine , DDXA,DDXB,DDXC,DDXD,DDXE,(7CN)

From August 2018



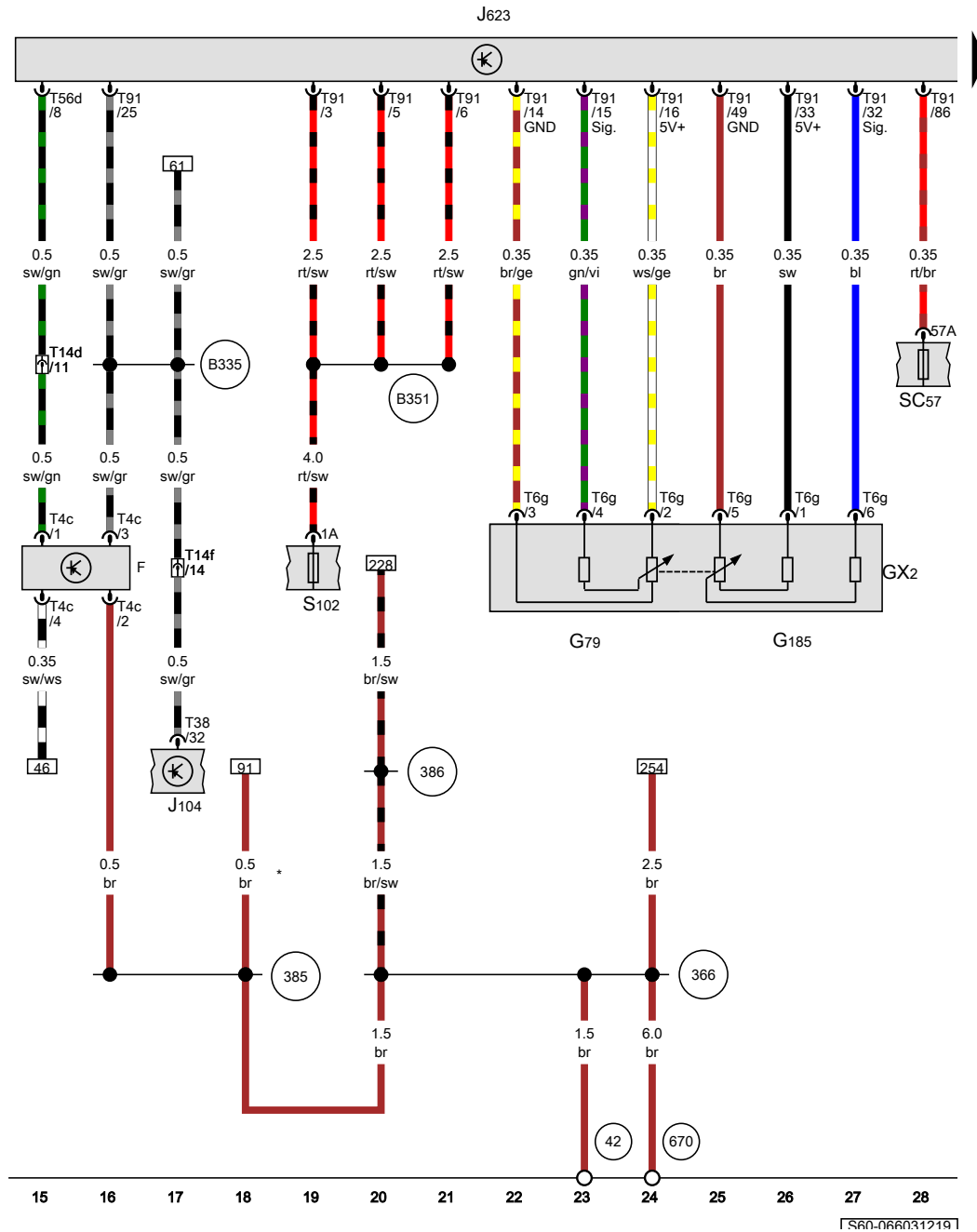
Battery, Starter, Alternator with voltage regulator, Battery monitor control unit, Fuse holder A

- A Battery
- B Starter
- CX1 Alternator with voltage regulator
- J367 Battery monitor control unit
- SA Fuse holder A
- SA2 Fuse 2 on fuse holder A
- SA4 Fuse 4 on fuse holder A
- SA5 Fuse 5 on fuse holder A
- T14c 14-pin connector, grey, near battery
- T14d 14-pin connector, black, near battery

- 12 Earth point, on left in engine compartment
- B334 Positive connection 20 (30a) in main wiring harness
- B549 Connection 2 (LIN bus) in main wiring harness
- B558 Positive connection 22 (30a) in main wiring harness
- * For models with start/stop system
- *2 For models with low fan output
- *3 For models with increased fan output

- ws = white
- sw = black
- ro = red
- rt = red
- br = brown
- gn = green
- bl = blue
- gr = grey
- li = purple
- vi = purple
- ge = yellow
- or = orange
- rs = pink

[S60-066021219]

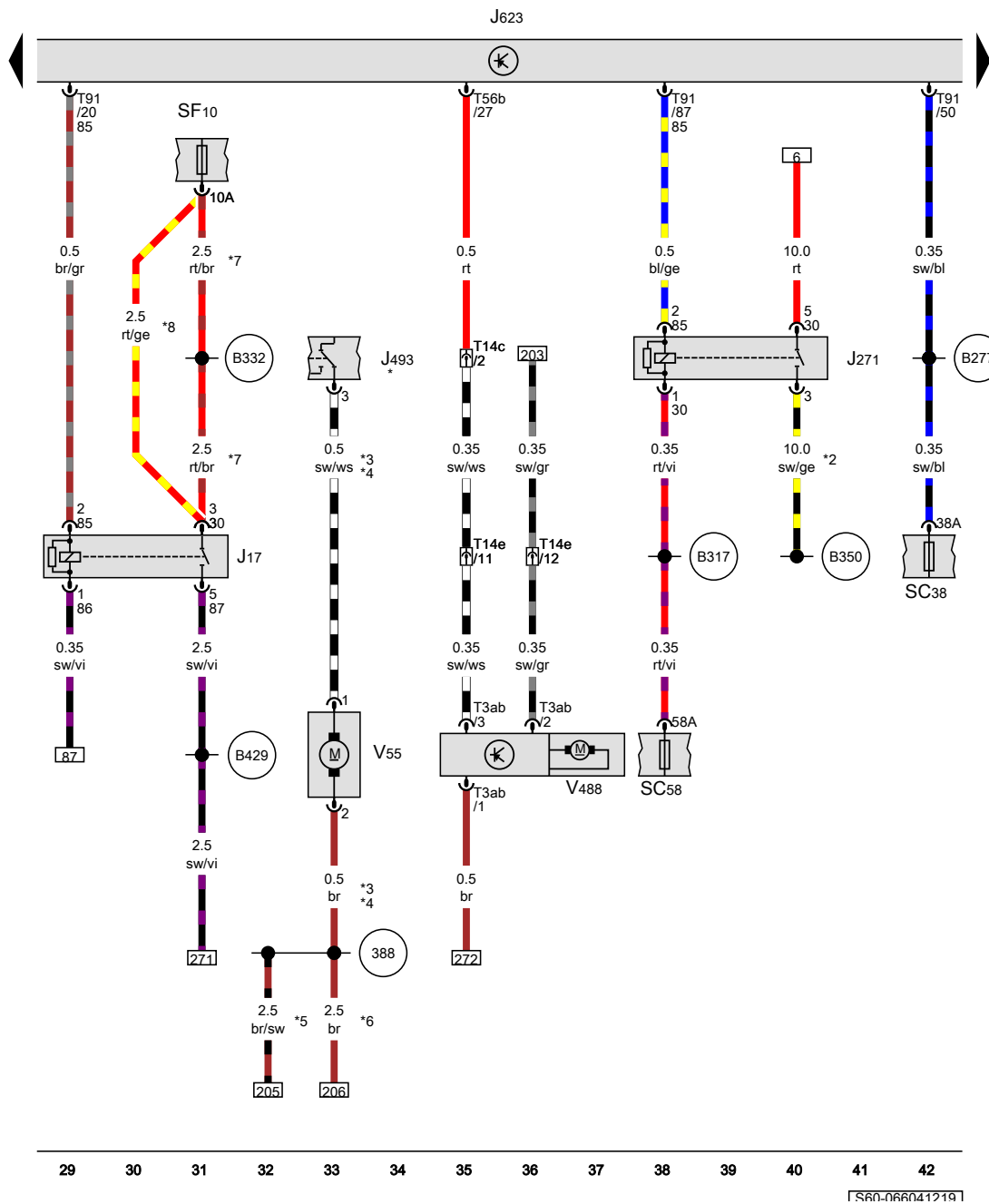


Brake light switch, Accelerator pedal module, Accelerator position sender, Accelerator position sender 2, ABS control unit, Engine/motor control unit, Fuse 57 on fuse holder C, Engine/motor control unit fuse

- F Brake light switch
 - GX2 Accelerator pedal module
 - G79 Accelerator position sender
 - G185 Accelerator position sender 2
 - J104 ABS control unit
 - J623 Engine/motor control unit
 - SC57 Fuse 57 on fuse holder C
 - S102 Engine/motor control unit fuse
 - T4c 4-pin connector, black
 - T6g 6-pin connector, black
 - T14d 14-pin connector, black, near battery
 - T14f 14-pin connector, black, near right headlight
 - T38 38-pin connector, black
 - T56d 56-pin connector, black
 - T91 91-pin connector, black
- 42 Earth point, next to steering column
 - 366 Earth connection 1, in main wiring harness
 - 385 Earth connection 20, in main wiring harness
 - 386 Earth connection 21, in main wiring harness
 - 670 Earth point 2, left A-pillar
 - B335 Connection 1 (54), in main wiring harness
 - B351 Positive connection 2 (87a) in main wiring harness

* For models with manual gearbox

- ws = white
- sw = black
- ro = red
- rt = red
- br = brown
- gn = green
- bl = blue
- gr = grey
- li = purple
- vi = purple
- ge = yellow
- or = orange
- rs = pink



Fuel pump relay, Main relay, Auxiliary coolant heater relay, Engine/motor control unit, Fuse 10 in fuse holder F, Fuse 38 on fuse holder C, Fuse 58 on fuse holder C, Circulation pump, Auxiliary pump for heating

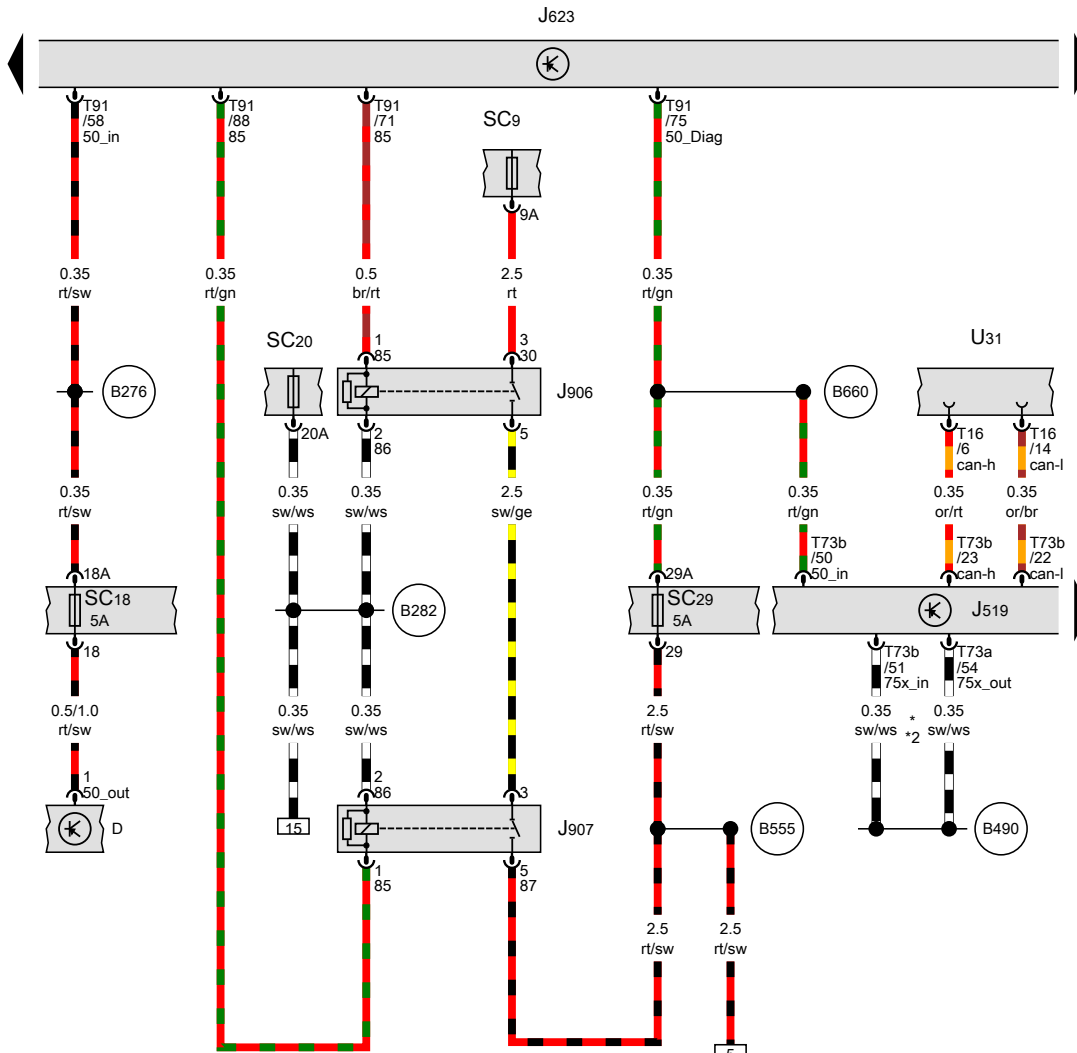
- J17 Fuel pump relay
- J271 Main relay
- J493 Auxiliary coolant heater relay, on relay carrier
- J623 Engine/motor control unit
- SF10 Fuse 10 in fuse holder F
- SC38 Fuse 38 on fuse holder C
- SC58 Fuse 58 on fuse holder C
- T3ab 3-pin connector, black
- T14c 14-pin connector, grey, near battery
- T14e 14-pin connector, grey, near right headlight
- T56b 56-pin connector, black
- T91 91-pin connector, black
- V55 Circulation pump, in engine compartment, on left headlight
- V488 Auxiliary pump for heating, in engine compartment, near right headlight

- (388) Earth connection 23, in main wiring harness
- (B277) Positive connection 1 (15a) in main wiring harness
- (B317) Positive connection 3 (30a) in main wiring harness
- (B332) Positive connection 18 (30a) in main wiring harness
- (B350) Positive connection 1 (87a) in main wiring harness
- (B429) Connection (EFPR), in main wiring harness

- * see applicable current flow diagram for air conditioning
- *2 see applicable current flow diagram for fuse assignment
- *3 For models with Climatronic
- *4 For models with Climatic
- *5 For left-hand drive models
- *6 For right-hand drive models
- *7 Only models with auxiliary coolant heater
- *8 For models with no auxiliary coolant heater

- ws = white
- sw = black
- ro = red
- rt = red
- br = brown
- gn = green
- bl = blue
- gr = grey
- li = purple
- vi = purple
- ge = yellow
- or = orange
- rs = pink

[S60-066041219]



Ignition/starter switch, Onboard supply control unit, Engine/motor control unit, Starter relay 1, Starter relay 2, Fuse 9 on fuse holder C, Fuse 18 on fuse holder C, Fuse 20 on fuse holder C, Fuse 29 on fuse holder C, Diagnostic connection

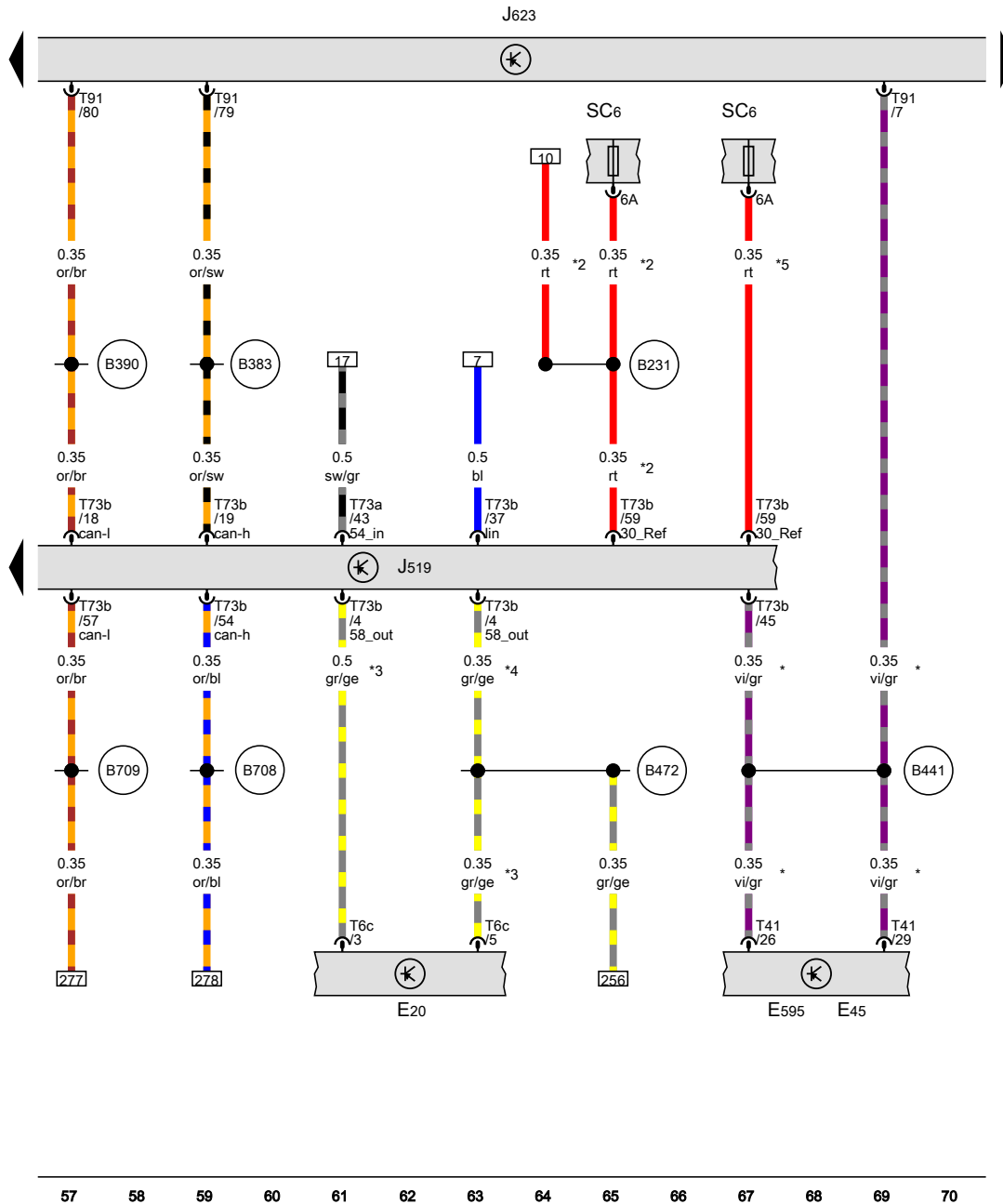
- D Ignition/starter switch
- J519 Onboard supply control unit
- J623 Engine/motor control unit
- J906 Starter relay 1
- J907 Starter relay 2
- SC9 Fuse 9 on fuse holder C
- SC18 Fuse 18 on fuse holder C
- SC20 Fuse 20 on fuse holder C
- SC29 Fuse 29 on fuse holder C
- T16 16-pin connector, black
- T73a 73-pin connector, black
- T73b 73-pin connector, colourless
- T91 91-pin connector, black
- U31 Diagnostic connection

- (B276) Positive connection (50), in main wiring harness
- (B282) Positive connection 6 (15a) in main wiring harness
- (B490) Connection 26, in main wiring harness
- (B555) Positive connection 2 (50), in main wiring harness
- (B660) Connection (diagnosis terminal 50), in main wiring harness
- * For models with no start/stop system
- *2 Wire with no function

- ws = white
- sw = black
- ro = red
- rt = red
- br = brown
- gn = green
- bl = blue
- gr = grey
- li = purple
- vi = purple
- ge = yellow
- or = orange
- rs = pink

43 44 45 46 47 48 49 50 51 52 53 54 55 56

[S60-066051219]



Switch and instrument illumination regulator, Cruise control system switch, Steering column combination switch, Onboard supply control unit, Engine/motor control unit, Fuse 6 on fuse holder C

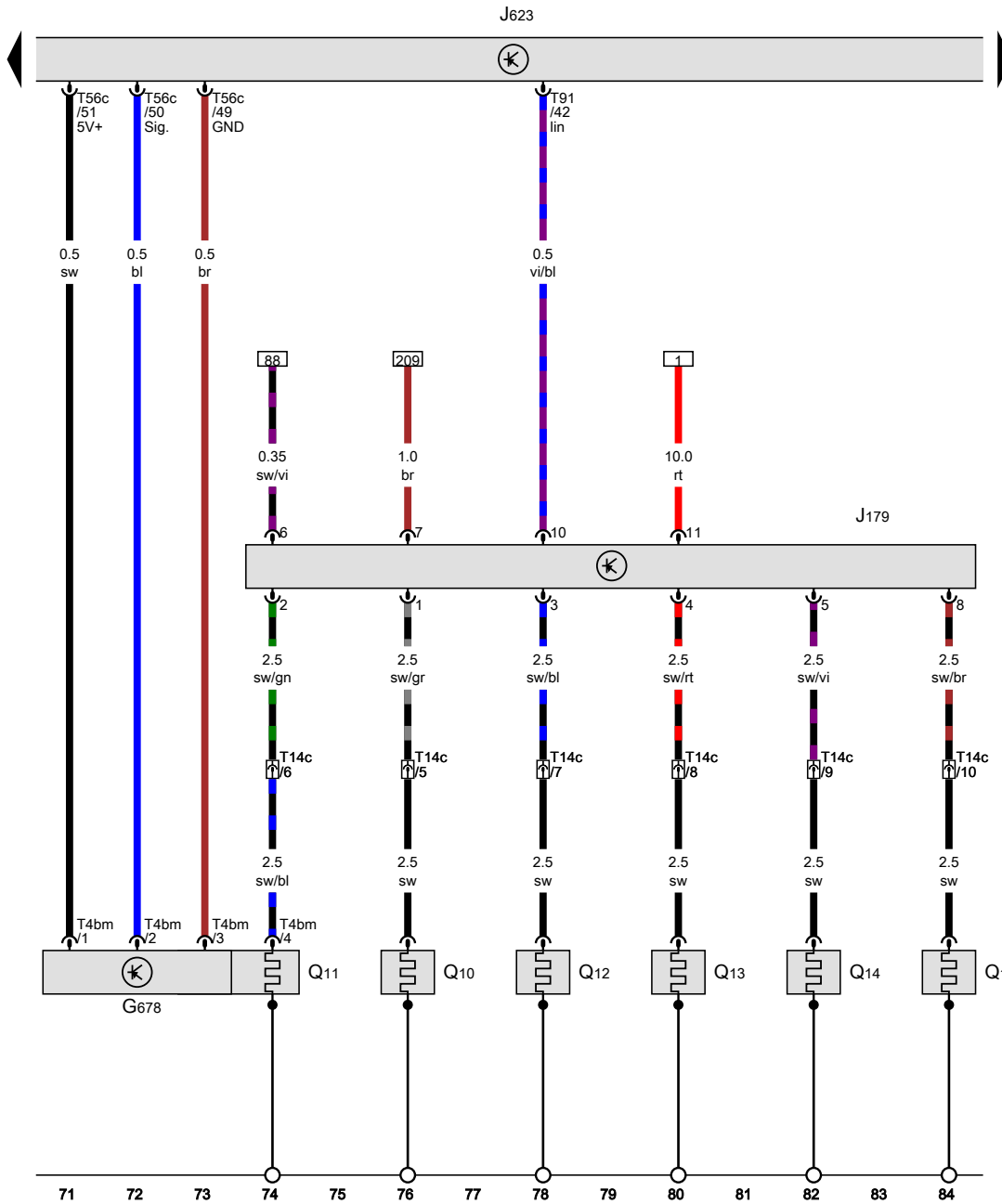
- E20 Switch and instrument illumination regulator
- E45 Cruise control system switch
- E595 Steering column combination switch
- J519 Onboard supply control unit
- J623 Engine/motor control unit
- SC6 Fuse 6 on fuse holder C
- T6c 6-pin connector, black
- T41 41-pin connector, grey
- T73a 73-pin connector, black
- T73b 73-pin connector, colourless
- T91 91-pin connector, black

- (B231) Positive connection 5 (30a), in interior wiring harness
- (B383) Connection 1 (powertrain CAN bus, high), in main wiring harness
- (B390) Connection 1 (powertrain CAN bus, low), in main wiring harness
- (B441) Connection (CCS), in main wiring harness
- (B472) Connection 8, in main wiring harness
- (B708) Connection 1 (dash panel insert CAN bus high) in main wiring harness
- (B709) Connection 1 (dash panel insert CAN bus low) in main wiring harness

- * For models with cruise control system (CCS)
- *2 For models with start/stop system
- *3 For models with dimmable instrument illumination
- *4 For models with no dimmable instrument illumination
- *5 For models with no start/stop system

- ws = white
- sw = black
- ro = red
- rt = red
- br = brown
- gn = green
- bl = blue
- gr = grey
- li = purple
- vi = purple
- ge = yellow
- or = orange
- rs = pink

1S60-0660612191

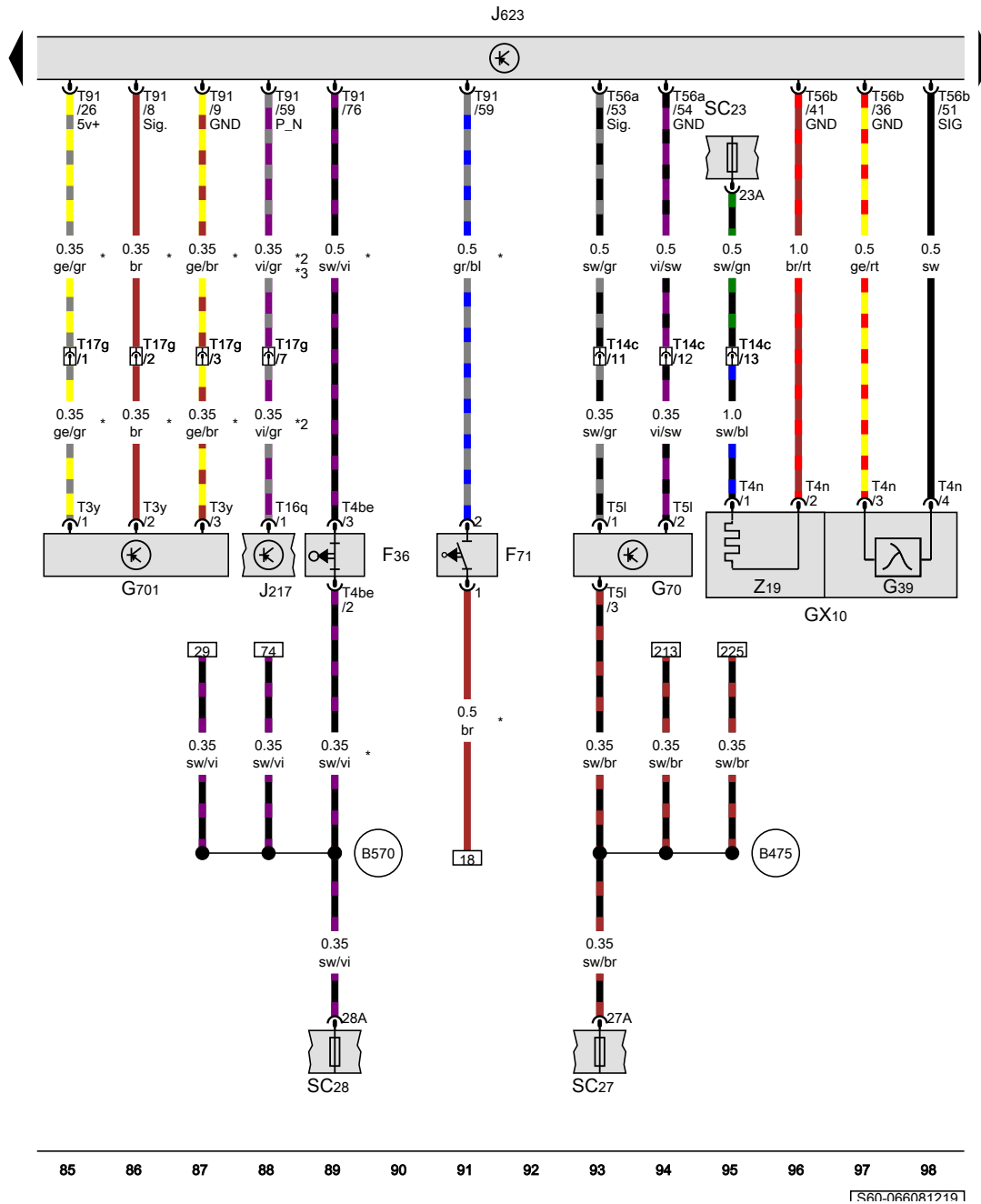


Cylinder 2 combustion chamber pressure sender,
Automatic glow period control unit, Engine/motor control
unit, Glow plug 1, Glow plug 2, Glow plug 3, Glow plug 4,
Glow plug 5, Glow plug 6

- G678 Cylinder 2 combustion chamber pressure sender
- J179 Automatic glow period control unit
- J623 Engine/motor control unit
- Q10 Glow plug 1
- Q11 Glow plug 2
- Q12 Glow plug 3
- Q13 Glow plug 4
- Q14 Glow plug 5
- Q15 Glow plug 6
- T4bm 4-pin connector, black
- T14c 14-pin connector, grey, near battery
- T56c 56-pin connector, black
- T91 91-pin connector, black

- ws = white
- sw = black
- ro = red
- rt = red
- br = brown
- gn = green
- bl = blue
- gr = grey
- li = purple
- vi = purple
- ge = yellow
- or = orange
- rs = pink

[S60-066071219]



Clutch pedal switch, Clutch pedal switch for stop/start system, Lambda probe 1 before catalytic converter, Lambda probe, Air mass meter, Gearbox neutral position sender, Automatic gearbox control unit, Engine/motor control unit, Fuse 23 on fuse holder C, Fuse 27 on fuse holder C, Fuse 28 on fuse holder C

- F36 Clutch pedal switch
- F71 Clutch pedal switch for stop/start system
- GX10 Lambda probe 1 before catalytic converter
- G39 Lambda probe
- G70 Air mass meter
- G701 Gearbox neutral position sender
- J217 Automatic gearbox control unit
- J623 Engine/motor control unit
- SC23 Fuse 23 on fuse holder C
- SC27 Fuse 27 on fuse holder C
- SC28 Fuse 28 on fuse holder C
- T3y 3-pin connector, black
- T4be 4-pin connector, black
- T4n 4-pin connector, black
- T5l 5-pin connector, black
- T14c 14-pin connector, grey, near battery
- T16q 16-pin connector, black
- T17g 17-pin connector, black, near handbrake lever
- T56a 56-pin connector, black
- T56b 56-pin connector, black
- T91 91-pin connector, black
- Z19 Lambda probe heater

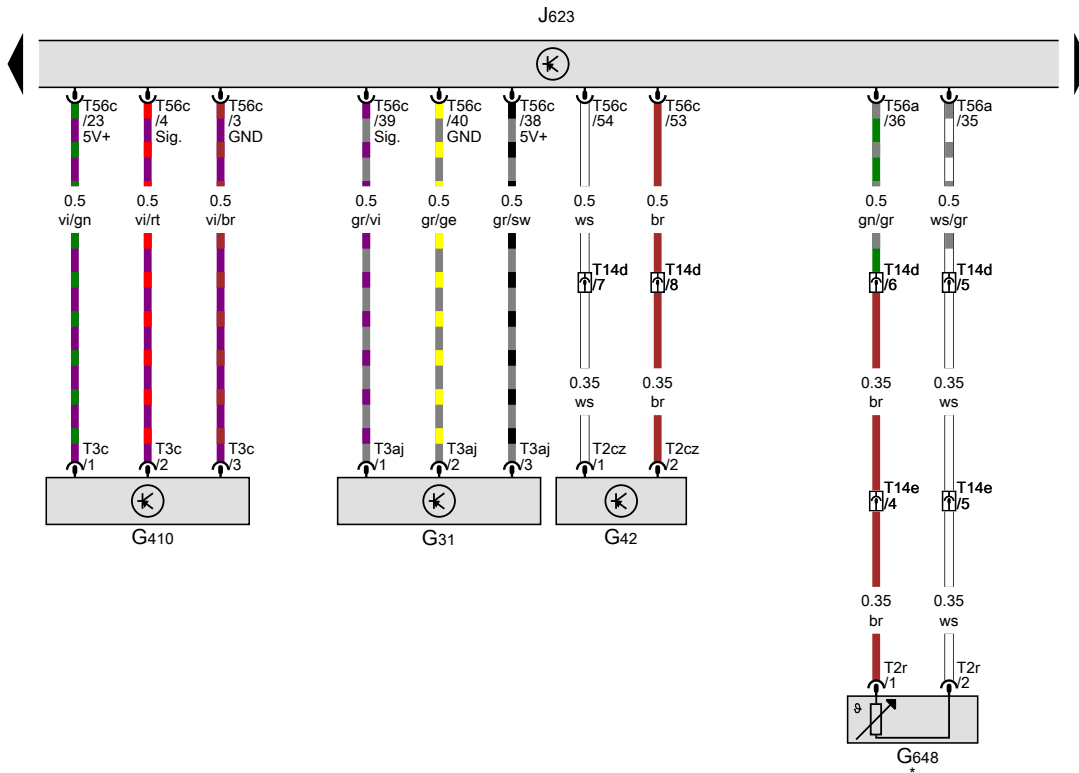
(B475) Connection 11, in main wiring harness

(B570) Connection 37, in main wiring harness

- * For models with manual gearbox
- *2 For models with automatic gearbox
- *3 According to equipment

- ws = white
- sw = black
- ro = red
- rt = red
- br = brown
- gn = green
- bl = blue
- gr = grey
- li = purple
- vi = purple
- ge = yellow
- or = orange
- rs = pink

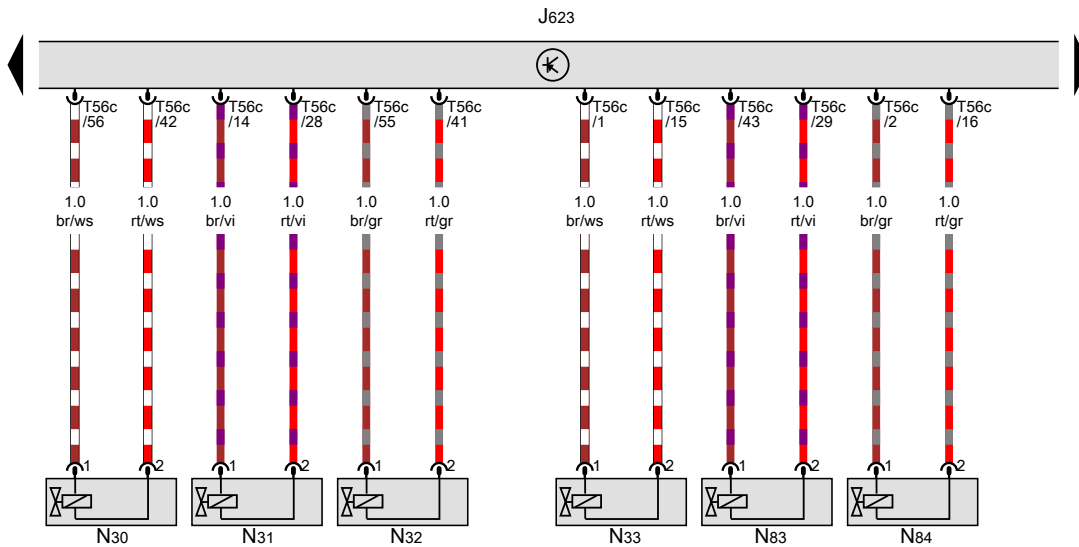
[S60-0660R1219]



Charge pressure sender, Intake air temperature sender, Fuel pressure sender for low pressure, Exhaust gas temperature sender 4, Engine/motor control unit

- G31 Charge pressure sender
- G42 Intake air temperature sender
- G410 Fuel pressure sender for low pressure
- G648 Exhaust gas temperature sender 4
- J623 Engine/motor control unit
- T2cz 2-pin connector, black
- T2r 2-pin connector, light brown
- T3aj 3-pin connector, black
- T3c 3-pin connector, black
- T14d 14-pin connector, black, near battery
- T14e 14-pin connector, grey, near right headlight
- T56a 56-pin connector, black
- T56c 56-pin connector, black
- * Pre-wired component

- ws = white
- sw = black
- ro = red
- rt = red
- br = brown
- gn = green
- bl = blue
- gr = grey
- li = purple
- vi = purple
- ge = yellow
- or = orange
- rs = pink



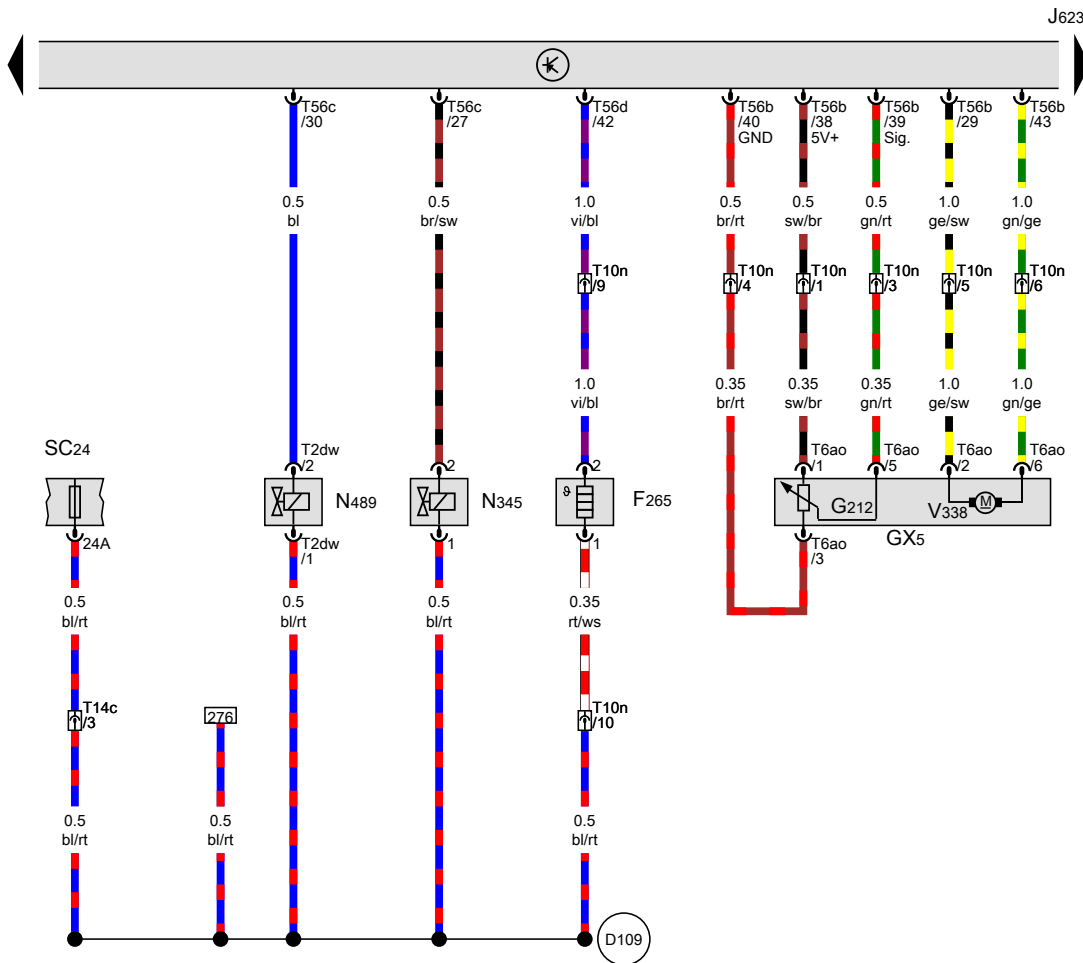
Engine/motor control unit, Injector, cylinder 1, Injector, cylinder 2, Injector, cylinder 3, Injector, cylinder 4, Injector, cylinder 5, Injector, cylinder 6

- J623 Engine/motor control unit
- N30 Injector, cylinder 1
- N31 Injector, cylinder 2
- N32 Injector, cylinder 3
- N33 Injector, cylinder 4
- N83 Injector, cylinder 5
- N84 Injector, cylinder 6
- T56c 56-pin connector, black

- ws = white
- sw = black
- ro = red
- rt = red
- br = brown
- gn = green
- bl = blue
- gr = grey
- li = purple
- vi = purple
- ge = yellow
- or = orange
- rs = pink

113 114 115 116 117 118 119 120 121 122 123 124 125 126

[560-068101219]



Map-controlled engine cooling system thermostat, Exhaust gas recirculation valve 1, Engine/motor control unit, Exhaust gas recirculation cooler changeover valve, Coolant valve for cylinder head, Fuse 24 on fuse holder C

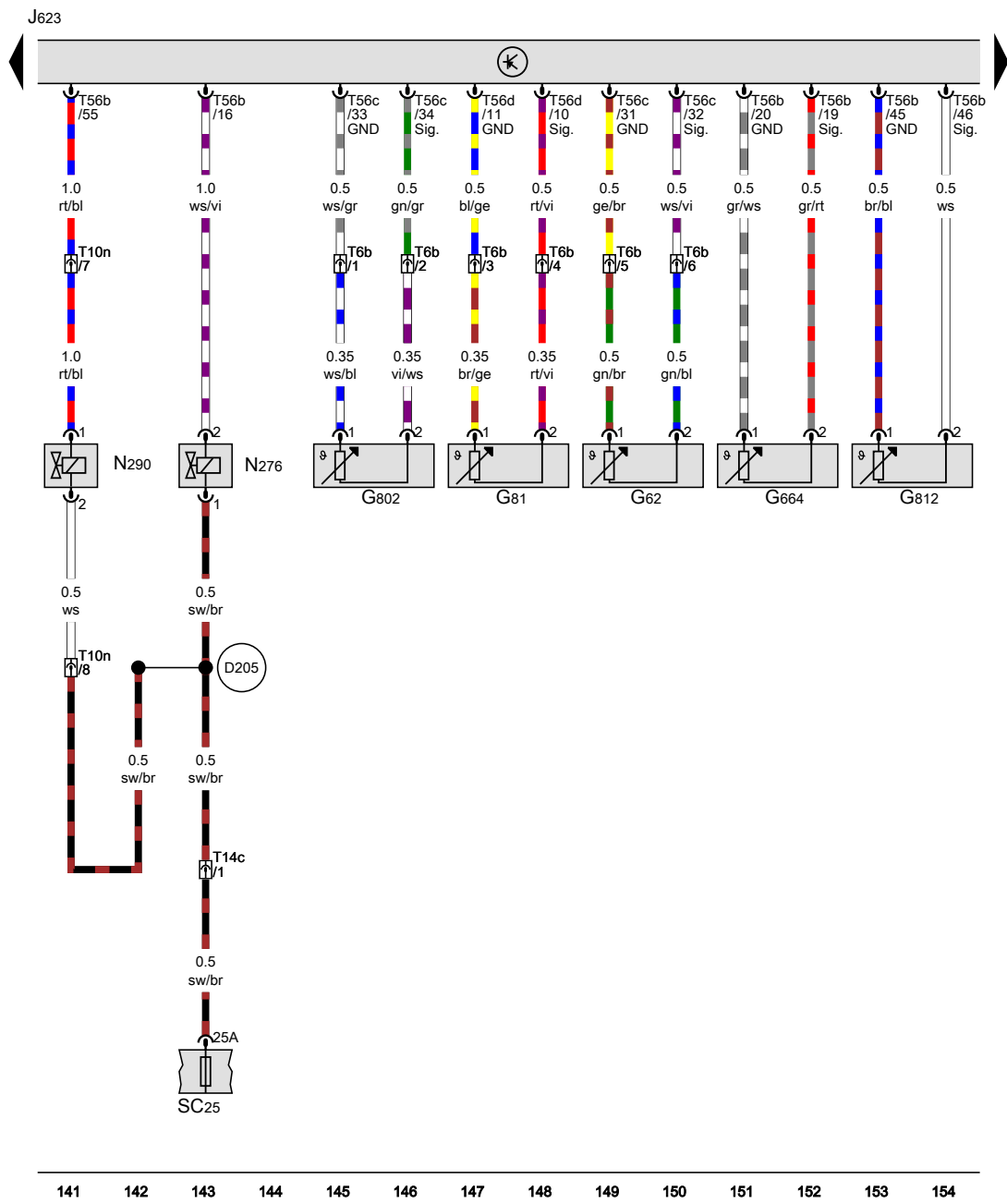
- F265 Map-controlled engine cooling system thermostat
- GX5 Exhaust gas recirculation valve 1
- G212 Exhaust gas recirculation potentiometer
- J623 Engine/motor control unit
- N345 Exhaust gas recirculation cooler changeover valve
- N489 Coolant valve for cylinder head
- SC24 Fuse 24 on fuse holder C
- T2dw 2-pin connector, grey
- T6ao 6-pin connector, grey
- T10n 10-pin connector, black
- T14c 14-pin connector, grey, near battery
- T56b 56-pin connector, black
- T56c 56-pin connector, black
- T56d 56-pin connector, black
- V338 Exhaust gas recirculation control motor

D109 Connection 7 in engine compartment wiring harness

- ws = white
- sw = black
- ro = red
- rt = red
- br = brown
- gn = green
- bl = blue
- gr = grey
- li = purple
- vi = purple
- ge = yellow
- or = orange
- rs = pink

127 128 129 130 131 132 133 134 135 136 137 138 139 140

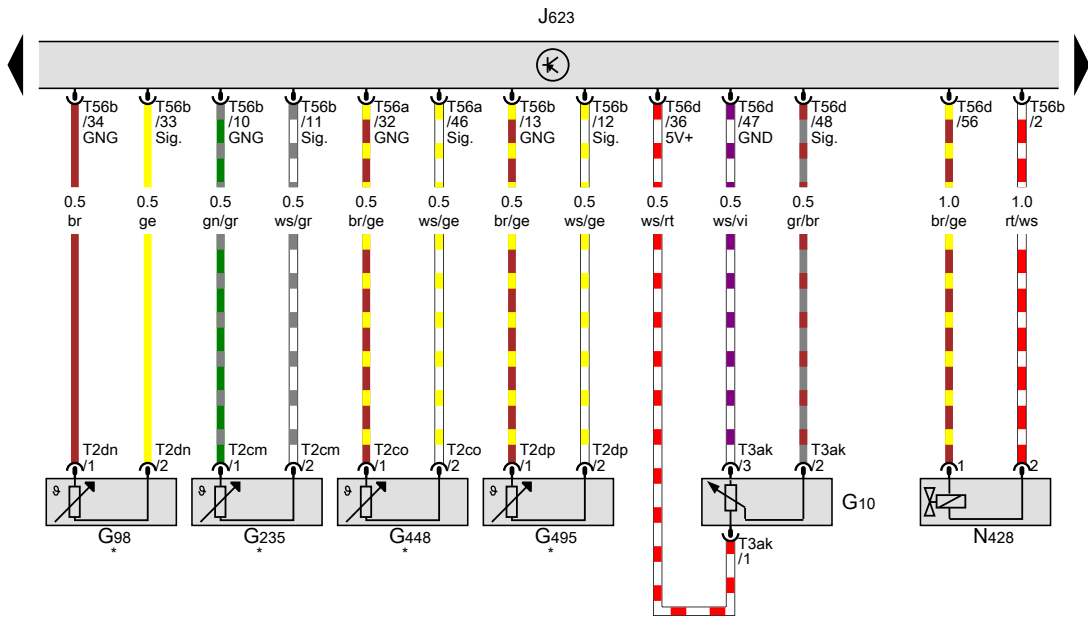
[S60-06R111219]



Coolant temperature sender, Fuel temperature sender, Oil temperature sender 2, Coolant temperature sender 2, Coolant temperature sender 3, Engine/motor control unit, Fuel pressure regulating valve, Fuel metering valve, Fuse 25 on fuse holder C

- G62 Coolant temperature sender
- G81 Fuel temperature sender
- G664 Oil temperature sender 2
- G802 Coolant temperature sender 2
- G812 Coolant temperature sender 3
- J623 Engine/motor control unit
- N276 Fuel pressure regulating valve
- N290 Fuel metering valve
- SC25 Fuse 25 on fuse holder C
- T6b 6-pin connector, black
- T10n 10-pin connector, black
- T14c 14-pin connector, grey, near battery
- T56b 56-pin connector, black
- T56c 56-pin connector, black
- T56d 56-pin connector, black
- D205 Connection 3 (87a) in engine prewiring harness

- ws = white
- sw = black
- ro = red
- rt = red
- br = brown
- gn = green
- bl = blue
- gr = grey
- li = purple
- vi = purple
- ge = yellow
- or = orange
- rs = pink



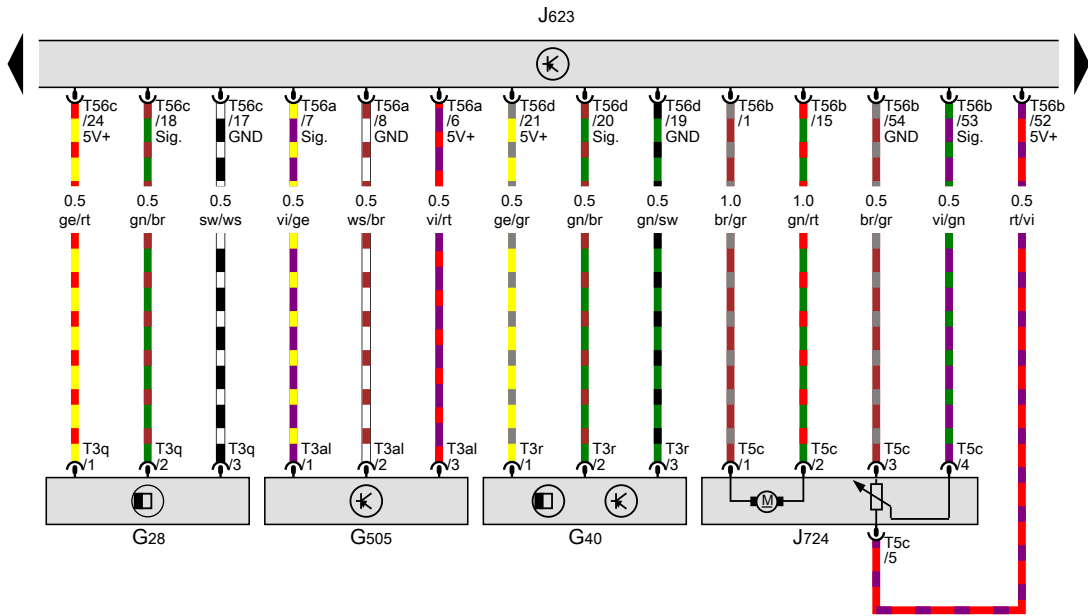
Oil pressure sender, Exhaust gas recirculation temperature sensor, Exhaust gas temperature sender 1, Exhaust gas temperature sender 2, Exhaust gas temperature sender 3, Engine/motor control unit, Valve for oil pressure control

- G10 Oil pressure sender
- G98 Exhaust gas recirculation temperature sensor
- G235 Exhaust gas temperature sender 1
- G448 Exhaust gas temperature sender 2
- G495 Exhaust gas temperature sender 3
- J623 Engine/motor control unit
- N428 Valve for oil pressure control
- T2cm 2-pin connector, black
- T2co 2-pin connector, black
- T2dn 2-pin connector, light brown
- T2dp 2-pin connector, brown
- T3ak 3-pin connector, black
- T56a 56-pin connector, black
- T56b 56-pin connector, black
- T56d 56-pin connector, black
- * Pre-wired component

- ws = white
- sw = black
- ro = red
- rt = red
- br = brown
- gn = green
- bl = blue
- gr = grey
- li = purple
- vi = purple
- ge = yellow
- or = orange
- rs = pink

155 156 157 158 159 160 161 162 163 164 165 166 167 168

[S60-06R131219]



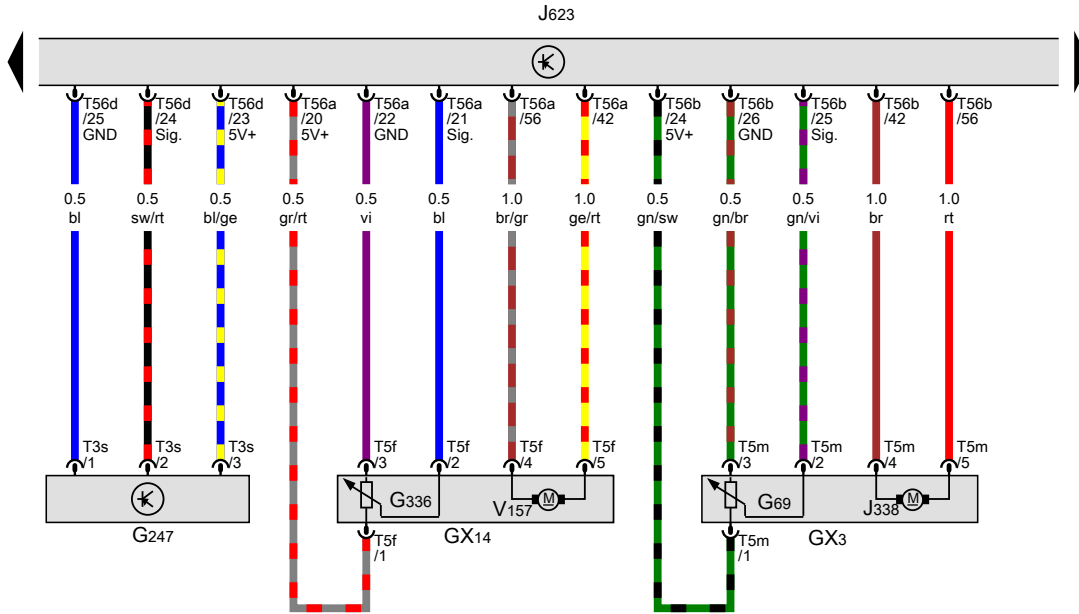
Engine speed sender, Hall sender, Pressure differential sender, Engine/motor control unit, Turbocharger 1 control unit

- G28 Engine speed sender
- G40 Hall sender
- G505 Pressure differential sender
- J623 Engine/motor control unit
- J724 Turbocharger 1 control unit
- T3al 3-pin connector, black
- T3q 3-pin connector, black
- T3r 3-pin connector, black
- T5c 5-pin connector, black
- T56a 56-pin connector, black
- T56b 56-pin connector, black
- T56c 56-pin connector, black
- T56d 56-pin connector, black

- ws = white
- sw = black
- ro = red
- rt = red
- br = brown
- gn = green
- bl = blue
- gr = grey
- li = purple
- vi = purple
- ge = yellow
- or = orange
- rs = pink

169 170 171 172 173 174 175 176 177 178 179 180 181 182

[S60-06R141219]



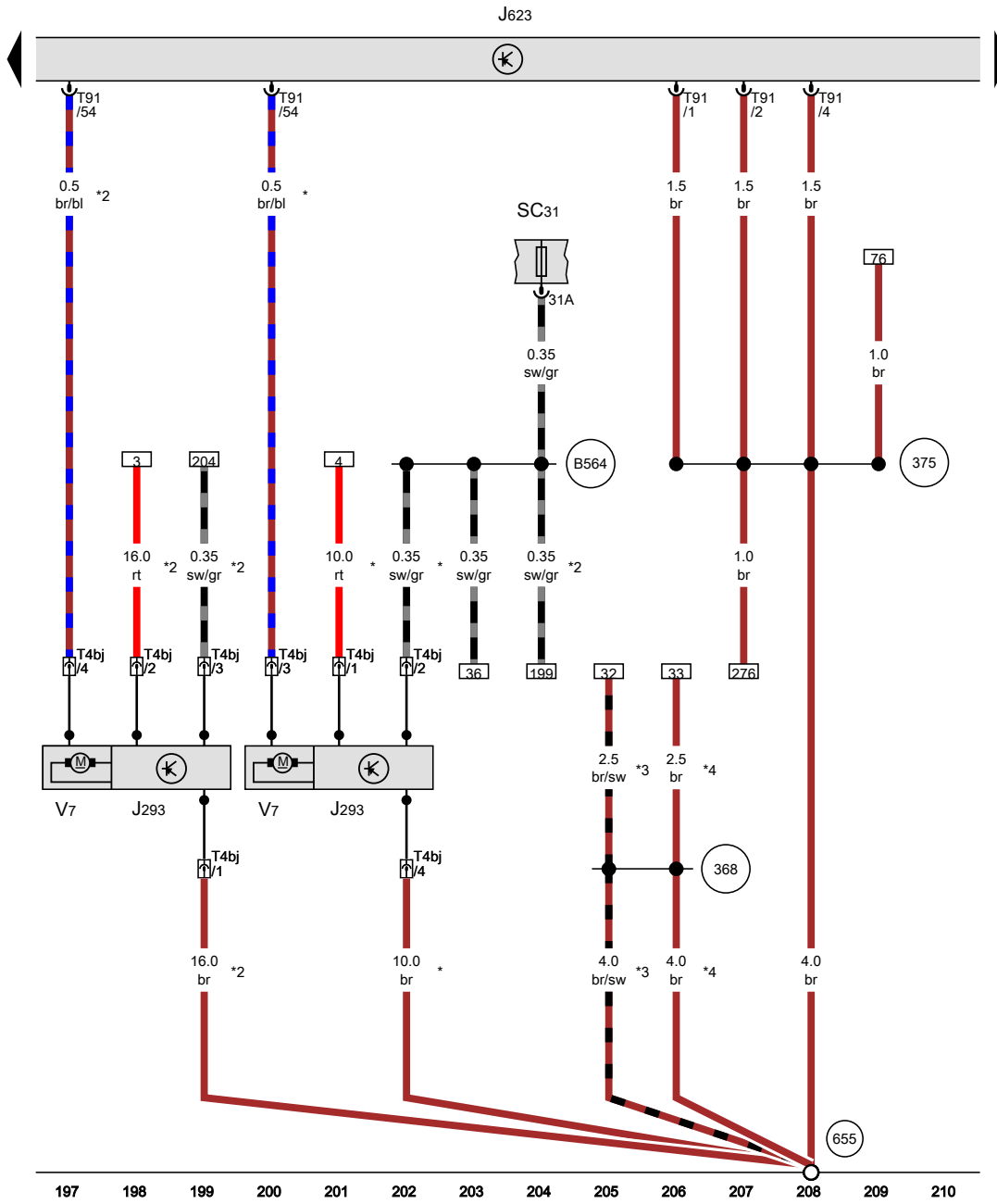
Throttle valve module, Intake manifold flap control unit, Fuel pressure sender, Engine/motor control unit

- GX3 Throttle valve module
- GX14 Intake manifold flap control unit
- G69 Throttle valve potentiometer
- G247 Fuel pressure sender
- G336 Intake manifold flap potentiometer
- J338 Throttle valve module
- J623 Engine/motor control unit
- T3s 3-pin connector, black
- T5f 5-pin connector, black
- T5m 5-pin connector, black
- T56a 56-pin connector, black
- T56b 56-pin connector, black
- T56d 56-pin connector, black
- V157 Intake manifold flap motor

- ws = white
- sw = black
- ro = red
- rt = red
- br = brown
- gn = green
- bl = blue
- gr = grey
- li = purple
- vi = purple
- ge = yellow
- or = orange
- rs = pink

183 184 185 186 187 188 189 190 191 192 193 194 195 196

[560-06R151219]



Radiator fan control unit, Engine/motor control unit, Fuse 31 on fuse holder C, Radiator fan

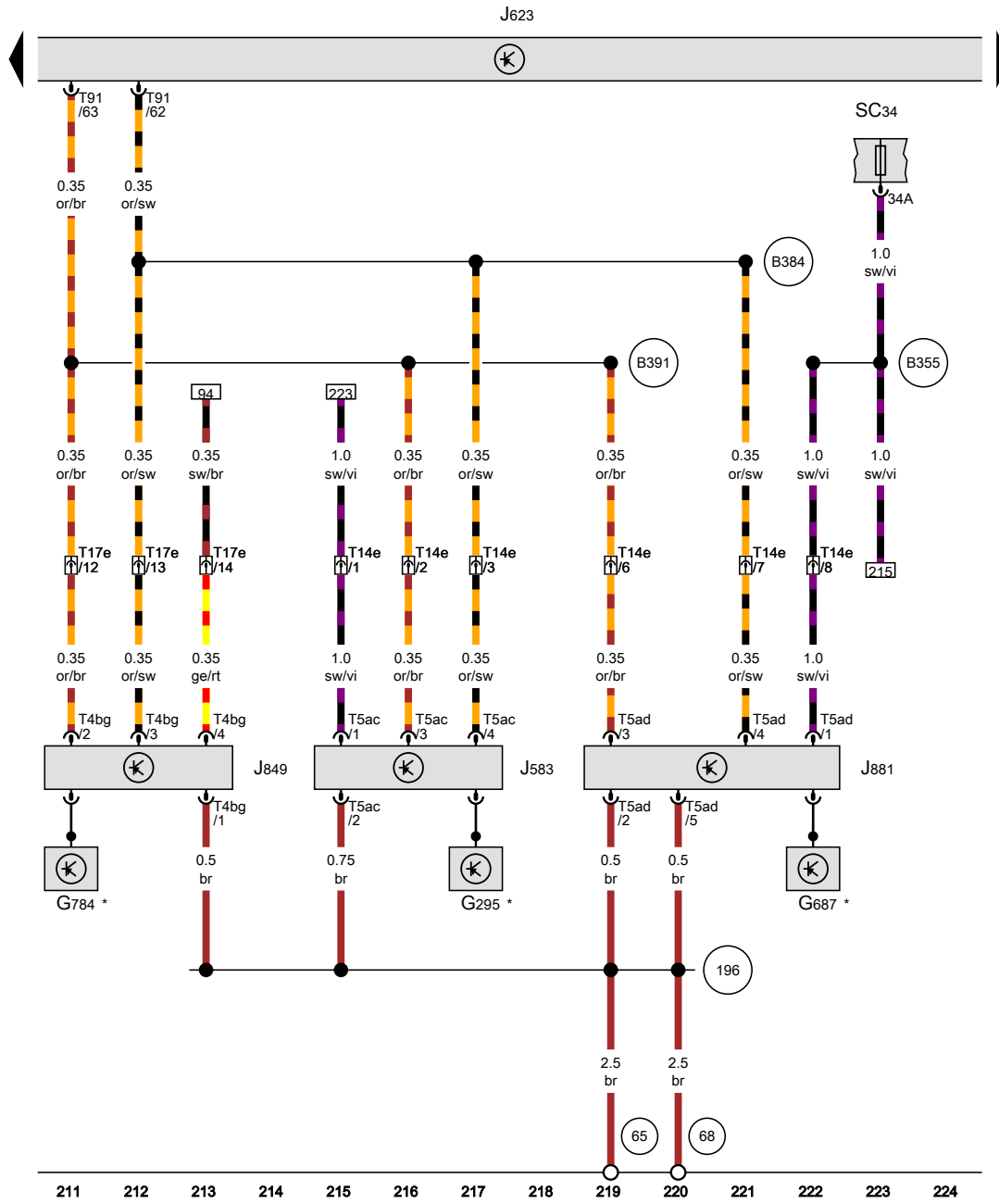
- J293 Radiator fan control unit
- J623 Engine/motor control unit
- SC31 Fuse 31 on fuse holder C
- T4bj 4-pin connector, black, on radiator cowl
- T91 91-pin connector, black
- V7 Radiator fan

- 368 Earth connection 3, in main wiring harness
- 375 Earth connection 10, in main wiring harness
- 655 Earth point, on left headlight
- B564 Connection 31, in main wiring harness

- * For models with low fan output
- *2 For models with increased fan output
- *3 For left-hand drive models
- *4 For right-hand drive models

- ws = white
- sw = black
- ro = red
- rt = red
- br = brown
- gn = green
- bl = blue
- gr = grey
- li = purple
- vi = purple
- ge = yellow
- or = orange
- rs = pink

[S60-06R1R1219]



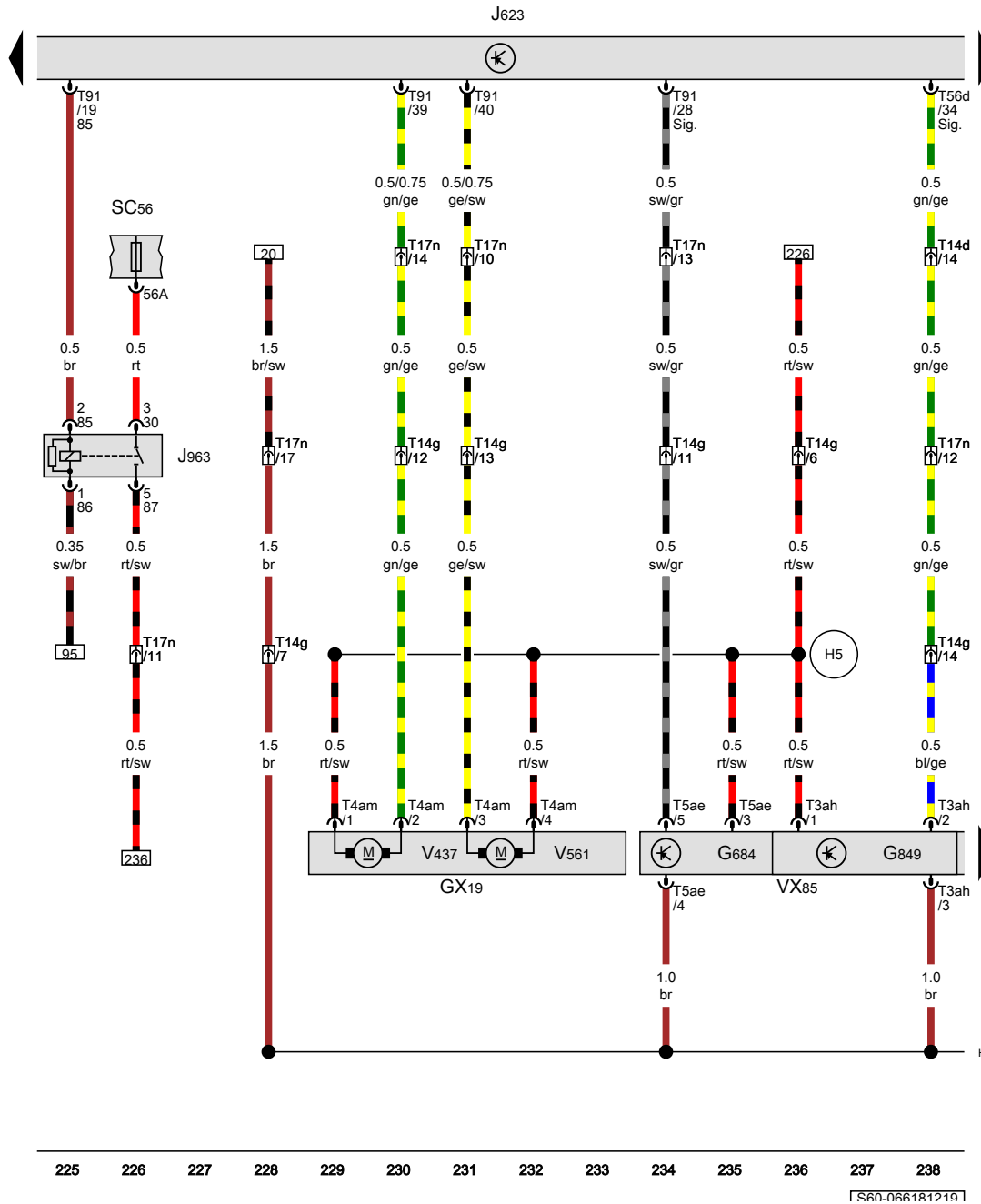
NOx sender, NOx sender 2, Particulate sensor, Engine/motor control unit, Fuse 34 on fuse holder C

- G295 NOx sender
- G687 NOx sender 2
- G784 Particulate sensor
- J583 Control unit for NOx sender
- J623 Engine/motor control unit
- J849 Control unit for sensor electronics
- J881 Control unit for NOx sender 2
- SC34 Fuse 34 on fuse holder C
- T4bg 4-pin connector, black
- T5ac 5-pin connector, black
- T5ad 5-pin connector, black
- T14e 14-pin connector, grey, near right headlight
- T17e 17-pin connector, red, near handbrake lever
- T91 91-pin connector, black

- (65) Earth point, on rear of left longitudinal member
- (68) Earth point, on left of rear cross member
- (196) Earth connection 3, in rear wiring harness
- (B355) Positive connection 6 (87a) in main wiring harness
- (B384) Connection 2 (powertrain CAN bus, high), in main wiring harness
- (B391) Connection 2 (powertrain CAN bus, low), in main wiring harness
- * Pre-wired component

- ws = white
- sw = black
- ro = red
- rt = red
- br = brown
- gn = green
- bl = blue
- gr = grey
- li = purple
- vi = purple
- ge = yellow
- or = orange
- rs = pink

TS60-066171219

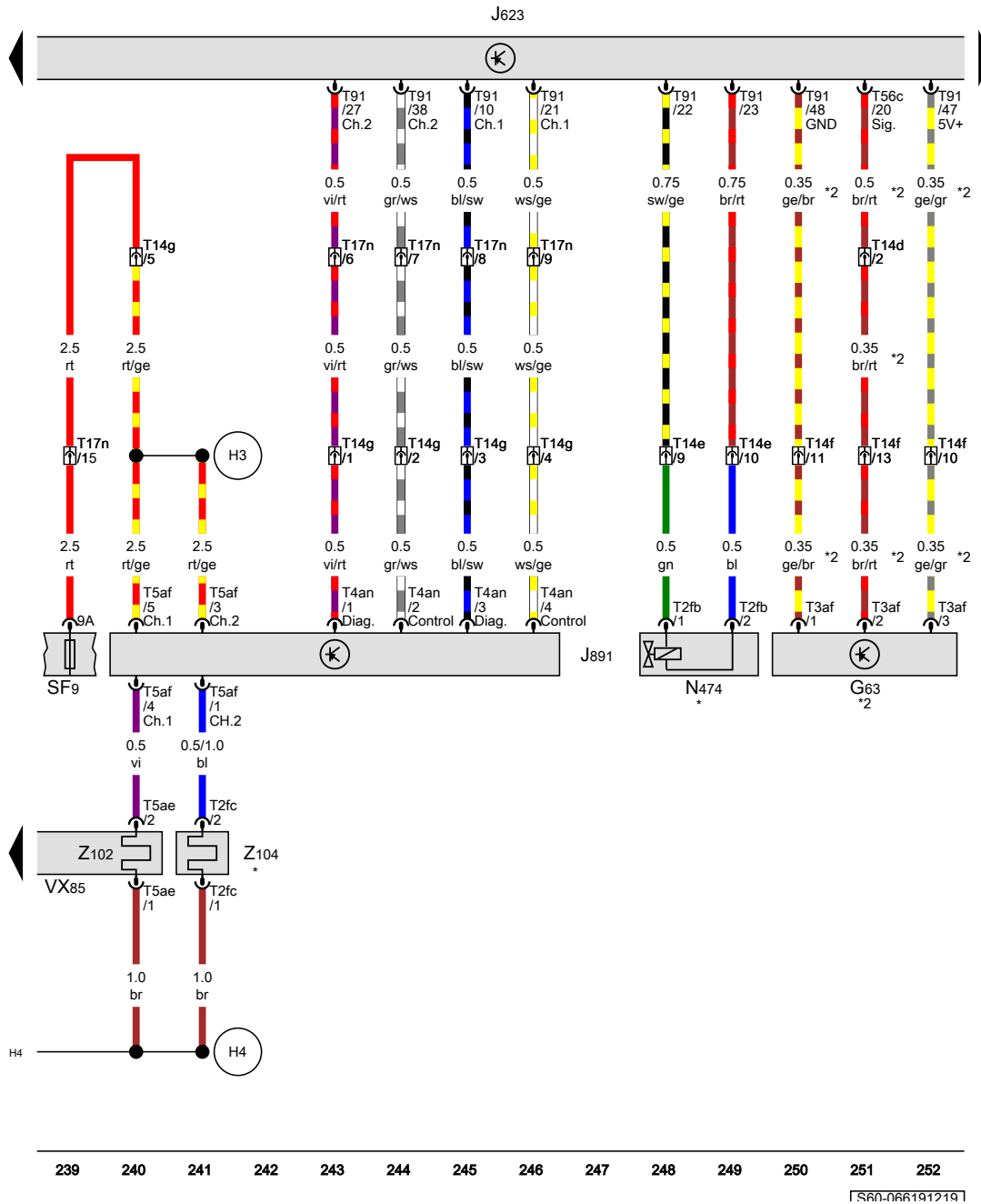


Delivery unit for reducing agent metering system, Engine/motor control unit, Relay for reducing agent metering system, Fuse 56 on fuse holder C, Reducing agent tank

- GX19 Delivery unit for reducing agent metering system, on reducing-agent tank
- G684 Tank sender for reducing agent, in reducing agent tank
- G849 Reducing agent quality sensor, in reducing agent tank
- J623 Engine/motor control unit
- J963 Relay for reducing agent metering system
- SC56 Fuse 56 on fuse holder C
- T3ah 3-pin connector, black
- T4am 4-pin connector, black
- T5ae 5-pin connector, black
- T14d 14-pin connector, black, near battery
- T14g 14-pin connector, grey, rear
- T17n 17-pin connector, green, near handbrake lever
- T56d 56-pin connector, black
- VX85 Reducing agent tank
- V437 Pump for reducing agent, on reducing-agent tank
- V561 Reducing agent return flow pump, on reducing-agent tank

- H4 Connection 2 in wiring harness for reducing agent tank
- H5 Connection 3 in wiring harness for reducing agent tank

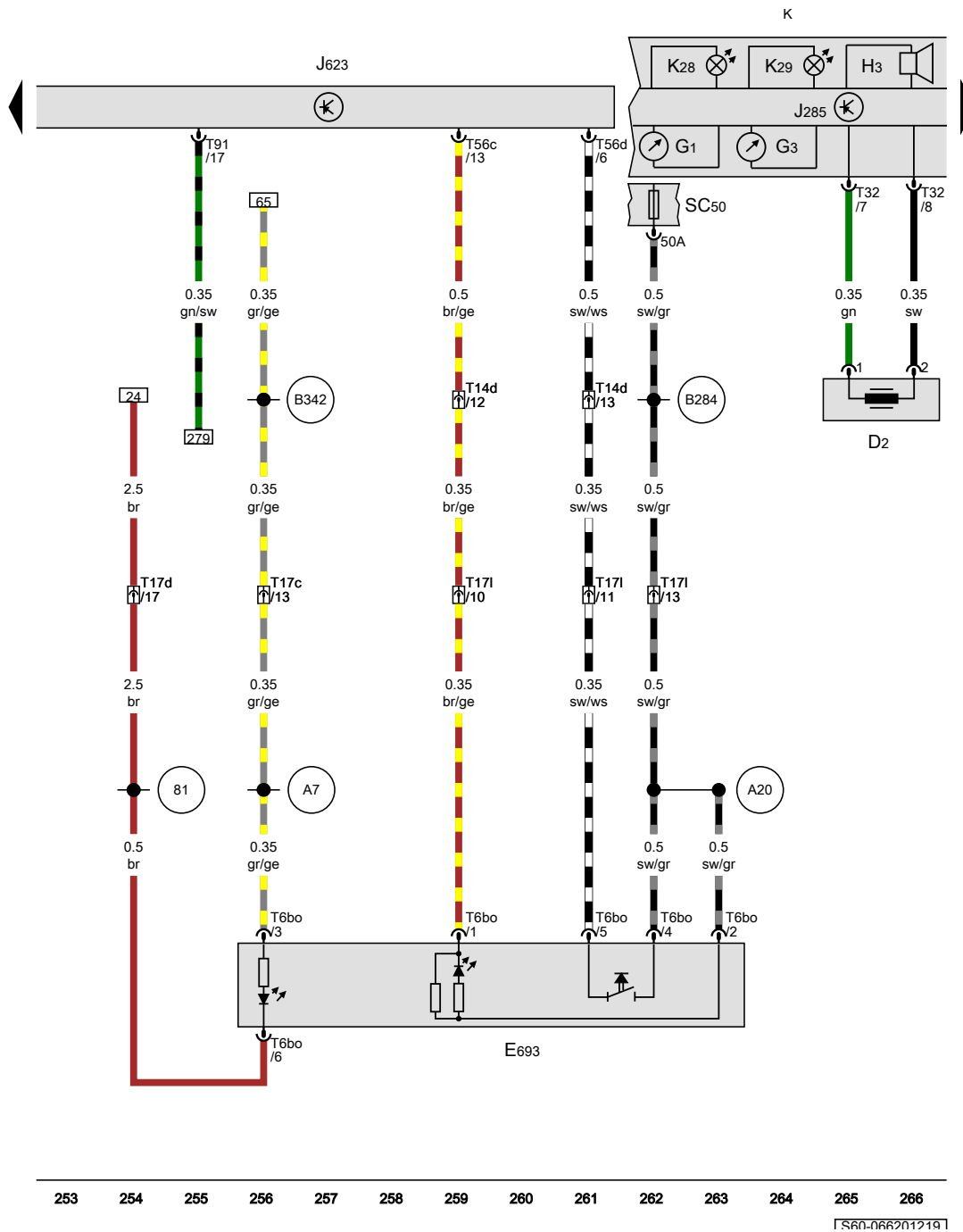
- ws = white
- sw = black
- ro = red
- rt = red
- br = brown
- gn = green
- bl = blue
- gr = grey
- li = purple
- vi = purple
- ge = yellow
- or = orange
- rs = pink



Water separator sender, Engine/motor control unit, Control unit for reducing agent heater, Injector for reducing agent, Fuse 9 in fuse holder F, Reducing agent tank, Heater for reducing agent line (heater circuit 2)

- G63 Water separator sender
- J623 Engine/motor control unit
- J891 Control unit for reducing agent heater
- N474 Injector for reducing agent
- SF9 Fuse 9 in fuse holder F
- T2fb 2-pin connector, black
- T2fc 2-pin connector, black
- T3af 3-pin connector, brown
- T4an 4-pin connector, black
- T5ae 5-pin connector, black
- T5af 5-pin connector, colourless
- T14d 14-pin connector, black, near battery
- T14e 14-pin connector, grey, near right headlight
- T14f 14-pin connector, black, near right headlight
- T14g 14-pin connector, grey, rear
- T17n 17-pin connector, green, near handbrake lever
- T56c 56-pin connector, black
- T91 91-pin connector, black
- VX85 Reducing agent tank
- Z102 Heater for reducing agent tank (heater circuit 1), in reducing agent tank
- Z104 Heater for reducing agent line (heater circuit 2)
- H3 Connection 1 in wiring harness for reducing agent tank
- H4 Connection 2 in wiring harness for reducing agent tank
- * Pre-wired component
- *2 Country specific

- ws = white
- sw = black
- ro = red
- rt = red
- br = brown
- gn = green
- bl = blue
- gr = grey
- li = purple
- vi = purple
- ge = yellow
- or = orange
- rs = pink



Start/Stop operation button, Engine/motor control unit, Dash panel insert, Fuse 50 on fuse holder C

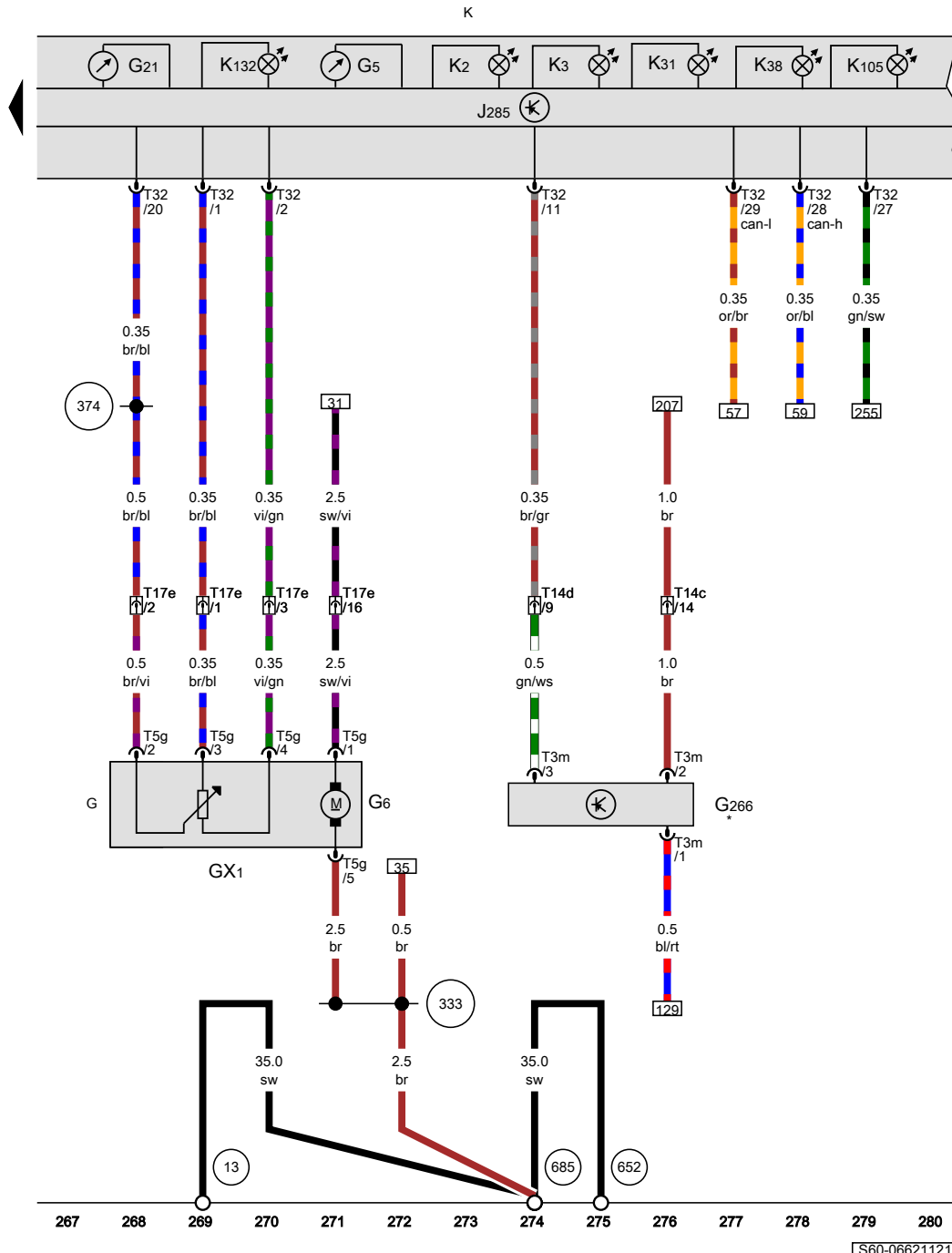
- D2 Immobiliser reader coil
- E693 Start/Stop operation button
- G1 Fuel gauge
- G3 Coolant temperature gauge
- H3 Buzzer and gong
- J285 Control unit in dash panel insert
- J623 Engine/motor control unit
- K Dash panel insert
- K28 Coolant temperature and coolant shortage warning lamp
- K29 Glow period warning lamp
- SC50 Fuse 50 on fuse holder C
- T6bo 6-pin connector, grey
- T14d 14-pin connector, black, near battery
- T17c 17-pin connector, white, behind dash panel
- T17d 17-pin connector, green, behind dash panel
- T17l 17-pin connector, brown, behind dash panel
- T32 32-pin connector, blue
- T56c 56-pin connector, black
- T56d 56-pin connector, black
- T91 91-pin connector, black

- 81 Earth connection 1, in dash panel wiring harness
- A7 Positive connection (58 D1), in dash panel wiring harness
- A20 Positive connection (15a), in dash panel wiring harness
- B284 Positive connection 8 (15a) in main wiring harness
- B342 Connection 3 (58d), in main wiring harness

- ws = white
- sw = black
- ro = red
- rt = red
- br = brown
- gn = green
- bl = blue
- gr = grey
- li = purple
- vi = purple
- ge = yellow
- or = orange
- rs = pink

253 254 255 256 257 258 259 260 261 262 263 264 265 266

[S60-066201219]



Fuel system pressurisation pump, Oil level and oil temperature sender, Dash panel insert

- G Fuel gauge sender
- GX1 Fuel delivery unit
- G5 Rev. counter
- G6 Fuel system pressurisation pump
- G21 Speedometer
- G266 Oil level and oil temperature sender
- J285 Control unit in dash panel insert
- K Dash panel insert
- K2 Alternator warning lamp
- K3 Oil pressure warning lamp
- K31 Cruise control system warning lamp
- K38 Oil level warning lamp
- K105 Reserve fuel warning lamp
- K132 Electronic power control fault lamp
- T3m 3-pin connector, black
- T5g 5-pin connector, black
- T14c 14-pin connector, grey, near battery
- T14d 14-pin connector, black, near battery
- T17e 17-pin connector, red, near handbrake lever
- T32 32-pin connector, blue

- 13 Earth point, on right in engine compartment
- 333 Earth connection 5, in rear wiring harness
- 374 Earth connection 9, in main wiring harness
- 652 Earth point, engine and gearbox earth
- 685 Earth point 1, on front of right longitudinal member

* According to equipment

- ws = white
- sw = black
- ro = red
- rt = red
- br = brown
- gn = green
- bl = blue
- gr = grey
- li = purple
- vi = purple
- ge = yellow
- or = orange
- rs = pink

[S60-066211219]

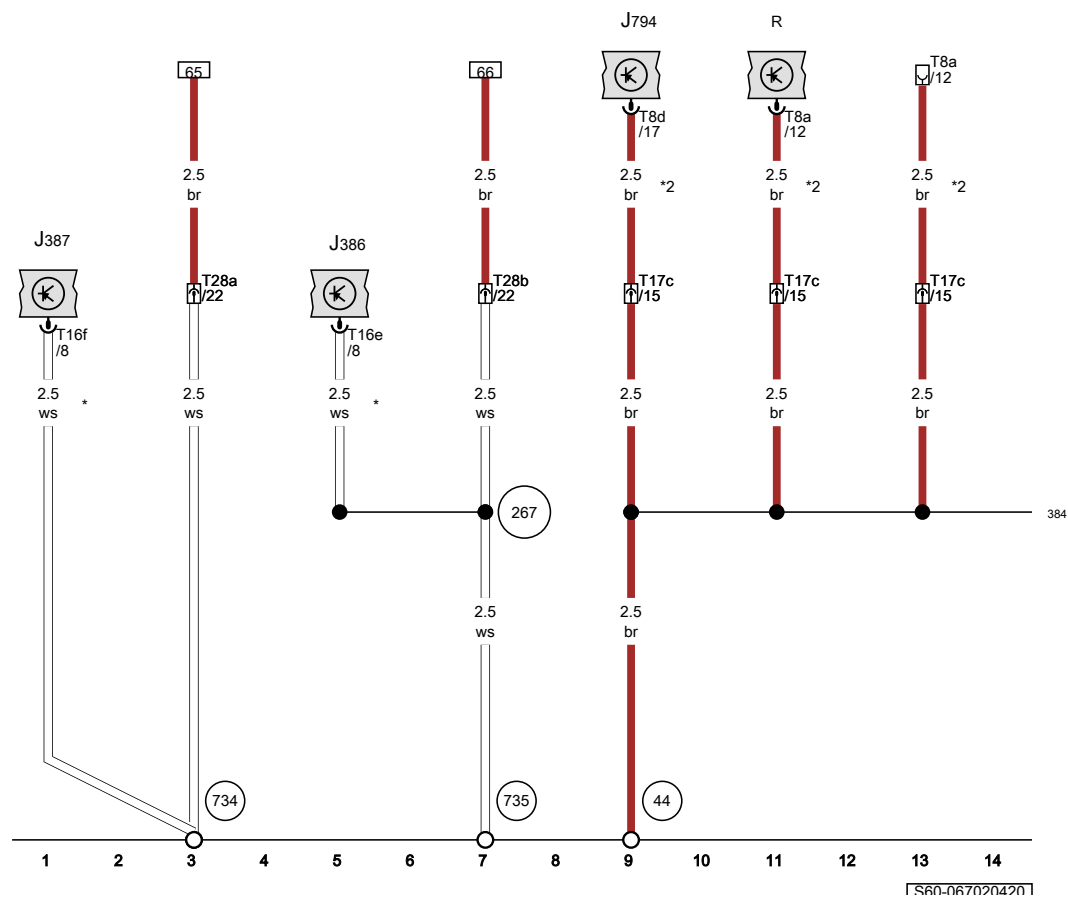
Earthing concept , (L0R)

From August 2018

Driver door control unit, Front passenger door control unit, Control unit 1 for information electronics, Radio

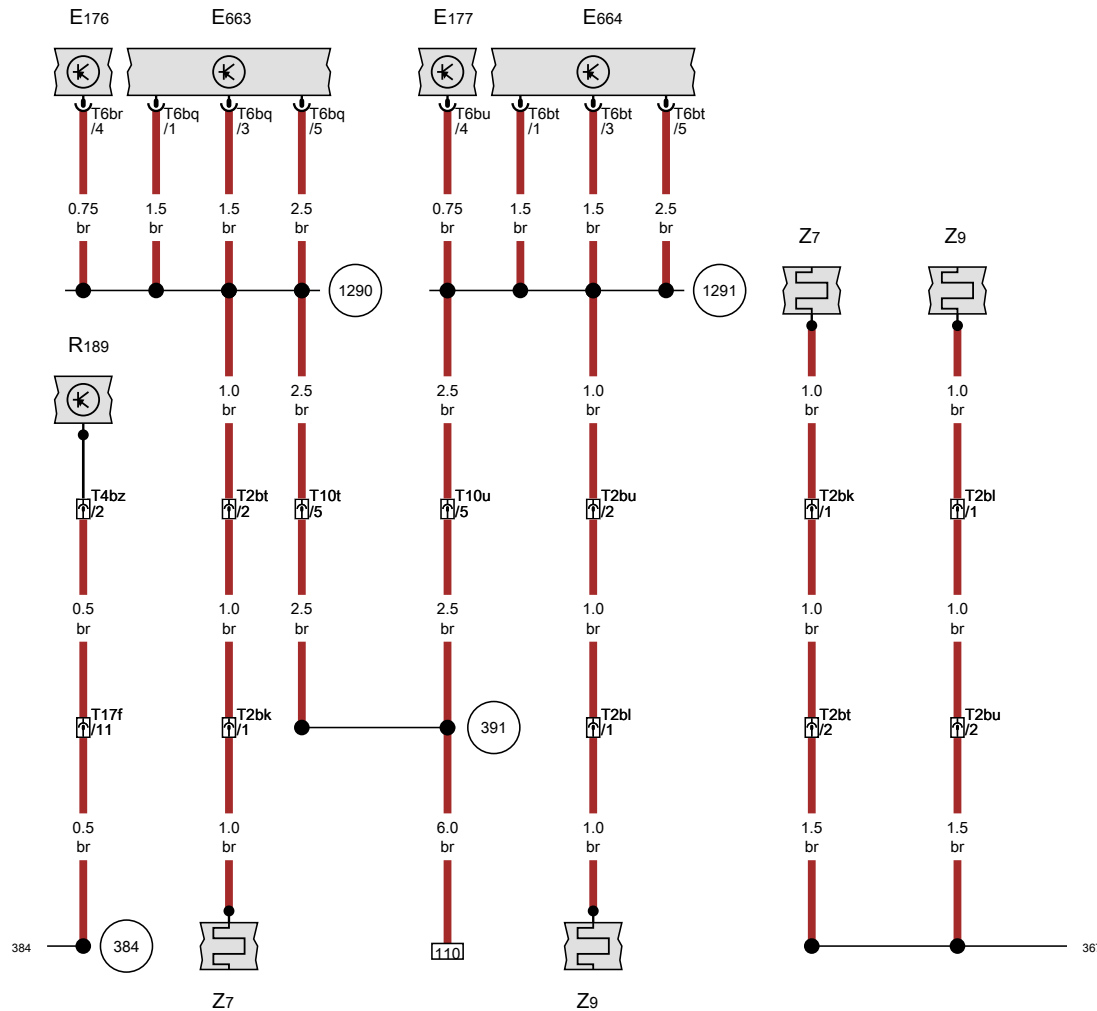
- J386 Driver door control unit
- J387 Front passenger door control unit
- J794 Control unit 1 for information electronics
- R Radio
- T8a 8-pin connector, black, in slot for radio, centre of dash panel
- T8d 8-pin connector, black, in slot for radio, centre of dash panel
- T16e 16-pin connector, black
- T16f 16-pin connector, black
- T17c 17-pin connector, white, behind dash panel
- T28a 28-pin connector, black, on left A-pillar
- T28b 28-pin connector, black, on right A-pillar

- 44 Earth point, lower part of left A-pillar
- 267 Earth connection 2, in drive side door wiring harness
- 384 Earth connection 19, in main wiring harness
- 734 Earth point in front left door
- 735 Earth point in front right door
- * For models with electric window regulators
- *2 see applicable current flow diagram for radio system



- ws = white
- sw = black
- ro = red
- rt = red
- br = brown
- gn = green
- bl = blue
- gr = grey
- li = purple
- vi = purple
- ge = yellow
- or = orange
- rs = pink

1560-0670204201



Driver seat lumbar support adjustment switch, Front passenger seat lumbar support adjustment switch, Switch module for driver seat, Switch module for front passenger seat, Reversing camera

- E176 Driver seat lumbar support adjustment switch
- E177 Front passenger seat lumbar support adjustment switch
- E663 Switch module for driver seat
- E664 Switch module for front passenger seat
- R189 Reversing camera
- T2bk 2-pin connector, black, in seat
- T2bl 2-pin connector, black, in seat
- T2bt 2-pin connector, black, under seat on front left
- T2bu 2-pin connector, black, under seat on front right
- T4bz 4-pin connector, black, on longitudinal member, rear, left
- T6bq 6-pin connector, black
- T6br 6-pin connector, black
- T6bt 6-pin connector, black
- T6bu 6-pin connector, black
- T10t 10-pin connector, black, under driver seat
- T10u 10-pin connector, black, under front passenger seat
- T17f 17-pin connector, blue, near handbrake lever
- Z7 Heated backrest for driver seat
- Z9 Heated backrest for front passenger seat

- 367 Earth connection 2, in main wiring harness
- 384 Earth connection 19, in main wiring harness
- 391 Earth connection 26, in main wiring harness
- 1290 Earth connection 1, in front left seat wiring harness
- 1291 Earth connection 1, in front right seat wiring harness

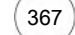
- ws = white
- sw = black
- ro = red
- rt = red
- br = brown
- gn = green
- bl = blue
- gr = grey
- li = purple
- vi = purple
- ge = yellow
- or = orange
- rs = pink

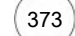
15 16 17 18 19 20 21 22 23 24 25 26 27 28

1560-0670304201

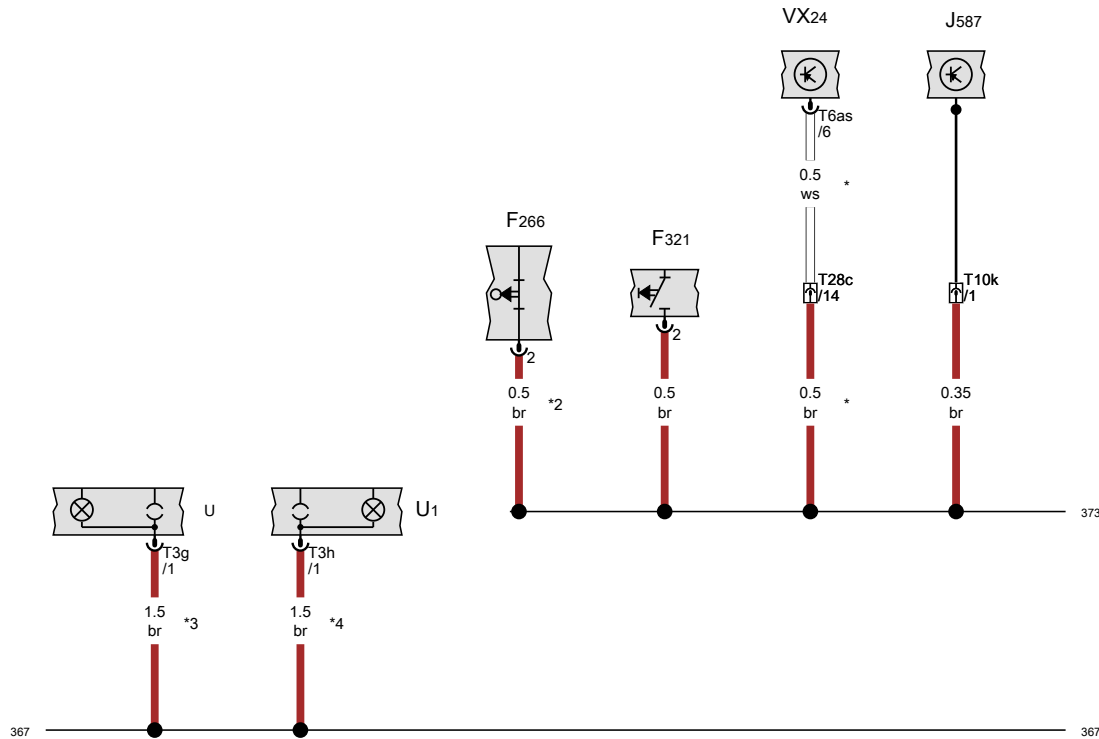
Bonnet contact switch, Parking brake contact switch, Selector lever sensors control unit, Electric socket, Cigarette lighter, Rear right door lock unit

- F266 Bonnet contact switch
- F321 Parking brake contact switch
- J587 Selector lever sensors control unit
- T3g 3-pin connector, transparent
- T3h 3-pin connector, transparent
- T6as 6-pin connector, black
- T10k 10-pin connector, black, in centre console, near handbrake lever
- T28c 28-pin connector, black, on right B-pillar
- U Electric socket, on centre console switch module
- U1 Cigarette lighter, on centre console switch module
- VX24 Rear right door lock unit

 367 Earth connection 2, in main wiring harness

 373 Earth connection 8, in main wiring harness

- * For models with double cab
- *2 According to equipment
- *3 For models with 12 V socket
- *4 For smoker version models



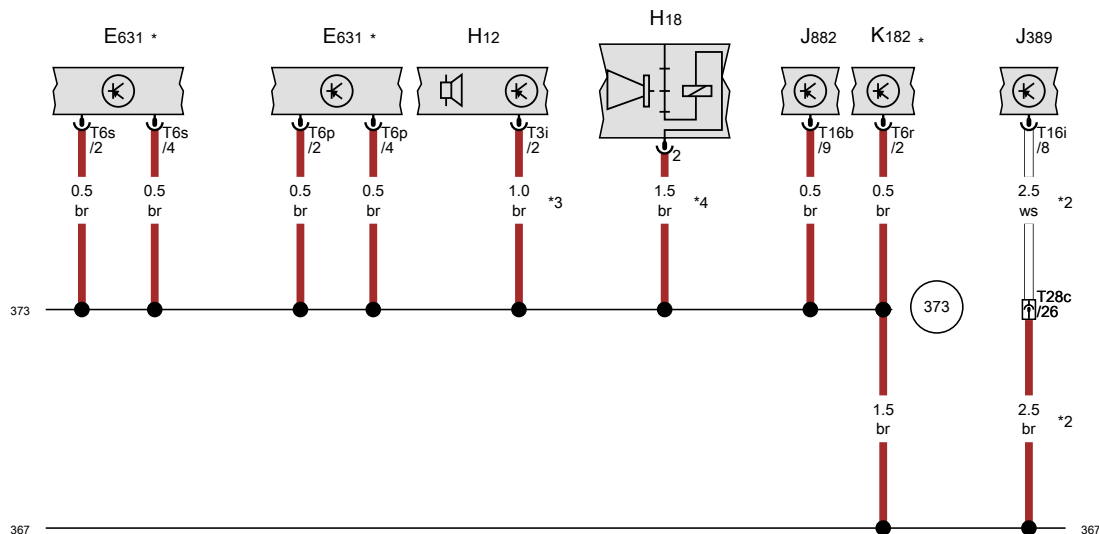
- ws = white
- sw = black
- ro = red
- rt = red
- br = brown
- gn = green
- bl = blue
- gr = grey
- li = purple
- vi = purple
- ge = yellow
- or = orange
- rs = pink

29 30 31 32 33 34 35 36 37 38 39 40 41 42

[S60-067040420]

Running gear program switch, Alarm horn, Rear right door control unit, Seat heating control unit, Reduction gearing warning lamp in transfer box operating unit

- E631 Running gear program switch, in centre console
- H12 Alarm horn
- H18 Alarm system horn
- J389 Rear right door control unit
- J882 Seat heating control unit
- K182 Reduction gearing warning lamp in transfer box operating unit, in centre console
- T3i 3-pin connector, black
- T6p 6-pin connector, black
- T6r 6-pin connector, brown
- T6s 6-pin connector, grey
- T16b 16-pin connector, black
- T16i 16-pin connector, black
- T28c 28-pin connector, black, on right B-pillar



367 Earth connection 2, in main wiring harness

373 Earth connection 8, in main wiring harness

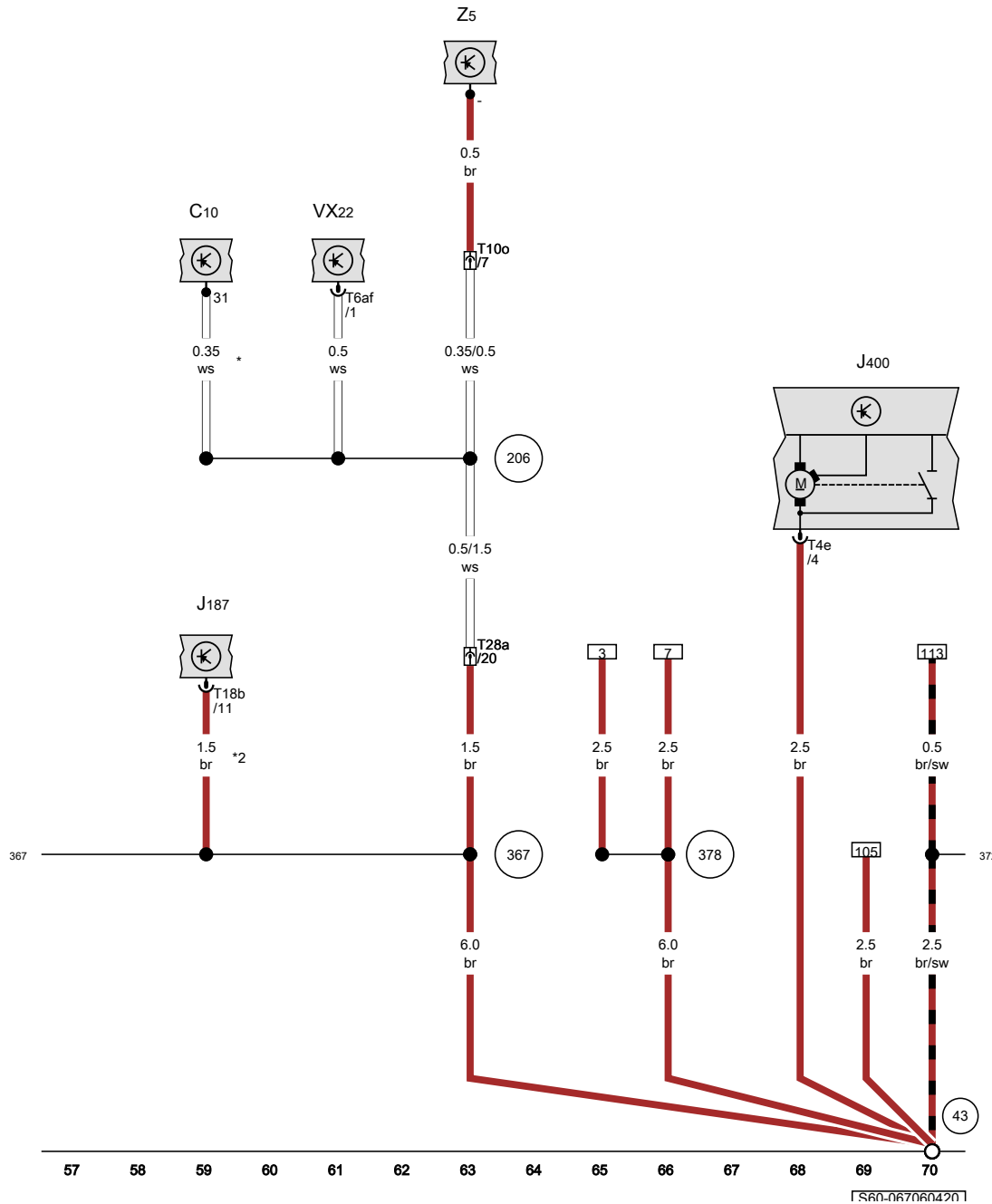
- * For models with all-wheel drive
- *2 For models with double cab
- *3 For models with alarm horn
- *4 For models with no alarm horn

- ws = white
- sw = black
- ro = red
- rt = red
- br = brown
- gn = green
- bl = blue
- gr = grey
- li = purple
- vi = purple
- ge = yellow
- or = orange
- rs = pink

43 44 45 46 47 48 49 50 51 52 53 54 55 56

[S60-067050420]

Suppression filter, Differential lock control unit, Wiper motor control unit, Front passenger door lock unit, Heated exterior mirror on passenger side



- C10 Suppression filter, in left door
- J187 Differential lock control unit, in centre console, near handbrake lever
- J400 Wiper motor control unit
- T4e 4-pin connector, black
- T6af 6-pin connector, black
- T10o 10-pin connector, black, in left door, near exterior mirror
- T18b 18-pin connector, black
- T28a 28-pin connector, black, on left A-pillar
- VX22 Front passenger door lock unit
- Z5 Heated exterior mirror on passenger side

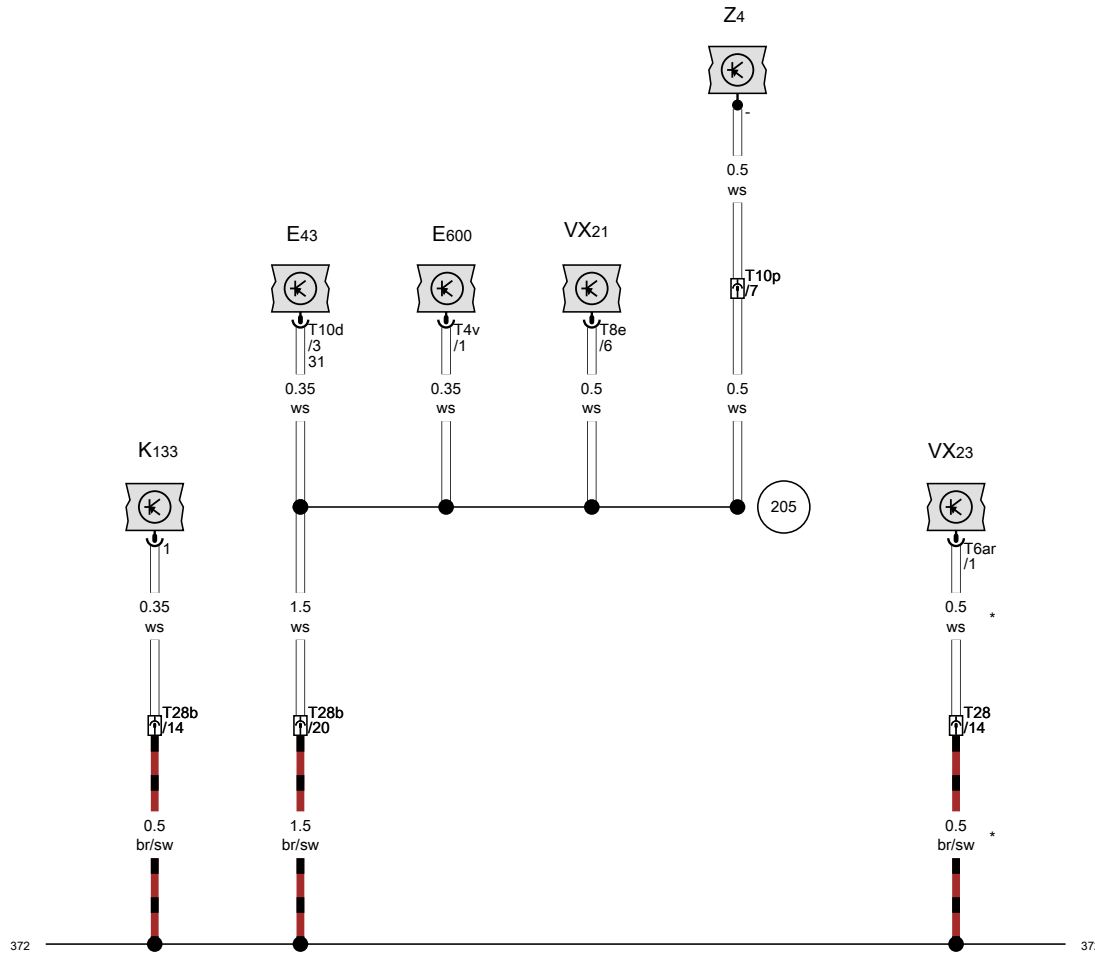
- 43 Earth point, lower part of right A-pillar
- 206 Earth connection, in front passenger door wiring harness
- 367 Earth connection 2, in main wiring harness
- 372 Earth connection 7, in main wiring harness
- 378 Earth connection 13, in main wiring harness

* According to equipment
 *2 For models with rear differential lock

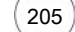
ws = white
 sw = black
 ro = red
 rt = red
 br = brown
 gn = green
 bl = blue
 gr = grey
 li = purple
 vi = purple
 ge = yellow
 or = orange
 rs = pink

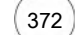
1S60-0670604201

Mirror adjustment switch, Central locking button, Central locking SAFELOCK function warning lamp, Rear left door lock unit, Heated exterior mirror on driver side



- E43 Mirror adjustment switch, in driver door
- E600 Central locking button, in driver door
- K133 Central locking SAFELOCK function warning lamp
- T4v 4-pin connector, black
- T6ar 6-pin connector, black
- T8e 8-pin connector, black
- T10d 10-pin connector, black
- T10p 10-pin connector, black, in right door, near exterior mirror
- T28 28-pin connector, black, on left B-pillar
- T28b 28-pin connector, black, on right A-pillar
- VX21 Driver door lock unit
- VX23 Rear left door lock unit
- Z4 Heated exterior mirror on driver side

 Earth connection, in driver door wiring harness

 Earth connection 7, in main wiring harness

* For models with double cab

- ws = white
- sw = black
- ro = red
- rt = red
- br = brown
- gn = green
- bl = blue
- gr = grey
- li = purple
- vi = purple
- ge = yellow
- or = orange
- rs = pink

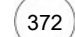
71 72 73 74 75 76 77 78 79 80 81 82 83 84

[S60-067070420]

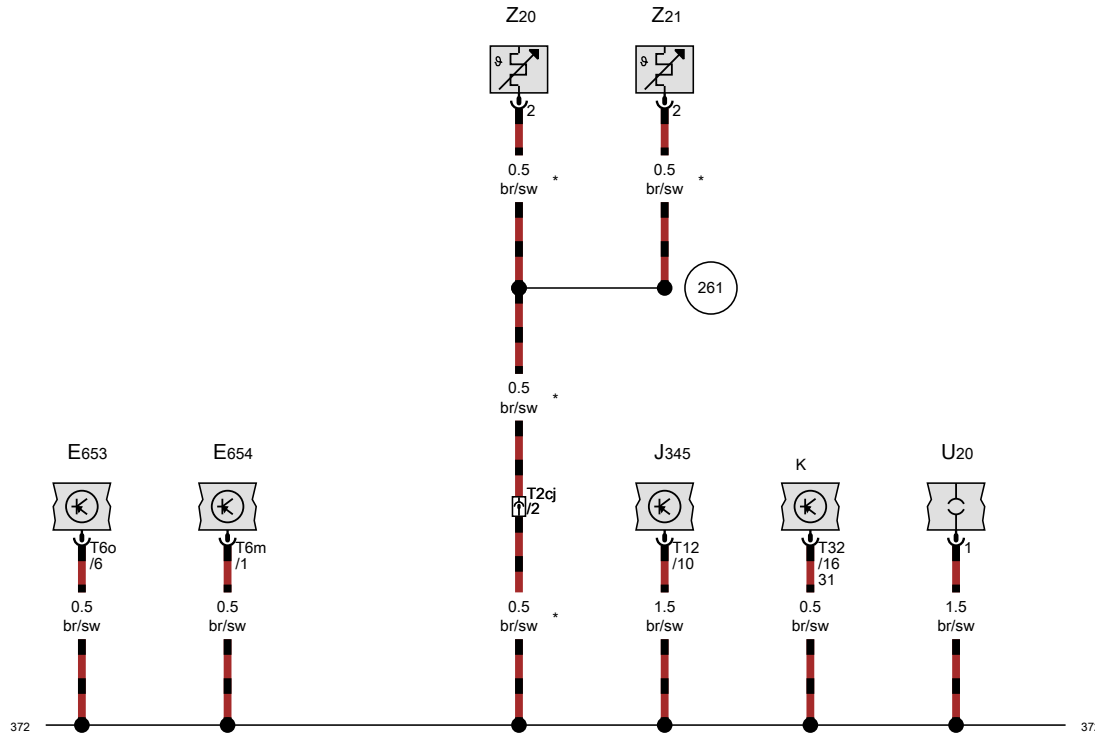
Button for left seat heating, Button for right seat heating, Trailer detector control unit, Dash panel insert, 12 V socket 4, Left washer jet heater element

- E653 Button for left seat heating
- E654 Button for right seat heating
- J345 Trailer detector control unit
- K Dash panel insert
- T2cj 2-pin connector, black, near window wiper motor
- T6m 6-pin connector, white
- T6o 6-pin connector, white
- T12 12-pin connector, red
- T32 32-pin connector, blue
- U20 12 V socket 4
- Z20 Left washer jet heater element
- Z21 Right washer jet heater element

 261 Earth connection, in heated washer jet wiring harness

 372 Earth connection 7, in main wiring harness

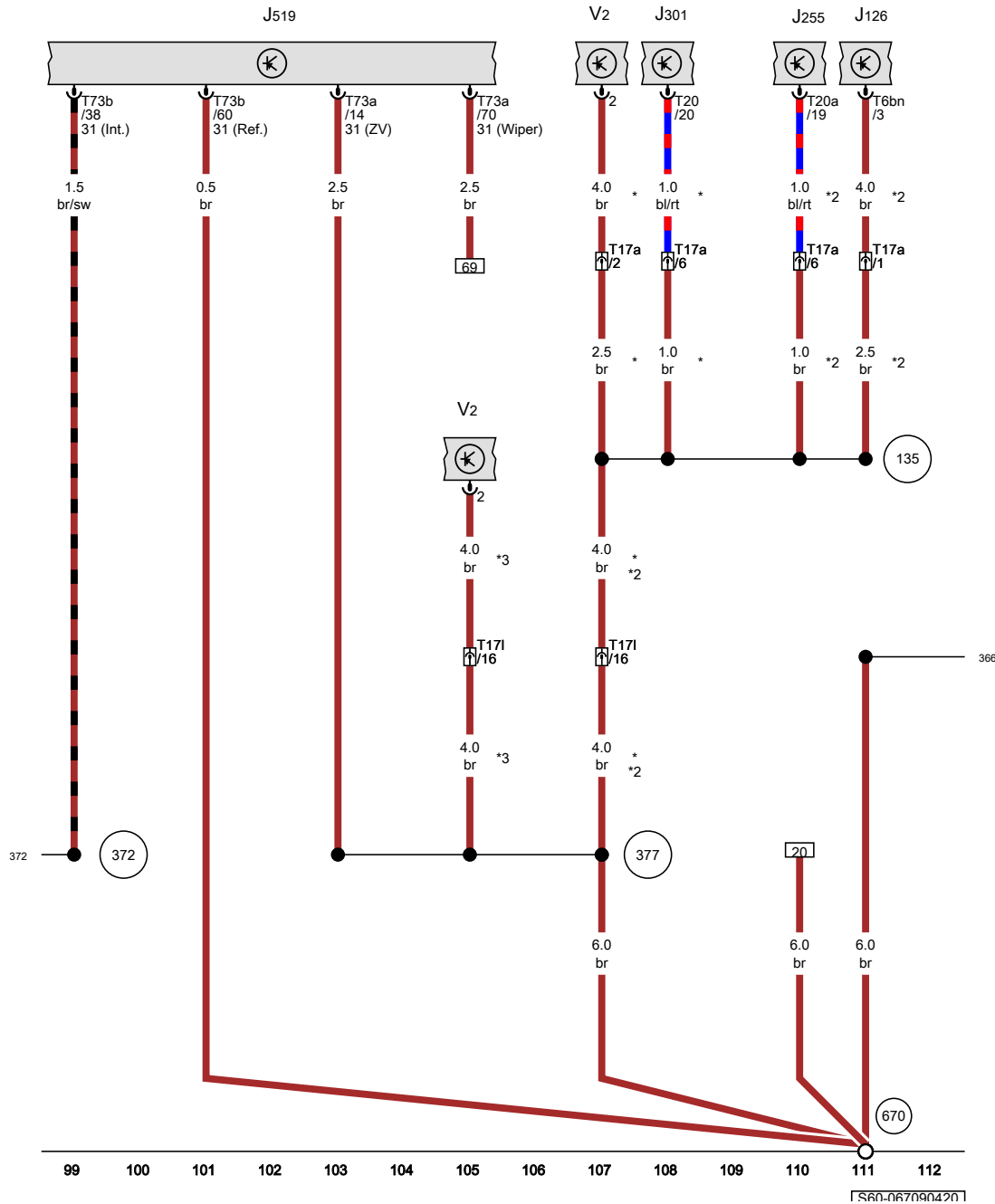
* For models with heated washer jets



- ws = white
- sw = black
- ro = red
- rt = red
- br = brown
- gn = green
- bl = blue
- gr = grey
- li = purple
- vi = purple
- ge = yellow
- or = orange
- rs = pink

85 86 87 88 89 90 91 92 93 94 95 96 97 98

[S60-067080420]



Fresh air blower control unit, Climatronic control unit, Air conditioning system control unit, Fresh air blower

- J126 Fresh air blower control unit
- J255 Climatronic control unit, in centre of dash panel
- J301 Air conditioning system control unit
- J519 Onboard supply control unit
- T6bn 6-pin connector, black
- T17a 17-pin connector, black, behind glove compartment
- T171 17-pin connector, brown, behind dash panel
- T20 20-pin connector, black
- T20a 20-pin connector, black
- T73a 73-pin connector, black
- T73b 73-pin connector, colourless
- V2 Fresh air blower

135 Earth connection 2, in dash panel wiring harness

366 Earth connection 1, in main wiring harness

372 Earth connection 7, in main wiring harness

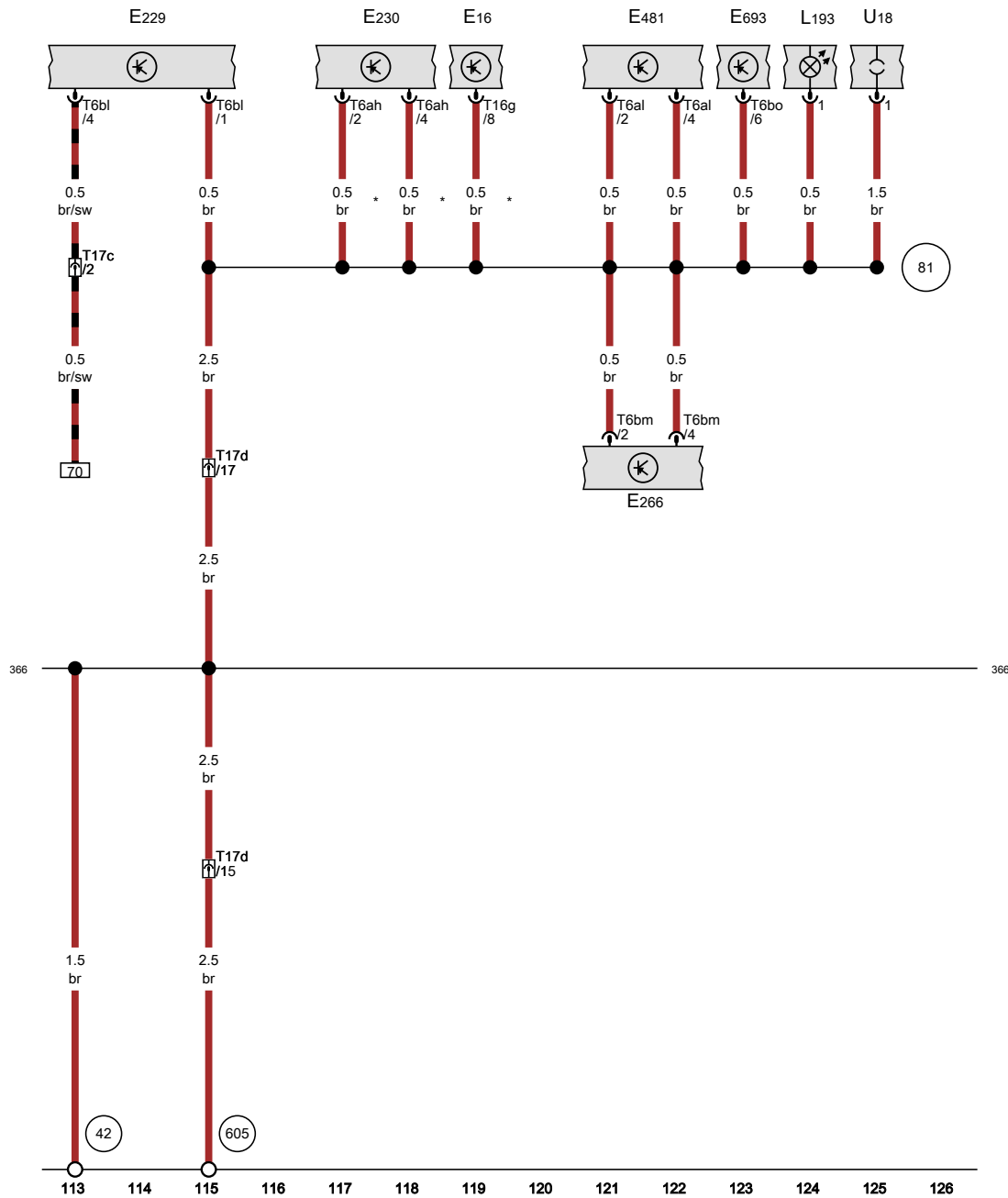
377 Earth connection 12, in main wiring harness

670 Earth point 2, left A-pillar

- * For models with Climatic
- *2 For models with Climatronic
- *3 For models with no air conditioning system/Climatronic

- ws = white
- sw = black
- ro = red
- rt = red
- br = brown
- gn = green
- bl = blue
- gr = grey
- li = purple
- vi = purple
- ge = yellow
- or = orange
- rs = pink

1S60-0670904201

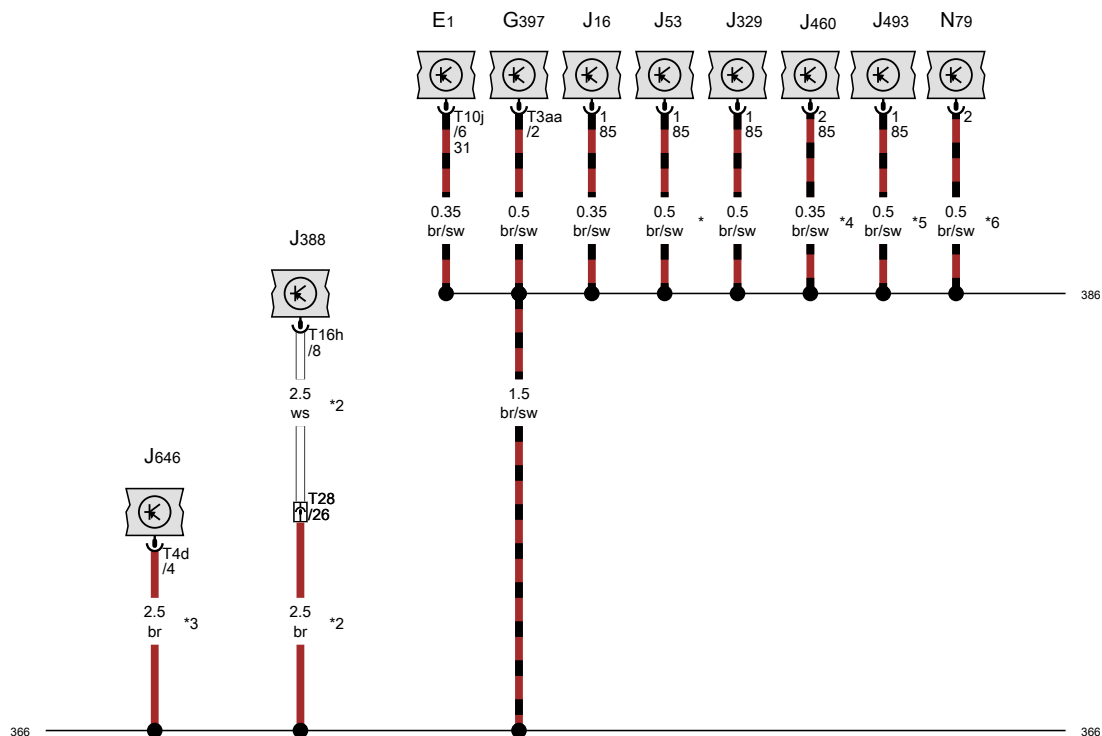


Heater/heat output switch, Hazard warning lights button, Heated rear window button, Parking aid button, Load area illumination switch, Start/Stop operation button, Light 1 for front centre console background lighting, 12 V socket 2

- E16 Heater/heat output switch
- E229 Hazard warning lights button
- E230 Heated rear window button
- E266 Parking aid button
- E481 Load area illumination switch
- E693 Start/Stop operation button
- L193 Light 1 for front centre console background lighting, in centre console, under radio
- T6ah 6-pin connector, near radio
- T6al 6-pin connector, red
- T6bl 6-pin connector, black, near radio
- T6bm 6-pin connector, white
- T6bo 6-pin connector, grey
- T16g 16-pin connector, black
- T17c 17-pin connector, white, behind dash panel
- T17d 17-pin connector, green, behind dash panel
- U18 12 V socket 2, in centre of dash panel, in storage compartment

- 42 Earth point, next to steering column
- 81 Earth connection 1, in dash panel wiring harness
- 366 Earth connection 1, in main wiring harness
- 605 Earth point, on top end of steering column
- * For models with no air conditioning system/Climatronic

- ws = white
- sw = black
- ro = red
- rt = red
- br = brown
- gn = green
- bl = blue
- gr = grey
- li = purple
- vi = purple
- ge = yellow
- or = orange
- rs = pink



Light switch, Rain and light sensor, Current supply relay, Starter motor relay, Terminal 15 voltage supply relay, Rear left door control unit, Alarm system relay 1, Auxiliary coolant heater relay, Transfer box control unit, Heater element for crankcase breather

- E1 Light switch
- G397 Rain and light sensor
- J16 Current supply relay
- J53 Starter motor relay
- J329 Terminal 15 voltage supply relay
- J388 Rear left door control unit
- J460 Alarm system relay 1
- J493 Auxiliary coolant heater relay
- J646 Transfer box control unit
- N79 Heater element for crankcase breather
- T3aa 3-pin connector, black
- T4d 4-pin connector, brown
- T10j 10-pin connector, black
- T16h 16-pin connector, black
- T28 28-pin connector, black, on left B-pillar

366 Earth connection 1, in main wiring harness

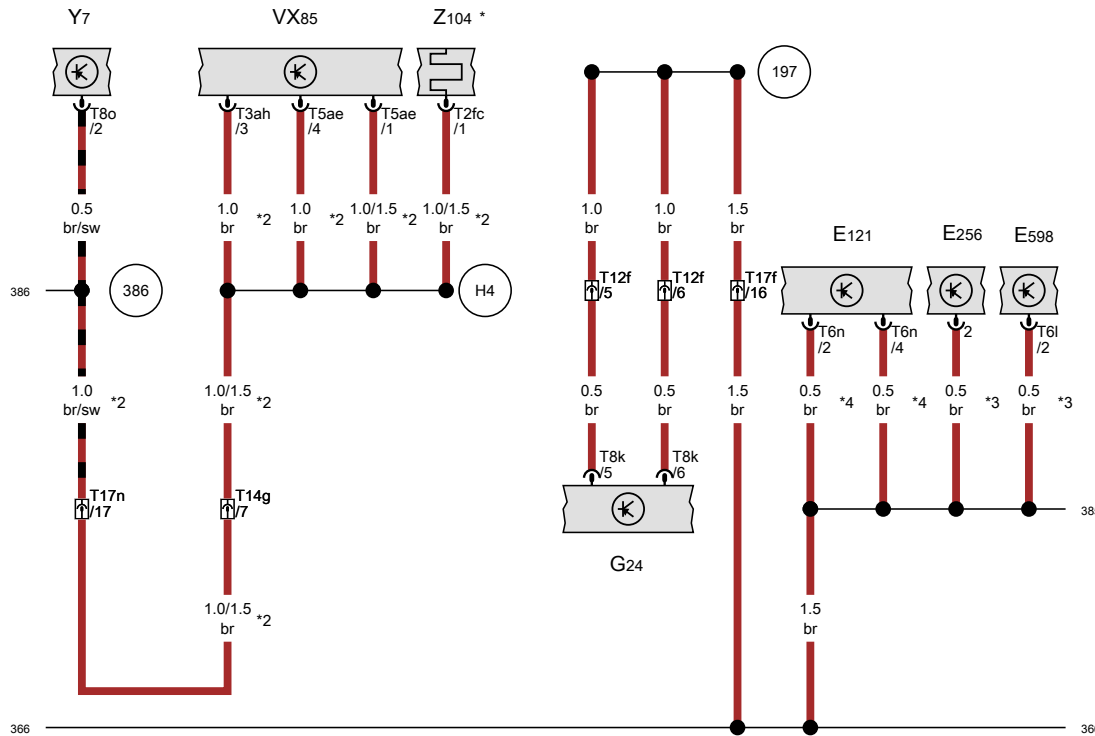
386 Earth connection 21, in main wiring harness

- * For models with no start/stop system
- *2 For models with double cab
- *3 For models with all-wheel drive
- *4 For models with no alarm horn
- *5 see applicable current flow diagram for air conditioning
- *6 For models with crankcase breather heater element

- ws = white
- sw = black
- ro = red
- rt = red
- br = brown
- gn = green
- bl = blue
- gr = grey
- li = purple
- vi = purple
- ge = yellow
- or = orange
- rs = pink

127 128 129 130 131 132 133 134 135 136 137 138 139 140

[S60-067110420]



Rear differential lock switch, Button for TCS and electronic stabilisation program, Driving program button, Tachograph, Reducing agent tank, Automatic anti-dazzle interior mirror, Heater for reducing agent line (heater circuit 2)

- E121 Rear differential lock switch, in centre console
- E256 Button for TCS and electronic stabilisation program
- E598 Driving program button
- G24 Tachograph
- T2fc 2-pin connector, black
- T3ah 3-pin connector, black
- T5ae 5-pin connector, black
- T6l 6-pin connector, red
- T6n 6-pin connector, brown
- T8k 8-pin connector, colourless
- T8o 8-pin connector, black
- T12f 12-pin connector, black, near handbrake lever
- T14g 14-pin connector, grey, rear
- T17f 17-pin connector, blue, near handbrake lever
- T17n 17-pin connector, green, near handbrake lever
- VX85 Reducing agent tank
- Y7 Automatic anti-dazzle interior mirror, on interior mirror
- Z104 Heater for reducing agent line (heater circuit 2)

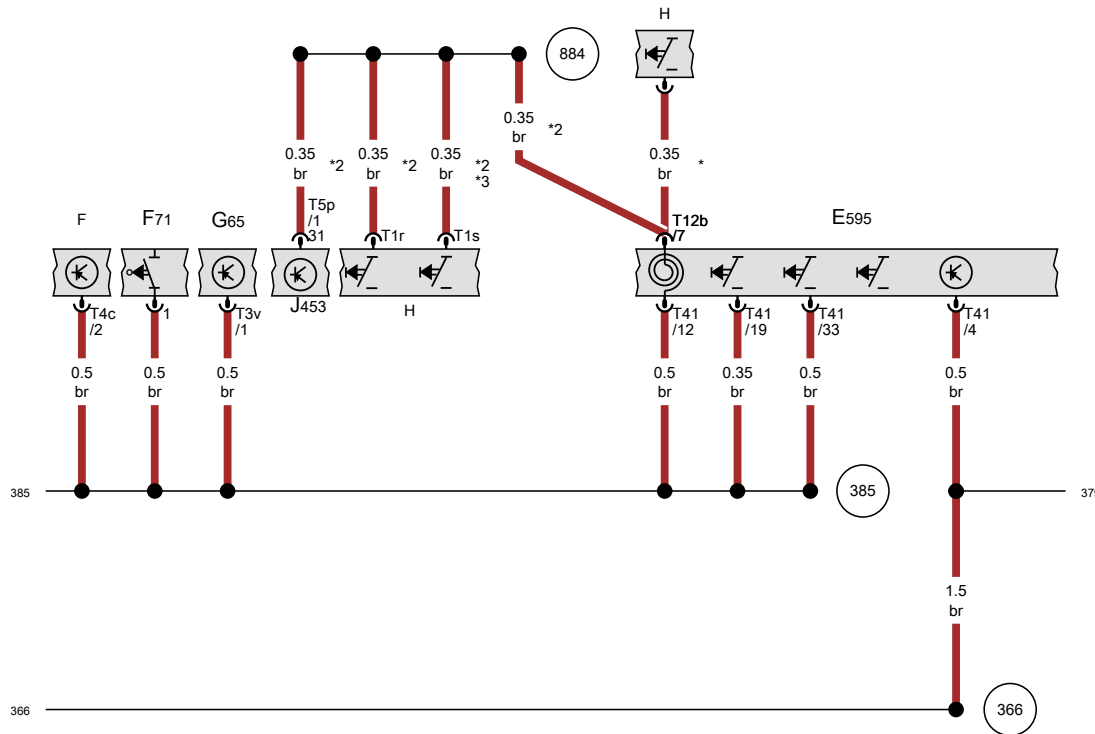
- 197 Earth connection 4, in rear wiring harness
- 366 Earth connection 1, in main wiring harness
- 385 Earth connection 20, in main wiring harness
- 386 Earth connection 21, in main wiring harness
- H4 Connection 2 in wiring harness for reducing agent tank

- * Pre-wired component
- *2 For models with 3.0l engine
- *3 According to equipment
- *4 For models with rear differential lock

- ws = white
- sw = black
- ro = red
- rt = red
- br = brown
- gn = green
- bl = blue
- gr = grey
- li = purple
- vi = purple
- ge = yellow
- or = orange
- rs = pink

141 142 143 144 145 146 147 148 149 150 151 152 153 154

TS60-0671204201



Steering column combination switch, Brake light switch, Clutch pedal switch for stop/start system, High-pressure sender, Horn plate, Multifunction steering wheel control unit

- E595 Steering column combination switch
- F Brake light switch
- F71 Clutch pedal switch for stop/start system
- G65 High-pressure sender
- H Horn plate
- J453 Multifunction steering wheel control unit
- T1r 1-pin connector, black
- T1s 1-pin connector, black
- T3v 3-pin connector, black
- T4c 4-pin connector, black
- T5p 5-pin connector, black
- T12b 12-pin connector, yellow
- T41 41-pin connector, grey

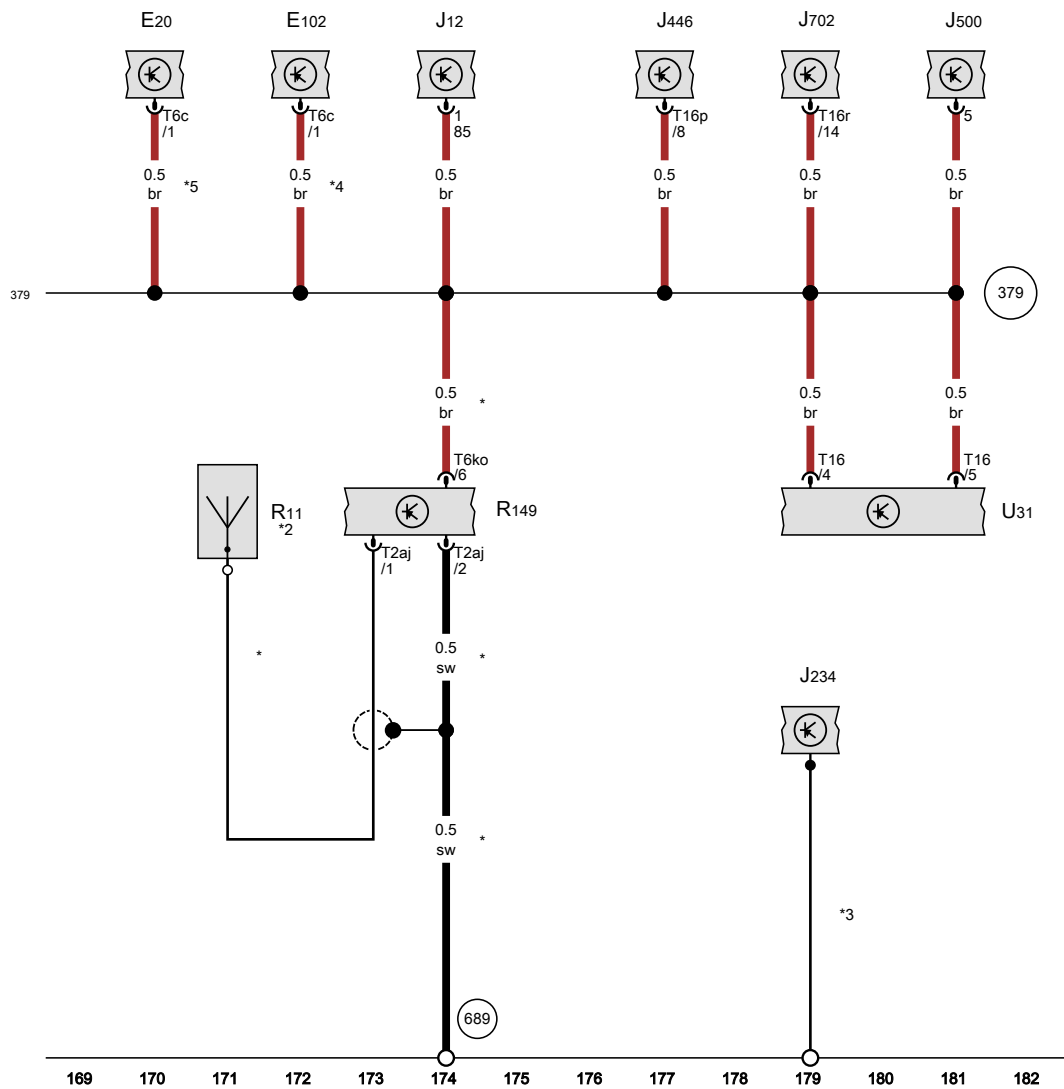
- 366 Earth connection 1, in main wiring harness
- 379 Earth connection 14, in main wiring harness
- 385 Earth connection 20, in main wiring harness
- 884 Earth connection 1 in steering wheel wiring harness
- * For models with no multifunction steering wheel
- *2 For models with multifunction steering wheel
- *3 According to equipment

- ws = white
- sw = black
- ro = red
- rt = red
- br = brown
- gn = green
- bl = blue
- gr = grey
- li = purple
- vi = purple
- ge = yellow
- or = orange
- rs = pink

155 156 157 158 159 160 161 162 163 164 165 166 167 168

[S60-067130420]

Switch and instrument illumination regulator, Headlight range control regulator, Headlight main beam relay, Airbag control unit, Parking aid control unit, Power steering control unit, Roof display unit, Aerial, Remote control receiver for auxiliary coolant heater, Diagnostic connection



- E20 Switch and instrument illumination regulator
- E102 Headlight range control regulator
- J12 Headlight main beam relay
- J234 Airbag control unit, under centre console
- J446 Parking aid control unit, lower part of A-pillar, front passenger side
- J500 Power steering control unit
- J702 Roof display unit, near interior mirror
- R11 Aerial, behind right A-pillar trim
- R149 Remote control receiver for auxiliary coolant heater
- T2aj 2-pin connector, light brown
- T6c 6-pin connector, black
- T6ko 6-pin connector, blue
- T16 16-pin connector, black
- T16p 16-pin connector, brown
- T16r 16-pin connector, black
- U31 Diagnostic connection, near lower part of right A-pillar

379 Earth connection 14, in main wiring harness

689 Earth point, at front, central in roof

- * For models with remote control receiver for auxiliary coolant heater
- *2 Wiring open end
- *3 Earth supply via housing
- *4 For models with headlight range control
- *5 For models with dimmable instrument illumination

- ws = white
- sw = black
- ro = red
- rt = red
- br = brown
- gn = green
- bl = blue
- gr = grey
- li = purple
- vi = purple
- ge = yellow
- or = orange
- rs = pink

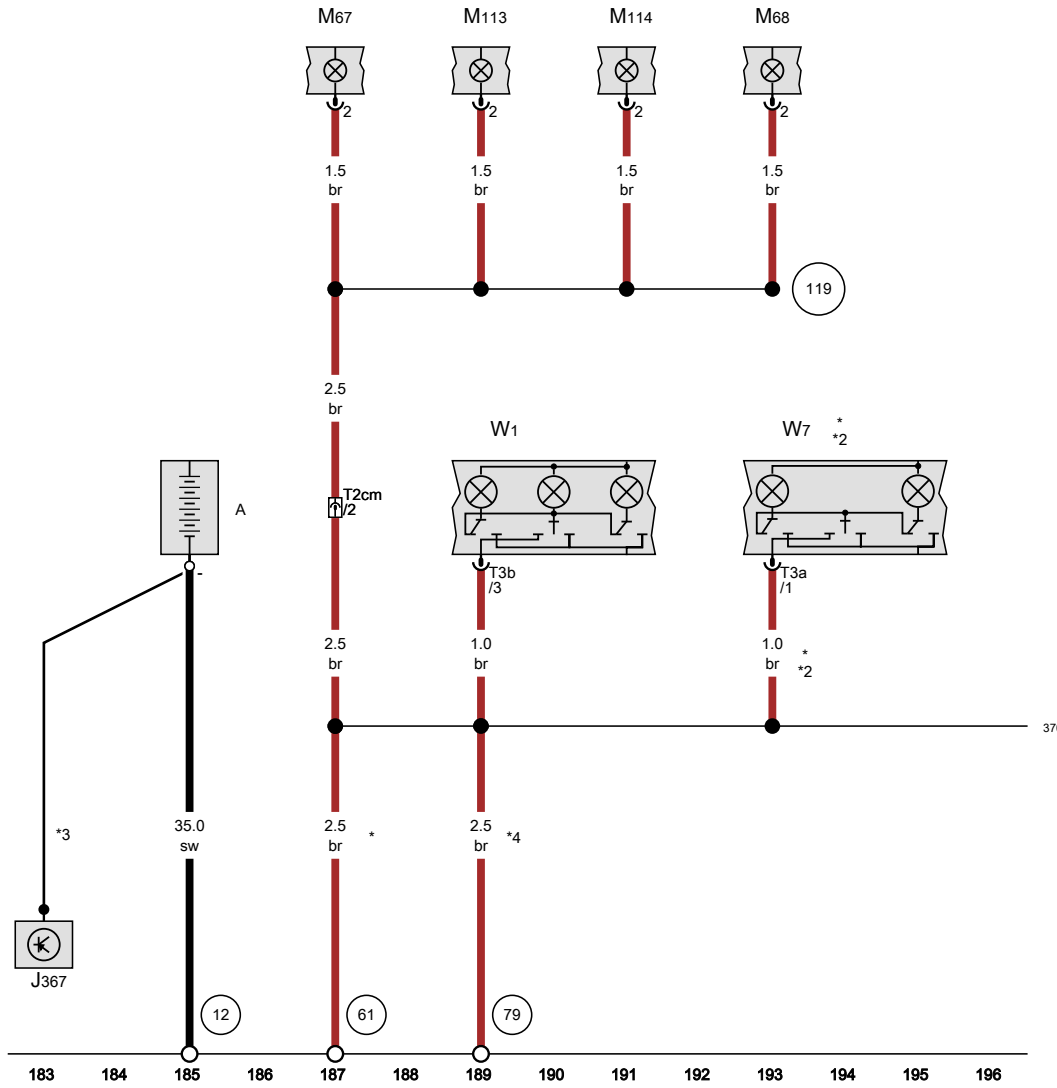
1S60-0671404201

Battery, Battery monitor control unit, Left additional main beam bulb, Right additional main beam bulb, Centre left additional main beam bulb, Centre right additional main beam bulb, Front interior light, Centre interior light

- A Battery
- J367 Battery monitor control unit
- M67 Left additional main beam bulb
- M68 Right additional main beam bulb
- M113 Centre left additional main beam bulb
- M114 Centre right additional main beam bulb
- T2cm 2-pin connector, black
- T3a 3-pin connector, black
- T3b 3-pin connector, black
- W1 Front interior light
- W7 Centre interior light

- 12 Earth point, on left in engine compartment
- 61 Earth point, left C-pillar
- 79 Earth point on left B-pillar
- 119 Earth connection 1, in headlight wiring harness
- 370 Earth connection 5, in main wiring harness

- * For models with double cab
- *2 For models with Highline equipment
- *3 For models with start/stop system
- *4 For models with single cab



- ws = white
- sw = black
- ro = red
- rt = red
- br = brown
- gn = green
- bl = blue
- gr = grey
- li = purple
- vi = purple
- ge = yellow
- or = orange
- rs = pink

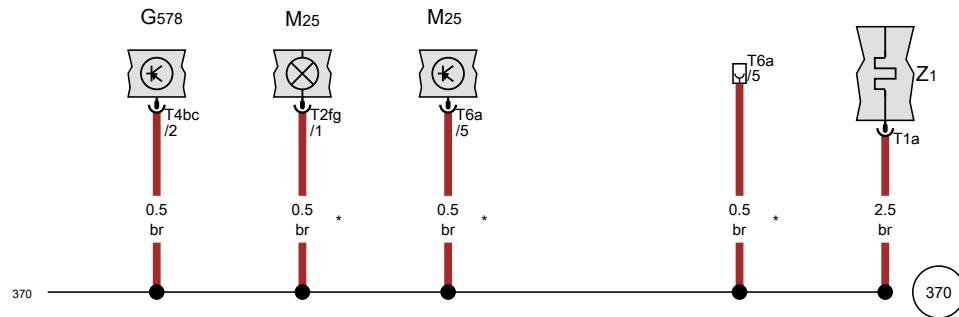
[S60-067150420]

Anti-theft alarm sensor, High-level brake light bulb, Heated rear window

- G578 Anti-theft alarm sensor
- M25 High-level brake light bulb
- T1a 1-pin connector, black
- T2fg 2-pin connector, black
- T4bc 4-pin connector, brown
- T6a 6-pin connector, black, on rear roof module
- Z1 Heated rear window

370 Earth connection 5, in main wiring harness

* According to equipment



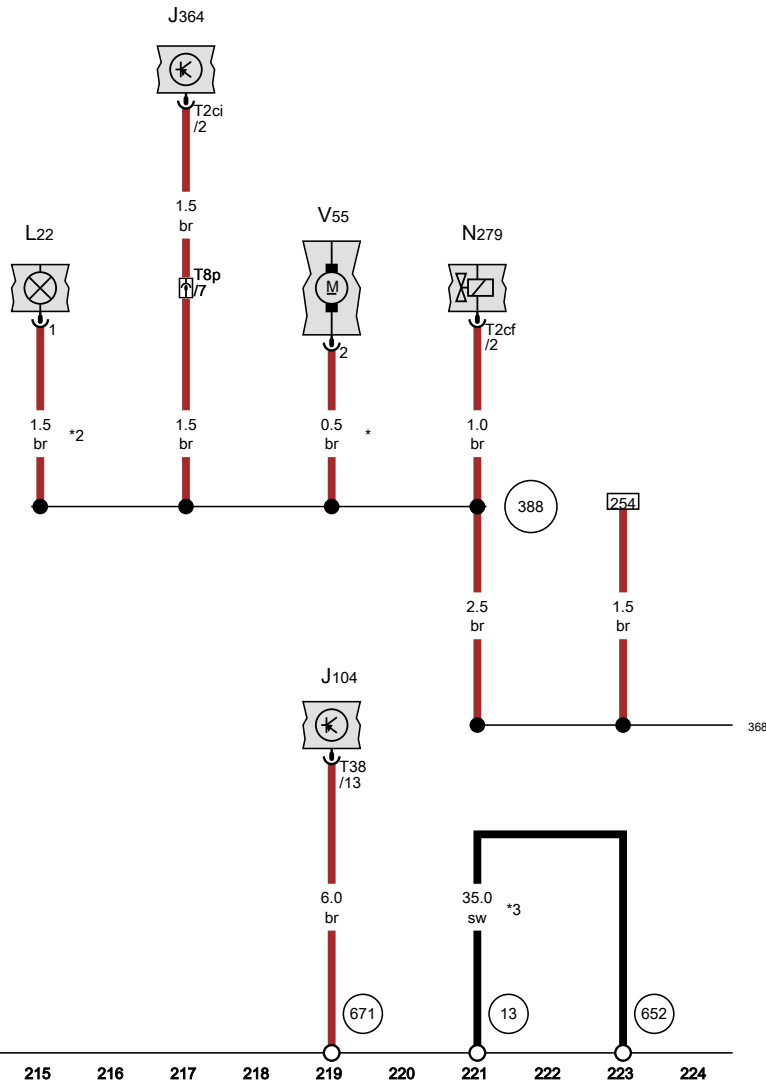
- ws = white
- sw = black
- ro = red
- rt = red
- br = brown
- gn = green
- bl = blue
- gr = grey
- li = purple
- vi = purple
- ge = yellow
- or = orange
- rs = pink

ABS control unit, Auxiliary heater control unit, Left fog light bulb, Heater coolant shut-off valve, Circulation pump

- J104 ABS control unit
- J364 Auxiliary heater control unit
- L22 Left fog light bulb
- N279 Heater coolant shut-off valve, front left in engine compartment
- T2cf 2-pin connector, black
- T2ci 2-pin connector, black
- T8p 8-pin connector, black, near battery
- T38 38-pin connector, black
- V55 Circulation pump

- 13 Earth point, on right in engine compartment
- 368 Earth connection 3, in main wiring harness
- 388 Earth connection 23, in main wiring harness
- 652 Earth point, engine and gearbox earth
- 671 Earth point 1, on front of left longitudinal member

- * see applicable current flow diagram for engine
- *2 For models with fog lights
- *3 For models with 2.0l engine







- ws = white
- sw = black
- ro = red
- rt = red
- br = brown
- gn = green
- bl = blue
- gr = grey
- li = purple
- vi = purple
- ge = yellow
- or = orange
- rs = pink

211 212 213 214 215 216 217 218 219 220 221 222 223 224

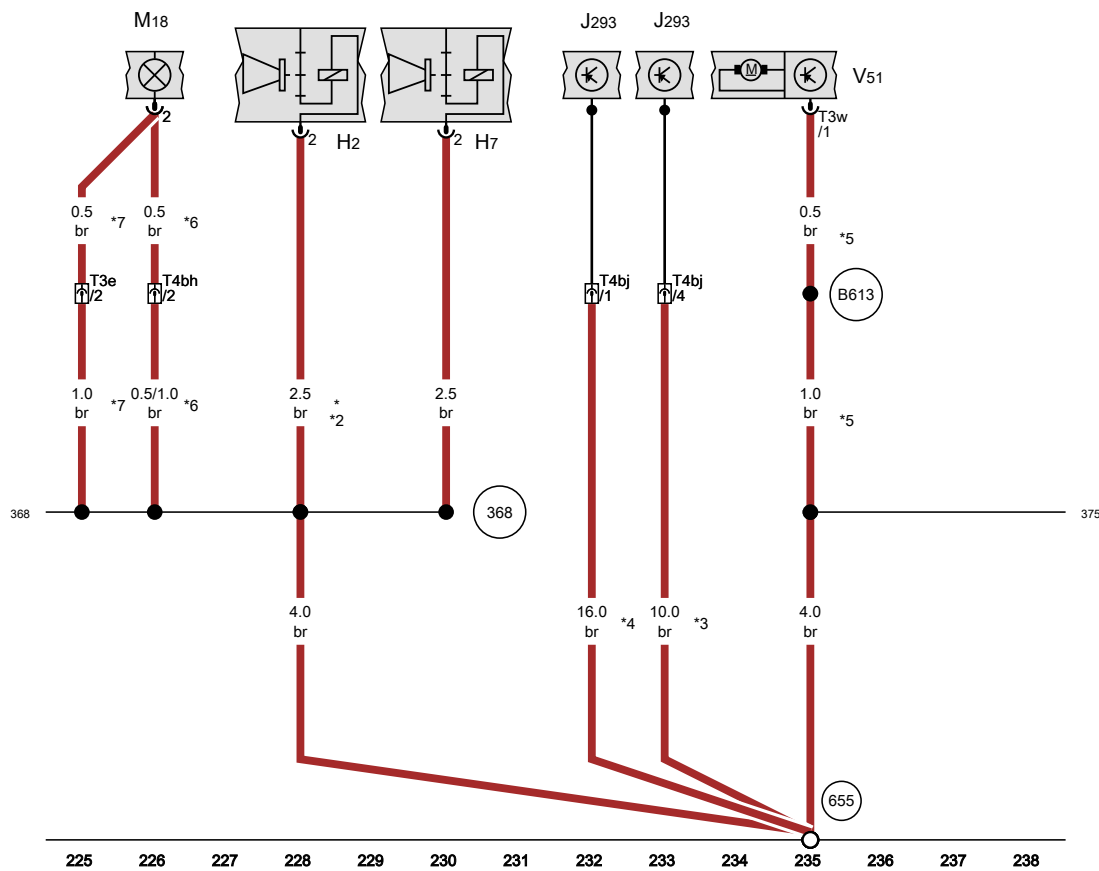
[S60-067170420]

Treble horn, Radiator fan control unit, Left turn signal repeater bulb, Continued coolant circulation pump

- H2 Treble horn
- H7 Bass horn
- J293 Radiator fan control unit
- M18 Left turn signal repeater bulb
- T3e 3-pin connector, black, in rear left of engine compartment
- T3w 3-pin connector, black
- T4bh 4-pin connector, black, in rear left of engine compartment
- T4bj 4-pin connector, black, on radiator cowling
- V51 Continued coolant circulation pump

-  368 Earth connection 3, in main wiring harness
-  375 Earth connection 10, in main wiring harness
-  655 Earth point, on left headlight
-  B613 Connection 41, in main wiring harness

- * For models with Highline equipment
- *2 For models with Trendline equipment
- *3 For models with low fan output
- *4 For models with increased fan output
- *5 For models with Euro 5 emission standard
- *6 For models with provision for side member lighting
- *7 For models with no provision for side member lighting



- ws = white
- sw = black
- ro = red
- rt = red
- br = brown
- gn = green
- bl = blue
- gr = grey
- li = purple
- vi = purple
- ge = yellow
- or = orange
- rs = pink

[S60-067180420]

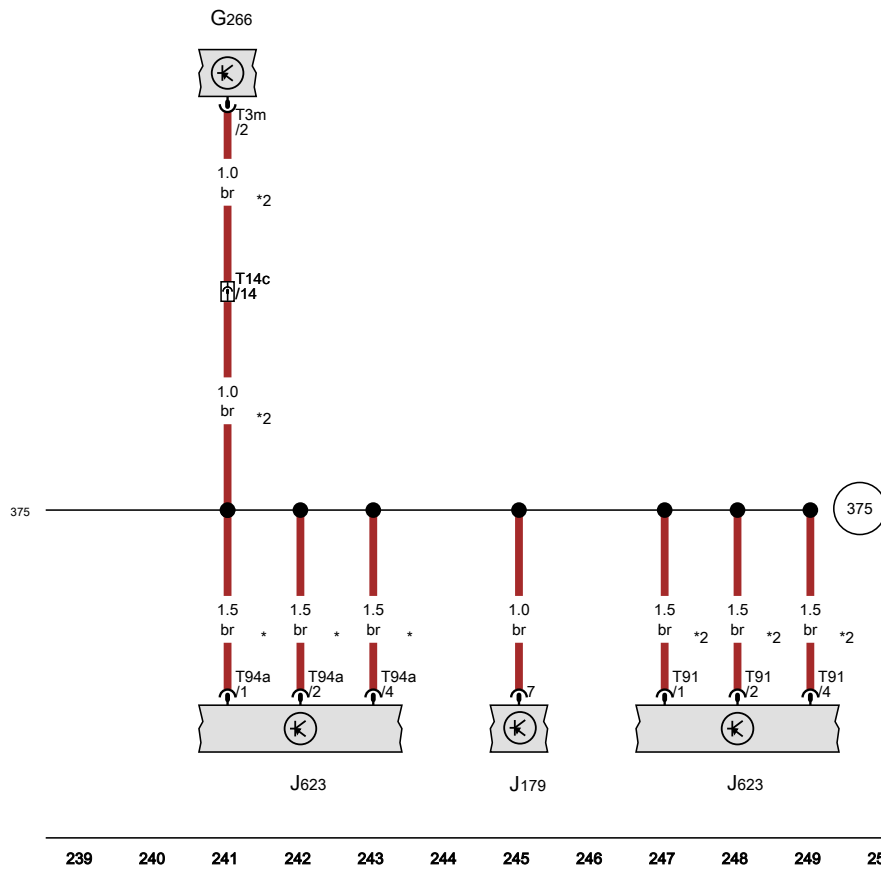
Oil level and oil temperature sender, Automatic glow period control unit, Engine/motor control unit

- G266 Oil level and oil temperature sender
- J179 Automatic glow period control unit
- J623 Engine/motor control unit
- T3m 3-pin connector, black
- T14c 14-pin connector, grey, near battery
- T91 91-pin connector, black
- T94a 94-pin connector, black

375 Earth connection 10, in main wiring harness

* For models with 2.0l engine

*2 For models with 3.0l engine



- ws = white
- sw = black
- ro = red
- rt = red
- br = brown
- gn = green
- bl = blue
- gr = grey
- li = purple
- vi = purple
- ge = yellow
- or = orange
- rs = pink

[S60-067190420]

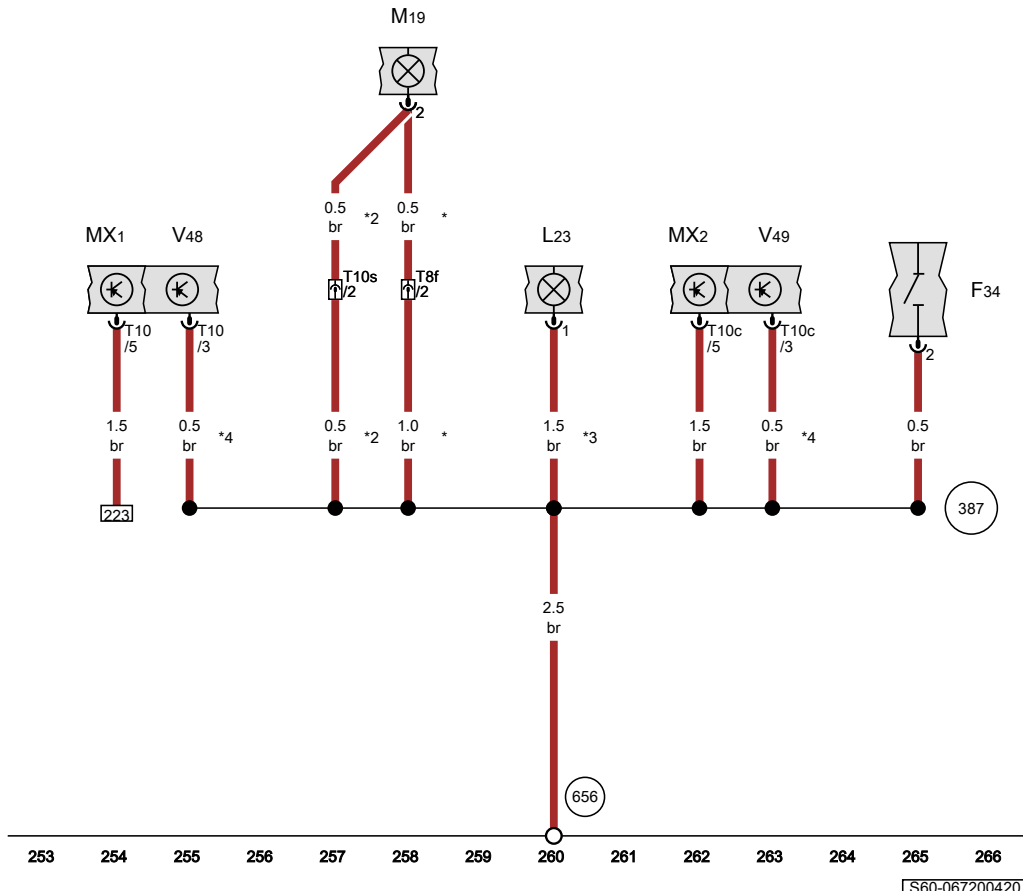
Brake fluid level warning contact, Right fog light bulb, Front left headlight, Front right headlight, Right turn signal repeater bulb, Left headlight range control motor, Right headlight range control motor

- F34 Brake fluid level warning contact
- L23 Right fog light bulb
- MX1 Front left headlight
- MX2 Front right headlight
- M19 Right turn signal repeater bulb
- T8f 8-pin connector, black, in rear right of engine compartment
- T10 10-pin connector, black
- T10c 10-pin connector, black
- T10s 10-pin connector, black, in rear right of engine compartment
- V48 Left headlight range control motor
- V49 Right headlight range control motor

387 Earth connection 22, in main wiring harness

656 Earth point, on right headlight, on right on bulkhead

- * For models with no provision for side member lighting
- *2 For models with provision for side member lighting
- *3 For models with fog lights
- *4 For models with headlight range control



- ws = white
- sw = black
- ro = red
- rt = red
- br = brown
- gn = green
- bl = blue
- gr = grey
- li = purple
- vi = purple
- ge = yellow
- or = orange
- rs = pink

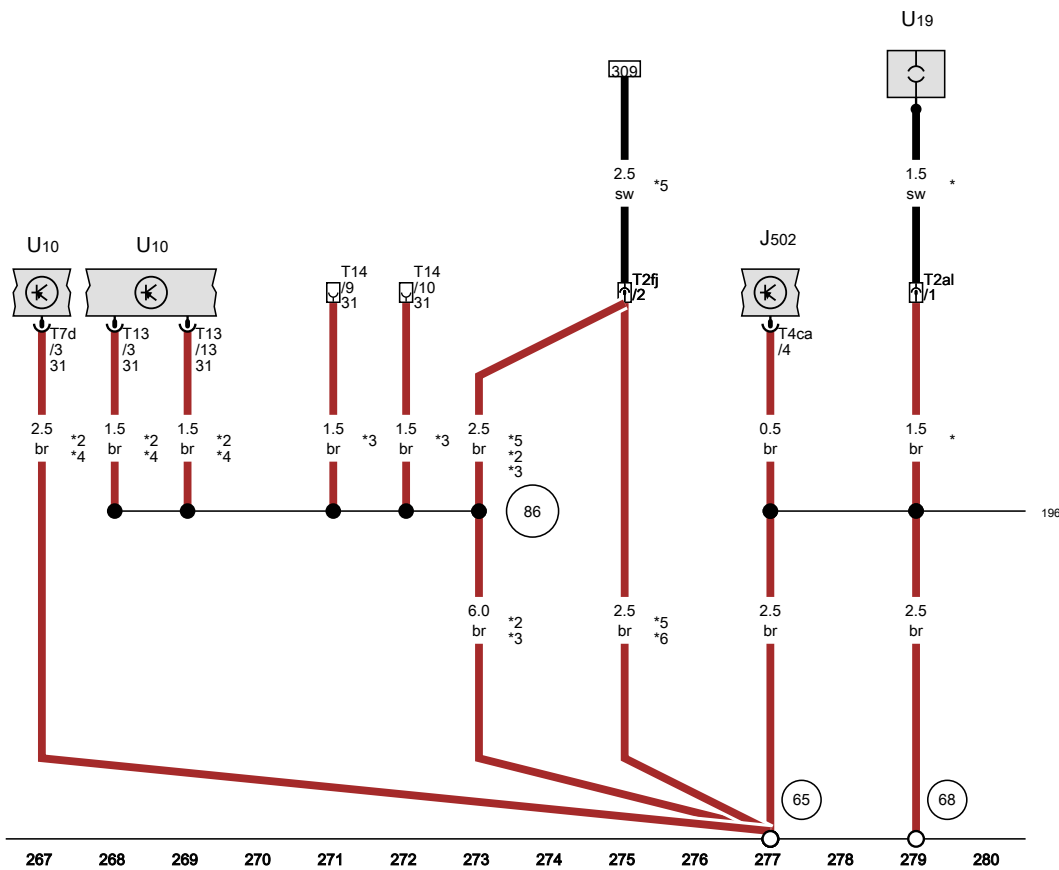
[S60-067200420]

Tyre Pressure Monitoring System control unit, 14-pin connector, Trailer socket, 12 V socket 3

- J502 Tyre Pressure Monitoring System control unit
- T2al 2-pin connector, black, Interface for rear left socket, on wheel housing
- T2fj 2-pin connector, brown, on cross panel, rear, left
- T4ca 4-pin connector, grey
- T7d 7-pin connector, black, on rear skirt
- T13 13-pin connector, black, on rear skirt
- T14 14-pin connector, black, behind rear bumper on left
- U10 Trailer socket
- U19 12 V socket 3, on left wheel housing

- 65 Earth point, on rear of left longitudinal member
- 68 Earth point, on left of rear cross member
- 86 Earth connection 1, in rear wiring harness
- 196 Earth connection 3, in rear wiring harness

- * For models with 12 V socket
- *2 For models with trailer socket
- *3 For models with preparation for trailer coupling
- *4 According to equipment
- *5 For models with hardtop
- *6 For models with no towing bracket



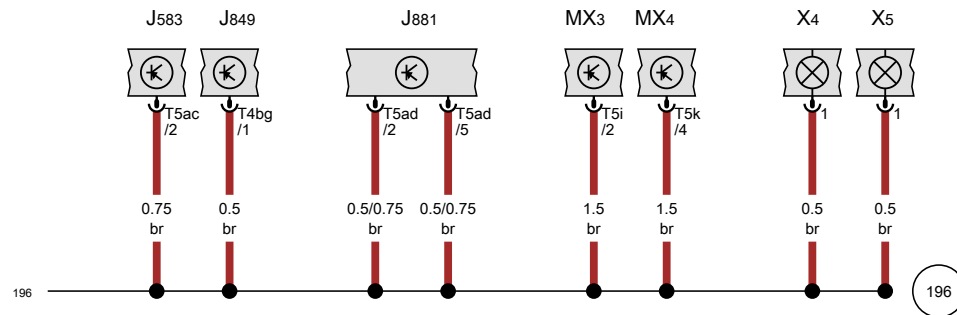
- ws = white
- sw = black
- ro = red
- rt = red
- br = brown
- gn = green
- bl = blue
- gr = grey
- li = purple
- vi = purple
- ge = yellow
- or = orange
- rs = pink

[S60-067210420]

Control unit for NOx sender, Control unit for sensor electronics, Control unit for NOx sender 2, Left tail light cluster, Right tail light cluster, Left number plate light, Right number plate light

- J583 Control unit for NOx sender
- J849 Control unit for sensor electronics
- J881 Control unit for NOx sender 2
- MX3 Left tail light cluster
- MX4 Right tail light cluster
- T4bg 4-pin connector, black
- T5ac 5-pin connector, black
- T5ad 5-pin connector, black
- T5i 5-pin connector, black
- T5k 5-pin connector, black
- X4 Left number plate light
- X5 Right number plate light

196 Earth connection 3, in rear wiring harness



- ws = white
- sw = black
- ro = red
- rt = red
- br = brown
- gn = green
- bl = blue
- gr = grey
- li = purple
- vi = purple
- ge = yellow
- or = orange
- rs = pink

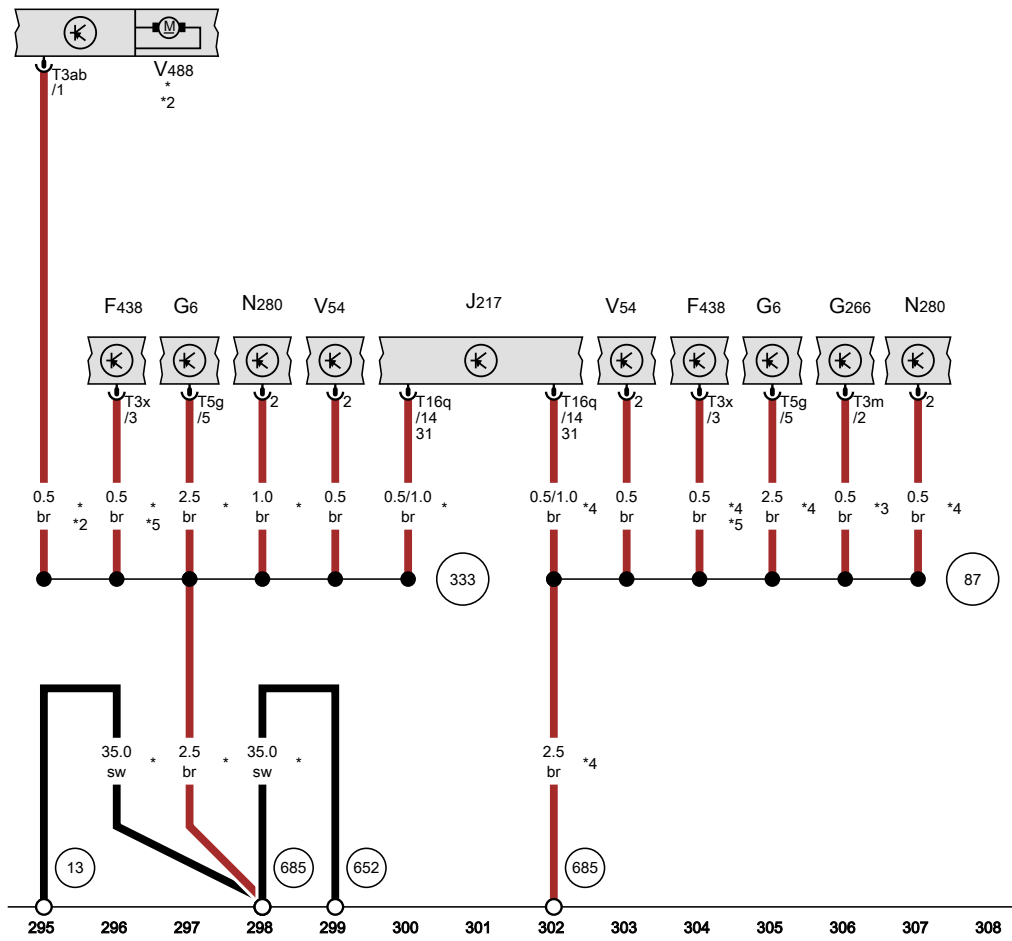
281 282 283 284 285 286 287 288 289 290 291 292 293 294

[S60-067220420]

Transfer box inter-axle lock-up switch, Fuel system pressurisation pump, Oil level and oil temperature sender, Automatic gearbox control unit, Air conditioner compressor regulating valve, Metering pump, Auxiliary pump for heating

- F438 Transfer box inter-axle lock-up switch
- G6 Fuel system pressurisation pump
- G266 Oil level and oil temperature sender
- J217 Automatic gearbox control unit
- N280 Air conditioner compressor regulating valve
- T3ab 3-pin connector, black
- T3m 3-pin connector, black
- T3x 3-pin connector, black
- T5g 5-pin connector, black
- T16q 16-pin connector, black
- V54 Metering pump
- V488 Auxiliary pump for heating, in engine compartment, near right headlight

- 13 Earth point, on right in engine compartment
 - 87 Earth connection 2, in rear wiring harness
 - 333 Earth connection 5, in rear wiring harness
 - 652 Earth point, engine and gearbox earth
 - 685 Earth point 1, on front of right longitudinal member
- * For models with 3.0l engine
 *2 According to equipment
 *3 For models with Euro 5 emission standard
 *4 For models with 2.0l engine
 *5 For models with all-wheel drive





- ws = white
- sw = black
- ro = red
- rt = red
- br = brown
- gn = green
- bl = blue
- gr = grey
- li = purple
- vi = purple
- ge = yellow
- or = orange
- rs = pink

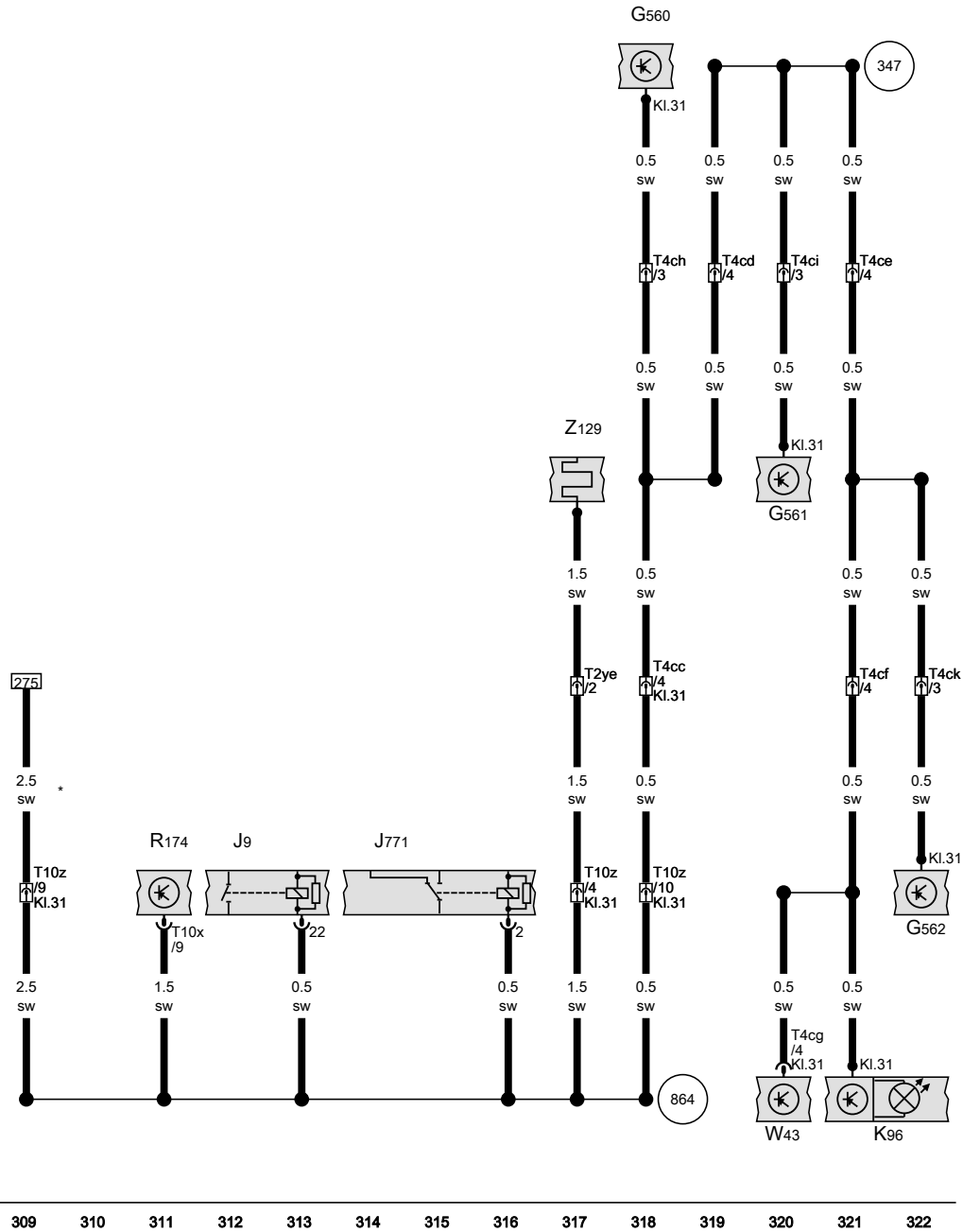
1560-0672304201

Left sender for rear window frame locked, Right sender for rear window frame locked, Sender for rear window frame open, Heated rear window relay, Blocking relay, Warning lamp, Remote control receiver for unlocking armoured vehicle, Rear interior light, Heated rear window for hardtop

- G560 Left sender for rear window frame locked, in left side window
- G561 Right sender for rear window frame locked, in right side window
- G562 Sender for rear window frame open, in rear lid
- J9 Heated rear window relay, in rear part of roof, middle
- J771 Blocking relay, in rear part of roof, middle
- K96 Warning lamp
- R174 Remote control receiver for unlocking armoured vehicle, in rear part of roof, middle
- T2ye 2-pin connector, black, near heated rear window connector
- T4cc 4-pin connector, white, in rear part of roof
- T4cd 4-pin connector, white, in rear part of roof
- T4ce 4-pin connector, white, in rear part of roof
- T4cf 4-pin connector, white, in rear part of roof
- T4cg 4-pin connector, white
- T4ch 4-pin connector, black, in rear part of roof, left
- T4ci 4-pin connector, black, in rear part of roof, right
- T4ck 4-pin connector, black, in rear part of roof, middle
- T10x 10-pin connector, white
- T10z 10-pin connector, black, in rear part of roof, middle
- W43 Rear interior light, in rear part of roof, middle
- Z129 Heated rear window for hardtop

-  347 Earth connection, in roof wiring harness
-  864 Earth connection 1 in special vehicle wiring harness
- * For models with hardtop

- ws = white
- sw = black
- ro = red
- rt = red
- br = brown
- gn = green
- bl = blue
- gr = grey
- li = purple
- vi = purple
- ge = yellow
- or = orange
- rs = pink



1S60-0672404201

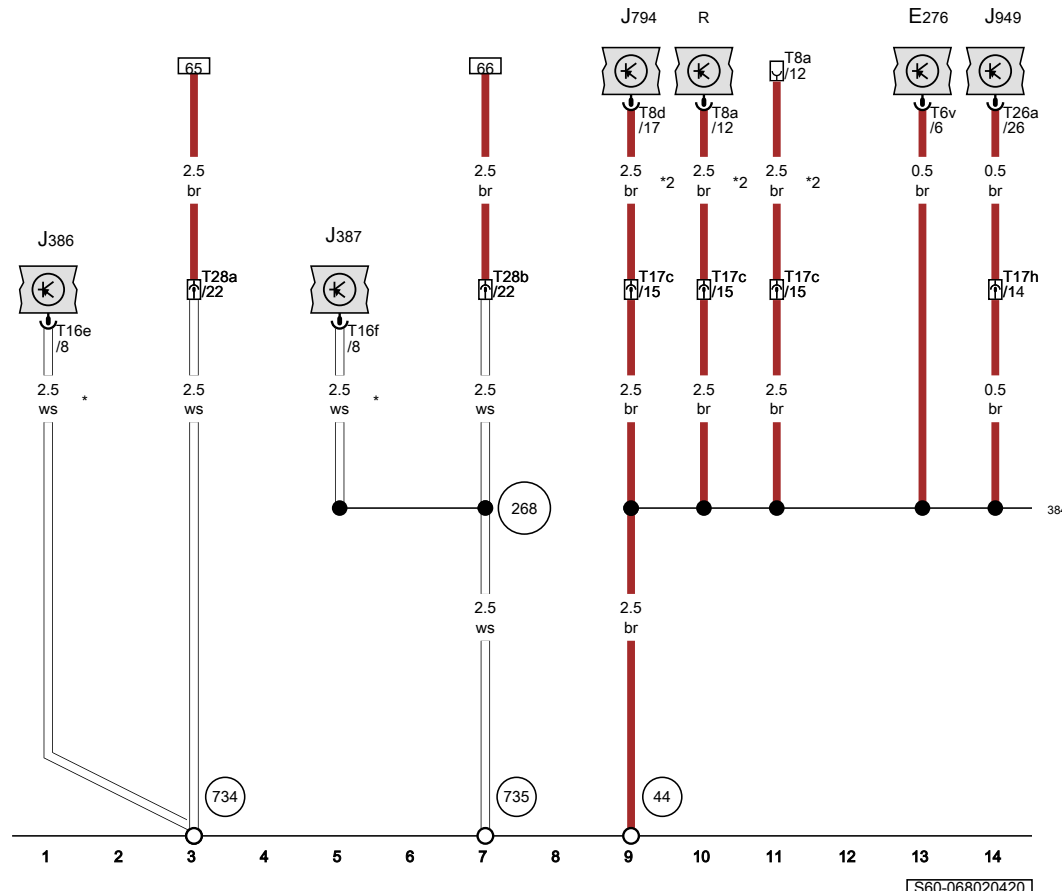
Earthing concept , (L0L)

From August 2018

Emergency assistance call button, Driver door control unit, Front passenger door control unit, Control unit 1 for information electronics, Emergency call module control unit and communication unit, Radio

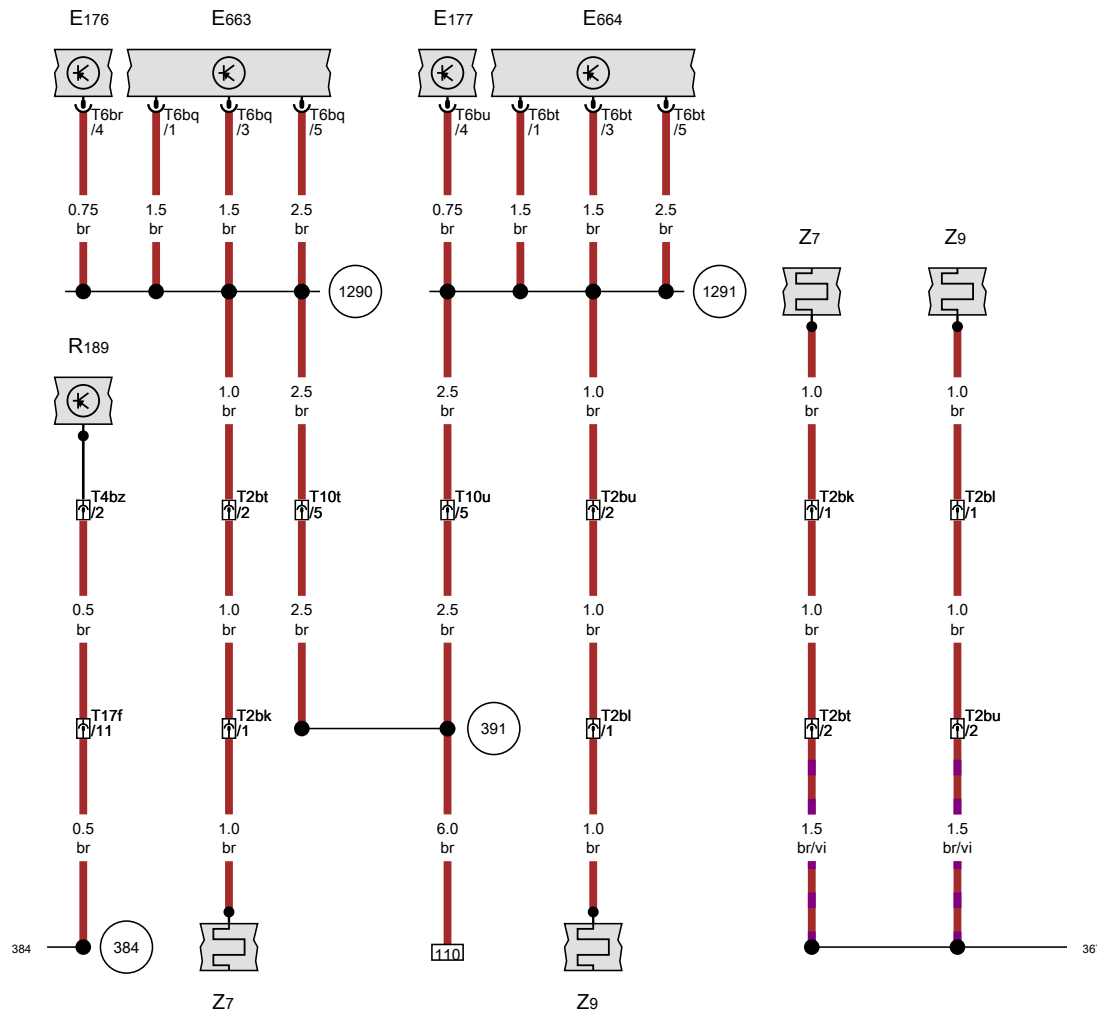
- E276 Emergency assistance call button
- J386 Driver door control unit
- J387 Front passenger door control unit
- J794 Control unit 1 for information electronics
- J949 Emergency call module control unit and communication unit
- R Radio
- T6v 6-pin connector, brown
- T8a 8-pin connector, black, in slot for radio, centre of dash panel
- T8d 8-pin connector, black, in slot for radio, centre of dash panel
- T16e 16-pin connector, black
- T16f 16-pin connector, black
- T17c 17-pin connector, white, behind dash panel
- T17h 17-pin connector, blue, behind dash panel
- T26a 26-pin connector, black
- T28a 28-pin connector, black, on left A-pillar
- T28b 28-pin connector, black, on right A-pillar

- 44 Earth point, lower part of left A-pillar
- 268 Earth connection 2, in front passenger side door wiring harness
- 384 Earth connection 19, in main wiring harness
- 734 Earth point in front left door
- 735 Earth point in front right door
- * For models with electric window regulators
- *2 see applicable current flow diagram for radio system



- ws = white
- sw = black
- ro = red
- rt = red
- br = brown
- gn = green
- bl = blue
- gr = grey
- li = purple
- vi = purple
- ge = yellow
- or = orange
- rs = pink

1560-0680204201



Driver seat lumbar support adjustment switch, Front passenger seat lumbar support adjustment switch, Switch module for driver seat, Switch module for front passenger seat, Reversing camera

- E176 Driver seat lumbar support adjustment switch
- E177 Front passenger seat lumbar support adjustment switch
- E663 Switch module for driver seat
- E664 Switch module for front passenger seat
- R189 Reversing camera
- T2bk 2-pin connector, black, in seat
- T2bl 2-pin connector, black, in seat
- T2bt 2-pin connector, black, under seat on front left
- T2bu 2-pin connector, black, under seat on front right
- T4bz 4-pin connector, black, on longitudinal member, rear, left
- T6bq 6-pin connector, black
- T6br 6-pin connector, black
- T6bt 6-pin connector, black
- T6bu 6-pin connector, black
- T10t 10-pin connector, black, under driver seat
- T10u 10-pin connector, black, under front passenger seat
- T17f 17-pin connector, blue, near handbrake lever
- Z7 Heated backrest for driver seat
- Z9 Heated backrest for front passenger seat

- 367 Earth connection 2, in main wiring harness
- 384 Earth connection 19, in main wiring harness
- 391 Earth connection 26, in main wiring harness
- 1290 Earth connection 1, in front left seat wiring harness
- 1291 Earth connection 1, in front right seat wiring harness

- ws = white
- sw = black
- ro = red
- rt = red
- br = brown
- gn = green
- bl = blue
- gr = grey
- li = purple
- vi = purple
- ge = yellow
- or = orange
- rs = pink

15 16 17 18 19 20 21 22 23 24 25 26 27 28

[S60-068030420]

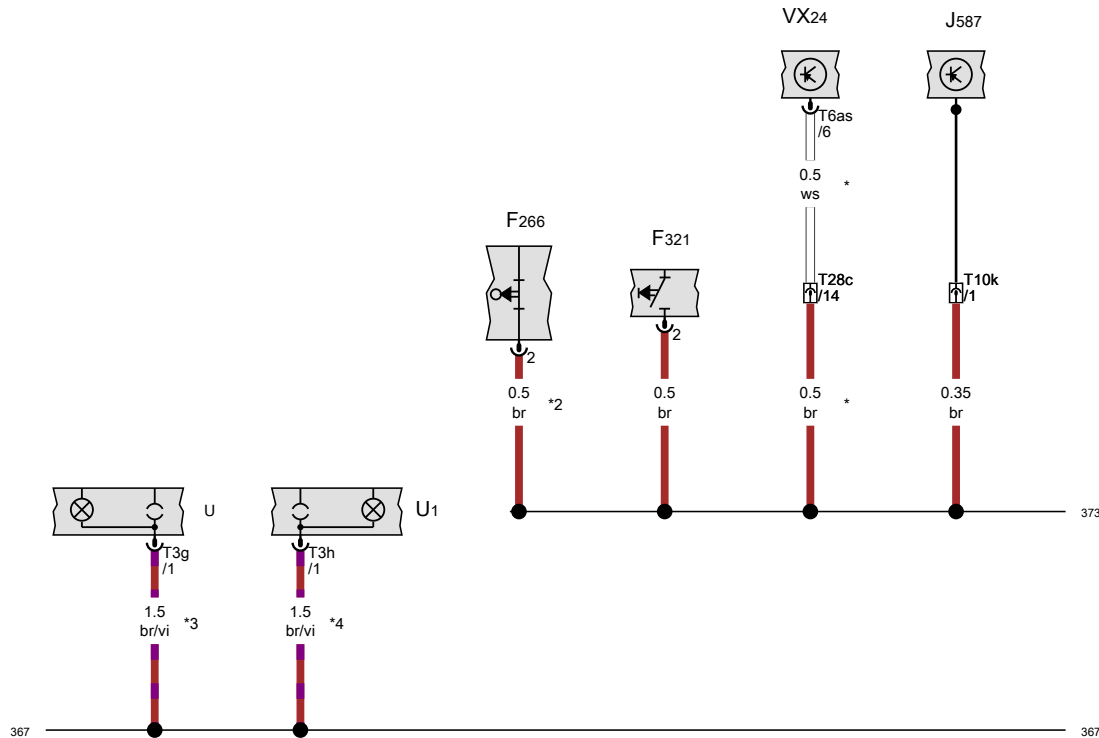
Bonnet contact switch, Parking brake contact switch, Selector lever sensors control unit, Electric socket, Cigarette lighter, Rear right door lock unit

- F266 Bonnet contact switch
- F321 Parking brake contact switch
- J587 Selector lever sensors control unit
- T3g 3-pin connector, transparent
- T3h 3-pin connector, transparent
- T6as 6-pin connector, black
- T10k 10-pin connector, black, in centre console, near handbrake lever
- T28c 28-pin connector, black, on right B-pillar
- U Electric socket, on centre console switch module
- U1 Cigarette lighter, on centre console switch module
- VX24 Rear right door lock unit

367 Earth connection 2, in main wiring harness

373 Earth connection 8, in main wiring harness

- * For models with double cab
- *2 According to equipment
- *3 For models with 12 V socket
- *4 For smoker version models



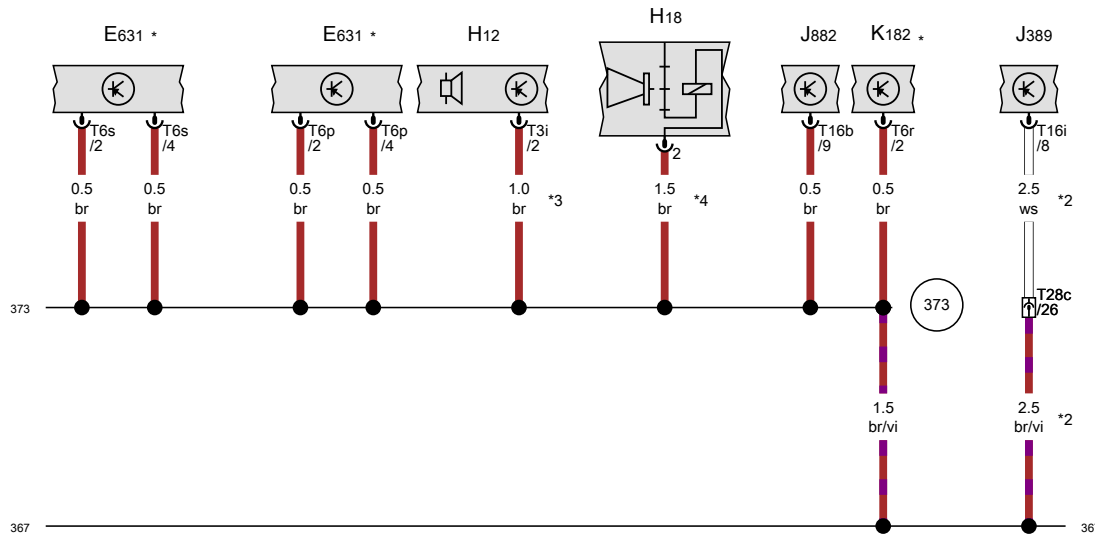
- ws = white
- sw = black
- ro = red
- rt = red
- br = brown
- gn = green
- bl = blue
- gr = grey
- li = purple
- vi = purple
- ge = yellow
- or = orange
- rs = pink

29 30 31 32 33 34 35 36 37 38 39 40 41 42

[S60-068040420]

Running gear program switch, Alarm horn, Rear right door control unit, Seat heating control unit, Reduction gearing warning lamp in transfer box operating unit

- E631 Running gear program switch, in centre console
- H12 Alarm horn
- H18 Alarm system horn
- J389 Rear right door control unit
- J882 Seat heating control unit
- K182 Reduction gearing warning lamp in transfer box operating unit, in centre console
- T3i 3-pin connector, black
- T6p 6-pin connector, black
- T6r 6-pin connector, brown
- T6s 6-pin connector, grey
- T16b 16-pin connector, black
- T16i 16-pin connector, black
- T28c 28-pin connector, black, on right B-pillar



367 Earth connection 2, in main wiring harness

373 Earth connection 8, in main wiring harness

- * For models with all-wheel drive
- *2 For models with double cab
- *3 For models with alarm horn
- *4 For models with no alarm horn

- ws = white
- sw = black
- ro = red
- rt = red
- br = brown
- gn = green
- bl = blue
- gr = grey
- li = purple
- vi = purple
- ge = yellow
- or = orange
- rs = pink

43 44 45 46 47 48 49 50 51 52 53 54 55 56

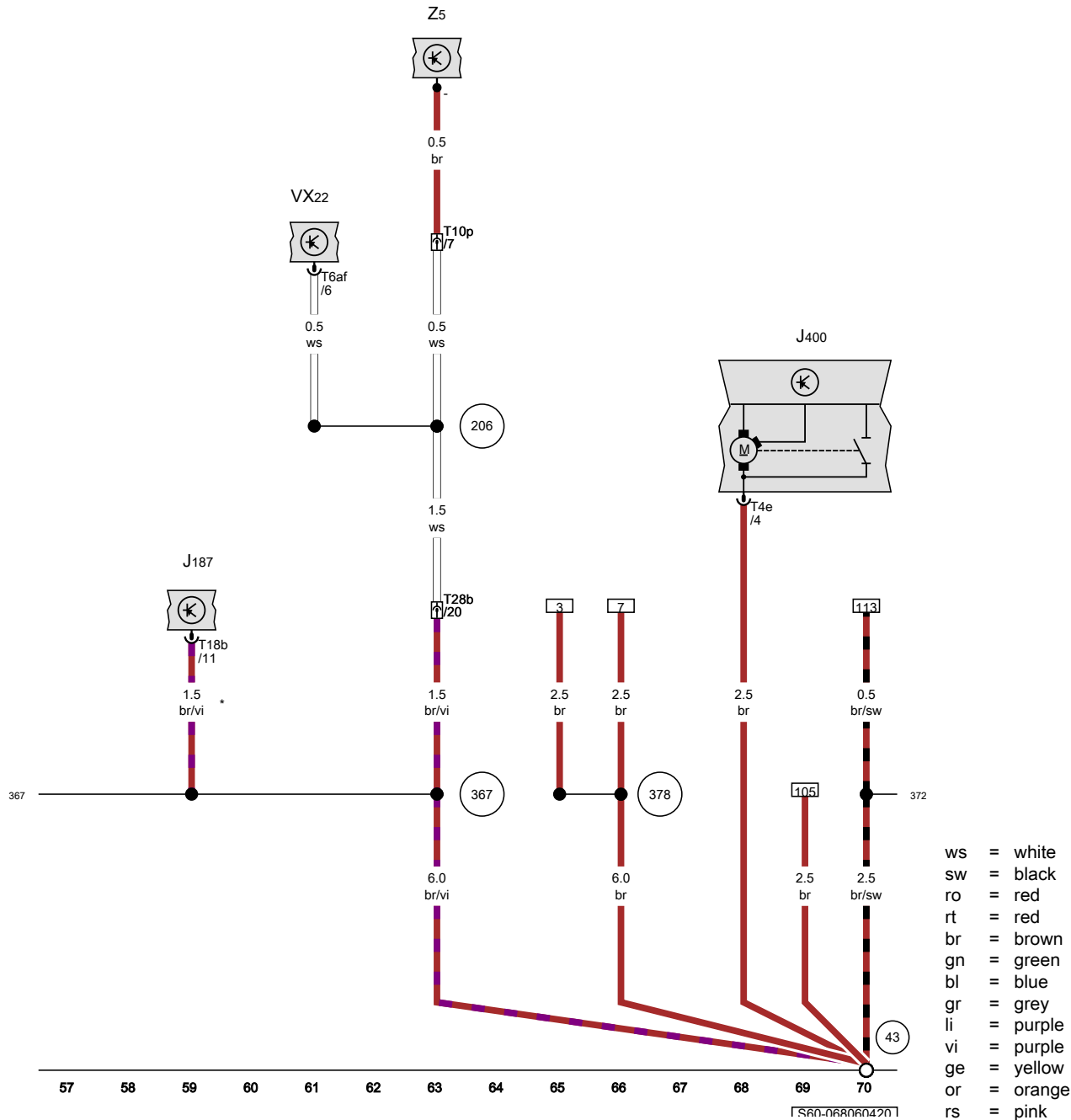
[S60-068050420]

Differential lock control unit, Wiper motor control unit

- J187 Differential lock control unit, in centre console, near handbrake lever
- J400 Wiper motor control unit
- T4e 4-pin connector, black
- T6af 6-pin connector, black
- T10p 10-pin connector, black, in right door, near exterior mirror
- T18b 18-pin connector, black
- T28b 28-pin connector, black, on right A-pillar
- VX22 Front passenger door lock unit
- Z5 Heated exterior mirror on passenger side

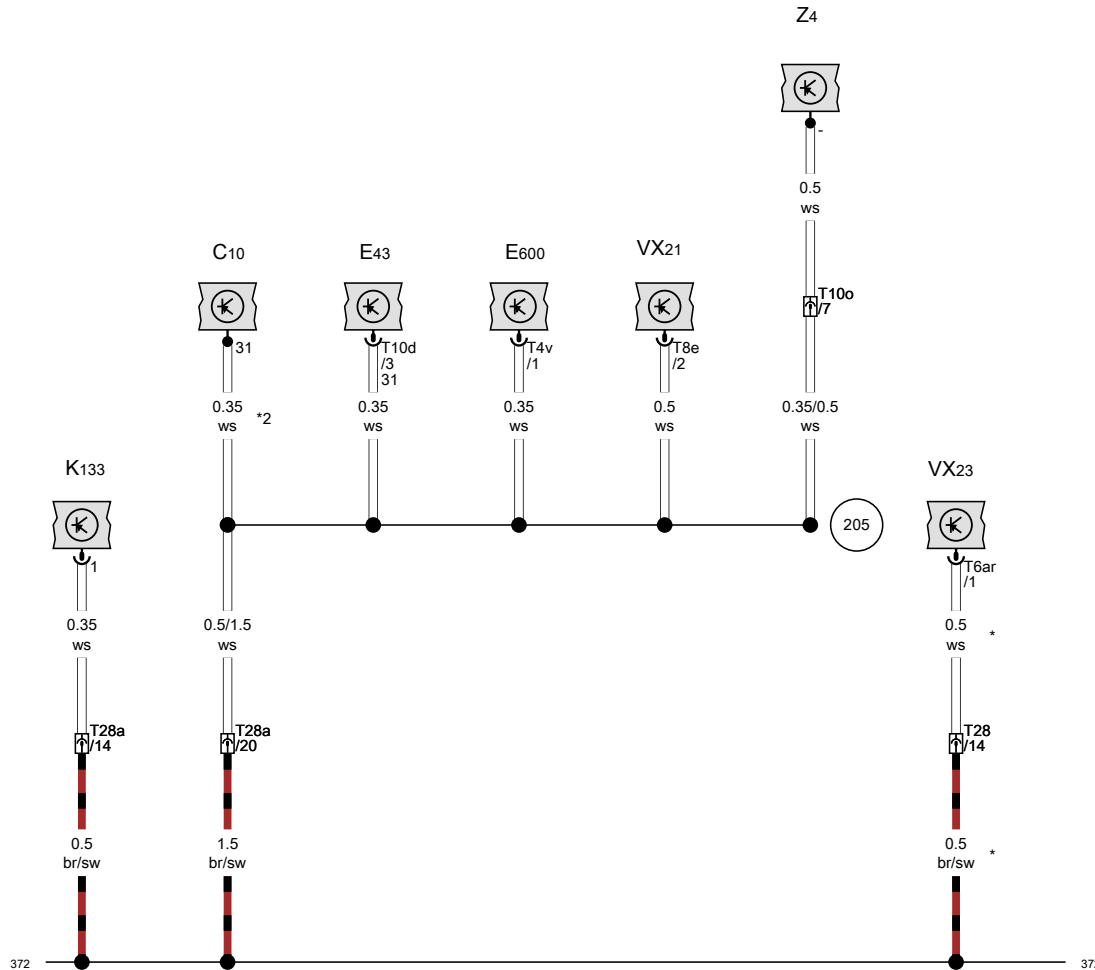
- 43 Earth point, lower part of right A-pillar
- 206 Earth connection, in front passenger door wiring harness
- 367 Earth connection 2, in main wiring harness
- 372 Earth connection 7, in main wiring harness
- 378 Earth connection 13, in main wiring harness

* For models with rear differential lock



1S60-0680604201

Suppression filter, Mirror adjustment switch, Central locking button, Central locking SAFELOCK function warning lamp, Driver door lock unit, Rear left door lock unit, Heated exterior mirror on driver side



- C10 Suppression filter, in left door
- E43 Mirror adjustment switch, in driver door
- E600 Central locking button, in driver door
- K133 Central locking SAFELOCK function warning lamp
- T4v 4-pin connector, black
- T6ar 6-pin connector, black
- T8e 8-pin connector, black
- T10d 10-pin connector, black
- T10o 10-pin connector, black, in left door, near exterior mirror
- T28 28-pin connector, black, on left B-pillar
- T28a 28-pin connector, black, on left A-pillar
- VX21 Driver door lock unit
- VX23 Rear left door lock unit
- Z4 Heated exterior mirror on driver side

205 Earth connection, in driver door wiring harness

372 Earth connection 7, in main wiring harness

* For models with double cab
 *2 According to equipment

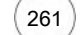
- ws = white
- sw = black
- ro = red
- rt = red
- br = brown
- gn = green
- bl = blue
- gr = grey
- li = purple
- vi = purple
- ge = yellow
- or = orange
- rs = pink

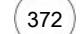
71 72 73 74 75 76 77 78 79 80 81 82 83 84

[S60-068070420]

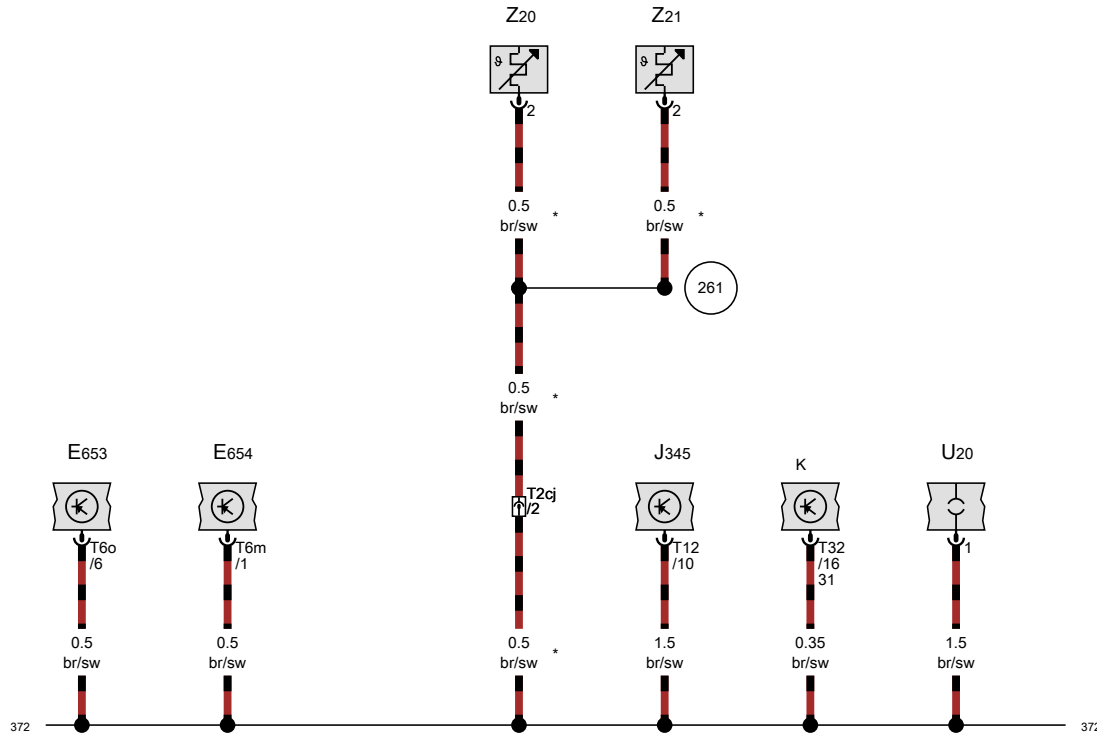
Button for left seat heating, Button for right seat heating, Trailer detector control unit, Dash panel insert, 12 V socket 4, Left washer jet heater element

- E653 Button for left seat heating
- E654 Button for right seat heating
- J345 Trailer detector control unit
- K Dash panel insert
- T2cj 2-pin connector, black, near window wiper motor
- T6m 6-pin connector, white
- T6o 6-pin connector, white
- T12 12-pin connector, red
- T32 32-pin connector, blue
- U20 12 V socket 4
- Z20 Left washer jet heater element
- Z21 Right washer jet heater element

 261 Earth connection, in heated washer jet wiring harness

 372 Earth connection 7, in main wiring harness

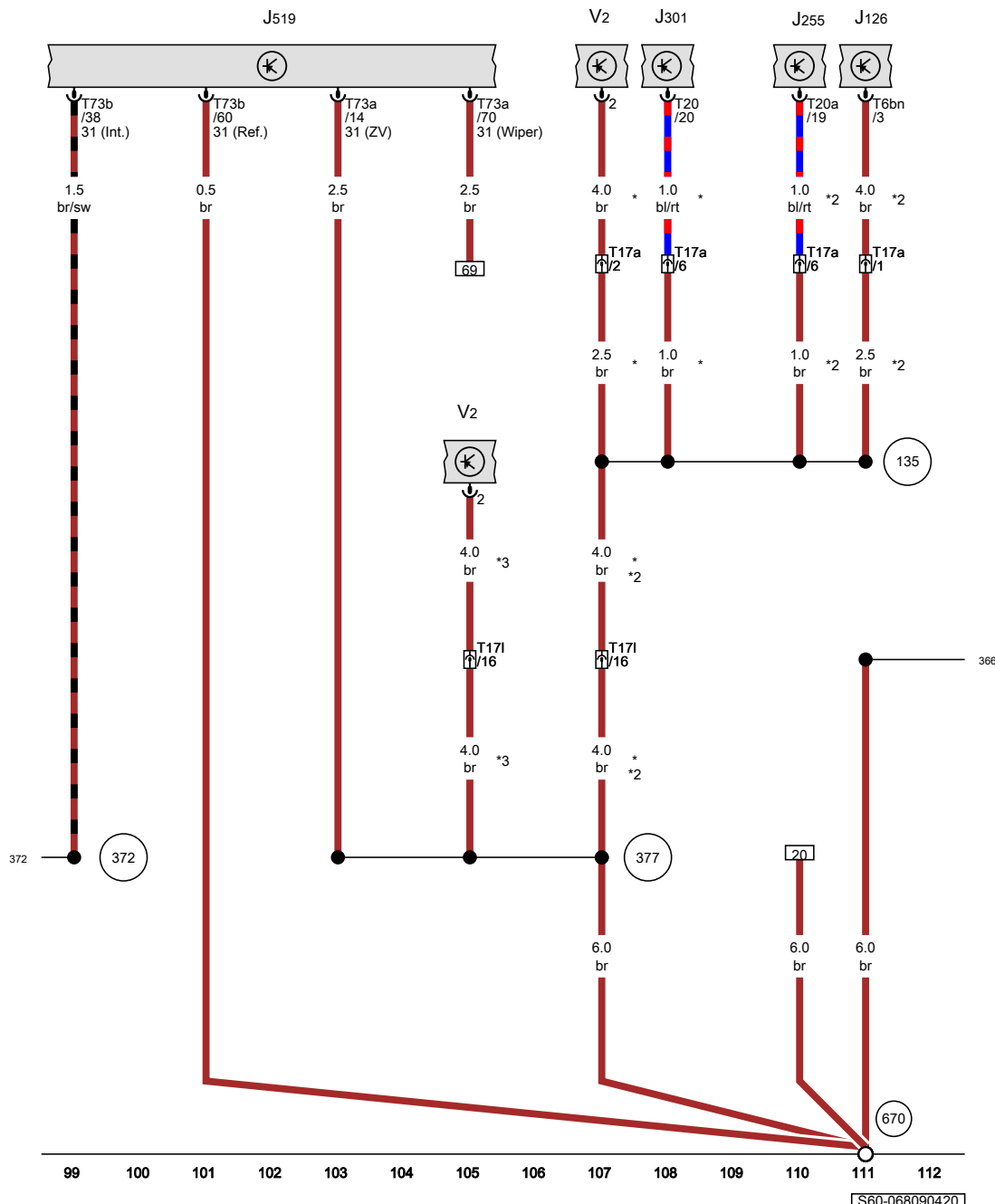
* For models with heated washer jets



- ws = white
- sw = black
- ro = red
- rt = red
- br = brown
- gn = green
- bl = blue
- gr = grey
- li = purple
- vi = purple
- ge = yellow
- or = orange
- rs = pink

85 86 87 88 89 90 91 92 93 94 95 96 97 98

[S60-068080420]

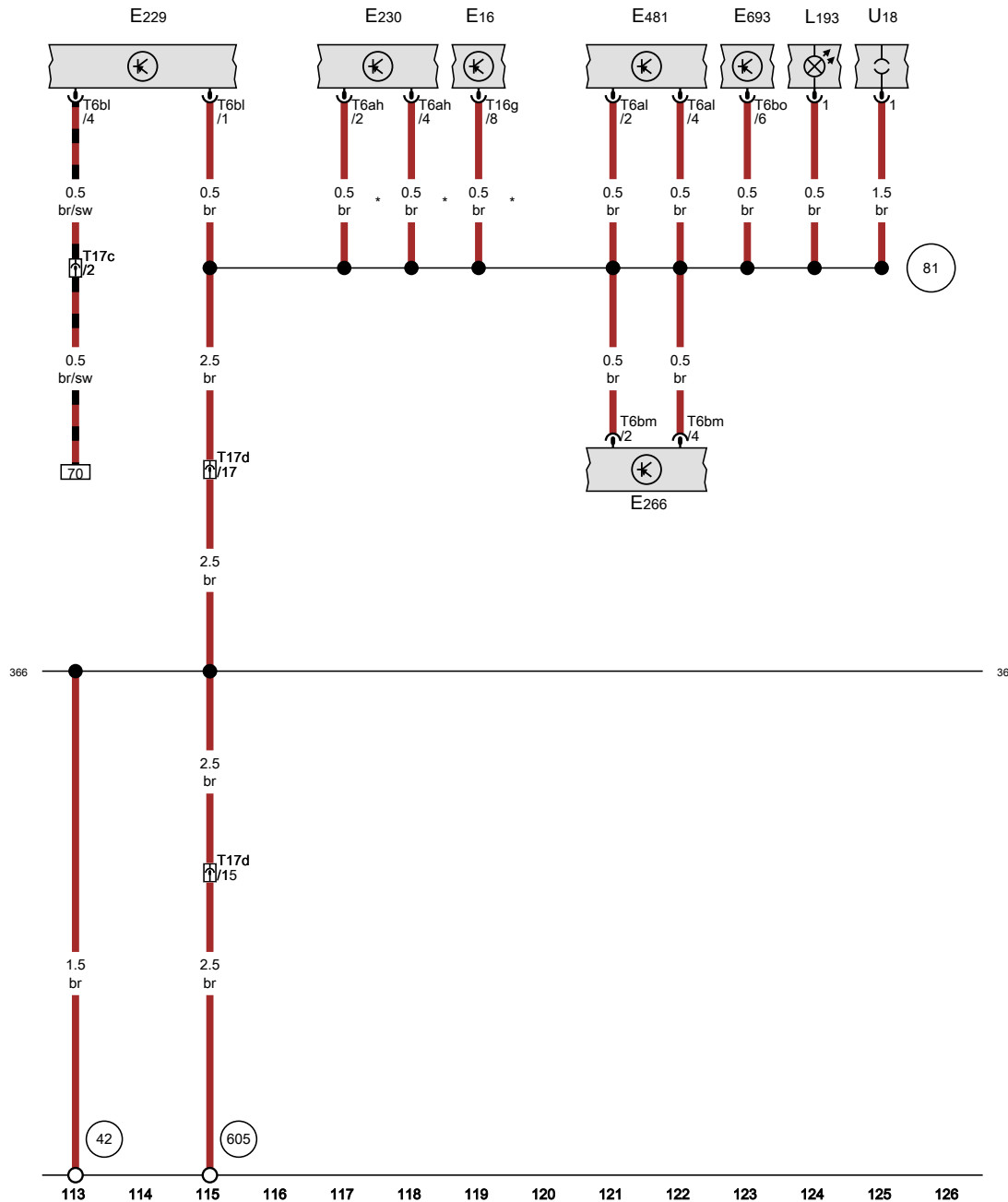


Fresh air blower control unit, Climatronic control unit, Air conditioning system control unit, Fresh air blower

- J126 Fresh air blower control unit
 - J255 Climatronic control unit, in centre of dash panel
 - J301 Air conditioning system control unit
 - J519 Onboard supply control unit
 - T6bn 6-pin connector, black
 - T17a 17-pin connector, black, behind glove compartment
 - T171 17-pin connector, brown, behind dash panel
 - T20 20-pin connector, black
 - T20a 20-pin connector, black
 - T73a 73-pin connector, black
 - T73b 73-pin connector, colourless
 - V2 Fresh air blower
- 135 Earth connection 2, in dash panel wiring harness
 - 366 Earth connection 1, in main wiring harness
 - 372 Earth connection 7, in main wiring harness
 - 377 Earth connection 12, in main wiring harness
 - 670 Earth point 2, left A-pillar
- * For models with Climatic
 - *2 For models with Climatronic
 - *3 For models with no air conditioning system/Climatronic

ws = white
 sw = black
 ro = red
 rt = red
 br = brown
 gn = green
 bl = blue
 gr = grey
 li = purple
 vi = purple
 ge = yellow
 or = orange
 rs = pink

1S60-0680904201



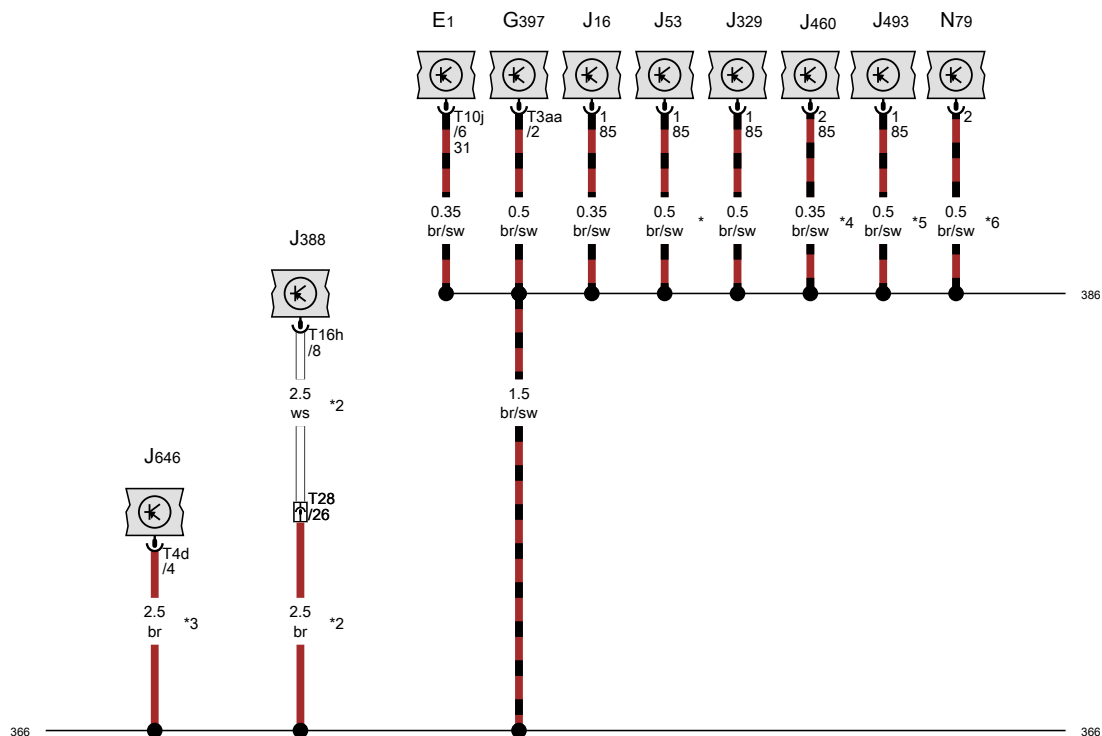
Heater/heat output switch, Hazard warning lights button, Heated rear window button, Parking aid button, Load area illumination switch, Start/Stop operation button, Light 1 for front centre console background lighting, 12 V socket 2

- E16 Heater/heat output switch
- E229 Hazard warning lights button
- E230 Heated rear window button
- E266 Parking aid button
- E481 Load area illumination switch
- E693 Start/Stop operation button
- L193 Light 1 for front centre console background lighting, in centre console, under radio
- T6ah 6-pin connector, near radio
- T6al 6-pin connector, red
- T6bl 6-pin connector, black, near radio
- T6bm 6-pin connector, white
- T6bo 6-pin connector, grey
- T16g 16-pin connector, black
- T17c 17-pin connector, white, behind dash panel
- T17d 17-pin connector, green, behind dash panel
- U18 12 V socket 2, in centre of dash panel, in storage compartment

- 42 Earth point, next to steering column
- 81 Earth connection 1, in dash panel wiring harness
- 366 Earth connection 1, in main wiring harness
- 605 Earth point, on top end of steering column
- * For models with no air conditioning system/Climatronic

- ws = white
- sw = black
- ro = red
- rt = red
- br = brown
- gn = green
- bl = blue
- gr = grey
- li = purple
- vi = purple
- ge = yellow
- or = orange
- rs = pink

[S60-06R100420]



Light switch, Rain and light sensor, Current supply relay, Starter motor relay, Terminal 15 voltage supply relay, Rear left door control unit, Alarm system relay 1, Auxiliary coolant heater relay, Transfer box control unit, Heater element for crankcase breather

- E1 Light switch
- G397 Rain and light sensor
- J16 Current supply relay
- J53 Starter motor relay
- J329 Terminal 15 voltage supply relay
- J388 Rear left door control unit
- J460 Alarm system relay 1
- J493 Auxiliary coolant heater relay
- J646 Transfer box control unit
- N79 Heater element for crankcase breather
- T3aa 3-pin connector, black
- T4d 4-pin connector, brown
- T10j 10-pin connector, black
- T16h 16-pin connector, black
- T28 28-pin connector, black, on left B-pillar

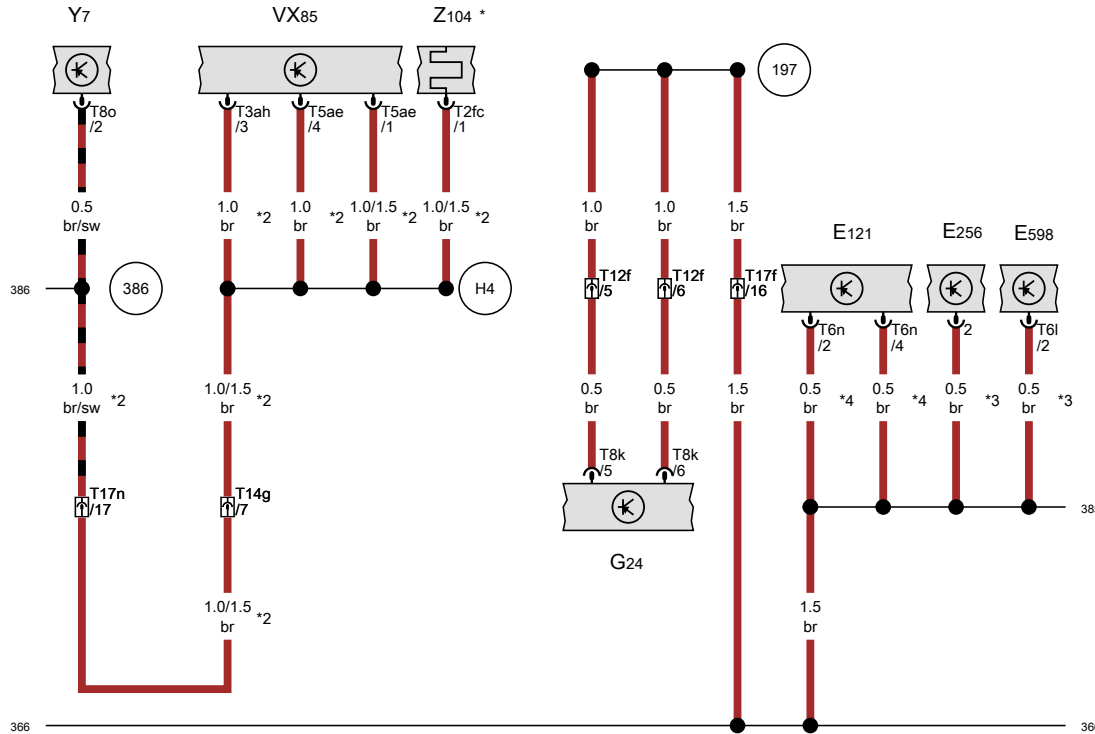
- 366 Earth connection 1, in main wiring harness
- 386 Earth connection 21, in main wiring harness

- * For models with no start/stop system
- *2 For models with double cab
- *3 For models with all-wheel drive
- *4 For models with no alarm horn
- *5 see applicable current flow diagram for air conditioning
- *6 For models with crankcase breather heater element

- ws = white
- sw = black
- ro = red
- rt = red
- br = brown
- gn = green
- bl = blue
- gr = grey
- li = purple
- vi = purple
- ge = yellow
- or = orange
- rs = pink

127 128 129 130 131 132 133 134 135 136 137 138 139 140

[S60-06R110420]



Rear differential lock switch, Button for TCS and electronic stabilisation program, Driving program button, Tachograph, Reducing agent tank, Automatic anti-dazzle interior mirror, Heater for reducing agent line (heater circuit 2)

- E121 Rear differential lock switch, in centre console
- E256 Button for TCS and electronic stabilisation program
- E598 Driving program button
- G24 Tachograph
- T2fc 2-pin connector, black
- T3ah 3-pin connector, black
- T5ae 5-pin connector, black
- T6i 6-pin connector, red
- T6n 6-pin connector, brown
- T8k 8-pin connector, colourless
- T8o 8-pin connector, black
- T12f 12-pin connector, black, near handbrake lever
- T14g 14-pin connector, grey, rear
- T17f 17-pin connector, blue, near handbrake lever
- T17n 17-pin connector, green, near handbrake lever
- VX85 Reducing agent tank
- Y7 Automatic anti-dazzle interior mirror, on interior mirror
- Z104 Heater for reducing agent line (heater circuit 2)

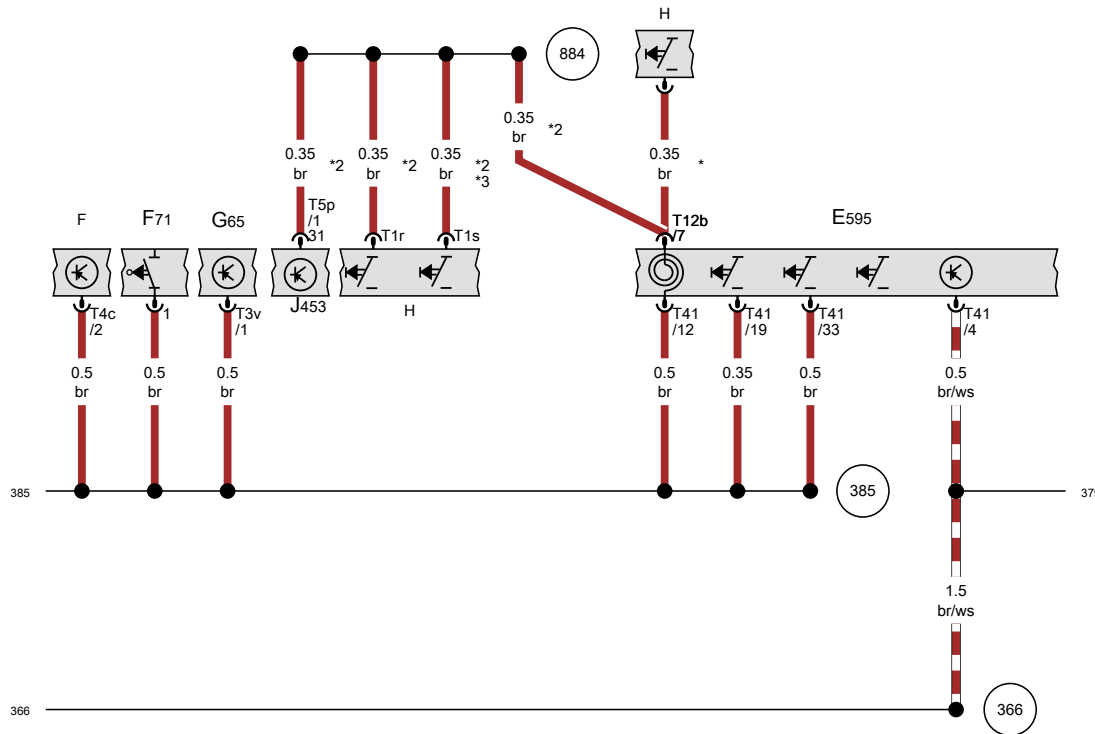
- 197 Earth connection 4, in rear wiring harness
- 366 Earth connection 1, in main wiring harness
- 385 Earth connection 20, in main wiring harness
- 386 Earth connection 21, in main wiring harness
- H4 Connection 2 in wiring harness for reducing agent tank

- * Pre-wired component
- *2 For models with 3.0l engine
- *3 According to equipment
- *4 For models with rear differential lock

- ws = white
- sw = black
- ro = red
- rt = red
- br = brown
- gn = green
- bl = blue
- gr = grey
- li = purple
- vi = purple
- ge = yellow
- or = orange
- rs = pink

141 142 143 144 145 146 147 148 149 150 151 152 153 154

1560-06R1204201



Steering column combination switch, Brake light switch, Clutch pedal switch for stop/start system, High-pressure sender, Horn plate, Multifunction steering wheel control unit

- E595 Steering column combination switch
- F Brake light switch
- F71 Clutch pedal switch for stop/start system
- G65 High-pressure sender
- H Horn plate
- J453 Multifunction steering wheel control unit
- T1r 1-pin connector, black
- T1s 1-pin connector, black
- T3v 3-pin connector, black
- T4c 4-pin connector, black
- T5p 5-pin connector, black
- T12b 12-pin connector, yellow
- T41 41-pin connector, grey

- 366 Earth connection 1, in main wiring harness
- 379 Earth connection 14, in main wiring harness
- 385 Earth connection 20, in main wiring harness
- 884 Earth connection 1 in steering wheel wiring harness
- * For models with no multifunction steering wheel
- *2 For models with multifunction steering wheel
- *3 According to equipment

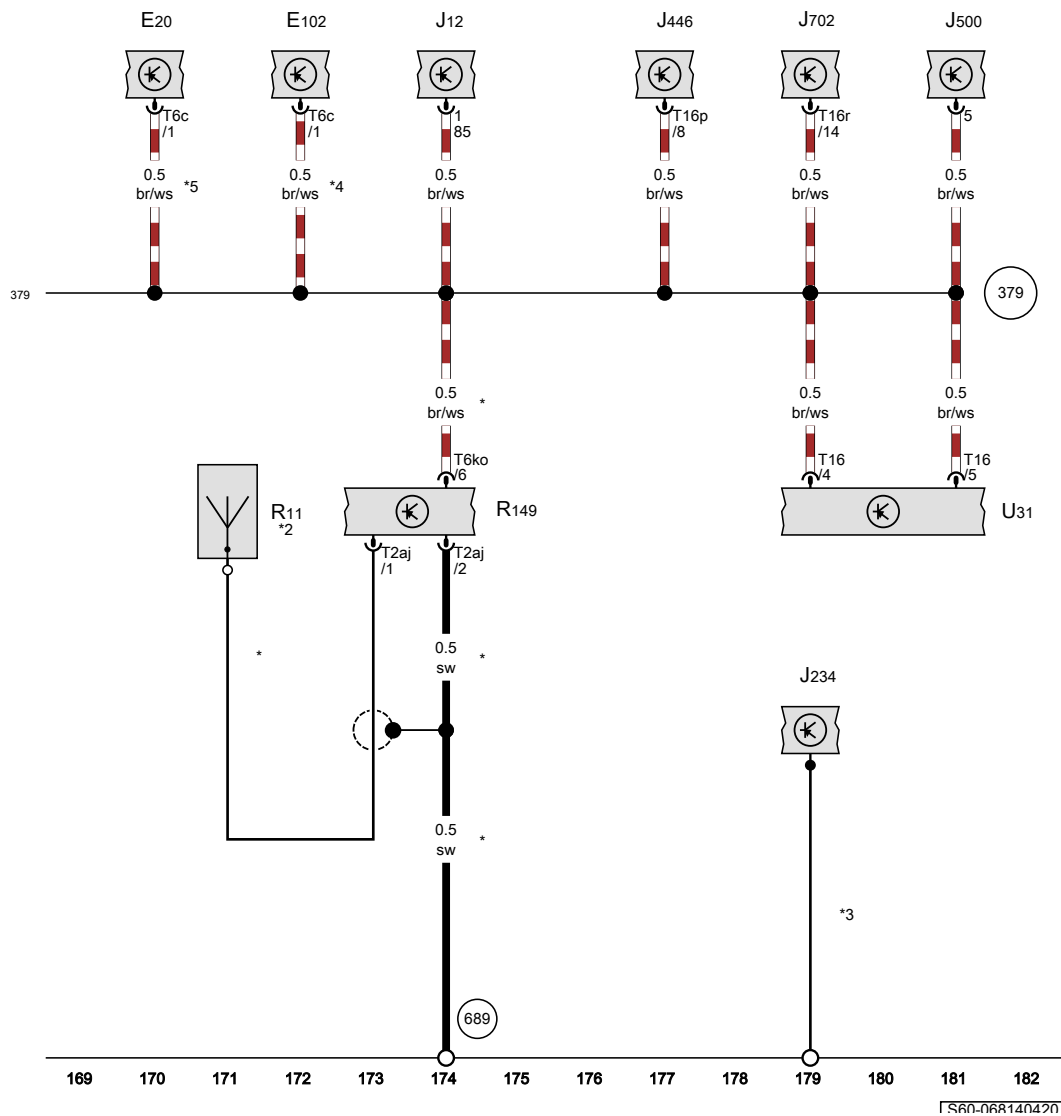
- ws = white
- sw = black
- ro = red
- rt = red
- br = brown
- gn = green
- bl = blue
- gr = grey
- li = purple
- vi = purple
- ge = yellow
- or = orange
- rs = pink

155 156 157 158 159 160 161 162 163 164 165 166 167 168

[S60-06R130420]

Switch and instrument illumination regulator, Headlight range control regulator, Headlight main beam relay, Airbag control unit, Parking aid control unit, Power steering control unit, Roof display unit, Aerial, Remote control receiver for auxiliary coolant heater, Diagnostic connection

- E20 Switch and instrument illumination regulator
- E102 Headlight range control regulator
- J12 Headlight main beam relay
- J234 Airbag control unit, under centre console
- J446 Parking aid control unit, lower part of A-pillar, front passenger side
- J500 Power steering control unit
- J702 Roof display unit, near interior mirror
- R11 Aerial, behind right A-pillar trim
- R149 Remote control receiver for auxiliary coolant heater
- T2aj 2-pin connector, light brown
- T6c 6-pin connector, black
- T6ko 6-pin connector, blue
- T16 16-pin connector, black
- T16p 16-pin connector, brown
- T16r 16-pin connector, black
- U31 Diagnostic connection, near lower part of right A-pillar



- 379 Earth connection 14, in main wiring harness
- 689 Earth point, at front, central in roof
- * For models with remote control receiver for auxiliary coolant heater
- *2 Wiring open end
- *3 Earth supply via housing
- *4 For models with headlight range control
- *5 For models with dimmable instrument illumination

- ws = white
- sw = black
- ro = red
- rt = red
- br = brown
- gn = green
- bl = blue
- gr = grey
- li = purple
- vi = purple
- ge = yellow
- or = orange
- rs = pink

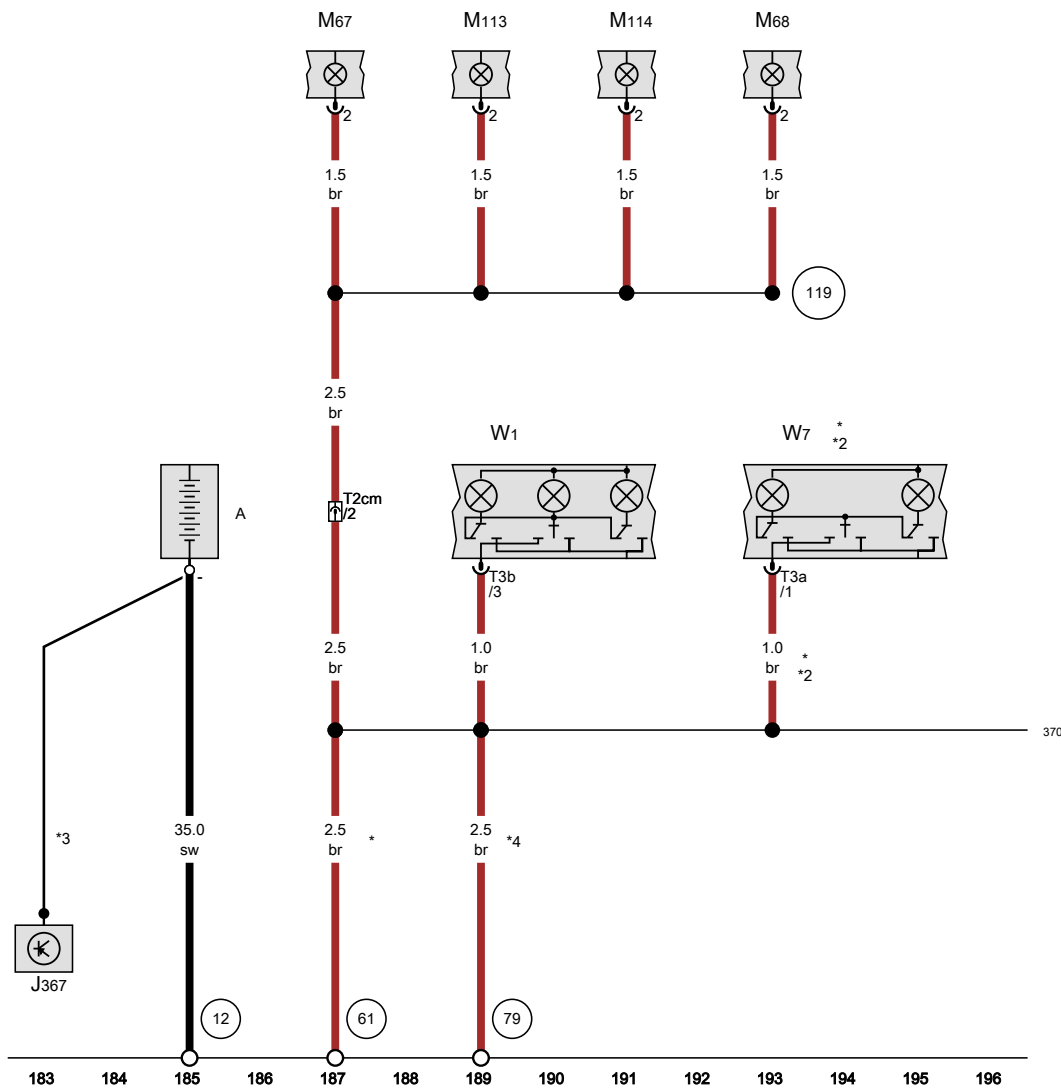
1560-06R1404201

Battery, Battery monitor control unit, Left additional main beam bulb, Right additional main beam bulb, Centre left additional main beam bulb, Centre right additional main beam bulb, Front interior light, Centre interior light

- A Battery
- J367 Battery monitor control unit
- M67 Left additional main beam bulb
- M68 Right additional main beam beam bulb
- M113 Centre left additional main beam bulb
- M114 Centre right additional main beam bulb
- T2cm 2-pin connector, black
- T3a 3-pin connector, black
- T3b 3-pin connector, black
- W1 Front interior light
- W7 Centre interior light

- 12 Earth point, on left in engine compartment
- 61 Earth point, left C-pillar
- 79 Earth point on left B-pillar
- 119 Earth connection 1, in headlight wiring harness
- 370 Earth connection 5, in main wiring harness

- * For models with double cab
- *2 For models with Highline equipment
- *3 For models with start/stop system
- *4 For models with single cab



- ws = white
- sw = black
- ro = red
- rt = red
- br = brown
- gn = green
- bl = blue
- gr = grey
- li = purple
- vi = purple
- ge = yellow
- or = orange
- rs = pink

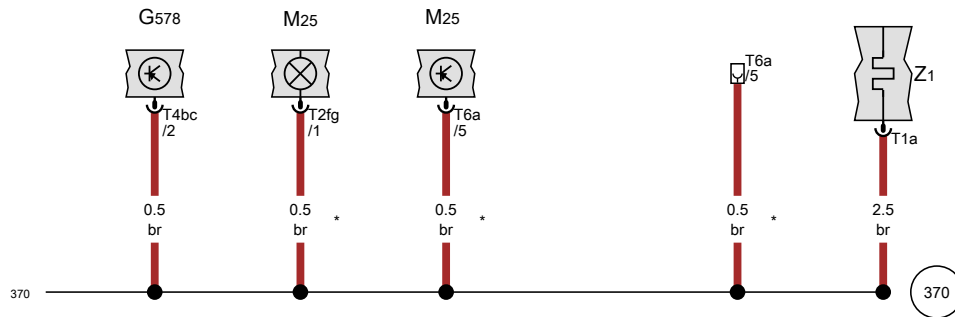
[S60-06R150420]

Anti-theft alarm sensor, High-level brake light bulb, Heated rear window

- G578 Anti-theft alarm sensor
- M25 High-level brake light bulb
- T1a 1-pin connector, black
- T2fg 2-pin connector, black
- T4bc 4-pin connector, brown
- T6a 6-pin connector, black, on rear roof module
- Z1 Heated rear window

370 Earth connection 5, in main wiring harness

* According to equipment



- ws = white
- sw = black
- ro = red
- rt = red
- br = brown
- gn = green
- bl = blue
- gr = grey
- li = purple
- vi = purple
- ge = yellow
- or = orange
- rs = pink

197 198 199 200 201 202 203 204 205 206 207 208 209 210

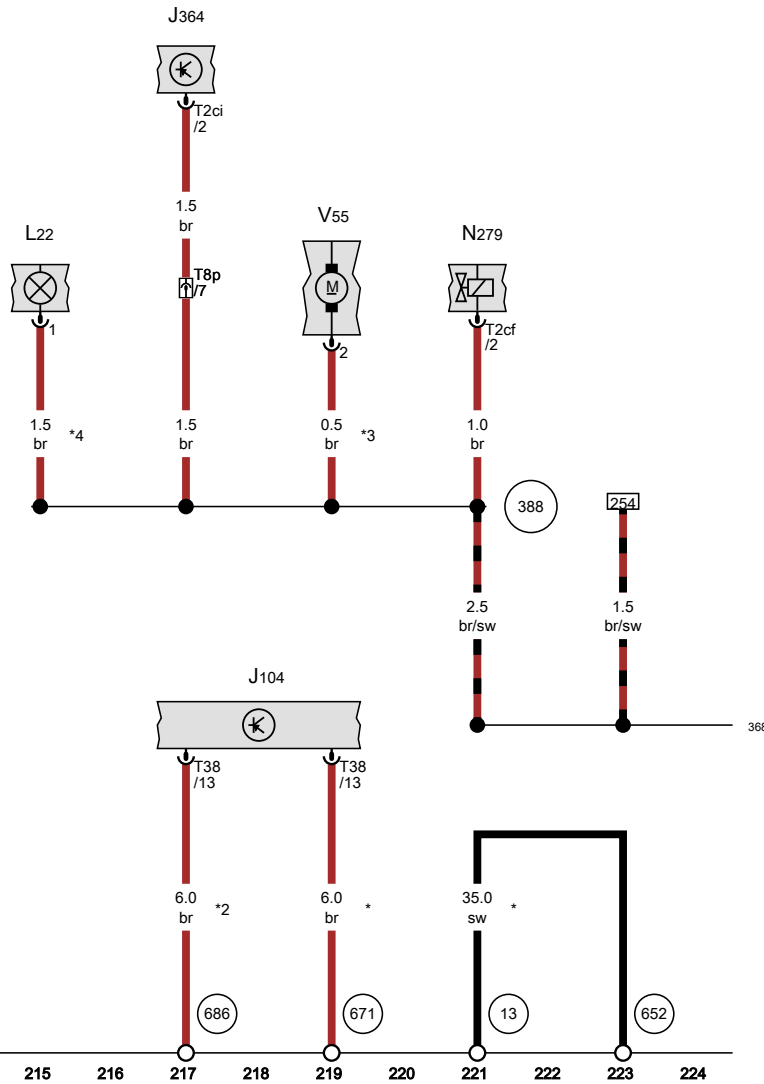
[S60-06R160420]

ABS control unit, Auxiliary heater control unit, Left fog light bulb, Heater coolant shut-off valve, Circulation pump

- J104 ABS control unit
- J364 Auxiliary heater control unit
- L22 Left fog light bulb
- N279 Heater coolant shut-off valve, front left in engine compartment
- T2cf 2-pin connector, black
- T2ci 2-pin connector, black
- T8p 8-pin connector, black, near battery
- T38 38-pin connector, black
- V55 Circulation pump

- 13 Earth point, on right in engine compartment
- 368 Earth connection 3, in main wiring harness
- 388 Earth connection 23, in main wiring harness
- 652 Earth point, engine and gearbox earth
- 671 Earth point 1, on front of left longitudinal member
- 686 Earth point 2, on front of right longitudinal member

- * For models with 2.0l engine
- *2 For models with 3.0l engine
- *3 see applicable current flow diagram for engine
- *4 For models with fog lights

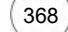


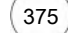
- ws = white
- sw = black
- ro = red
- rt = red
- br = brown
- gn = green
- bl = blue
- gr = grey
- li = purple
- vi = purple
- ge = yellow
- or = orange
- rs = pink

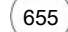
[S60-06R170420]

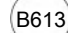
Treble horn, Radiator fan control unit, Left turn signal repeater bulb, Continued coolant circulation pump

- H2 Treble horn
- H7 Bass horn
- J293 Radiator fan control unit
- M18 Left turn signal repeater bulb
- T3e 3-pin connector, black, in rear left of engine compartment
- T3w 3-pin connector, black
- T4bh 4-pin connector, black, in rear left of engine compartment
- T4bj 4-pin connector, black, on radiator cowling
- V51 Continued coolant circulation pump

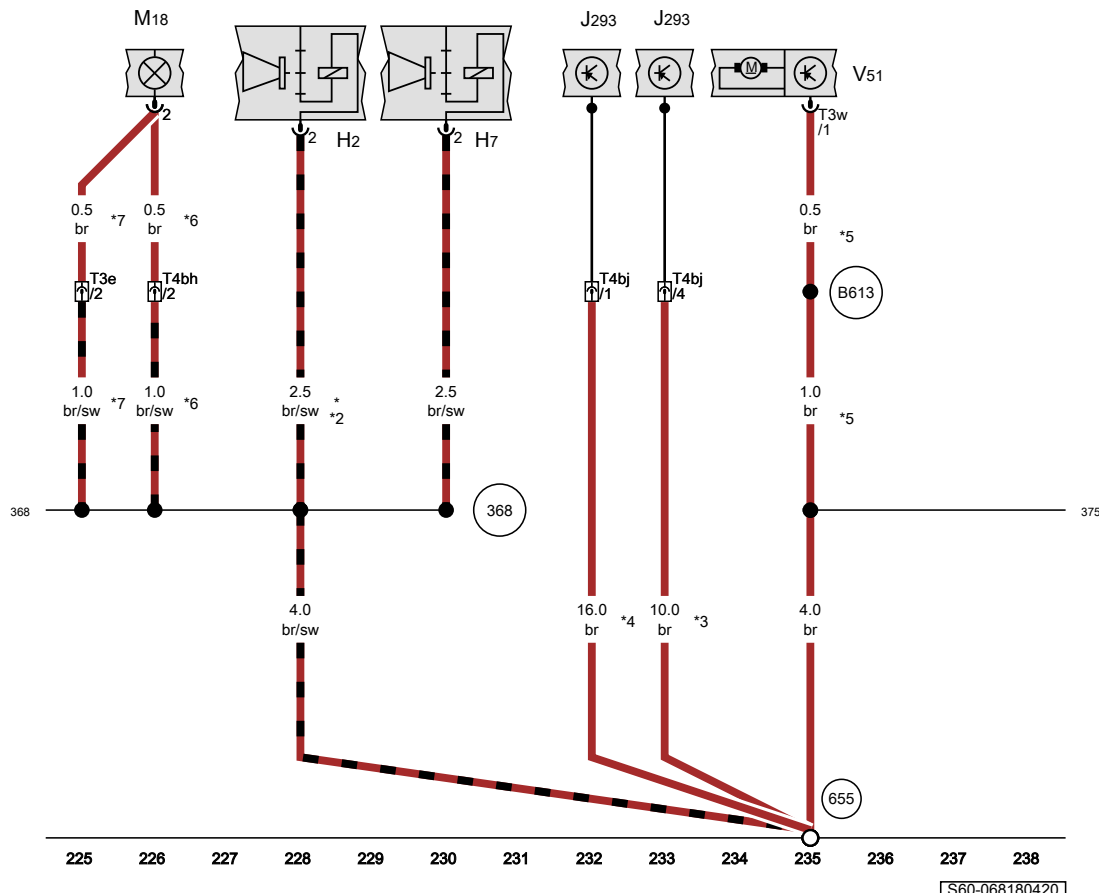
 368 Earth connection 3, in main wiring harness

 375 Earth connection 10, in main wiring harness

 655 Earth point, on left headlight

 B613 Connection 41, in main wiring harness

- * For models with Highline equipment
- *2 For models with Trendline equipment
- *3 For models with low fan output
- *4 For models with increased fan output
- *5 For models with Euro 5 emission standard
- *6 For models with provision for side member lighting
- *7 For models with no provision for side member lighting



[S60-06R180420]

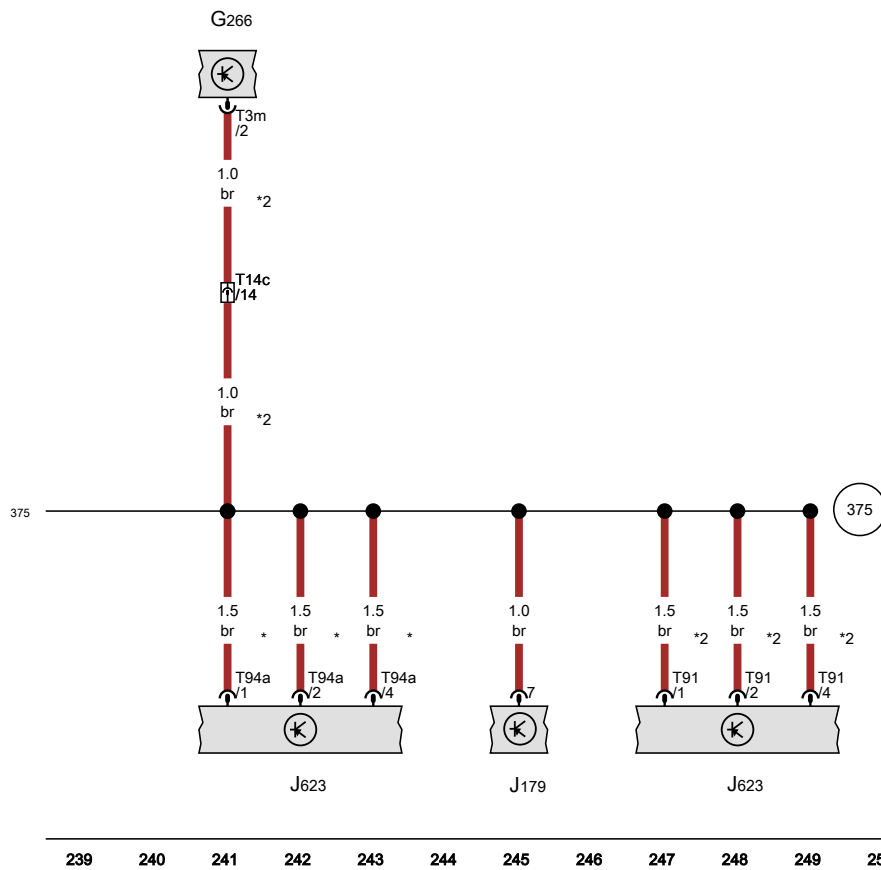
Oil level and oil temperature sender, Automatic glow period control unit, Engine/motor control unit

- G266 Oil level and oil temperature sender
- J179 Automatic glow period control unit
- J623 Engine/motor control unit
- T3m 3-pin connector, black
- T14c 14-pin connector, grey, near battery
- T91 91-pin connector, black
- T94a 94-pin connector, black

375 Earth connection 10, in main wiring harness

* For models with 2.0l engine

*2 For models with 3.0l engine



- ws = white
- sw = black
- ro = red
- rt = red
- br = brown
- gn = green
- bl = blue
- gr = grey
- li = purple
- vi = purple
- ge = yellow
- or = orange
- rs = pink

239 240 241 242 243 244 245 246 247 248 249 250 251 252

[S60-06R190420]

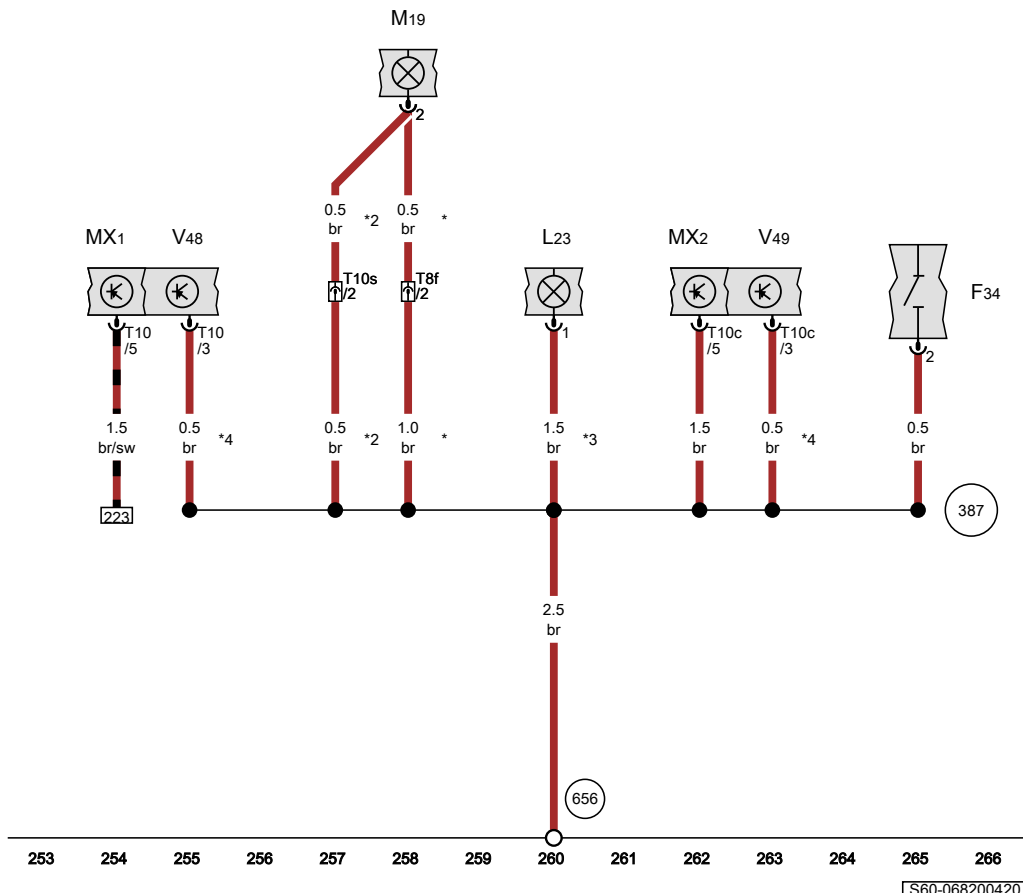
Brake fluid level warning contact, Right fog light bulb, Front left headlight, Front right headlight, Right turn signal repeater bulb, Left headlight range control motor, Right headlight range control motor

- F34 Brake fluid level warning contact
- L23 Right fog light bulb
- MX1 Front left headlight
- MX2 Front right headlight
- M19 Right turn signal repeater bulb
- T8f 8-pin connector, black, in rear right of engine compartment
- T10 10-pin connector, black
- T10c 10-pin connector, black
- T10s 10-pin connector, black, in rear right of engine compartment
- V48 Left headlight range control motor
- V49 Right headlight range control motor

387 Earth connection 22, in main wiring harness

656 Earth point, on right headlight, on right on bulkhead

- * For models with no provision for side member lighting
- *2 For models with provision for side member lighting
- *3 For models with fog lights
- *4 For models with headlight range control



- ws = white
- sw = black
- ro = red
- rt = red
- br = brown
- gn = green
- bl = blue
- gr = grey
- li = purple
- vi = purple
- ge = yellow
- or = orange
- rs = pink

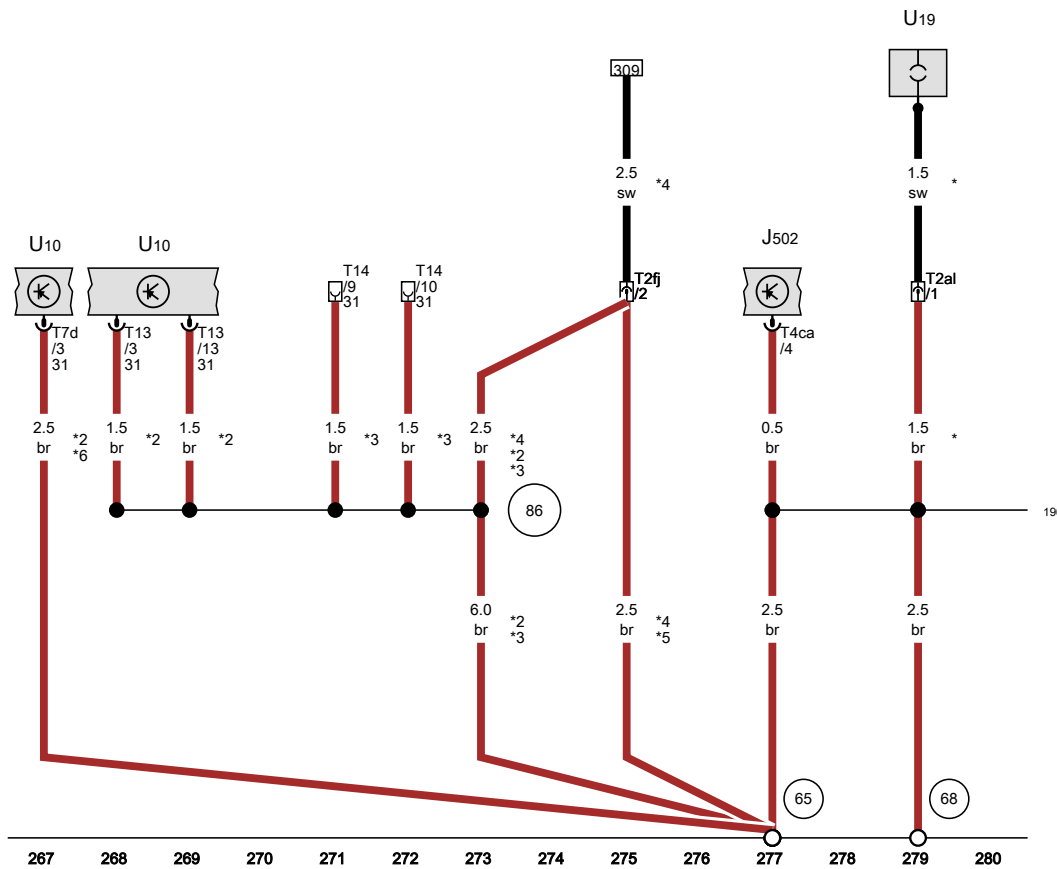
[S60-068200420]

Tyre Pressure Monitoring System control unit, 14-pin connector, Trailer socket, 12 V socket 3

- J502 Tyre Pressure Monitoring System control unit
- T2al 2-pin connector, black, Interface for rear left socket, on wheel housing
- T2fj 2-pin connector, brown, on cross panel, rear, left
- T4ca 4-pin connector, grey
- T7d 7-pin connector, black, on rear skirt
- T13 13-pin connector, black, on rear skirt
- T14 14-pin connector, black, behind rear bumper on left
- U10 Trailer socket
- U19 12 V socket 3, on left wheel housing

- 65 Earth point, on rear of left longitudinal member
- 68 Earth point, on left of rear cross member
- 86 Earth connection 1, in rear wiring harness
- 196 Earth connection 3, in rear wiring harness

- * For models with 12 V socket
- *2 For models with trailer socket
- *3 For models with preparation for trailer coupling
- *4 For models with hardtop
- *5 For models with no towing bracket
- *6 According to equipment



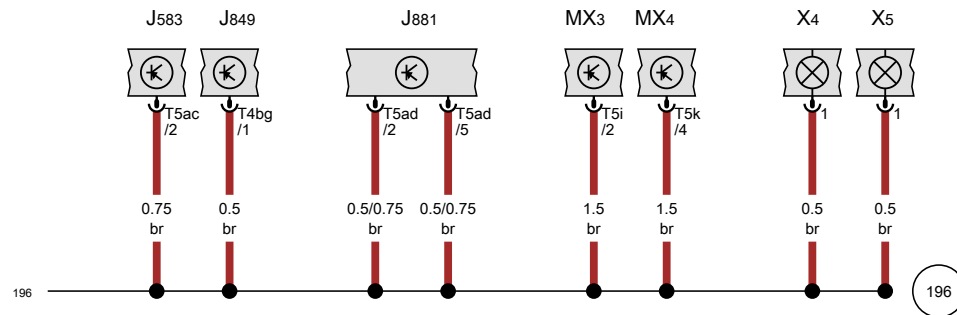
- ws = white
- sw = black
- ro = red
- rt = red
- br = brown
- gn = green
- bl = blue
- gr = grey
- li = purple
- vi = purple
- ge = yellow
- or = orange
- rs = pink

1560-0682104201

Control unit for NOx sender, Control unit for sensor electronics, Control unit for NOx sender 2, Left tail light cluster, Right tail light cluster, Left number plate light, Right number plate light

- J583 Control unit for NOx sender
- J849 Control unit for sensor electronics
- J881 Control unit for NOx sender 2
- MX3 Left tail light cluster
- MX4 Right tail light cluster
- T4bg 4-pin connector, black
- T5ac 5-pin connector, black
- T5ad 5-pin connector, black
- T5i 5-pin connector, black
- T5k 5-pin connector, black
- X4 Left number plate light
- X5 Right number plate light

196 Earth connection 3, in rear wiring harness



- ws = white
- sw = black
- ro = red
- rt = red
- br = brown
- gn = green
- bl = blue
- gr = grey
- li = purple
- vi = purple
- ge = yellow
- or = orange
- rs = pink

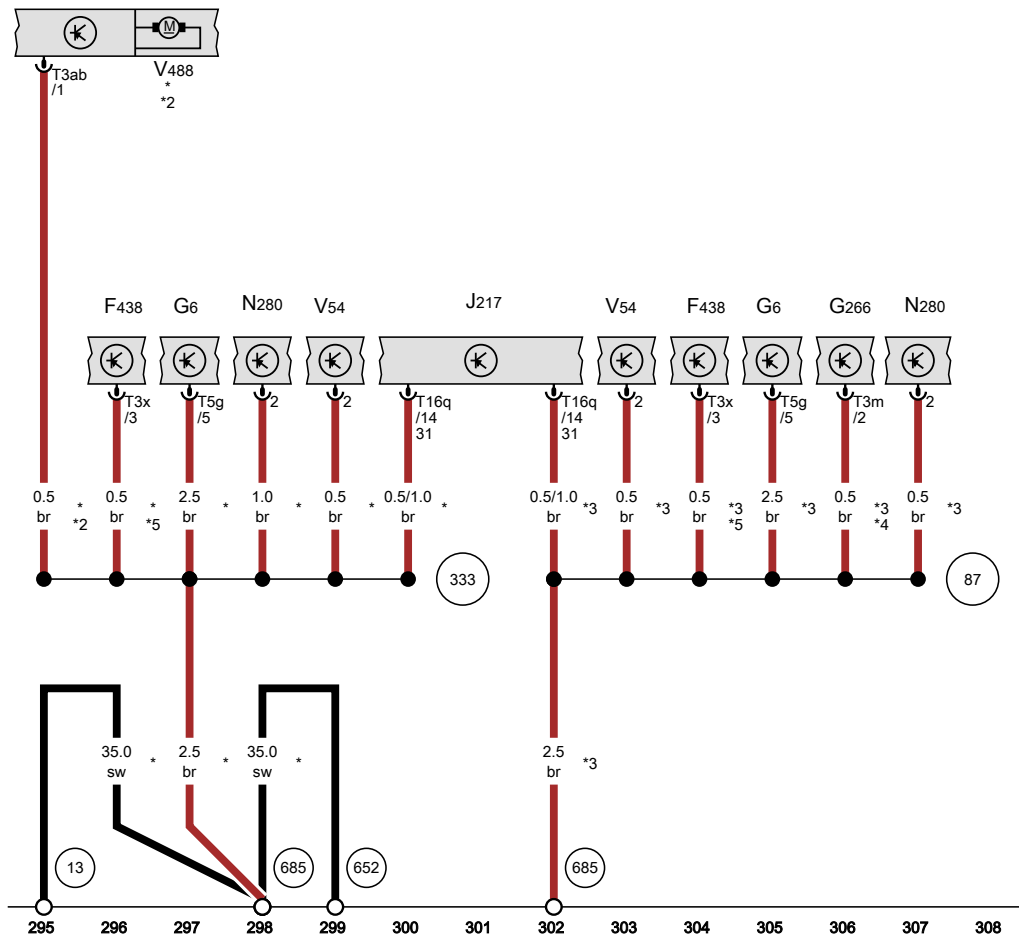
281 282 283 284 285 286 287 288 289 290 291 292 293 294

[560-068220420]

Transfer box inter-axle lock-up switch, Fuel system pressurisation pump, Oil level and oil temperature sender, Automatic gearbox control unit, Air conditioner compressor regulating valve, Metering pump, Auxiliary pump for heating

- F438 Transfer box inter-axle lock-up switch
- G6 Fuel system pressurisation pump
- G266 Oil level and oil temperature sender
- J217 Automatic gearbox control unit
- N280 Air conditioner compressor regulating valve
- T3ab 3-pin connector, black
- T3m 3-pin connector, black
- T3x 3-pin connector, black
- T5g 5-pin connector, black
- T16q 16-pin connector, black
- V54 Metering pump
- V488 Auxiliary pump for heating, in engine compartment, near right headlight

- 13 Earth point, on right in engine compartment
- 87 Earth connection 2, in rear wiring harness
- 333 Earth connection 5, in rear wiring harness
- 652 Earth point, engine and gearbox earth
- 685 Earth point 1, on front of right longitudinal member
- * For models with 3.0l engine
- *2 According to equipment
- *3 For models with 2.0l engine
- *4 For models with Euro 5 emission standard
- *5 For models with all-wheel drive

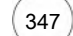


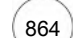
- ws = white
- sw = black
- ro = red
- rt = red
- br = brown
- gn = green
- bl = blue
- gr = grey
- li = purple
- vi = purple
- ge = yellow
- or = orange
- rs = pink

1560-0682304201

Left sender for rear window frame locked, Right sender for rear window frame locked, Sender for rear window frame open, Heated rear window relay, Blocking relay, Warning lamp, Remote control receiver for unlocking armoured vehicle, Rear interior light, Heated rear window for hardtop

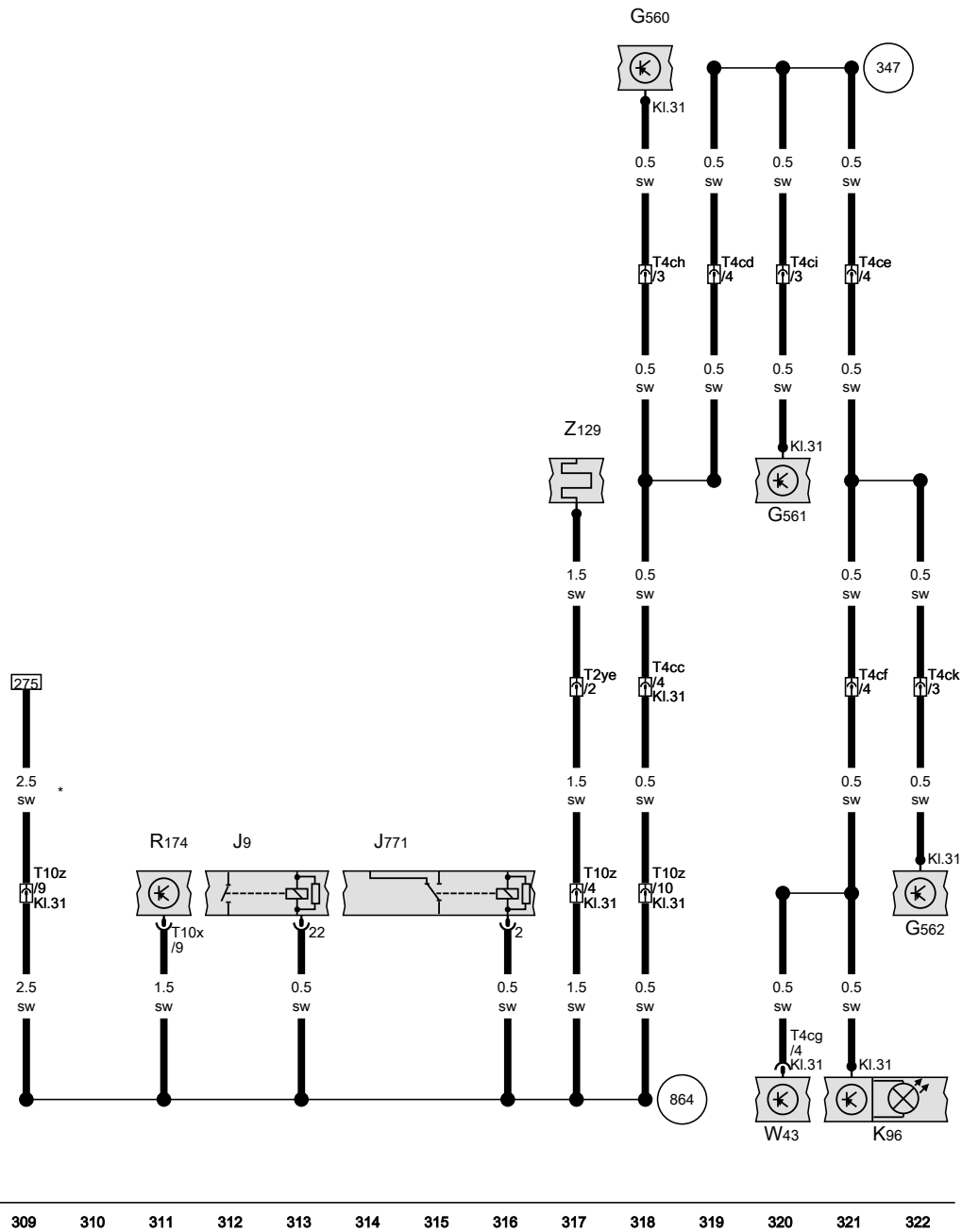
- G560 Left sender for rear window frame locked, in left side window
- G561 Right sender for rear window frame locked, in right side window
- G562 Sender for rear window frame open, in rear lid
- J9 Heated rear window relay, in rear part of roof, middle
- J771 Blocking relay, in rear part of roof, middle
- K96 Warning lamp
- R174 Remote control receiver for unlocking armoured vehicle, in rear part of roof, middle
- T2ye 2-pin connector, black, near heated rear window connector
- T4cc 4-pin connector, white, in rear part of roof
- T4cd 4-pin connector, white, in rear part of roof
- T4ce 4-pin connector, white, in rear part of roof
- T4cf 4-pin connector, white, in rear part of roof
- T4cg 4-pin connector, white
- T4ch 4-pin connector, black, in rear part of roof, left
- T4ci 4-pin connector, black, in rear part of roof, right
- T4ck 4-pin connector, black, in rear part of roof, middle
- T10x 10-pin connector, white
- T10z 10-pin connector, black, in rear part of roof, middle
- W43 Rear interior light, in rear part of roof, middle
- Z129 Heated rear window for hardtop

 347 Earth connection, in roof wiring harness

 864 Earth connection 1 in special vehicle wiring harness

* For models with hardtop

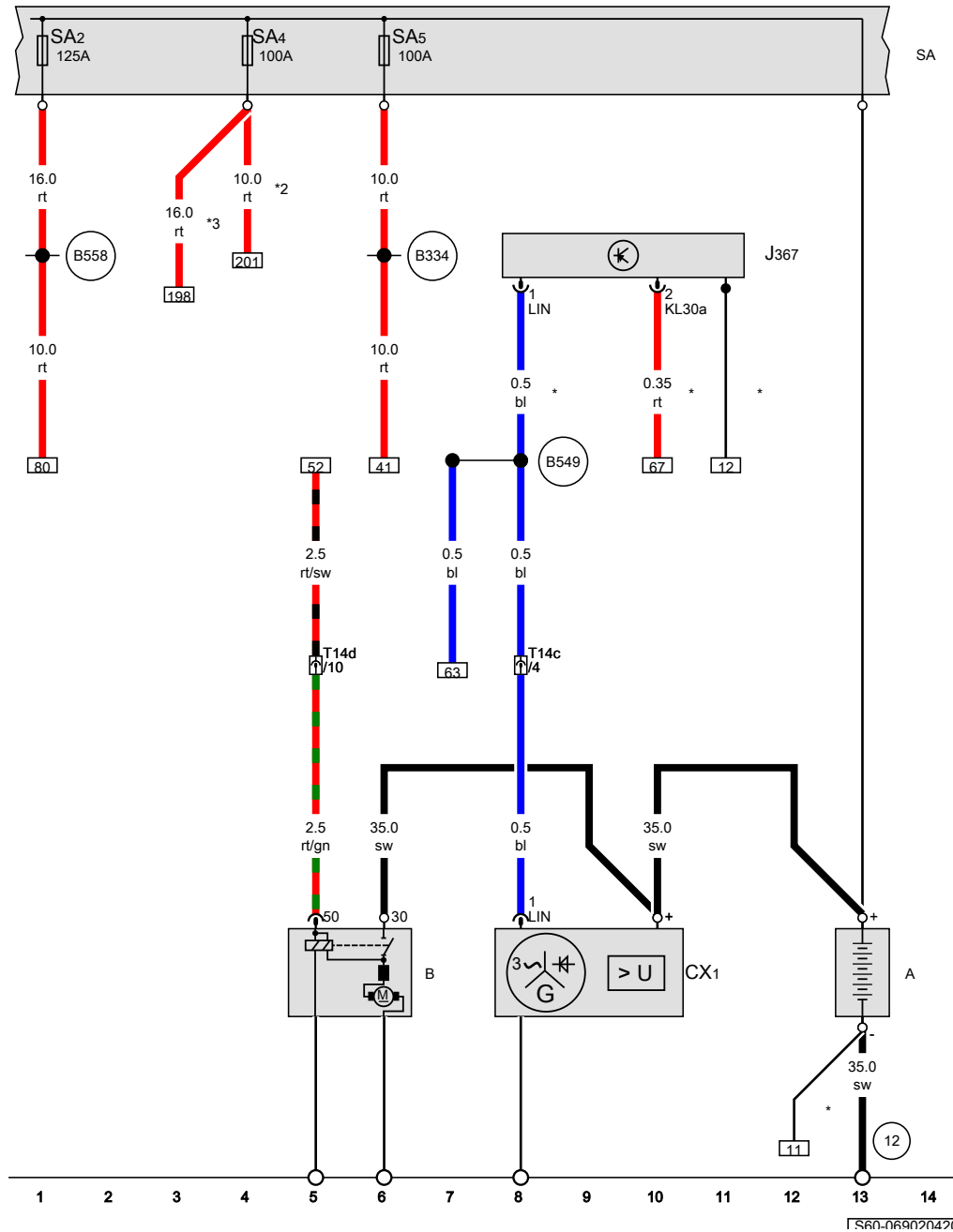
- ws = white
- sw = black
- ro = red
- rt = red
- br = brown
- gn = green
- bl = blue
- gr = grey
- li = purple
- vi = purple
- ge = yellow
- or = orange
- rs = pink



1S60-06R2404201

3.0l diesel engine , DDXB,DDXC,DDXD,DDXE

From August 2019

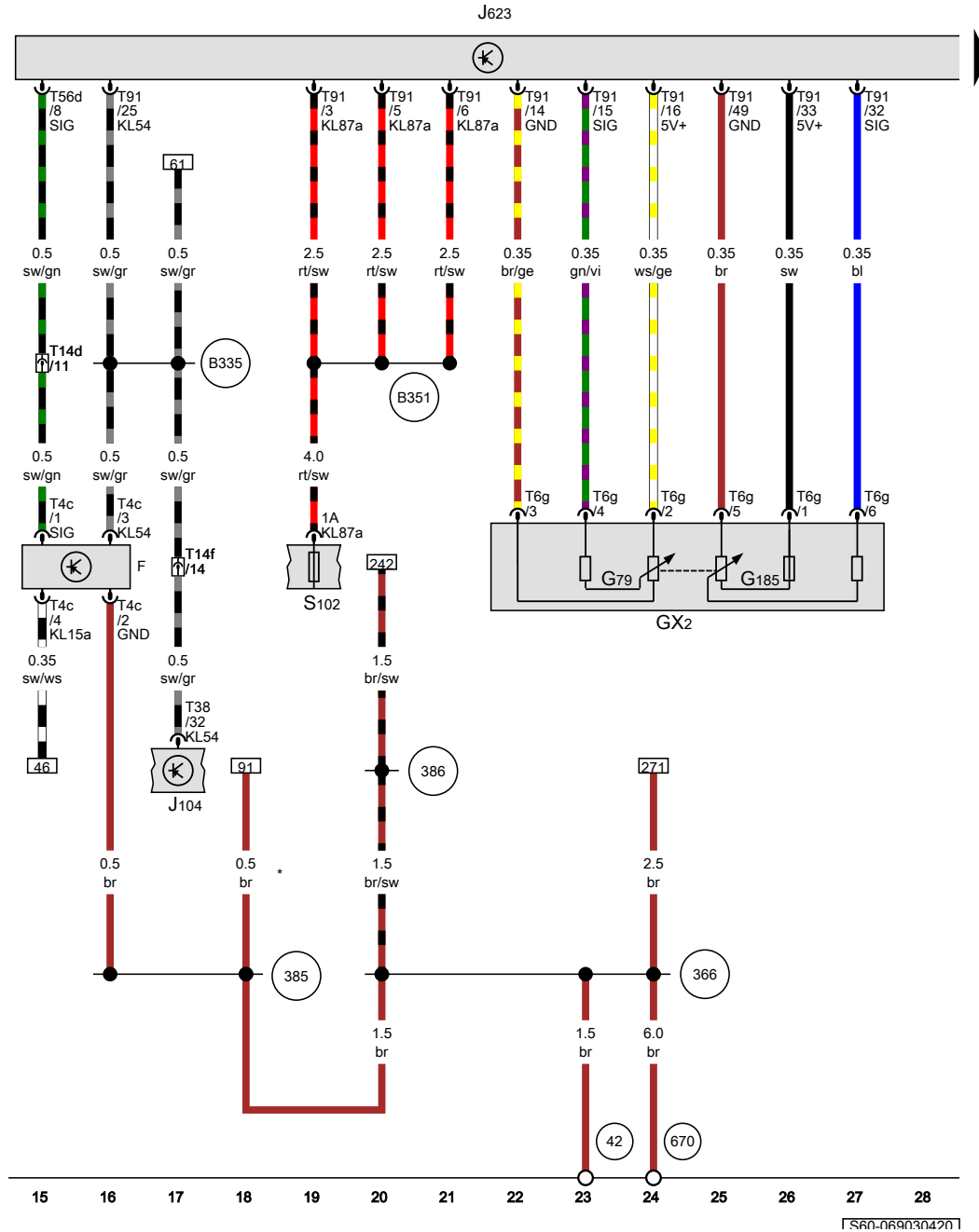


Battery, Starter, Alternator with voltage regulator, Battery monitor control unit, Fuse holder A

- A Battery
- B Starter
- CX1 Alternator with voltage regulator
- J367 Battery monitor control unit
- SA Fuse holder A
- SA2 Fuse 2 on fuse holder A
- SA4 Fuse 4 on fuse holder A
- SA5 Fuse 5 on fuse holder A
- T14c 14-pin connector, grey, near battery
- T14d 14-pin connector, black, near battery
- 12 Earth point, on left in engine compartment
- B334 Positive connection 20 (30a) in main wiring harness
- B549 Connection 2 (LIN bus) in main wiring harness
- B558 Positive connection 22 (30a) in main wiring harness
- * For models with start/stop system
- *2 For models with low fan output
- *3 For models with increased fan output

- ws = white
- sw = black
- ro = red
- rt = red
- br = brown
- gn = green
- bl = blue
- gr = grey
- li = purple
- vi = purple
- ge = yellow
- or = orange
- rs = pink

1560-0690204201



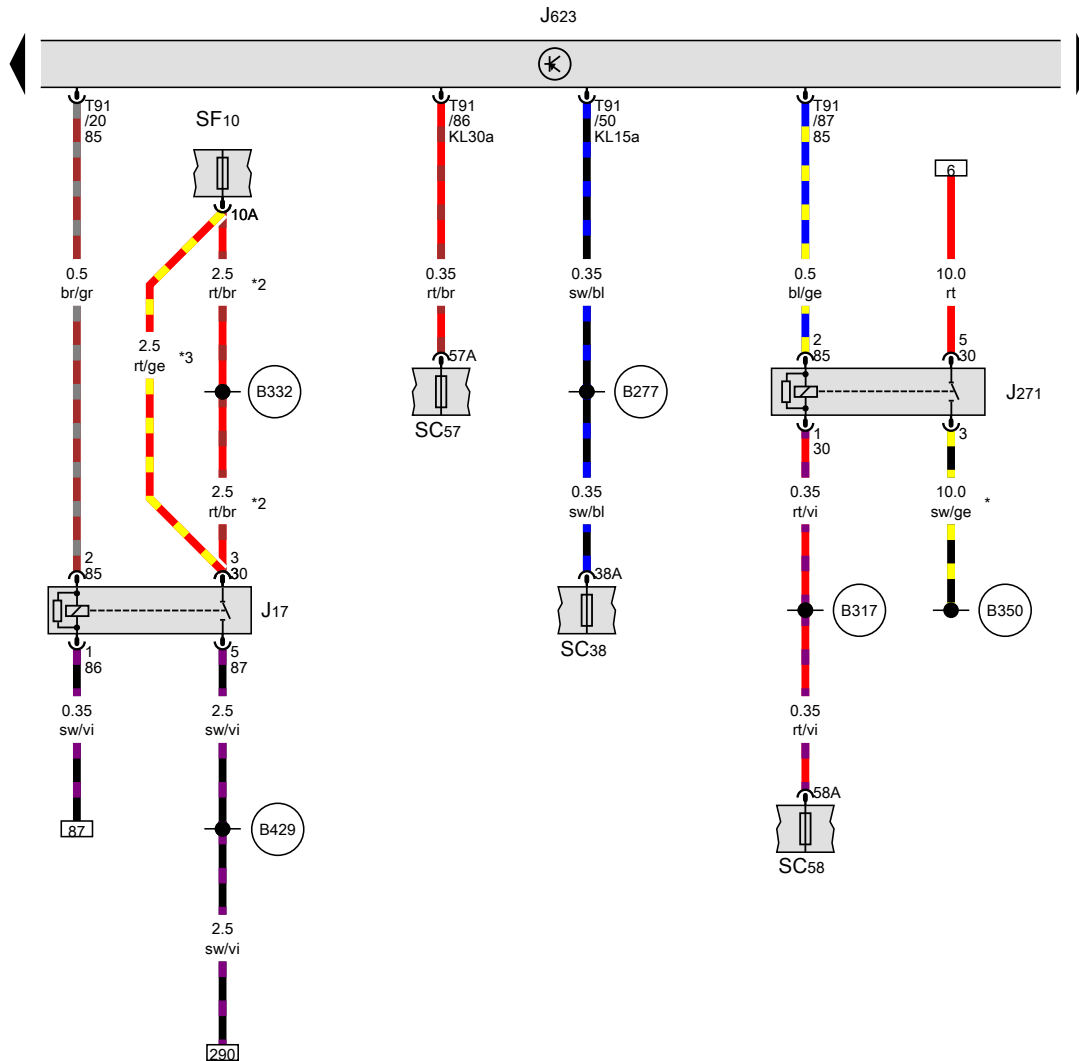
Brake light switch, Accelerator pedal module, Accelerator position sender, Accelerator position sender 2, ABS control unit, Engine/motor control unit, Engine/motor control unit fuse

- F Brake light switch
- GX2 Accelerator pedal module
- G79 Accelerator position sender
- G185 Accelerator position sender 2
- J104 ABS control unit
- J623 Engine/motor control unit
- S102 Engine/motor control unit fuse
- T4c 4-pin connector, black
- T6g 6-pin connector, black
- T14d 14-pin connector, black, near battery
- T14f 14-pin connector, black, near right headlight
- T38 38-pin connector, black
- T56d 56-pin connector, black
- T91 91-pin connector, black

- 42 Earth point, next to steering column
- 366 Earth connection 1, in main wiring harness
- 385 Earth connection 20, in main wiring harness
- 386 Earth connection 21, in main wiring harness
- 670 Earth point 2, left A-pillar
- B335 Connection 1 (54), in main wiring harness
- B351 Positive connection 2 (87a) in main wiring harness
- * For models with manual gearbox

- ws = white
- sw = black
- ro = red
- rt = red
- br = brown
- gn = green
- bl = blue
- gr = grey
- li = purple
- vi = purple
- ge = yellow
- or = orange
- rs = pink

1 2 3 4 5 6 7 8 9 10 11 12 13 14 15 16 17 18 19 20 21 22 23 24 25 26 27 28

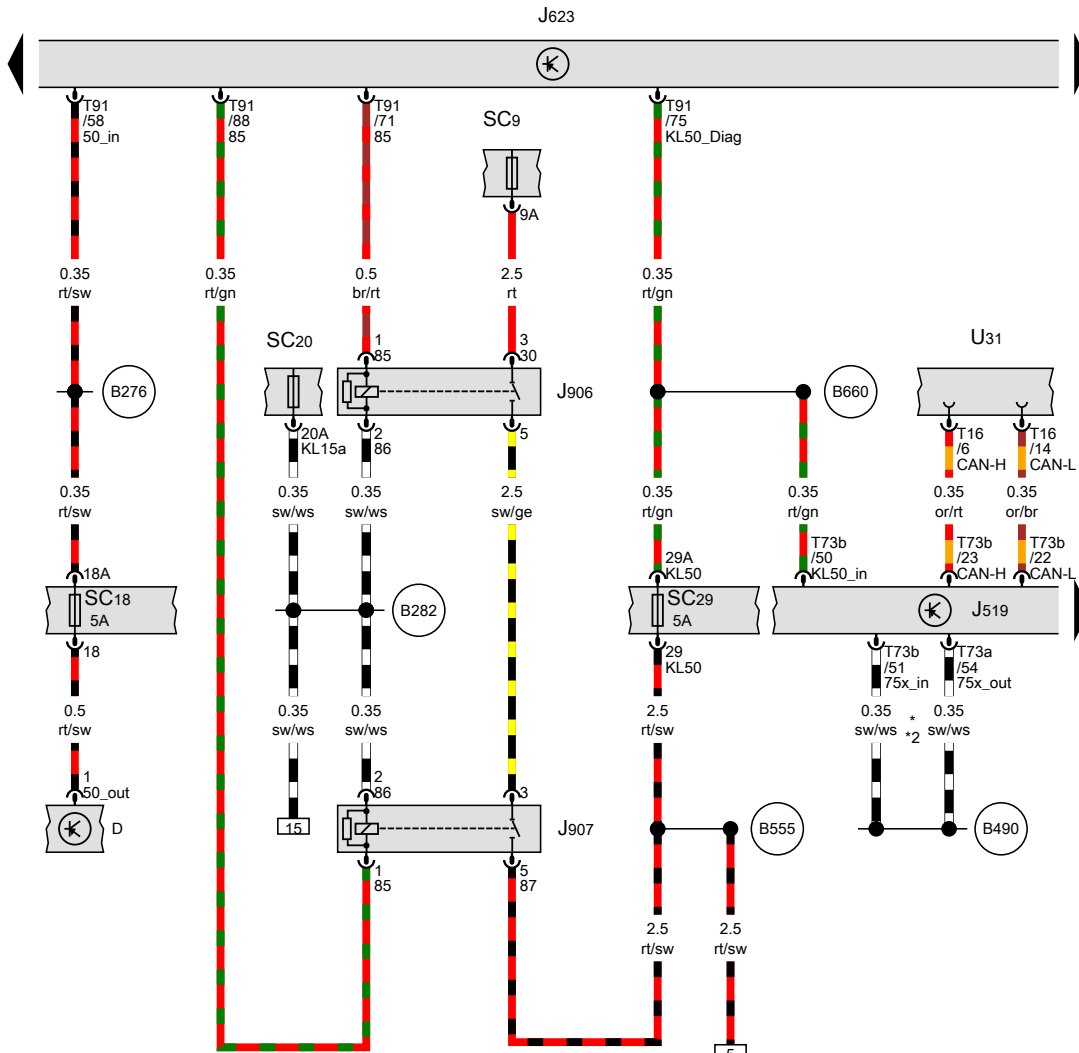


Fuel pump relay, Main relay, Engine/motor control unit, Fuse 10 in fuse holder F, Fuse 38 on fuse holder C, Fuse 57 on fuse holder C, Fuse 58 on fuse holder C

- J17 Fuel pump relay
- J271 Main relay
- J623 Engine/motor control unit
- SF10 Fuse 10 in fuse holder F
- SC38 Fuse 38 on fuse holder C
- SC57 Fuse 57 on fuse holder C
- SC58 Fuse 58 on fuse holder C
- T91 91-pin connector, black
- (B277) Positive connection 1 (15a) in main wiring harness
- (B317) Positive connection 3 (30a) in main wiring harness
- (B332) Positive connection 18 (30a) in main wiring harness
- (B350) Positive connection 1 (87a) in main wiring harness
- (B429) Connection (EFPR), in main wiring harness
- * see applicable current flow diagram for fuse assignment
- *2 Only models with auxiliary coolant heater
- *3 For models with no auxiliary coolant heater

- ws = white
- sw = black
- ro = red
- rt = red
- br = brown
- gn = green
- bl = blue
- gr = grey
- li = purple
- vi = purple
- ge = yellow
- or = orange
- rs = pink

1560-0690404201



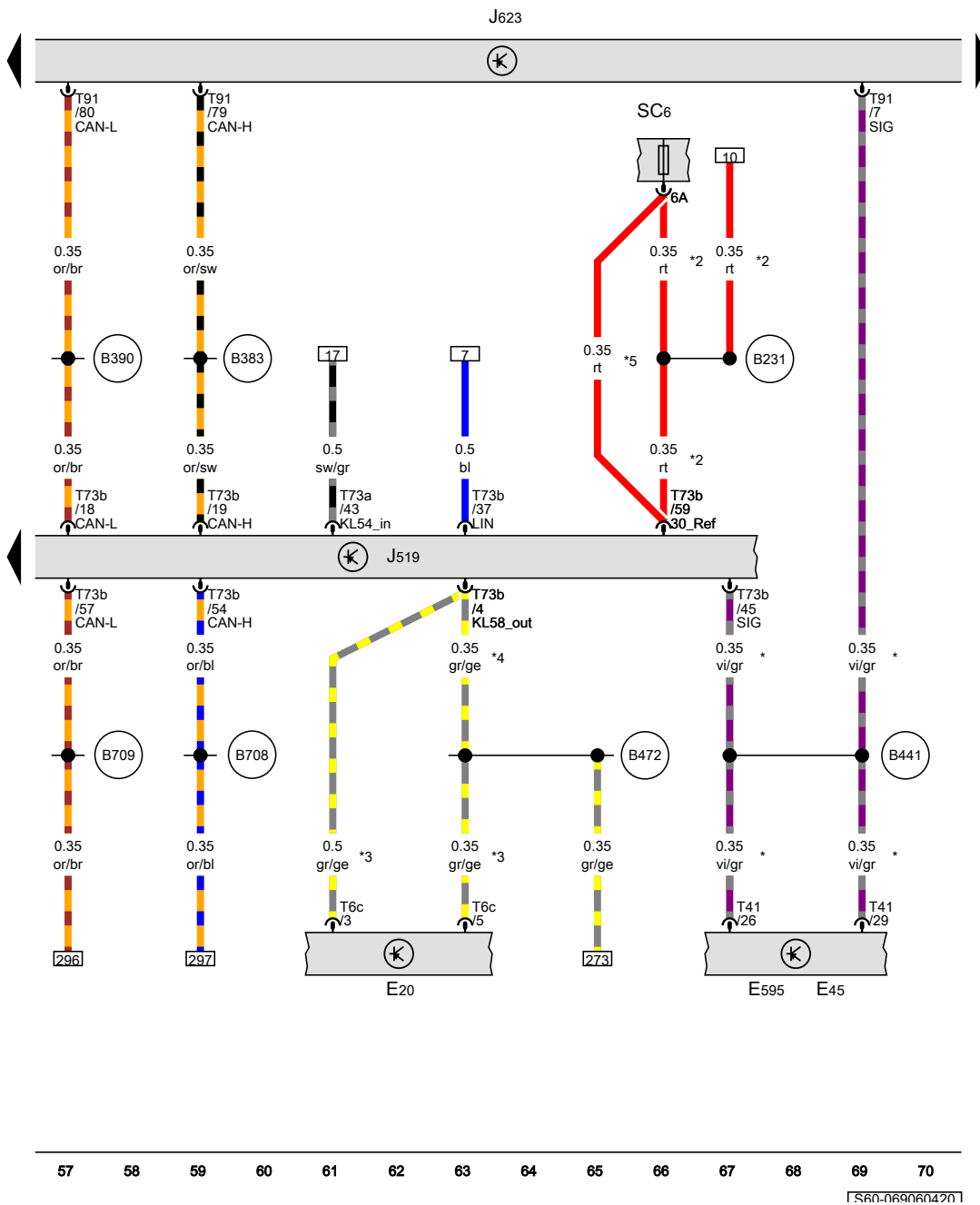
Ignition/starter switch, Onboard supply control unit, Engine/motor control unit, Starter relay 1, Starter relay 2, Fuse 9 on fuse holder C, Fuse 18 on fuse holder C, Fuse 20 on fuse holder C, Fuse 29 on fuse holder C, Diagnostic connection

- D Ignition/starter switch
 - J519 Onboard supply control unit
 - J623 Engine/motor control unit
 - J906 Starter relay 1
 - J907 Starter relay 2
 - SC9 Fuse 9 on fuse holder C
 - SC18 Fuse 18 on fuse holder C
 - SC20 Fuse 20 on fuse holder C
 - SC29 Fuse 29 on fuse holder C
 - T16 16-pin connector, black
 - T73a 73-pin connector, black
 - T73b 73-pin connector, colourless
 - T91 91-pin connector, black
 - U31 Diagnostic connection
- (B276) Positive connection (50), in main wiring harness
 - (B282) Positive connection 6 (15a) in main wiring harness
 - (B490) Connection 26, in main wiring harness
 - (B555) Positive connection 2 (50), in main wiring harness
 - (B660) Connection (diagnosis terminal 50), in main wiring harness
- * For models with no start/stop system
*2 Wire with no function

- ws = white
- sw = black
- ro = red
- rt = red
- br = brown
- gn = green
- bl = blue
- gr = grey
- li = purple
- vi = purple
- ge = yellow
- or = orange
- rs = pink

43 44 45 46 47 48 49 50 51 52 53 54 55 56

1560-0690504201

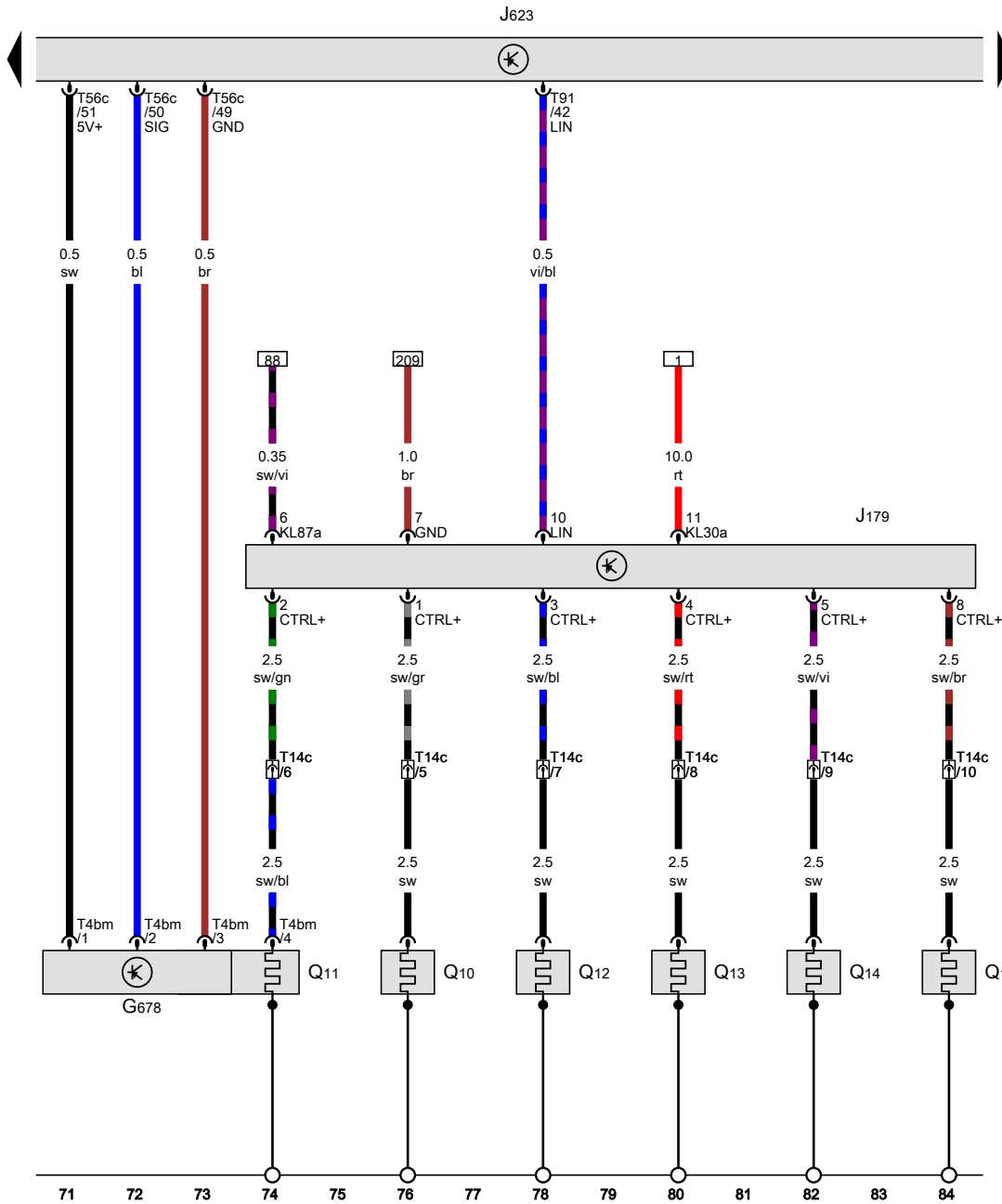


Switch and instrument illumination regulator, Cruise control system switch, Steering column combination switch, Onboard supply control unit, Engine/motor control unit, Fuse 6 on fuse holder C

- E20 Switch and instrument illumination regulator
- E45 Cruise control system switch
- E595 Steering column combination switch
- J519 Onboard supply control unit
- J623 Engine/motor control unit
- SC6 Fuse 6 on fuse holder C
- T6c 6-pin connector, black
- T41 41-pin connector, grey
- T73a 73-pin connector, black
- T73b 73-pin connector, colourless
- T91 91-pin connector, black

- (B231) Positive connection 5 (30a), in interior wiring harness
- (B383) Connection 1 (powertrain CAN bus, high), in main wiring harness
- (B390) Connection 1 (powertrain CAN bus, low), in main wiring harness
- (B441) Connection (CCS), in main wiring harness
- (B472) Connection 8, in main wiring harness
- (B708) Connection 1 (dash panel insert CAN bus high) in main wiring harness
- (B709) Connection 1 (dash panel insert CAN bus low) in main wiring harness
- * For models with cruise control system (CCS)
- *2 For models with start/stop system
- *3 For models with dimmable instrument illumination
- *4 For models with no dimmable instrument illumination
- *5 For models with no start/stop system

Volkswagen Technical Site: <https://vwts.ru>

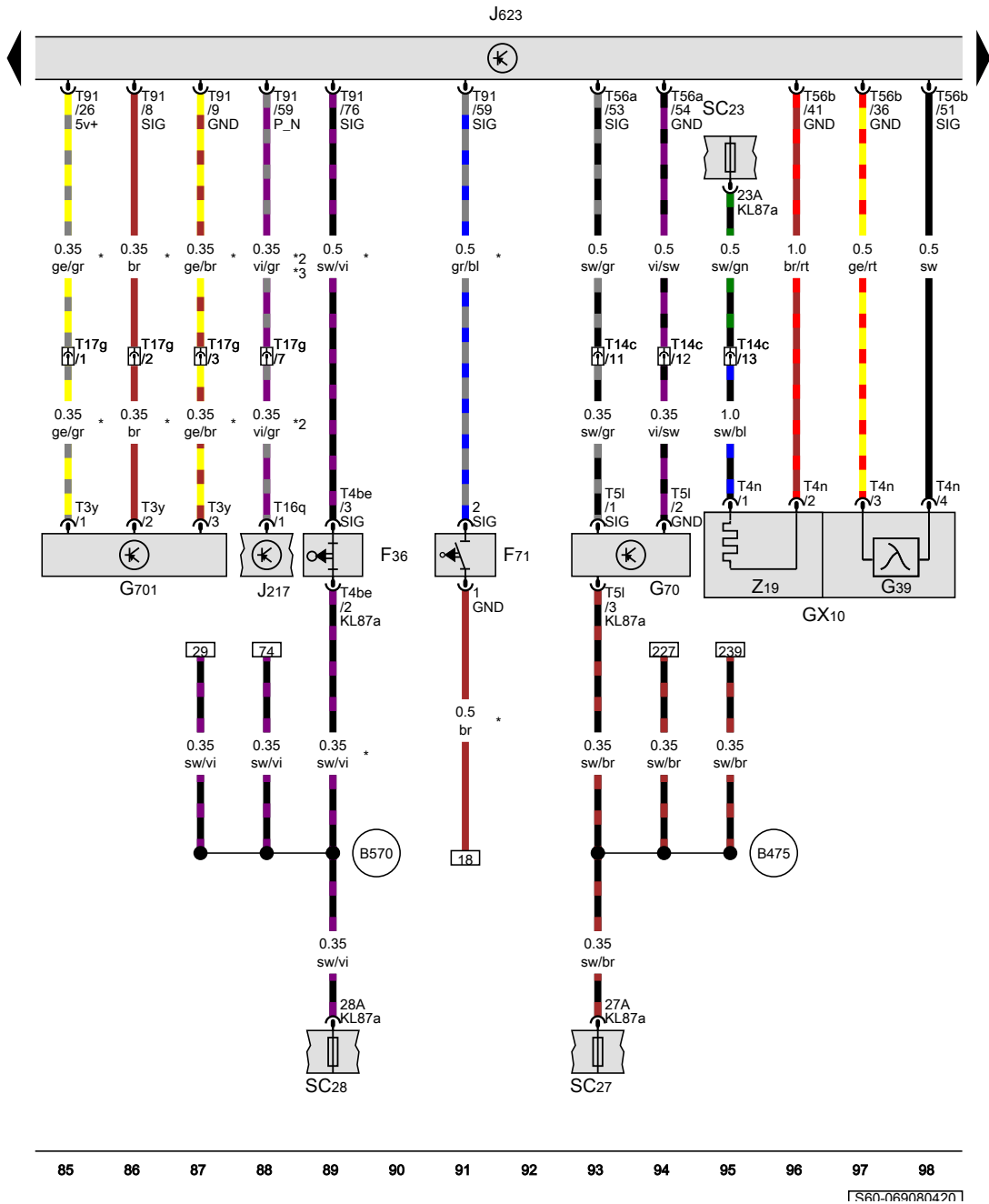


Cylinder 2 combustion chamber pressure sender,
Automatic glow period control unit, Engine/motor control
unit, Glow plug 1, Glow plug 2, Glow plug 3, Glow plug 4,
Glow plug 5, Glow plug 6

- G678 Cylinder 2 combustion chamber pressure sender
- J179 Automatic glow period control unit
- J623 Engine/motor control unit
- Q10 Glow plug 1
- Q11 Glow plug 2
- Q12 Glow plug 3
- Q13 Glow plug 4
- Q14 Glow plug 5
- Q15 Glow plug 6
- T4bm 4-pin connector, black
- T14c 14-pin connector, grey, near battery
- T56c 56-pin connector, black
- T91 91-pin connector, black

- ws = white
- sw = black
- ro = red
- rt = red
- br = brown
- gn = green
- bl = blue
- gr = grey
- li = purple
- vi = purple
- ge = yellow
- or = orange
- rs = pink

1560-0690704201



Clutch pedal switch, Clutch pedal switch for stop/start system, Lambda probe 1 before catalytic converter, Lambda probe, Air mass meter, Gearbox neutral position sender, Automatic gearbox control unit, Engine/motor control unit, Fuse 23 on fuse holder C, Fuse 27 on fuse holder C, Fuse 28 on fuse holder C

- F36 Clutch pedal switch
- F71 Clutch pedal switch for stop/start system
- GX10 Lambda probe 1 before catalytic converter
- G39 Lambda probe
- G70 Air mass meter
- G701 Gearbox neutral position sender
- J217 Automatic gearbox control unit
- J623 Engine/motor control unit
- SC23 Fuse 23 on fuse holder C
- SC27 Fuse 27 on fuse holder C
- SC28 Fuse 28 on fuse holder C
- T3y 3-pin connector, black
- T4be 4-pin connector, black
- T4n 4-pin connector, black
- T5i 5-pin connector, black
- T14c 14-pin connector, grey, near battery
- T16q 16-pin connector, black
- T17g 17-pin connector, black, near handbrake lever
- T56a 56-pin connector, black
- T56b 56-pin connector, black
- T91 91-pin connector, black
- Z19 Lambda probe heater

(B475) Connection 11, in main wiring harness

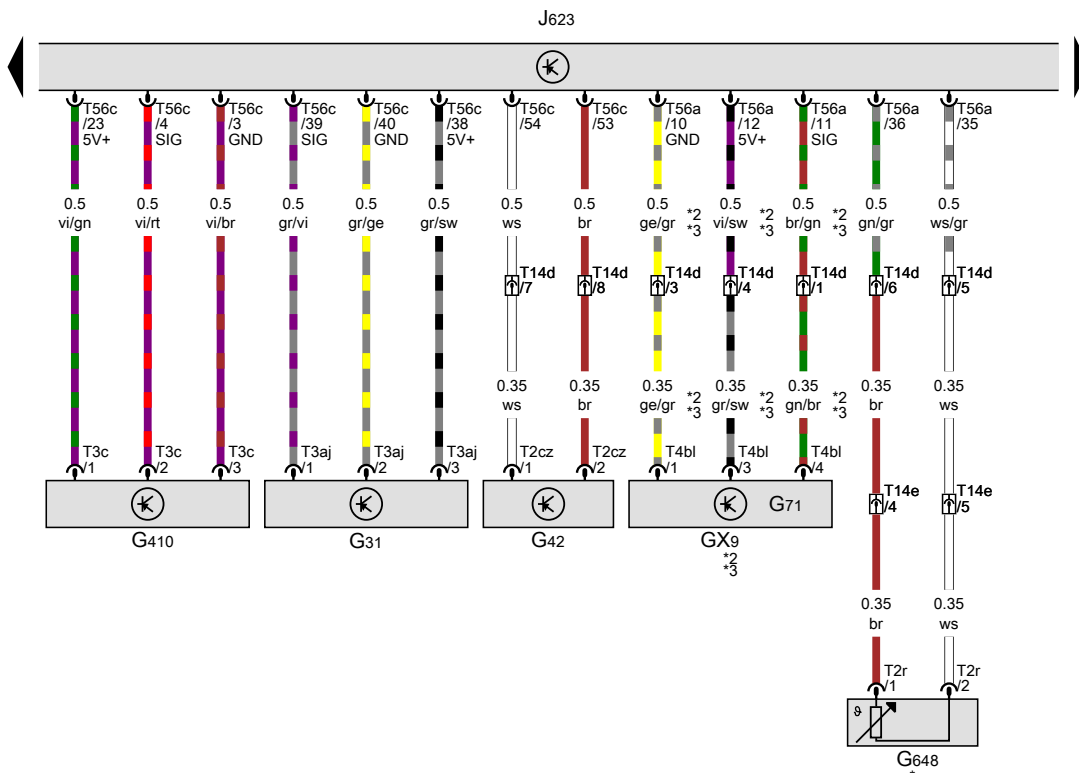
(B570) Connection 37, in main wiring harness

- * For models with manual gearbox
- *2 For models with automatic gearbox
- *3 According to equipment

- ws = white
- sw = black
- ro = red
- rt = red
- br = brown
- gn = green
- bl = blue
- gr = grey
- li = purple
- vi = purple
- ge = yellow
- or = orange
- rs = pink

85 86 87 88 89 90 91 92 93 94 95 96 97 98

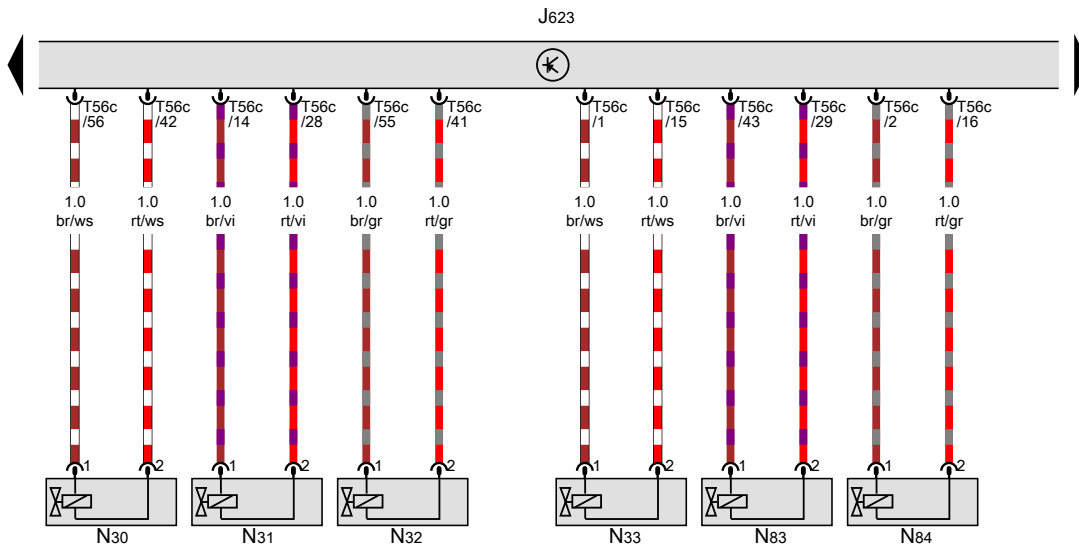
1560-0690804201



Intake manifold sender, Charge pressure sender, Intake air temperature sender, Intake manifold pressure sender, Fuel pressure sender for low pressure, Exhaust gas temperature sender 4, Engine/motor control unit

- GX9 Intake manifold sender
- G31 Charge pressure sender
- G42 Intake air temperature sender
- G71 Intake manifold pressure sender
- G410 Fuel pressure sender for low pressure
- G648 Exhaust gas temperature sender 4
- J623 Engine/motor control unit
- T2cz 2-pin connector, black
- T2r 2-pin connector, light brown
- T3aj 3-pin connector, black
- T3c 3-pin connector, black
- T4bl 4-pin connector, black
- T14d 14-pin connector, black, near battery
- T14e 14-pin connector, grey, near right headlight
- T56a 56-pin connector, black
- T56c 56-pin connector, black
- * Pre-wired component
- *2 For models with Euro 5 emission standard
- *3 For emission standard PL 6 BR

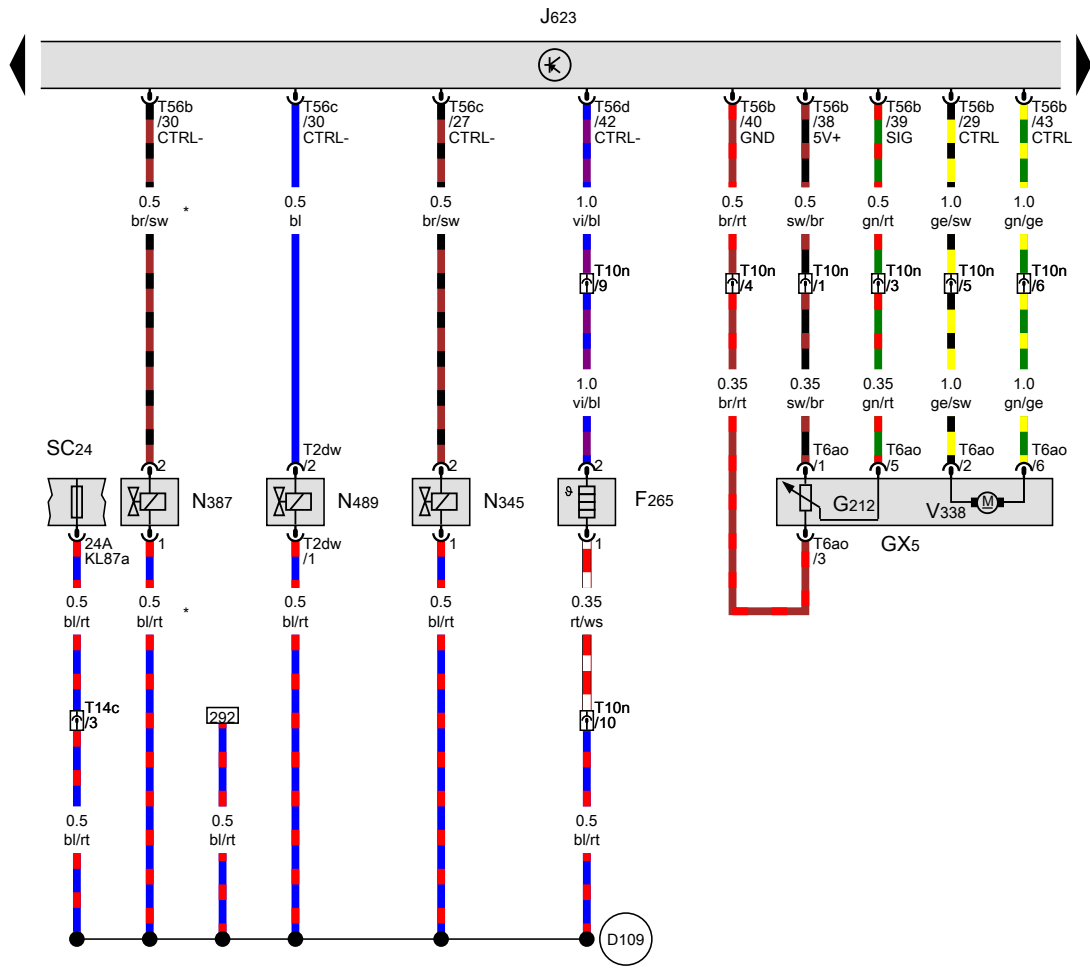
- ws = white
- sw = black
- ro = red
- rt = red
- br = brown
- gn = green
- bl = blue
- gr = grey
- li = purple
- vi = purple
- ge = yellow
- or = orange
- rs = pink



Engine/motor control unit, Injector, cylinder 1, Injector, cylinder 2, Injector, cylinder 3, Injector, cylinder 4, Injector, cylinder 5, Injector, cylinder 6

- J623 Engine/motor control unit
- N30 Injector, cylinder 1
- N31 Injector, cylinder 2
- N32 Injector, cylinder 3
- N33 Injector, cylinder 4
- N83 Injector, cylinder 5
- N84 Injector, cylinder 6
- T56c 56-pin connector, black

- ws = white
- sw = black
- ro = red
- rt = red
- br = brown
- gn = green
- bl = blue
- gr = grey
- li = purple
- vi = purple
- ge = yellow
- or = orange
- rs = pink



Map-controlled engine cooling system thermostat, Exhaust gas recirculation valve 1, Engine/motor control unit, Exhaust gas recirculation cooler changeover valve, Exhaust gas recirculation cooling bypass valve 2, Coolant valve for cylinder head, Fuse 24 on fuse holder C

- F265 Map-controlled engine cooling system thermostat
- GX5 Exhaust gas recirculation valve 1
- G212 Exhaust gas recirculation potentiometer
- J623 Engine/motor control unit
- N345 Exhaust gas recirculation cooler changeover valve
- N387 Exhaust gas recirculation cooling bypass valve 2
- N489 Coolant valve for cylinder head
- SC24 Fuse 24 on fuse holder C
- T2dw 2-pin connector, grey
- T6ao 6-pin connector, grey
- T10n 10-pin connector, black
- T14c 14-pin connector, grey, near battery
- T56b 56-pin connector, black
- T56c 56-pin connector, black
- T56d 56-pin connector, black
- V338 Exhaust gas recirculation control motor

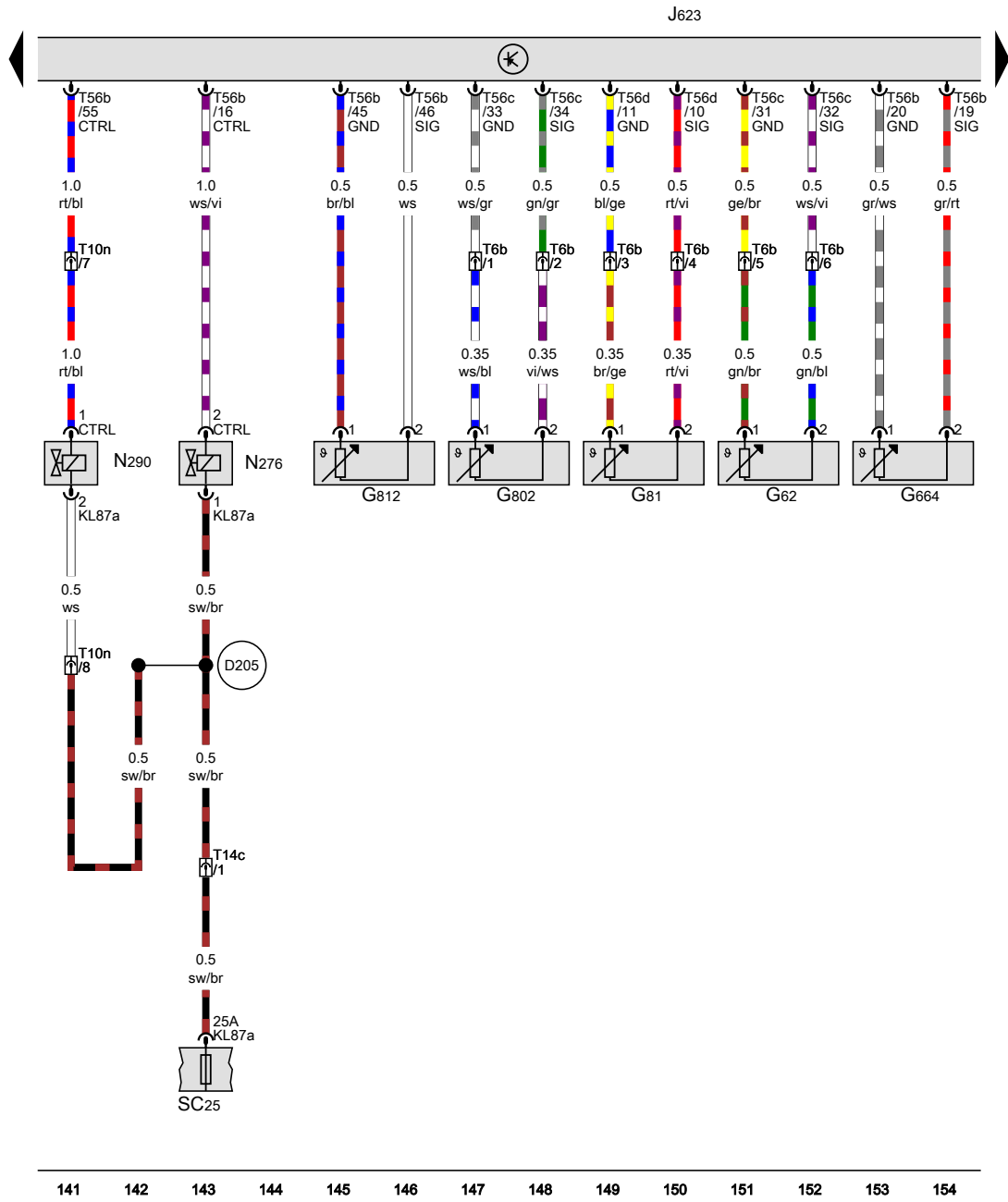
D109 Connection 7 in engine compartment wiring harness

* For emission standard PL 6 BR

- ws = white
- sw = black
- ro = red
- rt = red
- br = brown
- gn = green
- bl = blue
- gr = grey
- li = purple
- vi = purple
- ge = yellow
- or = orange
- rs = pink

127 128 129 130 131 132 133 134 135 136 137 138 139 140

1560-0691104201



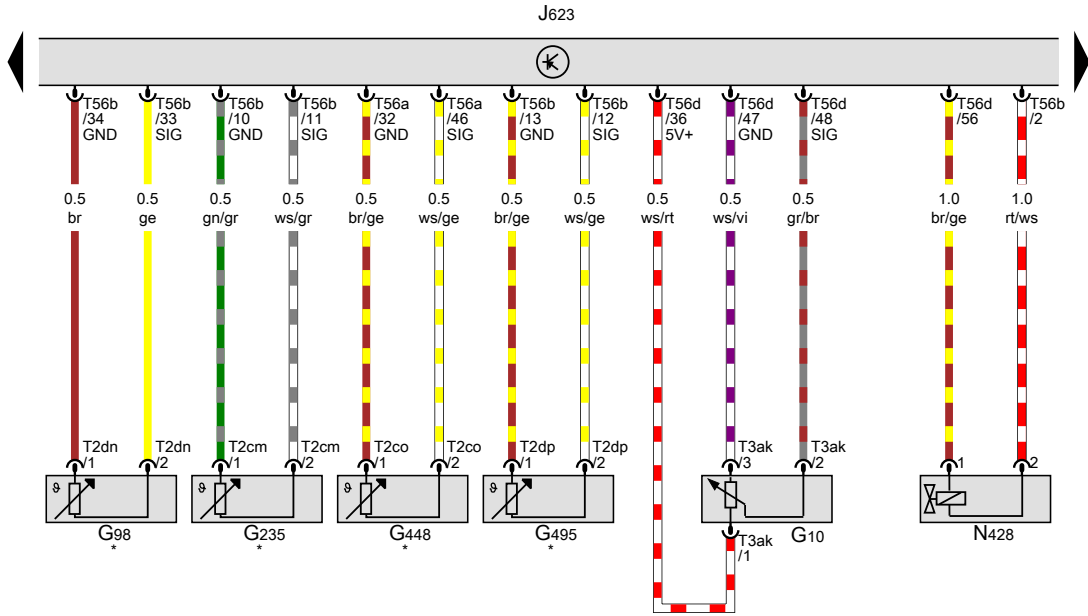
Coolant temperature sender, Fuel temperature sender, Oil temperature sender 2, Coolant temperature sender 2, Coolant temperature sender 3, Engine/motor control unit, Fuel pressure regulating valve, Fuel metering valve, Fuse 25 on fuse holder C

- G62 Coolant temperature sender
- G81 Fuel temperature sender
- G664 Oil temperature sender 2
- G802 Coolant temperature sender 2
- G812 Coolant temperature sender 3
- J623 Engine/motor control unit
- N276 Fuel pressure regulating valve
- N290 Fuel metering valve
- SC25 Fuse 25 on fuse holder C
- T6b 6-pin connector, black
- T10n 10-pin connector, black
- T14c 14-pin connector, grey, near battery
- T56b 56-pin connector, black
- T56c 56-pin connector, black
- T56d 56-pin connector, black
- D205 Connection 3 (87a) in engine prewiring harness

- ws = white
- sw = black
- ro = red
- rt = red
- br = brown
- gn = green
- bl = blue
- gr = grey
- li = purple
- vi = purple
- ge = yellow
- or = orange
- rs = pink

141 142 143 144 145 146 147 148 149 150 151 152 153 154

1560-0691204201



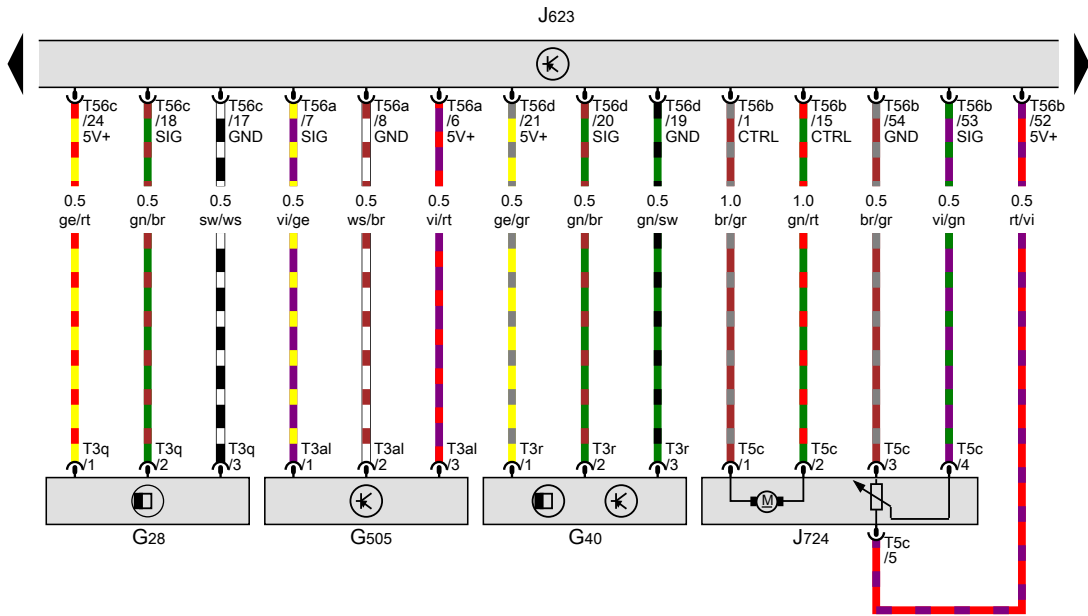
Oil pressure sender, Exhaust gas recirculation temperature sensor, Exhaust gas temperature sender 1, Exhaust gas temperature sender 2, Exhaust gas temperature sender 3, Engine/motor control unit, Valve for oil pressure control

- G10 Oil pressure sender
- G98 Exhaust gas recirculation temperature sensor
- G235 Exhaust gas temperature sender 1
- G448 Exhaust gas temperature sender 2
- G495 Exhaust gas temperature sender 3
- J623 Engine/motor control unit
- N428 Valve for oil pressure control
- T2cm 2-pin connector, black
- T2co 2-pin connector, black
- T2dn 2-pin connector, light brown
- T2dp 2-pin connector, brown
- T3ak 3-pin connector, black
- T56a 56-pin connector, black
- T56b 56-pin connector, black
- T56d 56-pin connector, black
- * Pre-wired component

- ws = white
- sw = black
- ro = red
- rt = red
- br = brown
- gn = green
- bl = blue
- gr = grey
- li = purple
- vi = purple
- ge = yellow
- or = orange
- rs = pink

155 156 157 158 159 160 161 162 163 164 165 166 167 168

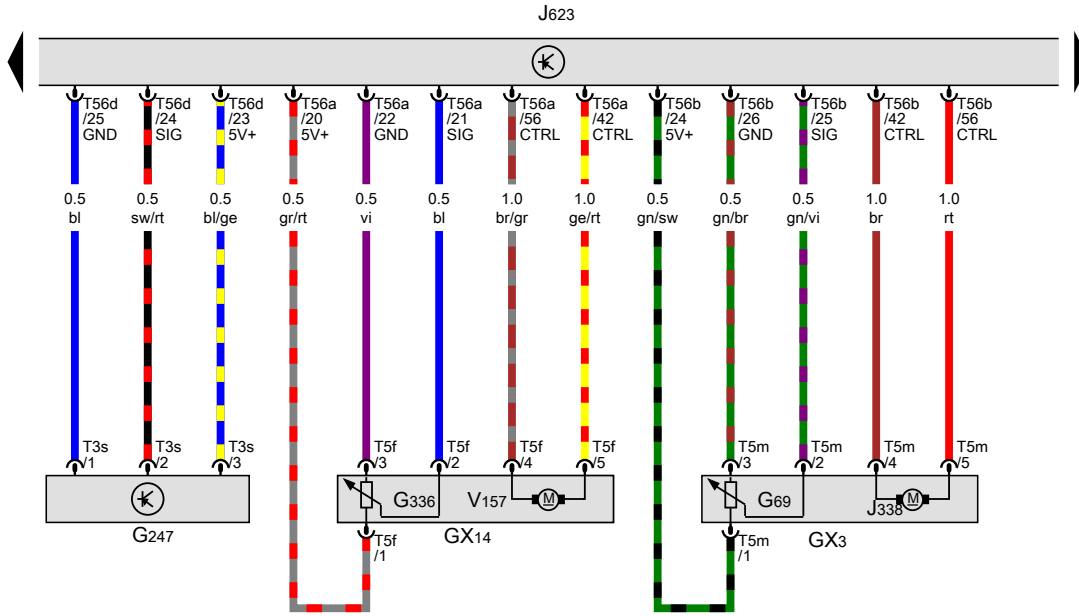
[S60-069130420]



Engine speed sender, Hall sender, Pressure differential sender, Engine/motor control unit, Turbocharger 1 control unit

- G28 Engine speed sender
- G40 Hall sender
- G505 Pressure differential sender
- J623 Engine/motor control unit
- J724 Turbocharger 1 control unit
- T3al 3-pin connector, black
- T3q 3-pin connector, black
- T3r 3-pin connector, black
- T5c 5-pin connector, black
- T56a 56-pin connector, black
- T56b 56-pin connector, black
- T56c 56-pin connector, black
- T56d 56-pin connector, black

- ws = white
- sw = black
- ro = red
- rt = red
- br = brown
- gn = green
- bl = blue
- gr = grey
- li = purple
- vi = purple
- ge = yellow
- or = orange
- rs = pink



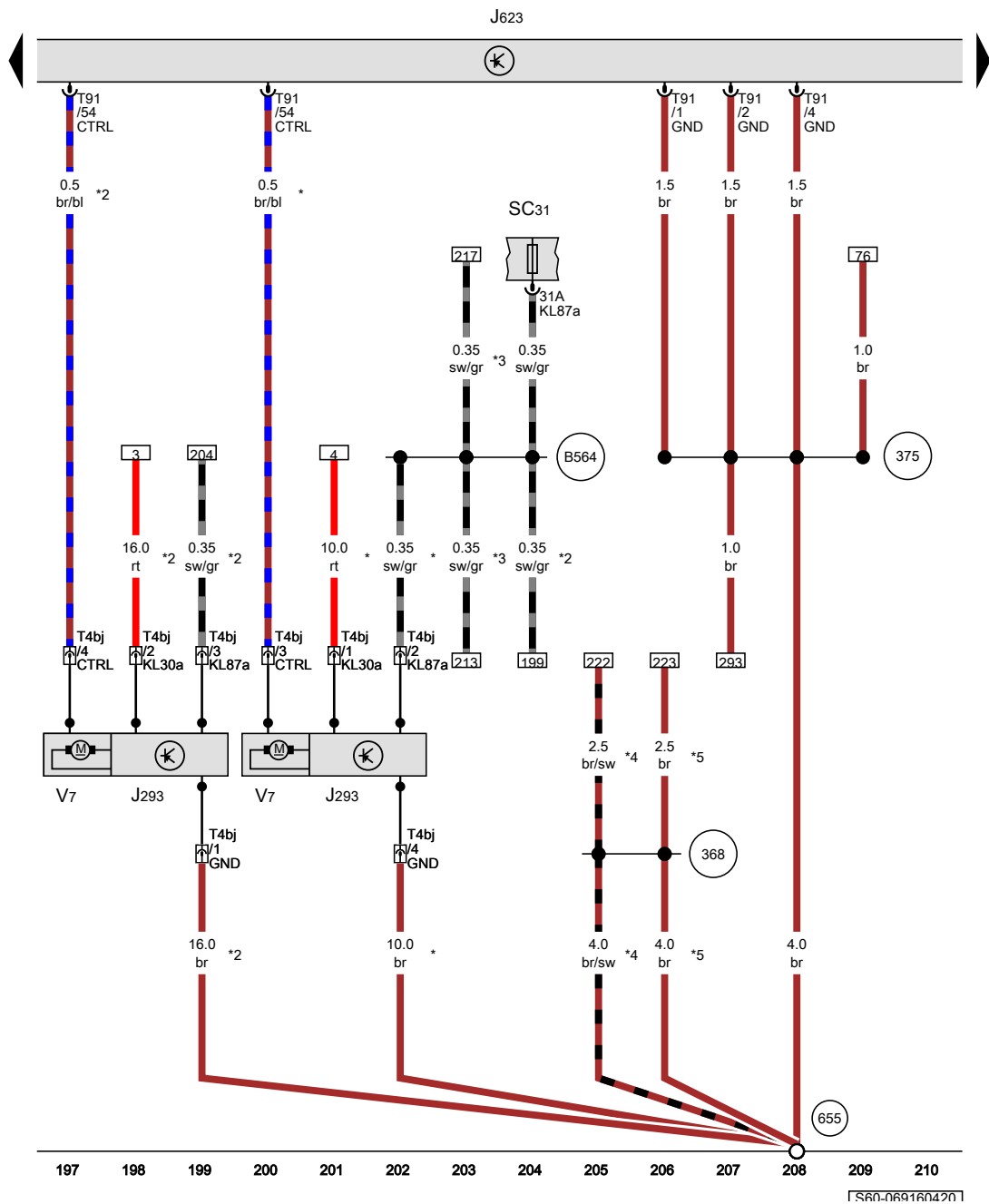
Throttle valve module, Intake manifold flap control unit, Fuel pressure sender, Engine/motor control unit

- GX3 Throttle valve module
- GX14 Intake manifold flap control unit
- G69 Throttle valve potentiometer
- G247 Fuel pressure sender
- G336 Intake manifold flap potentiometer
- J338 Throttle valve module
- J623 Engine/motor control unit
- T3s 3-pin connector, black
- T5f 5-pin connector, black
- T5m 5-pin connector, black
- T56a 56-pin connector, black
- T56b 56-pin connector, black
- T56d 56-pin connector, black
- V157 Intake manifold flap motor

- ws = white
- sw = black
- ro = red
- rt = red
- br = brown
- gn = green
- bl = blue
- gr = grey
- li = purple
- vi = purple
- ge = yellow
- or = orange
- rs = pink

183 184 185 186 187 188 189 190 191 192 193 194 195 196

[560-069150420]



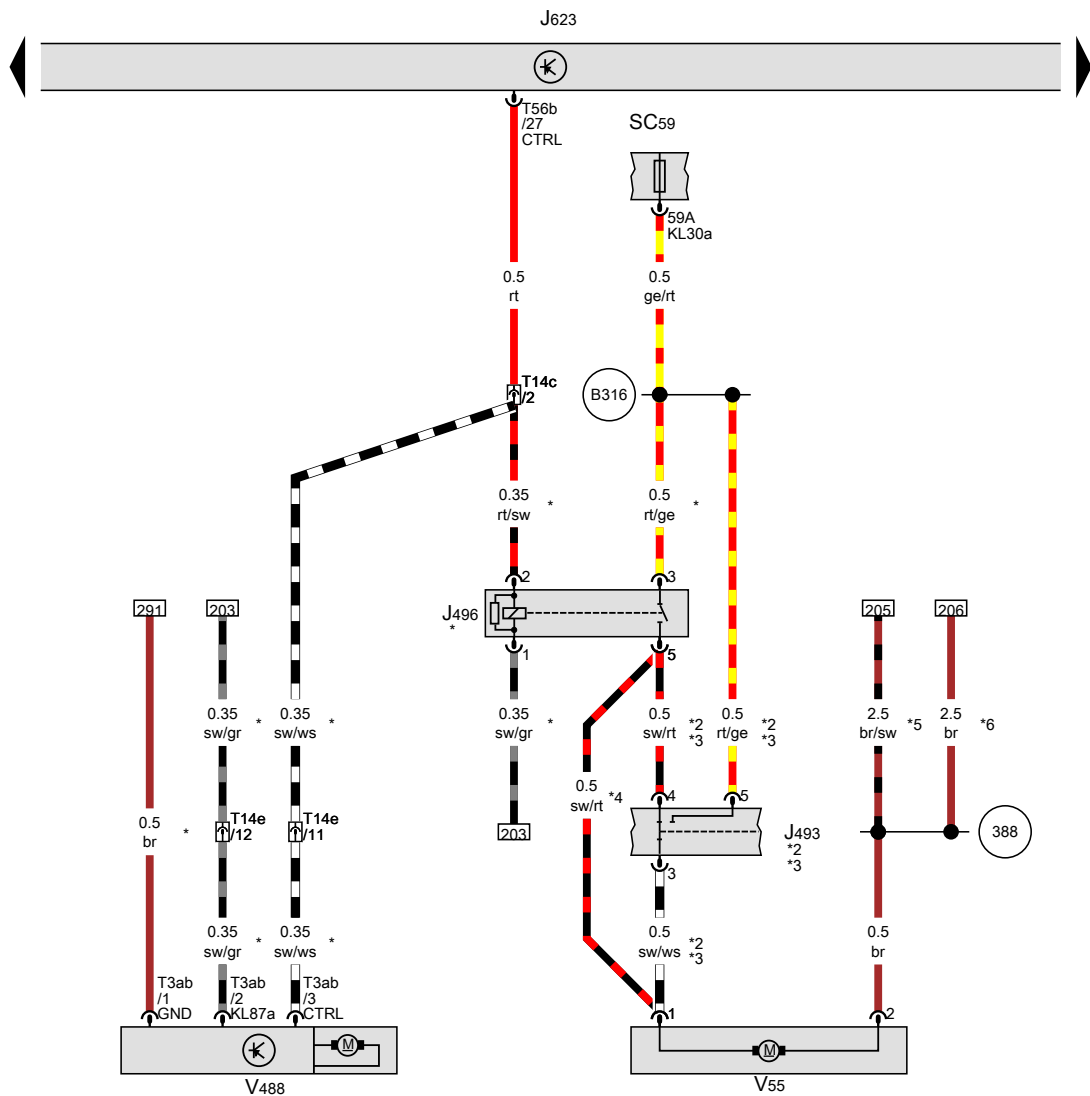
Radiator fan control unit, Engine/motor control unit, Fuse 31 on fuse holder C, Radiator fan

- J293 Radiator fan control unit
- J623 Engine/motor control unit
- SC31 Fuse 31 on fuse holder C
- T4bj 4-pin connector, black, on radiator cowling
- T91 91-pin connector, black
- V7 Radiator fan

- (368) Earth connection 3, in main wiring harness
- (375) Earth connection 10, in main wiring harness
- (655) Earth point, on left headlight
- (B564) Connection 31, in main wiring harness

- * For models with low fan output
- *2 For models with increased fan output
- *3 According to equipment
- *4 For left-hand drive models
- *5 For right-hand drive models

- ws = white
- sw = black
- ro = red
- rt = red
- br = brown
- gn = green
- bl = blue
- gr = grey
- li = purple
- vi = purple
- ge = yellow
- or = orange
- rs = pink



Auxiliary coolant heater relay, Additional coolant pump relay, Engine/motor control unit, Fuse 59 on fuse holder C, Circulation pump, Auxiliary pump for heating

- J493 Auxiliary coolant heater relay, on relay carrier
- J496 Additional coolant pump relay
- J623 Engine/motor control unit
- SC59 Fuse 59 on fuse holder C
- T3ab 3-pin connector, black
- T14c 14-pin connector, grey, near battery
- T14e 14-pin connector, grey, near right headlight
- T56b 56-pin connector, black
- V55 Circulation pump, in engine compartment, near left headlight
- V488 Auxiliary pump for heating, in engine compartment, near right headlight

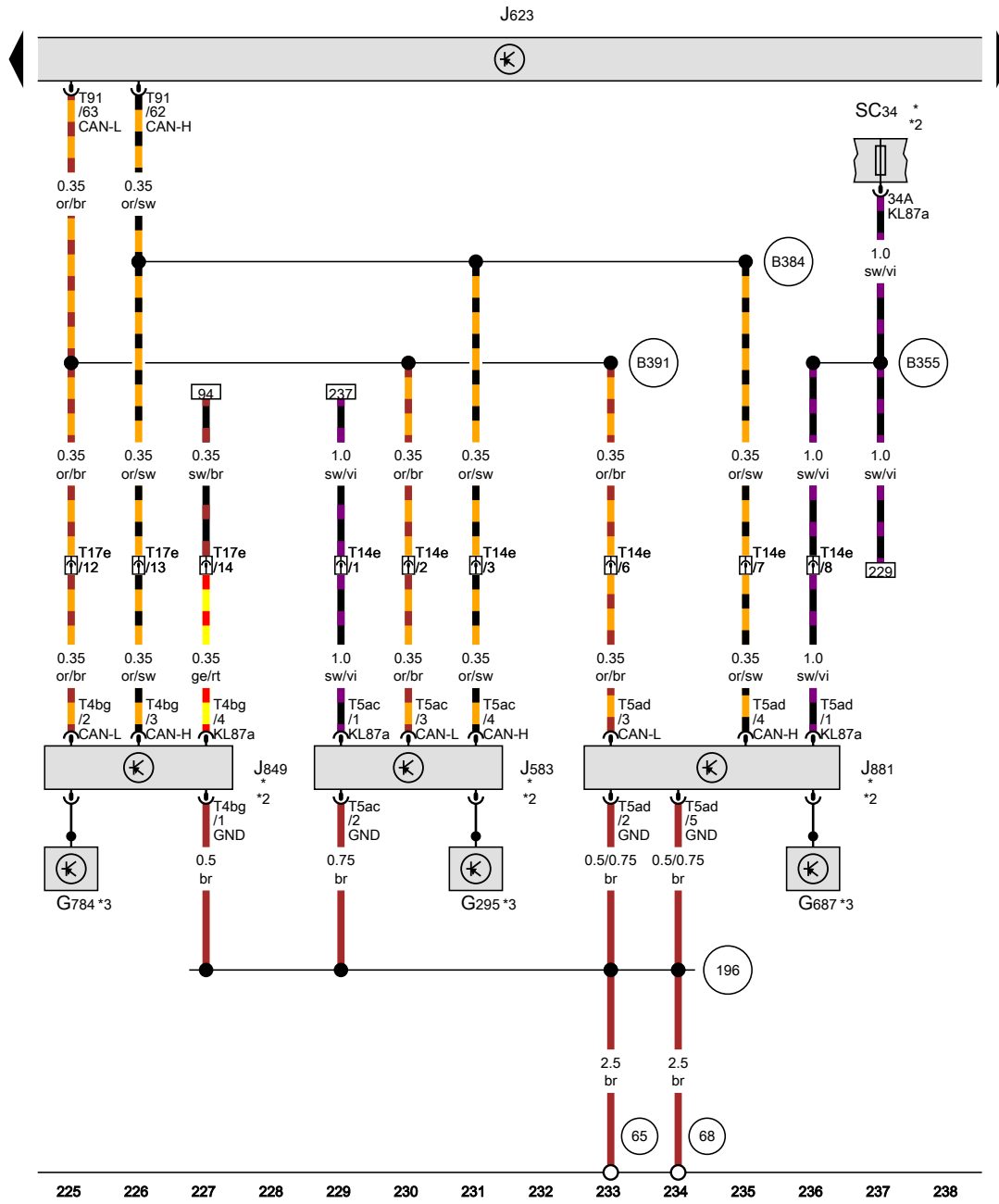
- 388 Earth connection 23, in main wiring harness
- B316 Positive connection 2 (30a) in main wiring harness

- * According to equipment
- *2 For models with Climatronic
- *3 For models with Climatic
- *4 For models with no air conditioning system
- *5 For left-hand drive models
- *6 For right-hand drive models

- ws = white
- sw = black
- ro = red
- rt = red
- br = brown
- gn = green
- bl = blue
- gr = grey
- li = purple
- vi = purple
- ge = yellow
- or = orange
- rs = pink

211 212 213 214 215 216 217 218 219 220 221 222 223 224

1560-0691704201



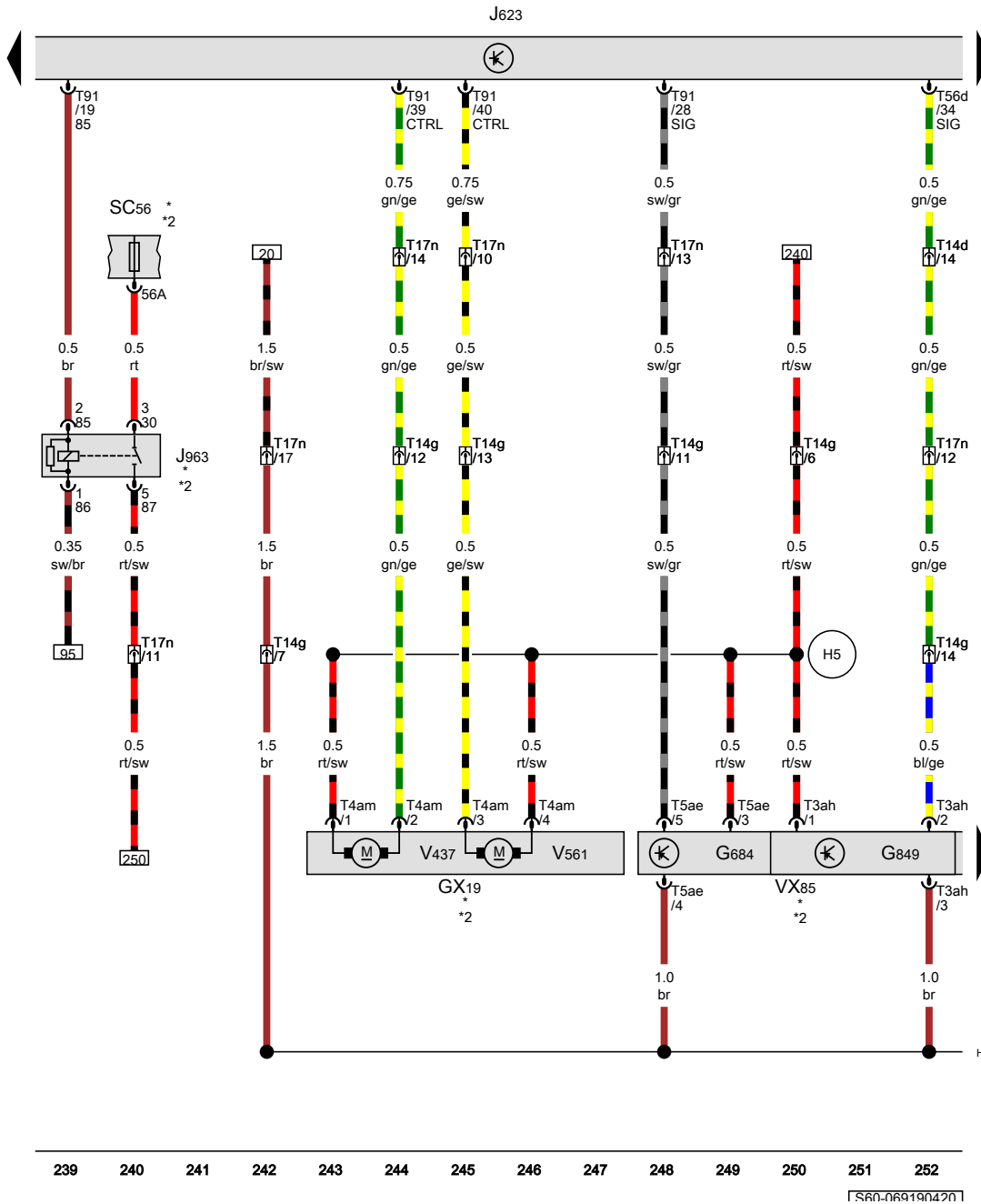
NOx sender, NOx sender 2, Particulate sensor, Engine/ motor control unit, Fuse 34 on fuse holder C

- G295 NOx sender
- G687 NOx sender 2
- G784 Particulate sensor
- J583 Control unit for NOx sender
- J623 Engine/motor control unit
- J849 Control unit for sensor electronics
- J881 Control unit for NOx sender 2
- SC34 Fuse 34 on fuse holder C
- T4bg 4-pin connector, black
- T5ac 5-pin connector, black
- T5ad 5-pin connector, black
- T14e 14-pin connector, grey, near right headlight
- T17e 17-pin connector, red, near handbrake lever
- T91 91-pin connector, black

- (65) Earth point, on rear of left longitudinal member
- (68) Earth point, on left of rear cross member
- (196) Earth connection 3, in rear wiring harness
- (B355) Positive connection 6 (87a) in main wiring harness
- (B384) Connection 2 (powertrain CAN bus, high), in main wiring harness
- (B391) Connection 2 (powertrain CAN bus, low), in main wiring harness
- * For models with Euro 6 emission standard
- *2 Not for models with equipment for Brazil
- *3 Pre-wired component

- ws = white
- sw = black
- ro = red
- rt = red
- br = brown
- gn = green
- bl = blue
- gr = grey
- li = purple
- vi = purple
- ge = yellow
- or = orange
- rs = pink

1560-0691804201



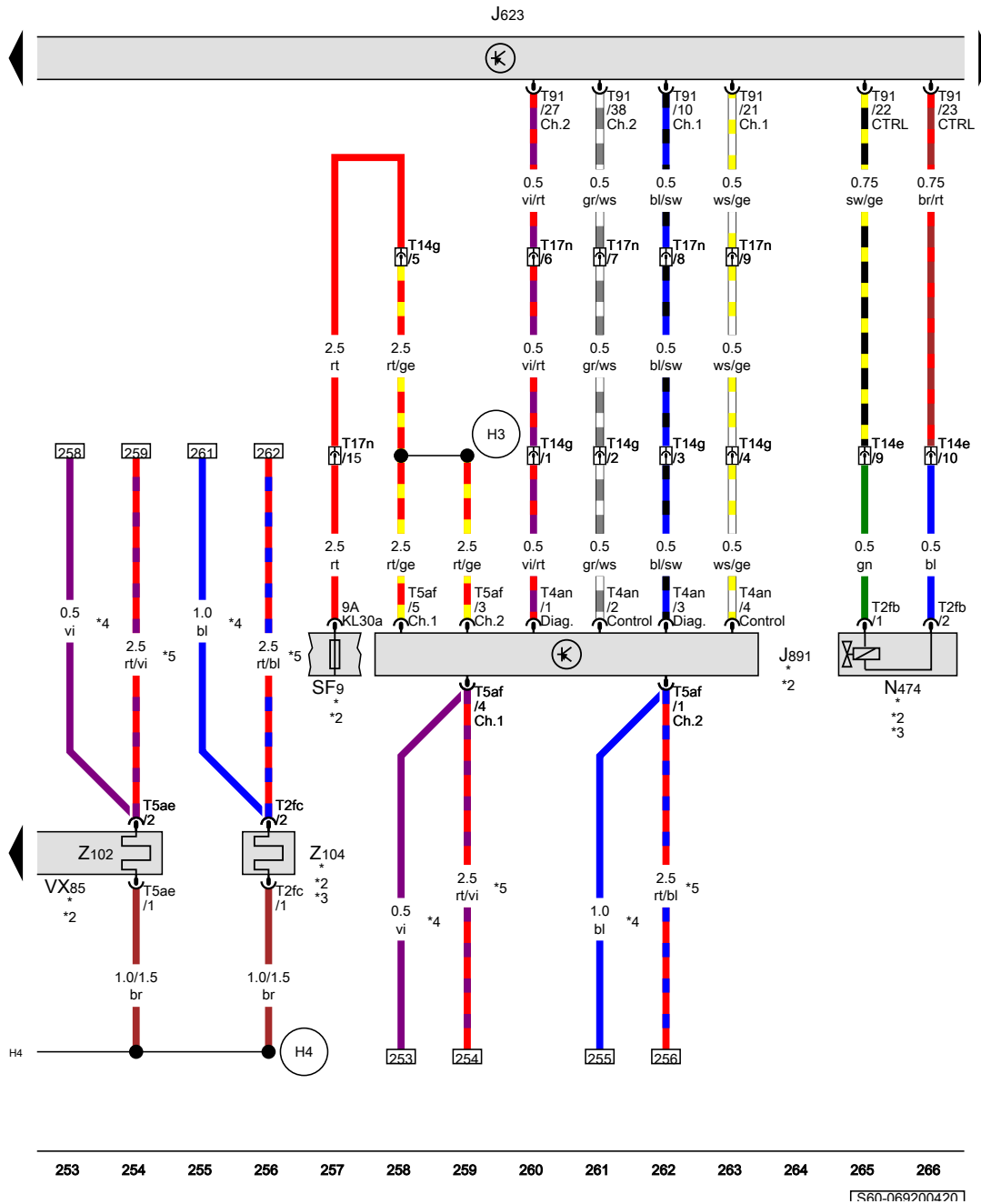
Delivery unit for reducing agent metering system, Engine/motor control unit, Relay for reducing agent metering system, Fuse 56 on fuse holder C, Reducing agent tank

- GX19 Delivery unit for reducing agent metering system, on reducing-agent tank
- G684 Tank sender for reducing agent, in reducing agent tank
- G849 Reducing agent quality sensor, in reducing agent tank
- J623 Engine/motor control unit
- J963 Relay for reducing agent metering system
- SC56 Fuse 56 on fuse holder C
- T3ah 3-pin connector, black
- T4am 4-pin connector, black
- T5ae 5-pin connector, black
- T14d 14-pin connector, black, near battery
- T14g 14-pin connector, grey, rear
- T17n 17-pin connector, green, near handbrake lever
- T56d 56-pin connector, black
- V437 Pump for reducing agent, on reducing-agent tank
- V561 Reducing agent return flow pump, on reducing-agent tank

- H4 Connection 2 in wiring harness for reducing agent tank
- H5 Connection 3 in wiring harness for reducing agent tank

* For models with Euro 6 emission standard
 *2 Not for models with equipment for Brazil

- ws = white
- sw = black
- ro = red
- rt = red
- br = brown
- gn = green
- bl = blue
- gr = grey
- li = purple
- vi = purple
- ge = yellow
- or = orange
- rs = pink

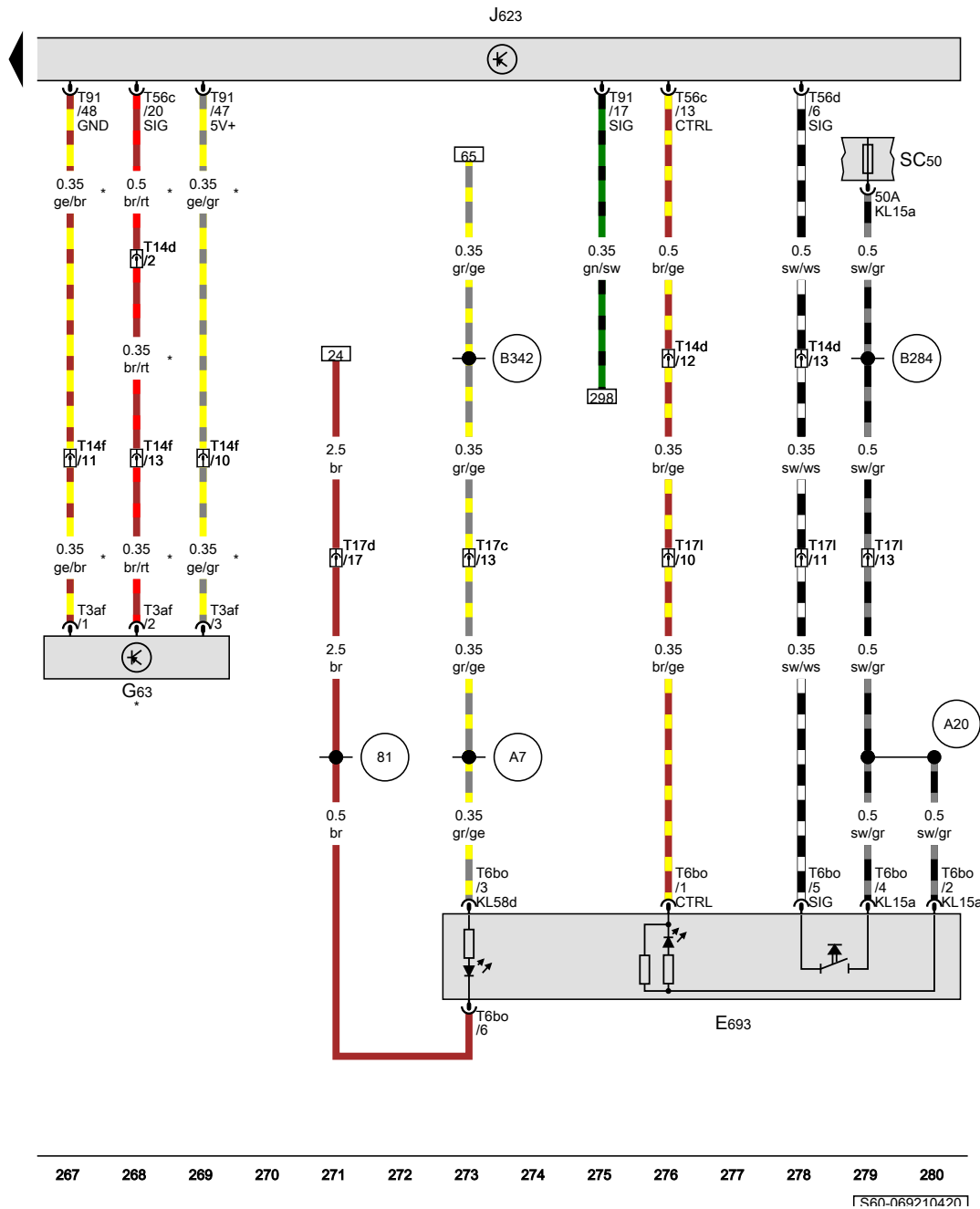


Engine/motor control unit, Control unit for reducing agent heater, Injector for reducing agent, Fuse 9 in fuse holder F, Reducing agent tank, Heater for reducing agent line (heater circuit 2)

- J623 Engine/motor control unit
- J891 Control unit for reducing agent heater
- N474 Injector for reducing agent
- SF9 Fuse 9 in fuse holder F
- T2fb 2-pin connector, black
- T2fc 2-pin connector, black
- T4an 4-pin connector, black
- T5ae 5-pin connector, black
- T5af 5-pin connector, colourless
- T14e 14-pin connector, grey, near right headlight
- T14g 14-pin connector, grey, rear
- T17n 17-pin connector, green, near handbrake lever
- T91 91-pin connector, black
- VX85 Reducing agent tank
- Z102 Heater for reducing agent tank (heater circuit 1), in reducing agent tank
- Z104 Heater for reducing agent line (heater circuit 2)
- H3 Connection 1 in wiring harness for reducing agent tank
- H4 Connection 2 in wiring harness for reducing agent tank
- * For models with Euro 6 emission standard
- *2 Not for models with equipment for Brazil
- *3 Pre-wired component
- *4 Up to February 2020
- *5 From February 2020

- ws = white
- sw = black
- ro = red
- rt = red
- br = brown
- gn = green
- bl = blue
- gr = grey
- li = purple
- vi = purple
- ge = yellow
- or = orange
- rs = pink

1560-0692004201

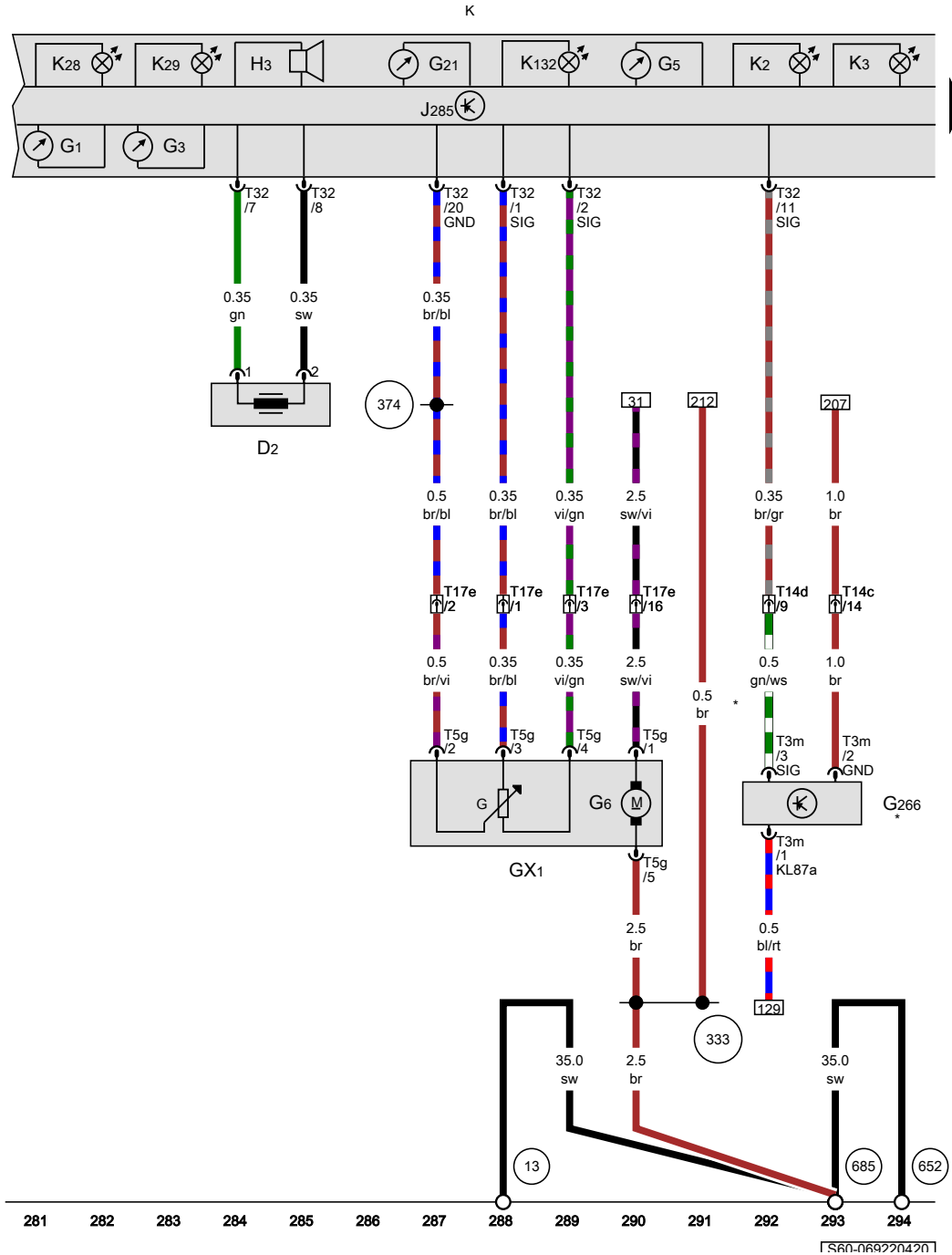


Start/Stop operation button, Water separator sender, Engine/motor control unit, Fuse 50 on fuse holder C

- E693 Start/Stop operation button
- G63 Water separator sender
- J623 Engine/motor control unit
- SC50 Fuse 50 on fuse holder C
- T3af 3-pin connector, brown
- T6bo 6-pin connector, grey
- T14d 14-pin connector, black, near battery
- T14f 14-pin connector, black, near right headlight
- T17c 17-pin connector, white, behind dash panel
- T17d 17-pin connector, green, behind dash panel
- T17i 17-pin connector, brown, behind dash panel
- T56c 56-pin connector, black
- T56d 56-pin connector, black
- T91 91-pin connector, black

- 81 Earth connection 1, in dash panel wiring harness
- A7 Positive connection (58 D1), in dash panel wiring harness
- A20 Positive connection (15a), in dash panel wiring harness
- B284 Positive connection 8 (15a) in main wiring harness
- B342 Connection 3 (58d), in main wiring harness
- * Country specific

- ws = white
- sw = black
- ro = red
- rt = red
- br = brown
- gn = green
- bl = blue
- gr = grey
- li = purple
- vi = purple
- ge = yellow
- or = orange
- rs = pink

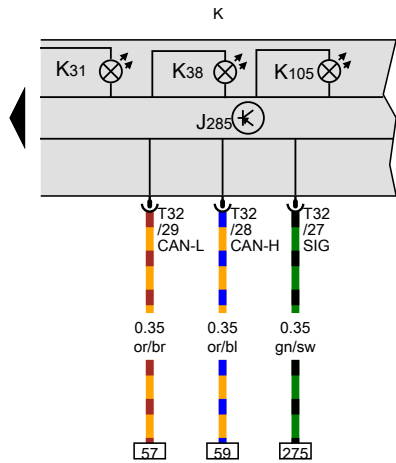


Fuel system pressurisation pump, Oil level and oil temperature sender, Dash panel insert

- D2 Immobiliser reader coil
 - G Fuel gauge sender
 - GX1 Fuel delivery unit
 - G1 Fuel gauge
 - G3 Coolant temperature gauge
 - G5 Rev counter
 - G6 Fuel system pressurisation pump
 - G21 Speedometer
 - G266 Oil level and oil temperature sender
 - H3 Buzzer and gong
 - J285 Control unit in dash panel insert
 - K Dash panel insert
 - K2 Alternator warning lamp
 - K3 Oil pressure warning lamp
 - K28 Coolant temperature and coolant shortage warning lamp
 - K29 Glow period warning lamp
 - K132 Electronic power control fault lamp
 - T3m 3-pin connector, black
 - T5g 5-pin connector, black
 - T14c 14-pin connector, grey, near battery
 - T14d 14-pin connector, black, near battery
 - T17e 17-pin connector, red, near handbrake lever
 - T32 32-pin connector, blue
- 13 Earth point, on right in engine compartment
 - 333 Earth connection 5, in rear wiring harness
 - 374 Earth connection 9, in main wiring harness
 - 652 Earth point, engine and gearbox earth
 - 685 Earth point 1, on front of right longitudinal member
- * According to equipment

- ws = white
- sw = black
- ro = red
- rt = red
- br = brown
- gn = green
- bl = blue
- gr = grey
- li = purple
- vi = purple
- ge = yellow
- or = orange
- rs = pink

1S60-0692204201



Dash panel insert

- J285 Control unit in dash panel insert
- K Dash panel insert
- K31 Cruise control system warning lamp
- K38 Oil level warning lamp
- K105 Reserve fuel warning lamp
- T32 32-pin connector, blue

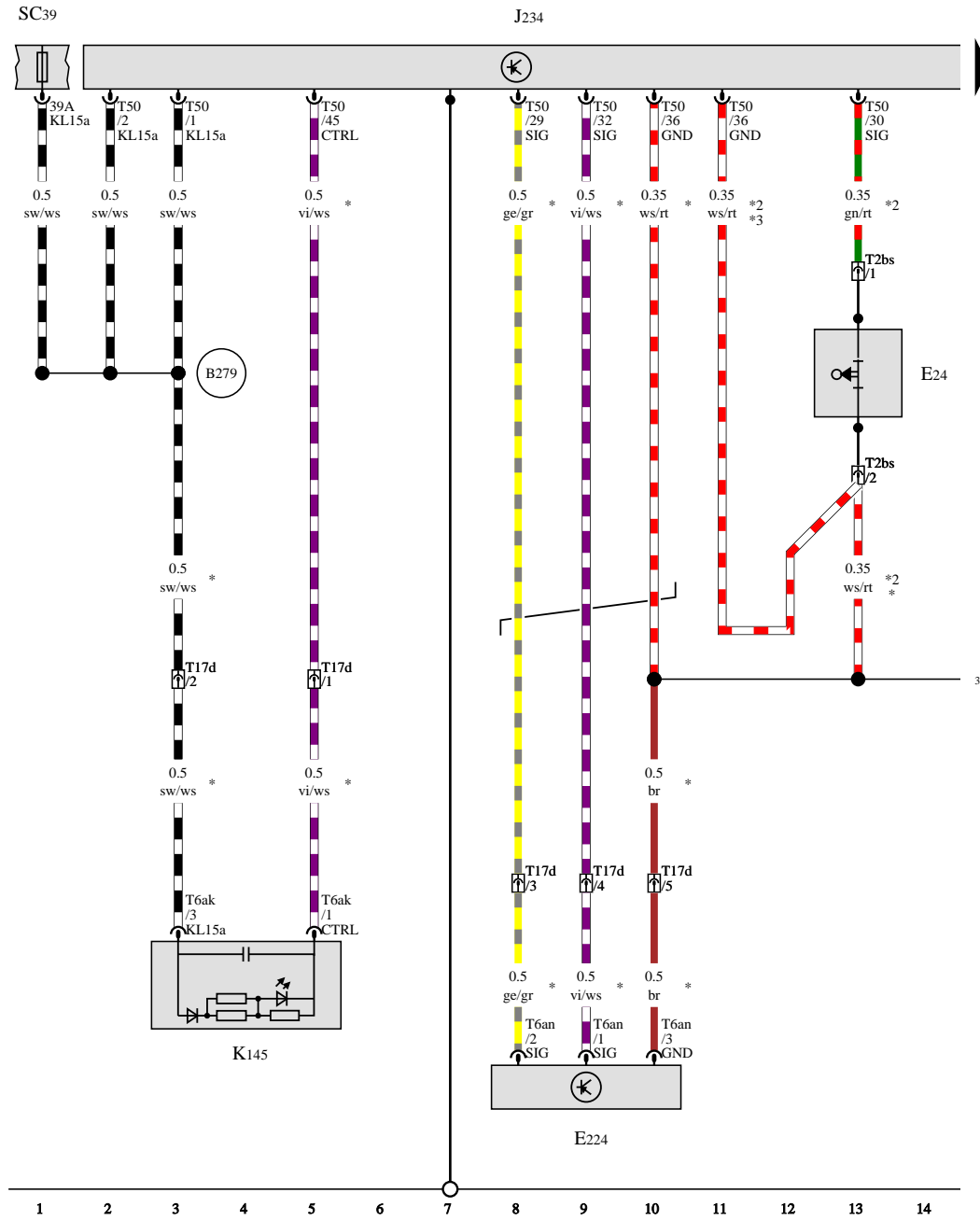
- ws = white
- sw = black
- ro = red
- rt = red
- br = brown
- gn = green
- bl = blue
- gr = grey
- li = purple
- vi = purple
- ge = yellow
- or = orange
- rs = pink

295 296 297 298 299 300 301 302 303 304 305 306 307 308

[560-069230420]

Airbag systems for LHD vehicles , (L0L),(NZ0),(4X0)

From February 2020



Driver side belt switch, Key-operated switch to deactivate airbag on front passenger side, Airbag control unit, Warning lamp for airbag deactivated on front passenger side, Fuse 39 on fuse holder C

- E24 Driver side belt switch
- E224 Key-operated switch to deactivate airbag on front passenger side
- J234 Airbag control unit, under centre console
- K145 Warning lamp for airbag deactivated on front passenger side
- SC39 Fuse 39 on fuse holder C
- T2bs 2-pin connector, black, under driver seat
- T6ak 6-pin connector, brown
- T6an 6-pin connector, yellow
- T17d 17-pin connector, green, behind dash panel
- T50 50-pin connector, yellow

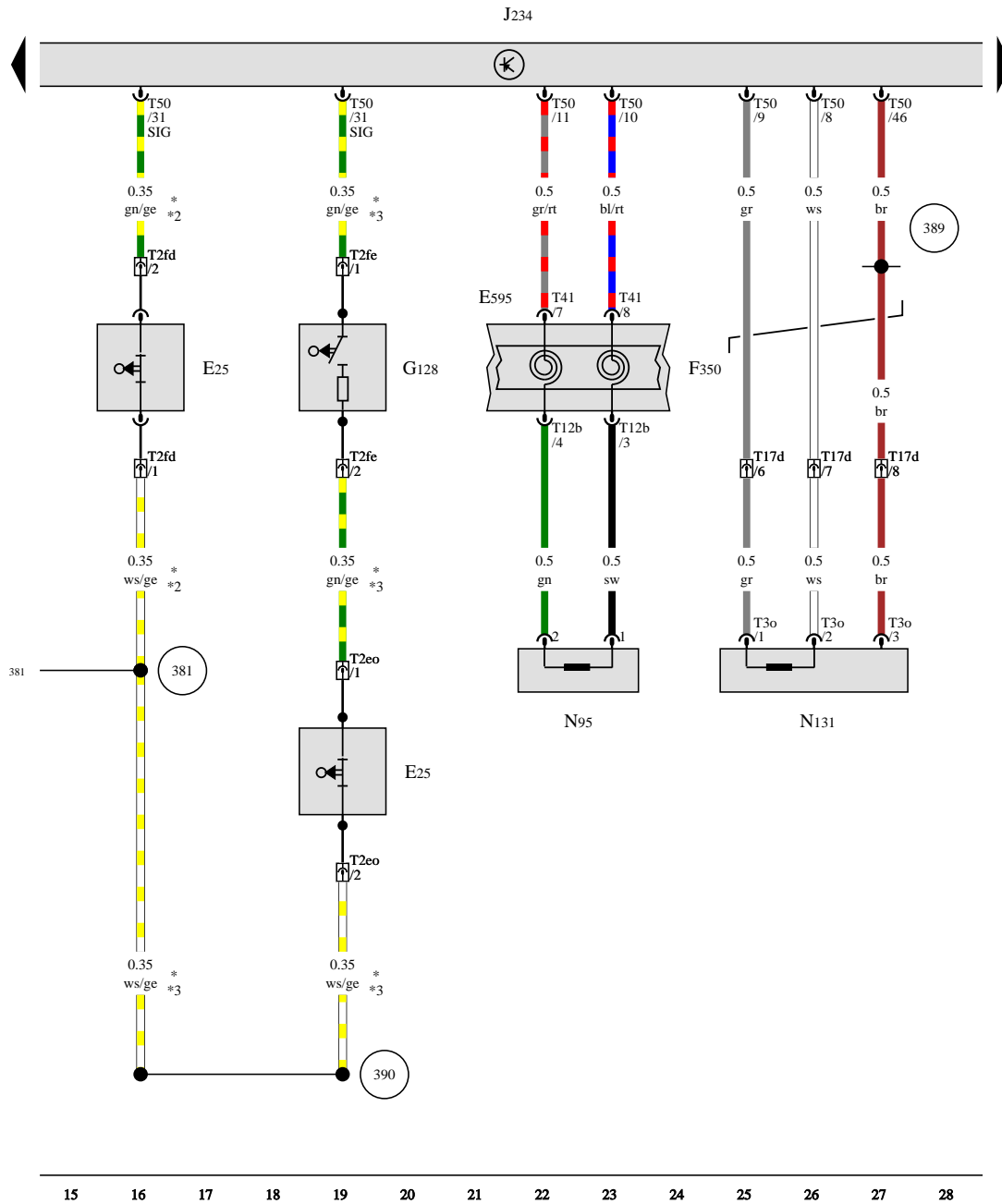
381 Earth connection 16, in main wiring harness

B279 Positive connection 3 (15a) in main wiring harness

- * For models with key-operated switch to deactivate front passenger airbag
- *2 For models with belt switch
- *3 For models with no key-operated switch to deactivate front passenger airbag

- ws = white
- sw = black
- ro = red
- rt = red
- br = brown
- gn = green
- bl = blue
- gr = grey
- li = purple
- vi = purple
- ge = yellow
- or = orange
- rs = pink

S6L-070070371



Front passenger side belt switch, Steering column combination switch, Coil connector, Seat occupied sensor on front passenger side, Airbag control unit, Airbag igniter on driver side, Airbag igniter 1 on front passenger side

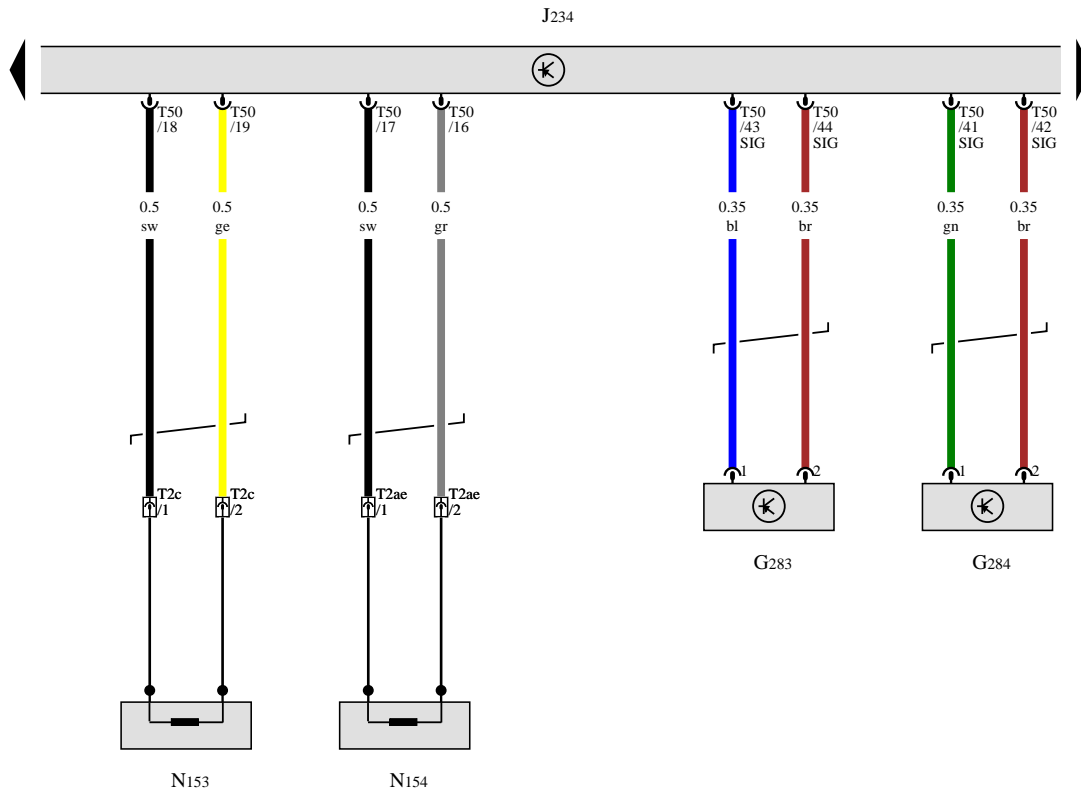
- E25 Front passenger side belt switch
- E595 Steering column combination switch
- F350 Coil connector
- G128 Seat occupied sensor on front passenger side
- J234 Airbag control unit, under centre console
- N95 Airbag igniter on driver side
- N131 Airbag igniter 1 on front passenger side
- T2eo 2-pin connector, black, under front passenger seat
- T2fd 2-pin connector, black, under front passenger seat
- T2fe 2-pin connector, blue, under front passenger seat
- T3o 3-pin connector, yellow
- T12b 12-pin connector, yellow
- T17d 17-pin connector, green, behind dash panel
- T41 41-pin connector, grey
- T50 50-pin connector, yellow

- 381 Earth connection 16, in main wiring harness
- 389 Earth connection 24, in main wiring harness
- 390 Earth connection 25, in main wiring harness

- * For models with belt switch
- *2 For models with seat adjustment
- *3 For models with no adjustable seats

- ws = white
- sw = black
- ro = red
- rt = red
- br = brown
- gn = green
- bl = blue
- gr = grey
- li = purple
- vi = purple
- ge = yellow
- or = orange
- rs = pink

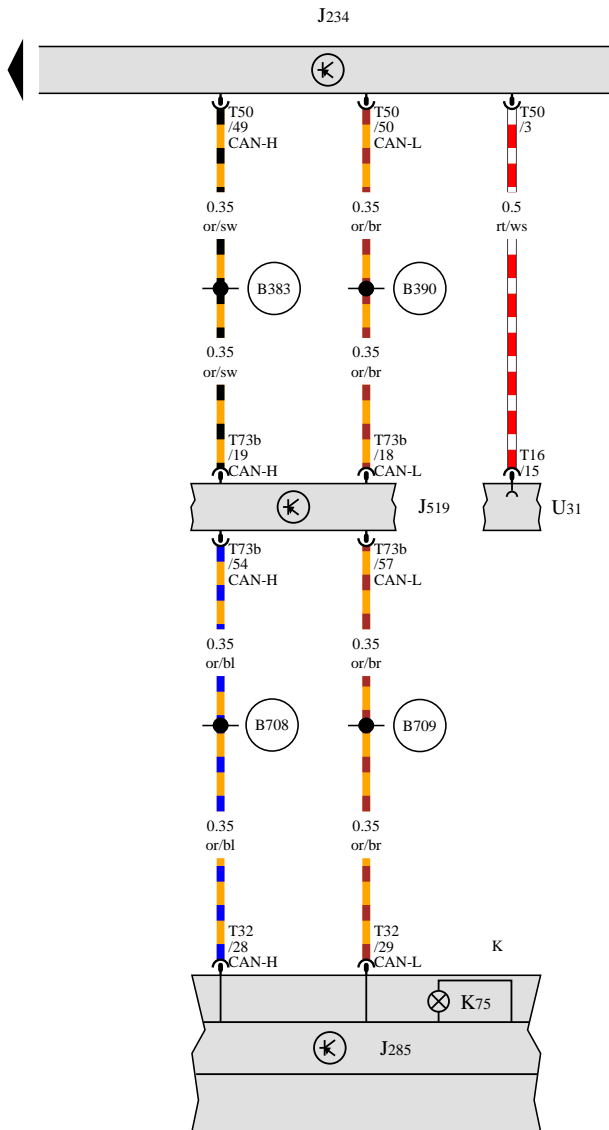
86L-070030371



Front airbag crash sensor for driver side, Front airbag crash sensor for front passenger side, Airbag control unit, Driver seat belt tensioner igniter 1, Front passenger seat belt tensioner igniter 1

- G283 Front airbag crash sensor for driver side, near left headlight
- G284 Front airbag crash sensor for front passenger side, near right headlight
- J234 Airbag control unit, under centre console
- N153 Driver seat belt tensioner igniter 1
- N154 Front passenger seat belt tensioner igniter 1
- T2ae 2-pin connector, yellow
- T2c 2-pin connector, yellow
- T50 50-pin connector, yellow

- ws = white
- sw = black
- ro = red
- rt = red
- br = brown
- gn = green
- bl = blue
- gr = grey
- li = purple
- vi = purple
- ge = yellow
- or = orange
- rs = pink



Airbag control unit, Onboard supply control unit, Dash panel insert, Diagnostic connection

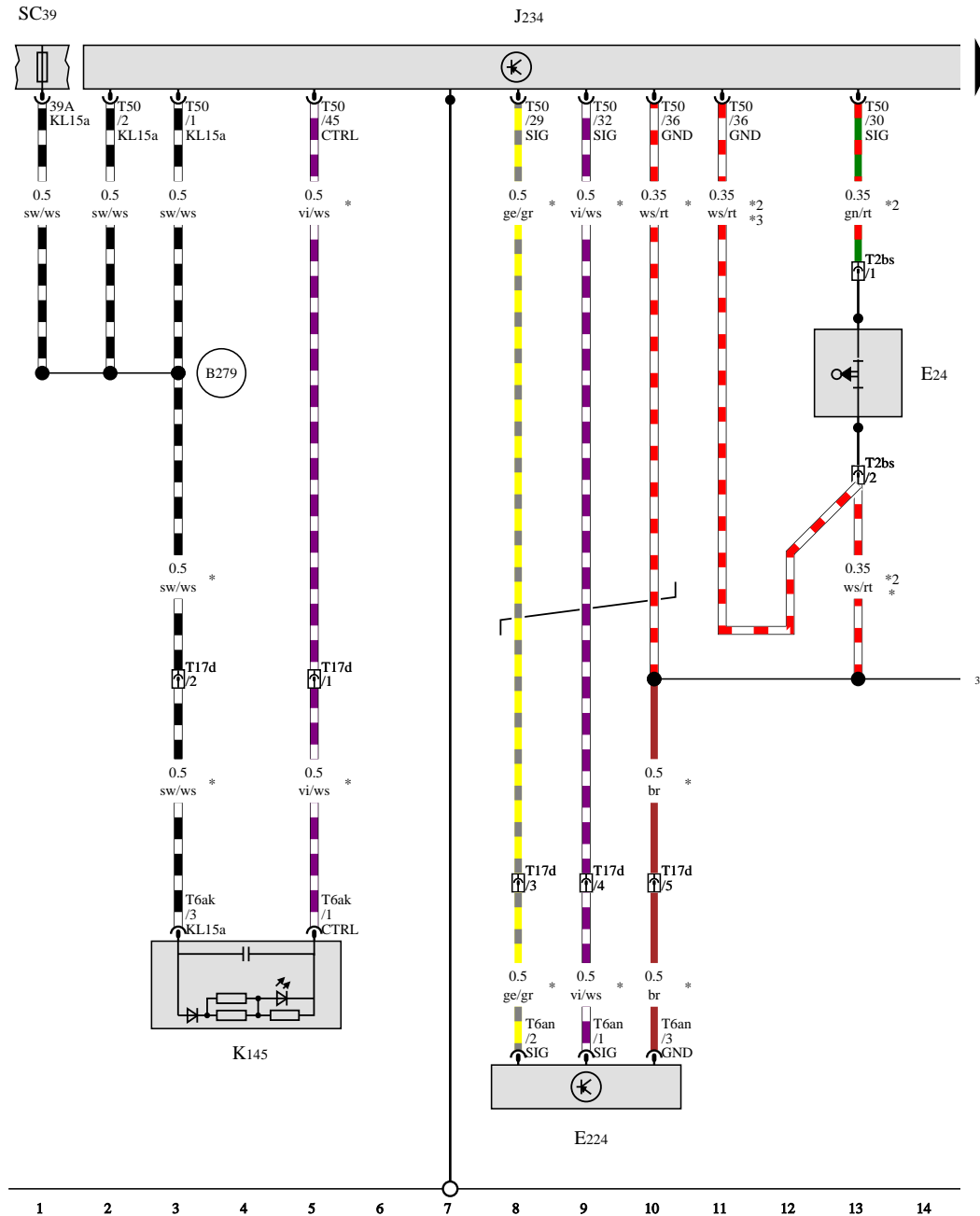
- J234 Airbag control unit, under centre console
- J285 Control unit in dash panel insert
- J519 Onboard supply control unit
- K Dash panel insert
- K75 Airbag warning lamp
- T16 16-pin connector, black
- T32 32-pin connector, blue
- T50 50-pin connector, yellow
- T73b 73-pin connector, colourless
- U31 Diagnostic connection

- B383 Connection 1 (powertrain CAN bus, high), in main wiring harness
- B390 Connection 1 (powertrain CAN bus, low), in main wiring harness
- B708 Connection 1 (dash panel insert CAN bus high) in main wiring harness
- B709 Connection 1 (dash panel insert CAN bus low) in main wiring harness

- ws = white
- sw = black
- ro = red
- rt = red
- br = brown
- gn = green
- bl = blue
- gr = grey
- li = purple
- vi = purple
- ge = yellow
- or = orange
- rs = pink

Airbag systems for LHD vehicles , (L0L),(NZ0),(4X3)

From February 2020



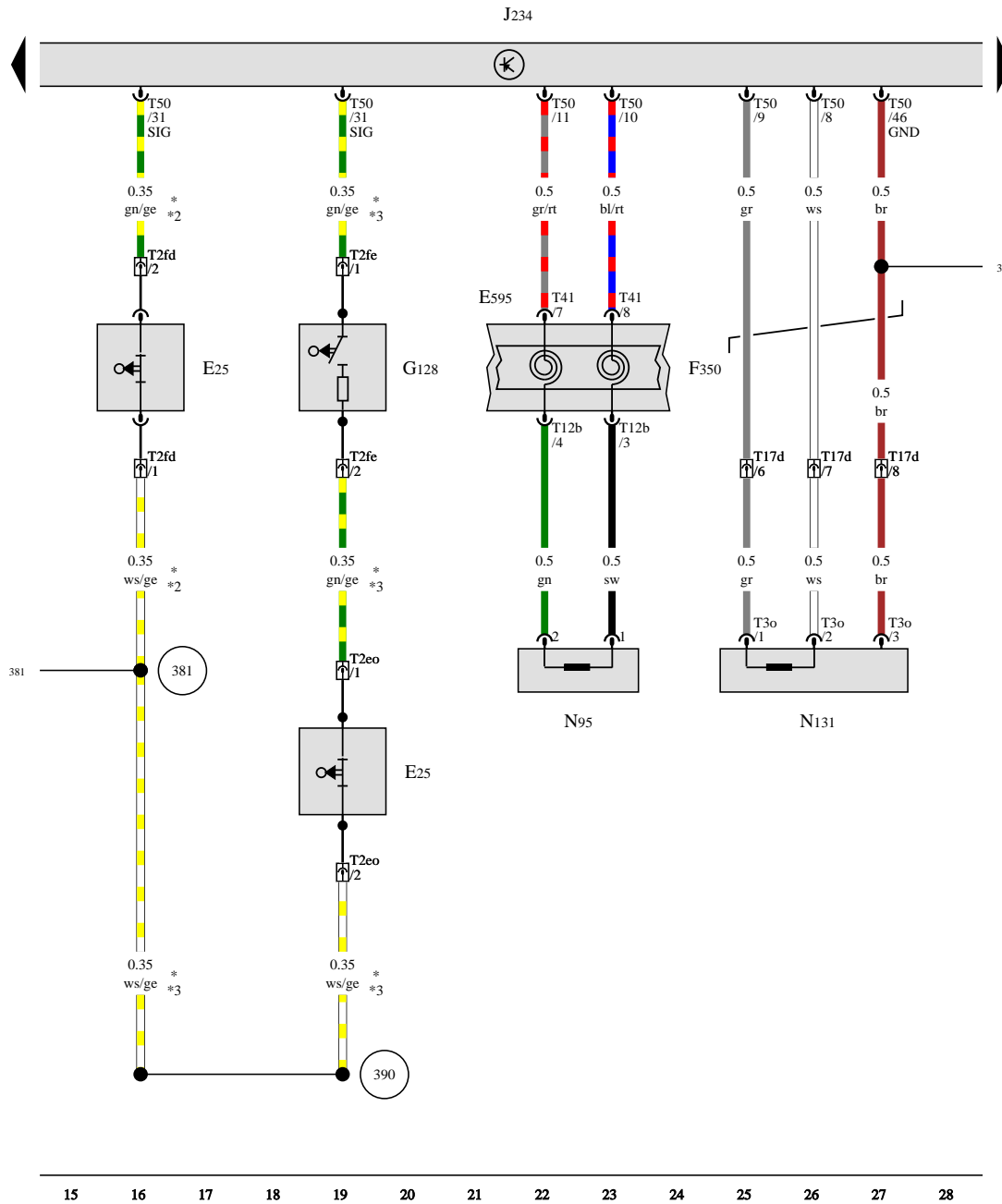
Driver side belt switch, Key-operated switch to deactivate airbag on front passenger side, Airbag control unit, Warning lamp for airbag deactivated on front passenger side, Fuse 39 on fuse holder C

- E24 Driver side belt switch
- E224 Key-operated switch to deactivate airbag on front passenger side
- J234 Airbag control unit, under centre console
- K145 Warning lamp for airbag deactivated on front passenger side
- SC39 Fuse 39 on fuse holder C
- T2bs 2-pin connector, black, under driver seat
- T6ak 6-pin connector, brown
- T6an 6-pin connector, yellow
- T17d 17-pin connector, green, behind dash panel
- T50 50-pin connector, yellow

- 381 Earth connection 16, in main wiring harness
- B279 Positive connection 3 (15a) in main wiring harness
- * For models with key-operated switch to deactivate front passenger airbag
- *2 For models with belt switch
- *3 For models with no key-operated switch to deactivate front passenger airbag

- ws = white
- sw = black
- ro = red
- rt = red
- br = brown
- gn = green
- bl = blue
- gr = grey
- li = purple
- vi = purple
- ge = yellow
- or = orange
- rs = pink

S6L-071070371



Front passenger side belt switch, Steering column combination switch, Coil connector, Seat occupied sensor on front passenger side, Airbag control unit, Airbag igniter on driver side, Airbag igniter 1 on front passenger side

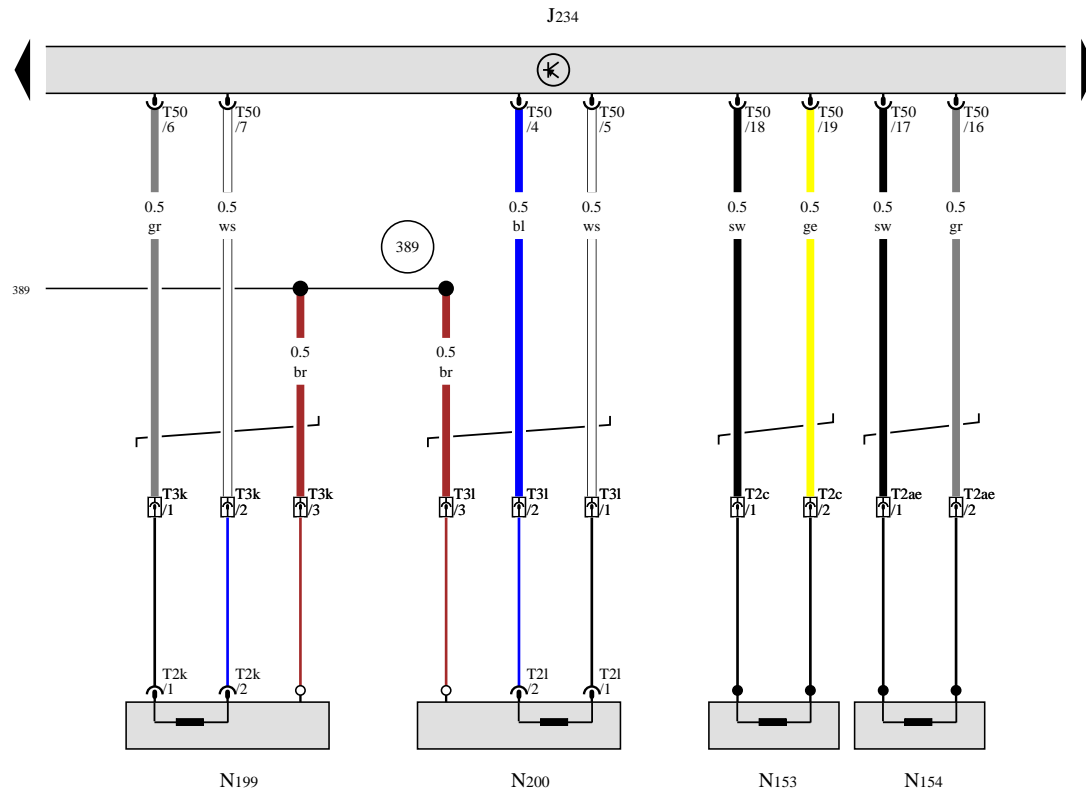
- E25 Front passenger side belt switch
- E595 Steering column combination switch
- F350 Coil connector
- G128 Seat occupied sensor on front passenger side
- J234 Airbag control unit, under centre console
- N95 Airbag igniter on driver side
- N131 Airbag igniter 1 on front passenger side
- T2eo 2-pin connector, black, under front passenger seat
- T2fd 2-pin connector, black, under front passenger seat
- T2fe 2-pin connector, blue, under front passenger seat
- T3o 3-pin connector, yellow
- T12b 12-pin connector, yellow
- T17d 17-pin connector, green, behind dash panel
- T41 41-pin connector, grey
- T50 50-pin connector, yellow

- 381 Earth connection 16, in main wiring harness
- 389 Earth connection 24, in main wiring harness
- 390 Earth connection 25, in main wiring harness

- * For models with belt switch
- *2 For models with seat adjustment
- *3 For models with no adjustable seats

- ws = white
- sw = black
- ro = red
- rt = red
- br = brown
- gn = green
- bl = blue
- gr = grey
- li = purple
- vi = purple
- ge = yellow
- or = orange
- rs = pink

S6L-071030371

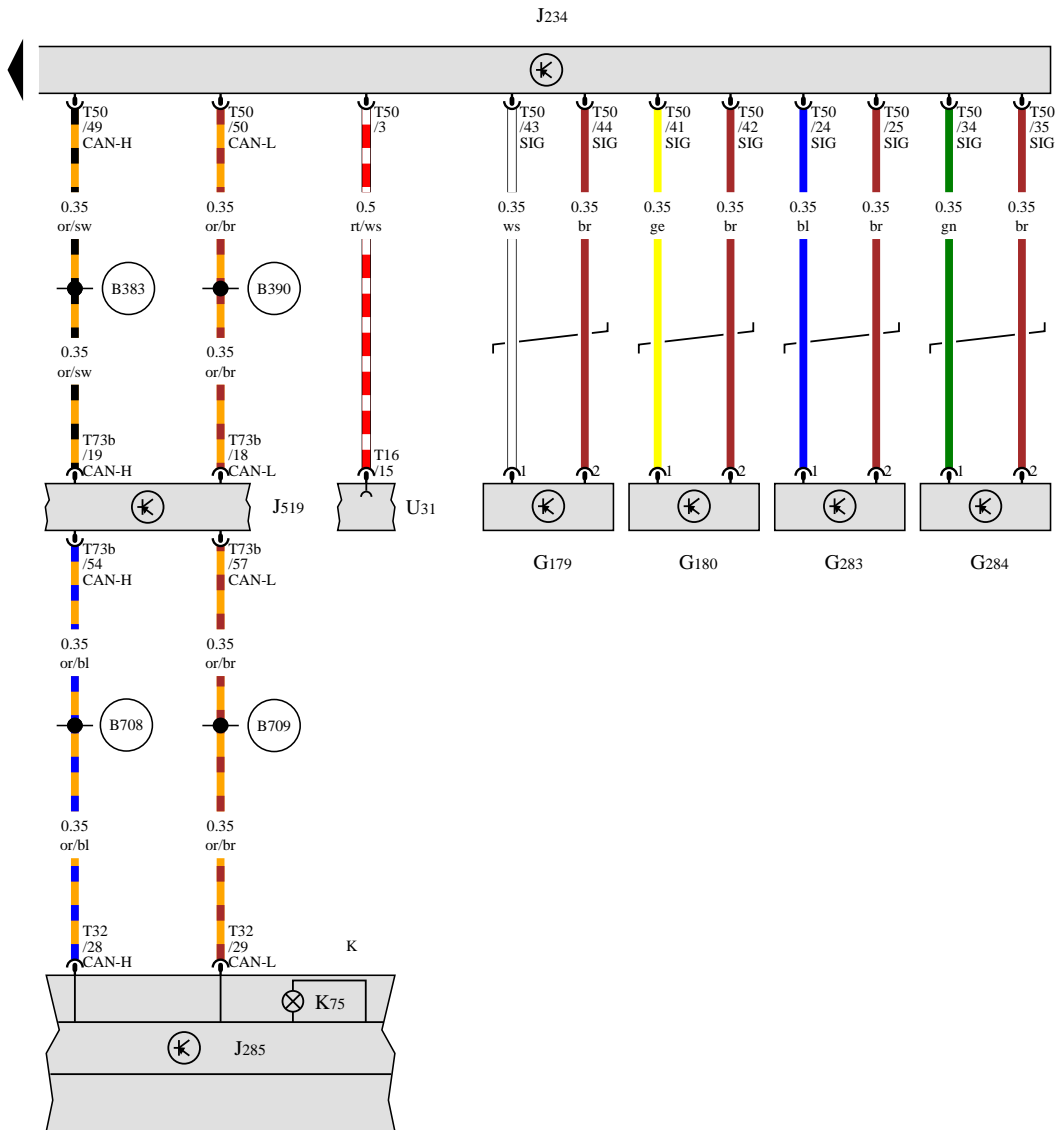


Airbag control unit, Driver seat belt tensioner igniter 1, Front passenger seat belt tensioner igniter 1, Side airbag igniter on driver side, Side airbag igniter on front passenger side

- J234 Airbag control unit, under centre console
- N153 Driver seat belt tensioner igniter 1
- N154 Front passenger seat belt tensioner igniter 1
- N199 Side airbag igniter on driver side
- N200 Side airbag igniter on front passenger side
- T2ae 2-pin connector, yellow
- T2c 2-pin connector, yellow
- T2k 2-pin connector, yellow
- T2l 2-pin connector, yellow
- T3k 3-pin connector, yellow, under driver seat
- T3l 3-pin connector, yellow, under front passenger seat
- T50 50-pin connector, yellow

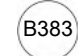
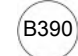
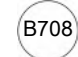
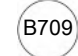
389 Earth connection 24, in main wiring harness

- ws = white
- sw = black
- ro = red
- rt = red
- br = brown
- gn = green
- bl = blue
- gr = grey
- li = purple
- vi = purple
- ge = yellow
- or = orange
- rs = pink



Side airbag crash sensor on driver side, Side airbag crash sensor on front passenger side, Front airbag crash sensor for driver side, Front airbag crash sensor for front passenger side, Airbag control unit, Onboard supply control unit, Dash panel insert, Diagnostic connection

- G179 Side airbag crash sensor on driver side, on left B-pillar
- G180 Side airbag crash sensor on front passenger side, on right B-pillar
- G283 Front airbag crash sensor for driver side, near left headlight
- G284 Front airbag crash sensor for front passenger side, near right headlight
- J234 Airbag control unit, under centre console
- J285 Control unit in dash panel insert
- J519 Onboard supply control unit
- K Dash panel insert
- K75 Airbag warning lamp
- T16 16-pin connector, black
- T32 32-pin connector, blue
- T50 50-pin connector, yellow
- T73b 73-pin connector, colourless
- U31 Diagnostic connection

-  B383 Connection 1 (powertrain CAN bus, high), in main wiring harness
-  B390 Connection 1 (powertrain CAN bus, low), in main wiring harness
-  B708 Connection 1 (dash panel insert CAN bus high) in main wiring harness
-  B709 Connection 1 (dash panel insert CAN bus low) in main wiring harness

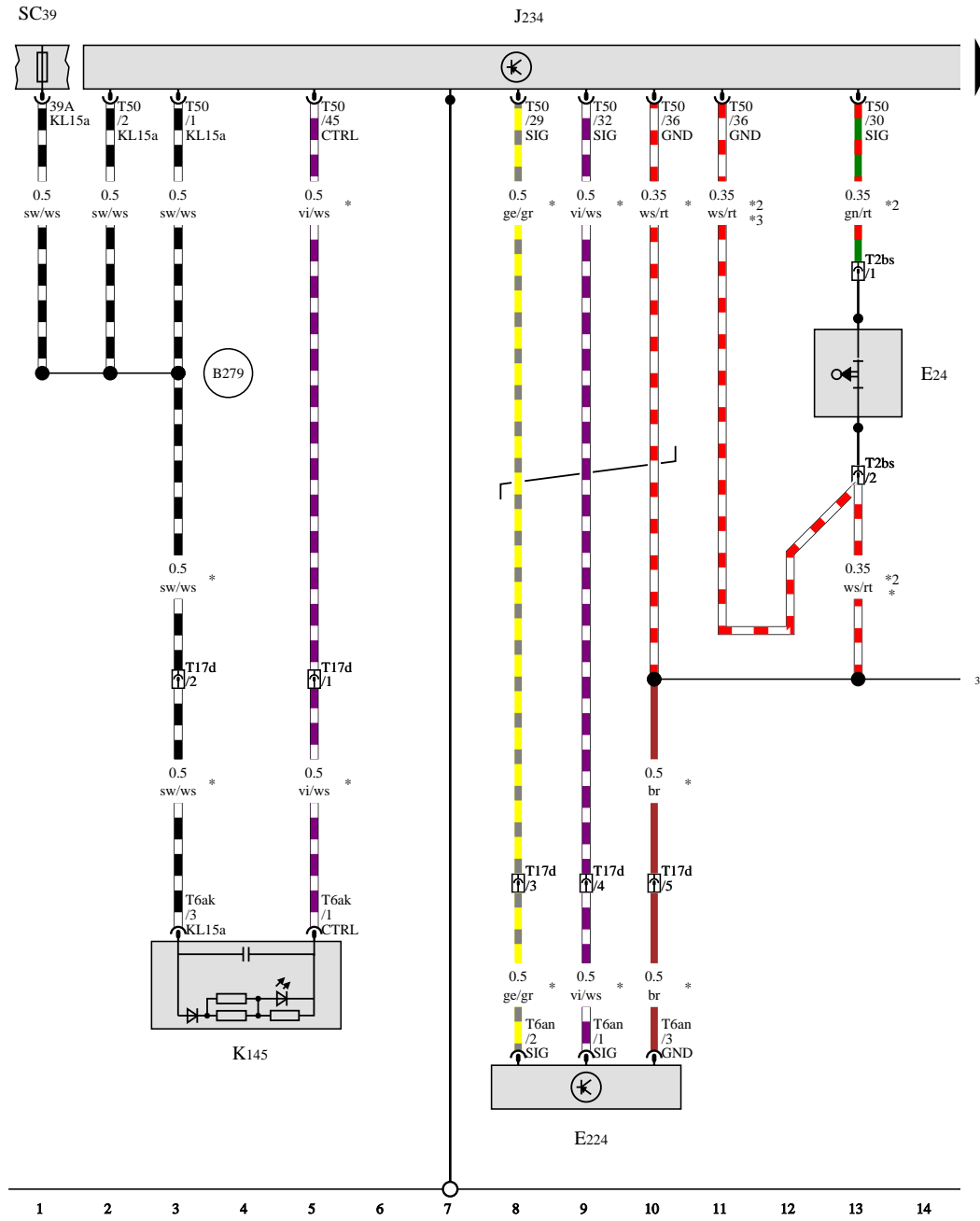
- ws = white
- sw = black
- ro = red
- rt = red
- br = brown
- gn = green
- bl = blue
- gr = grey
- li = purple
- vi = purple
- ge = yellow
- or = orange
- rs = pink

43 44 45 46 47 48 49 50 51 52 53 54 55 56

□60.071050371

Airbag systems for RHD vehicles , (L0R),(4X0)

From February 2020



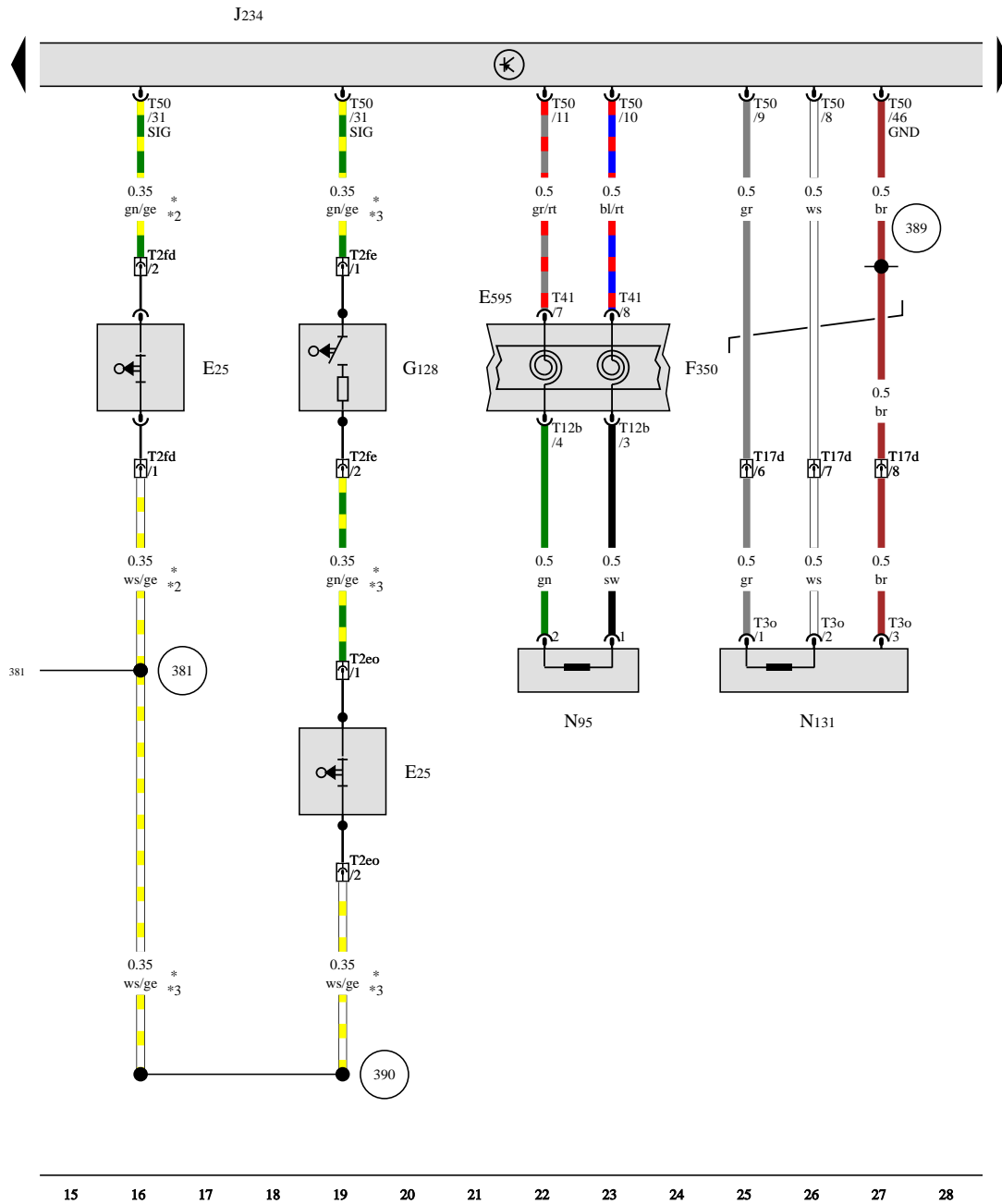
Driver side belt switch, Key-operated switch to deactivate airbag on front passenger side, Airbag control unit, Warning lamp for airbag deactivated on front passenger side, Fuse 39 on fuse holder C

- E24 Driver side belt switch
- E224 Key-operated switch to deactivate airbag on front passenger side
- J234 Airbag control unit, under centre console
- K145 Warning lamp for airbag deactivated on front passenger side
- SC39 Fuse 39 on fuse holder C
- T2bs 2-pin connector, black, under driver seat
- T6ak 6-pin connector, brown
- T6an 6-pin connector, yellow
- T17d 17-pin connector, green, behind dash panel
- T50 50-pin connector, yellow

- 381 Earth connection 16, in main wiring harness
- B279 Positive connection 3 (15a) in main wiring harness
- * For models with key-operated switch to deactivate front passenger airbag
- *2 For models with belt switch
- *3 For models with no key-operated switch to deactivate front passenger airbag

- ws = white
- sw = black
- ro = red
- rt = red
- br = brown
- gn = green
- bl = blue
- gr = grey
- li = purple
- vi = purple
- ge = yellow
- or = orange
- rs = pink

S6L-072020371



Front passenger side belt switch, Steering column combination switch, Coil connector, Seat occupied sensor on front passenger side, Airbag control unit, Airbag igniter on driver side, Airbag igniter 1 on front passenger side

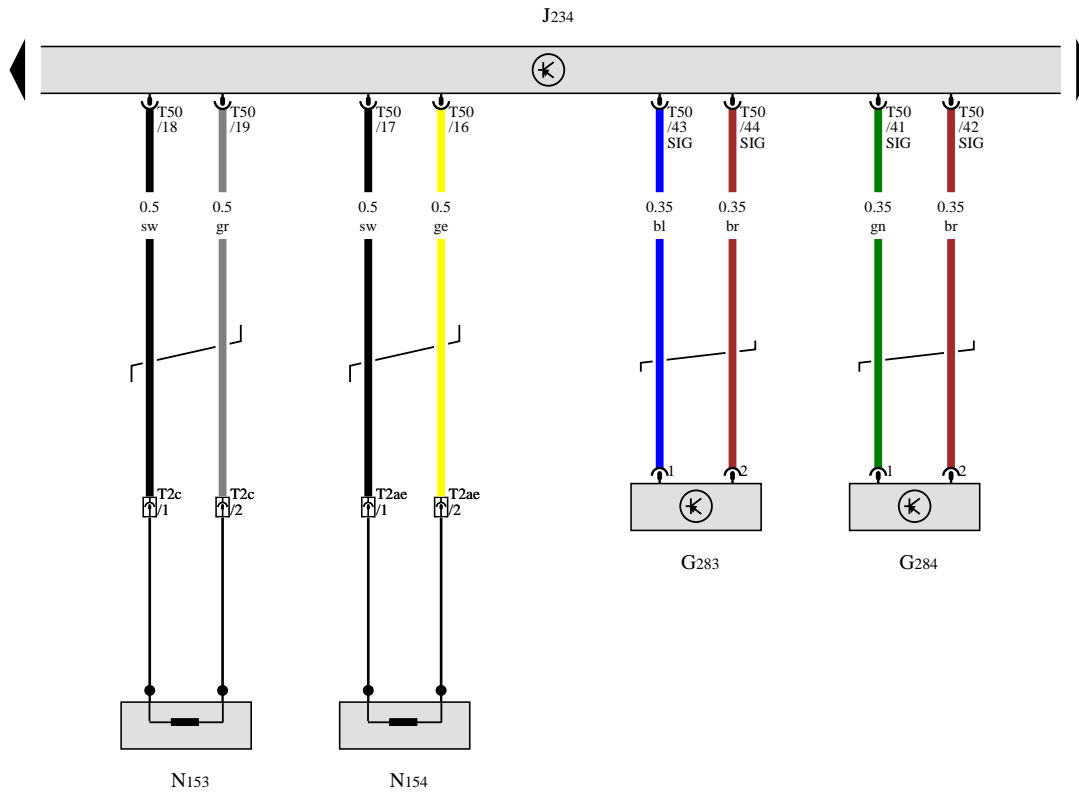
- E25 Front passenger side belt switch
- E595 Steering column combination switch
- F350 Coil connector
- G128 Seat occupied sensor on front passenger side
- J234 Airbag control unit, under centre console
- N95 Airbag igniter on driver side
- N131 Airbag igniter 1 on front passenger side
- T2eo 2-pin connector, black, under front passenger seat
- T2fd 2-pin connector, black, under front passenger seat
- T2fe 2-pin connector, blue, under front passenger seat
- T3o 3-pin connector, yellow
- T12b 12-pin connector, yellow
- T17d 17-pin connector, green, behind dash panel
- T41 41-pin connector, grey
- T50 50-pin connector, yellow

- 381 Earth connection 16, in main wiring harness
- 389 Earth connection 24, in main wiring harness
- 390 Earth connection 25, in main wiring harness

- * For models with belt switch
- *2 For models with seat adjustment
- *3 For models with no adjustable seats

- ws = white
- sw = black
- ro = red
- rt = red
- br = brown
- gn = green
- bl = blue
- gr = grey
- li = purple
- vi = purple
- ge = yellow
- or = orange
- rs = pink

S6L-072030371

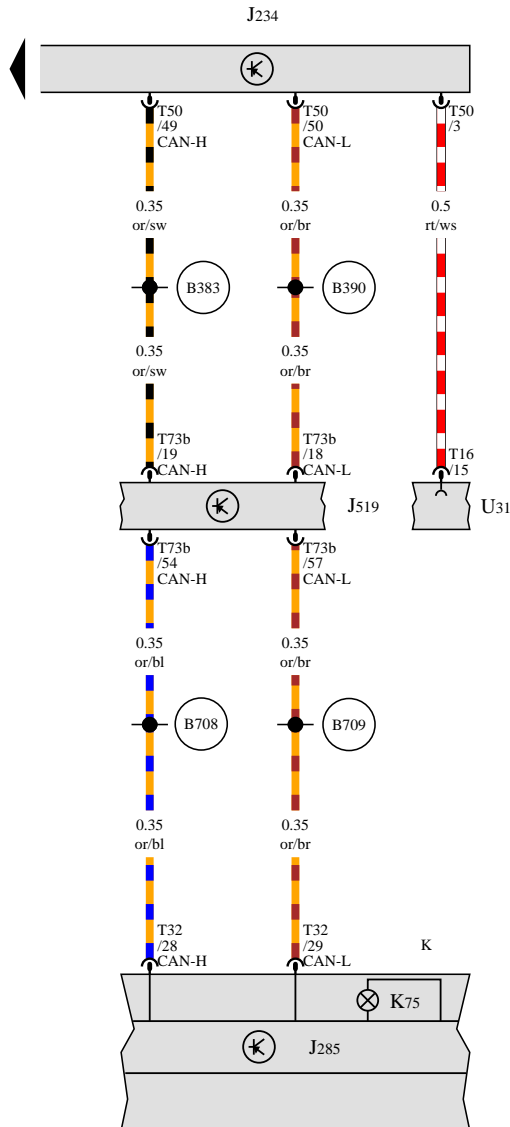


Front airbag crash sensor for driver side, Front airbag crash sensor for front passenger side, Airbag control unit, Driver seat belt tensioner igniter 1, Front passenger seat belt tensioner igniter 1


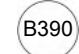

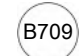
- G283 Front airbag crash sensor for driver side, near right headlight
- G284 Front airbag crash sensor for front passenger side, near left headlight
- J234 Airbag control unit, under centre console
- N153 Driver seat belt tensioner igniter 1
- N154 Front passenger seat belt tensioner igniter 1
- T2ae 2-pin connector, yellow
- T2c 2-pin connector, yellow
- T50 50-pin connector, yellow

- ws = white
- sw = black
- ro = red
- rt = red
- br = brown
- gn = green
- bl = blue
- gr = grey
- li = purple
- vi = purple
- ge = yellow
- or = orange
- rs = pink

Airbag control unit, Onboard supply control unit, Dash panel insert, Diagnostic connection



- J234 Airbag control unit, under centre console
- J285 Control unit in dash panel insert
- J519 Onboard supply control unit
- K Dash panel insert
- K75 Airbag warning lamp
- T16 16-pin connector, black
- T32 32-pin connector, blue
- T50 50-pin connector, yellow
- T73b 73-pin connector, colourless
- U31 Diagnostic connection

-  B383 Connection 1 (powertrain CAN bus, high), in main wiring harness
-  B390 Connection 1 (powertrain CAN bus, low), in main wiring harness
-  B708 Connection 1 (dash panel insert CAN bus high) in main wiring harness
-  B709 Connection 1 (dash panel insert CAN bus low) in main wiring harness

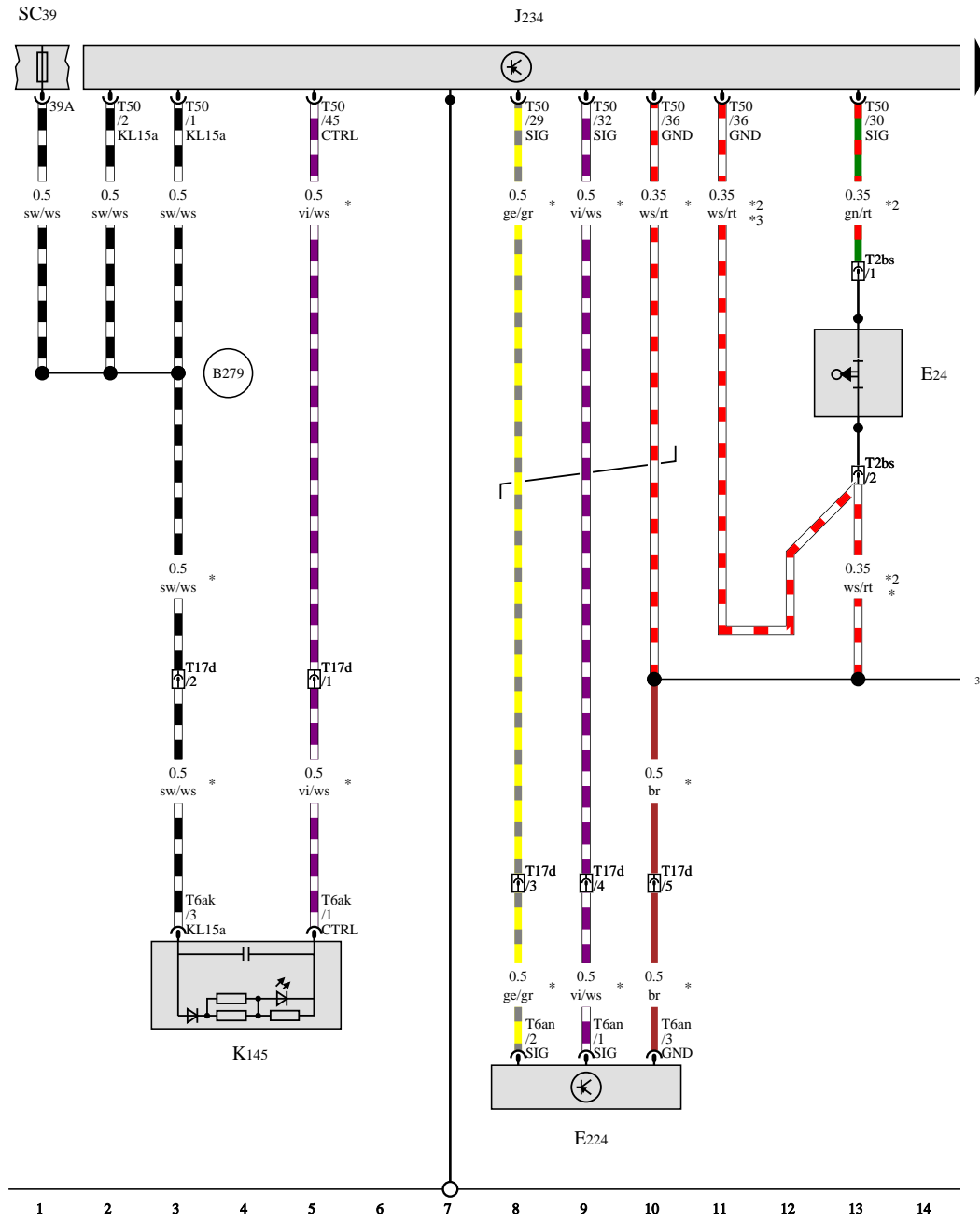
- ws = white
- sw = black
- ro = red
- rt = red
- br = brown
- gn = green
- bl = blue
- gr = grey
- li = purple
- vi = purple
- ge = yellow
- or = orange
- rs = pink

43 44 45 46 47 48 49 50 51 52 53 54 55 56

□ 60.072050321

Airbag systems for RHD vehicles , (L0R),(4X3)

From February 2020



Driver side belt switch, Key-operated switch to deactivate airbag on front passenger side, Airbag control unit, Warning lamp for airbag deactivated on front passenger side, Fuse 39 on fuse holder C

- E24 Driver side belt switch
- E224 Key-operated switch to deactivate airbag on front passenger side
- J234 Airbag control unit, under centre console
- K145 Warning lamp for airbag deactivated on front passenger side
- SC39 Fuse 39 on fuse holder C
- T2bs 2-pin connector, black, under driver seat
- T6ak 6-pin connector, brown
- T6an 6-pin connector, yellow
- T17d 17-pin connector, green, behind dash panel
- T50 50-pin connector, yellow

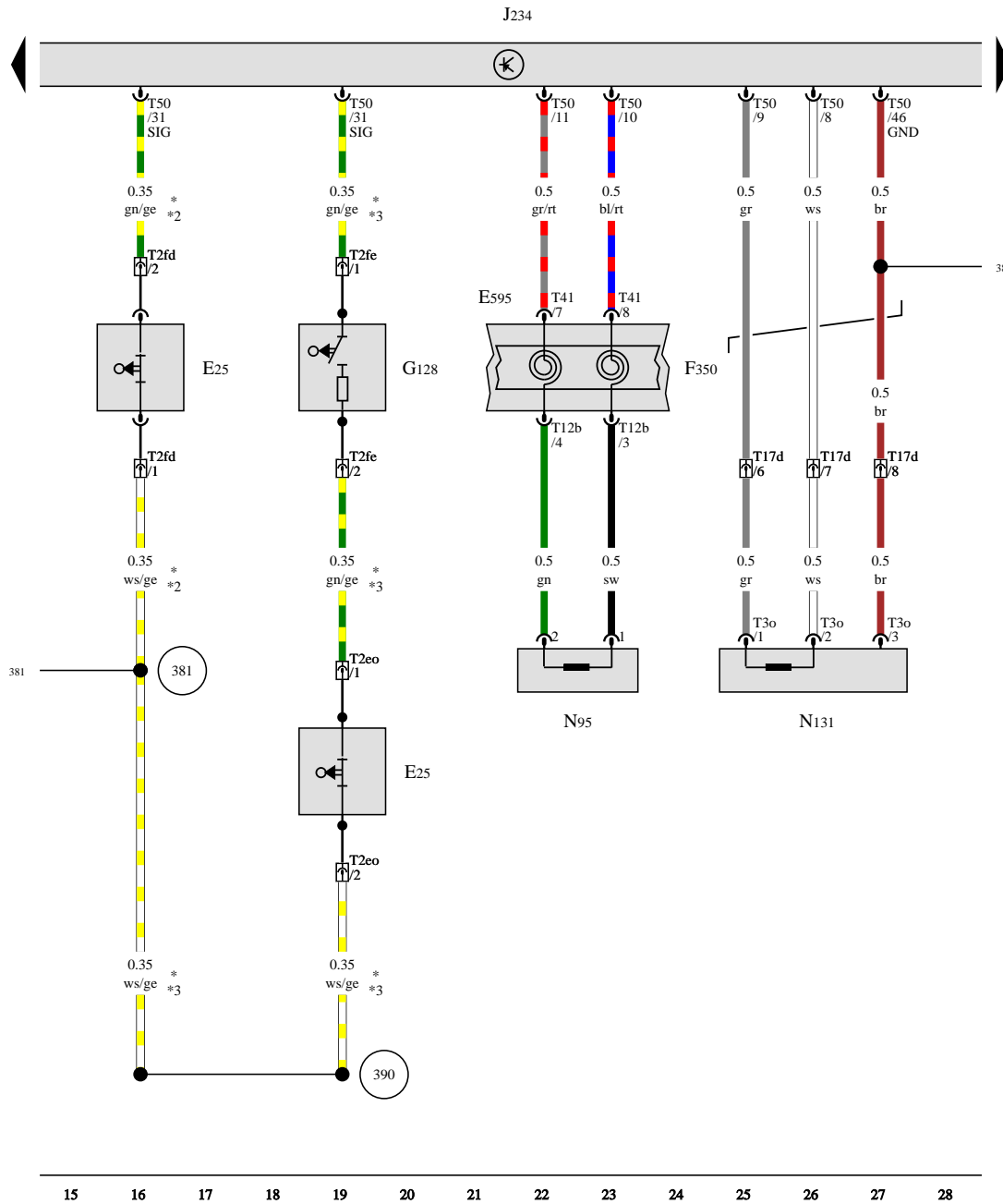
381 Earth connection 16, in main wiring harness

B279 Positive connection 3 (15a) in main wiring harness

- * For models with key-operated switch to deactivate front passenger airbag
- *2 For models with belt switch
- *3 For models with no key-operated switch to deactivate front passenger airbag

- ws = white
- sw = black
- ro = red
- rt = red
- br = brown
- gn = green
- bl = blue
- gr = grey
- li = purple
- vi = purple
- ge = yellow
- or = orange
- rs = pink

S6L-073070371



Front passenger side belt switch, Steering column combination switch, Coil connector, Seat occupied sensor on front passenger side, Airbag control unit, Airbag igniter on driver side, Airbag igniter 1 on front passenger side

- E25 Front passenger side belt switch
- E595 Steering column combination switch
- F350 Coil connector
- G128 Seat occupied sensor on front passenger side
- J234 Airbag control unit, under centre console
- N95 Airbag igniter on driver side
- N131 Airbag igniter 1 on front passenger side
- T2eo 2-pin connector, black, under front passenger seat
- T2fd 2-pin connector, black, under front passenger seat
- T2fe 2-pin connector, blue, under front passenger seat
- T3o 3-pin connector, yellow
- T12b 12-pin connector, yellow
- T17d 17-pin connector, green, behind dash panel
- T41 41-pin connector, grey
- T50 50-pin connector, yellow

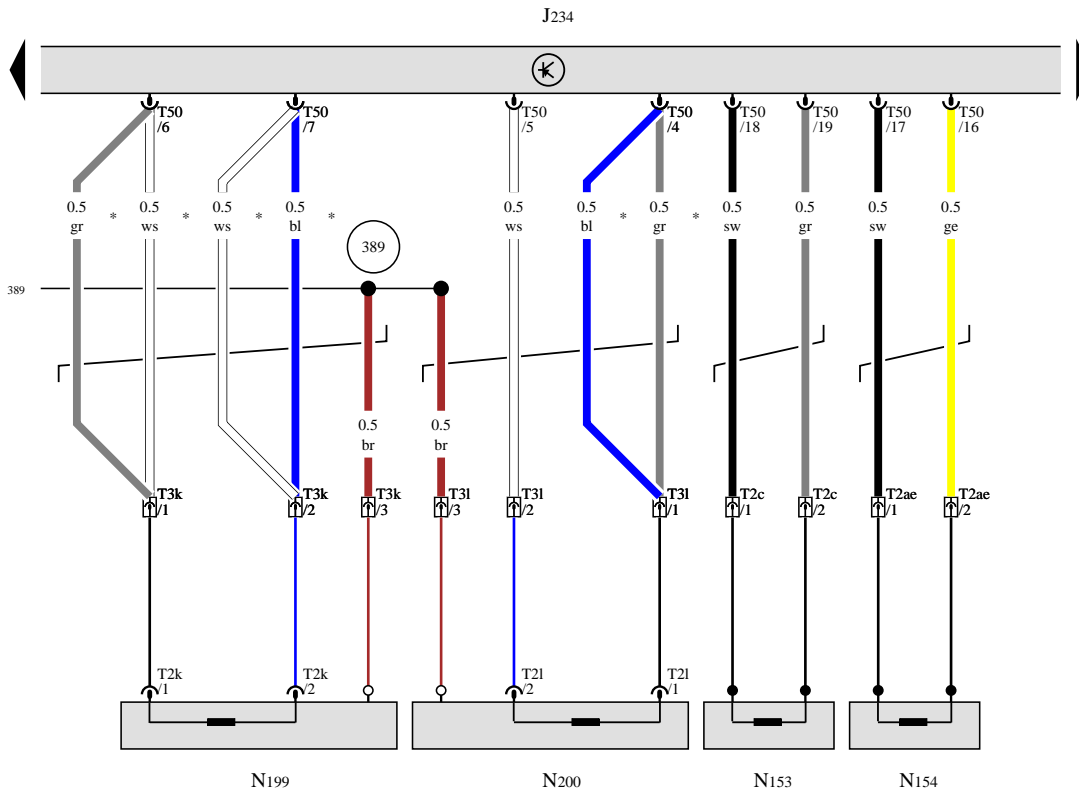
- 381 Earth connection 16, in main wiring harness
- 389 Earth connection 24, in main wiring harness
- 390 Earth connection 25, in main wiring harness

- * For models with belt switch
- *2 For models with seat adjustment
- *3 For models with no adjustable seats

- ws = white
- sw = black
- ro = red
- rt = red
- br = brown
- gn = green
- bl = blue
- gr = grey
- li = purple
- vi = purple
- ge = yellow
- or = orange
- rs = pink

15 16 17 18 19 20 21 22 23 24 25 26 27 28

86L-073030371



Airbag control unit, Driver seat belt tensioner igniter 1, Front passenger seat belt tensioner igniter 1, Side airbag igniter on driver side, Side airbag igniter on front passenger side

- J234 Airbag control unit, under centre console
- N153 Driver seat belt tensioner igniter 1
- N154 Front passenger seat belt tensioner igniter 1
- N199 Side airbag igniter on driver side
- N200 Side airbag igniter on front passenger side
- T2ae 2-pin connector, yellow
- T2c 2-pin connector, yellow
- T2k 2-pin connector, yellow
- T2l 2-pin connector, yellow
- T3k 3-pin connector, yellow, under driver seat
- T3l 3-pin connector, yellow, under front passenger seat
- T50 50-pin connector, yellow

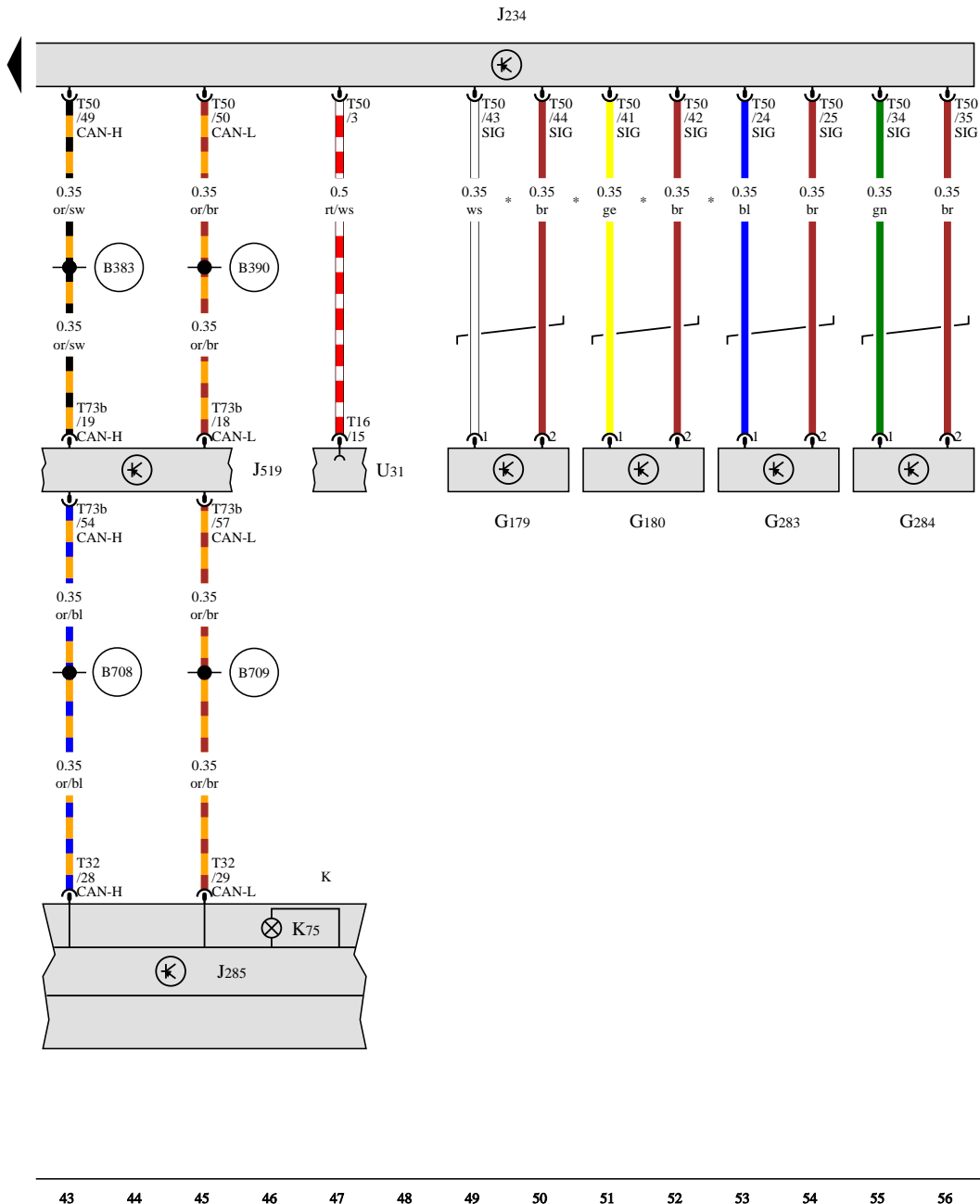
389 Earth connection 24, in main wiring harness

* Wiring colour depends on equipment

- ws = white
- sw = black
- ro = red
- rt = red
- br = brown
- gn = green
- bl = blue
- gr = grey
- li = purple
- vi = purple
- ge = yellow
- or = orange
- rs = pink

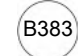
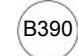
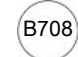

29 30 31 32 33 34 35 36 37 38 39 40 41 42

□ S60.073040371



Side airbag crash sensor on driver side, Side airbag crash sensor on front passenger side, Front airbag crash sensor for driver side, Front airbag crash sensor for front passenger side, Airbag control unit, Onboard supply control unit, Dash panel insert, Diagnostic connection

- G179 Side airbag crash sensor on driver side, on right B-pillar
- G180 Side airbag crash sensor on front passenger side, on left B-pillar
- G283 Front airbag crash sensor for driver side, near right headlight
- G284 Front airbag crash sensor for front passenger side, near left headlight
- J234 Airbag control unit, under centre console
- J285 Control unit in dash panel insert
- J519 Onboard supply control unit
- K Dash panel insert
- K75 Airbag warning lamp
- T16 16-pin connector, black
- T32 32-pin connector, blue
- T50 50-pin connector, yellow
- T73b 73-pin connector, colourless
- U31 Diagnostic connection

-  B383 Connection 1 (powertrain CAN bus, high), in main wiring harness
-  B390 Connection 1 (powertrain CAN bus, low), in main wiring harness
-  B708 Connection 1 (dash panel insert CAN bus high) in main wiring harness
-  B709 Connection 1 (dash panel insert CAN bus low) in main wiring harness

* For models with front head-thorax airbag

- ws = white
- sw = black
- ro = red
- rt = red
- br = brown
- gn = green
- bl = blue
- gr = grey
- li = purple
- vi = purple
- ge = yellow
- or = orange
- rs = pink

43 44 45 46 47 48 49 50 51 52 53 54 55 56

□ 60.073050371