

IGNITION SWITCH CONNECTIONS						
color	WHITE	BROWN	BK/Y	BK/W	RED	R/W
LOCK			█	█		
OFF			█			
ON	█	█			█	█
P (park)	█	█				

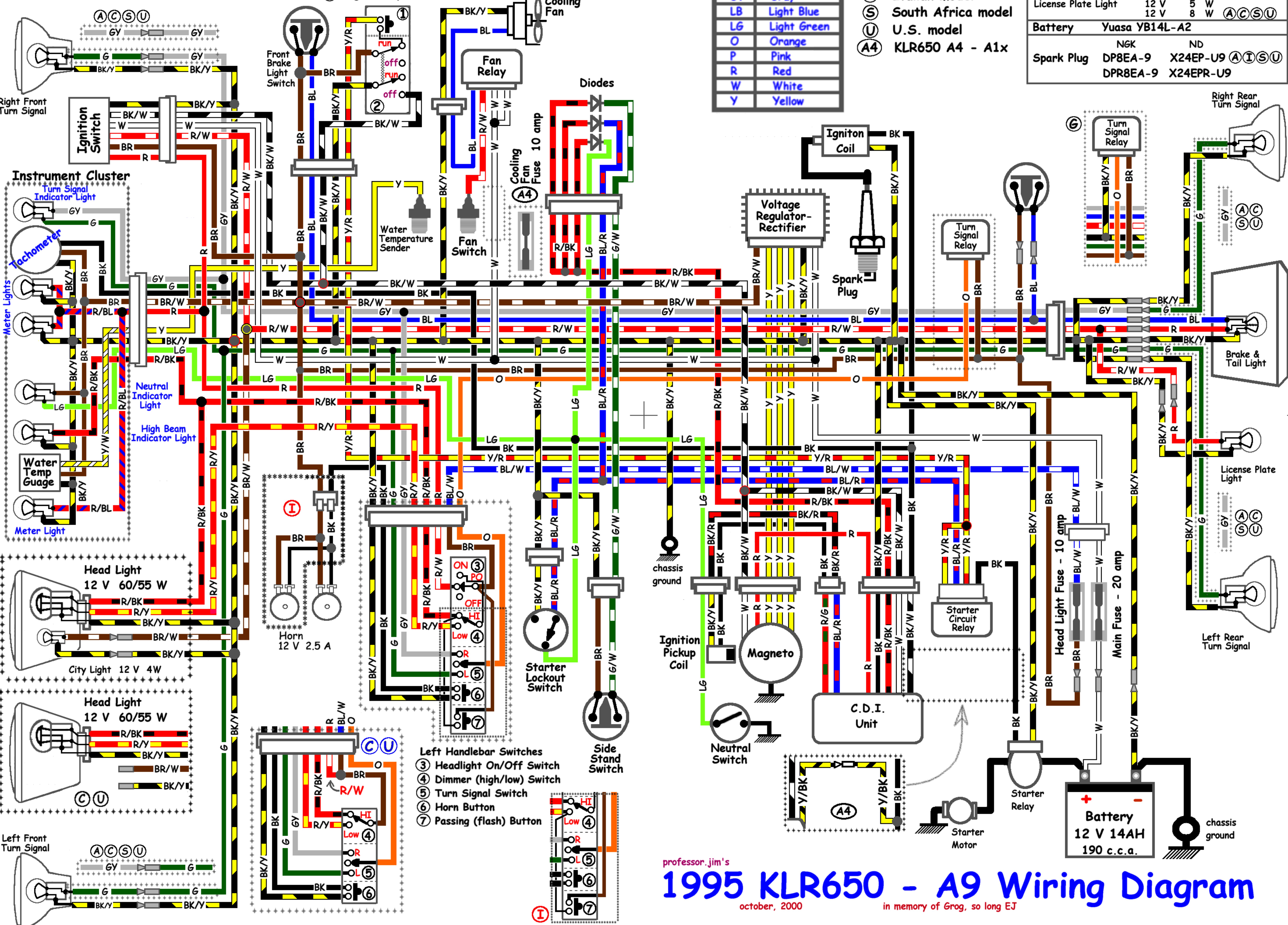
Starter Lockout Switch			
clutch lever	black/yellow	blue/red	light green
pulled in	█	█	
released			█

Side Stand Switch		
side stand	green/white	brown
up	█	
down		█

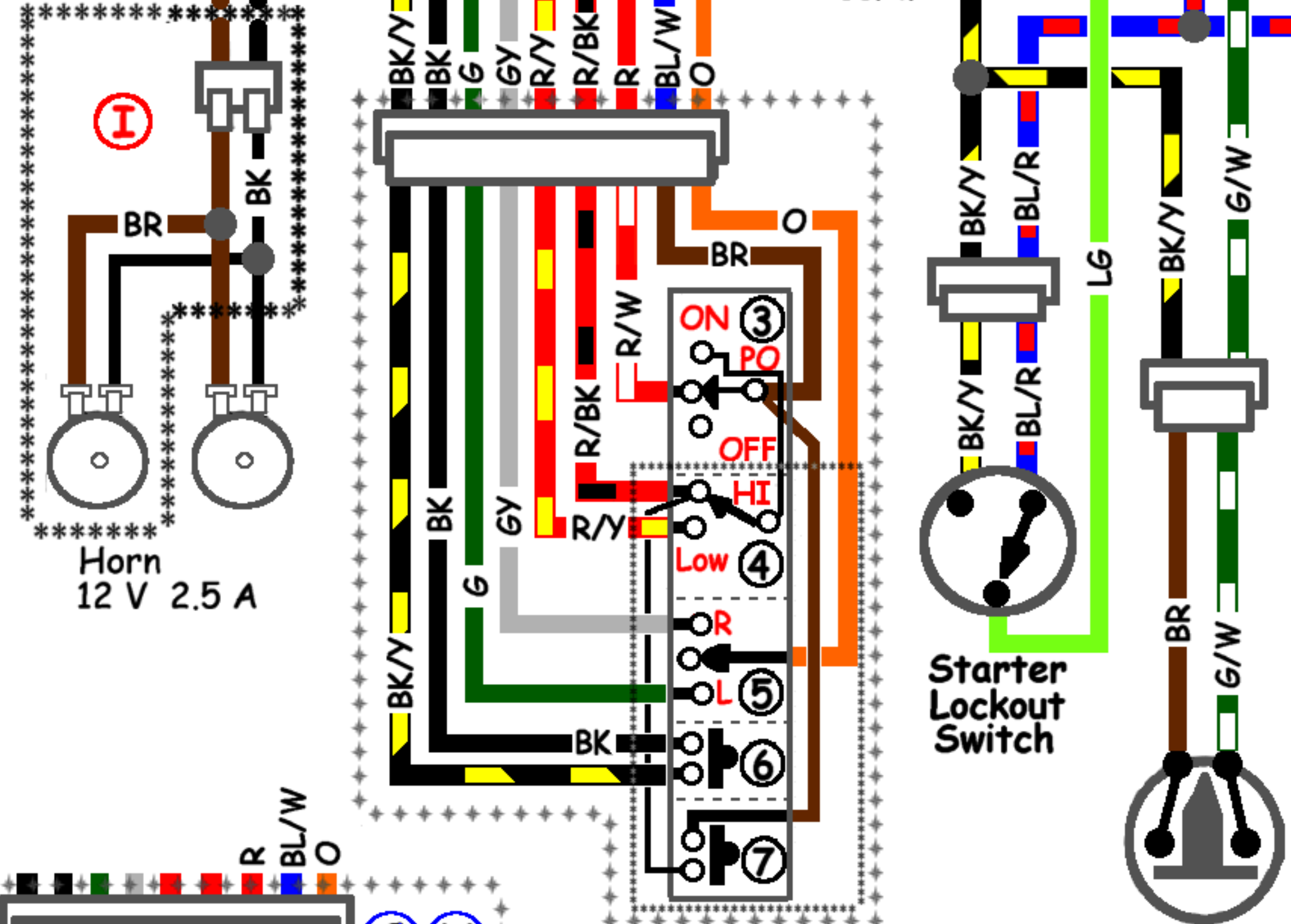
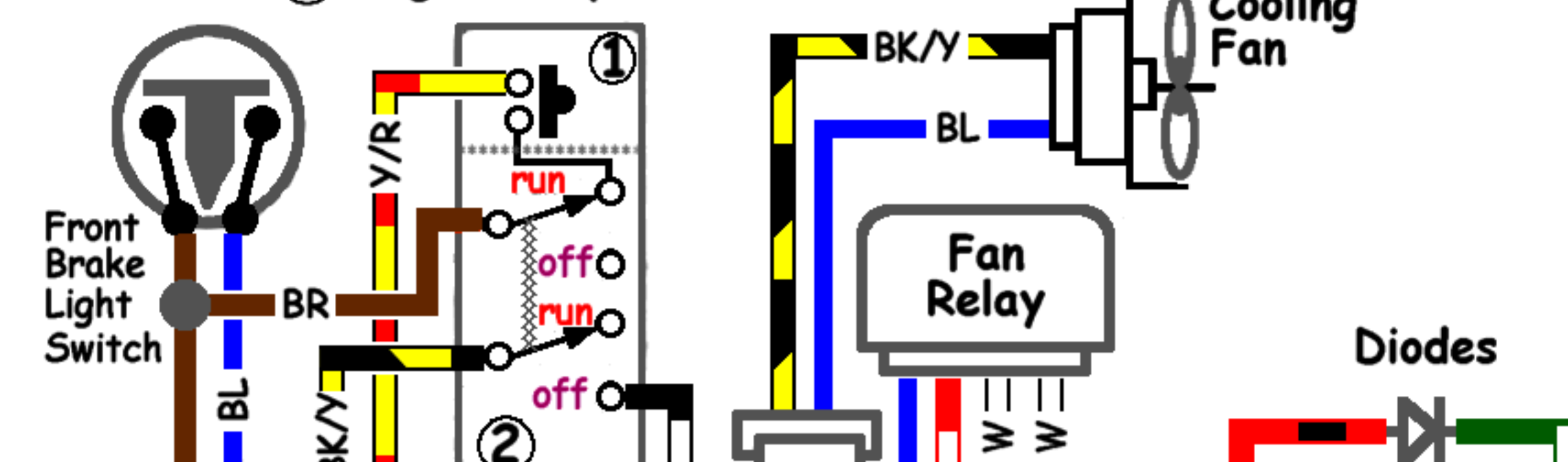
COLOR CODE	
BK	Black
BL	Blue
BR	Brown
G	Green
GY	Gray
LB	Light Blue
LG	Light Green
O	Orange
P	Pink
R	Red
W	White
Y	Yellow

- (A) Australian model
- (C) Canadian model
- (G) West German model
- (I) Italian model
- (S) South Africa model
- (U) U.S. model
- (A4) KLR650 A4 - A1x

Meter/Indicator Bulbs	12 V	3.4 W	
Turn Signal Bulbs	12 V	21 W	
	12 V	23 W	**
			** front bulbs for (A)(S)
			** rear bulbs for (A)(C)(S)(U)
Brake/Tail Light Bulb	12 V	5/21 W	(C)(S)(U)
	12 V	8/27 W	(C)(S)(U)
License Plate Light	12 V	5 W	(A)(C)(S)(U)
	12 V	8 W	(A)(C)(S)(U)
Battery	Yuasa YB14L-A2		
	NGK	ND	
Spark Plug	DP8EA-9	X24EP-U9	(A)(I)(S)(U)
	DPR8EA-9	X24EPR-U9	



- Right Handlebar Switches
- ① Starter Button
 - ② Engine Stop Switch



- Left Handlebar Switches
- ③ Headlight On/Off Switch
 - ④ Dimmer (high/low) Switch
 - ⑤ Turn Signal Switch
 - ⑥ Horn Button
 - ⑦ Passing (flash) Button

professor.jim's
1995 KLR650 - A9 Wiring Diagram
 october, 2000 in memory of Grog, so long EJ