
VIN PLATE DECODING INFORMATION

Group - 2

Front Suspension & Drive

Group - 2 Front Suspension & Drive

Group-Fig. No.

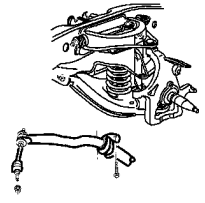
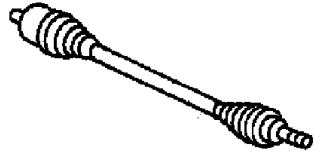
Illustration Title

Front Suspension

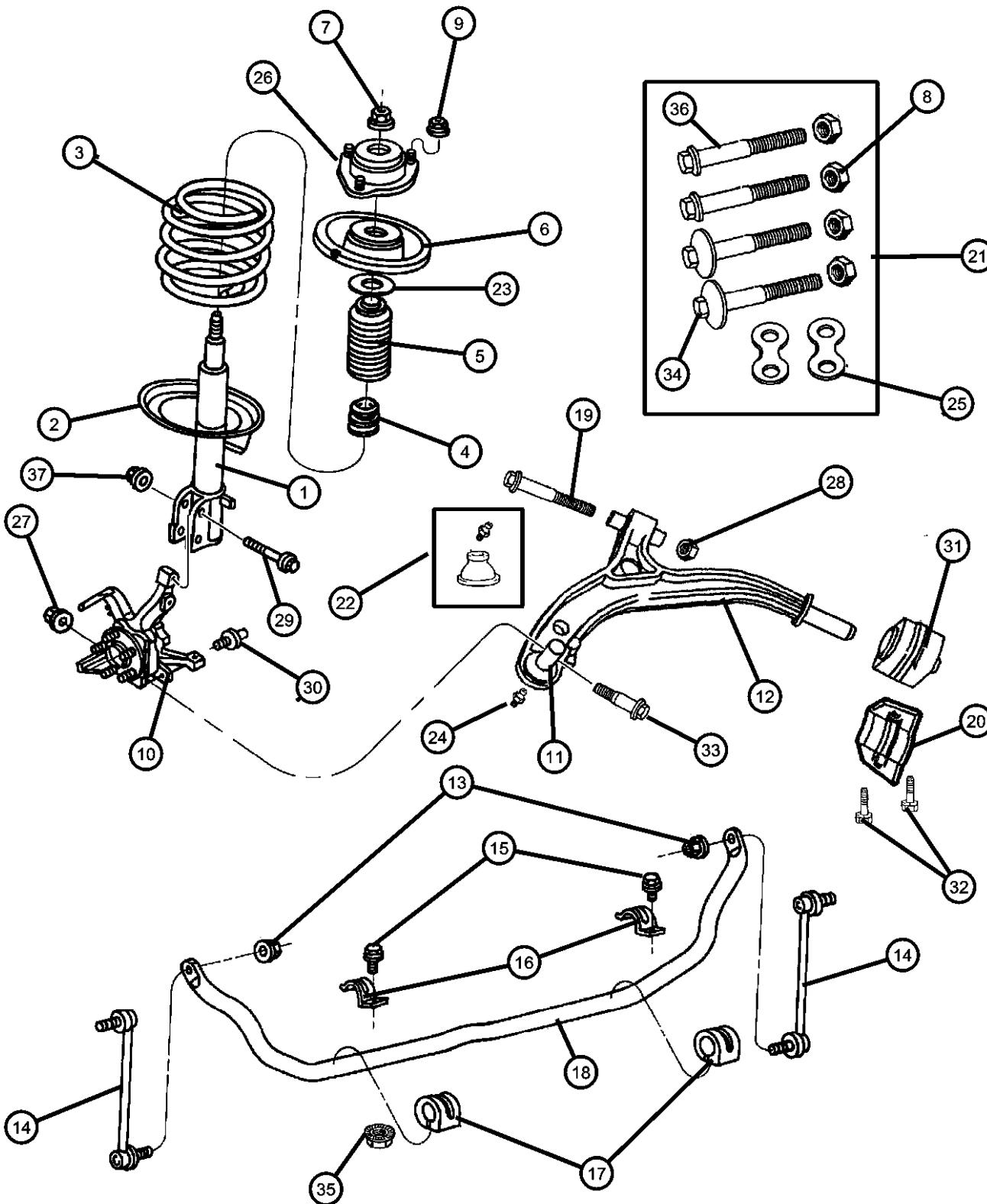
Suspension, Front..... Fig. 2 - 145

Front Axle Drive Shafts

Shaft, Front Drive Fig. 2 - 245

<p>002-100 Front Suspension</p> 	<p>002-200 Front Axle Drive Shafts</p> 		
------------------------------------------------------------------------------------------------------------------------------	-------------------------------------------------------------------------------------------------------------------------------------	--	--

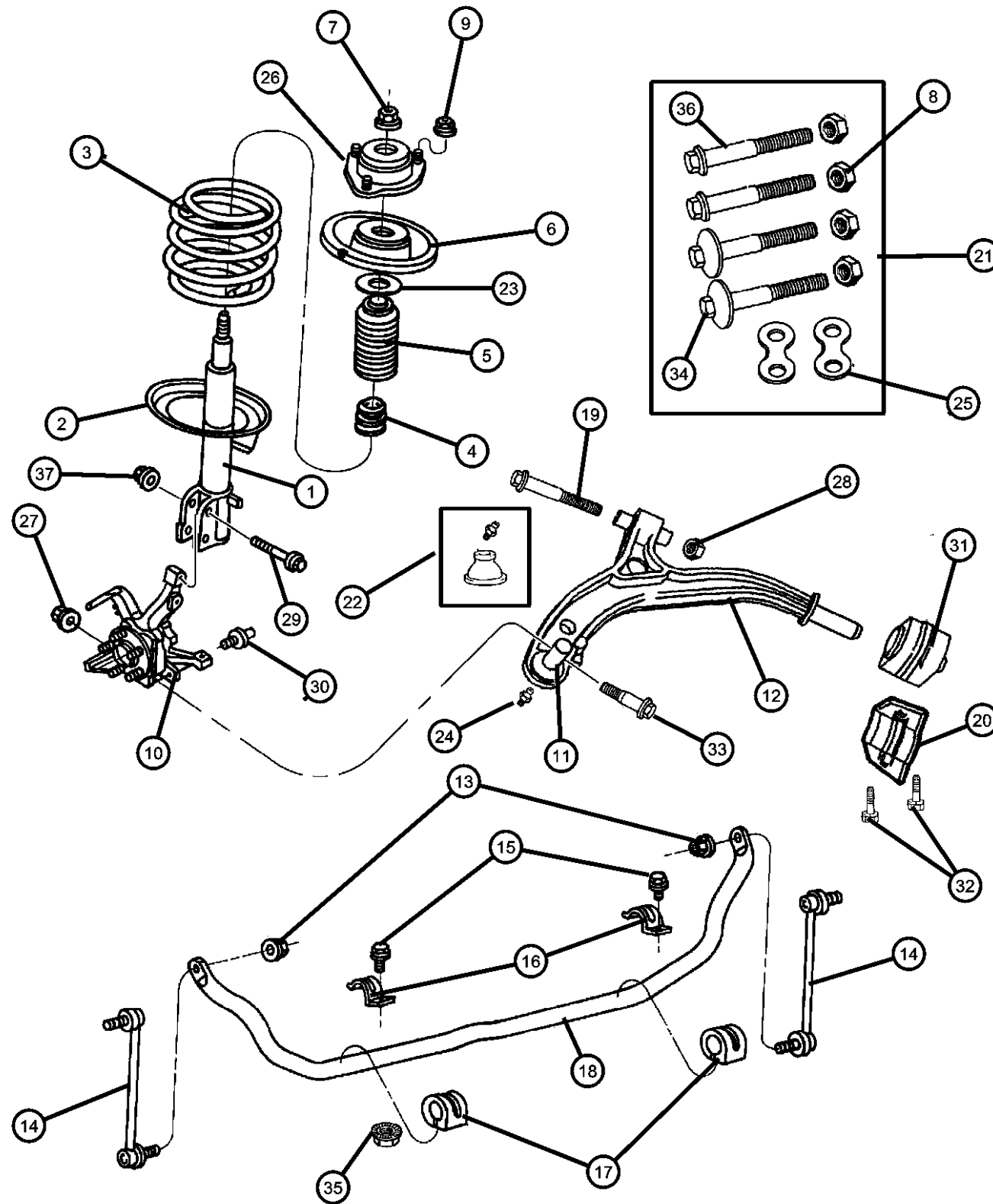
Suspension, Front
Figure 2-145



ITEM	PART NUMBER	QTY	LINE	SERIES	BODY	ENGINE	TRANS	TRIM	DESCRIPTION
Note: Sales Code BRV= DISC/DRUM Heavy Duty									
Note: Sales Code BRE= DISC/DISC									
Note: Sales Code SDF= Suspension European Homologation									
Note: Sales Code ZBB Thru ZPM = Spring Group Types, Found on Individual Vehical Sales Code Listing									
1	04797643	2							STRUT, Front Suspension
	0SG81964								Mopar V-Line Alternative Part
2	04694796	2							ISOLATOR, Spring
3									SPRING, Front Coil
	04684563	1							with All Susp (ZBB,ZPB) Tag#563
	04684564	1							with All Susp (ZBC,ZPC) Tag#564
	04684565	1							with All Susp (ZBD,ZPD) Tag#565
	04684566	1							with A ll Susp (ZBE,ZPE) Tag#566
	04684567	1							with All Susp (ZBF,ZPF) Tag#567
	04684568	1							with All Susp (ZBG,ZPG) Tag#568
	04684569	1							with All Susp (ZBH,ZPH) Tag#569
	04684570	1							with All Susp (ZBJ,ZPJ) Tag#570
	04684571	1							with All Susp (ZBK,ZPK) Tag#571
	04684572	1							with All Susp (ZBL,ZPL) Tag#572
	04684573	1							with All Susp (ZBM,ZPM) Tag#573
4	04684442	2							BUMPER, Jounce
5	04684443	2							SHIELD, Shock Absorber Dust
6	04684136	2							SEAT, Spring
7	06101445	4							NUT AND WASHER, Hex Nut-Coned Washer, M8 x 1.25, Strut Mount NUT
8	06502698	2							NUT AND WASHER, Hex Nut-Coned Washer, M8 x 1.25 NUCKLE, Front
9	06101445	6							NUT AND WASHER, Hex Nut-Coned Washer, M8 x 1.25 NUCKLE, Front
10									Right
	04694822	1							Right
	04694823	1							Left
11	04694747	1							BALL JOINT, Lower Control Arm
12									ARM, Control
	04694760	1							Right
	04694761	1							Left
13	06503870	4							NUT AND WASHER, Hex Lock Nut-Coned Washer, M12 x 1.75, Link to Sway Bar
14	04694855	2							LINK, Sway Eliminator
15	06502954	2							SCREW AND WASHER, Hex Head, M10x1.5x53

AR = use ase required - = Non illustrated part

Suspension, Front
Figure 2-145



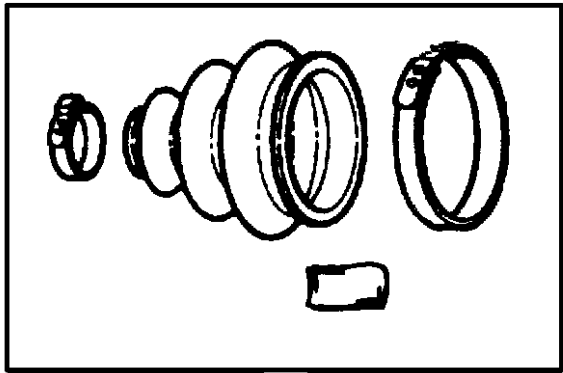
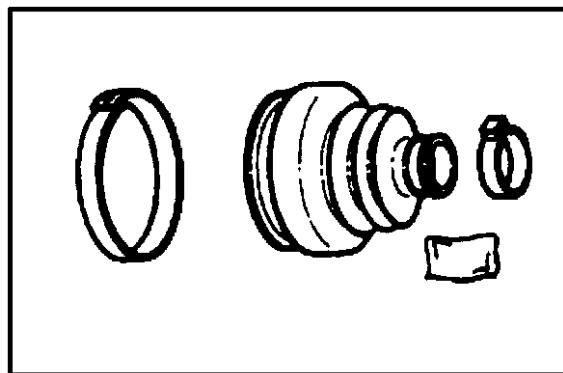
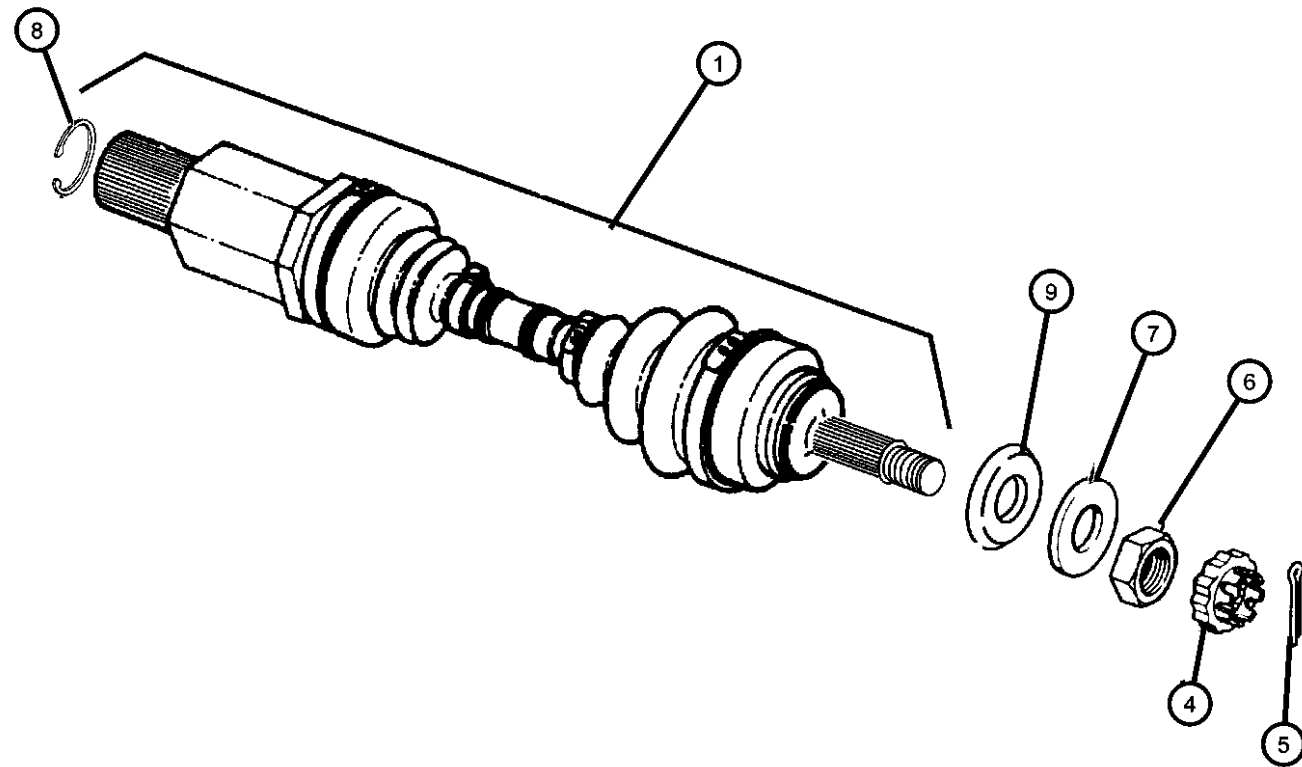
ITEM	PART NUMBER	QTY	LINE	SERIES	BODY	ENGINE	TRANS	TRIM	DESCRIPTION
16	04684298	2							CLAMP, Stabilizer Bar to Sill
17	04684890	2							CUSHION, Sway Eliminator
18	04694751	1							BAR, Front Sway
19	06504508	2							BOLT, Hex Head, M14 x 2.00 x 120.00
20	04694777	2							RETAINER, Lower Control Arm
21	04797723	4							BOLT PACKAGE, Camber Adjustment
22	04797449	1							SEAL, Ball Joint, (Package)
23	04684418	2							BEARING, Strut Mount
24	04694745	1							FITTING, Ball Joint, Zinc
25	04684637	2							WASHER, Dog Bone Strut
26	04694870	2							MOUNT, Strut
27	06502335	2							NUT, Hex Lock, M14 x 2.00
28	06502698	4							NUT
29	06503307	4							BOLT, Hex Head, M14 x 2.0 x 74.00
30	06503304	2							STUD, Wheel Stop
31	04684548	1							BUSHING, Lower Control Arm
32	06101848	4							SCREW AND WASHER, Hex Head, M10-1.50x30, Lower Control Arm Bracket to Cradle
33	06502336	2							BOLT, Hex Head, M14x2.0x57
34	06503308	2							BOLT, Cam, M14 x 2.0 x 74.00
35	06502696	2							NUT, Hex Flange Lock, M14x1.50
36	06503307	4							BOLT, Hex Head, M14 x 2.0 x 74.00
37	06502698	3							NUT
		2							C, Y U, Z

AR = use ase required - = Non illustrated part

Shaft, Front Drive
Figure 2-245

ITEM	PART NUMBER	QTY	LINE	SERIES	BODY	ENGINE	TRANS	TRIM	DESCRIPTION
------	-------------	-----	------	--------	------	--------	-------	------	-------------

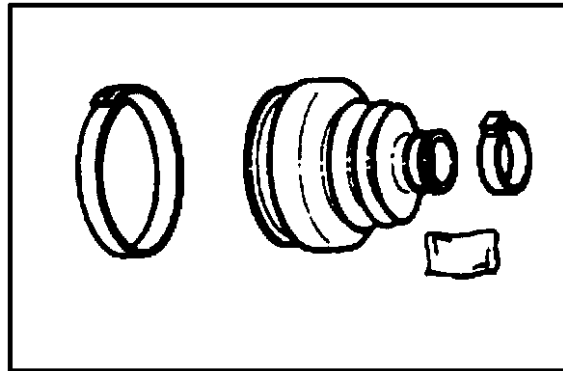
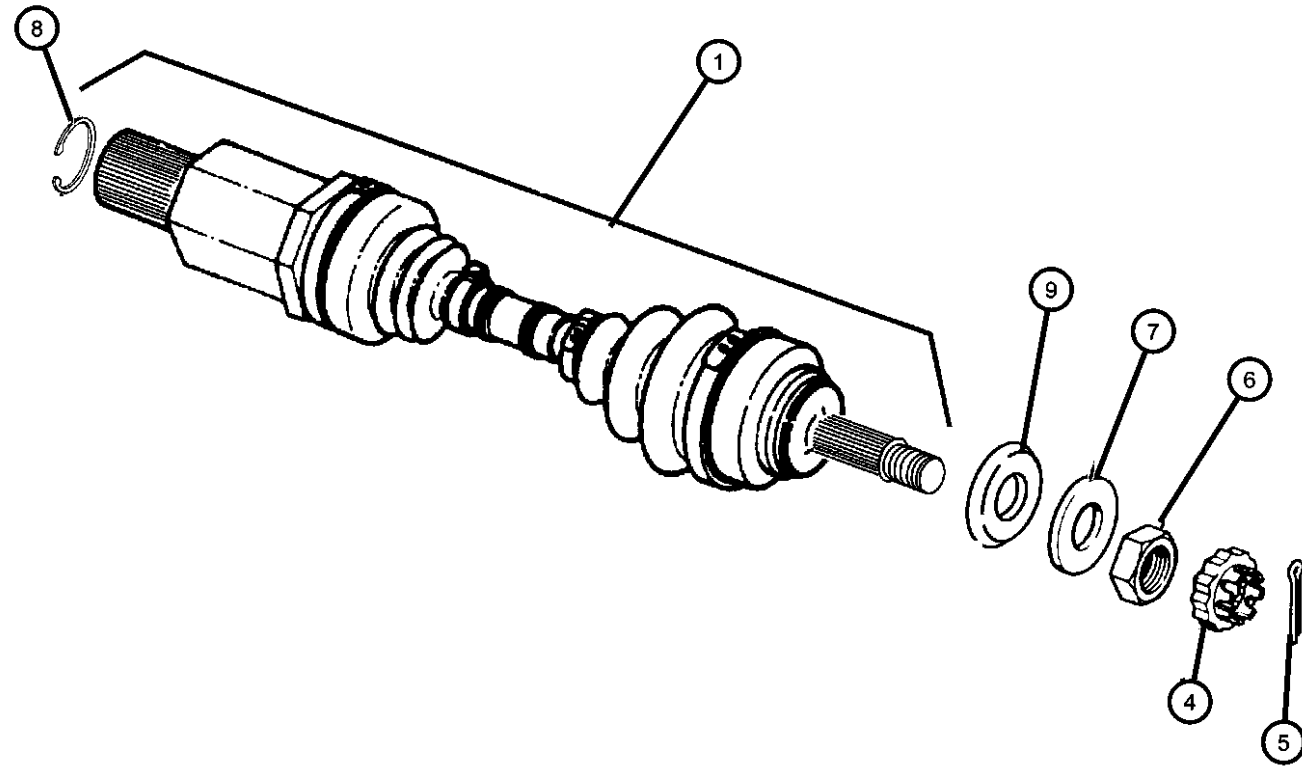
Notes: Sale Codes ECB=2.0L 4CYL SOHC 16V



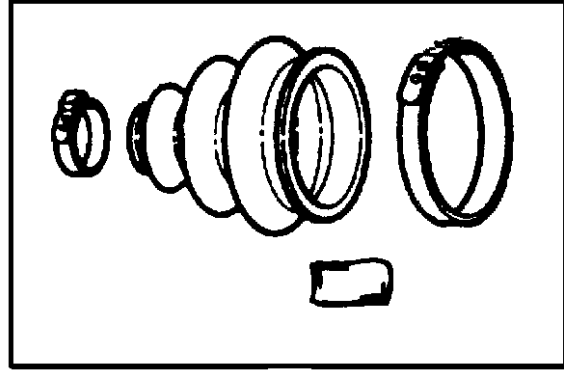
1	04808135	1					DD3, DDF		SHAFT, Axle Half Lt w/o ABS All Engines Tag#4808135 w/Manual Trans FWD
	04808298	1	C, U						Rt w/ABS Tag# 4808298 All Engines w/Auto Trans
	04808540	1					DD3, DDF		Rt w/o ABS All Engines Tag#4808540 w/Man Trans FWD
	04808548	1	Y, Z			EGA			Rt w/o ABS) Tag# 4808548 w/Auto Trans
	04808578	1	Y, Z			EGA			Rt w/ABS Tag# 4808578 w/Auto Trans
	04808580	1					DD3, DDF		Rt w/ABS All Engines Tag#4808580 w/Man Trans FWD
	04808883	1					DD3, DDF		Lt w/ABS All Engines Tag#4808883 w/Man Trans FWD
	04808965	1	Y, Z			EGA			Lt w/o ABS Tag# 4808965 w/Auto Trans
	04808971	1	Y, Z			EGA			Lt w/ABS) Tag# 4808971 w/Auto Trans
		1	C, U						Lt w/ABS Tag# 4808971 w/Auto Trans
2	04797699	1	Y			EDZ	DGL		BOOT KIT, Half Shaft, Inner Rt with or without ABS
	R2826100								Mopar Remanufactured Part
		1	C						Rt with or without ABS
	R2826100								Mopar Remanufactured Part
		1					DD3, DDF		Rt All Engines with or without ABS
	R2826100								Mopar Remanufactured Part
		1	Y, Z			EGA			Rt with or with out ABS
	R2826100								Mopar Remanufactured Part
	04797700	1	Y			EDZ	DGL		Lt with or with out ABS
		1	C						Lt with or without ABS
		1					DD3, DDF		Lt All Engines with or without ABS
		1	Y, Z			EGA			Lt with or with out ABS
3	04641181	1	Y			EDZ	DGL		BOOT KIT, Half Shaft, Outer With or Without ABS
	R2826075								Mopar Remanufactured Part
		1	C						With or Without ABS
	R2826075								Mopar Remanufactured Part
		1					DD3, DDF		With or Without ABS
	R2826075								Mopar Remanufactured Part
		1	Y, Z			EGA			With or Without ABS
	R2826075								Mopar Remanufactured Part

AR = use ase required - = Non illustrated part

Shaft, Front Drive
Figure 2-245



2



3

ITEM	PART NUMBER	QTY	LINE	SERIES	BODY	ENGINE	TRANS	TRIM	DESCRIPTION
4									NUT AND WASHER PACKAGE, Front Hub
	04293167	2	Y, Z						
		4	C, U						
5									PIN, Cotter, M5x36.00
	06500336	2	Y, Z						
		4	C, U						
6									NUT, Hub, M22x1.5
	06500298	2	Y, Z						
		4	C, U						
7									WASHER, Flat, M23x38.0x405
	06503352	2	Y, Z						
		4	C, U						
8									CIRCLIP, Half Shaft
	04797704	1	Y			EDZ	DGL		
		1					DD3, DDF		
		1	C, U						
		1	Y, Z			EGA			
9									SHIELD, Wheel Bearing
	04641698	1					DD3, DDF		
		1	Y, Z			EGA			
		1	C, U						

AR = use ase required - = Non illustrated part

Group - 3

Rear Axle

Group - 3 Rear Axle

Group-Fig. No.

Illustration Title

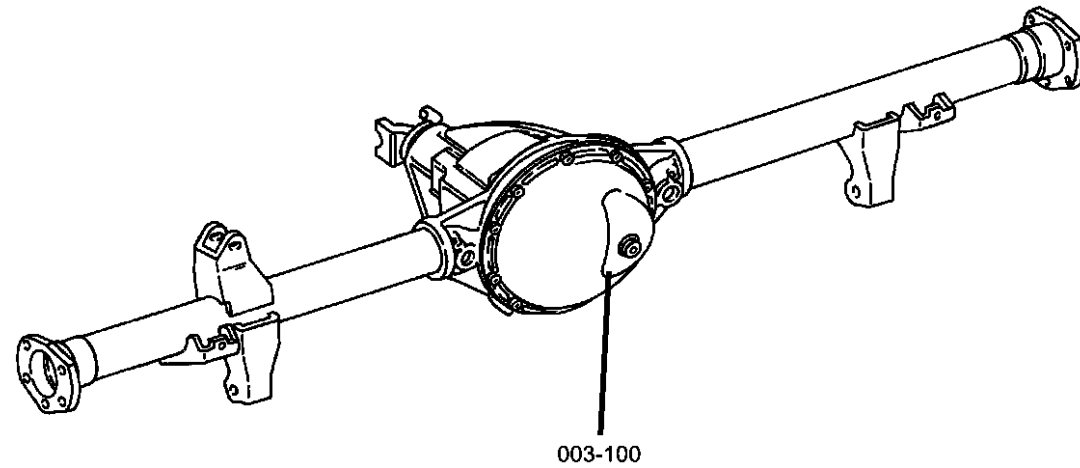
Rear Axle

Differential, Rear Fig. 3 - 115

Torque Tube Assembly Fig. 3 - 130

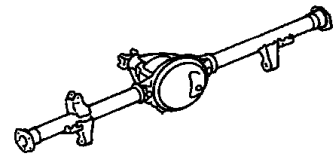
Rear Axle Shafts

Shaft, Rear Axle Fig. 3 - 420

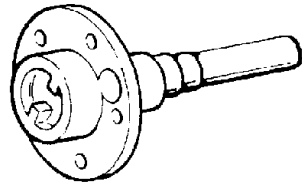


003-100

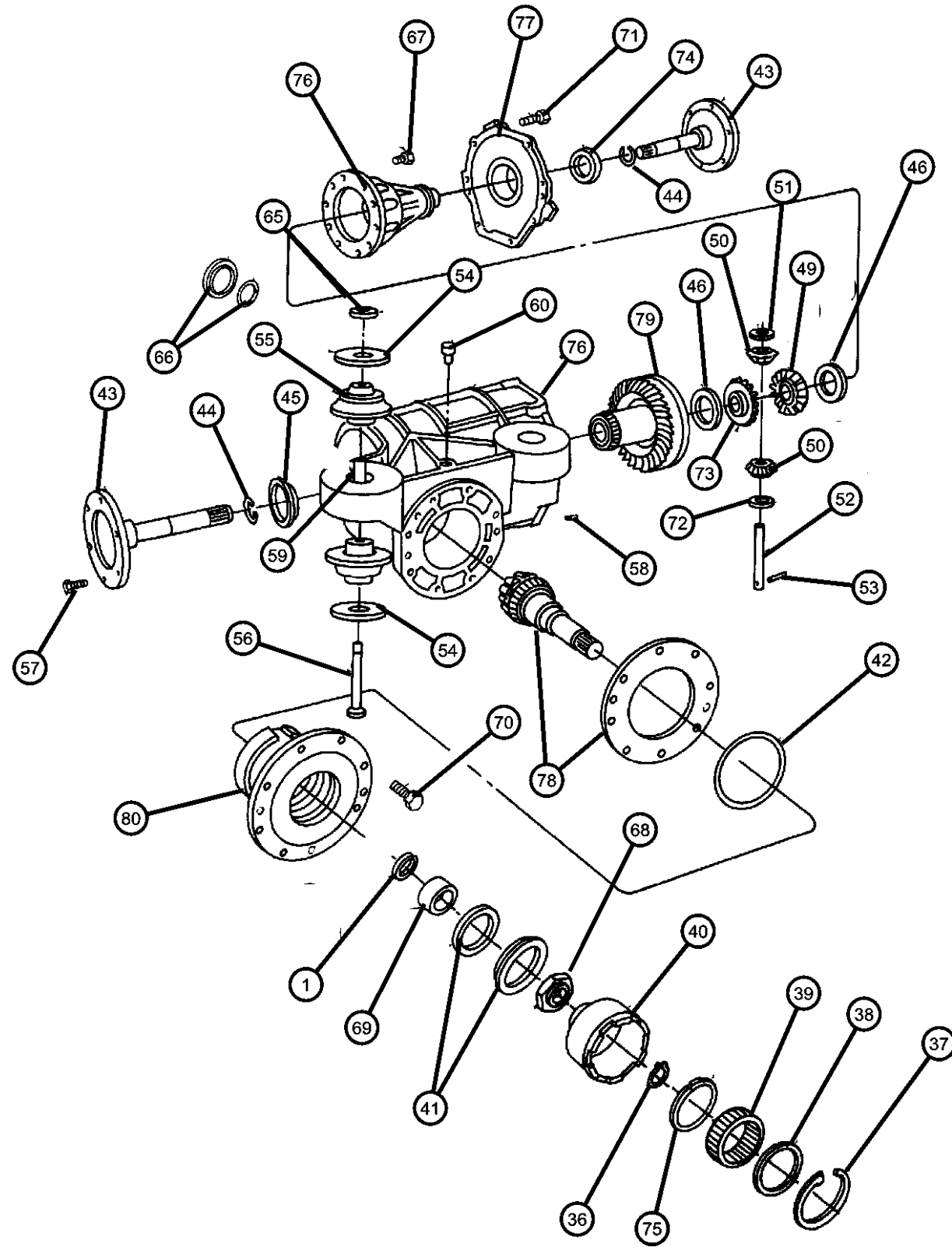
003-100
Rear Axle



003-400
Rear Axle Shafts



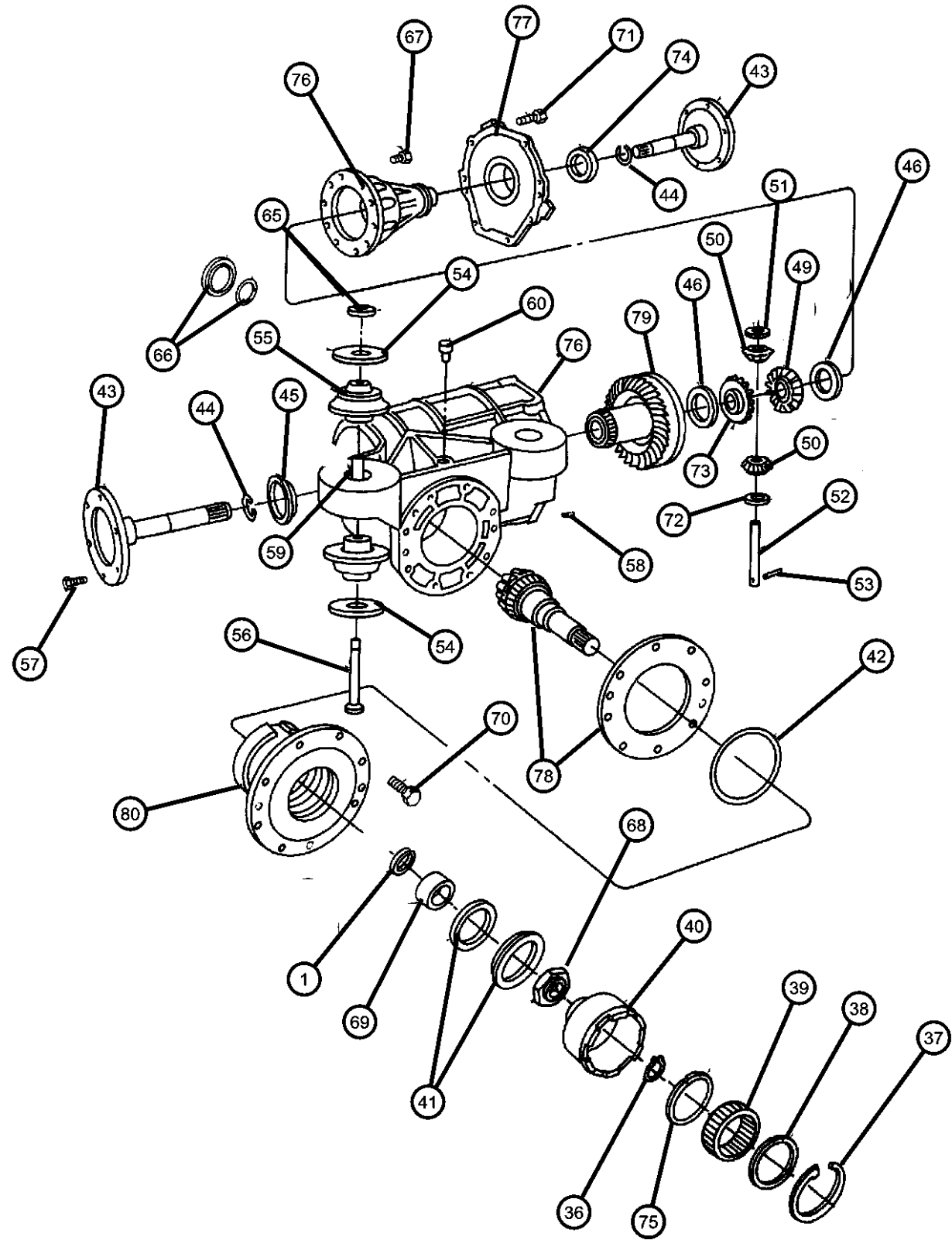
Differential, Rear
Figure 3-115



ITEM	PART NUMBER	QTY	LINE	SERIES	BODY	ENGINE	TRANS	TRIM	DESCRIPTION
1	04641415	AR	C, U						SHIM, Output Shaft, 4.67 - 4.69mm
-2	04641416	AR	C, U						SHIM, Output Shaft, 4.70 - 4.72mm
-3	04641417	AR	C, U						SHIM, Output Shaft, 4.73 - 4.75mm
-4	04641418	AR	C, U						SHIM, Output Shaft, 4.76 - 4.78mm
-5	04641419	AR	C, U						SHIM, Output Shaft, 4.79 - 4.81mm
-6	04641420	AR	C, U						SHIM, Output Shaft, 4.82 - 4.84mm
-7	04641421	AR	C, U						SHIM, Output Shaft, 4.85 - 4.87mm
-8	04641422	AR	C, U						SHIM, Output Shaft, 4.88 - 4.90mm
-9	04641423	AR	C, U						SHIM, Output Shaft, 4.91 - 4.93mm
-10	04641424	AR	C, U						SHIM, Output Shaft, 4.94 - 4.96mm
-11	04641425	AR	C, U						SHIM, Output Shaft, 4.97 - 4.99mm
-12	04641426	AR	C, U						SHIM, Output Shaft, 5.00 - 5.02mm
-13	04641427	AR	C, U						SHIM, Output Shaft, 5.03 - 5.05mm
-14	04641428	AR	C, U						SHIM, Output Shaft, 5.06 - 5.08mm
-15	04641429	AR	C, U						SHIM, Output Shaft, 5.09 - 5.11mm
-16	04641430	AR	C, U						SHIM, Output Shaft, 5.12 - 5.14mm
-17	04641431	AR	C, U						SHIM, Output Shaft, 5.15 - 5.17mm
-18	04641432	AR	C, U						SHIM, Output Shaft, 5.18 - 5.20mm
-19	04641433	AR	C, U						SHIM, Output Shaft, 5.21 - 5.23mm
-20	04641434	AR	C, U						SHIM, Output Shaft, 5.24 - 5.26mm
-21	04641435	AR	C, U						SHIM, Output Shaft, 5.27 - 5.29mm
-22	04641436	AR	C, U						SHIM, Output Shaft, 5.30 - 5.35mm
-23	04641437	AR	C, U						SHIM, Output Shaft, 5.33 - 5.35mm
-24	04641438	AR	C, U						SHIM, Output Shaft, 5.36 - 5.38mm
-25	04641439	AR	C, U						SHIM, Output Shaft, 5.39 - 5.41mm
-26	04641440	AR	C, U						SHIM, Output Shaft, 5.42 - 5.44mm
-27	04641441	AR	C, U						SHIM, Output Shaft, 5.45 - 5.47mm
-28	04641442	AR	C, U						SHIM, Output Shaft, 5.48 - 5.50mm
-29	04641443	AR	C, U						SHIM, Output Shaft, 5.51 - 5.53mm
-30	04641444	AR	C, U						SHIM, Output Shaft, 5.54 - 5.56mm
-31	04641445	AR	C, U						SHIM, Output Shaft, 5.57 - 5.59mm
-32	04641446	AR	C, U						SHIM, Output Shaft, 5.60 - 5.62mm
-33	04641447	AR	C, U						SHIM, Output Shaft, 5.63 - 5.65mm
-34	04641448	AR	C, U						SHIM, Output Shaft, 5.66 - 5.68mm
-35	04641449	AR	C, U						SHIM, Output Shaft, 5.69 - 5.71mm
36									SNAP RING
	04486755	1	C, U						52
		1	C, U						53
37									SNAP RING
	04518952	1	C, U						53
		1	C, U						52

AR = use ase required - = Non illustrated part

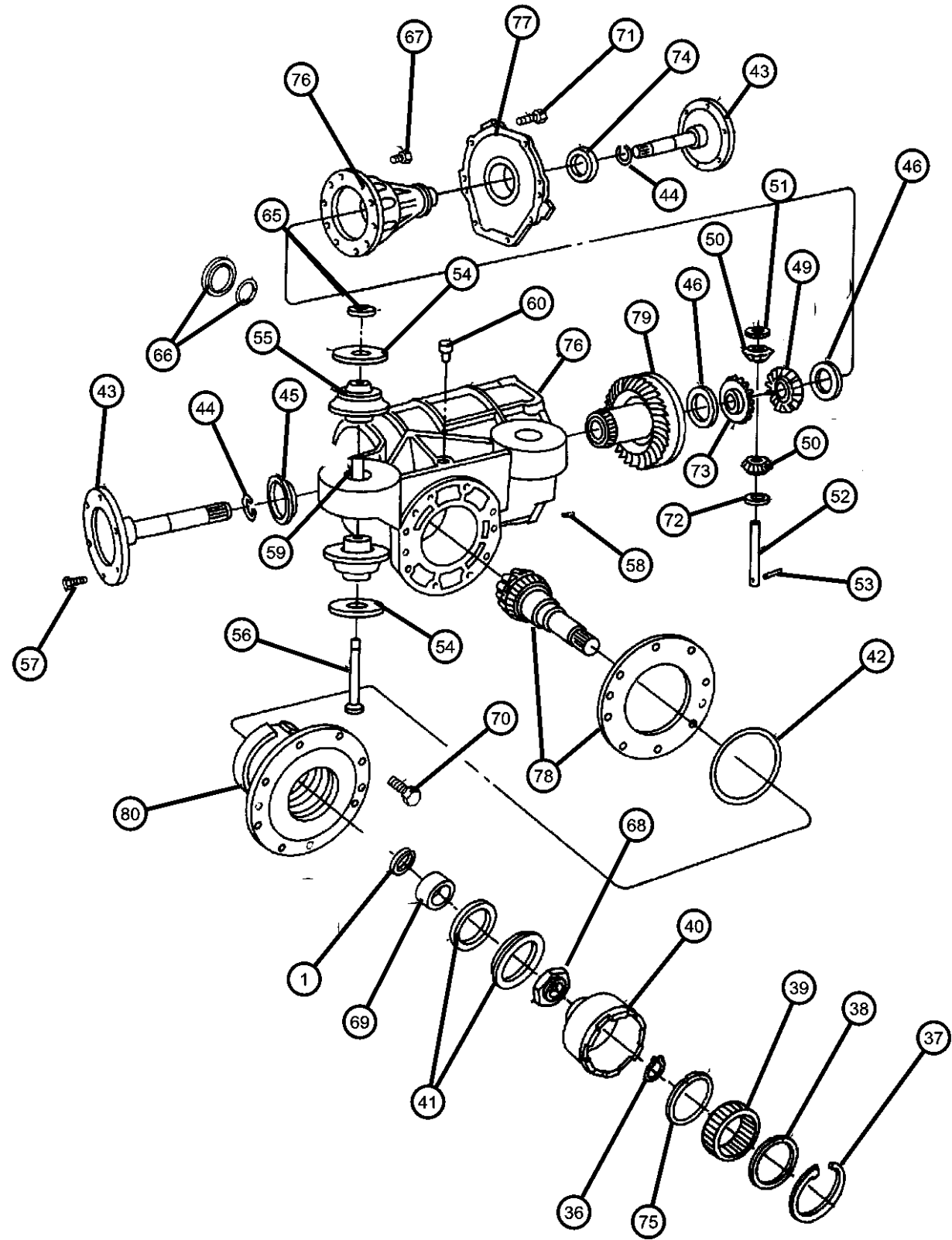
Differential, Rear
Figure 3-115



ITEM	PART NUMBER	QTY	LINE	SERIES	BODY	ENGINE	TRANS	TRIM	DESCRIPTION
38									SPACER, Overrunning Clutch
	04518536	1	C		52				
		1	C		53				
39									CLUTCH, Rear Axle
	04518953	1	C, U		53				
		1	C, U		52				
40									RACE, Overrunning Clutch
	04518510	1	C, U		53				
		1	C, U		52				
41									SEAL PACKAGE, Differential Carrier
	04637109	1	C		52				
		1	C		53				
42	04486077	1	C, U						O RING, PTU Case Rear Cover
43									OUTPUT SHAFT, Rear Axle
	04641770	2	C, U		53				
		2	C, U		52				
44									SNAP RING
	04518780	2	C, U		53				
		2	C, U		52				
45	04641263	1	C, U						SEAL, Extension
46	04504568	1							WASHER PACKAGE, Side Gear Thrust, .028/.026, .033/.031, .038/.036, 043/.041, .048/.046
-47	04412016	1							THRUST WASHER, Differential, .051-.053
-48	04412017	1							THRUST WASHER, Differential, .056-.058
49	04659502	2							GEAR, Differential Side
50	04348679	2							PINION, Differential
51									WASHER, Pinion Thrust
	04137024	2	C		52				
		2	C		53				
52	04659142	1							SHAFT, Pinion Gear
53	06503827	1							PIN, Pinion Shaft
54									WASHER, Rear Axle Isolator
	04486903	2	C, U		52				
		2	C, U		53				
55									BUSHING, Isolator
	04486901	4	C, U		52				
		4	C, U		53				
56									BOLT, Rear Carrier
	04518329	2	C, U		53				

AR = use ase required - = Non illustrated part

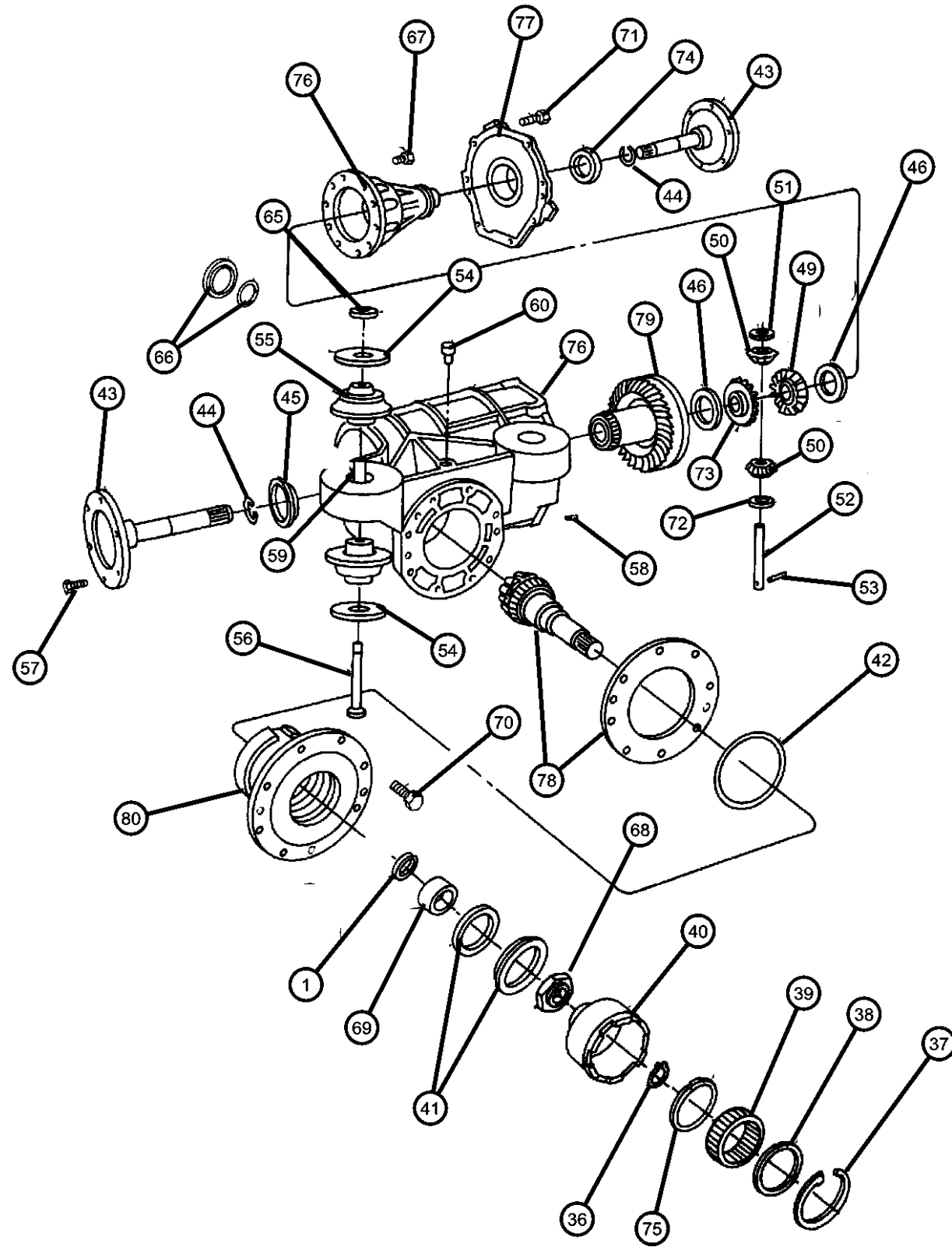
Differential, Rear
Figure 3-115



ITEM	PART NUMBER	QTY	LINE	SERIES	BODY	ENGINE	TRANS	TRIM	DESCRIPTION
		2	C, U		52				
57	06502350	12	C		53				BOLT, Hex Flange Head, M10x1.50x25
58	04486046	1	C, U						MAGNET, Power Take Off
59									SLEEVE, Carrier Rubber
	04486902	4	C, U		52				
		4	C, U		53				
60									VENT, Cap, Jiggle
	02124715	1	C, U		52				
		1	C, U		53				
-61									HOSE, Axle Vent
	04641681	1	C, U		53				
		1	C, U		52				
-62	04641290	AR							RESERVOIR, Rear Carrier, Remote Vent
-63	04213328	1	C, U						VENT, Cap
-64	04641701	1	C, U						CLAMP, Axle Vent
65									WASHER, Rear Axle Isolator
	04518308	2	C, U		53				
		2	C, U		52				
66	04637108	1	C, U						PLUG PACKAGE, Fill
67	04637108	1							BOLT, Hex Head, M8x1.25x30, (NOT SERVICED)
68									NUT, Hex Flange Lock, M30X1.50
	04518766	1	C, U		53				
		1	C, U		52				
69									SPACER, Drive Pinion
	04518143	1	C, U		53				
		1	C, U		52				
70		1							SCREW, M8x1.25x25, (NOT SERVICED)
71		1							BOLT, Hex Head, M8x1.25x30, (NOT SERVICED)
72	04137024	2							WASHER, Pinion Thrust
73	04659502	2							GEAR, Differential Side
74	04641263	1	C						SEAL, Extension
75									SPACER, Overrunning Clutch
	04518536	1	C		52				
		1	C		53				
76		1							CASE, Differential, (Body, Service in Carrier, Differential), (NOT SERVICED)
77		1							COVER, Differential, End (Service in Carrier, Differential), (NOT SERVICED)

AR = use ase required - = Non illustrated part

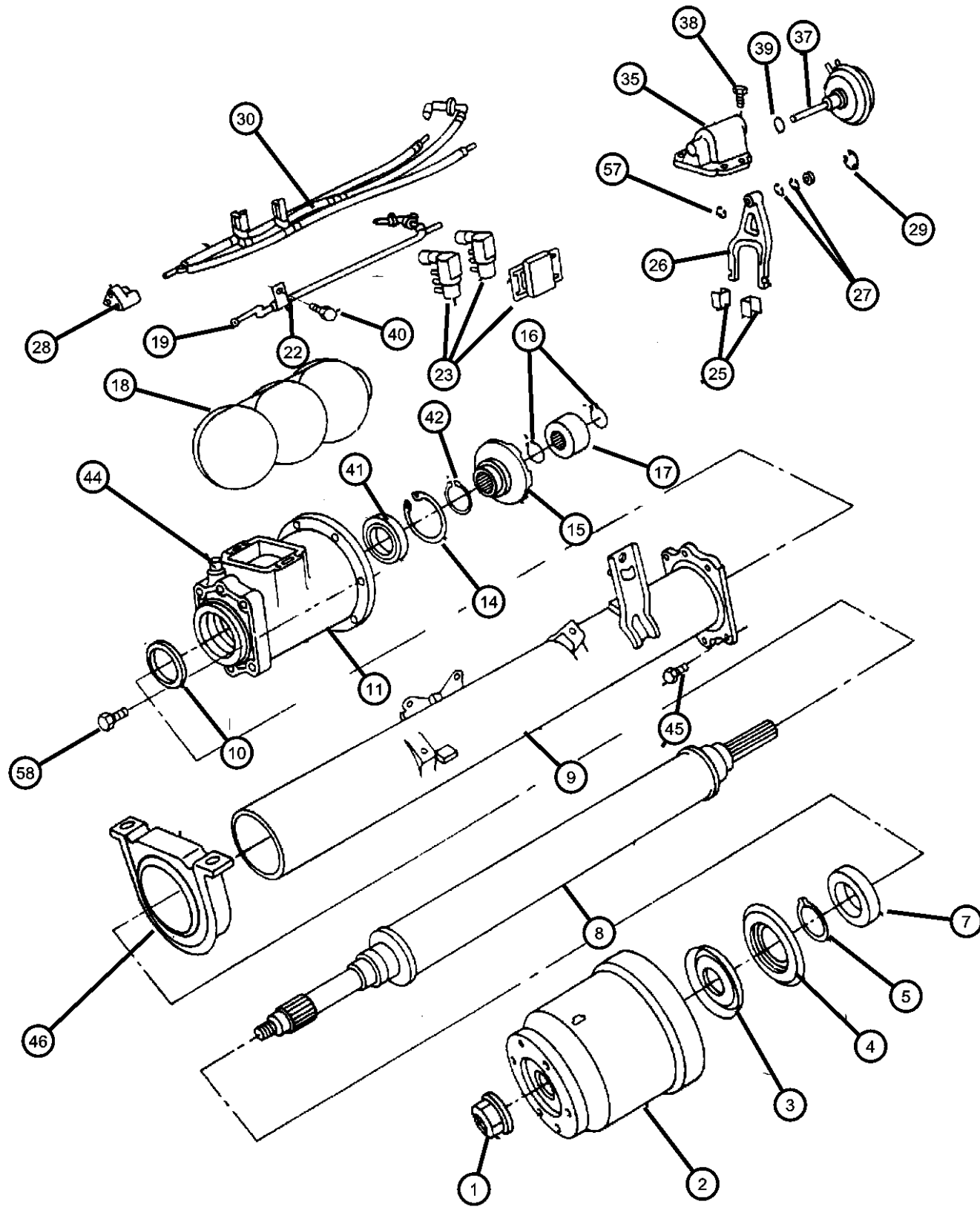
Differential, Rear
Figure 3-115



ITEM	PART NUMBER	QTY	LINE	SERIES	BODY	ENGINE	TRANS	TRIM	DESCRIPTION
78		1							PINION, Differential, (Service in Carrier, Differential), (NOT SERVICED)
79		1							FLANGE, Center Differential, (Service in Carrier, Differential) With Ring Gear, (NOT SERVICED)
80		1							COVER, Differential, Front (Service in Carrier, Differential), (NOT SERVICED)
-81									CASE, Differential
	04641786	1	C		52				(Carrier Differential Complete)
		1	C		53				(Carrier Differential Complete)

AR = use ase required - = Non illustrated part

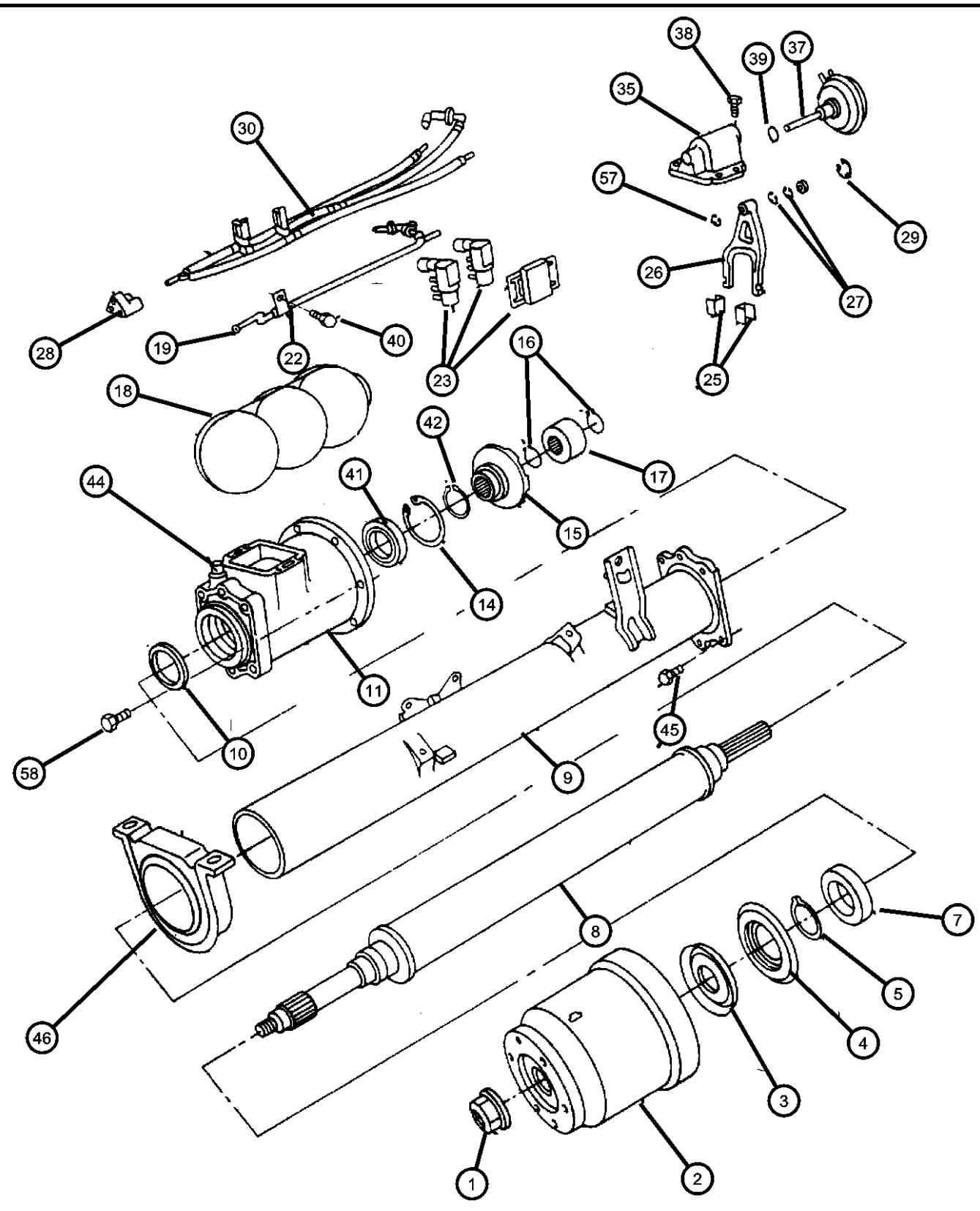
Torque Tube Assembly
Figure 3-130



ITEM	PART NUMBER	QTY	LINE	SERIES	BODY	ENGINE	TRANS	TRIM	DESCRIPTION
1	04518903	1	C, U						NUT, Hex Flange Lock, M16x1.5
2									COUPLING, Viscous
	04641771	1	C		53				
		1	C, U		52				
		1	C, U		53				
		1	C		52				
3									PLATE, Transmission Module
	04641756	1	C, U		52				
		1	C, U		53				
4									SHIELD, Bearing, Torque tube
	04641578	1	C, U		53				
		1	C, U		52				
5									RETAINING RING, Bearing
	04518551	1	C, U		53				
		1	C, U		52				
-6									RETAINING RING, Bearing, 1.80
	04486165	1	C, U		52				
		1	C, U		53				
7									BEARING, Viscous Coupling
	04486164	1	C, U		52				
		1	C, U		53				
8									SHAFT, Torque
	04641630	1	C, U		53				
		1	C, U		52				
9									TUBE, Torque
	04641819	1	C		52				
		1	C		53				
10									BEARING PACKAGE, Torque Shaft
	04637106	1	C		52				
		1	C		53				
11									CASE, Overrunning Clutch
	04641222	1	C, U		53				
		1	C, U		52				
-12	06035417	1							PLUG, Oil Drain, Filler (Plug)
-13	06032145	1	C, U						GASKET, Drain Plug
14									SNAP RING
	04486166	1	C, U		52				
		1	C, U		53				
15									CLUTCH, Torque Tube
	04518945	1	C, U		53				

AR = use ase required - = Non illustrated part

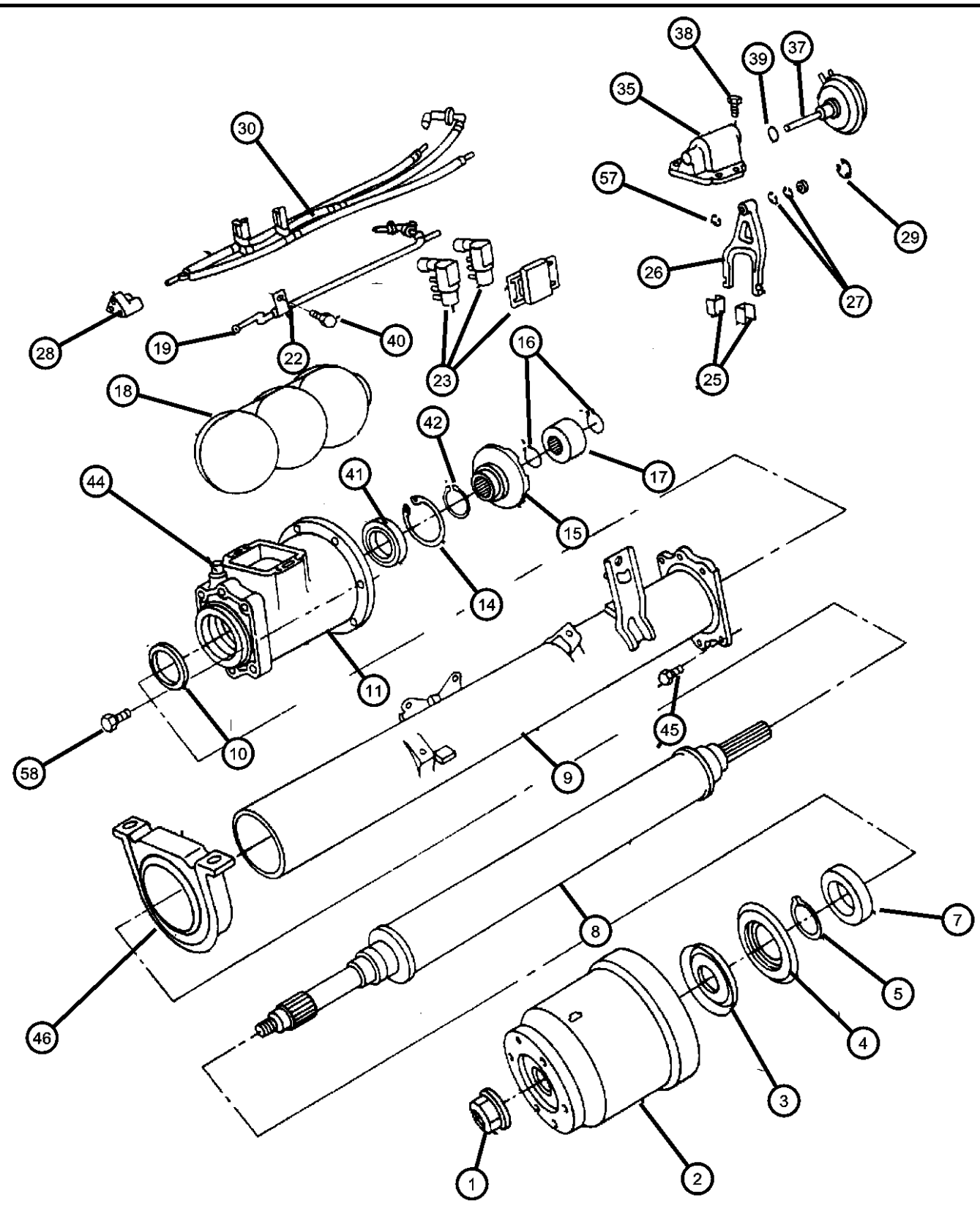
Torque Tube Assembly
Figure 3-130



ITEM	PART NUMBER	QTY	LINE	SERIES	BODY	ENGINE	TRANS	TRIM	DESCRIPTION
16		1	C, U		52				SNAP RING
	04486755	1	C, U		52				
17		1	C, U		53				RACE, Overrunning Clutch
	04518944	1	C, U		53				
18		1	C, U		52				RESERVOIR, Vacuum
	04518804	1	C, U		53				
		1	C, U		52				
19		1	C, U		52				TUBE, Rear Axle Vacuum
	04641644	1	C, U		52				
		1	C, U		53				
-20									HARNES, Overrunning Clutch Vacuum
	04641532	1	C, U		53				
		1	C, U		52				
-21									CLAMP, Hose
	04641005	1	C, U		52				
		1	C, U		53				
22									CLIP, Parking Brake Cable
	02207919	2	C, U		52				
		2	C, U		53				
23									SOLENOID, Overrunning Clutch
	05234219	1	C, U		53				
		1	C, U		52				
-24									BRACKET, Vacuum Solenoid
	05227034	1	C, U		52				
		1	C, U		53				
25									PAD, Shift Fork
	04338589	2	C, U		52				
		2	C, U		53				
26									FORK PACKAGE, Overrunning Clutch
	04518939	1	C, U		52				
		1	C, U		53				
27									SNAP RING, .302 ID .66 OD
	06023878	2	C, U		52				
		2	C, U		53				
28									CONNECTOR, Front Axle Vacuum Harness
	04431325	1	C, U		52				

AR = use ase required - = Non illustrated part

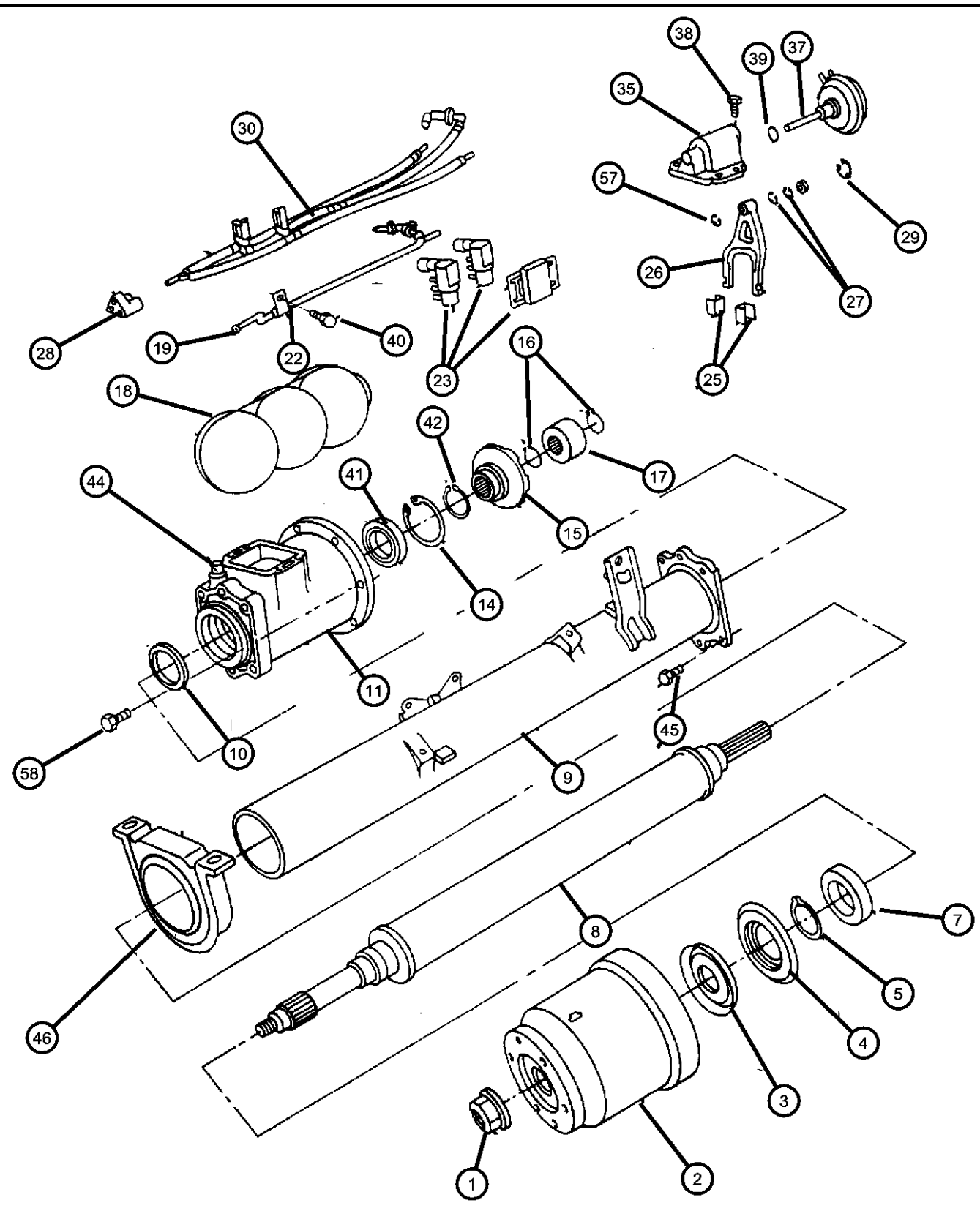
Torque Tube Assembly
Figure 3-130



ITEM	PART NUMBER	QTY	LINE	SERIES	BODY	ENGINE	TRANS	TRIM	DESCRIPTION
29		1	C, U		53				SNAP RING, Vacuum Motor
	06023879	1	C, U		52				
		1	C, U		53				
30		1	C, U		53				HARNES, Overrunning Clutch Vacuum
	04641532	1	C, U		53				
		1	C, U		52				
-31	04641573	1	C, U		53				HOSE, Vacuum, 3/16" Roll Stock
-32									SLEEVE, Tubing Cover
	04518881	2	C, U		52				
		2	C, U		53				
-33									CONNECTOR, Manifold Vacuum
	04100727	1	C, U		52				
		1	C, U		53				
-34	04641015	2	C, U						CLAMP, Hose, Aluminum
35									HOUSING, Overrunning Actuator
	04641223	1	C, U		52				
		1	C, U		53				
-36									SNAP RING, .302 ID .66 OD
	06023878	2	C, U		52				
		2	C, U		53				
37									MOTOR, Axle Vacuum
	04641566	1	C, U		52				with O-Ring
		1	C, U		53				with O-Ring
38									BOLT, Hex Head, M10x25
	06100166	4	C, U		53				
		4	C, U		52				
39									O RING, Vacuum Motor
	04641017	1	C, U		52				
		1	C, U		53				
40									SCREW, Self Tapping, M6x1x17
	06503472	1	C, U		52				
		1	C, U		53				
41									BEARING PACKAGE, Torque Shaft
	04637106	1	C		52				
		1	C		53				
42									RETAINING RING, Bearing
	04518551	1	C, U		53				
		1	C, U		52				

AR = use ase required - = Non illustrated part

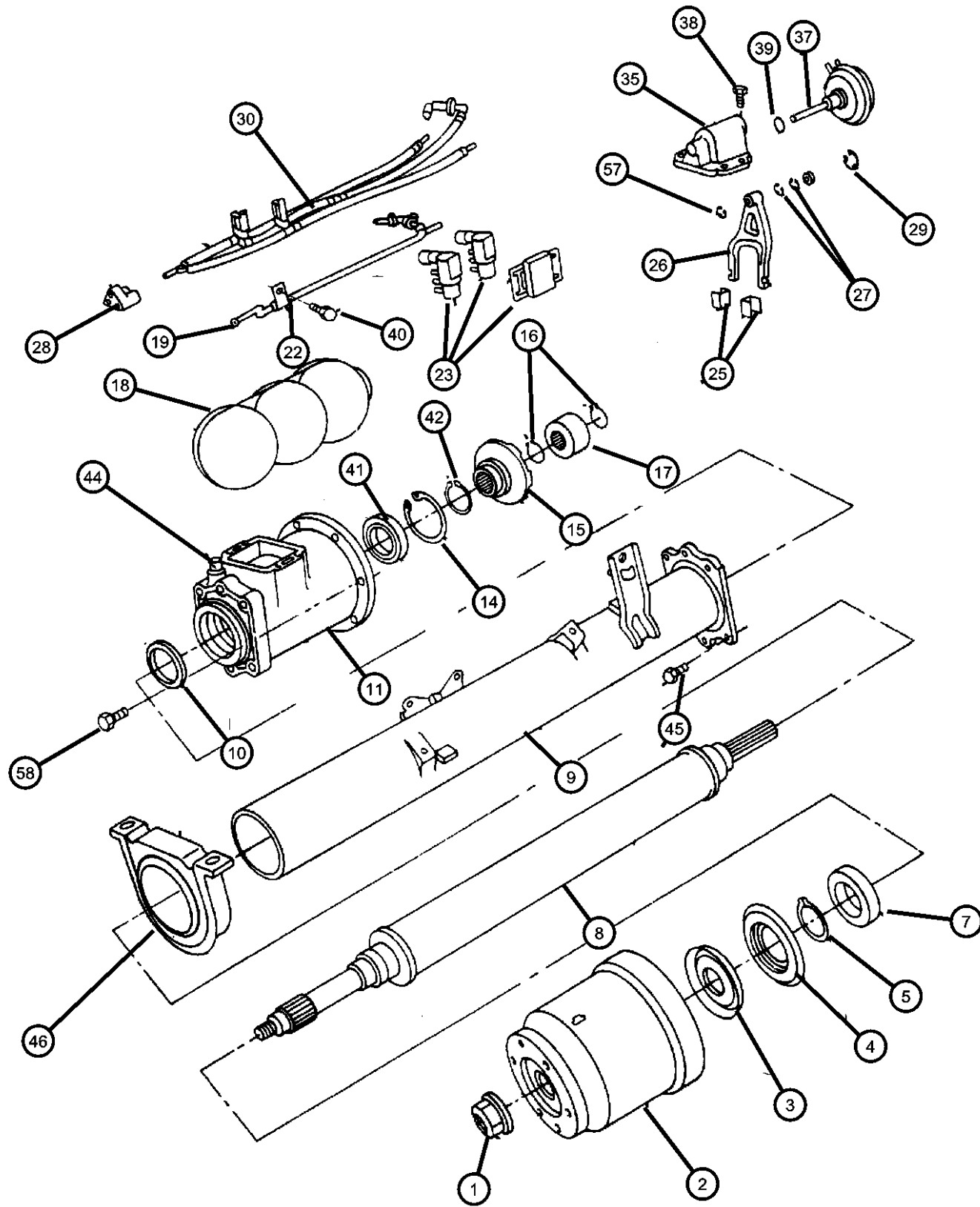
Torque Tube Assembly
Figure 3-130



ITEM	PART NUMBER	QTY	LINE	SERIES	BODY	ENGINE	TRANS	TRIM	DESCRIPTION
-43									RETAINING RING, Bearing, 1.80
	04486165	1	C, U		52				
		1	C, U		53				
44									VENT, Cap, Jiggle
	02124715	1	C, U		52				
		1	C, U		53				
45	06504171	8							SCREW, Hex Flange Head, M8x1.25x32
46									BRACKET, Torque Shaft
	04486317	1	C, U		52				
		1	C, U		53				
-47									CLIP, Tube To Crossmember, 1 Way
	04518943	6	C, U						
		6	C						
-48	04518887	1	C, U						TUBE, Rear Axle Vent Solenoid
-49	04458158	1	C, U						FILTER, Vacuum Solenoid
-50	04104998	2	C, U						CONNECTOR, Emission Hose, .18x.18
-51	04641015	2	C, U						CLAMP, Hose, Aluminum
-52	04641008	1	C, U						CLAMP, Hose Steel Keystone
-53	04641708	1	C, U						VENT, Rear Axle Overrunning Clutch
-54									TUBE, Vacuum
	04518591	2	C, U		52				
		2	C, U		53				
	04641571	1	C, U		52				Rubber Vent
-55									SCREW, Hex Flange Head
	06501586	8	C		52				
		8	C		53				
-56									TEE, Washer Hose
	03671410	1	C, U		52				
		1	C, U		53				
57									CONNECTOR, Front Axle Vacuum Harness
	04431325	1	C, U		52				
		1	C, U		53				
58		1							SCREW, (NOT SERVICED)
-59									CLIP, Over Running Clutch
	04518140	1	C		52				
		1	C		53				
-60									CLIP, Actuation Tube

AR = use ase required - = Non illustrated part

Torque Tube Assembly
Figure 3-130

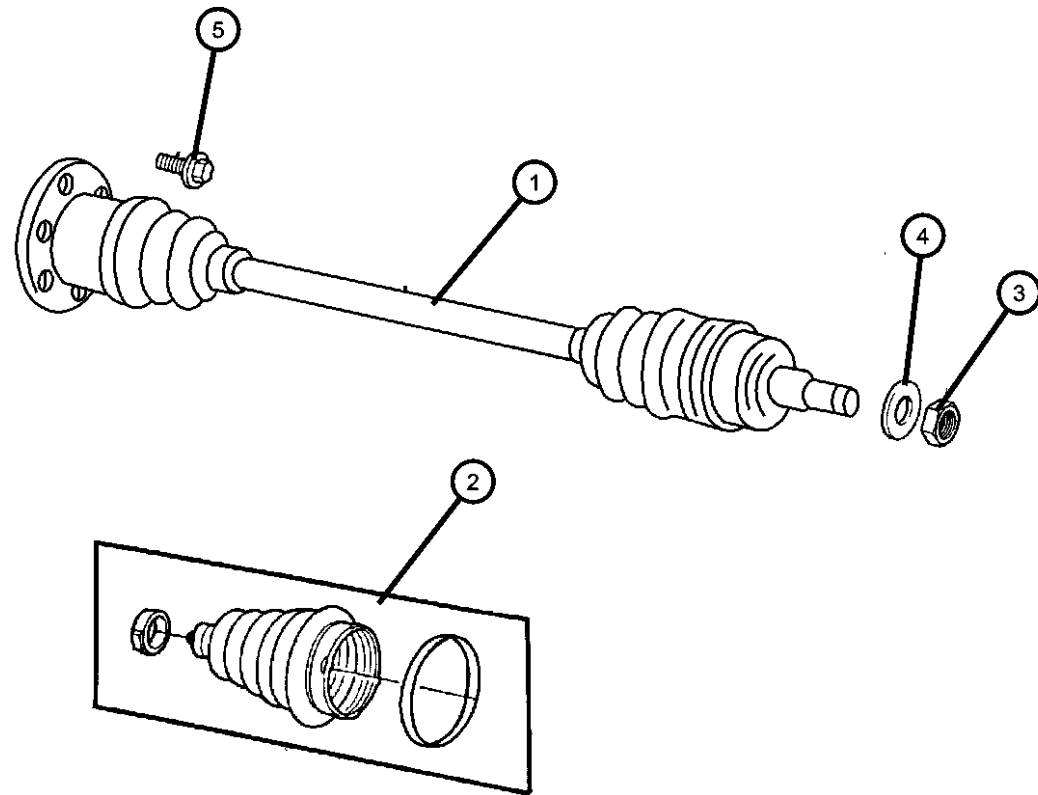


ITEM	PART NUMBER	QTY	LINE	SERIES	BODY	ENGINE	TRANS	TRIM	DESCRIPTION
	04641715	1	C		52				with EGH Engine
		1	C		53				with EGH Engine

AR = use ase required - = Non illustrated part

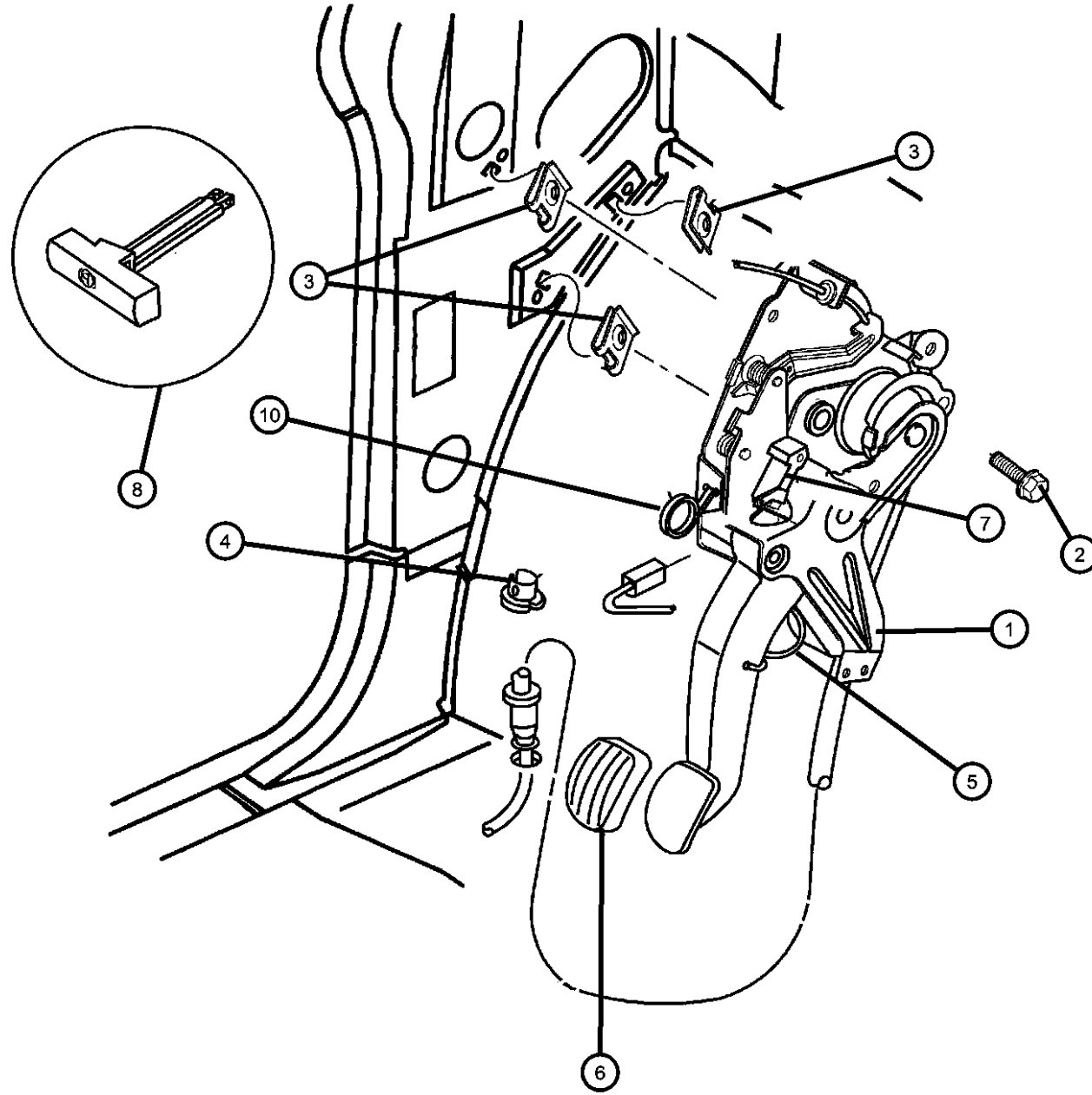
Shaft, Rear Axle
Figure 3-420

ITEM	PART NUMBER	QTY	LINE	SERIES	BODY	ENGINE	TRANS	TRIM	DESCRIPTION
1	04808598	2							SHAFT, Axle Half
2	04641245	2	C						BOOT KIT, Half Shaft
	R2826559								Mopar Remanufactured Part
3	06500298	4	C, U						NUT, Hub, M22x1.5
4	06503352	4	C, U						WASHER, Flat, M23x38.0x405
5	06502350	12							BOLT, Hex Flange Head, M10x1.50x25



AR = use ase required - = Non illustrated part

Lever, Parking Brake, Foot Operated
Figure 4-142



ITEM	PART NUMBER	QTY	LINE	SERIES	BODY	ENGINE	TRANS	TRIM	DESCRIPTION
Note: Sales Code DD3=Manual 5Speed									
Note:Sales Code DDF=Manual 5 Speed									
Note:Sales Code DGL=Automatic 4 Speed									
1									LEVER, Park Brake
	04683277	1	C, Y						with Auto Trans
	04764099	1	Y						with Manual Trans
2	06504126	3	C, Y						SCREW AND WASHER, Pan Head, M8x1.25x40.00, Parking Brake Lever Mount
3	06101283	2							U-NUT, M8x1.25, Multi THD Parking
4	04683544	1	C, Y						RETAINER, Parking Brake Cable
5	04683544	1							PIN, (Service in Item 1), (NOT SERVICED)
6	04683478	1	C, Y						PAD, Parking Brake Lever
7									SWITCH, Parking Brake
	04685395	1	C, Y						with Auto Trans
	05209922	1	Y						with Manual Transmission
8									HANDLE, Parking Brake
	0HV18SJK	1	C						Med or Dark Silverfe
	0HV18SK5	1	C						Camel Tan/Agate
	0HV18RC3AB	1	C, Y						After 11-25-96 Mist Gray
	0HV18RK5AB	1	C, Y						After 11-25-96 Camel or Tan/Agate
-9	06032723	1							SCREW, Self Tapping, M4.2x1.69x19.05
10	04683282	1	C						CABLE, Parking Brake Release, Up to 11-25-96
-11	04683282AB	1							CABLE, Parking Brake, After 11-25-96

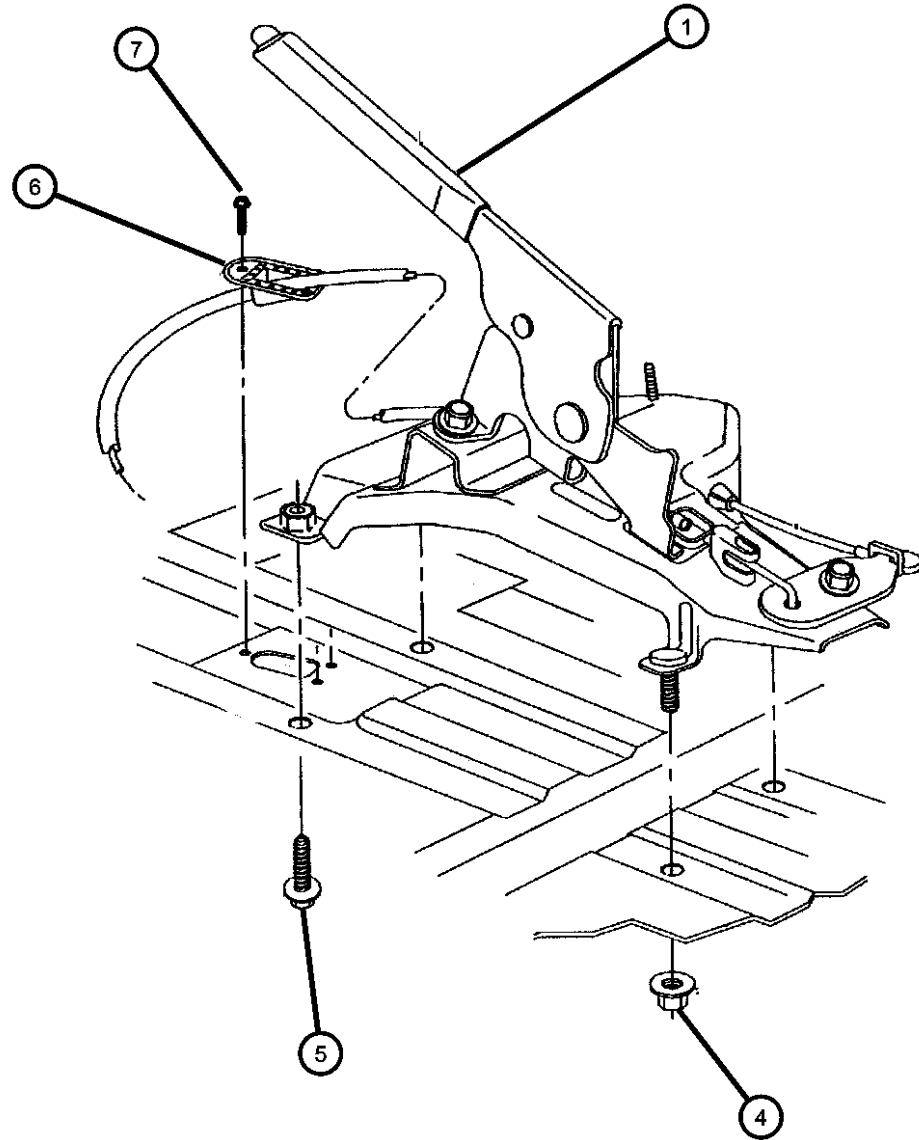
AR = use ase required - = Non illustrated part

Lever, Parking Brake, Hand Operated
Figure 4-144

ITEM	PART NUMBER	QTY	LINE	SERIES	BODY	ENGINE	TRANS	TRIM	DESCRIPTION
------	-------------	-----	------	--------	------	--------	-------	------	-------------

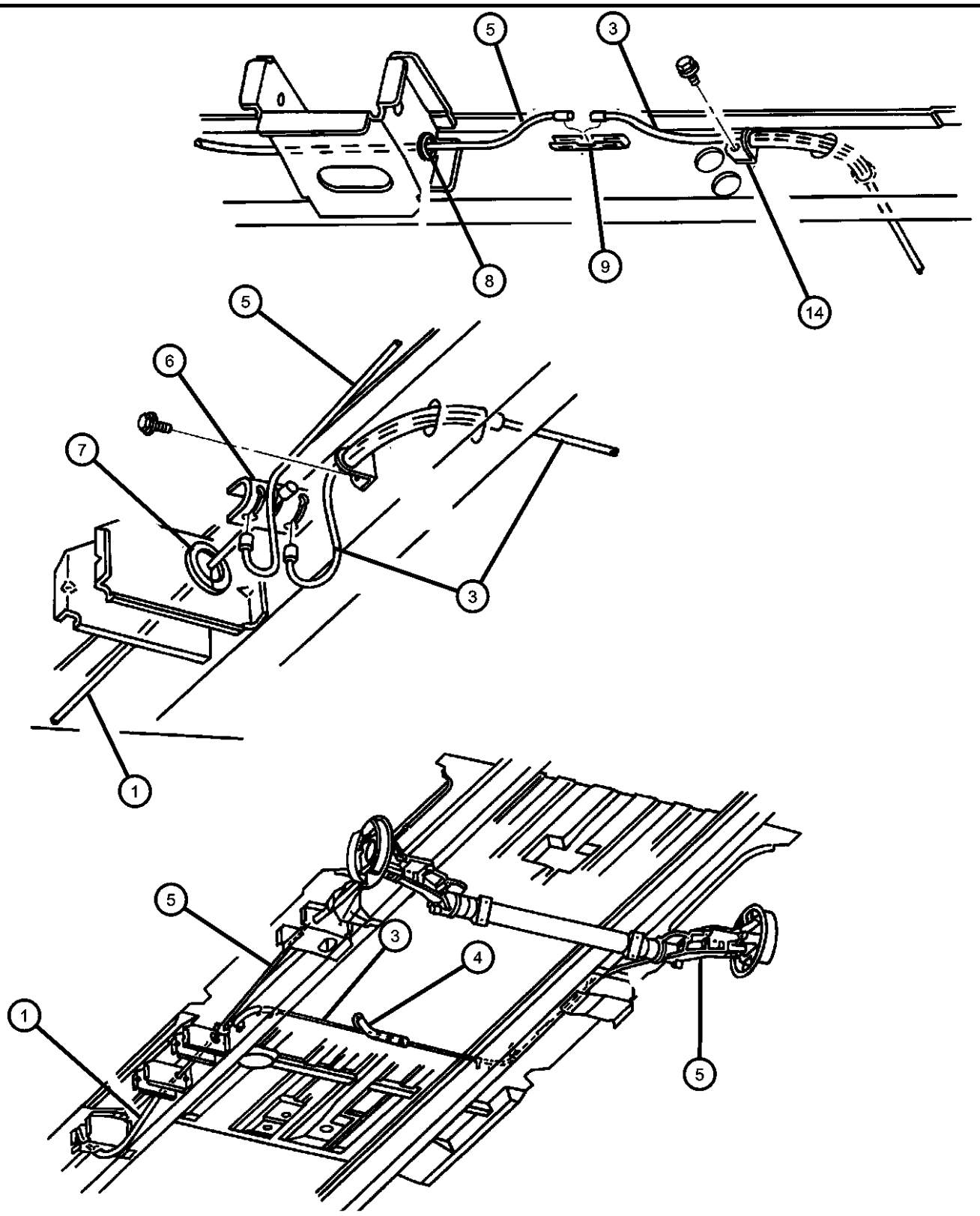
Note: Sales DGL=Automatic 4 Speed

1									LEVER, Park Brake
	04764099	1	U, Z						Up to 1-7-97
	04848499AB	1	U, Z						After 1-7-97
-2	05209922	1	U, Z						SWITCH, Parking Brake
-3	00154553	1	C						SCREW, Hex Head, .19-16x1
4	00154553	1							NUT AND WASHER, Hex Bracket to Floor M8x125, (NOT SERVICED)
5	00154553	1							BOLT, Tapping Hex Flange Head 0164-18.500, (NOT SERVICED)
6	00154553	1							BRACKET, (Service in Assembly), (NOT SERVICED)
7	00154553	1							SCREW, Qtr A/Rest to Lid Inner Rear .164-18x.500, (NOT SERVICED)



AR = use ase required - = Non illustrated part

**Cables, Parking Brake
Figure 4-147**



ITEM	PART NUMBER	QTY	LINE	SERIES	BODY	ENGINE	TRANS	TRIM	DESCRIPTION
Note:Sales Code DD3 =Manual 5 Speed Note:Sales Code DDF=Manual 5 Speed Note:Sales Code DGL= Manual 5Speed									
1									CABLE, Parking Brake with Auto Trans
	04683285	1	C, Y						
	04721641	1	U, Z						
-2									GROMMET, Cable
	04446981	1							
		1	C, Y						
3	04683286	1							CABLE, Parking Brake
4	04683579	1							CUSHION, Intermediate Cable
5									CABLE, Parking Brake
	04683298	1	Y, Z				52		Right
	04683299	1	Y, Z				52		Left
	04683300	1	Y, Z				53		Right
	04683301	1	Y, Z				53		Left
	04721027	1	C, U				53		Left
	04721028	1	C, U				52		Right
6	04683287	1							EQUALIZER, Parking Brake Cable
7	04683580	1							GROMMET, Parking Brake Cable, Front
8	04683581	1							GROMMET, Parking Brake Cable, Rear
9	03766234	1							CONNECTOR, Intermediate to Rear, Rear
-10									BRACKET, Parking Brake
	04683626	1	Y						Manual Trans
		1	Z						Manual Trans
-11									BRACKET, Brake Cable Guide
	04683667	1	Y						Manual Trans
		1	U, Z						
-12									CLIP, Parking Brake Cable
	04616248	1	U, Z						
		1	Y						
-13	05200384	1	U, Z						SEAL, Parking Brake Cable
14	04683496	2							BRACKET, Parking Brake Cable, Plus use Item 3

AR = use ase required - = Non illustrated part

Group - 5

Service Brakes

Group - 5 Service Brakes

Group-Fig. No.

Illustration Title

Front Brakes

Brakes, Front Fig. 5 - 110

Rear Brakes

Brakes, Rear Drum Fig. 5 - 232

Brakes, Rear Disc Fig. 5 - 240

Power Brake Booster

Booster, Power Brake Fig. 5 - 343

Vacuum System Fig. 5 - 350

Brake Master Cylinder

Master Cylinder Fig. 5 - 416

Anti-Lock Brake Control Fig. 5 - 431

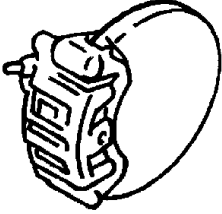
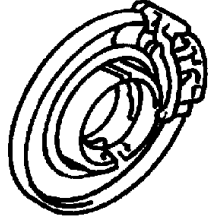
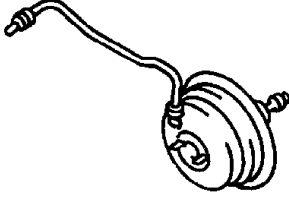
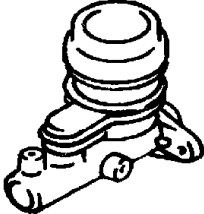
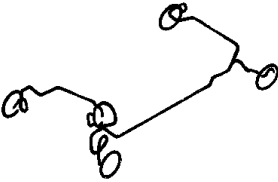

Brake Lines and Hoses

Lines and Hoses Brake (1 of 2) Fig. 5 - 561

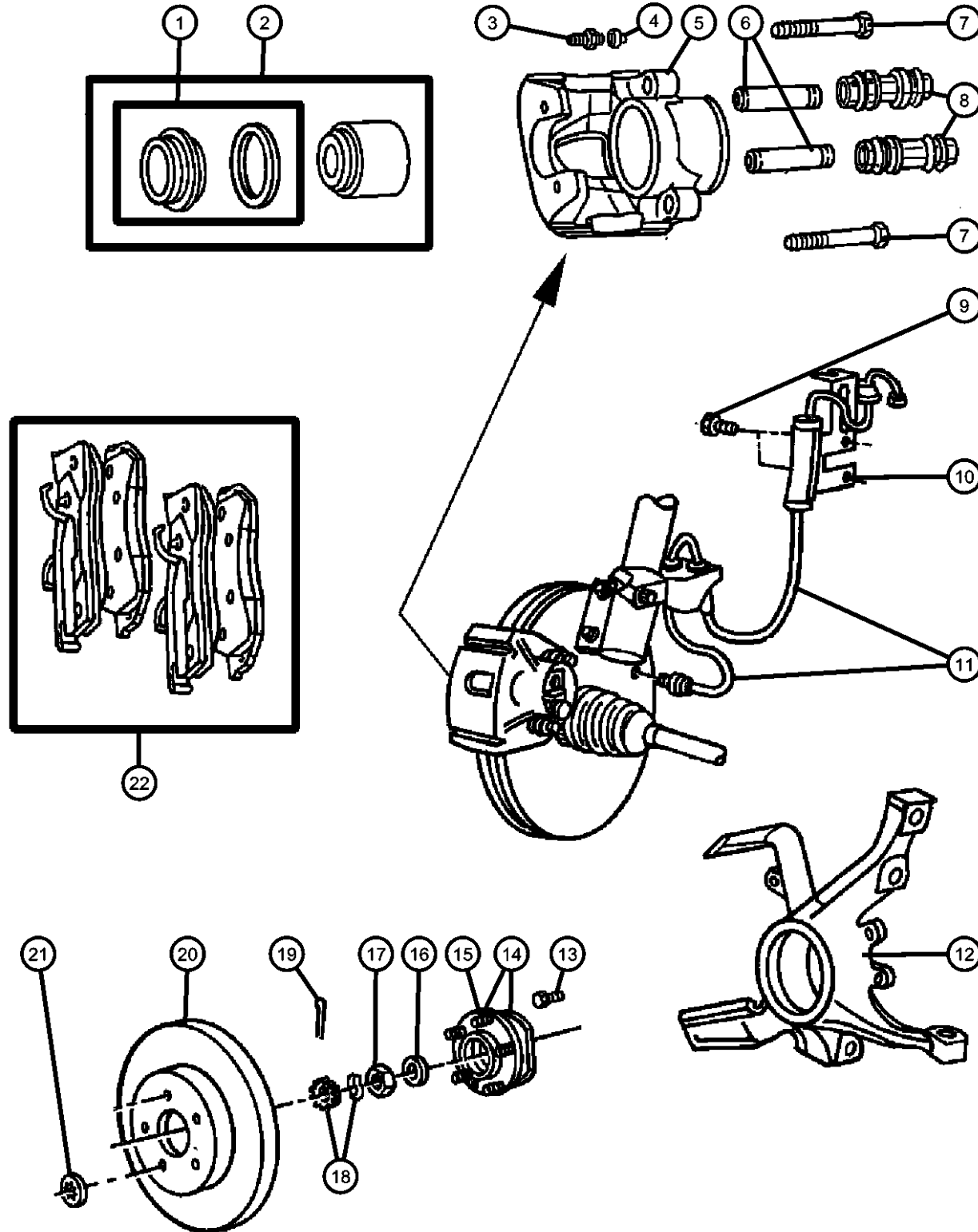
Lines and Hoses, Brake (2 of 2) Fig. 5 - 565

Brake Pedals

Pedal, Brake Fig. 5 - 645

<p>005-100 Front Brakes</p> 	<p>005-200 Rear Brakes</p> 	<p>005-300 Power Brake Booster</p> 	<p>005-400 Brake Master Cylinder</p> 
<p>005-500 Brake Lines and Hoses</p> 	<p>005-600 Brake Pedals</p> 		

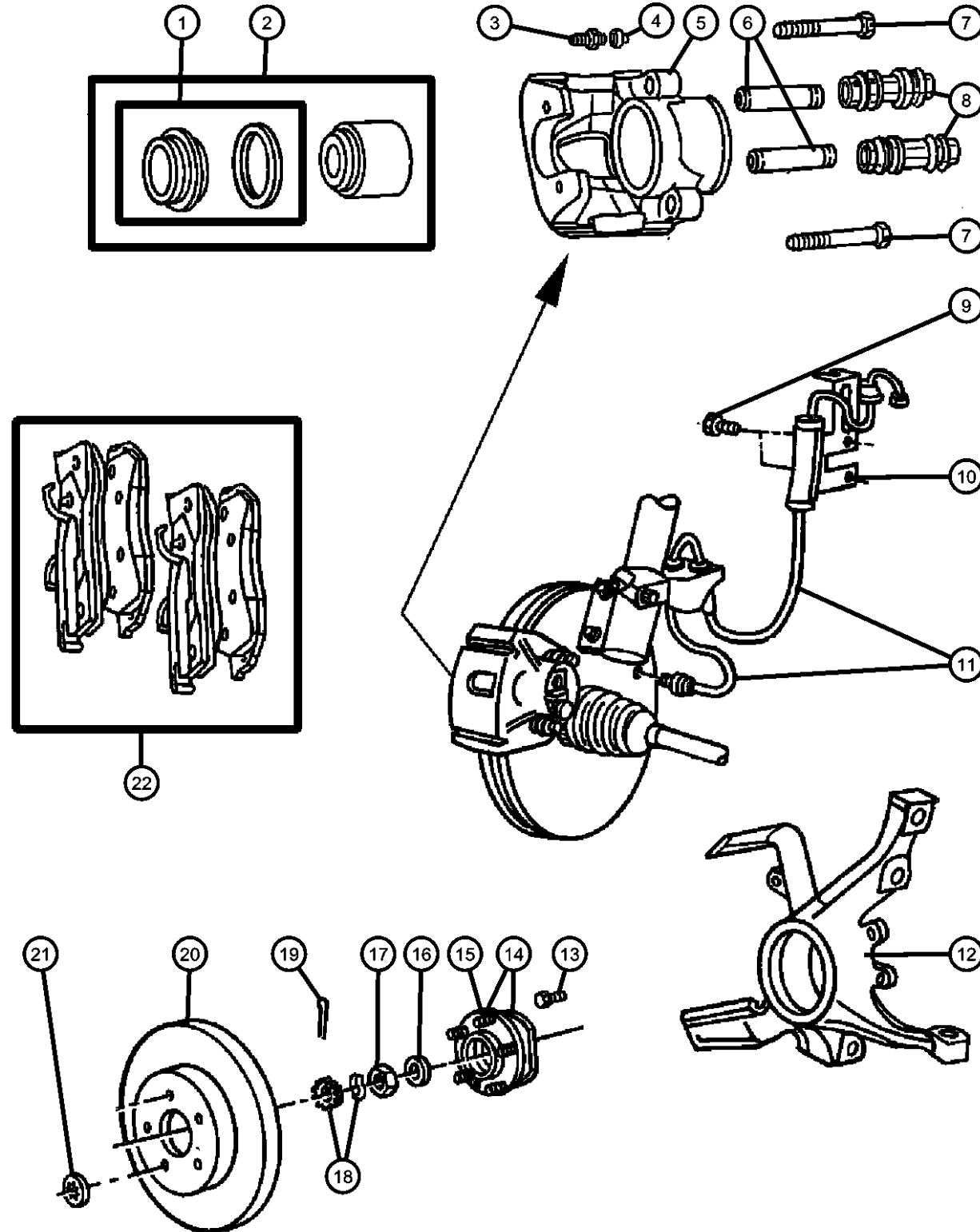
Brakes,Front
Figure 5-110



ITEM	PART NUMBER	QTY	LINE	SERIES	BODY	ENGINE	TRANS	TRIM	DESCRIPTION
Note:Sales Codes: [BRA]=Brakes - Power Front Disc/Rear Drum [BRB]=Brakes - Power Front Disc/Rear Drum [BRE]=Brakes - 4-Wheel Disc Brakes [BRV]=Brakes - Power Front Disc/Rear Drum									
1	04364781	1							BOOT AND SEAL, Disc Brake
2	05086166AA	1							PISTON PACKAGE, Disc Brake
3	03780788	1							SCREW, Bleeder
4	04238717	1							CAP, Bleeder
5									CALIPER, Disc Brake
	05010032AA	1							Includes 2,3,4,6,8, Right
	05010033AA	1							Includes 2,3,4,6,8, Left
6	04423573	2							SLEEVE, Disc Brake Caliper
7	06502527	4							BOLT, Hex Flange Head, M8-1.25x68.50, Disc Brake Caliper, Mounting
8	04383471	2							BUSHING, Disc Brake Caliper
9	06035488	4					Y		SCREW, Hex Flange Head Tapping, .25-14x.875, ABS Sensor, Mounting
10									BRACKET, Brake Sensor
	04797646	1							Right
	04797647	1							Left
11									SENSOR, Anti-Lock Brakes
	04683470	1							Right
	04683471	1							Left
12	04683471	1							KNUCKLE, Front, See Group 2, (NOT SERVICED)
13	06101056	4							SCREW AND WASHER, Hex Head, M10x1.5x50, Hub and Bearing to Knuckle, Mounting HUB AND BEARING, Brake
14	04641517	1							Mopar V-Line Alternative Part
	V2501517AA								
15	06502311	5							STUD, Hub
16	06503352	2							WASHER, Flat, M23x38.0x405
17	06500298	2							NUT, Hub, M22x1.5
18	04293167	2							NUT AND WASHER PACKAGE
19	06500336	2							PIN, Cotter, M5x36.00
20	04721820	2							ROTOR, Brake
	V5011820AB								Mopar V-Line Alternative Brake Rotors
	V5011820								Mopar V-Line Alternative Part
21	04721820	2							NUT, Rotor Retainer, (NOT SERVICED)
22	04882107	1							PAD KIT, Front Disc Brake
	VOE14259								Make It Original Brake Kit

AR = use ase required - = Non illustrated part

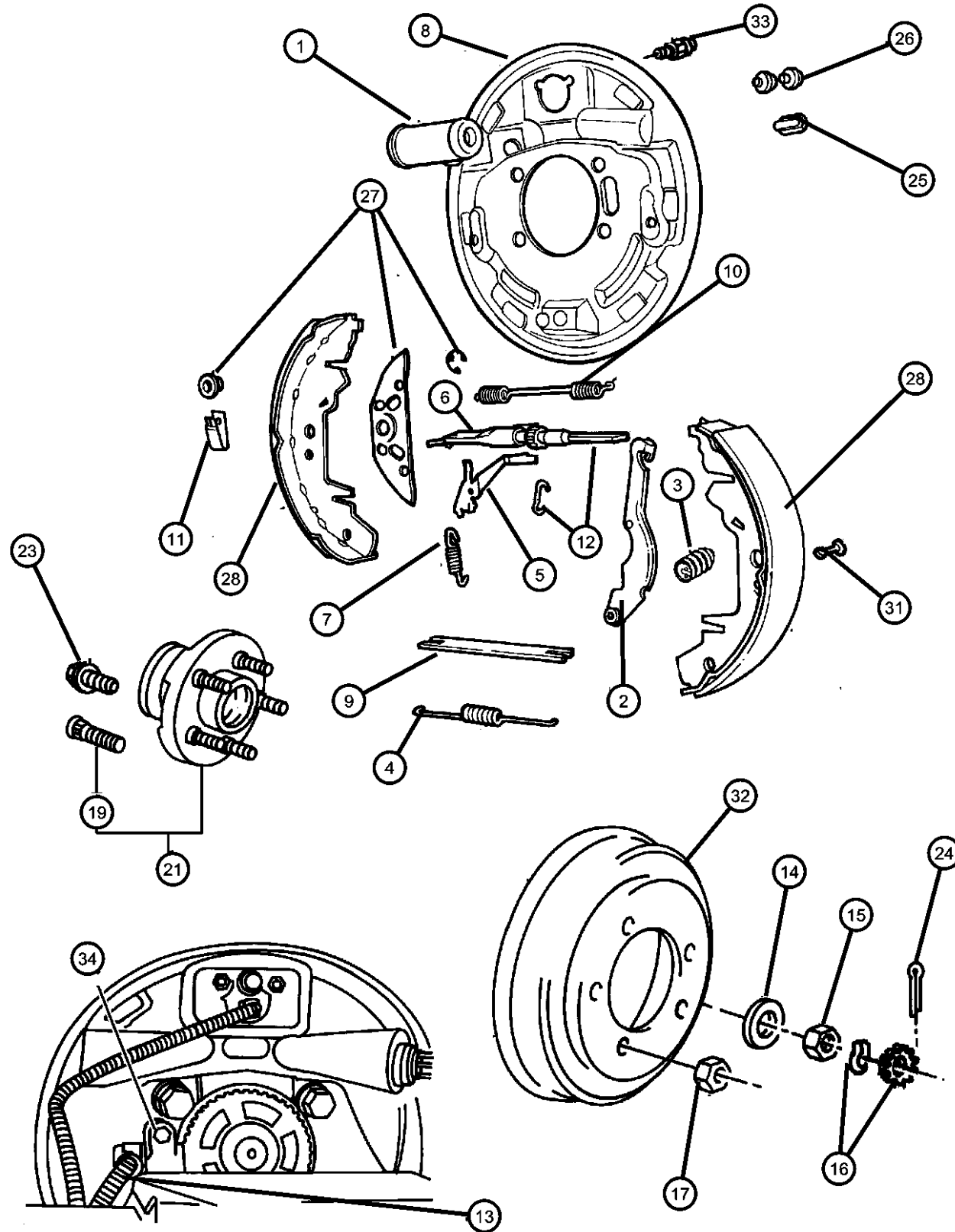
Brakes,Front
Figure 5-110



ITEM	PART NUMBER	QTY	LINE	SERIES	BODY	ENGINE	TRANS	TRIM	DESCRIPTION
	VOE15107								Make It Original Brake Kit
	VCNS1520								Make It Ceramic Brake Kit
	BHKH5593								Mopar V-Line Alternative Part Disc Hardware
	BHKH5066								Mopar V-Line Alternative Part Caliper Bolts
	V3013107								Mopar V-Line Alternative Part Ceramic
	V1013107AD								Mopar V-Line Alternative Part
	VNS15107AC								Make It New Brake Kits

AR = use ase required - = Non illustrated part

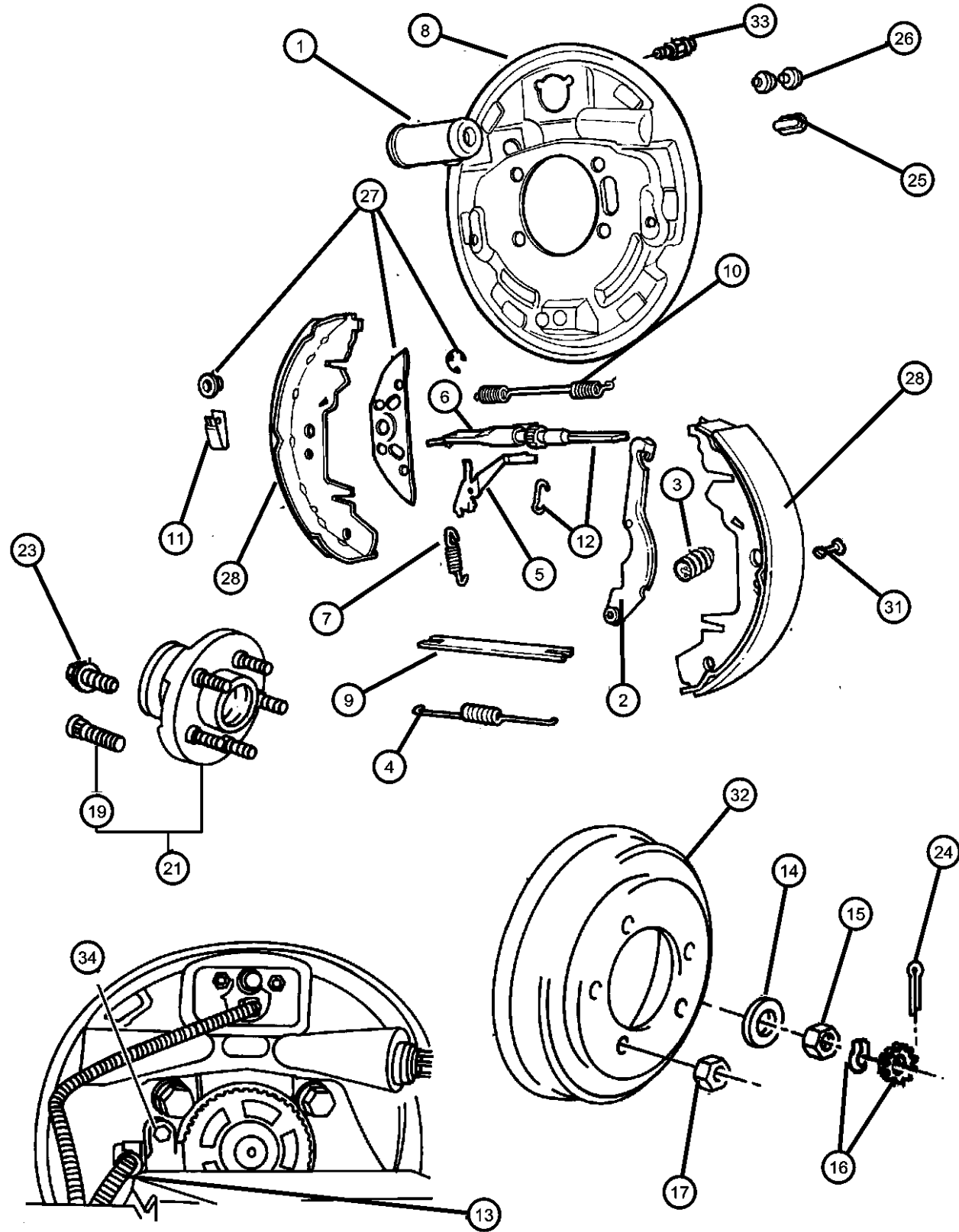
Brakes, Rear Drum
Figure 5-232



ITEM	PART NUMBER	QTY	LINE	SERIES	BODY	ENGINE	TRANS	TRIM	DESCRIPTION
NOTE: Sales Code BRV= DISC/DRUM Heavy Duty (15')									
NOTE: Sales Code W50= 15' Wheel Covers									
1	04883830AA V2103236AA	1	Y						CYLINDER, Wheel Mopar V-Line Alternative Part Wheel Cylinder
2									LEVER, Park Brake Right
	04856302	1	Y						Left
	04856303	1	Y						
3	04864499	1	Y						SPRING, Brake Shoe Hold Down
4	04797664	1	Y						SPRING, Brake Shoe Anchor
5									LEVER, Park Brake Adjusting Right
	04797660	1	Y						Left
	04797661	1	Y						
6	04797668	1	Y						SOCKET, Self Adjuster
7	04797663	1	Y						SPRING, Brake Auto Adjuster Lever
8									SUPPORT, Brake Right
	04798456	1	Y						Left
	04798457	1	Y						
9									STRUT, Parking Brake Right
	04798458	1	Y						Left
	04798459	1	Y						
10	04797662	1	Y						SPRING, Brake Shoe Return
11	04383543	1							CLIP, Brake Shoe Hold Down
12									ADJUSTER, Brake Shoe, with Clip Right
	04797666	1	Y						Left
	04797667	1	Y						
13									SENSOR, Anti-Lock Brakes Right
	04721040	1	Y, Z						Left
	04721041	1	Y, Z						
14	06503352	2	Y, Z						WASHER, Flat, M23x38.0x405
15	06500298	2	Y, Z						NUT, Hub, M22x1.5
16	04293167	2	Y, Z						NUT AND WASHER PACKAGE, Front Hub
17	06500526	20							NUT, Wheel, M12x1.5, Standard
-18	06502738	20							NUT, Wheel Chrome, M12x1.5
19	06503835	10	Y, Z						STUD, Wheel, M12-1.50x45
-20	04238717	1							CAP, Bleeder
21									HUB AND BEARING, Brake 04641525 2 C 04721515 2 Y, Z
-22	04683472	2	Y, Z						SENSOR RING, Rear Wheel

AR = use ase required - = Non illustrated part

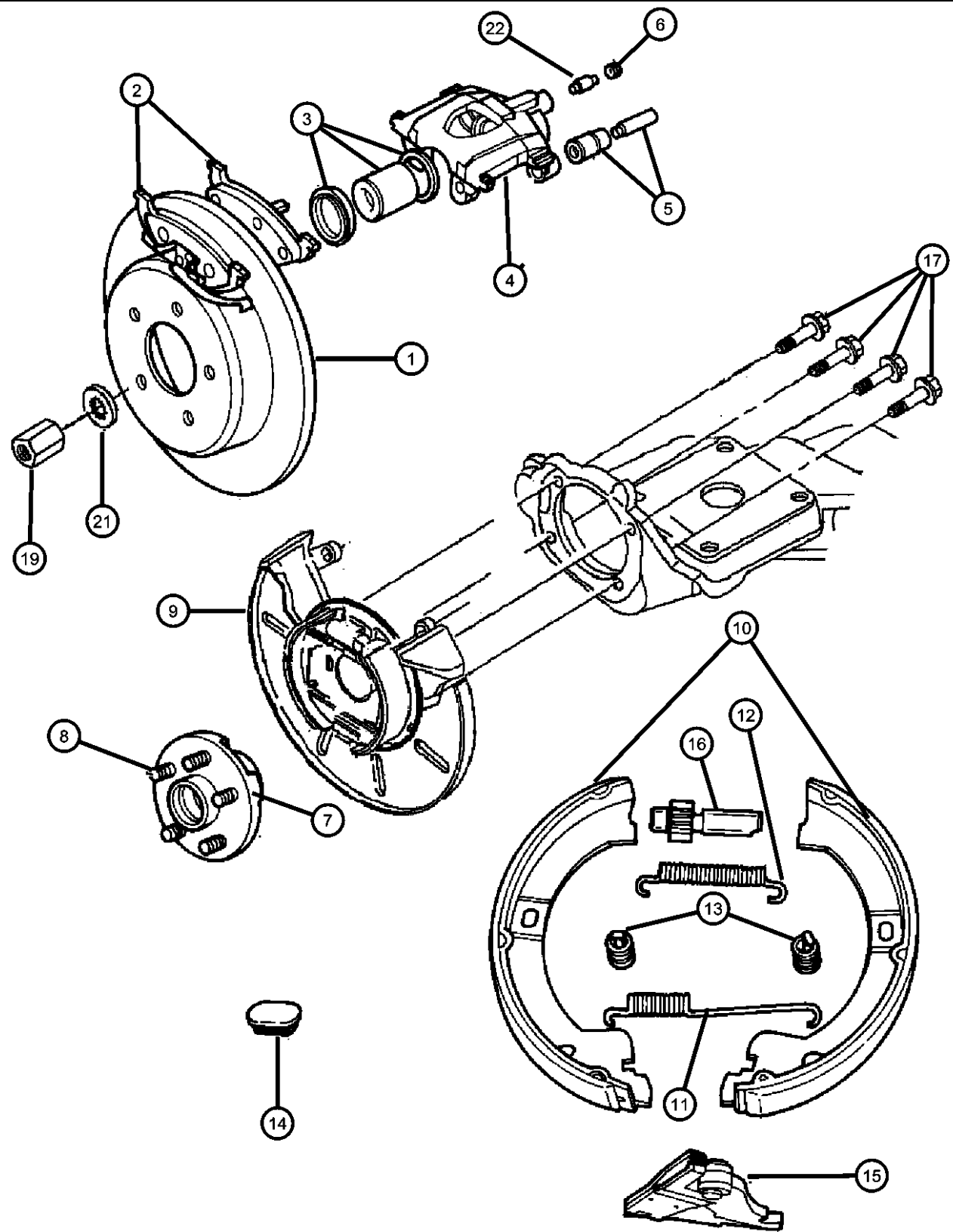
Brakes, Rear Drum
Figure 5-232



ITEM	PART NUMBER	QTY	LINE	SERIES	BODY	ENGINE	TRANS	TRIM	DESCRIPTION
23	06504450	8							SCREW AND WASHER, Hex Head, .312-18x1.00
24	06500336	2	Y, Z						PIN, Cotter, M5x36.00
25	04238721	1							PLUG, Brake Adjusting Hole
26	04423678	1	Y						BOLT, Wheel Cylinder
27	04864218	1	Y						LEVER KIT, Rear Wheel Brake Adjust Pivot
28	04883833AA	1	Y						SHOE AND LINING KIT, Drum
	BHKH7296								Mopar V-Line Alternative Part All In One Drum Combi Kits
	BHKH2664								Mopar V-Line Alternative Part Drum Self Adjuster Kit Left
	BHKH2665								Mopar V-Line Alternative Part Drum Self Adjuster Kit
	V2013059AC								Mopar V-Line Alternative Part Wheel Cylinder
	V2103236AA								Mopar V-Line Alternative Part Wheel Cylinder
-29	05252631	1	Y						PISTON KIT, Rear Brake
-30	04238730	1							SPRING, Brake Shoe Return, Orange
31	04238733	1							PIN, Brake Shoe Hold Down
32	04877433	2	Y, Z						DRUM, Brake
33	03766674	1	Y, Z						SCREW, Bleeder
34	06504736	2							SCREW AND WASHER, Hex Head, Rear Sensor Attach

AR = use ase required - = Non illustrated part

Brakes, Rear Disc
Figure 5-240

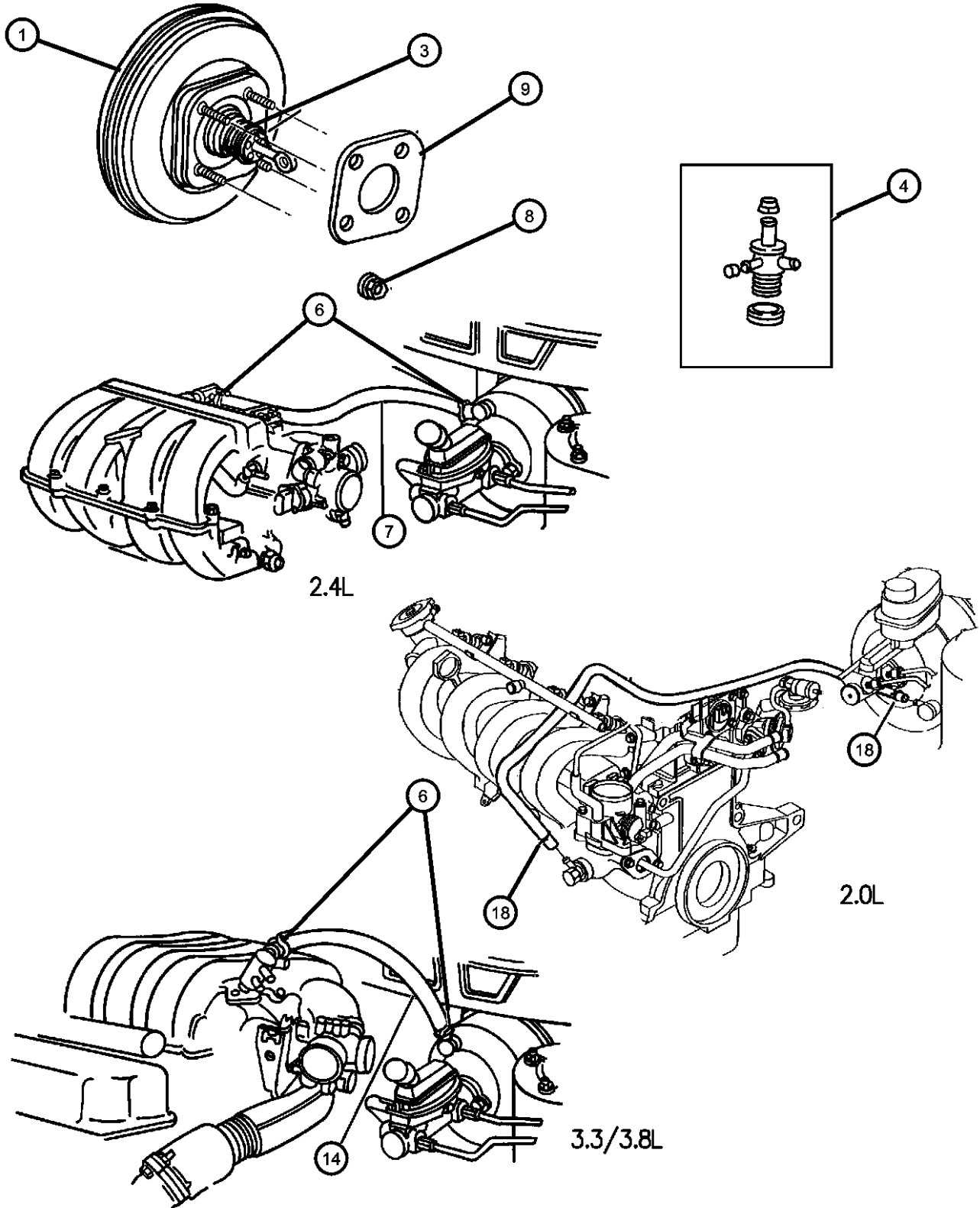


ITEM	PART NUMBER	QTY	LINE	SERIES	BODY	ENGINE	TRANS	TRIM	DESCRIPTION
1	04721023 V5011023AB	2	C, U						ROTOR, Brake Mopar V-Line Alternative Brake Rotors
2	04882579 V2014036AB V4010751 VRNS4036AC	2	C						PAD KIT, Rear Disc Brake Mopar V-Line Alternative Part Mopar V-Line Alternative Part Ceramic Make It New Brake Kits
3	04882581	1	Y						PISTON, Brake
4	05003891AA	2	C						CALIPER, Disc Brake
5	04882582	1	Y						PIN KIT, Disc Brake
6	04238717	1							CAP, Bleeder
7	04641525	2	C						HUB AND BEARING, Brake
8	06502311	10	C, U						BOLT, Hex Head, M12x1.50x46.88
9									ADAPTER, Disc Brake
	04882514	1	Y						Right
	04882515	1	Y						Left
10	04882576 BHKP7323	1	Y						SHOE AND LINING, Parking Brake Mopar Parking Brake Hardware Kit
11	04882572	2	C						SPRING, Parking Brake Lever
12	04882573	1	Y						SPRING, Brake Shoe Return
13	04882571	2	C						SPRING, Brake Shoe Hold Down
14	04238721	1							PLUG, Brake Adjusting Hole
15	04882584	1	Y						LEVER, Park Brake
16	04882583	1	Y						ADJUSTER, Wheel Brake
17	06504450	8							SCREW AND WASHER, Hex Head, .312-18x1.00
-18	04238733	1							PIN, Brake Shoe Hold Down
19	06500526	20							NUT, Wheel, M12x1.5, Standard
-20	06502738	20							NUT, Wheel Chrome, M12x1.5
21	06502738	20							NUT, Spring Push Round with Teeth for M12 Stud, (NOT SERVICED)
22	03780788	1	Y						SCREW, Bleeder
-23									SENSOR, Anti-Lock Brakes
	04683468	1	C						Right
	04683469	1	C						Left
	04721040	1	Y, Z						Right
	04721041	1	Y, Z						Left
-24	06504736	2							SCREW AND WASHER, Hex Head, Rear Sensor
-25									SHIELD, Brake
	04728110	1							Right
	04728111	1							Left

AR = use ase required - = Non illustrated part

Booster, Power Brake

Figure 5-343



ITEM	PART NUMBER	QTY	LINE	SERIES	BODY	ENGINE	TRANS	TRIM	DESCRIPTION
------	-------------	-----	------	--------	------	--------	-------	------	-------------

Note:Sales Code DD3=Manual 5-Speed
 Note:Sales Code DDF=Manual 5-Speed
 Note:Sales Code DGL=Automatic 4-Speed
 Note:Sales Code ECB=2.0L 4-CYL SOHC
 Note:Sales Code EDZ= 2.4L 4-CYL Turo Diesel
 Note:Sales Code EGA=3.3L V6

1									BOOSTER, Power Brake
	04721342AB	1	U, Z						
	04721365	1	C, Y						
-2	06101445	4							NUT AND WASHER, Hex Nut-Coned Washer, M8 x 1.25
3	04294158	1	Y, Z						BOOT AND SEAL, Disc Brake
4	04796355	1	C, Y						VALVE, Brake Booster Check
-5	04723640	1	C, Y						GROMMET, Brake Booster Check Valve
6	02448761	2							CLAMP, Hose
7	04683270	1	Y						HOSE, Brake Booster Vacuum
8	06101445	6							NUT AND WASHER, Hex Nut-Coned Washer, M8 x 1.25
9	04762599	1	C, Y						GASKET, Booster To Dash, Use with 4721365 Booster
-10	06502524	2							NUT, Hex Lock, M8x1.25
-11	04306550	1							CONNECTOR, Manifold Vacuum
-12									CAP, Brake Check Valve
	03580171	1							EDZ
		1	C, Y						ECB
		1	Z						ECB
-13									BRACKET, Brake Booster Mount and Torq Tube Support
	04683592	1	U, Z						Bracket to Side Rail
	04716582	1	U, Z						HOSE, Brake Booster
14	04683269	1	C, Y						HOSE, Intake Manifold/Booster
-15	04683598	1	U, Z						HOSE, Intake Manifold/Booster
-16	04683597	1	Z						HOSE, Brake Booster Vacuum
-17	04683659	1	Y						CLAMP, Hose
18	02448761	1							COVER, Brake Torque Tube
-19	04683737	1	Z						

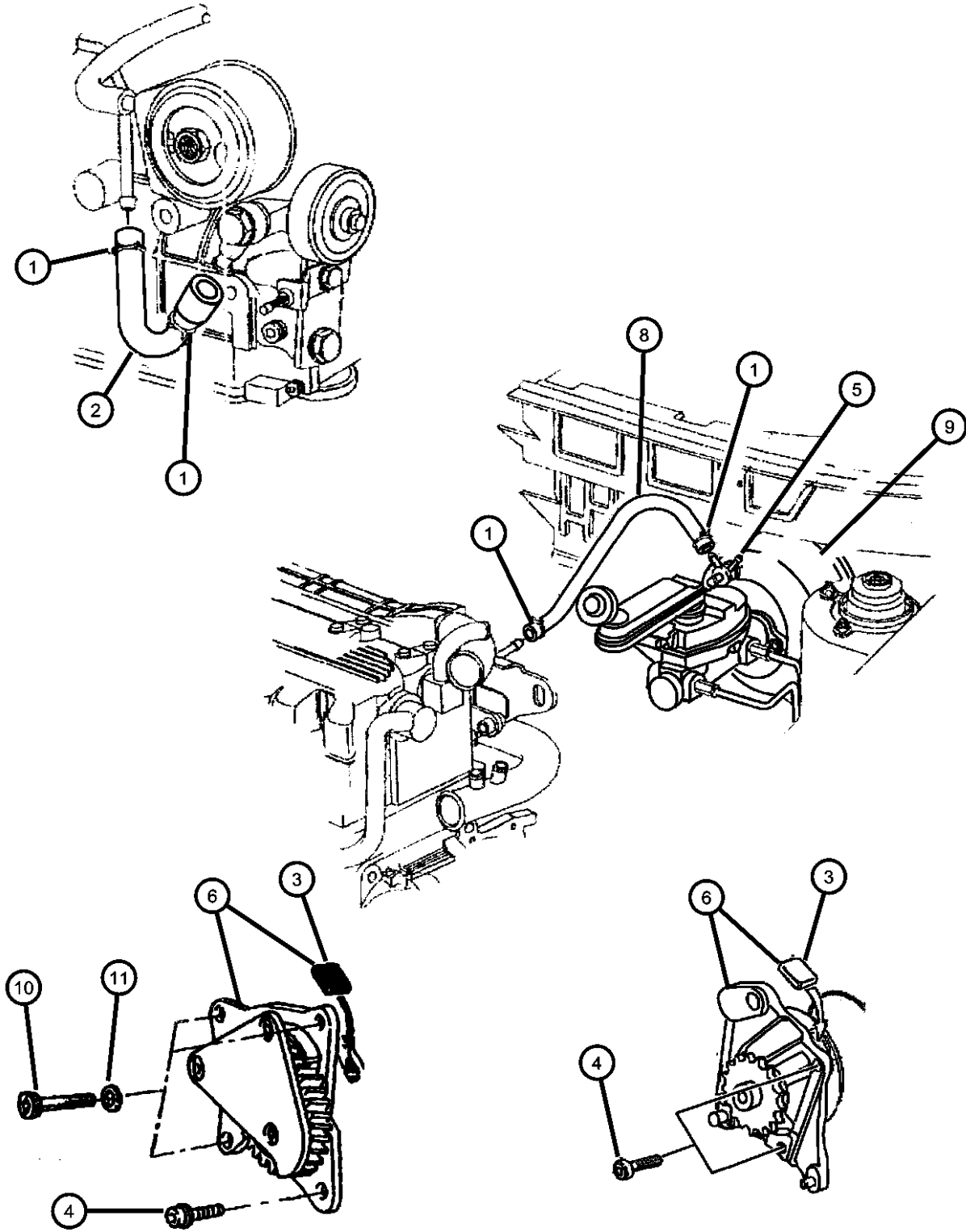
AR = use ase required - = Non illustrated part

Vacuum System
Figure 5-350

ITEM	PART NUMBER	QTY	LINE	SERIES	BODY	ENGINE	TRANS	TRIM	DESCRIPTION
------	-------------	-----	------	--------	------	--------	-------	------	-------------

Note: Sales Code ENC=2.5L 4-CYL Turbo Diesel

1	04683666	1							CLAMP, Vacuum Pump to Vacuum Hose
2	04683583AB	1	Y						HOSE, Brake Vacuum
3	04863792	3							INSERT, Vacuum Pump Rotor
4	04728186	2							BOLT
5	04796355	1	Y						VALVE, Brake Booster Check
6	04882591	1							PUMP, Vacuum
-7	04694843	1							BRACKET, Power Steering Hose
8	04683272	1	Y						HOSE, Brake Booster Vacuum
9	04721364	1	Y						BOOSTER, Power Brake
10	04721364	1							BOLT, Hex Head, M8x20, (NOT REQUIRED)
11	04721364	1							WASHER, Tube Bolt, (NOT REQUIRED)

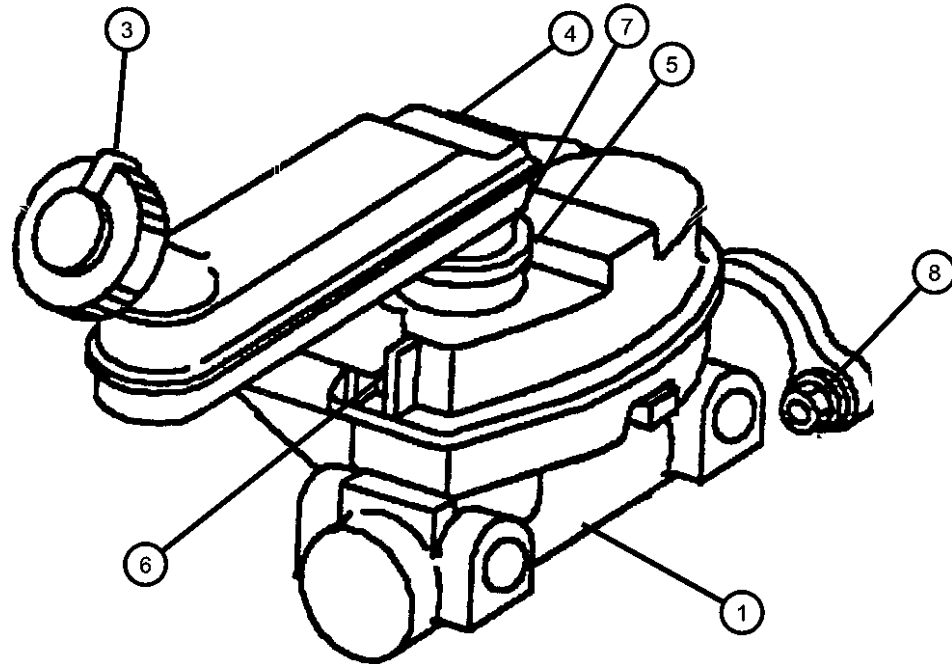


AR = use ase required - = Non illustrated part

**Master Cylinder
Figure 5-416**

ITEM	PART NUMBER	QTY	LINE	SERIES	BODY	ENGINE	TRANS	TRIM	DESCRIPTION
------	-------------	-----	------	--------	------	--------	-------	------	-------------

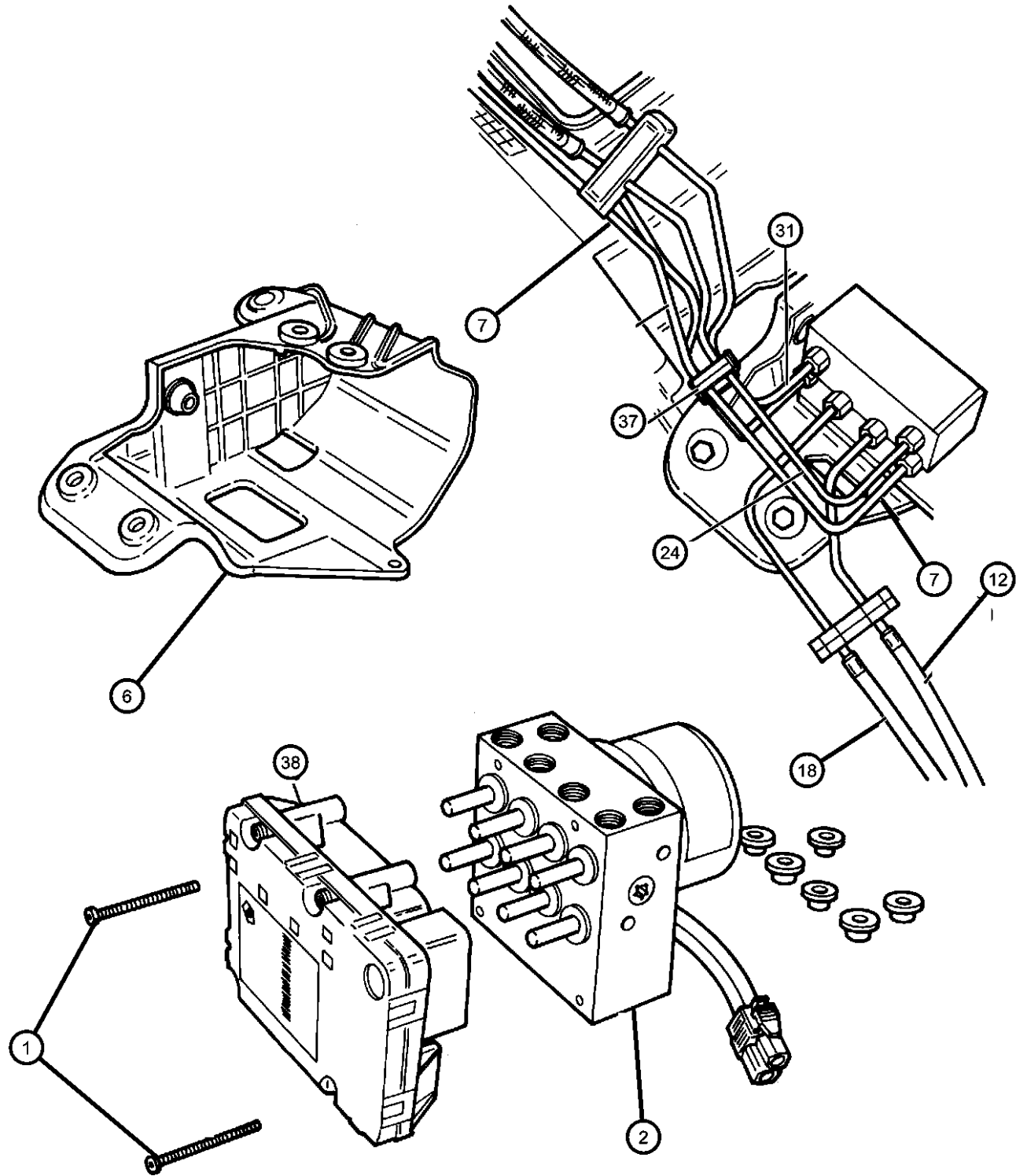
NOTE: Sales Code BRV= Disc/Drum Heavy Duty (15")
NOTE: Sales Code BRE= Disc/Disc (15")



1	04683264 R4683264 V1103264AA	1	C, Y						MASTER CYLINDER, Brake w/o Traction Control Mopar Remanufactured Part Mopar Alternative Part - Master Cylinder
	04721321 R4721321 V1101321AA	1	Y						w/Traction Control Mopar Remanufactured Part Mopar Alternative Part - Master Cylinder
	04897095AA	1	U, Z						
-2	04723395	1	C, Y						GASKET, Brake Master Cylinder
3	04683656	1	Y						CAP, Master Cylinder Reservoir
		1	U, Z						
4	04797630	1	Y						RESERVOIR, Brake Master Cylinder with ABS with Traction Control
		1	U, Z						with ABS with Traction Control
	04797656	1	C, Y						with or with out ABS with out Traction Control
5	04797631	1	Y						GROMMET, Master Cylinder Reservoir
6	04723394	1	Y						PIN, Master Cylinder Reservoir
7	04683482	1	C, Y						TUBE, Brake Fluid Filler
8	06502524	2							NUT, Hex Lock, M8x1.25
-9	04797655	1	C, Y						SWITCH, Brake Fluid Level
-10	04897587AA	1	Y						PISTON, Brake Master Cylinder

AR = use ase required - = Non illustrated part

**Anti-Lock Brake Control
Figure 5-431**



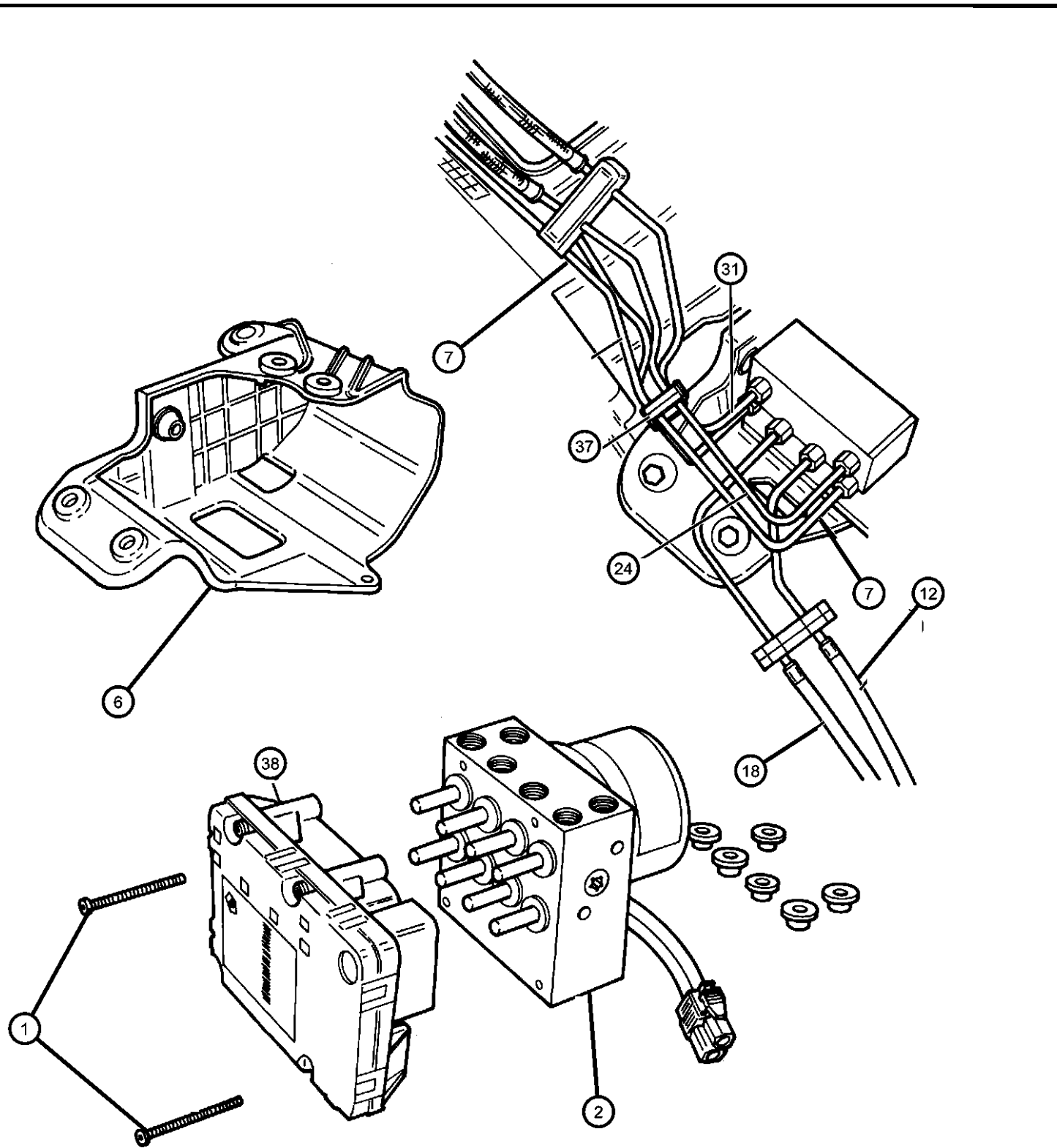
ITEM	PART NUMBER	QTY	LINE	SERIES	BODY	ENGINE	TRANS	TRIM	DESCRIPTION
------	-------------	-----	------	--------	------	--------	-------	------	-------------

NOTE: For Tube Routing it's Stamp on HCU, Bracket, ECU

1	06504115	1							SCREW AND WASHER, Head Head Lock, M8-1.25x30.00, HCU Mount
2									HYDRAULIC CONTROL UNIT, Anti-Lock Brake System
	04882646	1							w/o ECU, w/o Traction Control
	04882647	1	Y						w/o ECU, w/Traction Control
-3	06101445	2							NUT AND WASHER, Hex Nut-Coned Washer, M8 x 1.25, ABS Module Mount
-4	04683541	2							CLIP, Tube
-5	04882651	1	Y						BOLT, Hydraulic Control Unit, Package
6	04882650	1	Y						BRACKET, Anti-Lock Control Unit, Package
7	01843251	1							TUBE, Steel, .187 25 Foot Roll
-8	06503135	1							NUT, Tube, M10 x 1.00, Right
-9	06034880	1							NUT, Hex, .375-24x.85, Right
-10	06503136	1							NUT, Tube, M12 x 1.00, Left
-11	06034881	1				53			NUT, Inverted Flare, .375-24, Left
12	04683694	1				52			TUBE, Brake, Junction Block to Valve Right
-13	06503135	1				52			NUT, Tube, M10 x 1.00
-14	06034880	1							NUT, Hex, .375-24x.85
-15	04683696	1				53			TUBE, Junction Block to Valve, Right with or w/o Traction Control
-16	06503135	1				53			NUT, Tube, M10 x 1.00
-17	06034880	1				53			NUT, Hex, .375-24x.85
18	04683695	1				52			TUBE, Valve to Frame, Junction Block to Valve Left
-19	06503136	1				52			NUT, Tube, M12 x 1.00
-20	06034881	1				53			NUT, Inverted Flare, .375-24, Also 52
-21	04683697	1				53			TUBE, Junction Block to Valve, Left with or w/o Traction Control
-22	06503136	1				53			NUT, Tube, M12 x 1.00
-23	06034881	1				53			NUT, Inverted Flare, .375-24
24	04683674	1	C, Y						TUBE, Brake Master Cylinder, to Brake Valve Secondary w/o Traction Control
-25	06503136	1	C, Y						NUT, Tube, M12 x 1.00
-26	06034881	1	C, Y						NUT, Inverted Flare, .375-24
-27	04683690	1	Y						TUBE, Brake Master Cylinder, w/Traction Control
-28	04721537	1	U, Z						TUBE, Master Cyl to Prop Valve, w/o Traction Control
-29	06503135	2	U, Z						NUT, Tube, M10 x 1.00
-30	06503136	1	U, Z						NUT, Tube, M12 x 1.00

AR = use ase required - = Non illustrated part

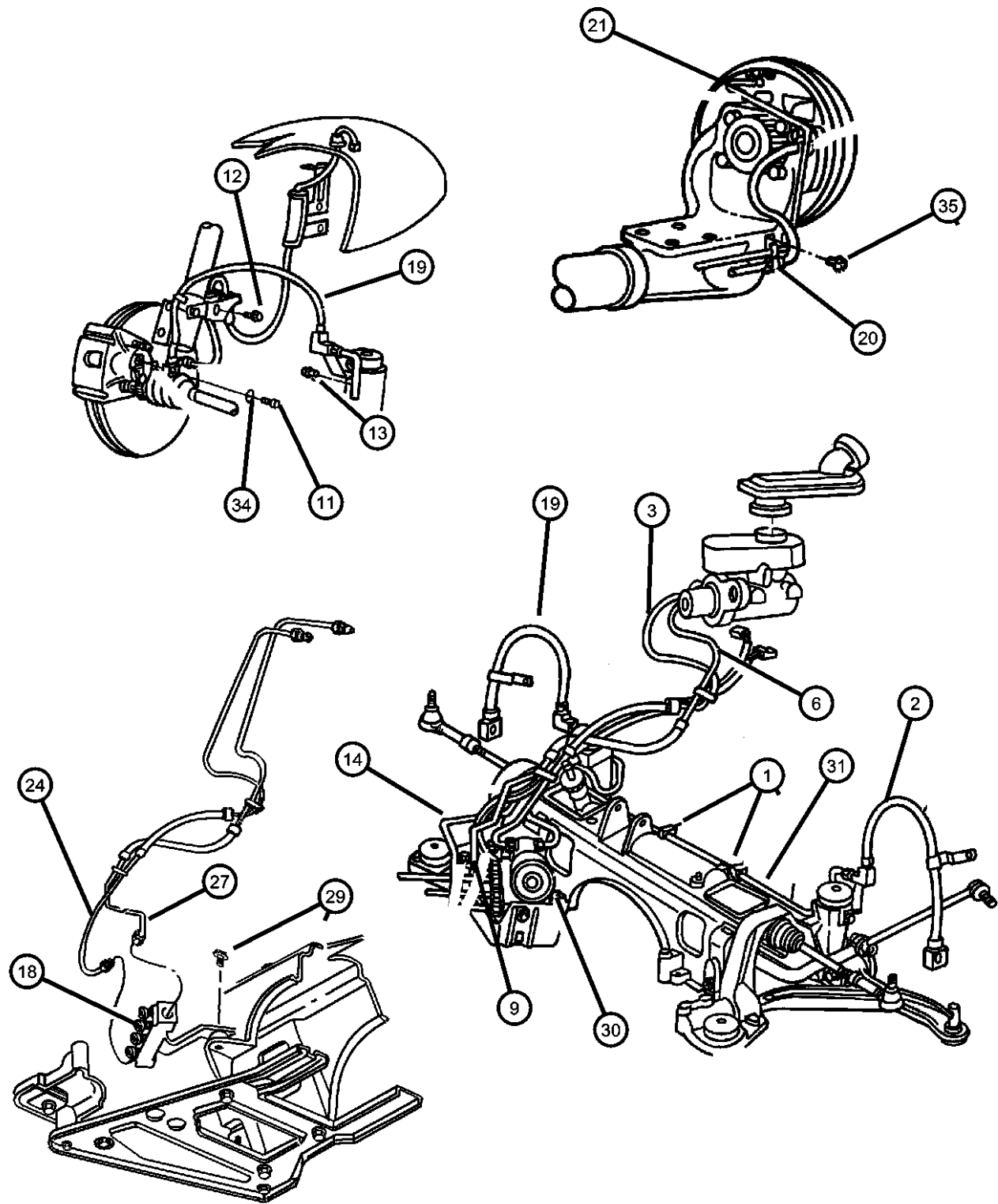
**Anti-Lock Brake Control
Figure 5-431**



ITEM	PART NUMBER	QTY	LINE	SERIES	BODY	ENGINE	TRANS	TRIM	DESCRIPTION
31	04683675	1	C, Y						TUBE, Brake Master Cylinder, Brake Valve Primary with out Traction Control
-32	06503135	1	C, Y						NUT, Tube, M10 x 1.00
-33	06034880	1							NUT, Hex, .375-24x.85
-34	04683691	1	Y						TUBE, Master Cyl to Prop Valve, Primary with Traction Control
-35	04721536	1	U, Z						TUBE, Master Cyl to Prop Valve, Primary with out Traction Control
-36	06503135	2	U, Z						NUT, Tube, M10 x 1.00
37	04683736	1							RETAINER, Master Cylinder Piston
38									CONTROL UNIT, Anti-Lock Brake
	04882648	1							with out HCU with out Traction Control
	04882649	1	Y						with out HCU with Traction Control

AR = use ase required - = Non illustrated part

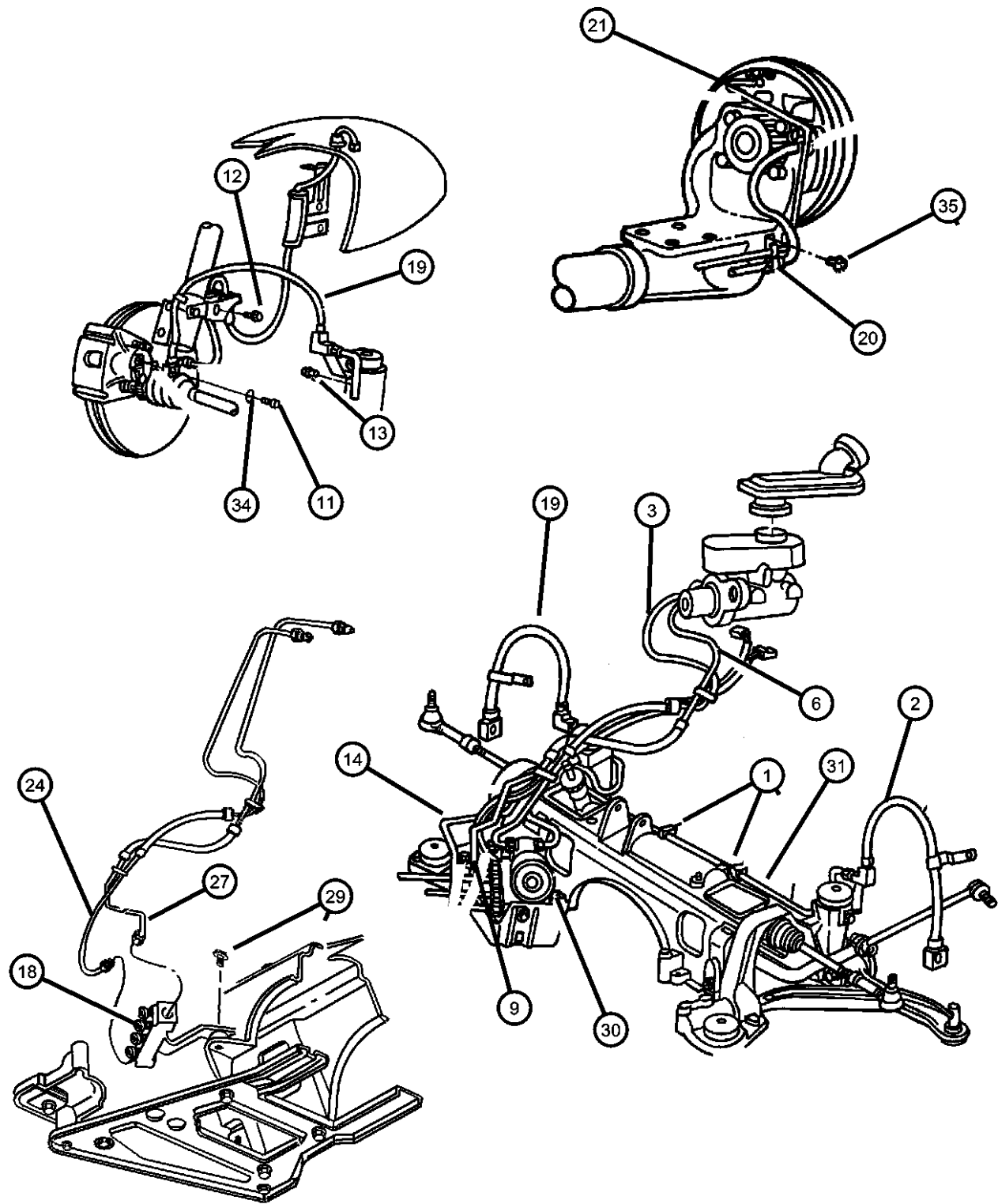
Lines and Hoses Brake (1 of 2)
Figure 5-561



ITEM	PART NUMBER	QTY	LINE	SERIES	BODY	ENGINE	TRANS	TRIM	DESCRIPTION
Note:Sales Code DGL=Automatic 4-Speed									
Note:Sales Code EGA=3.3L V6									
1	04683449	1							CLIP, Tube
2	04797620	1							HOSE, Brake, Right
3	04683674	1	C, Y						TUBE, Brake Master Cylinder
-4	06503136	1							NUT, Tube, M12 x 1.00
-5	06034881	1	C, Y						NUT, Inverted Flare, .375-24
6	04683675	1	C, Y						TUBE, Brake Master Cylinder with ABS with out Traction Control
	04683690	1	Y						
-7	04683691	1	Y						TUBE, Master Cyl to Prop Valve
-8	06503135	1							NUT, Tube, M10 x 1.00
9	04721536	1	Z						TUBE, Master Cyl to Prop Valve Primary
	04721537	1	Z						Secondary
-10	06035098	2							BOLT, Hex Head, .437-20x.937
11	06100557	2							BOLT AND CONED WASHER, Hex Head, M6x20x14
12	06035488	4							SCREW, Hex Flange Head Tapping, .25-14x.875
13	06503543	2							BOLT AND CONED WASHER, Hex Head, M8x1.25x25
14	01843251	1							TUBE, Steel, .187 25 Foot Roll
-15	06503136	1							NUT, Tube, M12 x 1.00
-16	06034881	1	C						NUT, Inverted Flare, .375-24
-17	06034880	1							NUT, Hex, .375-24x.85
18	04683450	1	Y						JUNCTION BLOCK, Brake Tube
19	04797621	1							HOSE, Brake, Left
20	02207919	2							CLIP, Parking Brake Cable, Rear Axle Brake Tube
21	04683380	1	Y, Z						TUBE, Brake, Rear Axle
-22	06034880	2	Y, Z						NUT, Hex, .375-24x.85, Inverted Flare
-23	06034881	2	Y, Z						NUT, Inverted Flare, .375-24, Inverted Flare
24	04683310AB	1	Y						TUBE, Brake Master Cylinder, Primary with out ABS
-25	06503135	1							NUT, Tube, M10 x 1.00
-26	06034881	1	C						NUT, Inverted Flare, .375-24
27	04683309AB	1	Y						TUBE, Brake Master Cylinder
-28	06503135	1							NUT, Tube, M10 x 1.00
29	06503543	2							BOLT AND CONED WASHER, Hex Head, M8x1.25x25
30	06504115	2							SCREW AND WASHER, Head Head Lock, M8-1.25x30.00
31	01843251	1							TUBE, Steel, .187 25 Foot Roll

AR = use ase required - = Non illustrated part

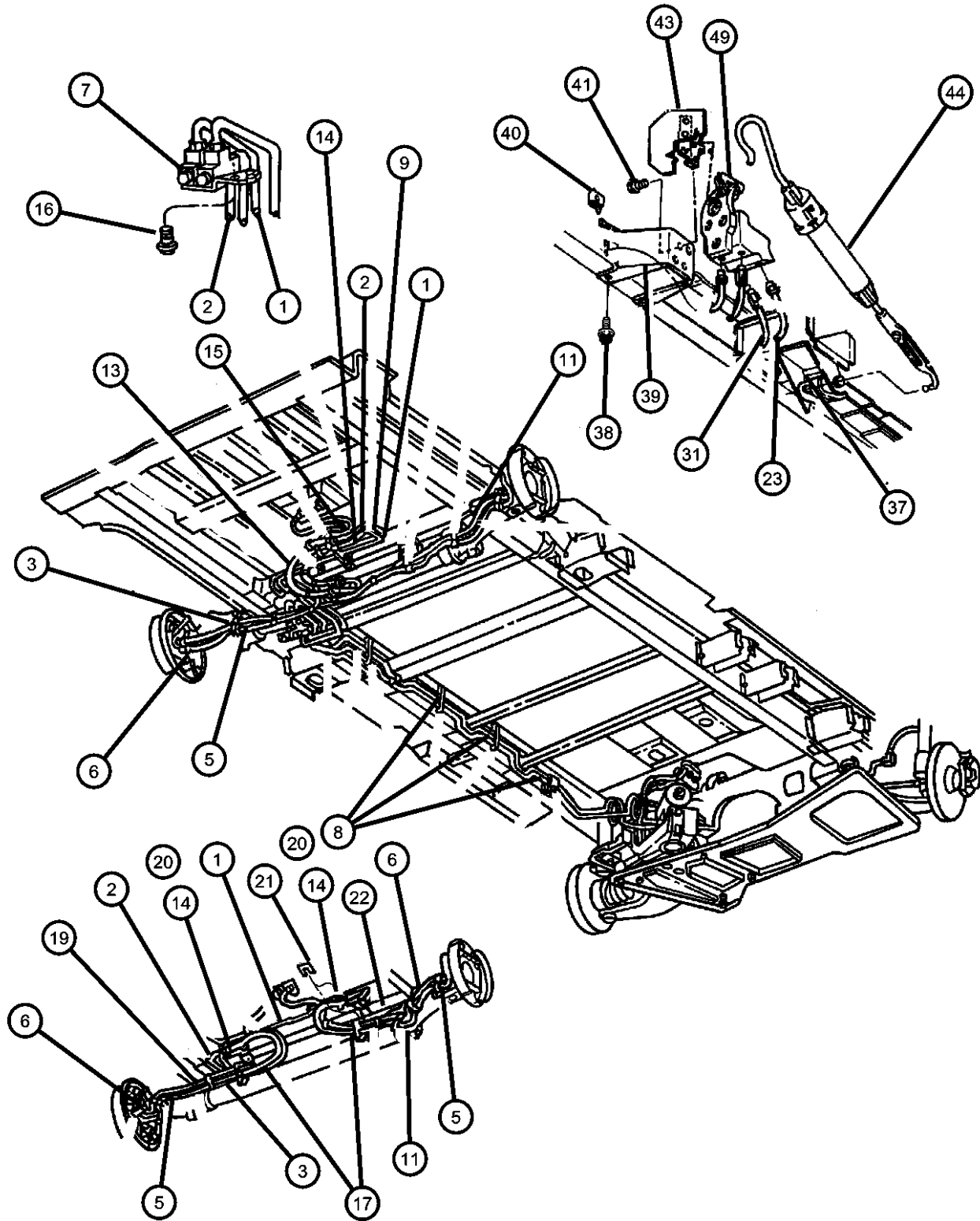
Lines and Hoses Brake (1 of 2)
Figure 5-561



ITEM	PART NUMBER	QTY	LINE	SERIES	BODY	ENGINE	TRANS	TRIM	DESCRIPTION
-32	06503136	1							NUT, Tube, M12 x 1.00
-33	06034881	1	C						NUT, Inverted Flare, .375-24
34	06035727	4							WASHER
35	06100293	4							BOLT AND CONED WASHER, Hex Head, M8x14x17
-36	04582074	1							CLIP, Tube, Brake and Wiring with out ABS (Front)

AR = use ase required - = Non illustrated part

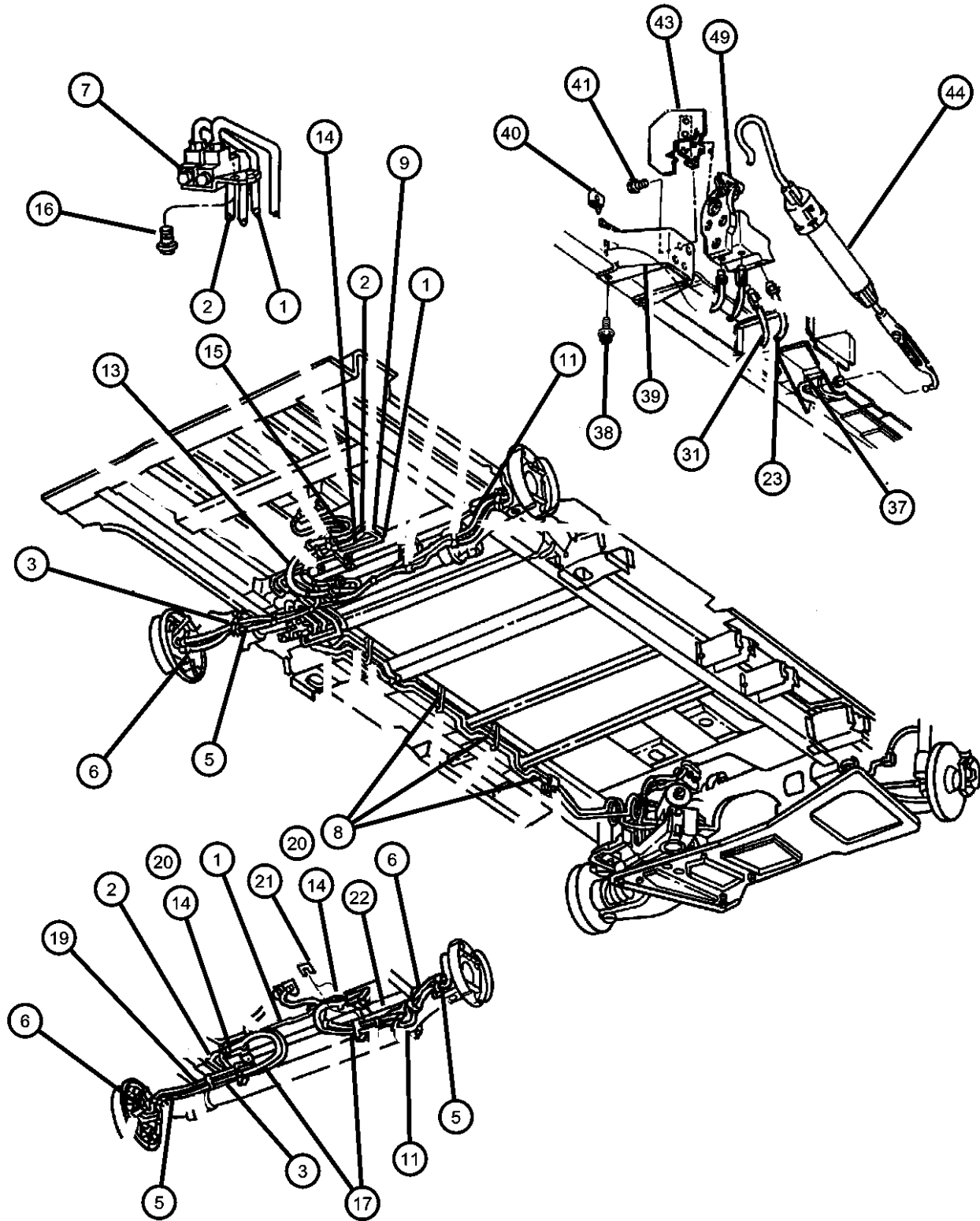
Lines and Hoses, Brake (2 of 2)
Figure 5-565



ITEM	PART NUMBER	QTY	LINE	SERIES	BODY	ENGINE	TRANS	TRIM	DESCRIPTION
1	04683320	1	Y, Z						TUBE, Brake Right
	04683322	1	C, U						Right
2	04683321	1	Y, Z						TUBE, Brake Left
	04683323	1	C, U						Left
3	04683381	1	Y, Z						TUBE, Brake, Left
-4	01843251	1	Y						TUBE, Steel, .187 25 Foot Roll, Left
5	06100293	4							BOLT AND CONED WASHER, Hex Head, M8x14x17
6	02207919	2							CLIP, Parking Brake Cable
7									VALVE, Proportioning
	04683517	1	Y, Z			52			
	04683518	1	C, U			52			
	04683519	1	Y, Z			53			
	04721533	1	C, U			53			
8	04683511	3							CLIP, Bracket and Fuel Tube
9	04683556	1							CLIP, Tube, Front
-10	04683556	1							CLIP, Tube, Rear with out ABS
11	04683380	1	Y, Z						TUBE, Brake, Right
-12	01843251	1							TUBE, Steel, .187 25 Foot Roll, AWD
13	04683291	1	Y, Z						HOSE, Brake
14	04683566	1	Y, Z						CLIP, Brake Tube
15	04683441	1	Y, Z						BRACKET, Brake Hose
16	06502468	2							SCREW, Hex Flange Head, M8x1.25x20
17									HOSE, Brake
	04683290	2	C, U						Tandem
	04721038	1	C, U						Right
	04721039	1	C, U						Left (Disc)
-18	06035098	2							BOLT, Hex Head, .437-20x.937, Banjo Brake Hose Rear (Disc)
19	04683431	1	C, U						BRACKET, Brake Hose, Left
20	04683653	2	C, U						CLIP, Tube
21	02208893	4							LOCK, Brake Hose
22	04683430	1	C, Y						BRACKET, Brake Hose, Right
23	04683818	1	Y			52			TUBE, Junction Block to Valve, Right with out ABS
-24	06034881	2	Y			52			NUT, Inverted Flare, .375-24
-25	06503135	1	Y						NUT, Tube, M10 x 1.00
-26	04683820	1	Y			53			TUBE, Junction Block to Valve, Right with out ABS
-27	06034881	1	Y						NUT, Inverted Flare, .375-24

AR = use ase required - = Non illustrated part

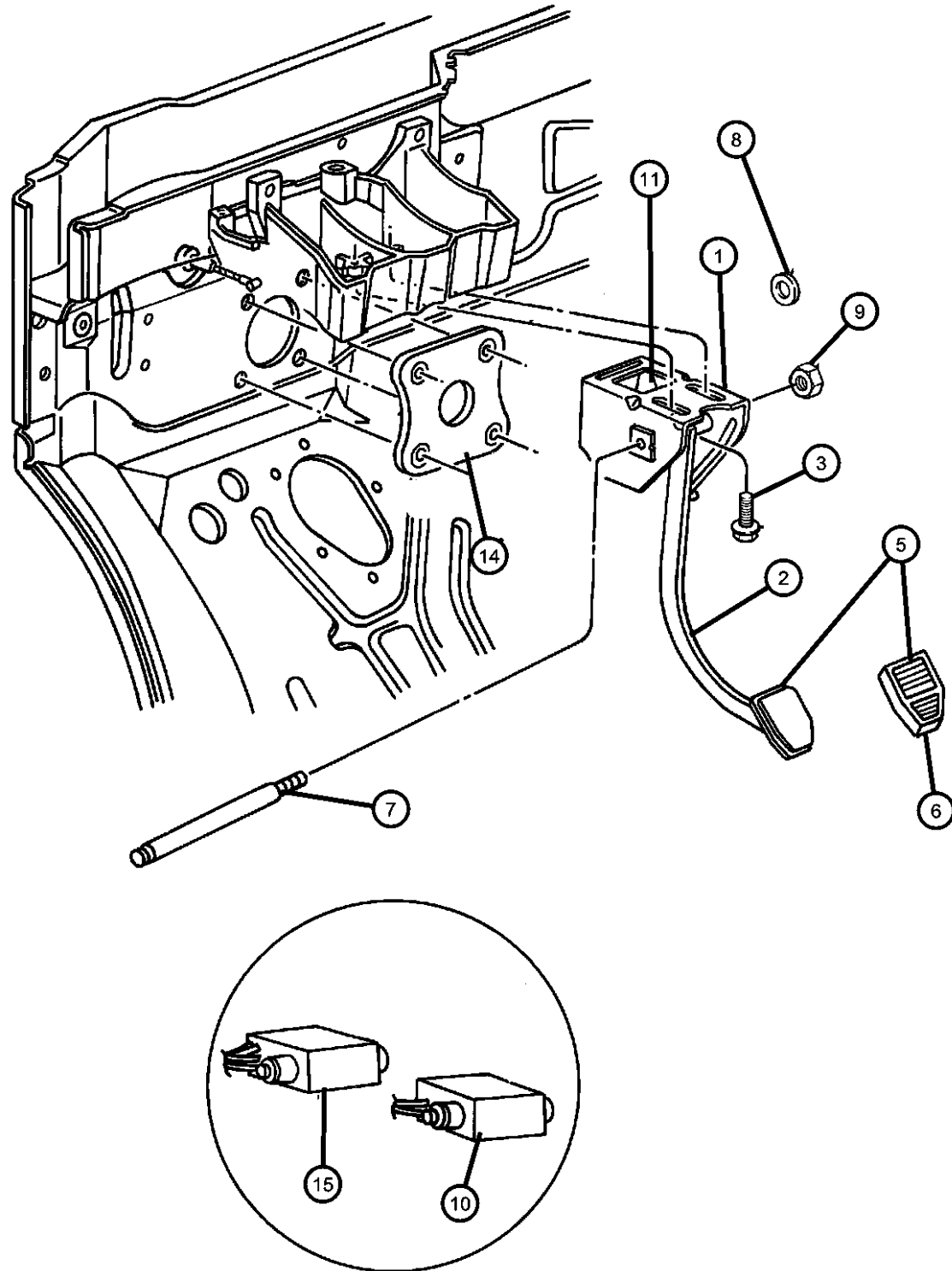
Lines and Hoses, Brake (2 of 2)
Figure 5-565



ITEM	PART NUMBER	QTY	LINE	SERIES	BODY	ENGINE	TRANS	TRIM	DESCRIPTION
-28	06503135	1	Y						NUT, Tube, M10 x 1.00
-29	01843251	1							TUBE, Steel, .187 25 Foot Roll
-30	06034880	1							NUT, Hex, .375-24x.85
31	04683817	1	Y		52				TUBE, Junction Block to Valve, Left with out ABS
-32	06034880	1							NUT, Hex, .375-24x.85
-33	06503136	1							NUT, Tube, M12 x 1.00
-34	04683819	1	Y		53				TUBE, Junction Block to Valve, Left with out ABS
-35	06034880	1							NUT, Hex, .375-24x.85
-36	06503136	1							NUT, Tube, M12 x 1.00
37	04383245	1	Y						BRACKET, Brake Actuator, with out ABS
38	06502468	2							SCREW, Hex Flange Head, M8x1.25x20
39	04721815	1	Y						BRACKET, Brake Height Sensor Valve, with out ABS
40	06101283	1							U-NUT, M8x1.25
41	06100583	2	Y						BOLT AND CONED WASHER, Hex Head, M8x25x20
-42	06502468	2							SCREW, Hex Flange Head, M8x1.25x20
43	04683660	1	Y						SHIELD, Height Sensing Valve, with out ABS
44									ACTUATOR, Height Sensing Valve with out ABS
	04683815	1	Y		52				with out ABS
	04683954	1	Y		53				with out ABS
-45	06035488	1	Y						SCREW, Hex Flange Head Tapping, .25-14x.875
-46	04682652	1							CLIP, Tube, Isolator/Fuel Brake Tubes, For 20 Gal Fuel
-47	01843251	1	Y						TUBE, Steel, .187 25 Foot Roll, Junction Block
-48	06034881	2	Y						NUT, Inverted Flare, .375-24
49	04509054	1	Y						VALVE, Height Sensing Brake

AR = use ase required - = Non illustrated part

Pedal, Brake
Figure 5-645



ITEM	PART NUMBER	QTY	LINE	SERIES	BODY	ENGINE	TRANS	TRIM	DESCRIPTION
------	-------------	-----	------	--------	------	--------	-------	------	-------------

Note: Sales Code ABA= Australia Equipment Package
Note: Sales Code ABJ= Japan Equipment Package

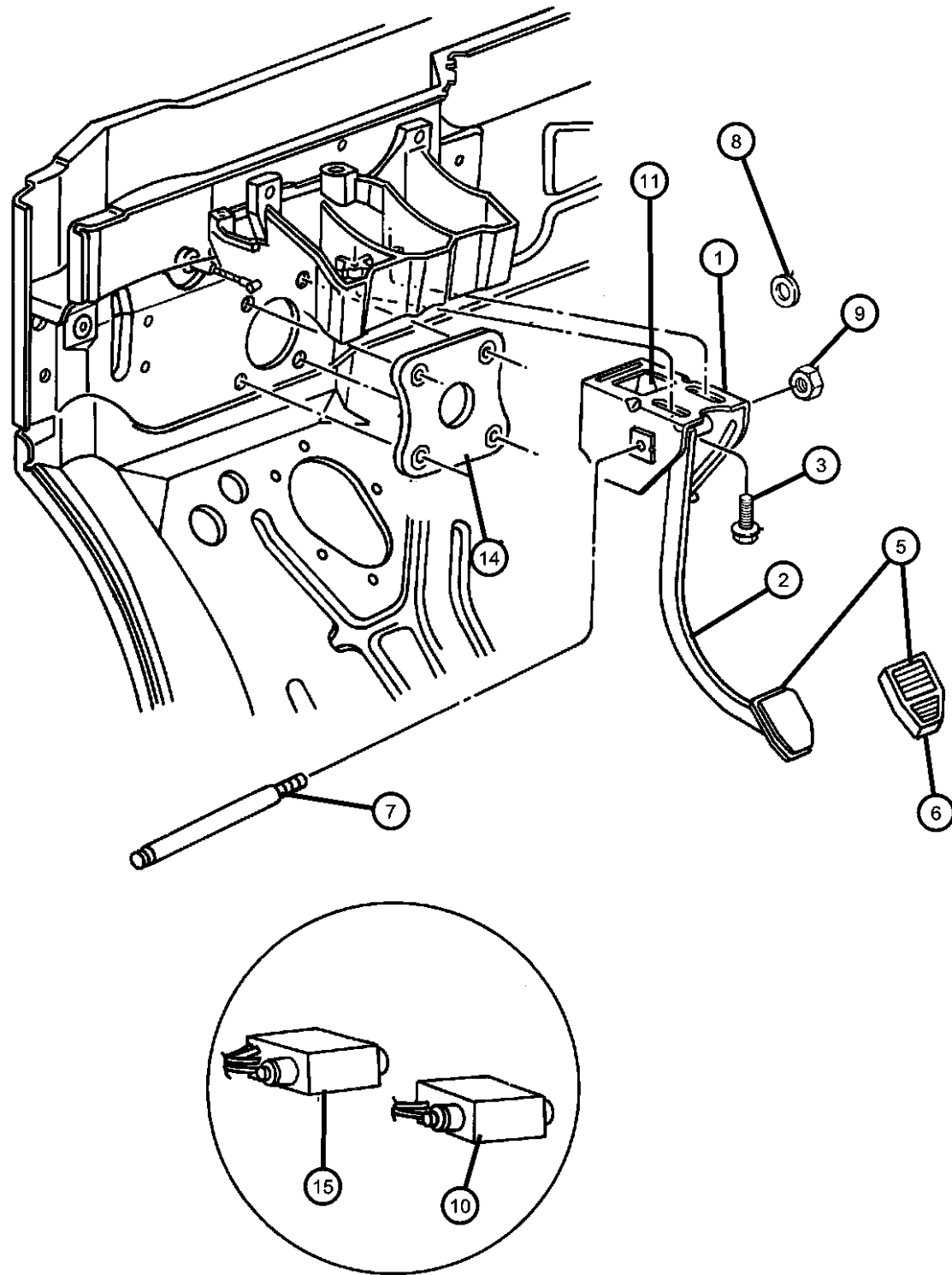
Japan Equipment Package

1									BRACKET, Brake Pedal with Auto Trans
	04683439	1	C, Y						with Auto Trans
	04683440	1	C, Y						with Manual Trans
2									PEDAL, Brake
	04683730	1	C, Y						with Manual Trans
	04683731	1	C, Y						with Auto Trans
3	06503543	1							BOLT AND CONED WASHER, Hex Head, M8x1.25x25
-4	06504151	2							STUD, 2 End Same Tapping, M8x1.25x46.00
5									PEDAL AND PAD, Brake
	04877390	1	U, Z						with Manual Trans with out ABJ, ABA
	04877391	1	U, Z						with Auto Trans with out ABJ, ABA
6									PAD, Brake Pedal
	04019660	1	C, Y						with Auto Trans
		1	U, Z						with Auto Trans
7									SHAFT, Brake Pedal Pivot
	04683437	1	C, Y						with Auto Trans
		1	C, Y						with Manual Trans
8	02467770	2	C, Y						BUSHING, Pedal Shaft
9	06500197	1	Z						NUT, M10x1.5
10									SWITCH, Parking Brake
	04685395	1	C, Y						
	05209922	1	Y						
		1	U, Z						with Manual Trans
11	04294036	1							CLIP, Brake Pedal Booster Push Rod Pin
-12	06500274	2							LOCK NUT, M6x1.0x6, Stop Lamp Switch Mount Bracket
-13	06501766	4							NUT AND WASHER, Brake Pedal Bracket Support Assy to Plenum M8x1.25, Brake Pedal Brkt Supt Assy to Plenum
14	04294008	1	C, Y						SPACER, Brake Pedal Bracket, with Manual Trans
15									SWITCH, Stop Lamp
	04671334	1							3.15MM
	04671336	1							4.15MM
-16									MODULE, Brake Pedal
	04683759AB	1	U, Z						with Manual Trans with Bracket with ABJ, ABA

AR = use ase required - = Non illustrated part

Pedal, Brake
Figure 5-645

ITEM	PART NUMBER	QTY	LINE	SERIES	BODY	ENGINE	TRANS	TRIM	DESCRIPTION
	04683760AB	1	U, Z						with Auto Trans with Bracket with ABJ, ABA
-17	04683021	1	C, Y						PAD, Clutch, Brake with Manual Trans



AR = use ase required - = Non illustrated part

Group - 6

Clutch

Group - 6 Clutch

Illustration Title

Group-Fig. No.

Clutch

Clutch & Disc Fig. 6 - 110

Clutch Housing

Housing, Clutch & Mounting Bolts Fig. 6 - 210

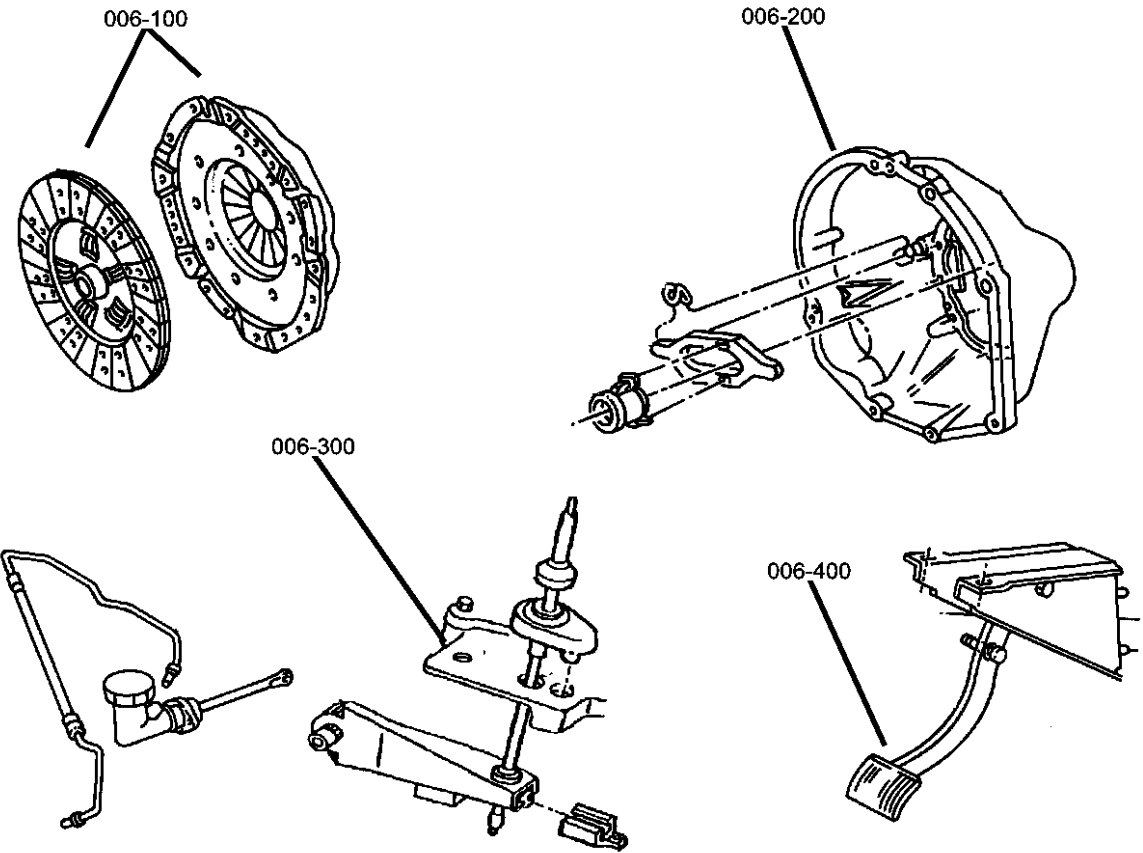
Clutch Controls


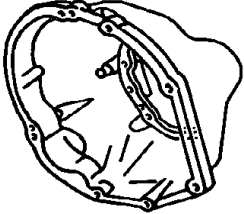
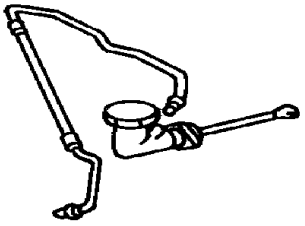
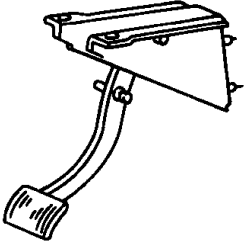
Linkage, Clutch Fig. 6 - 310

Controls, Master Cylinder - Slave Cylinder, RHD Fig. 6 - 320

Clutch Pedals

Pedal, Clutch Fig. 6 - 410

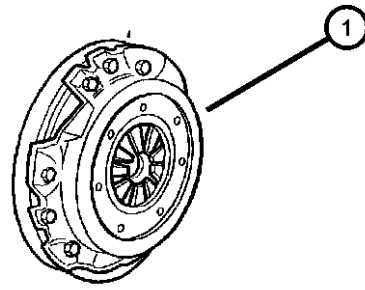


<p>006-100 Clutch</p> 	<p>006-200 Clutch Housing</p> 	<p>006-300 Clutch Controls</p> 	<p>006-400 Clutch Pedals</p> 
----------------------------------------------------------------------------------------------------------------------	------------------------------------------------------------------------------------------------------------------------------	--------------------------------------------------------------------------------------------------------------------------------	-------------------------------------------------------------------------------------------------------------------------------

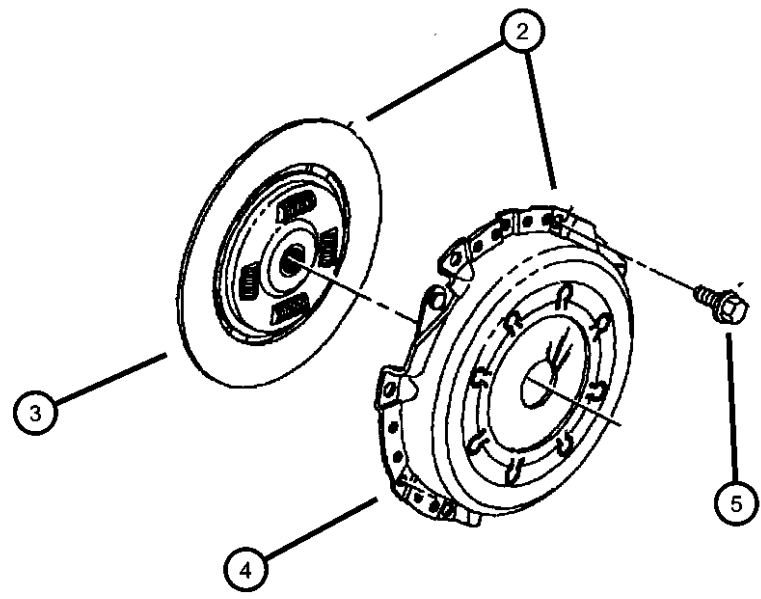
Clutch & Disc
Figure 6-110

ITEM	PART NUMBER	QTY	LINE	SERIES	BODY	ENGINE	TRANS	TRIM	DESCRIPTION
------	-------------	-----	------	--------	------	--------	-------	------	-------------

NOTE:
Sales Codes:
ECB=2.0L 4CYL. SOHC 16V
EDZ=2.4L 4CYL. DOHC 16V
ENC=2.5L 4CYL. TURBO DIESEL



1									CLUTCH, Modular
	04641555	1				ECB			
	04670075	1				EDZ			
2	04856173	1				ENC			CLUTCH PACKAGE
3	04670073	1				ENC			DISC, Clutch
4	04641697	1				ENC			PLATE, Clutch Pressure
5									SCREW AND WASHER, Hex Head, M8x1.25x20
	06101452	6				ENC			
		2				EDZ			
		1				ECB, EDZ, EGA, EGH			
-6									BOLT, Hex Head, M10x1.50 x 13.20
	06501099	4				ECB			
		4				EDZ			

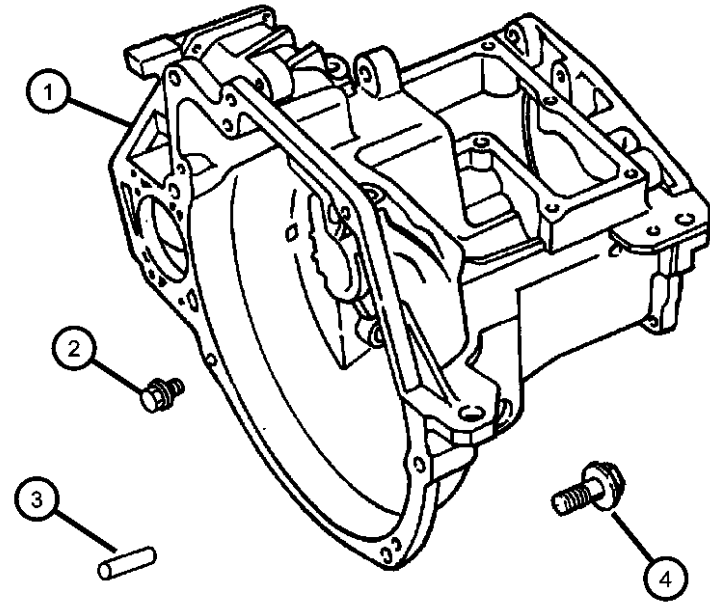


AR = use ase required - = Non illustrated part

Housing, Clutch & Mounting Bolts
Figure 6-210

ITEM	PART NUMBER	QTY	LINE	SERIES	BODY	ENGINE	TRANS	TRIM	DESCRIPTION
------	-------------	-----	------	--------	------	--------	-------	------	-------------

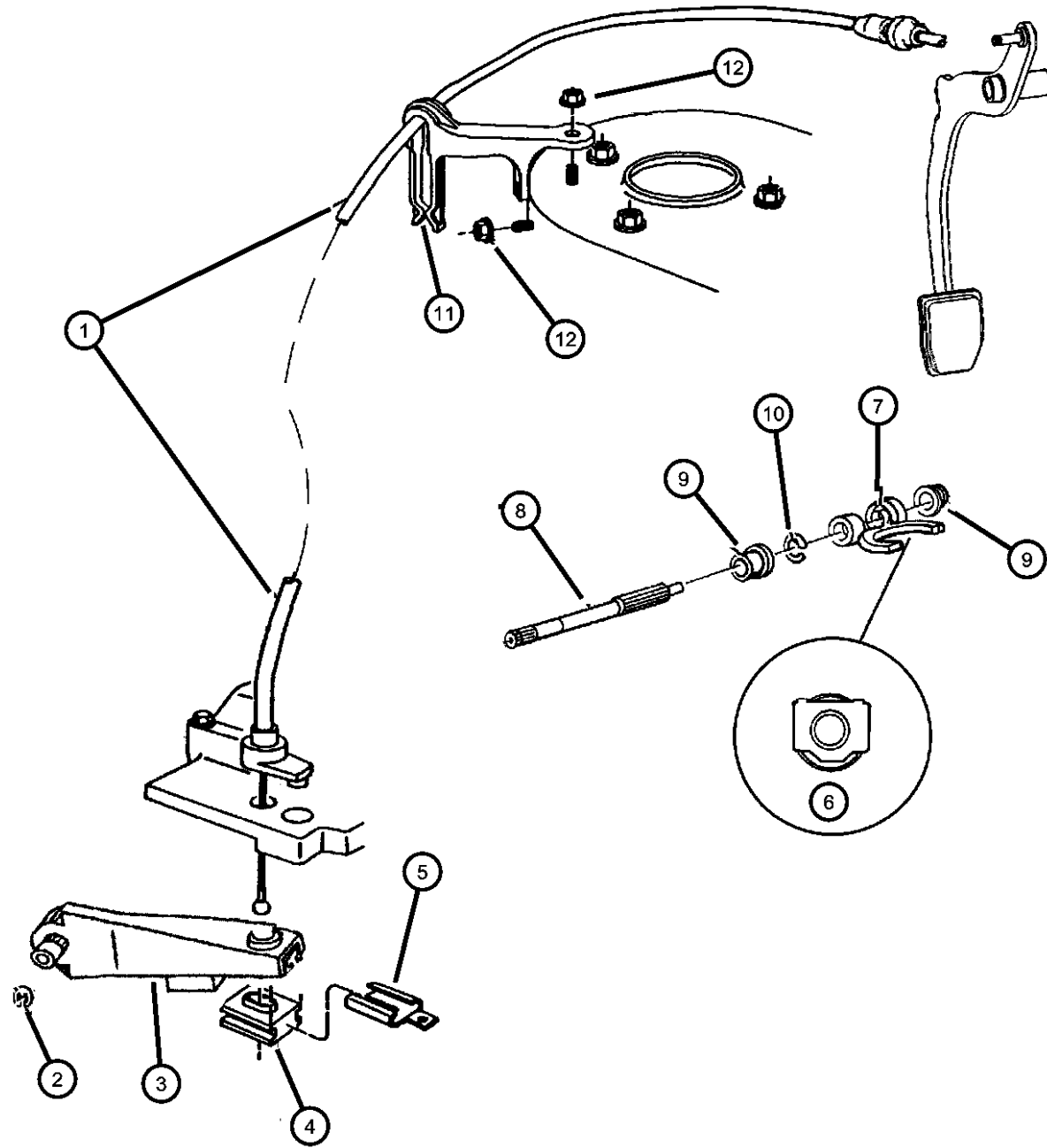
NOTE:
Sales Codes:
ECB=2.0L 4CYL. SOHC 16V
EDZ=2.4L 4CYL DOHC 16V
ENC=2.5L 4 CYL TURBO DIESEL
DD3=5 Speed Manual Transmission
DDF=5 Speed Manual Transmission



1		4							HOUSING, Transaxle Case, (NOT SERVICED)
2	06500136	1				ECB, EDZ			SCREW AND WASHER, Hex Head, M6x1x14
3									DOWEL, Block To Clutch Housing
	05240849	2				ECB			
		2				EDZ	DD3		
4	06501164	3					DD3, DDF		SCREW, Hex Head, M12x1.75x50
-5	06500585	4				ENC			SCREW AND WASHER, Hex Head Locking, M12x1.75x59.20

AR = use ase required - = Non illustrated part

Linkage, Clutch
Figure 6-310



NOTE:

Sales Codes:

ECB=2.0L 4CYL. SOHC 16V

EDZ=2.4L 4CYL. DOHC 16V

ENC=2.5L 4CYL TURBO DIESEL

DD3=5 Speed Manual Transmission

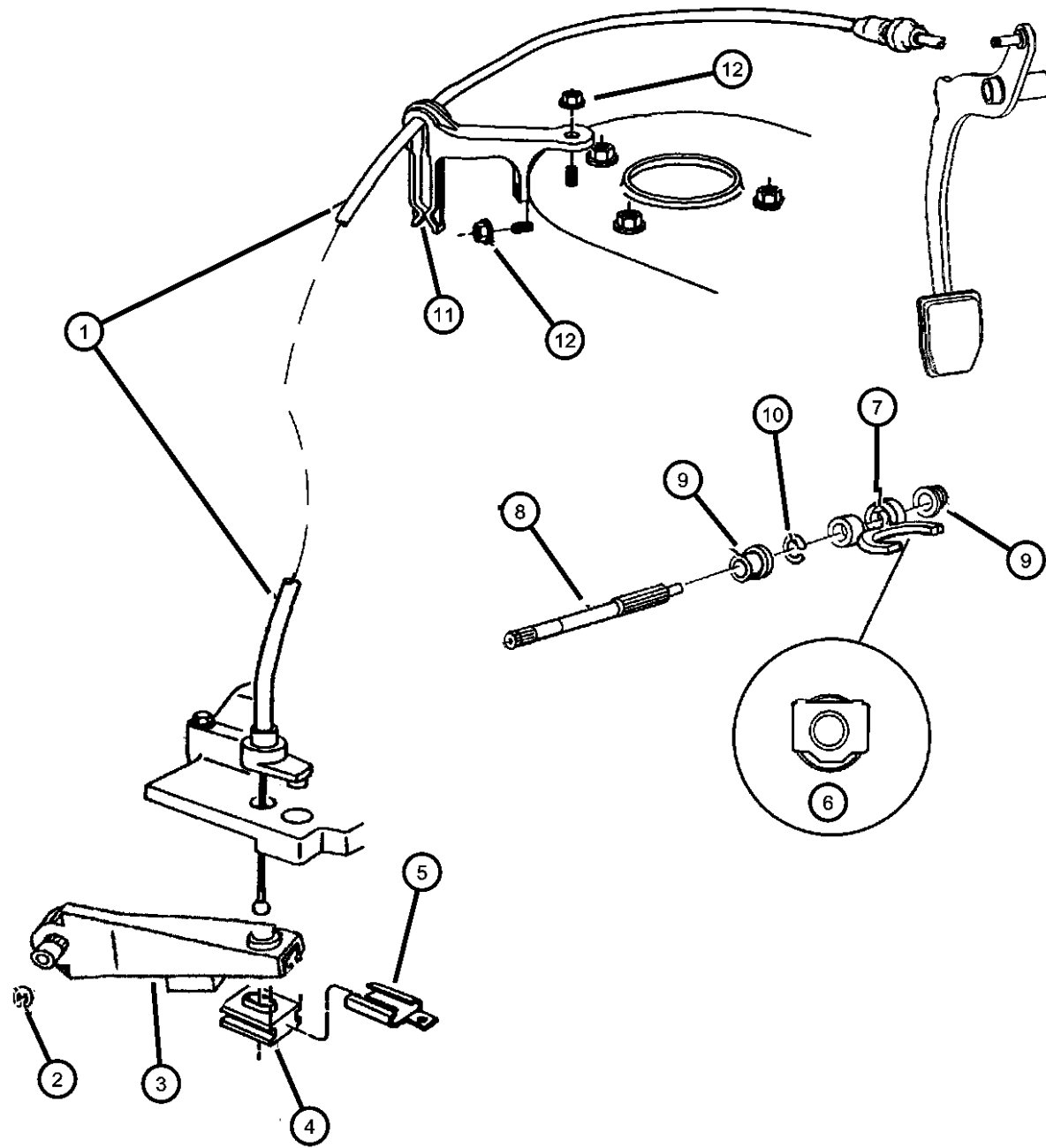
DDF=5 Speed Manual Transmission

ITEM	PART NUMBER	QTY	LINE	SERIES	BODY	ENGINE	TRANS	TRIM	DESCRIPTION
1	04641727	1	Y			ECB, EDZ, ENC			CABLE, Clutch Release
2									E RING, Clutch Release Lever, 19.15mm
	06500951	1				ENC	DD3		
		1	Y			ECB	DDF		
		1	Z			ECB	DDF		
3									LEVER, Clutch Release
	04641730	1	Z			ECB	DDF		
	04670143	1				ENC	DD3		
		1	Y			ECB	DDF		
4	05206244	1	Y			EDZ, ENC			GROMMET, Clutch Cable Retainer
5	05206245	1	Y			EDZ, ENC			RETAINER, Clutch Cable
6									BEARING, Clutch Release
	04505353	1				ENC	DD3		
		1	Y			ECB	DDF		
		1	Z			ECB	DDF		
7									FORK, Clutch Release
	04511046	1				ENC	DD3		
		1	Y			ECB	DDF		
		1	Z			ECB	DDF		
8									SHAFT, Clutch Release
	04295426	1				ENC	DD3		
		1	Y			ECB	DDF		
		1	Z			ECB	DDF		
9									BUSHING, Clutch Release
	04295438	1				ENC	DD3		Outer
		1	Y			ECB	DDF		Outer
		1	Z			ECB	DDF		Outer
	04295759	1				ENC	DD3		Inner
		1	Y			ECB	DDF		Inner
		1	Z			ECB	DDF		Inner
10									E RING, Clutch Release Shaft, 20mm
	06500510	1	Y			ECB	DDF		
		1				ENC	DD3		
		1	Z			ECB	DDF		

AR = use ase required - = Non illustrated part

Linkage, Clutch
Figure 6-310

ITEM	PART NUMBER	QTY	LINE	SERIES	BODY	ENGINE	TRANS	TRIM	DESCRIPTION
11	04670217	1	Y				DD3, DDF		GUIDE, Clutch Cable
12	06501730	2					DD3, DDF		NUT, Retainer, M6 x 1.00



AR = use ase required - = Non illustrated part

Controls, Master Cylinder - Slave Cylinder, RHD
Figure 6-320

ITEM	PART NUMBER	QTY	LINE	SERIES	BODY	ENGINE	TRANS	TRIM	DESCRIPTION
------	-------------	-----	------	--------	------	--------	-------	------	-------------

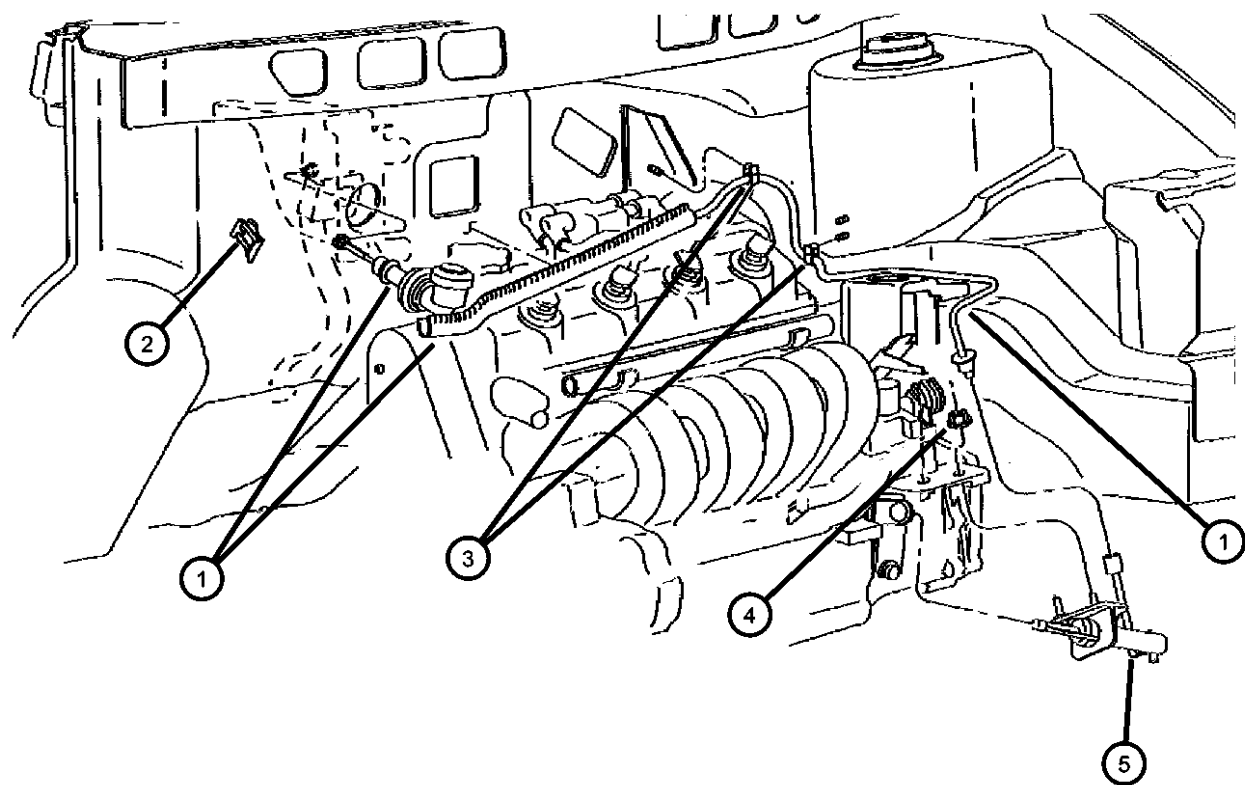
NOTE:

Sales Codes:

ECB=2.0L 4CYL. SOHC 16V

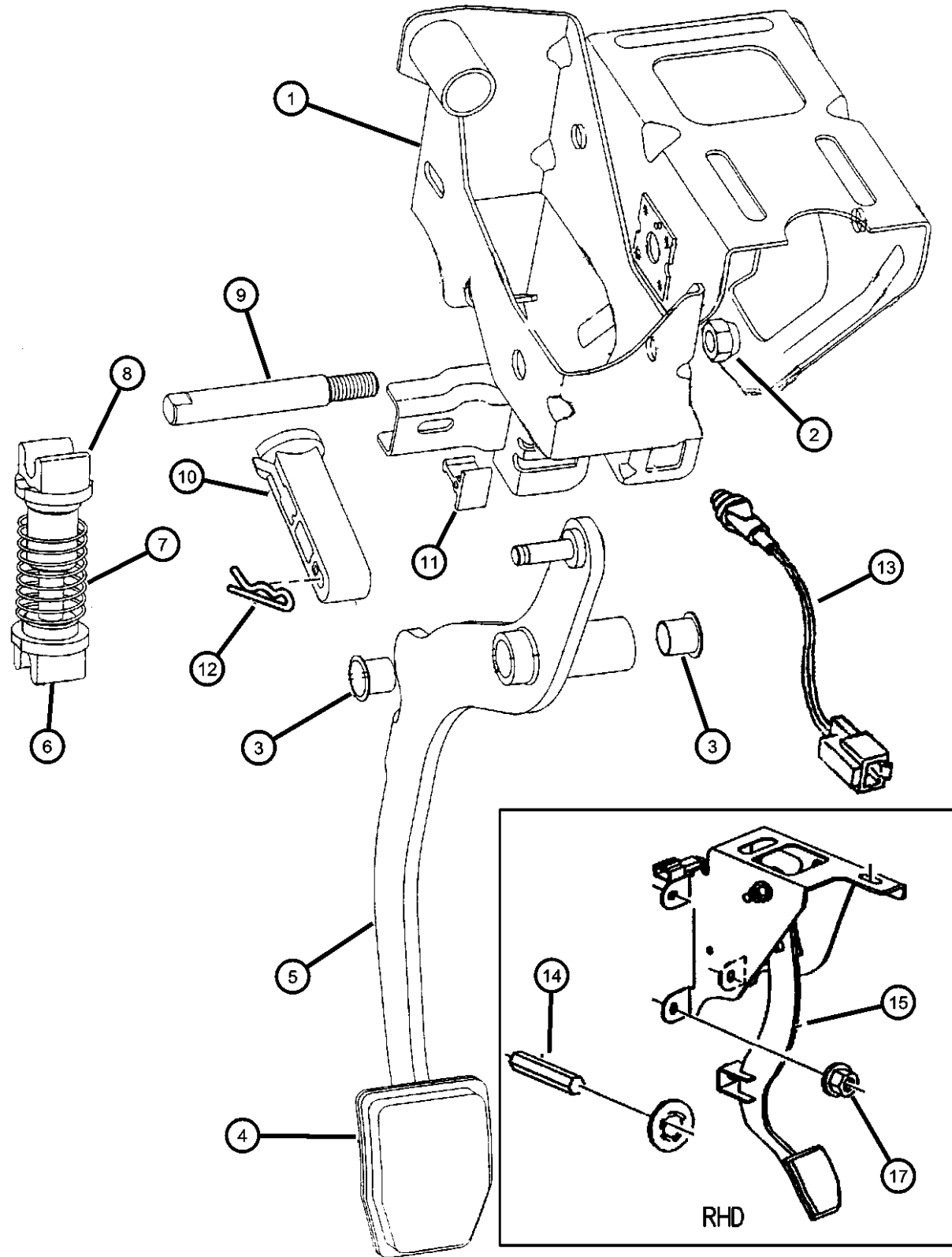
DG0=Automatic Transmission

1	04660700	1	Z			ECB			CYLINDER, Clutch Master
2	04294036	2	U, Z				DG0		CLIP
3	04606041	2	Z			ECB			CLIP, Accelerator Cable
4	06101446	2	Z			ECB			NUT AND WASHER
5	04641741	1	Z			ECB			CYLINDER, Clutch Slave



AR = use ase required - = Non illustrated part

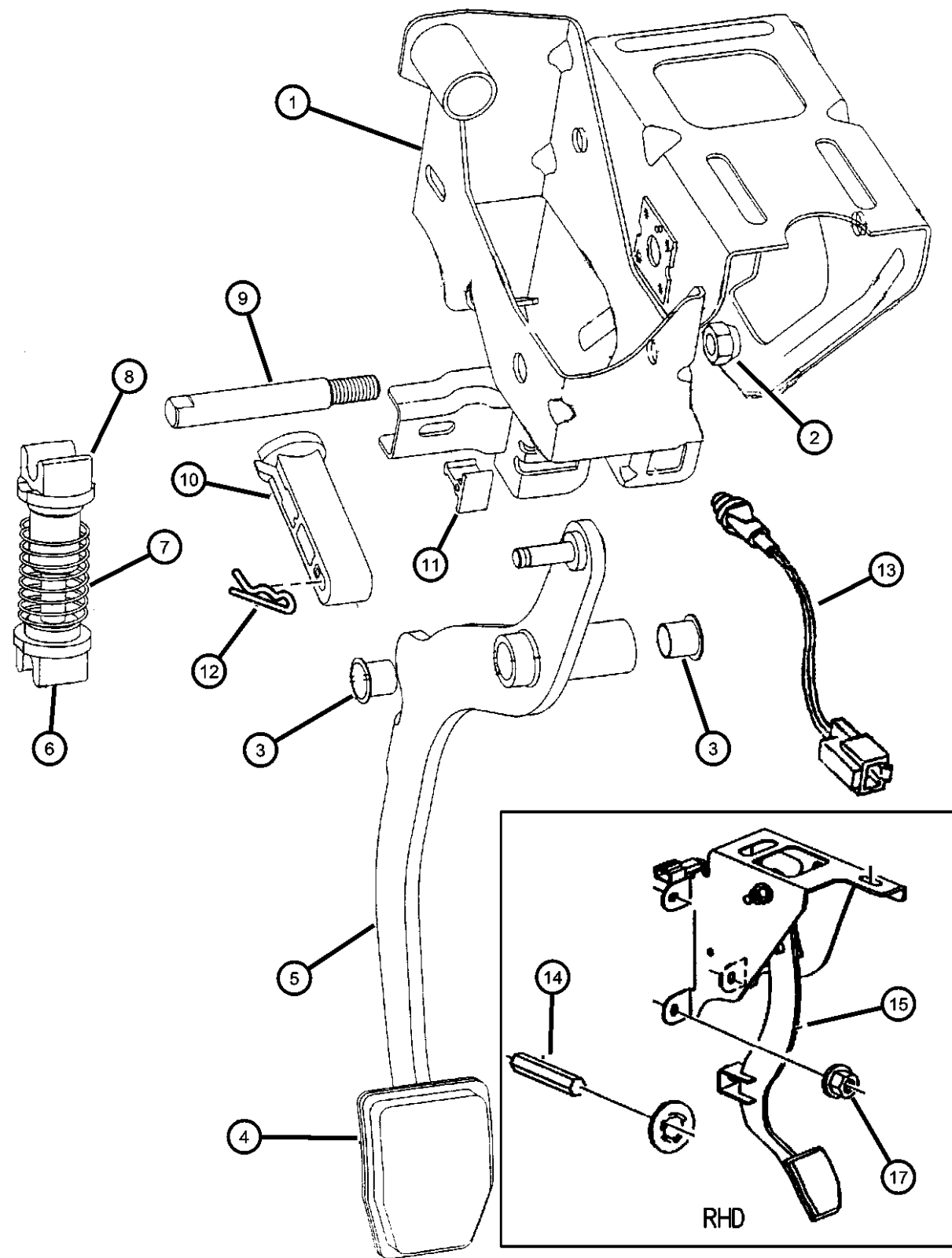
Pedal, Clutch
Figure 6-410



ITEM	PART NUMBER	QTY	LINE	SERIES	BODY	ENGINE	TRANS	TRIM	DESCRIPTION
NOTE: Sales Codes: ECB=2.0L 4CYL. SOHC 16V EDZ=2.4L 4CYL. DOHC 16V ENC=2.5L 4CYL. TURBO DIESEL DD3=5 Speed Manual Transmission DDF=5 Speed Manual Transmission									
1									BRACKET, Brake Pedal
	04683440	1	Y			ECB	DDF		
		1	C, Y			EDZ, ENC	DD3		
2									NUT, M10x1.5
	06500197	1	Z			ECB			
		2	Y			ECB	DDF		
		1	Y				DBB		
3	02467770	1	Y				DBB		BUSHING, Pedal Shaft
4									PAD, Clutch
	04683021	1	Z			ECB			
		1	Y			ECB	DDF		
		1	C, Y			EDZ, ENC	DD3		
5	04641552	1	Y			ECB	DDF		PEDAL, Clutch
6	04641602	1	C, Y			EDZ, ENC	DD3		PLUNGER, Lower
7	04641606	1	C, Y			EDZ, ENC	DD3		SPRING, Clutch Pedal
8	04641603	1	C, Y			EDZ, ENC	DD3		PLUNGER, Upper
9									SHAFT, Clutch Pedal
	04641601	1	Y			ECB	DDF		
		1	C, Y			EDZ, ENC	DD3		
10									SPACER, Clutch Pedal Adjuster
	04670277	1	Y			ECB	DDF		
		1	C, Y			EDZ, ENC	DD3		
11									BUMPER, Clutch Pedal
	02266820	1	C, Y			EDZ, ENC	DD3		
		1	Y			ECB	DDF		
12	04641789	1	C, Y			EDZ, ENC	DD3		CLIP, Clutch Pedal
13									SWITCH, Clutch Starter Interlock
	04685582	1	Z			ECB			
		1	Y			ECB	DDF		
	04685583	1				ENC			
14									STOPPER, Clutch and Brake Pedal
	04641626	1	C			ECB			
		1	U, Z				DD3, DDF		
15	04683652	1	Z			ECB			PEDAL, Clutch
-16									SPRING, Clutch Pedal Return
	04670093	1	Y			ECB	DDF		

AR = use ase required - = Non illustrated part

Pedal, Clutch
Figure 6-410



ITEM	PART NUMBER	QTY	LINE	SERIES	BODY	ENGINE	TRANS	TRIM	DESCRIPTION
		1	Z			ECB			
17	06101445	4	Z			ECB			NUT AND WASHER, Hex Nut-Coned Washer, M8 x 1.25, M8x1.25

AR = use ase required - = Non illustrated part

Group - 7

Cooling

Group - 7 Cooling

Illustration Title

Group-Fig. No.

Radiator and Related Parts

Radiator and Related Parts..... Fig. 7 - 105
 Intercooler Assembly..... Fig. 7 - 140
 Radiator and Related Parts..... Fig. 7 - 150
 Radiator and Related Parts..... Fig. 7 - 175

Water Pump and Related Parts

Water Pump and Related Parts, 2.0L-2.4L Engine Fig. 7 - 207
 Water Pump and Related Parts, 2.5L Diesel Engine Fig. 7 - 210
 Water Pump and Related Parts, 3.3L-3.8L Engine Fig. 7 - 225

Tank, Coolant Engine

Coolant Reserve Tank Fig. 7 - 330

Pulleys and Related Parts

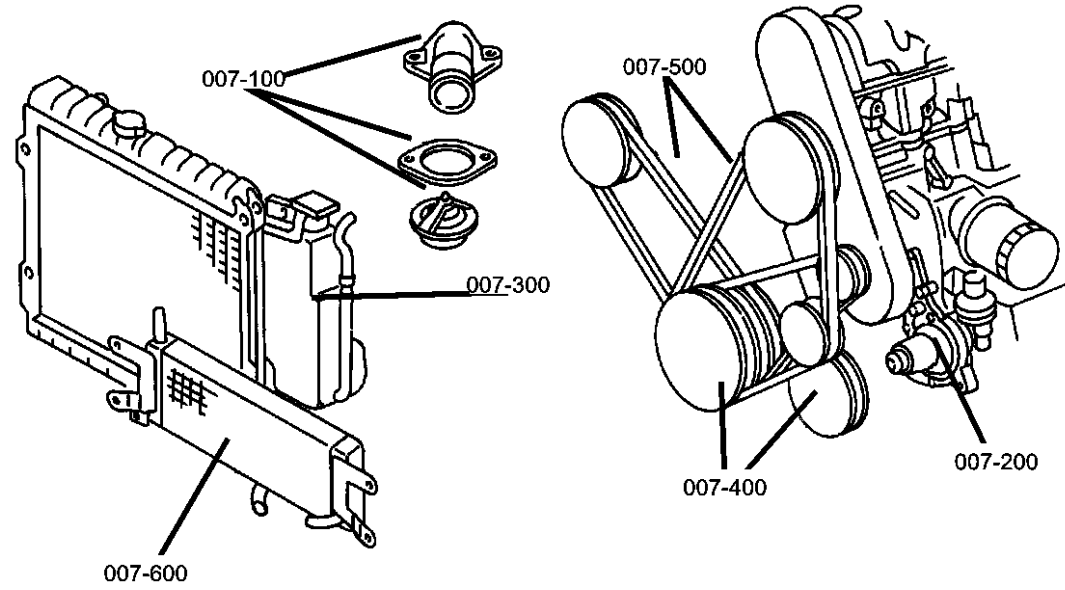
Pulleys and Related Parts Fig. 7 - 404
 Pulleys and Related Parts Fig. 7 - 410
 Pulleys and Related Parts Fig. 7 - 425

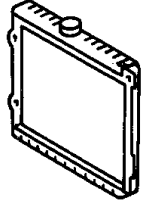
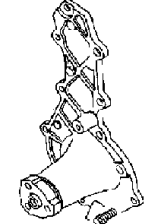
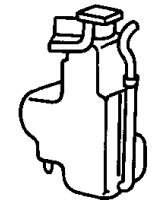
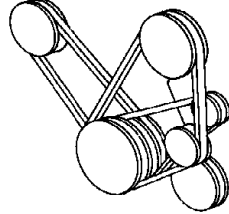
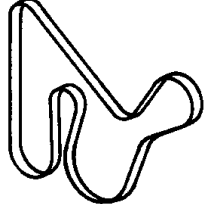
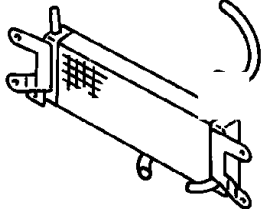
Drive Belts

Drive Belts Fig. 7 - 520
 Drive Belts Fig. 7 - 530

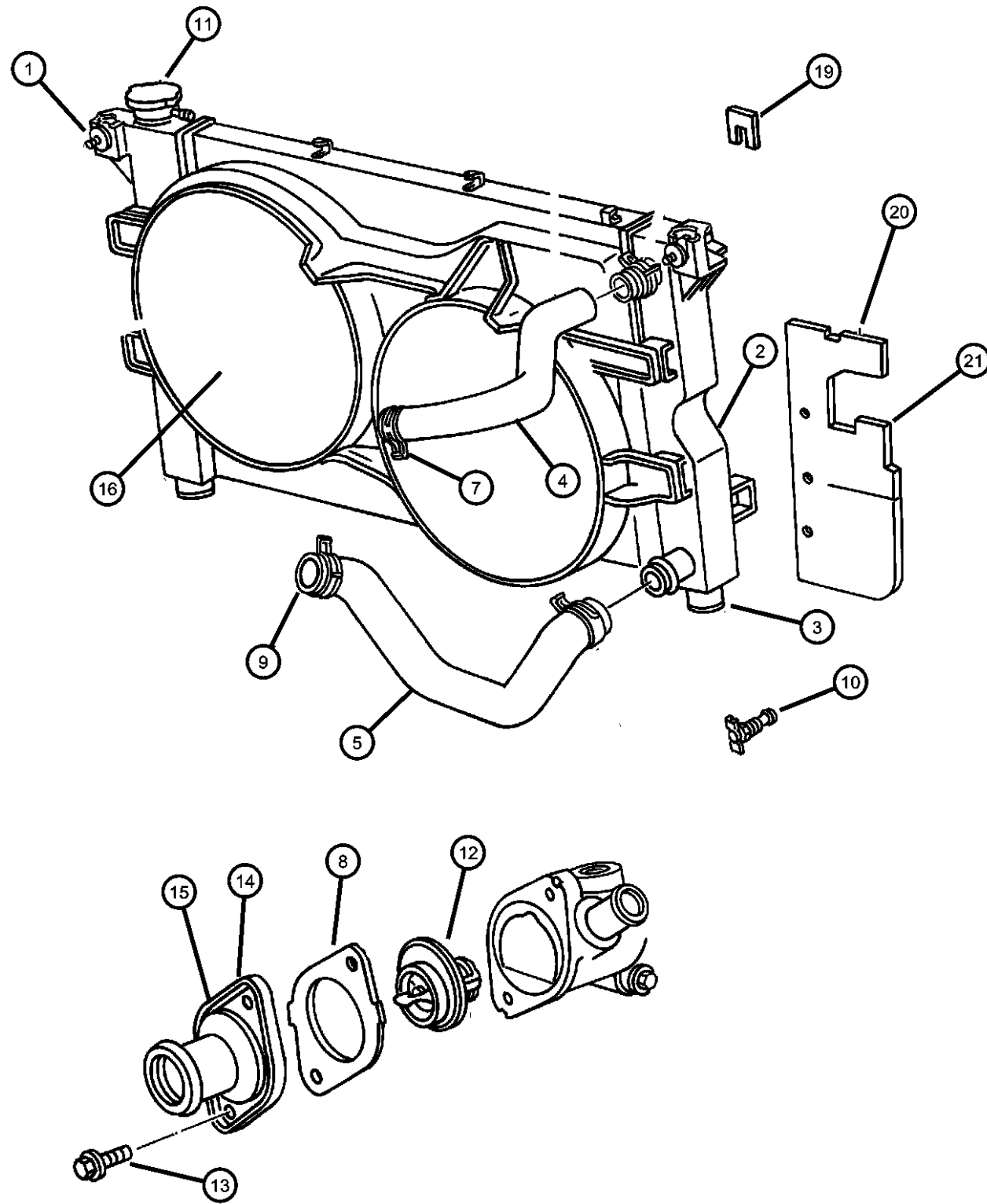
Lines, Transmission Oil Cooler

Cooler and Lines Fig. 7 - 630



<p>007-100 Radiator and Related Parts</p> 	<p>007-200 Water Pump and Related Parts</p> 	<p>007-300 Tank, Coolant Engine</p> 	<p>007-400 Pulleys and Related Parts</p> 
<p>007-500 Drive Belts</p> 	<p>007-600 Lines, Transmission Oil Cooler</p> 		

**Radiator and Related Parts
Figure 7-105**



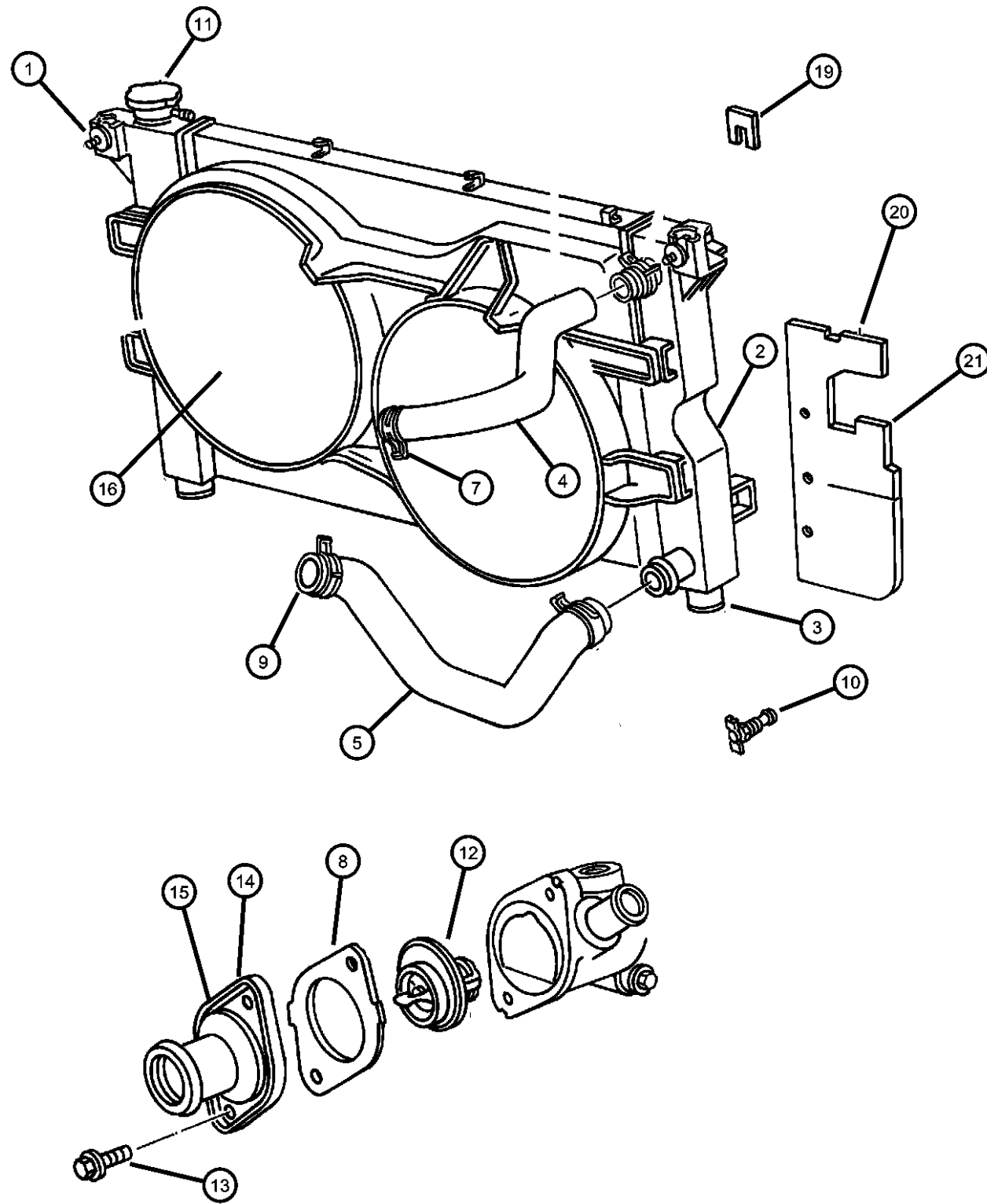
ITEM	PART NUMBER	QTY	LINE	SERIES	BODY	ENGINE	TRANS	TRIM	DESCRIPTION
------	-------------	-----	------	--------	------	--------	-------	------	-------------

NOTE:
Sales Code:
ECB = ENGINE - 2.0L 4 CYL SOHC 16V SMPI
EDZ = ENGINE - 2.4L 4 CYL DOHC 16V
EGH = ENGINE - 3.8L V6 MPI
EC0 = ENGINES - ALL 2.0L 4 CYL
EGA = ENGINE - 3.3L V6 MPI
DD3 = TRANSMISSION - MANUAL 5-SPEED
DD0 = TRANSMISSIONS - ALL MANUAL 5-S DD0 0G
DDF = TRANSMISSION - MANUAL 5-SPEED
DGL = TRANSMISSION - AUTOMATIC 4-SPD

1	04809070	2				ECB, EDZ	DD0		ISOLATOR, Radiator, Upper RADIATOR, Engine Cooling
2	04682587	1				EDZ, EGA, EGH	DGL		Mopar Coolant 5 Year/100,000 Mile Formula 1 Gallon
	05066386AA								
	04682785	1				ECB, EDZ	DD0		ISOLATOR, Radiator
3	04809071	2				EDZ, EGA, EGH	DGL		Lower
		2				ECB, EDZ	DD0		Lower
4	04682954	1				ECB			HOSE AND CLAMP, Radiator Inlet
	04809521	1				ED0			
5	04682637	1				EC0, ED0			HOSE AND CLAMP, Radiator Outlet
-6	04682807	1				ECB, ED0, EG0			CLIP, Radiator Outlet Hose
7	04401438	1				ECB			CLAMP, Radiator
		1				ED0			
8	04179895	1				EDZ			GASKET, Thermostat
9	04401439	1				EC0, ED0			CLAMP, Radiator
10	04644269	1				EDZ, EGA, EGH	DGL		DRAINCOCK, Radiator
		1				ECB, EDZ	DD0		
11	03781830	1				EDZ, EGA, EGH	DGL		CAP, Radiator
		1				ECB, EDZ	DD0		
12	04495721	1				ECB			THERMOSTAT, Water Pump, 195 Degrees
	04573560	1				EDZ			
13	06101939	2				ECB			SCREW AND WASHER, Hex Head, M6x1x30
14	04809003AB	1				ECB			HOUSING, Thermostat

AR = use ase required - = Non illustrated part

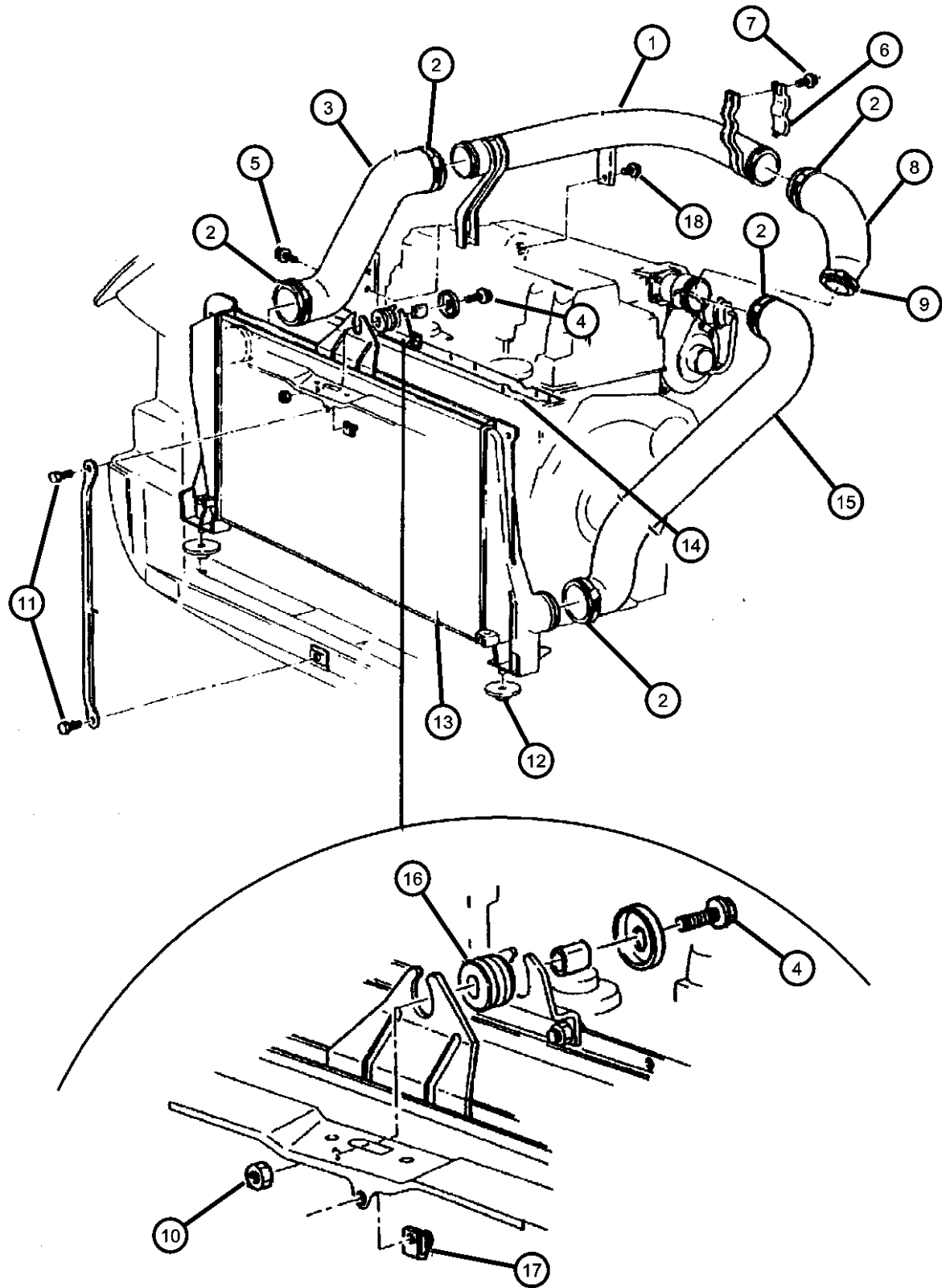
Radiator and Related Parts
Figure 7-105



ITEM	PART NUMBER	QTY	LINE	SERIES	BODY	ENGINE	TRANS	TRIM	DESCRIPTION
15	04621565	1				EDZ			CONNECTOR, Engine Coolant Outlet
16	04682593	1				ECB, EDZ	DD0		FAN MODULE, Radiator Cooling
-17	04546145	2							CLIP, Radiator Fan Shroud
-18	04734927	2				ECB, EDZ	DD0		CLIP, Radiator Fan Shroud
19									U-NUT, Module
	04546552	3				EDZ, EGA, EGH	DGL		
		3				ECB, EDZ	DD0		
20									SEAL, Radiator Side Air
	04682961	1				ECB, ED0			Left
	04682962	1				ECB, EDZ	DD0		Right
21									SEAL, Air Conditioning Unit
	04682962	1				EDZ, EGA, EGH	DGL		
		1				ECB, EDZ	DD0		
	04734671	1							
		1	U, Z						
-22	04592114	1							LABEL, Fan Caution
-23	04676881	6				EC0, ED0, EG0			RETAINER, Condenser Seal

AR = use ase required - = Non illustrated part

Intercooler Assembly
Figure 7-140



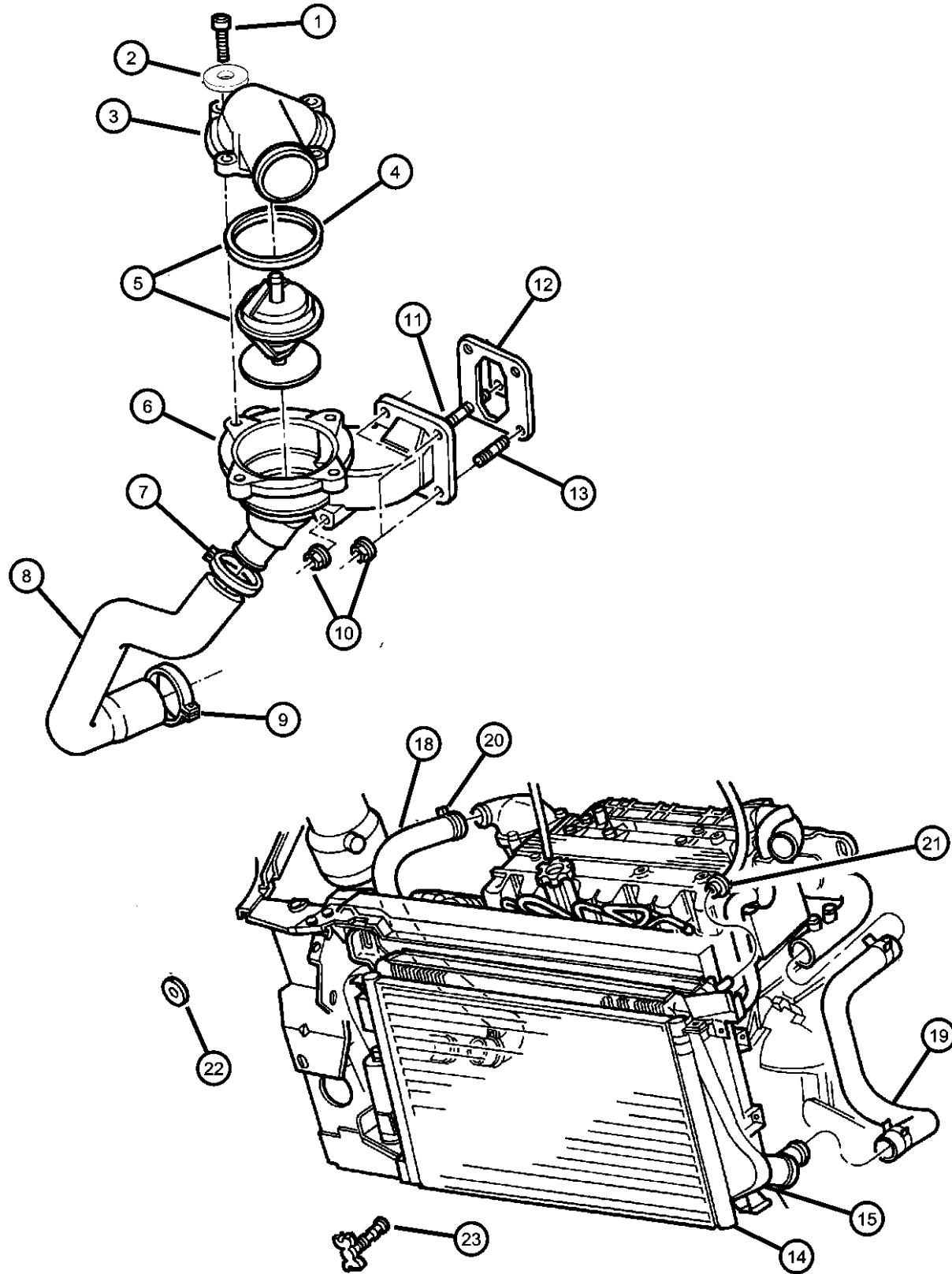
ITEM	PART NUMBER	QTY	LINE	SERIES	BODY	ENGINE	TRANS	TRIM	DESCRIPTION
------	-------------	-----	------	--------	------	--------	-------	------	-------------

NOTE:
Sales Code:
ENC = ENGINE - 2.5L 4 CYL TURBO DIESEL
ENO = ENGINES - ALL 4 CYL TURBO DIESEL
DDF = TRANSMISSION - MANUAL 5-SPEED
DG0 = TRANSMISSIONS - ALL AUTOMATIC

1	04612535AB	1				ENC			TUBE, Turbocharger To Intercooler
2	04641005	1	C, U						CLAMP, Hose
3	04612533	1				ENC			HOSE, Tube to Intercooler
4	06101614	4				ENO			SCREW AND WASHER, Hex Head, M8x1.25x45
5	06101614	4							SCREW, (NOT SERVICED)
6	04861009	1				ENC			BRACKET, Hose
7	04861009	1							SCREW, Tapping, M6x25, (NOT SERVICED)
8	04612532AB	1				ENC			HOSE, Turbocharger To Tube
9	04641005	1	C, U						CLAMP, Hose
10	04641005	1							NUT, M8-1.25, (NOT SERVICED)
11									SCREW AND WASHER, Hex Head, M6x1x25
	06101451	1					DDF		
		1	Z				DG0		
12	04592113	2				ENO			ISOLATOR, Radiator
13	04798014	1				ENO			COOLER, Charge Air
14	04798013	1				ENO			RADIATOR, Engine Cooling
15	04861016	1				ENC			HOSE, Intercooler to Flange
16	04809071	1				ENO			ISOLATOR, Radiator
17	04809071	1							NUT, M6x1.00, (NOT SERVICED)
18	04809071	1							SCREW AND WASHER, Hex Head, M10x1.0x25.00, (NOT SERVICED)

AR = use ase required - = Non illustrated part

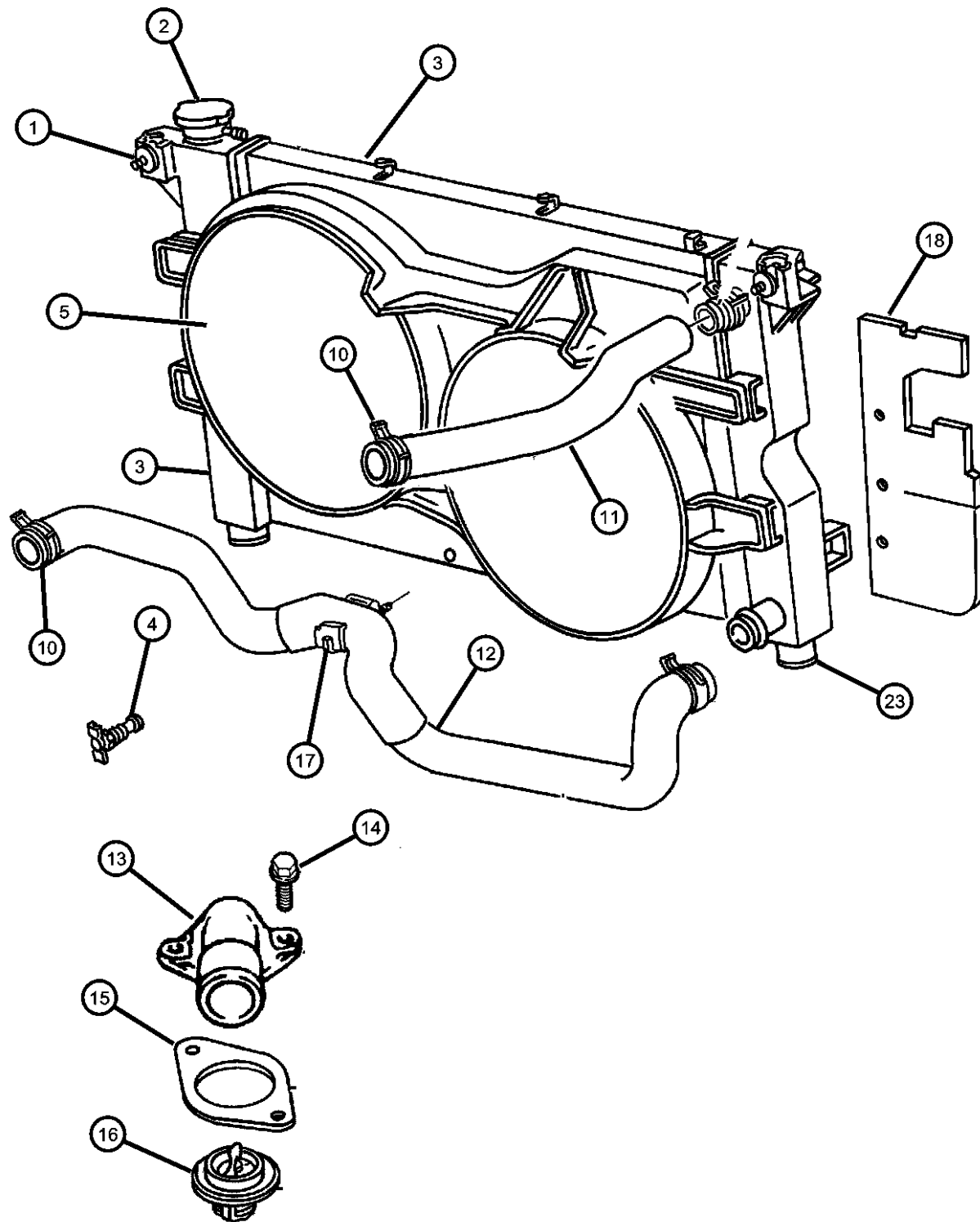
Radiator and Related Parts
Figure 7-150



ITEM	PART NUMBER	QTY	LINE	SERIES	BODY	ENGINE	TRANS	TRIM	DESCRIPTION
NOTE Sales Code									
ENC = ENGINE - 2.5L 4 CYL TURBO DIES									
EN0 = ENGINES - ALL 4 CYL TURBO DIES									
1	04720658	8				ENC			SCREW, Intake Manifold Elbow
2	04723204	4				ENC			WASHER, Implement Attaching
3	04864686	1				ENC			COVER, Thermostat Housing
4	04797803	1				ENC			GASKET, Thermostat
5	04778975	1				ENC			THERMOSTAT
6	04863746	1				ENC			HOUSING, Thermostat
7	04864685	2				ENC			CLIP
8	04864030	1				ENC			HOSE, Bypass
9	04797761	1				ENC			P CLIP
10	04778936	7				ENC			NUT, Suction Pipe Attaching
11	04863801	1				ENC			STUD
12	04778971	1				ENC			GASKET, Thermostat
13	04797764	3				ENC			STUD, M6x14
14	04798013	1				EN0			RADIATOR, Engine Cooling
15	04798016	1				EN0			FAN MODULE, Radiator Cooling
-16	04707408AB	1				ENC			BRACKET, EVM, Radiator Fan, Glow Plug
-17	04798014	1				EN0			COOLER, Charge Air
18	04682384	1				EN0			HOSE AND CLAMP, Radiator Inlet
19	04682383	1				EN0			HOSE AND CLAMP, Radiator Outlet
20	04401999	2				EN0			CLAMP, Radiator
21	06502081	1				EN0			CLAMP, Oil Cooler Line
22	04809070	2				EN0			ISOLATOR, RadiatorUpper
23	04773821	1				EN0			DRAINCOCK, Radiator
-24	04592113	2				EN0			ISOLATOR, RadiatorLower

AR = use ase required - = Non illustrated part

**Radiator and Related Parts
Figure 7-175**

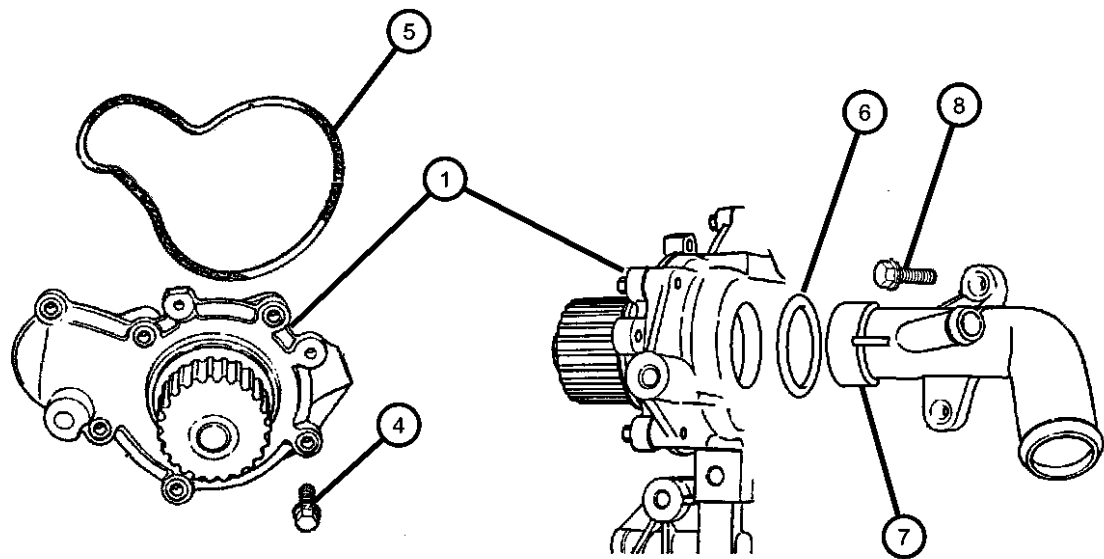


ITEM	PART NUMBER	QTY	LINE	SERIES	BODY	ENGINE	TRANS	TRIM	DESCRIPTION
NOTE Sales Code									
EG0 = ENGINES - ALL 3.3L,3.5L, & 3.8									
EGA = ENGINE - 3.3L V6 MPI									
EGH = ENGINE - 3.8L V6 MPI									
EDZ = ENGINE - 2.4L 4 CYL DOHC 16V S									
DGL = TRANSMISSION - AUTOMATIC 4-SPD									
1	04809070	2				EG0			ISOLATOR, RadiatorUpper
2	03781830	1				EG0			CAP, Radiator
3									RADIATOR, Engine Cooling
	04682587	1				EG0			Module 4809675
	05066386AA								Mopar Coolant 5 Year/100,000 Mile Formula 1 Gallon
	04682626	1				EGA, EGH	DGL		Module 4809261AA
4	04644269	1				EG0			DRAINCOCK, Radiator
5	04682624	1				EG0			FAN MODULE, Radiator Cooling
-6	04677365	1				EG0			SEAL, Crossmember
-7	04546552	3				EG0			U-NUT, Module
-8	04546093	2				EG0			CLIP, Shroud
-9	04734927	2				EG0			CLIP, Radiator Fan Shroud
10	04401439	1				EG0			CLAMP, Radiator
11	04809417	1				EG0			HOSE AND CLAMP, Radiator Inlet
12	04682398	1				EG0			HOSE AND CLAMP, Radiator Outlet
13	04621162	1				EGH			HOUSING, Thermostat
14									SCREW AND WASHER, Hex Head, M8x1.25x30
	06101462	2				EGA			
		2				EGH			
15									GASKET, Thermostat
	04179895	1				EGA			
		1				EGH			
16									THERMOSTAT, Water Pump, 195 Degrees
	04573560	1				EGA			
		1				EGH			
17	04682807	1				ECB, ED0, EG0			CLIP, Radiator Outlet Hose
18	04682962	1				EG0			SEAL, Air Conditioning UnitRight
-19	04809135AA	1				EGA, EGH	DGL		SEAL, Radiator Side AirLeft
-20	04676881	6				EC0, ED0, EG0			RETAINER, Condenser Seal
-21	04592114	1							LABEL, Fan Caution
-22	04663972	1				EGA, EGH			LABEL, Belt Routing
23	04809071	2				EG0			ISOLATOR, RadiatorLower

AR = use ase required - = Non illustrated part

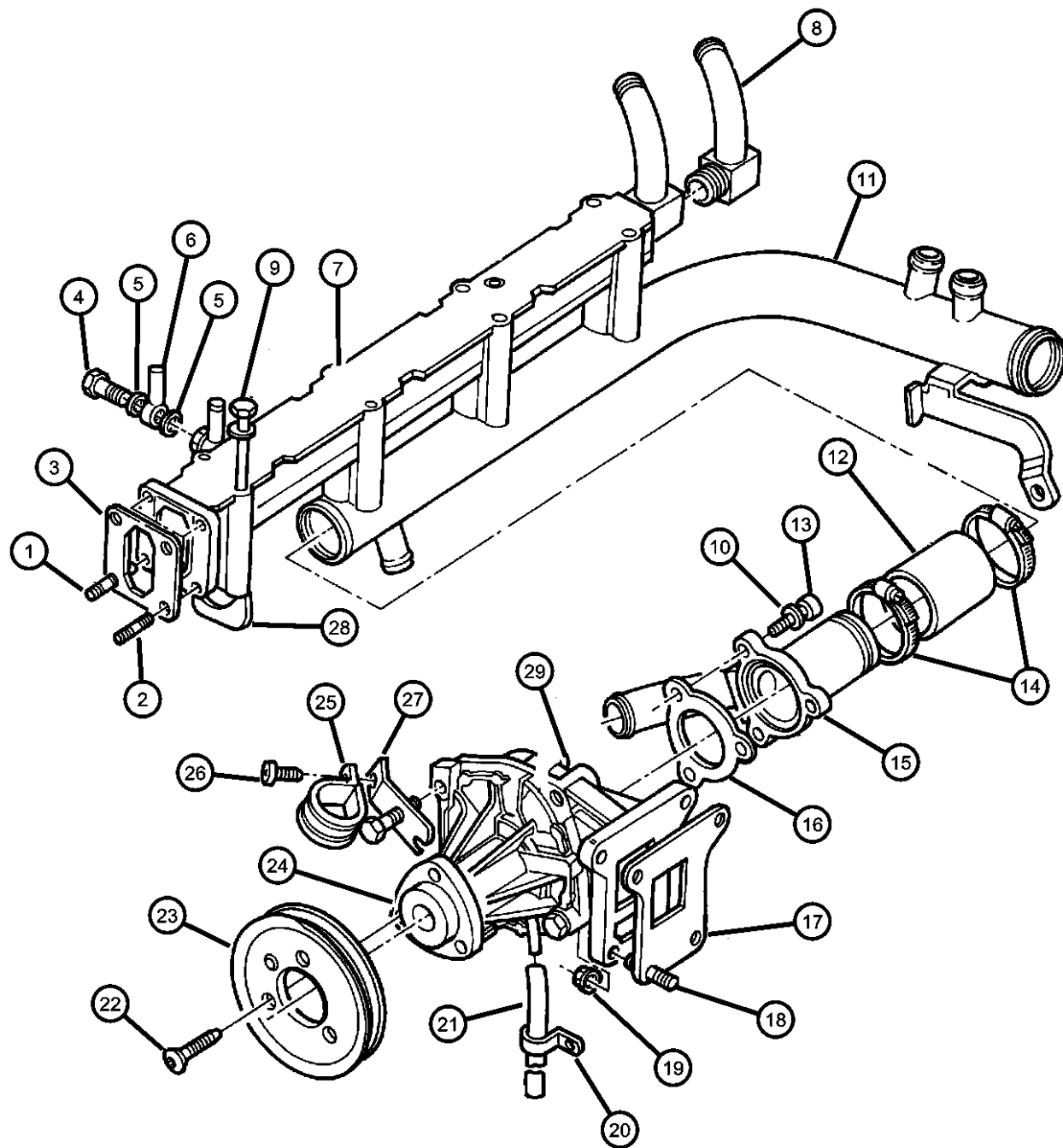
Water Pump and Related Parts, 2.0L-2.4L Engine
Figure 7-207

ITEM	PART NUMBER	QTY	LINE	SERIES	BODY	ENGINE	TRANS	TRIM	DESCRIPTION
NOTE Sale Code									
ECB = ENGINE - 2.0L 4 CYL SOHC 16V S									
EDZ = ENGINE - 2.4L 4 CYL DOHC 16V S									
DD3 = TRANSMISSION - MANUAL 5-SPEED									
DGL = TRANSMISSION - AUTOMATIC 4-SPD									
1									PUMP, Water
	04667660	1				ECB			
	04694307	1				EDZ			
-2	04621652	1				EDZ			NIPPLE, Pump
-3	04621653	1				ECB			NIPPLE, Heater Return
4									BOLT, Hex Head, M6x1.0x22
	06503255	6				ECB			
		4				EDZ			
5	04621564	1				EDZ			SEAL, Water Pump Body
6									O RING, Water Inlet Tube
	04777173	1				ECB			
	06503180	1				EDZ			
7									TUBE, Water Inlet
	04621491	1				EDZ			
	04777171	1				ECB			
8	06100274	2				EDZ			BOLT AND CONED WASHER, Hex Head, M6x14x14
-9									HOSE, Heater Return
	04694341	1				EDZ	DD3		
		1				EDZ	DGL		



AR = use ase required - = Non illustrated part

Water Pump and Related Parts, 2.5L Diesel Engine
Figure 7-210



ITEM	PART NUMBER	QTY	LINE	SERIES	BODY	ENGINE	TRANS	TRIM	DESCRIPTION
NOTE Sales Code									
ENC = ENGINE - 2.5L 4 CYL TURBO DIES									
1	04863801	1				ENC			STUD
2	04797764	3				ENC			STUD, M6x14
3	04778971	1				ENC			GASKET, Thermostat
4	04720358	5				ENC			BOLT, Banjo
5	04720554	12				ENC			WASHER, Banjo
6	04720439	1				ENC			BANJO, Air Bleed
7	04863740	1				ENC			TUBE, Water Pump Inlet
8	04864026	1				ENC			TUBE, Heater
9	04883401AA	1				ENC			SCREW, Hex Head
10	04720305	11				ENC			WASHER, Plain
11	04863939	1				ENC			PIPE, Water Return
12	04720437	1				ENC			HOSE, Water Return Pipe
13	04720551	3				ENC			SCREW, Water Pump To Pipe
14	04723208	2				ENC			CLAMP, Radiator
15	04883412AA	1				ENC			ADAPTER, Water Pump
16	04720451	1				ENC			GASKET, Water Pump
17	04864575	1				ENC			GASKET, Water Pump
18	04720550	4				ENC			STUD, Water Pump To Block
19	04778961	26				ENC			NUT
20	04864687	1				ENC			CLIP
21	04720438	1				ENC			PIPE, Water Pump Drain
22	04864559	3				ENC			SCREW
23	04863877	1				ENC			PULLEY, Water Pump
24	04864566	1				ENC			PUMP, Water
25	04863798	1				ENC			P CLIP
26	04864550	41				ENC			SCREW
27	04863865	1				ENC			BRACKET, Hose
28	04720450	4				ENC			GASKET, Water Manifold
29	04723198	1				ENC			O RING, Water Pump

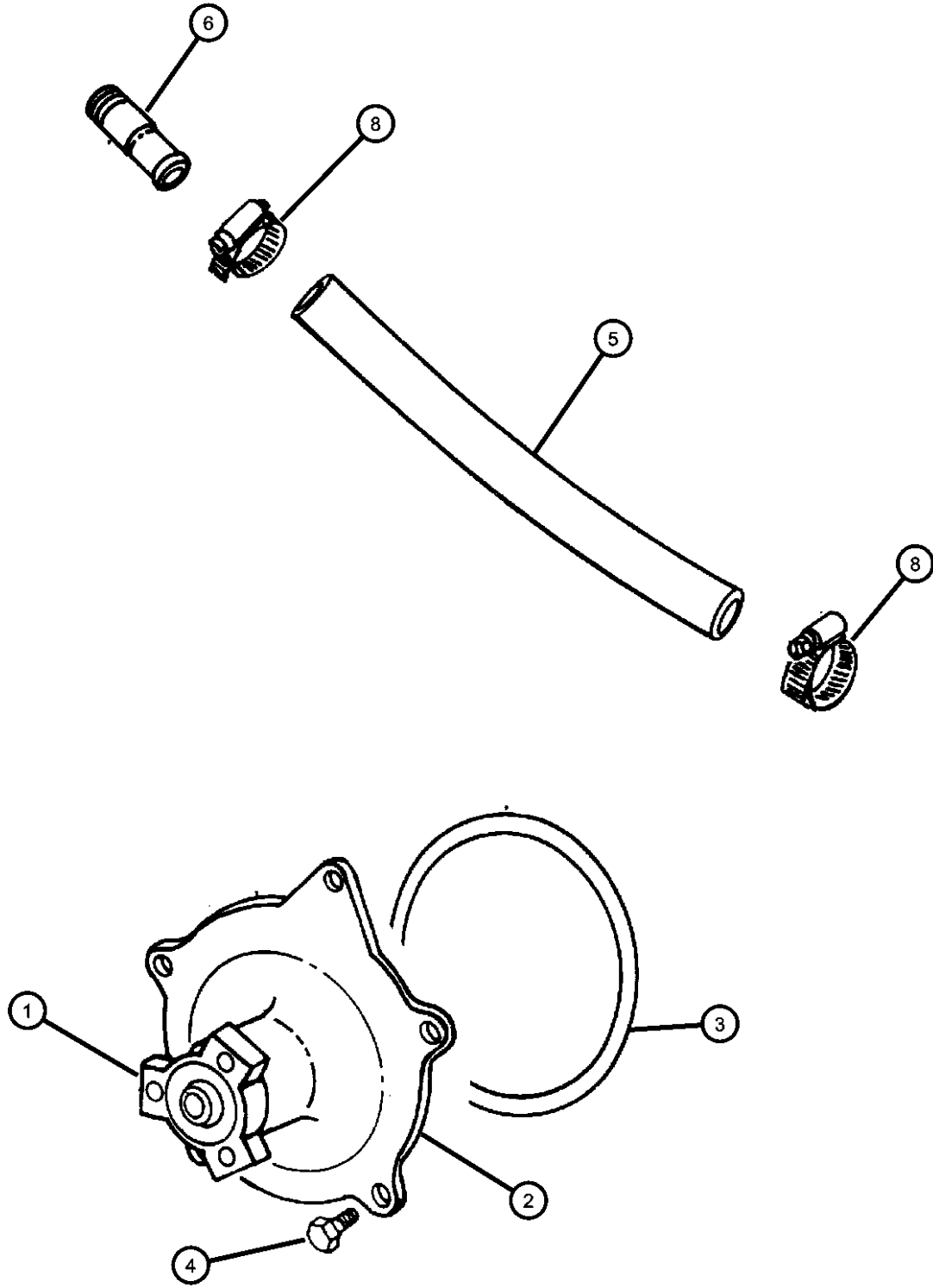
AR = use ase required - = Non illustrated part

**Water Pump and Related Parts, 3.3L-3.8L Engine
Figure 7-225**

ITEM	PART NUMBER	QTY	LINE	SERIES	BODY	ENGINE	TRANS	TRIM	DESCRIPTION
------	-------------	-----	------	--------	------	--------	-------	------	-------------

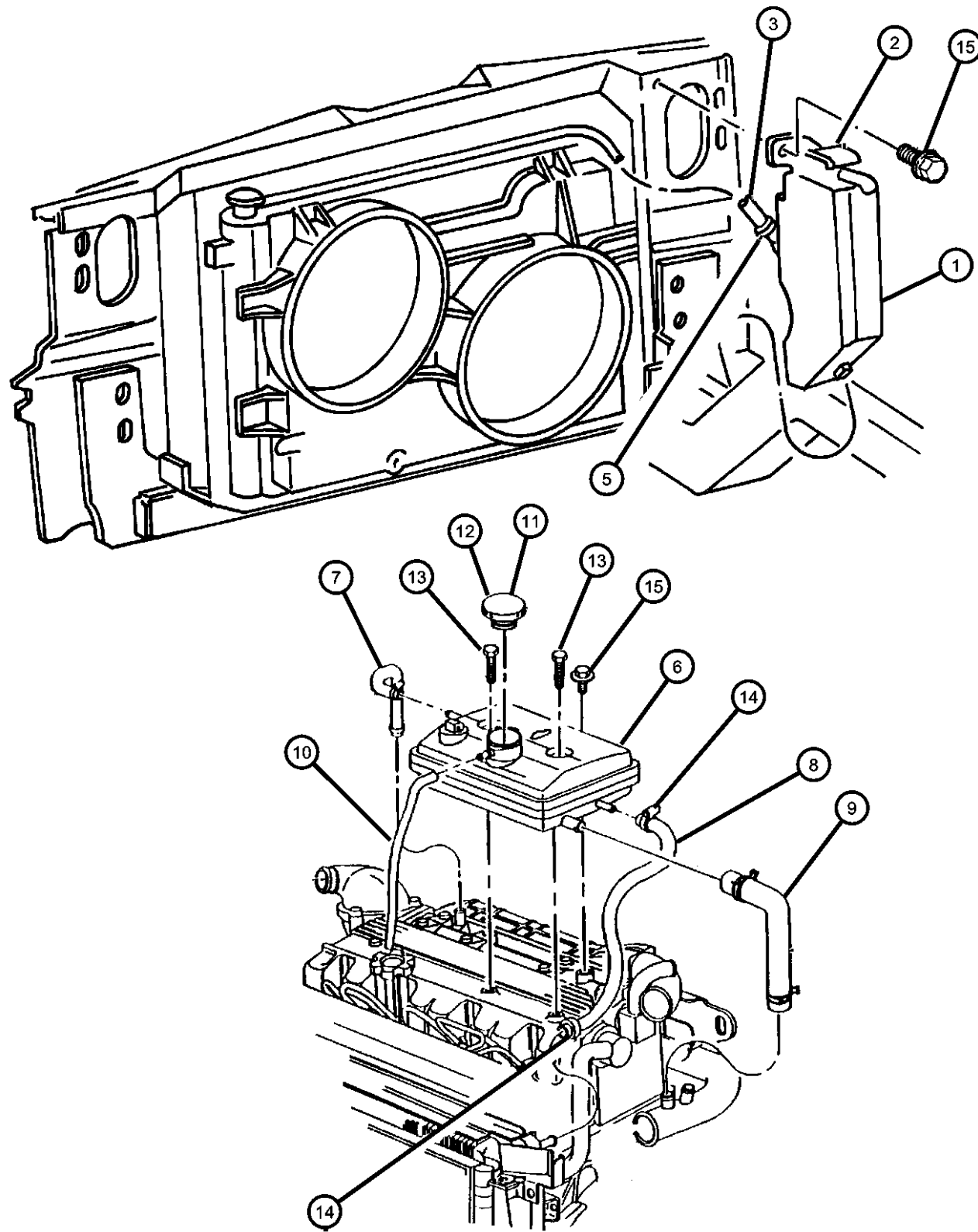
NOTE Sales Code
 EGA = ENGINE - 3.3L V6 MPI
 EGH = ENGINE - 3.8L V6 MPI

1									HUB, Water Pump Pulley
	04483629	1				EGA			
		1				EGH			
2									PUMP PACKAGE, Water
	04654392AB	1	C, Y, Z			EGA			
	R5010898AB								Mopar Reman Water Pump
		1	C, Y, Z			EGH			
	R5010898AB								Mopar Reman Water Pump
3									SEAL, Water Pump To Front Cover
	04694474	1	C, Y, Z			EGA			
		1	C, Y, Z			EGH			
4									SCREW AND WASHER, Hex Head, M6x1x25
	06101451	5				EGA			
		5				EGH			
5									HOSE, By-Pass
	04694449	1				EGA			
		1				EGH			
6									NIPPLE, Pump
	04621652	2				EGA			
		2				EGH			
-7	04694134	1	C, Y, Z			EGA			PLUG, Water Pump Reservoir
8	06502017	2				EGA, EGH			CLAMP, Heater Hose
-9	04677371	1				EGA, EGH			HOSE, Oil Cooler To Pump



AR = use ase required - = Non illustrated part

**Coolant Reserve Tank
Figure 7-330**

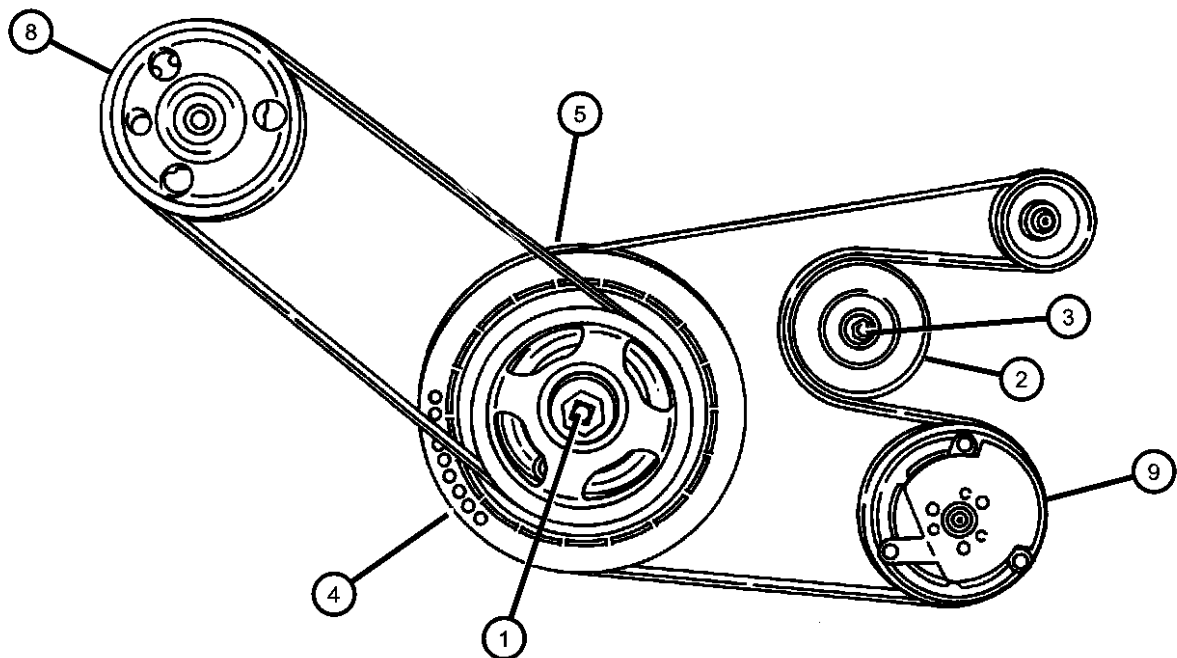


ITEM	PART NUMBER	QTY	LINE	SERIES	BODY	ENGINE	TRANS	TRIM	DESCRIPTION
NOTE Sales Code									
ECB = ENGINE - 2.0L 4 CYL SOHC 16V									
ED0 = ENGINES - ALL 2.2,2.5,2.4L									
EGO = ENGINES - ALL 3.3L,3.5L, & 3.8									
EDZ = ENGINE - 2.4L 4 CYL DOHC 16V									
EGA = ENGINE - 3.3L V6 MPI									
EGH = ENGINE - 3.8L V6 MPI									
ENC = ENGINE - 2.5L 4 CYL TURBO DIES									
EN0 = ENGINES - ALL 4 CYL TURBO DIES									
DD0 = TRANSMISSIONS - ALL MANUAL 5-S									
DDF = TRANSMISSION - MANUAL 5-SPEED									
DD3 = TRANSMISSION - MANUAL 5-SPEED									
DGL = TRANSMISSION - AUTOMATIC 4-SPD									
1	04682294	1				ECB, ED0, EGO			TANK, Coolant Reserve
2	04682828	1				ECB, ED0, EGO			CAP, Coolant Reserve Tank
3	04266423	1				ECB, ED0, EGO			HOSE, Overflow, Roll Stock
-4	04364392	1				ECB, ED0, EGO			TUBE, Convoluted
5	02448761	1				ECB, ED0, EGO			CLAMP, Hose
6	04809061AC	1				EN0			BOTTLE, Pressurized Coolant
7	04682864	1				EN0			HOSE, Enigine To Coolant Tank
8	04682871	1				EN0			HOSE, Radiator to Reservoir
9	04682884	1				EN0			HOSE, Coolant Tank To Pump
10	04682921	1				EN0			HOSE, Coolant Overflow
11	03781830	1				EDZ, EGA, EGH	DGL		CAP, Radiator
	04596198	1				ECB, EDZ	DD0		
	04596198	1				EN0			CAP, Pressurized Coolant
12	04596198	1				EN0			CAP, Pressurized Coolant
13	06101614	2				EN0			SCREW AND WASHER, Hex Head, M8x1.25x45
14	06502081	4				EN0			CLAMP, Oil Cooler Line
15	06502081	4							SCREW, (NOT SERVICED)

AR = use ase required - = Non illustrated part

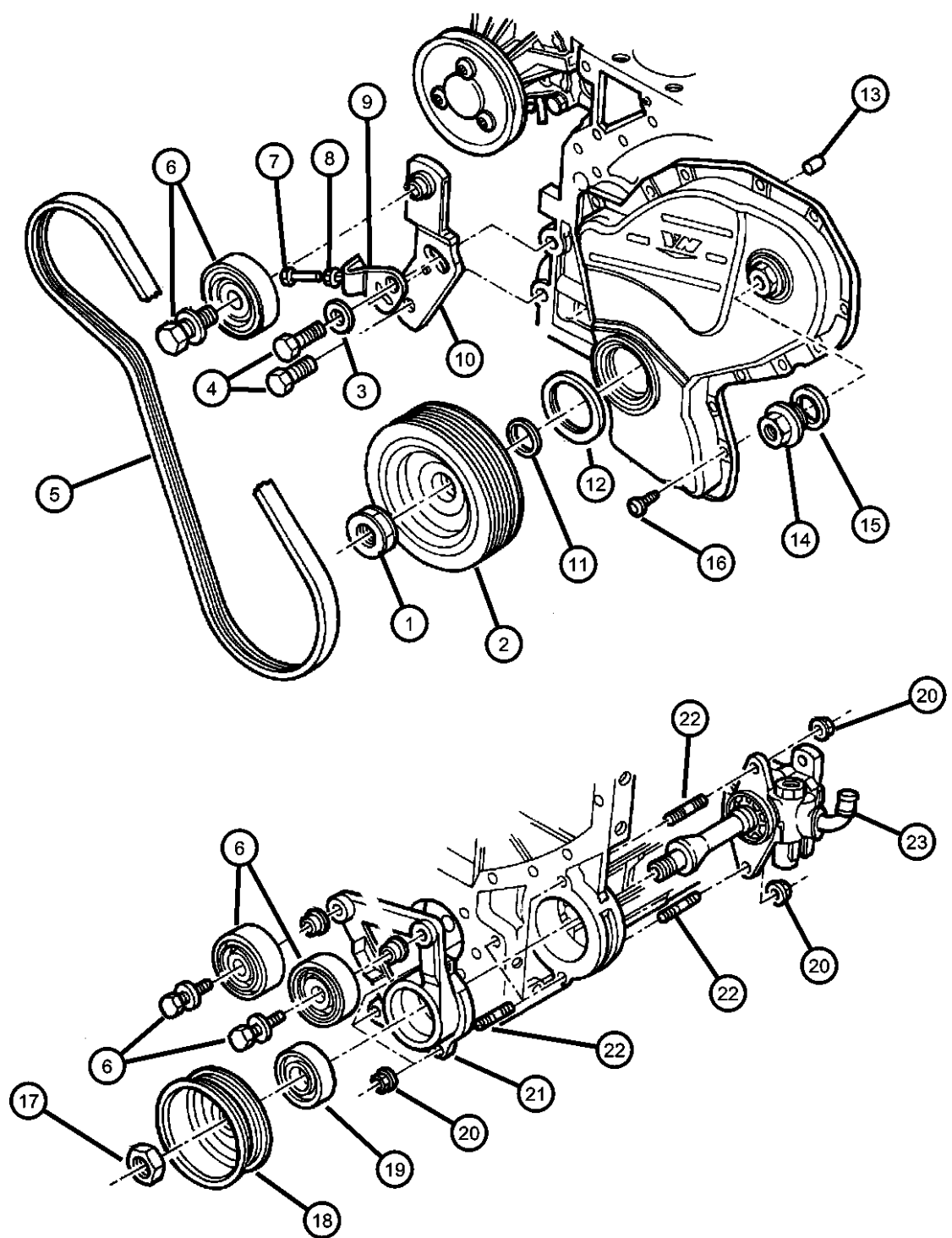
Pulleys and Related Parts
Figure 7-404

ITEM	PART NUMBER	QTY	LINE	SERIES	BODY	ENGINE	TRANS	TRIM	DESCRIPTION
NOTE Sales Code									
ECB = ENGINE - 2.0L 4 CYL SOHC 16V									
EDZ = ENGINE - 2.4L 4 CYL DOHC 16V									
ENC = ENGINE - 2.5L 4 CYL TURBO DIES									
DD3 = TRANSMISSION - MANUAL 5-SPEED									
DGL = TRANSMISSION - AUTOMATIC 4-SPD									
1									BOLT, Hex Flange Head, M12x1.75x87.50
	06503553	1				ECB			
		1				EDZ			
2									PULLEY, Idler
	04792112	1				ECB			
		1				EDZ			
3									BOLT AND WASHER, Hex Head, M10x1.5x35
	06101514	3				EDZ			
		2				ECB			
4	04694268	1				EDZ			DAMPER, Engine Vibration
5	04667765	1				ECB			DAMPER, Crankshaft
-6	33002201	1				ECB, EDZ			BUSHING, Idler Pulley
-7									SHIELD, Accessory Drive
	04716636	1				EDZ, ENC			
	04860291	1				ECB			
8									PULLEY, Power Steering Pump
	04573747	1				ECB			
	04612383	1				EDZ			
9	04720834	1				EDZ			PULLEY, A/C Compressor



AR = use ase required - = Non illustrated part

Pulleys and Related Parts
Figure 7-410

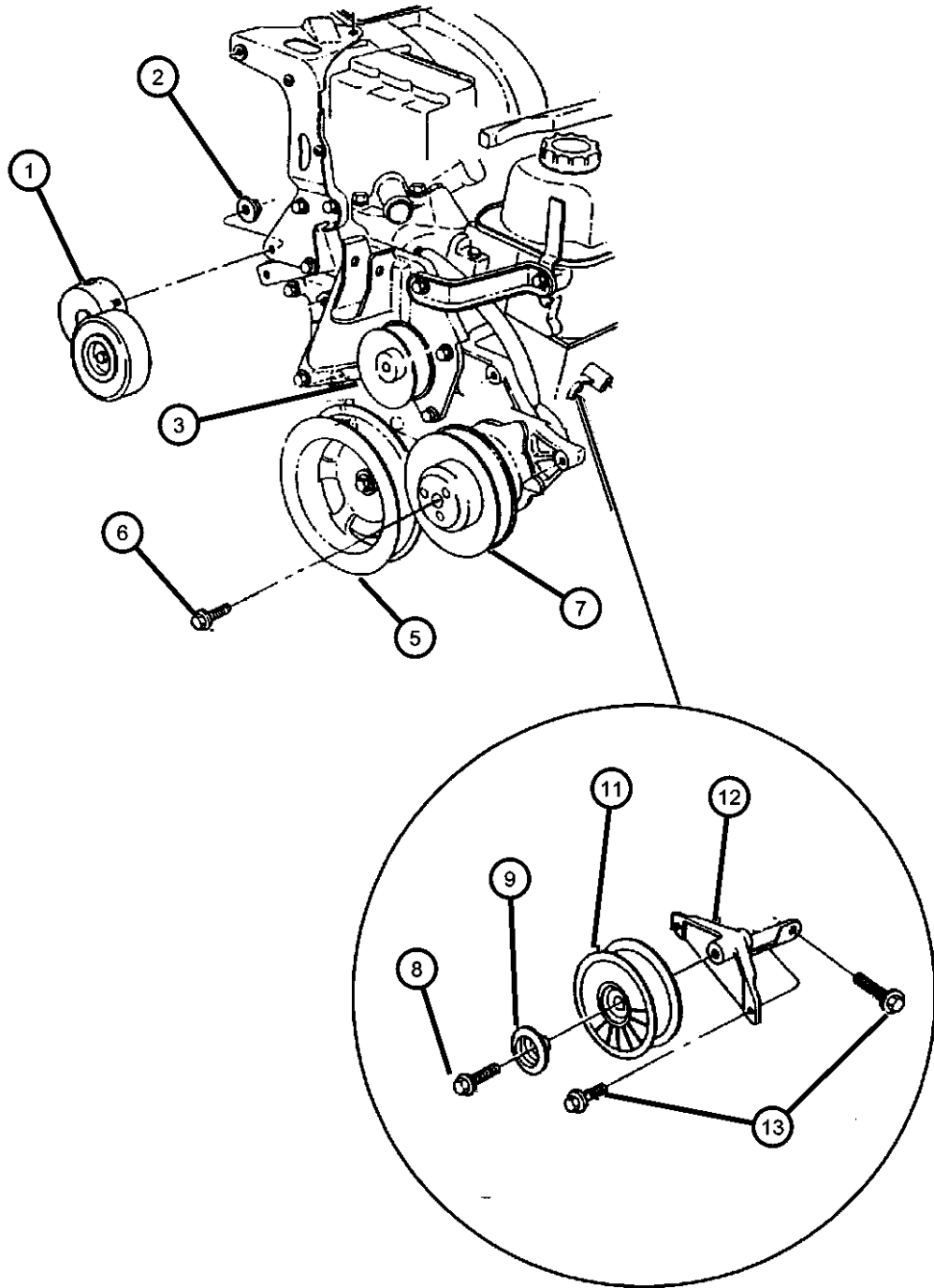


ITEM	PART NUMBER	QTY	LINE	SERIES	BODY	ENGINE	TRANS	TRIM	DESCRIPTION
NOTE: Sales Code									
ENC = ENGINE - 2.5L 4 CYL TURBO DIES									
1	04863778	1				ENC			UNION
2	04863791	1				ENC			PULLEY, Crankshaft
3	04864684	1				ENC			WASHER
4	04897488AA	1				ENC			BOLT, Alternator Bracket
5	04863835	1				ENC			BELT, Accessory Drive
6	04883411AA	2				ENC			PULLEY, Idler
7	04863806	1				ENC			BOLT
8	04778936	7				ENC			NUT, Suction Pipe Attaching
9	04863872	1				ENC			BRACKET, Idler Pulley
10	04883822AA	1				ENC			SUPPORT, Idler Pulley
11	04863833	1				ENC			O RING
12	04720291	1				ENC			SEAL, Timing Belt Cover
13	04720304	1				ENC			DOWEL, Front Cover
14	04778839	1				ENC			COVER, Timing Belt
15	04720290	1				ENC			GASKET, Engine Oil Plug
16	04864550	41				ENC			SCREW
17	04882624	1				ENC			NUT
18	04882625	1				ENC			PULLEY, Power Steering Pump
19	04723339	1				ENC			BEARING, Power Steering Pump Shaft
20	04778961	26				ENC			NUT
21	04863867	1				ENC			BRACKET
22	04723331	5				ENC			STUD, M8x25
23	04883370AB	1	C, Y, Z			ENC			PUMP, Power Steering

AR = use ase required - = Non illustrated part

Pulleys and Related Parts
Figure 7-425

ITEM	PART NUMBER	QTY	LINE	SERIES	BODY	ENGINE	TRANS	TRIM	DESCRIPTION
NOTE: Sales Code EGA = ENGINE - 3.3L V6 MPI EGH = ENGINE - 3.8L V6 MPI EG0 = ENGINES - ALL 3.3L, 3.5L, & 3.8									
1	04612894AB	1	C, Y, Z			EGA, EGH			TENSIONER, Belt
2	06101448	1				EG0			NUT AND WASHER, Hex Nut-Coned Washer, M10 x 1.5 PULLEY, Idler
3									
	04792112	1				EGA			
		1				EGH			
-4									BUSHING, Idler Pulley
	33002201	1				EGA			
		1				EGH			
5									DAMPER, Crankshaft
	04448886	1				EGA			
		1				EGH			
6									BOLT AND CONED WASHER, M8x1.25x18
	06101506	3				EGA			
		3				EGH			
7									PULLEY, Water Pump
	04612172	1				EGA			
		1				EGH			
8	06101054	1				EGA, EGH			BOLT AND WASHER, Hex Head, M10x1.5x40
9	04536085	1				EGA, EGH			SHIELD, Idler
-10	04674640	1				EGA, EGH			SHIELD, Accessory Drive
11	04483221	1				EGA, EGH			PULLEY, Idler, w/o A/C
12	04483219	1				EGA, EGH			BRACKET, Idler Pulley
13	06101524	1				EGA, EGH			BOLT AND WASHER, Hex Head, M10x1.5x30

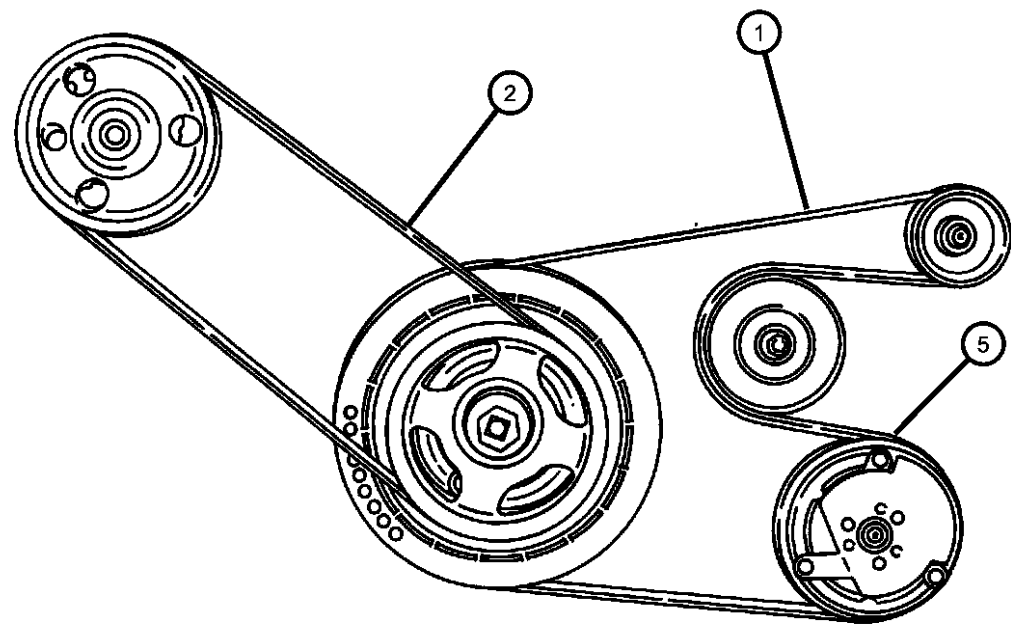


AR = use ase required - = Non illustrated part

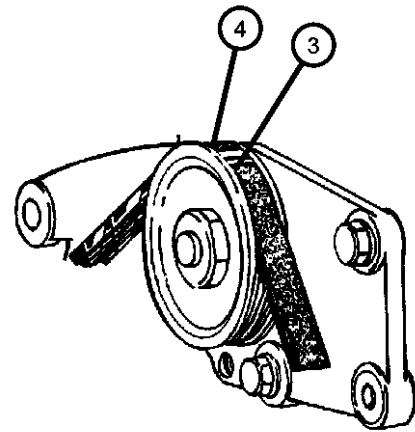
Drive Belts
Figure 7-520

ITEM	PART NUMBER	QTY	LINE	SERIES	BODY	ENGINE	TRANS	TRIM	DESCRIPTION
------	-------------	-----	------	--------	------	--------	-------	------	-------------

NOTE: Sales Code
 EDZ = ENGINE - 2.4L 4 CYL DOHC 16V S
 ECB = ENGINE - 2.0L 4 CYL SOHC 16V
 ENC = ENGINE - 2.5L 4 CYL TURBO DIES
 EDZ = ENGINE - 2.4L 4 CYL DOHC 16V S



1	04612669	1				EDZ			BELT, Alternator Drive
	04861017	1				ECB			Heater
	04861400	1				EDZ			A/C
2	04663182	1				ECB			BELT, Power Steering
	04861401	1				EDZ			
3	04612716	1				ENC			BELT, Alternator
	04612716AB	1				ENC			50/120 Amp Alternator, Up to 5/10/97
									50/120 Amp Alternator, After 5/10/97
4	04573974	1				ECB			BELT, Accessory Drive
5	04573974	1							BELT, Air Conditioning, (NOT REQUIRED)
-6	04861044	1				ECB, EDZ			LABEL, Belt Routing



AR = use ase required - = Non illustrated part

Drive Belts
Figure 7-530

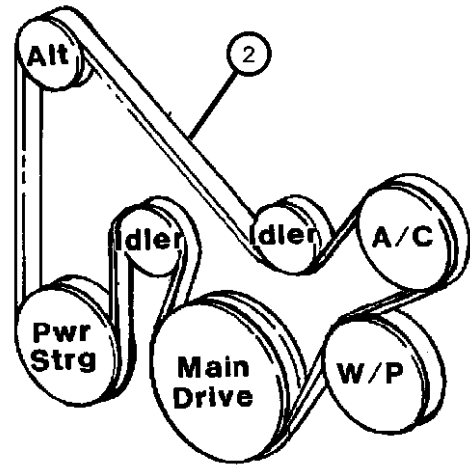
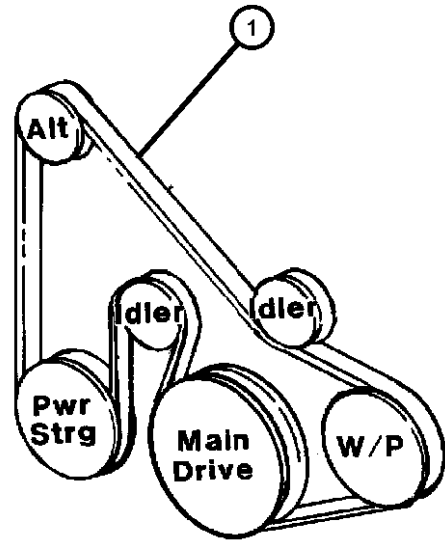
ITEM	PART NUMBER	QTY	LINE	SERIES	BODY	ENGINE	TRANS	TRIM	DESCRIPTION
------	-------------	-----	------	--------	------	--------	-------	------	-------------

NOTE Sales Code

EGA = ENGINE - 3.3L V6 MPI

EGH = ENGINE - 3.8L V6 MPI

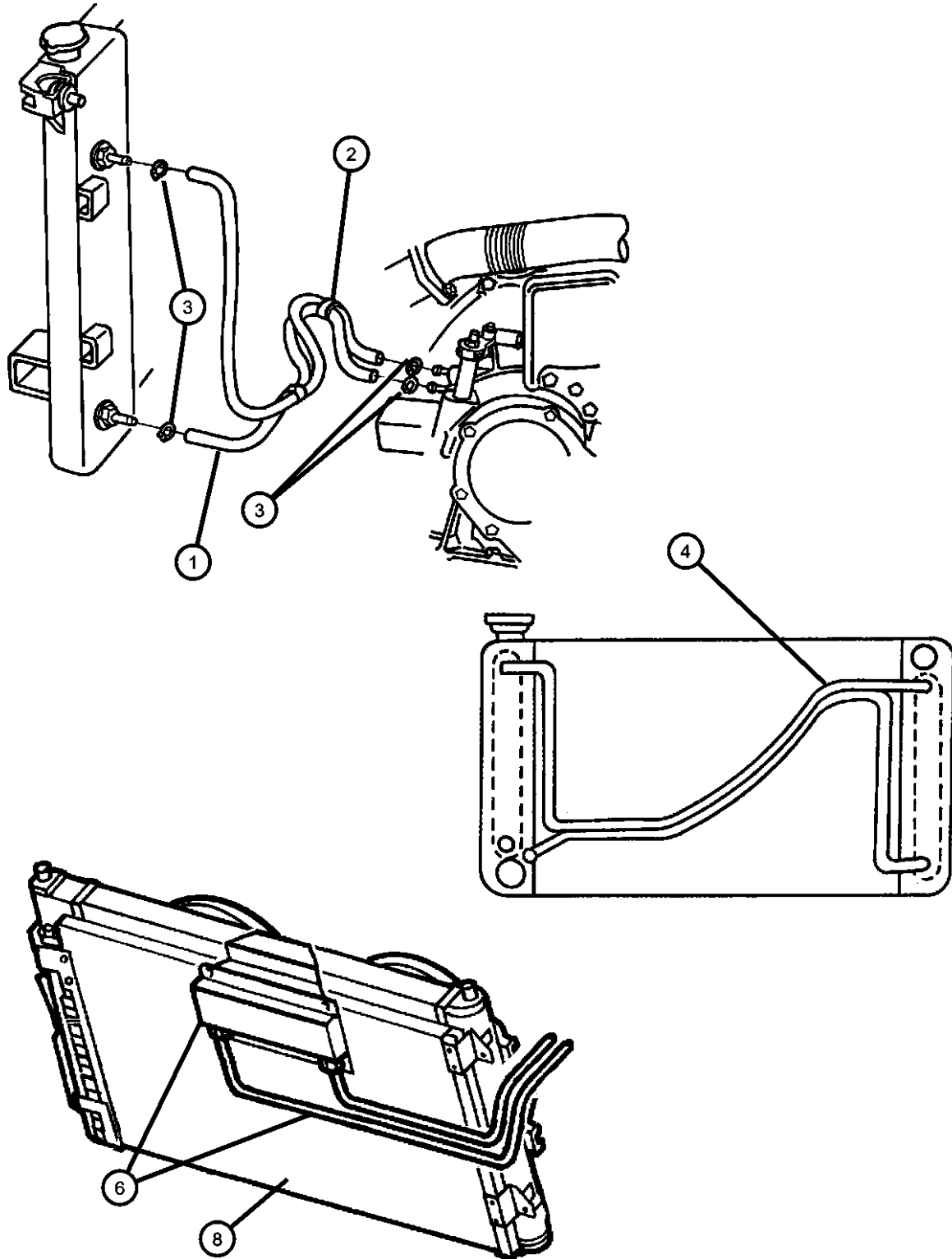
1	04612828	1				EGA, EGH			BELT, Accessory Drive, w/o A/C
2	04861322	1				EGA, EGH			BELT, A/C Compressor, w/ A/C
	SBK38379AA								Mopar 3.3L/3.8L Serpentine Belt Kit (includes Double Sided Belt, Tensioner & Idler Pulley)



AR = use ase required - = Non illustrated part

**Cooler and Lines
Figure 7-630**

ITEM	PART NUMBER	QTY	LINE	SERIES	BODY	ENGINE	TRANS	TRIM	DESCRIPTION
------	-------------	-----	------	--------	------	--------	-------	------	-------------



NOTE: Sales Code
 EGA = ENGINE - 3.3L V6 MPI
 EGH = ENGINE - 3.8L V6 MPI
 EG0 = ENGINES - ALL 3.3L, 3.5L, & 3.8
 EDZ = ENGINE - 2.4L 4 CYL DOHC 16V S
 ED0 = ENGINES - ALL 2.2, 2.5, 2.4L
 DGL = TRANSMISSION - AUTOMATIC 4-SPD

1									HOSE, Transmission Oil Cooler
	04809262AA	1				EG0	DGL		
	04809380	1				EG0			Heavy Duty
		1				EDZ	DGL		
2	52027775	4				EDZ, EGA, EGH	DGL		CLIP, Oil Tube
3									CLAMP, Oil Cooler
	06032839	4				EDZ	DGL		
		3				EG0			
4	04682741	1				EDZ, EGA, EGH	DGL		TUBE AND HOSE, Oil Cooler
-5	04809136AA	1				EGA, EGH	DGL		HOSE, Transmission Oil Cooler/Intermediate
6	04809133AA	1				EGA, EGH	DGL		COOLER, Auxiliary Oil, w/Tubes
-7									SEAL, Radiator Side Air
	04682961	1				EDZ, EGA, EGH	DGL		
		1				EG0			
		1				ECB, ED0			
8	04809129AA	1							CONDENSER, Air Conditioning

AR = use ase required - = Non illustrated part

Group - 8

Electrical

Group - 8 Electrical

Illustration Title

Group-Fig. No.

Starters

Starters, All Engines Fig. 8 - 105

Alternators

Alternators, All Engines Fig. 8 - 202

Modules

Modules, Electronic Fig. 8 - 445

Relays

Power Distribution Center, Junction Box, Relays & Fuses Fig. 8 - 545

Sensors

Sensors Fig. 8 - 645

Single Board Engine Controllers

Single Board Engine Controllers Fig. 8 - 745

Switches

Switches Fig. 8 - 845

Horns

Horns Fig. 8 - 904

Battery Tray and Cables

Battery Trays And Cables Fig. 8 - 1015

Lamps - Front, Rear and Courtesy

Lamps, Front Fig. 8 - 1156

Lamps, Rear Fig. 8 - 1157

Lamps, Cargo, Dome, Courtesy Fig. 8 - 1158

Sockets And Bulbs Fig. 8 - 1180

Wiring-Engine & Related Parts

Wiring, Engine And Related Parts Fig. 8 - 1242

Wiring-Headlamp to Dash

Headlamp to Dash Wiring Fig. 8 - 1342

Wiring-Instrument Panel

Wiring, Instrument Panel Fig. 8 - 1442

Wiring-Body & Accessories

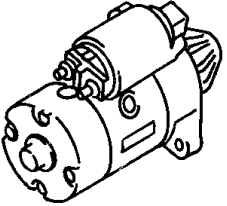
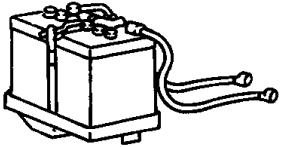
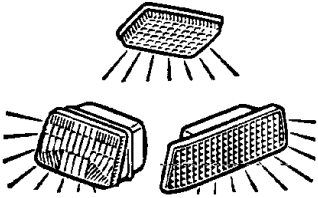
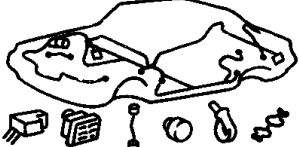


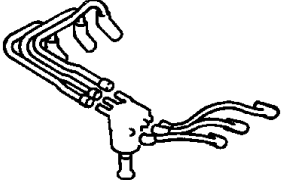
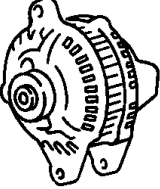
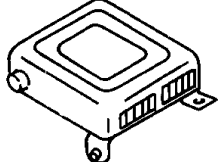

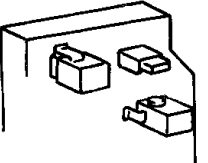
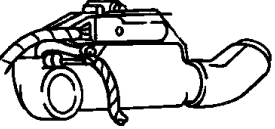
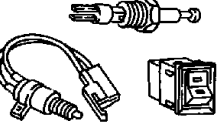
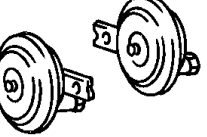
Wiring, Body, Doors & Misc. Wiring Fig. 8 - 1542

Wiring Repair

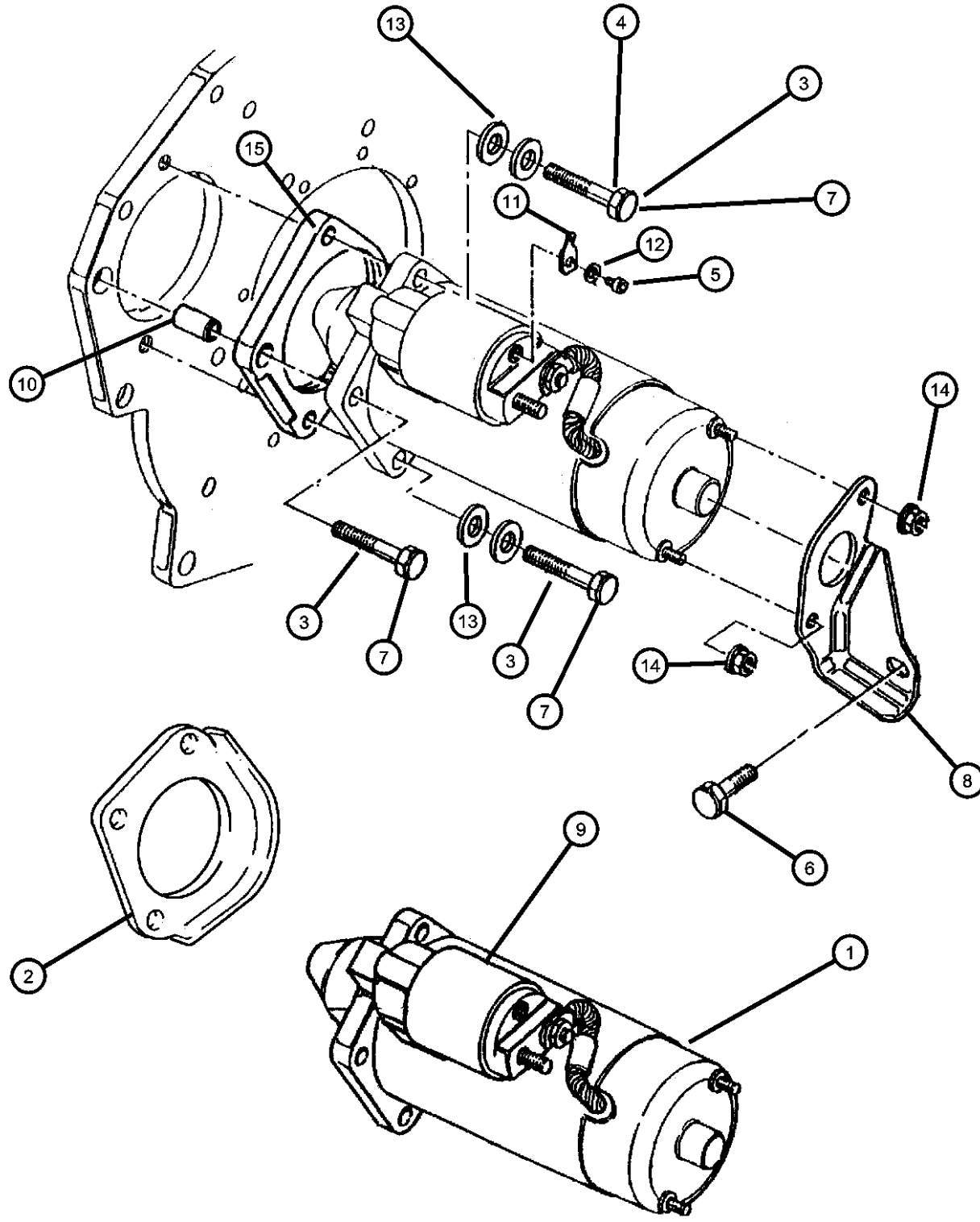
Wiring Repair Packages Fig. 8 - 1605

Spark Plugs-Cables-Coils

Spark Plugs, Cables, Coils Fig. 8 - 1905

<p>008-100 Starters</p> 	<p>008-1000 Battery Tray and Cables</p> 	<p>008-1100 Lamps - Front, Rear and Courtesy</p> 	<p>008-1200 Wiring-Engine & Related Parts</p> 
<p>008-1300 Wiring-Headlamp to Dash</p> 	<p>008-1400 Wiring-Instrument Panel</p> <p>WIRING INSTR. PANEL</p>	<p>008-1500 Wiring-Body & Accessories</p> 	<p>008-1600 Wiring Repair</p> <p>WIRING REPAIR PKG.</p>
<p>008-1900 Spark Plugs-Cables-Coils</p> 	<p>008-200 Alternators</p> 	<p>008-400 Modules</p> 	<p>008-500 Relays</p> 
<p>008-600 Sensors</p> 	<p>008-700 Single Board Engine Controllers</p> 	<p>008-800 Switches</p> 	<p>008-900 Horns</p> 

Starters, All Engines
Figure 8-105



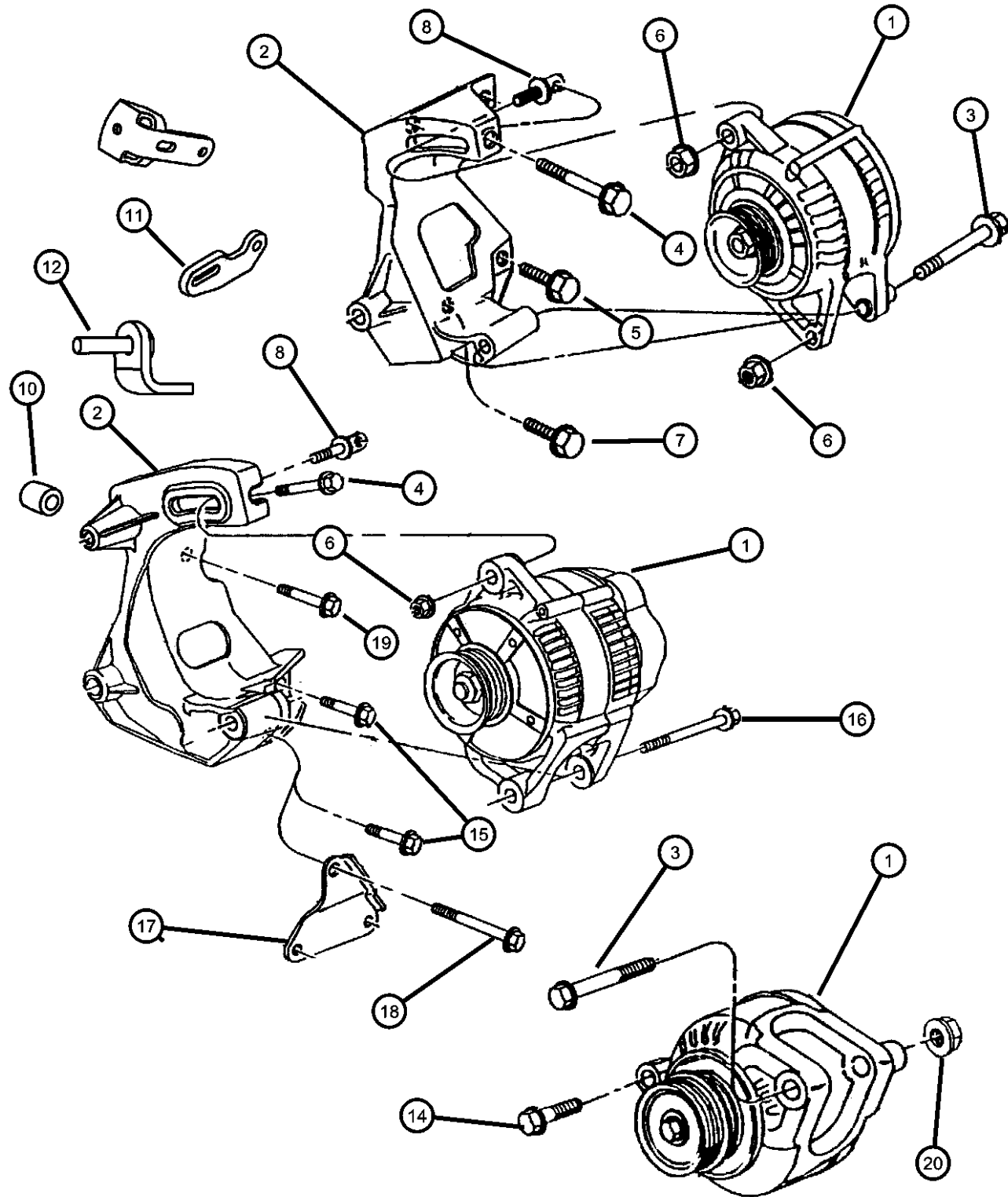
ITEM	PART NUMBER	QTY	LINE	SERIES	BODY	ENGINE	TRANS	TRIM	DESCRIPTION
------	-------------	-----	------	--------	------	--------	-------	------	-------------

NOTE: Sales Code
 EDZ = ENGINE - 2.4L 4 CYL DOHC 16V
 EGA = ENGINE - 3.3L V6 MPI
 EGH = ENGINE - 3.8L V6 MPI
 ECB = ENGINE - 2.0L 4 CYL SOHC 16V
 ENC = ENGINE - 2.5L 4 CYL TURBO DIES
 DD3 = TRANSMISSION - MANUAL 5-SPEED
 DGL = TRANSMISSION - AUTOMATIC 4-SPD
 DDF = TRANSMISSION - MANUAL 5-SPEED

1									STARTER
	04686107	1				EDZ	DD3		
	04686109	1				EGA, EGH	DGL		
	04686111	1				EDZ	DGL		
	04686512AB	1				ECB	DD3, DDF		
	04864693	1				ENC			
2	04531484	1				EGA, EGH			SHIELD, Starter
3	06502954	2				EGA, EGH	DGL		SCREW AND WASHER, Hex Head, M10x1.5x53
4	06502980	3				ECB, EDZ	DD3, DDF		SCREW, Hex Head, M10x1.5x50
5	04723276	1				ENC			SCREW, Starter Solenoid Terminal
6	04723280	1				ENC			BOLT
7	04723291	3				ENC			BOLT, Hex Flange Head, M8x40
8	04863868	1				ENC			BRACKET, Starter
9	04864694	1				ENC			SOLENOID, Starter
10	04720236	1				ENC			DOWEL, Starter
11	04723278	1				ENC			TERMINAL
12									WASHER, Starter Terminal
	04723277	1				ENC			Terminal
	04723281	1				ENC			Starter Bracket
13	04720193	7				ENC			WASHER, Flat
14	04778936	7				ENC			NUT, Suction Pipe Attaching
15	04864045	1				ENC			SPACER, Starter

AR = use ase required - = Non illustrated part

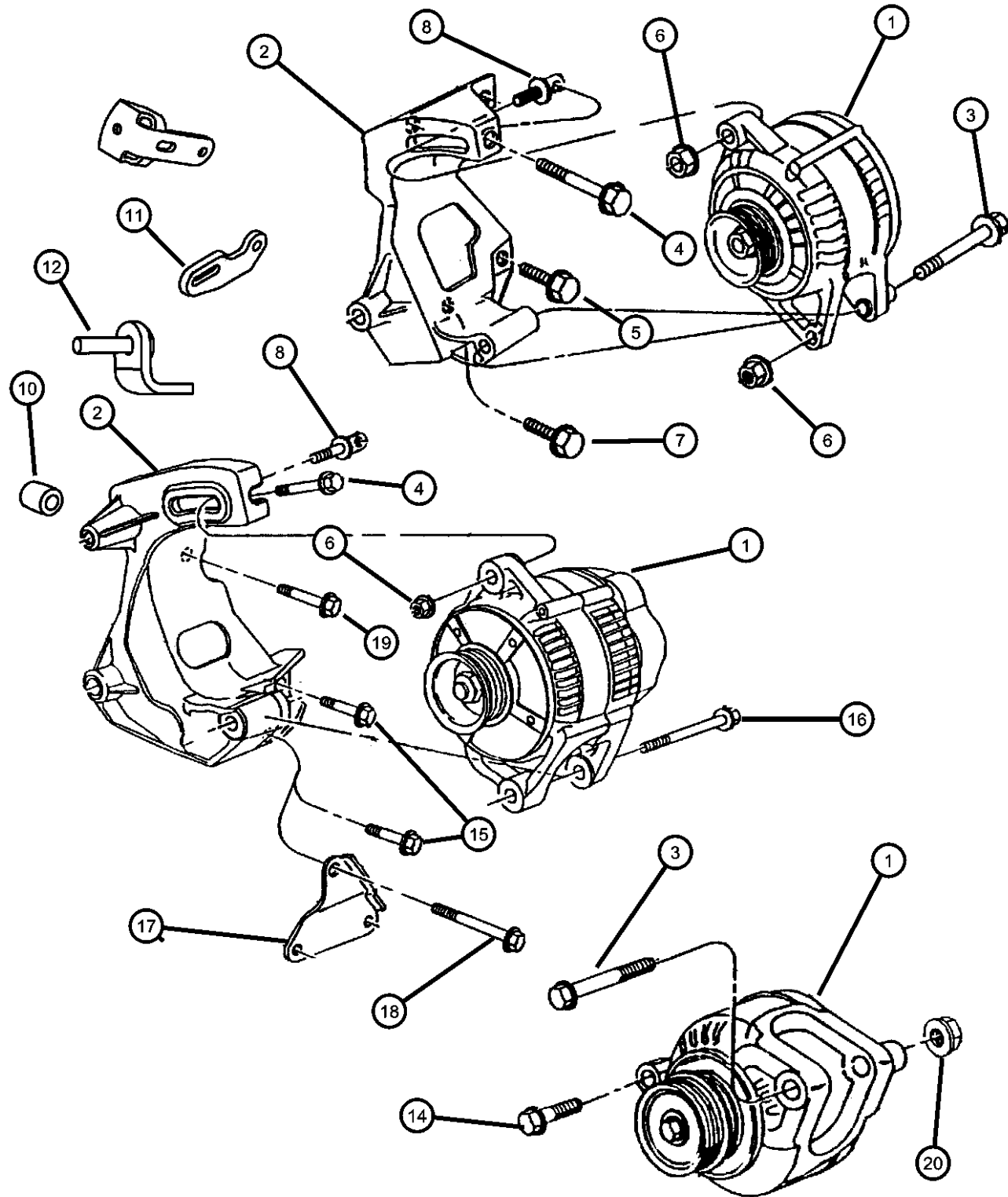
Alternators, All Engines
Figure 8-202



ITEM	PART NUMBER	QTY	LINE	SERIES	BODY	ENGINE	TRANS	TRIM	DESCRIPTION
NOTE : Sales Code									
				ECB =		ENGINE - 2.0L 4 CYL SOHC 16V			
				ENC =		ENGINE - 2.5L 4 CYL TURBO DIES			
				EDZ =		ENGINE - 2.4L 4 CYL DOHC 16V			
				EGA =		ENGINE - 3.3L V6 MPI			
				EGH =		ENGINE - 3.8L V6 MPI			
				EG0 =		ENGINES - ALL 3.3L,3.5L, & 3.8			
1									ALTERNATOR
	04609415	1				ECB			
	04727206	1				ENC			
	04727220	1				EDZ, EGA, EGH			40/90 Ampere
	04727221	1				EDZ, EGA, EGH			50/100 Ampere
2									BRACKET, Alternator
	04612683	1				EGA			Upper Top
		1				EGH			Upper Top
	04612684	1				EGA			Upper Side
		1				EGH			Upper Side
	04792080	1				ECB			
	04861132AA	1				EDZ			
	04861171AA	1				ENC			
3	06101623	1				EDZ			SCREW AND WASHER, Hex Head, M10x1.5x105
4	06502955	1				ECB, EDZ			SCREW AND WASHER, Hex Head, M8x1.25x90
5	06101514	3				EDZ			BOLT AND WASHER, Hex Head, M10x1.5x35
6									NUT AND WASHER, Hex Nut-Coned Washer, M10 x 1.5
	06101448	1				EGA			
		1				EGH			
	06501926	1				EGA, EGH			
7	06101668	1				EDZ			BOLT AND WASHER, Hex Head, M10x1.5x90
8	06504286	1				ECB, EDZ			SCREW, Header Point, M10x1.50x50.00
-9	06502691	1				ECB, EDZ, EG0, ENC			NUT, Hex Flange Lock, M6x1, Alternator B+ Terminal
10									SPACER, Alternator
	04612925	1				ENC			
	04612966	1				ECB			
11	04612922	1				ENC			BRACKET, Alternator Rear
12	04612920	1				ENC			BRACKET, Alternator Adjusting
-13	04897488AA	1				ENC			BOLT, Alternator Bracket
14	06101504	1				EGA, EGH			SCREW AND WASHER, Hex Head, M10x1.5x50
15	06101707	1				ECB			BOLT, M10x1.50x75

AR = use ase required - = Non illustrated part

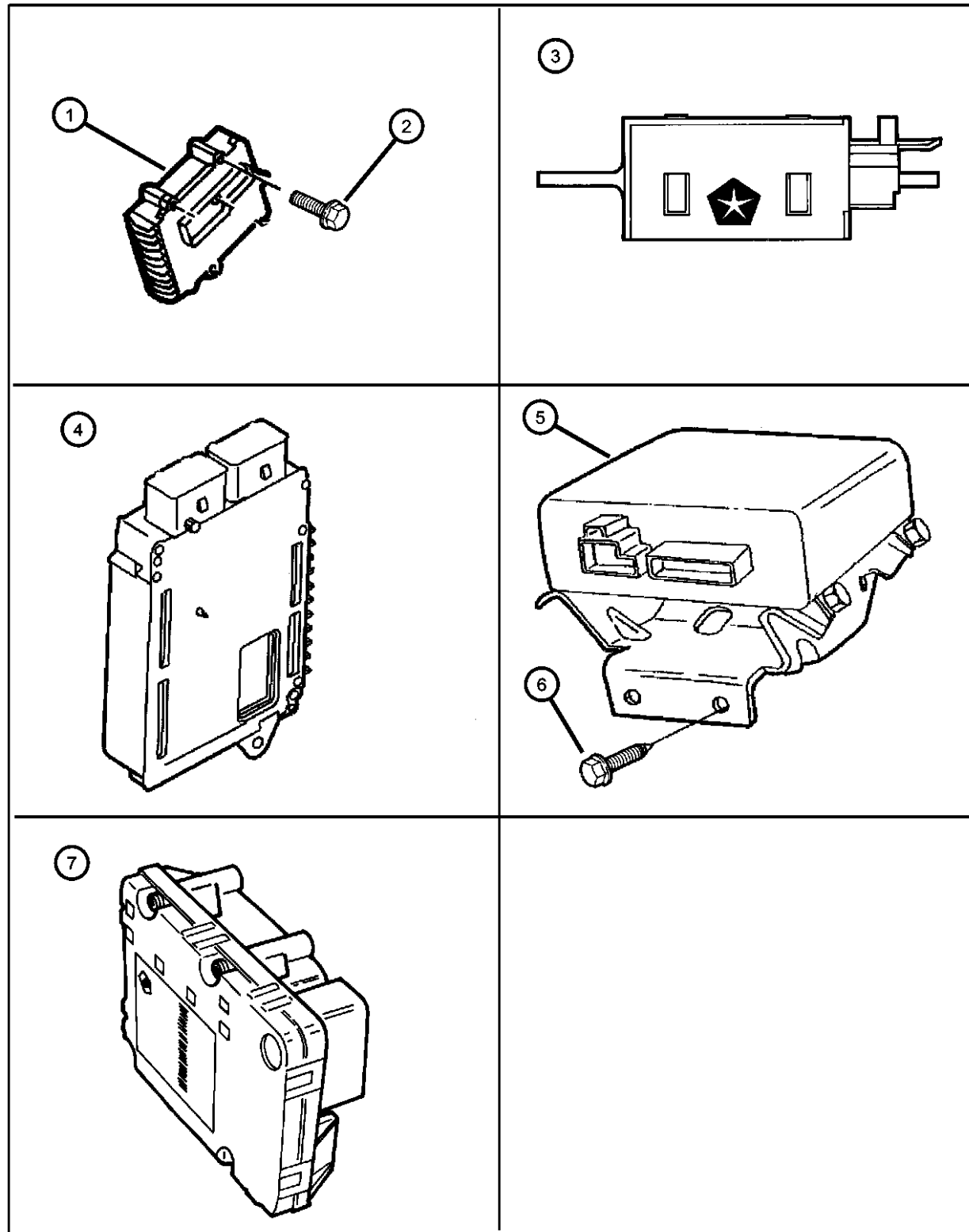
Alternators, All Engines
Figure 8-202



ITEM	PART NUMBER	QTY	LINE	SERIES	BODY	ENGINE	TRANS	TRIM	DESCRIPTION
16	06504064	1				ECB			SCREW, M10X1.50X91.00
17									STRUT, Alternator Bracket
	04663800	1				ECB			Alternator Bracket To A/C Bracket
	04861071	1				ECB			Engine Mount Bracket To Alternator Bracket
18	06101760	1				ECB			SCREW AND WASHER, Hex Head, M10x1.5x80
19	06101760	1							SCREW AND WASHER, Hex Head, M10x1.5x75, (NOT SERVICED)
20	06101760	1							NUT, M10x1.50, (NOT SERVICED)
-21	04602081	1				ECB			COVER, Alternator Bracket

AR = use ase required - = Non illustrated part

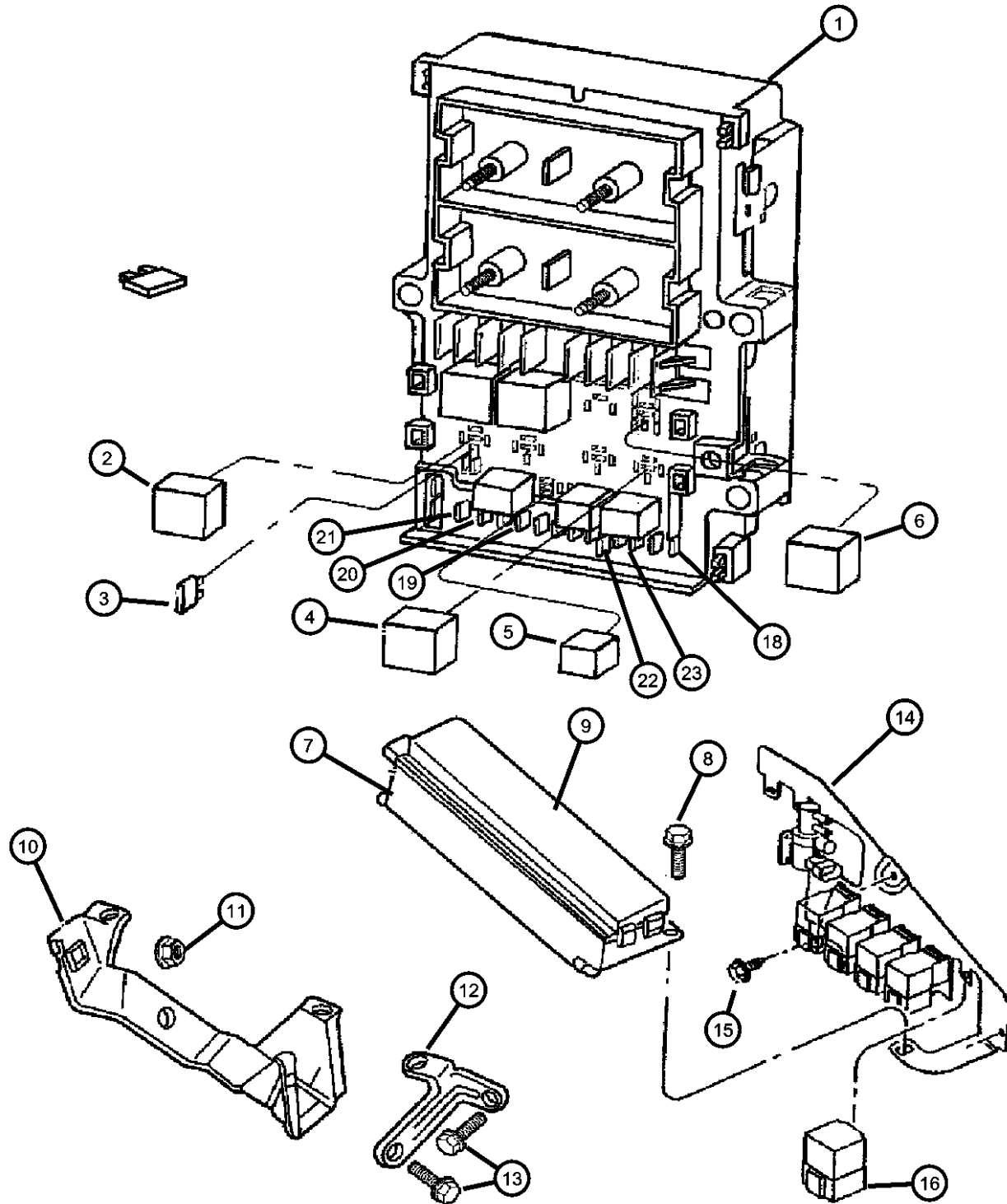
Modules, Electronic
Figure 8-445



ITEM	PART NUMBER	QTY	LINE	SERIES	BODY	ENGINE	TRANS	TRIM	DESCRIPTION
NOTE : Sales Code									
	ECB =					ENGINE - 2.0L 4 CYL SOHC 16V			
	EDZ =					ENGINE - 2.4L 4 CYL DOHC 16V			
	EGA =					ENGINE - 3.3L V6 MPI			
	EGH =					ENGINE - 3.8L V6 MPI			
	ENC =					ENGINE - 2.5L 4 CYL TURBO DIES			
	DGL =					TRANSMISSION - AUTOMATIC 4-SPD DGL			
1	04686465AC R4686465AC	1	Y, Z				DGL		MODULE, Transmission Control Mopar Remanufactured Part
2	06504284	3							SCREW, Hex Head, M4.8x1.59x68.00, EATX Controller Mtg.
3									MODULE, Warning Indicator
	04685651	1	C, Y			ECB, EDZ, EGA, EGH			
	04685652	1	U, Z						
	04685654	1	C, Y			ENC			
4									MODULE, Body Controller
	04686399AB	1	Z			ECB, EDZ, EGA, EGH			
	04686673	1				ECB, EDZ, EGA, EGH			
	04686674	1				ENC			
5	04686242	1							MODULE, Air Bag Control
6	06035014	4							SCREW, Hex Flange Head Tapping, .25-14x.75, Airbag Mtg.
7									CONTROL UNIT, Anti-Lock Brake
	04882648	1							
	04882649	1	Y						w/Traction Control
-8									MODULE, Keyless Entry Receiver
	04686087	1							Europe
	04686475	1							Australia Pkg.
-9	04856621	1							COVER PACKAGE, Powertrain Control Module

AR = use ase required - = Non illustrated part

Power Distribution Center, Junction Box, Relays & Fuses
Figure 8-545



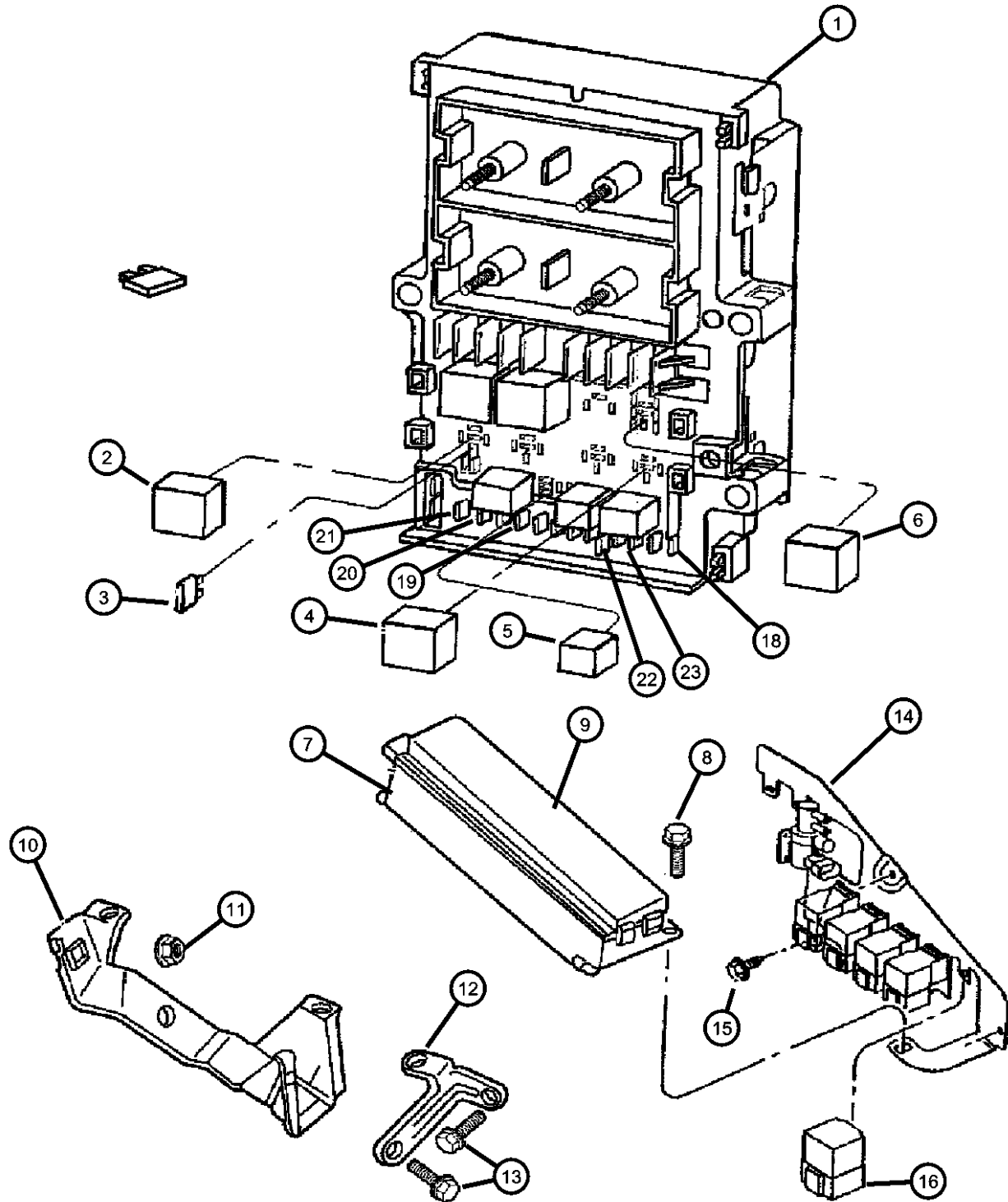
ITEM	PART NUMBER	QTY	LINE	SERIES	BODY	ENGINE	TRANS	TRIM	DESCRIPTION
------	-------------	-----	------	--------	------	--------	-------	------	-------------

NOTE : Sales Code
 ENC = ENGINE - 2.5L 4 CYL TURBO DIES
 ECB = ENGINE - 2.0L 4 CYL SOHC 16V
 EDZ = ENGINE - 2.4L 4 CYL DOHC 16V
 EGA = ENGINE - 3.3L V6 MPI
 EGH = ENGINE - 3.8L V6 MPI
 DGL = TRANSMISSION - AUTOMATIC 4-SPD

1									JUNCTION BLOCK, Relay
	04707785AB	1	C, Y						
	04707787AB	1	U, Z						
2									RELAY, Electrical
	04608650	1					DGL		EATX Shutdown
		1							NBS/Power AMP
		1							Fuel Pump
	04707211	1							Keyless Relay
	04886288AA	1				ECB, EDZ, EGA, EGH			Radiator Fan
3	06101139	1							FUSE, Standard, 30 Amp, Light GreenDoor Un-Lock
4	06101139	1							MODULE, Headlamp Washer, (NOT REQUIRED)
5	06101139	1							RELAY, Mini, (NOT REQUIRED)
6	04686130	1							FLASHER
7									POWER DISTRIBUTION CENTER
	04707891	1				ECB, EDZ, EGA, EGH			w/o ABS, Power Distribution Center
	04707893	1				ECB, EDZ, EGA, EGH			w/ABS, Power Distribution Center
8	06503759	6							BOLT, Hex Head, M6x1.00x25.00
9									COVER, Power Distribution Center
	04707777	1				ECB, EDZ, EGA, EGH			
	04707779	1				ENC			
10	04707624	1							BRACKET, Power Distribution Center
11	34201358	2							NUT AND WASHER, Hex Nut-Sealing Washer, M6 x 1.00
12	04707638	1				EDZ, EGA, EGH			BRACKET, Power Distribution Center
13	06035014	2							SCREW, Hex Flange Head Tapping, .25-14x.75
14	04707408AB	1				ENC			BRACKET, EVM, Radiator Fan, Glow Plug
15	00153922	3				ENC			SCREW AND WASHER, Round Head, .164-15x.625
16									RELAY, Mini
	04607036	1				ENC			Glow Plug
	04707211	1							Keyless Entry, Power Mirror
	04707286AD	1				ECB, EDZ, EGA, EGH			Radiator Fan

AR = use ase required - = Non illustrated part

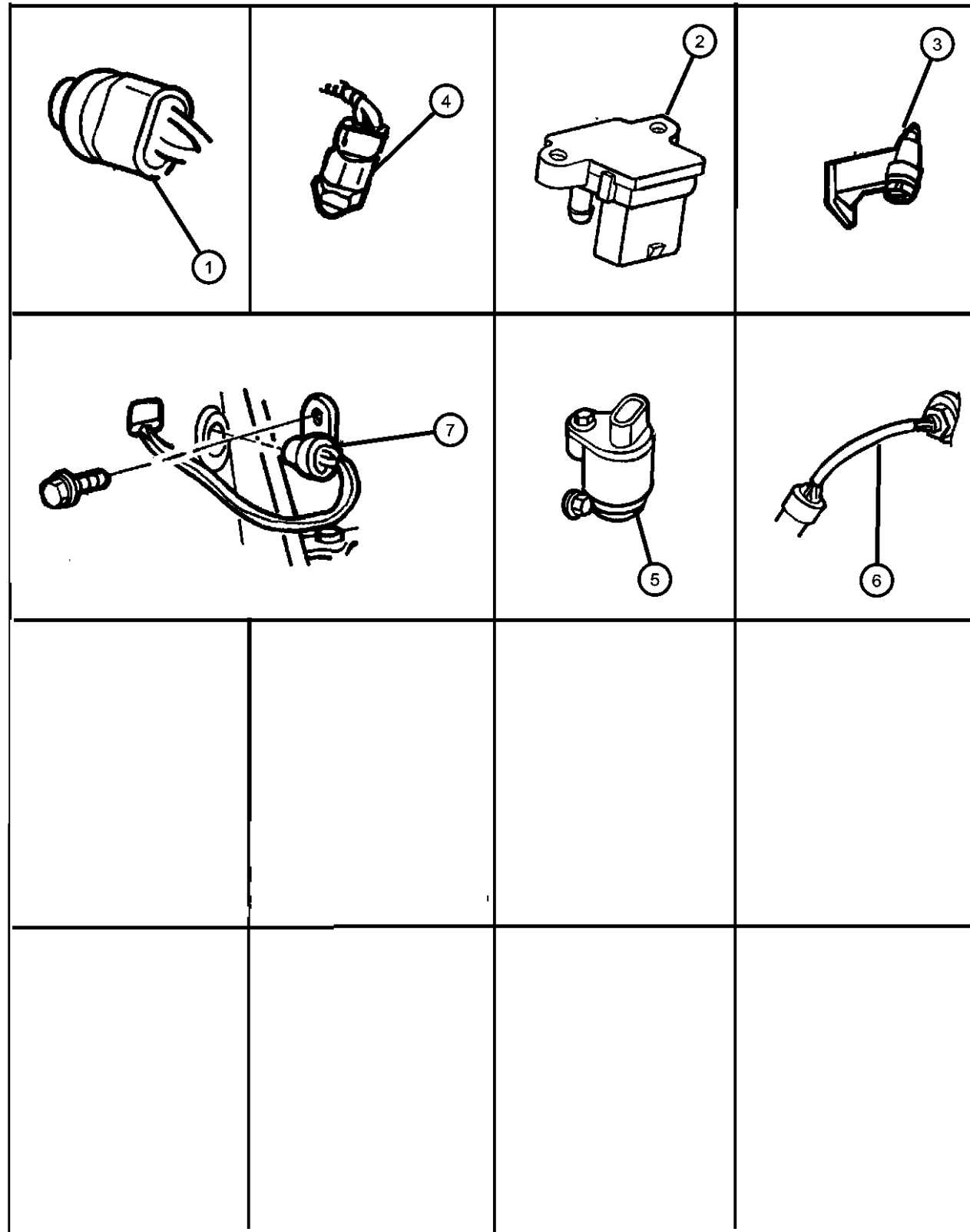
Power Distribution Center, Junction Box, Relays & Fuses
Figure 8-545



ITEM	PART NUMBER	QTY	LINE	SERIES	BODY	ENGINE	TRANS	TRIM	DESCRIPTION
	05003409AA	1	Z						Heated Seat
		1	C, Y						Heated Seat
-17									RELAY PACKAGE, Electrical
	04638094	1				ENC			Park Lamp, Blower Motor, Starter
		1				ENC			A/C Clutch, Front Wiper, High Beam
		1				ECB, EDZ, EGA, EGH			Horn, Blower Motor, Park Lamp
		1				ECB, EDZ, EGA, EGH			A/C Clutch, Low Beam, High Beam
18	06101488	1							FUSE, Mini, 20 AMP, Yellow
19	06101486	2							FUSE, Mini, 10 AMP, Red
20	06101487	1							FUSE, Mini, 15 AMP, Light Blue
21	06101640	1							FUSE, Maxi, 30 Amp, Green Wiper Motor
22									FUSE, Maxi, 40 AMP, Amber
	06101641	1				ENC			
		1				ECB, EDZ, EGA, EGH			
23									FUSE, Mini, 25 Amp, Natural
	04687835	1				ENC			
		1				ECB, EDZ, EGA, EGH			

AR = use ase required - = Non illustrated part

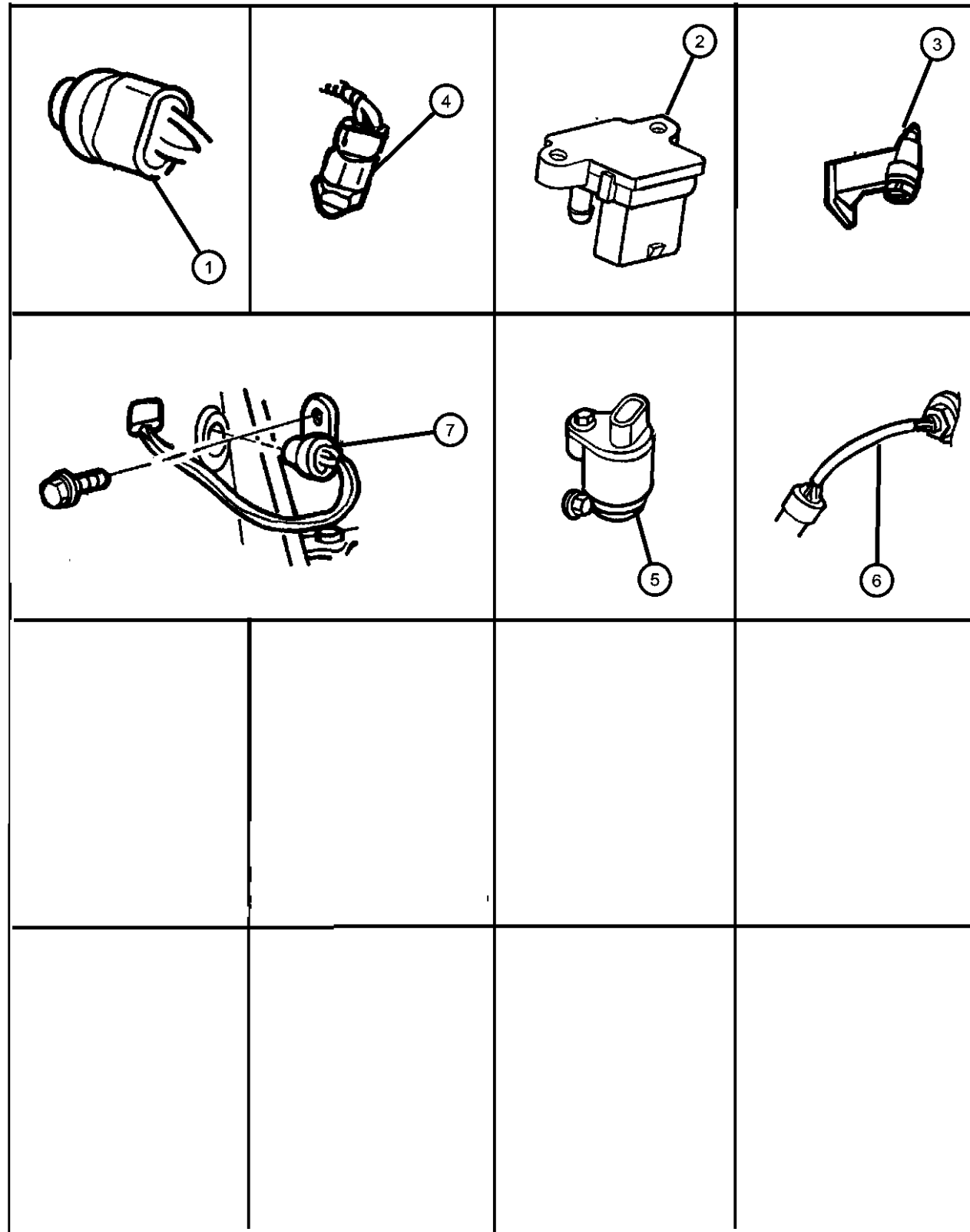
Sensors
Figure 8-645



ITEM	PART NUMBER	QTY	LINE	SERIES	BODY	ENGINE	TRANS	TRIM	DESCRIPTION
NOTE: Sales Code									
ECB = ENGINE - 2.0L 4 CYL SOHC 16V									
EDZ = ENGINE - 2.4L 4 CYL DOHC 16V									
EGA = ENGINE - 3.3L V6 MPI									
EGH = ENGINE - 3.8L V6 MPI									
ENC = ENGINE - 2.5L 4 CYL TURBO DIES									
DD3 = TRANSMISSION - MANUAL 5-SPEED									
DGL = TRANSMISSION - AUTOMATIC 4-SPD									
DD0 = TRANSMISSIONS - ALL MANUAL 5-S DD0									
DDF = TRANSMISSION - MANUAL 5-SPEED									
1									SENSOR, Knock
	04557667	1				ECB			
		1				EDZ			
	04686243	1				EGA, EGH			
2									SENSOR, MAP
	04671276	1				EGA			
		1				EGH			
		1				EDZ			
	05269565	1				ECB			
3	04685606	1							SENSOR, Ambient Temperature-Overhead Console
4									SENSOR, Coolant Temperature
	04686192	1				ENC			
	33004281	1				EGH			
	56027873	1				ECB			
5	04707386	1					DD0		SENSOR, Vehicle Speed
6									SENSOR, Oxygen
	04686154	1				EGA			Exhaust
		1				EGH			Exhaust
	04686622	1				ECB, EDZ, EGA, EGH			Catalyst Monitor
	04727224	1	Z			EGA, EGH			
	05269642	1				ECB			Exhaust
7									SENSOR, Transmission Range
	04659559	1				EGA			
		1				EGH	DGL		
-8									SENSOR, Crankshaft Position
	04686188	1				ENC			
	05269703	1				ECB			
		1				EDZ			
-9	04727336AB	1				EGA, EGH			SENSOR, Crankshaft
-10									SENSOR, D.I.S. Camshaft Reference
	04727138AB	1				EGA			
		1				EGH			

AR = use ase required - = Non illustrated part

Sensors
Figure 8-645



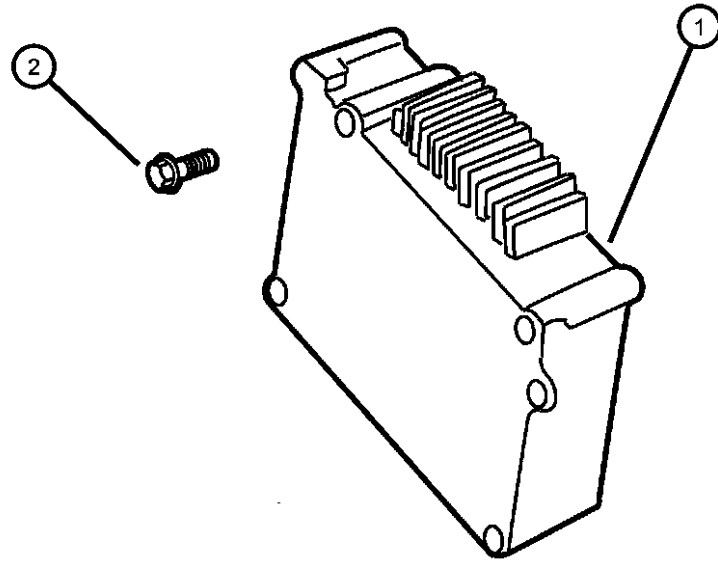
ITEM	PART NUMBER	QTY	LINE	SERIES	BODY	ENGINE	TRANS	TRIM	DESCRIPTION
-11	04882850AA	1	C, Y, Z			ECB			SENSOR PACKAGE, Camshaft
	04882851AA	1	C, Y, Z			EDZ	DD3		
-12	04686156	1				EDZ	DD3, DGL		SENSOR, Throttle Position
	04759001	1				EGA			
		1				EGH			
-13	04874430	1				ECB			SENSOR KIT, Throttle Position
-14	56027872	1				EDZ			SENSOR, Air Temperature
-15									SENSOR, Anti-Lock Brakes
	04683470	1							Right Front
	04683471	1							Left Front
	04721040	1	Y, Z						Right Rear
	04721041	1	Y, Z						Left Rear
	04721042	1	C						Right Rear
	04721043	1	C						Left Rear
-16	04661341	1				ECB			SENSOR, Combination Temp. Unit

AR = use ase required - = Non illustrated part

**Single Board Engine Controllers
Figure 8-745**

ITEM	PART NUMBER	QTY	LINE	SERIES	BODY	ENGINE	TRANS	TRIM	DESCRIPTION
------	-------------	-----	------	--------	------	--------	-------	------	-------------

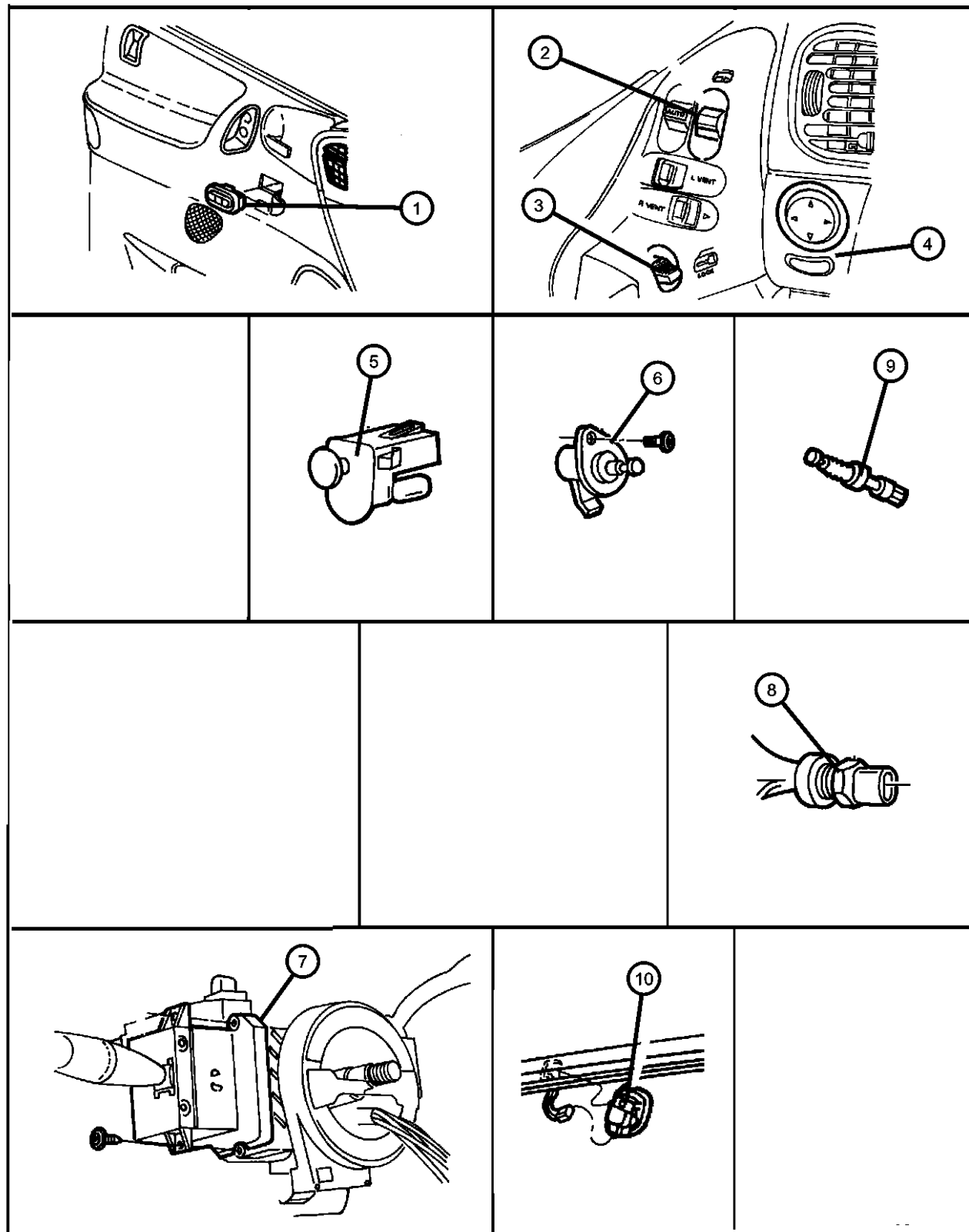
NOTE : Sales Codes
 ENC = ENGINE - 2.5L 4 CYL TURBO DIES
 ECB = ENGINE - 2.0L 4 CYL SOHC 16V
 EGA = ENGINE - 3.3L V6 MPI
 EDZ = ENGINE - 2.4L 4 CYL DOHC 16V
 EGH = ENGINE - 3.8L V6 MPI
 DDF = TRANSMISSION - MANUAL 5-SPEED
 DGL = TRANSMISSION - AUTOMATIC 4-SPD
 DD3 = TRANSMISSION - MANUAL 5-SPEED



1									MODULE, Engine Controller
	04686660AB	1	C			ENC			
	04686660AD	1	C, Y			ENC			
	04727209AB	1				EDZ	DGL		
	04727210AB	1				ECB	DDF		
	04727215AB	1				EGH	DGL		
	04748211AB	1	C			EDZ	DD3		
	04748212AB	1				EGA	DGL		
	04748213AG	1	C, Y			EGA	DGL		
	04748214AB	1	Z			EGA	DGL		
2	06504284	3							SCREW, Hex Head, M4.8x1.59x68.00
-3	04727014	1				ENC			BRACKET, Engine Control Module
-4	04856620	1							WIRING REPAIR PACKAGE, Powertrain Control Module

AR = use ase required - = Non illustrated part

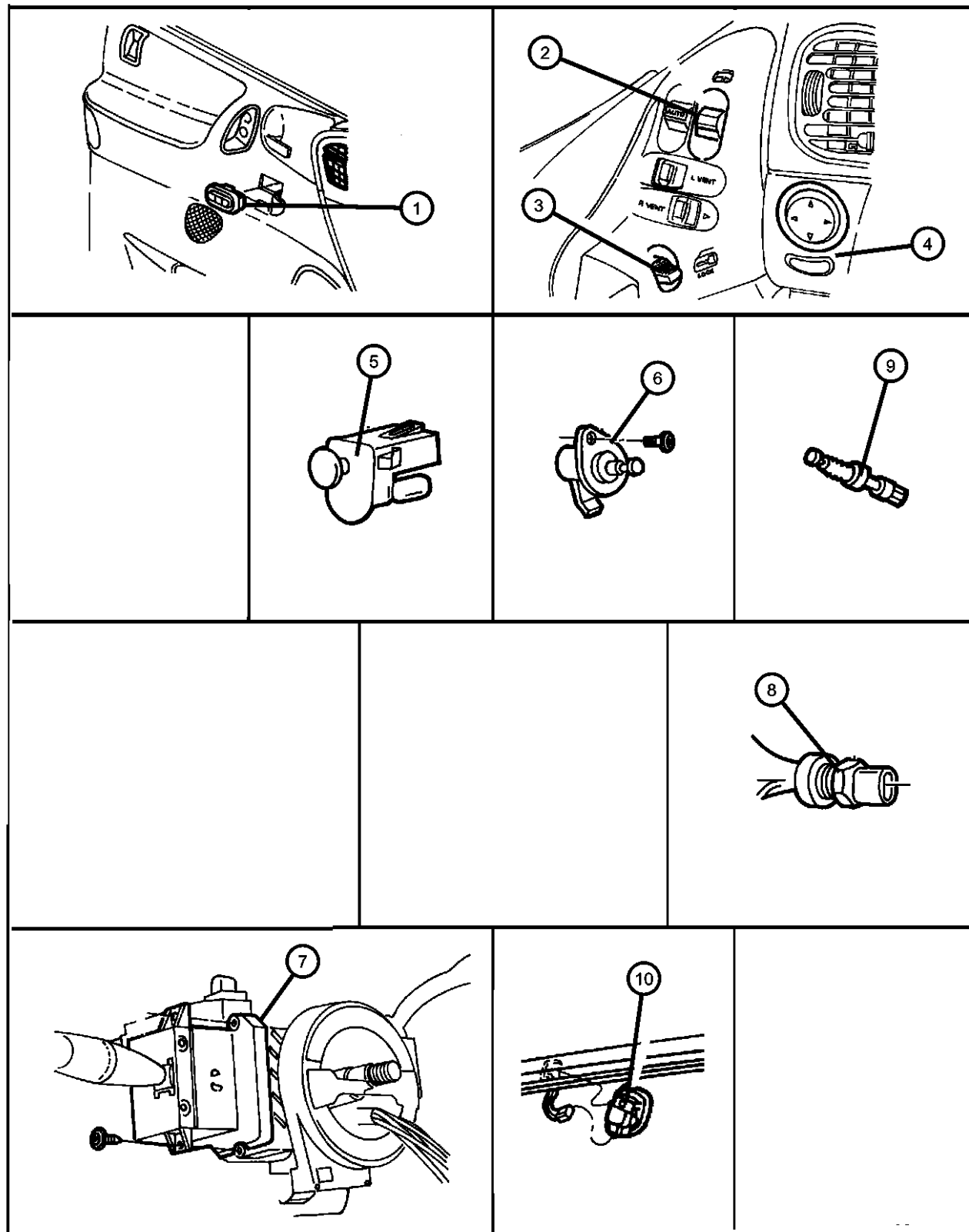
Switches
Figure 8-845



ITEM	PART NUMBER	QTY	LINE	SERIES	BODY	ENGINE	TRANS	TRIM	DESCRIPTION
NOTE : Sales Code EGA = ENGINE - 3.3L V6 MPI EGH = ENGINE - 3.8L V6 MPI EDZ = ENGINE - 2.4L 4 CYL DOHC 16V ECB = ENGINE - 2.0L 4 CYL SOHC 16V ENC = ENGINE - 2.5L 4 CYL TURBO DIES DD3 = TRANSMISSION - MANUAL 5-SPEED									
1									SWITCH, Seat
	04601756	1	U, Z						
	04601757	1	C, Y						
2									SWITCH, Window
	04685362	1	Z						
	04685433	1	C, Y						
3									SWITCH, Window and Door Lock
	04685435	1	C, Y						
		1	Z						
	0PF12SC3	1	C						Gray, Right
	0PF12SK5	1	C						Tan, Right
	0PF33SX8	1	C						Black, Left
4									SWITCH, Mirror
	04685317	1							
	04685564	1	Z						
5	04565022	1							SWITCH AND LAMP, Glove Box
6									SWITCH, Door Ajar
	04687594	1							
	04688258	2							
7	04685267	1							SWITCH, Multifunction
8									SWITCH, Oil Pressure
	04687649	1				EGA			
	04707051	1				ECB			
		1				ENC			
9	04687595	1							SWITCH, Liftgate
10									SWITCH, Rear Blower
	04874515	1		P, S					
		1		H					
-11									SWITCH, Door Key Position
	04687616	1							Right
	04687619	1							Left
-12	04685445	2							SWITCH, Reading Lamp
-13	04687621	1							SWITCH, Liftgate Key Position
-14									SWITCH, Ignition
	04671324	1					DD3, DDF		
		1	C, Y				DGL		

AR = use ase required - = Non illustrated part

Switches
Figure 8-845



ITEM	PART NUMBER	QTY	LINE	SERIES	BODY	ENGINE	TRANS	TRIM	DESCRIPTION
-15	04685328AB	1	Z				DGL		HOUSING, Switch
-16	04685330	1	C, Y				DGL		LAMP, Ignition
	04685330AB	1	U, Z				DGL		
-17	04685363AB	1	U, Z						BRACKET, Stop Lamp Switch
-18	04685542AC	1							SWITCH, Traction Control
-19	04685582	1	Z			ECB			SWITCH, Clutch Starter Interlock
		1	C			EDZ, ENC	DD3		
		1	Y		52	ECB	DDF		
-20	04685583	1				ENC			BULB, Auxiliary A/C Blower Switch, ENW1-EW33112
	04874516	1		P, S					
		1		H					
-21	04685360	1	Z						SWITCH AND BEZEL, Power Window Driver Side, Left
	0PN73RC3	1	Z						Mist Gray, Passenger Side, Right
	0PN73RK5	1	Z						Camel Tan, Passenger Side, Right
-22	0PG89SC3	1		S					SWITCH, Memory Selector Mist Gray
	0PG89SK5	1		S					Camel Tan
-23	04685429	1	Z						SWITCH AND BEZEL, Lighting Control
	04685530	1	Z						[LNJ]
	04685532	1	C, Y						
-24	04565031	2		S					SWITCH, Overhead Console Lamp
		2		P	53				
-25	04685434	1	C, Y						SWITCH, Power Window
		1	Z						
-26	04687594AB	1							SWITCH, Underhood
-27	04897188AA	1	C, Y						SWITCH, Heated Seat
		1	U, Z						

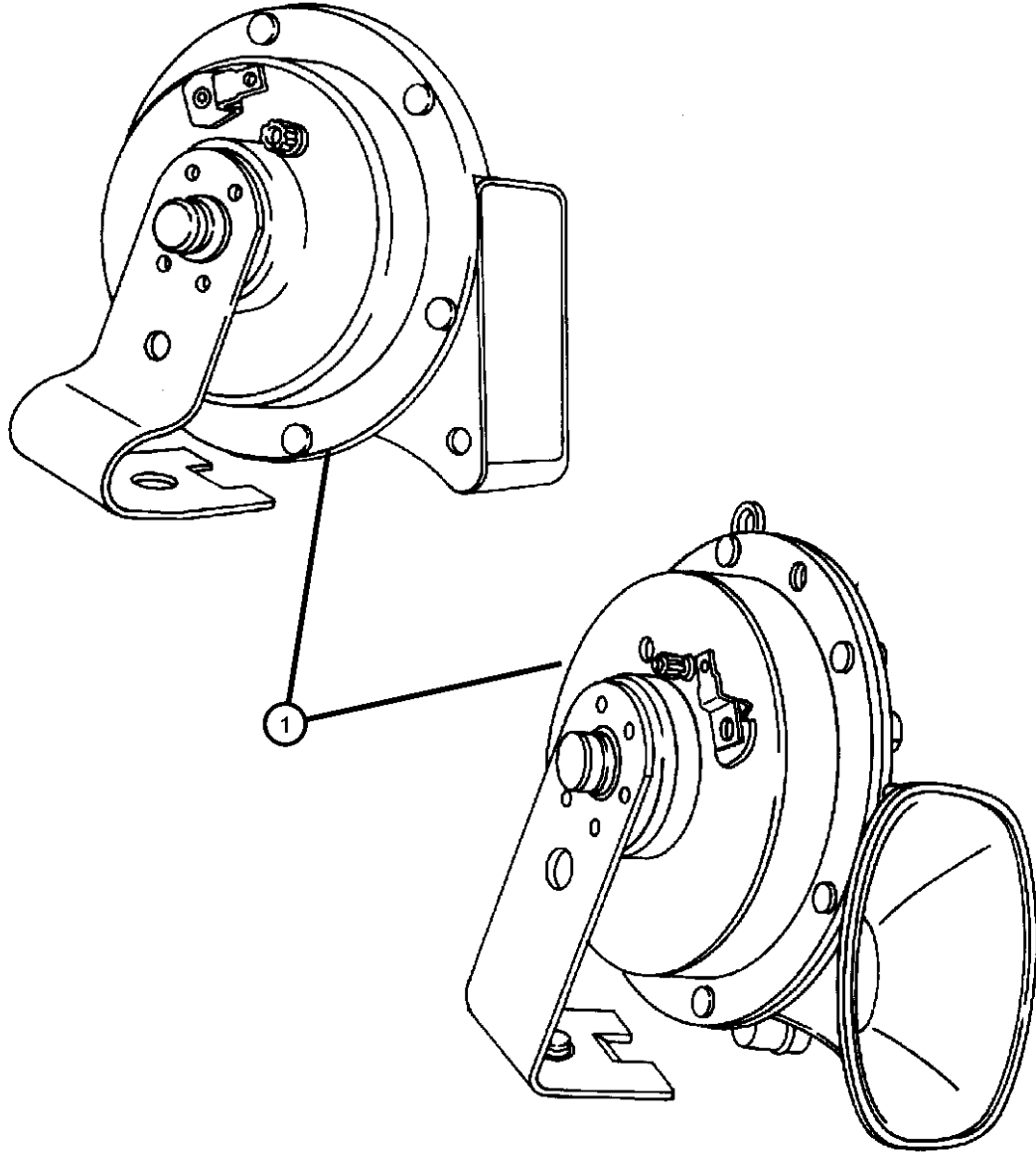
AR = use ase required - = Non illustrated part

Horns
Figure 8-904

ITEM	PART NUMBER	QTY	LINE	SERIES	BODY	ENGINE	TRANS	TRIM	DESCRIPTION
------	-------------	-----	------	--------	------	--------	-------	------	-------------

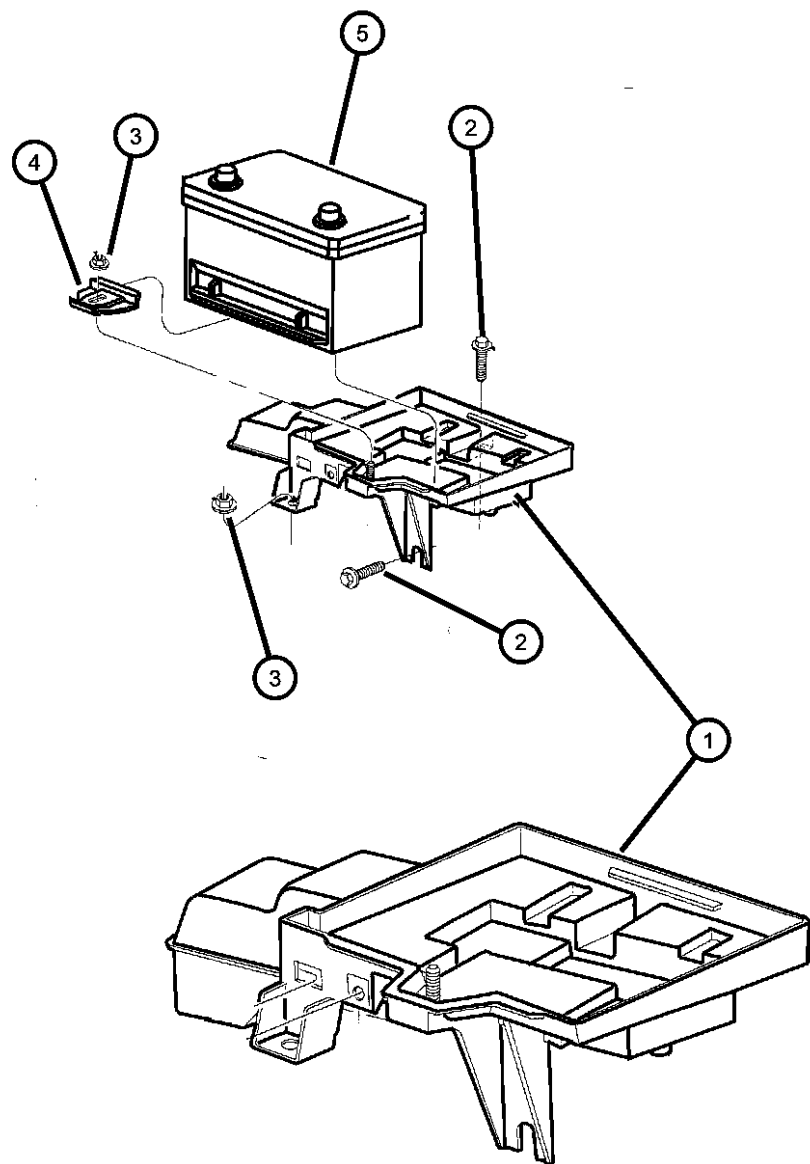
NOTE: Sales Code
JJB: = HORNS - ELECTRIC
1 04685562AB 1

HORN, Duel



AR = use ase required - = Non illustrated part

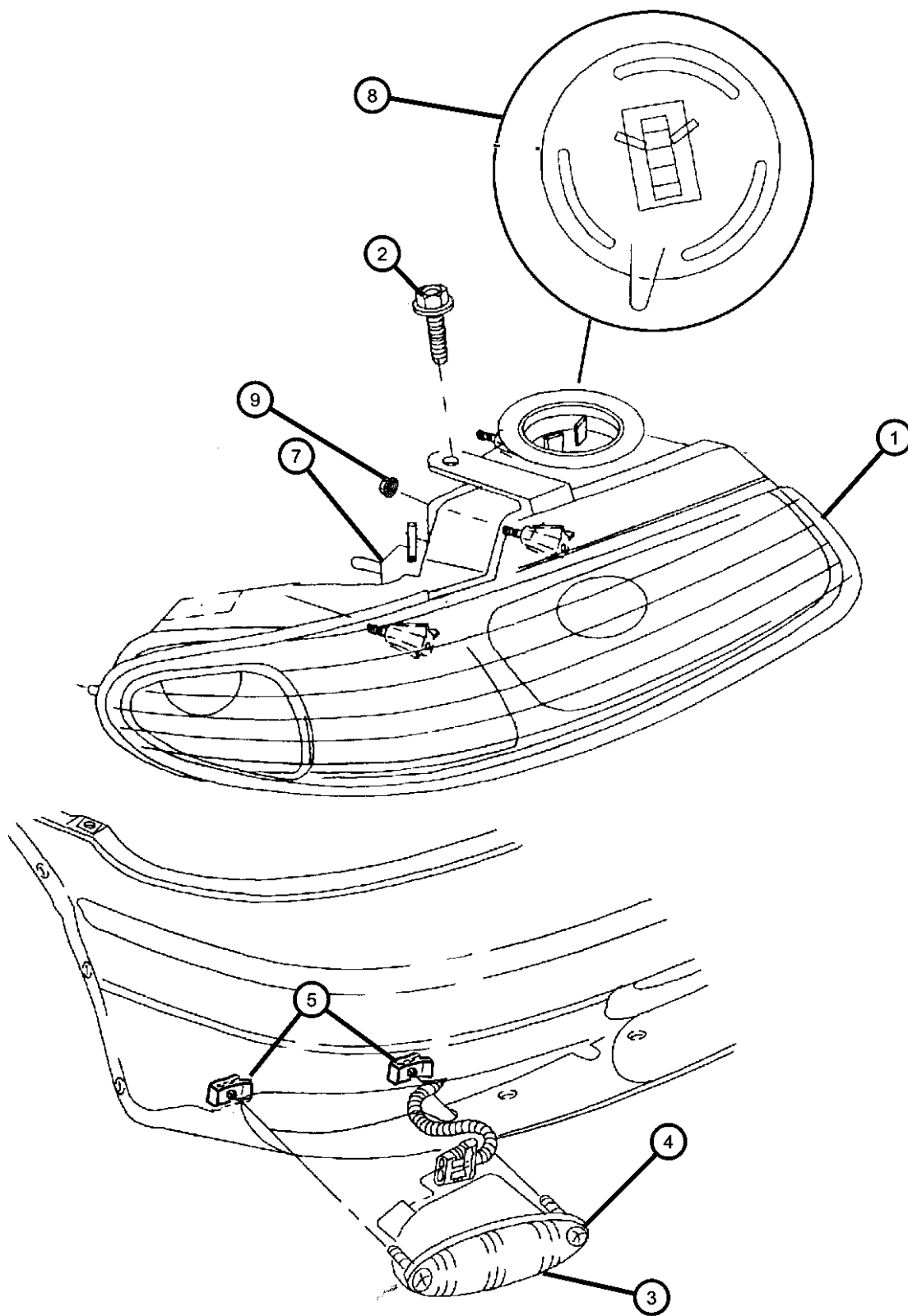
Battery Trays And Cables
Figure 8-1015



ITEM	PART NUMBER	QTY	LINE	SERIES	BODY	ENGINE	TRANS	TRIM	DESCRIPTION
NOTE: Sales Code									
ECB = ENGINE - 2.0L 4 CYL SOHC 16V									
EDZ = ENGINE - 2.4L 4 CYL DOHC 16V									
EGA = ENGINE - 3.3L V6 MPI									
EGH = ENGINE - 3.8L V6 MPI									
ENC = ENGINE - 2.5L 4 CYL TURBO DIES									
1	04716945	1				ECB, EDZ, EGA, EGH			TRAY, Battery w/Speed Control
	0VU01207								Repair Battery Terminal End Side Post (Ten Per Box)
	0VU01205								Repair Battery Terminal End Top Post (Ten Per Box)
	04716946	1				ECB, EDZ, EGA, EGH			Repair Battery Terminal End Side Post (Ten Per Box)
	0VU01207								Repair Battery Terminal End Top Post (Ten Per Box)
	0VU01205								Repair Battery Terminal End Top Post (Ten Per Box)
		1				ENC			Repair Battery Terminal End Side Post (Ten Per Box)
	0VU01207								Repair Battery Terminal End Top Post (Ten Per Box)
	0VU01205								Repair Battery Terminal End Top Post (Ten Per Box)
2	06503492	1							SCREW AND WASHER, Hex Head Tapping, M8x1.25x26
3	06504572	2							NUT AND WASHER, Hex Nut-Coned Washer, M8 x 1.25
4	04673328	1							RETAINER, Battery Hold Down
5									BATTERY, Storage
	04727242	1							600 AMP
	04727343	1							670 AMP
-6	04557480	1							LABEL, Battery

AR = use ase required - = Non illustrated part

Lamps, Front
Figure 8-1156



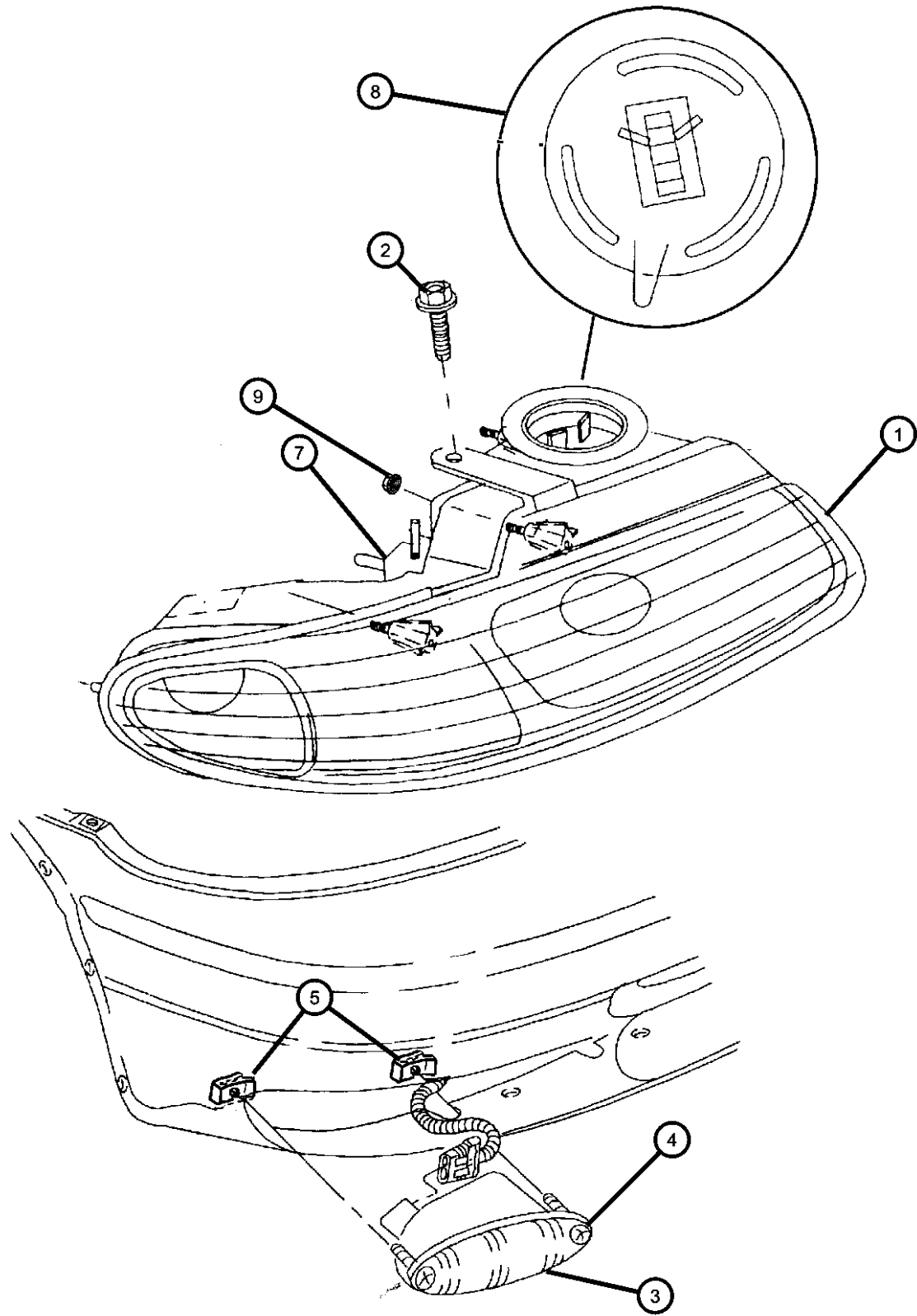
ITEM	PART NUMBER	QTY	LINE	SERIES	BODY	ENGINE	TRANS	TRIM	DESCRIPTION
1									HEADLAMP
	04897388AA	1	C, Y						Right
	04897389AA	1	C, Y						Left
	04897390AA	1	U, Z						Right, Right Hand Drive
	04897391AA	1	U, Z						Left, Right Hand Drive
	04897574AA	1	Z						Right
	04897575AA	1	Z						Left
2	04897575AA	1							SCREW, Head Lamp Adjusting, .25-28x1.701, (NOT SERVICED)
3									LAMP, Fog
	04676538	1							Right
	04676539	1							Left
4	06503722	4							SCREWFog Lamp
5	06101653	4							NUT, M5x.8
-6	06101653	4							REINFORCEMENT PACKAGE, Headlamp, (NOT SERVICED)
7									VENT, Headlamp
	04676668	1	C, Y						
		1	U, Z						
8		1							DECAL, Headlamp Horizontal, (NOT SERVICED)
9	34201358	4							NUT AND WASHER, Hex Nut-Sealing Washer, M6 x 1.00
-10									MOTOR, Headlamp Leveling
	04676678	1	C, Y						
		1	U, Z						
-11	04857110	2							LAMP, Side Repeater
-12	04857114	1							GASKET, Side Marker Lamp
-13	04857117	1							WIRING, Side Repeater Lamp
-14									BULB, 8/4
	00153620	1	C						w/Halogen
		1	U, Z						
-15	06101444	3							NUT AND WASHER, Hex Nut-Sealing Washer, M6 x 1.00
-16									BULB, PY21W Amber
	00154742	1	C, Y						
		1	U, Z						
-17	04728646	1							BULB PACKAGE, 50 Watt
-18									BULB, Headlamp
	00153621	1	C, Y						
		1	Z						
		1	U, Z						
-19									BOOT SEAL, Headlamp

AR = use ase required - = Non illustrated part

Lamps, Front
Figure 8-1156

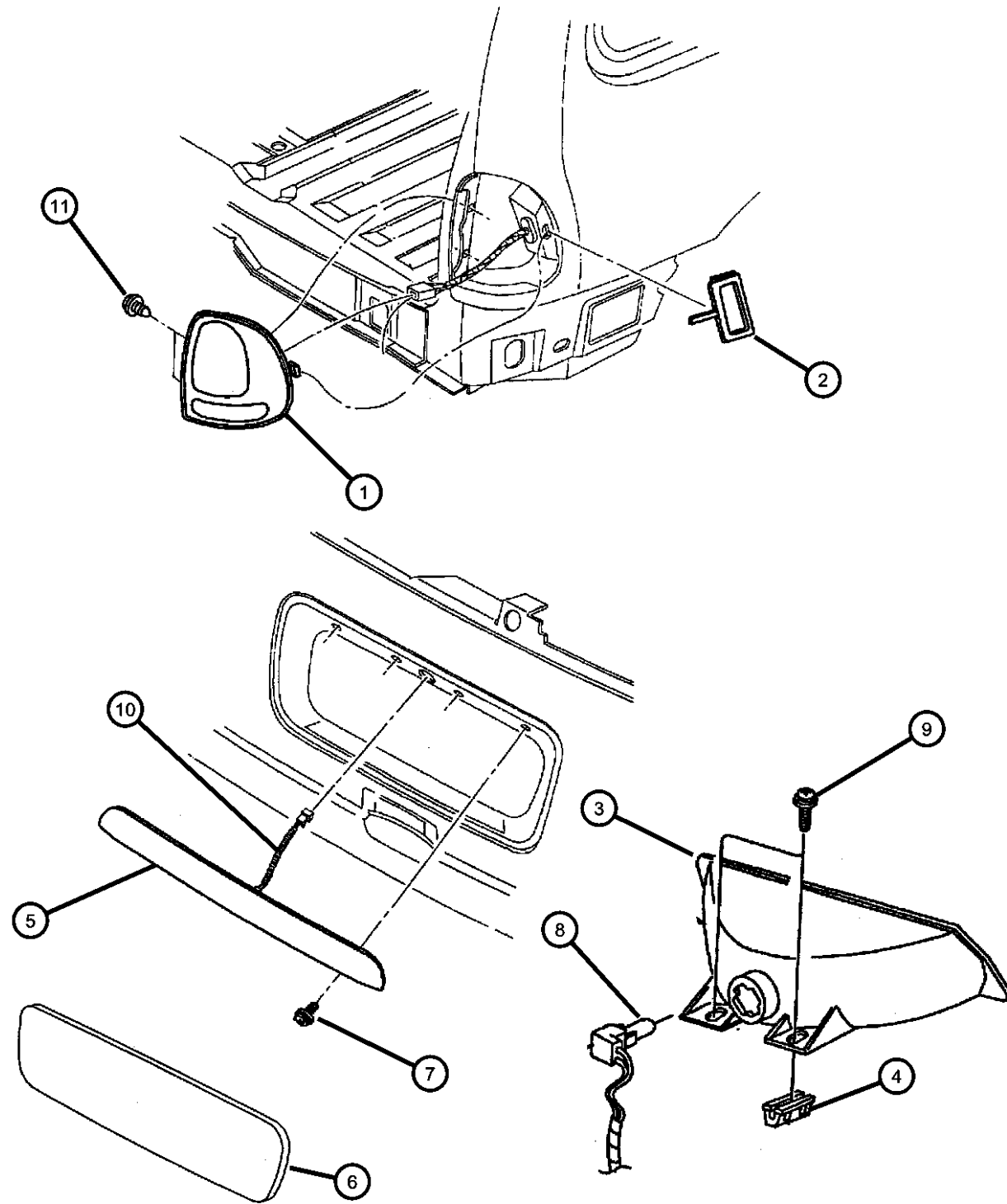
ITEM	PART NUMBER	QTY	LINE	SERIES	BODY	ENGINE	TRANS	TRIM	DESCRIPTION
------	-------------	-----	------	--------	------	--------	-------	------	-------------

	04676669	1	C, Y						
		1	U, Z						



AR = use ase required - = Non illustrated part

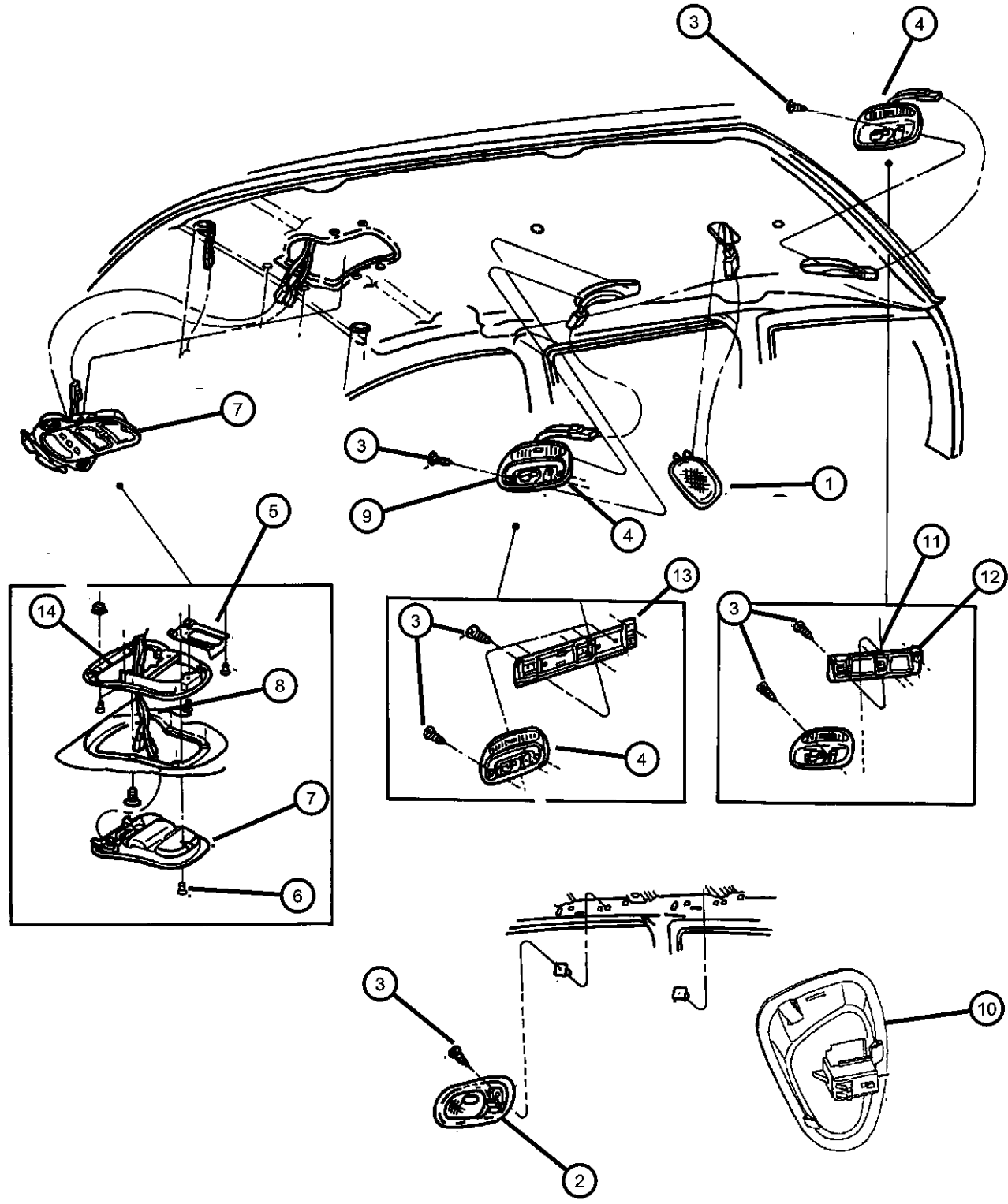
Lamps, Rear
Figure 8-1157



ITEM	PART NUMBER	QTY	LINE	SERIES	BODY	ENGINE	TRANS	TRIM	DESCRIPTION
1									LAMP, Tail Stop Turn
	04576246	1							Right
	04576247	1							Left
2	04676350	2							GROMMET, Lamp
3	04676741	1							LAMP, High Mounted Stop
4	04676882	2							SPACER, High Mounted Stop Lamp
5									LAMP, License Plate
	0HY11TCN	1		H					Amethyst Pearl
	0HY11TTK	1		H					Taupe
6	04576391	1							ISOLATOR, License Plate
7									SCREW, Tapping, .19-16x.625
	00153856	1							Contact
	00154228	4							Light Bar
8	00153622	1							BULB, P-25-1Turn Signal, Chmsl, Fog Lamp
9	06035202	2							SCREWChmsl
10									WIRING, License Lamp
	04676804	1		H, P, S					
		1		L					
11		1							SCREW, (NOT SERVICED)
-12	00153623	1							BULB, P-25-2
-13	06035319	2							NUT, Spring, .19-16 J Type
-14	04676886	1							CONTACT SPRING, High Mounted Stop Lamp
-15	04676865	2		H, P, S					GASKET, License Lamp
-16	04676884	1							BULB HOLDER, High Mounted Stop Lamp
-17	04676885	1							INSULATOR, Hi-Mounted Stop Lamp
-18									LAMP, Liftgate Chmsl
	04857053	1							
	04857121	1							w/Sunscreen Glass
-19	04857124	1							BULB HOLDER, Liftgate Chmsl
-20	04676490	1		L					LAMP BAR, Tailgate
-21	04676876	6							WASHER, Inner HSG to Contact Plate
-22	04676877	6							WASHER, Outer HSG to Contact Plate
-23									BULB, GE 880V
	04676869	2		H, P, S					Light Bar, Chmsl
		2		L					Light Bar, Chmsl
-24									CLIP
	04857068	1		H, P, S					Wiring Clip
		1		L					Wiring Clip

AR = use ase required - = Non illustrated part

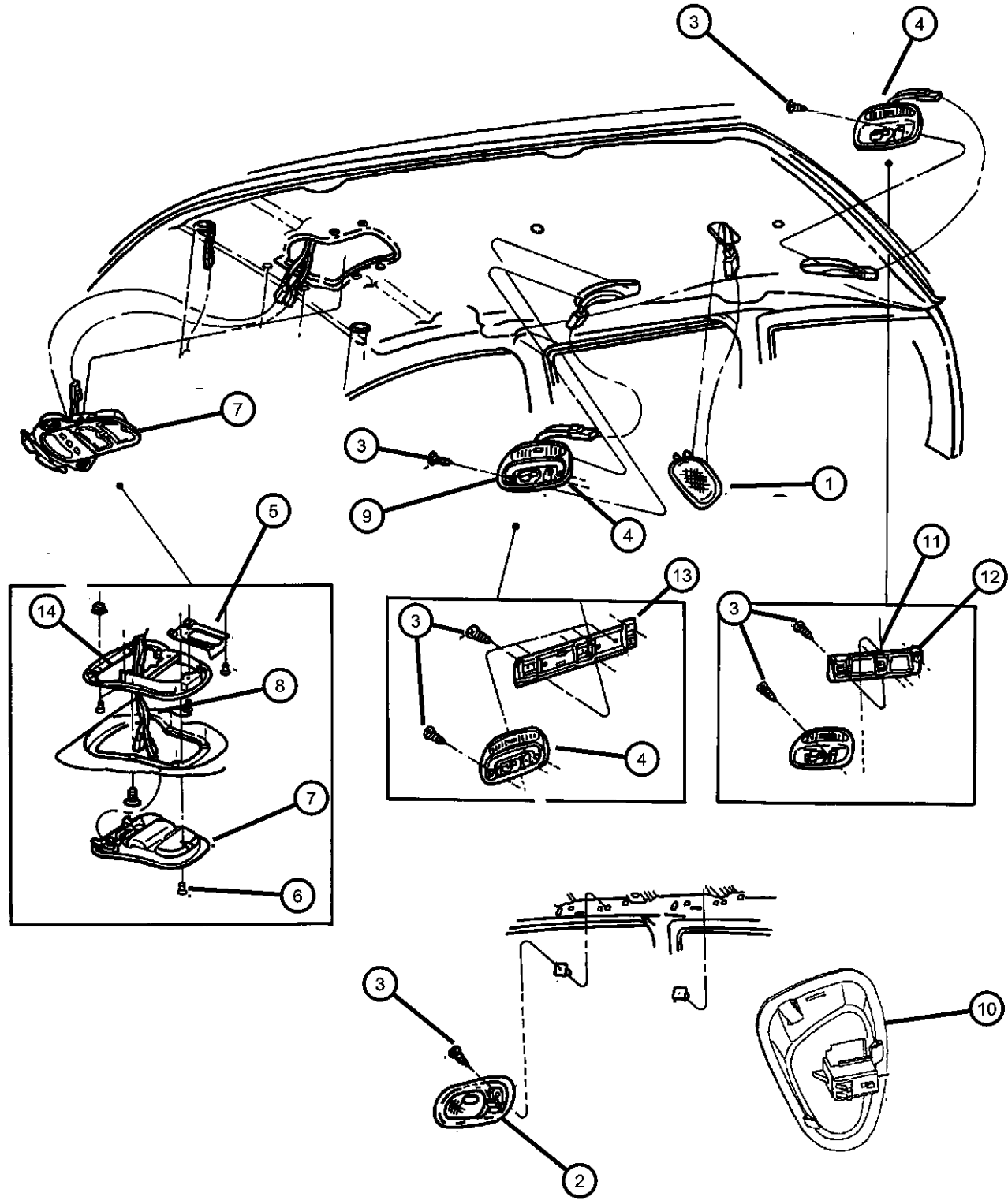
Lamps, Cargo, Dome, Courtesy
Figure 8-1158



ITEM	PART NUMBER	QTY	LINE	SERIES	BODY	ENGINE	TRANS	TRIM	DESCRIPTION
1	0JV76SC1	1							LAMP, Dome Blue, Intermediate
	0JV76SK4	1							Blue, Rear
	0JV76SC1	1							Brown, Intermediate
	0JV76SK4	1							Brown, Rear
2	0HW44SC1	2		P					HANDLE, Grab, With Reading lamp Blue, Right
	0HW44SK4	2		P					Brown, Right
	0HW45SC1	2		P					Blue, Left
	0HW45SK4	2		P					Brown, Left
3	06032584	12							SCREW, Pan Head, .19-16x.75, .19-16x75
4	0HW38SC1	2		P	53				HANDLE, Door Interior w/Lamp, Blue, Right
	0HW38SK4	2		P	53				Brown, Right
	0HW39SC1	2		P	53				Blue, Left
	0HW39SK4	2		P	53				Brown, Left
5	04685240	1							BRACKET, Overhead Console
6	06034945	1							SCREW AND WASHER, Flat Head Tapping, .164-18x.5 Overhead Console
7	0KN01SC1	1							HOUSING, Overhead Console Blue
	0KN01SK4	1							Tan
8	04762145	1							WIRING, Overhead Console
9	0JY10SC1	2		H					HANDLE, Grab, Gray Blue, Right
	0JY10SK4	2		H					Tan, Right
	0JY11SC1	2		H					Blue, Left
	0JY11SK4	2		H					Tan, Left
10	04685224	1		P, S					LAMP, Door Right
	04685225	1		P, S					Left
11	04754128	1			53				BRACKET, Roof Rail to Body, To Body Attaching 4-Door Right
12	04754129	1	C, Y		53				BRACKET, Grab Handle 2nd. Left Rear Seat Module
	04754130	1	C, Y		53				2nd Right Rear Seat Module
13	04754055	1			53				BRACKET, Module, Center Module 4-Door, Left
14	04798405	1							ADAPTER, Garage Door Button
-15	04685445	2							SWITCH, Reading Lamp
-16	04762152	1							LENS, Reading Lamp

AR = use ase required - = Non illustrated part

Lamps, Cargo, Dome, Courtesy
Figure 8-1158



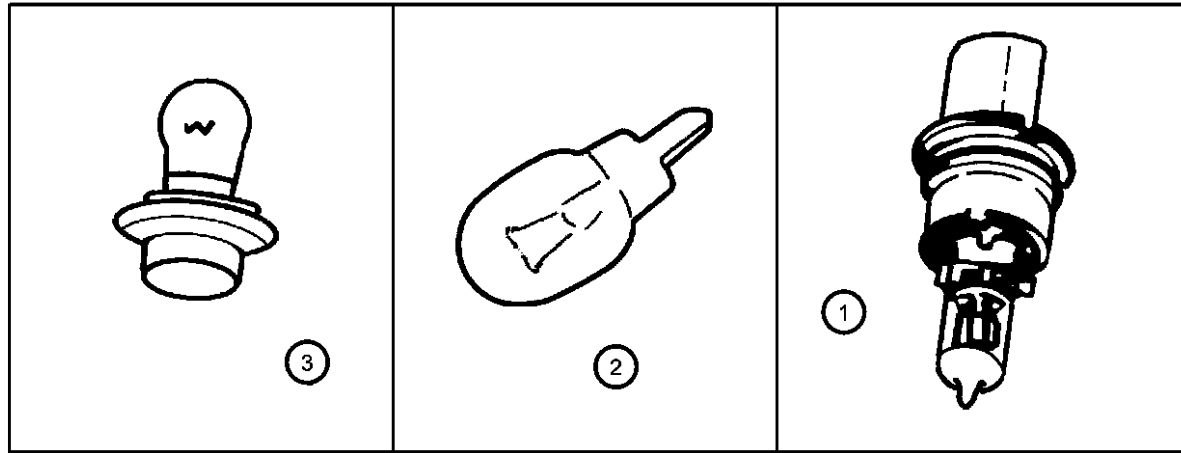
ITEM	PART NUMBER	QTY	LINE	SERIES	BODY	ENGINE	TRANS	TRIM	DESCRIPTION
-17									HOUSING, Lamp
	04762146	1							Right
	04762147	1							Left
-18	04685368AB	1							MODULE, Compass Temperature
-19	04762153	1							DOOR, Sunglass Bin
-20	04762154	1							DOOR, Garage Door Opener
-21									LENS, Maplamp
	04762148	1							Right
	04762149	1							Left
-22	00154762	2							BULB, 579Dome Lamp
-23	04685282	2							LAMP, Liftgate Flood Lamp

AR = use ase required - = Non illustrated part

Sockets And Bulbs
Figure 8-1180

ITEM	PART NUMBER	QTY	LINE	SERIES	BODY	ENGINE	TRANS	TRIM	DESCRIPTION
------	-------------	-----	------	--------	------	--------	-------	------	-------------

NOTE: Sales Code
 ENC = ENGINE - 2.5L 4 CYL TURBO DIES
 EDZ = ENGINE - 2.4L 4 CYL DOHC 16V S
 ECB = ENGINE - 2.0L 4 CYL SOHC 16V
 DGL = TRANSMISSION - AUTOMATIC 4-SPD
 DD3 = TRANSMISSION - MANUAL 5-SPEED
 DDF = TRANSMISSION - MANUAL 5-SPEED

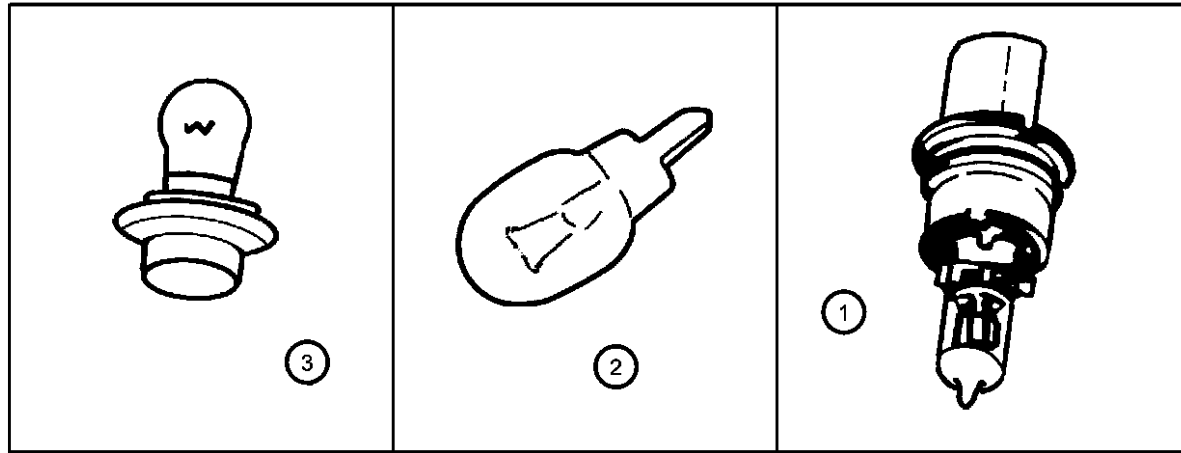


1									BULB, Headlamp
	00153621	1	C, Y						
		1	U, Z						
2									BULB, 579
	00154762	2							Underhood
		1							Dome Lamp
3	00153623	1							BULB, P-25-2Tail And Stop Lamp
-4									BULB, 567
	00154763	1		P, S					Liftgate
		1							Courtesy Lamp
-5	04856288	4		H, L					BULB, Heater and A/C Control
-6	06501966	1							BULB, 74Visor Mirror
-7									BULB, P-25-1
	00153622	1							Turn Signal Lamp
		1							Back Up Lamp
		1							Fog Lamp
		1							Chmsl
-8									LAMP, Bulb And Socket
	L00PC194	1							Keyless Entry
		10				ECB, EDZ	DD3, DDF		Instrument Cluster
		9					DGL		Instrument Cluster
		10				ENC			Instrument Cluster
-9	09417561	1	C, Y						BULB, 161Ash Receiver
-10	04685444	2							SOCKET, Console GaugeOver
									Head Console
-11	00153620	2							BULB, 8/4Side Repeater Lamp
-12	04798351	1	C						BULB AND SOCKET, Headlamp
									Switch
-13	04798363	1							BULB AND SOCKET, Mirror Switch
-14									BULB AND SOCKET, Halo
	04856321	1			52		DD3		
		1	C		52		DGL		
		1	C, Y				DGL		
		1	Z				DGL		
-15									BULB, Auxiliary A/C Blower Switch,
	04874516	1		P, S					ENW1-EW33112

AR = use ase required - = Non illustrated part

Sockets And Bulbs
Figure 8-1180

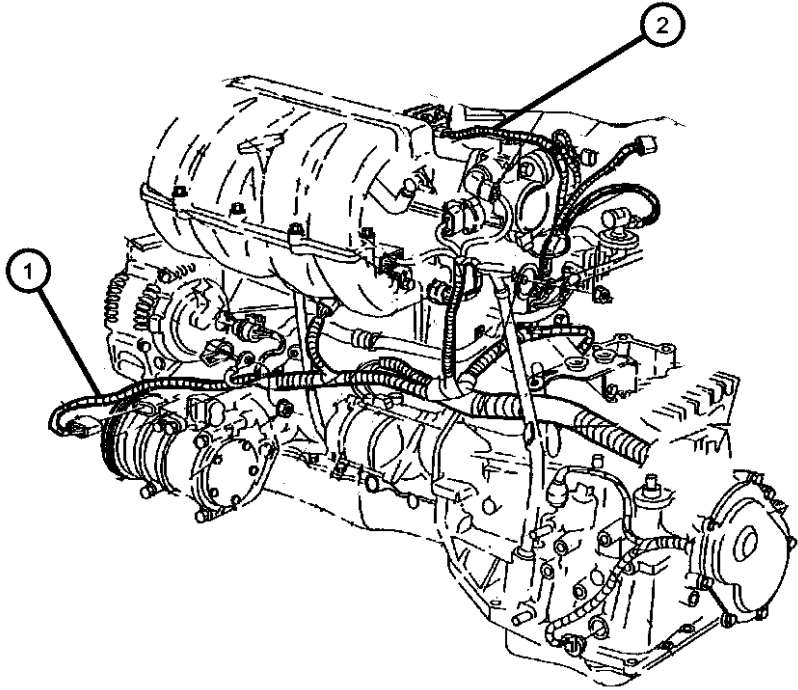
ITEM	PART NUMBER	QTY	LINE	SERIES	BODY	ENGINE	TRANS	TRIM	DESCRIPTION
-16	04728646	1		H					BULB PACKAGE, 50 WattFog Lamp
-17	00153625	1	C, Y						BULB, W10/5
-18	L0000578	2	U, Z						BULB, 578
		2		S					Reading Lamp, Rear
		2		P	53				Reading Lamp, Rear
		2			53				Reading Lamp, Rear



AR = use ase required - = Non illustrated part

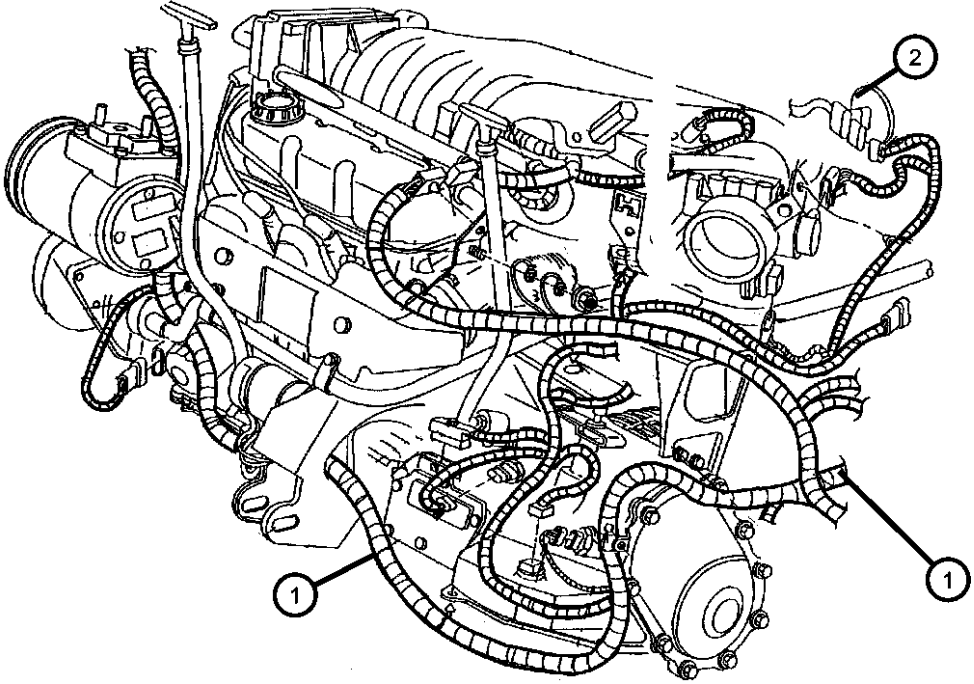
Wiring, Engine And Related Parts
Figure 8-1242

ITEM	PART NUMBER	QTY	LINE	SERIES	BODY	ENGINE	TRANS	TRIM	DESCRIPTION
------	-------------	-----	------	--------	------	--------	-------	------	-------------



NOTE: Sales Code
 ECB = ENGINE - 2.0L 4 CYL SOHC 16V
 EDZ = ENGINE - 2.4L 4 CYL DOHC 16V
 ENC= ENGINE - 2.5L 4 CYL TURBO DIES
 EGA = ENGINE - 3.3L V6 MPI
 EGH = ENGINE - 3.8L V6 MPI
 DGL = TRANSMISSION - AUTOMATIC 4-SPD
 DDF = TRANSMISSION - MANUAL 5-SPEED
 DD3 = TRANSMISSION - MANUAL 5-SPEED

1									WIRING, Engine
	04707793AB	1				EGA, EGH	DGL		
	04707846AC	1			52	ECB	DDF		
	04707847	1				EDZ	DD3		
	04707865AB	1				ENC	DD3		
	04868012AB	1				EDZ	DGL		
2									WIRING, Fuel Rail
	04687267AB	1				EGA			
	04707628	1				EDZ			



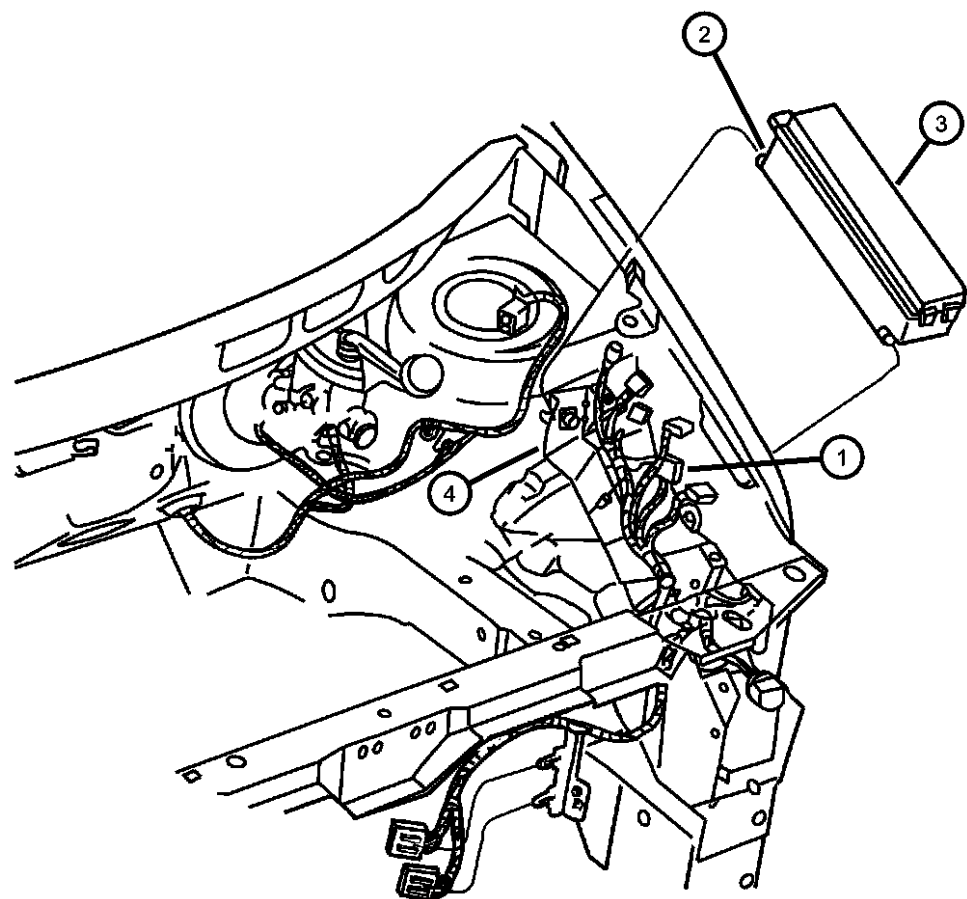
AR = use ase required - = Non illustrated part

Headlamp to Dash Wiring
Figure 8-1342

ITEM	PART NUMBER	QTY	LINE	SERIES	BODY	ENGINE	TRANS	TRIM	DESCRIPTION
------	-------------	-----	------	--------	------	--------	-------	------	-------------

NOTE: The Headlamp to Dash Wiring is included in the Body, Wiring

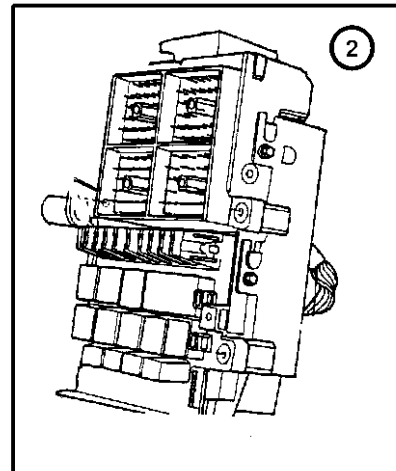
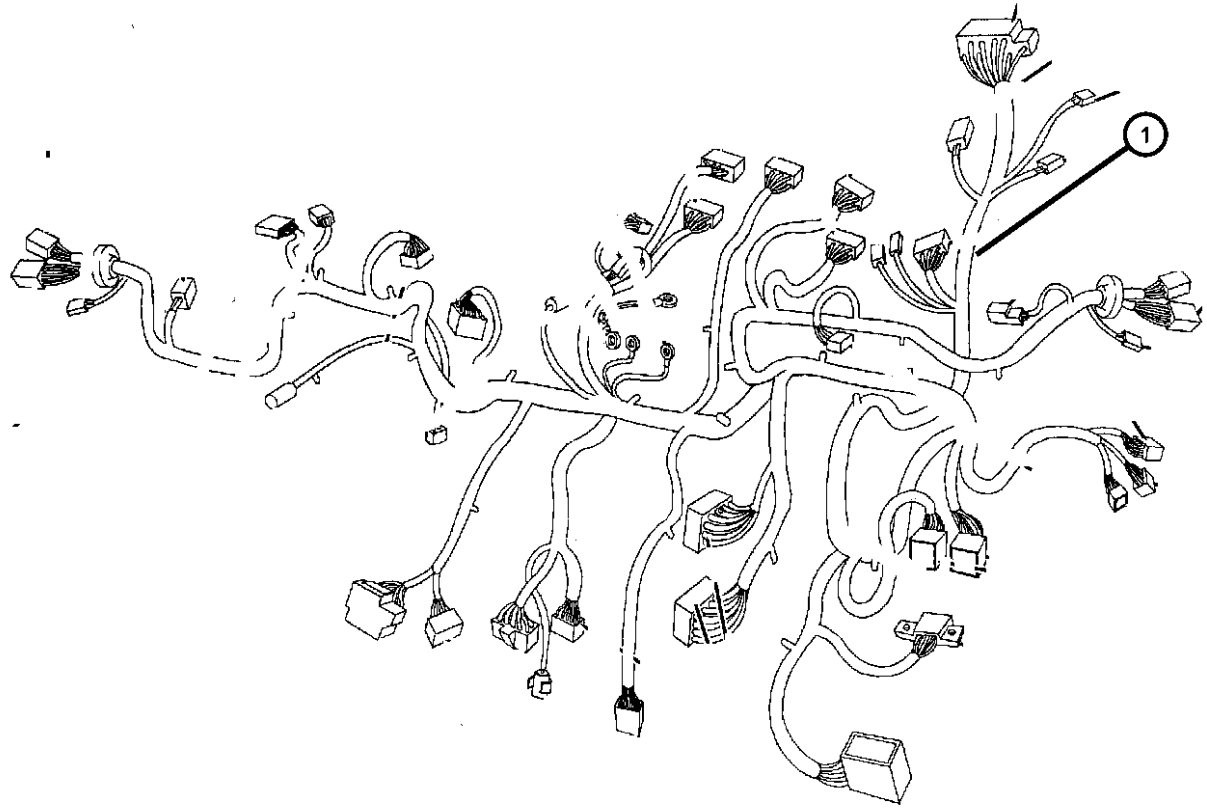
1	04707628	1							WIRING, Headlamp to Dash, See Illus.1505, (NOT SERVICED)
2	04707628	1							POWER DISTRIBUTION CENTER, Serviced in unibody harness, (NOT SERVICED)
3									COVER, Power Distribution Center
	04707777	1				ECB, EDZ, EGA, EGH			
	04707779	1				ENC			
4	04707624	1							BRACKET, Power Distribution Center



AR = use ase required - = Non illustrated part

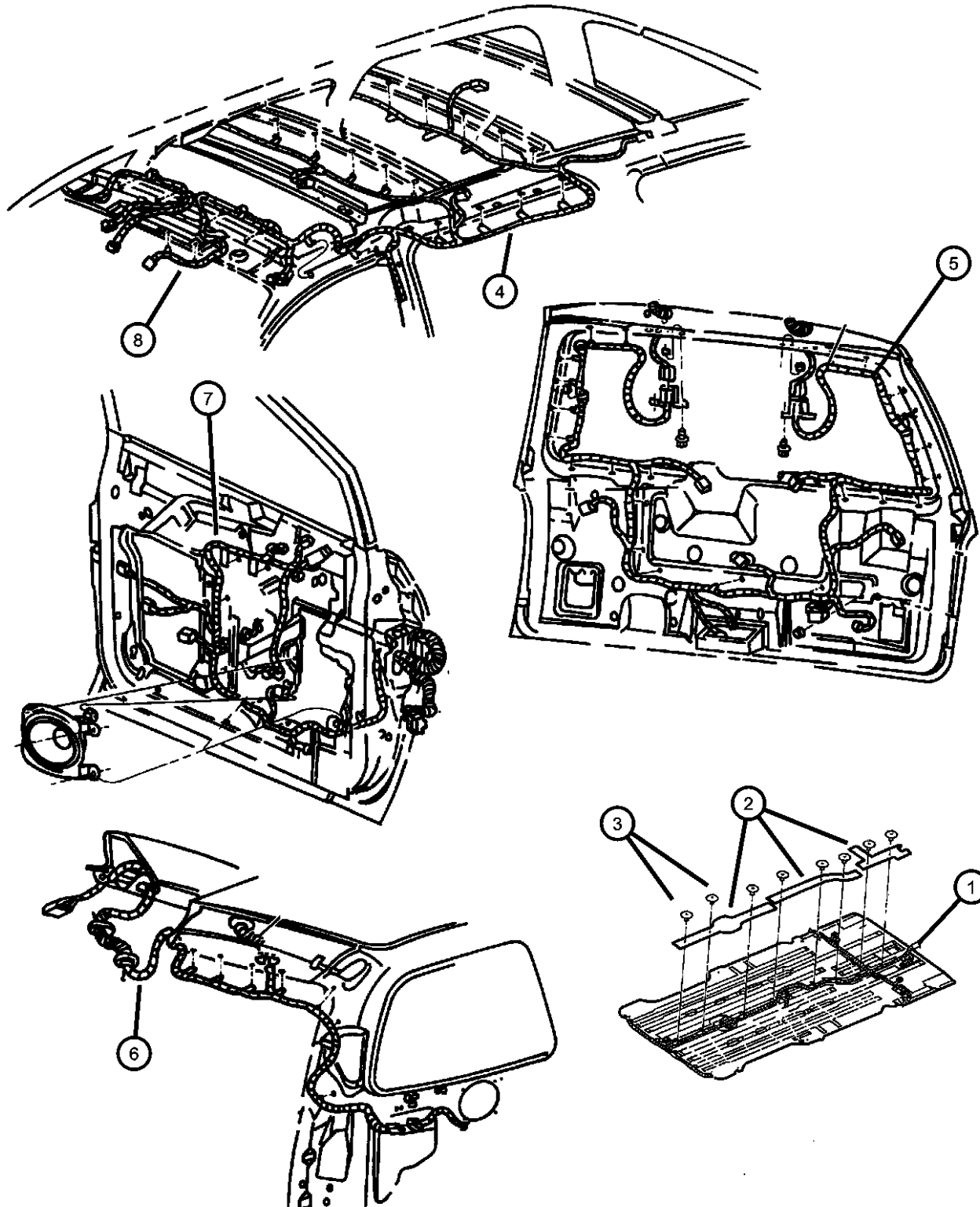
**Wiring, Instrument Panel
Figure 8-1442**

ITEM	PART NUMBER	QTY	LINE	SERIES	BODY	ENGINE	TRANS	TRIM	DESCRIPTION
1									WIRING, Instrument Panel
	04707956	1	C, Y			ECB, EDZ, EGA, EGH			
	04707957	1	C, Y			ENC			
	04707958AB	1	U, Z			ECB, EGA, EGH			
2									JUNCTION BLOCK, Relay
	04707594	1	C						w/o Power Windows or Locks
	04707695	1	C						w/Power Windows & Locks
	04707785	1	C, Y						



AR = use ase required - = Non illustrated part

Wiring, Body, Doors & Misc. Wiring
Figure 8-1542



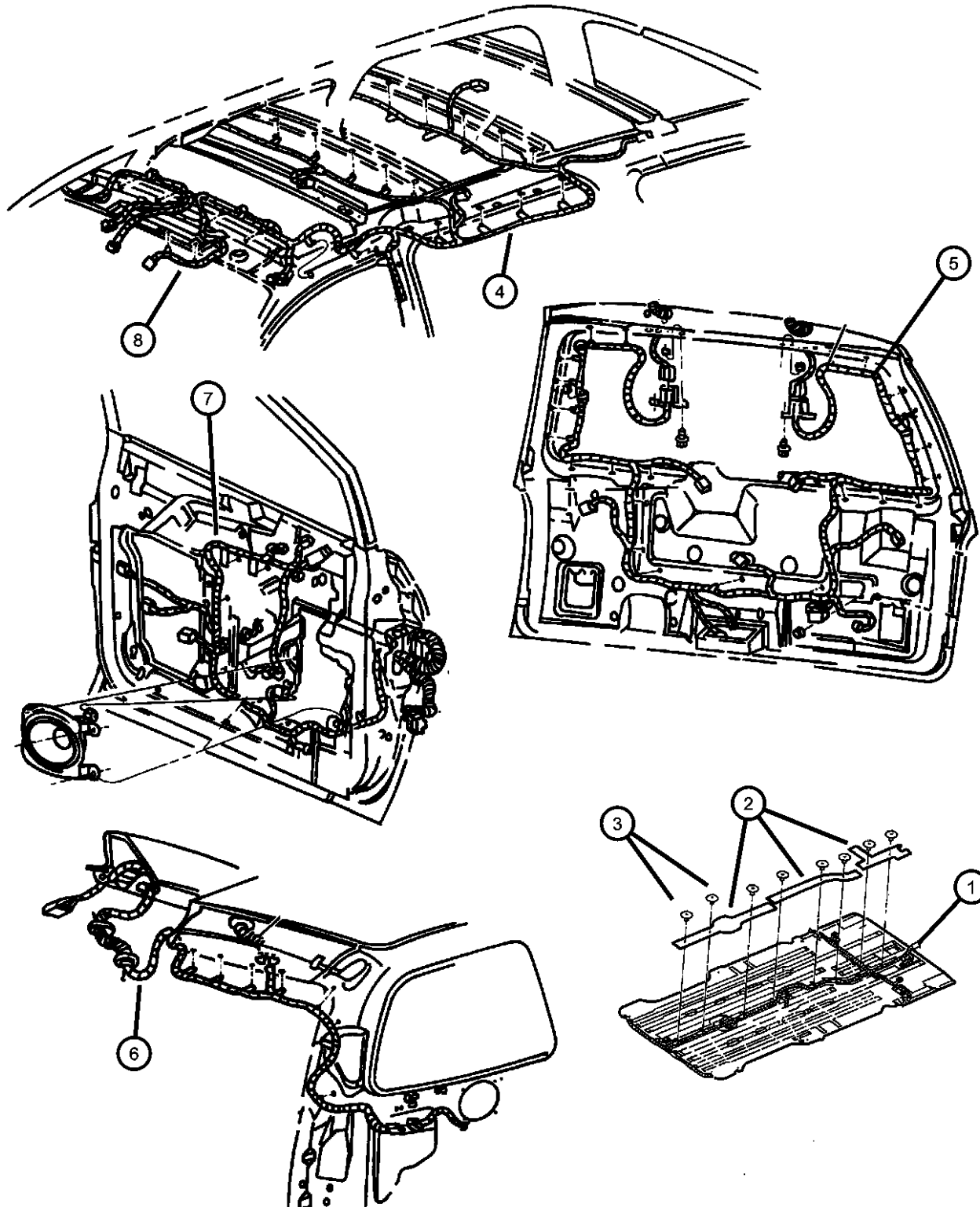
ITEM	PART NUMBER	QTY	LINE	SERIES	BODY	ENGINE	TRANS	TRIM	DESCRIPTION
------	-------------	-----	------	--------	------	--------	-------	------	-------------

NOTE: Sales Code
 ENC = ENGINE - 2.5L 4 CYL TURBO DIES
 ECB = ENGINE - 2.0L 4 CYL SOHC 16V
 EDZ = ENGINE - 2.4L 4 CYL DOHC 16V
 EGA = ENGINE - 3.3L V6 MPI
 EGH = ENGINE - 3.8L V6 MPI

1									WIRING, Unified Body
	04869410	1	C, Y		53	ECB, EDZ, EGA, EGH			ABS
	04869411	1	C, Y		53	ECB, EDZ, EGA, EGH			Without ABS
	04869412	1	C, Y		53	ENC			ABS
	04869413	1	C, Y		53	ENC			Without ABS
	04869414	1	C, Y		52	ECB, EDZ, EGA, EGH			ABS
	04869415	1	C, Y		52	ECB, EDZ, EGA, EGH			Without ABS
	04869416	1	C, Y		52	ENC			ABS
	04869417	1	C, Y		52	ENC			Without ABS
	04869418AC	1	U, Z		53				
	04869419AC	1	U, Z		52				
2									COVER, Floor Pan
	04687830	1							T-Section
	04687833	1			52				SWB,ABS Section
	04687834	1							S-Section
	04707011	1			53				
3									CLIP, Floor Pan Cover Button
	04707616	7			52				
		8			53				
4									WIRING, Dome Lamp
	04707662	1							w/Front & Rear Dome Light
	04868871	1							w/o Front & Rear Dome Light, Overhead Console, Aux.Rear A/C
	04868878	1							w/Aux.Rear A/C, w/o Front & Rear Dome Lights
5									WIRING, Liftgate
	04707554	1							
	04707858	1							Export
	04868055	1							w/Anti-Theft System
6									WIRING, Liftgate Jumper
	04707763	1			53				
	04707862	1			52				
7									WIRING, Door
	04868136	1	C, Y						w/Power Windows, Right Door
	04868137	1	C, Y						w/Power Windows, w/o 8-Way Power Seat, Left Door

AR = use ase required - = Non illustrated part

Wiring, Body, Doors & Misc. Wiring
Figure 8-1542



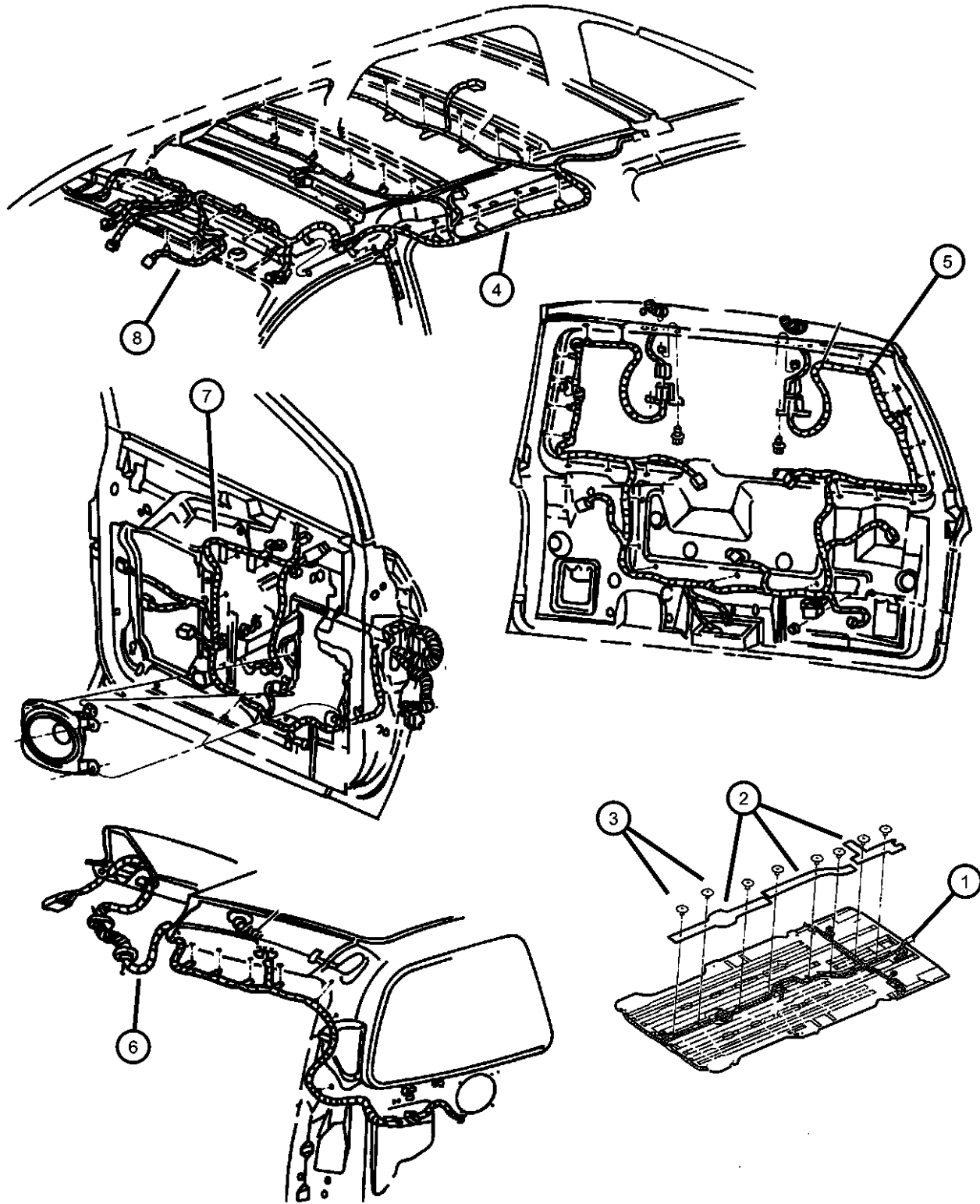
ITEM	PART NUMBER	QTY	LINE	SERIES	BODY	ENGINE	TRANS	TRIM	DESCRIPTION
	04868139	1	C, Y						w/8-Way Power Seat, Left Door
	04868175AB	1	C, Y						w/Power Locks, Left Door
	04868176AB	1							w/Power Locks, Right Door
	04868177	1	Z						w/Power Windows, Left Door
	04868178AB	1	U, Z						w/Power Windows, Right Door
	04868180AC	1	U, Z						w/Power Locks, w/o Power Windows, Right Door
	04868181AB	1	U, Z						w/Power Locks, w/o Power Windows, Left Door
8	04868885	1							WIRING, Mirror Jumper
-9									WIRING, Vacuum Actuation Jumper
	04868884AA	1	C		52				
		1	C		53				
-10	04707884	1	C						WIRING, Fuel Tank Jumper
-11	04676804	1		H, P, S					WIRING, License Lamp
-12	04676805	1							WIRING, High Mounted Stop Lamp
-13	04676901	1							WIRING, Fog Lamp
-14	04762145	1							WIRING, Overhead Console
-15									WIRING, Heater and A/C Dual Zone
	04734083	1							
	04734084	1							
-16	04857125	1							WIRING, CHMSL and Dome Jumper
-17									WIRING, Front End Lighting
	04676803	1	C, Y						
		1	U, Z						
-18	04707538	1				EGA, EGH			WIRING, Clutch Interlock Jumper
-19	05003093AA	1				ENC			WIRING, Underhood Lamp
-20	04883594AA	1	U, Z						HARNES, Air Conditioning Control
-21	04685247	1							POWER OUTLET, Cigar Lighter
-22	04707716	1			53				WIRING, Rear A/C Jumper
-23									WIRING, Radiator Fan
	04809097	1				EDZ, EGA, EGH	DGL		
		1				ECB, EDZ	DD0		
		1				EG0			
-24									WIRING, Power Seat
	04856017	1	C, Y						
	04886372AA	1	Z						
-25									RETAINER, Collar
	04707557	1							Left

AR = use ase required - = Non illustrated part

Wiring, Body, Doors & Misc. Wiring
Figure 8-1542

ITEM	PART NUMBER	QTY	LINE	SERIES	BODY	ENGINE	TRANS	TRIM	DESCRIPTION
------	-------------	-----	------	--------	------	--------	-------	------	-------------

	04707558	1							Right
-26	05014014AA	AR							WIRING, Anti-lock Brake



AR = use ase required - = Non illustrated part

**Wiring Repair Packages
Figure 8-1605**

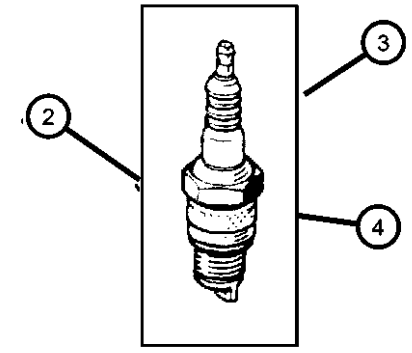
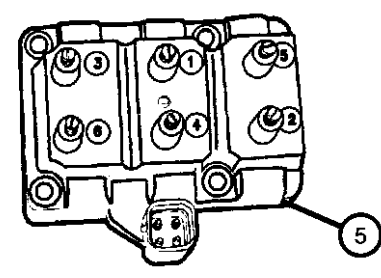
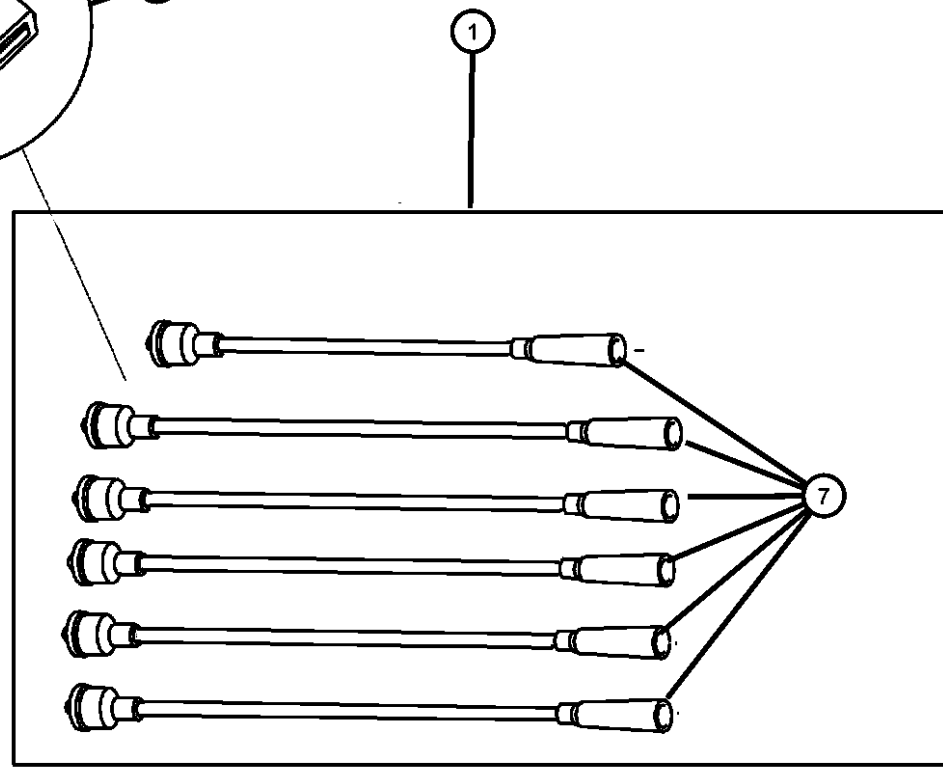
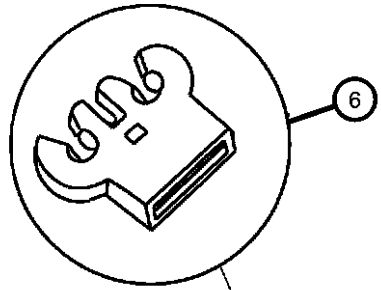
ITEM	PART NUMBER	QTY	LINE	SERIES	BODY	ENGINE	TRANS	TRIM	DESCRIPTION
NOTE: Sales Code: EDZ = 2.4L 4 CYL ENGINE EGA = 3.3L V6 MPI EGH = 3.8L V6 MPI ECB = 2.0L 4 CYL SOHC 16V ENC = 2.5L 4 CYL TURBO DIES. EC0 = ALL 2.0L 4 CYL ED0 = ALL 2.2L, 2.5L, 2.4L, 4CYL ENGINE EG0 = 3.3L, 3.5L, AND 3.8L ENGINE									
-1	05013930AA	1							WIRING PACKAGE, Underhood Connector Repair, For Electrical Connector Repair Information visit the World Wide Web at http://dto.vftis.com/mopar/disclaimer.asp STRAP, Tie
-2	04641780	1	Y, Z			EDZ, EGA			
		1	C			EGH			
		1				EDZ			
		1				ECB			
		1				ENC			
-3	04364375	1				EGA			TUBE, Convoluted
		1				EGH			
		1				ECB			
		1				EDZ			
		1			52	EC0, ED0, EG0			

For Electrical Connector Repair Information visit the World Wide Web at

<http://dto.vftis.com/mopar/disclaimer.asp>

Spark Plugs, Cables, Coils
Figure 8-1905

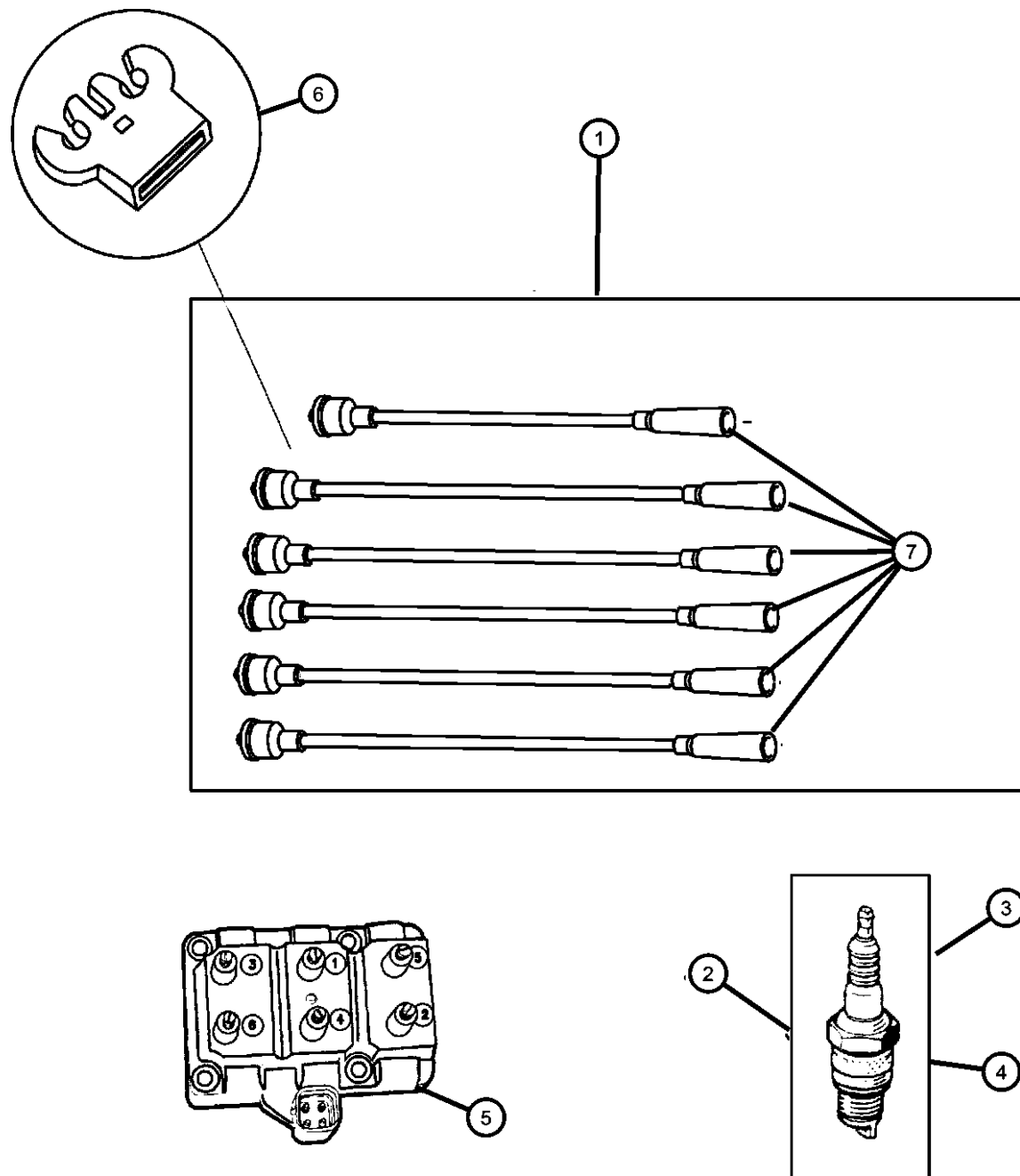
ITEM	PART NUMBER	QTY	LINE	SERIES	BODY	ENGINE	TRANS	TRIM	DESCRIPTION
NOTE : Sales Code									
EDZ = ENGINE - 2.4L 4 CYL DOHC 16V									
ED0 = ENGINES - ALL 2.2,2.5,2.4L									
EGA = ENGINE - 3.3L V6 MPI									
EGH = ENGINE - 3.8L V6 MPI									
ECB = ENGINE - 2.0L 4 CYL SOHC 16V									
DD3 = TRANSMISSION - MANUAL 5-SPEED									
DGL = TRANSMISSION - AUTOMATIC 4-SPD									
1									CABLE PACKAGE, Ignition
	04773841	2				ED0			
		2	C, Y, Z			EDZ	DD3		
		2				EDZ	DGL		
	04797685	1				EGA			
	SPT98330								Mopar Super Tune Kit 3.3L (98)
	SPT99330								Mopar Super Tune Kit 3.3L (99-00)
	SPT99380								Mopar Super Tune Kit 3.8L (99)
	SPW07685AA								Mopar V-Line Alternative Part
		1				EGH			
	SPT98330								Mopar Super Tune Kit 3.3L (98)
	SPT99330								Mopar Super Tune Kit 3.3L (99-00)
	SPT99380								Mopar Super Tune Kit 3.8L (99)
	SPW07685AA								Mopar V-Line Alternative Part
	04883233	1				ECB			
	SPW03893AA								Mopar V-Line Alternative Part
2	04609079	4				EDZ			SPARK PLUG, RC-12-YC5
	OSP00446								Canadian Aftermarket Part
3									SPARK PLUG, RN-14-PMP5
	04727114	6				EGA			
	OSP00466								Canadian Aftermarket Part
		6				EGH			
	OSP00466								Canadian Aftermarket Part
4	05269897	4				ECB			SPARK PLUG, RC-9-YC
5									COIL, Ignition
	04443971	1				EGA			
		1				EGH			
	05269670	1				ECB			
		1				EDZ			
6	05233610	2				EGA			SEPERATOR, Ignition Cable
7									CABLE, Ignition
	04672113	2				EDZ			Cable #2,3
	04672114	2				EDZ			Cable #1,4
	04686711	1				EGA			Cable #1



AR = use ase required - = Non illustrated part

Spark Plugs, Cables, Coils
Figure 8-1905

ITEM	PART NUMBER	QTY	LINE	SERIES	BODY	ENGINE	TRANS	TRIM	DESCRIPTION
		1				EGH			Cable #1
	04686712	1				EGA			Cable #2
		1				EGH			Cable #2
	04686714	1				EGA			Cable #4
		1				EGH			Cable #4
	04686715	1				EGA			Cable #5
		1				EGH			Cable #5
	04686716	1				EGA			Cable #6
		1				EGH			Cable #6
	04686913	1				EGA			Cable #3
		1				EGH			Cable #3
	05269577	1				ECB			Cable #1
	05269578	2				ECB			Cable #2,3
	05269667	1				ECB			Cable #4
-8									BRACKET, Ignition Wire Seperator
	04686155	1				EGA			Left Bank
		1				EGH			Left Bank
	05234507	1				EGA			Right Bank
		1				EGH			Right Bank
-9									CLIP, Ignition Wire
	04686219	1				EGA			
		1				EGH			
-10	04686247	1				EDZ			SHIELD, Coil
-11									SHIELD, Ignition Cable
	04686250	1				EGA			
		1				EGH			
-12									RETAINER, Ignition Cable
	05269579	1				ECB			Two Cable Clip
	05269580	1				ECB			To PVC Hose, One Cable Clip



AR = use ase required - = Non illustrated part

Group - 08A

Instrument Panel and Radios and Consoles

Group - 08A Instrument Panel and Radios and Consoles

Group-Fig. No.

Illustration Title

Instrument Panel

Instrument Panel Fig. 08A - 145

Instrument Panel Cluster

Cluster, Instrument Panel..... Fig. 08A - 245

Radio, Antenna, and Speakers

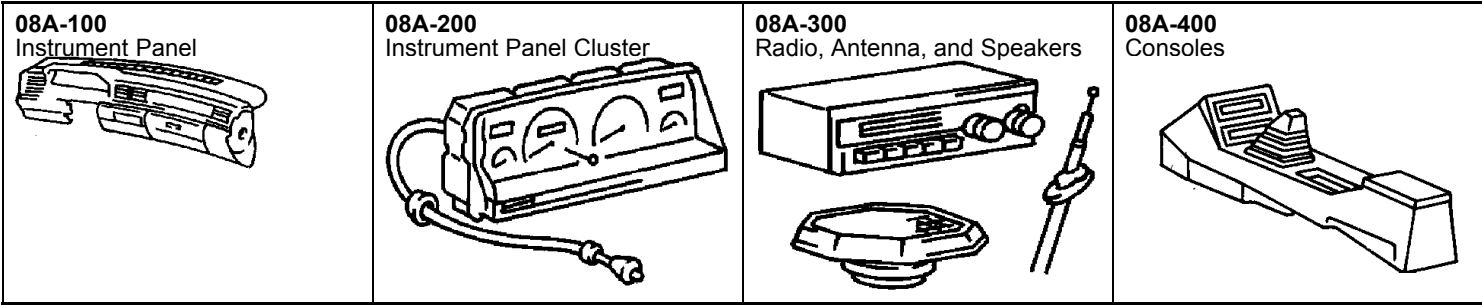
Radios..... Fig. 08A - 345

Speakers..... Fig. 08A - 350

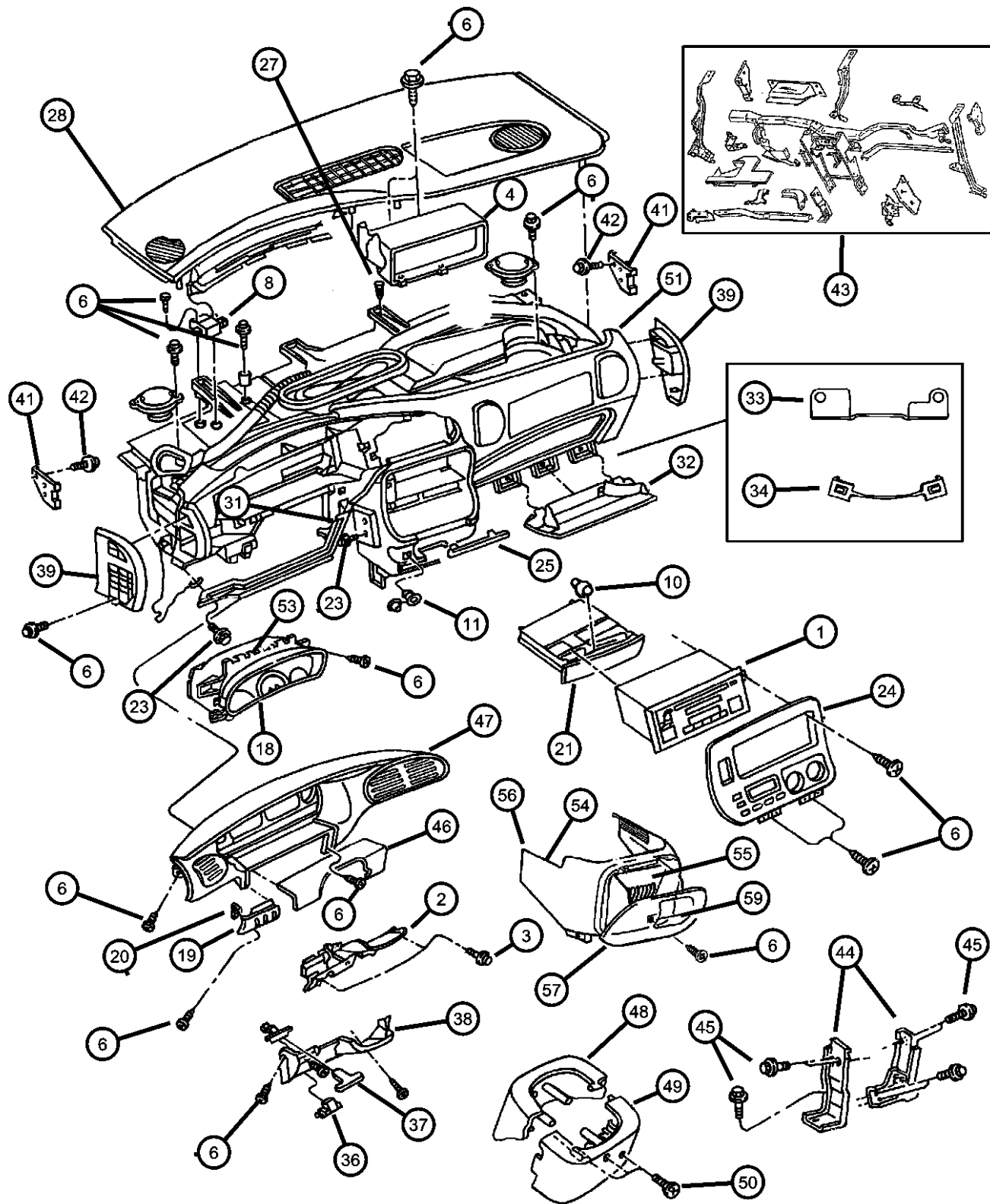
Antenna..... Fig. 08A - 360

Consoles

Consoles-Overhead and Floor Fig. 08A - 445



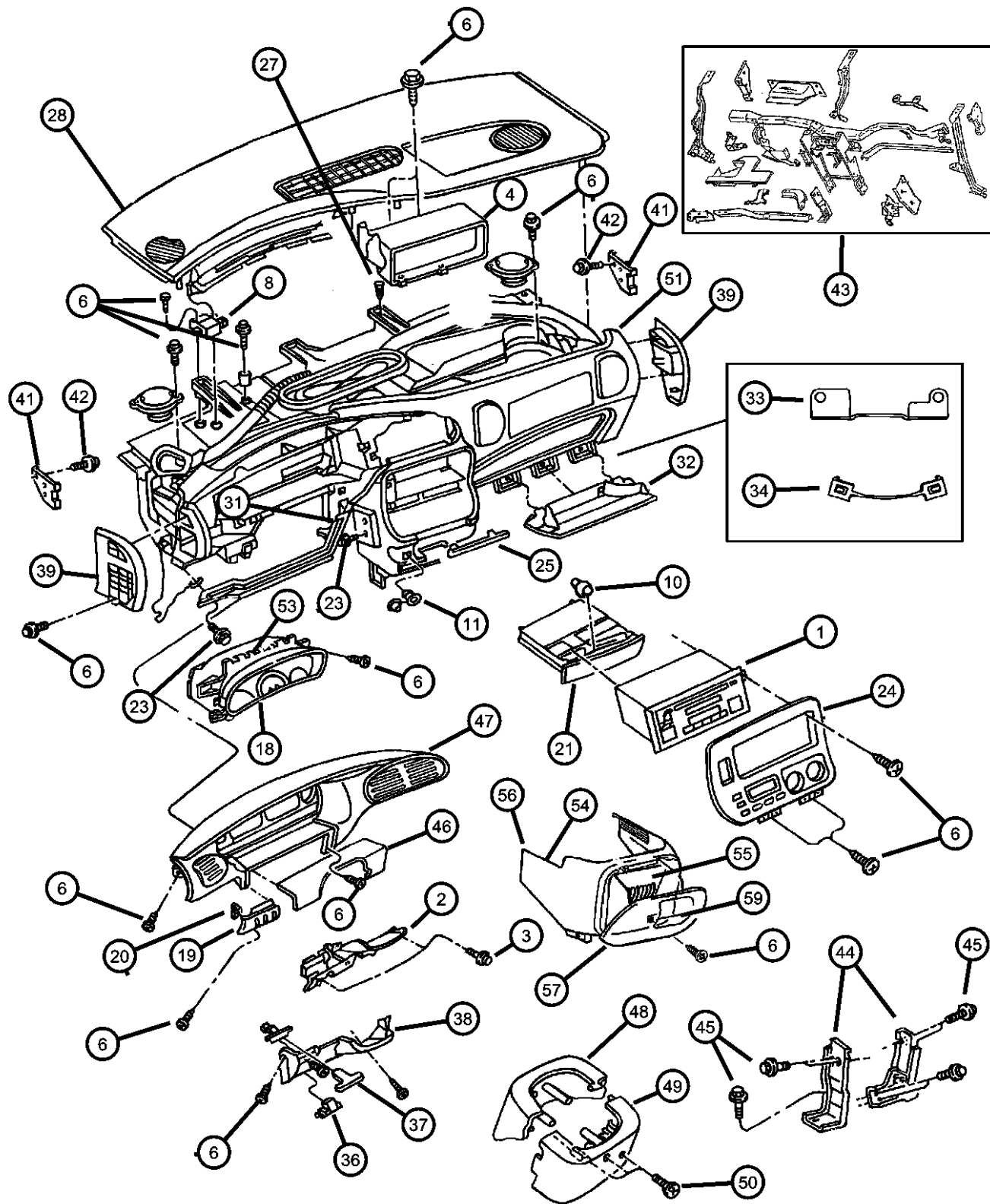
Instrument Panel
Figure 08A-145



ITEM	PART NUMBER	QTY	LINE	SERIES	BODY	ENGINE	TRANS	TRIM	DESCRIPTION
1	05269580	1							RADIO, See Illus.345, (NOT REQUIRED),
2									PLATE, Steering Column Cover
	04678667	1			C, Y				
	04678672	1			U, Z				
3	06501476	10							SCREW, Tapping, Annular Ring, M6x1.00x15.00
4									AIR BAG, Passenger
	04680343	1			C				
		1							
-5	04678230	1							LABEL, Air Bag
6	06032723	2							SCREW, Self Tapping, M4.2x1.69x19.05
-7									BRACKET, Instrument Panel
	04678657	1			C, Y				
	04678665	1			U, Z				
8									MODULE, Keyless Entry Receiver
	04686087	1							
	04686475	1							Australia Equipment Group
-9									MODULE, Warning Indicator
	04685651	1			C, Y				All Engines Except Diesel
	04685652	1			U, Z				
	04685654	1			C, Y				w/Diesel Engine
10	04685459	1			C, Y				HOOD, Ash Receiver Lamp
11	04685535	1							BASE, Cigar Lighter
-12	04685248AB	1							CAP, Cigar Lighter
-13	04685536	1							KNOB AND ELEMENT, Cigar Lighter
-14	04685247	1							POWER OUTLET, Cigar Lighter
-15	04685371AB	1							LAMP, Cigar Lighter
-16	04685660	1			Z				LAMP, Ash Receiver
-17	04685661	1			Z				COVER, Ash Receiver Opening
18	04685661	1							CLUSTER, See Illus.#245, (NOT REQUIRED)
19	04685661	1							SWITCH AND BEZEL, Lighting Control, See Illus. #845, (NOT REQUIRED)
20									SWITCH, Mirror
	04685317	1							Folding Mirrors
	04685564	1			U, Z				
21									ASH RECEIVER AND CUP HOLD, Instrument Panel
	0HX88SC3	1			C, Y				Mist Gray
	0HX88SK5	1			C, Y				Camel Tan
	0JH99RC3	1			Z				Mist Gray

AR = use ase required - = Non illustrated part

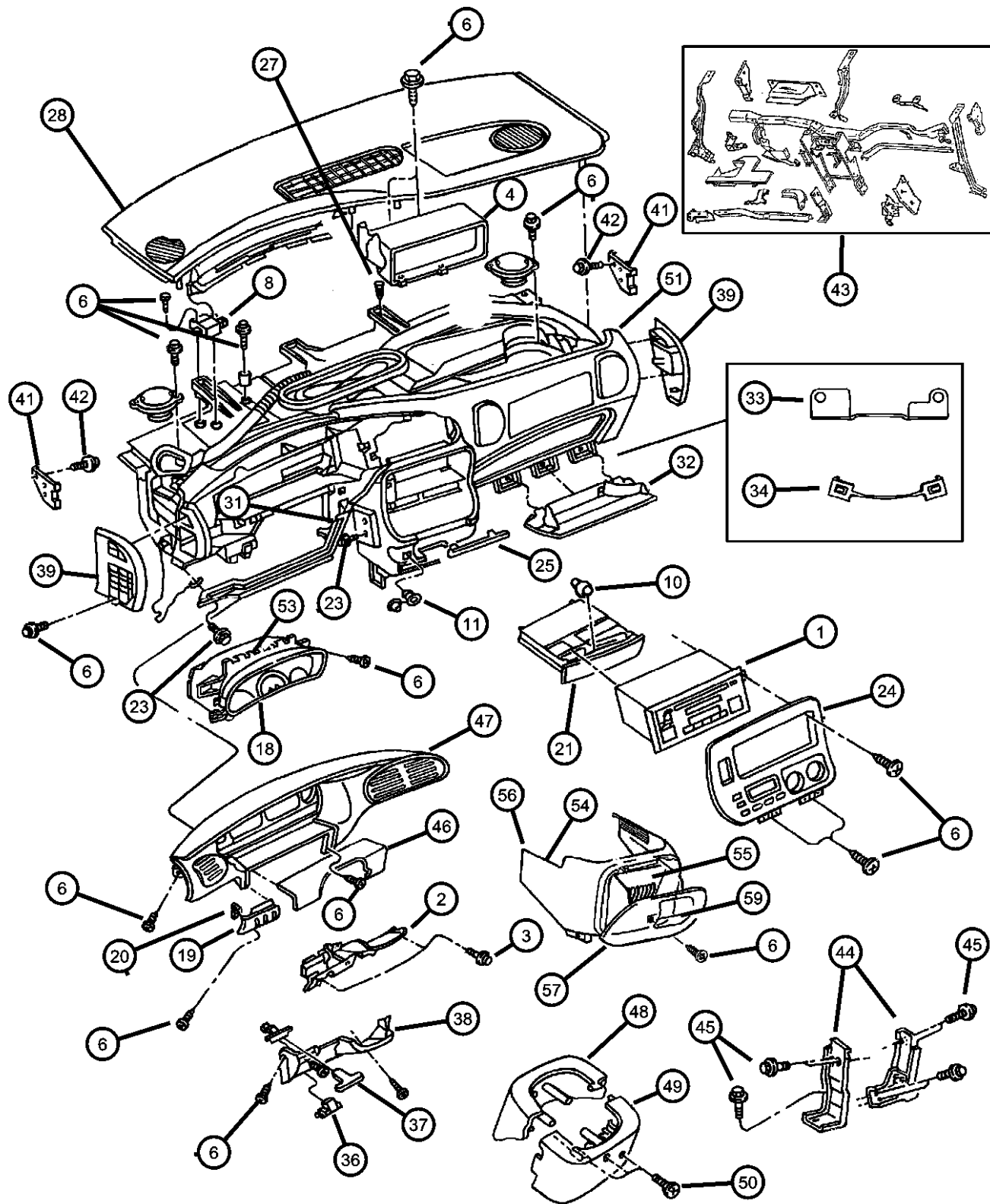
Instrument Panel
Figure 08A-145



ITEM	PART NUMBER	QTY	LINE	SERIES	BODY	ENGINE	TRANS	TRIM	DESCRIPTION
	0JH99RK5	1	Z						Camel Tan
-22	04678607	1	C, Y						MAT, Instrument Panel
		1	U, Z						
23	06101777	1							SCREW, Hex Flange Head Tapping, M6x1.00x20.00
24	06101777	1							CONTROL, A/C And Heater, See Group 024, Illus. 310-, (NOT REQUIRED)
25									FILLER, Lower Instrument Panel
	0JJ03RC3	1	U, Z						Gray
	0JJ03RK5	1	U, Z						Tan
-26	06503942	4							NUT/SPRING, Push On, For M3 Stud, Ashtray Receiver Attaching
27	06504324	8							SCREW AND WASHER, Hex Head
28									COVER, Instrument Panel
	0PY62SX8	1	C						Black
	04678770	1	U, Z						
	04678773	1	C, Y						
-29									SILENCER, Instrument Panel Left
	04678161	1	C, Y						
	04678368	1	U, Z						
-30									RETAINER, Instrument Panel Bezel
	04678537	2	C, Y						Silencer Attaching
		2	Z						Silencer Attaching
31									CLIP, Instrument Panel Top Cove
	04678499	5	C, Y						
		5	U, Z						
32									GLOVEBOX PACKAGE, Instrument Panel
	04882019	1	C, Y						Mist Gray
	04882020	1	C, Y						Silverfern
	04882021	1	C, Y						Camel Tan
33	04882016	1	C						STRIKER, Glove Box Door Latch
34									STRAP, Glove Box
	04882014	2	C, Y						
		2	U, Z						
-35									LATCH, Glovebox
	0HZ06SC3	1	C, Y						Gray
	0HZ06SK5	1	C, Y						Tan
	0QQ46RC3	1	U, Z						Gray
	0QQ46RK5	1	U, Z						Tan

AR = use ase required - = Non illustrated part

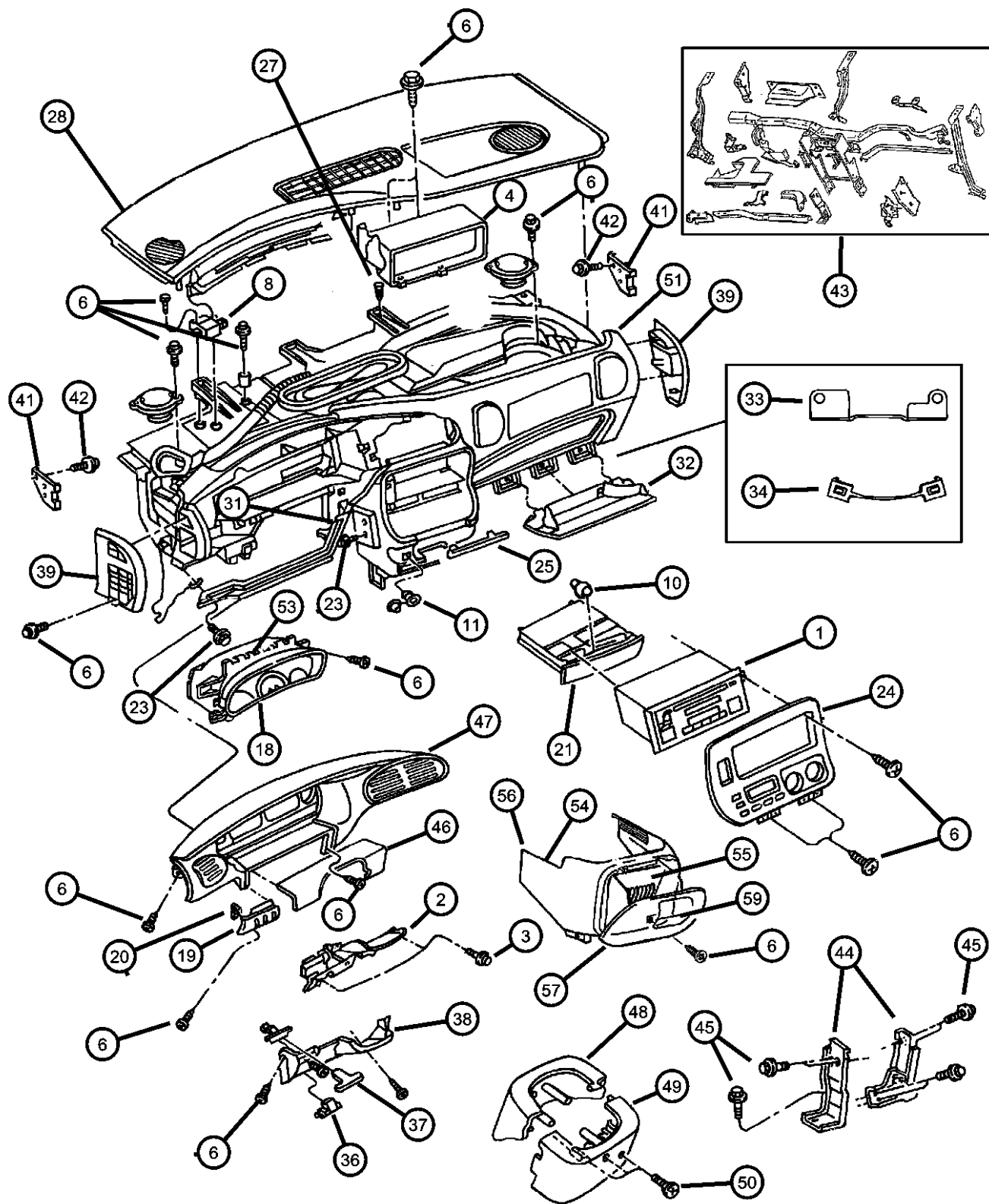
Instrument Panel
Figure 08A-145



ITEM	PART NUMBER	QTY	LINE	SERIES	BODY	ENGINE	TRANS	TRIM	DESCRIPTION
36	0QQ46RK5	1							RELEASE, Parking Brake, See Group #4 Illus. 142, (NOT REQUIRED),
37									HANDLE, Parking Brake
	0HV18RC3AB	1	C, Y						Mist Gray
	0HV18RK5AB	1	C, Y						Camel Tan
38									COVER, Instrument Panel, Steering Column Opening
	0JJ02RC3	1	U, Z						Mist Gray
	0JJ02RK5	1	U, Z						Camel Tan
	0PR36SC3	1	C, Y						Mist Gray, Automatic Transmission
	0PR36SK5	1	C, Y						Camel Tan, Automatic Transmission
	0PR37SC3	1	C, Y						Mist Gray, Manual Transmission
	0PR37SK5	1	C, Y						Camel Tan, Manual Transmission
39									CAP, Instrument Panel End
	04678159	1	C, Y						Left
	04678350	1	Z						Right
	0GN53SC3	1	C						Gray, Right
	0GN53SK5	1	C						Silverfern, Right
	0JS43RC3	1	U, Z						Gray, Left
	0JS43RK5	1	U, Z						Tan, Left
-40	04685164	1							COVER, Glove Box Lamp Hole
41									BRACKET, Instrument Panel to Cowl
	04678417	1	C, Y						Left
	04678418	1	C, Y						Right
	04678445	1	U, Z						Left
	04678446	1	U, Z						Right
42	04678446	1							SCREW, (NOT SERVICED)
43									REINFORCEMENT, Instrument Panel
	04678153	1	C, Y						Instrument Panel Center Mtg.
	04678585	1	Z						Instrument Panel Center Mtg.
	04716601	1	C, Y						BRACE, Instrument Panel to Floor
44									Right
	04678196	1							Left
	04678555	1							SCREW, Hex Head, M8x1.25x20
45	06101758	1	Z						BEZEL, Instrument Panel
46									Over Steering Column
	04678359	1	Z						

AR = use ase required - = Non illustrated part

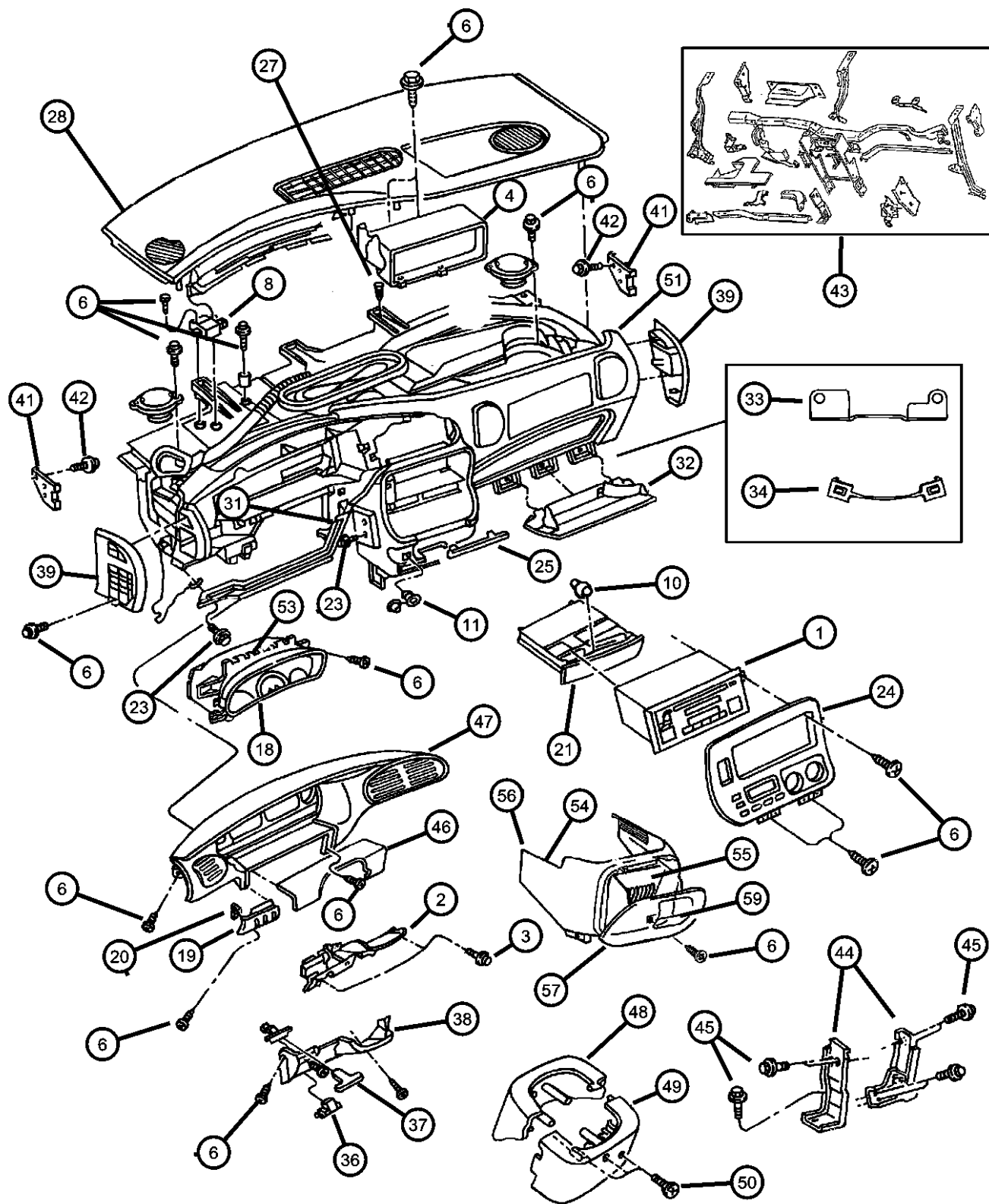
Instrument Panel
Figure 08A-145



ITEM	PART NUMBER	QTY	LINE	SERIES	BODY	ENGINE	TRANS	TRIM	DESCRIPTION
	0PH57SX8	1	C, Y						Over Steering Column, w/o Traction Control
	0PX58JX8	1	C, Y						Over Steering Column, w/Traction Control
47									BEZEL, Instrument Cluster
	0PE03SX8	1	C, Y						Black
	0PF781X8	1	U, Z						Black
48									SHROUD, Lock Housing
	0GR70SC3	1							Mist Gray
	0GR70SK5	1							Camel Tan
49									COVER, Steering Column Bearing
	0GR71SC3	1							Mist Gray
	0GR71SK5	1							Camel Tan
50	0GR71SK5	1							SCREW, Self Piercing, .164-15-1, (NOT SERVICED),
51									PANEL, Instrument Upper
	0MK99RC3	1	U, Z						Gray
	0MK99RK5	1	U, Z						Tan
	0PC64SC3	1	C, Y						Mist Gray
	0PC64SK5	1	C, Y						Camel Tan
-52									PANEL, Instrument Lower
	0MH01RC3	1	U, Z						Gray
	0MH01RK5	1	U, Z						Tan
	0PH54SC3	1	C, Y						Gray
	0PH54SK5	1	C, Y						Tan
53	0PH54SK5	1							BOARD, Circuit, See Illus. 245, (NOT REQUIRED),
54									COVER, Floor Brace
	0LD92SC3	1	C, Y						Mist Gray, Diesel
	0LD92SK5	1	C, Y						Camel Tan, Diesel
55									BIN, Floor Console
	04678320	1	Z						CD & Cassette Storage
		1	C, Y						RETAINER, Floor Console
56									
	0QC83SC3	1	C, Y						Mist Gray
	0QC83SK5	1	C, Y						Camel Tan
	0QR36RC3AA	1	Z						Mist Gray
	0QR36RK5AA	1	Z						Camel Tan
57									DOOR, Forward Console
	0HZ37SC3	1	Z						Mist Gray
	0HZ37SK5	1	Z						Camel Tan
-58									BUMPER, Floor Console Bin

AR = use ase required - = Non illustrated part

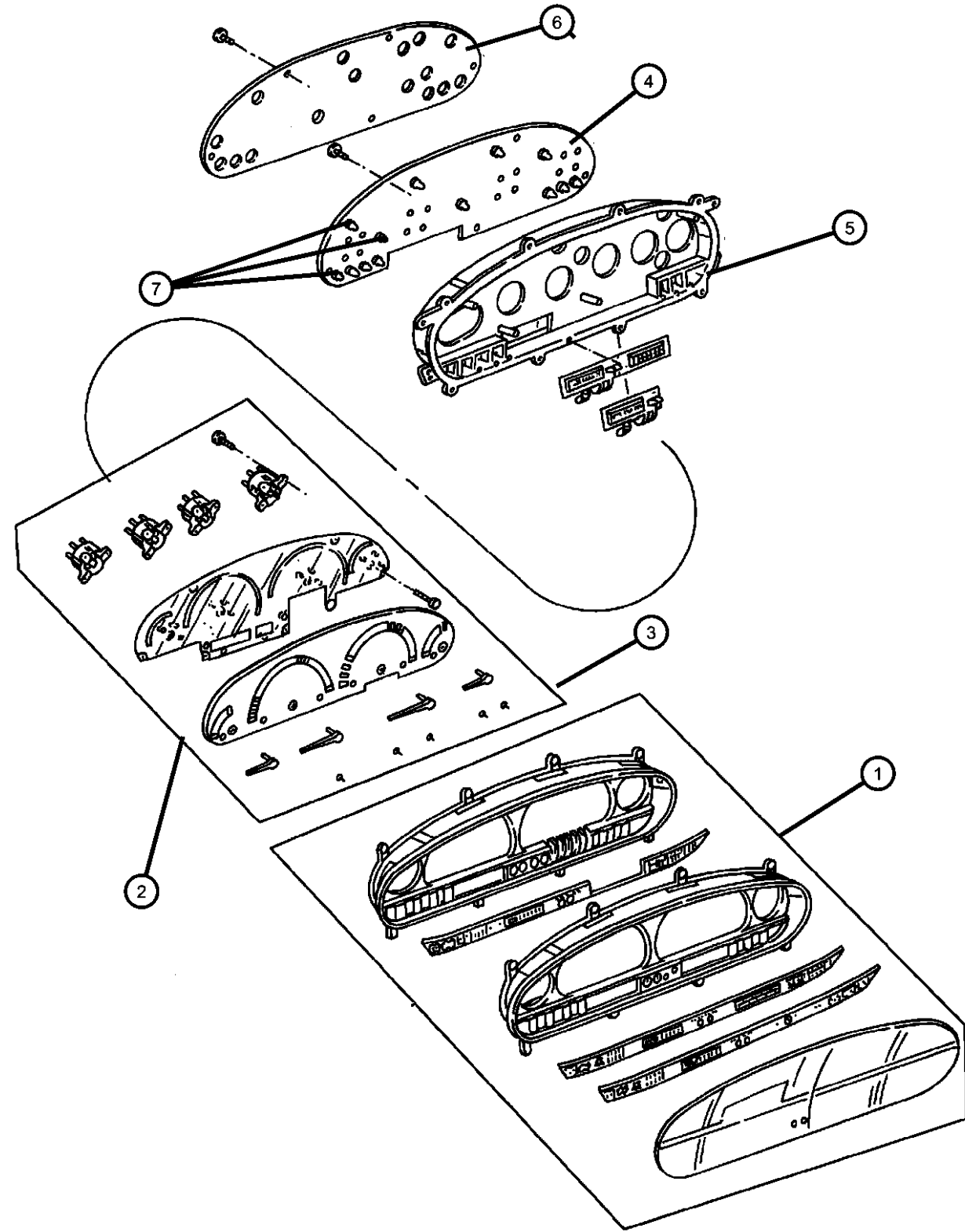
Instrument Panel
Figure 08A-145



ITEM	PART NUMBER	QTY	LINE	SERIES	BODY	ENGINE	TRANS	TRIM	DESCRIPTION
	04678382	2	Z						
59		2	C, Y						LATCH, Forward Console Door
	0HZ44SC3	1	Z						Mist Gray
		1	C, Y						Mist Gray
	0HZ44SK5	1	Z						Camel Tan
		1	C, Y						Camel Tan

AR = use ase required - = Non illustrated part

Cluster, Instrument Panel
Figure 08A-245



ITEM	PART NUMBER	QTY	LINE	SERIES	BODY	ENGINE	TRANS	TRIM	DESCRIPTION
1									MASK AND LENS, Instrument Cluster
	04874434	1							Diesel
	04874436	1							Manual Transmission
	04874438	1							Automatic Transmission
2									GAUGE, Odometer
	04762809	1							2.0 , 2.4L Engine & 2.5L Diesel Engine, Manual Transmission , Automatic Transmission
	04874443	1							
3									GAUGE, Subdial
	04762800	1							2.5L Diesel Engine
	04778142	1							
	04874439	1							United Kingdom, Automatic Transmission
	04886055AA	1							2.0L Engine, w/6500 RPM Tach, Manual Transmission
	04886056AA	1					U, Z		2.0L Engine, United Kingdom, Manual Transmission
4									BOARD, Circuit
	04874440	1							Automatic Transmission
		1					Z		Automatic Transmission
	04874442	1							2.0L & 2.4L Engine, Manual Transmission
		1							2.4L dIESEL, Manual Transmission
5	04762812	1							HOUSING, Instrument Cluster
6	04762816	1							COVER, Instrument Cluster
7	L00PC194	10							LAMP, Bulb And Socket
-8	L0000074	4							BULB, 74

AR = use ase required - = Non illustrated part

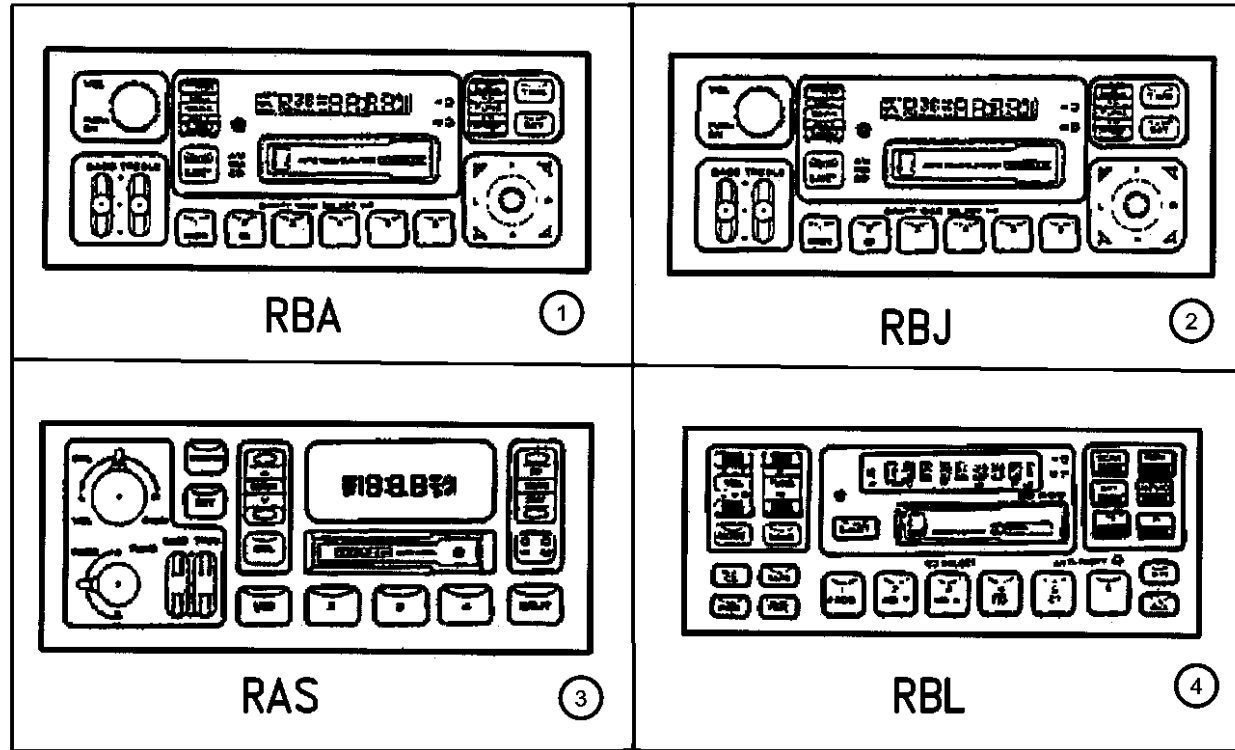
Radios
Figure 08A-345

ITEM	PART NUMBER	QTY	LINE	SERIES	BODY	ENGINE	TRANS	TRIM	DESCRIPTION
------	-------------	-----	------	--------	------	--------	-------	------	-------------

NOTE SALES CODE -
RBA - AM/FM CASS, CHANGER
RBJ - AM/FM CASS, CHANGER
RAS - AM/FM CASSETTE
RBL - AM/FM/MW/LW/RDS CASS/CHG

1	04704392AB	1							
2	04704393AB	1							
3	04858556	1							
4	04704345	1							

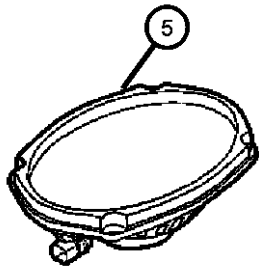
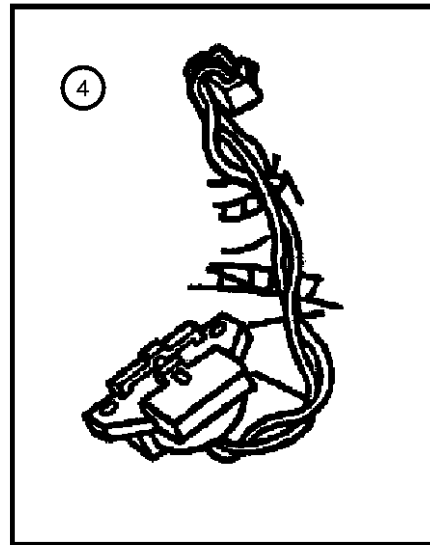
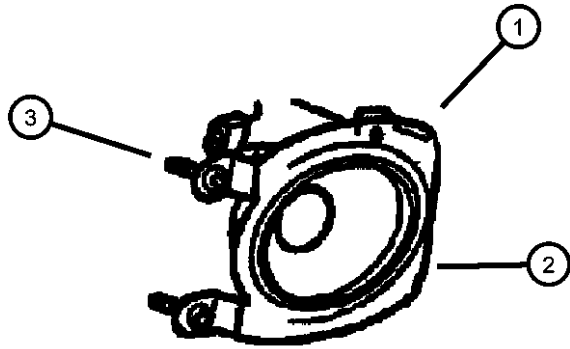
RADIO, AM/FM with CD, (RBA)
RADIO, AM/FM with CD, (RBJ)
RADIO, AM/FM Cassette, (RAS)
RADIO, FM/MW/LW-RDS and
Cassette, Sales Code (RBL)



AR = use ase required - = Non illustrated part

Speakers
Figure 08A-350

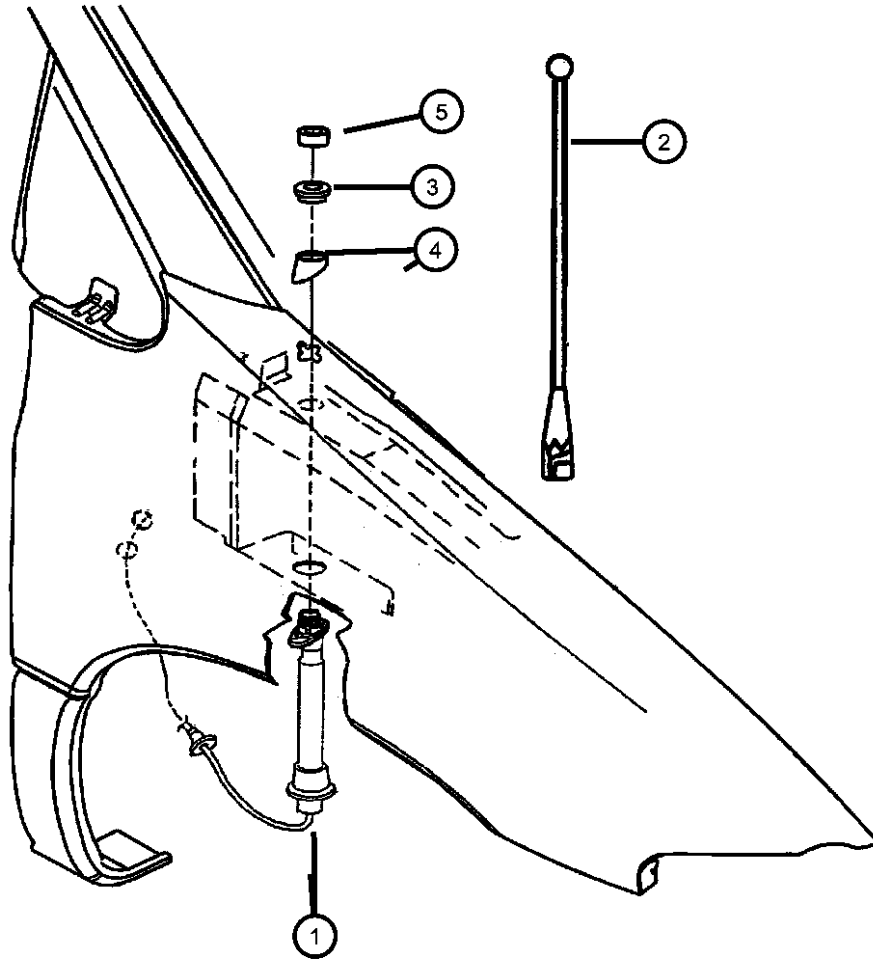
ITEM	PART NUMBER	QTY	LINE	SERIES	BODY	ENGINE	TRANS	TRIM	DESCRIPTION
1	04685603	2							SPEAKER, Front Door Infinity
	04685694	2							Infinity w/Bracket
2	04685403	2							SPEAKER, Instrument Panel 5.25 Infinity
	04685714	2							5.25 Standard
3	06032723	4							SCREW, Self Tapping, M4.2x1.69x19.05Instrument Panel Speaker, Mounting CHOKE, Speaker
4	04685450	1							SPEAKER, Rear, 6x9
5	04685610	2							[RCE]
	04685615	2							[RCD]



AR = use ase required - = Non illustrated part

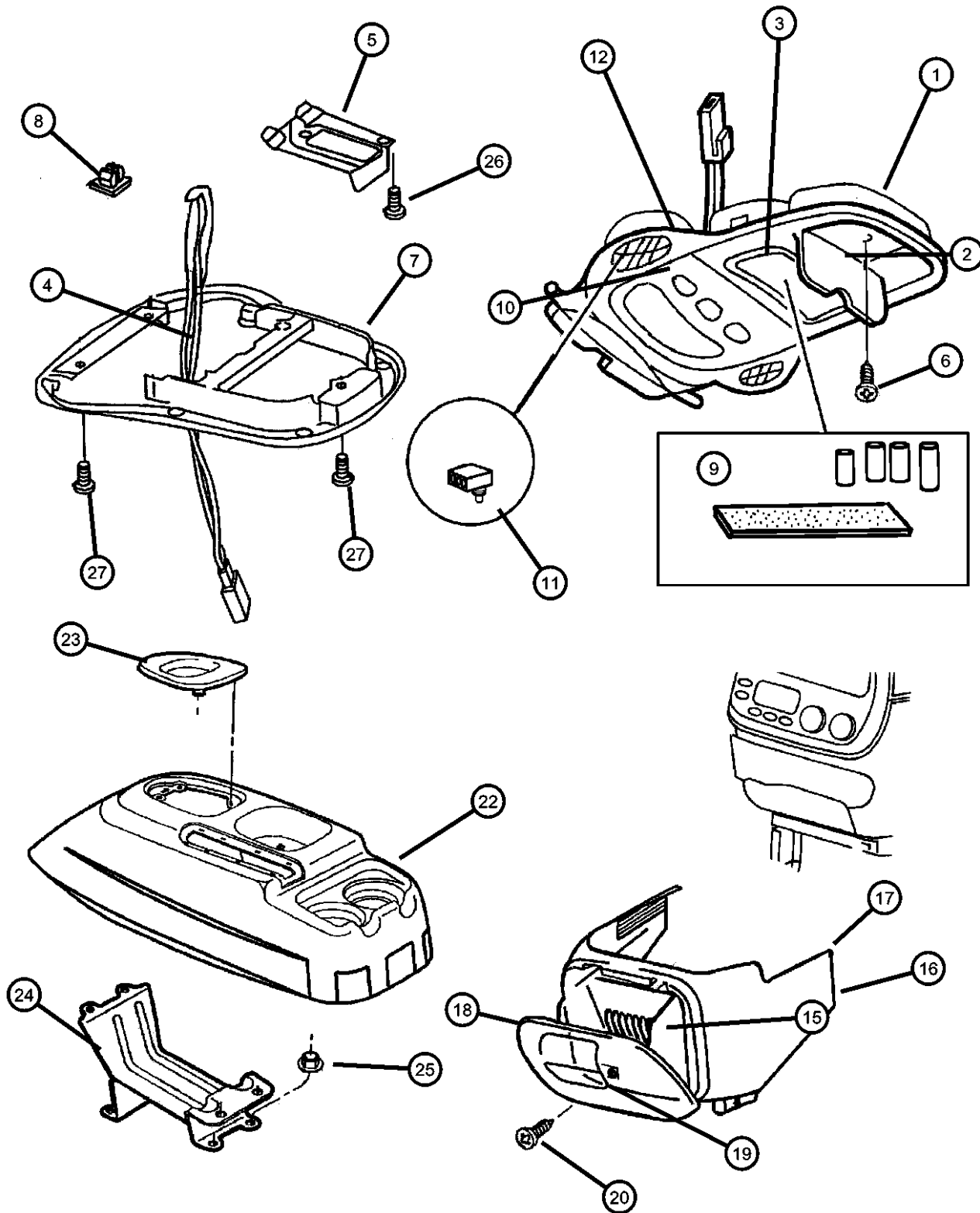
**Antenna
Figure 08A-360**

ITEM	PART NUMBER	QTY	LINE	SERIES	BODY	ENGINE	TRANS	TRIM	DESCRIPTION
1	04685596AB	1	C, Y						CABLE, Antenna, Antenna LHD
2	04685574	1							MAST, Antenna, Black, Spiral Ground Black
3	04685301	1							CAP NUT, Antenna, Black
4	04685417	1							ADAPTER, Antenna, Antenna
5	04685498	1							SHROUD, Antenna Cap Nut, Cap Nut Antenna
-6	04685599AB	1	U, Z						CABLE, Antenna Extension, Antenna RHD



AR = use ase required - = Non illustrated part

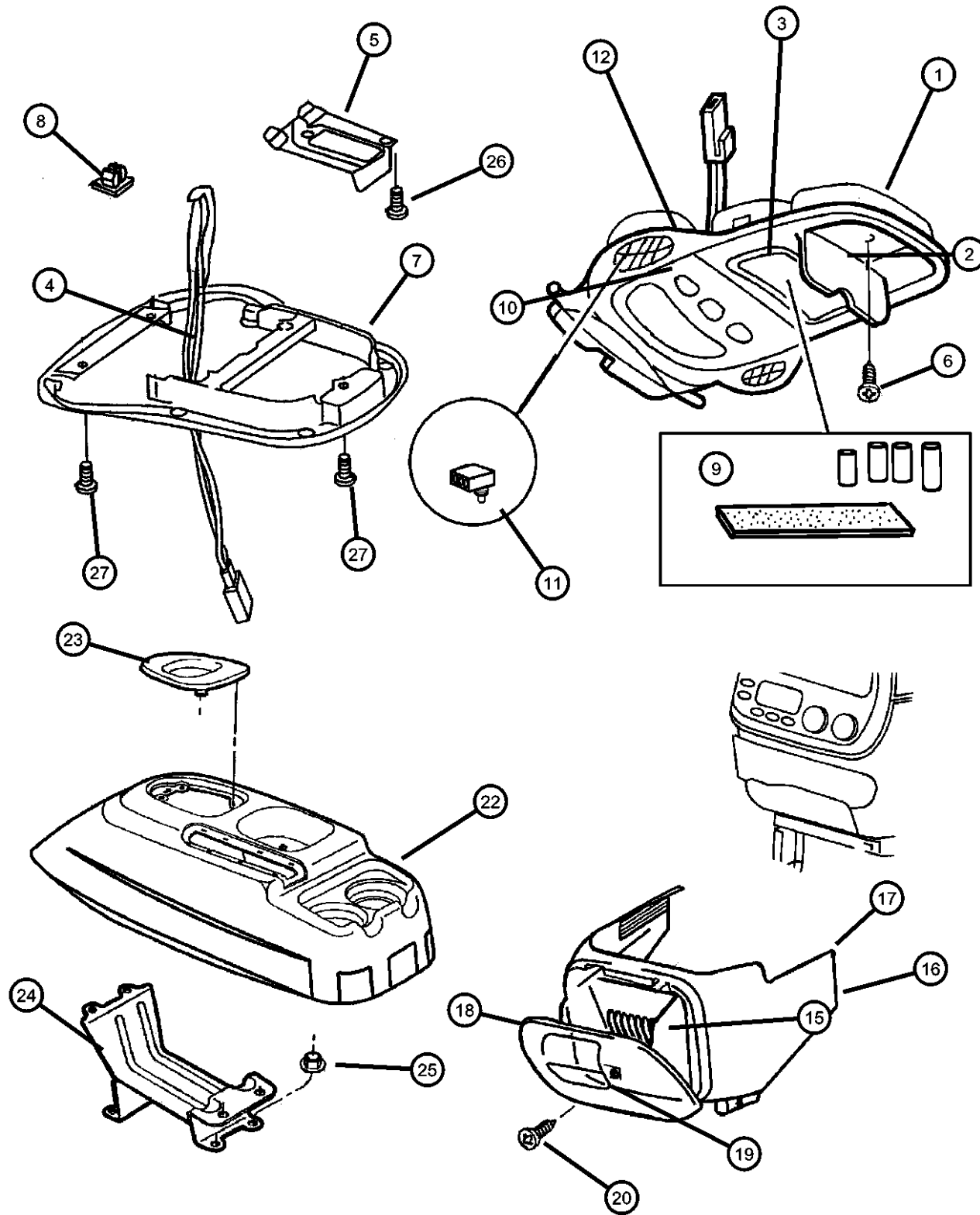
Consoles-Overhead and Floor
Figure 08A-445



ITEM	PART NUMBER	QTY	LINE	SERIES	BODY	ENGINE	TRANS	TRIM	DESCRIPTION
1	0KN01SC1	1							HOUSING, Overhead Console Blue
	0KN01SK4	1							Tan
2	04762153	1							DOOR, Sunglass Bin
3	04762154	1							DOOR, Garage Door Opener
4	04762145	1							WIRING, Overhead Console
5	04685240	1							BRACKET, Overhead Console
6	06034945	1							SCREW AND WASHER, Flat Head Tapping, .164-18x.5
7	04685348	1							RETAINER, Overhead Console
8	06035498	2							NUT, Spring Type, .164-7.5
9	04798405	1							ADAPTER, Garage Door Button
10	04762152	1							LENS, Reading Lamp
11	04685445	2							SWITCH, Reading Lamp
12	04685368AB	1							MODULE, Compass Temperature
-13									LENS, Maplamp
	04762148	1							Right
	04762149	1							Left
-14	00154762	2							BULB, 579, # 579
15									BIN, Floor Console
	04678320	1			U, Z				w/CD & Cassette Storage
		1			C, Y				w/CD & Cassette Storage
16									COVER, Floor Brace
	0LD92SC3	1			C, Y				Mist Gray
	0LD92SK5	1			C, Y				Camel Tan
17									RETAINER, Floor Console
	0LD92SC3	1			C, Y				Mist Gray, w/Diesel
	0LD92SK5	1			C, Y				Camel Tan, w/Diesel
18									DOOR, Forward Console
	0HZ37SC3	1			U, Z				Gray
	0HZ37SK5	1			U, Z				Tan
19									LATCH, Forward Console Door
	0HZ44SC3	1			Z				Mist Gray
		1			C, Y				Mist Gray
	0HZ44SK5	1			Z				Silverfern
		1			C, Y				Silverfern
20	06032723	2							SCREW, Self Tapping, M4.2x1.69x19.05
-21									BUMPER, Floor Console Bin
	04678382	2			Z				
		2			C, Y				
22									COVER, Floor Console Side

AR = use ase required - = Non illustrated part

Consoles-Overhead and Floor
Figure 08A-445



ITEM	PART NUMBER	QTY	LINE	SERIES	BODY	ENGINE	TRANS	TRIM	DESCRIPTION
	0KS17RC3	1							Mist Gray
	0KS17RK5	1							Camel Tan
	0QS92RC3AA	1	U, Z						Mist Gray
	0QS92RK5AA	1	U, Z						Camel Tan
23									COVER, Floor Shifter
	0PW72RC3	1	Z						Mist Gray
	0PW72RK5	1	Z						Agate
24	04754708	1							BRACKET, Floor Cover
25	06501483	4							NUT, Hex Flange, M8x1.25Park
26	06501483	4							Brake Cover Bracket
27	06035997AA	3							SCREW, .164-18x.375, (NOT SERVICED)
									SCREW AND WASHER, Pan Head

AR = use ase required - = Non illustrated part

Group - 9

Engine Mounting

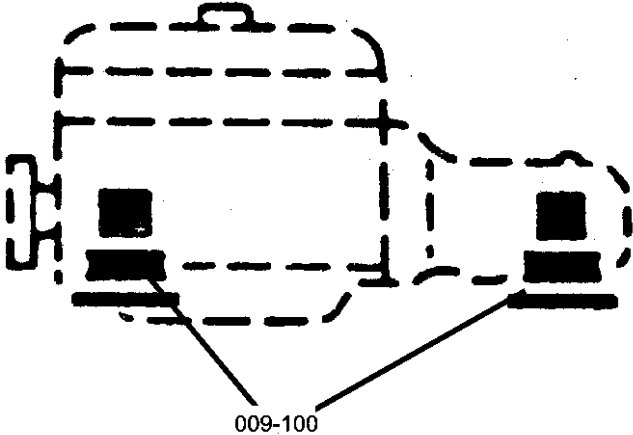
Group - 9 Engine Mounting

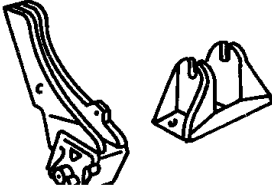
Illustration Title

Group-Fig. No.

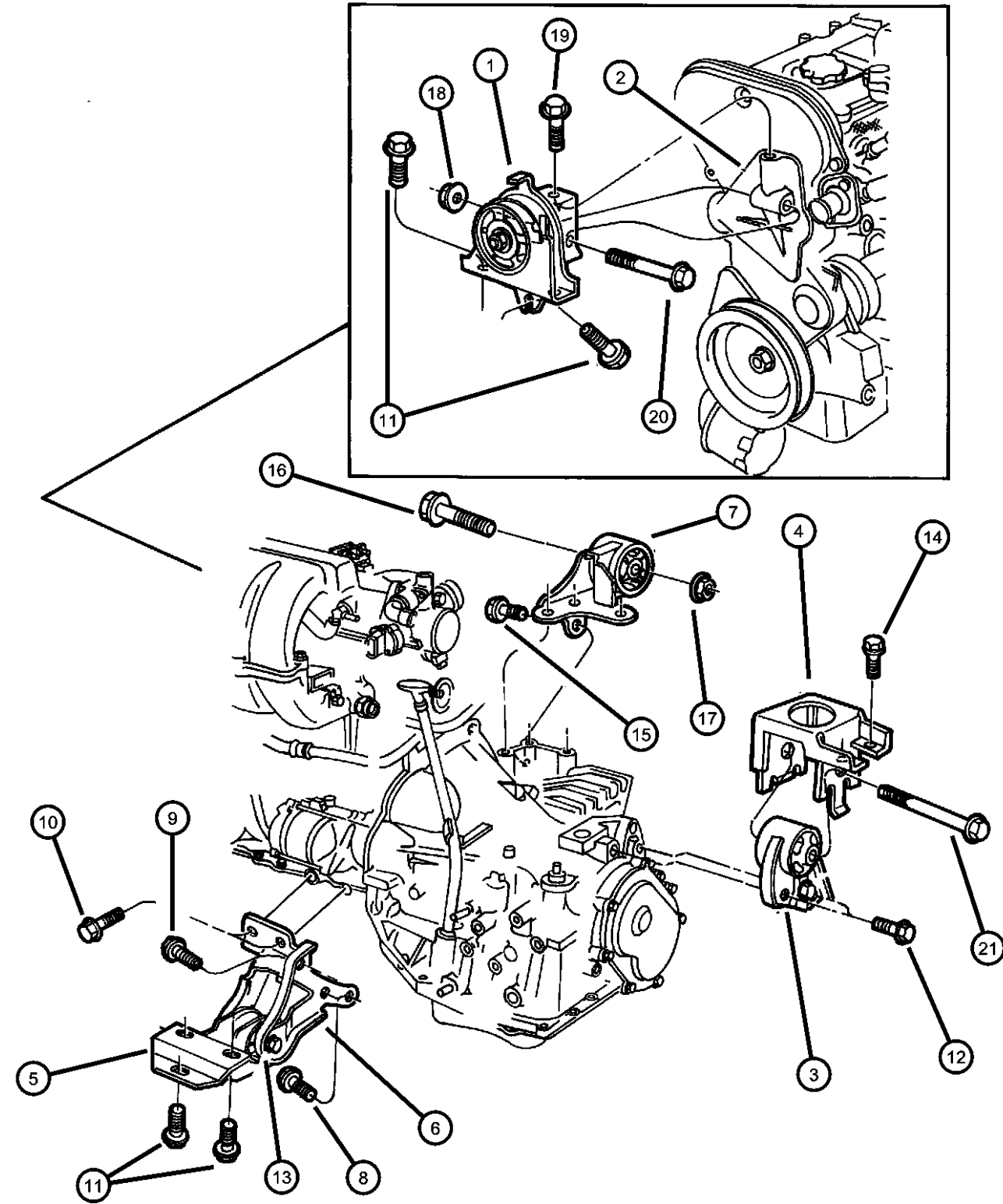
Engine Mounting

Engine Mounting 2.0L Engine (ECB,ECH).....	Fig. 9 - 110
Engine Mounting 2.4L Engine (EDZ)	Fig. 9 - 120
Engine Mounting 3.3L-3.8L Engine (EGA-EGH).....	Fig. 9 - 130
Engine Mounting AWD Transfer Unit	Fig. 9 - 140
Engine Mounting 2.5L Diesel Engine (ENC)	Fig. 9 - 150



<p>009-100 Engine Mounting</p> 			
------------------------------------------------------------------------------------------------------------------------------	--	--	--

**Engine Mounting 2.0L Engine (ECB,ECH)
Figure 9-110**

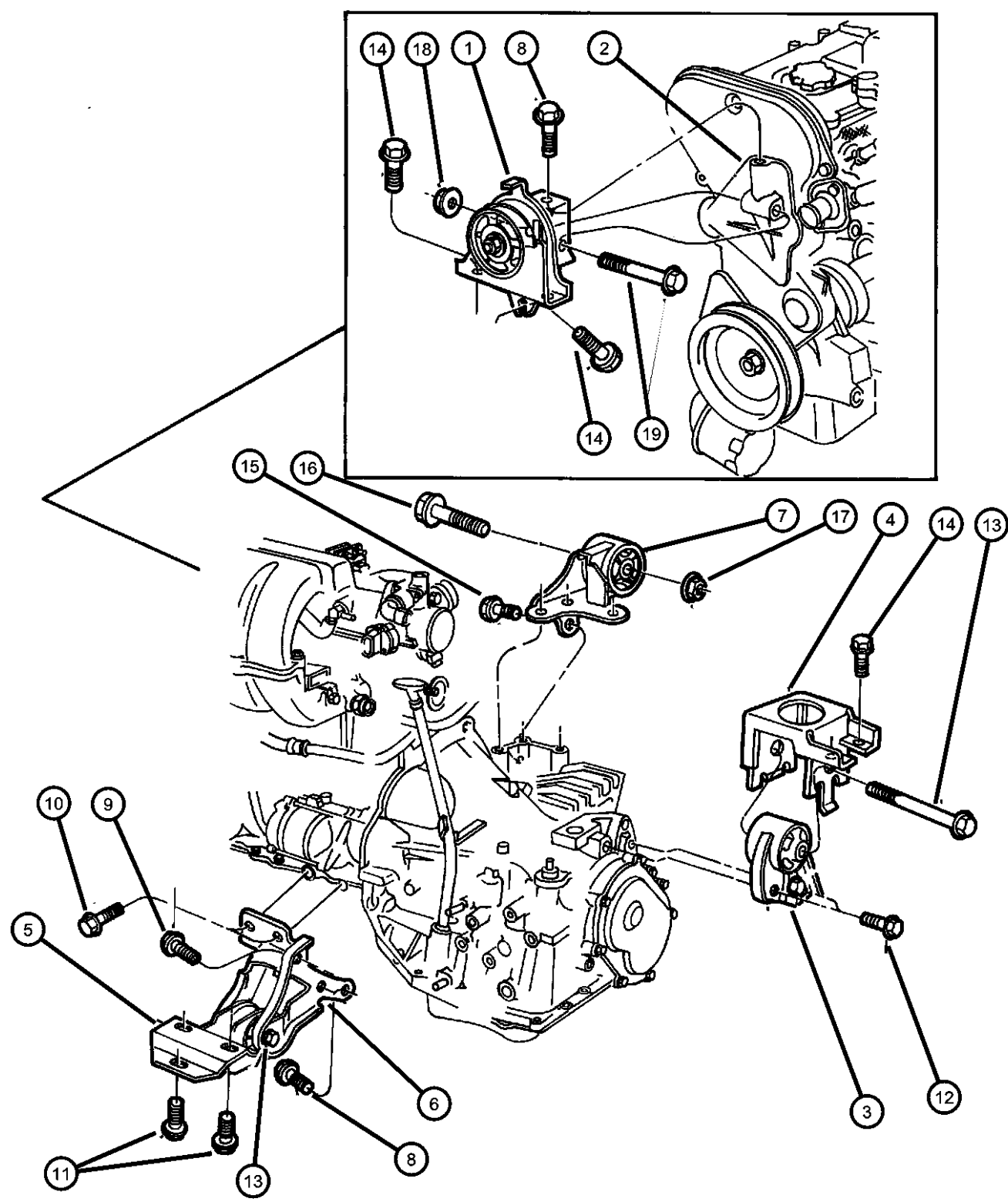


ITEM	PART NUMBER	QTY	LINE	SERIES	BODY	ENGINE	TRANS	TRIM	DESCRIPTION
NOTE: Sales Codes: ECB=2.0L 4CYL. SOHC 16V EDZ=2.4L 4CYL. DOHC 16V ENC=2.5L 4CYL. TURBO DIESEL DD3=5 Speed Manual Transmission DDF=5 Speed Manual Transmission									
1	04612367	1	Y			ECB, EDZ			SUPPORT, Engine Mount, RightRight
2	04612750	1				ECB			BRACKET, Engine MountRight
3	04612951	1				ECB, ENC			BRACKET AND ISOLATOR, Engine Mount to Transmission, Left
4	04612409	1							BRACKET, Engine Mount
5	04612431	1				ECB			SUPPORT, Engine Mount
6	04612777	1				ECB			BRACKET, Engine Mount
7	04861320	1				ECB, EDZ, DD3, DDF			SUPPORT, Engine
8	06503900	1				ENC			SCREW AND WASHER, Hex Head, M12x1.75x40
9	06504386	1				ECB, EDZ			SCREW, Hex Flange Head
10	06101502	2				ECB, EDZ, ENC			SCREW AND WASHER, Hex Head, M10x1.5x25
11	06504618	3							SCREW AND WASHER, Hex Head, M10-1.50x32
12	06101524	1				ECB			BOLT AND WASHER, Hex Head, M10x1.5x30
13	06101623	1				ECB			SCREW AND WASHER, Hex Head, M10x1.5x105
14	06503119	3							SCREW AND WASHER, Hex Head, M10x1.5x40
15	06502505	1							SCREW AND WASHER, Hex Head, M12x1.75x90
16	06501633	1							BOLT AND CONED WASHER, Hex Head, M10x1.5x112
17	06502979	1				ECB			NUT AND WASHER, Hex, M10x1.5
18	06502697	1							NUT, Hex Flange Lock, M12x1.75
19	06503900	1				ECB			SCREW AND WASHER, Hex Head, M12x1.75x40
20	06502505	1							SCREW AND WASHER, Hex Head, M12x1.75x90
21	06503341	1							BOLT, Hex Head, M10x1.50x125
-22	04668238	1					DDF		STRUCTURAL COLLAR, Oil Pan To Engine
-23	06503703	1				ECB			BOLT, Hex Head, M10x1.50x100
-24	06504704	1				ECB			STUD, Engine Mount

AR = use ase required - = Non illustrated part

Engine Mounting 2.4L Engine (EDZ)

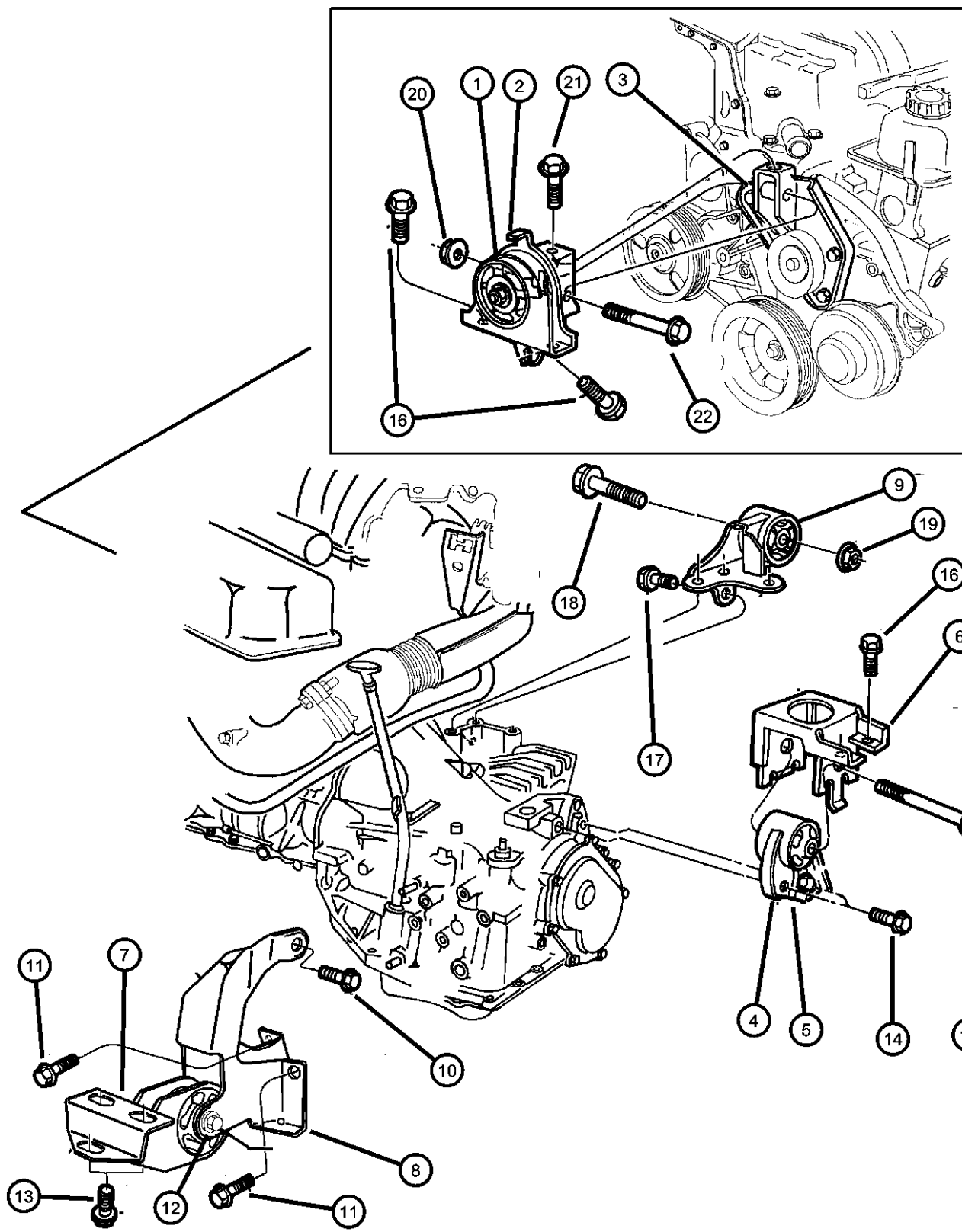
Figure 9-120



ITEM	PART NUMBER	QTY	LINE	SERIES	BODY	ENGINE	TRANS	TRIM	DESCRIPTION
NOTE: Sales Codes: ECB=2.0L 4CYL. SOHC 16V EDZ=2.4L 4CYL. DOHC 16V ENC=2.5L TURBO DIESEL EGA=3.3L V-6 MPI EGH=2.8L V-6 MPI DD3=5 Speed Manual Transmission DGL=4 Speed Automatic Transmission									
1	04612367	1	Y			ECB, EDZ			SUPPORT, Engine Mount
2	04612914	1				EDZ			BRACKET, Engine Mount
3									SUPPORT, Engine Mount
	04612369	1	Y			EDZ, EGA, EGH	DGL		
	04612375	1	Y, Z			EDZ	DD3		
4	04612409	1							BRACKET, Engine Mount
5	04612431	1				EDZ			SUPPORT, Engine Mount
6	04612934	1				EDZ			BRACKET, Engine Mount
7	05281314	1				EDZ, EGA, EGH	DGL		SUPPORT, Transmission
8	06503900	1							SCREW AND WASHER, Hex Head, M12x1.75x40
9	06503900	1							BOLT, Hex Flange Head, M12-1.75x80.0, (NOT SERVICED)
10	06101503	2				ECB, EDZ, ENC			SCREW AND WASHER, Hex Head, M10x1.5x25
11	06504618	3							SCREW AND WASHER, Hex Head, M10-1.50x32
12	06101524	1				EDZ			BOLT AND WASHER, Hex Head, M10x1.5x30
13	06503341	1							BOLT, Hex Head, M10x1.50x125, 6101623 (98)
14	06503119	3							SCREW AND WASHER, Hex Head, M10x1.5x40
15	06501741	1				EDZ			SCREW AND WASHER, Hex Head, M12x1.75x30
16	06501633	1							BOLT AND CONED WASHER, Hex Head, M10x1.5x112
17	06502979	1				EDZ			NUT AND WASHER, Hex, M10x1.5
18	06502697	1							NUT, Hex Flange Lock, M12x1.75
19	06502505	1							SCREW AND WASHER, Hex Head, M12x1.75x90
-20	06502505	1							STRUT, Engine Mount, (NOT REQUIRED)
-21	06502505	1							COLLAR, Structural, Oil Pan To Transmission, (NOT REQUIRED)
-22									BOLT, M10-1.50x105
	06101829	2				EDZ	DD3		
		2				EDZ	DGL		

AR = use ase required - = Non illustrated part

Engine Mounting 3.3L-3.8L Engine (EGA-EGH)
Figure 9-130



ITEM	PART NUMBER	QTY	LINE	SERIES	BODY	ENGINE	TRANS	TRIM	DESCRIPTION
------	-------------	-----	------	--------	------	--------	-------	------	-------------

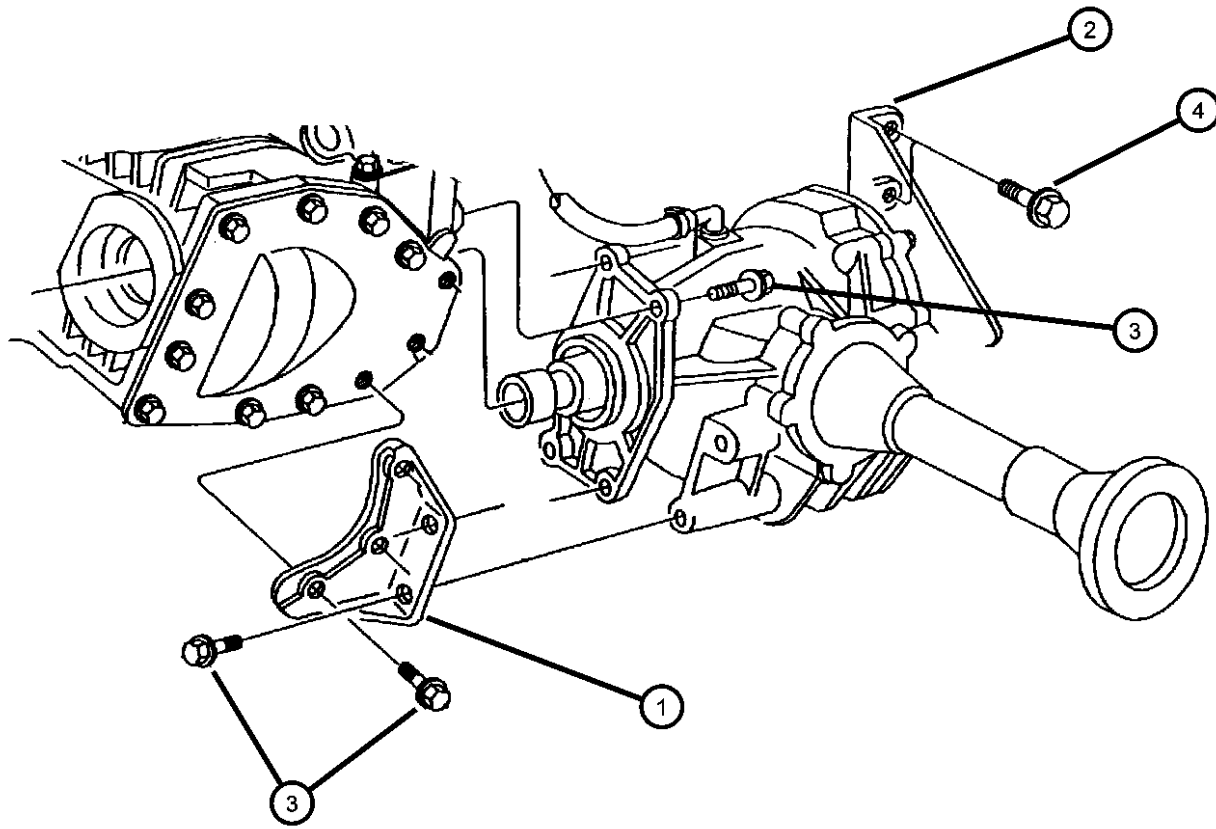
NOTE:
 Sales Codes:
 EDZ=2.4L 4 CYL. DOHC 16V
 EGA=3.3L V-6 MPI
 EGH=3.8L V-6 MPI
 DGL=4 Speed Automatic Transmission

1	04612367	1	Y, Z			EGA, EGH			SUPPORT, Engine Mount
2	04612746	1	C, U			EGH			SUPPORT, Engine
3	04612412	1				EGH			BRACKET, Engine Mount
4	04612369	1	Y, Z			EGA, EGH	DGL		SUPPORT, Engine Mount
5	04612755	1	C, U			EGH			SUPPORT, Engine Mount
6	04612409	1							BRACKET, Engine Mount
7	04612427	1				EGA, EGH			SUPPORT, Engine Mount
8	04612304	1				EGA, EGH			BRACKET, Engine Mount
9	05281314	1				EDZ, EGA, EGH	DGL		SUPPORT, Transmission
10	06503523	1				EGA, EGH			BOLT, Hex Head, M12-1.75x60
11	06502130	2				EGA, EGH			SCREW AND WASHER, Hex Head, M10x1.5x40
12	06101623	1				EGA, EGH			SCREW AND WASHER, Hex Head, M10x1.5x105
13	06504618	3							SCREW AND WASHER, Hex Head, M10-1.50x32
14	06101524	2				EGA, EGH			BOLT AND WASHER, Hex Head, M10x1.5x30
15	06503341	1							BOLT, Hex Head, M10x1.50x125
16	06503119	2							SCREW AND WASHER, Hex Head, M10x1.5x40
17	06501741	3				EGA, EGH			SCREW AND WASHER, Hex Head, M12x1.75x30
18	06501633	1							BOLT AND CONED WASHER, Hex Head, M10x1.5x112
19	06502979	1				EGA, EGH			NUT AND WASHER, Hex, M10x1.5
20	06502697	1							NUT, Hex Flange Lock, M12x1.75
21	06503900	1							SCREW AND WASHER, Hex Head, M12x1.75x40
22	06502505	1							SCREW AND WASHER, Hex Head, M12x1.75x90
-23	06101668	3				EGH			BOLT AND WASHER, Hex Head, M10x1.5x90
-24	06101755	1	C, U			EGH			SCREW AND WASHER, Hex Head, M10x1.5x53

AR = use ase required - = Non illustrated part

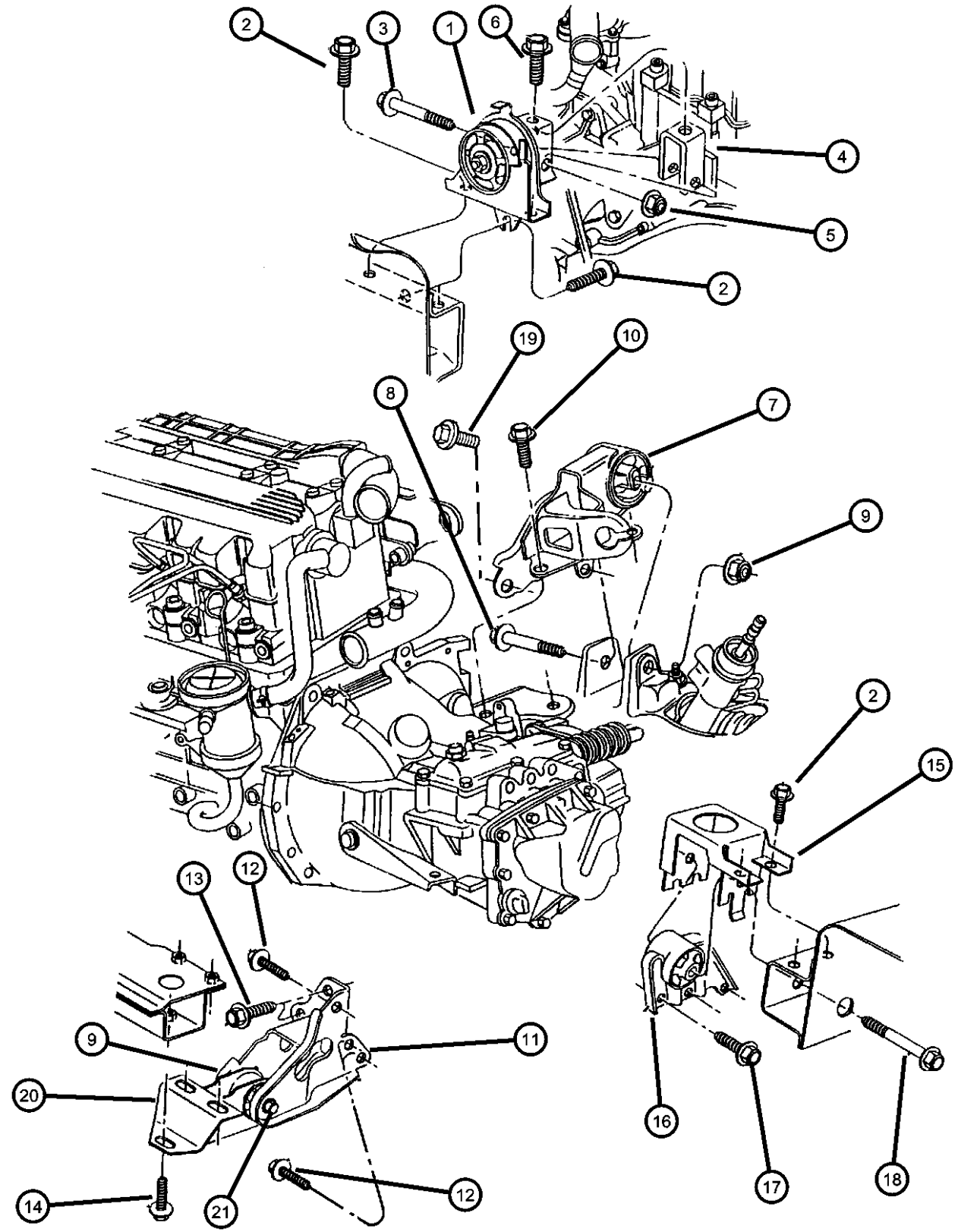
**Engine Mounting AWD Transfer Unit
Figure 9-140**

ITEM	PART NUMBER	QTY	LINE	SERIES	BODY	ENGINE	TRANS	TRIM	DESCRIPTION
1	04518738	1	C, U						BRACKET, Power Transfer Unit
2	04641665	1	C, U						BRACKET, Power Take Off
3	06504171	5	C						SCREW, Hex Flange Head, M8x1.25x32
4	06100940	2	C, U						BOLT, Hex Flange Head, M10x1.5x50



AR = use ase required - = Non illustrated part

Engine Mounting 2.5L Diesel Engine (ENC)
Figure 9-150



ITEM	PART NUMBER	QTY	LINE	SERIES	BODY	ENGINE	TRANS	TRIM	DESCRIPTION
------	-------------	-----	------	--------	------	--------	-------	------	-------------

NOTE:
 Sales Codes:
 ECB=2.0L 4CYL. SOHC 16V
 EDZ=2.4L 4CYL. DOHC 16V
 ENC=2.5L 4CYL. TURBO DIESEL
 DDF=5 Speed Manual Transmission
 DD3=5 Speed Manual Transmission

1	04612746	1				ENC			SUPPORT, Engine
2	06503119	3							SCREW AND WASHER, Hex Head, M10x1.5x40
3	06502505	1							SCREW AND WASHER, Hex Head, M12x1.75x90
4	04863875	1				ENC			ISOLATOR, Engine Mount
5	06502697	1							NUT, Hex Flange Lock, M12x1.75
6	06503900	1							SCREW AND WASHER, Hex Head, M12x1.75x40
7	04861320	1				ECB, EDZ, DD3, DDF ENC			SUPPORT, Engine
8	06501633	1							BOLT AND CONED WASHER, Hex Head, M10x1.5x112
9	06502979	1				ENC			NUT AND WASHER, Hex, M10x1.5
10	06501741	2					DD3, DDF		SCREW AND WASHER, Hex Head, M12x1.75x30
11	04612953	1				ENC			BRACKET, Front Right
12	06504386	3				ENC			SCREW, Hex Flange Head
13	06101502	2				ECB, EDZ, ENC			SCREW AND WASHER, Hex Head, M10x1.5x25
14	06504618	3							SCREW AND WASHER, Hex Head, M10-1.50x32
15	04612409	1							BRACKET, Engine Mount
16	04612951	1				ECB, ENC			BRACKET AND ISOLATOR, Engine Mount to Transmission, Left
17	06101514	4					DD3, DDF		BOLT AND WASHER, Hex Head, M10x1.5x35
18	06503341	1							BOLT, Hex Head, M10x1.50x125
19	06504482	1				ENC			STUD, Transmission Case
20	04612993	1				ENC			ISOLATOR, Engine Mount
21	06101623	1				ENC			SCREW AND WASHER, Hex Head, M10x1.5x105

AR = use ase required - = Non illustrated part

Group - 2.0L

Engine 2.0L Four Cylinder

Group - 2.0L Engine 2.0L Four Cylinder

Illustration Title

Group-Fig. No.

Engine Identification

I. D. Location 2.0L SOHC (ECB).....Fig. 2.0L - 111

Cylinder Head

Cylinder Head ECBFig. 2.0L - 211

Cylinder Block

Cylinder Block ECBFig. 2.0L - 311

Crankshaft, Piston, and Drive Plate

Crankshaft, Piston, Driveplate ECB.....Fig. 2.0L - 411

Camshafts and Valves

Camshaft and Valves ECBFig. 2.0L - 511

Timing Belt and Cover

Timing Belt and Cover ECBFig. 2.0L - 611

Engine Oiling

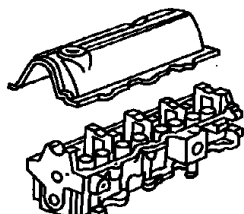
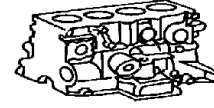
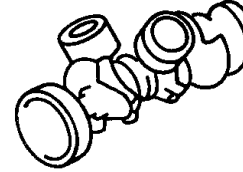
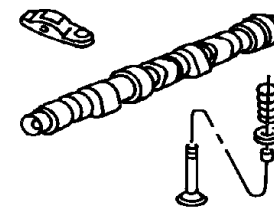
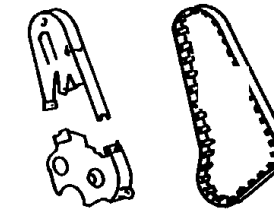
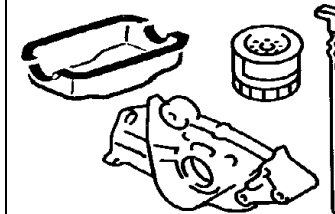
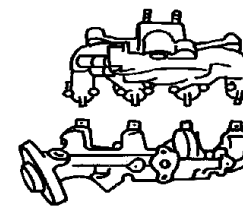
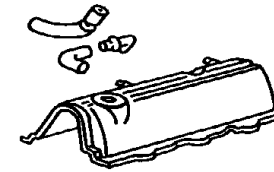
Engine Oiling ECBFig. 2.0L - 711

Manifolds

Manifolds ECB.....Fig. 2.0L - 811

Crankcase Ventilation

Crankshaft Ventilation ECB.....Fig. 2.0L - 911

<p>2.0L-100 Engine Identification</p> <table border="1"> <tr> <td>X Model Year</td> <td>X Manufacturing Plant</td> <td>XXXXX Component Code/Usage</td> <td>XXX Month/Day</td> <td>XXXXXXXX Serial Code</td> </tr> <tr> <td>Last digit of model year</td> <td>Satillo S Trenton T Tokyo K</td> <td>Engine 3.2L - 3.8L Usage Pass Car PC Truck T</td> <td></td> <td>Last 8 Digits of VIN</td> </tr> </table>	X Model Year	X Manufacturing Plant	XXXXX Component Code/Usage	XXX Month/Day	XXXXXXXX Serial Code	Last digit of model year	Satillo S Trenton T Tokyo K	Engine 3.2L - 3.8L Usage Pass Car PC Truck T		Last 8 Digits of VIN	<p>2.0L-200 Cylinder Head</p> 	<p>2.0L-300 Cylinder Block</p> 	<p>2.0L-400 Crankshaft, Piston, and Drive Plate</p> 
X Model Year	X Manufacturing Plant	XXXXX Component Code/Usage	XXX Month/Day	XXXXXXXX Serial Code									
Last digit of model year	Satillo S Trenton T Tokyo K	Engine 3.2L - 3.8L Usage Pass Car PC Truck T		Last 8 Digits of VIN									
<p>2.0L-500 Camshafts and Valves</p> 	<p>2.0L-600 Timing Belt and Cover</p> 	<p>2.0L-700 Engine Oiling</p> 	<p>2.0L-800 Manifolds</p> 										
<p>2.0L-900 Crankcase Ventilation</p> 													

I. D. Location 2.0L SOHC (ECB)
Figure 2.0L-111

ITEM	PART NUMBER	QTY	LINE	SERIES	BODY	ENGINE	TRANS	TRIM	DESCRIPTION
------	-------------	-----	------	--------	------	--------	-------	------	-------------

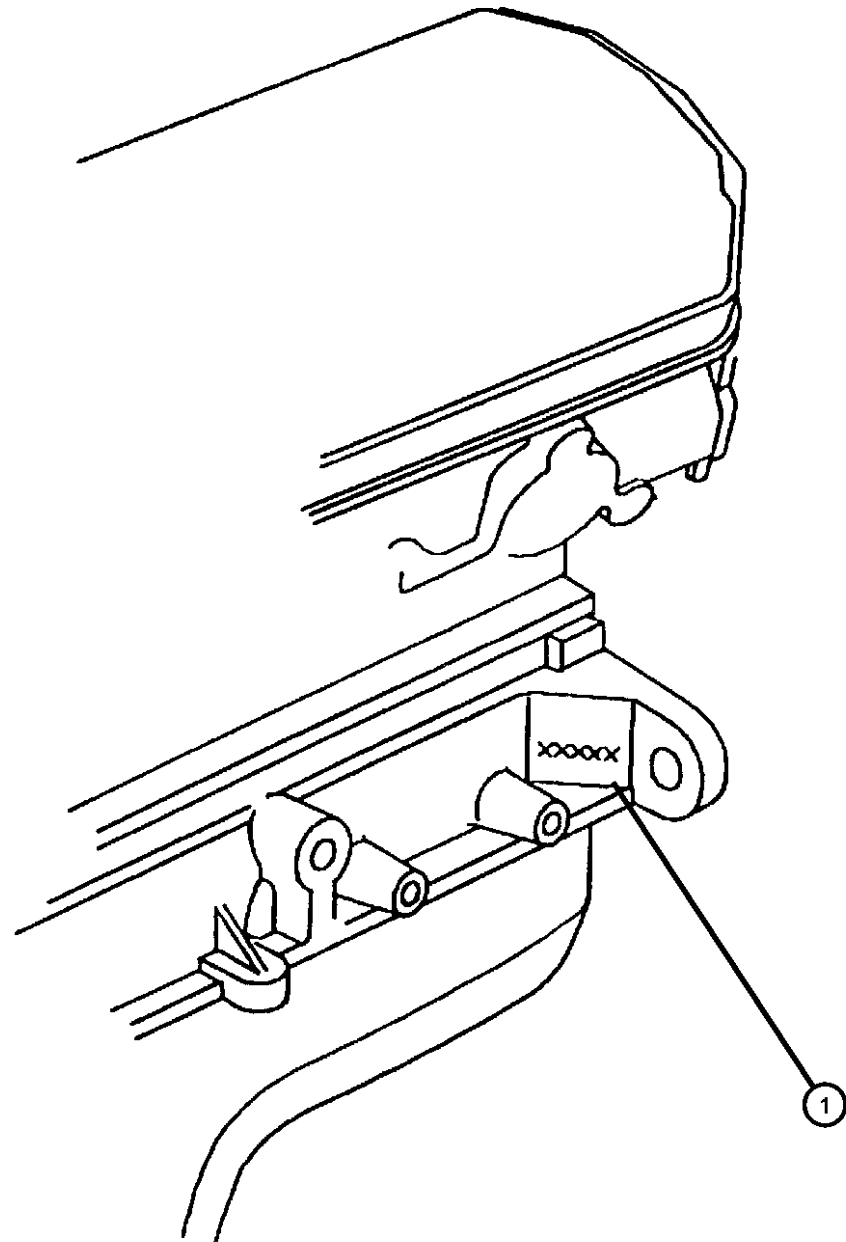
NOTE:

Sales Codes:

ECB=2.0L 4Cyl. SOHC 16V

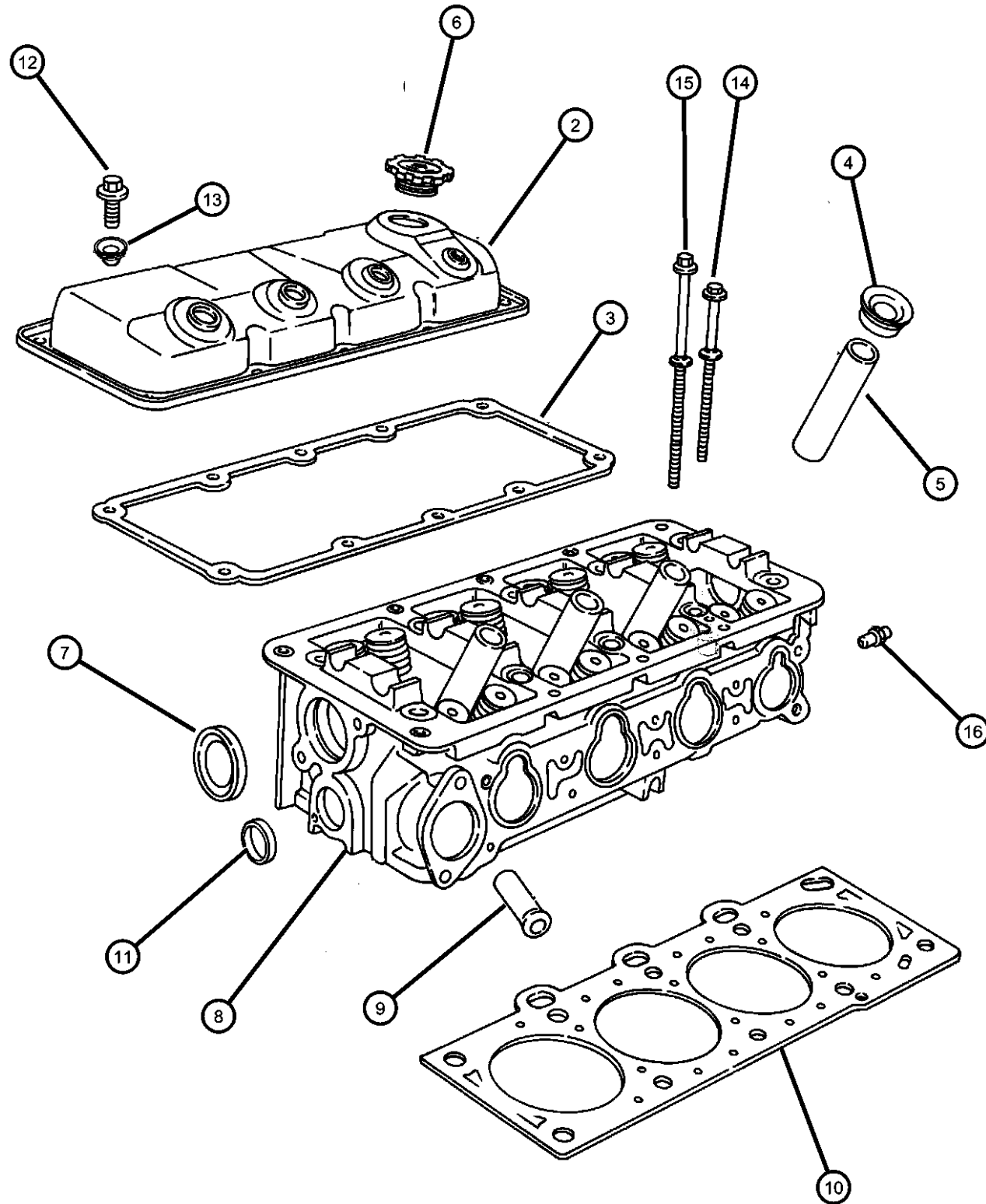
1	06101623	1							
---	----------	---	--	--	--	--	--	--	--

LABEL, Engine Identification, (NOT SERVICED)



AR = use ase required - = Non illustrated part

**Cylinder Head ECB
Figure 2.0L-211**



NOTE:

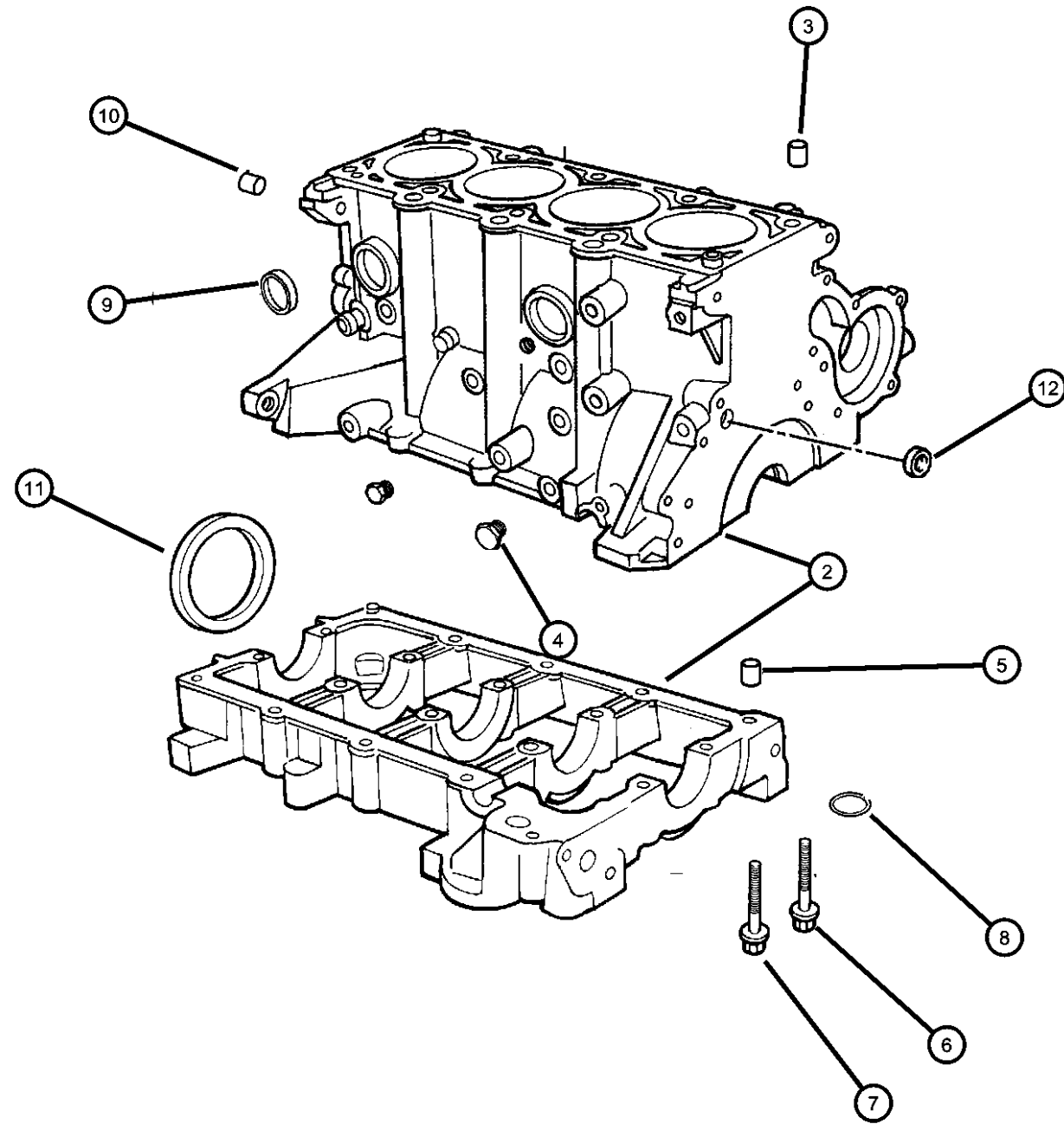
Sales Codes:

ECB=2.0L 4CYL SOHC 16V

ITEM	PART NUMBER	QTY	LINE	SERIES	BODY	ENGINE	TRANS	TRIM	DESCRIPTION
-1	04798966	1				ECB			GASKET PACKAGE, Engine Upper
2	04777248	1				ECB			COVER, Cylinder Head
3	04667985	1				ECB			GASKET, Cylinder Cover
4	04777042	4				ECB			SEAL, Spark Plug Tube
5	04648604	4				ECB			TUBE, Spark Plug
6	04777536	1				ECB			CAP, Oil Filler
7	04777086	1				ECB			SEAL, Camshaft, Order 5016733AA Per [TSB 09-008-00]
8	04667993	1				ECB			HEAD, Cylinder
9	04777171	1				ECB			TUBE, Water Inlet
10	04777072	1				ECB			GASKET, Cylinder Head
11	04556020	2				ECB			PLUG, Core, 1.25 Diameter
12	06101451	13				ECB			SCREW AND WASHER, Hex Head, M6x1x25
13	04667982	10				ECB			ISOLATOR, Cylinder Head Cover, Grommet And Bolt
14	06503561	4				ECB			BOLT, Cylinder Head
15	06503562	6				ECB			BOLT, Cylinder Head
16	04323808	1				ECB			RESTRICTOR, Cylinder Head Oil

AR = use ase required - = Non illustrated part

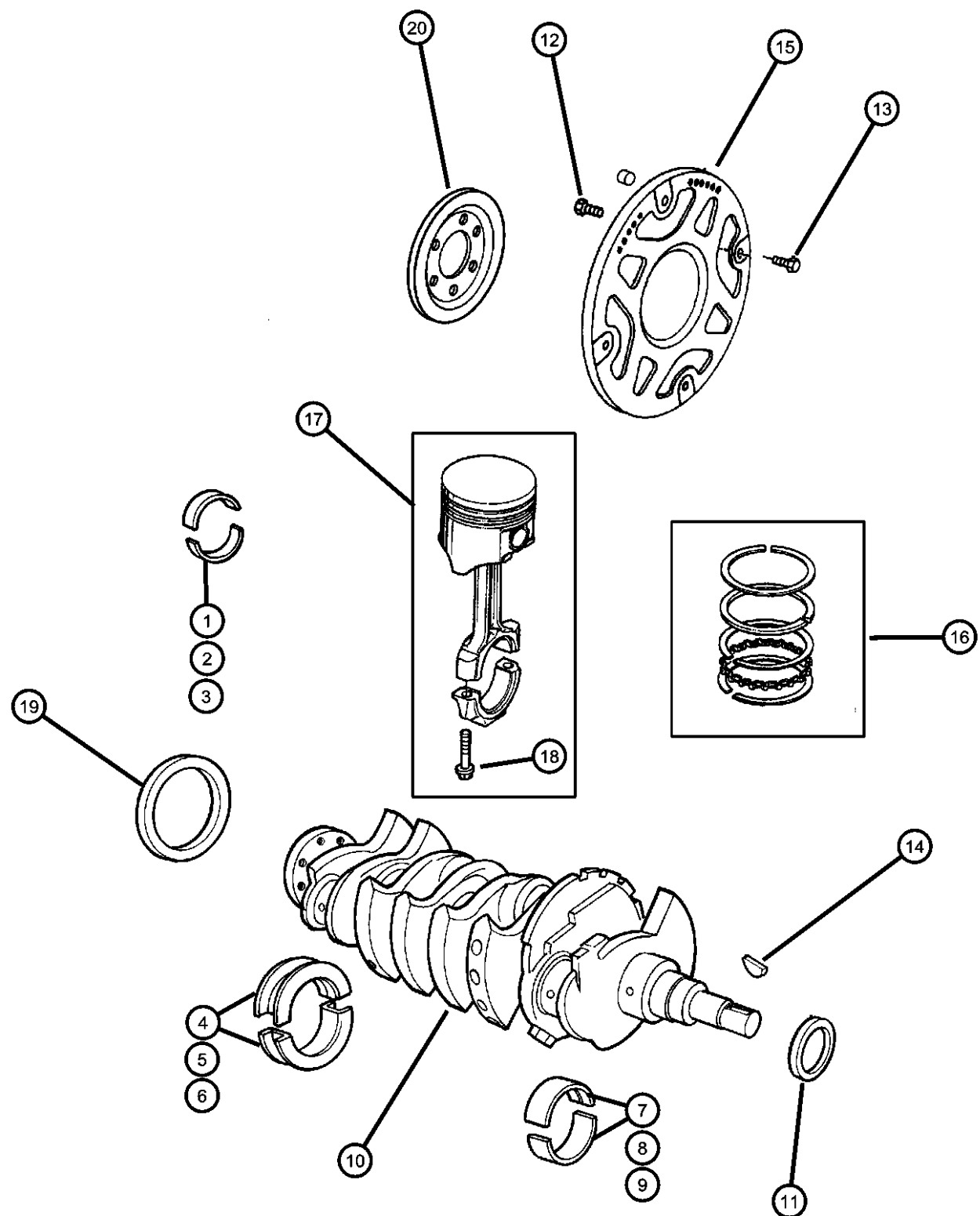
**Cylinder Block ECB
Figure 2.0L-311**



ITEM	PART NUMBER	QTY	LINE	SERIES	BODY	ENGINE	TRANS	TRIM	DESCRIPTION
NOTE: Sales Codes: ECB=2.0L 4CYL SOHC 16V									
-1	04882271	1				ECB			GASKET PACKAGE, Engine Lower
2	04864260	4				ECB			BLOCK, Short Mopar Reman Long Block Includes Heads
3	04694104	2				ECB			DOWEL, Block To Cylinder Head
4	06035743	1				ECB			PLUG, Timing Probe Hole
5	04694106	3				ECB			DOWEL, Engine Block To Bedplate
6	06503072	10				ECB			BOLT, Main Bearing Cap
7	06503074	10				ECB			BOLT, Main Bearing Cap
8	06034773	1				ECB			O RING, Bedplate To Engine Block
9	06034804	4				ECB			PLUG, Core, 1.39 Diameter
10	05240849	2				ECB			DOWEL, Block To Clutch Housing
11	04667198	1				ECB			SEAL, Rear Main Crankshaft
12	04556018	2				ECB			PLUG, Cylinder Block Oil Hole
-13	06036020AA	6	C, Y, Z			EDZ	DD3		PLUG, Pipe

AR = use ase required - = Non illustrated part

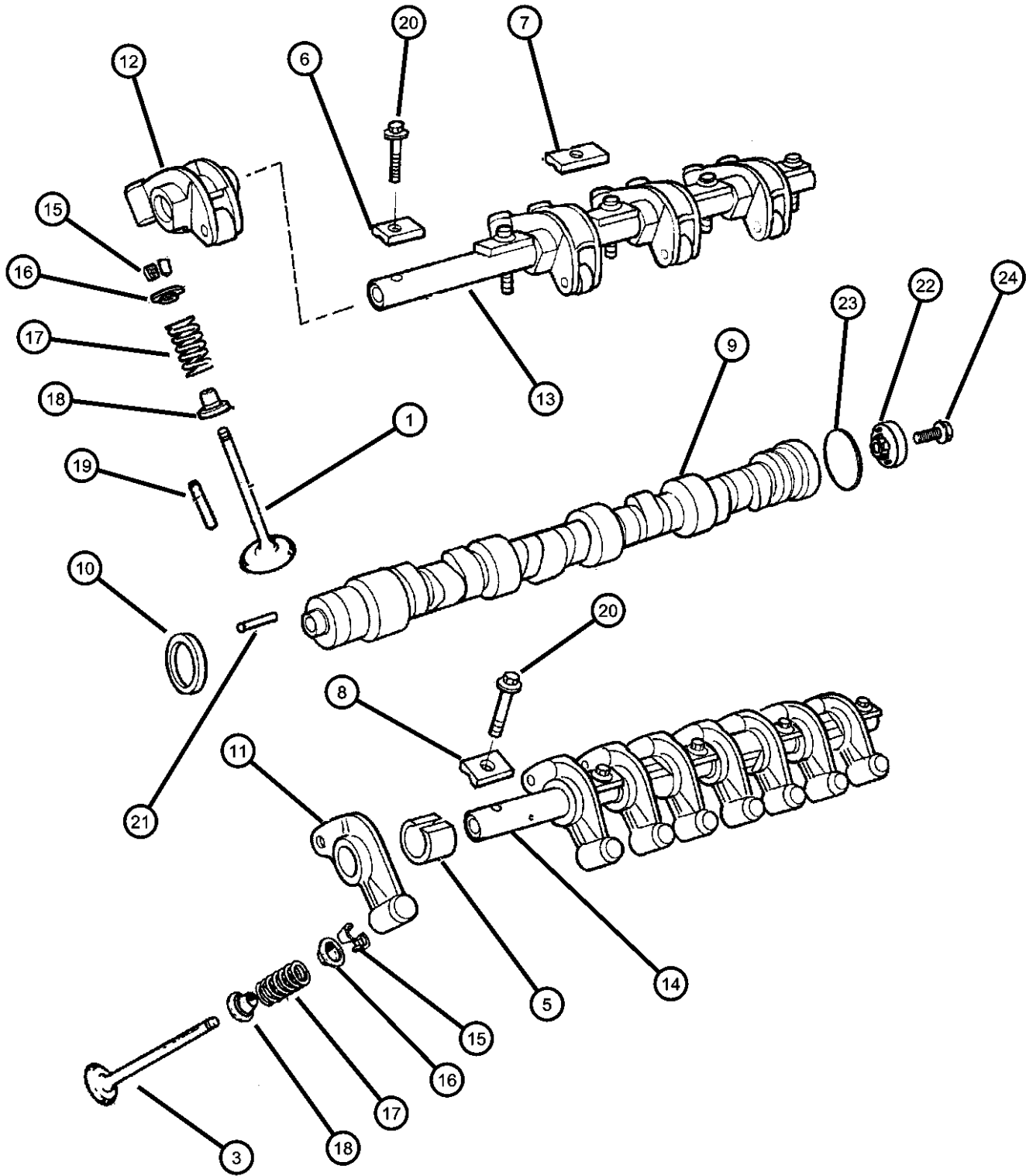
**Crankshaft, Piston, Driveplate ECB
Figure 2.0L-411**



ITEM	PART NUMBER	QTY	LINE	SERIES	BODY	ENGINE	TRANS	TRIM	DESCRIPTION
NOTE: Sales Codes: ECB=2.0L 4CYL. SOHC 16V DDF=5 Speed Manual Transmission DD3=5 Speed Manual Transmission									
1	04728997	8				ECB			BEARING PACKAGE, Connecting Rod, Standard
2	04728991	8				ECB			BEARING PACKAGE, Connecting Rod, .025mm Undersize
3	04728992	8				ECB			BEARING PACKAGE, Connecting Rod, .25mm Undersize
4	04856734	1				ECB			BEARING PACKAGE, Crankshaft Thrust, STD.
5	04856736	1				ECB			BEARING PACKAGE, Crankshaft Thrust, .016mm Undersize
6	04856738	1				ECB			BEARING PACKAGE, Crankshaft Thrust, .25mm Undersize
7	04856733	4				ECB			BEARING PACKAGE, Crankshaft Main, Standard Size
8	04856735	AR				ECB			BEARING PACKAGE, Crankshaft, .016mm Undersize
9	04856737	4				ECB			BEARING PACKAGE, Crankshaft, .25 mm Undersize
10	04667754	1				ECB			CRANKSHAFT
11	04667198	1				ECB			SEAL, Front Main Crankshaft
12	06503465	8							BOLT, Drive Plate and Flywheel
13	06501099	4				ECB			BOLT, Hex Head, M10x1.50 x 13.20
14	06035473	1				ECB			KEY, Crankshaft Sprocket
15	04446309	1				ECB, EDZ			PLATE, Drive Plate
16	04741401	1				ECB			PISTON RING SET, COMPLETE ENGINE, STD.
17	04773975	4				ECB			PISTON PIN AND ROD
18	06503116	8				ECB			BOLT, Connecting Rod
19	04667904	1				ECB			SEAL, Rear Main Crankshaft
20	04471933	1							PLATE, Drive Plate Backing

AR = use ase required - = Non illustrated part

Camshaft and Valves ECB
Figure 2.0L-511



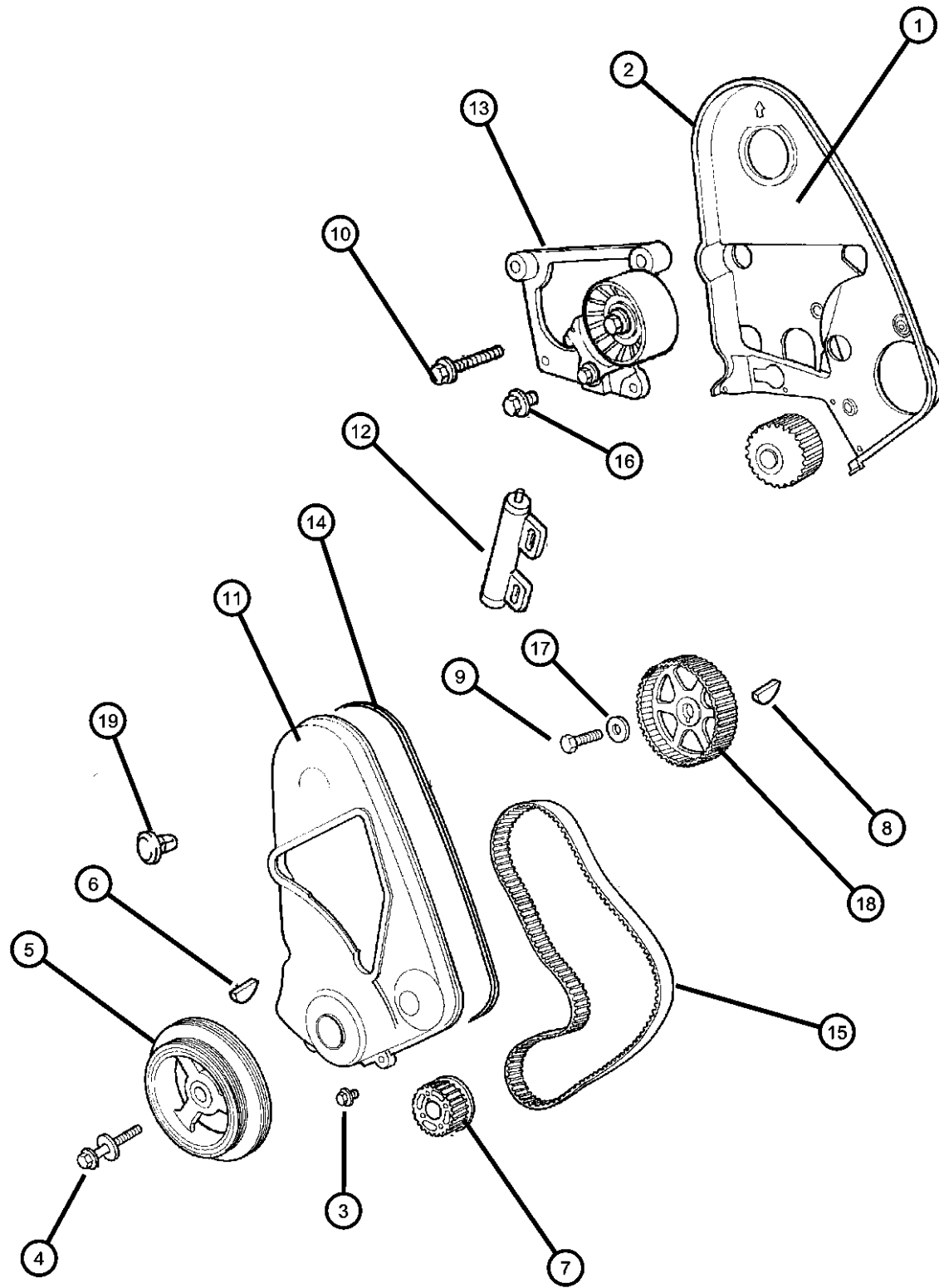
ITEM	PART NUMBER	QTY	LINE	SERIES	BODY	ENGINE	TRANS	TRIM	DESCRIPTION
------	-------------	-----	------	--------	------	--------	-------	------	-------------

NOTE:
 Sales Codes:
 ECB=2.0L 4Cyl. SOHC 16V

1	04648613	8				ECB			VALVE, Exhaust, Standard
-2	04667439	8				ECB			VALVE, Exhaust, .15mm O/S, 15MM Oversize
3	04648615	8				ECB			VALVE, Intake, Standard
-4	04667189	8				ECB			VALVE, Intake, .15MM O/S, 15MM Oversize
5	04667370	4				ECB			SPACER, Rocker Shaft
6	04667256	2				ECB			RETAINER, Valve Rocker Shaft
7	04667257	3				ECB			RETAINER, Valve Rocker Shaft
8	04667259	5				ECB			RETAINER, Valve Rocker Shaft
9	04777128	1				ECB			CAMSHAFT
10	04777086	1				ECB			SEAL, Camshaft, Order 5016733AA Per [TSB 09-008-00]
11	04648701	8				ECB			ROCKER ARM, Intake
12	04648702	4				ECB			ROCKER ARM, Exhaust
13	04648693	1				ECB			SHAFT, Rocker Arm
14	04648691	1				ECB			SHAFT, Rocker Arm
15	04777050	32				ECB			LOCK, Valve Spring Retainer
16	04648682	16				ECB			RETAINER, Valve Spring
17	04648684	16				ECB			SPRING, Valve
18	04648619	16				ECB			SEAL, Valve Guide
19	04648635	AR				ECB			GUIDE, Intake/Exhaust Valve, 7mm Oversize
20	06101527	5				ECB			SCREW, Hex Flange Head, M8x1.25x40
21	06100997	1				ECB			PIN, Dowel
22	05269547	1				ECB			CAM MAGNET, Target
23	04777068	1				ECB			SEAL, Camshaft Sensor
24	06503688	1				ECB			BOLT, Hex Flange Head, M6x1.00x40

AR = use ase required - = Non illustrated part

Timing Belt and Cover ECB
Figure 2.0L-611



ITEM	PART NUMBER	QTY	LINE	SERIES	BODY	ENGINE	TRANS	TRIM	DESCRIPTION
------	-------------	-----	------	--------	------	--------	-------	------	-------------

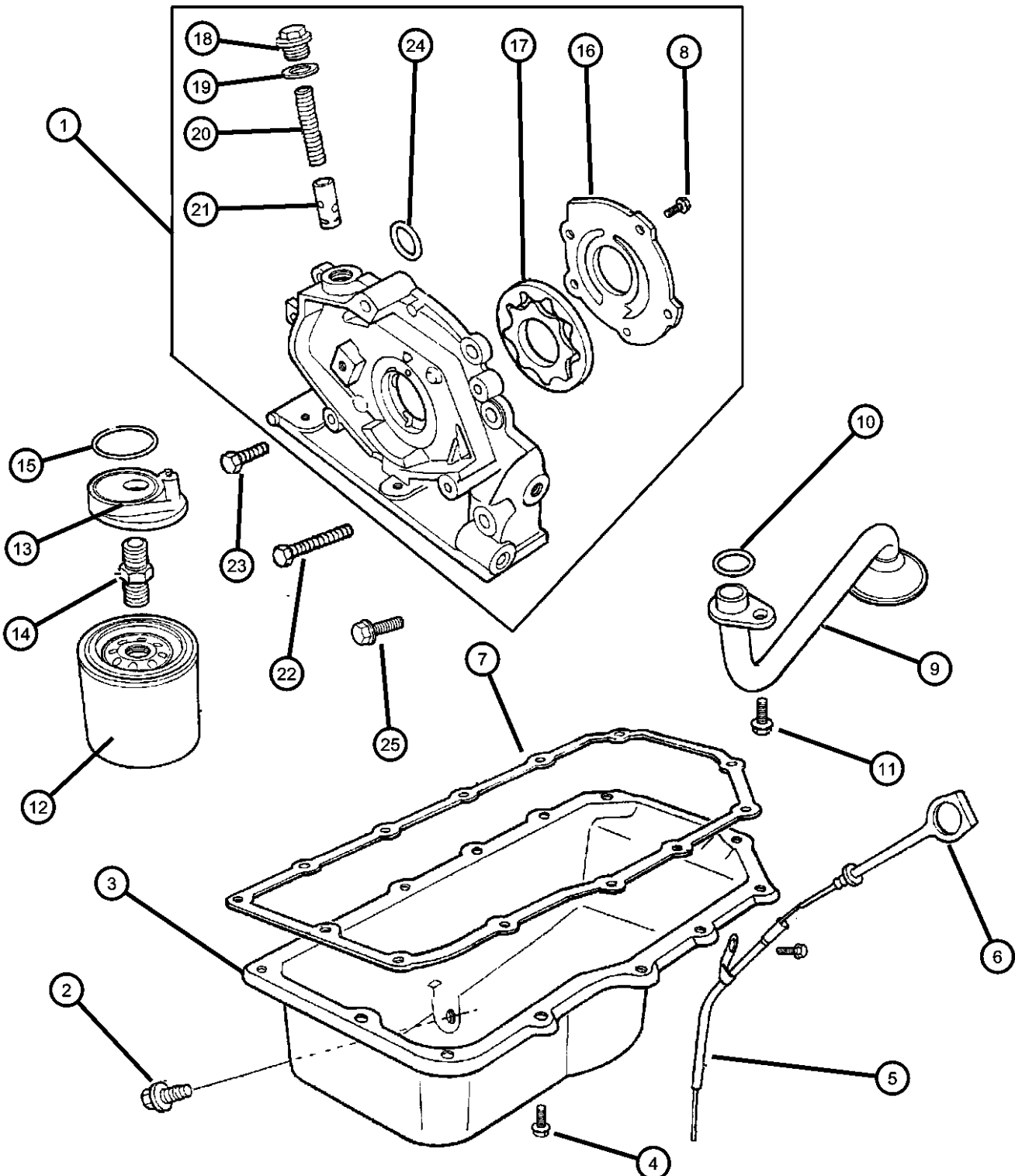
NOTE:
Sales Codes:
ECB=2.0L 4 Cyl. SOHC 16V
DD3=5 Speed Manual Transmission

1	04667339	1				ECB			COVER, Timing Belt
2	04667341	1				ECB			SEAL, Timing Belt Cover
3	06502926	6				ECB			BOLT, Hex Flange Head, M6x1.0x20
4	06503553	1				ECB			BOLT, Hex Flange Head, M12x1.75x87.50
5	04667765	1				ECB			DAMPER, Engine Vibration
6	06035473	1				ECB			KEY, Crankshaft Sprocket
7	04667604	1				ECB			GEAR, Crankshaft
8	06100997	1				ECB			PIN, Dowel
9	06501405	1				ECB			BOLT, Hex Head, M12x1.50x52
10	06503181	2				ECB			SCREW AND WASHER, Hex Head, M8x1.25x60
11	04667338	1				ECB			COVER, Timing Belt
12	04667283	1				ECB			TENSIONER, Belt
13	04777393	1				ECB			BRACKET, Tensioner
	TBK10246								Mopar Alternative Part (Timing Belt Kit- Includes belt, roller(s), and/or an idler)
14	04667341	1				ECB			SEAL, Timing Belt Cover
15	04667606	1				ECB			BELT, Timing
	TB000245								Mopar V-Line Alternative Part
	TBK10245								Mopar Alternative Part (Timing Belt Kit- Includes belt, roller(s), and/or an idler)
16	04667606	1							BOLT AND CONED WASHER, Hex Head, M6x30x14, (NOT SERVICED)
17	06503438	1				ECB			WASHER, Flared, 13x35.00x4.70
18	04667602	1				ECB			GEAR, Camshaft
19	04667554	1				ECB			PLUG, Timing Belt Cover
-20	04777394	1				ECB			PULLEY, Timing Belt

AR = use ase required - = Non illustrated part

Engine Oiling ECB
Figure 2.0L-711

ITEM	PART NUMBER	QTY	LINE	SERIES	BODY	ENGINE	TRANS	TRIM	DESCRIPTION
------	-------------	-----	------	--------	------	--------	-------	------	-------------



NOTE:

Sales Codes:

ECB=2.0L 4 Cyl. SOHC 16V

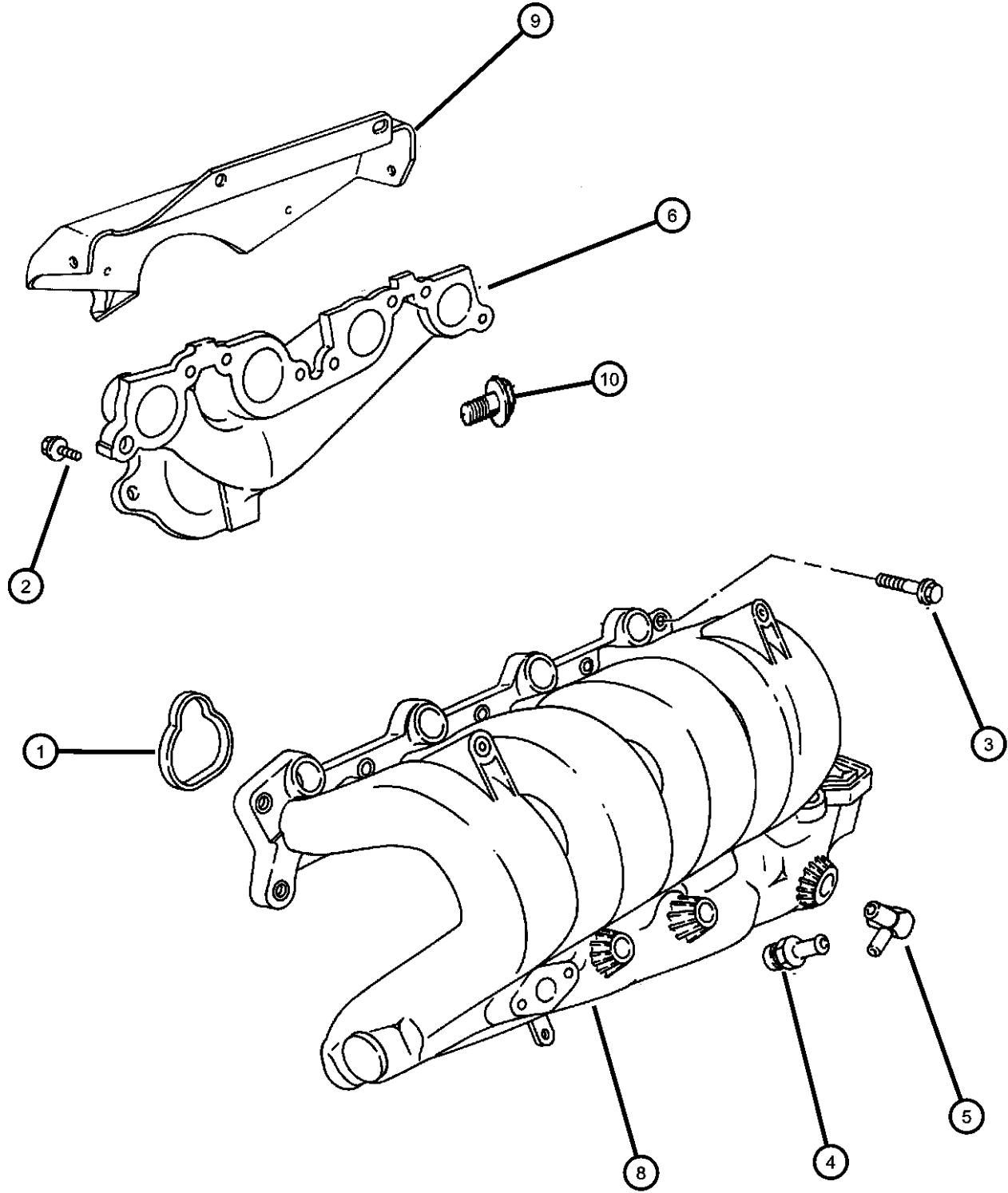
DDF=5 Speed Manual

1	04667884	1				ECB			PUMP, Engine Oil
2	06504018	1				ECB			PLUG, Oil Drain
3	04777300	1				ECB			PAN, Engine Oil
4	06101451	13				ECB			SCREW AND WASHER, Hex Head, M6x1x25
5	04667352	1				ECB			TUBE, Engine Oil Indicator
6	04777284	1				ECB			INDICATOR, Engine Oil Level
7	04556666	1				ECB			GASKET, Oil Pan
8	06101386	5				ECB			SCREW, Flange Head, M6x1x18
9	04777252	1				ECB			TUBE, Oil Pickup
10	06032920	1				ECB			SEAL, Oil Pick Up Tube
11	06500070	1				ECB			SCREW AND WASHER, Hex Head, M8x1.25x25
12	04105409	1				ECB			FILTER, Engine Oil
13	04694136	1				ECB			ADAPTER, Oil Filter
14	04667301	1				ECB			CONNECTOR, Oil Filter Adapter
15	06034802	1			C	ECB			O RING, Oil Filter Adapter
16	04556669	1				ECB			COVER, Oil Pump Back
17	04761538	1				ECB			ROTOR SET, Oil Pump
18	00618621	1				ECB			CAP, Oil Pressure Relief Valve
19	04777062	1				EDZ			GASKET, Oil Pump Relief Valve
20	01737744	1				ECB			SPRING, Oil Pressure Relief Valve
21	02843208	1				ECB			PLUNGER, Oil Pressure Relief Valve
22	06503257	1				ECB			BOLT, Hex Head, M8x1.25x37.50
23	06503256	1				ECB			BOLT, Hex Flange Head, M6x1.0x40
24	04483444	1				ECB			O RING, Front Cover Oil Inlet
25	06100296	2				ECB			BOLT AND CONED WASHER, Hex Head, M8x25x17
-26	04668238	1					DDF		STRUCTURAL COLLAR, Oil Pan To Engine
-27	04668238	1							SCREW AND WASHER, Hex Head, M8x1.25x50, (NOT REQUIRED)

AR = use ase required - = Non illustrated part

Manifolds ECB
Figure 2.0L-811

ITEM	PART NUMBER	QTY	LINE	SERIES	BODY	ENGINE	TRANS	TRIM	DESCRIPTION
------	-------------	-----	------	--------	------	--------	-------	------	-------------



NOTE:
Sales Codes:
ECB=2.0L 4 Cyl. SOHC 16V
DD3=5 Speed Manual Transmission

1	04667351	4				ECB			GASKET, Intake Manifold
2	06503131	1				ECB			BOLT, Hex Flange Head, M8x1.25x30
3	06504020	10				ECB			BOLT, Hex Head Locking, M6x1.00x25
4	04387304	1			EDZ				NIPPLE, Crankcase Vent
5	04324173	1			ECB				CONNECTOR, Brake Booster Vacuum
6	04694226	1			ECB				MANIFOLD, Exhaust
-7	04654386	1			ECB				GASKET, Exhaust Manifold
8	04856614	1			ECB				MANIFOLD PACKAGE, Intake
9	04694327AB	1			ECB				SHIELD, Exhaust Manifold
10	06101049	1			ECB				SCREW AND WASHER, M10x1.5x45
-11	04861165AA	1			ECB				STRUT, Exhaust Manifold

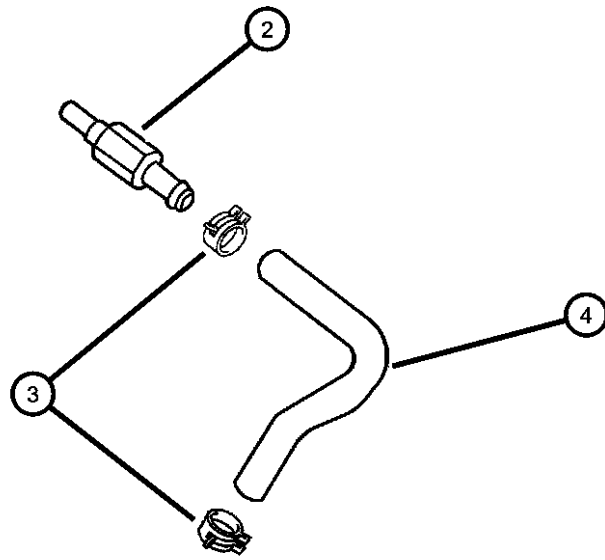
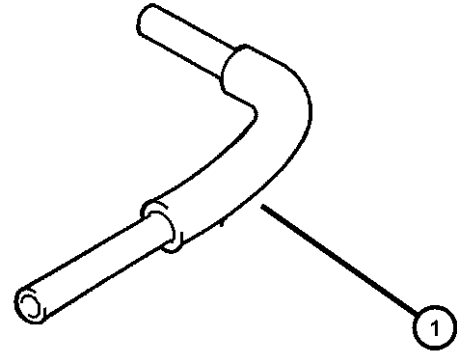
AR = use ase required - = Non illustrated part

**Crankshaft Ventilation ECB
Figure 2.0L-911**

ITEM	PART NUMBER	QTY	LINE	SERIES	BODY	ENGINE	TRANS	TRIM	DESCRIPTION
------	-------------	-----	------	--------	------	--------	-------	------	-------------

NOTE:
Sales Codes:
ECB=2.0L 4 Cyl. SOHC 16V

1	04667760	1				ECB			HOSE, Polution Control Valve
2	04777240	1				ECB			VALVE, PCV
3	00153455	2				ECB			CLAMP, Hose, .620
4	04667990	1				ECB			HOSE, Polution Control Valve



AR = use ase required - = Non illustrated part

Group - 2.4L

Engine 2.4L Four Cylinder

Group - 2.4L Engine 2.4L Four Cylinder

Illustration Title

Group-Fig. No.

Engine Identification

I. D. Location (EDZ)..... Fig. 2.4L - 121

Cylinder Head

Cylinder Head (EDZ)..... Fig. 2.4L - 221

Cylinder Block

Cylinder Block (EDZ)..... Fig. 2.4L - 321

Crankshaft, Piston, and Drive Plate

Crankshaft, Piston, Torque Converter (EDZ)..... Fig. 2.4L - 421

Camshafts and Valves

Camshaft and Valves (EDZ)..... Fig. 2.4L - 521

Timing Belt and Cover

Timing Belt and Cover (EDZ)..... Fig. 2.4L - 621

Balance Shaft [EDZ] Fig. 2.4L - 625

Engine Oiling

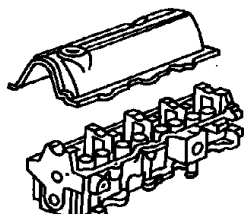
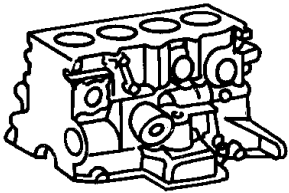
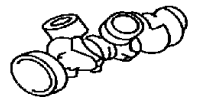
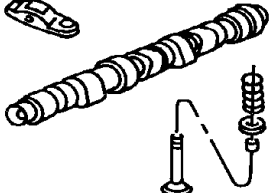
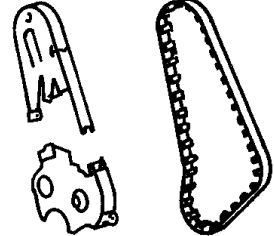
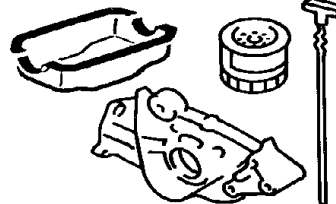
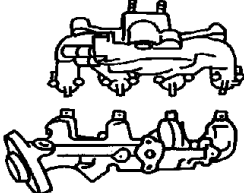
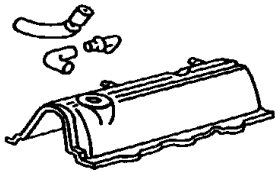
Engine Oiling (EDZ)..... Fig. 2.4L - 721

Manifolds

Manifolds, Intake & Exhaust (EDZ) Fig. 2.4L - 821

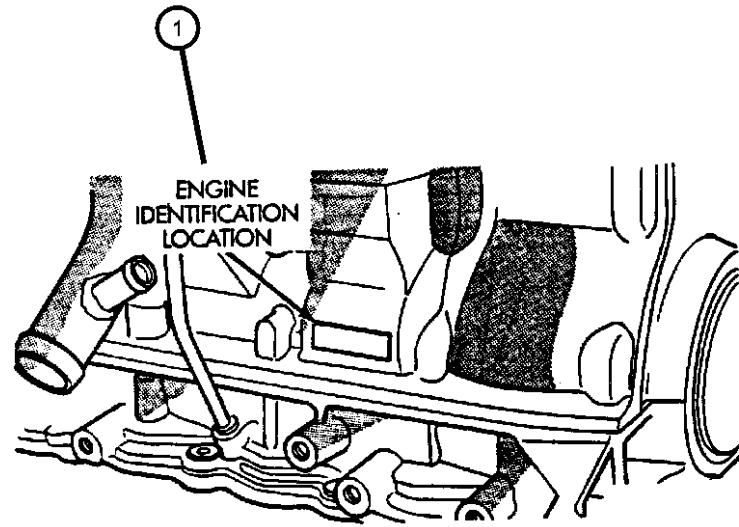
Crankcase Ventilation

Crankcase Ventilation (EDZ) Fig. 2.4L - 921

<p>2.4L-100 Engine Identification</p> <table border="1"> <tr> <td>X Model Year</td> <td>X Manufacturing Plant</td> <td>XXXXX Component Code/Usage</td> <td>XXXX Month/Day</td> <td>XXXXXXXX Serial Code</td> </tr> <tr> <td>Last digit of model year</td> <td>Sadlir S Trenton T Tokyo K</td> <td>Engine 3.2L - 3.8L Usage Pass Car PC Truck T</td> <td></td> <td>Last 8 Digits of VIN</td> </tr> </table>	X Model Year	X Manufacturing Plant	XXXXX Component Code/Usage	XXXX Month/Day	XXXXXXXX Serial Code	Last digit of model year	Sadlir S Trenton T Tokyo K	Engine 3.2L - 3.8L Usage Pass Car PC Truck T		Last 8 Digits of VIN	<p>2.4L-200 Cylinder Head</p> 	<p>2.4L-300 Cylinder Block</p> 	<p>2.4L-400 Crankshaft, Piston, and Drive Plate</p> 
X Model Year	X Manufacturing Plant	XXXXX Component Code/Usage	XXXX Month/Day	XXXXXXXX Serial Code									
Last digit of model year	Sadlir S Trenton T Tokyo K	Engine 3.2L - 3.8L Usage Pass Car PC Truck T		Last 8 Digits of VIN									
<p>2.4L-500 Camshafts and Valves</p> 	<p>2.4L-600 Timing Belt and Cover</p> 	<p>2.4L-700 Engine Oiling</p> 	<p>2.4L-800 Manifolds</p> 										
<p>2.4L-900 Crankcase Ventilation</p> 													

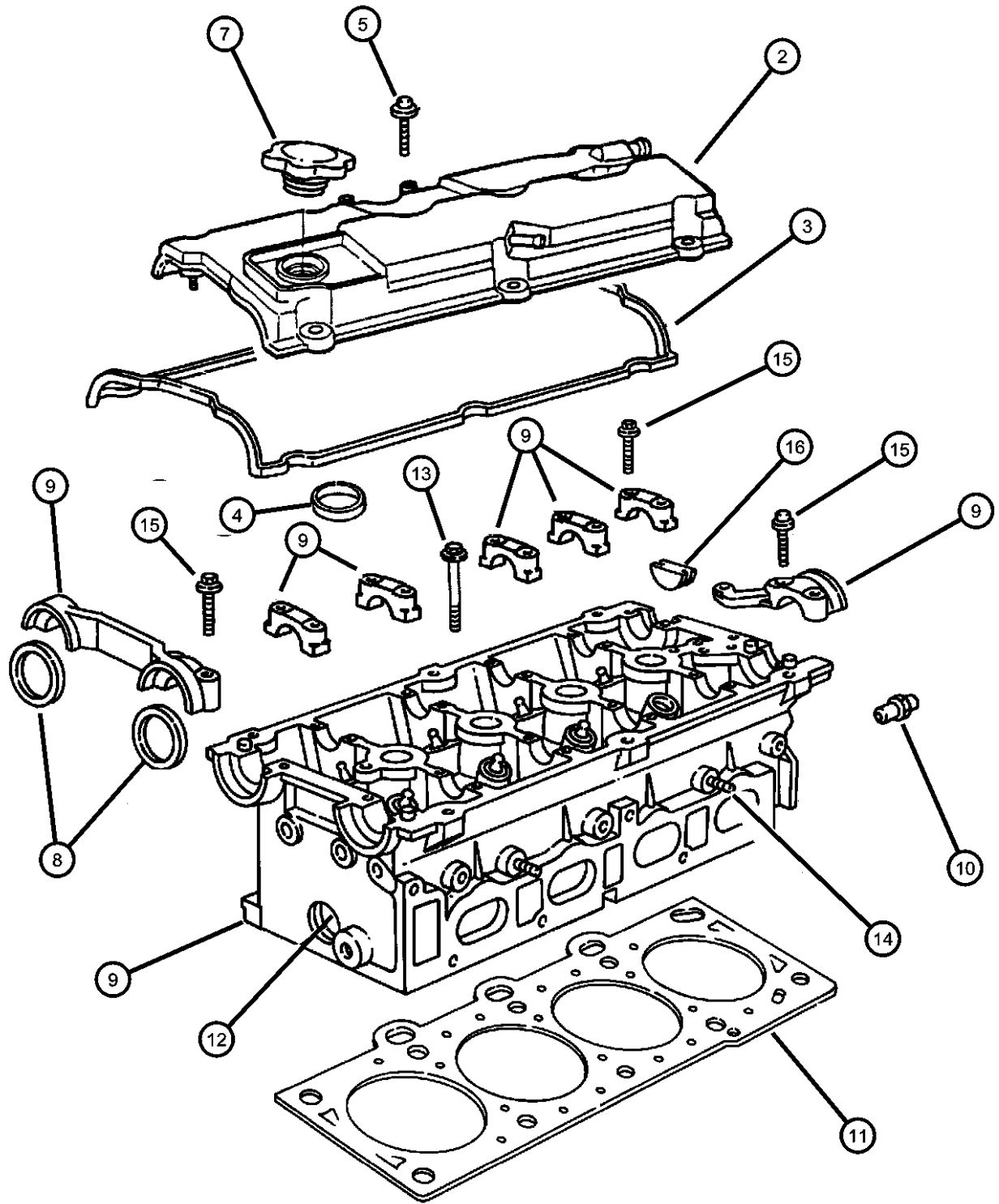
I. D. Location (EDZ)
Figure 2.4L-121

ITEM	PART NUMBER	QTY	LINE	SERIES	BODY	ENGINE	TRANS	TRIM	DESCRIPTION
1	04667990	1							LABEL, Engine Identification, (NOT SERVICED)



AR = use ase required - = Non illustrated part

**Cylinder Head (EDZ)
Figure 2.4L-221**

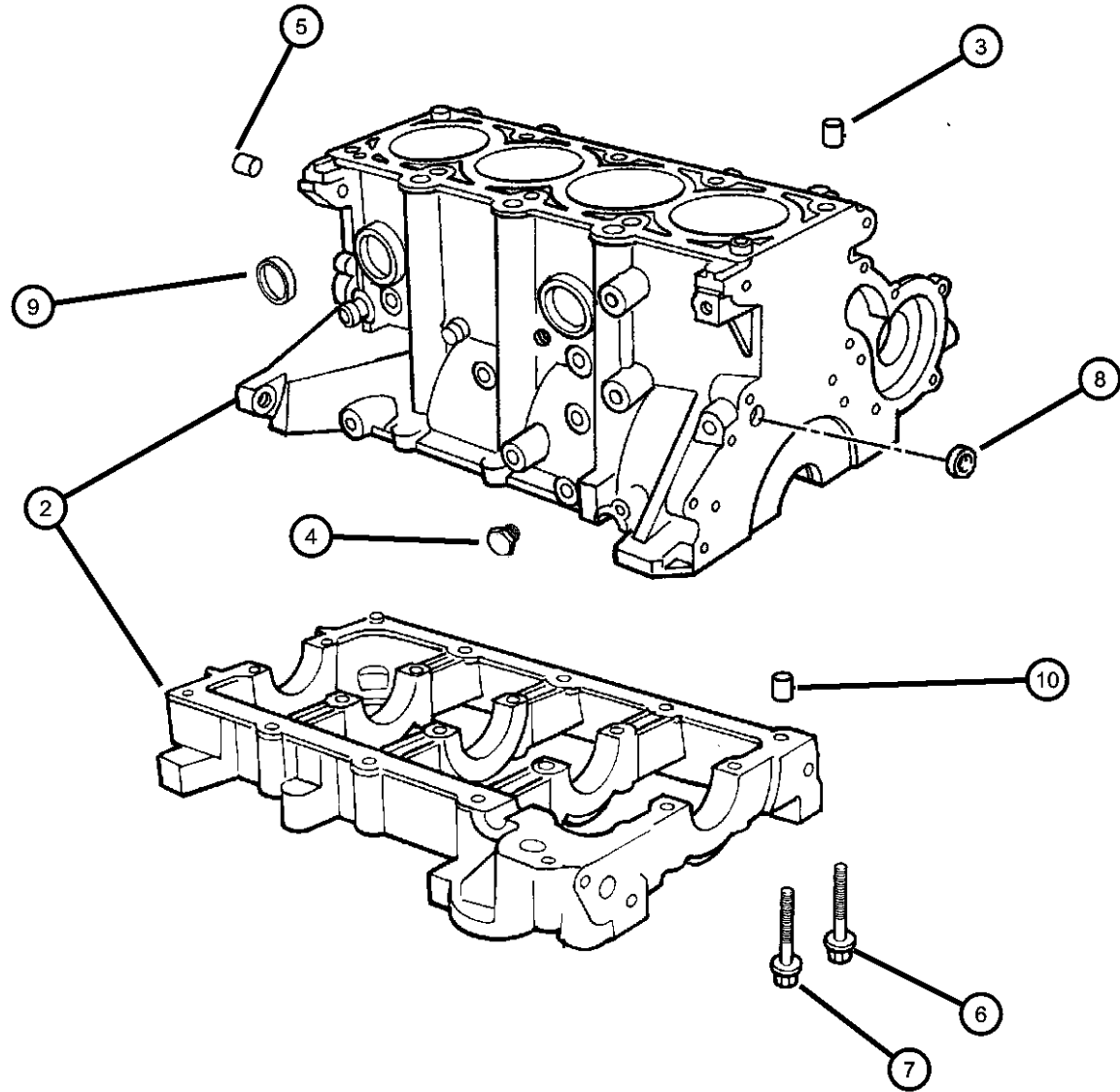


ITEM	PART NUMBER	QTY	LINE	SERIES	BODY	ENGINE	TRANS	TRIM	DESCRIPTION
									NOTE: Sales Codes: EDZ=2.4L 4Cyl. DOHC 16V DD3=5 Speed Manual Transmission DGL=4 Speed Automatic Transmission
-1									GASKET PACKAGE, Cylinder Head
	05010954AA	1				EDZ	DGL		
		1				EDZ	DD3		
2	04694406	1				EDZ	DD3		COVER, Cylinder Head
3	04621830	1				EDZ	DD3		GASKET, Valve Cover
4	04621851	4				EDZ			SEAL, Spark Plug Tube
5	04621850	8				EDZ			ISOLATOR, Cylinder Head Cover, Grommet And Bolt, Isolated
-6	04621850	8							ISOLATOR, Cylinder Head Cover, Grommet And Stud, (NOT REQUIRED)
7	04667827	1				EDZ			CAP, Oil Filler
8	04777086	2				EDZ			SEAL, Camshaft
9	04777541	1				EDZ	DD3		HEAD, Cylinder
	R5420659								Mopar Reman 1995-1999 2.0L DOHC Use R5420659
	R5424650								Mopar Reman 1995-2000 2.4L DOHC Use R5424650
10	04323808	1				EDZ			RESTRICTOR, Cylinder Head Oil
11	04621924	1				EDZ	DD3		GASKET, Cylinder Head
12	04556020	2				EDZ			PLUG, Core, 1.25 Diameter
13	06504033	10				EDZ			BOLT, Cylinder Head
14	06100918	18				EDZ			BOLT, Hex Flange Head, M6x1.00x35
15	06101527	6				EDZ			SCREW, Hex Flange Head, M8x1.25x40
16	04667731	1				EDZ			PLUG, Camshaft

AR = use ase required - = Non illustrated part

**Cylinder Block (EDZ)
Figure 2.4L-321**

ITEM	PART NUMBER	QTY	LINE	SERIES	BODY	ENGINE	TRANS	TRIM	DESCRIPTION
------	-------------	-----	------	--------	------	--------	-------	------	-------------



NOTE:

Sales Codes:

EDZ=2.4L 4 Cyl. DOHC 16V

DD3= 5 Speed Manual Transmission

DGL=4 Speed Automatic Transmission

-1	04773717	1				EDZ			GASKET PACKAGE, Engine
2	04882192	1				EDZ			BLOCK, Short
	R0424867AA								Mopar Reman Long Block Includes Heads
3	04694104	2				EDZ			DOWEL, Block To Cylinder Head
4	06035743	1				ECB			PLUG, Timing Probe Hole
5	05240849	2				EDZ			DOWEL, Block To Clutch Housing
6	06503387	10				EDZ			BOLT, Main Bearing Cap
7	06504257	3	C						BOLT, Hex Head, M8x1.25x70
8	04556017	1				EDZ	DD3		PLUG, Pipe, Oil Hole 7/16 Inch
9	04556021	4				EDZ			PLUG, Core
10	04694106	1	C, Y, Z			EDZ	DD3		DOWEL, Engine Block To Bedplate

AR = use ase required - = Non illustrated part

**Crankshaft, Piston, Torque Converter (EDZ)
Figure 2.4L-421**

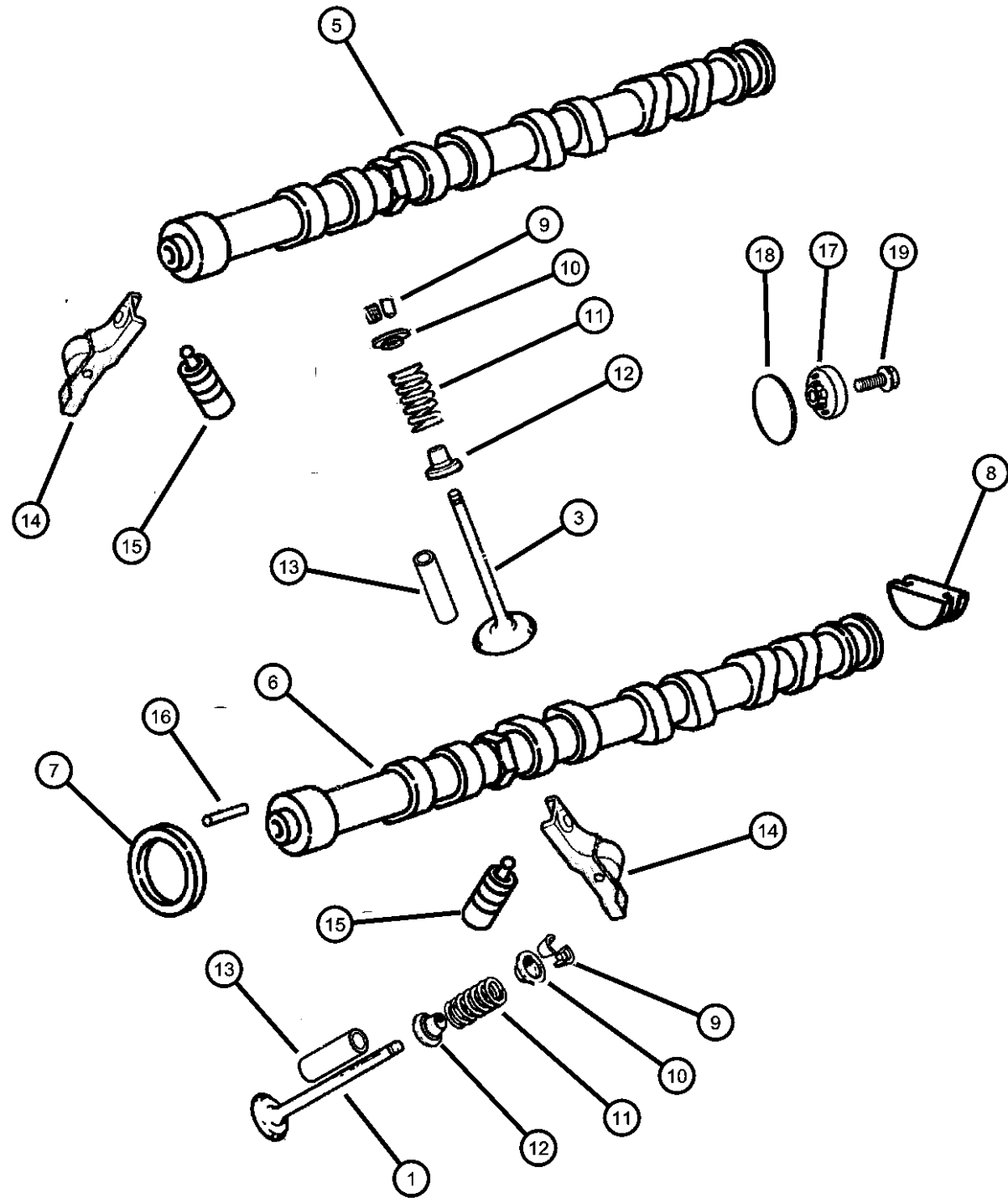
ITEM	PART NUMBER	QTY	LINE	SERIES	BODY	ENGINE	TRANS	TRIM	DESCRIPTION
------	-------------	-----	------	--------	------	--------	-------	------	-------------

NOTE:
Sales Codes:
EDZ=2.4L 4 Cyl. DOHC 16V
DD3=5 Speed Manual Transmission
DGL=4 Speed Automatic Transmission

1	04740930	4				EDZ			BEARING PACKAGE, Connecting Rod, Standard
-2	04740931	4				EDZ			BEARING PACKAGE, Connecting Rod, .025mm Undersize, .025mm
-3	04740932	4				EDZ			BEARING PACKAGE, Connecting Rod, .25mm Undersize, .25mm
4	04740927	1				EDZ			BEARING PACKAGE, Crankshaft Thrust, Standard Size
-5	04740928	1				EDZ			BEARING PACKAGE, Crankshaft, .025mm Undersize
-6	04740929	1				EDZ			BEARING PACKAGE, Crankshaft Thrust, .25mm Undersize
7	04740924	4				EDZ			BEARING PACKAGE, Crankshaft, Standard Size
-8	04740928	1				EDZ			BEARING PACKAGE, Crankshaft, .025mm Undersize
-9	04740926	4				EDZ			BEARING PACKAGE, Crankshaft, .25 mm Undersize
10	04621917	1				EDZ			CRANKSHAFT
11	06035473	1				EDZ			KEY, Crankshaft Sprocket
12	04667904	1				EDZ			SEAL, Rear Main Crankshaft
13	06503465	8				ECB, EDZ			BOLT, Drive Plate and Flywheel
14	06501099	4				EDZ			BOLT, Hex Head, M10x1.50 x 13.20
15									PLATE, Drive Plate
	04446309	1	C			ECB, EDZ			52
		1	C			ECB, EDZ			53
		1	U			ECB, EDZ			52
		1	U			ECB, EDZ			53
		1	Y			ECB, EDZ			52
		1	Y			ECB, EDZ			53
		1	Z			ECB, EDZ			52
		1	Z			ECB, EDZ			53
16	04778031	1				EDZ	DGL		CONVERTER PACKAGE, Torque
	R4778031AB								Mopar Remanufactured Part
17	04471933	1				ECB, EDZ			PLATE, Drive Plate Backing
18	04773005	4				EDZ			PISTON RING SET, COMPLETE ENGINE, STD.
19	04796212	4				EDZ			PISTON PIN AND ROD
-20	05222629	1				EDZ	DGL		SEAL, Torque Converter Hub

AR = use ase required - = Non illustrated part

Camshaft and Valves (EDZ)
Figure 2.4L-521

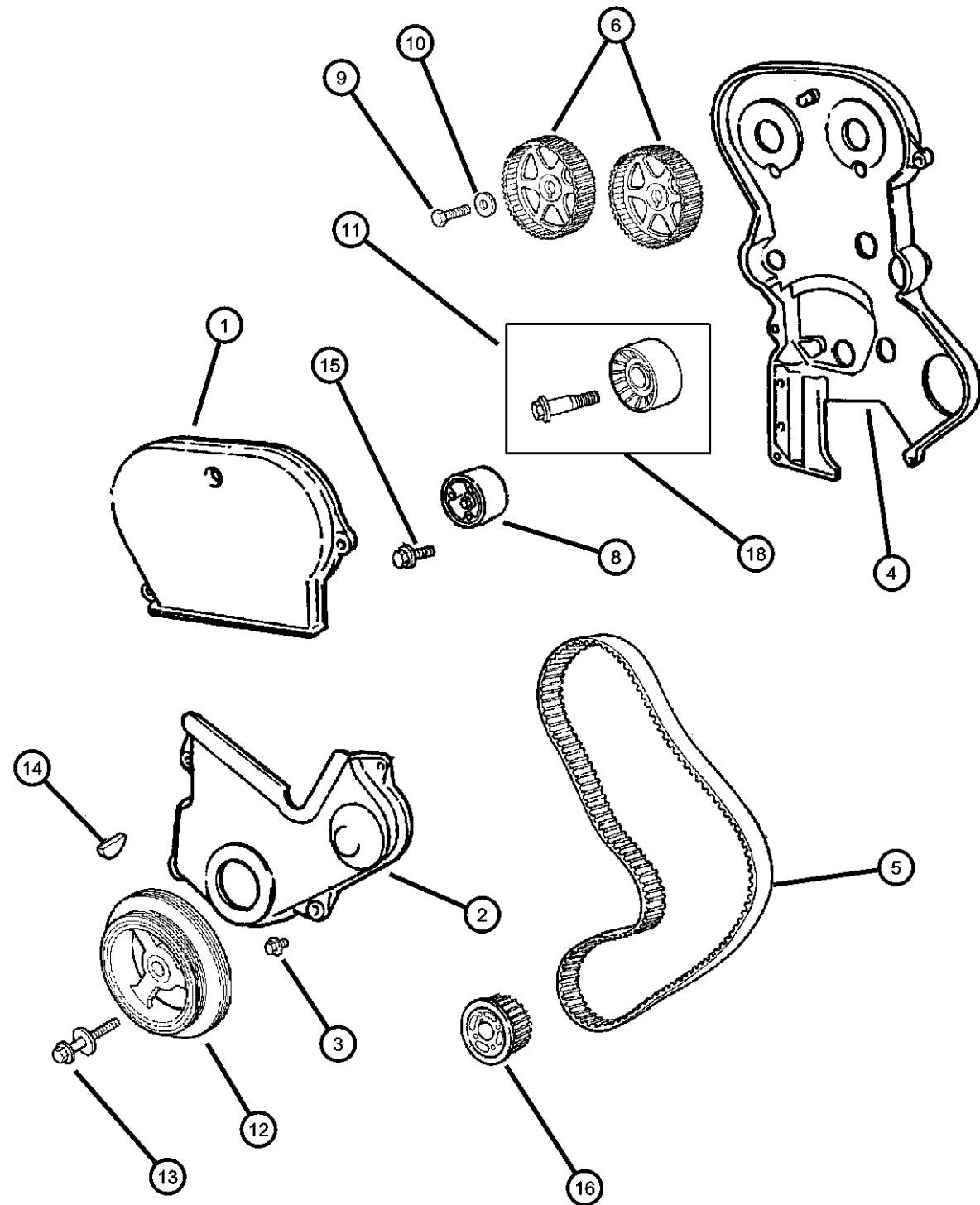


NOTE:
 EDZ=2.4L 4 Cyl. DOHC 16V
 DD3=5 Speed Manual Transmission
 DGL=4 Speed Automatic Transmission

ITEM	PART NUMBER	QTY	LINE	SERIES	BODY	ENGINE	TRANS	TRIM	DESCRIPTION
1	04667972	8				EDZ			VALVE, Exhaust, Standard
-2	04667973	AR				EDZ			VALVE, Exhaust, .015" O/S
3	04667969	8				EDZ			VALVE, Intake, Standard
-4	04667970	AR				EDZ			VALVE, Intake, .015" O/S
5	04621533	1				EDZ			CAMSHAFT, Intake
6	04621535	1				EDZ			CAMSHAFT, Exhaust
7	04777086	2				EDZ			SEAL, Camshaft
8	04667731	1				EDZ			PLUG, Camshaft
9	04777050	32				EDZ			LOCK, Valve Spring Retainer
10	04648682	16				EDZ			RETAINER, Valve Spring
11	04621530	16				EDZ			SPRING, Valve
12	04648619	16				EDZ			SEAL, Valve Guide
13	04667411	16				EDZ			GUIDE, Intake/Exhaust Valve, 7mm Oversize
14	04667139	16				EDZ			ROCKER ARM, Valve Roller
15	04667140	16				EDZ			ADJUSTER, Valve Lash
16	06100997	2				EDZ			PIN, Dowel
17	05269547	1				EDZ			CAM MAGNET, Target
18	04777068	1				EDZ			SEAL, Camshaft Sensor
19	06503688	1				EDZ			BOLT, Hex Flange Head, M6x1.00x40

AR = use ase required - = Non illustrated part

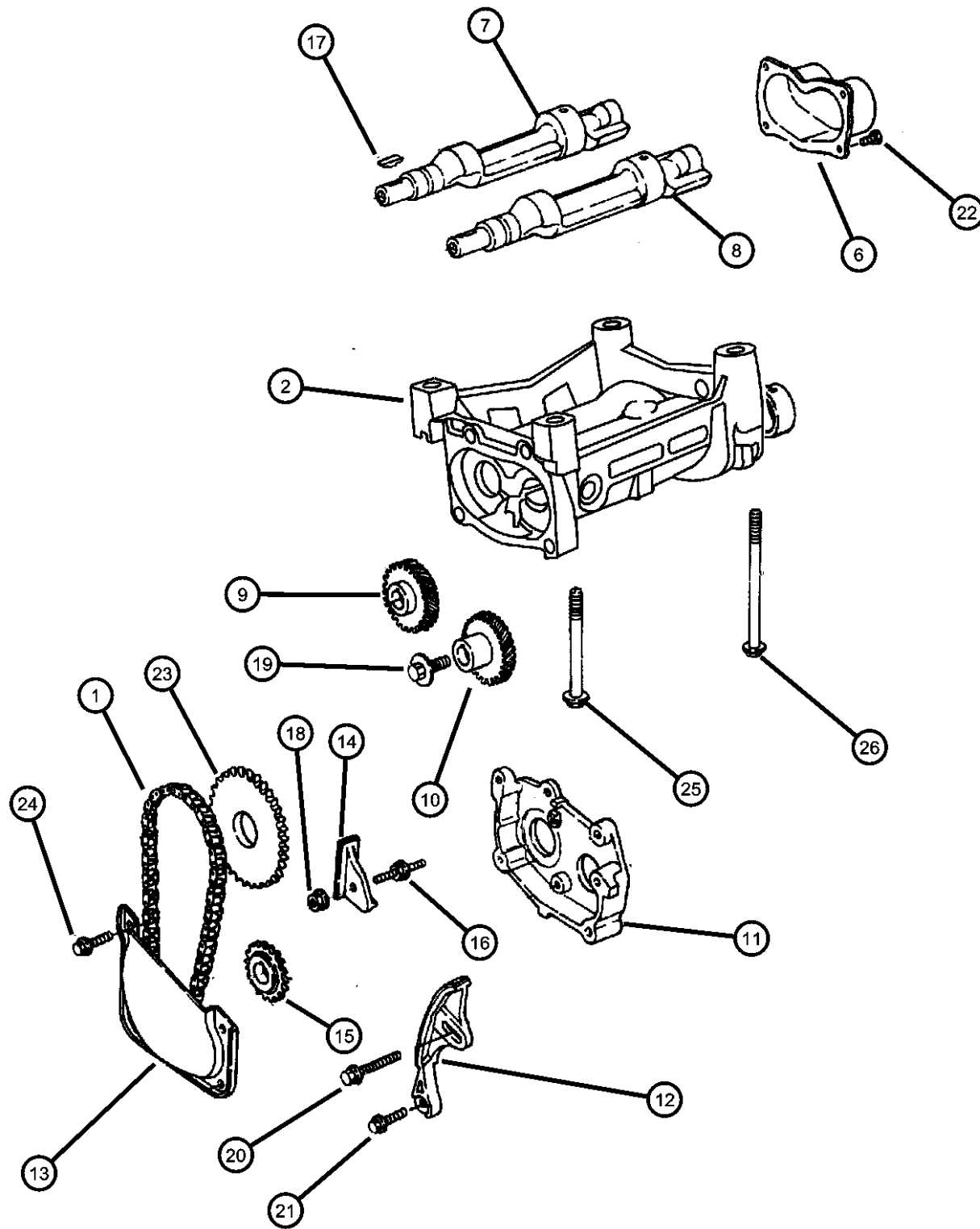
Timing Belt and Cover (EDZ)
Figure 2.4L-621



ITEM	PART NUMBER	QTY	LINE	SERIES	BODY	ENGINE	TRANS	TRIM	DESCRIPTION
NOTE: Sales Codes: EDZ=2.4L 4 Cyl. DOHC 16V DD3=5 Speed Manual Transmission DGL=4 Speed Automatic Transmission									
1	04694205	1				EDZ			COVER, Timing Belt
2	04694206	1				EDZ			COVER, Timing Belt
3	06102003	7				EDZ			BOLT AND CONED WASHER, Hex Head, M6x16x14
4	04694318	1				EDZ			COVER, Timing Belt
5	04621844	1				EDZ			BELT, Timing
	TB000265								Mopar V-Line Alternative Part
6	04667609	2				EDZ			GEAR, Camshaft
-7	06100997	2				EDZ			PIN, Dowel
8	04694229	1				EDZ			TENSIONER PACKAGE, Belt
9	06501405	2				EDZ			BOLT, Hex Head, M12x1.50x52
10	06503438	2				EDZ			WASHER, Flared, 13x35.00x4.70
11	04694228	1				EDZ			PULLEY PACKAGE, Idler
12	04694268	1				EDZ			DAMPER, Engine Vibration
13	06503553	1				EDZ			BOLT, Hex Flange Head, M12x1.75x87.50
14	06035473	1				EDZ			KEY, Crankshaft Sprocket
15	06503983	1				EDZ			BOLT AND WASHER, Hex Head, M10x1.50x62
16	04621918	1				EDZ			GEAR, Crankshaft
-17	04684120	1							BUSHING, Pivot
18									BELT PACKAGE, Idler Pulley and Timing
	05003284AA	1	C, Y, Z			EDZ	DD3		
		1				EDZ	DGL		

AR = use ase required - = Non illustrated part

**Balance Shaft [EDZ]
Figure 2.4L-625**

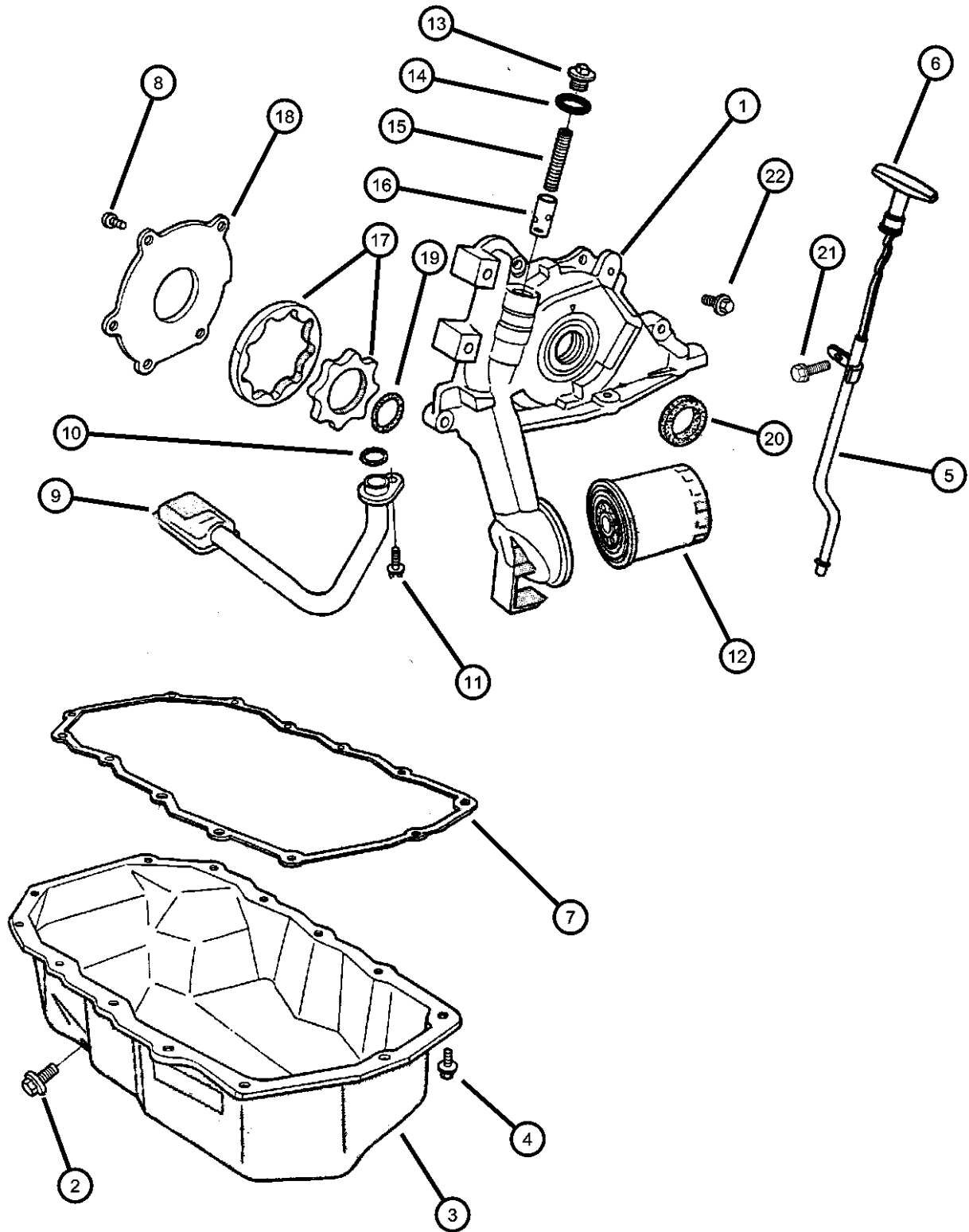


NOTE:
Sales Codes:
EDZ=2.4L 4Cyl. DOHC 16V
DD3=5 Speed Manual Transmission
DGL=4 Speed Automatic Transmission

ITEM	PART NUMBER	QTY	LINE	SERIES	BODY	ENGINE	TRANS	TRIM	DESCRIPTION
1	04621996	1				EDZ			CHAIN, Balance Shaft
2	04621519	1				EDZ			CARRIER, Balance Shaft
-3	05203466	2				EDZ			PIN, Dowel
-4	04694104	2				EDZ			DOWEL, Block To Cylinder Head
-5	00444668	1				EDZ			PLUG, Core
6	04323043	1				EDZ			COVER, Balance Shaft Carrier
7	04621517	1				EDZ			SHAFT, Balance
8	04621518	1				EDZ			SHAFT, Balance
9	04621952	1				EDZ			GEAR, Balance Shaft Driver
10	04621951	1				EDZ			GEAR, Balance Shaft Driven
11	04323039	1				EDZ			COVER, Balance Shaft Gear
12	04343662	1				EDZ			TENSIONER, Chain
13	04323041	1				EDZ			TROUGH, Carrier Cover
14	04343660	1				EDZ			GUIDE, Balance Shaft Chain
15	04483485	1				EDZ			GEAR, Balance Shaft
16									STUD, M6x1.00x40.00
	06505188AA	1	C, Y, Z			EDZ	DD3		
		1				EDZ	DGL		
17	06500150	2				EDZ			KEY, Crankshaft Sprocket
18	06100047	1				EDZ			NUT AND WASHER, Hex Nut-Coned Washer, M6 x 1.00
19	06501404	2				EDZ			SCREW AND WASHER, Hex Head, M8x1.25x25
20									SCREW AND WASHER, Hex Head, M6x1x35
	06100279	1	C, Y, Z			EDZ	DD3		
		1				EDZ	DGL		
21	06100276	1				EDZ			BOLT AND WASHER, M6x12
22	06501714	4				EDZ			SCREW AND WASHER, Hex Head, M6x1x18
23	04621541	1				EDZ			GEAR, Crankshaft
24	06100272	2				EDZ			BOLT AND CONED WASHER, Hex Head, M6x50x12.5
25	06503389	2				EDZ			BOLT, Hex Flange Head, M10x1.50x108
26									BOLT
	06504878AA	2				EDZ	DD3		
		2				EDZ	DGL		

AR = use ase required - = Non illustrated part

**Engine Oiling (EDZ)
Figure 2.4L-721**



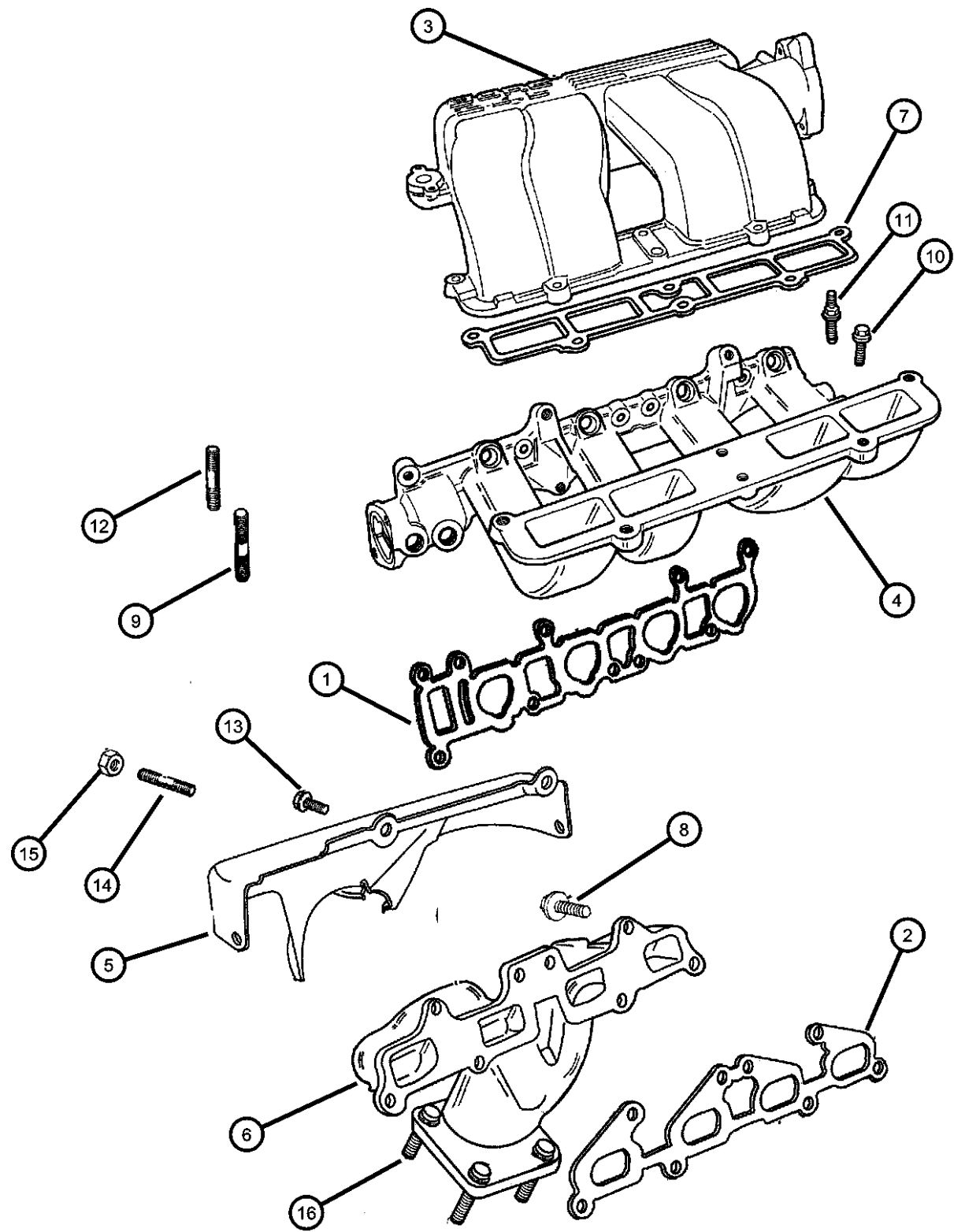
ITEM	PART NUMBER	QTY	LINE	SERIES	BODY	ENGINE	TRANS	TRIM	DESCRIPTION
------	-------------	-----	------	--------	------	--------	-------	------	-------------

NOTE:
Sales Codes:
EDZ=2.4L 4 Cyl. DOHC 16V
DD3=5 Speed Manual Transmission
DGL=4 Speed Automatic Transmission

1	04694304	1				EDZ			PUMP, Engine Oil, Consist of Items 14,15 16, 17, 18
2	06504018	1				EDZ			PLUG, Oil Drain
3	04621492	1				EDZ			PAN, Engine Oil
4	06502343	12				EDZ			SCREW AND WASHER, Hex Head, M6x1x25
5									TUBE, Engine Oil Indicator
	04621500	1				EDZ	DD3		
		1				EDZ	DGL		
6	04621501	1				EDZ	DGL		INDICATOR, Engine Oil Level
7	04621579	1				EDZ			GASKET, Oil Pan
8	06101386	5				ECB			SCREW, Flange Head, M6x1x18
9	04621496	1				EDZ			TUBE, Oil Pickup
10	06032920	1				EDZ			SEAL, Oil Pick Up Tube
11	06500070	1				EDZ			SCREW AND WASHER, Hex Head, M8x1.25x25
12	04105409	1				EDZ			FILTER, Engine Oil
13	00618621	1				EDZ			CAP, Oil Pressure Relief Valve
14	04777062	1				EDZ			GASKET, Oil Pump Relief Valve
15	01737744	1				EDZ			SPRING, Oil Pressure Relief Valve
16	02843208	1				EDZ			PLUNGER, Oil Pressure Relief Valve
17	04773672	1				EDZ			ROTOR SET, Oil Pump
18	04621523	1				EDZ			COVER, Oil Pump Back
19	04483444	1				EDZ			O RING, Front Cover Oil Inlet
20	04667198	1				EDZ			SEAL, Rear Main Crankshaft
21	06101452	2				EDZ			SCREW AND WASHER, Hex Head, M8x1.25x20
22	06503914	1				EDZ			BOLT, Hex Head
-23									BOLT, Hex Head
	06100296	3				EDZ			
	06100307	2	C, Y, Z			EDZ	DD3		
		2				EDZ	DGL		

AR = use ase required - = Non illustrated part

Manifolds, Intake & Exhaust (EDZ)
Figure 2.4L-821



ITEM	PART NUMBER	QTY	LINE	SERIES	BODY	ENGINE	TRANS	TRIM	DESCRIPTION
------	-------------	-----	------	--------	------	--------	-------	------	-------------

NOTE:
 Sales Codes:
 EDZ=2.4L 4 Cyl. DOHC 16V
 DD3=5 Speed Manual Transmission
 DGL=4 Speed Automatic Transmission

1	04667539	1				EDZ			GASKET, Intake Manifold
2	04621833	1				EDZ			GASKET, Exhaust Manifold
3	04694258	1				EDZ	DGL		PLENUM, Manifold, Upper
4	04694130	1				EDZ			MANIFOLD, Intake, Lower
5	04694232	1				EDZ			SHIELD, Wiring
6	04621498	1				EDZ			MANIFOLD, Exhaust
7	04621904	1				EDZ			GASKET, Intake Manifold
8	06503131	6				EDZ			BOLT, Hex Flange Head, M8x1.25x30
9	06503833	2				EDZ			STUD, M8-1.25x49.50
10	06504171	8				EDZ			SCREW, Hex Flange Head, M8x1.25x32
11	06101452	2				EDZ			SCREW AND WASHER, Hex Head, M8x1.25x20
12	06503866	1				EDZ			STUD, M8x
13	06100274	2				EDZ			BOLT AND CONED WASHER, Hex Head, M6x14x14
14	06504170	2				EDZ			STUD, M8x1.25x44.80
15	06504152	2				EDZ			NUT, Hex Flange Lock, M8x1.25
16	06101614	4				ED0, EGO			SCREW AND WASHER, Hex Head, M8x1.25x45
-17	06101614	4							STRUT, Intake Manifold, (NOT REQUIRED)
-18	06101614	4							STRUT, Intake Manifold, (NOT REQUIRED)

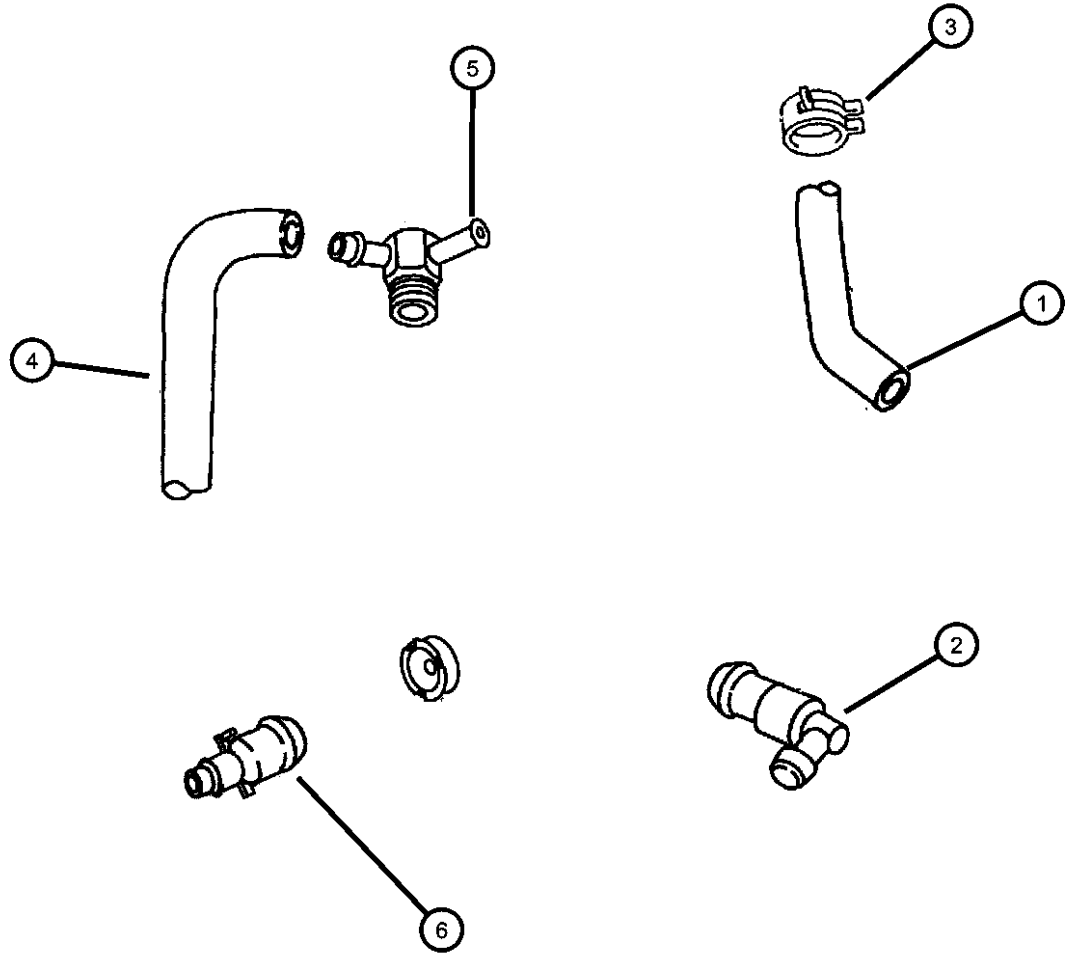
AR = use ase required - = Non illustrated part

**Crankcase Ventilation (EDZ)
Figure 2.4L-921**

ITEM	PART NUMBER	QTY	LINE	SERIES	BODY	ENGINE	TRANS	TRIM	DESCRIPTION
------	-------------	-----	------	--------	------	--------	-------	------	-------------

NOTE:
Sales Codes:
EDZ=2.4L 4 Cyl. DOHC 16V
DD3=5 Speed Manual Transmission
DGL=4 Speed Automatic Transmission

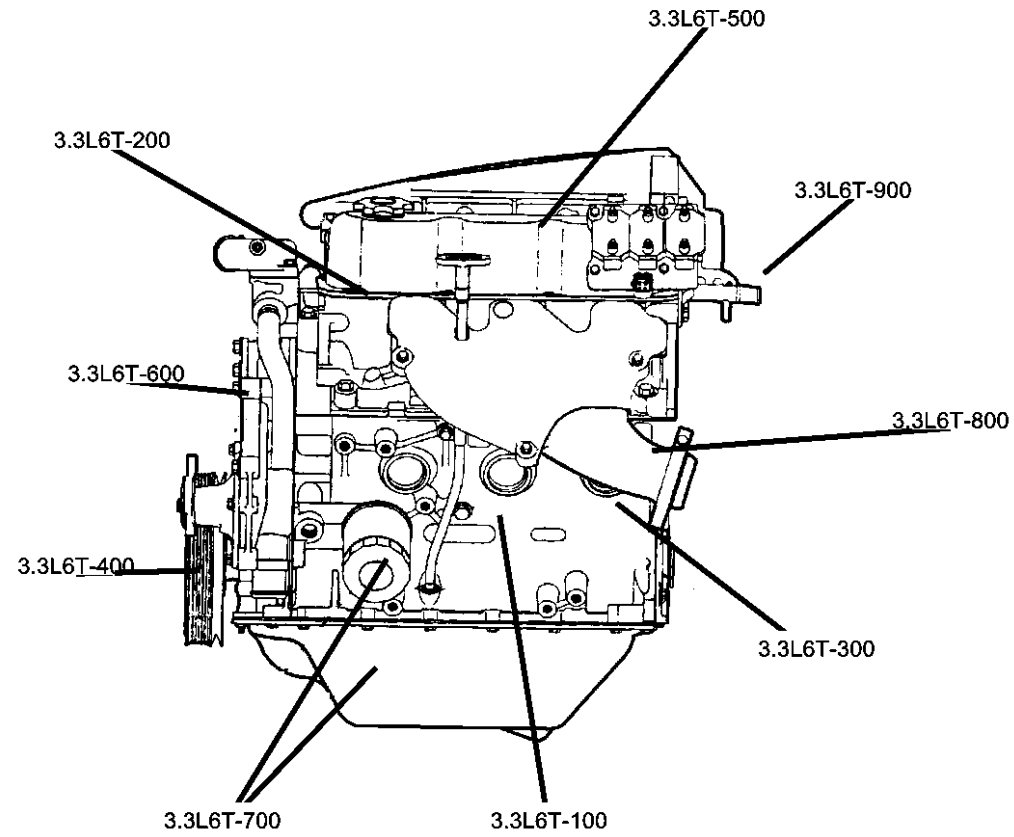
1	04621730	1				EDZ	DGL		HOSE, PCV Valve To intake Manifold
2	05214088	1				EDZ	DGL		VALVE, PCV
3	06502017	2				EDZ			CLAMP, Heater Hose
4	04694673	1				EDZ	DD3		HOSE, PCV Valve To intake Manifold
5	04387304	1				EDZ			NIPPLE, Crankcase Vent
6	04667303	1				EDZ			RESTRICTOR, PCV
-7	04667303	1							INSULATOR, PCV Valve To Intake Hose, (NOT REQUIRED)



AR = use ase required - = Non illustrated part

Group - 3.3L6T

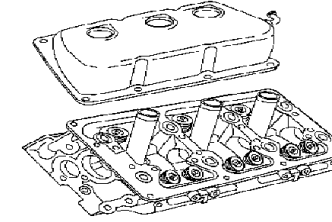
Engine 3.3L Six Cylinder



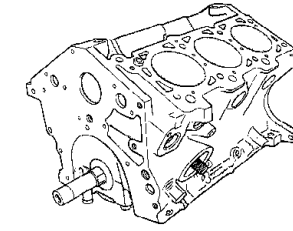
3.3L6T-100 Engine Identification

X Model Year	X Manufacturing Plant	XXXXX Component Code/Usage	XXXX Month/Day	XXXXXXXX Serial Code
Last digit of model year	Sattilo S Trenton T Tokyo K	Engine 3.3L - 3.5L Usage Pass Car PC Truck T		Last 8 Digits of VIN

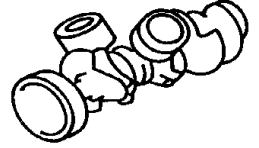
3.3L6T-200 Cylinder Head



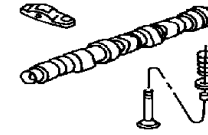
3.3L6T-300 Cylinder Block



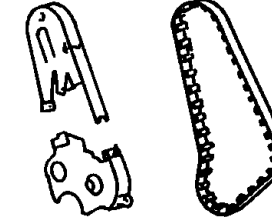
3.3L6T-400 Crankshaft, Piston and Torque Converter



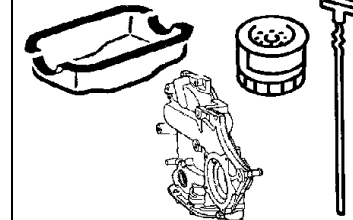
3.3L6T-500 Camshafts & Valves



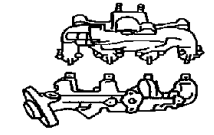
3.3L6T-600 Timing Chain and Cover



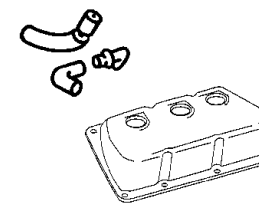
3.3L6T-700 Engine Oiling



3.3L6T-800 Manifolds



3.3L6T-900 Crankcase Ventilation

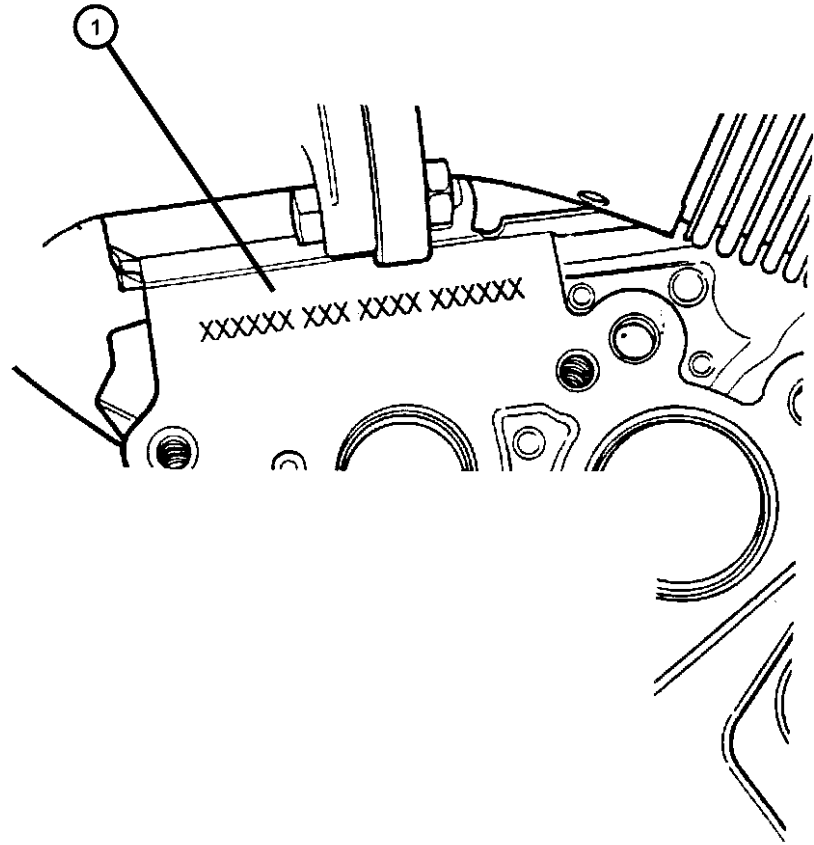


Group - 3.3L6T Engine 3.3L Six Cylinder

Illustration Title	Group-Fig. No.
Engine Identification	
I. D. Location (EGA).....	Fig. 3.3L6T - 110
Cylinder Head	
Cylinder Head (EGA)	Fig. 3.3L6T - 210
Cylinder Block	
Cylinder Block (EGA)	Fig. 3.3L6T - 310
Crankshaft, Piston and Torque Converter	
Crankshaft, Piston, Torque Converter (EGA)	Fig. 3.3L6T - 410
Camshafts & Valves	
Camshaft and Valves (EGA)	Fig. 3.3L6T - 510
Timing Chain and Cover	
Timing Chain and Cover (EGA).....	Fig. 3.3L6T - 610
Engine Oiling	
Engine Oiling (EGA)	Fig. 3.3L6T - 710
Engine Oil Cooler [EGA].....	Fig. 3.3L6T - 720
Manifolds	
Manifolds, Intake and Exhaust (EGA)	Fig. 3.3L6T - 810
Crankcase Ventilation	
Crankcase Ventilation (EGA).....	Fig. 3.3L6T - 910

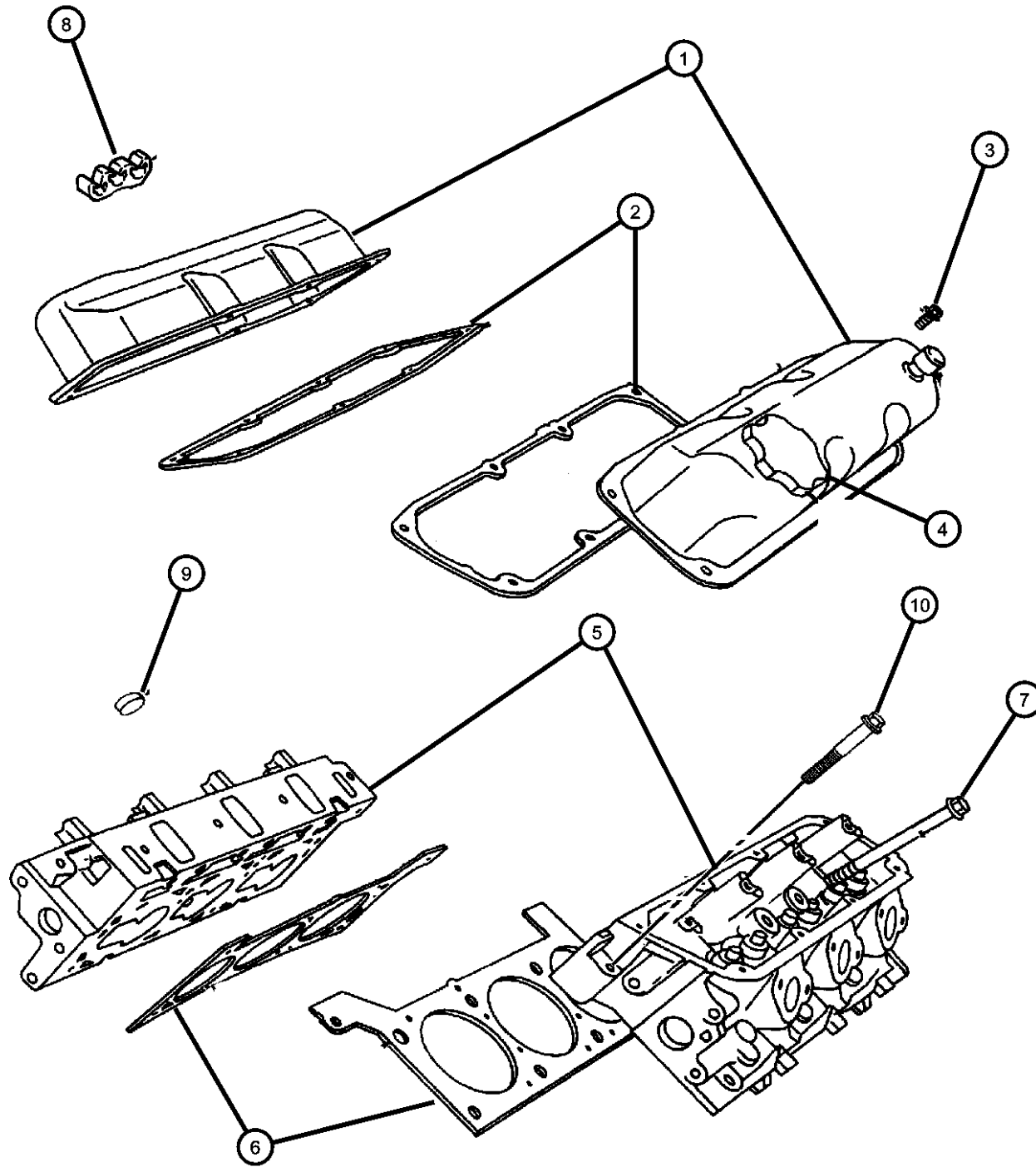
I. D. Location (EGA)
Figure 3.3L6T-110

ITEM	PART NUMBER	QTY	LINE	SERIES	BODY	ENGINE	TRANS	TRIM	DESCRIPTION
1	04667303	1							LABEL, Engine Identification, (NOT SERVICED)



AR = use ase required - = Non illustrated part

**Cylinder Head (EGA)
Figure 3.3L6T-210**



ITEM	PART NUMBER	QTY	LINE	SERIES	BODY	ENGINE	TRANS	TRIM	DESCRIPTION
------	-------------	-----	------	--------	------	--------	-------	------	-------------

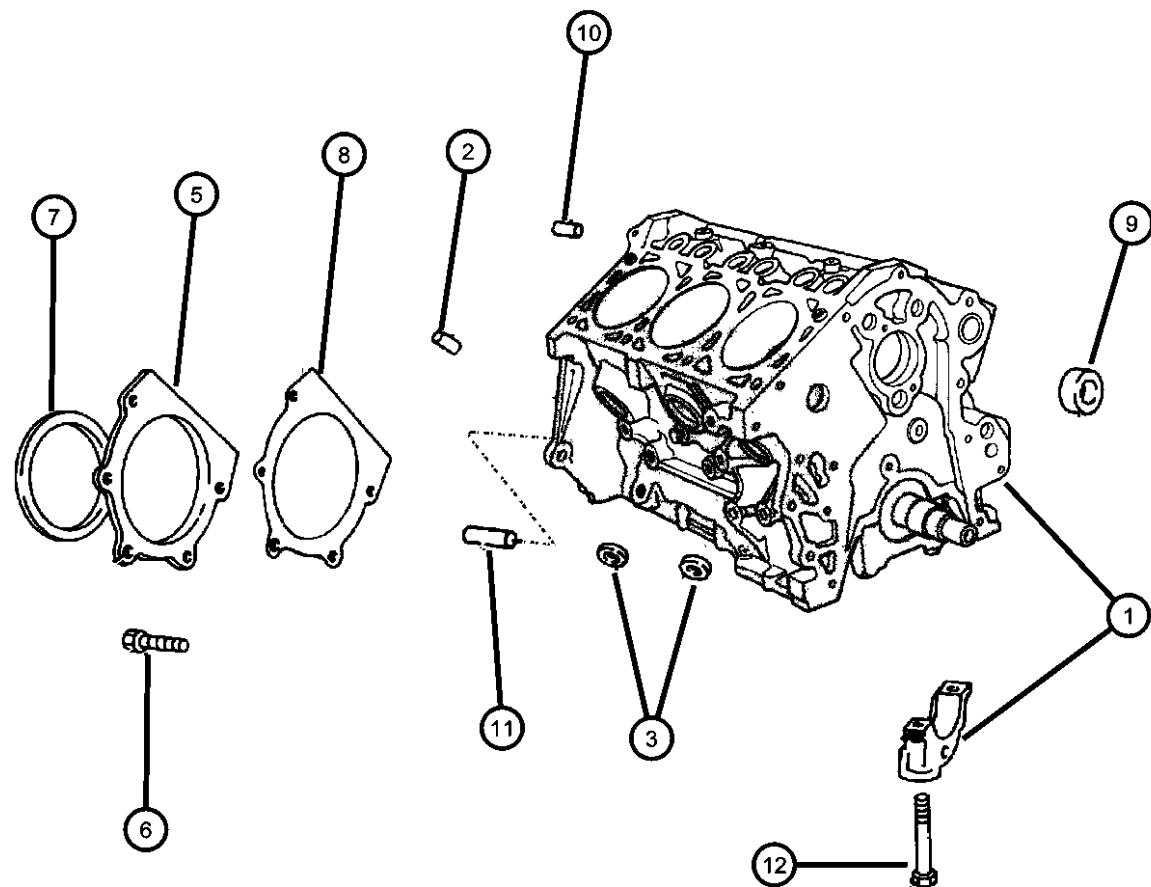
NOTE:
Sales Codes:
EGA=3.3L V-6 MPI

1									COVER, Cylinder Head, Right
	04448867	1				EGA			Left
	04621860	1				EGA			Right
2	04448007	2				EGA			GASKET, Valve Cover
3	06502343	16				EGA			LIMITER, Compression, Cylinder Head Cover
4	53020555	1				EGA			CAP, Oil Filler
5	04882220	2				EGA			HEAD, Cylinder
	R5633436								Mopar Remanufactured Part
6									GASKET, Cylinder Head
	04621769	1				EGA			Left
	04621770	1				EGA			Right
7	06504060	16				EGA			BOLT, Cylinder Head
8									BRACKET, Ignition Wire Seperator
	04686155	1				EGA			Left
	05234507	1				EGA			Right
9	04556020	4				EGA			PLUG, Core, 1.25 Diameter
10	06101631	2				EGA			SCREW AND WASHER, Hex Head, M8x1.25x65
-11	04882159	1				EGA			GASKET PACKAGE, Engine Upper
-12	00444650	1				EGA			PLUG, Pipe
-13	04694215	1				EGA			LABEL, Engine Identification

AR = use ase required - = Non illustrated part

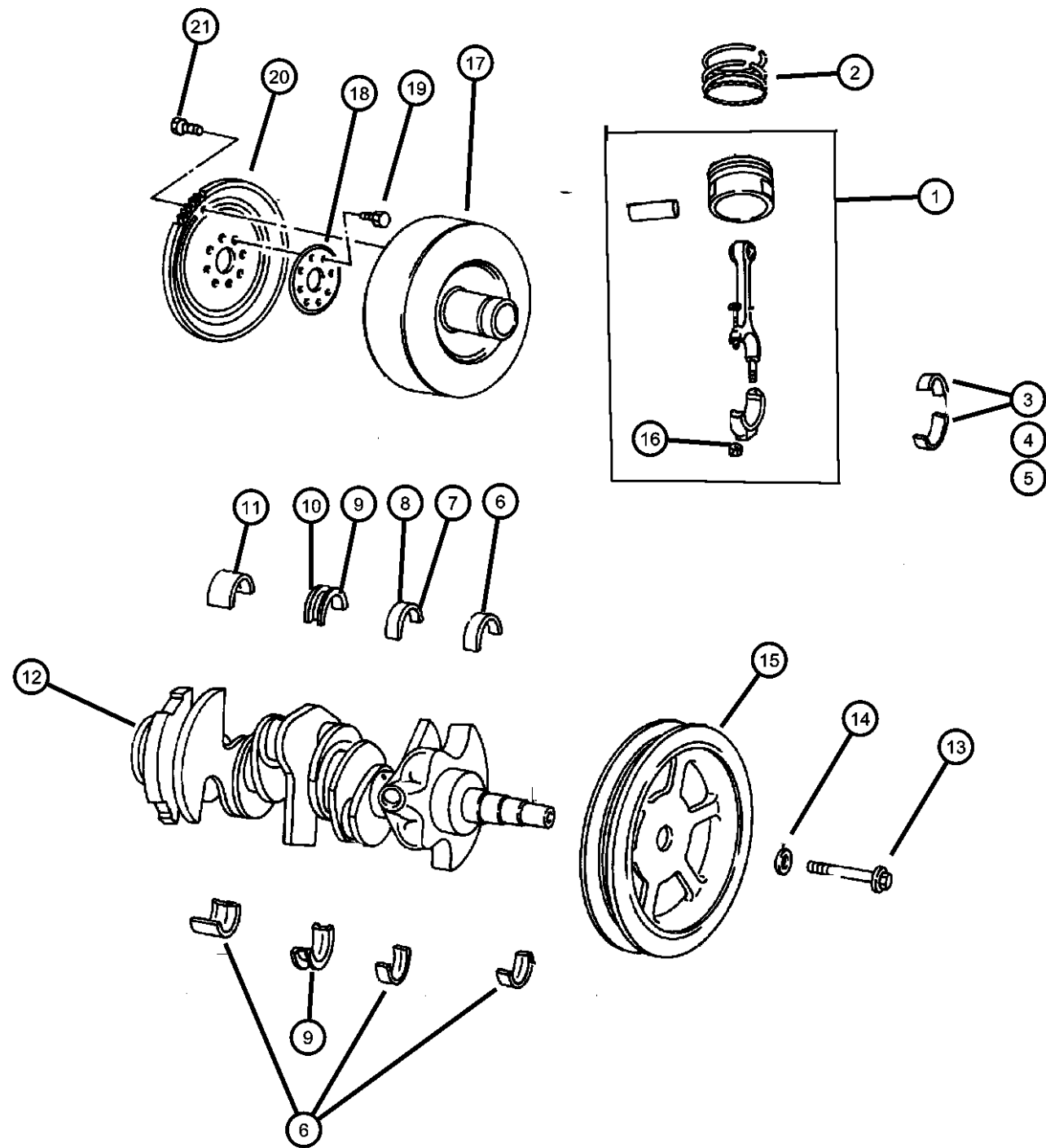
**Cylinder Block (EGA)
Figure 3.3L6T-310**

ITEM	PART NUMBER	QTY	LINE	SERIES	BODY	ENGINE	TRANS	TRIM	DESCRIPTION
NOTE: Sales Codes: EGA=3.3L V-6 MPI									
1	04882149	1				EGA			BLOCK, Short
	R0633403								Mopar Remanufactured Long Block 1990 - 1993 1/2 All 3.3L(EGA)except LH
	R0633435								Mopar Remanufactured Long Block 1993 1/2-1995 All 3.3L(EGA)except LH
	R0633466								Mopar Remanufactured Long Block 1996-1997 All 3.3L(EGA)except LH
2	04694104	4				EGA			DOWEL, Block To Cylinder Head
3	04556022	8				EGA			PLUG, Core, 1.625 Diameter
-4	04556023	AR				EGA, EGH			PLUG, Core, 1.695 Diameter
5	04654389	1				EGA			RETAINER, Crankshaft Rear Oil Seal
6	06101278	5				EGA			BOLT AND WASHER, M6x12
7	04621939	1				EGA			SEAL, Rear Main Crankshaft
8	04621965	1				EGA			GASKET, Rear Oil Seal Retainer
9	04556018	5				EGA			PLUG, Cylinder Block Oil Hole 5/8
	04556019	AR				EGA, EGH			
	04556222	2				EGA			0.88MM - O/S
10	05240849	2				EGA			DOWEL, Block To Clutch Housing
11	05203466	2				EGA			PIN, Dowel
12	06503201	8				EGA			BOLT, Main Bearing Cap
-13	04778037	1				EGA			GASKET PACKAGE, Engine Lower



AR = use ase required - = Non illustrated part

**Crankshaft, Piston, Torque Converter (EGA)
Figure 3.3L6T-410**



ITEM	PART NUMBER	QTY	LINE	SERIES	BODY	ENGINE	TRANS	TRIM	DESCRIPTION
NOTE: Sales Codes: [EGA]=3.3L V-6 MPI [DGL]=4 Speed Automatic Transmission									
1	04798744	1				EGA			PISTON PIN AND ROD
2	05241052	1				EGA			PISTON RING SET, COMPLETE ENGINE, STD.
3	04798498	1				EGA			BEARING PACKAGE, Connecting Rod, Standard
4	04798499	1				EGA			BEARING PACKAGE, Connecting Rod, .025mm Undersize, .025mm
5	04798501	1				EGA			BEARING PACKAGE, Connecting Rod, .25mm Undersize, .25mm
6	04798509	1				EGA			BEARING PACKAGE, Crankshaft, Standard Size, Standard
7	04798504	1				EGA			BEARING PACKAGE, Crankshaft, .025mm Undersize
8	04798506	1				EGA			BEARING PACKAGE, Crankshaft, .25mm Undersize, .25mm
9	04728222	1				EGA			BEARING PACKAGE, Crankshaft, Standard, Standard
10	04728223	1				EGA			BEARING PACKAGE, Crankshaft, .025mm Undersize
11	04728224	1				EGA			BEARING PACKAGE, Crankshaft, .25 mm Undersize, .25mm
12	04556224	1				EGA			CRANKSHAFT
13	06502976	1				EGA			SCREW, Hex Flange Head, M10x1.5x61
14	06500431	1				EGA			WASHER
15	04448886	1				EGA			DAMPER, Crankshaft
16	04227678	12				EGA			NUT, Hex, .375-24
17	04797476	1				EGA, EGH			CONVERTER PACKAGE, Torque Mopar Remanufactured Part
18	04471933	1							PLATE, Drive Plate Backing
19	06503465	8							BOLT, Drive Plate and Flywheel
20	04736130	1				EGA, EGH			PLATE, Drive Plate
21	06501099	4					DGL		BOLT, Hex Head, M10x1.50 x 13.20
-22	05222629	1				EGA, EGH			SEAL, Torque Converter Hub

AR = use ase required - = Non illustrated part

**Camshaft and Valves (EGA)
Figure 3.3L6T-510**

ITEM	PART NUMBER	QTY	LINE	SERIES	BODY	ENGINE	TRANS	TRIM	DESCRIPTION
------	-------------	-----	------	--------	------	--------	-------	------	-------------

NOTE:
Sales Codes:
EGA=3.3L V-6 MPI

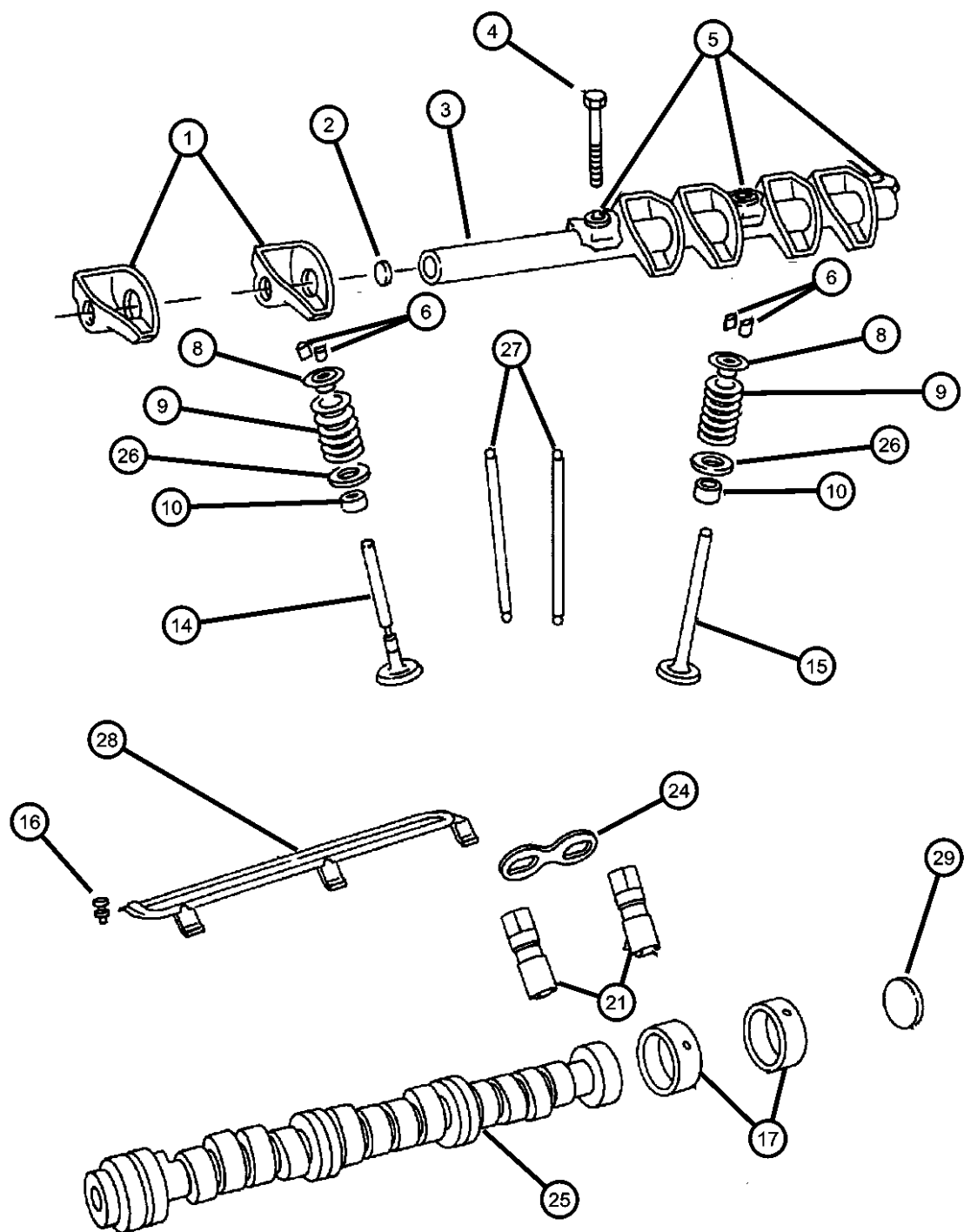
1	04483725	12				EGA			ROCKER ARM, Valve
2	01324268	4				EGA			PLUG, Rocker Shaft
3	04448152	2				EGA			SHAFT, Rocker Arm
4	06100174	8				EGA			BOLT, Hex Flange Head, M8x65
5	02463322	8				EGA			RETAINER, Valve Rocker Shaft
6	04448075	12				EGA			LOCK, Valve Spring Retainer, Intake
-7	05203577	12				EGA			LOCK, Valve Spring Retainer, Exhaust
8	04483745	12				EGA			RETAINER, Valve Spring
9	04483859	12				EGA			SPRING, Valve
10	04201332	12				EGA			SEAL, Valve Guide, Standard
-11	04105366	1				EGA			SEAL, Valve Guide, .015" Oversize, .15mm
-12	04105367	1				EGA			SEAL, Valve Guide, 0.40mm Oversize, .40mm
-13	04105368	1				EGA			SEAL, Valve Guide, 0.80mm Oversize, .80mm
14									VALVE, Intake, Standard
	04448052	6				EGA			Standard
	04448053	1				EGA			.15mm
	04448054	1				EGA			.40mm
	04448055	1				EGA			.80
15									VALVE, Exhaust, Standard
	04621116	6				EGA			Standard
	04621117	1				EGA			.15mm
	04621118	1				EGA			.40mm
	04621119	1				EGA			.80mm
16	06500136	2				EGA, EGH			SCREW AND WASHER, Hex Head, M6x1x14
17	04448166	1				EGA			BEARING, Camshaft, #1
-18	04448168	1				EGA			BEARING, Camshaft, #2
-19	04448170	1				EGA			BEARING, Camshaft, #3
-20	04448172	1				EGA			BEARING, Camshaft, #4
21	04621938	12				EGA			TAPPET, Valve, Standard
-22	04762578	1				EGA			TAPPET, Valve, .001 Oversize
-23									TAPPET, Valve, .008 Oversize
	04387679	AR				EGA, EGH			
	04762579	1				EGA			
24	04448078	6				EGA			YOKE, Tappet Aligning
25	04621685	1				EGA			CAMSHAFT, Engine
26	05203474	12				EGA			SEAT, Valve Spring

AR = use ase required - = Non illustrated part

Camshaft and Valves (EGA)
Figure 3.3L6T-510

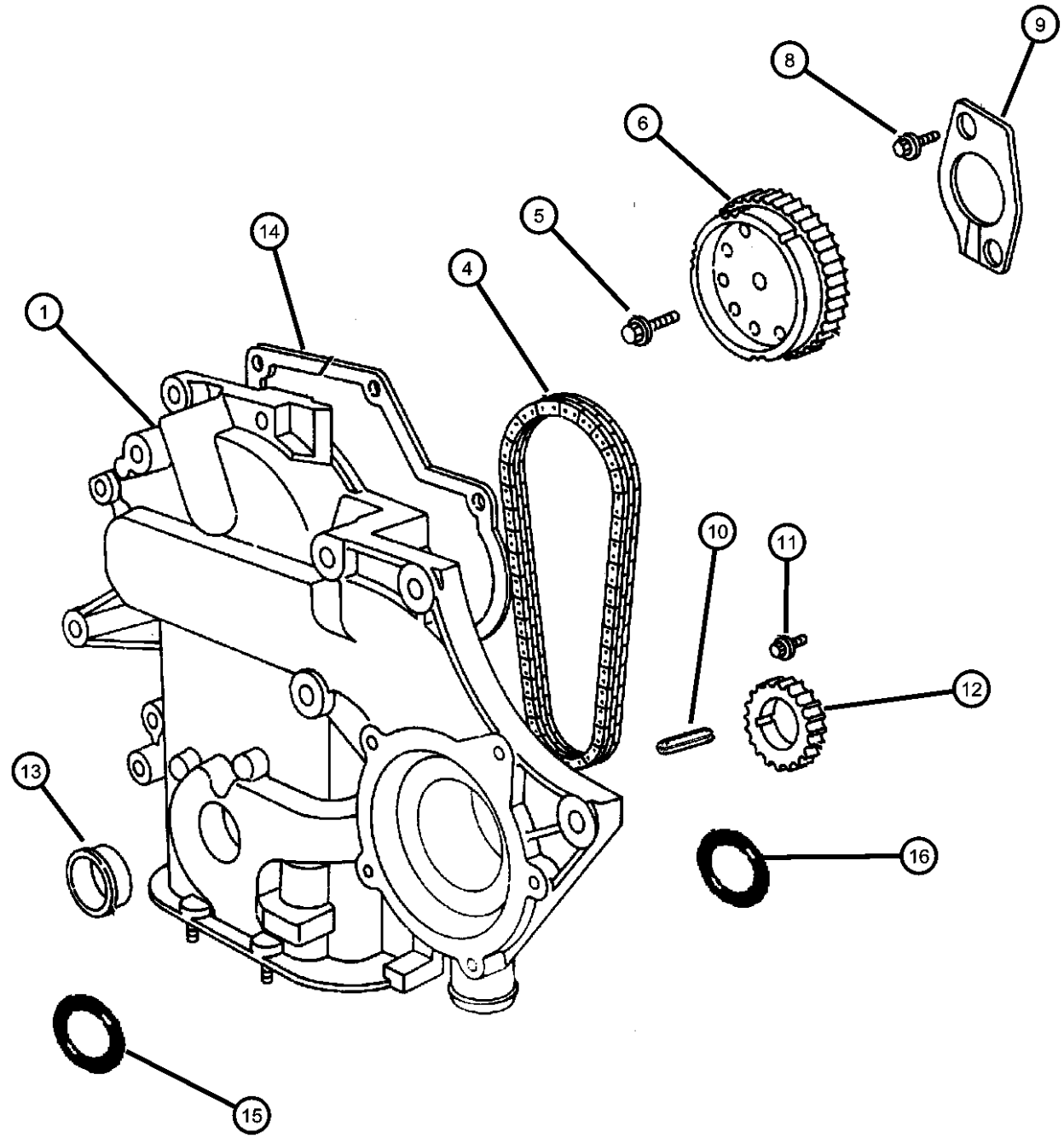
ITEM	PART NUMBER	QTY	LINE	SERIES	BODY	ENGINE	TRANS	TRIM	DESCRIPTION
------	-------------	-----	------	--------	------	--------	-------	------	-------------

27	04448050	12				EGA			PUSH ROD, FRONT SUSPENSION
28	04448933	1				EGA			RETAINER, Tappet Yoke Aligning
29	04694337	1				EGA			PLUG, Camshaft



AR = use ase required - = Non illustrated part

Timing Chain and Cover (EGA)
Figure 3.3L6T-610



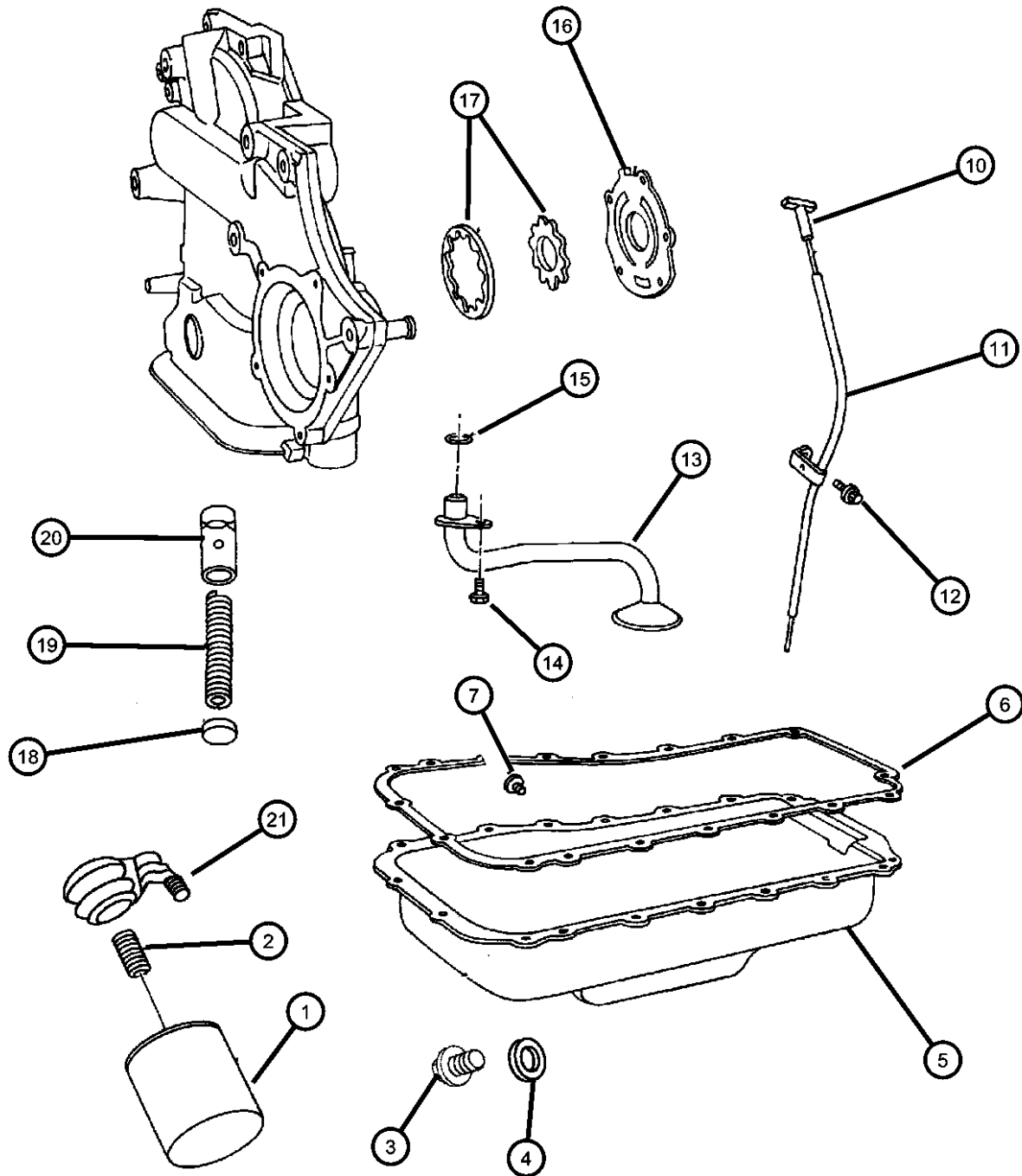
ITEM	PART NUMBER	QTY	LINE	SERIES	BODY	ENGINE	TRANS	TRIM	DESCRIPTION
------	-------------	-----	------	--------	------	--------	-------	------	-------------

NOTE:
Sales Codes:
EGA=3.3L V-6 MPI
DGL=4 Speed Automatic Transmission

1	04796001	1				EGA			COVER PACKAGE, Engine Timing
-2	06500070	1				EGA			SCREW AND WASHER, Hex Head, M8x1.25x25
-3	06101614	8				EGA			SCREW AND WASHER, Hex Head, M8x1.25x45
4	04740275	1				EGA			CHAIN PACKAGE, Timing
5	06101062	1				EGA			SCREW AND WASHER, Hex Head, M10x1.5x40
6	04778707	1				EGA			SPROCKET PACKAGE, Camshaft
-7	06100902	1				EGA			DOWEL, M6x14
8	06101010	2				EGA			BOLT AND WASHER, M6x12
9	04621623	1				EGA			PLATE, Camshaft Thrust
10	04448557	1				EGA			DOWEL, Crankshaft Sprocket
11	06100276	3				EGA			BOLT AND WASHER, M6x12
12	04448154	1				EGA			GEAR, Crankshaft
13	04273275	1				EGA			SEAL, Front Main Crankshaft
14	04621958	1				EGA			GASKET, Chain Case Cover
15	04483444	1				EGA			O RING, Front Cover Oil Inlet
16	04483443	2				EGA			GASKET, Timing Cover

AR = use ase required - = Non illustrated part

**Engine Oiling (EGA)
Figure 3.3L6T-710**



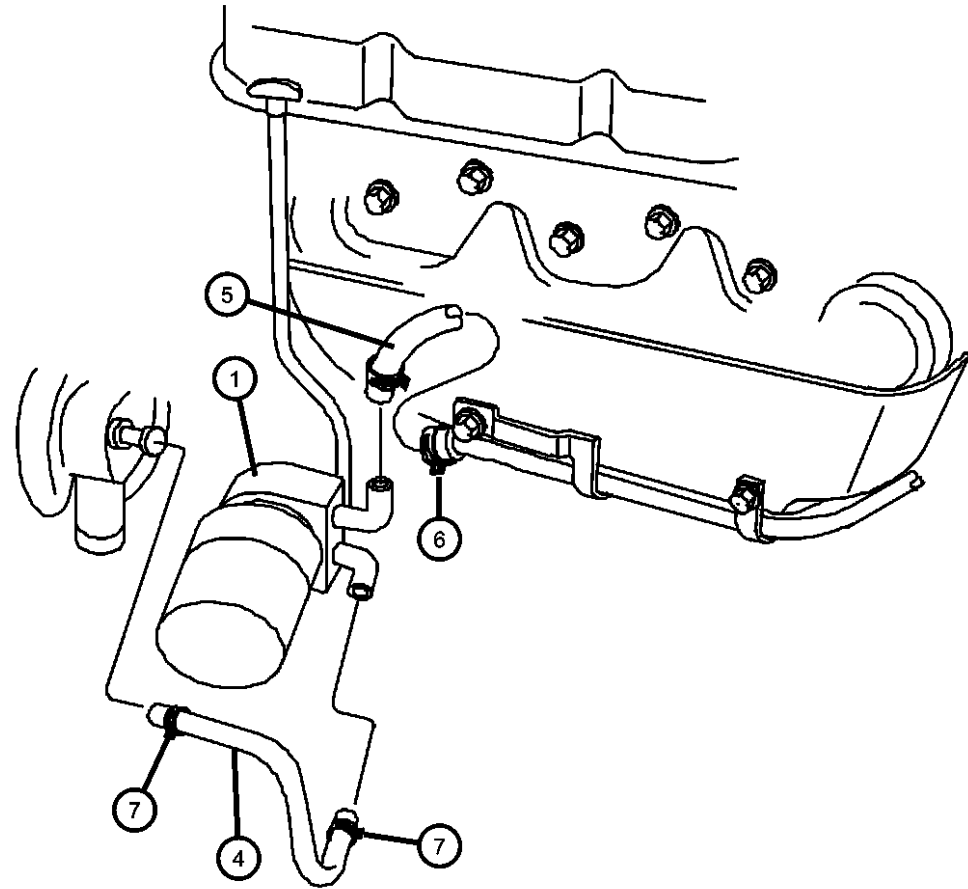
NOTE:
Sales Codes:
EGA=3.3L V-6 MPI
DGL=4 Speed Automatic Transmission

ITEM	PART NUMBER	QTY	LINE	SERIES	BODY	ENGINE	TRANS	TRIM	DESCRIPTION
1	05281090 0FE00292 05281090BA 77060018 P5007323	1				EGA			FILTER, Engine Oil Canadian Aftermarket Part BULK PACK (12) Performance Mobil 1, 15W - 50 Tri-Synthetic Engine Oil- Recommended Fill for 6.1L & 8.3L Performance Mobil 1, 5W - 30 Tri-Synthetic Engine Oil, Quart
2	04104511	1				EGA			ADAPTER, Oil Filter
3	06035417	1				EGA			PLUG, Oil Drain
4	06032145	1	C						GASKET, Drain Plug
5	04621168	1				EGA			PAN, Engine Oil
6	05241062	1				EGA			GASKET PACKAGE, Engine Oil Pan
7	06504884AA	16	C, Y, Z			EGA			SCREW AND WASHER, Hex Head, M6x1x17
-8	06500274	2				EGA			LOCK NUT, M6x1.0x6
-9	06504364	2				EGA			STUD, M6x1.00x32
10	04694325	1				EGA			INDICATOR, Engine Oil Level
11	04694326	1				EGA			TUBE, Oil Filler
12	06101452	1				EGA			SCREW AND WASHER, Hex Head, M8x1.25x20
13	04448895	1				EGA			PICKUP, Engine Oil
14	06500070	1				EGA			SCREW AND WASHER, Hex Head, M8x1.25x25
15	06032920	1				EGA			SEAL, Oil Pick Up Tube
16	04483603	1				EGA			COVER, Engine Oil Pump
17	04728396	1				EGA			ROTOR SET, Oil Pump
18	02806273	1				EGA			CAP, Oil Pressure Relief Valve
19	02402473	1				EGA			SPRING, Oil Pressure Relief Valve
20	02843208	1				EGA			PLUNGER, Oil Pressure Relief Valve
21	04694338	1				EGA, EGH			COOLER, Engine Oil
-22	04387822	1				EGA, EGH			FITTING, Engine Oil Cooler

AR = use ase required - = Non illustrated part

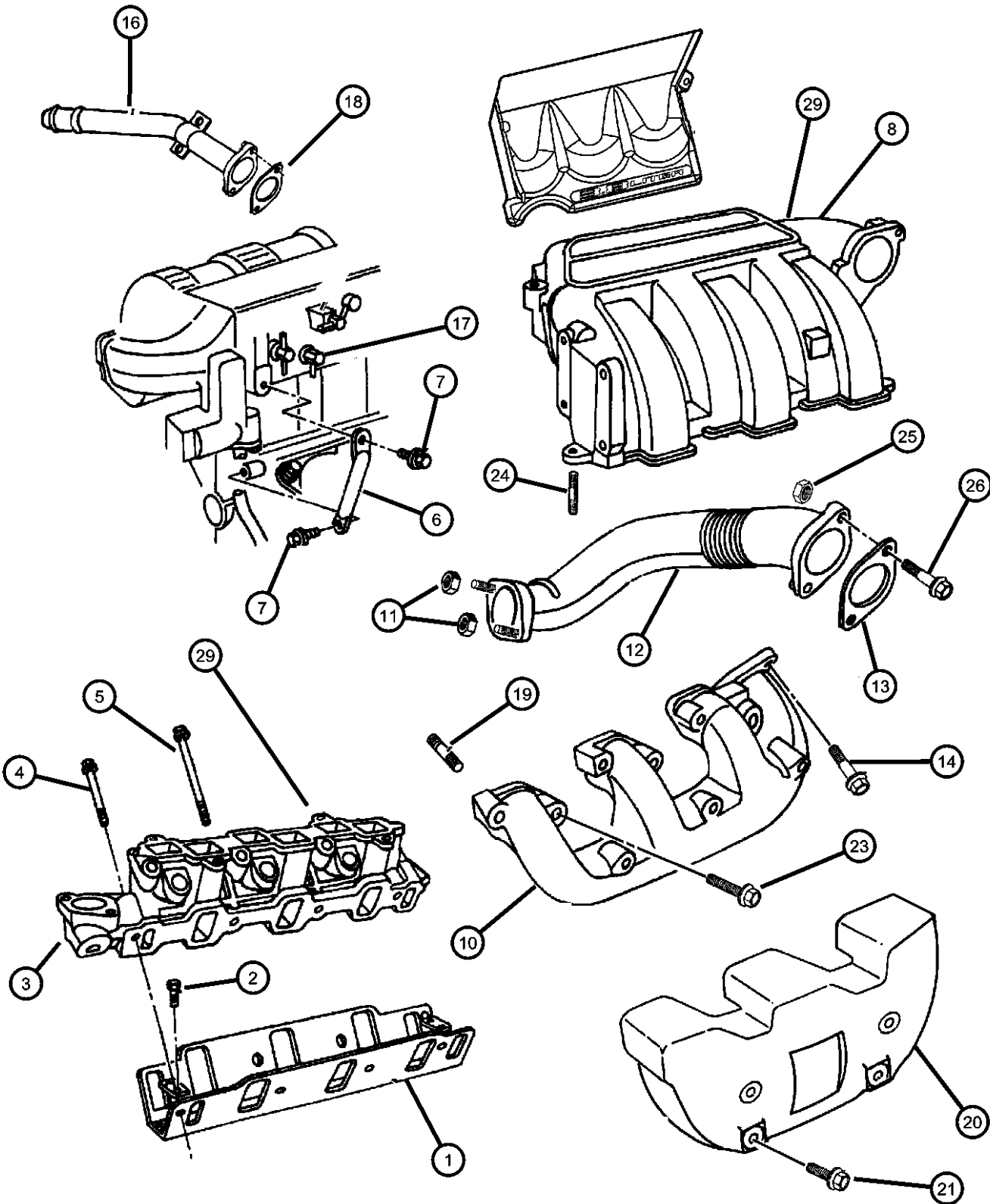
**Engine Oil Cooler [EGA]
Figure 3.3L6T-720**

ITEM	PART NUMBER	QTY	LINE	SERIES	BODY	ENGINE	TRANS	TRIM	DESCRIPTION
1	04694338	1				EGA, EGH			COOLER, Engine Oil
-2	04387822	1				EGA, EGH			FITTING, Engine Oil Cooler
-3	04740294	1				EGA, EGH			O RING, Oil Cooler
4	04677380	1	C, Y			EGA, EGH			HOSE, Engine Oil Cooler
5	04677371	1				EGA, EGH			HOSE, Oil Cooler To Pump
6	06503422	2	C, Y			EGA, EGH			CLAMP, Supply Hose, 26 mm Diameter
7	06502017	2				EGA, EGH			CLAMP, Hose, 24X15



AR = use ase required - = Non illustrated part

Manifolds, Intake and Exhaust (EGA)
Figure 3.3L6T-810



ITEM	PART NUMBER	QTY	LINE	SERIES	BODY	ENGINE	TRANS	TRIM	DESCRIPTION
------	-------------	-----	------	--------	------	--------	-------	------	-------------

NOTE:
 Sales Codes:
 EGA=3.3L V-6 MPI
 DGL=4 Speed Automatic Transmission

1	04694348	1				EGA			GASKET, Intake Manifold
2	06101010	2				EGA			BOLT AND WASHER, M6x12
3	04694319	1				EGA			MANIFOLD, Intake
4	06501993	2				EGA			SCREW AND WASHER, Hex Flange Head, M8x1.25x70
5	06502258	2				EGA			BOLT
6	04621703	1				EGA			STRUT, Support to Cylinder Head
7	06500158	1				EG0			SCREW AND WASHER, Hex Head, M10x1.5x25
8	04897694AA	1	C, Y, Z			EGA			MANIFOLD PACKAGE, Intake
-9	04621966	1				EGA			GASKET, Intake Manifold
10									MANIFOLD, Exhaust
	04448009	1				EGA			Left
	04621662	1				EGA			Right
11	06100219	1				EGA			NUT, Hex Jam, M10x1.5
12	04621702	1				EGA			CROSSOVER
13	04448149	2				EGA			GASKET, Crossover Pipe
14	06502279	2				EGA			SCREW AND WASHER, M10x1.5x45
-15	06101503	3				EGA, EGH			SCREW AND WASHER, Hex Head, M10x1.5x25
16	04448851	1				EGA			TUBE, Heater Hose
17	04612745	1				EGA			CONNECTOR, Vacuum Hose, With Cap
18	04621967	1				EGA			GASKET, Intake Manifold
19	06503876	1				EGA			STUD, M10-1.50/M8-1.25x107
20									SHIELD, Exhaust Manifold
	04694117	1				EGA			Right
	04694129	1				EGA, EGH			Left
21	06502280	2				EGA, EGH			SCREW AND WASHER, Hex Head Special Point, M8x1.25x17
-22	06100233	1				EGA			WASHER
23	06100929	11				EGA			BOLT, Hex Flange Head, M8x1.25x45
24	06504275	2				EGA			STUD, Intake Manifold
25	06504127	1				EGA			NUT, Exhaust Manifold
26	06101503	1				EGA, EGH			SCREW AND WASHER, Hex Head, M10x1.5x25
-27	04621966	1				EGA			GASKET, Intake Manifold
-28	K6502257	1	C, Y, Z			EGA			SCREW AND WASHER, Hex Flange Head, M8x1.25x120
29	04897694AA	1	C, Y, Z			EGA			MANIFOLD PACKAGE, Intake

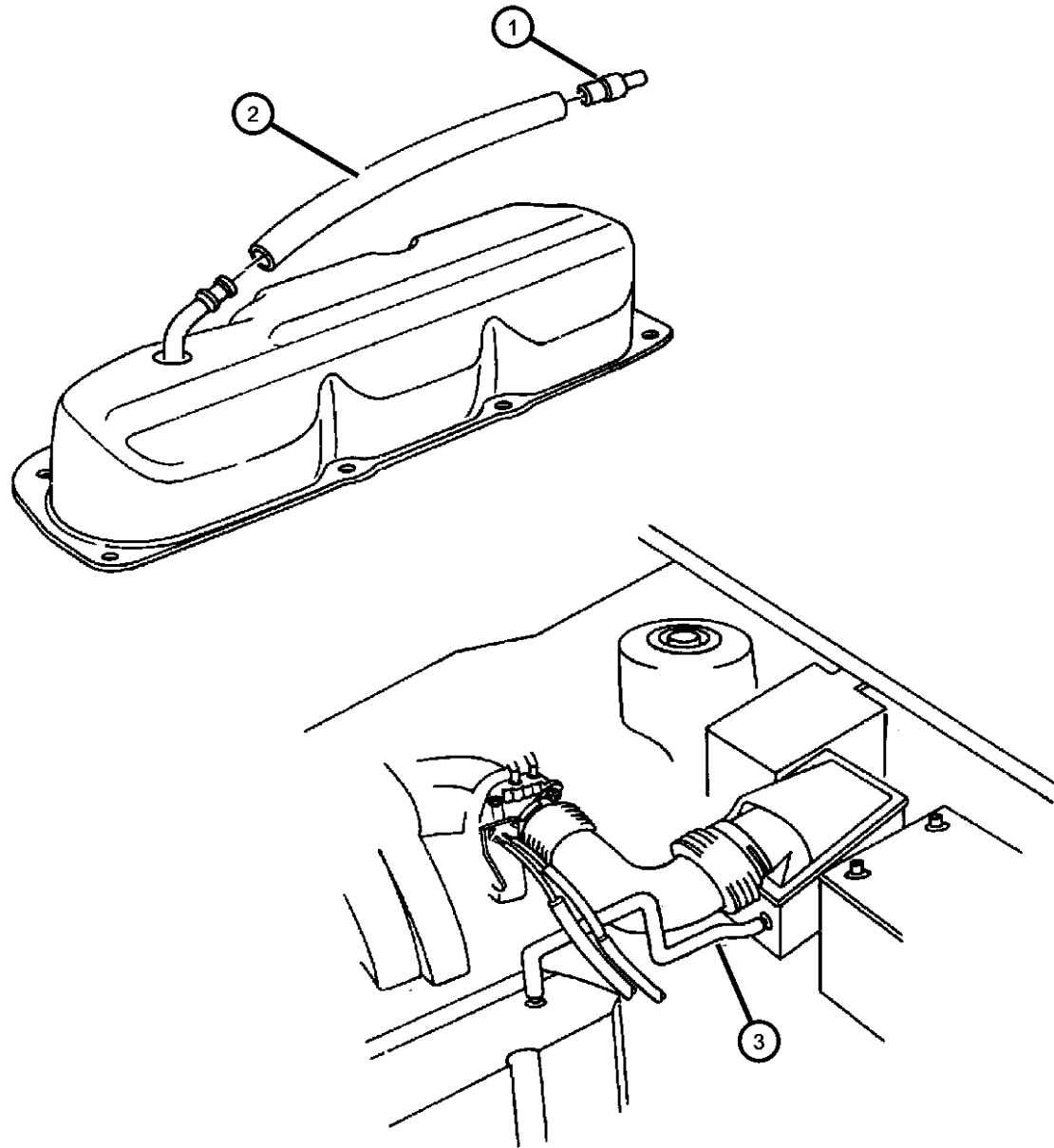
AR = use ase required - = Non illustrated part

**Crankcase Ventilation (EGA)
Figure 3.3L6T-910**

ITEM	PART NUMBER	QTY	LINE	SERIES	BODY	ENGINE	TRANS	TRIM	DESCRIPTION
------	-------------	-----	------	--------	------	--------	-------	------	-------------

NOTE:
Sales Codes:
EGA=3.3L V-6 MPI
DGL=4 Speed Automatic Transmission

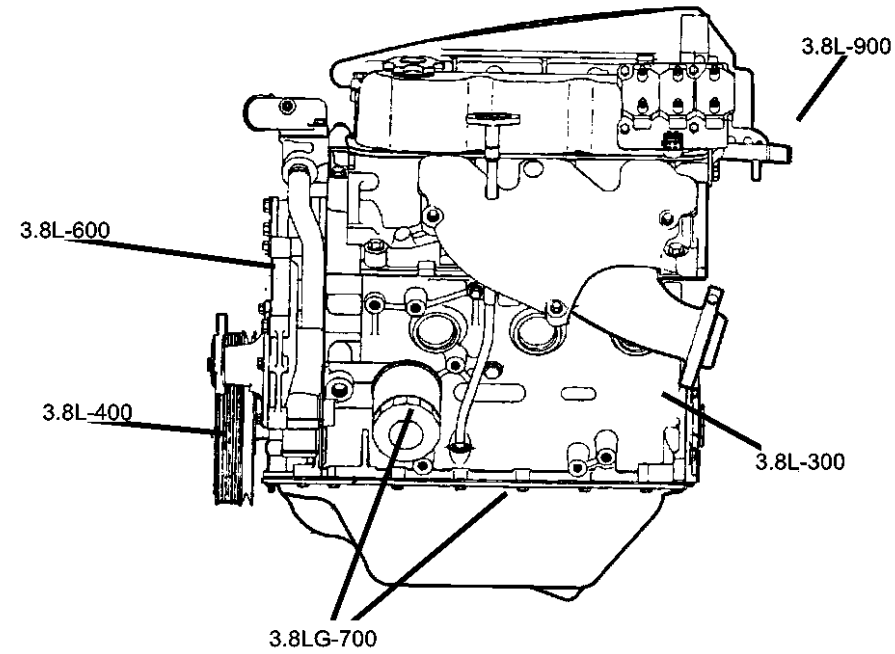
1	03671076	1				EGA			VALVE, PCV
2	04621717	1				EGA			HOSE, Cylinder Head Cover To Crankcase
3	04694646	1				EGA, EGH			HOSE, Crankcase Vent



AR = use ase required - = Non illustrated part

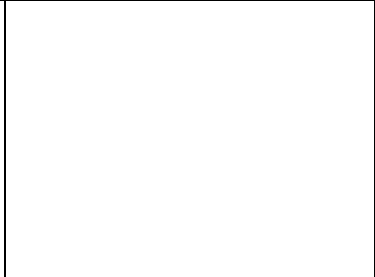
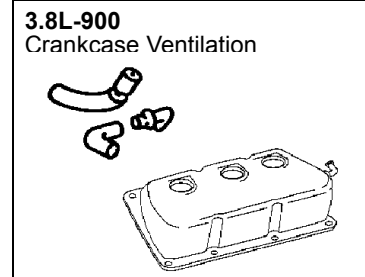
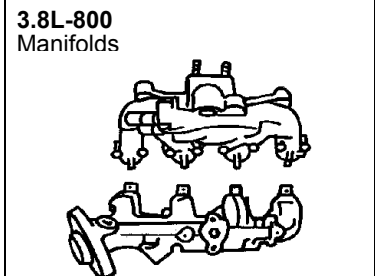
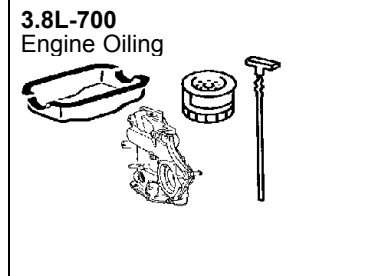
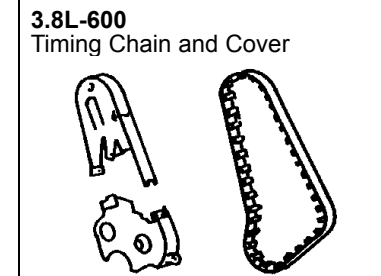
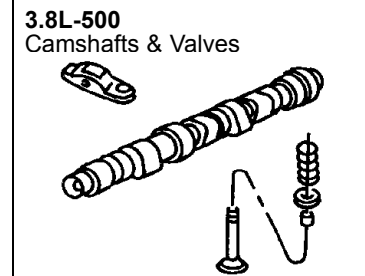
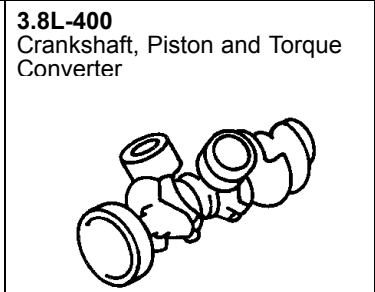
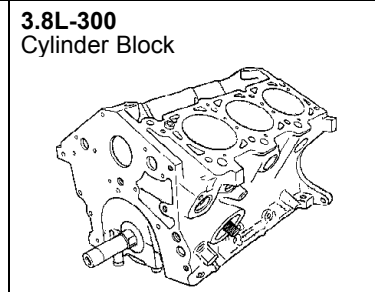
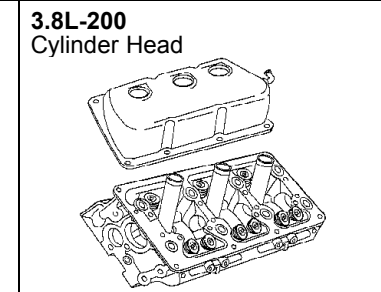
Group - 3.8L

Engine 3.8L Six Cylinder



3.8L-100
Engine Identification

X Model Year	X Manufacturing Plant	XXXXX Component Code/Usage	XXXX Month/Day	XXXXXXXX Serial Code
Last digit of model year	Sattilo S Trenton T Tokyo K	Engine 3.2L - 3.8L Usage Pass Car PC Truck T		Last 8 Digits of VIN

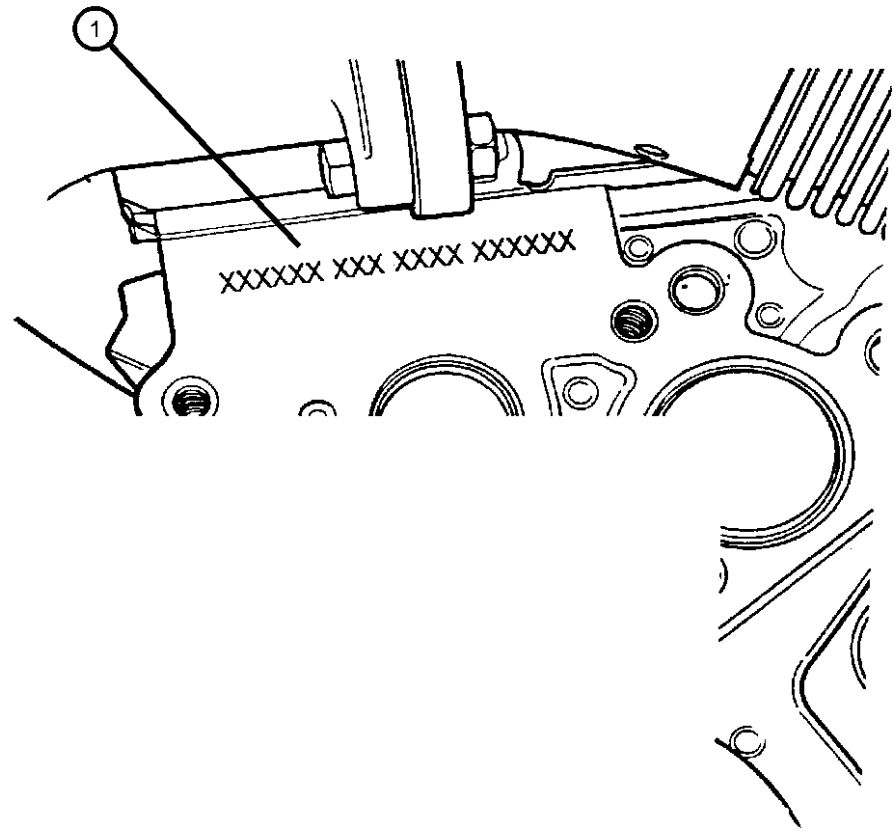


Group - 3.8L Engine 3.8L Six Cylinder

Illustration Title	Group-Fig. No.
Engine Identification	
I. D. Location (EGH)	Fig. 3.8L - 110
Cylinder Head	
Cylinder Head (EGH)	Fig. 3.8L - 210
Cylinder Block	
Cylinder Block (EGH)	Fig. 3.8L - 310
Crankshaft, Piston and Torque Converter	
Crankshaft, Piston, Torque Converter (EGH)	Fig. 3.8L - 410
Camshafts & Valves	
Camshaft and Valves (EGH)	Fig. 3.8L - 510
Timing Chain and Cover	
Timing Chain and Cover (EGH).....	Fig. 3.8L - 610
Engine Oiling	
Engine Oiling (EGH)	Fig. 3.8L - 710
Engine Oil Cooler [EGH].....	Fig. 3.8L - 720
Manifolds	
Manifolds, Intake and Exhaust (EGH)	Fig. 3.8L - 810
Crankcase Ventilation	
Crankcase Ventilation (EGH).....	Fig. 3.8L - 910

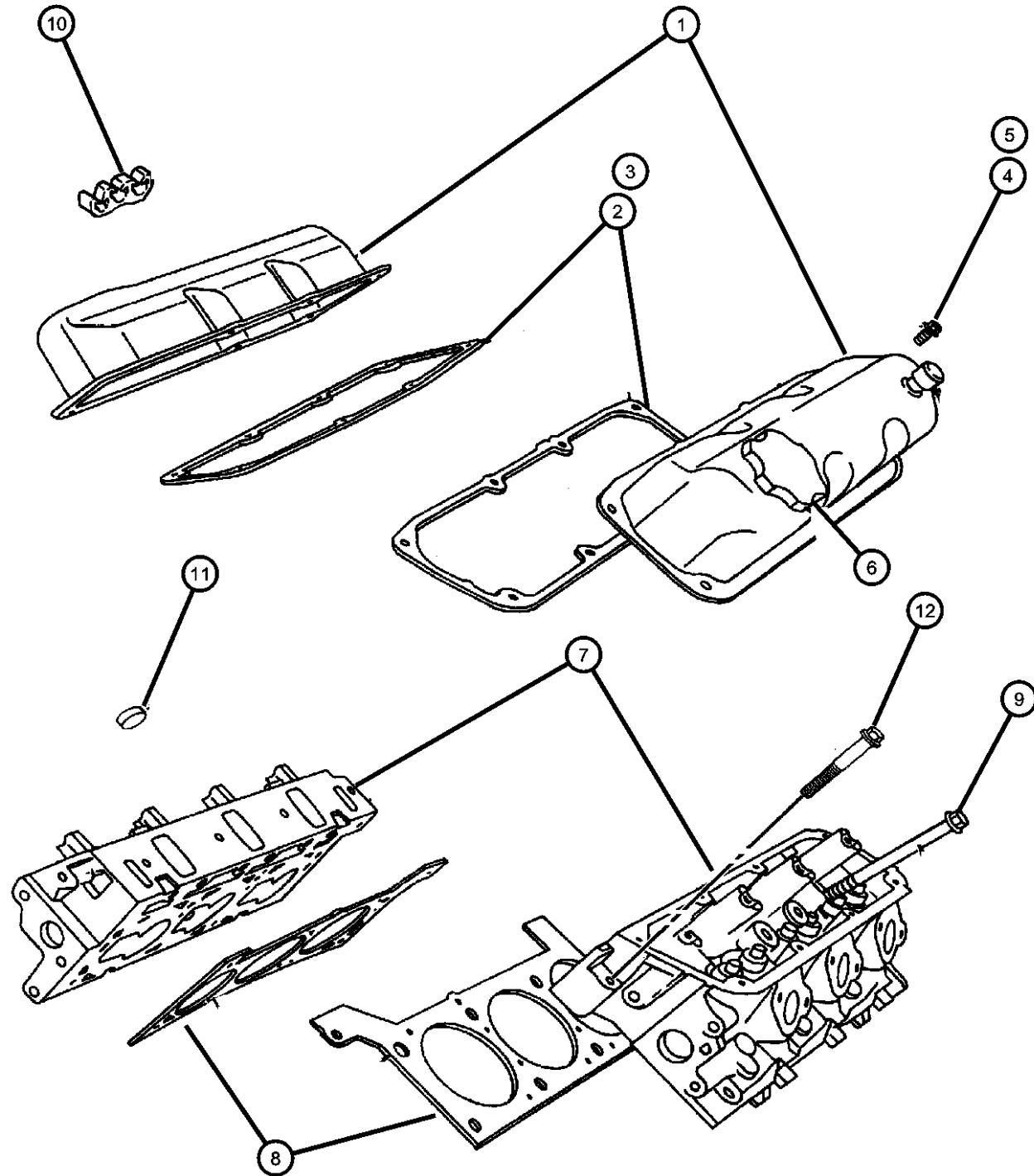
I. D. Location (EGH)
Figure 3.8L-110

ITEM	PART NUMBER	QTY	LINE	SERIES	BODY	ENGINE	TRANS	TRIM	DESCRIPTION
1	04694646	1							LABEL, Engine Identification, (NOT SERVICED)



AR = use ase required - = Non illustrated part

**Cylinder Head (EGH)
Figure 3.8L-210**

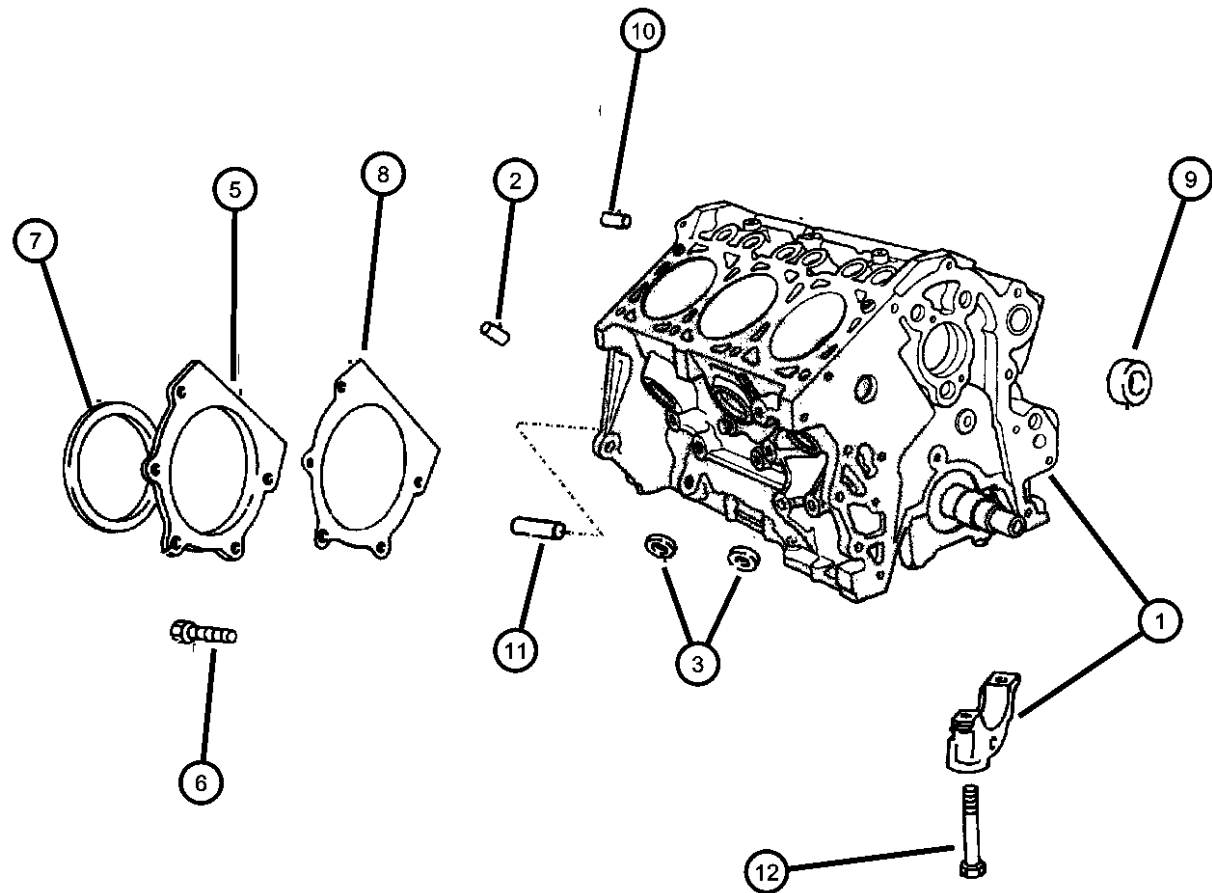


ITEM	PART NUMBER	QTY	LINE	SERIES	BODY	ENGINE	TRANS	TRIM	DESCRIPTION
NOTE: Sales Codes: EGH=3.8L V-6 MPI DGL=4 Speed Automatic Transmission									
1									COVER, Cylinder Head
	04448867	1				EGH			Left
	04621860	1				EGH			Right
2	04448007	2				EGH			GASKET, Valve Cover
3	04448007	2							GASKET, Cylinder Cover, (NOT REQUIRED)
4	06502343	16				EGH			SCREW AND WASHER, Hex Head, M6x1x17
5	06502343	16							LIMITER, Compression, Cylinder Head Cover, (NOT REQUIRED)
6	53020555	1				EGH			CAP, Oil Filler
7	04882220	2				EGH			HEAD, Cylinder
	R5633436								Mopar Remanufactured Part
8									GASKET, Cylinder Head
	04448949	1				EGH			Left
	04448950	1				EGH			Right
9	06504060	16				EGH			BOLT, Cylinder Head
10									BRACKET, Ignition Wire Separator
	04686155	1				EGH			
	05234507	1				EGH			Ignition Cable
11	04556020	4				EGH			PLUG, Core, 1.25 Diameter
12	06101631	2				EGH			SCREW AND WASHER, Hex Head, M8x1.25x65
-13	04882160	1				EGH			GASKET PACKAGE, Engine Upper
-14	00444650	1				EGH			PLUG, Pipe
-15	04694373	1				EGH			LABEL, Engine Identification

AR = use ase required - = Non illustrated part

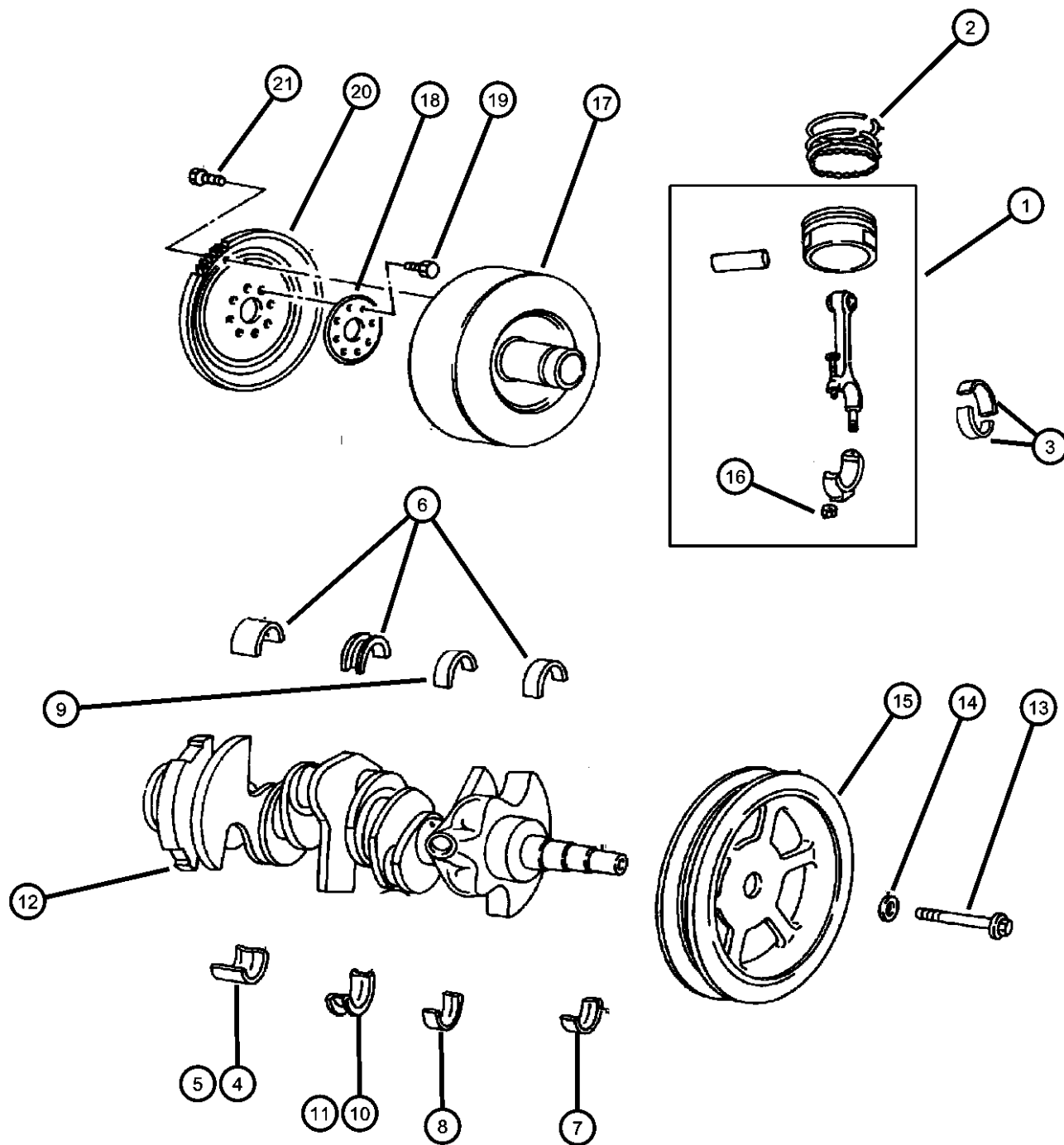
**Cylinder Block (EGH)
Figure 3.8L-310**

ITEM	PART NUMBER	QTY	LINE	SERIES	BODY	ENGINE	TRANS	TRIM	DESCRIPTION
NOTE: Sales Codes: EGH=3.8L V-6 MPI DGL=4 Speed Automatic Transmission									
1	04882150	1				EGH			BLOCK, Short
	R0638466								Mopar Reman Long Block 1996-97 3.8L(EGH)
	R0638435								Mopar Reman Long Block 1993 1/2-1995 3.8L(EGH)casting #04621510
	R0638413								Mopar Reman Long Block 1991-93 1/2 3.8L(EGH) casting #04448015
2	04694104	1				EGH			DOWEL, Block To Cylinder Head
3	04556022	8				EGH			PLUG, Core, 1.625 Diameter
-4	04556023	AR				EGA, EGH			PLUG, Core, 1.695 Diameter
5	04654389	1				EGH			RETAINER, Crankshaft Rear Oil Seal
6	06101278	5				EGH			BOLT AND WASHER, M6x12
7	04621939	1				EGH			SEAL, Rear Main Crankshaft
8	04621965	1				EGH			GASKET, Rear Oil Seal Retainer
9									PLUG, Cylinder Block Oil Hole
	04556019	AR				EGA, EGH			.065
	04556222	2				EGH			
10	05240849	2				EDZ			DOWEL, Block To Clutch Housing
11	05203466	1				EGH			PIN, Dowel
12	06503201	8				EGH			BOLT, Main Bearing Cap
-13	04778037	1				EGH			GASKET PACKAGE, Engine Lower



AR = use ase required - = Non illustrated part

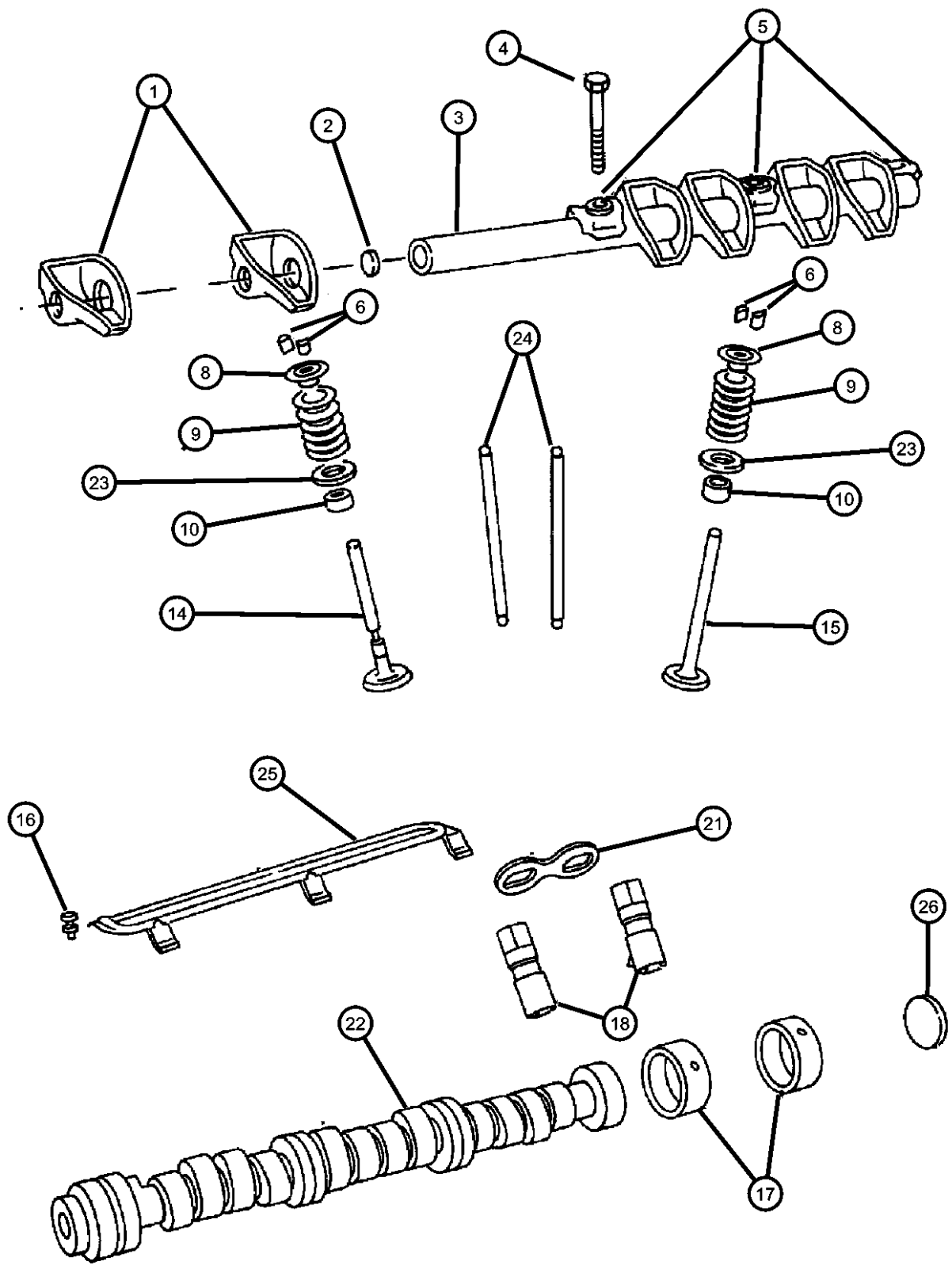
**Crankshaft, Piston, Torque Converter (EGH)
Figure 3.8L-410**



ITEM	PART NUMBER	QTY	LINE	SERIES	BODY	ENGINE	TRANS	TRIM	DESCRIPTION
NOTE: Sales Codes: EGH=3.8L V-6 MPI DGL=4 Speed Automatic Transmission									
1	04797692	6				EGH			PISTON PIN AND ROD
2	04626388	1				EGH			PISTON RING SET, COMPLETE ENGINE, STD.
3	04798498	1				EGH			BEARING PACKAGE, Connecting Rod, Standard, Standard
4	04798499	1				EGH			BEARING PACKAGE, Connecting Rod, .025mm Undersize, .025mm
5	04798501	1				EGH			BEARING PACKAGE, Connecting Rod, .25mm Undersize, .25mm
6	04798509	1				EGH			BEARING PACKAGE, Crankshaft, Standard Size, Standard
7	04798504	1				EGH			BEARING PACKAGE, Crankshaft, .025mm Undersize, .025mm
8	04798506	1				EGH			BEARING PACKAGE, Crankshaft, .25mm Undersize
9	04728222	1				EGH			BEARING PACKAGE, Crankshaft, Standard, Standard
10	04728223	1				EGH			BEARING PACKAGE, Crankshaft, .025mm Undersize, .025mm
11	04728224	1				EGH			BEARING PACKAGE, Crankshaft, .25 mm Undersize
12	04483699	1				EGH			CRANKSHAFT
13	06502976	1				EGH			SCREW, Hex Flange Head, M10x1.5x61
14	06500431	1				EGH			WASHER
15	04448886	1				EGH			DAMPER, Crankshaft
16	04227678	12				EGH			NUT, Hex, .375-24
17	04797476	1				EGA, EGH			CONVERTER PACKAGE, Torque Mopar Remanufactured Part
18	04471933	1					DGL		PLATE, Drive Plate Backing
19	06503465	8							BOLT, Drive Plate and Flywheel
20	04736130	1				EGA, EGH			PLATE, Drive Plate
21	06501099	4					DGL		BOLT, Hex Head, M10x1.50 x 13.20
-22	05222629	1				EGA, EGH			SEAL, Torque Converter Hub

AR = use ase required - = Non illustrated part

**Camshaft and Valves (EGH)
Figure 3.8L-510**



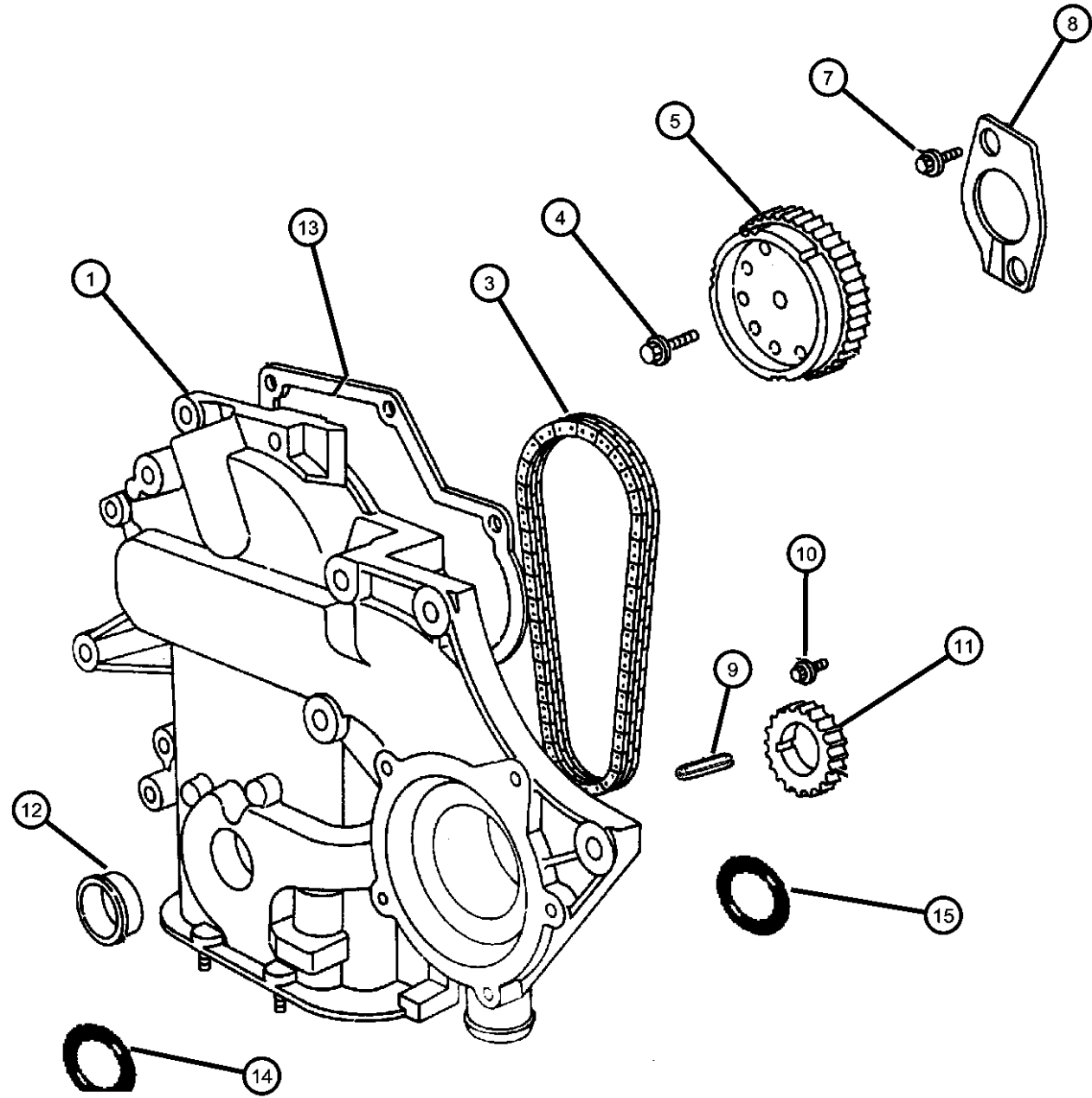
ITEM	PART NUMBER	QTY	LINE	SERIES	BODY	ENGINE	TRANS	TRIM	DESCRIPTION
------	-------------	-----	------	--------	------	--------	-------	------	-------------

NOTE:
Sales Codes:
EGH=3.8L V-6 MPI
DGL=4 Speed Automatic Transmission

1	04483725	12				EGH			ROCKER ARM, Valve
2	01324268	4				EGH			PLUG, Rocker Shaft
3	04448152	2				EGH			SHAFT, Rocker Arm
4	06100174	8				EGH			BOLT, Hex Flange Head, M8x65
5	02463322	8				EGH			RETAINER, Valve Rocker Shaft
6	04448075	12				EGH			LOCK, Valve Spring Retainer, Intake
-7	05203577	12				EGH			LOCK, Valve Spring Retainer, Exhaust
8	04483745	12				EGH			RETAINER, Valve Spring
9	04483859	12				EGH			SPRING, Valve
10	04201332	12				EGH			SEAL, Valve Guide, Standard
-11	04105366	1				EGH			SEAL, Valve Guide, .015" Oversize
-12	04105367	1				EGH			SEAL, Valve Guide, 0.40mm Oversize
-13	04105368	1				EGH			SEAL, Valve Guide, 0.80mm Oversize
14									VALVE, Intake, Standard
	04448052	6				EGH			Standard
	04448053	1				EGH			.15mm
	04448054	1				EGH			.40mm
	04448055	1				EGH			.80mm
15									VALVE, Exhaust, Standard
	04621116	6				EGH			Standard
	04621117	1				EGH			.15mm
	04621118	1				EGH			.40mm
	04621119	1				EGH			.80mm
16	06500136	2				EGH			SCREW AND WASHER, Hex Head, M6x1x14
17	06500136	2							BEARING, Camshaft, Serviced in Short Engine, (NOT SERVICED)
18	04621938	12				EGH			TAPPET, Valve
-19	04762578	1				EGH			TAPPET, Valve, .001 Oversize
-20	04762579	1				EGH			TAPPET, Valve, .008 Oversize
21	04448078	6				EGH			YOKE, Tappet Aligning
22	04621685	1				EGH			CAMSHAFT, Engine
23	05203474	12				EGH			SEAT, Valve Spring
24	04448050	12				EGH			PUSH ROD, FRONT SUSPENSION
25	04448933	1				EGH			RETAINER, Tappet Yoke Aligning
26	04483620	1				EGH			PLUG, Camshaft

AR = use ase required - = Non illustrated part

Timing Chain and Cover (EGH)
Figure 3.8L-610



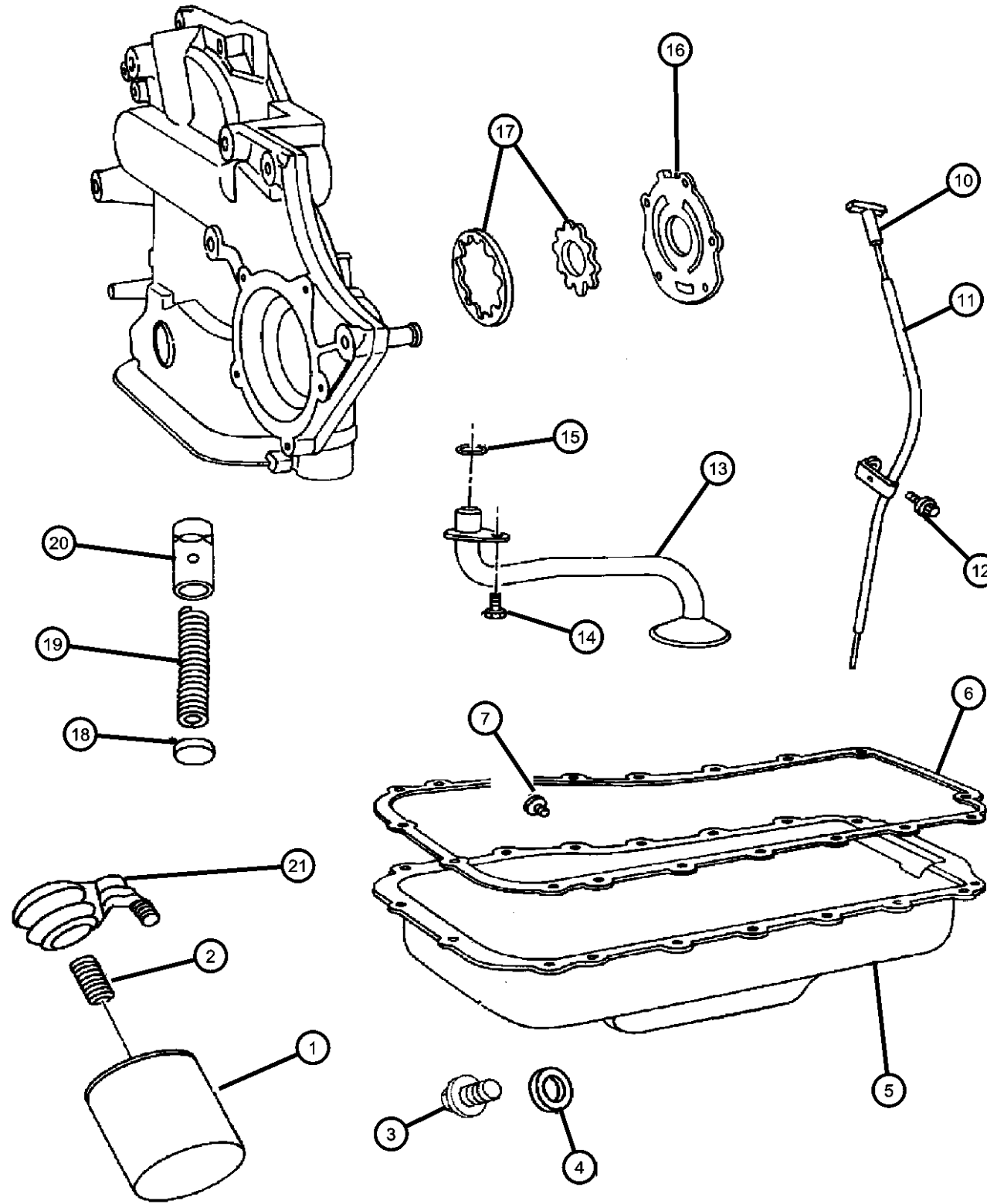
ITEM	PART NUMBER	QTY	LINE	SERIES	BODY	ENGINE	TRANS	TRIM	DESCRIPTION
------	-------------	-----	------	--------	------	--------	-------	------	-------------

NOTE:
Sales Codes:
EGH=3.8L V-6 MPI
DGL=4 Speed Automatic Transmission

1	04796001	1				EGH			COVER PACKAGE, Engine Timing
-2	06101614	8				EGH			SCREW AND WASHER, Hex Head, M8x1.25x45
3	04740275	1				EGH			CHAIN PACKAGE, Timing
4	06101062	1				EGH			SCREW AND WASHER, Hex Head, M10x1.5x40
5	04778707	1				EGH			SPROCKET PACKAGE, Camshaft
-6	06100902	1				EGH	DGL		DOWEL, M6x14
7	06101010	2				EGH			BOLT AND WASHER, M6x12
8	04621623	1				EGH			PLATE, Camshaft Thrust
9	04448557	1				EGH			DOWEL, Crankshaft Sprocket
10	06100276	3				EGH			BOLT AND WASHER, M6x12
11	04448154	1				EGH			GEAR, Crankshaft
12	04273275	1				EGH			SEAL, Front Main Crankshaft
13	04621958	1				EGH			GASKET, Chain Case Cover
14	04483444	1				EGH			O RING, Front Cover Oil Inlet
15	04483443	2				EGH			GASKET, Timing Cover

AR = use ase required - = Non illustrated part

**Engine Oiling (EGH)
Figure 3.8L-710**



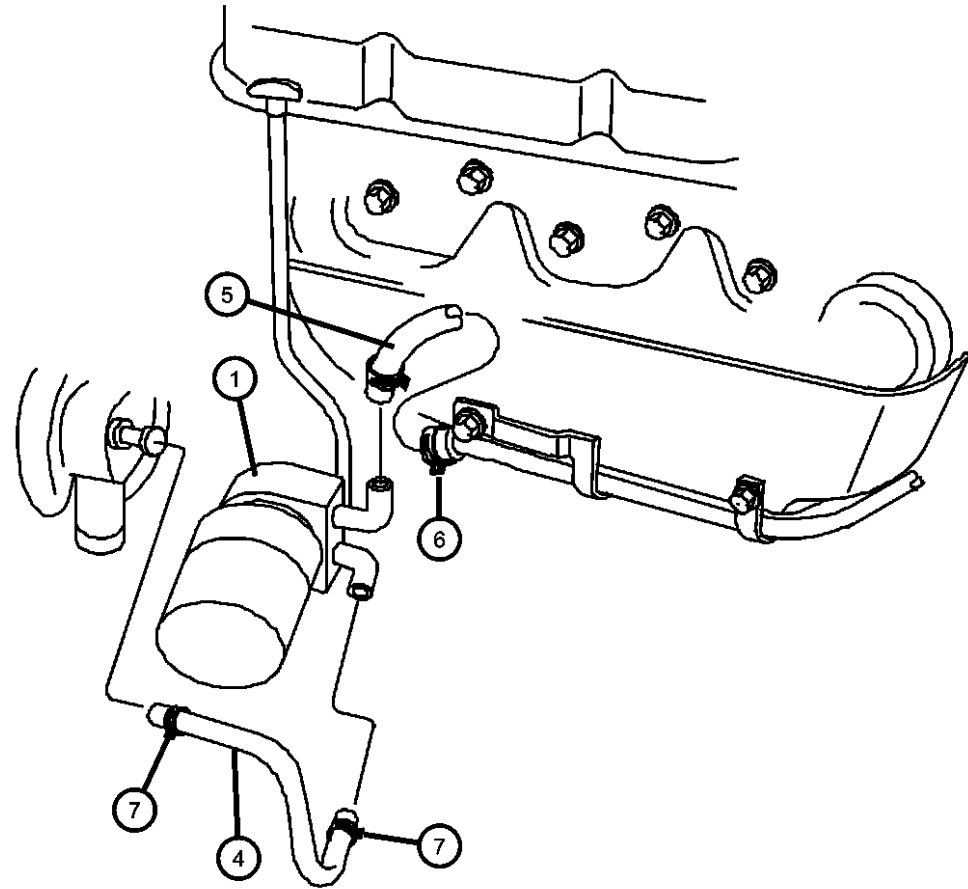
NOTE:
Sales Codes:
EGH=3.8L V-6 MPI
DGL=4 Speed Automatic Transmission

ITEM	PART NUMBER	QTY	LINE	SERIES	BODY	ENGINE	TRANS	TRIM	DESCRIPTION
1	05281090 0FE00292 05281090BA 77060018 P5007323	1				EGH			FILTER, Engine Oil Canadian Aftermarket Part BULK PACK (12) Performance Mobil 1, 15W - 50 Tri-Synthetic Engine Oil- Recommended Fill for 6.1L & 8.3L Performance Mobil 1, 5W - 30 Tri-Synthetic Engine Oil, Quart
2	04104511	1				EGH			ADAPTER, Oil Filter
3	04104511	1							PLUG, Oil Drain, (NOT SERVICED)
4	06032145	1	C						GASKET, Drain Plug
5	04621168	1				EGH			PAN, Engine Oil
6	05241062	1				EGH			GASKET PACKAGE, Engine Oil Pan
7	06502343	16				EGH			SCREW AND WASHER, Hex Head, M6x1x17
-8	06500274	2				EGH			LOCK NUT, M6x1.0x6
-9	06504364	2				EGH			STUD, M6x1.00x32
10	04694325	1				EGH			INDICATOR, Engine Oil Level
11	04694326	1				EGH			TUBE, Oil Filler
12	06101452	1				EGH			SCREW AND WASHER, Hex Head, M8x1.25x20
13	04448895	1				EGH			PICKUP, Engine Oil
14	06500070	1				EGH			SCREW AND WASHER, Hex Head, M8x1.25x25
15	06032920	1				EGH			SEAL, Oil Pick Up Tube
16	04483603	1				EGH			COVER, Engine Oil Pump
17	04728396	1				EGH			ROTOR SET, Oil Pump
18	02806273	1				EGH			CAP, Oil Pressure Relief Valve
19	02402473	1				EGH			SPRING, Oil Pressure Relief Valve
20	02843208	1				EGH			PLUNGER, Oil Pressure Relief Valve
21	04694338	1				EGA, EGH			COOLER, Engine Oil
-22	04387822	1				EGA, EGH			FITTING, Engine Oil Cooler

AR = use ase required - = Non illustrated part

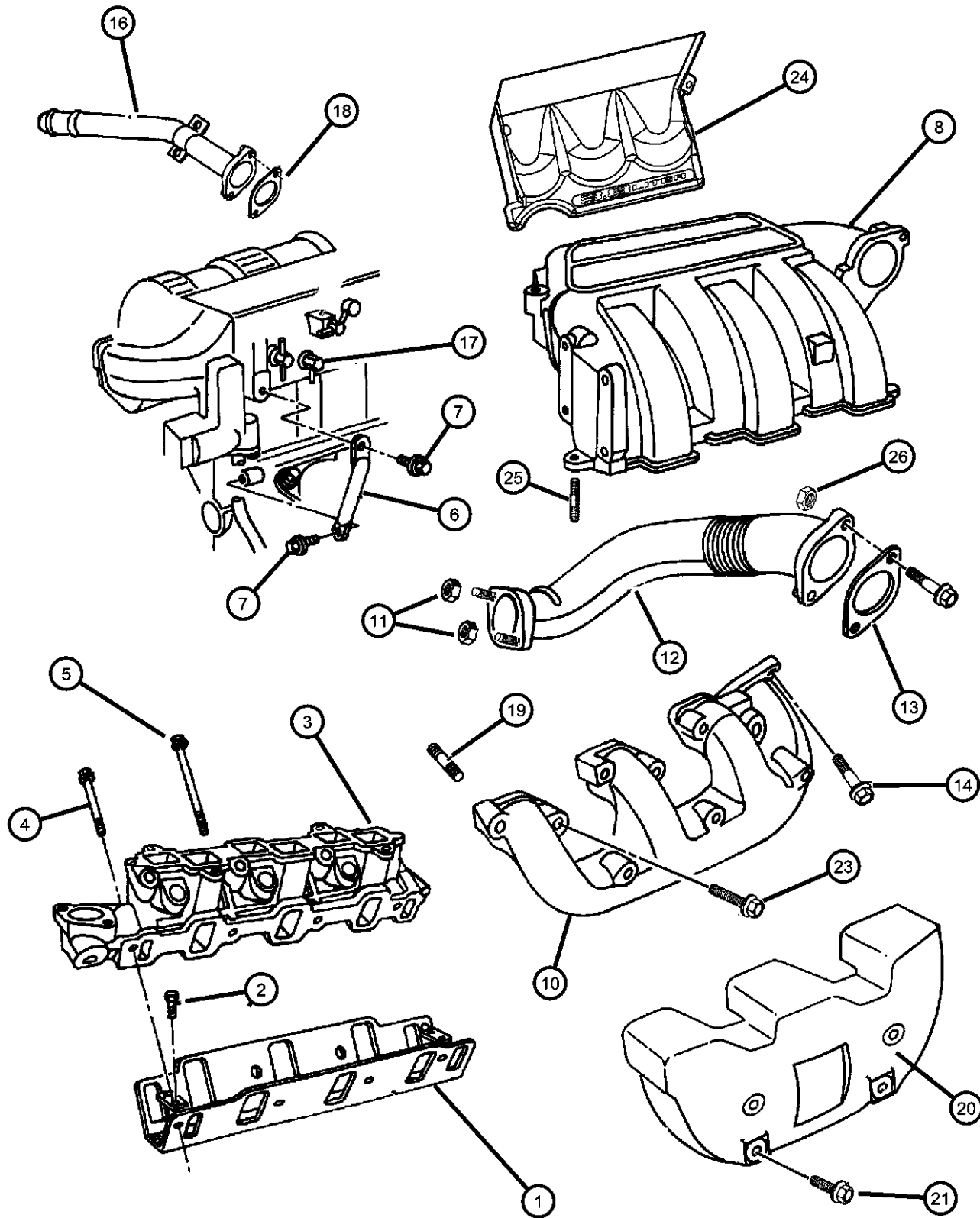
**Engine Oil Cooler [EGH]
Figure 3.8L-720**

ITEM	PART NUMBER	QTY	LINE	SERIES	BODY	ENGINE	TRANS	TRIM	DESCRIPTION
1	04694338	1				EGA, EGH			COOLER, Engine Oil
-2	04387822	1				EGA, EGH			FITTING, Engine Oil Cooler
-3	04740294	1				EGA, EGH			O RING, Oil Cooler
4	04677380	1	C, Y			EGA, EGH			HOSE, Engine Oil Cooler
5	04677371	1				EGA, EGH			HOSE, Oil Cooler To Pump
6	06503422	2	C, Y			EGA, EGH			CLAMP, Supply Hose, 26 mm Diameter
7	06502017	2				EGA, EGH			CLAMP, Hose, 24X15



AR = use ase required - = Non illustrated part

**Manifolds, Intake and Exhaust (EGH)
Figure 3.8L-810**



ITEM	PART NUMBER	QTY	LINE	SERIES	BODY	ENGINE	TRANS	TRIM	DESCRIPTION
------	-------------	-----	------	--------	------	--------	-------	------	-------------

NOTE:
Sales Codes:
EGH=3.8L V-6 MPI
DGL=4 Speed Automatic Transmission

1	04694348	1				EGH			GASKET, Intake Manifold
2	06101010	2				EGH			BOLT AND WASHER, M6x12
3	04694319	1				EGH			PLENUM, Manifold
4	06501993	2				EGH			SCREW AND WASHER, Hex Flange Head, M8x1.25x70
5	06502258	2				EGH			BOLT
6	04621703	6				EGH			STRUT, Support to Cylinder Head
7	06500158	1				EG0			SCREW AND WASHER, Hex Head, M10x1.5x25
8	04897694AA	1	C, Y, Z			EGH			MANIFOLD PACKAGE, Intake
-9	04621966	1				EGH			GASKET, Intake Manifold
10									MANIFOLD, Exhaust
	04448009	1				EGH			Left
	04621662	1				EGH			Right
11	06100219	1				EGH			NUT, Hex Jam, M10x1.5
12	04621702	1				EGH			CROSSOVER
13	04448149	2				EGH			GASKET, Crossover Pipe
14	06502279	2				EGA			SCREW AND WASHER, M10x1.5x45
-15	06500158	1				EG0			SCREW AND WASHER, Hex Head, M10x1.5x25
16	04448851	1				EGH			TUBE, Heater Hose
17	04612745	1				EGH			CONNECTOR, Vacuum Hose, With Cap
18	04621967	1				EGH			GASKET, Intake Manifold
19	06503876	1				EGH			STUD, M10-1.50/M8-1.25x107
20									SHIELD, Exhaust Manifold
	04694117	1				EGH			Right
	04694129	1				EGA, EGH			Left
21	06502280	2				EGA, EGH			SCREW AND WASHER, Hex Head Special Point, M8x1.25x17
-22	06100233	1				EGH			WASHER
23	06100929	11				EGH			BOLT, Hex Flange Head, M8x1.25x45
24	04612800	1				EGH			COVER, Intake Manifold
25	06504275	2				EGH			STUD, Intake Manifold
26	06504127	1				EGH			NUT, Exhaust Manifold
-27	04621966	1				EGH			GASKET, Intake Manifold, to Plenum
-28	K6502257	1	C, Y, Z			EGH			SCREW AND WASHER, Hex Flange Head, M8x1.25x120

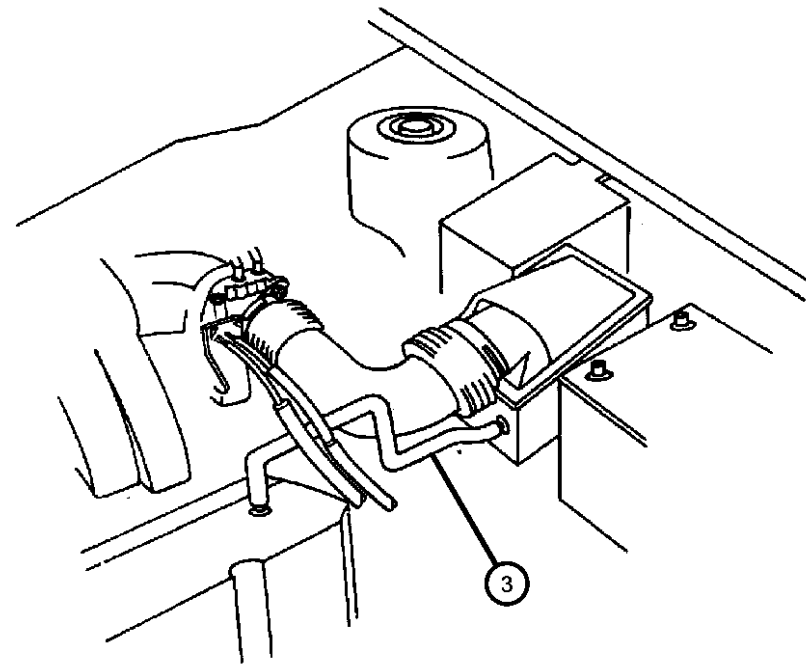
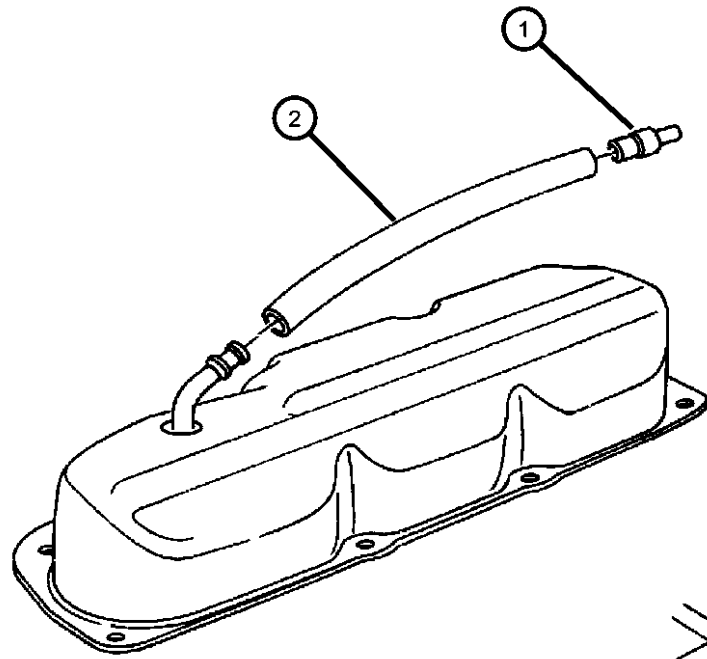
AR = use ase required - = Non illustrated part

**Crankcase Ventilation (EGH)
Figure 3.8L-910**

ITEM	PART NUMBER	QTY	LINE	SERIES	BODY	ENGINE	TRANS	TRIM	DESCRIPTION
------	-------------	-----	------	--------	------	--------	-------	------	-------------

NOTE:
Sales Codes:
EGH=3.8L V-6 MPI
DGL=4 Speed Automatic Transmission

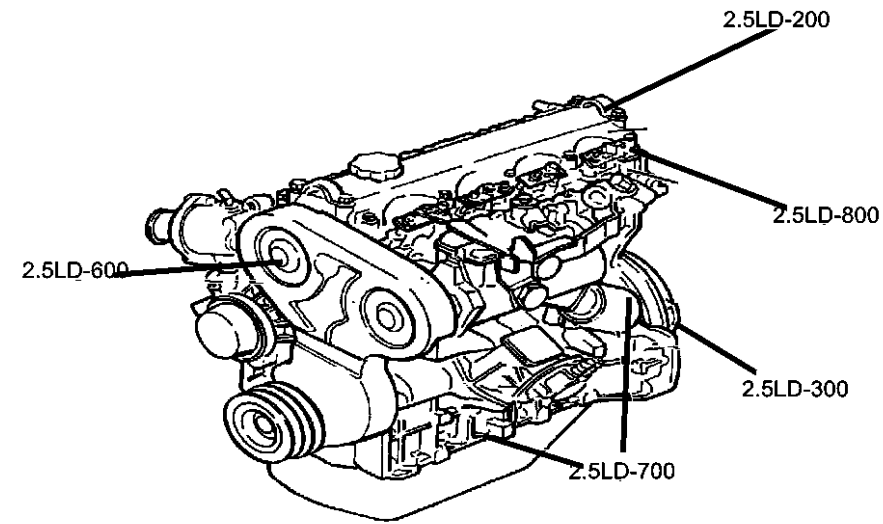
1	03671076	1				EGH			VALVE, PCV
2	04621717	1				EGH			HOSE, Cylinder Head Cover To Crankcase
3	04694646	1				EGA, EGH			HOSE, Crankcase Vent



AR = use ase required - = Non illustrated part

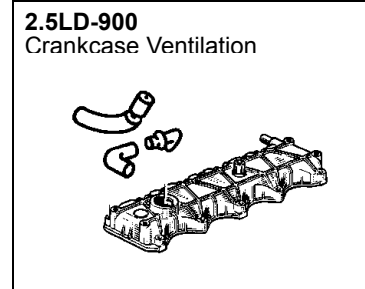
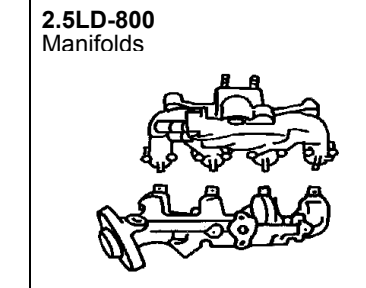
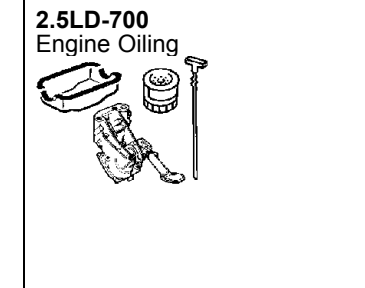
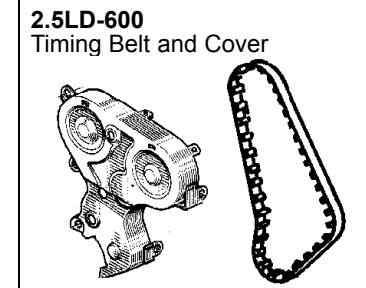
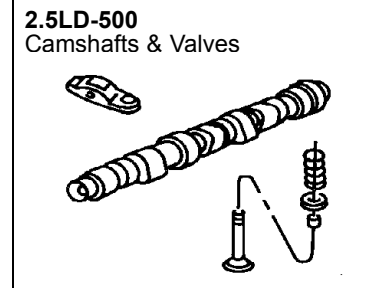
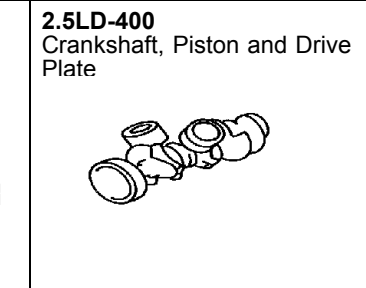
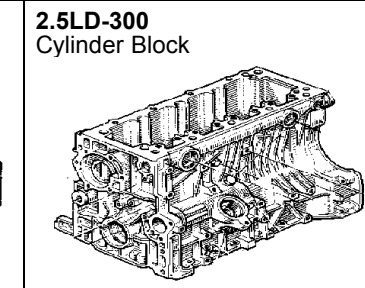
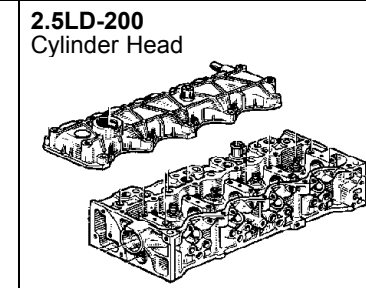
Group - 2.5LD

Engine 2.5L Four Cylinder (Turbo Diesel)



2.5LD-100
Engine Identification

X Model Year	X Manufacturing Plant	XXXXX Component Code/Usage	XXXX Month/Day	XXXXXXXX Serial Code
Last digit of model year	Sattilo S Trenton T Tokyo K	Engine 3.2L - 3.5L Usage Pass Car PC Truck T		Last 8 Digits of VIN

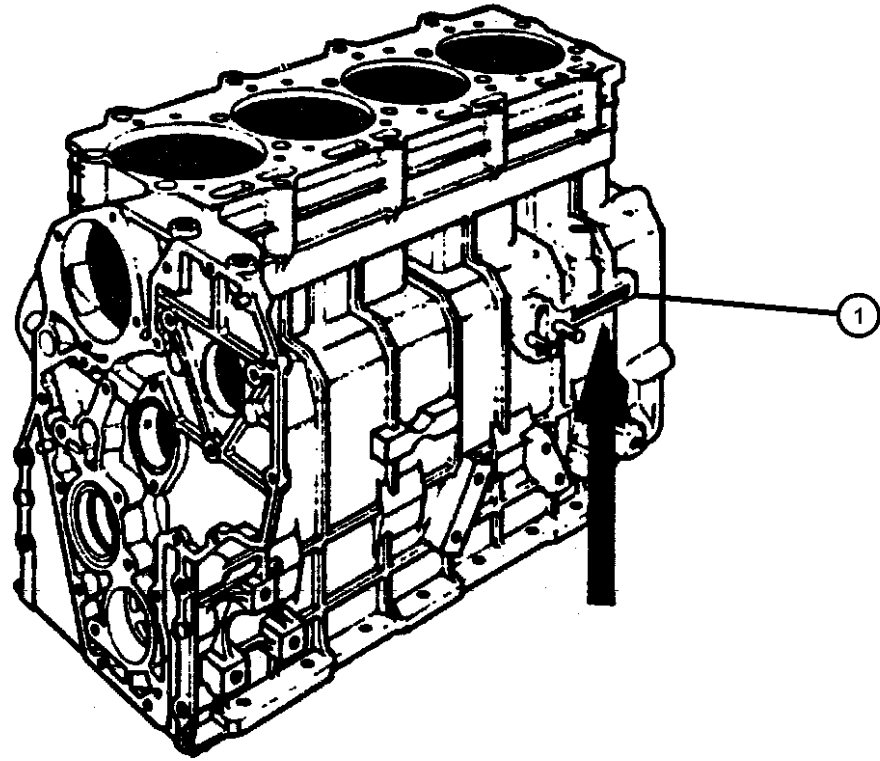


Group - 2.5LD Engine 2.5L Four Cylinder (Turbo Diesel)

Illustration Title	Group-Fig. No.
Engine Identification	
I. D. Location (ENC).....	Fig. 2.5LD - 110
Cylinder Head	
Cylinder Head and Cover (ENC).....	Fig. 2.5LD - 210
Cylinder Block	
Cylinder Block (ENC)	Fig. 2.5LD - 310
Crankshaft, Piston and Drive Plate	
Crankshaft, Piston, Torque Converter (ENC)	Fig. 2.5LD - 410
Camshafts & Valves	
Camshaft and Valves (ENC)	Fig. 2.5LD - 510
Timing Belt and Cover	
Timing Chain and Cover (ENC) 1997.....	Fig. 2.5LD - 610
Engine Oiling	
Engine Oiling (ENC)	Fig. 2.5LD - 710
Oil Lines (ENC).....	Fig. 2.5LD - 720
Manifolds	
Manifold, Intake and Exhaust (ENC).....	Fig. 2.5LD - 810
Crankcase Ventilation	
Crankcase Ventilation (ENC).....	Fig. 2.5LD - 910

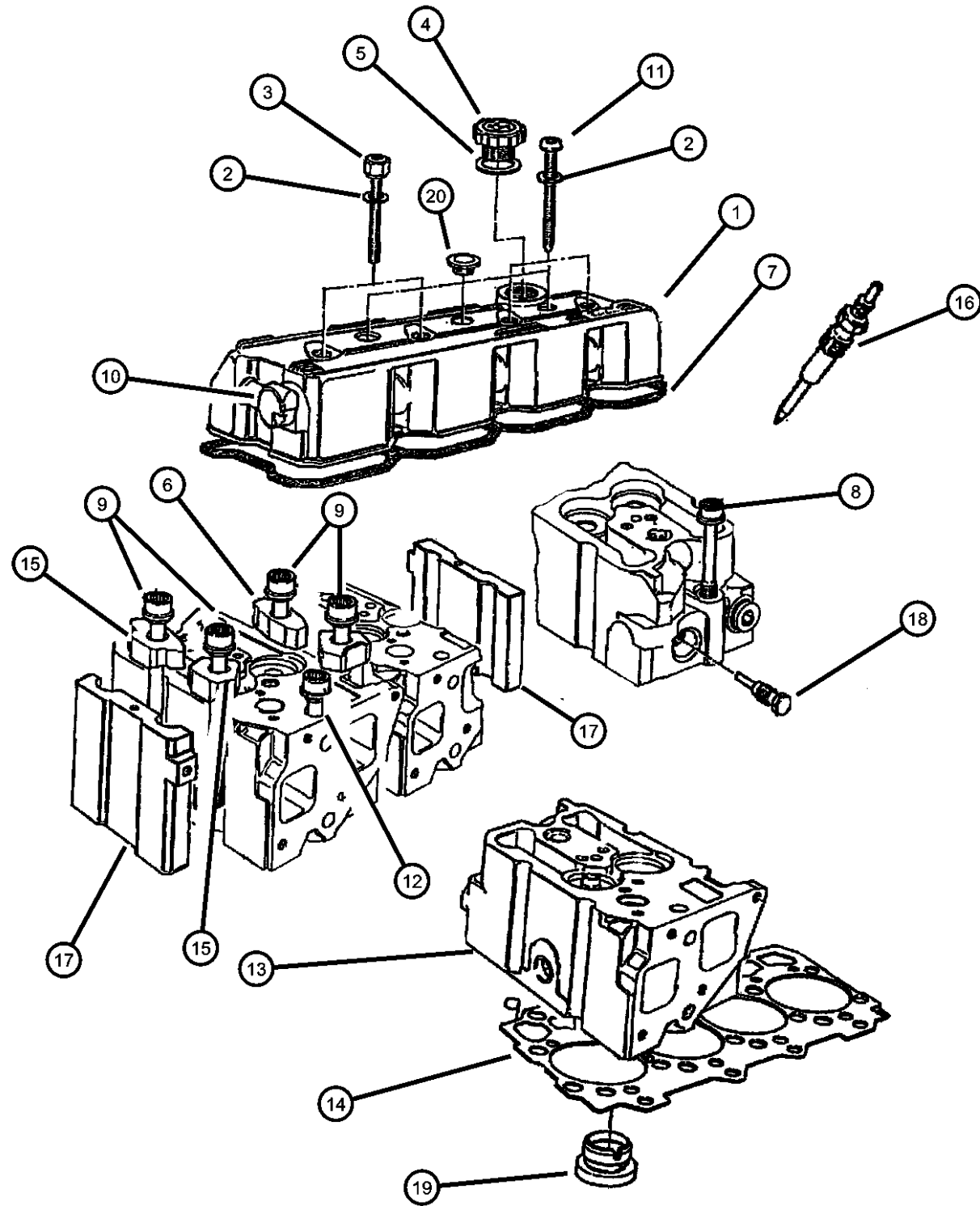
I. D. Location (ENC)
Figure 2.5LD-110

ITEM	PART NUMBER	QTY	LINE	SERIES	BODY	ENGINE	TRANS	TRIM	DESCRIPTION
1	04694646	1							LABEL, Engine Identification, (NOT SERVICED)



AR = use ase required - = Non illustrated part

**Cylinder Head and Cover (ENC)
Figure 2.5LD-210**



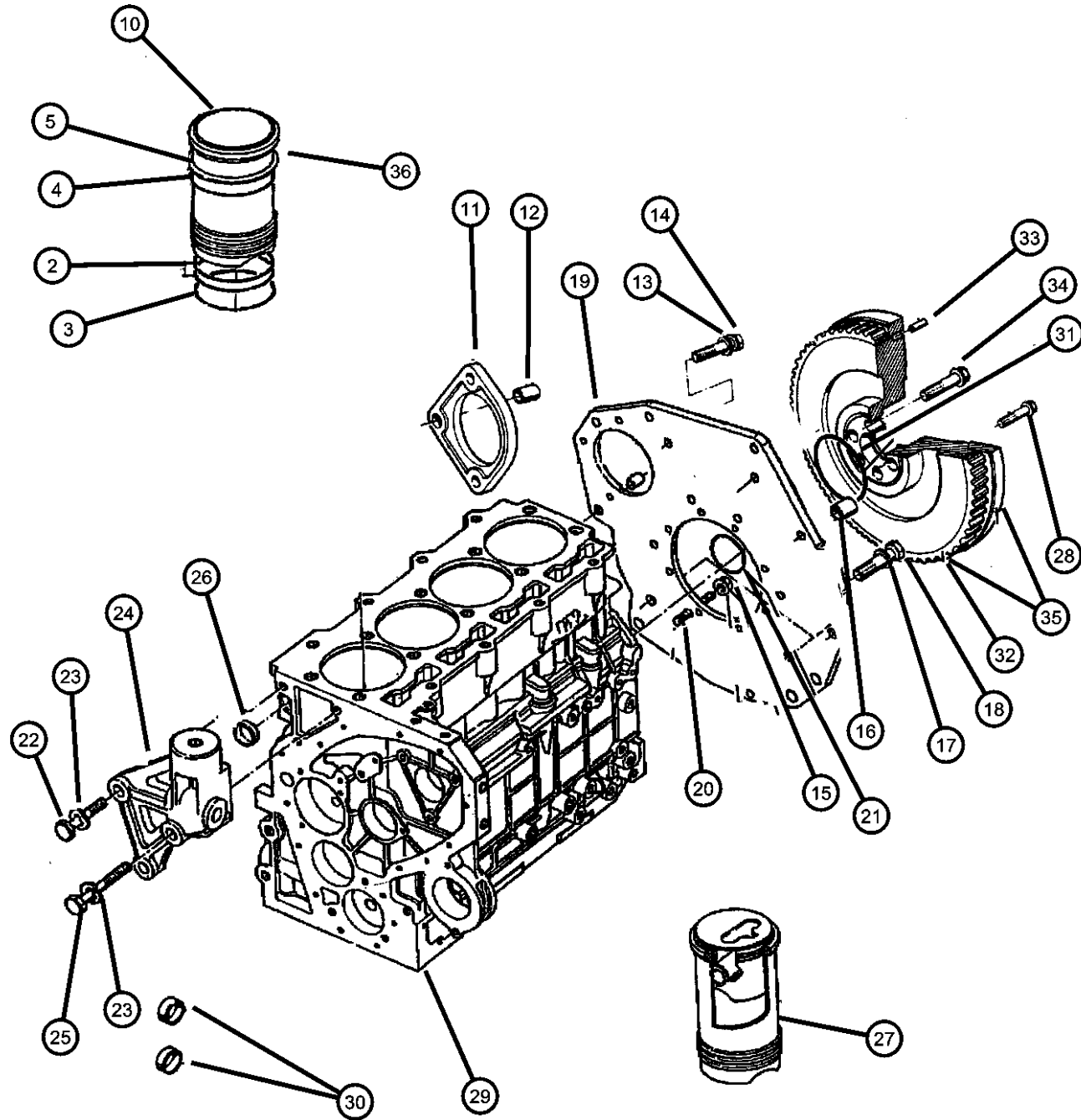
ITEM	PART NUMBER	QTY	LINE	SERIES	BODY	ENGINE	TRANS	TRIM	DESCRIPTION
------	-------------	-----	------	--------	------	--------	-------	------	-------------

NOTE:
Sales Codes:
ENC=2.5L 4Cyl. Turbo Diesel

1	04863842	1				ENC			COVER, Cylinder Head
2	04864554	4				ENC			SEAL, Valve Cover Bolt
3	04863752	2				ENC			SCREW
4	04863741	1				ENC			CAP, Oil Filler
5	04720300	1				ENC			GASKET, Oil Filler Cap
6	04864040	3				ENC			CLAMP, Cylinder Head
7	04863789	1				ENC			GASKET, Valve Cover
8	04720671	4				ENC			BOLT, Cylinder Head
9	04720235	10				ENC			BOLT, Cylinder Head
10	04720691	1				ENC			ADAPTER, Crankcase Vent
11	04863749	4				ENC			SCREW
12	04720233	4				ENC			BOLT, Cylinder Head
13	04883416AA	4				ENC			HEAD, Cylinder
14									GASKET, Cylinder Head
	04863781	1				ENC			1.42
	04863782	1				ENC			1.52
	04863783	1				ENC			1.62
15									CLAMP, Cylinder Head
	04864038	5				ENC			Manifold Side
	04864039	2				ENC			Front
16	04863826	4				ENC			GLOW PLUG
17	04882407	2				ENC			CLAMP, Cylinder Head
18	04863770	1				ENC			PLUG, Dummy
19	04863769	4				ENC			PLUG, HOT
20	04864555	3				ENC			PLUG, Cylinder Block

AR = use ase required - = Non illustrated part

**Cylinder Block (ENC)
Figure 2.5LD-310**



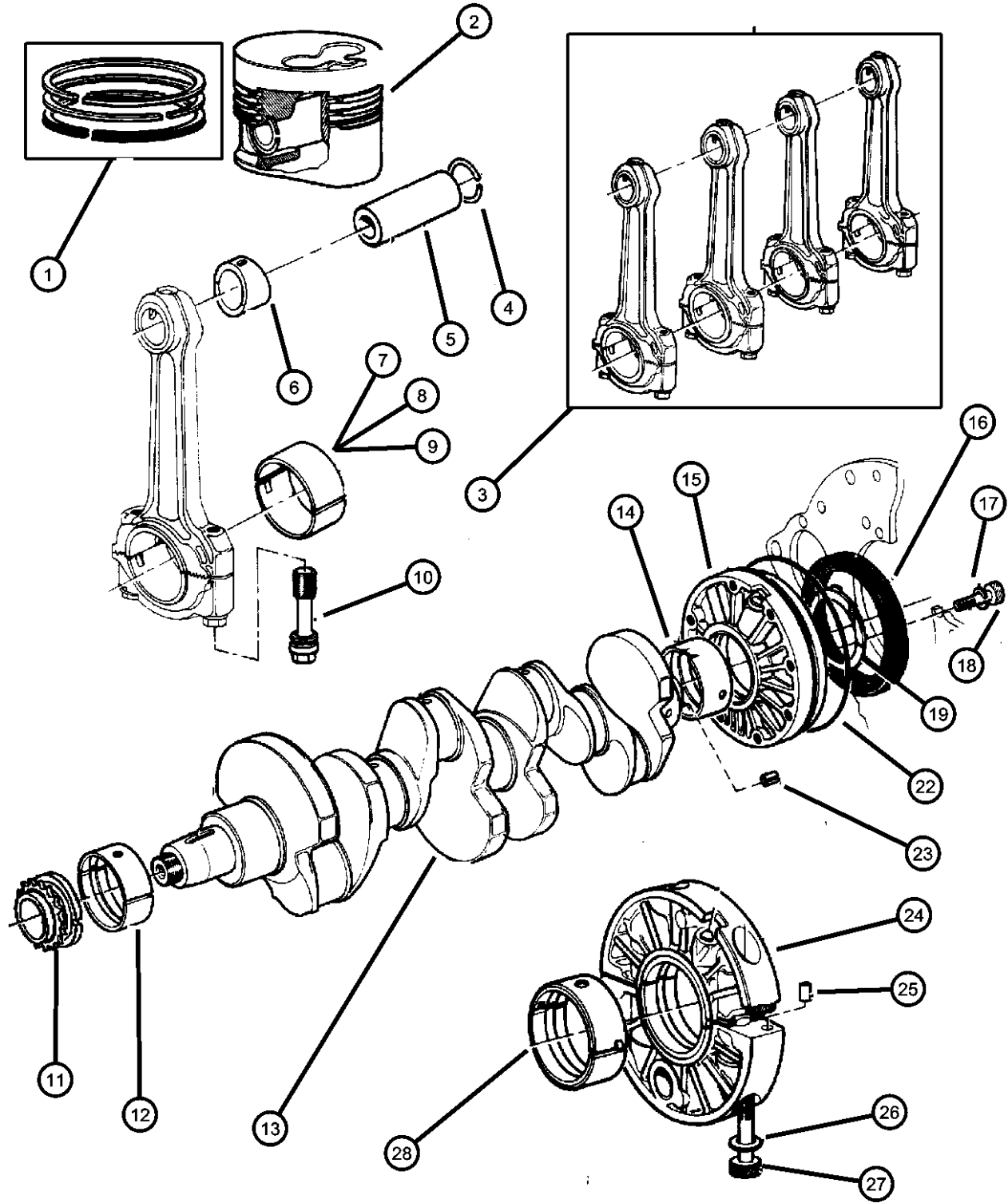
ITEM	PART NUMBER	QTY	LINE	SERIES	BODY	ENGINE	TRANS	TRIM	DESCRIPTION
------	-------------	-----	------	--------	------	--------	-------	------	-------------

NOTE:
Sales Codes:
ENC=2.5L 4 Cyl. Turbo Diesel

-1	04864681	1				ENC			GASKET, Engine Block Cover
2	04720625	4				ENC			O RING, Cylinder LinerWater
3	04720627	8				ENC			O RING, Cylinder LinerOil
4	04720626	4				ENC			O RING, Cylinder LinerUpper
5	04720620	AR				ENC			SHIM, Cylinder Liner, 0.15mm
-6	04720624	AR				ENC			SHIM, Cylinder Liner, 0.17mm
-7	04720621	AR				ENC			SHIM, Cylinder Liner, 0.20mm
-8	04720623	AR				ENC			SHIM, Cylinder Liner, 0.23mm
-9	04720622	AR				ENC			SHIM, Cylinder Liner, 0.25mm
10	04720611	4				ENC			LINER, Cylinder
11	04864045	1				ENC			SPACER, Starter
12	04720236	1				ENC			DOWEL, Starter
13	04720686	3				ENC			WASHER, Tow Hook
14	04720675	2				ENC			BOLT, Adaptor Plate
15	04778961	26				ENC			NUT
16	04720237	2				ENC			DOWEL, Transmission Adapter
17	04741768	5				ENC			WASHER, Adaptor Plate
18	04720674	2				ENC			BOLT, Adapter Plate To Block
19	04864044	1				ENC			PLATE
20	04720677	6				ENC			STUD, Adaptor Plate
21	04863833	1				ENC			O RING
22	04863875	1				ENC			BOLT, Hex Flange Head, M10x35
23	04741768	5				ENC			WASHER, Adaptor Plate
24	04863875	1				ENC			ISOLATOR, Engine Mount
25	04864532	4				ENC			SCREW
26	04778887	1				ENC			PLUG, Cylinder Block Oil Hole
27	04864532	4				ENC			LINER AND PISTON, Cylinder
28	04863812	1				ENC			SCREW
29	04856851	1				ENC			BLOCK, Cylinder
30	04723210	4				ENC			PLUG, Cylinder Block Oil Hole
31	04720240	1				ENC			O RING, Flywheel To Crankshaft
32	04720224	1				ENC			GEAR, Ring
33	04864675	3				ENC			DOWEL, Starter
34	04720232	6				ENC			BOLT, Flywheel
35	04863736	1				ENC			FLYWHEEL
36	04723118	4				ENC			SHIM KIT, Cylinder Liner
-37	04897320AA	1				ENC			ENGINE, 3/4 Tested, Diesel
-38	04897320AA	1				ENC			BOLT, Hex Flange Head, M10x35, (NOT SERVICED)

AR = use ase required - = Non illustrated part

Crankshaft, Piston, Torque Converter (ENC)
Figure 2.5LD-410



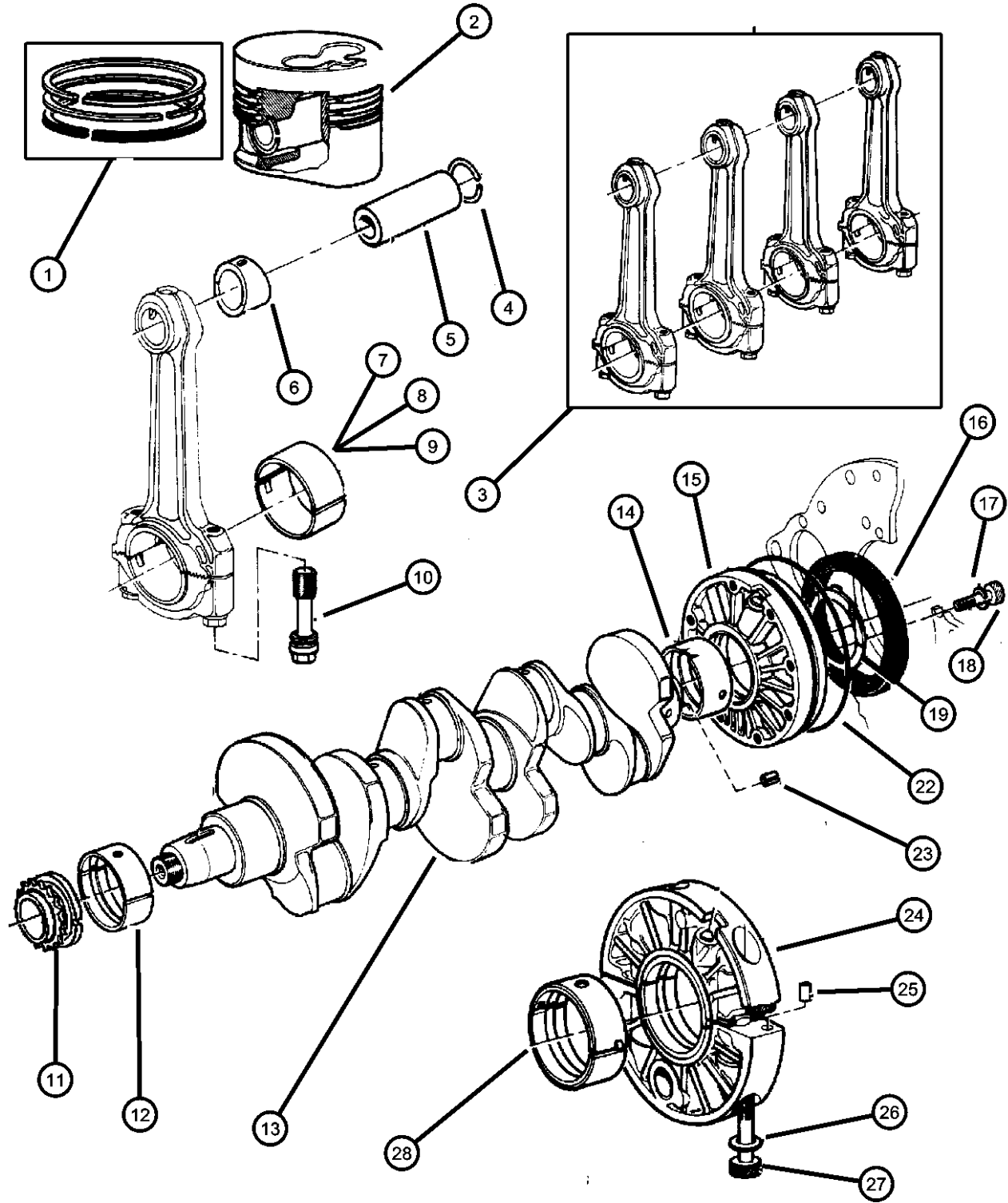
ITEM	PART NUMBER	QTY	LINE	SERIES	BODY	ENGINE	TRANS	TRIM	DESCRIPTION
------	-------------	-----	------	--------	------	--------	-------	------	-------------

NOTE:
 Sales Codes:
 ENC=2.5L 4 Cyl. Turbo Diesel

1	04720084	4				ENC			RING KIT, Piston, Standard
2	04864190	4				ENC			PISTON
3	04723122	1				ENC			ROD, Connecting
4	04720099	8				ENC			RING, Piston Pin
5	04723159	4				ENC			PIN, Piston
6	04723160	4				ENC			BUSHING, Connecting Rod
7	04720877	4				ENC			BUSHING, Connecting Rod
8	04720882	4	C, Y, Z			ENC			BEARING, Connecting Rod, .010" U/S
9	04720883	4	C, Y, Z			ENC			BEARING, Connecting Rod, .25 mm U/S
10	04883386AA	8				ENC			BOLT, Connecting Rod
11	04863882	1				ENC			GEAR, Crankshaft
12									BEARING, Crankshaft
	04720885	1				ENC			Standard
	04720886	1				ENC			.125mm
	04720887	1				ENC			.25mm
13	04863847	1				ENC			CRANKSHAFT
14									BEARING, Crankshaft
	04864539	1				ENC			Standard
	04864540	1				ENC			.125mm
	04864541	1				ENC			.25mm
15	04864676	1				ENC			HOUSING, Rear Bearing
16	04720283	1				ENC			SEAL, Rear Main Crankshaft
17	04723204	4				ENC			WASHER, Implement Attaching
18	04720284	9				ENC			SCREW, Rear Crankshaft Support
19	04864046	1				ENC			WASHER, Thrust
-20	04864543	1				ENC			WASHER, Thrust, 0.10 Oversize
-21	04864544	1				ENC			WASHER, Thrust, 0.20 Oversize
22	04720277	1				ENC			O RING, Crankshaft Rear Support
23	04723158AB	1				ENC			PIN, Dowel
24	04863711	3				ENC			HOUSING, Crankshaft Bearing
25	04720241	2				ENC			DOWEL, Center Bearing Housing
26	04720243	2				ENC			WASHER, Lock, M10
27	04720242	2				ENC			SCREW
28									BEARING, Crankshaft
	04720889	3				ENC			Standard
	04720890	3				ENC			.125mm

AR = use ase required - = Non illustrated part

Crankshaft, Piston, Torque Converter (ENC)
Figure 2.5LD-410

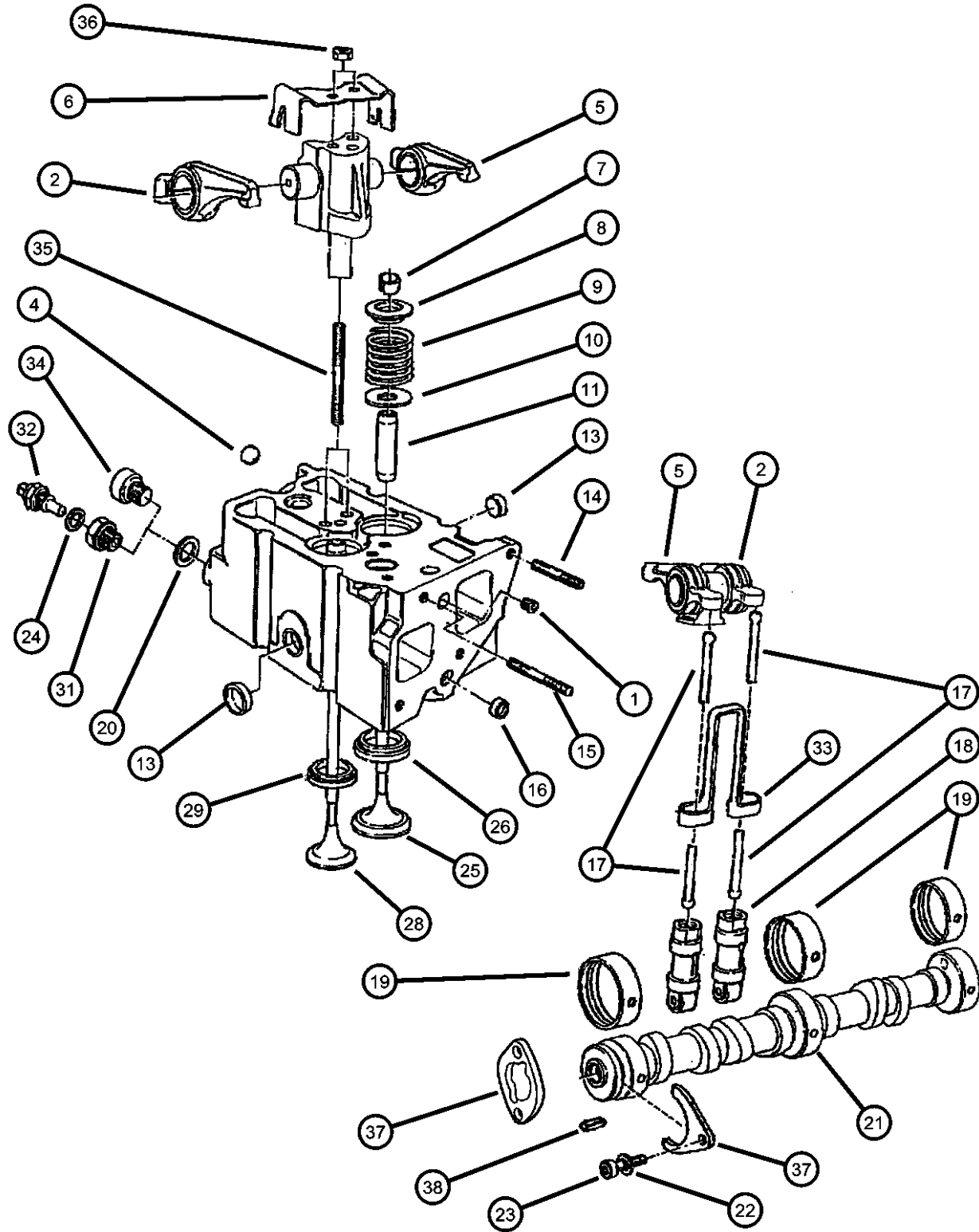


ITEM	PART NUMBER	QTY	LINE	SERIES	BODY	ENGINE	TRANS	TRIM	DESCRIPTION
------	-------------	-----	------	--------	------	--------	-------	------	-------------

	04720892	3				ENC			.25mm
-29	04720892	3							NUT, Damper Pulley, (NOT REQUIRED),

AR = use ase required - = Non illustrated part

Camshaft and Valves (ENC)
Figure 2.5LD-510



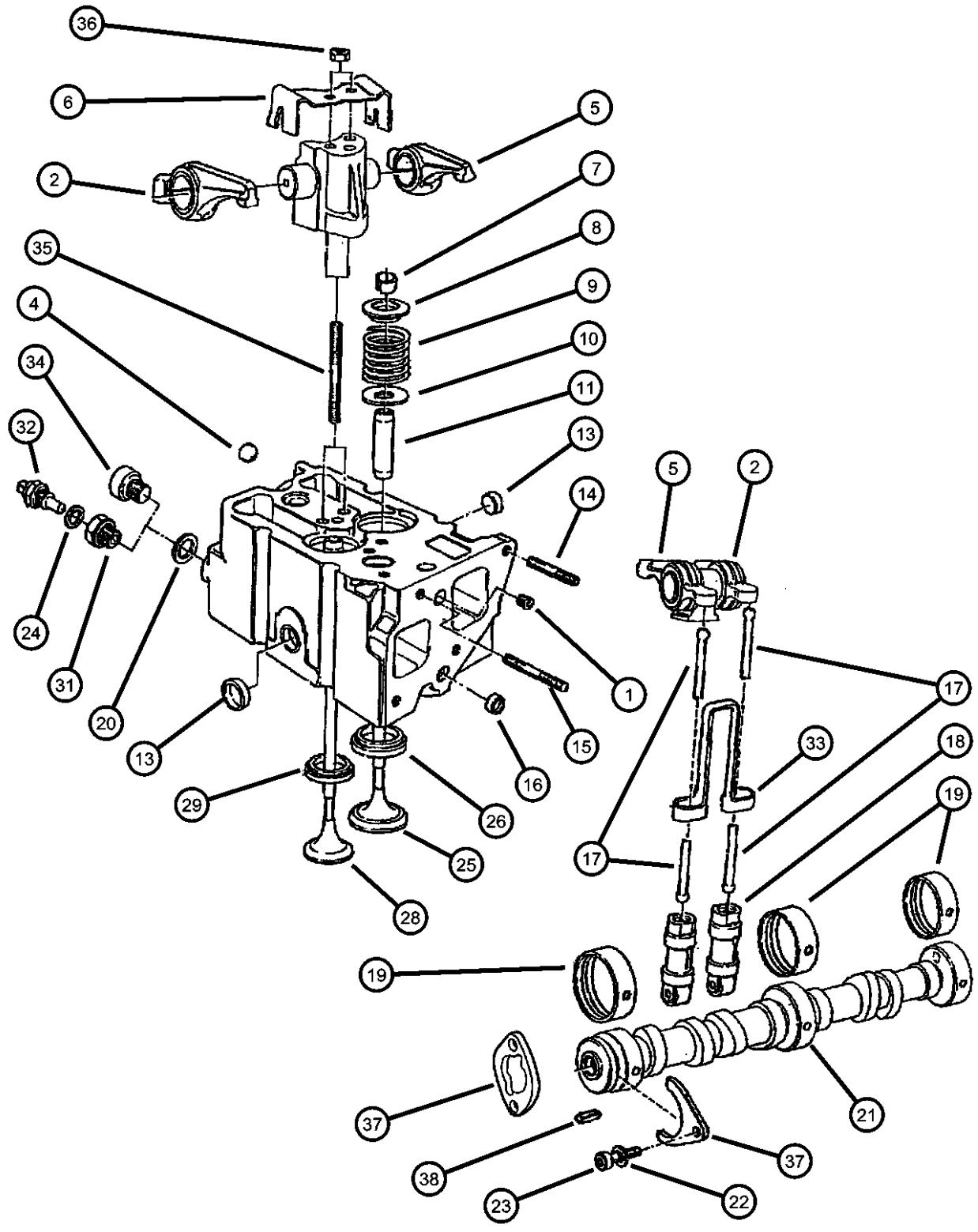
ITEM	PART NUMBER	QTY	LINE	SERIES	BODY	ENGINE	TRANS	TRIM	DESCRIPTION
------	-------------	-----	------	--------	------	--------	-------	------	-------------

NOTE:
 Sales Codes:
 ENC=2.5L 4Cyl. Turbo Diesel

1	04723196	1				ENC			PLUG, Camshaft
2	04883399AA	4				ENC			ROCKER ARM, Exhaust
-3	04883397AA	4				ENC			ROCKER ARM, Inlet and Exhaust Valve
4	04723228	8				ENC			PLUG, Cylinder Block Oil Hole
5	04883398AA	4				ENC			ROCKER ARM, Intake
6	04863861	4				ENC			SPRING, Valve
7	04720155	16				ENC			LOCK, Valve Spring Retainer
8	04720152	8				ENC			RETAINER, Valve Spring
9	04720158	8				ENC			SPRING, Valve
10	04720153	8				ENC			WASHER, Plain
11	04883417AA	8				ENC			GUIDE, Intake/Exhaust Valve, Standard Size
-12	04883820AA	1				ENC			GUIDE, Intake/Exhaust Valve, 0.10mm Oversize
13	04723228	8				ENC			PLUG, Cylinder Block Oil Hole
14	04723241	11				ENC			STUD
15	04882405	8				ENC			STUD
16	04723210	4				ENC			PLUG, Cylinder Block Oil Hole
17	04883395AA	8				ENC			PUSH ROD, Valve
18	04773712	8				ENC			TAPPET, Valve
19	04863858	3				ENC			BEARING, Camshaft
20	04723246	5				ENC			WASHER, Plain
21	04863856	1				ENC			CAMSHAFT, Engine
22	04720285	12				ENC			WASHER, P Clip
23	04728186	2				ENC			BOLT, Hex Head, M8x18
24	04720703	7				ENC			WASHER, Plain
25	04720146	4				ENC			VALVE, Intake, Standard
26	04883418AA	4				ENC			SEAT, Intake Valve
-27	04723245	4				ENC			SEAT, Intake Valve, 0.30mm Oversize
28	04720148	4				ENC			VALVE, Exhaust, Standard
29	04883419AA	4				ENC			SEAT, Exhaust Valve
-30	04723244	4				ENC			SEAT, Exhaust Valve, 0.30mm Oversize
31	04720581	1				ENC			ADAPTER, Temperature Sensor
32	04863824	1				ENC			SENSOR, Temperature Sending Unit
33	04773701	4				ENC			BRACKET, Antirotation
34	04720159	5				ENC			PLUG, Cylinder Block Oil Hole
35	04882404	8				ENC			STUD
36	04883396AA	8				ENC			NUT

AR = use ase required - = Non illustrated part

Camshaft and Valves (ENC)
Figure 2.5LD-510

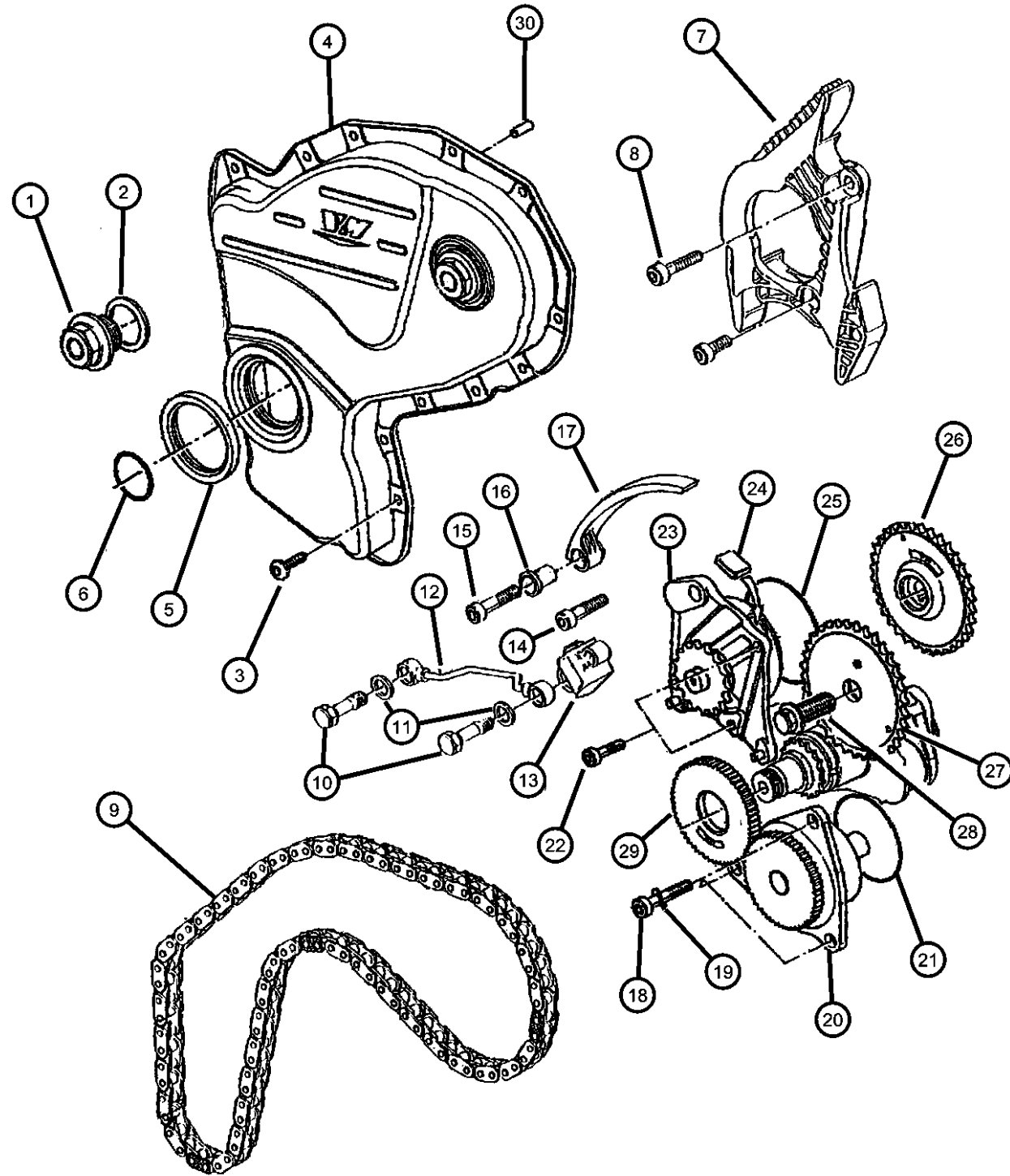


ITEM	PART NUMBER	QTY	LINE	SERIES	BODY	ENGINE	TRANS	TRIM	DESCRIPTION
------	-------------	-----	------	--------	------	--------	-------	------	-------------

37	04864678	1				ENC			PLATE, Camshaft Thrust
38	04864678	1							KEY, Camshaft Sprocket, (NOT REQUIRED)

AR = use ase required - = Non illustrated part

Timing Chain and Cover (ENC) 1997
Figure 2.5LD-610



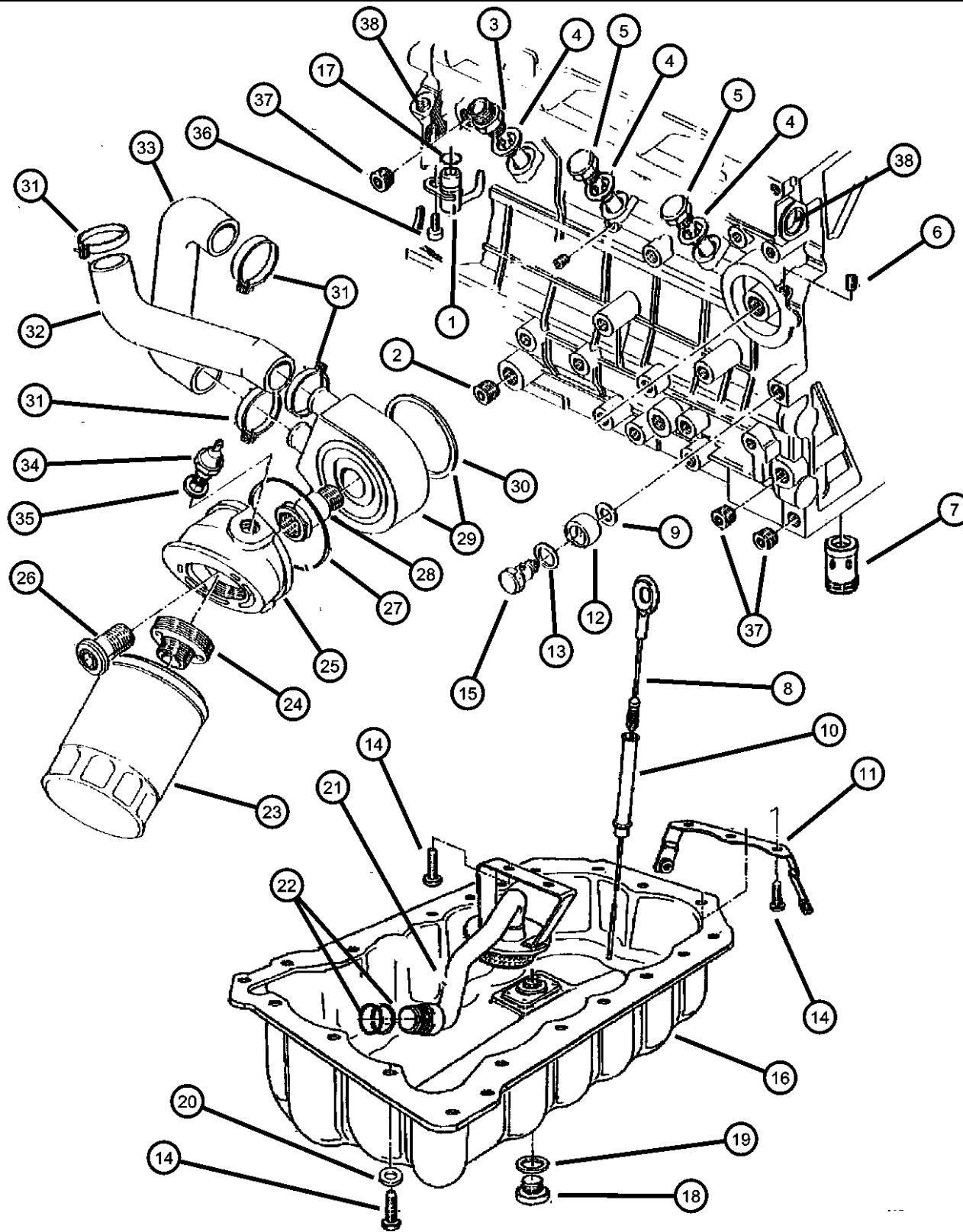
ITEM	PART NUMBER	QTY	LINE	SERIES	BODY	ENGINE	TRANS	TRIM	DESCRIPTION
------	-------------	-----	------	--------	------	--------	-------	------	-------------

NOTE:
Sales Codes:
ENC=2.5L 4 Cyl. Turbo Diesel

1	04778839	1				ENC			COVER, Timing Belt
2	04720290	1				ENC			GASKET, Engine Oil Plug
3	04864550	41				ENC			SCREW
4	04856872	1				ENC			COVER, Timing Case
5	04720291	1				ENC			SEAL, Timing Belt Cover
6	04863831	1				ENC			O RING
7	04864043	1				ENC			SNUBBER, Timing Chain
8	04720284	9				ENC			SCREW, Rear Crankshaft Support
9	04863795	1				ENC			CHAIN, Timing
10	04863750	2				ENC			SCREW
11	04720713	2				ENC			WASHER, Implement Attaching
12	04864028	1				ENC			TUBE, Oil Feed
13	04882593AB	1				ENC			TENSIONER, Chain
14	04741822	1				ENC			SCREW, Throttle Cable Bracket
15	04863807	1				ENC			SCREW
16	04864050	1				ENC			BUSHING
17	04882594	1				ENC			TENSIONER, Chain
18	04720135	6				ENC			BOLT, Hex Head, M8x18
19	04720565	3				ENC			WASHER, Tube Bolt
20	04864679	1				ENC			PUMP, Engine Oil
21	04720239	1				ENC			O RING, Adaptor Plate
22	04728186	2				ENC			BOLT, Oil Drain Pipe
23	04882591	1				ENC			PUMP, Vacuum
24	04863792	3				ENC			INSERT, Vacuum Pump Rotor
25	04863832	1				ENC			O RING
26	04863928	1				ENC			GEAR, Injection Pump
27	04863883	1	C, Y, Z			ENC			GEAR, Camshaft
28	04863751	1				ENC			SCREW
29	04864677	1				ENC			GEAR, Oil Pump
30	04720304	1				ENC			DOWEL, Front Cover

AR = use ase required - = Non illustrated part

**Engine Oiling (ENC)
Figure 2.5LD-710**



ITEM	PART NUMBER	QTY	LINE	SERIES	BODY	ENGINE	TRANS	TRIM	DESCRIPTION
NOTE: Sales Codes: ENC=2.5L 4 Cyl. Turbo Diesel									
1	04864041	4				ENC			JET, Valve Body
2	04864577	3				ENC			PLUG, Cylinder Block
3	04720709	1				ENC			BOLT, Turbo Oil Feed Adapter
4	04720704	5				ENC			WASHER, Oil Pressure Transduser
5	04720726	2				ENC			BOLT, Oil Feed To Turbo Adapter
6	04864577	3				ENC			PLUG, Cylinder Block
7	04720217	1				ENC			VALVE, Oil Pressure Relief
8	04863929	1				ENC			INDICATOR, Engine Oil Level
9	04863779	1				ENC			GASKET, Vacuum Pump, Mounting
10	04863938	1				ENC			TUBE, Oil Gauge
11	04864683	1				ENC			BRACKET, Oil Seperator, Engine
12	04882621	1				ENC			VALVE, Vacuum
13	04864690	1				ENC			WASHER
14	04864550	41				ENC			SCREW
15	04864036	1				ENC			BOLT, Banjo
16	04864682	1				ENC			PAN, Oil
17	04864689	4				ENC			O RING
18	04720352	1				ENC			PLUG, Oil Drain
19	04720353	1				ENC			WASHER, Plain
20	04741823	2				ENC			WASHER, Plain
21	04864022	1				ENC			PIPE, Water Inlet
22	04720374	2				ENC			O RING, Oil Suction Tube
23	04778838	1				ENC			FILTER, Engine Oil
24	04797610	1				ENC			ADAPTER, Oil Filter
25	04723212	1				ENC			BASE, Oil Filter
26	04778990	1				ENC			ADAPTER, Oil Filter
27	04720375	1				ENC			O RING, Oil Filter Base
28	04882410	1				ENC			ADAPTER, Oil Filter
29	04720366	1				ENC			COOLER, Engine Oil
30	04723217	2				ENC			O RING, Oil Cooler
31	04720694	5				ENC			CLAMP, Heater Hose
32	04864031	1				ENC			HOSE, Oil Cooler
33	04778988	1				ENC			HOSE, Engine Oil Cooler
34	04707051	1				ENC			SWITCH, Oil Pressure
35	04720713	2				ENC			WASHER, Implement Attaching
36	04882620	4				ENC			SCREW
37	04864577	3				ENC			PLUG
38	04723211	1				ENC			PLUG, Cylinder Block Oil Hole

AR = use ase required - = Non illustrated part

**Oil Lines (ENC)
Figure 2.5LD-720**

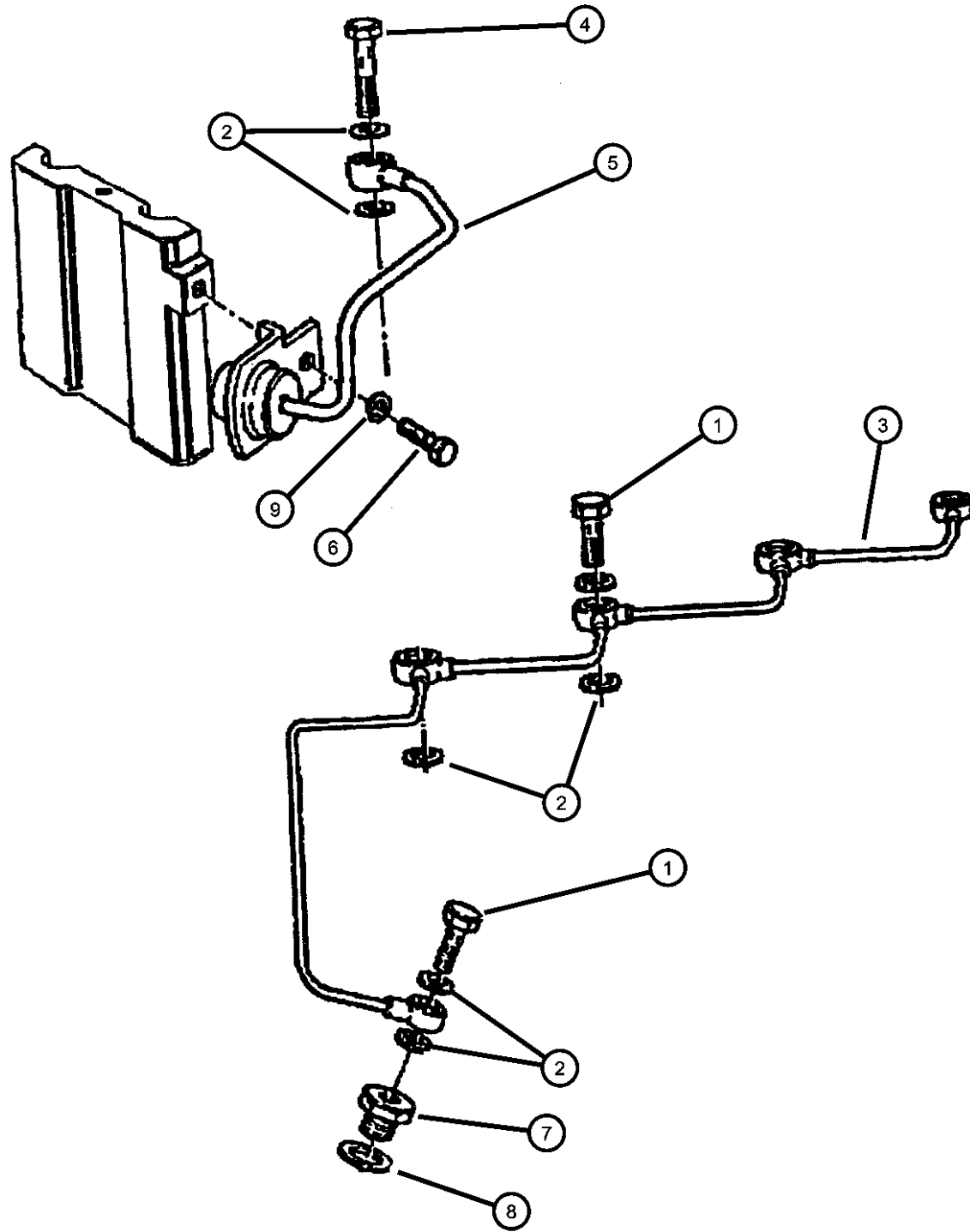
ITEM	PART NUMBER	QTY	LINE	SERIES	BODY	ENGINE	TRANS	TRIM	DESCRIPTION
------	-------------	-----	------	--------	------	--------	-------	------	-------------

NOTE:

Sales Codes:

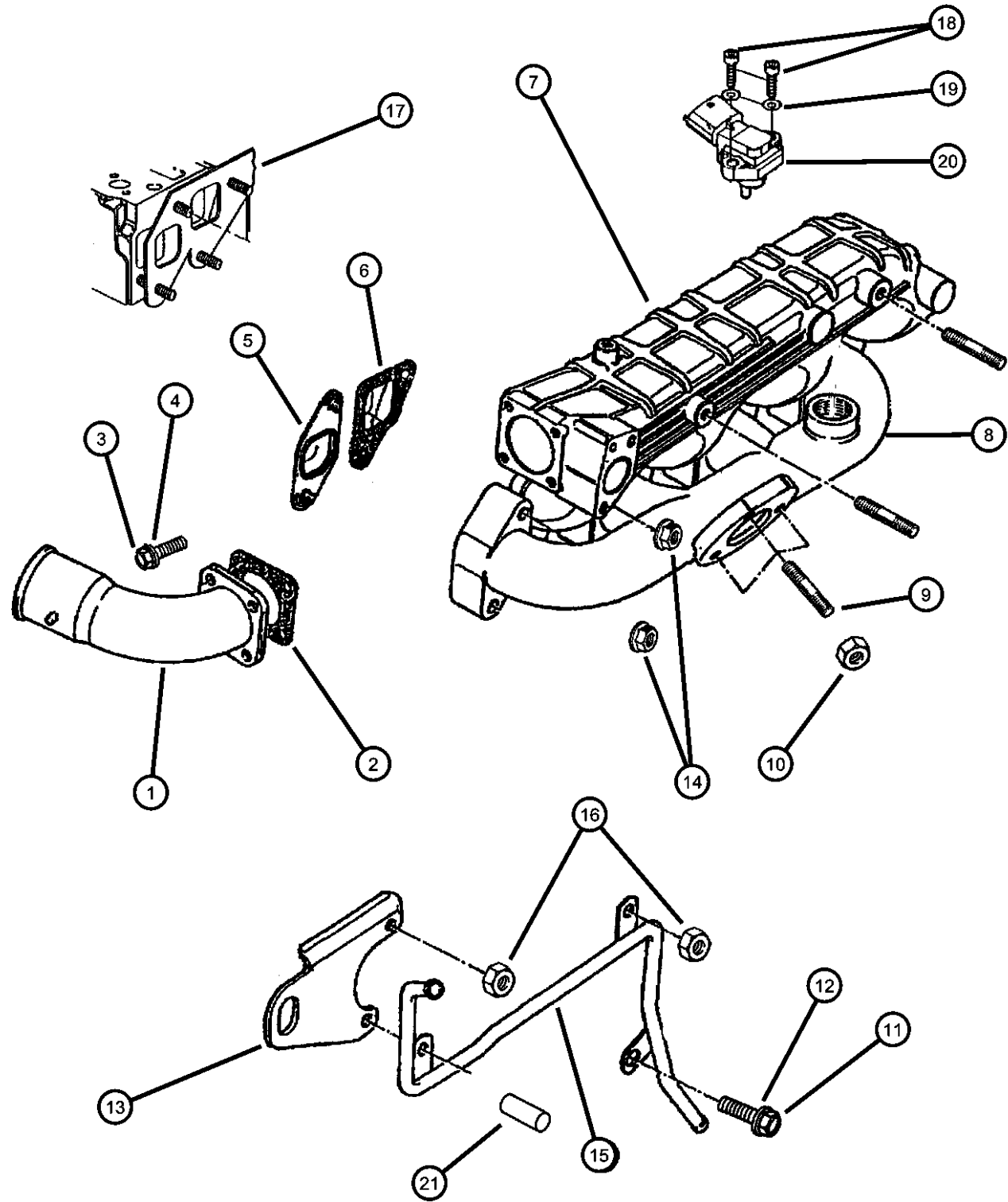
ENC=2.5L 4Cyl. Turbo Diesel

1	04720358	5				ENC			BOLT, Banjo
2	04720554	12				ENC			WASHER, Banjo
3	04864023	1				ENC			TUBE, Oil Feed
4	04864037	1				ENC			UNION
5	04864027	1				ENC			PIPE, Oil Supply
6	04882671	1				ENC			BOLT
7	04863777	1				ENC			UNION
8	04720704	5				ENC			WASHER, Oil Pressure Transduser
9	04723168	1				ENC			WASHER, Fuel Solenoid Wire



AR = use ase required - = Non illustrated part

**Manifold, Intake and Exhaust (ENC)
Figure 2.5LD-810**

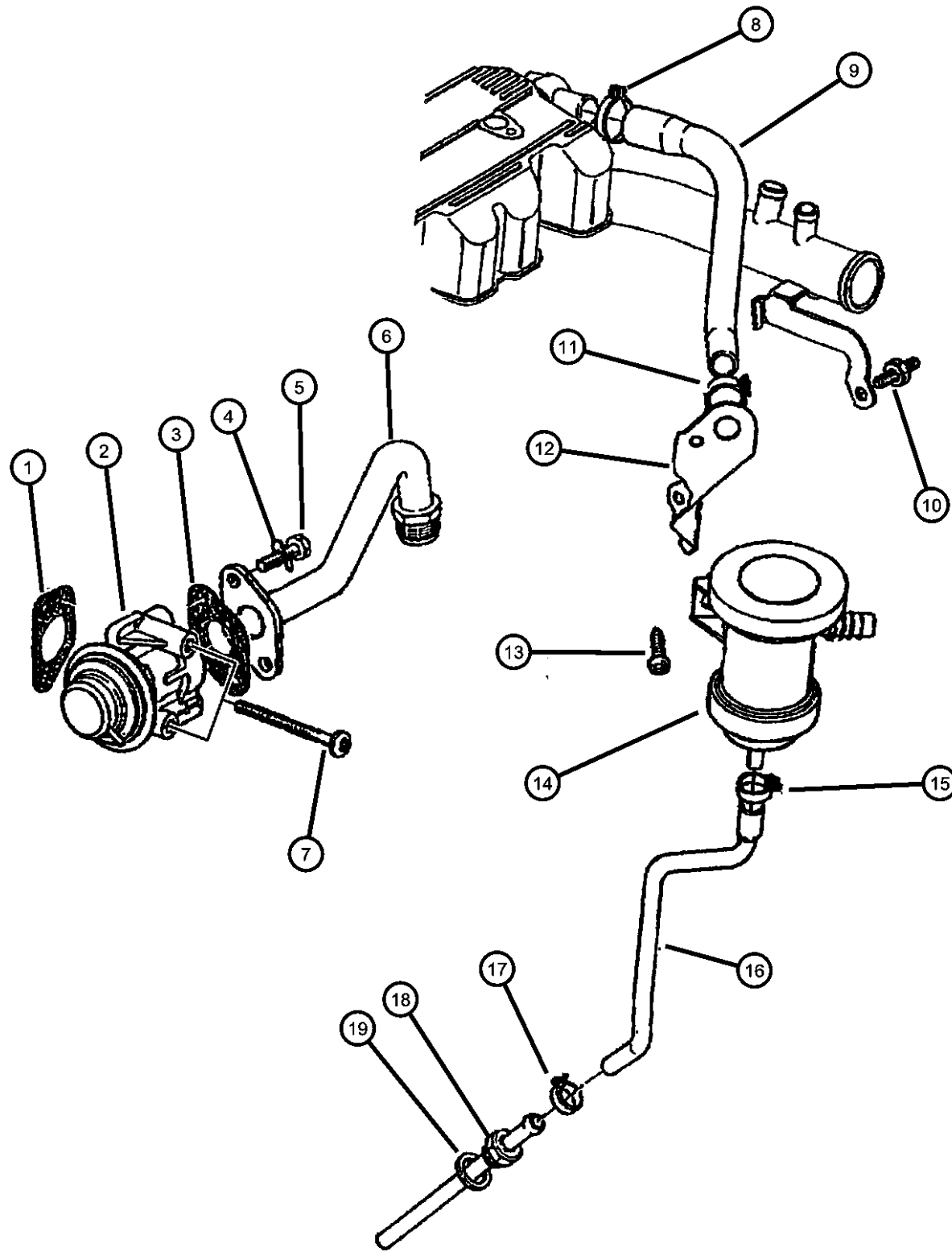


NOTE:
Sales Codes:
ENC=2.5L 4Cyl. Turbo Diesel

ITEM	PART NUMBER	QTY	LINE	SERIES	BODY	ENGINE	TRANS	TRIM	DESCRIPTION
1	04882600	1				ENC			ELBOW, Turbo Exhaust Outlet
2	04720207	1				ENC			GASKET, Intake Connector
3	04720658	8				ENC			SCREW, Intake Manifold Elbow
4	04741823	2				ENC			WASHER, Plain
5	04720204	4				ENC			GASKET, Exhaust Manifold
6	04720206	4				ENC			GASKET PACKAGE, Intake Manifold
7	04882602	1				ENC			MANIFOLD, Intake
8	04883414AA	1				ENC			MANIFOLD, Exhaust
9	04882606	4				ENC			STUD, Turbo Elbow
10	04882610	7				ENC			NUT, Lock
11	04863810	1				ENC			SCREW
12	04723281	1				ENC			WASHER, Starter
13	04882609	1				ENC			EYEBOLT, Engine Lift
14	04778961	26				ENC			NUT
15	04882607	1				ENC			TUBE, Vacuum
16	04882611	8				ENC			NUT, Lock
17	04882611	8							GASKET, Intake/Exhaust Manifold, (NOT REQUIRED)
18	04882611	8							BOLT, (NOT REQUIRED)
19	04882611	8							WASHER, Fuel Solenoid Wire, (NOT REQUIRED)
20	04882611	8							SENSOR, Air Temperature, (NOT REQUIRED)
21	04882611	8							SPACER, (NOT REQUIRED)

AR = use ase required - = Non illustrated part

**Crankcase Ventilation (ENC)
Figure 2.5LD-910**



ITEM	PART NUMBER	QTY	LINE	SERIES	BODY	ENGINE	TRANS	TRIM	DESCRIPTION
------	-------------	-----	------	--------	------	--------	-------	------	-------------

NOTE:
Sales Codes:
ENC=2.5L 4Cyl. Turbo Diesel

1	04778965	1				ENC			GASKET, EGR Tube
2	04882409	1				ENC			VALVE, EGR
3	04720208	1				ENC			GASKET, EGR Tube Flange
4	04720565	3				ENC			WASHER, Tube Bolt
5	04864537	2				ENC			BOLT, 8Mx20
6	04864024	1				ENC			PIPE, EGR Valve
7	04863749	4				ENC			BOLT
8	04720693	1				ENC			CLAMP, Heater Hose
9	04864033	1				ENC			TUBE, Breather
10	04864051	1				ENC			STUD
11	04720694	5				ENC			CLAMP, Heater Hose
12	04863866	1				ENC			BRACKET, Oil Separator, Engine
13	04864550	41				ENC			SCREW
14	04863796	1				ENC			SEPERATOR, Oil
15	04723177	1				ENC			CLAMP, Oil Separator Hose
16	04882565AB	1				ENC			PIPE, Oil Drain
17	04741774	1				ENC			CLAMP, Oil Separator Hose
18	04778942	1				ENC			ADAPTER, Oil Drain Pipe
19	04720704	5				ENC			WASHER, Oil Pressure Transduser
-20	04669090AB	1				ENC			CONNECTOR, Oil Separator Hose
-21	04612714	1				ENC			HOSE, Oil Separator

AR = use ase required - = Non illustrated part

Group - 11

Exhaust

Group - 11 Exhaust

Illustration Title

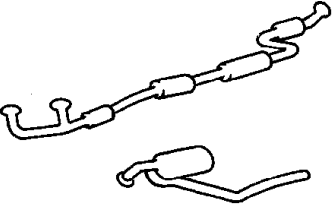
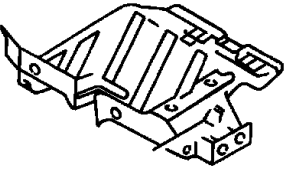
Group-Fig. No.

Exhaust System

Exhaust System GS..... Fig. 11 - 110

Heat Shields

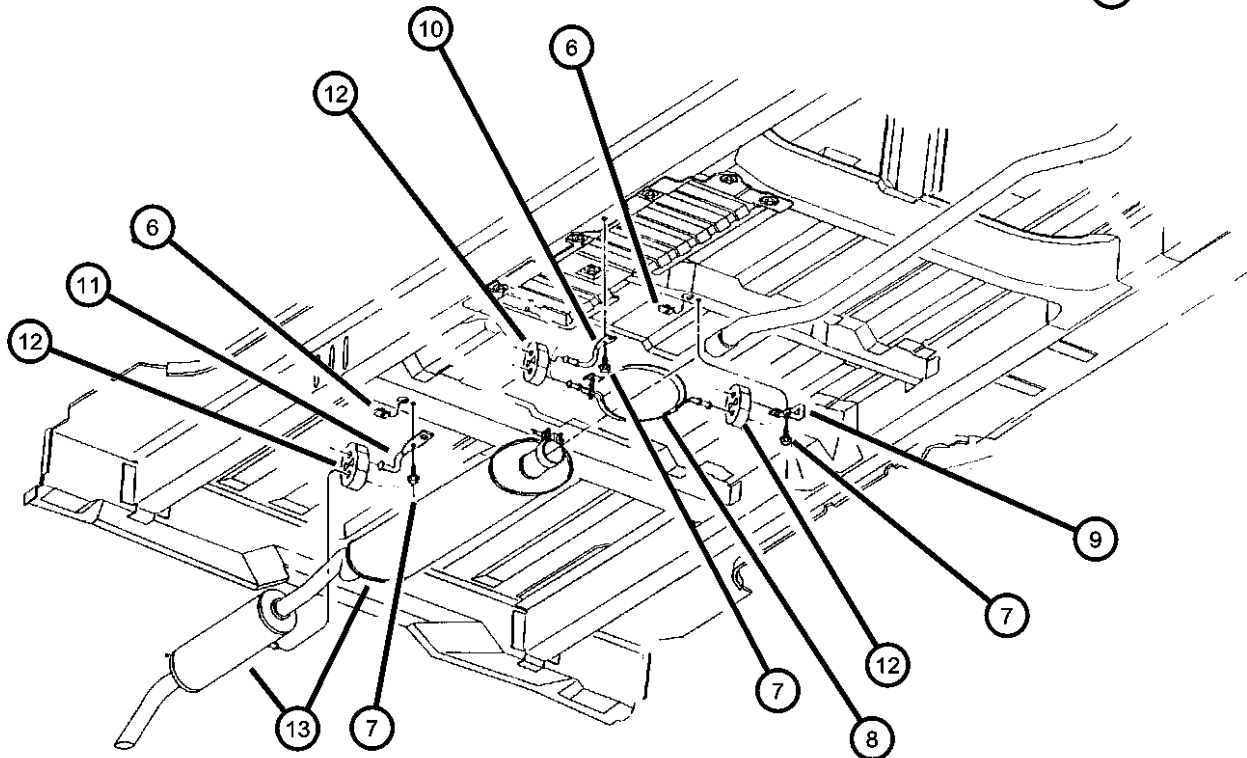
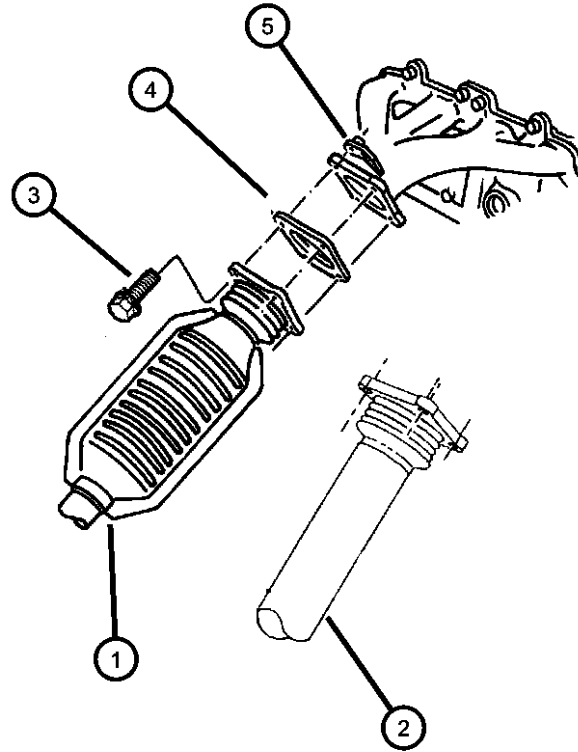
Heat Shields GS..... Fig. 11 - 210

<p>011-100 Exhaust System</p> 	<p>011-200 Heat Shields</p> 		
---------------------------------------------------------------------------------------------------------------------------	--------------------------------------------------------------------------------------------------------------------------	--	--

Exhaust System GS
Figure 11-110

ITEM	PART NUMBER	QTY	LINE	SERIES	BODY	ENGINE	TRANS	TRIM	DESCRIPTION
------	-------------	-----	------	--------	------	--------	-------	------	-------------

NOTE:
Sales Codes:
ECB=2.0L 4CYL. SOHC 16V
EDZ=2.4L 4CYL. DOHC 16V
ENC=2.5 4CYL. TURBO DIESEL
EGA=3.3L V-6VMPI
EGH=3.8L V-6 MPI
ED0=ALL 2.4 & 2.5 4CYL. ENGINES
EN0=All 4CYL. Turbo Diesel Engines
EC0=All 2.0L 4CYL. Engines

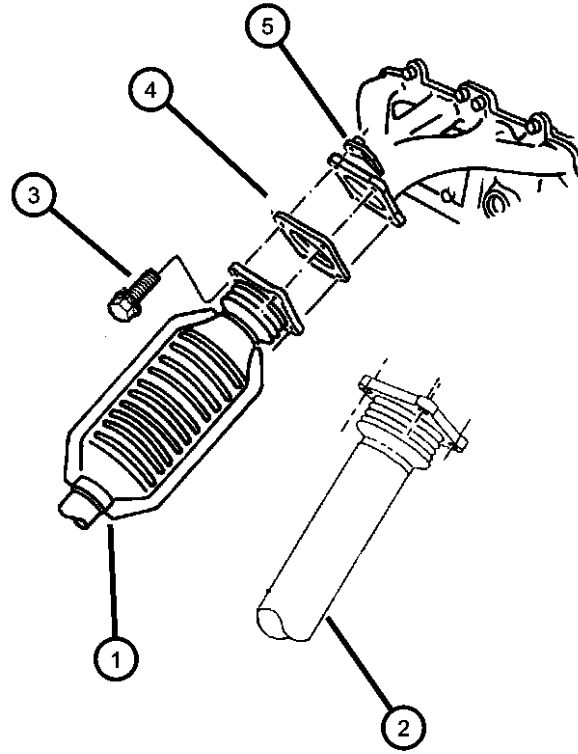


1									CONVERTER, Catalytic
	04486628	1	Y, Z		52	ECB			2.0 Engine
	04486629	1	Y, Z			EGA			3.3 Engine
	E0056013								Mopar V-Line Alternative Part Direct Fit Converter
	04486634	1	Y		52	ED0			2.4 Engine
	E0056021								Mopar V-Line Alternative Part Direct Fit Converter
	04486638	1	C, U			EGH			3.8 Engine
	E0056013								Mopar V-Line Alternative Part Direct Fit Converter
	04486648	1	U			EGH			3.8 Engine
	04486649	1	Z			EGA			3.3 Engine
2									PIPE, Exhaust
	04486631	1	Y, Z			EN0			
	04486639	1				EG0			
3	06502059	1				EG0			BOLT AND WASHER, Self Taping Flange Head, M8x1.25x40.00
4									GASKET, Manifold To Exhaust Pipe
	04616671	1				EG0			
	E0031597								Mopar V-Line Alternative Part
		1	Y, Z			EN0			
	E0031597								Mopar V-Line Alternative Part
		1	Y, Z		52	ECB, ED0			
	E0031597								Mopar V-Line Alternative Part
5									NUT, Hex Flange, M8x1.25
	04682810	4				EG0			
		4				ECB, ED0			
		4	Y, Z			EN0			
6	06101283	1							U-NUT, M8x1.25
7	06502998	1							BOLT
8	04486615	1							CLAMP, Exhaust
9	04486643	1							HANGER, Exhaust
10	04486642	1							HANGER, Exhaust
11	04809066	1							HANGER, Exhaust
12	04809106	1							INSULATOR, Exhaust

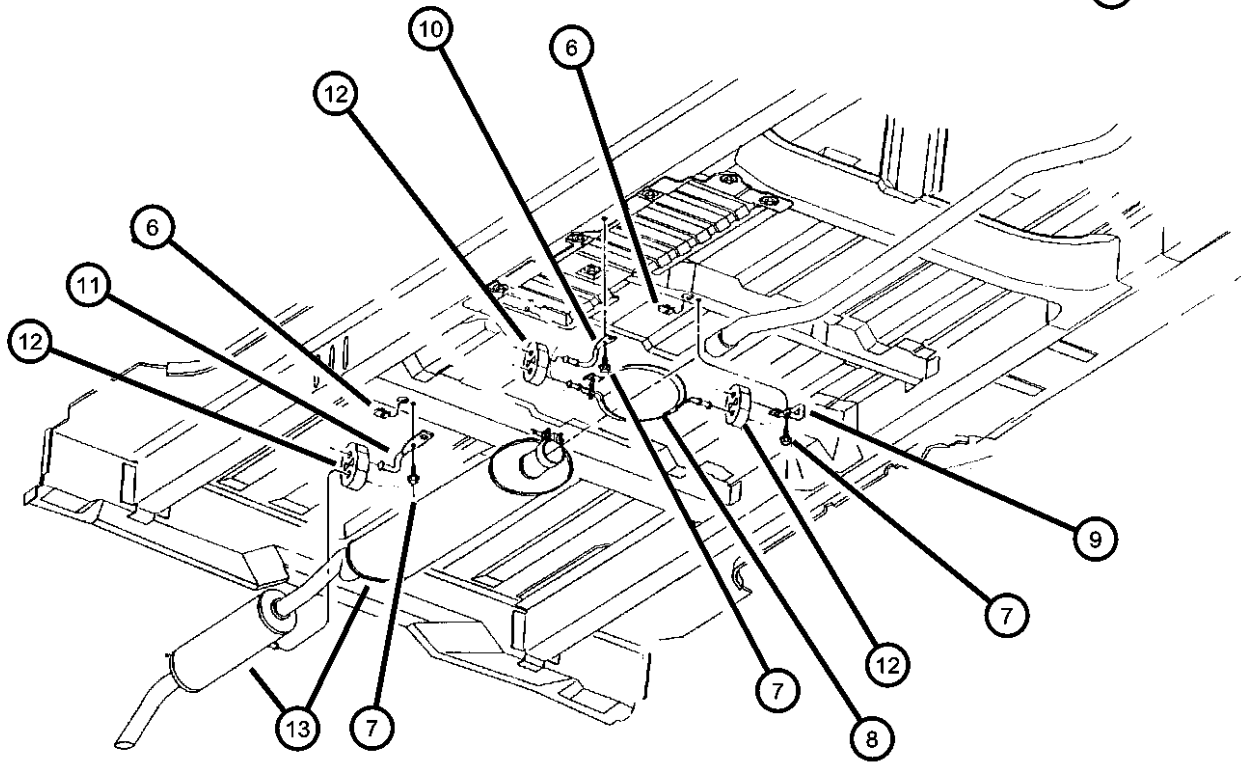
AR = use ase required - = Non illustrated part

Exhaust System GS
Figure 11-110

ITEM	PART NUMBER	QTY	LINE	SERIES	BODY	ENGINE	TRANS	TRIM	DESCRIPTION
------	-------------	-----	------	--------	------	--------	-------	------	-------------

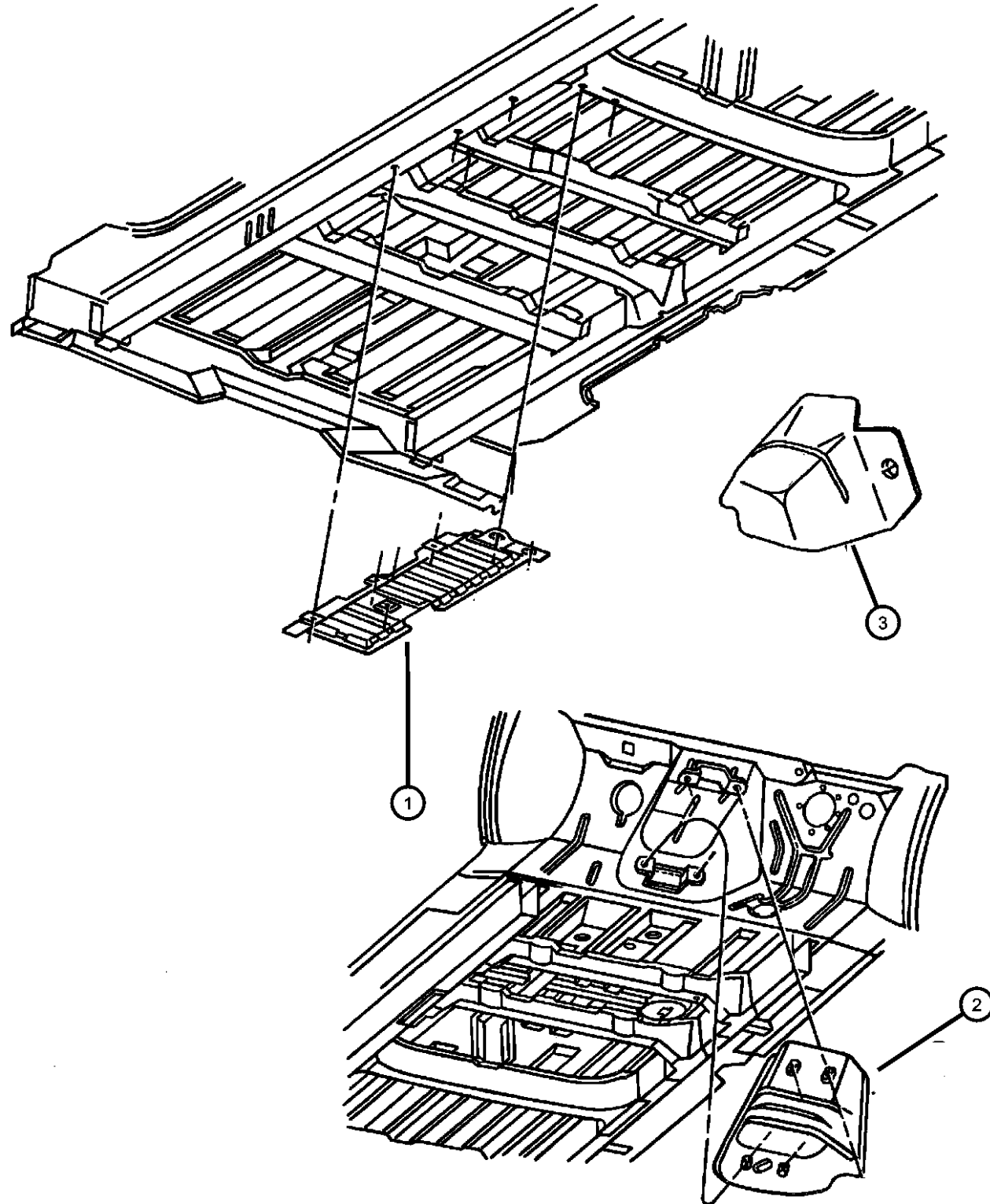


13									MUFFLER AND RESONATOR, Exhaust
	04486620	1	Y, Z		52	EC0, ED0			2.0 - 2.4 Engine
	04486622	1			52	EG0			
	04486623	1			53	EG0			
	04486632	1	Y		52	EN0			Diesel 52
	04486633	1	Y		53	EN0			Diesel 53



AR = use ase required - = Non illustrated part

Heat Shields GS
Figure 11-210



ITEM	PART NUMBER	QTY	LINE	SERIES	BODY	ENGINE	TRANS	TRIM	DESCRIPTION
NOTE: Sales Codes: EC0=All 2.0L 4CYL. Engines ED0=All 2.4L & 2.5L Engines EG0=All 3.3L & 3.8L Engines ECB=2.0L 4CYL. SOHC 16V EGA=3.3L V-6 MPI EGH=3.8L V-6 MPI DGL=4 Speed Automatic									
1									SHIELD, Heat
	04682408	1	Y, Z		53	EC0, ED0, EGA			
	04682410	1	C, U		53	EGH			
	04682422	1	Y		52	EC0, ED0, EGA			
	04694743	1	U						
		1	Z						
2	04682544	1	U, Z			ECB, ED0, EG0			SHIELD, Heat
3									SHIELD, Engine Mount
	04612908	1					DGL		Automatic
	04612938	1					DD3, DDF		Manual

AR = use ase required - = Non illustrated part

Group - 13

Frames and Bumpers

Group - 13 Frames and Bumpers

Illustration Title

Group-Fig. No.

Frames

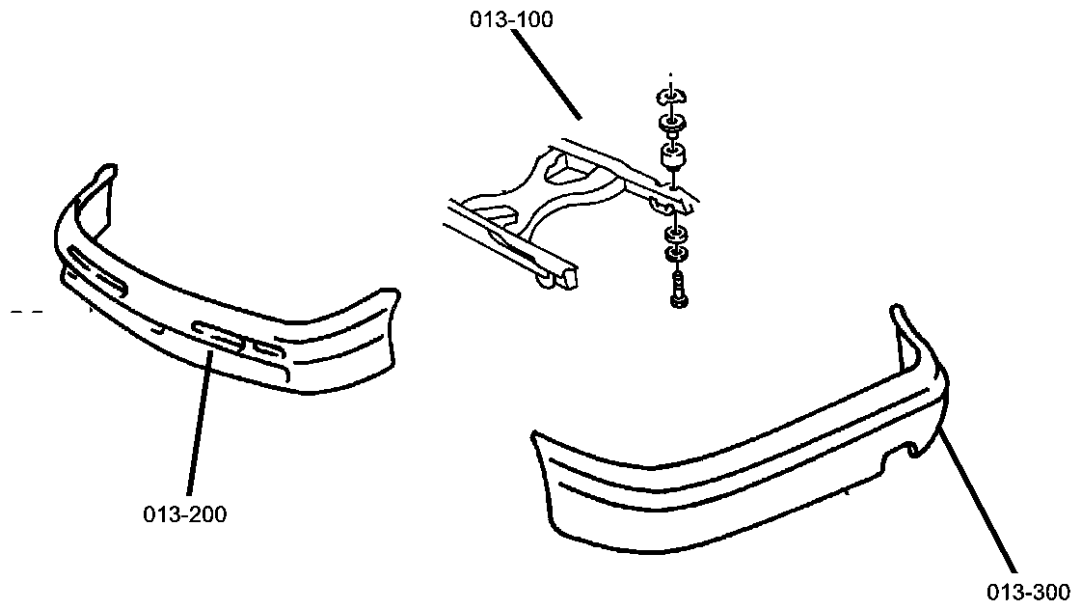
Frame, Front.....Fig. 13 - 133
 Frame, Rear.....Fig. 13 - 180

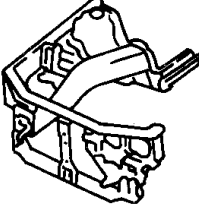
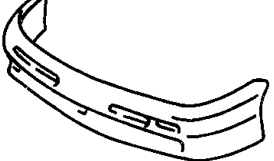

Front Bumper and Fascia

Fascia, Front.....Fig. 13 - 260

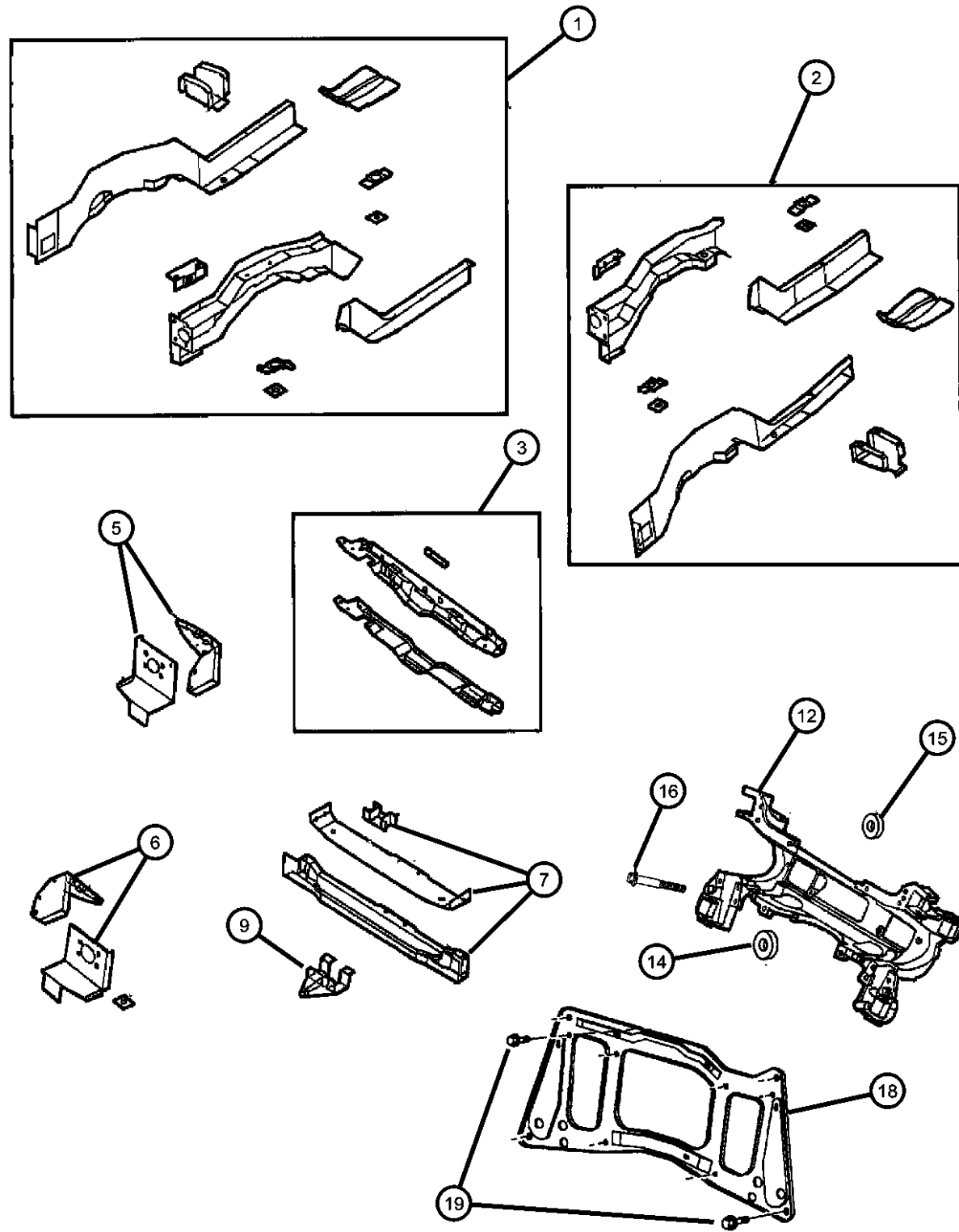
Rear Bumper and Fascia

Fascia, Rear.....Fig. 13 - 360



<p>013-100 Frames</p> 	<p>013-200 Front Bumper and Fascia</p> 	<p>013-300 Rear Bumper and Fascia</p> 	
----------------------------------------------------------------------------------------------------------------------	---------------------------------------------------------------------------------------------------------------------------------------	---------------------------------------------------------------------------------------------------------------------------------------	--

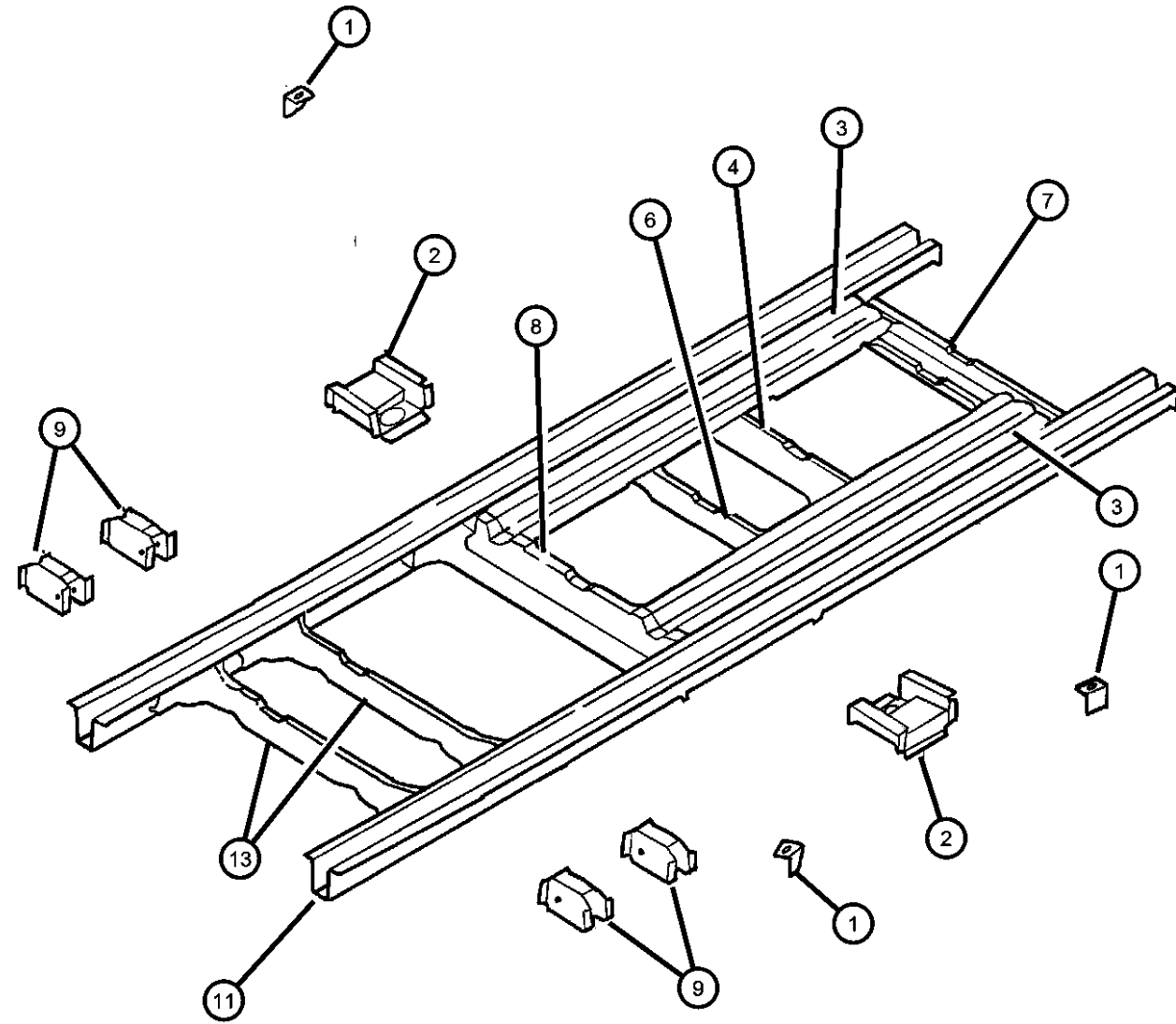
Frame, Front
Figure 13-133



ITEM	PART NUMBER	QTY	LINE	SERIES	BODY	ENGINE	TRANS	TRIM	DESCRIPTION
1	04716498	1							RAIL PACKAGE, Front
2	04716499	1							RAIL PACKAGE, Front
3	04860194	1							CROSSMEMBER, RadiatorUpper
-4	04676878	1							SUPPORT, Radiator Grille, 2.0L - 2.4L - 3.3L - 3.8L Engine
5	04886200AA	1							REINFORCEMENT PACKAGE, HeadlampRight
6	04886200AA	1							REINFORCEMENT, Headlamp Right
	04886201AA	1							Left
7	04716820	1							CROSSMEMBER, Radiator
-8	04677365	1							SEAL, Crossmember
9	04716726	1							HOOK, Tow
-10	04860269	1							HOOK, Tow, Spacer
-11	04860222	1							PLUGTow Hook
12	04694725	1							MODULE, Suspension Control
-13	04883262	1							INSERT, Heli-Coil Right
	04883263	1							Left
14	04684284	2							ISOLATOR, CradleRear, Upper
15	04684286	2							ISOLATOR, Cradle Upper, Right
	04684287	2							Lower, Left
16	06504593	4							SCREW AND WASHER, Hex Head, M14x2.00x125.00
-17	06502040	2							NUT, Hex Flange Lock, M14x2
18	04694854AB	1							REINFORCEMENT, Front Crossmember
19	06504013	9							SCREW AND WASHER, Hex Head, M14x2.0x55
-20	06502698	4							NUT

AR = use ase required - = Non illustrated part

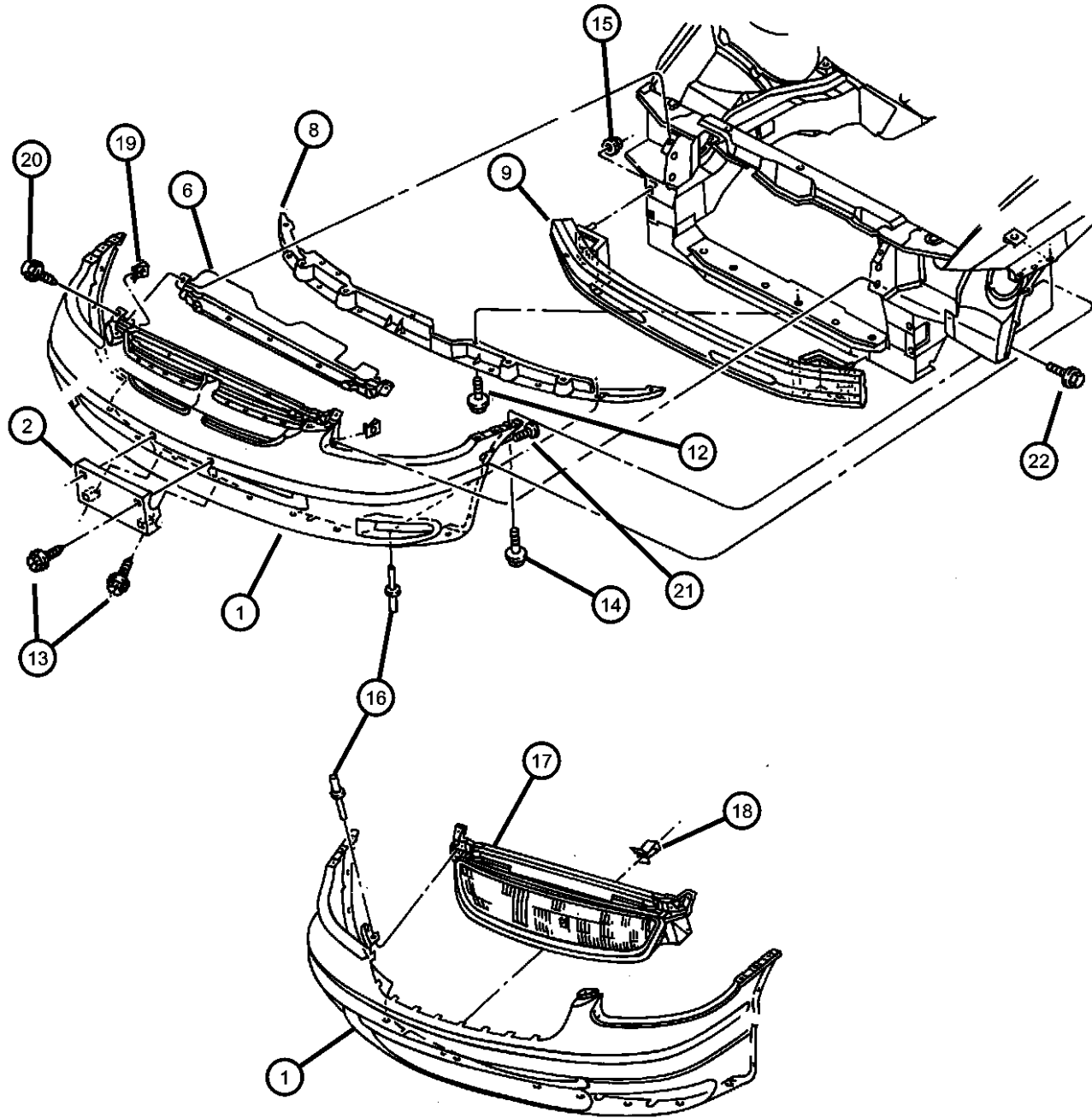
Frame, Rear
Figure 13-180



ITEM	PART NUMBER	QTY	LINE	SERIES	BODY	ENGINE	TRANS	TRIM	DESCRIPTION
1	04716378	4							REINFORCEMENT, Seat Belt Swivel
2	04860316AB	2							BRACKET AND HINGE, Floor Pan Rear Suspension
3									REINFORCEMENT, Seat Striker
	04674926	2			53				
	04716057	2			52				
4									CROSSMEMBER, Floor Pan
	04716674	1	Y, Z						
	04716675	1	C, U						
-5	04860232	2							REINFORCEMENT, Shock Absorber
6	04716377	1							CROSSMEMBER, Fuel Tank
7	04716595AB	1							CROSSMEMBER, Floor Pan
8									CROSSMEMBER, Floor Pan
	04716670	1	Y, Z		53				
	04716671	1	C, U		53				
	04716672	1	Y, Z		52				
	04716673	1	C, U		52				
9	04674501	1							REINFORCEMENT, Floor Pan Rail to Sill
-10	04716172	1							REINFORCEMENT, Sill
11									RAIL, Rear Floor Pan Side
	04860252AB	2			52				
	04860253AC	2			53				
-12	06101844	4							SCREW AND WASHER, Hex Head, M12x1.75x50
13	04860354	1							CROSSMEMBER, Floor Pan

AR = use ase required - = Non illustrated part

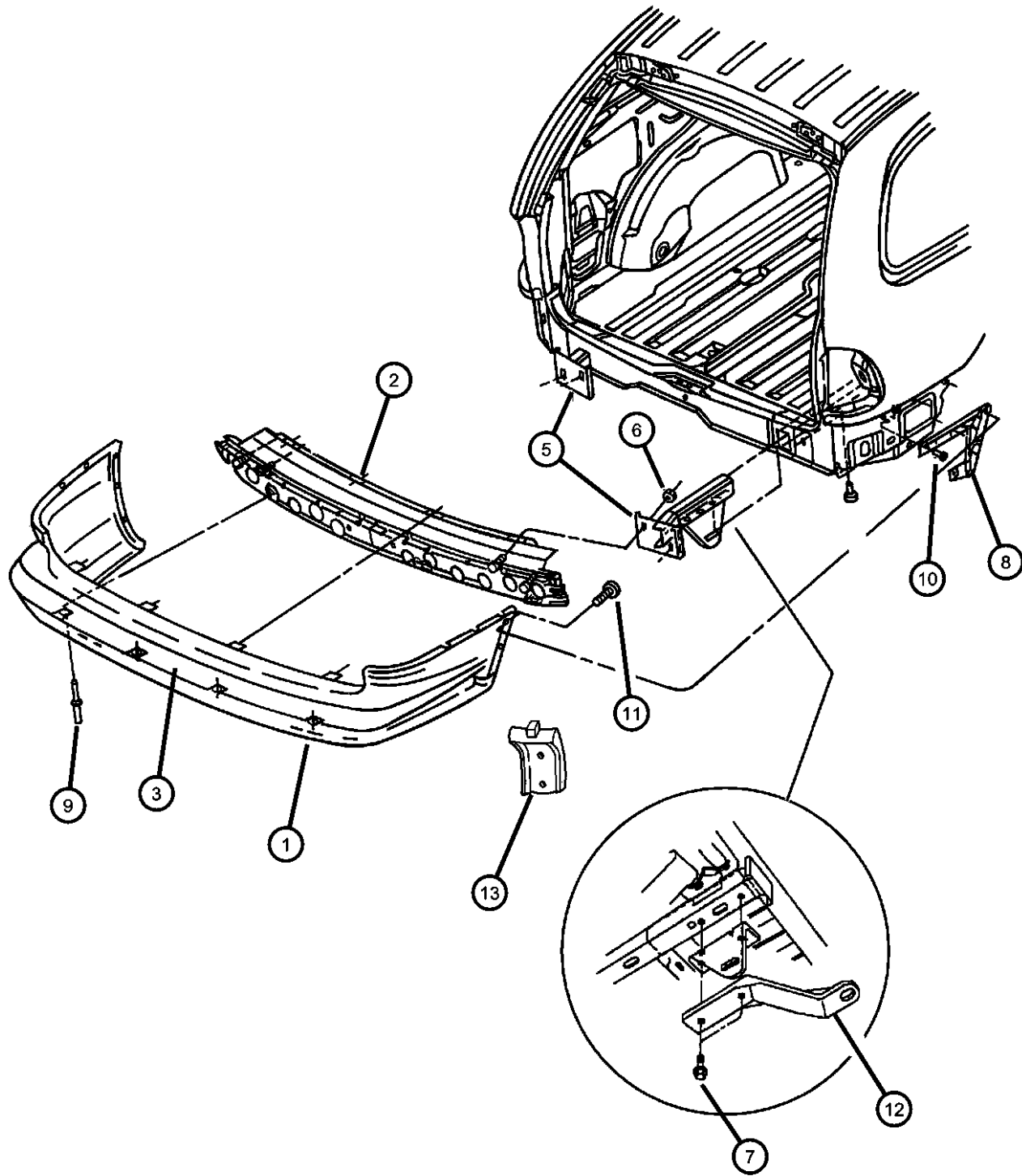
Fascia, Front
Figure 13-260



ITEM	PART NUMBER	QTY	LINE	SERIES	BODY	ENGINE	TRANS	TRIM	DESCRIPTION
1	04882839	1							FASCIA, Front, Primed, Paint As Required
2									LICENSE PLATE KIT
	04270974	1							Middle East Equipment Group
	04576852	1							Attaching Pkg.
-3	04676316	1							LICENSE PLATE PACKAGE, Front License Plate, Dodge Premium, Middle East Equipment Group), Japan Equipment Group
-4	05288487	1							BRACKET, License Plate
-5	06036001AA	4							RIVET, Blind, .190 X 1.070
6									SUPPORT, Radiator Grille
	04676878	1							2.0L - 2.4L - 3.3L - 3.8L Engine
	04857054	1							Diesel Engine
-7	04676880	1							SEAL, Rad Grille Supt To A/C, 2.0L - 2.4L - 3.3L - 3.8L Engine
8	04676861	1							AIR DAM
9	04576560	1							REINFORCEMENT, Front Bumper
-10	04576687	1							ABSORBER, Front Energy
-11	06502586	3							RETAINER, Foam To Reinforcement
12	06502586	3							SCREW, M6x1x25, (NOT SERVICED)
13	06502586	3							SCREW, Serviced in License Plate Pkg., (NOT SERVICED)
14	06502586	3							SCREW, M5x.8x20, (NOT SERVICED)
15	06502337	4							NUT, M10x1.5
16	06501916	4							RETAINER, Push On
17	04576955	1							GRILLE, Panel
18	04676356	6							U-CLIP, Grille To Fascia
19	06101712	1							NUT, U, M6x1
20	06101712	1							SCREW, M6x1x25, (NOT SERVICED)
21	00153856	1							SCREW, Tapping, .19-16x.625
22	00153856	1							SCREW, M6x1x25, (NOT SERVICED)

AR = use ase required - = Non illustrated part

Fascia, Rear
Figure 13-360



ITEM	PART NUMBER	QTY	LINE	SERIES	BODY	ENGINE	TRANS	TRIM	DESCRIPTION
1									FASCIA, Rear
	0GK04SS5	1			52				
	0GN05SS5	1			53				
2	04576608	1							REINFORCEMENT, Rear Bumper
3	04270974	1							LICENSE PLATE KIT
4	06035883	4							SCREW, Hex Flange Head, .25-14x1.00
5									EXTENSION, Rear Rail
	04676282	1							Right
	04676283	1							Left
6	06501766	4							NUT AND WASHER, Hex Nut-Coned Washer, M8 x 1.25
7	06501766	4							SCREW AND WASHER, Hex Head, M12x1.75x40, (NOT SERVICED)
8									RETAINER, Fascia
	04676342	1			53				Right
	04676343	1			53				Left
	04676348	1			52				Right
	04676349	1			52				Left
9	06501916	4							RETAINER, Push On
10	06501916	4							SCREW, Ovla Head, .190-24x.880, (NOT SERVICED)
11	06501916	4							SCREW, Hex Head, M4.8-1.59x19, (NOT SERVICED)
12	04716624	1							BRACKET, Tie Down
13	04676973	2							BRACKET, Fascia

AR = use ase required - = Non illustrated part

Group - 14

Fuel

Group - 14 Fuel

Illustration Title

Group-Fig. No.

Tank, Fuel

Fuel Tank GS Fig. 14 - 110

Fuel Tank Filler Tube

Filler Tube GS Fig. 14 - 210

Fuel Lines

Fuel Lines GS Diesel (ENC) Fig. 14 - 310

Fuel Lines & Filter GS Fig. 14 - 320

Fuel Rail

Fuel Rail GS 2.0L-2.4L Engine (ECB-EDZ) Fig. 14 - 410

Fuel Rail GS 3.3L-3.8L Engine (EGA-EGH) Fig. 14 - 420

Fuel Pump and Sending Unit

Fuel Injection Plumbing GS (ENC) Fig. 14 - 510

Fuel Injection Pump GS Diesel (ENC) Fig. 14 - 520

Fuel Pump and Level Unit GS Fig. 14 - 530

Throttle Body

Throttle Body GS 2.0L-2.4L Engine (ECB-EDZ) Fig. 14 - 610

Throttle Body GS 3.3L-3.8L Engine (EGA-EGH) Fig. 14 - 620

Turbo Charger GS Diesel (ENC) Fig. 14 - 630

Throttle Controls

Throttle Controls GS Diesel (ENC) Fig. 14 - 710

Throttle Controls GS 2.0L-2.4L Engine (ECB-EDZ) Fig. 14 - 720

Throttle Controls GS 3.3L-3.8L Engine (EGA-EGH) Fig. 14 - 730

Air Cleaner

Air Cleaner and Hoses GS Diesel (ENC) Fig. 14 - 810

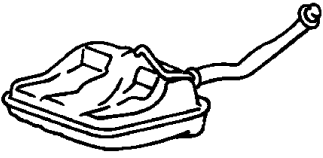
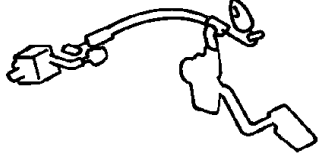

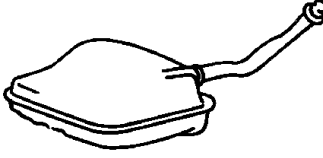

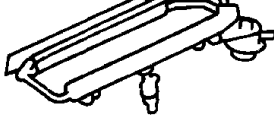
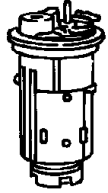

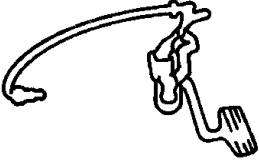
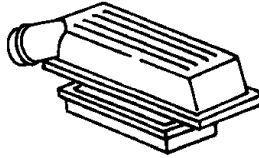
Air Cleaner GS (Exclude Diesel) Fig. 14 - 820

Speed Control

Speed Control GS Fig. 14 - 1010

Accelerator Pedal

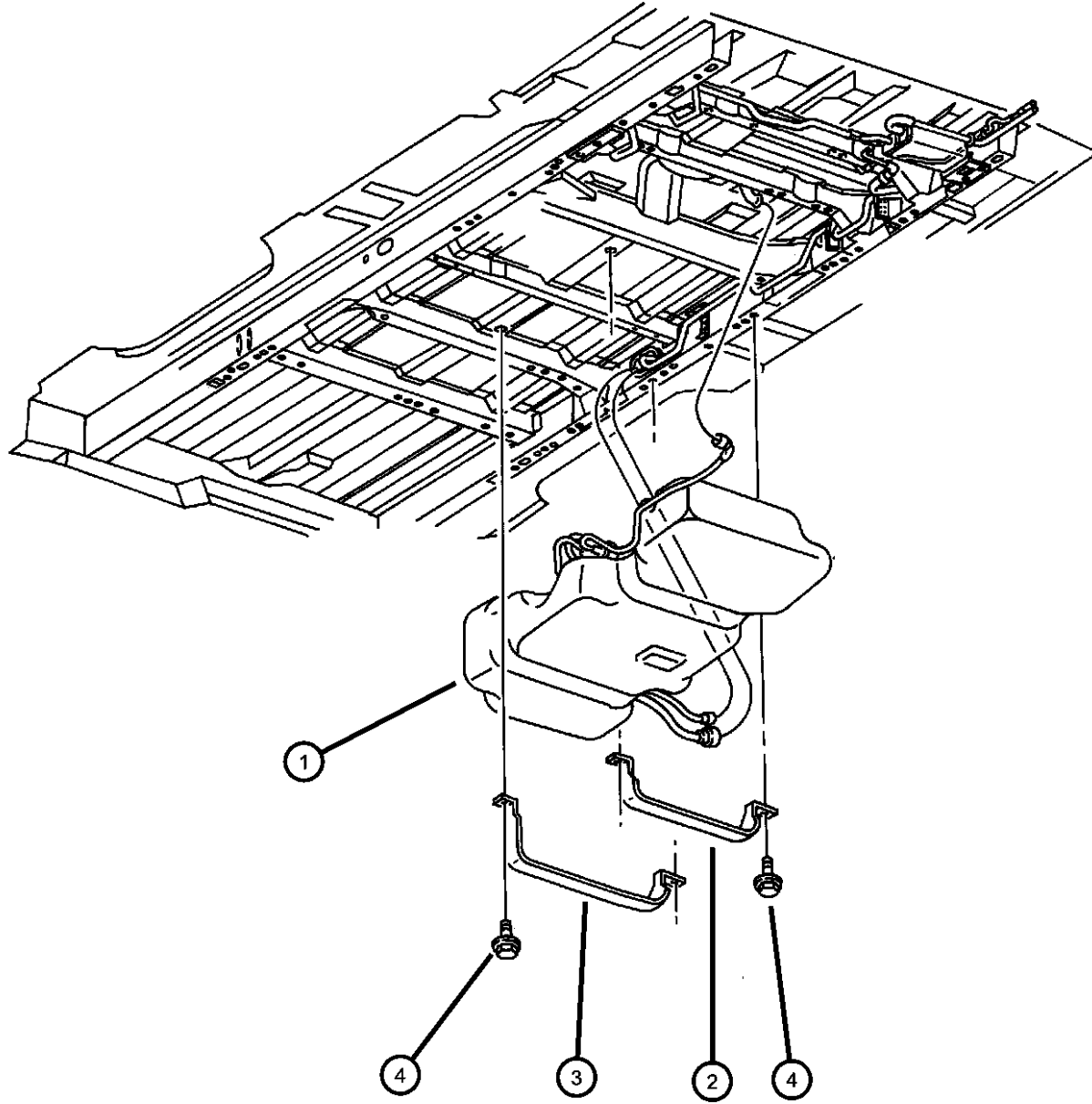
Accelerator Pedal GS Fig. 14 - 1110

<p>014-100 Tank, Fuel</p> 	<p>014-1000 Speed Control</p> 	<p>014-1100 Accelerator Pedal</p> 	<p>014-200 Fuel Tank Filler Tube</p> 
<p>014-300 Fuel Lines</p> 	<p>014-400 Fuel Rail</p> 	<p>014-500 Fuel Pump and Sending Unit</p> 	<p>014-600 Throttle Body</p> 
<p>014-700 Throttle Controls</p> 	<p>014-800 Air Cleaner</p> 		

Fuel Tank GS
Figure 14-110

ITEM	PART NUMBER	QTY	LINE	SERIES	BODY	ENGINE	TRANS	TRIM	DESCRIPTION
------	-------------	-----	------	--------	------	--------	-------	------	-------------

NOTE:
Sales Codes:
EN0=All 4 CYL. Turbo Diesel Engines
EG0=All 3.3L & 3.8L V-6 Engines
EC0=All 2.0L 4 CYL. Engines
ED0=All 2.4L 4 CYL/ Engines



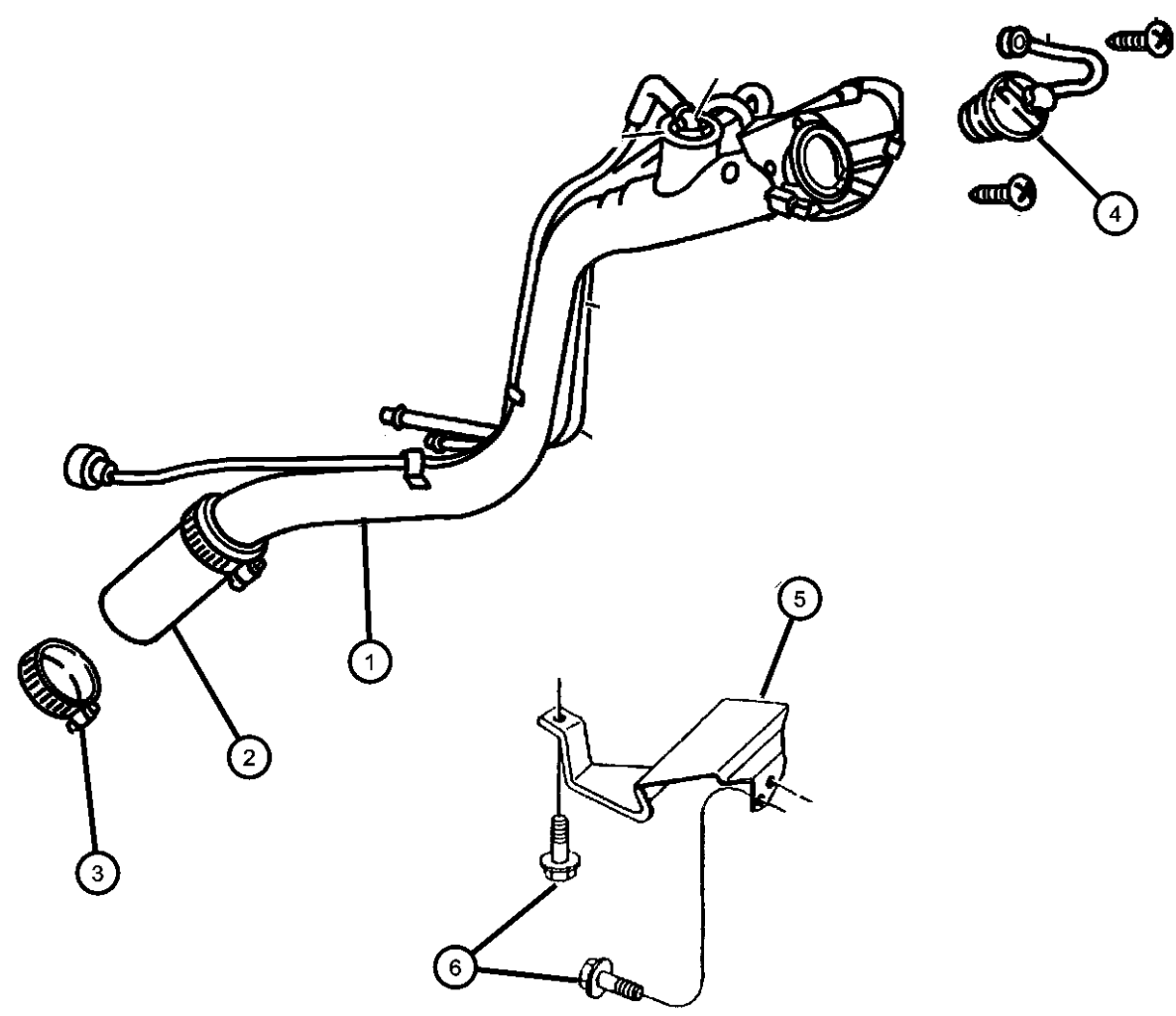
1	04874102	1				EC0, ED0, EG0 EN0			TANK, Fuel
		1							
2	04809007	1			53				STRAP, Fuel Tank
	04809008	1			52				
3	04809006	1							STRAP, Fuel Tank
4	06503858	4							SCREW AND WASHER, Hex Head, M10x1.50x35
-5	04886214AA	4			53				SPACER, Fuel Tank Strap
		4			52				

AR = use ase required - = Non illustrated part

Filler Tube GS
Figure 14-210

ITEM	PART NUMBER	QTY	LINE	SERIES	BODY	ENGINE	TRANS	TRIM	DESCRIPTION
------	-------------	-----	------	--------	------	--------	-------	------	-------------

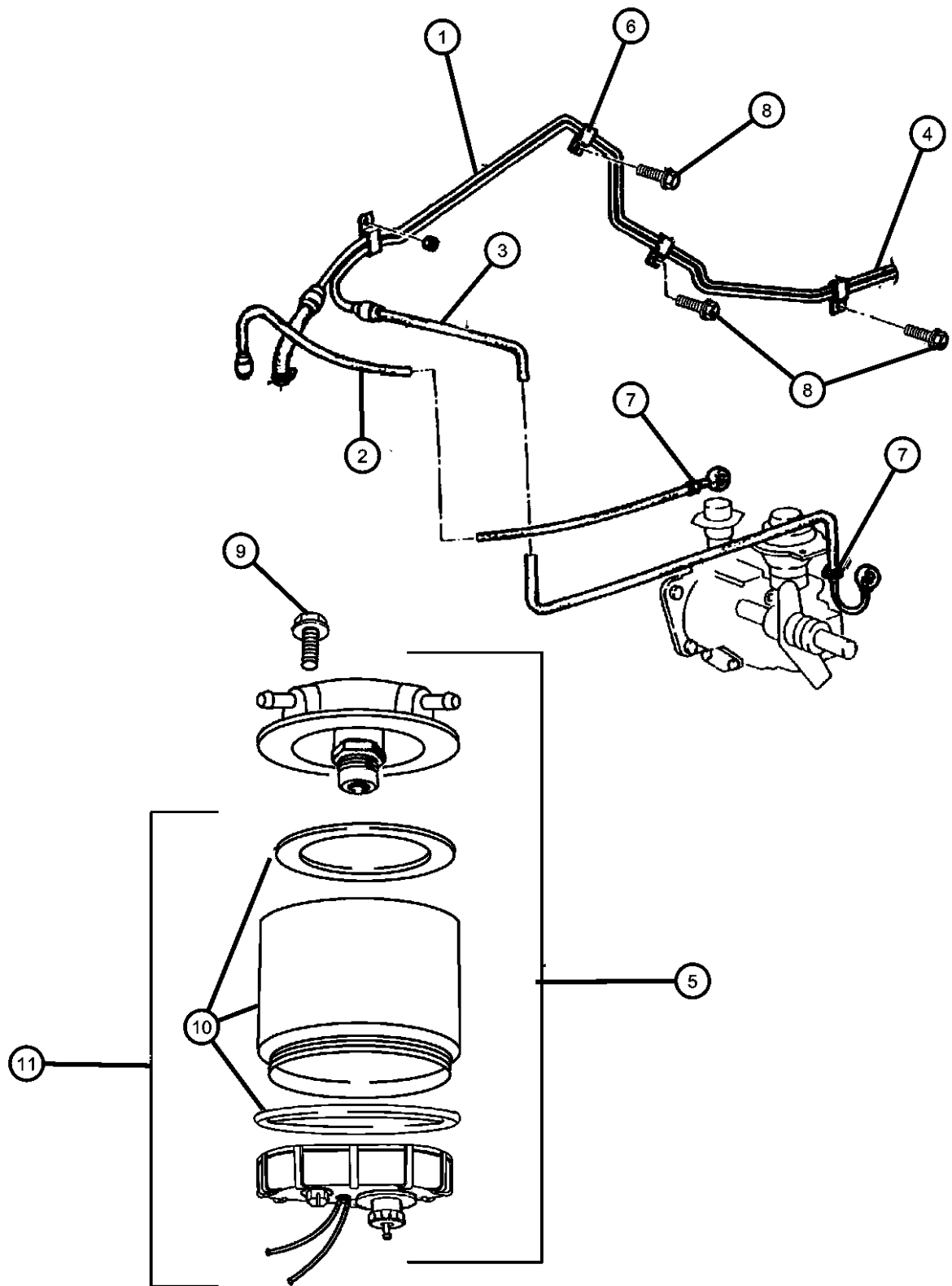
NOTE:
Sales Codes:
EC0=ALL 2.0L 4 CYL ENGINES
ED0=ALL 2.4L 4CYL ENGINES
EG0=ALL 3.3L & 3.8L V-6 ENGINES
EN0=ALL 4CYL. TURBO DIESEL ENGINES
EGA=3.3L V-6 ENGINE
ABD=MIDDLE EAST EQUIPMENT GROUP



1									TUBE, Fuel Filler
	04809891	1			52	EC0, ED0, EG0			w/Out ABD
	04809892	1			53	ED0, EG0			w/Out ABD
	04809893	1			52	EN0			Diesel
		1			52	EGA			w/ABD
	04809894	1			53	EN0			Diesel
		1			53	EGA			w/ABD
2	04682733	1			52	EGA			HOSE, Fuel Filler
3	06502091	1							CLAMP, Hose
4	82400806	1							CAP, Fuel Filler
5	04682776	1							RETAINER, Spring to Fuel Filler
6	00154554	8				EC0, ED0, EG0			SCREW, Self Piercing, .25-14x.625
-7	04495130	1							SLEEVE, Fuel Filler Vent Hose

AR = use ase required - = Non illustrated part

Fuel Lines GS Diesel (ENC)
Figure 14-310



ITEM	PART NUMBER	QTY	LINE	SERIES	BODY	ENGINE	TRANS	TRIM	DESCRIPTION
1	04682982	1				EN0			TUBE, Fuel Supply
2	04682983	1				EN0			TUBE, Fuel Supply
3	04682984	1				EN0			TUBE, Fuel Return
4									BUNDLE, Fuel Line
	04682970	1				EN0			
	04682973	1			52	EN0			
	04682979	1			53	EN0			
5	04682514	1				EN0			FILTER, Fuel
6	04682510	2				EC0, ED0, EG0			CLIP, Tube Attaching
7	06502082	4				EN0			CLAMP, Oil Cooler Line
8	00154554	5				EN0			SCREW, Self Piercing, .25-14x.625
9	06101828	3							SCREW, Hex Flange Head
10	04798166	1				EN0			FILTER, Fuel
11	04798167	1				EN0			BOWL, Fuel Filter
-12	04863796	1				ENC			SEPERATOR, Oil
-13	04809056	1							CLIP, 9x24

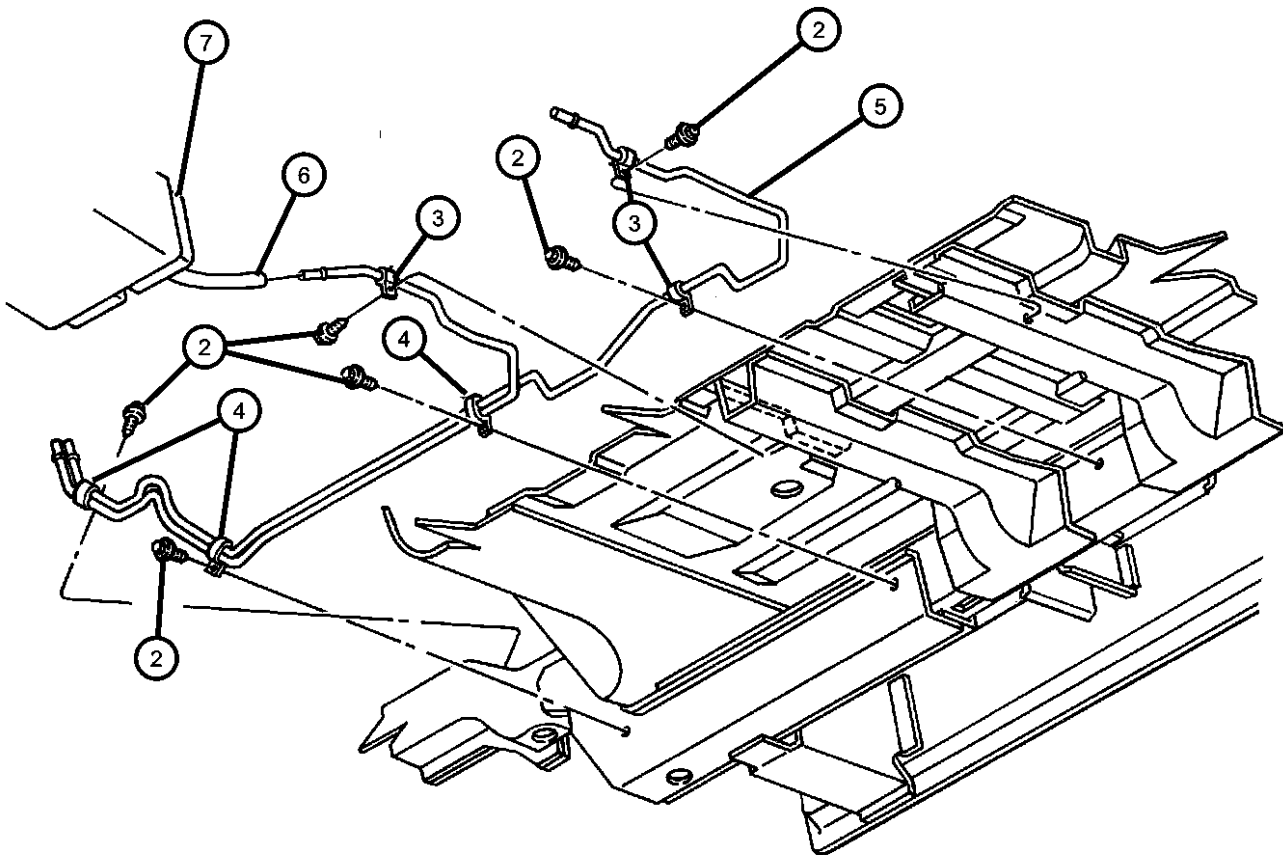
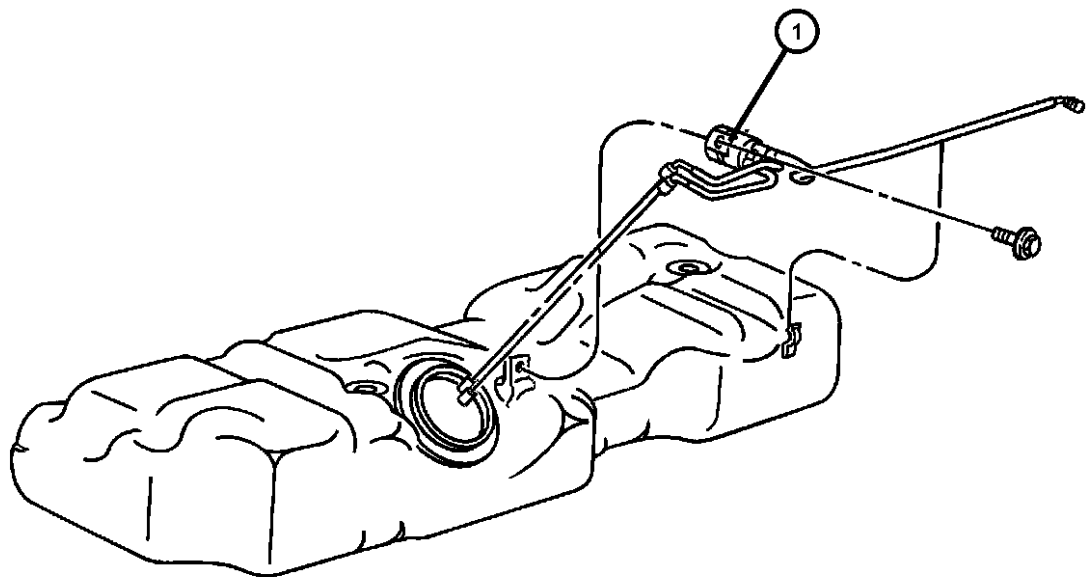
NOTE:
Sales Codes:
ENC=2.5L 4CYL. TURBO DIESEL
EC0=ALL 2.0L 4CYL. ENGINES
ED0=ALL 2.4L 4CYL ENGINES
EG0=ALL 3.3L & 3.8L V-6 ENGINES
EN0=ALL 2.5L 4CYL. TURBO DIESEL ENGINES

AR = use ase required - = Non illustrated part

Fuel Lines & Filter GS
Figure 14-320

ITEM	PART NUMBER	QTY	LINE	SERIES	BODY	ENGINE	TRANS	TRIM	DESCRIPTION
------	-------------	-----	------	--------	------	--------	-------	------	-------------

NOTE:
Sales Codes:
ECB=2.0L 4CYL. SOHC 16V
EGA=3.3L V-6 MPI
EGH=3.8L V-6 MPI
EG0=ALL 3.3L & 3.8L V-6 ENGINES
EC0=ALL 2.0L ENGINES
ED0=ALL 2.4L ENGINES
EGA=3.3L V-6 MPI
EGH=3.8 V-6 MPI
EDZ=2.4L DOHC 16V
52=SHORT WHEEL BASE
53=LONG WHEEL BASE



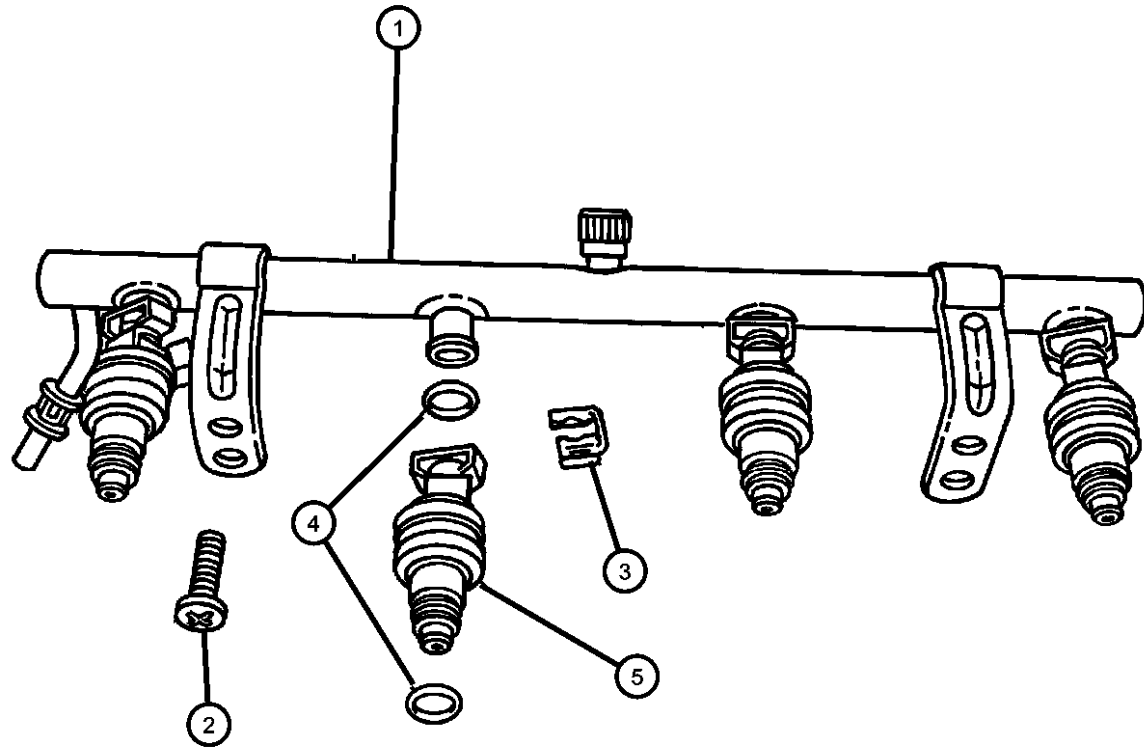
1									FILTER, Fuel
	04809117	1			52	EC0, ED0, EG0			
	04809118	1			53	ED0, EG0			
2	00154554	5				EN0			SCREW, Self Piercing, .25-14x.625
3	04682632	3				ED0, EG0			CLIP, Tube Attaching
4	04682510	2				EC0, ED0, EG0			CLIP, Tube Attaching
5	04682779	1				EC0, EDZ, EGA, EGH			TUBE, Fuel Supply
6	04682672	1	C, U						CLIP, Tube
7	05281263	1				ECB, EDZ, EGA, EGH			CANISTER, Vapor
-8									TUBE, Fuel Vapor
	04809326	1			53	ED0, EG0			53
	04809443	1			52	EC0, ED0, EG0			52
-9	04809056	1							CLIP, 9x24
-10									HOSE, Fuel And Vapor, 25 Foot Roll 5/16"
	HFV00516	1				EGA			
		1				EGH			
		3				EDZ			
		1				ECB			

AR = use ase required - = Non illustrated part

Fuel Rail GS 2.0L-2.4L Engine (ECB-EDZ)
Figure 14-410

ITEM	PART NUMBER	QTY	LINE	SERIES	BODY	ENGINE	TRANS	TRIM	DESCRIPTION
------	-------------	-----	------	--------	------	--------	-------	------	-------------

NOTE:
Sales Codes:
ECB=2.0L 4CYL. SOHC 16V
EGA=3.3L V-6 MPI
EDZ=2.4L 4CYL. DOHC 16V
DD3=5 SPEED MANUAL TRANSMISSION
DGL=4 SPEED AUTOMATIC TRANSMISSION



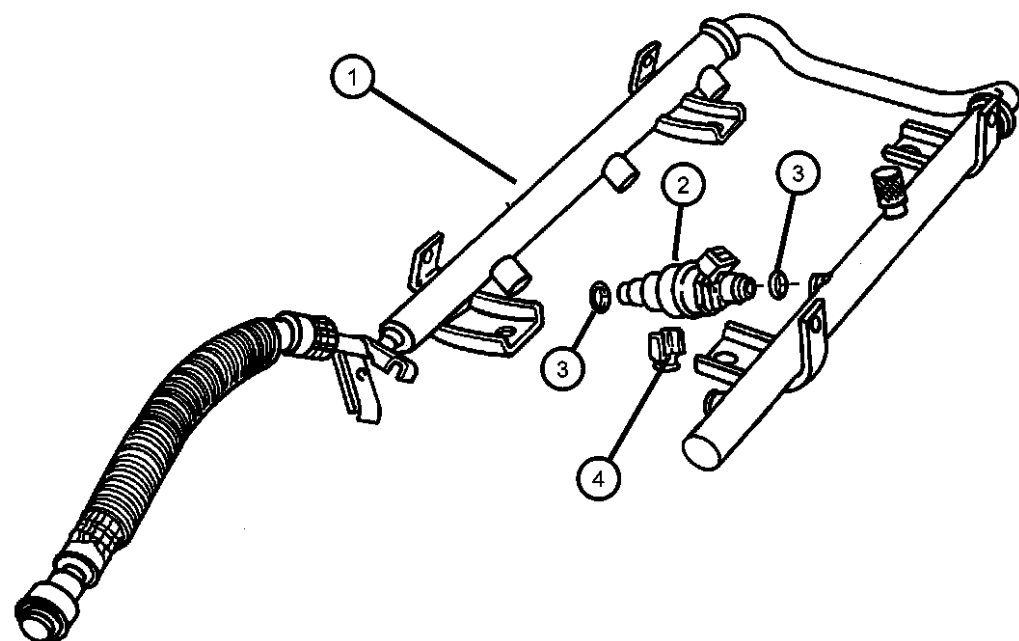
1	04798399	1				ECB			RAIL, Fuel
2	06101452	4				EGA			SCREW AND WASHER, Hex Head, M8x1.25x20
3	04418257	4				ECB			CLIP, Fuel Injector
4									O RING KIT, Fuel Injector
	05277919	4				ECB			
		4				EDZ	DD3		
		4				EDZ	DGL		
5									INJECTOR, Fuel
	04669471	4				ECB			
	05277739	4				EDZ	DD3		
-6	04612736	1				ECB			HOSE, Fuel
-7	04762643	1				ECB			RETAINER PACKAGE, Quick Connect
-8	04762643	1							O RING KIT, Fuel Pressure Regulator, (NOT REQUIRED)

AR = use ase required - = Non illustrated part

Fuel Rail GS 3.3L-3.8L Engine (EGA-EGH)
Figure 14-420

ITEM	PART NUMBER	QTY	LINE	SERIES	BODY	ENGINE	TRANS	TRIM	DESCRIPTION
------	-------------	-----	------	--------	------	--------	-------	------	-------------

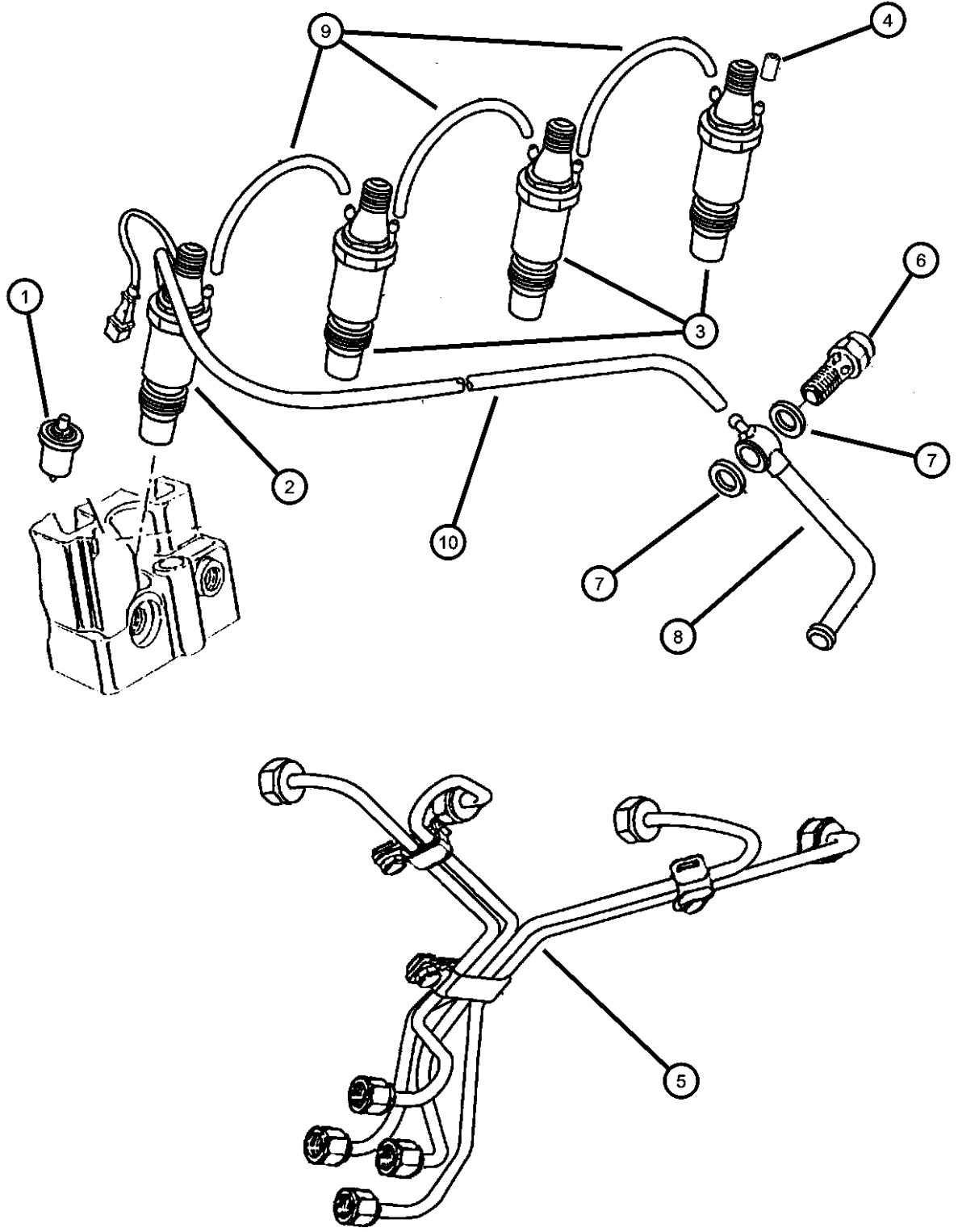
NOTE:
Sales Codes:
EGA=3.3L V-6 MPI
EGA=3.8L V-6 MPI



1									RAIL, Fuel
	04612217	1				EGA			
		1				EGH			
2									INJECTOR, Fuel
	04612402	6				EGA			
		6				EGH			
3									O RING KIT, Fuel Injector
	04504348	6				EGA			
		6				EGH			
4									CLIP, Fuel Injector
	04612196	6				EGA			
		6				EGH			
-5									SCREW, Hex Flange Head
	06501586	8	C			52			
		8	C			53			
-6		8							HOSE & CONNECTOR, Fuel Rail to Chassis, (NOT REQUIRED)
-7		8							O RING KIT, Fuel Pressure Regulator, (NOT REQUIRED)

AR = use ase required - = Non illustrated part

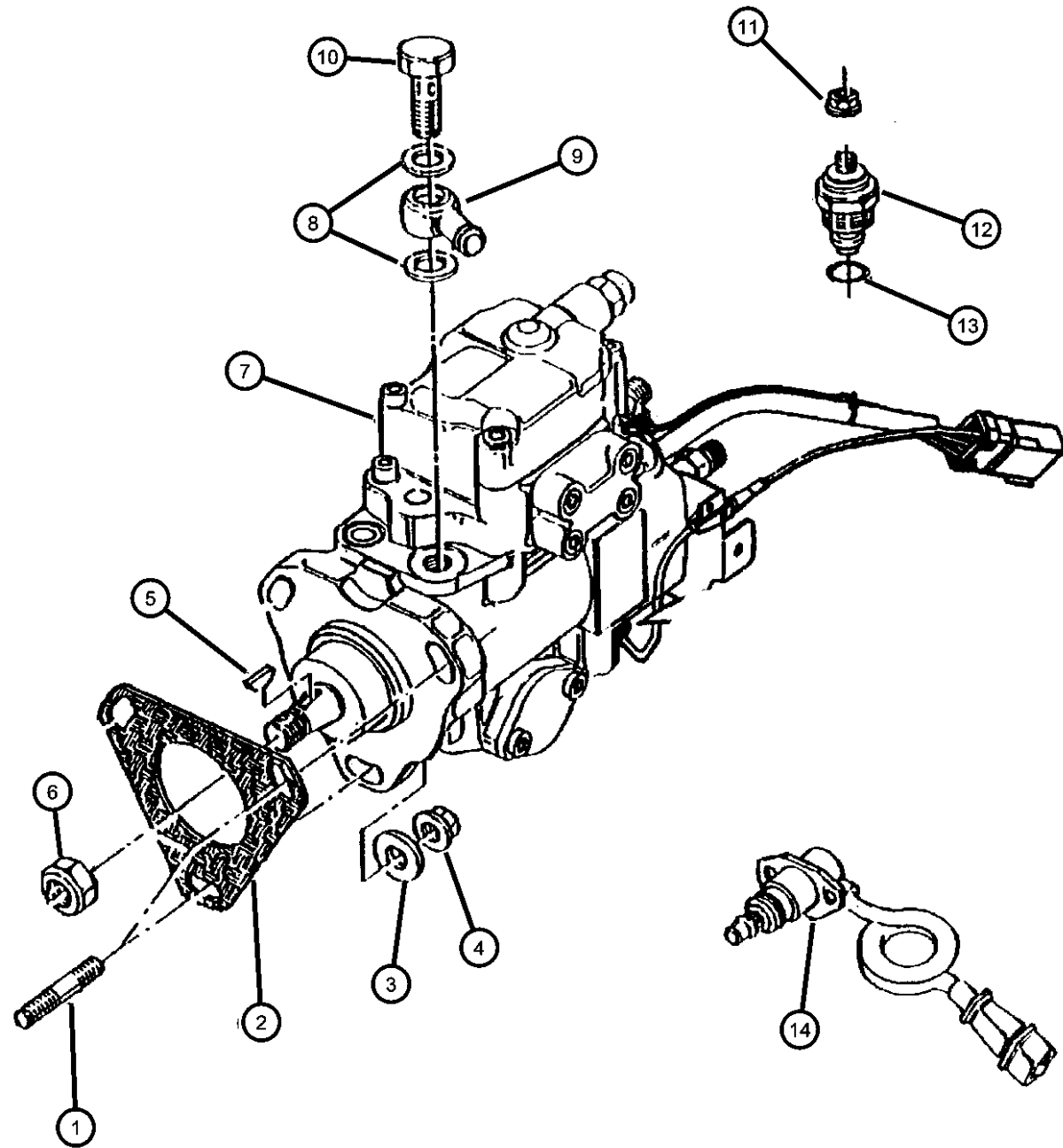
Fuel Injection Plumbing GS (ENC)
Figure 14-510



ITEM	PART NUMBER	QTY	LINE	SERIES	BODY	ENGINE	TRANS	TRIM	DESCRIPTION
ENC=2.5L 4CYL. TURBO DIESEL									
1	04723346	4				ENC			NOZZLE, Fuel Injector
2	04883403AA	1				ENC			INJECTOR, Fuel
3	04720171	3				ENC			INJECTOR, Fuel
4	04720197	1				ENC			PLUG, Cylinder Block Oil Hole
5	04864692	1				ENC			TUBE, Fuel Injector Supply
6	04874444	1				ENC			VALVE, Flow Control
7	04720703	7				ENC			WASHER, Plain
8	04882622	1				ENC			UNION
9	04720189	1				ENC			PIPE, Fuel Spill Return
10	04720190	1				ENC			PIPE, Fuel Spill Return

AR = use ase required - = Non illustrated part

Fuel Injection Pump GS Diesel (ENC)
Figure 14-520



ITEM	PART NUMBER	QTY	LINE	SERIES	BODY	ENGINE	TRANS	TRIM	DESCRIPTION
------	-------------	-----	------	--------	------	--------	-------	------	-------------

NOTE:
Sales Codes:
ENC=2.5L 4CYL. TURBO DIESEL

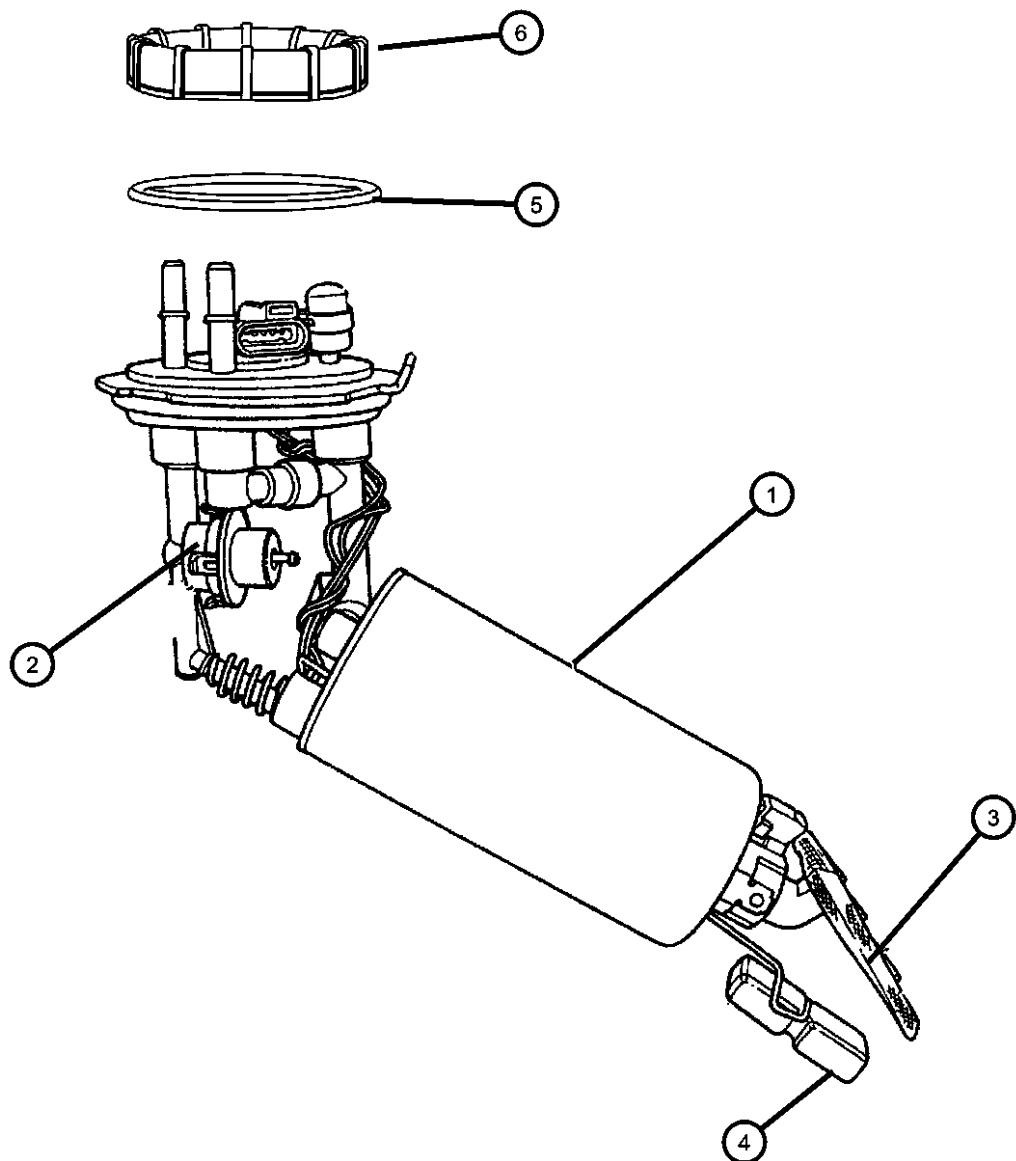
1	04723241	11				ENC			STUD
2	04720196	1				ENC			GASKET, Injection Pump
3	04720193	7				ENC			WASHER, Flat
4	04778961	26				ENC			NUT
5	04720198	1				ENC			KEY, Fuel Injection Pump
6	04883402AA	1				ENC			NUT
7	04883404AA	1				ENC			PUMP, Fuel Injection
8	04720703	7				ENC			WASHER, Plain
9	04882623	1				ENC			BOLT, Banjo
10	04720367	2				ENC			BOLT, Banjo
11	04778996	1				ENC			NUT, Injection Pump Bracket
12	04723264	1				ENC			SOLENOID, Fuel Shut Off Valve
13	04723266	1				ENC			O RING, Fuel Solenoid
14	04797786	1				ENC			ADVANCE, Automatic Injection

AR = use ase required - = Non illustrated part

Fuel Pump and Level Unit GS
Figure 14-530

ITEM	PART NUMBER	QTY	LINE	SERIES	BODY	ENGINE	TRANS	TRIM	DESCRIPTION
------	-------------	-----	------	--------	------	--------	-------	------	-------------

NOTE:
Sales Codes:
EN0=ALL 4CYL. TURBO DIESEL ENGINES
EC0=ALL 2.0L 4CYL. ENGINES
ED0=ALL 2.4L 4CYL. ENGINES
EG0=ALL 3.3L & 3.8L V-6 ENGINES



1									MODULE KIT, Fuel Pump/Level Unit Diesel
	04864907	1				EN0			
	04897424AA	1				EC0, ED0, EG0			
2	04796083	1				EC0, ED0, EG0			REGULATOR KIT, Fuel Pressure
3									FILTER KIT, Fuel
	04778226	1				EC0, ED0, EG0			
	04797619	1				EN0			
4									LEVEL UNIT KIT, Fuel
	04797281	1				EC0, ED0, EG0			
		1				EN0			
5									O RING, Fuel Pump and Level Unit
	04695227	1				EN0			
		1				EC0, ED0, EG0			
6									NUT, Fuel Pump Level Unit
	04695226	1				EN0			
		1				EC0, ED0, EG0			

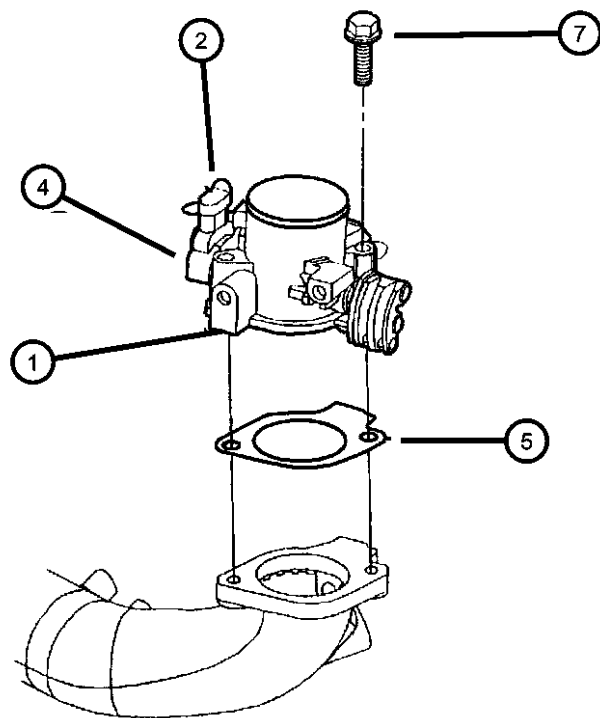
AR = use ase required - = Non illustrated part

Throttle Body GS 2.0L-2.4L Engine (ECB-EDZ)

Figure 14-610

ITEM	PART NUMBER	QTY	LINE	SERIES	BODY	ENGINE	TRANS	TRIM	DESCRIPTION
------	-------------	-----	------	--------	------	--------	-------	------	-------------

NOTE:
 Sales Codes:
 ECB=2.0L 4CYL. SOHC 16V
 EDZ=2.4L 4CYL. DOHC 16V
 DD3=5 SPEED MANUAL TRANSMISSION
 DGL=4 SPEED AUTOMATIC TRANSMISSION



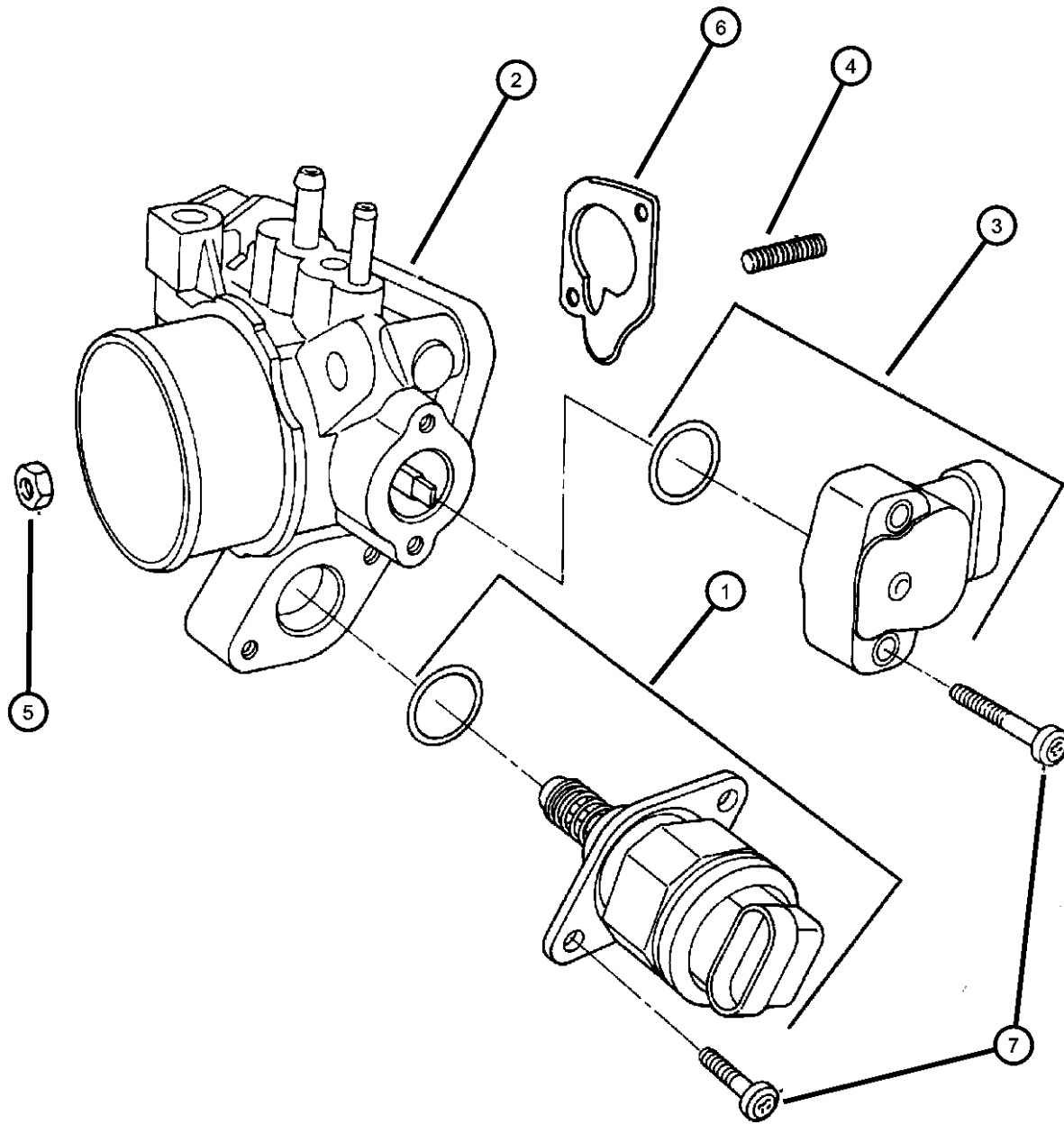
1									THROTTLE BODY
	04612279	1				EDZ	DD3		
	04669803	1				ECB			
2	04874430	1				ECB			SENSOR KIT, Throttle Position
-3	04686156	1				EDZ	DD3, DGL		SENSOR, Throttle Position
4									MOTOR, A.I.S.
	04612740	1				EDZ	DD3, DGL		
	04796503	1				ECB			
5	04300071	1				EDZ			GASKET, Throttle Body To Intake
-6	04667360	1				ECB			GASKET, Throttle Body
7	06502675	2				EDZ			SCREW AND WASHER, Hex Head, M8x1.25x65
-8	06502675	2							SCREW AND WASHER, Hex Head, M8x1.25x55, (NOT REQUIRED)
-9	06502675	2							O RING, Throttle Body, (NOT REQUIRED)

AR = use ase required - = Non illustrated part

**Throttle Body GS 3.3L-3.8L Engine (EGA-EGH)
Figure 14-620**

ITEM	PART NUMBER	QTY	LINE	SERIES	BODY	ENGINE	TRANS	TRIM	DESCRIPTION
------	-------------	-----	------	--------	------	--------	-------	------	-------------

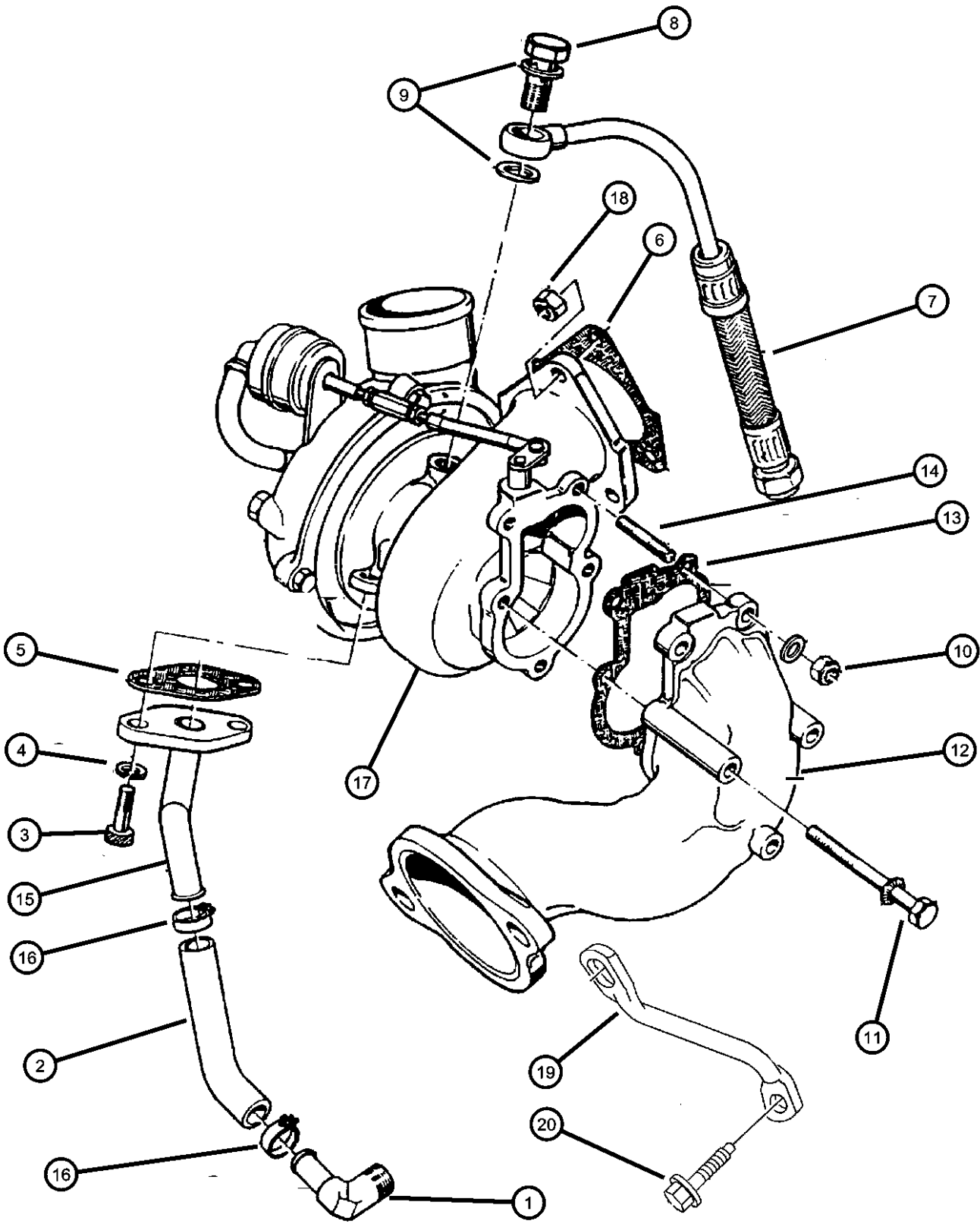
NOTE:
Sales Codes:
EGA=3.3L V-6 MPI
EGH=3.8L V-6 MPI



1									MOTOR, A.I.S.
	04573367	1				EGA			
		1				EGH			
2	04612256	1				EGA			THROTTLE BODY
3	04759001	1				EGA			SENSOR, Throttle Position
4	06501951	2				EGA			STUD, M8-1.25x70
5	06101445	2				EGA			NUT AND WASHER, Hex Nut-Coned Washer, M8 x 1.25
6	04300071	1				EGA			GASKET, Throttle Body To Intake
7									SCREW AND WASHER, Hex Head, M8x1.25x65
	06101631	2				EGA			
		2				EGH			

AR = use ase required - = Non illustrated part

**Turbo Charger GS Diesel (ENC)
Figure 14-630**



ITEM	PART NUMBER	QTY	LINE	SERIES	BODY	ENGINE	TRANS	TRIM	DESCRIPTION
------	-------------	-----	------	--------	------	--------	-------	------	-------------

NOTE:
Sales Codes:
ENC=2.5L 4CYL. TURBO DIESEL

1	04773709	1				ENC			ADAPTER, Oil Drain Pipe
2	04883408AA	1				ENC			PIPE, Oil Return
3	04728186	2				ENC			BOLT, Oil Drain Pipe
4	04741823	2				ENC			WASHER, Plain
5	04796007	1				ENC			GASKET, Turbo Oil Return Pipe
6	04883415AA	1				ENC			GASKET, Manifold To Turbo
7	04864029	1				ENC			TUBE, Turbo Oil Feed
8	04720367	2				ENC			BOLT, Banjo
9	04720703	7				ENC			WASHER, Plain
10	04882610	7				ENC			NUT, Lock
11	04863811	2				ENC			SCREW
12	04863937	1				ENC			ELBOW, Turbo Exhaust Outlet
13	04796184	1				ENC			GASKET, Turbo Exhaust Outlet
14	04882606	4				ENC			STUD, Turbo Elbow
15	04773706	1				ENC			TUBE, Oil Feed
16	04883410AA	2				ENC			CLAMP, Heater Hose
17	04883409AA	1				ENC			TURBOCHARGER
18	04882610	7				ENC			NUT, Lock
19	04861037	1				ENC			STRUT, Engine
20	06101503	1				ENC			SCREW AND WASHER, Hex Head, M10x1.5x25
-21	04863772	1				ENC			ADAPTER, Turbo

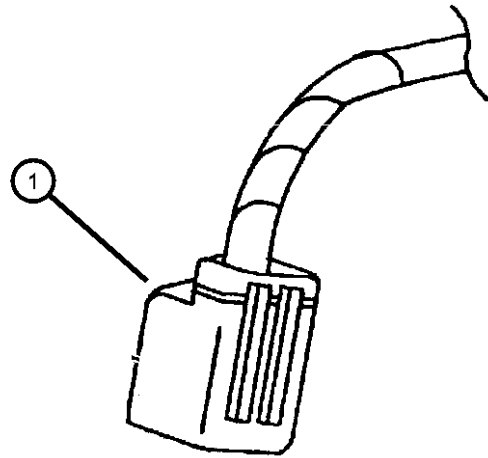
AR = use ase required - = Non illustrated part

Throttle Controls GS Diesel (ENC)
Figure 14-710

ITEM	PART NUMBER	QTY	LINE	SERIES	BODY	ENGINE	TRANS	TRIM	DESCRIPTION
------	-------------	-----	------	--------	------	--------	-------	------	-------------

NOTE:
Throttle control wire harness is part of instrument panel harness
ENC=2.5L 4CYL. TURBO DIESEL

1	04707957	1	C, Y			ENC			WIRING, Instrument Panel
---	----------	---	------	--	--	-----	--	--	--------------------------

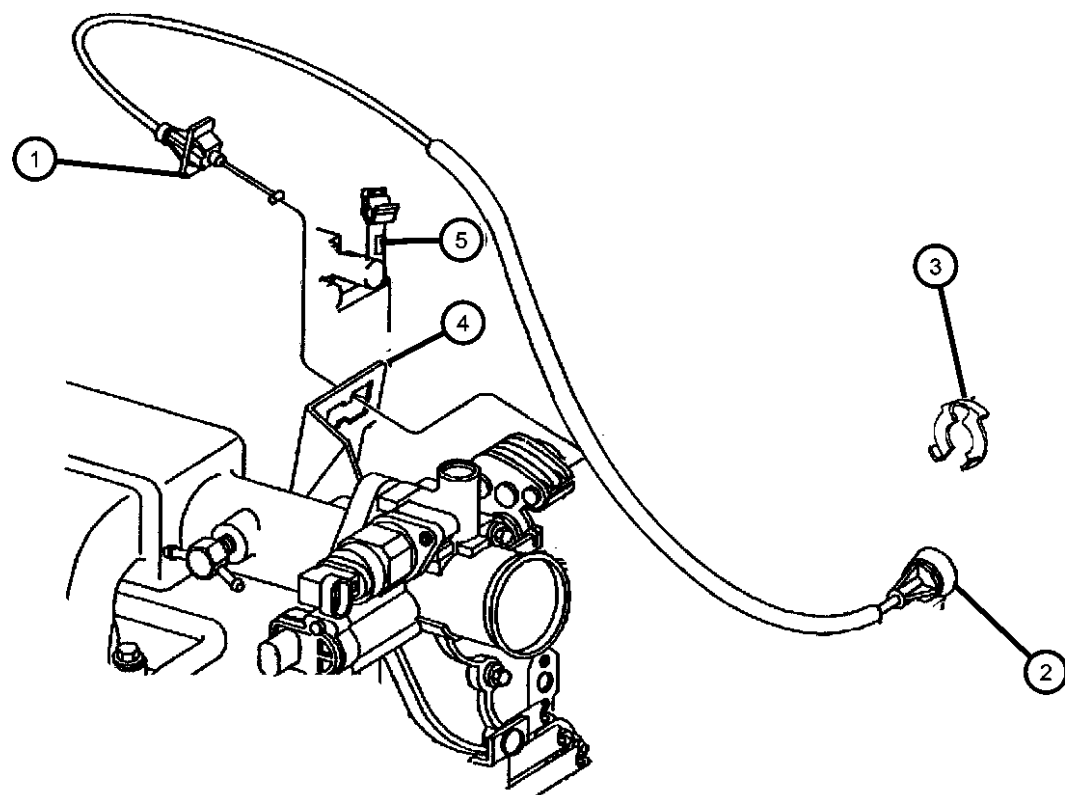


AR = use ase required - = Non illustrated part

**Throttle Controls GS 2.0L-2.4L Engine (ECB-EDZ)
Figure 14-720**

ITEM	PART NUMBER	QTY	LINE	SERIES	BODY	ENGINE	TRANS	TRIM	DESCRIPTION
------	-------------	-----	------	--------	------	--------	-------	------	-------------

NOTE:
Sales Codes:
ECB=2.0L 4CYL. SOHC 16V
EDZ=2.4L 4CYL. DOHC 16V
EGA=3.3L V-6 MPI
EGH=3.8L V-6 MPI
DD3=5 SPEED MANUAL TRANSMISSION



1									CABLE, Throttle Control
	04612289	1				EDZ			
	04612724	1	Y			ECB			
	04612978	1	Z			ECB			
2	05214416	1				ECB, EDZ, EGA, EGH			GROMMET, Throttle Control Cable
3	05214613	1				ECB, EDZ, EGA, EGH			RETAINER, Throttle Cable
4	04612222	1				EDZ	DD3		BRACKET, Cable
5									CLIP, Cable
	04612924	1				EDZ			
		1	U, Z			ECB			
-6	04612958	1				ECB			BRACKET, Throttle Control Support
-7	04612958	1							SHIELD, Throttle Control, (NOT REQUIRED)
-8	06504100	1				ECB			SCREW, M6X1.00X16.00
-9	06501755	2				EDZ			SCREW AND WASHER, Hex Head, M6x1x16

AR = use ase required - = Non illustrated part

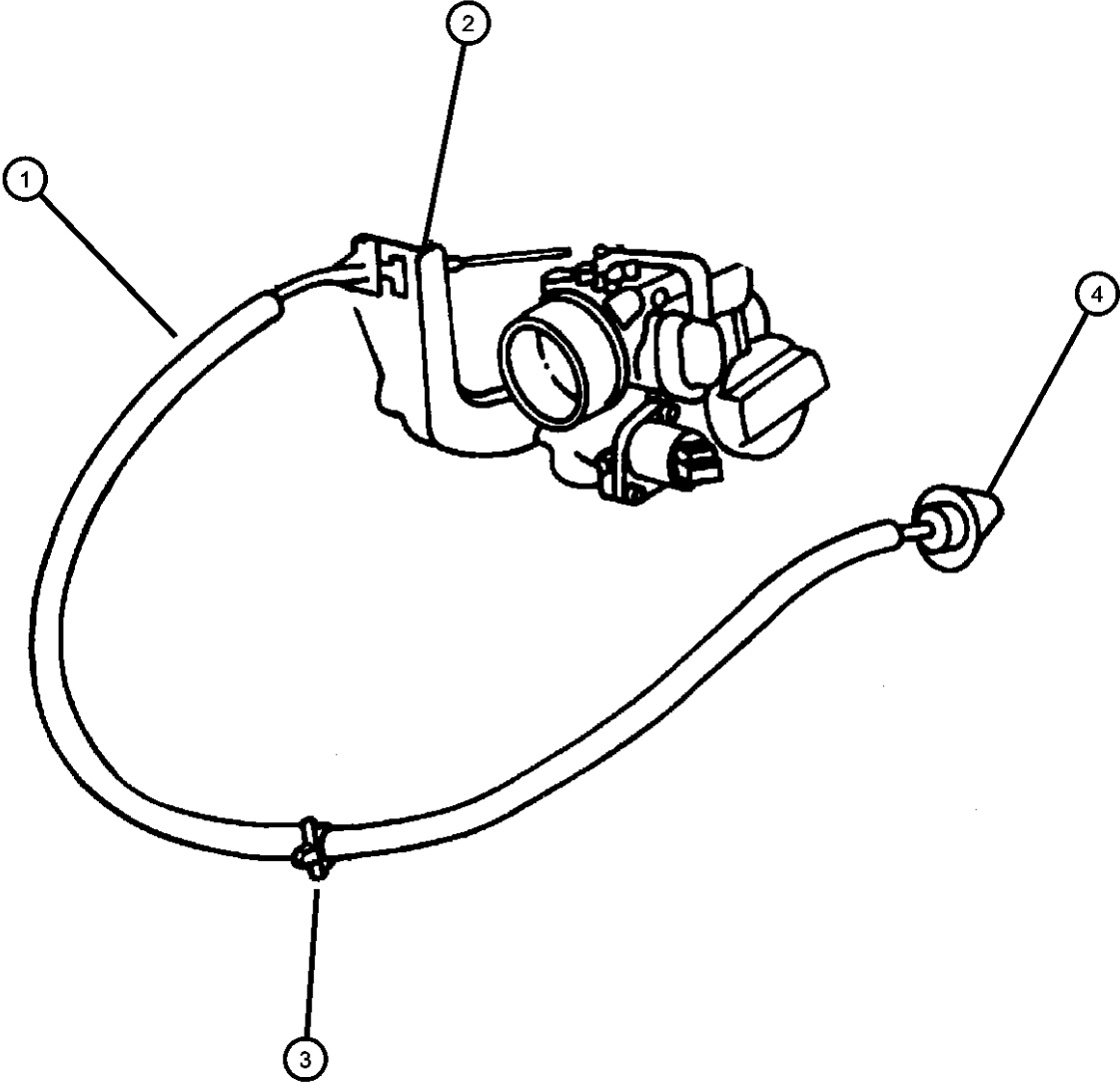
Throttle Controls GS 3.3L-3.8L Engine (EGA-EGH)

Figure 14-730

ITEM	PART NUMBER	QTY	LINE	SERIES	BODY	ENGINE	TRANS	TRIM	DESCRIPTION
------	-------------	-----	------	--------	------	--------	-------	------	-------------

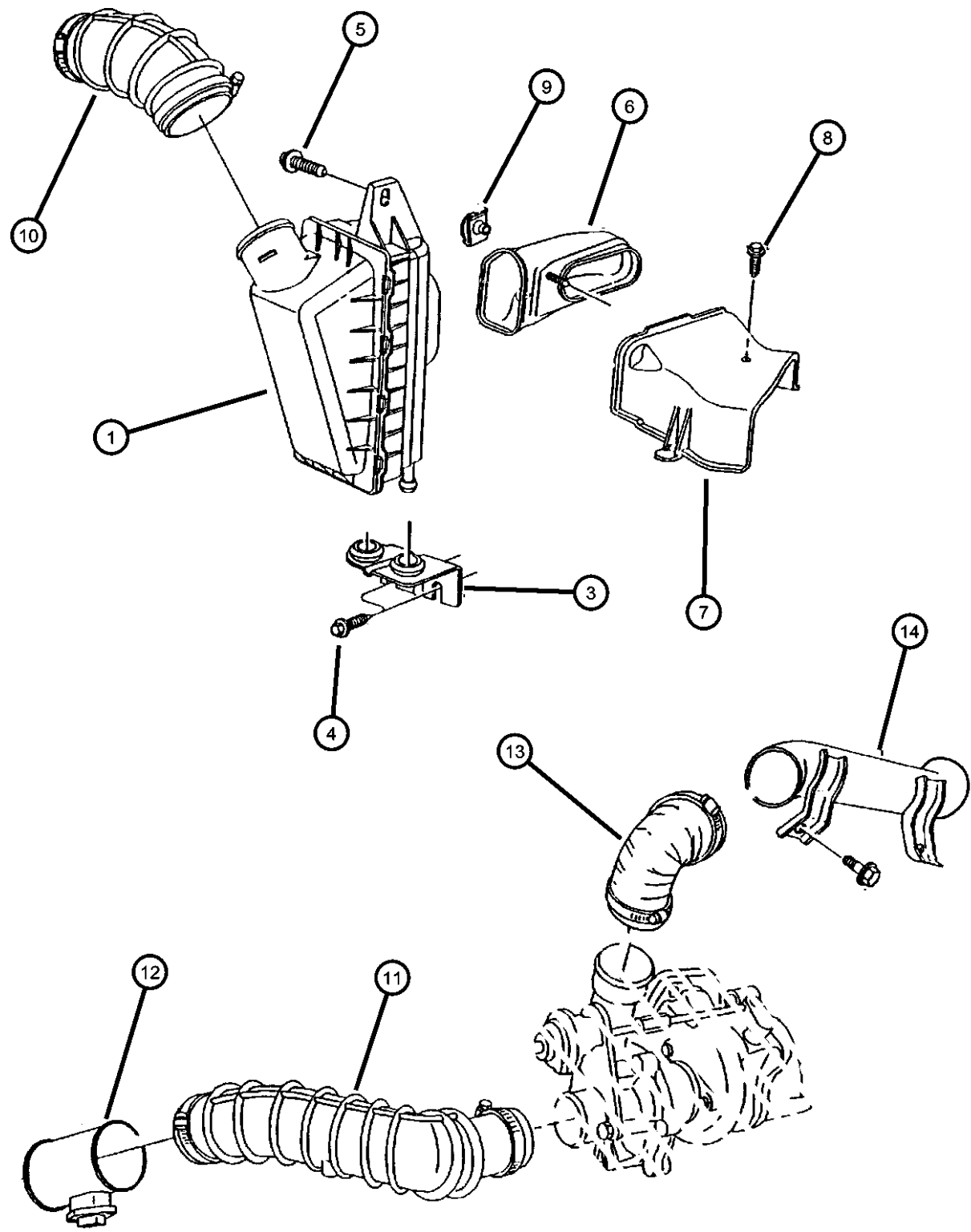
NOTE:
 Sales Codes:
 ECB=2.0L 4CYL. SOHC 16V
 EDZ=2.4L 4CYL DOHC 16V
 EGA=3.3L V-6 MPI
 EGH=3.8L V-6 MPI

1	04612273	1	C			EGA, EGH			CABLE, Throttle Control
2	04612915	1				EGA			BRACKET, Cable
3	05214613	1				ECB, EDZ, EGA, EGH			RETAINER, Throttle Cable
4	04287736	1				ECB, EDZ, EGA, EGH			RETAINER, Throttle Cable
-5									SCREW AND WASHER, Hex Head, M6x1x16
	06501755	2				EGA			
		2				EGH			



AR = use ase required - = Non illustrated part

Air Cleaner and Hoses GS Diesel (ENC)
Figure 14-810



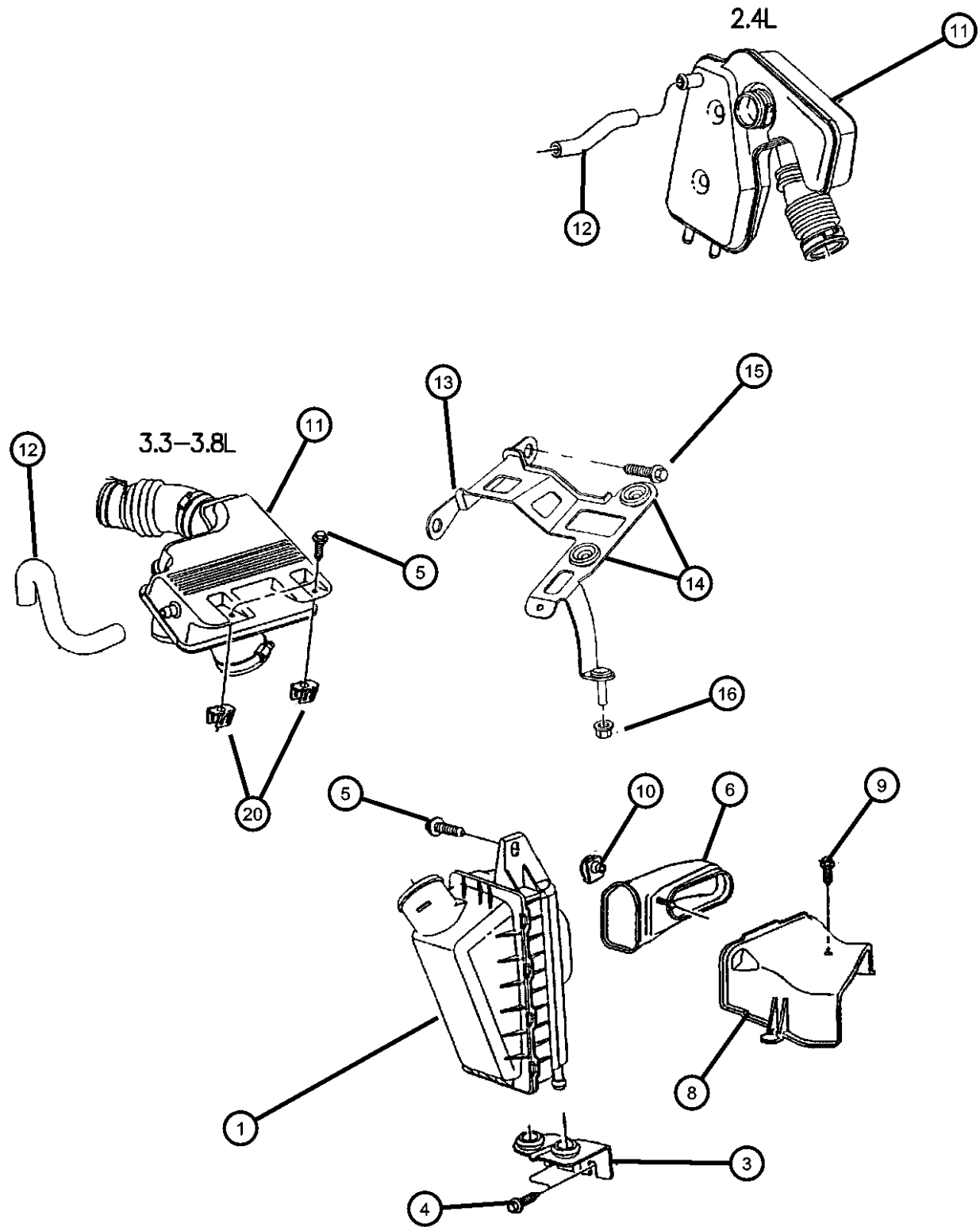
ITEM	PART NUMBER	QTY	LINE	SERIES	BODY	ENGINE	TRANS	TRIM	DESCRIPTION
------	-------------	-----	------	--------	------	--------	-------	------	-------------

NOTE:
 Sales Codes:
 EN0=ALL 2.5L 4CYL. TURBO DIESEL ENGINES
 ENC=2.5L 4CYL. TURBO DIESEL
 EGA=3.3L V-6 MPI
 EGH=3.8L V-6 MPI

1	04861052	1							AIR CLEANER
-2	04861041	1							ELEMENT, Air Cleaner
3	04612442	1							BRACKET, Air Cleaner
4	06503319	2							SCREW, Hex Head, M6x1x20
5	06101718	2				EN0			SCREW AND WASHER, Oval Head, M6x1x25
6	04612907	1				EGA, EGH, ENC			DUCT, Fresh Air
7	04861179	1							SHIELD, Air Intake Extension
8	06032723	1							SCREW, Self Tapping, M4.2x1.69x19.05
9	06101712	1							NUT, U, M6x1
10	04612694AB	1				ENC			HOSE, Air Cleaner To MAF Sensor
11	04612697	1				ENC			HOSE, Air Cleaner to Turbo
12	04861076	1				ENC			SENSOR, Air Pressure
13	04612532AB	1				ENC			HOSE, Turbocharger To Tube
14	04612535	1				ENC			TUBE, Turbocharger To Intercooler

AR = use ase required - = Non illustrated part

Air Cleaner GS (Exclude Diesel)
Figure 14-820



ITEM	PART NUMBER	QTY	LINE	SERIES	BODY	ENGINE	TRANS	TRIM	DESCRIPTION
------	-------------	-----	------	--------	------	--------	-------	------	-------------

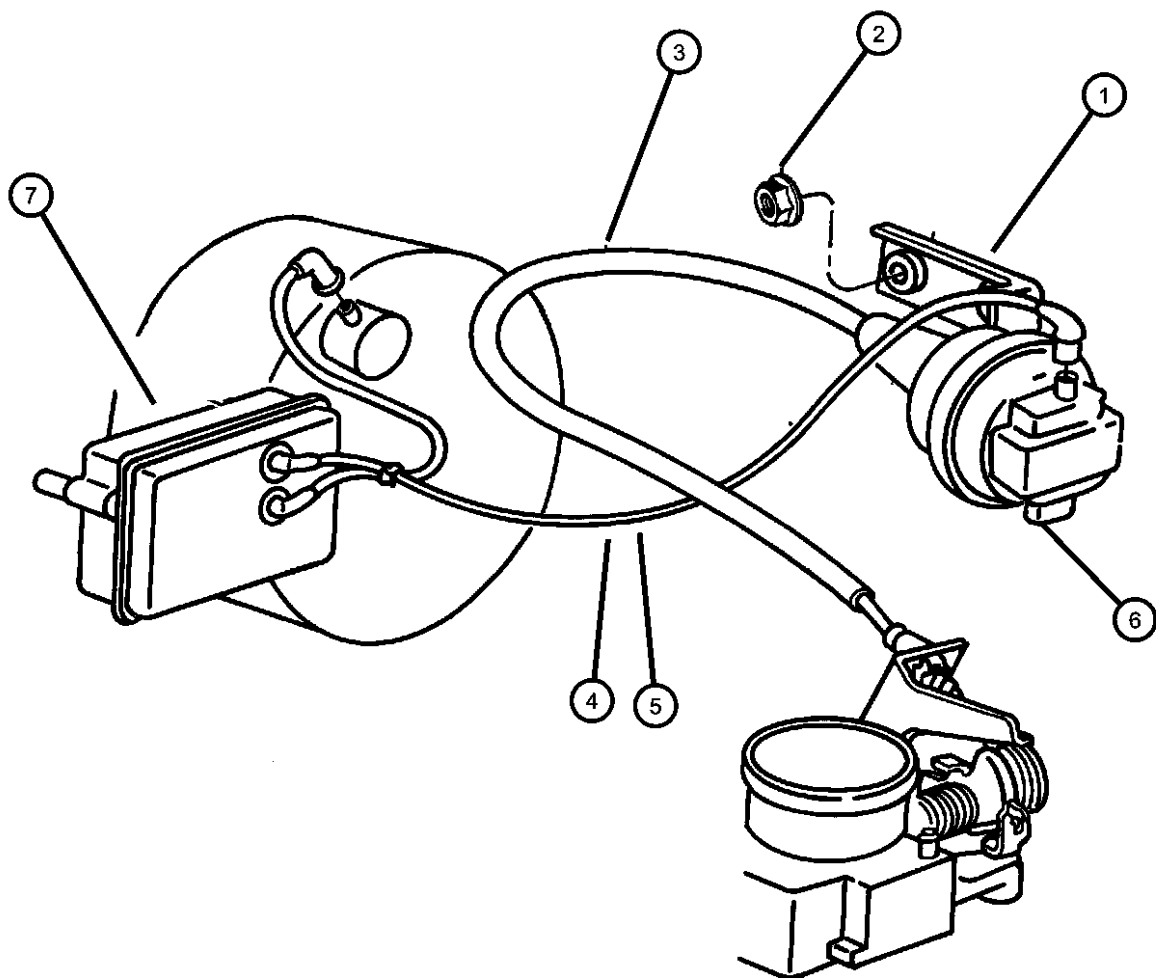
NOTE:
 Sales Codes:
 ECB=2.0L 4CYL. SOHC 16V
 ENC=2.5L 4CYL. TURBO DIESEL
 EDZ=2.4 4CYL. DOHC 16V
 EGA=3.3L V-6 MPI
 EGH=3.8L V-6 MPI
 DGL= 4 SPEED AUTOMATIC TRANSMISSION
 DD3=5 SPEED MANUAL TRANSMISSION

1	04861052	1							AIR CLEANER
-2	04861041	1							ELEMENT, Air Cleaner
3	04612442	1							BRACKET, Air Cleaner
4	06503319	2							SCREW, Hex Head, M6x1x20
5	06101718	1							SCREW AND WASHER, Oval Head, M6x1x25
6	04612907	1				EGA, EGH, ENC			DUCT, Fresh Air
-7	04612961	1				ECB, EDZ			DUCT, Air Cleaner
8	04861179	1							SHIELD, Air Intake Extension
9	06032723	1							SCREW, Self Tapping, M4.2x1.69x19.05
10	06101712	1							NUT, U, M6x1
11									RESONATOR, Air Cleaner
	04612510	1				EDZ			2.4L Engine
	04612512	1				EGA, EGH			3.3L-3.8L Engine
	04612738	1				ECB			2.0L Engine
12									HOSE, Crankcase Vent
	04621689	1				EDZ			2.4L Engine
	04694367	1				ECB			2.0L Engine
	04694646	1				EGA, EGH			3.3L-3.8L Engine
13									BRACKET, Resonator
	04612523	1				EDZ	DGL		2.4L Automatic
	04612679	1				EDZ	DD3		2.4L Manual
14	04669177	2				ECB, EDZ, EGA, EGH			GROMMET, Air Cleaner Bracket
15	06500158	1				EG0			SCREW AND WASHER, Hex Head, M10x1.5x25
16	06101467	1				EDZ			NUT, Hex Flange, M8x1.25
-17									HOSE, Air Cleaner to Resonator
	04612524	1	C, Y, Z			EDZ			
	04612528	1	C, Y, Z			EGA, EGH			
		1	C, Y, Z			ECB			
-18	04861005	1	C, Y, Z			ECB			HOSE, Air Cleaner to T/Body
-19	04897700AA	1	C, Y, Z			EGA, EGH			HOSE, Resonator to T/Body
20	06503903	2				ECB, EGA, EGH			NUT, M6x1.00

AR = use ase required - = Non illustrated part

Speed Control GS
Figure 14-1010

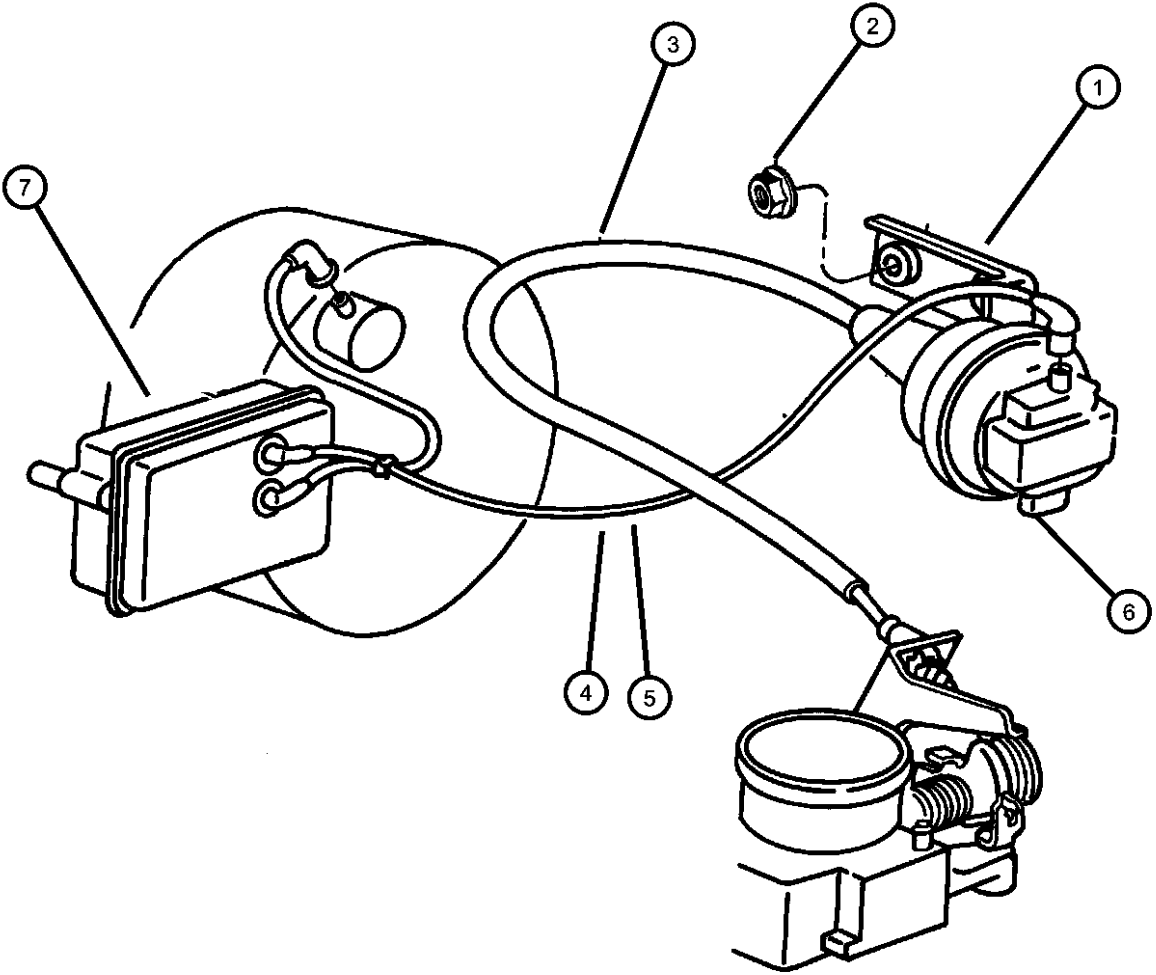
ITEM	PART NUMBER	QTY	LINE	SERIES	BODY	ENGINE	TRANS	TRIM	DESCRIPTION
NOTE: Sales Codes: ECB=2.0L 4CYL SOHC 16V ENC=2.5L 4CYL. TURBO DIESEL EDZ=2.4L 4CYL. DOHC 16V EGA=3.3L V-6 MPI EGH=3.8L V-6 MPI DGL=4 SPEED AUTOMATIC TRANSMISSION DD3=5 SPEED MANUAL TRANSMISSION									
1									BRACKET, Speed Control Servo
	04612950	1	U, Z			EGA, EGH			
	04612957	1				ECB			2.0L Engine
2									NUT, Hex Flange Serration, M6x1
	06502493	2				EDZ			
		2				ECB			
3									CABLE, Speed Control
	04612301	1				EDZ			2.4L Engine
	04612347	1	C, Y			EGA, EGH			
	04612996	1	U, Z			EGA, EGH			
	04612998	1				ECB			2.0L Engine
4									HARNESS, Speed Control Vacuum
	04612997	1	U, Z			EGA, EGH			
	04612999	1				ECB			2.0L Engine
5									HARNESS, Vacuum Speed Control
	04612720	1				EDZ			2.4L Engine
	04612722	1	C, Y			EGA, EGH			
6									SERVO, Speed Control
	04669977	1				EDZ			
		1				ECB			
		1	C, Y			EGA, EGH			
		1	U, Z			EGA, EGH			
7									TRAY, Battery
	04716945	1				ECB, EDZ, EGA, EGH			Exclude Diesel, Reservoir Serviced in Battery Tray
	0VU01207								Repair Battery Terminal End Side Post (Ten Per Box)
	0VU01205								Repair Battery Terminal End Top Post (Ten Per Box)
	04716946	1				ENC			Diesel, Reservoir Serviced in Battery Tray
	0VU01207								Repair Battery Terminal End Side Post (Ten Per Box)
	0VU01205								Repair Battery Terminal End Top Post (Ten Per Box)
-8									HOSE, Vacuum, 1/8" I.D. 50 Foot Roll
	03780508	1				EGA			



AR = use ase required - = Non illustrated part

Speed Control GS
Figure 14-1010

ITEM	PART NUMBER	QTY	LINE	SERIES	BODY	ENGINE	TRANS	TRIM	DESCRIPTION
		1				EGH			
		1				EDZ			
		2				ECB			
		2	C			EGA, EGH			
-9	06025867	1				EDZ			CLIP, Cable
		1				ECB			
		1	U, Z			EGA, EGH			
-10	06502493	2				EDZ			NUT, Hex Flange Serration, M6x1
		2	C, Y			EGA, EGH			
		2	U, Z			EGA, EGH			

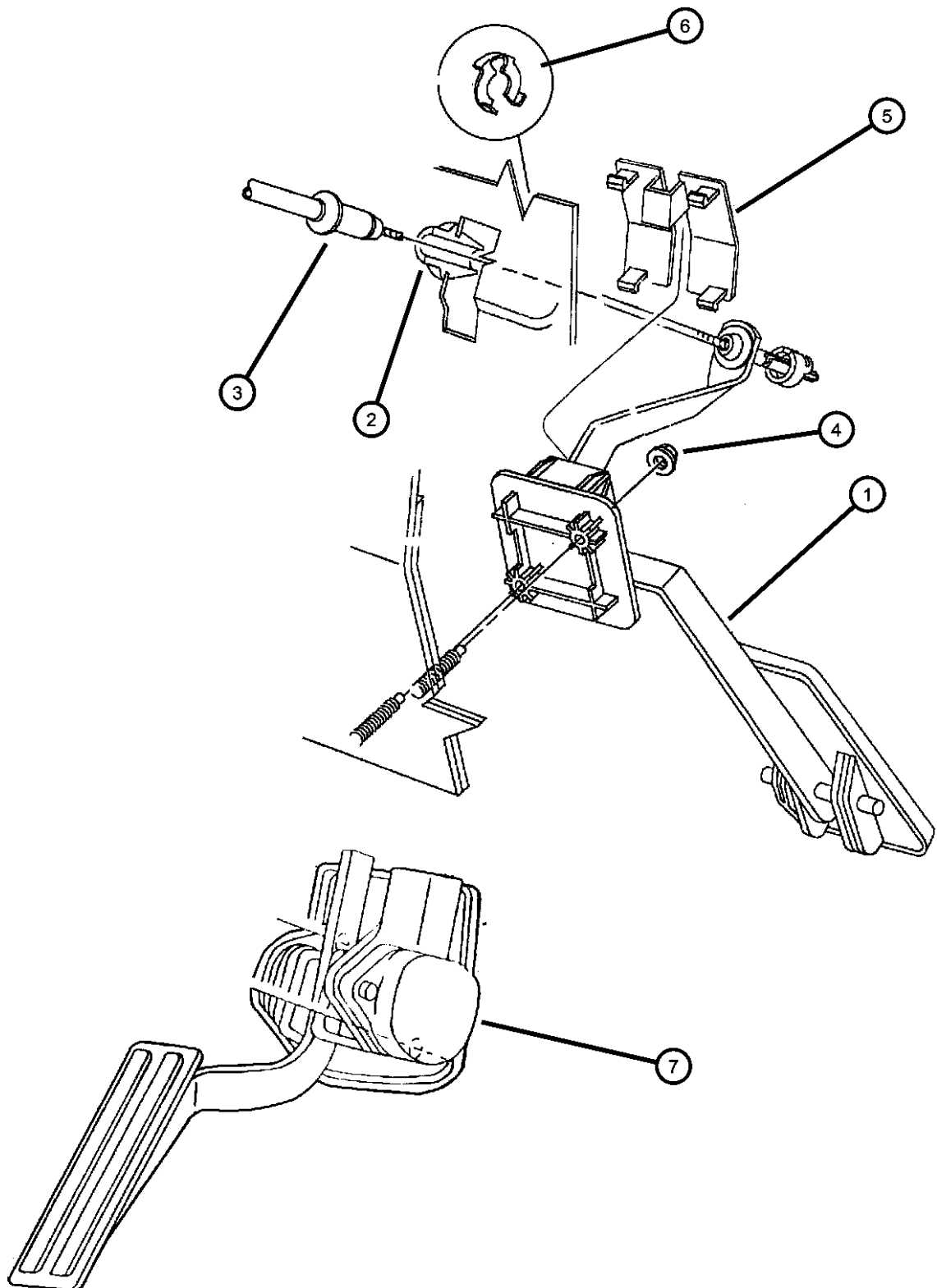


AR = use ase required - = Non illustrated part

Accelerator Pedal GS
Figure 14-1110

ITEM	PART NUMBER	QTY	LINE	SERIES	BODY	ENGINE	TRANS	TRIM	DESCRIPTION
------	-------------	-----	------	--------	------	--------	-------	------	-------------

NOTE:
 Sales Codes:
 ECB=2.0L 4CYL. SOHC 16V
 EDZ=2.4L 4CYL. DOHC 16V
 ENC=2.5L 4CYL. TURBO DIESEL
 EGA=3.3L V-6 MPI
 EGH=3.3L V-6 MPI



1	04612223	1	C		ECB, EDZ, EGA, EGH				PEDAL AND BRACKET, Accelerator
2	04716686	1							REINFORCEMENT, Pedal Bracket
3	05214416	1			ECB, EDZ, EGA, EGH				GROMMET, Throttle Control Cable
4	06502843	2							NUT AND WASHER, Hex Nut-Coned Washer, M6 x 1.00
5	04612693	1			ECB, EDZ, EGA, EGH				COVER, Accelerator Pedal Base
6	04658444	1							CLIP, Latch
7									PEDAL AND BRACKET, Accelerator
	04612742	1	C			ENC			
	04612977	1	U, Z			ECB, EGA, EGH			

AR = use ase required - = Non illustrated part

Group - 16

Propeller Shafts and U-Joints

Group - 16 Propeller Shafts and U-Joints

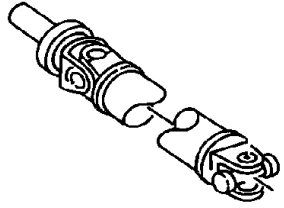
Group-Fig. No.

Illustration Title

Propeller Shaft

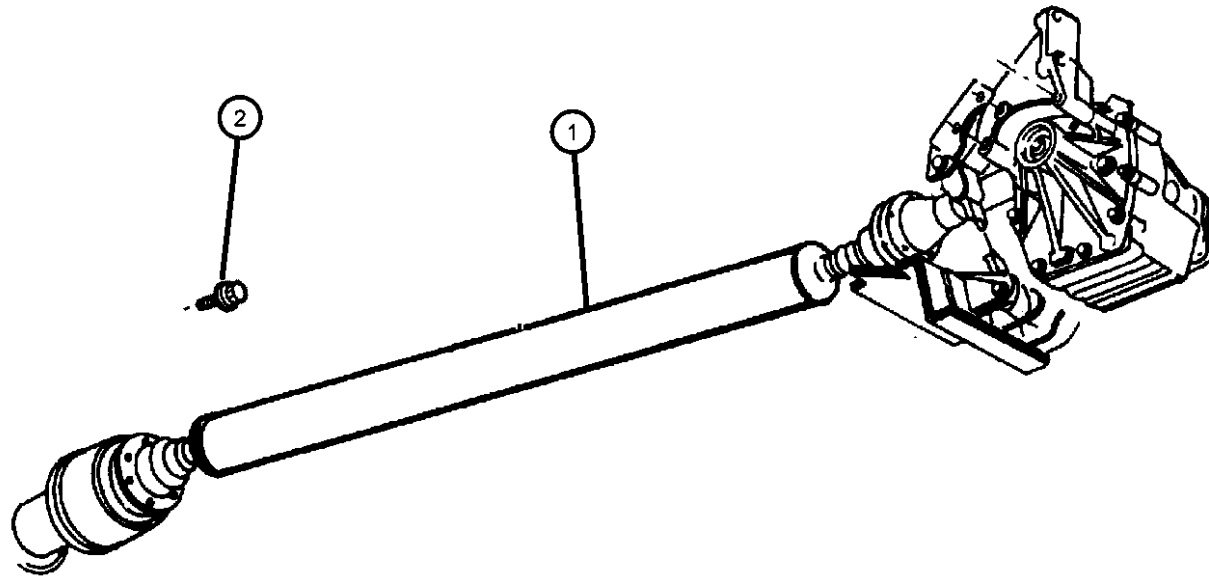
Propeller Shaft.....Fig. 16 - 120

016-100
Propeller Shaft



Propeller Shaft
Figure 16-120

ITEM	PART NUMBER	QTY	LINE	SERIES	BODY	ENGINE	TRANS	TRIM	DESCRIPTION
1									SHAFT, Drive
	05010823AA	1	C		52				
	05010824AA	1	C		53				
2	06101232	6	C						BOLT, Hex Flange Head, M8x1.25x25



AR = use ase required - = Non illustrated part

Group - 17

Rear Suspension

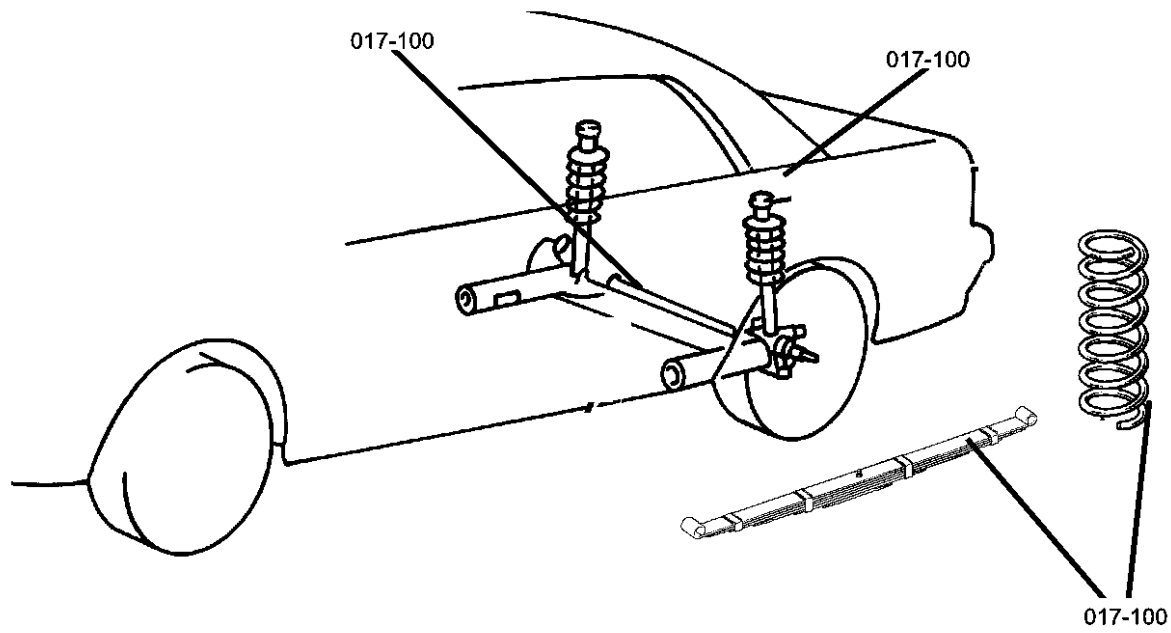
Group - 17 Rear Suspension

Group-Fig. No.

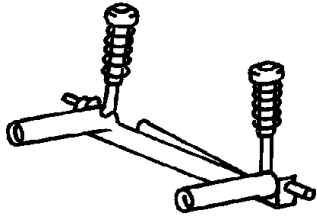
Illustration Title

Rear Suspension

Suspension, Rear FWD.....Fig. 17 - 145
 Suspension, Rear AWDFig. 17 - 155

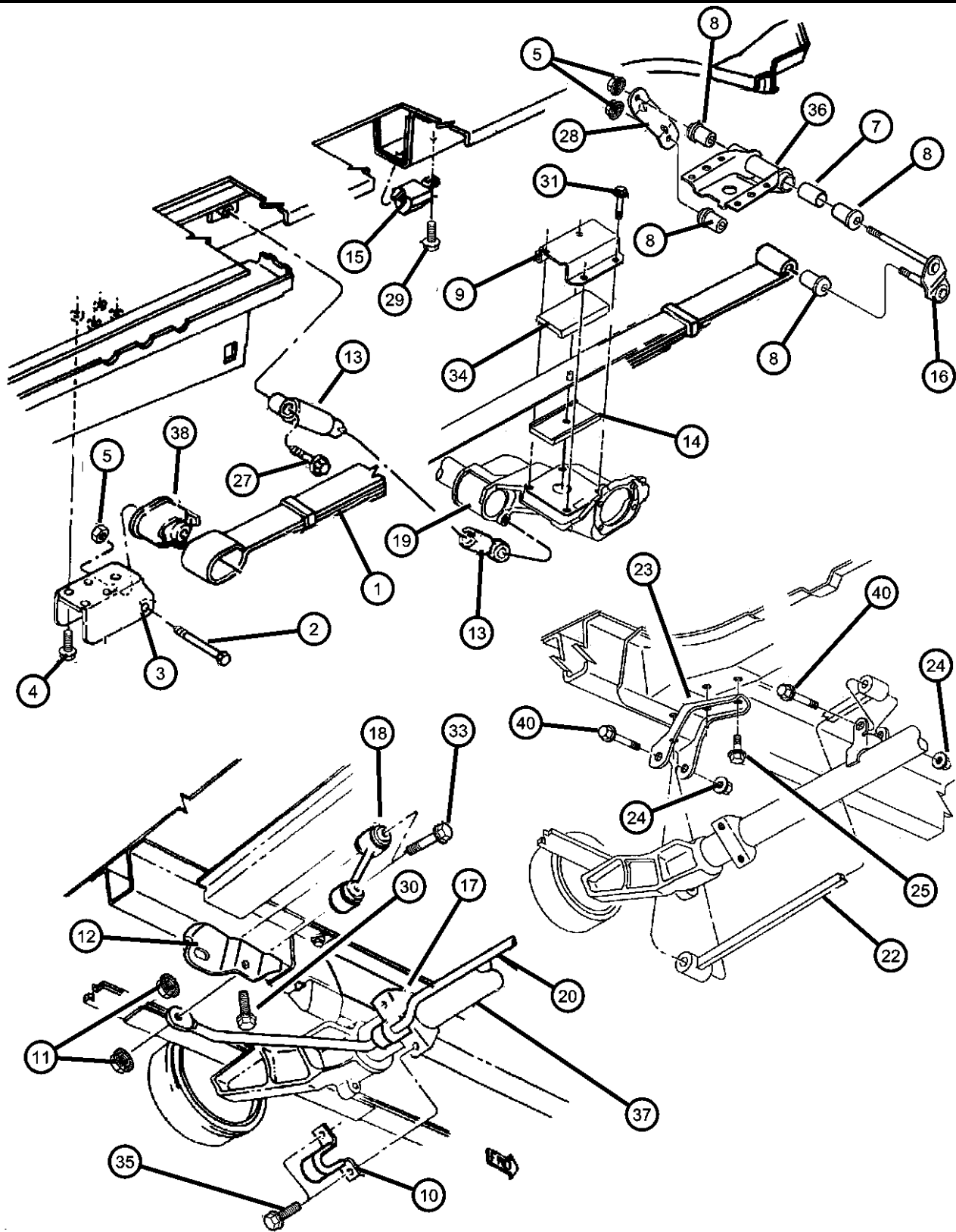


017-100
Rear Suspension



--	--	--	--

Suspension, Rear FWD
Figure 17-145



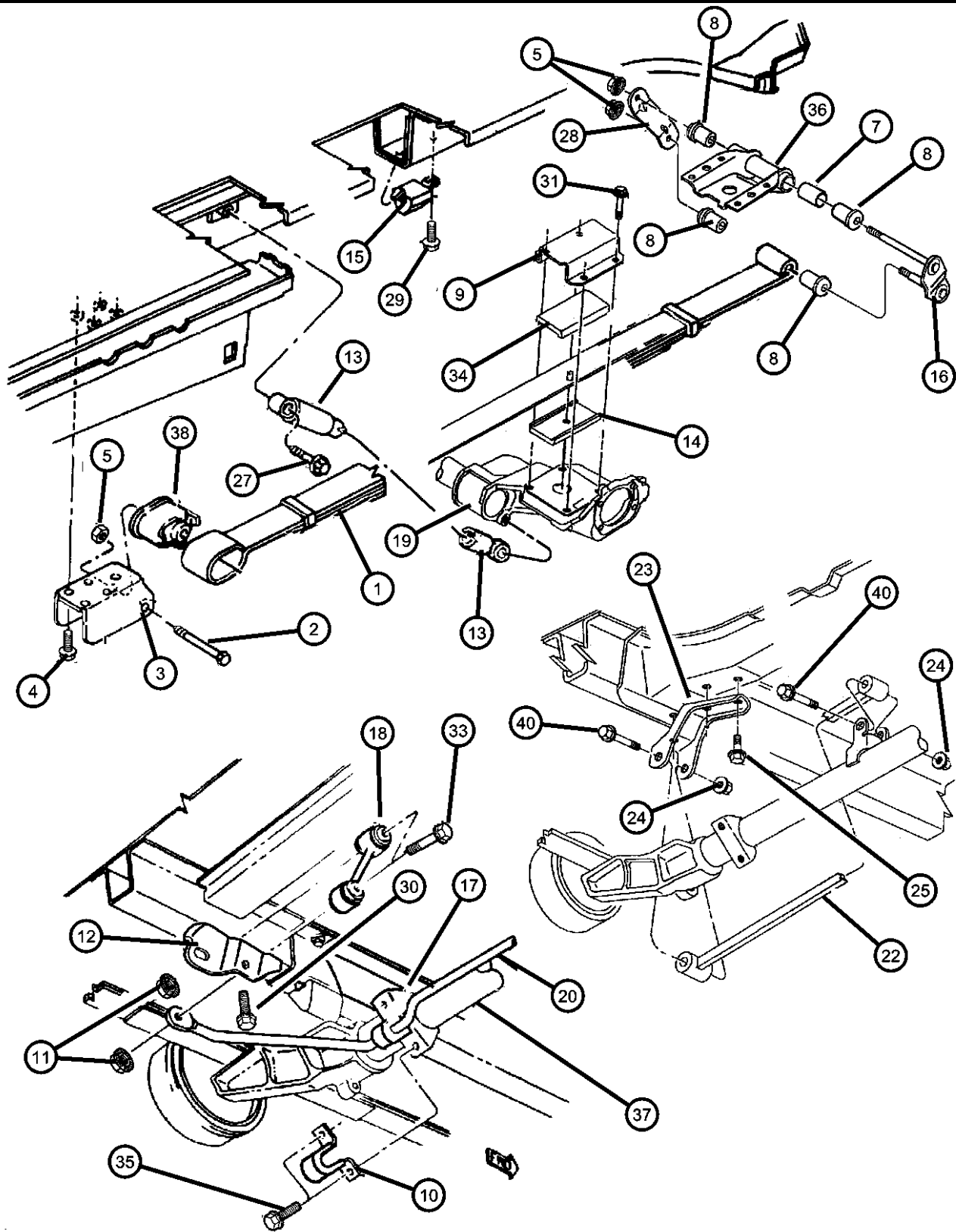
ITEM	PART NUMBER	QTY	LINE	SERIES	BODY	ENGINE	TRANS	TRIM	DESCRIPTION
------	-------------	-----	------	--------	------	--------	-------	------	-------------

Note: Sales Code SDF = European Homologation Suspension
 Note: Sales Code SER = Load Leveling and Height Control
 Note: Sales Code SHC = Sway Bar
 Note: Sales Code ZBU Thru ZWX = Spring Group Types Found on Individual Vehicle Sales Code Listing

1									SPRING, Rear Leaf
	04684714	1	Y, Z		52				w/ZBU, ZPU, ZWU
	04684715	1	Y, Z		52				w/ZPV, ZBV, ZWV
	04684764	1	Y, Z		53				w/ZPU, ZBU, ZWU
	04684765	1	Y, Z		53				w/ZBV, ZPV, ZWV
	04684716	1	Y, Z		52				w/ZBW, ZPW, ZWW
	04684717	1	Y, Z		52				w/ZBX,ZPX,ZWX
	04684766	1	Y, Z		53				w/ZBW, ZPW, ZWW
	04684874	1	Y, Z		52				w/ZDU, ZSU
	04684875	1	Y, Z		52				w/ZDV, ZSV
	04684876	1	Y, Z		52				w/ZDW, ZSW
	04684877	1	Y, Z		52				w/ZDX, ZSX
	04684954	1	Y, Z		53				w/ZDU, ZSU
	04684955	1	Y, Z		53				w/ZDV, ZSV
	04684956	1	Y, Z		53				w/ZDW, ZSW
	04684957	1	Y, Z		53				w/ZDX, ZSX
	04694926	1	Y, Z		52				w/ZHW
	04694986	1	Y, Z		53				w/ZHW
	04694987	1	Y, Z		53				w/ZHX
	04694984	1	Y, Z		53				w/ZHU
	04694985	1	Y, Z		53				w/ZHV
2	06503883	2							BOLT, Hex Head, M14x2.0x 120
3	04743622	2							HANGER, Front Spring, Rear Spring Front
4	06503858	8							SCREW AND WASHER, Hex Head, M10x1.50x35, Front and Rear
5	06100525	4							NUT, Hex Lock, M10x1.5, Front
-6	06502040	2							NUT, Hex Flange Lock, M14x2, Rear
7	04486886	2							INSERT, Spring Bushing, Rear
8	04228564	8							BUSHING, Spring, Rear
9	04694860	2	Y, Z						PLATE, Spring Shackle, Rear
10	04228786	2							BRACKET, Stabilizer Bar
11	06502337	4							NUT, M10x1.5
12	04684171	2							BRACKET, Stabilizer Bar Link, w/SHC
13									SHOCK ABSORBER, Suspension
	04743686	2	Y, Z		52				w/SDF, w/o SER
		2	Y, Z		53				w/SDF, w/o SER

AR = use ase required - = Non illustrated part

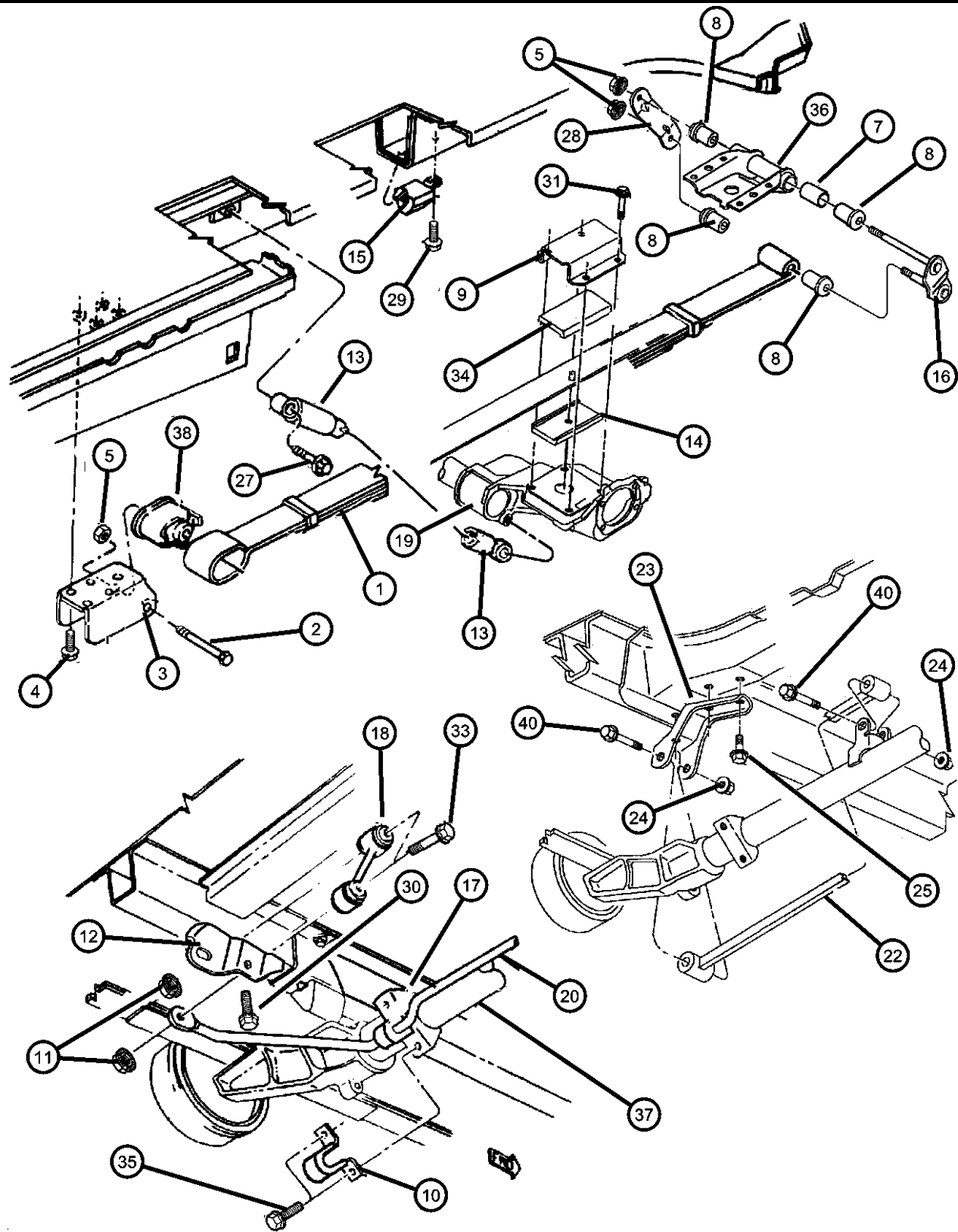
Suspension, Rear FWD
Figure 17-145



ITEM	PART NUMBER	QTY	LINE	SERIES	BODY	ENGINE	TRANS	TRIM	DESCRIPTION
		2	Y, Z		53				
	04743414	2	Y, Z		52				w/SDF, w/SER
14	04684984	2	Y, Z						ISOLATOR, Spring, Rear Spring Lower
15	04684756	2	Y						BUMPER, Jounce
16	04684698	2	Y, Z						PLATE, Spring Shackle
17	04228785	2							BUSHING, Stabilizer Bar
18	05272190	2							LINK, Sway Eliminator, w/SHC
19	04684405	1	Y, Z						AXLE, Rear
20	04228784	1							BAR, Rear Sway
-21	06503858	8							SCREW AND WASHER, Hex Head, M10x1.50x35, Front and Rear Hanger
22	04684349	1	Y, Z						BAR, Rear Sway
23	04684346	1	Y, Z						BRACKET, Track Bar
24	06501247	2	Y						NUT, M12x1.75
25	06503858	3	Y, Z						SCREW AND WASHER, Hex Head, M10x1.50x35
-26	04860316	2							BRACKET AND HINGE, Floor Pan Rear Suspension, Hanger Front
27	06504259	4	Y, Z						SCREW AND WASHER, Hex Head, M12-1.75x111
28	04684836	2	Y, Z						PLATE, Spring Shackle, Inboard
29	06101614	2				ENO			SCREW AND WASHER, Hex Head, M8x1.25x45, Bumper to Support Middle East
30	06503858	8							SCREW AND WASHER, Hex Head, M10x1.50x35
31	06035446	8	Y, Z						SCREW AND WASHER, Hex Head, .50-13x1.50
-32	06504346	4							SCREW AND WASHER, Hex Head, M10x1.50x35
33	06502338	4							SCREW, Shouldered Hex Head, M10x1.5x70
34	04684354	2	Y, Z						ISOLATOR, Spring, Rear Upper
35	04684354	2							SCREW, M10x1.50x30.00, (NOT SERVICED)
36									HANGER, Leaf Spring
	04684833	1							Left
	04684832	1							Right
37	04684832	1							AXLE, Rear, [Reference to Item 19], (NOT SERVICED),
38	04228492	1	Y, Z						BUSHING, Spring, Rear Spring Front
-39	06504347	4	Y, Z						SCREW, Hex Head, M12x1.75x92.00, Rear Shock Absorber w/o SER

AR = use ase required - = Non illustrated part

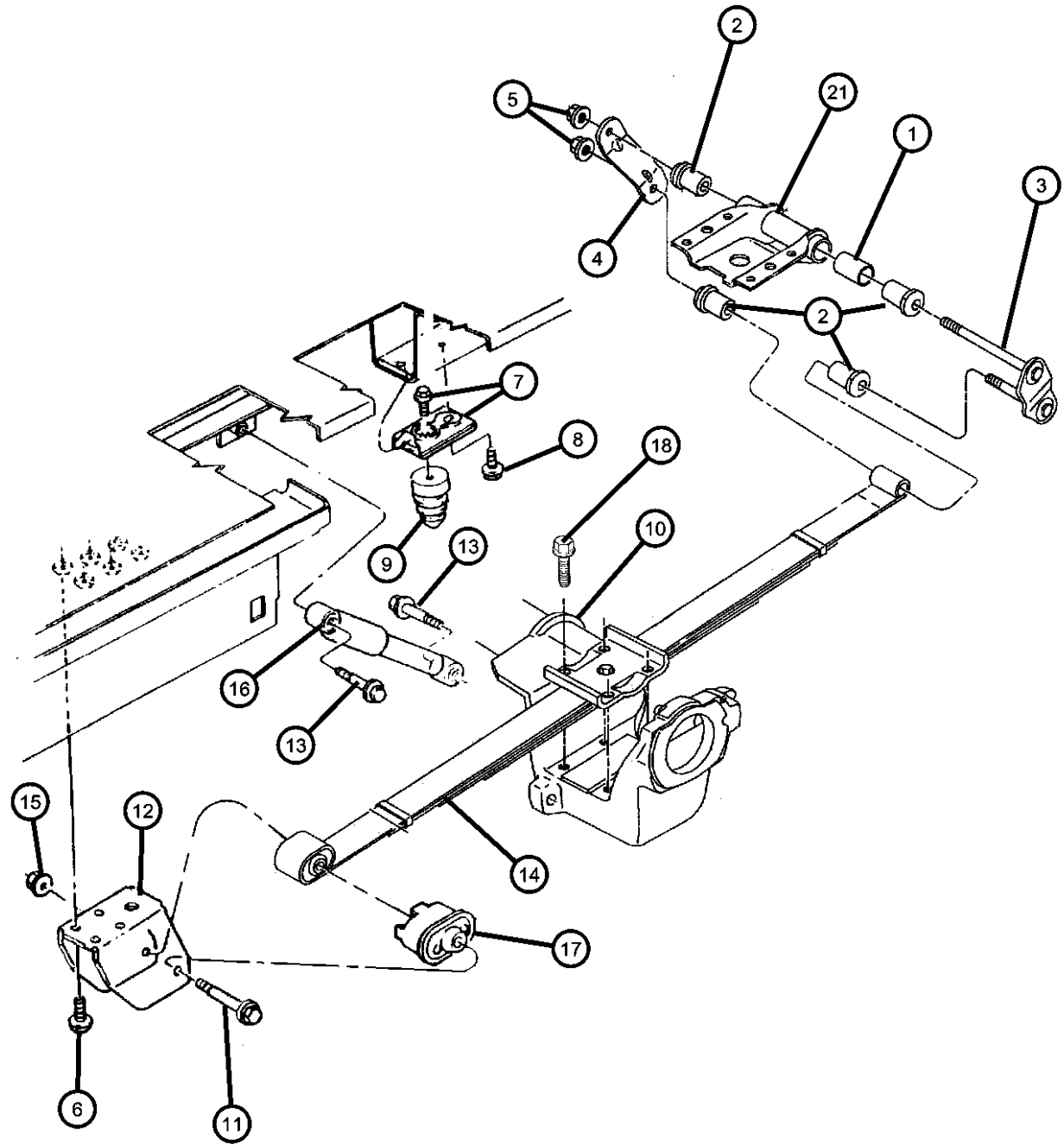
Suspension, Rear FWD
Figure 17-145



ITEM	PART NUMBER	QTY	LINE	SERIES	BODY	ENGINE	TRANS	TRIM	DESCRIPTION
40	06100989	2	Y, Z						SCREW, Hex Head, M12X1.75X65.00
-41	06504155	4							SCREW AND WASHER, Hex Head, M14x2.00x125.00, Isolator to Body

AR = use ase required - = Non illustrated part

Suspension, Rear AWD
Figure 17-155



ITEM	PART NUMBER	QTY	LINE	SERIES	BODY	ENGINE	TRANS	TRIM	DESCRIPTION
Note: Sales Code SDA = Normal Duty									
Note: Sales Code SDF = European Homologation Suspension									
Note: Sales Code SER = Load Leveling and Height Control (With ABS Only)									
Note: Sales Code ZFU Thru ZUX = Spring Group Types Found on Individual Vehicle Sales Code Listing									
1	04486886	2							INSERT, Spring Bushing
2	04228564	8							BUSHING, Spring
3	04694737	1	C, U						PLATE, Spring Shackle, Left
4	04694735	1	C, U						PLATE, Spring Shackle, Left
5	06100525	4							NUT, Hex Lock, M10x1.5
6	06503858	8							SCREW AND WASHER, Hex Head, M10x1.50x35
7	04694776	2	C						SUPPORT, Jounce Bumper, with SDF with Screw
8	06101614	4				ENO			SCREW AND WASHER, Hex Head, M8x1.25x45, Middle East
9	04684758	2	C, U						BUMPER, Jounce, With SDA, SDF
10	04684407	1	C						TUBE, Axle, Rear
11	06503883	2							BOLT, Hex Head, M14x2.0x 120
12	04694741	2							HANGER, Front Spring
13	06504259	4	C, U						SCREW AND WASHER, Hex Head, M12-1.75x111
14									SPRING, Rear Leaf
	04684934	1	C, U		52				With ZFU, ZUU
	04684795	1	C, U		53				with ZFV, ZUV
	04684796	1	C, U		53				With ZFW,ZUW
	04684935	1	C, U		52				With ZFV, ZUV
	04684936	1	C, U		52				With ZFW, ZUW
	04684937	1	C, U		52				With ZFX, ZUX
15	06502040	2							NUT, Hex Flange Lock, M14x2, Pivot
16									SHOCK ABSORBER, Suspension
	04743416	2	C, U		52				With [SDF, SER]
	04743413	2	C, U		53				With [SDF, SER]
17									BUSHING, Spring
	04228492	1	C, U		52				
		1	C, U		53				
18	06035444	8	C, U	H, P, S					SCREW AND WASHER, Hex Head, .50-13x3.00
-19	06503858	4	C, U						SCREW AND WASHER, Hex Head, M10x1.50x35
-20	06504155	4							SCREW AND WASHER, Hex Head, M14x2.00x125.00
21									HANGER, Leaf Spring
	04684832	1							Right
	04684833	1							Left

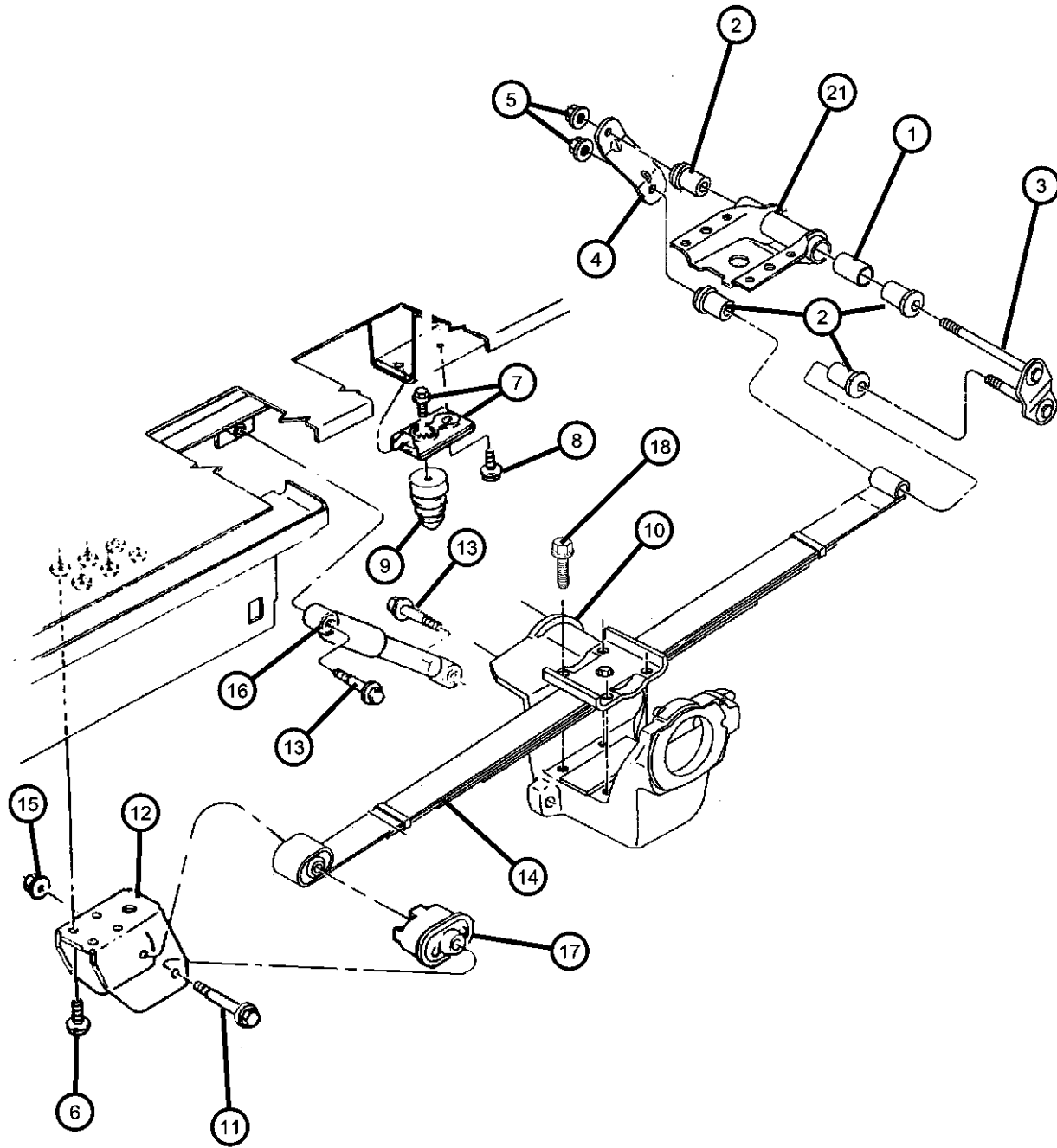
AR = use ase required - = Non illustrated part

Suspension, Rear AWD
Figure 17-155

ITEM	PART NUMBER	QTY	LINE	SERIES	BODY	ENGINE	TRANS	TRIM	DESCRIPTION
------	-------------	-----	------	--------	------	--------	-------	------	-------------

-22	06503858	8							
-23	04860316AB	2							

SCREW AND WASHER, Hex Head, M10x1.50x35, Hanger, Rear
BRACKET AND HINGE, Floor Pan
Rear Suspension



AR = use ase required - = Non illustrated part

Group - 19

Steering

Group - 19 Steering

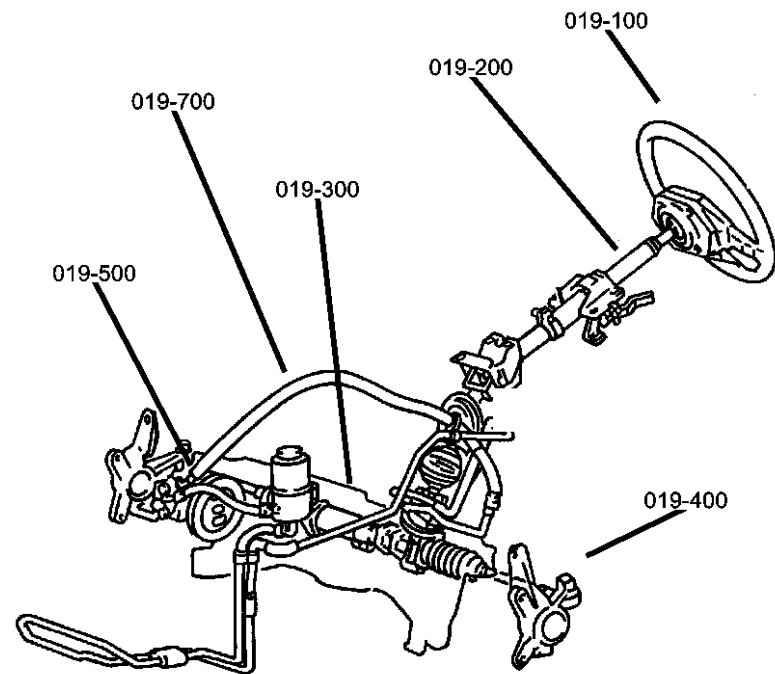


Illustration Title

Group-Fig. No.

Steering Wheel

Wheel, SteeringFig. 19 - 145

Steering Column

Column, Steering Upper and LowerFig. 19 - 245

Steering Gear

Gear, Rack and Pinion PowerFig. 19 - 321

Steering Linkage

Tie Rod EndsFig. 19 - 431

Power Steering Pump

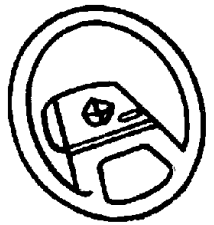
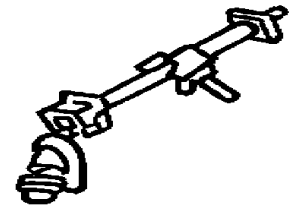
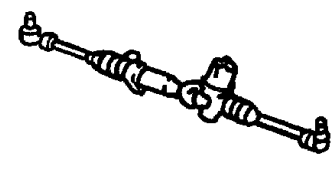
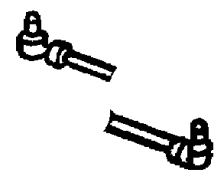
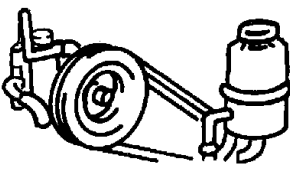
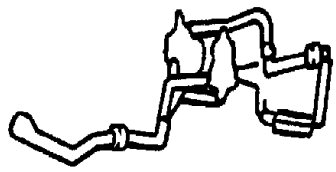
Pump Assembly and MountingFig. 19 - 535

Attaching Parts Pump Assembly (Diesel)Fig. 19 - 555

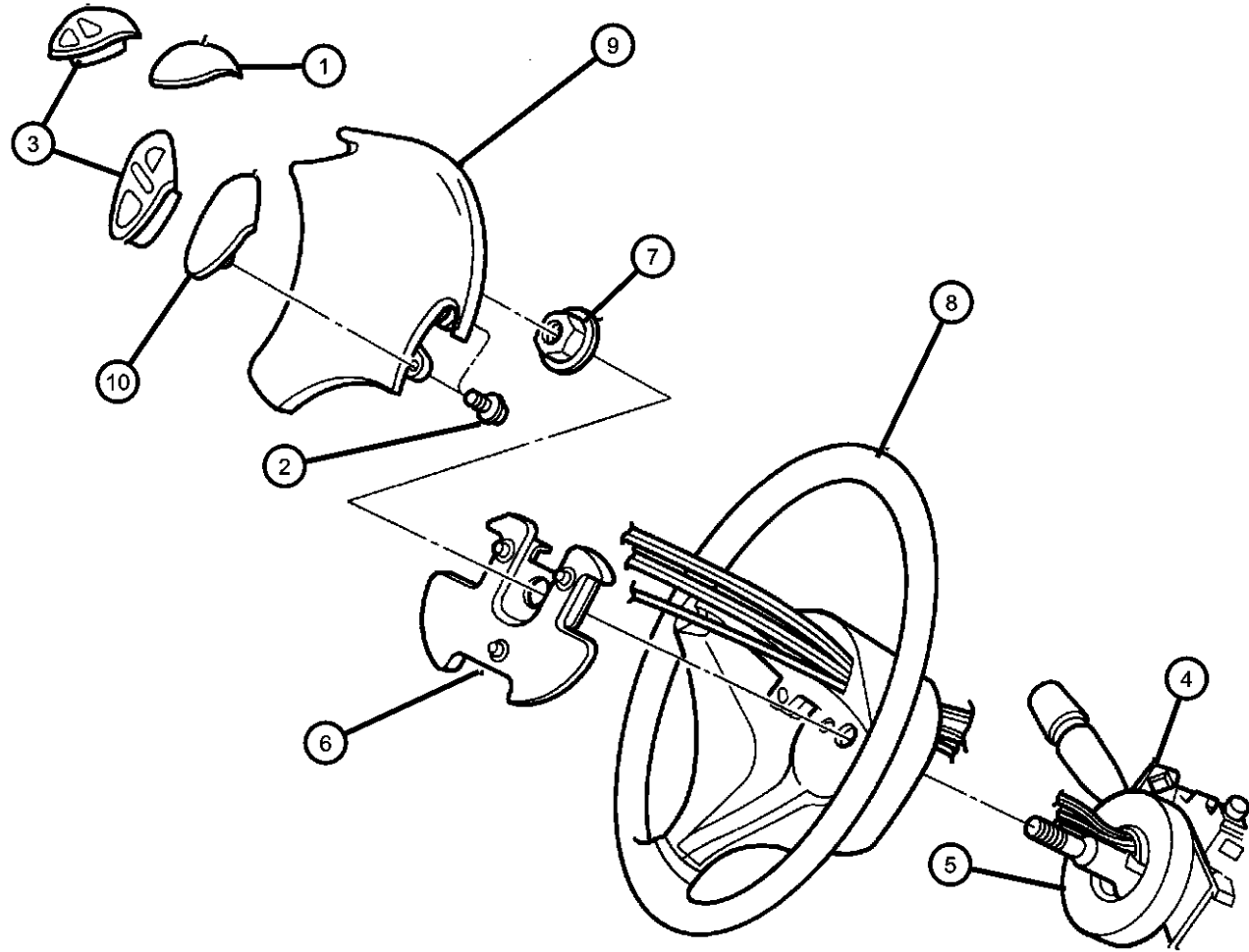
Power Steering Hoses

Hoses, Power SteeringFig. 19 - 721

Hoses, Power Steering (Diesel)Fig. 19 - 725

<p>019-100 Steering Wheel</p> 	<p>019-200 Steering Column</p> 	<p>019-300 Steering Gear</p> 	<p>019-400 Steering Linkage</p> 
<p>019-500 Power Steering Pump</p> 	<p>019-700 Power Steering Hoses</p> 		

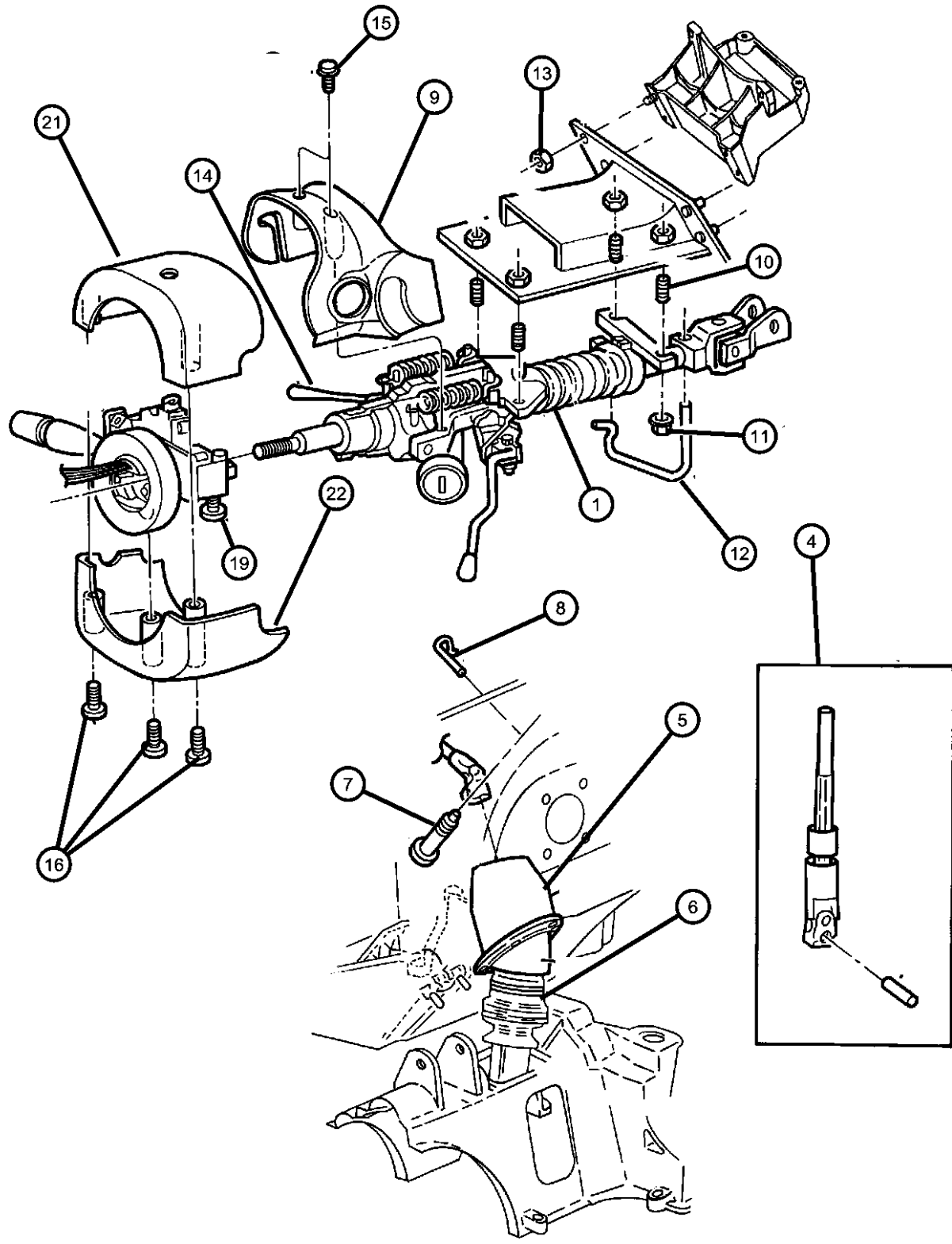
Wheel, Steering
Figure 19-145



ITEM	PART NUMBER	QTY	LINE	SERIES	BODY	ENGINE	TRANS	TRIM	DESCRIPTION
NHM = Automatic Speed Control									
1	04680327	1							COVER, Steering Wheel Trim
2	06032723	1							SCREW, Self Tapping, M4.2x1.69x19.05
3									SWITCH, Speed Control
	04685544	1							Rt Side
	04685545	1				ENC			Lt Side with 2.5 L Engine
	04685643	1				ECB, EDZ, EGA, EGH			Lt Side with 2.0 L, 2.4 L, 3.3 L, 3.8 L Engine
4	04685267	1							SWITCH, Multifunction, with or with out NHM
5									CLOCKSPRING
	04687628	1							with out NHM
	04687630	1							with NHM
6	04680396	1				EG0	DG0		DAMPER, Steering Wheel
7	06500906	1	C				DD3		NUT, Hex Lock, M14x1.5
8									WHEEL, Steering
	0GP41SC3	1	C						With Leather (Iris/Blue/Cirrus / Mist Gray)
		1	Y						With Leather (Iris/Blue/Cir- rus/Mist Gray)
		1	Z						With Leather (Iris/Blue/Cir- rus/Mist Gray)
	0GP41SK5	1	C						With Leather (Dark Taupe)
		1	Y						With Leather (Dark Taupe)
		1	Z						With Leather (Dark Taupe)
	0GP91SC3	1	C						With Out Leather (Iris/Blue/Cirrus/Mist Gray)
		1	Y						With Out Leather (Iris/Blue/Cirrus/Mist Gray)
		1	Z						With Out Leather (Iris/Blue/Cirrus Mist Gray)
	0GP91SK5	1	C						With Out Leather (Dark Taupe)
		1	Y						With Out Leather (Dark Taupe)
		1	Z						With Out Leather (dark Taupe)
9									AIR BAG, Driver
	0GP43SC3	1							Mist Gray
	0GP43SK5	1							Camel Tan/Agate
10	04680326	1							COVER, Steering Wheel Trim
-11	04685328	1							HOUSING, Switch

AR = use ase required - = Non illustrated part

Column, Steering Upper and Lower
Figure 19-245



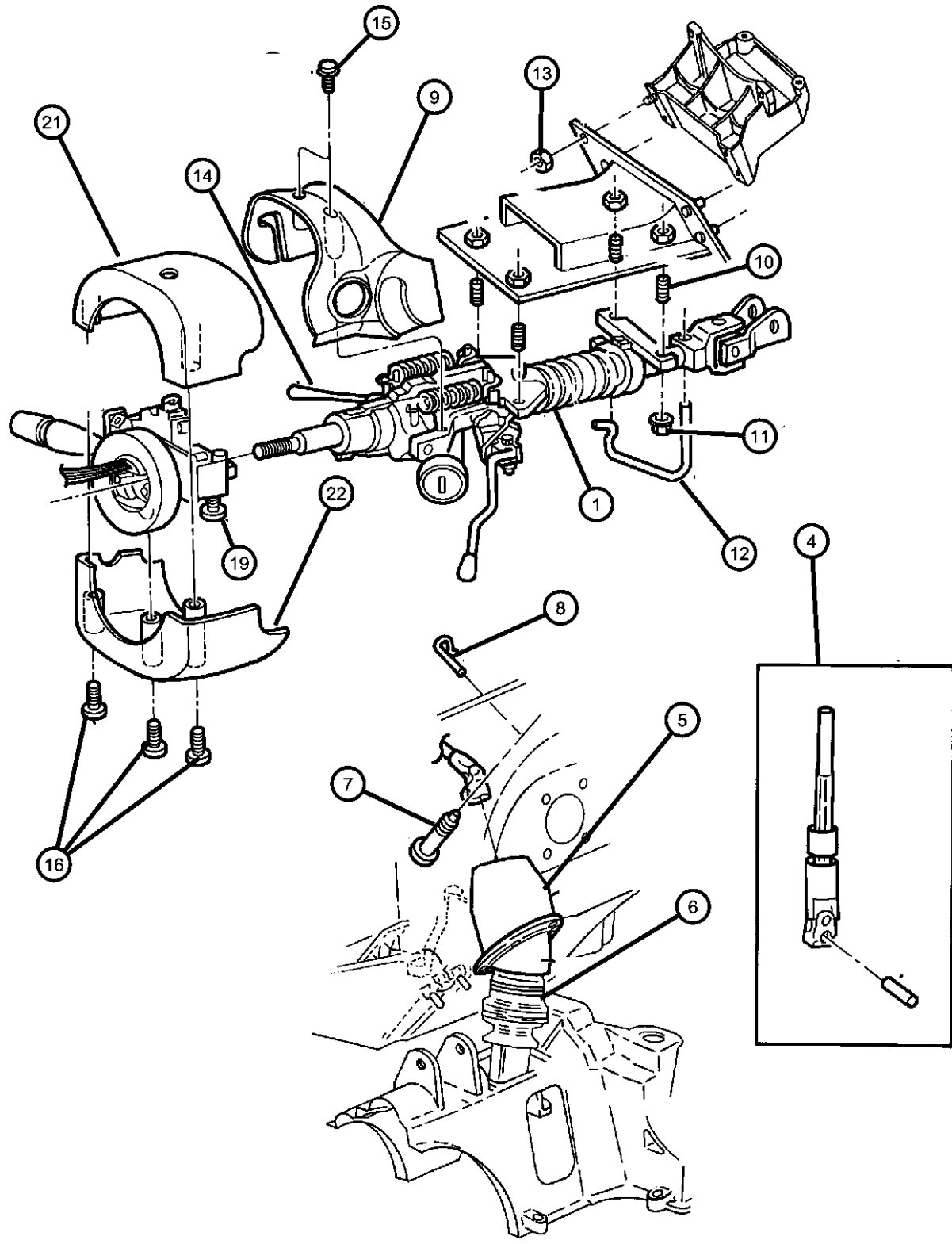
ITEM	PART NUMBER	QTY	LINE	SERIES	BODY	ENGINE	TRANS	TRIM	DESCRIPTION
------	-------------	-----	------	--------	------	--------	-------	------	-------------

Note: Sales Code ECB= 2.0L 4CYL SOHC 16V
 Note: Sales Code DDF=Manual 5-Speed
 Note: Sale Code DD3

1									COLUMN, Steering, Non tilt w/Floor Shift
	04680136	1					DD3, DDF		
	04680416	1	C, Y				DGL		w/Column Shift
	04680421	1	U, Z				DGL		
-2									COLUMN, Steering, Tilt w/Floor Shift
	04680125	1					DD3, DDF		
	04680415	1	C, Y				DGL		w/Column Shift
	04680420	1	U, Z				DGL		
-3									HOUSING, Steering Column
	04690196	1	C, Y				DGL		
		1	U, Z				DGL		
	04690197	1					DD3, DDF		
4									COUPLING, Steering Lower Steering
	04470934	1					DD3, DDF		
		1	C, Y				DGL		Lower Steering
		1	U, Z				DGL		Lower Steering
	04680407	1							Upper Steering
5	04680250	1	C, Y						SHIELD, Steering Coupling
6	04680152	1	C, Y						COVER, Steering Column Yoke
7	06502413	1							BOLT, Special Head Locking, M8x1.25x42.50
8	06503985	1							PIN, Spring, M8.4x30x1.60
9									SHROUD, Steering Column w/Tilt , Floor Shift
	04680178	1					DD3		
	04680179	1					DGL		w/Tilt Column Shift
	04680311	1					DGL		with out Tilt , Column Shift
	04680312	1					DD3		w/o Tilt, Floor Shift
10	06503761	4							STUD, M6x1.00mmx48.80mm
11	06503014	4							NUT AND WASHER, Hex, M6x1
12	06034206	1							PIN, Hair, .250 Dia x.766x.059
13									NUT, Hex Lock, M14x1.5
	04690339	1					DD3, DDF		
		1	C, Y				DGL		
		1	U, Z				DGL		
14									LEVER, Tilt Column Release
	04874912	1	C, Y				DGL		
		1	U, Z				DGL		
15									SCREW, Pan Head, .25-20x.62
	04690023	2	C				DD3		

AR = use ase required - = Non illustrated part

Column, Steering Upper and Lower
Figure 19-245



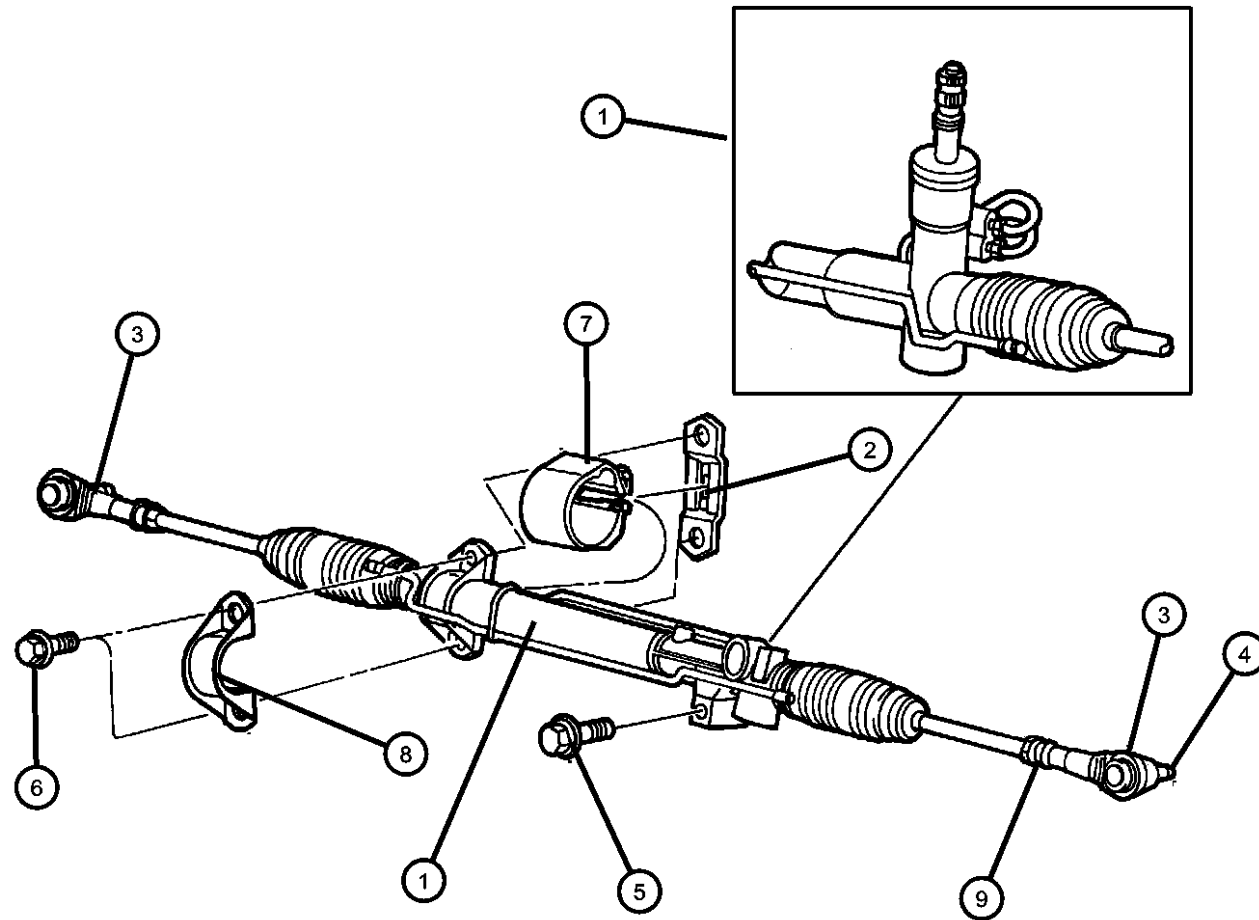
ITEM	PART NUMBER	QTY	LINE	SERIES	BODY	ENGINE	TRANS	TRIM	DESCRIPTION
		2	Y				DD3		
		2	Z				DD3		
		4	C, Y				DGL		
		4	U, Z				DGL		
16		4							SCREW, .164-15x1.00, (NOT SERVICED)
-17									NUT, Hex Lock, M14x1.5
	06500906	1	Y				DGL		Steering Column
		1					DD3		Steering Column
		1	C				DGL		Steering Column
-18	06034978	3							SCREW, Hex Flange Head Tapping, .19-16x1.00, Dash Cover to Floor
19	06034978	3							SCREW, (Service in Housing- Multi Switch), (NOT SERVICED)
-20	04680353	1	Z						COVER AND SHIELD, Dash
21									SHROUD, Lock Housing
	0GR70SC3	1							(Iris Blue/Cirrus/Mist Gray)
	0GR70SK5	1							(Dark Taupe)
22									COVER, Steering Column Bearing
	0GR71SC3	1							(Iris/Blue/Cirrus/Mist Gray)
	0GR71SK5	1							(Dark Taupe)

AR = use ase required - = Non illustrated part

Gear, Rack and Pinion Power
Figure 19-321

ITEM	PART NUMBER	QTY	LINE	SERIES	BODY	ENGINE	TRANS	TRIM	DESCRIPTION
------	-------------	-----	------	--------	------	--------	-------	------	-------------

Note:Sales Code ECB=2.0 4 CYL SOHC
 Note:Sales Code EDZ=2.4L 4 CYL Turo Diesel
 Note: Sales Code EGA=3.3L V6
 Note:Sales Code EGH=3.8L V6
 Note:Sales Code ENC=2.5L 4CYL Turbo Diesel



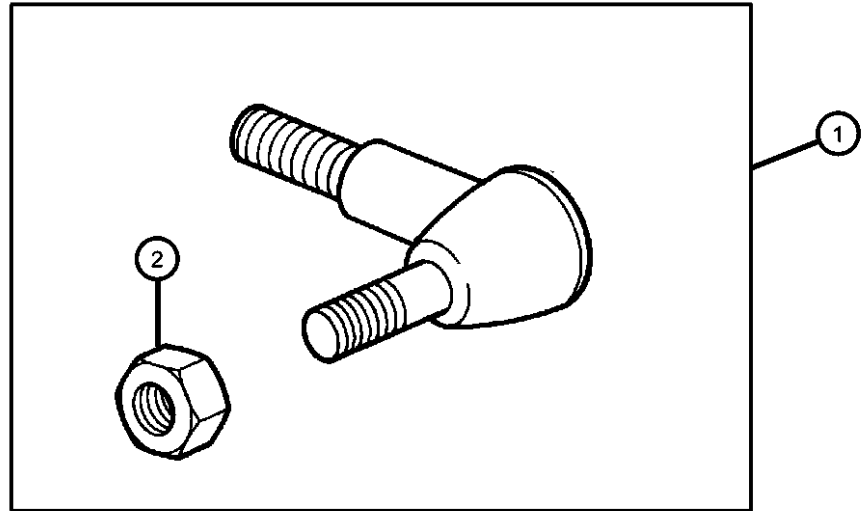
1									GEAR, Power Steering
	04684270	1	Z						
	04743430	1	Y			EC0, ED0			
	04743860	1	Y			EG0, EN0			
		1	C						
2	04684275	1	C, Y						BRACKET, Steering Gear
3									END, Tie Rod
	04797706	1	Y			EC0, ED0			
		1	C						
4	06503046	2							NUT, Hex Lock, M12 x 1.25
5									SCREW AND WASHER, Hex Head, M14-2x95
	06504585	1	C, Y						
		2	Z						
6	06503277	2	C, Y						BOLT AND WASHER, Hexagon Head, M14x2.00x51.00
7	04684272	1	C, Y						BUSHING, Steering Gear
8	04684274	1	C, Y						BRACKET, Steering Gear
9									NUT, Steering Gear Lock
	03815867	1	Y			EG0, EN0			
		1	C						
		1	Z						

AR = use ase required - = Non illustrated part

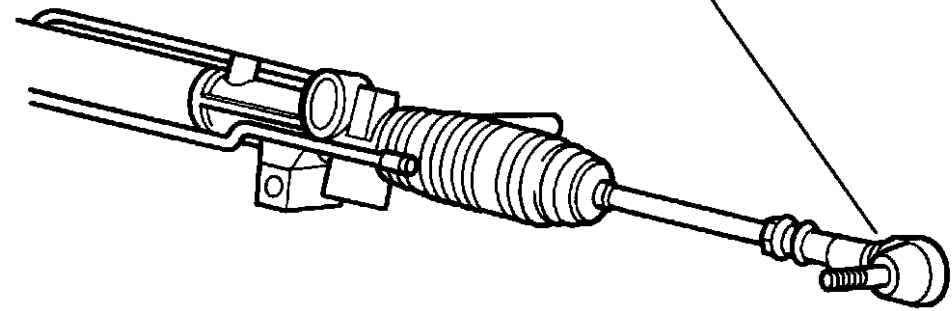
**Tie Rod Ends
Figure 19-431**

ITEM	PART NUMBER	QTY	LINE	SERIES	BODY	ENGINE	TRANS	TRIM	DESCRIPTION
------	-------------	-----	------	--------	------	--------	-------	------	-------------

Note:Sales Code= ECB 2.0L 4-CYL SOHC
 Note:Sales Code=EDZ 2.4L 4-CYL Turbo Diesel
 Notes:Sales Code=EGA 3.3L V6
 Notes:Sales Code=EGH 3.8L V6
 Note:Sales Code=ENC 2.5L 4-CYL Turbo Diesel

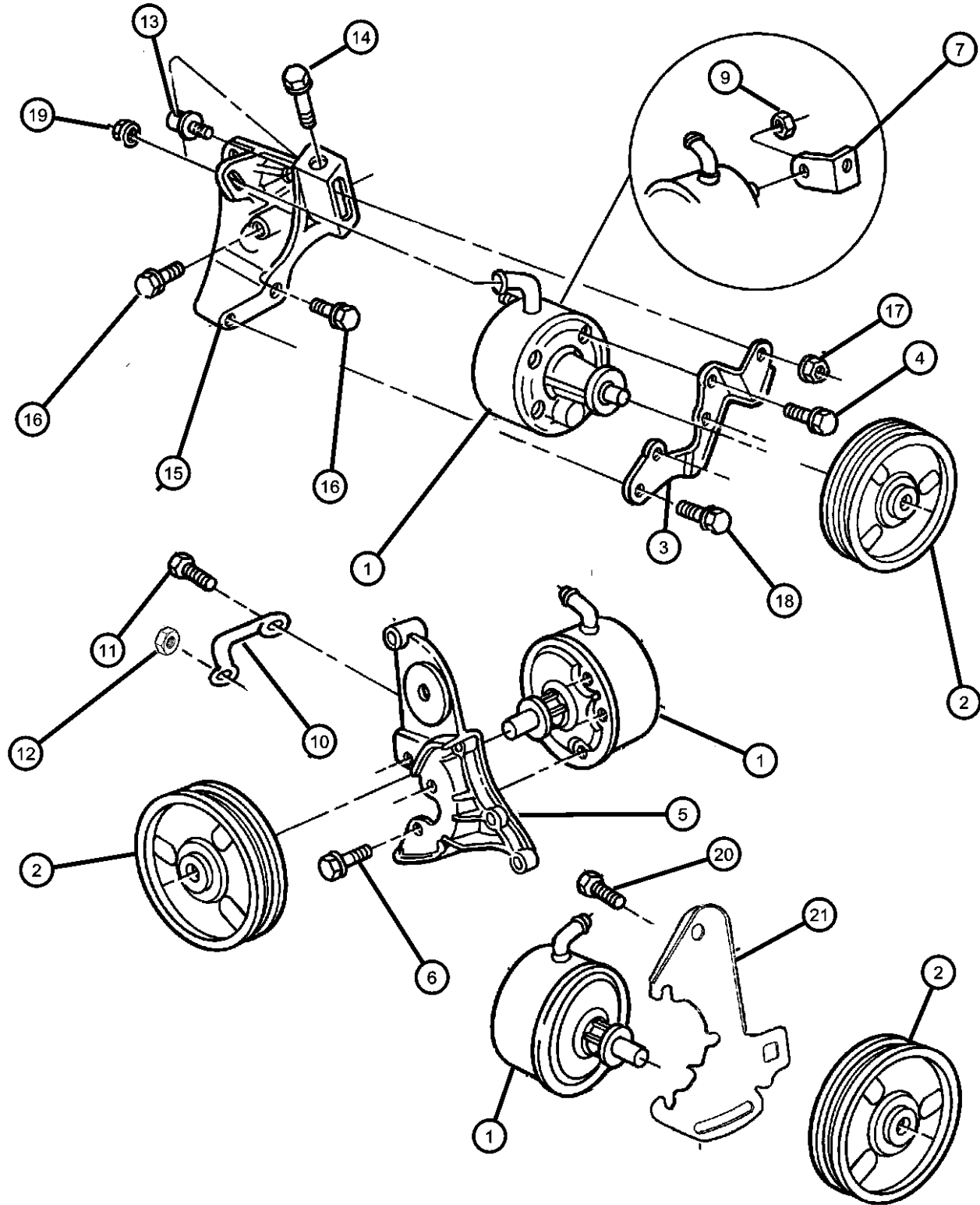


1									END, Tie Rod
	04797706	1	Y			EC0, ED0			
		1	C						
		1	Z						
2									NUT, Steering Gear Lock
	03815867	1	Y			EG0, EN0			
		1	C						
		1	Z						
-3	06503046	2							NUT, Hex Lock, M12 x 1.25



AR = use ase required - = Non illustrated part

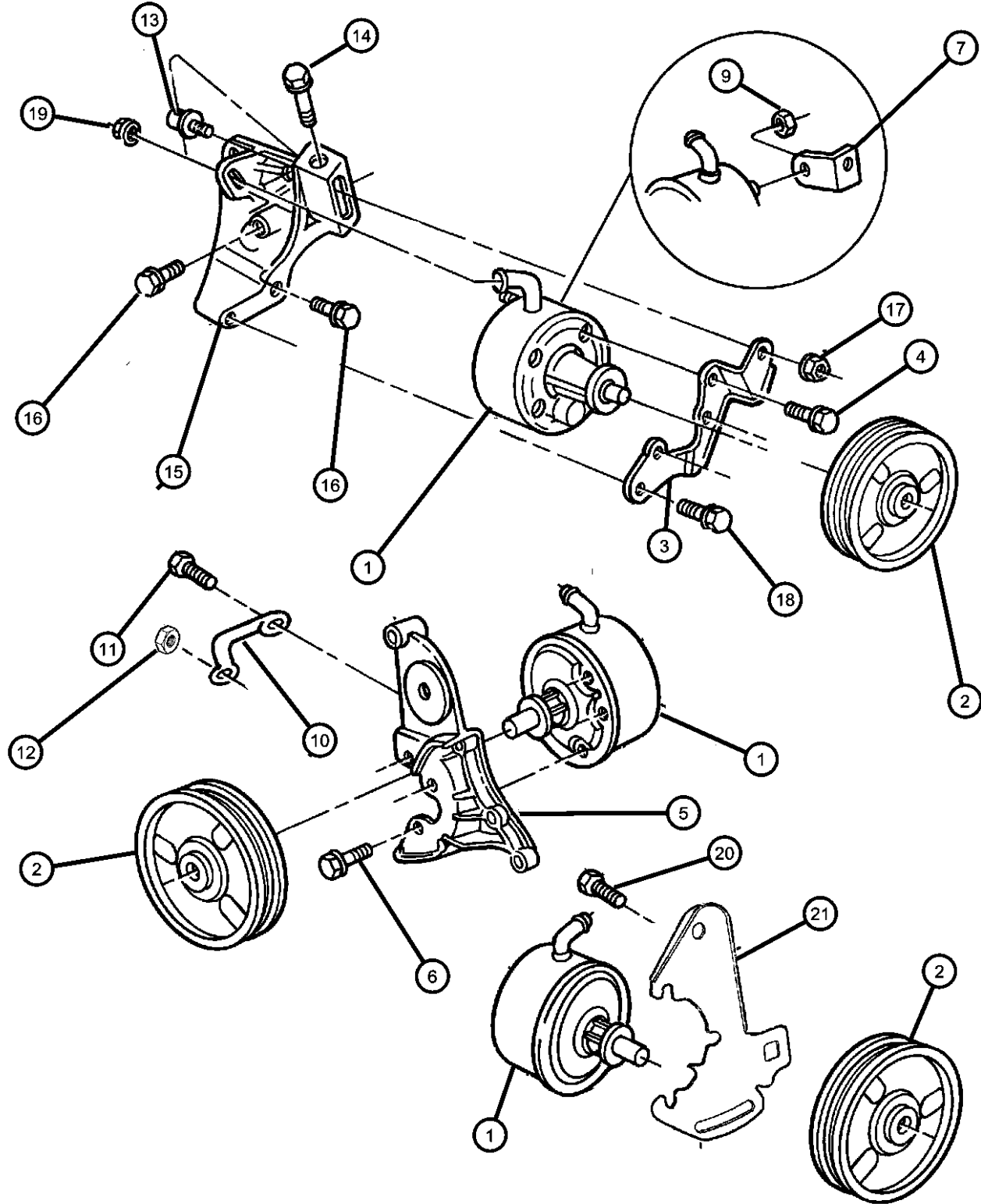
**Pump Assembly and Mounting
Figure 19-535**



ITEM	PART NUMBER	QTY	LINE	SERIES	BODY	ENGINE	TRANS	TRIM	DESCRIPTION
Note:Sales Code EGA=3.3L V6 Note:Sales Code EGH=3.8L V6 Note:Sales Code EDZ=2.4L 4CYC DOHC 16V Note:SalesCode ECB=2.0L 4CYC SOHC 16V									
1	04684156	1				EG0			PUMP, Power Steering
	R4684156AB								Mopar Remanufactured Part
	04684158	1				ED0			
	04684499	1				ECB			
	04684500AB	1		Y, Z		ECB			
	05012416AA	1		C, Y, Z		ENC			
2									PULLEY, Power Steering Pump
	04573747	1				ECB			
	04612383	1				EDZ			
	05281262	1				EGA, EGH			
3	04612521	1				EDZ			BRACKET, Power Steering Pump
4	06500399	3				EDZ			BOLT, Hex Head, M10x1.5x20
5	04612674	1				EGA, EGH			BRACKET, Pump
6	06101503	3				EGA, EGH			SCREW AND WASHER, Hex Head, M10x1.5x25
7	04612676	1				EGA, EGH			BRACKET, Power Steering Pump
-8	06101503	1				EGA, EGH			SCREW AND WASHER, Hex Head, M10x1.5x25, Strut to Engine Block
9	06501926	1				EGA, EGH			NUT AND WASHER, Hex Nut-Coned Washer, M10 x 1.5
10	04612481	1				EGA, EGH			STRUT, Pump Bracket
11	06101524	1				EGA, EGH			BOLT AND WASHER, Hex Head, M10x1.5x30
12	06501926	1				EGA, EGH			NUT AND WASHER, Hex Nut-Coned Washer, M10 x 1.5
13	06501775	1				EDZ			BOLT, Special Head, M10x1.5x40
14	06502955	1				EDZ			SCREW AND WASHER, Hex Head, M8x1.25x90
15	04612520	1				EDZ			BRACKET, Power Steering Pump
16	06101524	4				EDZ			BOLT AND WASHER, Hex Head, M10x1.5x30
17	06101448	1				EDZ			NUT AND WASHER, Hex Nut-Coned Washer, M10 x 1.5
18	06101524	1				EDZ			BOLT AND WASHER, Hex Head, M10x1.5x30
19	06101448	1				EDZ			NUT AND WASHER, Hex Nut-Coned Washer, M10 x 1.5
20	06101514	2				ECB			BOLT AND WASHER, Hex Head, M10x1.5x35
21	04663050	1				ECB			BRACKET, Power Steering

AR = use ase required - = Non illustrated part

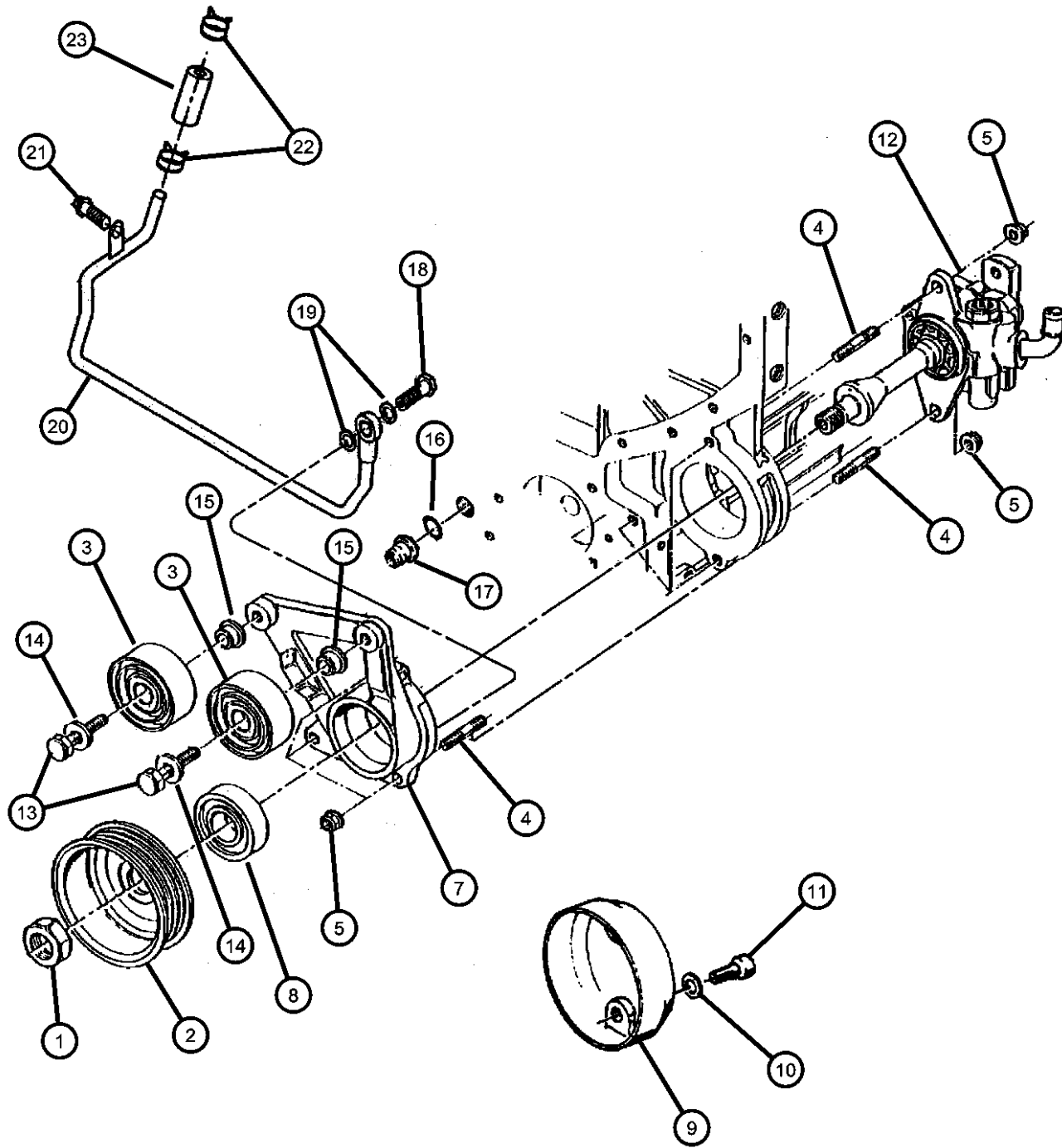
Pump Assembly and Mounting
Figure 19-535



ITEM	PART NUMBER	QTY	LINE	SERIES	BODY	ENGINE	TRANS	TRIM	DESCRIPTION
-22	06101524	1				ECB			BOLT AND WASHER, Hex Head, M10x1.5x30, Pivot Bracket to Pump Bracket or Power Steering Bracket to Block
-23	06101759	1				ECB			SCREW AND WASHER, Hex Head, M8x1.25x35
		3				ECB			Bracket to Power Steering Pump Rear
									Pivot Bracket to Pump

AR = use ase required - = Non illustrated part

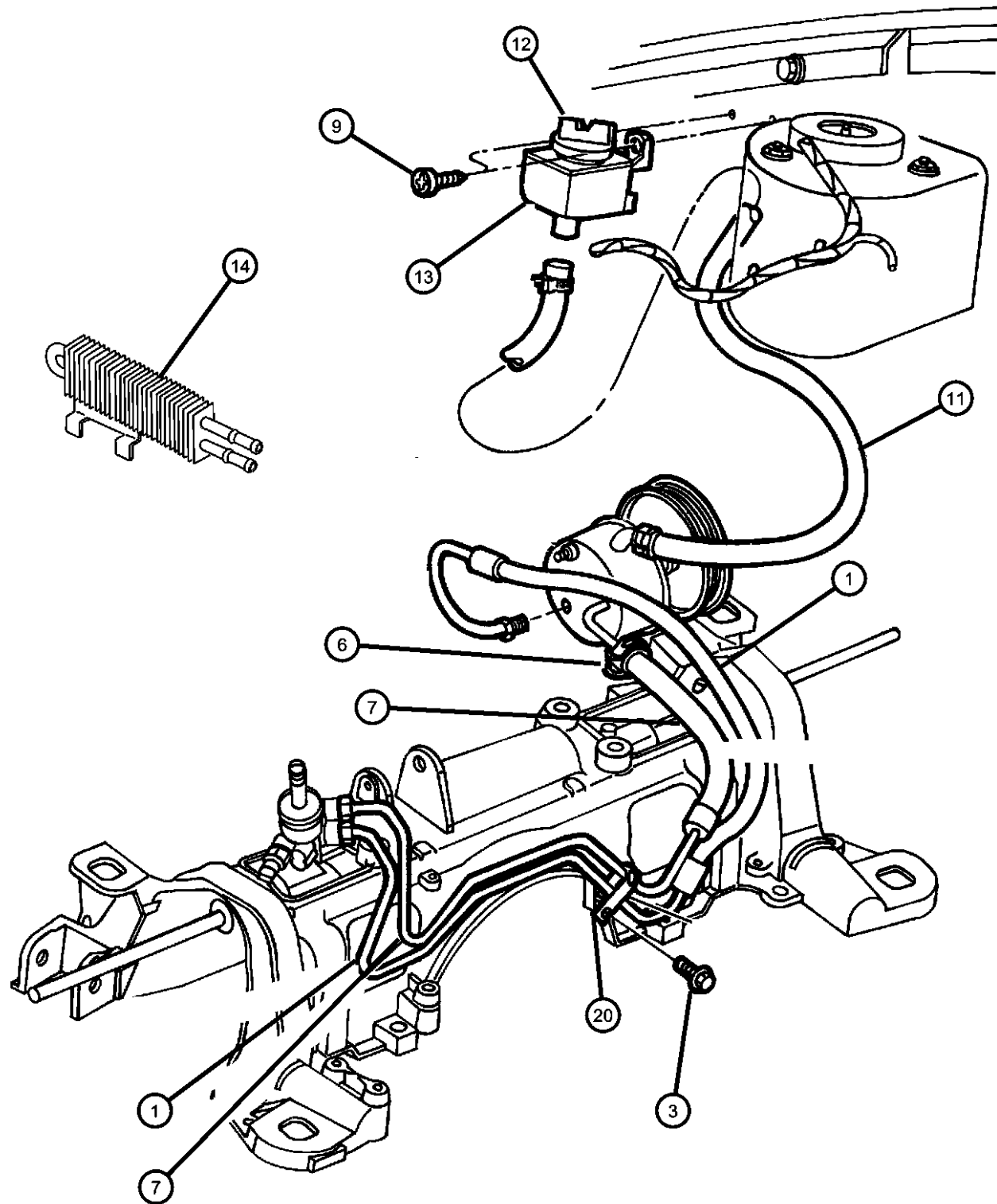
Attaching Parts Pump Assembly (Diesel)
Figure 19-555



ITEM	PART NUMBER	QTY	LINE	SERIES	BODY	ENGINE	TRANS	TRIM	DESCRIPTION
1	04882624	1				ENC			NUT
2	04882625	1				ENC			PULLEY, Power Steering Pump
3	04883411AA	2				ENC			PULLEY, Idler
4	04723331	5				ENC			STUD, M8x25
5	04778961	26				ENC			NUT, Flanged M8 Qty 04 Required
-6	04684475	1				EN0			BOLT, Hex Head, M16x1.5x26
7	04863867	1				ENC			BRACKET
8	04723339	1				ENC			BEARING, Power Steering Pump Shaft
9	04694721	1				EN0			COVER, Steering Pump Housing
10	06950006	2				EN0			WASHER, Flat, M8.35x14x1.42
11	06950002	2				EN0			SCREW, Socket Head, M8x1.25x16
12	04883370AA	1				ENC			PUMP, Power Steering
13	04883370AA	1							BOLT, Alternator Bracket, Pulley Idler (Service in Pulley, Idler) 1997, (NOT REQUIRED)
14	04883370AA	1							WASHER, Special Pulley Idler (Service in Pulley, Idler), (NOT REQUIRED)
15	04883370AA	1							BUSHING, Idler Pulley Bearing (Service in Pulley, Idler) 1997, (NOT REQUIRED)
16	04883370AA	1							GASKET, Valve, (NOT REQUIRED)
17	04883370AA	1							VALVE, Vacuum Pump, (NOT REQUIRED)
18	04883370AA	1							BOLT, Banjo, (NOT REQUIRED)
19	04883370AA	1							WASHER, Plain, (NOT REQUIRED)
20	04883370AA	1							TUBE, Vacuum, (NOT REQUIRED)
21	04883370AA	1							SCREW, (NOT REQUIRED)
22	04883370AA	1							CLAMP, Heater Hose, (NOT REQUIRED)
23	04883370AA	1							TUBE, Vacuum, (NOT REQUIRED)
-24	04883370AA	1							PLUG, (NOT REQUIRED)

AR = use ase required - = Non illustrated part

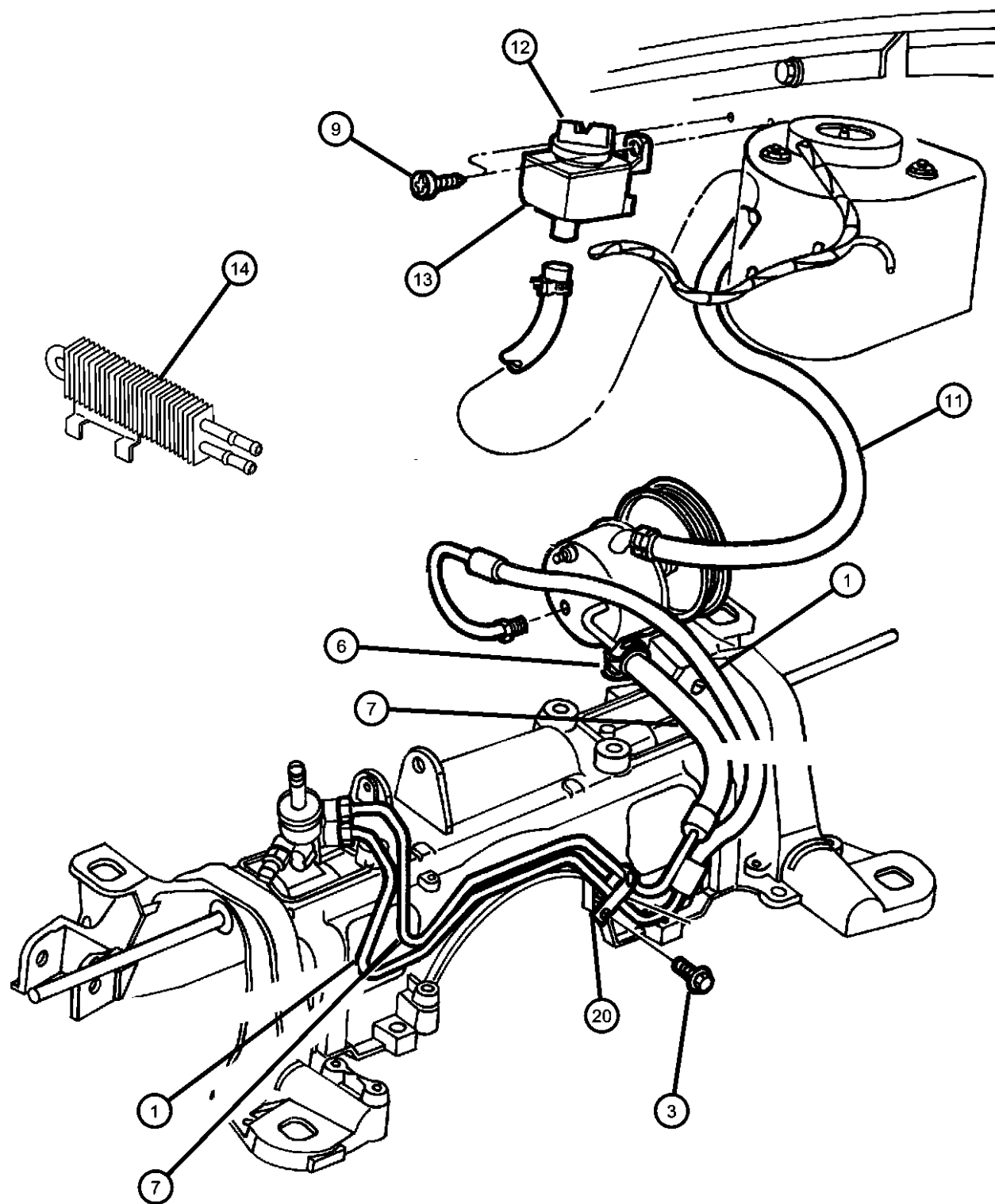
Hoses, Power Steering
Figure 19-721



ITEM	PART NUMBER	QTY	LINE	SERIES	BODY	ENGINE	TRANS	TRIM	DESCRIPTION
Notes:Sales Code ECB=2.0L 4-CYL SOHC Note:Sales Code EDZ=2.4L 4CYL Turbo Diesel Note:Sales Code EGA=3.3L V6 Note:Sales Code EGH=3.8L V6 Note:Sales Code ENC=2.5L 4CYL Turbo Diesel									
1									HOSE, Power Steering Pressure
	04684320	1	Y			ED0			
	04684322	1	Y			EF0, EGO			
	04684324	1	C			EG0			
	04743444	1	U, Z			EG0			
-2									HOSE, Power Steering Pressure
	04743440AB	1	Z			ECB			
	04743510AC	1	Y			ECB			
3	06504115	1				EC0, ED0, EGO			SCREW AND WASHER, Head Head Lock, M8-1.25x30.00, Power Steering Bracket to Crossmember
-4	06503543	1				EC0, ED0, EGO			BOLT AND CONED WASHER, Hex Head, M8x1.25x25, Power Steering Bracket to Crossmember
-5	06502696	1				EG0			NUT, Hex Flange Lock, M14x1.50, Power Steering Bracket to Crossmember
6	02448761	1				ECB			CLAMP, Hose
7									HOSE, Power Steering Return
	04684321	1	Y			ED0			
	04684323	1	Y			EG0			
	04684325	1	C			EG0			
	04743445	1	U, Z			EG0			
-8	04743441AA	1	Z			ECB			HOSE, Power Steering, Return
9	06035014	2				ED0, EGO			SCREW, Hex Flange Head Tapping, .25-14x.75
-10	06502905	3				ECB			SCREW, Hex Flange Head, M8x1.25x23, Power Steering Reservoir Mount
11									HOSE, Power Steering Reservoir
	04684146	1				EG0			
	04684148	1				ED0			
	04684149	1				ECB			
12	04684143	1				ED0, EGO			CAP, Power Steering Reservoir
13									RESERVOIR, Power Steering Pump
	04626846	1				ECB, EN0			
	04684140	1				ED0, EGO			
14									COOLER, Power Steering
	04743514AA	1	Y			ECB			
		1	Z			ECB			
-15									HOSE, Power Steering

AR = use ase required - = Non illustrated part

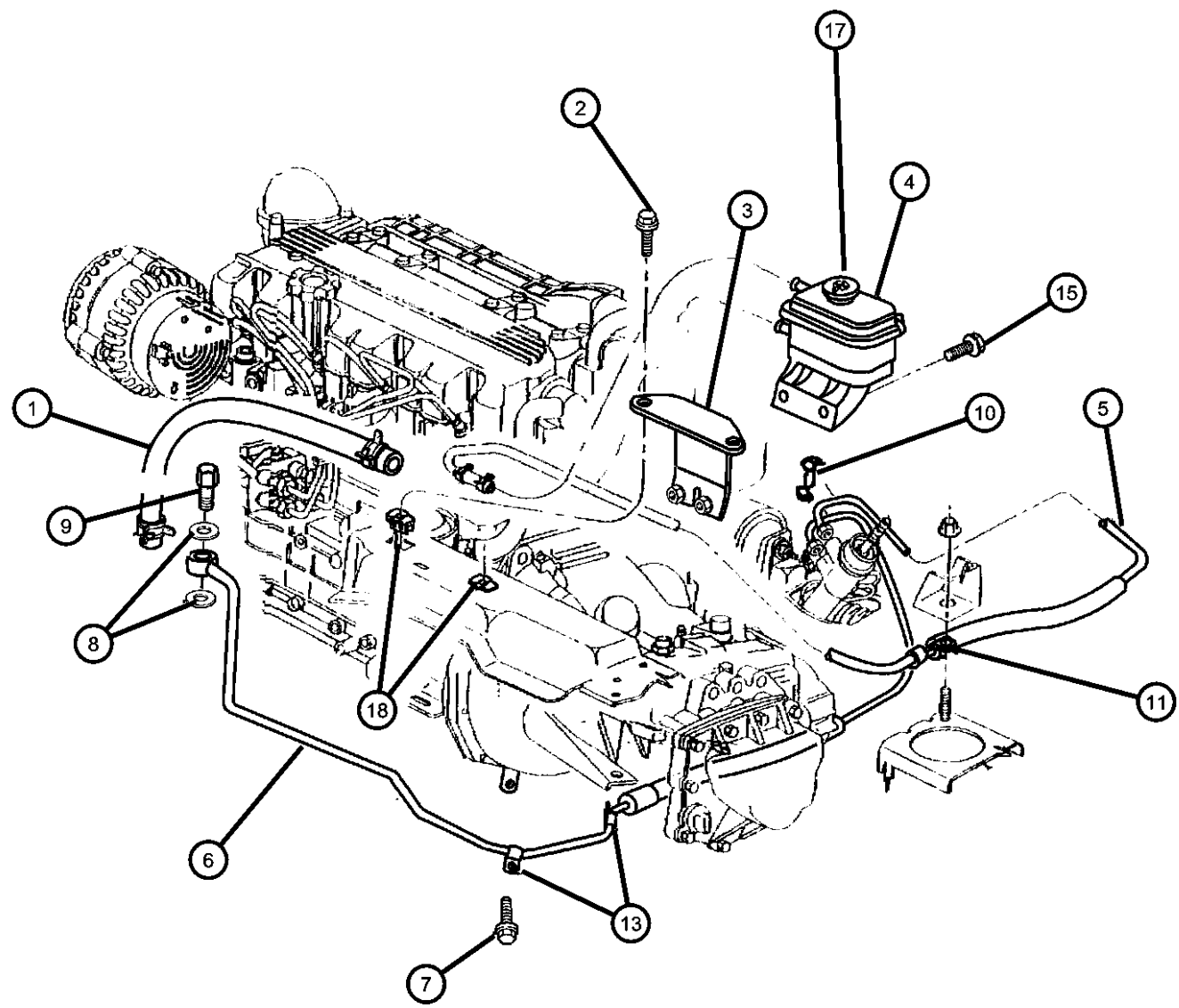
Hoses, Power Steering
Figure 19-721



ITEM	PART NUMBER	QTY	LINE	SERIES	BODY	ENGINE	TRANS	TRIM	DESCRIPTION
	04743512AA	1	Y			ECB			Gear to Pwr Strg Oil Cooler
	04743513AA	1	Y			ECB			Oil Cooler to Pwr Strg Rsvr /
-16	04694743	1	U, Z						SHIELD, Heat
-17	06504657	2	U, Z						SCREW, Hex Head, M8 x 1.25 x 10.00, Heat Shield
-18	06035824	1				ED0, EG0			CLAMP, Power Steering Hose, .790-Dia
-19									STRAP, Tie
	04641780	1	Y, Z			EDZ, EGA			Power Steering Return Heat Shield
		1	C, U			EGH			
20									CLIP, Bracket
	04694846	1	C, Y			ED0, EG0			
		1	Z			EC0			
-21		1							HOSE, Power Steering, (NOT REQUIRED)

AR = use ase required - = Non illustrated part

Hoses, Power Steering (Diesel)
Figure 19-725

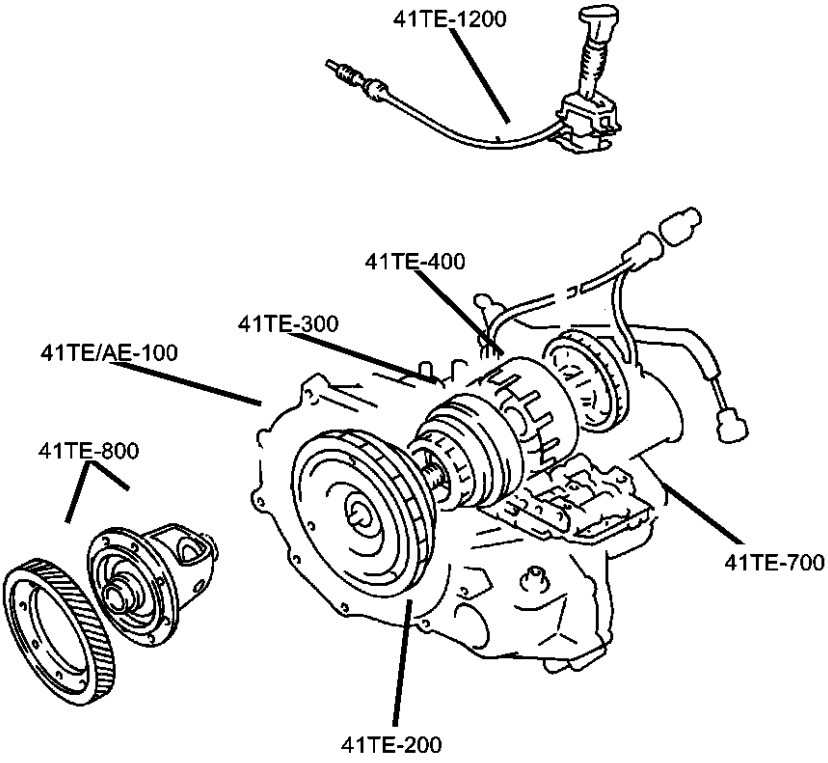


ITEM	PART NUMBER	QTY	LINE	SERIES	BODY	ENGINE	TRANS	TRIM	DESCRIPTION
Note:Sales Code ENC=2.5L 4-CYL Turbo Diesel									
Note:Sales Code ECB=2.0L 4-CYL SOHC									
Note Sales Code En0=All 4-CYL Turbo									
1	04684150	1				EN0			HOSE, Power Steering Reservoir
2	06101718	2				EN0			SCREW AND WASHER, Oval Head, M6x1x25
3	04694746	1				EN0			BRACKET, Power Steering Reservoir
4	04626846	1				ECB, EN0			RESERVOIR, Power Steering Pump, with Cap
5	04684327	1	Y			EN0			HOSE, Power Steering Return
6	04684326	1	Y			EN0			HOSE, Power Steering Pressure
7	34201808	2				EN0			SCREW AND CONED WASHER, Hex Head, M6x1.00x16.00
8	04684397	2				EN0			O RING, Power Steering Hose
9	04684475	1				EN0			BOLT, Hex Head, M16x1.5x26
10	04695734	1	C, Y			EN0			CLIP, Power Steering Hose
11	04694843	1				EN0			BRACKET, Power Steering Hose
-12	04641780	1				ENC			STRAP, Tie
13	02207919	2				EN0			CLIP, Parking Brake Cable
-14	02207919	2							CLAMP, Round Type, Spring Use 6502017, (NOT SERVICED)
15	02207919	2							SCREW, With Washer Hex Cone Washer M8x1.25x25.00, (NOT SERVICED)
-16	02207919	2							SCREW, With Washer Hex Cone M8x1.25x30.00, (NOT SERVICED)
17	04695775	1				ECB, EN0			CAP, Power Steering Reservoir
18	06503903	2				EN0			NUT, M6x1.00
-19									HOSE, Power Steering
	04743440AB	1	Z			ECB			ECB
	04743510AC	1	Y			ECB			ECB

AR = use ase required - = Non illustrated part

Group - 41TE-AE

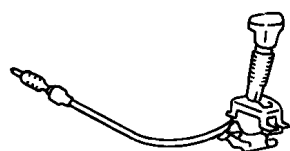
Automatic Transaxle 4 Speed



41TE-AE-100
Transaxle Assembly



41TE-AE-1200
Gearshift Controls



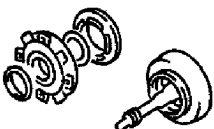
41TE-AE-200
Case and Extension



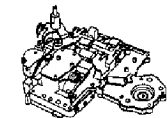
41TE-AE-300
Oil Pump



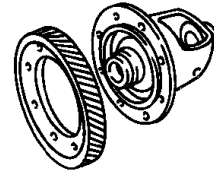
41TE-AE-400
Gear Train



41TE-AE-700
Valve Body



41TE-AE-800
Differential



Group - 41TE-AE Automatic Transaxle 4 Speed

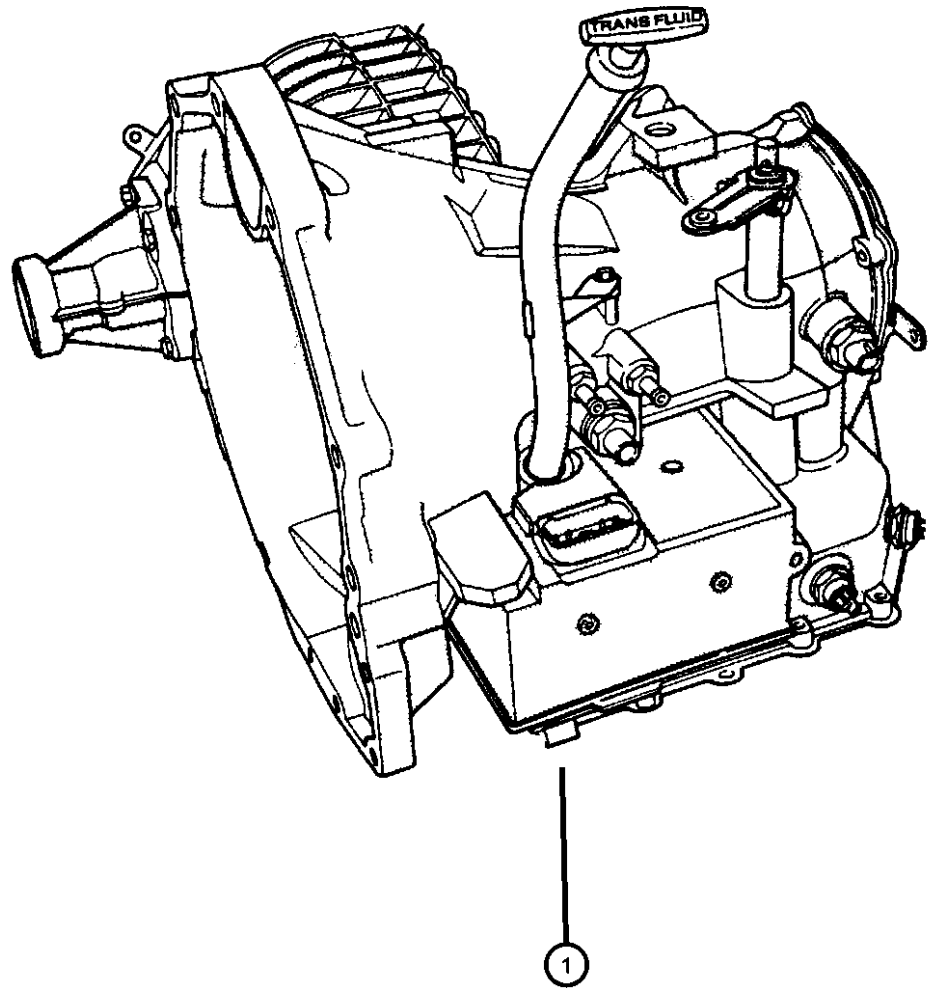
Illustration Title	Group-Fig. No.
Transaxle Assembly	
Transaxle Assembly	Fig. 41TE-AE - 120
Case and Extension	
Transaxle Mounting	Fig. 41TE-AE - 220
Case, Extension and Solenoid	Fig. 41TE-AE - 240
Oil Pump	
Pump, Oil With Reaction Shaft.....	Fig. 41TE-AE - 320
Gear Train	
Shaft, Transfer.....	Fig. 41TE-AE - 415
Clutch, Input Shaft	Fig. 41TE-AE - 425
Gear Train	Fig. 41TE-AE - 440
Valve Body	
Valve Body.....	Fig. 41TE-AE - 715
Accumulator Piston And Springs.....	Fig. 41TE-AE - 725
Parking Sprag	Fig. 41TE-AE - 740
Differential	
Differential	Fig. 41TE-AE - 820
Gearshift Controls	
Controls, Gearshift, Column Shift.....	Fig. 41TE-AE - 1225

Transaxle Assembly
Figure 41TE-AE-120

ITEM	PART NUMBER	QTY	LINE	SERIES	BODY	ENGINE	TRANS	TRIM	DESCRIPTION
------	-------------	-----	------	--------	------	--------	-------	------	-------------

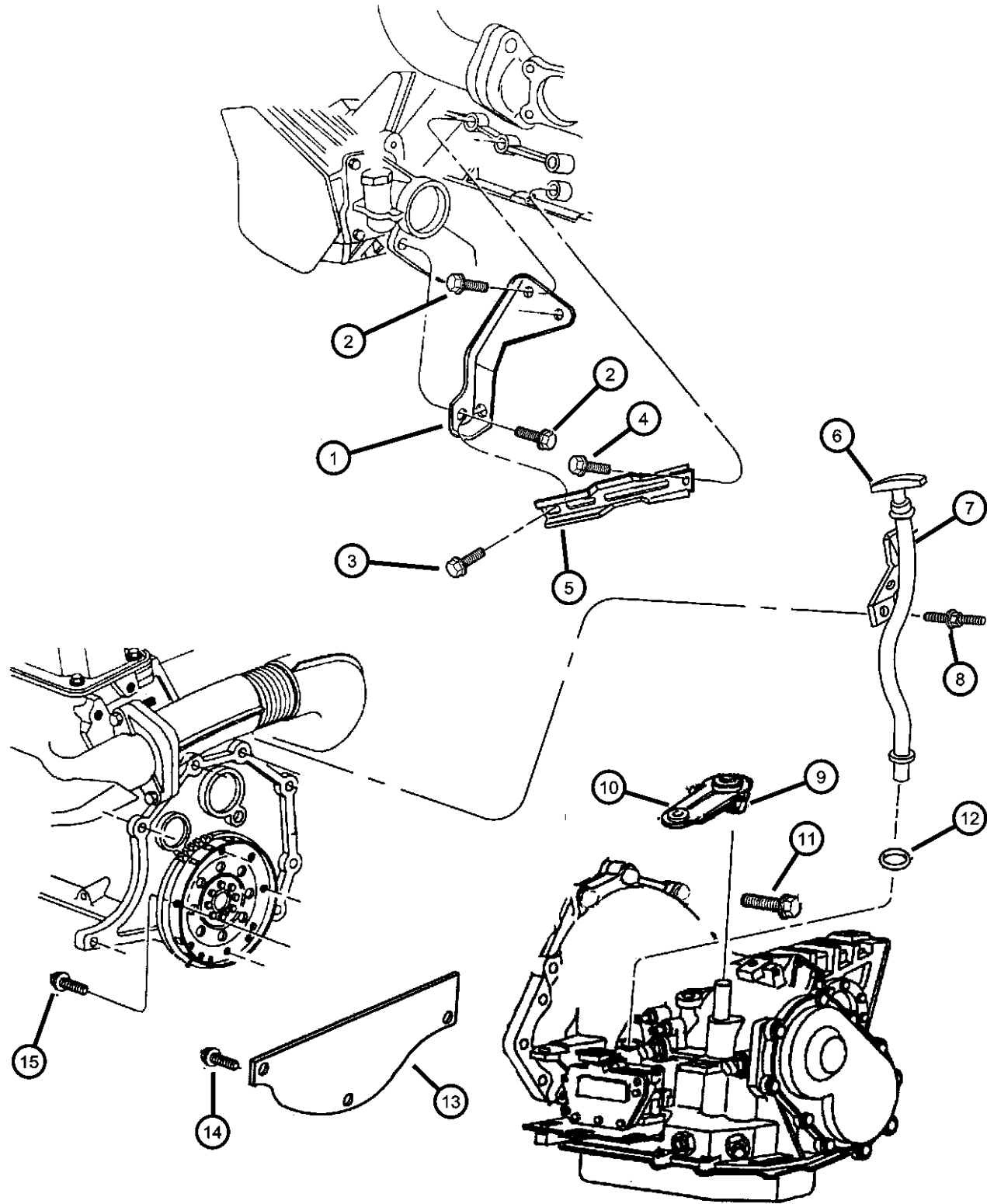
NOTE: DGL = 4 Spd Auto Trans 41TE - FWD
 ECB = 2.0L 4 Cyl - SOHC
 EDZ = 2.4L 4 Cyl - DOHC
 EEB = 2.5L V6 Gas - SOHC

1									TRANSAXLE PACKAGE, WITH TORQUE CONVERTER
	04883030	1				EDZ	DGL		Mopar Remanufactured Part
	R4883030AA								
	04883031	1				EGA			Mopar Remanufactured Part
	R4883031AA								
	04883033	1				EGH	DGL		Mopar Remanufactured Part
	R4883033AA								



AR = use ase required - = Non illustrated part

Transaxle Mounting
Figure 41TE-AE-220



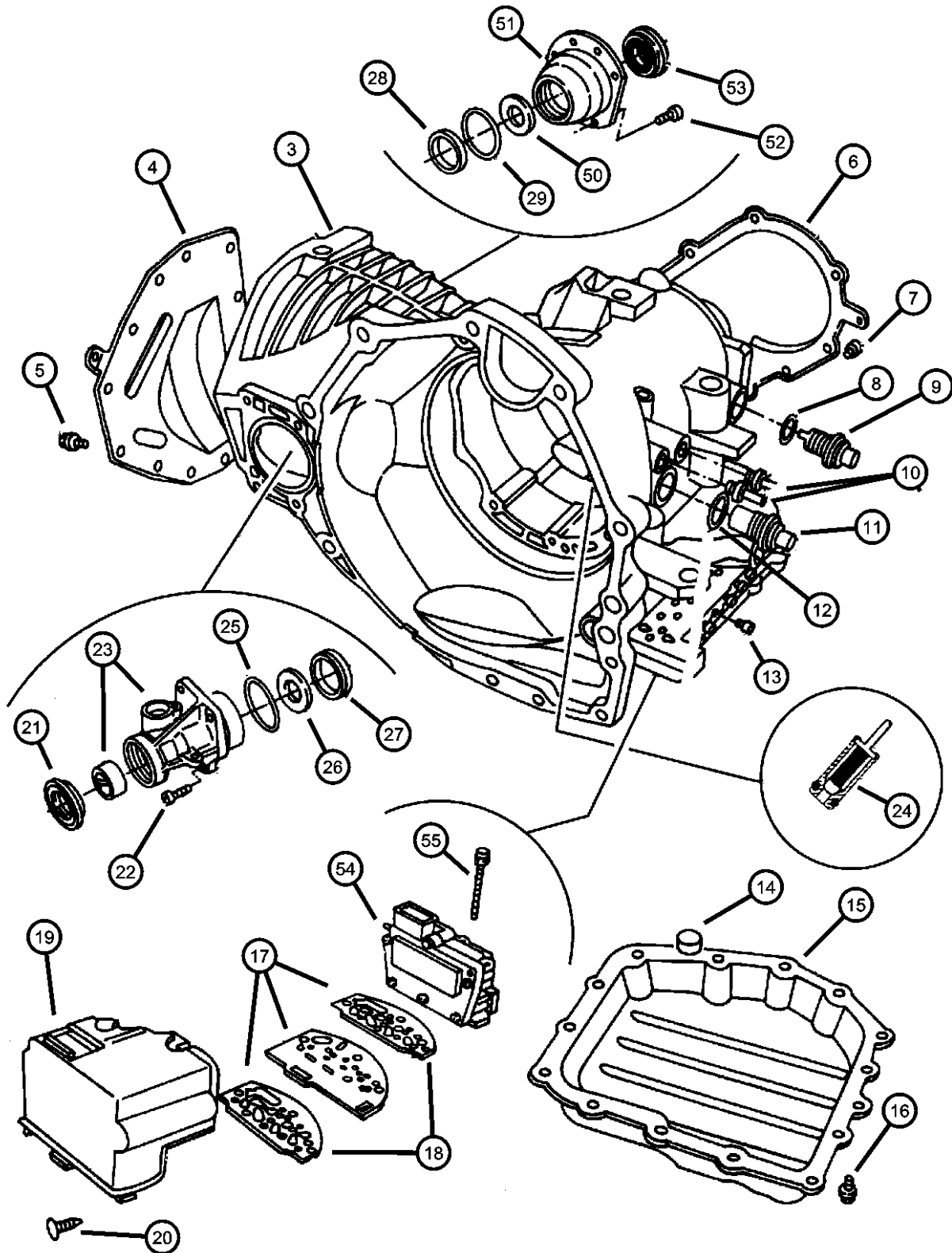
ITEM	PART NUMBER	QTY	LINE	SERIES	BODY	ENGINE	TRANS	TRIM	DESCRIPTION
------	-------------	-----	------	--------	------	--------	-------	------	-------------

NOTE:
Sales Codes:
EDZ=2.4L 4CYL. DOHC 16V
EGA=3.3L V-6 MPI
EGH=3.8L V-6 MPI
DGL=4 Speed Automatic Transmission

1	04641496	1				EGA, EGH			BRACE, Transmission
2	06101503	3				EGA, EGH			SCREW AND WASHER, Hex Head, M10x1.5x25
3	06500267	1	Y, Z			EGA, EGH			SCREW AND WASHER, Hex Head, M10x1.5x16
4	06500399	1	Y, Z			EGA, EGH			BOLT, Hex Head, M10x1.5x20
5	04531633	1	Y, Z			EGA, EGH			BRACE, Transmission
6	04659086	1				EGA, EGH			INDICATOR, Transmission Fluid Level
7	04567983	1				EGA, EGH			TUBE, Filler
8	06504035	1				ECB, ENC			STUD, M8x1.25x41.00
9	06101978	1					DGL		SCREW AND WASHER, Hex Head, M8-1.25x40
10	04670322	1					DGL		LEVER, Manual Control
11	06501164	5				EGA, EGH			SCREW, Hex Head, M12x1.75x50
12	52107671	1					DGL		SEAL, Oil Filler Tube
13	04641497	1				EGA, EGH			COVER, Transaxle Converter
14	06500136	2				EGA, EGH			SCREW AND WASHER, Hex Head, M6x1x14
15	06501099	4					DGL		BOLT, Hex Head, M10x1.50 x 13.20
-16	06030608	1	C, Y, Z				DGL		SEAL, Oil Filler Tube

AR = use ase required - = Non illustrated part

Case, Extension and Solenoid
Figure 41TE-AE-240



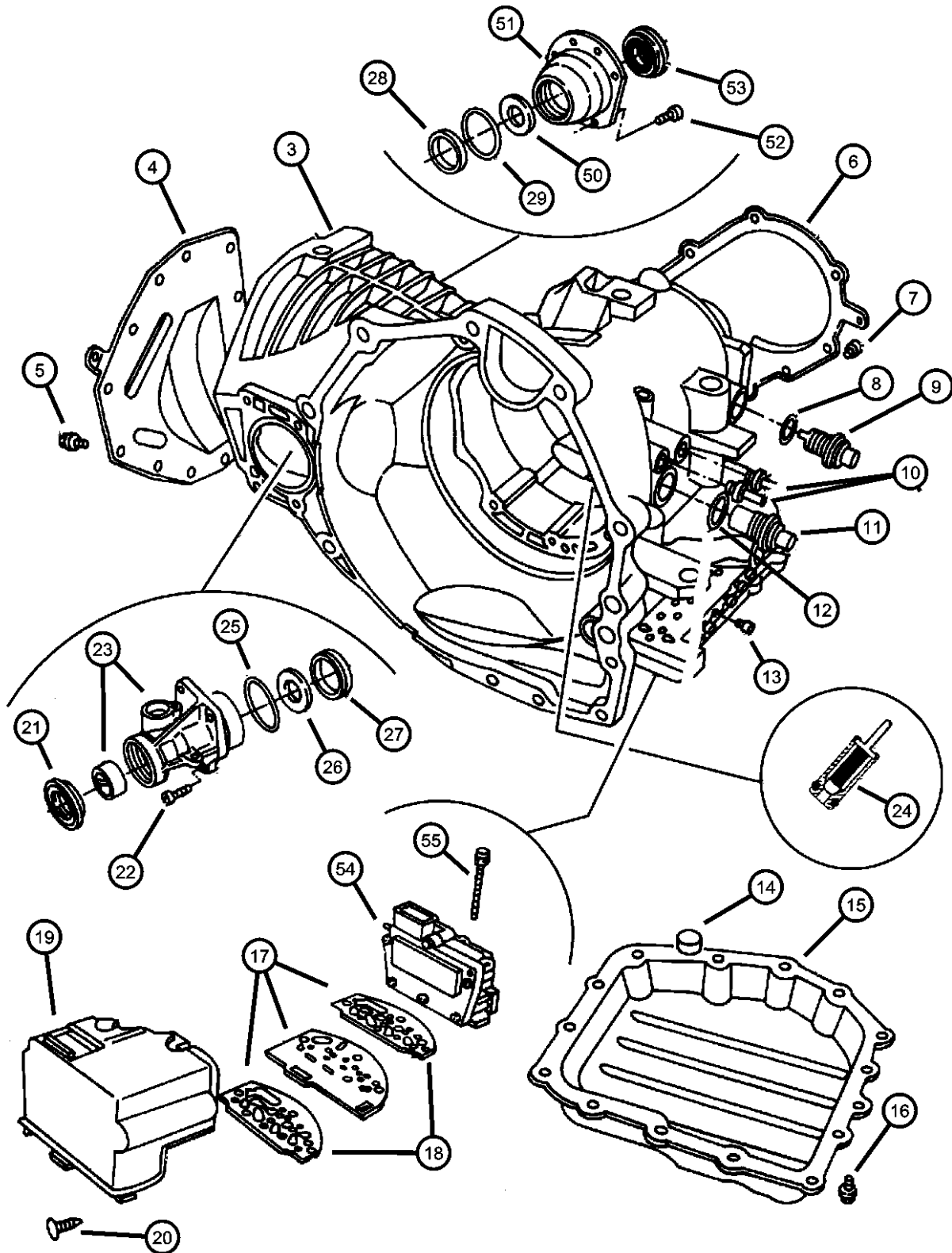
ITEM	PART NUMBER	QTY	LINE	SERIES	BODY	ENGINE	TRANS	TRIM	DESCRIPTION
------	-------------	-----	------	--------	------	--------	-------	------	-------------

NOTE:
Sales Codes:
EDZ=2.4L 4CYL. DOHC 16V
EGA=3.3L V-6 MPI
EGH=3.8L V-6 MPI
DGL=4 Speed Automatic Transmission

-1	04883240	1				EGA			SEAL AND GASKET PACKAGE, Transmission Front Clutch OVERHAUL PACKAGE, Transaxle
-2	04883235	1				EGA			
		1				EGH	DGL		
3									CASE, Transaxle
	04798306	1				EGA			
		1				EGH	DGL		
4									PAN, Transaxle Differential Oil
	04659520	1				EGA			
		1				EGH	DGL		
5									BOLT, Hex Head, M8x1.25x16
	06501474	12				EGA			
		12				EGH	DGL		
6									COVER, Transaxle Rear
	04659636	1				EGA			
		1				EGH	DGL		
7									BOLT, Hex Head, M8x1.25x16
	06501474	10				EGA			
		10				EGH	DGL		
8									O RING, Trans Speed Sensor
	06501701	1				EGA			
		1				EGH	DGL		
9									SENSOR, Transmission Output Speed
	04412879	1				EGA			
		1				EGH	DGL		
10									CONNECTOR, Oil Cooler Hose
	04531202	2				EGA			
		2				EGH	DGL		
11									SENSOR, Transmission Input Speed
	04412878	1				EGA			
		1				EGH	DGL		
12									O RING, Trans Speed Sensor
	06501700	1				EGA			
		1				EGH	DGL		
13									PLUG, Pressure Check

AR = use ase required - = Non illustrated part

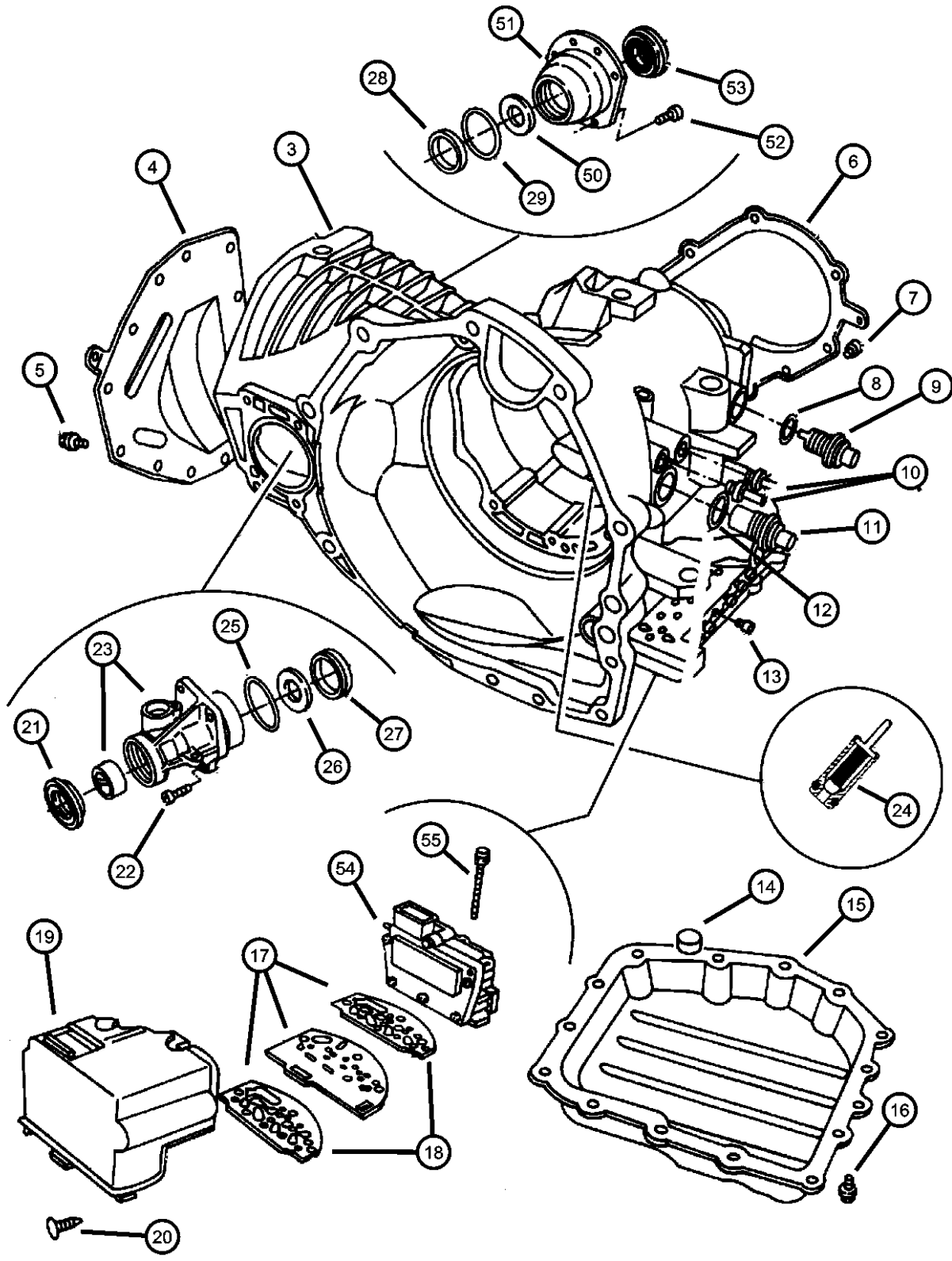
Case, Extension and Solenoid
Figure 41TE-AE-240



ITEM	PART NUMBER	QTY	LINE	SERIES	BODY	ENGINE	TRANS	TRIM	DESCRIPTION
	06030035	1				EGA			
		1				EGH	DGL		
14	04446728	1				EGA			MAGNET, Transmission
		1				EGH	DGL		
15	04431997	1				EGA			PAN, Transmission Oil
		1				EGH	DGL		
16	06501474	14				EGA			BOLT, Hex Head, M8x1.25x16
		14				EGH	DGL		
17	04761338	1				EGA			GASKET PACKAGE, Transmission Solenoid
		1				EGH	DGL		
18	04431798	2				EGA			GASKET, Transmission Solenoid
		2				EGH	DGL		
19	04659041	1					DGL		SHIELD, Transmission Solenoid
20	06033840	2					DGL		PIN, Push, .30x1.16
21									SEAL, Extension
	04412522	1				EGA			
		1				EGH	DGL		
22	06500511	4				EGA			SCREW, Flange Head, M8x1.25x33
		4				EGH	DGL		
23	04567413	1				EGA			CASE, Transaxle Rear
		1				EDZ	DGL		
24	04659946	1				EGA			VALVE, Cooler Bypass
		1				EGH	DGL		
25	06500111	1				EGH	DGL		O RING, Transmission Case
26	04567494	1				EGA			RETAINER, Transmission Extension Oil
27									BEARING CUP, Differential
	04446689	1				EGA			
		1				EGH	DGL		
28	04659237	1				EGA			CUP, Differential Side
		1				EGH	DGL		

AR = use ase required - = Non illustrated part

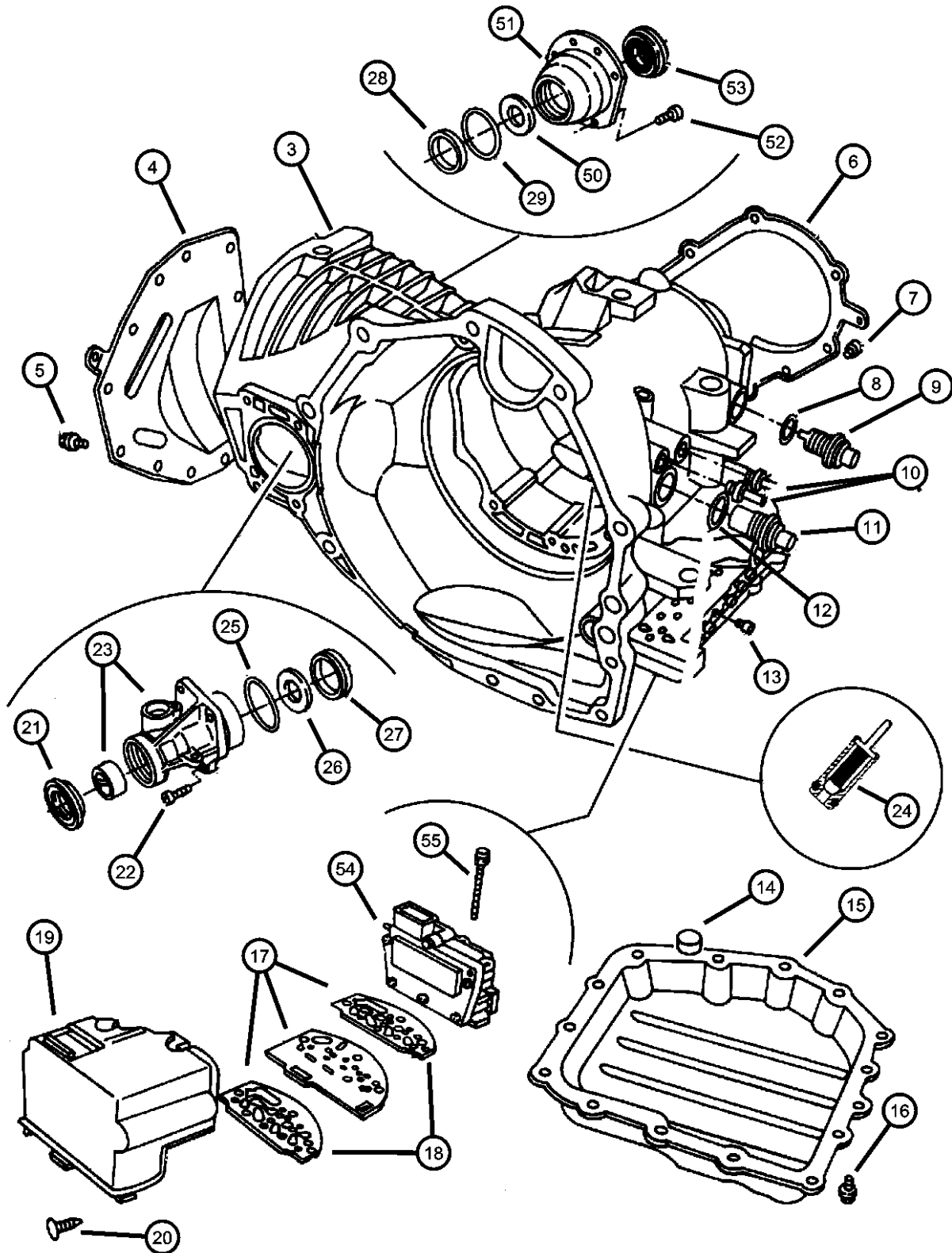
Case, Extension and Solenoid
Figure 41TE-AE-240



ITEM	PART NUMBER	QTY	LINE	SERIES	BODY	ENGINE	TRANS	TRIM	DESCRIPTION
29	04659257	AR				EGA			SPACER, Final Drive, 0.98mm
		AR				EGH	DGL		
-30	04659258	AR				EGA			SPACER, Final Drive, 1.02mm
		AR				EGH	DGL		
-31	04659259	AR				EGA			SPACER, Final Drive, 1.06mm
		AR				EGH	DGL		
-32	04659260	AR				EGA			SPACER, Final Drive, 1.10mm
		AR				EGH	DGL		
-33	04659261	AR				EGA			SPACER, Final Drive, 1.14mm
		AR				EGH	DGL		
-34	04659262	AR				EGA			SPACER, Final Drive, 1.18mm
		AR				EGH	DGL		
-35	04659263	AR				EGA			SPACER, Final Drive, 1.22mm
		AR				EGH	DGL		
-36	04659264	AR				EGA			SPACER, Final Drive, 1.26mm
		AR				EGH	DGL		
-37	04659265	AR				EGA			SPACER, Final Drive, 1.30mm
		AR				EGH	DGL		
-38	04659266	AR				EGA			SPACER, Final Drive, 1.34mm
		AR				EGH	DGL		
-39	04659267	AR				EGA			SPACER, Final Drive, 1.38mm
		AR				EGH	DGL		
-40	04659268	AR				EGA			SPACER, Final Drive, 1.42mm
		AR				EGH	DGL		
-41	04659269	AR				EGA			SPACER, Final Drive, 1.46mm
		AR				EGH	DGL		
-42									SPACER, Final Drive, 1.50mm

AR = use ase required - = Non illustrated part

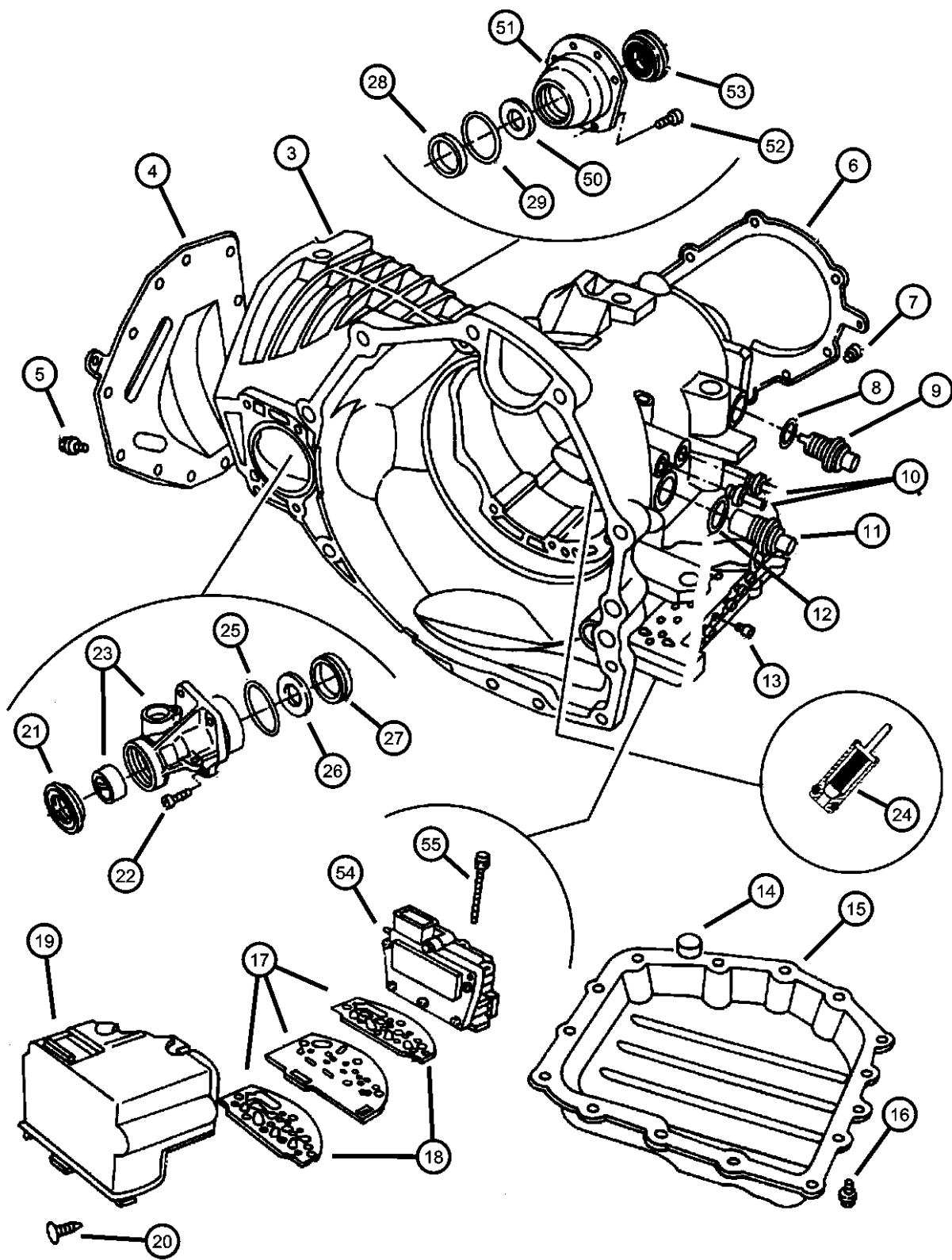
Case, Extension and Solenoid
Figure 41TE-AE-240



ITEM	PART NUMBER	QTY	LINE	SERIES	BODY	ENGINE	TRANS	TRIM	DESCRIPTION
	04659270	AR				EGA			
		AR				EGH	DGL		
-43									SPACER, Final Drive, 1.54mm
	04659271	AR				EGA			
		AR				EGH	DGL		
-44									SPACER, Final Drive, 1.58mm
	04659272	AR				EGA			
		AR				EGH	DGL		
-45									SPACER, Final Drive, 1.62mm
	04659273	AR				EGA			
		AR				EGH	DGL		
-46									SPACER, Final Drive, 1.66mm
	04659274	AR				EGA			
		AR				EGH	DGL		
-47									SPACER, Final Drive, 1.70mm
	04659275	AR				EGA			
		AR				EGH	DGL		
-48									SPACER, Final Drive, 2.02mm
	04659283	AR				EGA			
		AR				EGH	DGL		
-49									SPACER, Final Drive, 2.06mm
	04659284	AR				EGA			
		AR				EGH	DGL		
50									DAM, Differential Extension Oil Left Hand Side
	04659290	1				EGA			
		1				EGH	DGL		
51									RETAINER, Differential Bearing
	04659736	1				EGA			
		1				EGH	DGL		
52									SCREW AND WASHER, Hex Flange Head Lock, M8x1.25x25.00
	06504225	6				EGA			
		6				EGH	DGL		
53									SEAL, Extension
	04412522	1				EGA			Differential Bearing Retainer
		1				EGH	DGL		
54									SOLENOID PACKAGE, Valve Body
	04504570	1				EGA			
		1				EGH	DGL		
55									SCREW AND WASHER, Hex Head, M6x1x93.5

AR = use ase required - = Non illustrated part

Case, Extension and Solenoid
Figure 41TE-AE-240

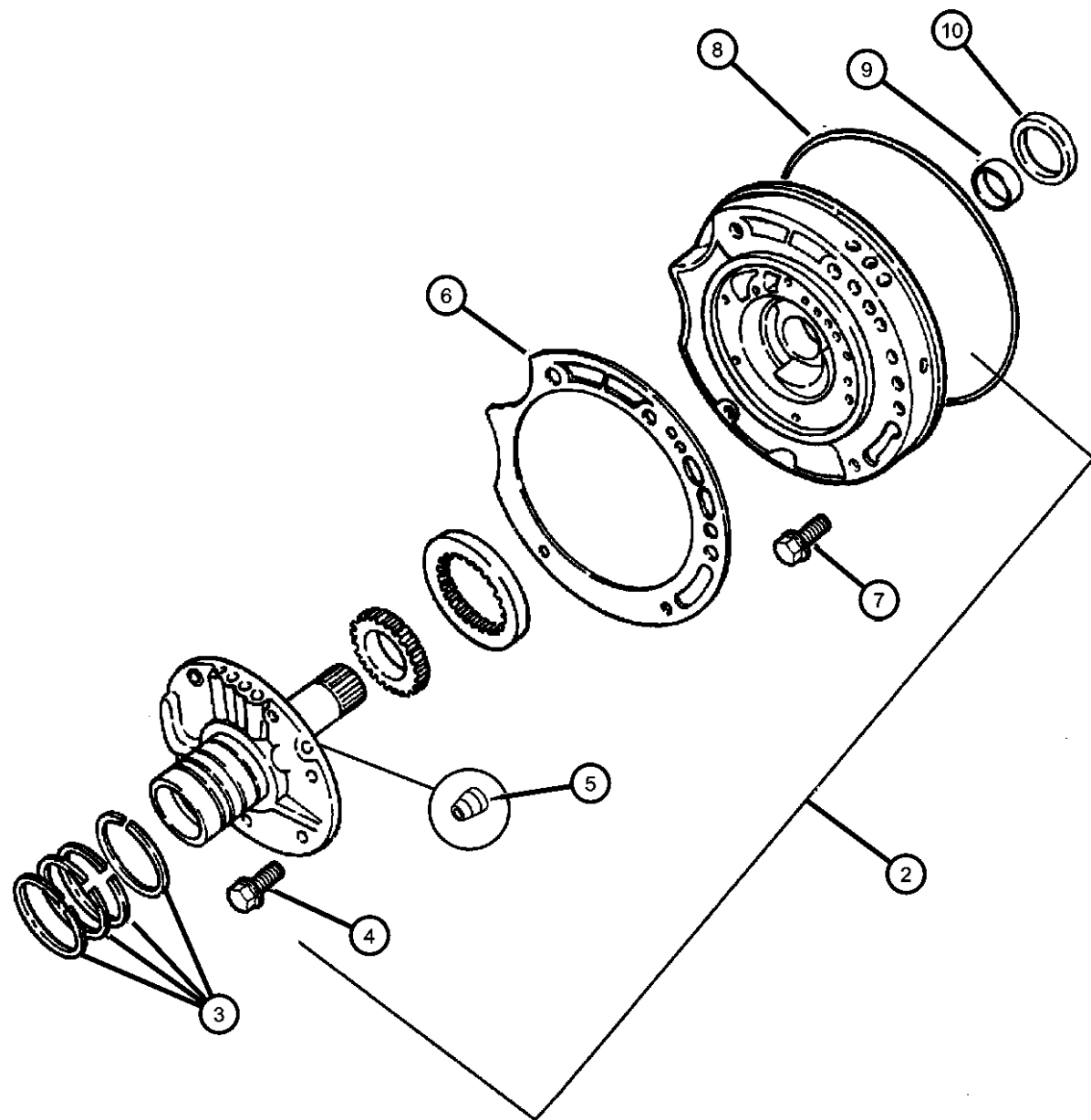


ITEM	PART NUMBER	QTY	LINE	SERIES	BODY	ENGINE	TRANS	TRIM	DESCRIPTION
------	-------------	-----	------	--------	------	--------	-------	------	-------------

	06503546	3				EGA			
		3				EGH	DGL		

AR = use ase required - = Non illustrated part

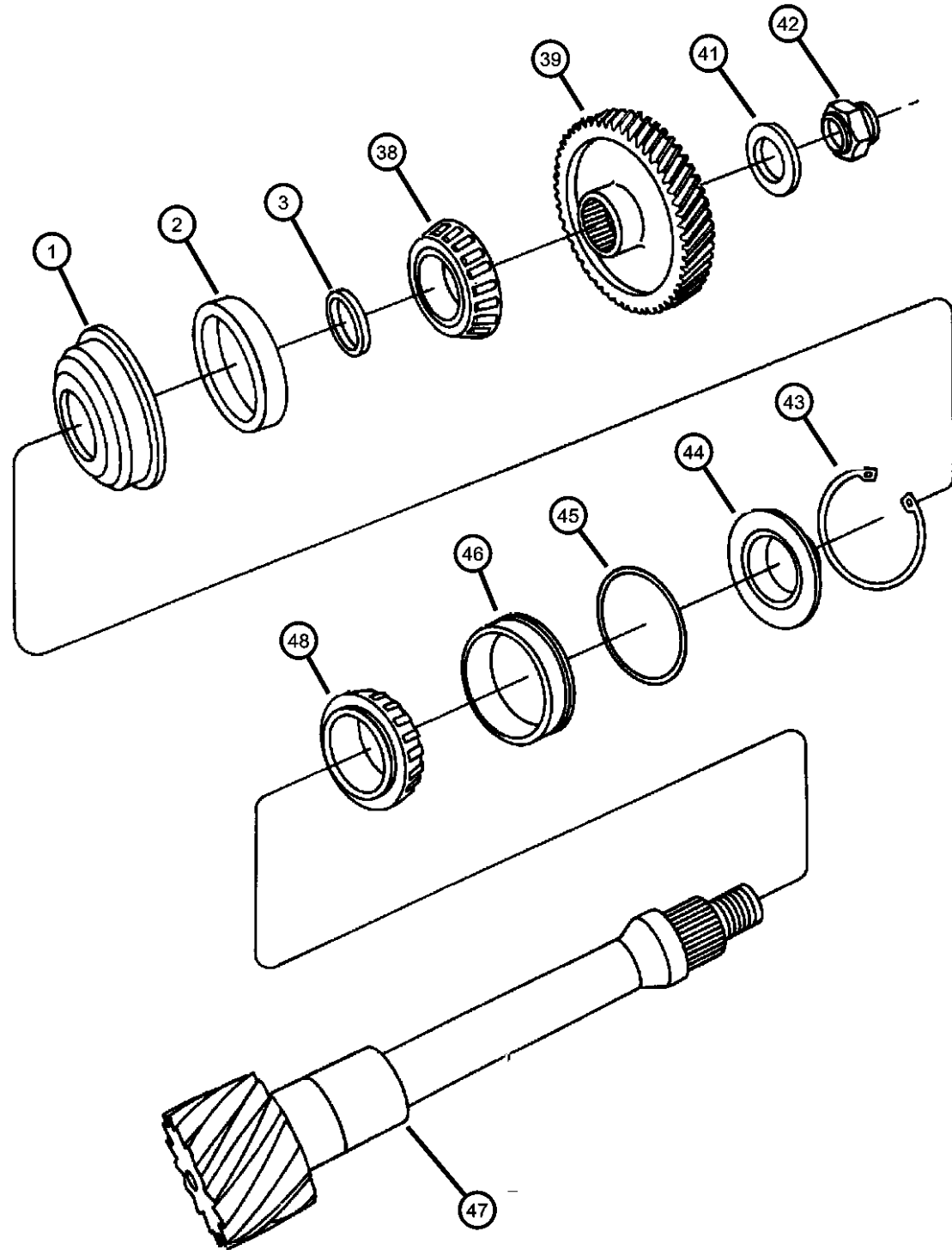
Pump, Oil With Reaction Shaft
Figure 41TE-AE-320



ITEM	PART NUMBER	QTY	LINE	SERIES	BODY	ENGINE	TRANS	TRIM	DESCRIPTION
NOTE: Sales Codes: EDZ=2.4L 4CYL. DOHC 16V EGA=3.3L V-6 MPI EGH=3.8L V-6 MPI DGL=4 Speed Automatic Transmission									
-1									SEAL AND GASKET PACKAGE, Transmission Oil Pump
	04883260	1				EGA			
		1				EGH	DGL		
2	04567869	1				EGA			PUMP, Transmission Oil
	R4567869								Mopar Remanufactured Part
	R4567869AB								Mopar Remanufactured Part
		1				EGH	DGL		
	R4567869								Mopar Remanufactured Part
	R4567869AB								Mopar Remanufactured Part
3									SEAL, Ring Reaction Support, 2 1/16 O.D.
	04471874	4				EGA			
		4				EGH	DGL		
4									BOLT, Hex Head, M8x1.25x19
	06500211	6				EGA			
		6				EGH	DGL		
5									BALL, Check
	04446616	2				EGA			
		2				EGH	DGL		
6									GASKET, Transmission Oil Pump
	04412844	1				EGA			
		1				EGH	DGL		
7									SCREW AND WASHER, Hex Flange Head, M8x1.25x25
	06501106	5				EGA			
		5				EGH	DGL		
8									SEAL, Oil Pump
	04659945	1				EGA			
		1				EGH	DGL		
9									BUSHING, Front Pump
	02466796	1				EGA			
		1				EGH	DGL		
10									SEAL, Impeller Hub, 57.25mm OD
	04412475	1				EGA			
		1				EGH	DGL		

AR = use ase required - = Non illustrated part

**Shaft, Transfer
Figure 41TE-AE-415**



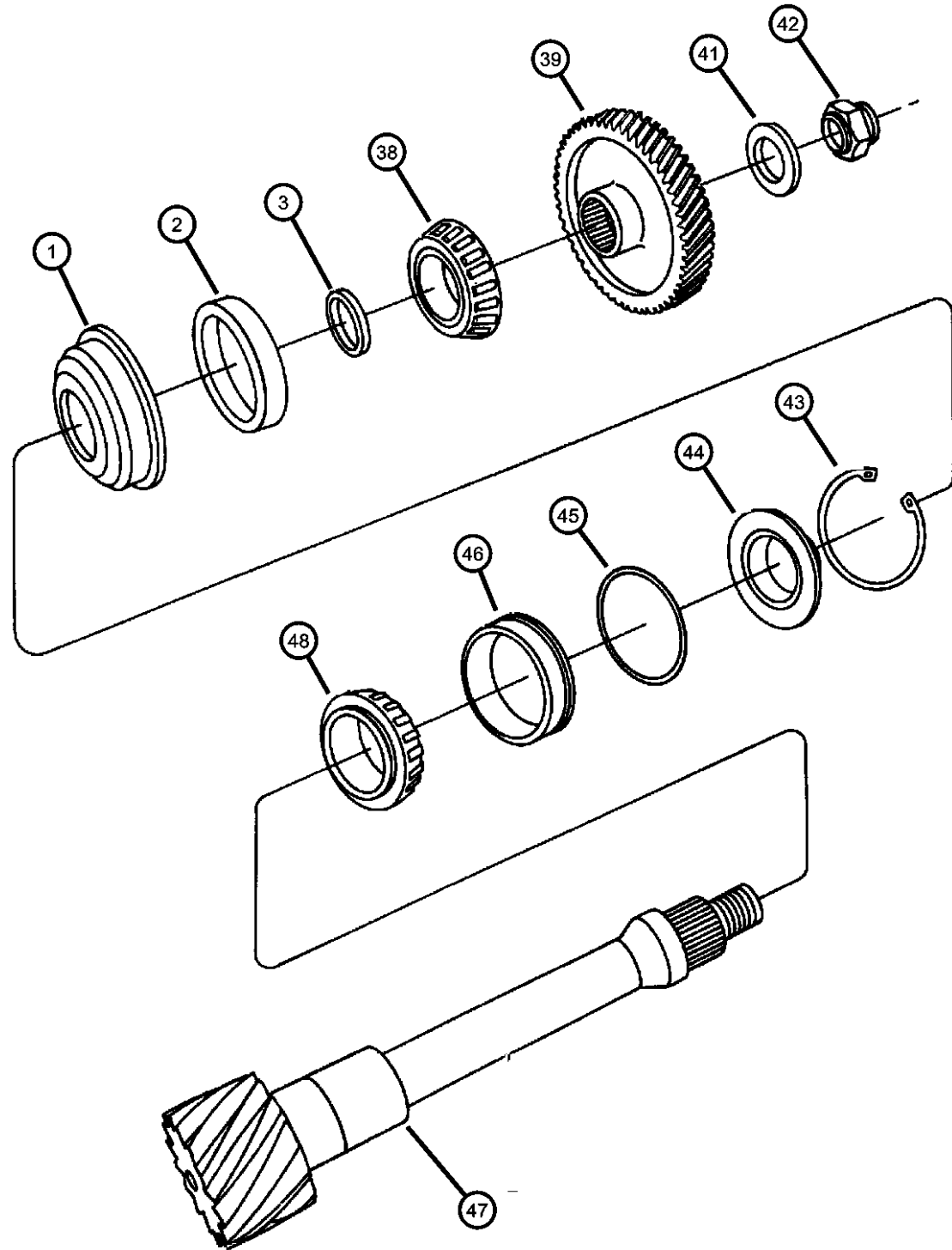
ITEM	PART NUMBER	QTY	LINE	SERIES	BODY	ENGINE	TRANS	TRIM	DESCRIPTION
------	-------------	-----	------	--------	------	--------	-------	------	-------------

NOTE:
Sales Codes:
EGA=3.3L V-6 MPI
EGH=3.8L V-6 MPI
DGL=4 Speed Automatic Transmission

1									RETAINER, Transfer Gear Bearing
	04412273	1				EGA			
		1				EGH	DGL		
2									BEARING CUP, Transfer Shaft
	04504041	1				EGA			
		1				EGH	DGL		
3									SPACER, Transfer Shaft, 3.22mm
	04505570	1				EGA			
		1				EGH	DGL		
-4									SPACER, Transfer Shaft, 3.26mm
	04412801	1				EGA			
		1				EGH	DGL		
-5									SPACER, Transfer Shaft, 3.30mm
	04412802	1				EGA			
		1				EGH	DGL		
-6									SPACER, Transfer Shaft, 3.34mm
	04412803	1				EGA			
		1				EGH	DGL		
-7									SPACER, Transfer Shaft, 3.38mm
	04412804	1				EGA			
		1				EGH	DGL		
-8									SPACER, Output Shaft, 3.46mm
	04412806	1				EGA			
		1				EGH	DGL		
-9									SPACER, Output Shaft, 3.50mm
	04412807	1				EGA			
		1				EGH	DGL		
-10									SPACER, Output Shaft, 3.54mm
	04412808	1				EGA			
		1				EGH	DGL		
-11									SPACER, Output Shaft, 3.58mm
	04412809	1				EGA			
		1				EGH	DGL		
-12									SPACER, Output Shaft, 3.62mm
	04412810	1				EGA			
		1				EGH	DGL		
-13									SPACER, Output Shaft, 3.66mm

AR = use ase required - = Non illustrated part

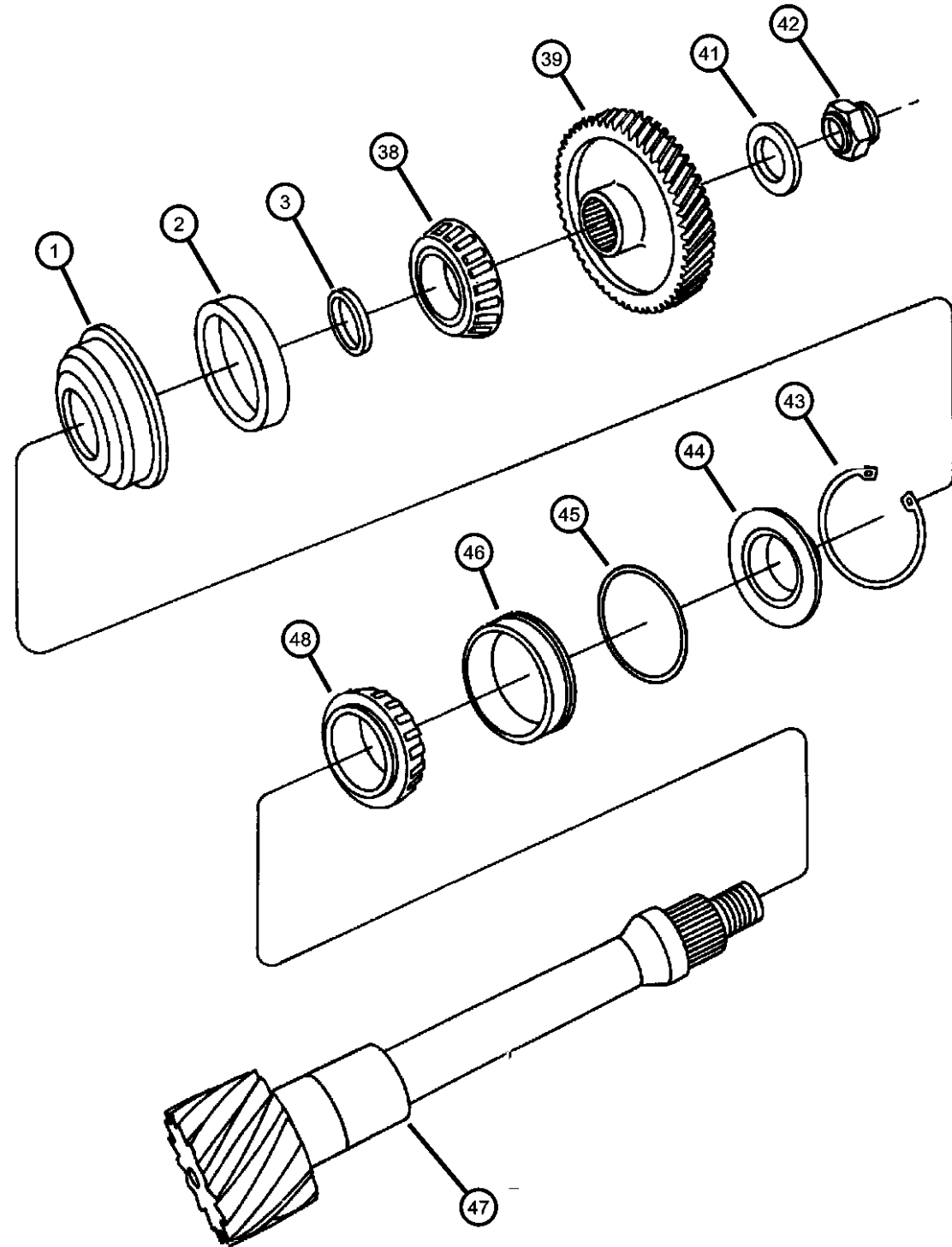
Shaft, Transfer
Figure 41TE-AE-415



ITEM	PART NUMBER	QTY	LINE	SERIES	BODY	ENGINE	TRANS	TRIM	DESCRIPTION
	04412811	1				EGA			
-14		1				EGH	DGL		SPACER, Output Shaft, 3.70mm
	04412812	1				EGA			
-15		1				EGH	DGL		SPACER, Output Shaft, 3.74mm
	04412813	1				EGA			
-16		1				EGH	DGL		SPACER, Output Shaft, 3.78mm
	04412814	1				EGA			
-17		1				EGH	DGL		SPACER, Output Shaft, 3.82mm
	04412815	1				EGA			
-18		1				EGH	DGL		SPACER, Output Shaft, 3.86mm
	04412816	1				EGA			
-19		1				EGH	DGL		SPACER, Output Shaft, 3.90mm
	04412817	1				EGA			
-20		1				EGH	DGL		SPACER, Output Shaft, 3.94mm
	04412818	1				EGA			
-21		1				EGH	DGL		SPACER, Output Shaft, 3.98mm
	04412819	1				EGA			
-22		1				EGH	DGL		SPACER, Output Shaft, 4.02mm
	04412820	1				EGA			
-23		1				EGH	DGL		SPACER, Output Shaft, 4.06mm
	04412821	1				EGA			
-24		1				EGH	DGL		SPACER, Output Shaft, 4.10mm
	04412822	1				EGA			
-25		1				EGH	DGL		SPACER, Output Shaft, 4.14mm
	04412823	1				EGA			
-26		1				EGH	DGL		SPACER, Output Shaft, 4.18mm
	04412824	1				EGA			

AR = use ase required - = Non illustrated part

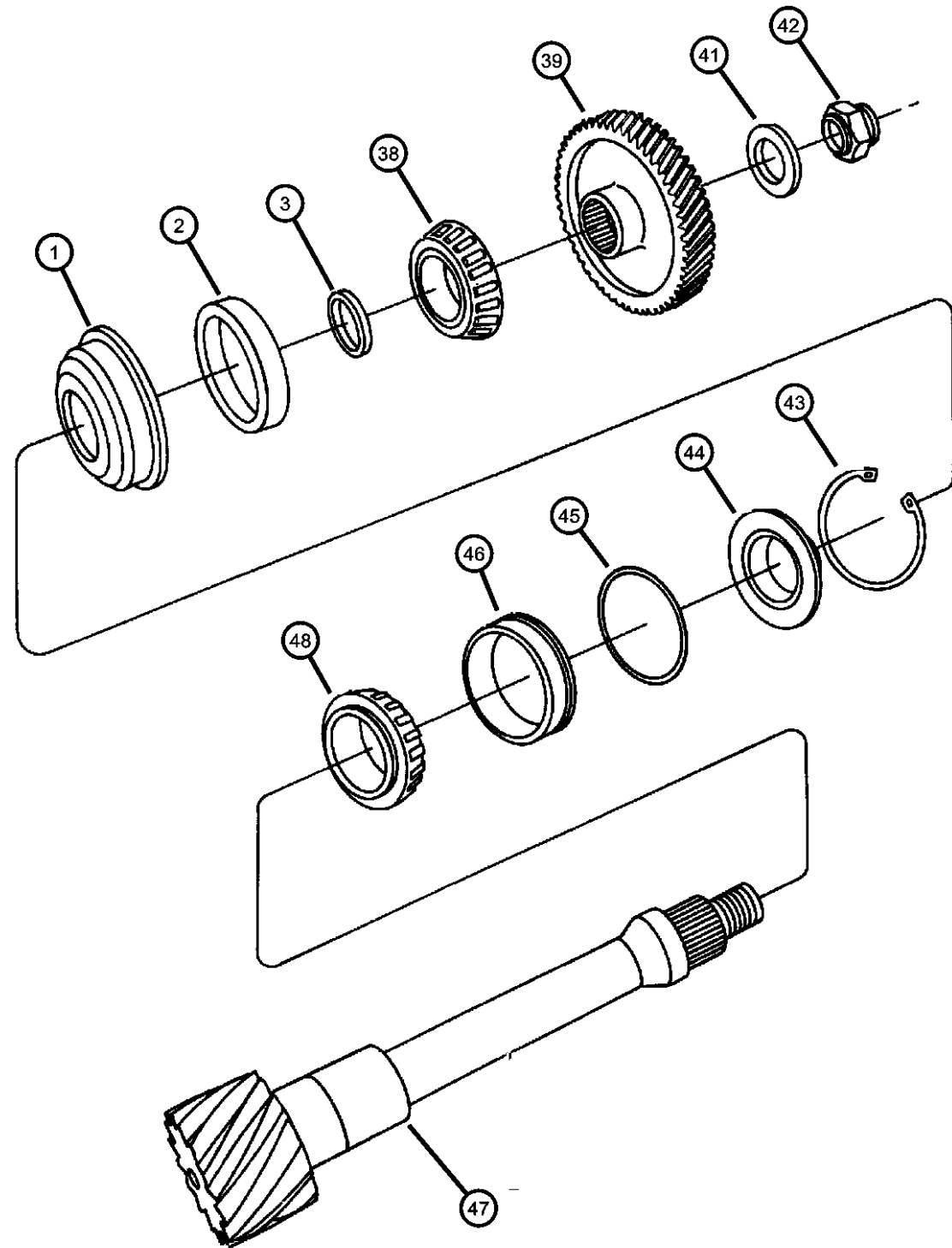
Shaft, Transfer
Figure 41TE-AE-415



ITEM	PART NUMBER	QTY	LINE	SERIES	BODY	ENGINE	TRANS	TRIM	DESCRIPTION
-27		1				EGH	DGL		SPACER, Output Shaft, 4.22mm
	04412825	1				EGA			
		1				EGH	DGL		
-28		1				EGA			SPACER, Output Shaft, 4.26mm
	04412826	1				EGH	DGL		
		1				EGA			SPACER, Output Shaft, 4.30mm
-29		1				EGH	DGL		
	04412827	1				EGA			SPACER, Output Shaft, 4.34mm
		1				EGH	DGL		
-30		1				EGA			SPACER, Output Shaft, 4.38mm
	04412828	1				EGH	DGL		
		1				EGA			SPACER, Output Shaft, 4.42mm
-31		1				EGH	DGL		
	04412829	1				EGA			SPACER, Output Shaft, 4.46mm
		1				EGH	DGL		
-32		1				EGA			SPACER, Output Shaft, 4.50mm
	04412830	1				EGH	DGL		
		1				EGA			SPACER, Transfer Shaft, 4.54mm
-33		1				EGH	DGL		
	04412831	1				EGA			SPACER, Transfer Shaft, 4.58mm
		1				EGH	DGL		
-34		1				EGA			SPACER, Transfer Shaft, 4.62mm
	04412832	1				EGH	DGL		
		1				EGA			SPACER, Transfer Shaft, 4.66mm
-35		1				EGH	DGL		
	04412833	1				EGA			SPACER, Transfer Shaft, 4.70mm
		1				EGH	DGL		
-36		1				EGA			SPACER, Transfer Shaft, 4.74mm
	04412835	1				EGH	DGL		
		1				EGA			SPACER, Transfer Shaft, 4.78mm
-37		1				EGH	DGL		
	04505588	1				EGA			SPACER, Transfer Shaft, 4.82mm
		1				EGH	DGL		
38		1				EGA			BEARING CONE, Transfer Shaft
	04504042	1				EGH	DGL		
39	04713444	1				EGA			GEAR PACKAGE, Output And Transfer Shaft
-40	04713443	1				EGH	DGL		GEAR PACKAGE, Output And Transfer Shaft

AR = use ase required - = Non illustrated part

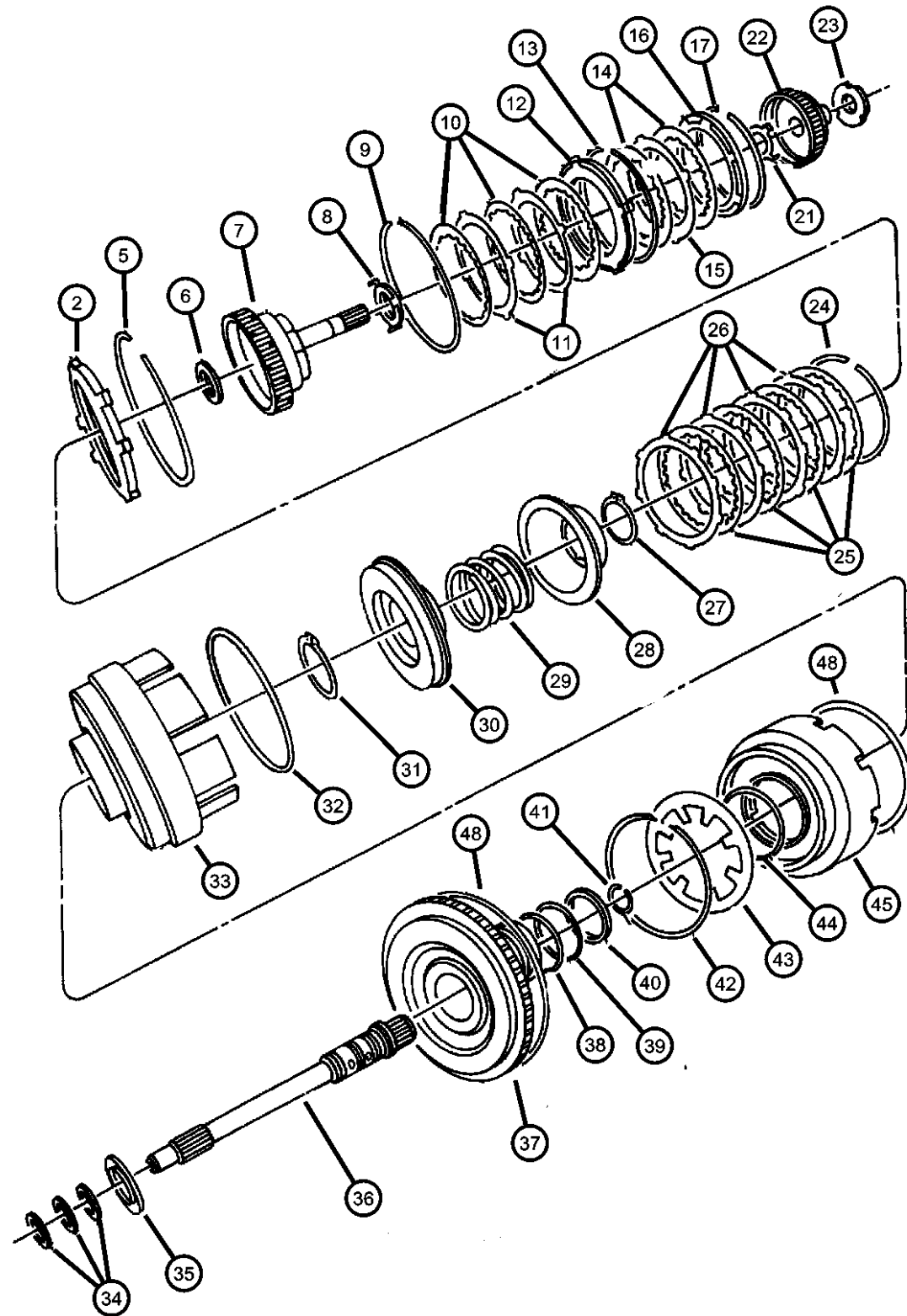
Shaft, Transfer
Figure 41TE-AE-415



ITEM	PART NUMBER	QTY	LINE	SERIES	BODY	ENGINE	TRANS	TRIM	DESCRIPTION
41	06501833	1				EGA			WASHER, Coned, M22.6x45x3.42
		1				EGH	DGL		
42	06502611	1				EGA			LOCK NUT, M22x1.50
		1				EGH	DGL		
43	06501936	1				EGA			SNAP RING
		1				EGH	DGL		
44	04471869	1				EGA			BAFFLE, Transfer Shaft
		1				EGH	DGL		
45	06501768	1				EGA			O RING, Transfer Shaft Bearing Retainer, ATX
		1				EGH	DGL		
46	04856911	1				EGA			BEARING CUP, Transfer Shaft Package
		1				EGH	DGL		Package
47	04531976	1				EGH	DGL		SHAFT, Transfer Gear 16 Teeth
	04531978	1				EGA			17 Teeth
48	04504042	1				EGA			BEARING PACKAGE, Transfer Shaft
		1				EGH	DGL		

AR = use ase required - = Non illustrated part

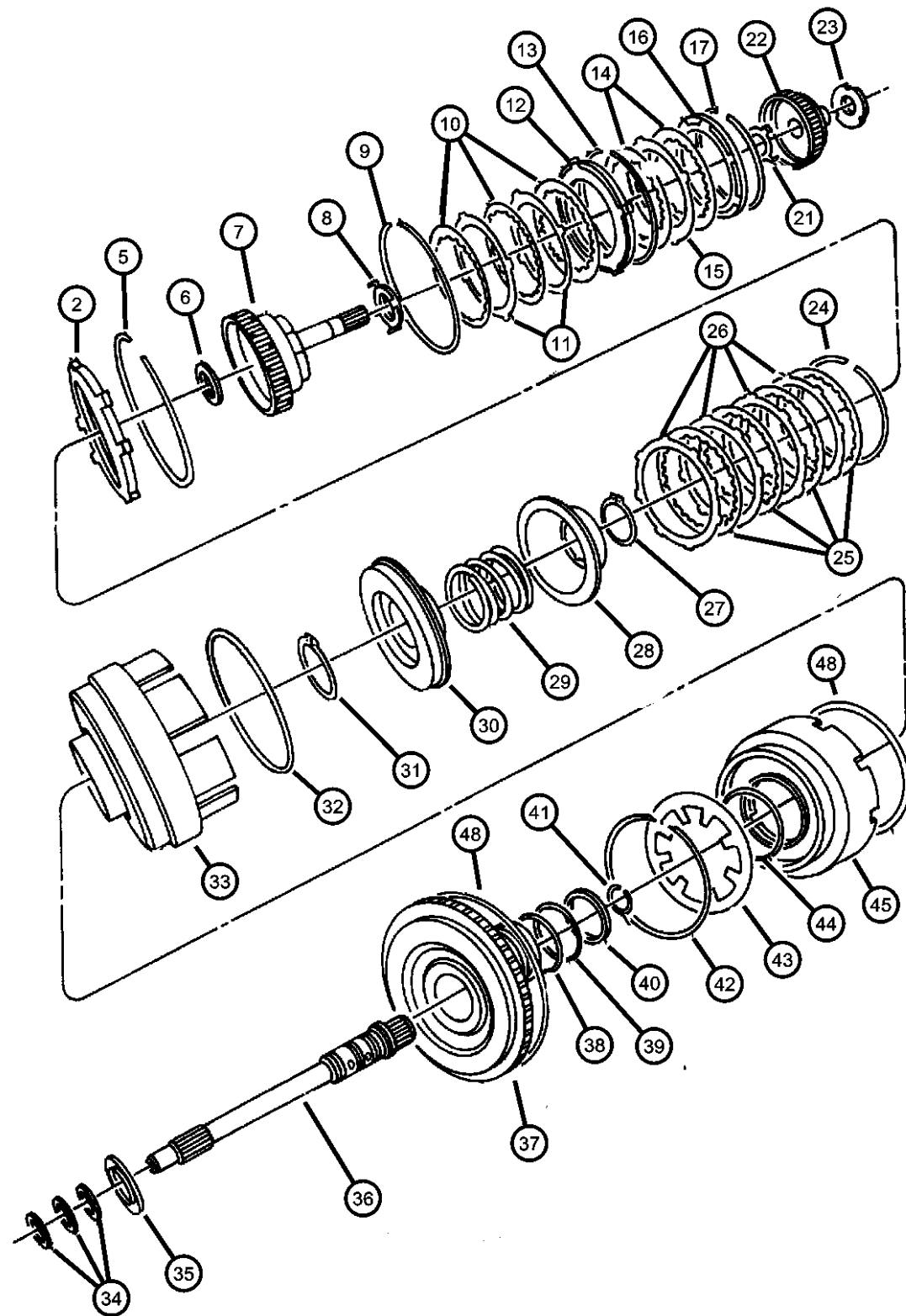
Clutch, Input Shaft
Figure 41TE-AE-425



ITEM	PART NUMBER	QTY	LINE	SERIES	BODY	ENGINE	TRANS	TRIM	DESCRIPTION
	NOTE: Sales Codes: EGH=3.8L V-6 MPI DGL=4 Speed Automatic Transmission								
-1									SEAL AND GASKET PACKAGE, Transmission Front Clutch
	04883240	1				EGA			
		1				EGH	DGL		
2									PLATE PACKAGE, Low/Reverse Clutch, 6.013/6.272
	04883013	1				EGA			
		1				EGH	DGL		
-3									PLATE PACKAGE, Underdrive Reaction, 6.21/6.31
	04883014	1				EGA			
		1				EGH	DGL		
-4									PLATE PACKAGE, Underdrive Reaction, 6.70/6.80
	04883015	1				EGA			
		1				EGH	DGL		
5									SNAP RING, Underdrive Clutch, Tapered
	04659934	1				EGA			
		1				EGH	DGL		
6									THRUST BEARING
	04567262	1				EGA			
		1				EGH	DGL		
7									HUB AND SHAFT PACKAGE, Underdrive Clutch
	04864936	1				EGH	DGL		
		1				EGA			
8									THRUST WASHER, U/Drive Clutch
	04659883	1				EGA			
		1				EGH	DGL		
9									SNAP RING Reverse and Overdrive Clutch Pressure Plate, Wave
	04505621	1				EGA			
		1				EGH	DGL		
10									DISC, Clutch Overdrive Clutch
	04531678	4				EGA			
		4				EGH	DGL		
11									PLATE, Transmission O/Drive Clutch
	04659053	3				EGA			
		1				EGH	DGL		
12									PLATE, Transmission O/Drive Clutch

AR = use ase required - = Non illustrated part

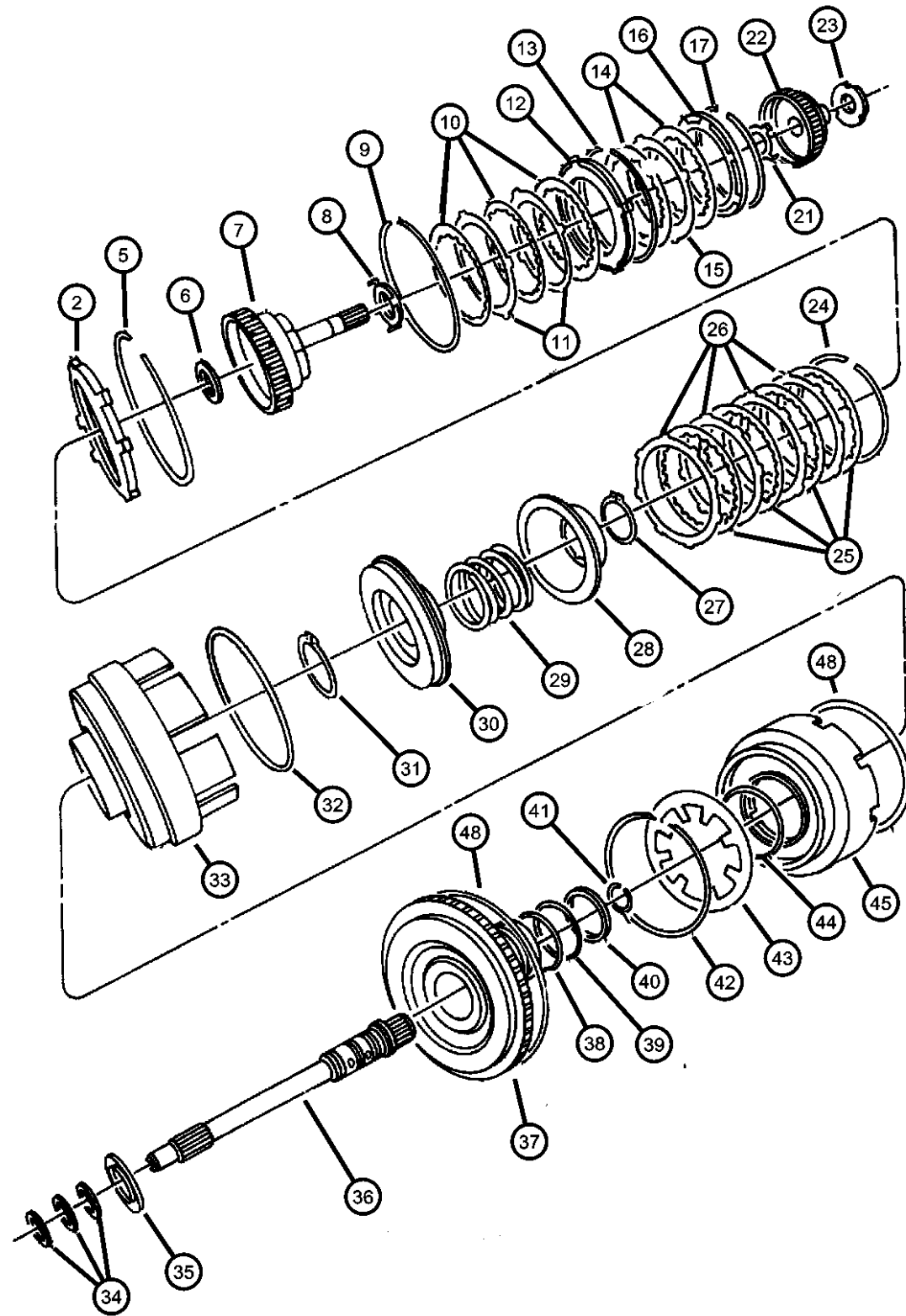
Clutch, Input Shaft
Figure 41TE-AE-425



ITEM	PART NUMBER	QTY	LINE	SERIES	BODY	ENGINE	TRANS	TRIM	DESCRIPTION
	04531556	1				EGA			Reverse and Overdrive Clutch Pressure, 4 Lug
	03836238	1				EGH	DGL		Reverse and Overdrive Clutch
		1				EGA			1.92 - 1.99mm Thick
13		1				EGH	DGL		SNAP RING
	04505622	1				EGA			
		1				EGH	DGL		
14									DISC, Clutch
	04531678	4				EGA			
		2				EGH	DGL		Reverse Clutch
		4				EGH	DGL		
		2				EGA			Reverse Clutch
15									PLATE, Transmission O/Drive Clutch
	04659053	1				EGA			Reverse Clutch
		1				EGH	DGL		Reverse Clutch
16									PLATE, Transmission Clutch Reaction
	04531925	1				EGA			Reverse Clutch Reaction
		1				EGH	DGL		Reverse Clutch Reaction
17									SNAP RING
	04377195	1				EGA			1.53 - 1.58mm Thick
		1				EGH	DGL		1.53 - 1.58mm Thick
-18									SNAP RING, Reverse Clutch, 1.77-1.83mm
	04412871	1				EGA			1.77 - 1.83mm Thick
		1				EGH	DGL		1.77 - 1.83mm Thick
-19									SNAP RING, Reverse Clutch, 2.02-2.07mm
	04412872	1				EGA			2.02 - 2.07mm Thick
		1				EGH	DGL		2.02 - 2.07mm Thick
-20									SNAP RING, Reverse Clutch, 2.27-2.32mm
	04412873	1				EGA			2.27 - 2.32mm Thick
		1				EGH	DGL		2.27 - 2.32mm Thick
21									PLATE, Transmission O/Drive Clutch
	04431973	1				EGA			With 3 Tabs
		1				EGH	DGL		With 3 Tabs
22									HUB, Overdrive Clutch
	04659615	1				EGH	DGL		
		1				EDZ	DGL		
23									PLATE, Transmission O/Drive Clutch

AR = use ase required - = Non illustrated part

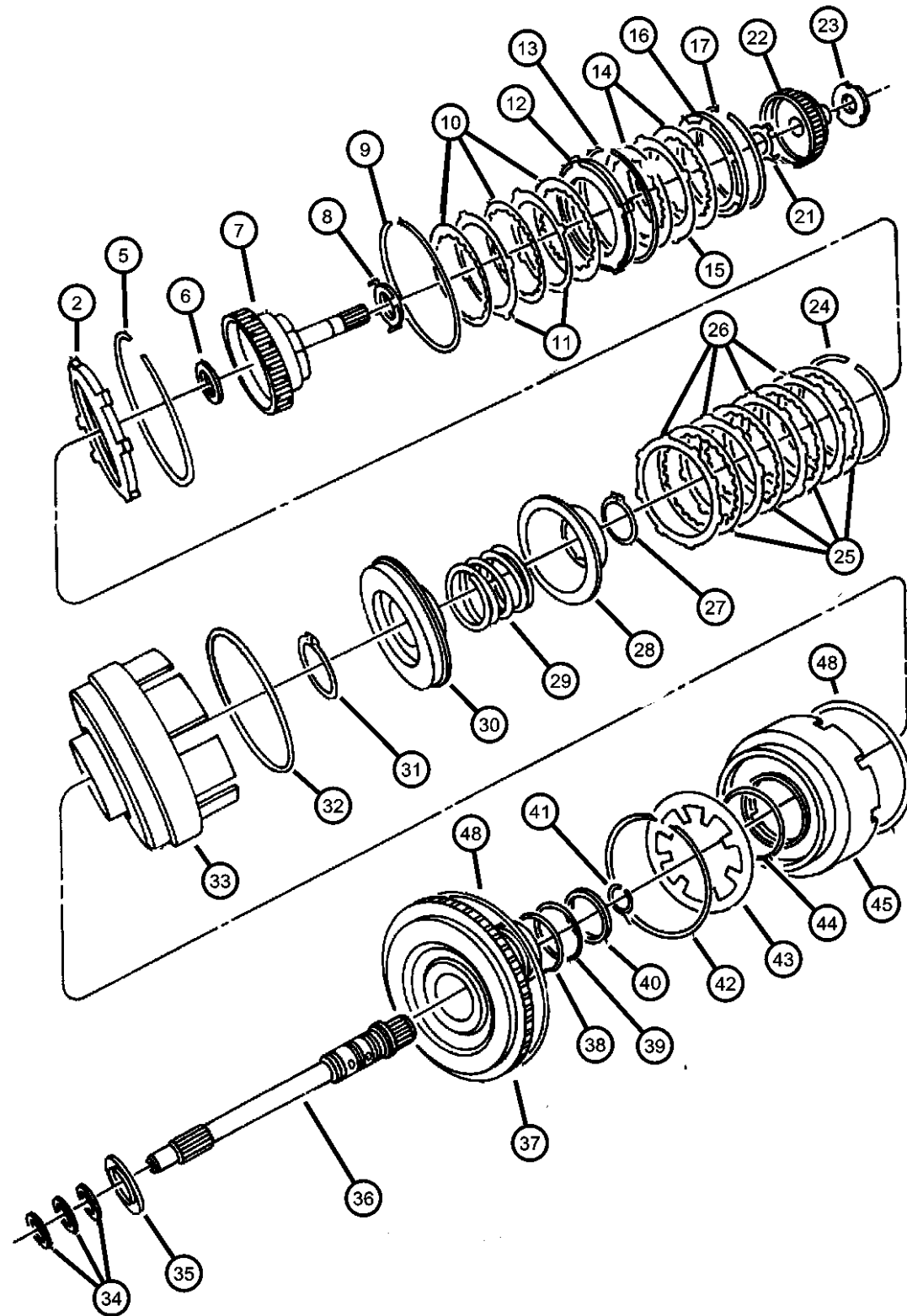
Clutch, Input Shaft
Figure 41TE-AE-425



ITEM	PART NUMBER	QTY	LINE	SERIES	BODY	ENGINE	TRANS	TRIM	DESCRIPTION
	03836238	1				EGH	DGL		1.92 - 1.99mm Thick
	03836237	1				EGA			1.70 - 1.77mm Thick
		1				EGH	DGL		1.70 - 1.77mm Thick
		1				EGA			1.92 - 1.99mm Thick
	03836241	1				EGA			2.58 - 2.65mm Thick
	03836239	1				EGA			2.14 - 2.21mm Thick
		1				EGH	DGL		2.14 - 2.21mm Thick
	03836240	1				EGA			2.36 - 2.43mm Thick
		1				EGH	DGL		2.36 - 2.43mm Thick
		1				EGH	DGL		2.58 - 2.65mm Thick
	04431662	1				EGA			0.81 - 1.03mm Thick
		1				EGH	DGL		0.81 - 1.03mm Thick
	04431663	1				EGA			1.03 - 1.25mm Thick
		1				EGH	DGL		1.03 - 1.25mm Thick
	04431666	1				EGA			1.69 - 1.91mm Thick
		1				EGH	DGL		1.69 - 1.91mm Thick
	04431664	1				EGA			1.25 - 1.47mm Thick
		1				EGH	DGL		1.25 - 1.47mm Thick
	04431665	1				EGA			1.47 - 1.69mm Thick
		1				EGH	DGL		1.47 - 1.69mm Thick
	04431667	1				EGA			1.91 - 2.13mm Thick
		1				EGH	DGL		1.91 - 2.13mm Thick
	04431668	1				EGA			2.13 - 2.35mm Thick
		1				EGH	DGL		2.13 - 2.35mm Thick
	04446670	1				EGA			2.57 - 2.79mm Thick
		1				EGH	DGL		2.57 - 2.79mm Thick
	04431669	1				EGA			2.35 - 2.57mm Thick
		1				EGH	DGL		2.35 - 2.57mm Thick
	04446601	1				EGA			3.23 - 3.45mm Thick
		1				EGH	DGL		3.23 - 3.45mm Thick
	04446671	1				EGA			2.79 - 3.01mm Thick
		1				EGH	DGL		2.79 - 3.01mm Thick
	04446672	1				EGA			3.01 - 3.23mm Thick
		1				EGH	DGL		3.01 - 3.23mm Thick
24									SNAP RING, Underdrive Clutch, Flat
	04659980	1				EGA			1.53 - 1.58mm Thick
		1				EGH	DGL		1.53 - 1.58mm Thick
25									DISC, Clutch
	04531678	4				EGA			Underdrive
		4				EGH	DGL		Underdrive

AR = use ase required - = Non illustrated part

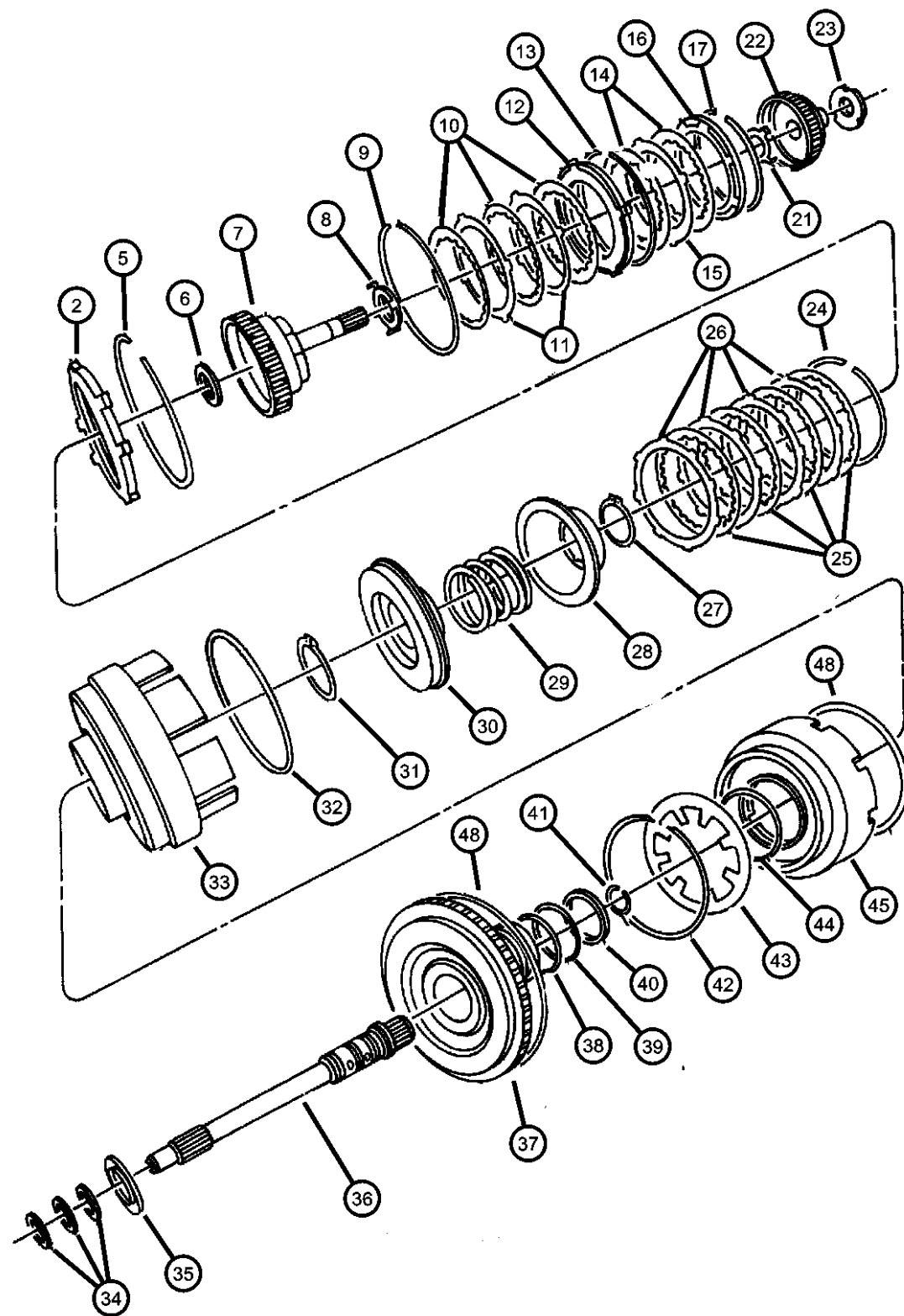
Clutch, Input Shaft
Figure 41TE-AE-425



ITEM	PART NUMBER	QTY	LINE	SERIES	BODY	ENGINE	TRANS	TRIM	DESCRIPTION
26									PLATE, Transmission O/Drive Clutch
	04659053	4				EGA			Underdrive
		4				EGH	DGL		Underdrive
27									SNAP RING
	06501715	1				EGA			
		1				EGH	DGL		
28									RETAINER AND SEAL, Transmission U/Drive Spring
	04431612	1				EGH	DGL		Underdrive
		1				EGA			Underdrive
29									SPRING, Drive Lower Case
	04377177	1				EGA			Underdrive Piston Return
		1				EGH	DGL		Underdrive Piston Return
30									PISTON, Underdrive
	04431610	1				EGA			
		1				EGH	DGL		
31									SNAP RING
	06501812	1				EGA			
		1				EGH	DGL		
32									SEAL, Piston Outer, 140mm OD
	04659871	1				EGA			
		1				EGH	DGL		
33									RETAINER, Transmission Input Clutch
	04659935	1				EGA			
		1				EGH	DGL		
34									SEAL, Input Shaft
	04446543	3				EGA			
		3				EGH	DGL		
35									THRUST BEARING
	04412209	1				EGA			
		1				EGH	DGL		
36									INPUT SHAFT PACKAGE, Transaxle
	04549223	1				EGA			22 Teeth
		1				EGH	DGL		22 Teeth
37									HUB PACKAGE, Input Clutch
	05241064	1				EGA			
		1				EGH	DGL		
38									O RING, Transmission Clutch
	06502269	1				EGA			

AR = use ase required - = Non illustrated part

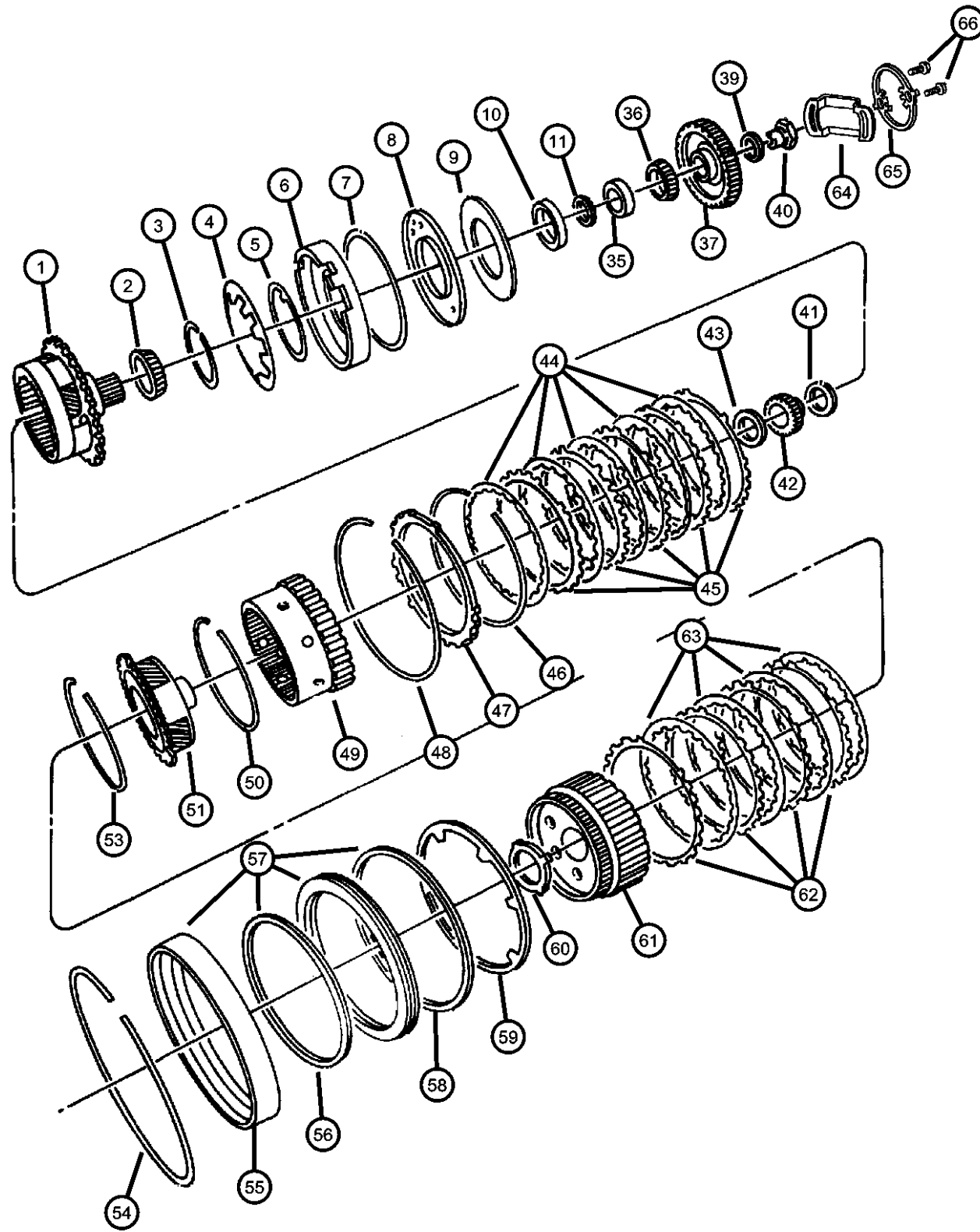
Clutch, Input Shaft
Figure 41TE-AE-425



ITEM	PART NUMBER	QTY	LINE	SERIES	BODY	ENGINE	TRANS	TRIM	DESCRIPTION
39		1				EGH	DGL		O RING, Transmission Clutch
	06502271	1				EGA			
40		1				EGH	DGL		SEAL, Under Drive
	04659391	1				EGA			
41		1				EGH	DGL		SNAP RING
	06501702	1				EGA			
42		1				EGH	DGL		SNAP RING
	04412203	1				EGA			
43		1				EGH	DGL		SPRING, Overdrive Piston
	04412202	1				EGA			
44		1				EGH	DGL		O RING, Reverse & O/Drive Clutch Piston, Transmission
	06033158	1				EGA			
45		1				EGH	DGL		PISTON, Reverse and Overdrive
	04531910	1				EGA			
-46		1	C			EGH	DGL		PISTON, Reverse and Overdrive
	04566310	1	Y			EGH	DGL		
		1	Z			EGH	DGL		
		1				EGA			
-47		1				EGH	DGL		FILTER, Reverse And O/D Clutch
	04531903	1				EGA			
48		1				EGH	DGL		SEAL, Reverse Servo Piston
	04659056	1				EGA			

AR = use ase required - = Non illustrated part

Gear Train
Figure 41TE-AE-440



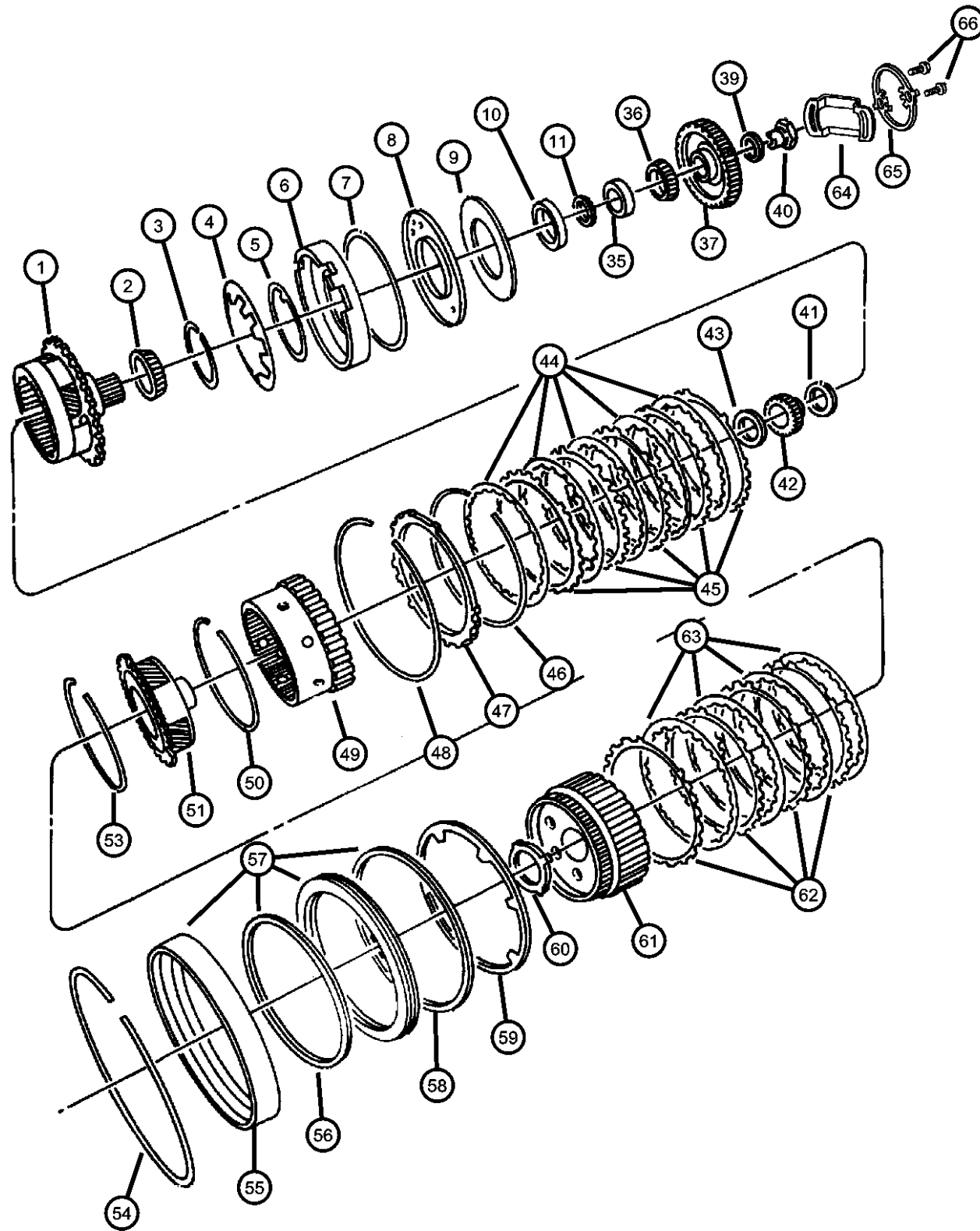
ITEM	PART NUMBER	QTY	LINE	SERIES	BODY	ENGINE	TRANS	TRIM	DESCRIPTION
------	-------------	-----	------	--------	------	--------	-------	------	-------------

NOTE:
Sales Codes:
EGH=3.8L V-6 MPI
DGL=4 Speed Automatic Transmission

1									CARRIER AND BEARING, Planet Pinion Rear
	04762704	1				EGA			Rear
		1				EGH	DGL		Rear
2									BEARING CONE, Differential Output Shaft
	04446610	1				EGA			Output Shaft
		1				EGH	DGL		Output Shaft
3									SNAP RING
	06501853	1				EGA			Low and Reverse Clutch Piston
		1				EGH	DGL		Low and Reverse Clutch Piston
4									SPRING, Low/Reverse Clutch Piston
	04412261	1				EGA			
		1				EGH	DGL		
5									SEAL PACKAGE, Transmission Clutch
	04882917	1				EGH	DGL		Low and Reverse Clutch Piston, Inner 3-3/8 Inch O/D , Outer 6 Inch O/D
		1				EGH	DGL		
6									PISTON, Low and Reverse Clutch
	04431672	1				EGA			
		1				EGH	DGL		
7									SEAL PACKAGE, Transmission Clutch
	04882917	1				EGH	DGL		Low and Reverse Clutch Piston, Outer 6 Inch O/D, Inner 3-3/8 Inch O/D
		1				EGH	DGL		
8									RETAINER, Transmission Low and Reverse Clutch Piston
	04431648	1				EGA			
		1				EGH	DGL		
9									GASKET, Clutch Retainer
	04431649	1				EGA			
		1				EGH	DGL		
10									BEARING CUP, Differential
	04446689	1				EGA			63mm O/D
		1				EGH	DGL		63mm O/D
11									SPACER, Output Shaft, 3.46mm
	04412806	1				EGA			
		1				EGH	DGL		

AR = use ase required - = Non illustrated part

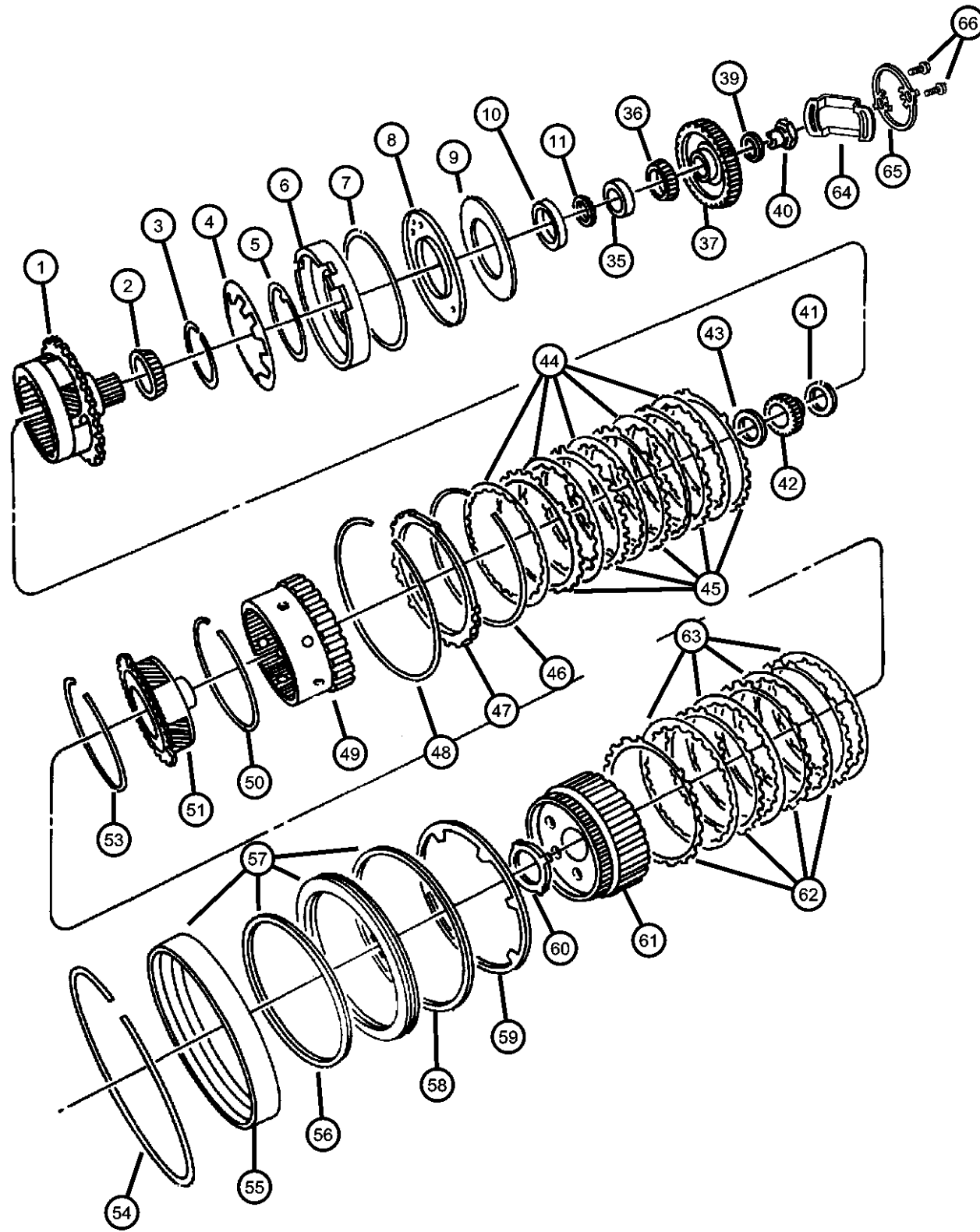
Gear Train
Figure 41TE-AE-440



ITEM	PART NUMBER	QTY	LINE	SERIES	BODY	ENGINE	TRANS	TRIM	DESCRIPTION
-12									SPACER, Output Shaft, 3.50mm
	04412807	1				EGA			
		1				EGH	DGL		
-13									SPACER, Output Shaft, 3.54mm
	04412808	1				EGA			
		1				EGH	DGL		
-14									SPACER, Output Shaft, 3.58mm
	04412809	1				EGA			
		1				EGH	DGL		
-15									SPACER, Output Shaft, 3.66mm
	04412811	1				EGA			
		1				EGH	DGL		
-16									SPACER, Output Shaft, 3.70mm
	04412812	1				EGA			
		1				EGH	DGL		
-17									SPACER, Output Shaft, 3.74mm
	04412813	1				EGA			
		1				EGH	DGL		
-18									SPACER, Output Shaft, 3.78mm
	04412814	1				EGA			
		1				EGH	DGL		
-19									SPACER, Output Shaft, 3.82mm
	04412815	1				EGA			
		1				EGH	DGL		
-20									SPACER, Output Shaft, 3.86mm
	04412816	1				EGA			
		1				EGH	DGL		
-21									SPACER, Output Shaft, 3.90mm
	04412817	1				EGA			
		1				EGH	DGL		
-22									SPACER, Output Shaft, 3.94mm
	04412818	1				EGA			
		1				EGH	DGL		
-23									SPACER, Output Shaft, 3.98mm
	04412819	1				EGA			
		1				EGH	DGL		
-24									SPACER, Output Shaft, 4.02mm
	04412820	1				EGA			
		1				EGH	DGL		
-25									SPACER, Output Shaft, 4.06mm

AR = use ase required - = Non illustrated part

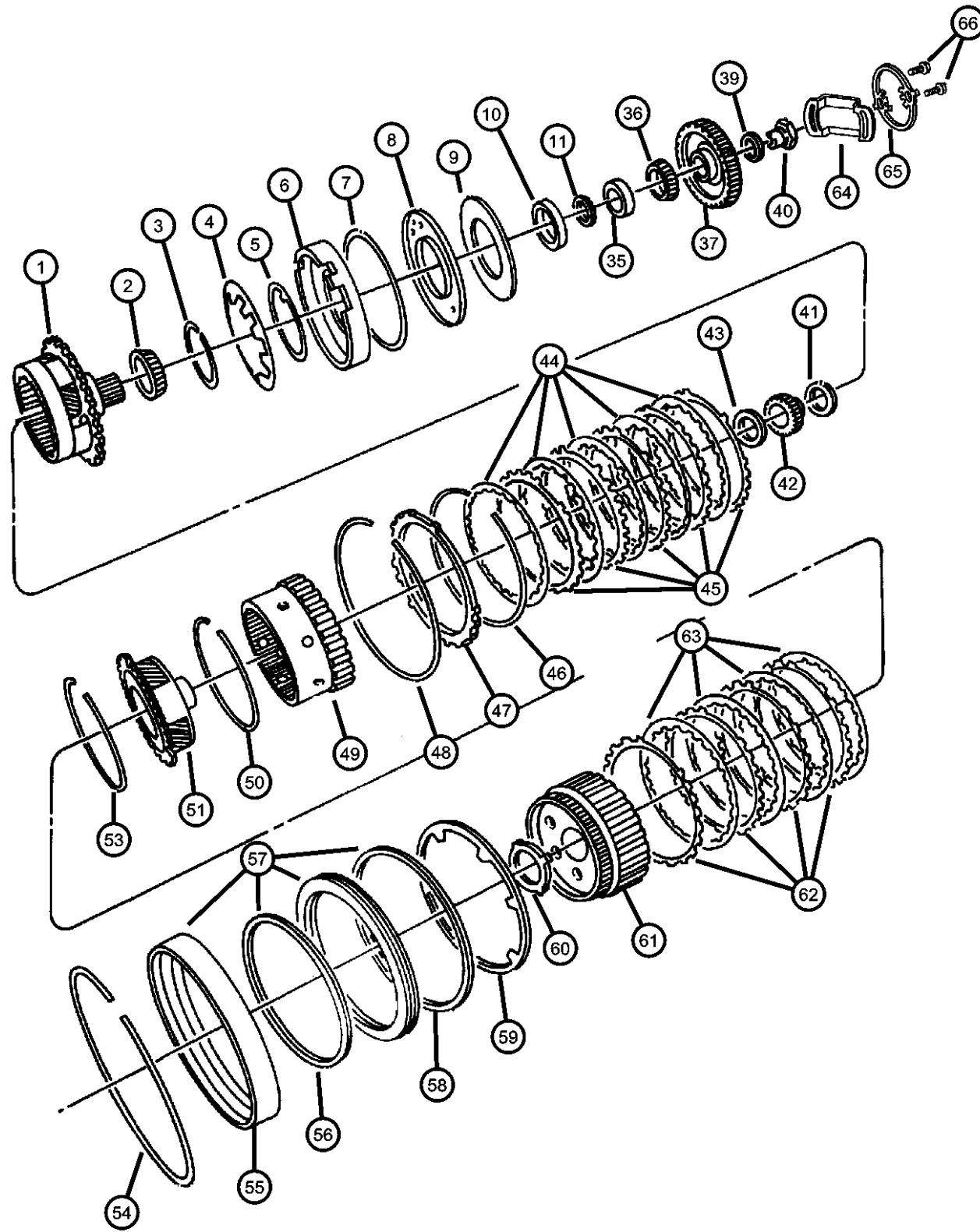
**Gear Train
Figure 41TE-AE-440**



ITEM	PART NUMBER	QTY	LINE	SERIES	BODY	ENGINE	TRANS	TRIM	DESCRIPTION
	04412821	1				EGA			
		1				EGH	DGL		
-26	04412822	1				EGA			SPACER, Output Shaft, 4.10mm
		1				EGH	DGL		
-27	04412823	1				EGA			SPACER, Output Shaft, 4.14mm
		1				EGH	DGL		
-28	04412824	1				EGA			SPACER, Output Shaft, 4.18mm
		1				EGH	DGL		
-29	04412825	1				EGA			SPACER, Output Shaft, 4.22mm
		1				EGH	DGL		
-30	04412826	1				EGA			SPACER, Output Shaft, 4.26mm
		1				EGH	DGL		
-31	04412827	1				EGA			SPACER, Output Shaft, 4.30mm
		1				EGH	DGL		
-32	04412828	1				EGA			SPACER, Output Shaft, 4.34mm
		1				EGH	DGL		
-33	04412829	1				EGA			SPACER, Output Shaft, 4.38mm
		1				EGH	DGL		
-34	04412830	1				EGA			SPACER, Output Shaft, 4.42mm
		1				EGH	DGL		
35									BEARING CUP, Output Shaft
	04412234	1				EGA			Gear Bearing, 68mm O/D
		1				EGH	DGL		Gear Bearing, 68mm
36									BEARING CONE, Output Shaft
	04412235	1				EGA			
		1				EGH	DGL		
37	04713444	1				EGA			GEAR PACKAGE, Output And Transfer Shaft, 47 Teeth and 49 Teeth
-38	04713443	1				EGH	DGL		GEAR PACKAGE, Output And Transfer Shaft, 50 Teeth and 46 Teeth
39									WASHER, Output Shaft

AR = use ase required - = Non illustrated part

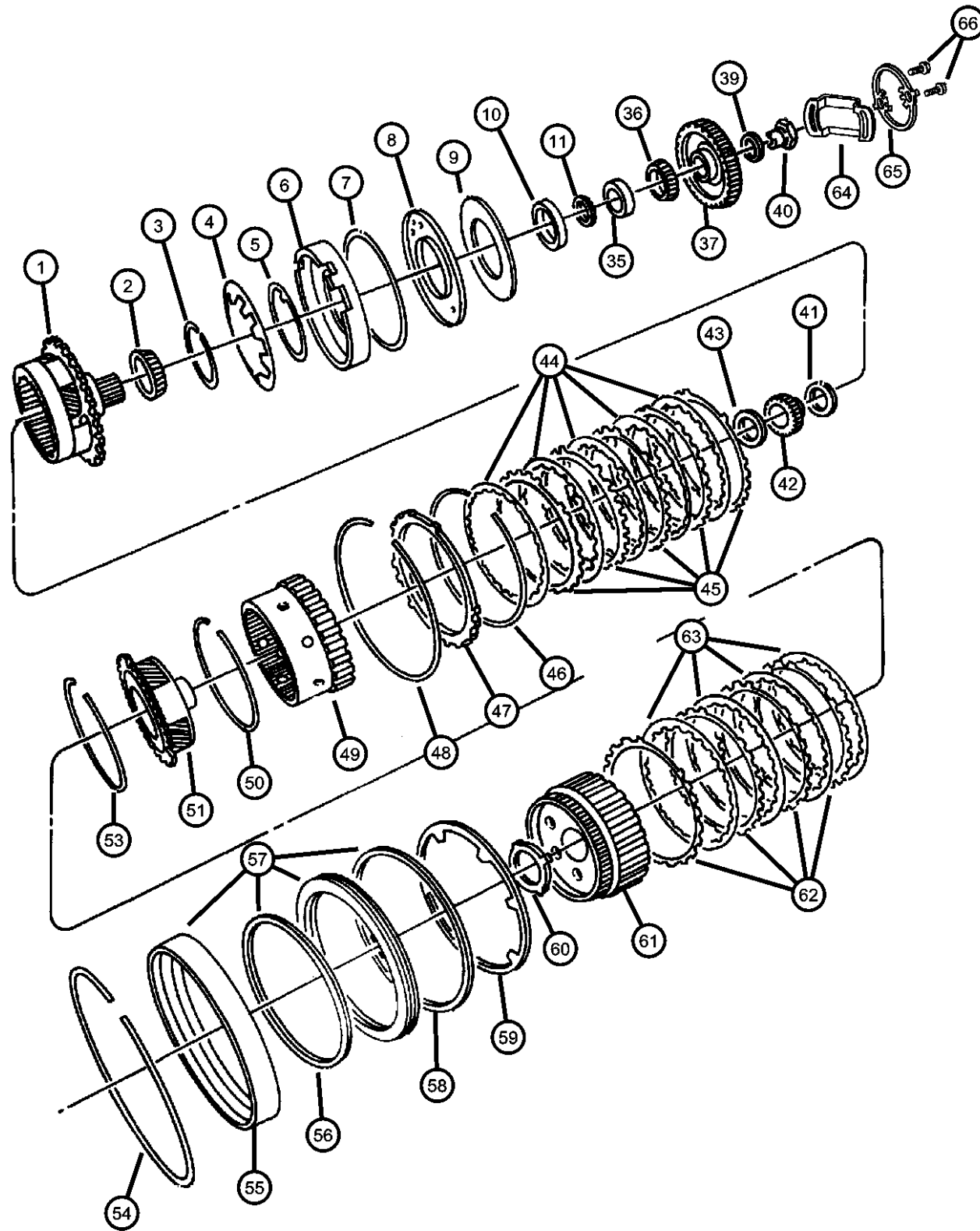
Gear Train
Figure 41TE-AE-440



ITEM	PART NUMBER	QTY	LINE	SERIES	BODY	ENGINE	TRANS	TRIM	DESCRIPTION
	06501832	1				EGA			
		1				EGH	DGL		
40	06503548	1				EGA			BOLT, Hex Head, M18x1.5x34
		1				EGH	DGL		
41									THRUST BEARING
	04567262	1				EGA			Rear Sun Gear, 1-3/4 Inch O/D
		1				EGH	DGL		Rear Sun Gear, 1-3/4
42									GEAR, Sun
	04377080	1				EGA			Rear 38 Teeth
		1				EGH	DGL		Rear 38 Teeth
43									THRUST BEARING, Rear Sun Gear, Front
	04412229	1				EGA			Needle
		1				EGH	DGL		Needle
44									DISC, Clutch
	04567573	5				EGA			Low and Reverse
		5				EGH	DGL		Low and Reverse
45									PLATE, Transmission Clutch Reaction
	04659055	5				EGA			Low and Reverse
		5				EGH	DGL		Low and Reverse
46									SNAP RING
	04412395	1				EGA			Low and Reverse Clutch, 6-1/2 Inch O/D
		1				EGH	DGL		Low and Reverse Clutch, 6-1/2 Inch
47									PLATE, Transmission Clutch Reaction
	04567893	1				EGA			Low and Reverse
		1				EGH	DGL		Low and Reverse
	04567894	1				EGA			5.23 - 5.49mm Thk.
		1				EGH	DGL		5.23 - 5.49mm Thk.
	04567895	1				EGA			5.49 - 5.75mm Thk.
		1				EGH	DGL		5.49 - 5.75mm Thk.
	04567896	1				EGA			5.75 - 6.01mm Thk.
		1				EGH	DGL		5.75 - 6.01mm Thk.
	04567897	1				EGA			6.01 - 6.27mm Thk.
		1				EGH	DGL		6.01 - 6.27mm Thk.
	04567898	1				EGA			6.27 - 6.53mm Thk.
		1				EGH	DGL		6.27 - 6.53mm Thk.
	04567899	1				EGA			6.53 - 6.79mm Thk.
		1				EGH	DGL		6.53 - 6.79mm Thk.

AR = use ase required - = Non illustrated part

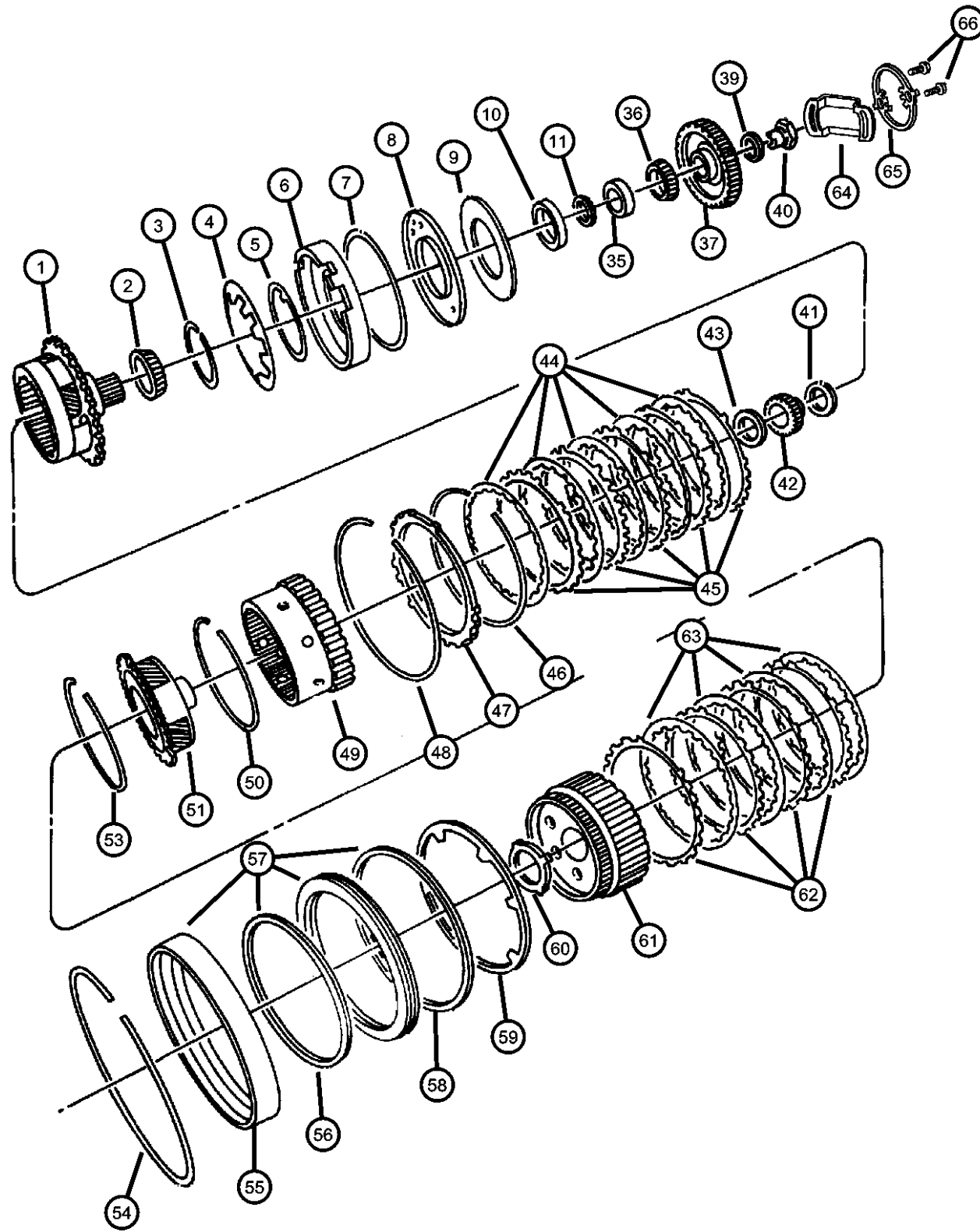
Gear Train
Figure 41TE-AE-440



ITEM	PART NUMBER	QTY	LINE	SERIES	BODY	ENGINE	TRANS	TRIM	DESCRIPTION
48	04412269	1				EGA			SNAP RING Low and Reverse Clutch, Tapered 7 Inch O/D
49	04567632	1				EGH	DGL		GEAR, Rear Annulus
50	06035238	2				EGA			SNAP RING Rear Annulus Gear, 4-3/4 Inch O/D, .062 Inch Thick
51	04659197	1				EGA			CARRIER, Planetary Pinion Front
-52	04567262	1				EGA			THRUST BEARING Front Planet Pinion Carrier
53	06035238	2				EGA			SNAP RING Rear Annulus Gear, 4-3/4 Inch O/D, .062 Inch Thick
54	04505591	1				EGA			SNAP RING Second and Fourth Clutch
55	K4431650	1				EGA			RETAINER, Transmission 2nd and 4th Clutch Piston
56	04856002	1				EGA			SEAL PACKAGE, Transmission Clutch Second and Fourth Clutch Piston, Inner and Outer Seal, 145mm O/D
57	04883078	1				EGA			RETAINER PACKAGE, 2nd & 4th Clutch Piston
58	04856002	1				EGA			SEAL PACKAGE, Transmission Clutch Second and Fourth Clutch Piston, Outer and Inner Seal, 150mm O/D
59		1				EGH	DGL		SPRING, 2nd And 4th Clutch Piston

AR = use ase required - = Non illustrated part

Gear Train
Figure 41TE-AE-440

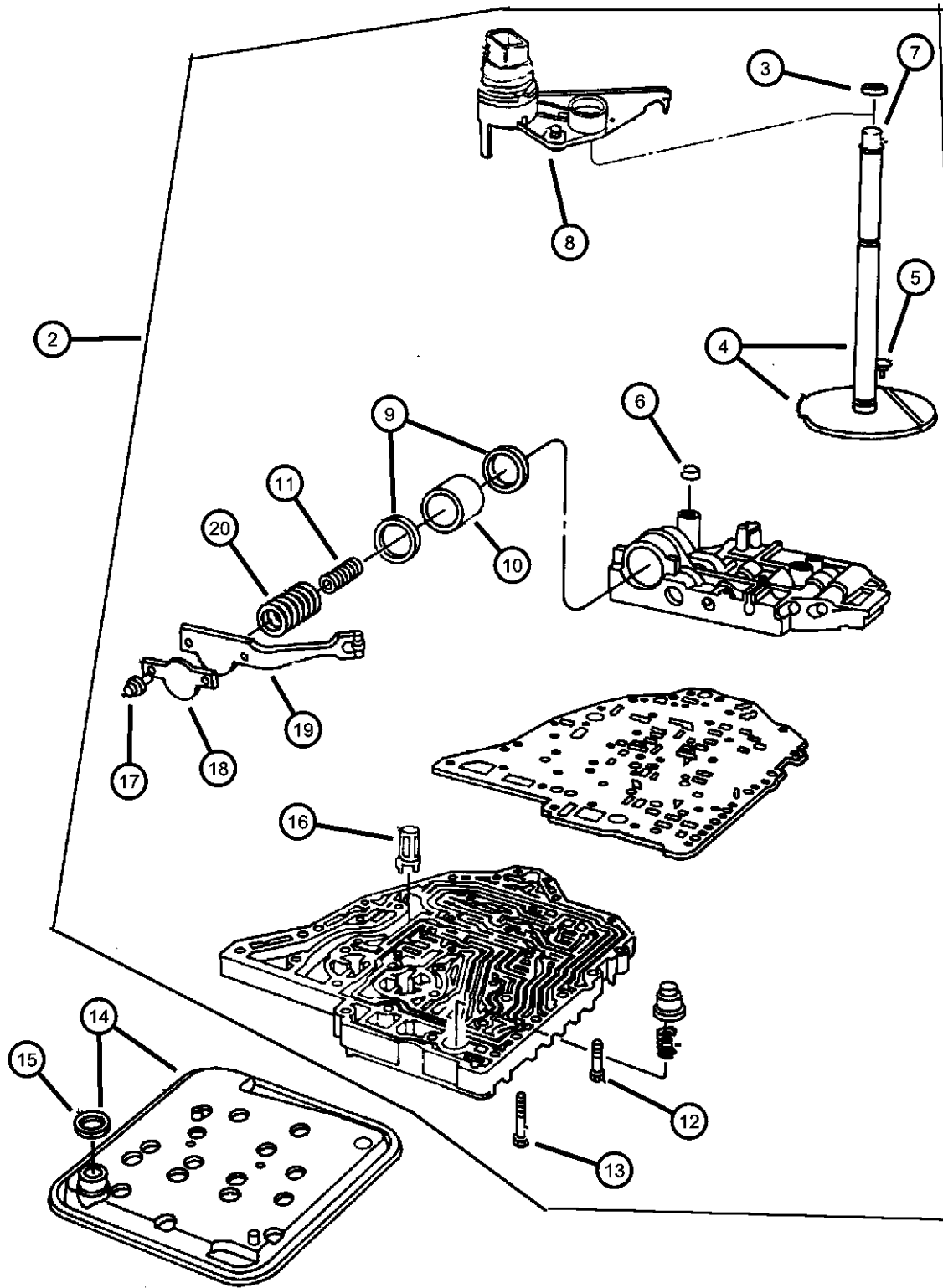


ITEM	PART NUMBER	QTY	LINE	SERIES	BODY	ENGINE	TRANS	TRIM	DESCRIPTION
	04412248	1				EGA	DGL		Return
60		1				EGH	DGL		THRUST WASHER, Second and Fourth Clutch
	04412216	1				EGA			4 Tabs
61		1				EGH	DGL		HUB AND GEAR, Second And Fourth Clutch
	04659618	1				EGA			
62		1				EGH	DGL		PLATE, Transmission Clutch Reaction
	04659054	4				EGA			Second and Fourth
63		4				EGH	DGL		DISC, Clutch
	04799860AA	4				EGA			Second and Fourth
64		4				EGH	DGL		STIRRUP, Retaining Nut
	04567263	1	C			EGA			Output Gear
		1	Y			EGA			Output Gear
		1	Z			EGA			Output Gear
		1	Y			EGH	DGL		Output Gear
		1	Z			EGH	DGL		Output Gear
65									STRAP, Retaining
	04659134	1				EGA			
		1				EGH	DGL		
66	06503355	2				EGA			BOLT, Hex Head, M8x1.25x10.00

AR = use ase required - = Non illustrated part

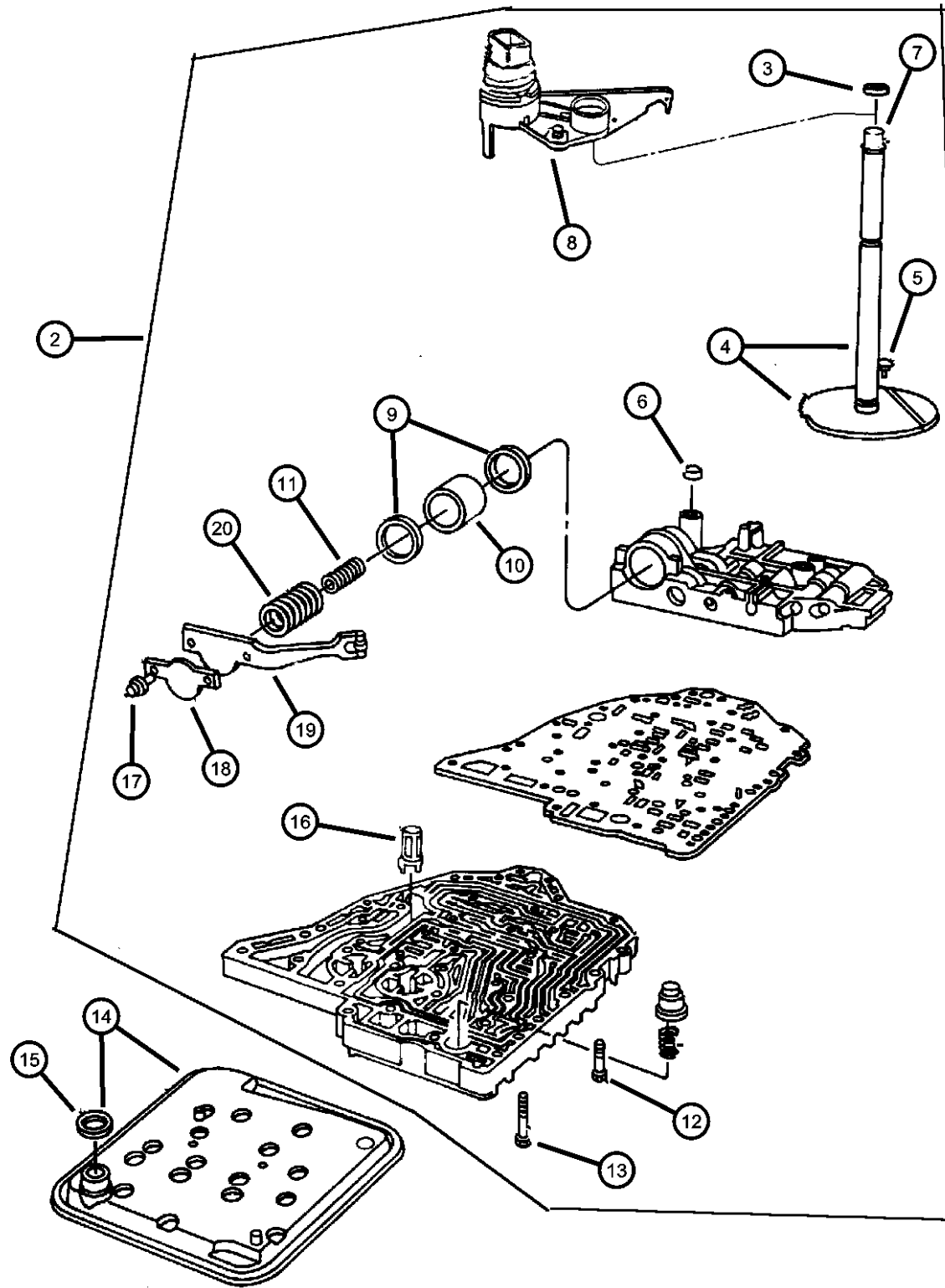
Valve Body
Figure 41TE-AE-715

ITEM	PART NUMBER	QTY	LINE	SERIES	BODY	ENGINE	TRANS	TRIM	DESCRIPTION
NOTE: Sales Codes: EGH=3.8L V-6 MPI DGL=4 Speed Automatic Transmission									
-1									GASKET PACKAGE, Valve Body
	04864696	1				EGA			
		1				EGH	DGL		
2									VALVE BODY, Complete
	04864781	1	C			EGA			
	R4864781								Mopar Remanufactured Part
		1	Y			EGA			
	R4864781								Mopar Remanufactured Part
		1	Z			EGA			
	R4864781								Mopar Remanufactured Part
		1	C			EGH	DGL		
	R4864781								Mopar Remanufactured Part
		1	Y			EGH	DGL		
	R4864781								Mopar Remanufactured Part
		1	Z			EGH	DGL		
	R4864781								Mopar Remanufactured Part
3									SEAL, Manual Valve Lever
	04412836	1				EGA			
		1				EGH	DGL		
4									LEVER, Manual Valve
	04883316	1				EGA			
		1				EGH	DGL		
5									SCREW, Shoulder/Truss, M5x.8x21.5
	06502434	1				EGA			
		1				EGH	DGL		
6									SEAL, Clutch Feed
	04412291	1				EGA			
		1				EGH	DGL		
7									VENT, Transmission
	04505557	1	C			EGA			
		1	Y			EGA			
		1	Z			EGA			
		1	C			EGH	DGL		
		1	Y			EGH	DGL		
		1	Z			EGH	DGL		
8									SENSOR, Transmission Range
	04659559	1				EGA			



AR = use ase required - = Non illustrated part

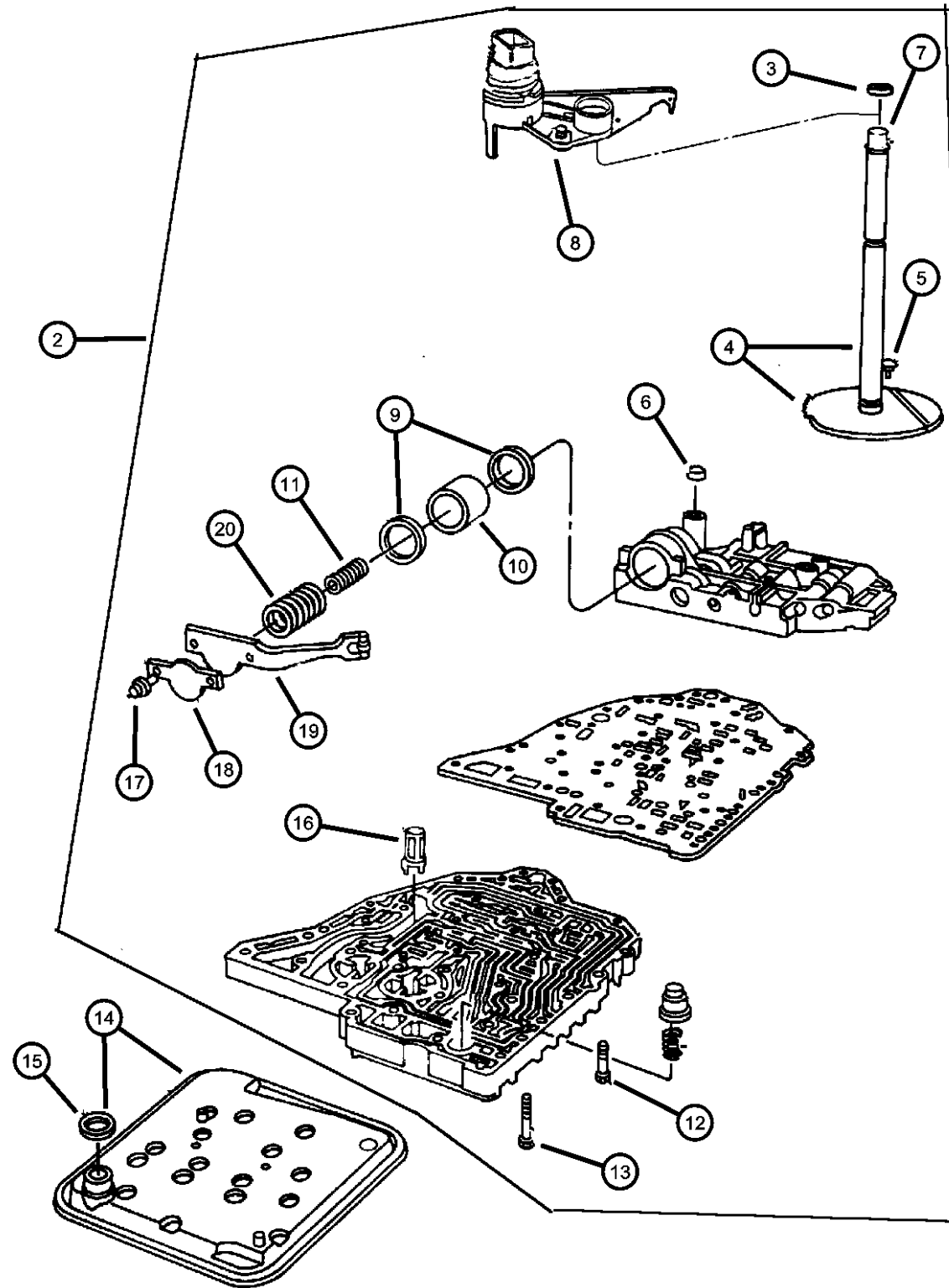
Valve Body
Figure 41TE-AE-715



ITEM	PART NUMBER	QTY	LINE	SERIES	BODY	ENGINE	TRANS	TRIM	DESCRIPTION
9		1				EGH	DGL		SEAL, Accumulator
	04446544	2				EGA			
		2				EGH	DGL		
10									PISTON, Accumulator
	04446620	1				EGA			
		1				EGH	DGL		
11									SPRING, Accumulator
	04567575	1				EGA			Inner
		1				EGH	DGL		Inner
12									SCREW AND WASHER, Pan Head, M5x.8x25
	06500215	23				EGA			
		23				EGH	DGL		
13									BOLT, Hex Head, M8x30
	06100155	18				EGA			
		18				EGH	DGL		
14									FILTER PACKAGE, Transmission Oil
	04864505	1				EGA			
		1				EGH	DGL		
15									O RING, Trans Oil Filter
	06032780	1				EGA			
		1				EGH	DGL		
16									SCREEN, Transmission Regulator Valve
	03878313	1				EGA			
		1				EGH	DGL		
17									SCREW, Pan Head, M5 x 0.8 x 12.60
	06503232	3				EGA			
		3				EGH	DGL		
18									RETAINER, Transmission 2nd and 4th Accumulator Piston
	04431711	1				EGA			
		1				EGH	DGL		
19									DETENT, Valve Body
	04431710	1				EGA			
		1				EGH	DGL		
20									SPRING, Accumulator
	04471880	1				EGA			Second and Fourth, Outer
		1				EGH	DGL		
-21									VALVE, Transmission Regulator

AR = use ase required - = Non illustrated part

Valve Body
Figure 41TE-AE-715



ITEM	PART NUMBER	QTY	LINE	SERIES	BODY	ENGINE	TRANS	TRIM	DESCRIPTION
------	-------------	-----	------	--------	------	--------	-------	------	-------------

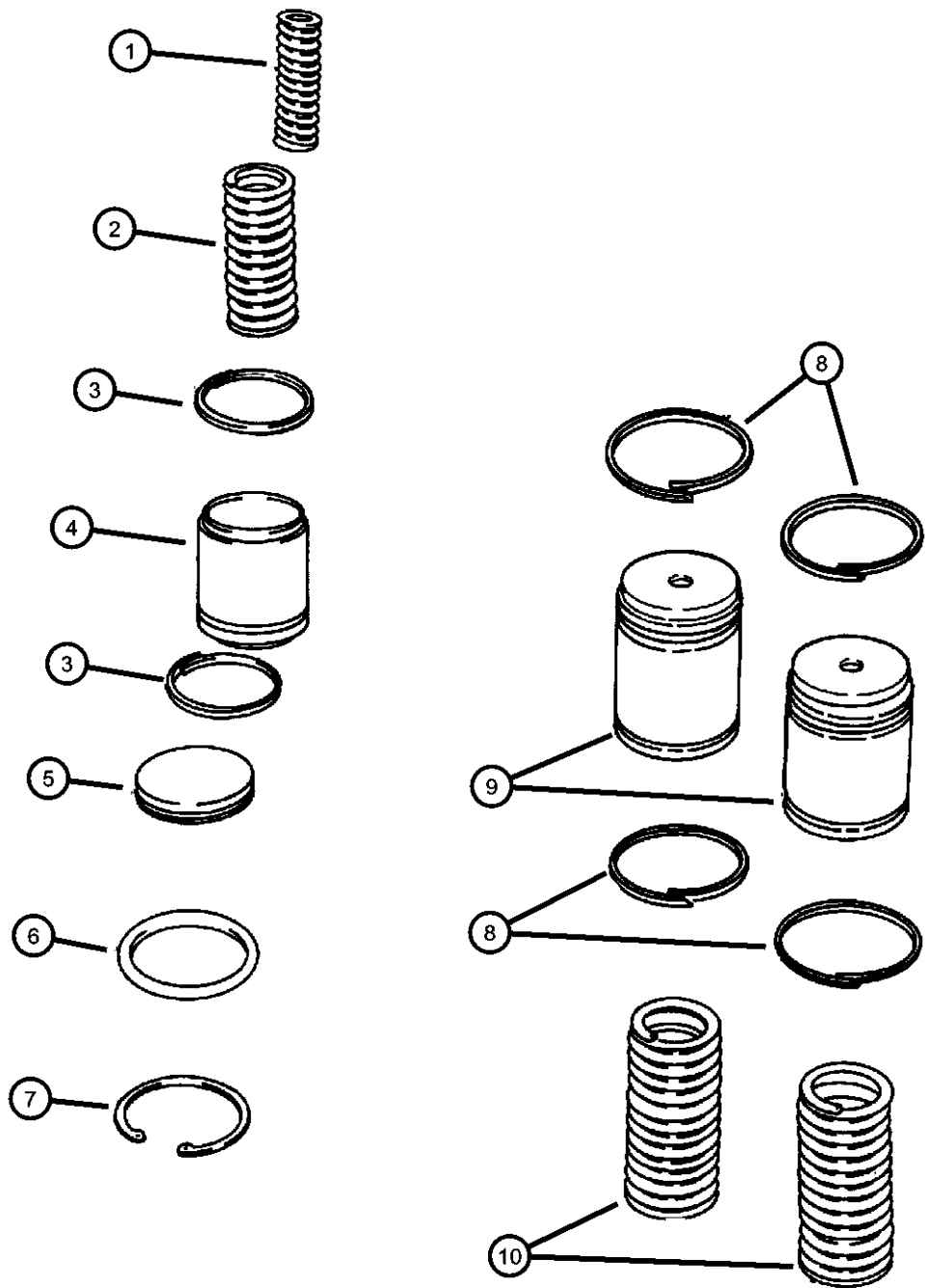
	04659081	1				EGA			
		1				EGH	DGL		

AR = use ase required - = Non illustrated part

Accumulator Piston And Springs
Figure 41TE-AE-725

ITEM	PART NUMBER	QTY	LINE	SERIES	BODY	ENGINE	TRANS	TRIM	DESCRIPTION
------	-------------	-----	------	--------	------	--------	-------	------	-------------

NOTE:
 Sales Codes:
 EGH=3.8L V-6 MPI
 DGL=4 Speed Automatic Transmission



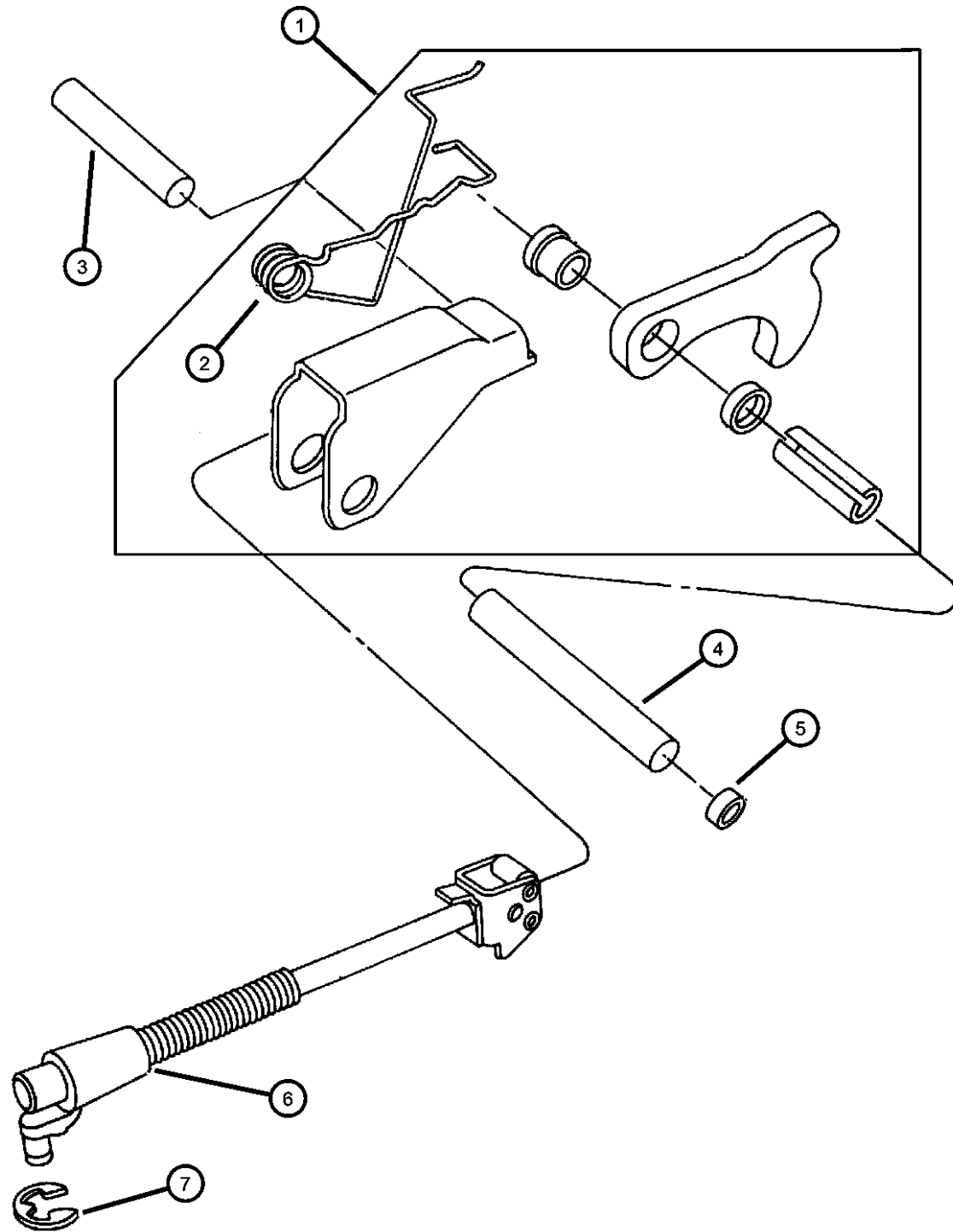
1	04567575	1				EGA			SPRING, Accumulator Low and Reverse, Inner
2	04471880	1				EGH	DGL		Low and Reverse, Inner SPRING, Accumulator
3	04446544	2				EGA			SEAL, Accumulator
4	04446620	1				EGH	DGL		PISTON, Accumulator
5	04431617	1				EGA			COVER, Accumulator
6	06501549	1				EGH	DGL		O RING, Accumulator, Transmission
7	06501695	1				EGA			SNAP RING Accumulator
8	04446544	2				EGH	DGL		Accumulator SEAL, Accumulator
9	04446620	1				EGA			PISTON, Accumulator
10	04471880	1				EGH	DGL		SPRING, Accumulator Outer
		1				EGA			Outer
		1				EGH	DGL		Outer

AR = use ase required - = Non illustrated part

**Parking Sprag
Figure 41TE-AE-740**

ITEM	PART NUMBER	QTY	LINE	SERIES	BODY	ENGINE	TRANS	TRIM	DESCRIPTION
------	-------------	-----	------	--------	------	--------	-------	------	-------------

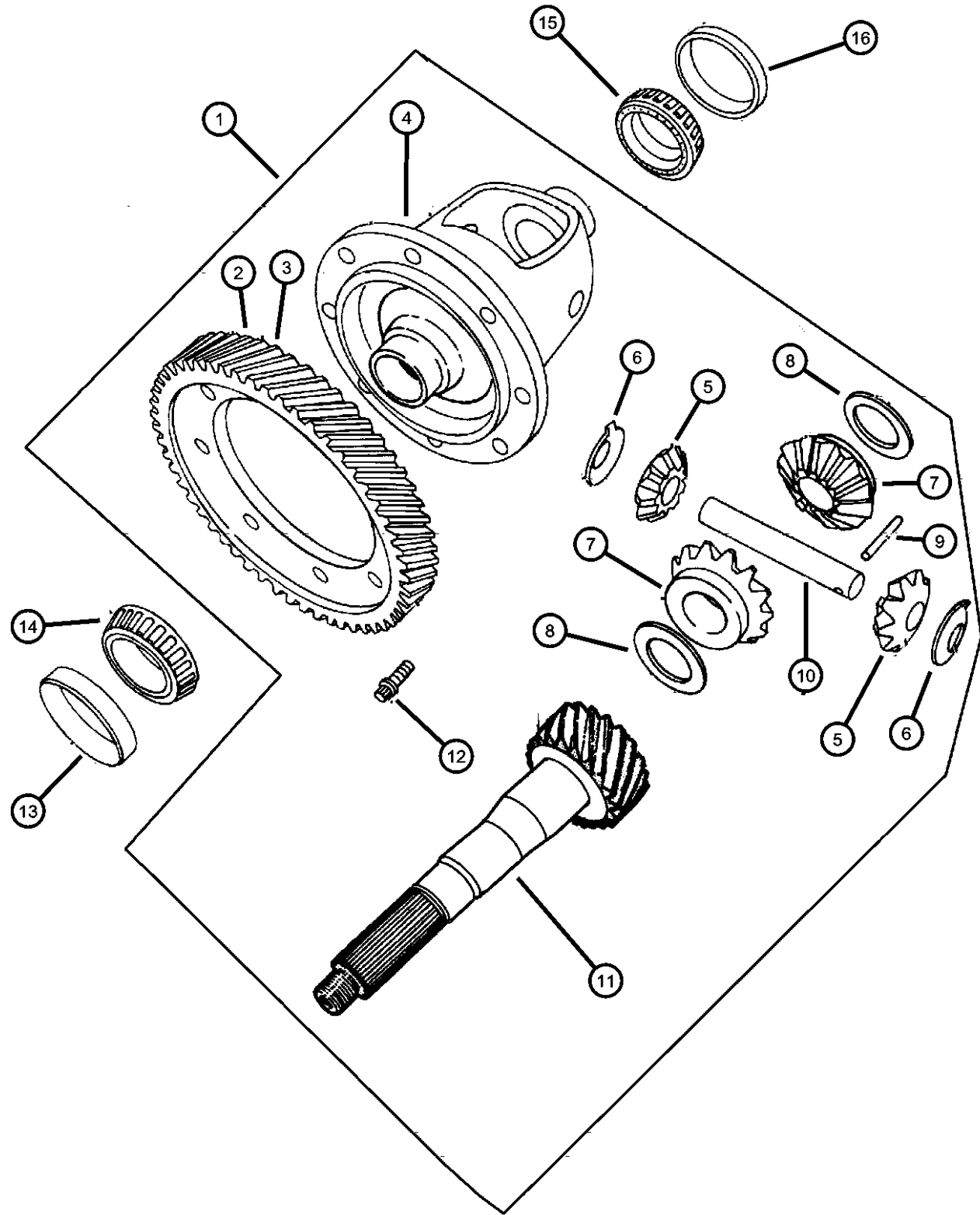
NOTE:
Sales Codes:
EGH=3.8L V-6 MPI
DGL=4 Speed Automatic Transmission



1									GUIDE PACKAGE, Parking Sprag Pawl
	04883505AA	1				EGA			
		1				EGH	DGL		
		1				EDZ	DGL		
2									SPRING, Parking Sprag Return
	04431653	1				EGA			
		1				EGH	DGL		
3									SHAFT, Parking Sprag
	04431999	1				EGA			M9.5x52
		1				EGH	DGL		M9.5x52
4									SHAFT, Parking Sprag
	04412289	1				EGA			M8.68x67
		1				EGH	DGL		M8.68x67
5									CUP, Parking Brake Sprag
	04446612	1				EGA			
		1				EGH	DGL		
6	04431634	1				EGA			ROD, Parking Sprag
7									SNAP RING, Rod
	06035256	1				EGA			E Ring
		1				EGH	DGL		E Ring

AR = use ase required - = Non illustrated part

**Differential
Figure 41TE-AE-820**



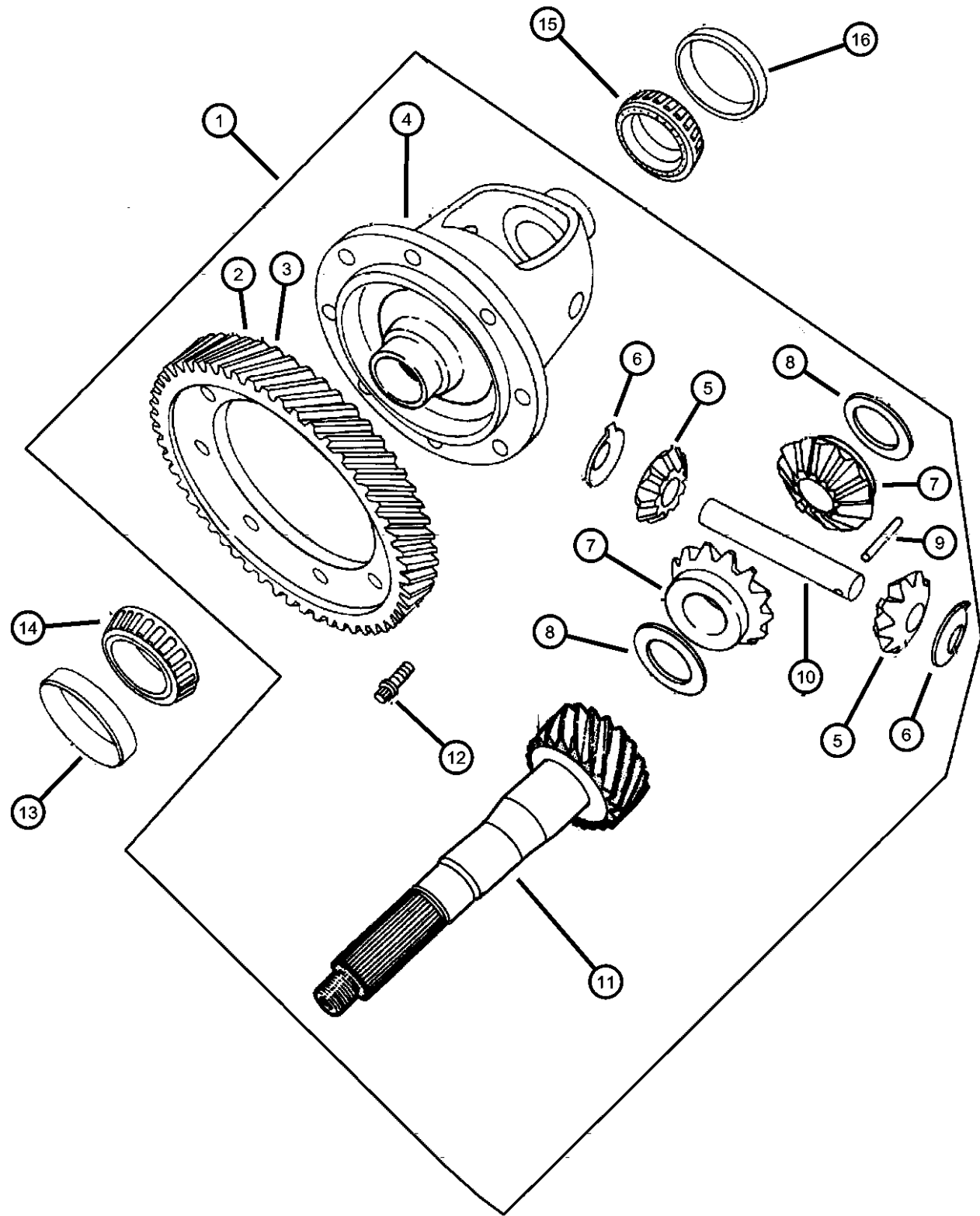
ITEM	PART NUMBER	QTY	LINE	SERIES	BODY	ENGINE	TRANS	TRIM	DESCRIPTION
------	-------------	-----	------	--------	------	--------	-------	------	-------------

NOTE:
Sales Codes:
EGH=3.8L V-6 MPI
DGL=4 Speed Automatic Transmission

1									DIFFERENTIAL, Transaxle
	04659494	1				EGA			
	04659495	1				EGH	DGL		All Wheel Drive
2	04659592	1				EGA			GEAR, Differential Ring, 59 Teeth
3	04659175	1				EGH	DGL		GEAR, Differential Ring, 60 Teeth
4									CASE, Differential
	04659500	1				EGA			Front Wheel, Drive
	04659501	1				EGH	DGL		All Wheel Drive, Drive
5									PINION, Differential
	04348679	2				EGA			
		2				EGH	DGL		
6									WASHER, Thrust
	04412521	2				EGA			
		2				EGH	DGL		
7									GEAR, Differential Side
	04659502	2				EGA			
		2				EGH	DGL		
8									WASHER PACKAGE, Side Gear Thrust
	04504568	AR				EGA			
		AR				EGH	DGL		
9									PIN, Pinion Shaft
	06503827	1				EGA			
		1				EGH	DGL		
10									SHAFT, Pinion Gear
	04659142	1				EGA			
		1				EGH	DGL		
11									SHAFT, Transfer Gear
	04531976	1				EGH	DGL		16 Teeth
	04531978	1				EGA			17 Teeth
12									BOLT, Hex Head, M10x1.00x25
	06501240	12				EGA			
		12				EGH	DGL		M10x1.0x25
13									CUP, Differential Side
	04659237	1				EGA			Left Side
		1				EGH	DGL		Left Side
14									BEARING CONE, Differential
	04659238	1				EGA			Left Side

AR = use ase required - = Non illustrated part

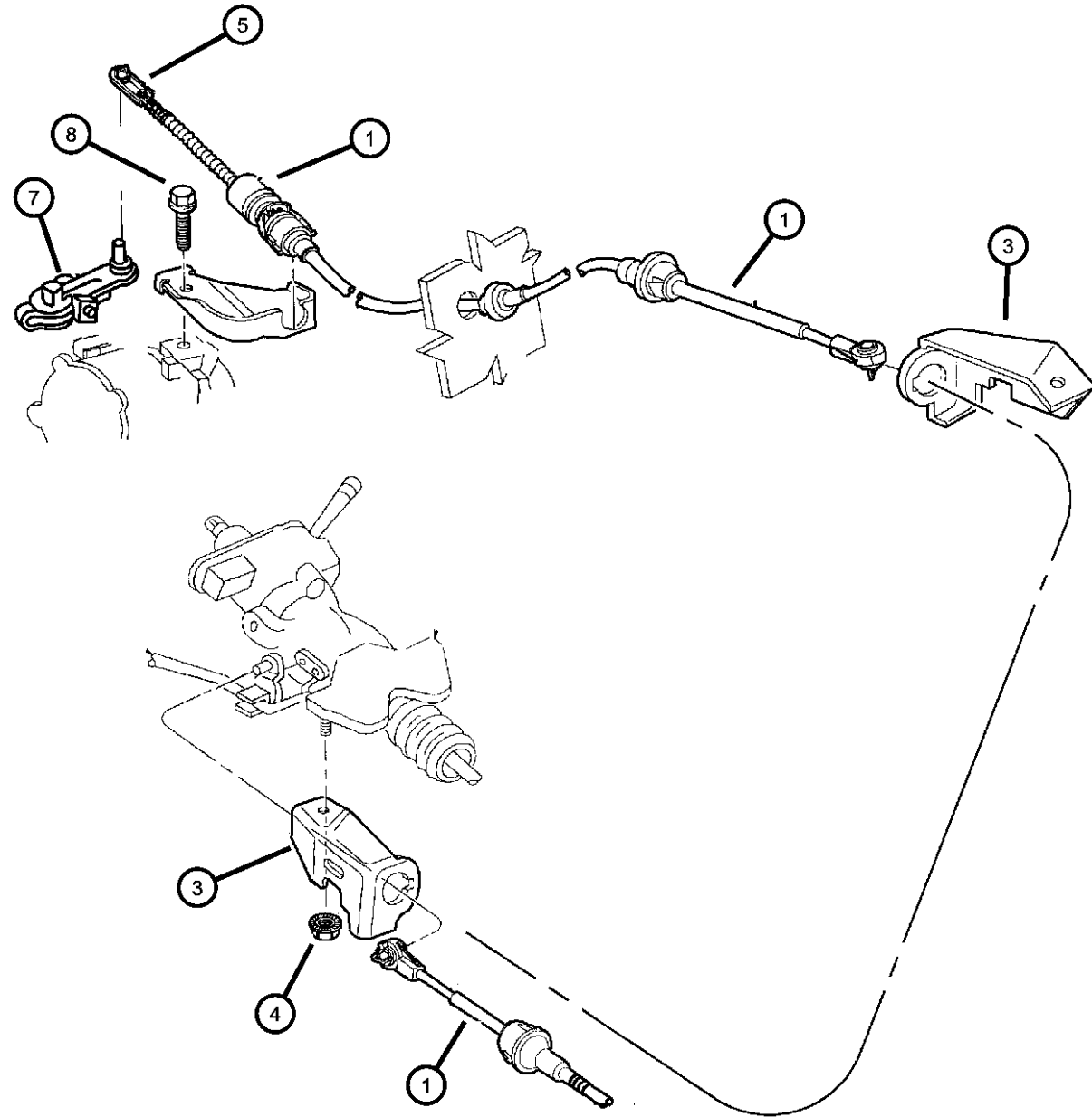
Differential
Figure 41TE-AE-820



ITEM	PART NUMBER	QTY	LINE	SERIES	BODY	ENGINE	TRANS	TRIM	DESCRIPTION
		1				EGH	DGL		Left Side
15		1				EGA			BEARING CONE, Differential
	04446610	1				EGA			36mm I/D, Right Side, Front Wheel Drive
	04567382	1				EGH	DGL		46mm I/D, Right Side, All Wheel Drive
16	04446689	1				EGA			BEARING CUP, Differential, Front Wheel Drive
-17	04446689	1							SEAL, Differential Case, (NOT REQUIRED)
-18	04446689	1							SHAFT, Differential, (NOT REQUIRED)

AR = use ase required - = Non illustrated part

Controls, Gearshift, Column Shift
Figure 41TE-AE-1225



ITEM	PART NUMBER	QTY	LINE	SERIES	BODY	ENGINE	TRANS	TRIM	DESCRIPTION
NOTE: Sales Codes: EGH=3.8L V-6 MPI DGL=4 Speed Automatic Transmission									
1	04670122	1	C, Y				DGL		CABLE, Gearshift Control
-2	04641631	1	U, Z				DGL		CABLE, Gear Selector
3	04670438	1					DGL		BRACKET, Gearshift Cable
4	06500284	4							NUT, Hex, M6x1.00
5									SCREW AND WASHER, Hex Head, M5x.8x14
	06500776	1	C, Y				DGL		
		1	U, Z				DGL		
-6	04670128	1					DGL		BRACKET, Transmission Control Cable, Serviced in Engine Mount Assy-4612755AB
7	04670322	1					DGL		LEVER, Manual Control
8	06101453	1					DGL		SCREW AND WASHER, Hex Head, M8x1.25x30, M8x1.25x30

AR = use ase required - = Non illustrated part

Group - A558

Manual Transaxle 5 Speed

Group - A558 Manual Transaxle 5 Speed

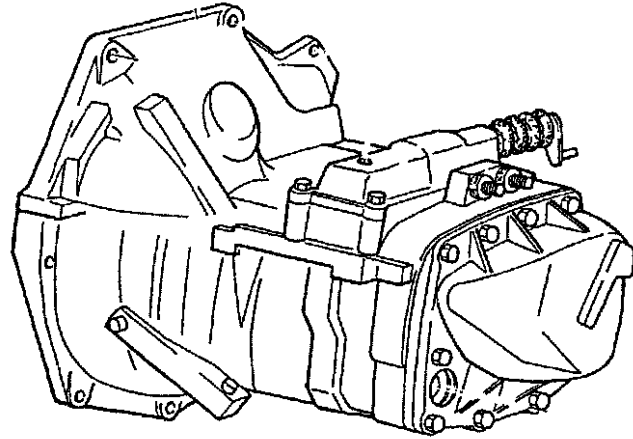


Illustration Title

Group-Fig. No.

Transaxle Assembly

Transaxle and Mounting Fig. A558 - 110

Case and Extension

Case and Related Parts Fig. A558 - 210

Gear Train

Gear Train Fig. A558 - 410

Differential

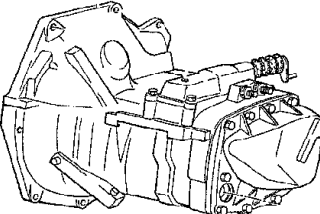
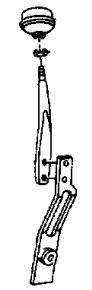
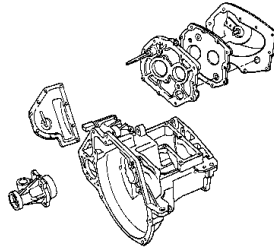
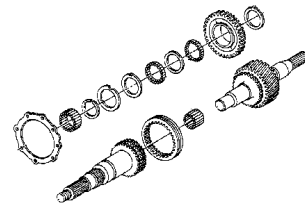
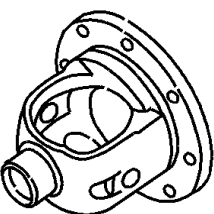
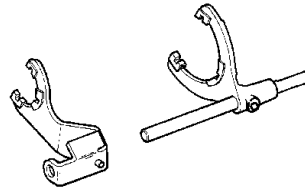
Differential Fig. A558 - 810

Fork and Rail

Fork and Rail Fig. A558 - 910

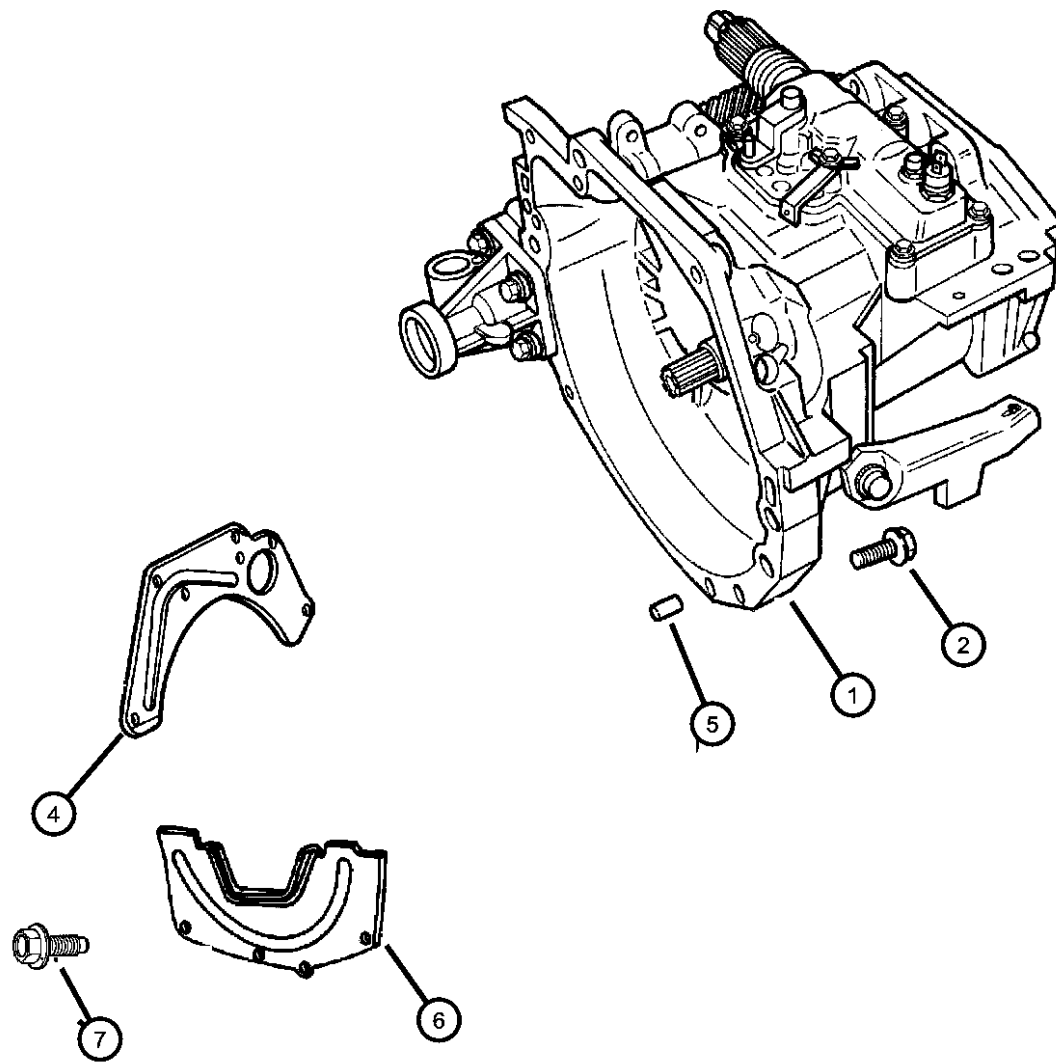
Gearshift Controls

Controls, Gearshift Fig. A558 - 1210

<p>A558-100 Transaxle Assembly</p> 	<p>A558-1200 Gearshift Controls</p> 	<p>A558-200 Case and Extension</p> 	<p>A558-400 Gear Train</p> 
<p>A558-800 Differential</p> 	<p>A558-900 Fork and Rail</p> 		

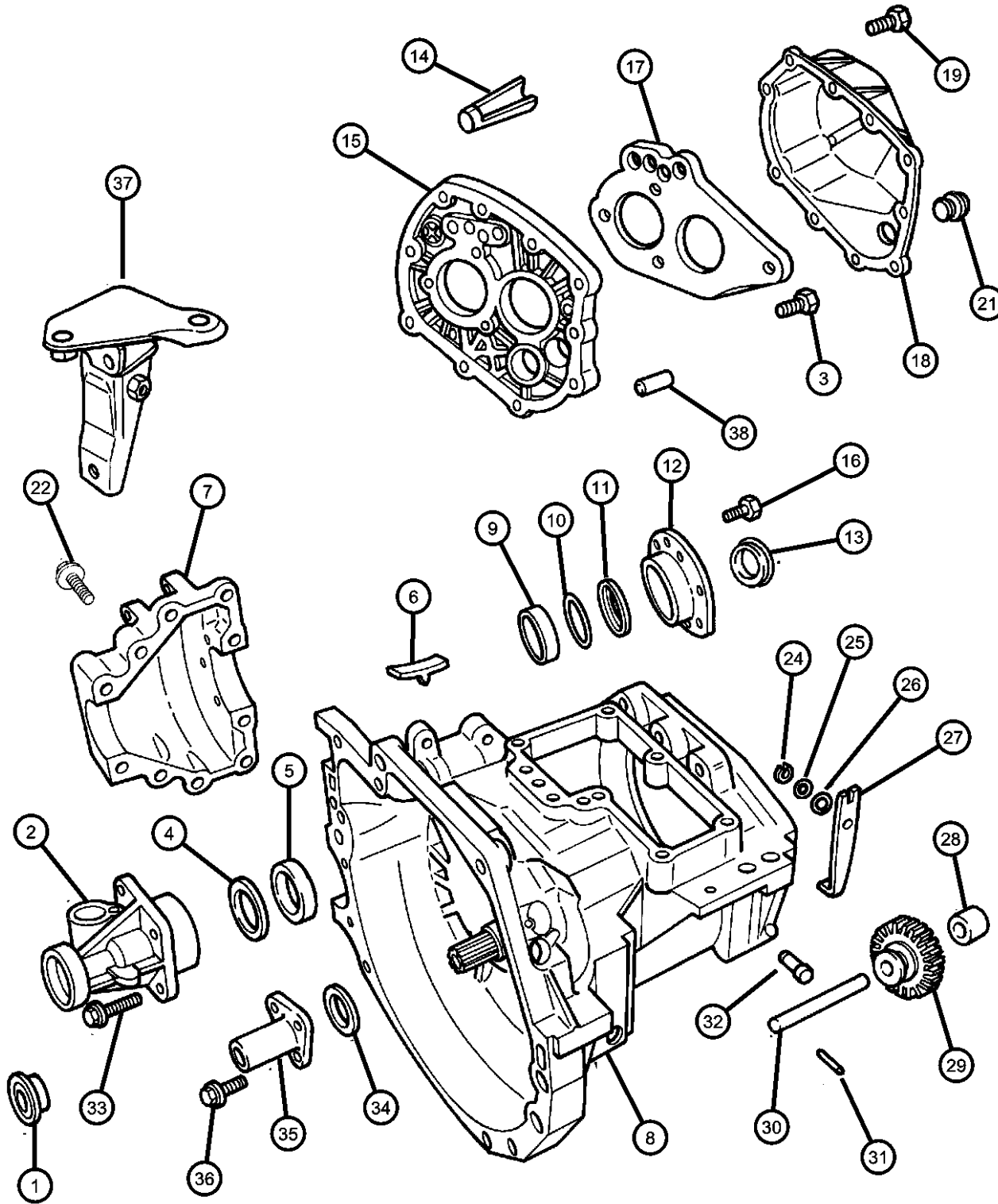
**Transaxle and Mounting
Figure A558-110**

ITEM	PART NUMBER	QTY	LINE	SERIES	BODY	ENGINE	TRANS	TRIM	DESCRIPTION
NOTE: Sales Codes: ECB=2.0L 4Cyl. SOHC 16V ENC=2.5L 4Cyl. Turbo Diesel EDZ=2.4L 4Cyl. DOHC 16V DDF=5 Speed Manual Transmission DD3=5 Speed Manual Transmission									
1									TRANSAXLE
	04641751	1	Y			ECB	DDF		With 2.0L 4Cyl. Engine, 3.30 Overall Gear Ratio
	04641752	1	Z			ECB	DDF		With 2.0L 4Cyl. Engine, 3.30 Overall Gear Ratio, Right Hand Drive
2	06500585	4				ENC			SCREW AND WASHER, Hex Head Locking, M12x1.75x59.20
-3	06501164	3					DD3, DDF		SCREW, Hex Head, M12x1.75x50
4	04641557	1				ECB, EDZ			COVER, Transaxle Rear, Chain / Gear
5									DOWEL, Block To Clutch Housing
	05240849	2				ECB			
		2				EDZ			
6									COVER, Transaxle Rear, Chain / Gear
	04641557	1				ECB, EDZ			Upper
	04641558	1				ECB, EDZ			Lower
7	06500136	1				ECB, EDZ			SCREW AND WASHER, Hex Head, M6x1x14



AR = use ase required - = Non illustrated part

Case and Related Parts
Figure A558-210



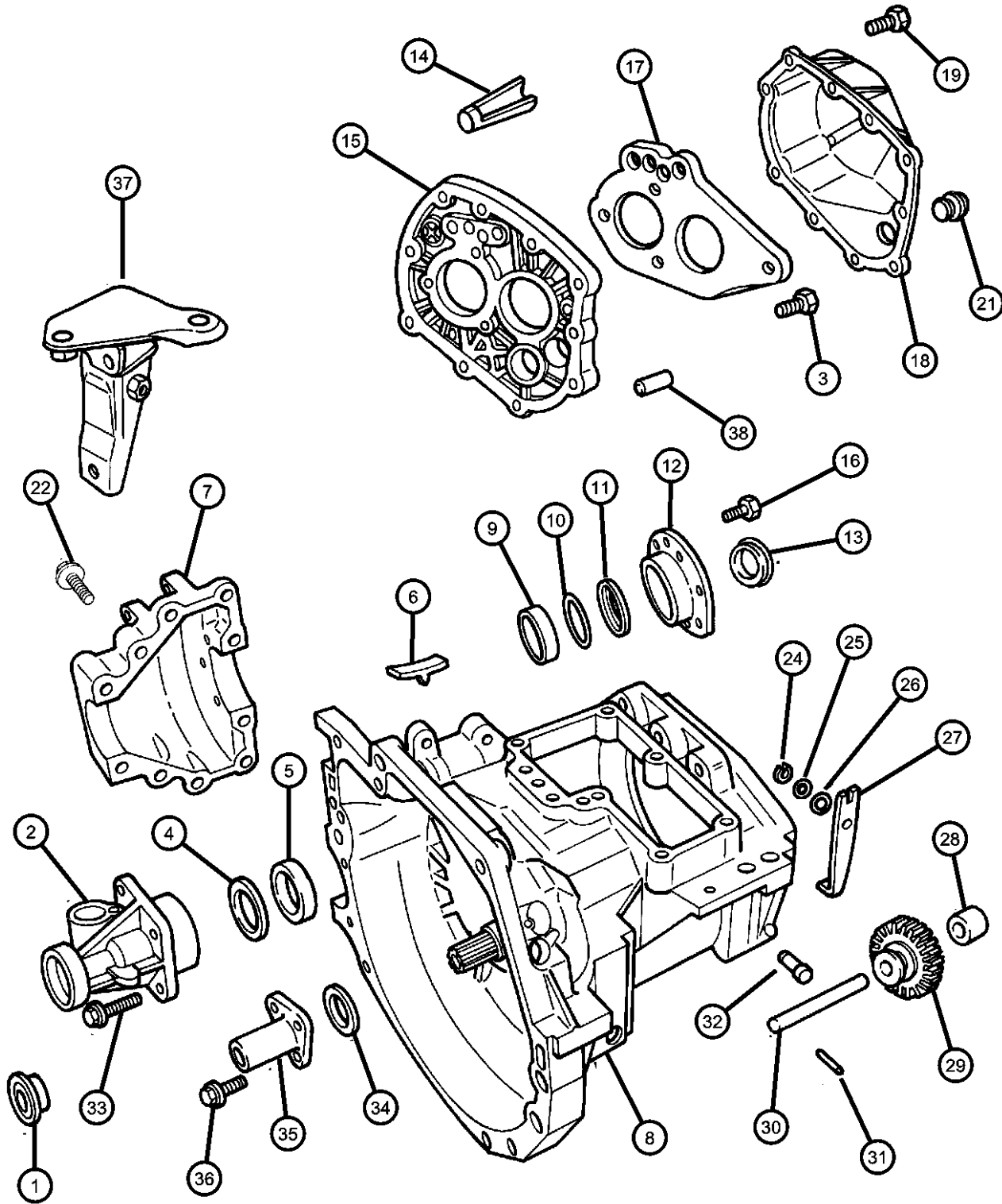
ITEM	PART NUMBER	QTY	LINE	SERIES	BODY	ENGINE	TRANS	TRIM	DESCRIPTION
------	-------------	-----	------	--------	------	--------	-------	------	-------------

NOTE:
Sales Codes:
ECB=2.0L 4Cyl. SOHC 16V
ENC=2.5L 4Cyl. Turbo Diesel
EDZ=2.4L 4Cyl. DOHC 16V
DDF=5 Speed Manual Transmission
DD3=5 Speed Manual Transmission

1									SEAL, Differential Bearing
	04797334	1	Y			ECB	DDF		
		1	Z			ECB			
2									EXTENSION, Transaxle
	04856877	1	Y			ECB	DDF		
		1	Z			ECB	DDF		
3									BOLT
	06500318	4	Y			ECB			
		4	Z			ECB			
4									RETAINER, Transmission Extension Oil
	04567494	1	Y			ECB	DDF		
		1	Z			ECB	DDF		
5									CUP, Differential Bearing
	04797333	1	Y			ECB	DDF		
		1	Z			ECB	DDF		
6									MAGNET, Transmission
	04761078	1	Y			ECB	DDF		
		1	Z			ECB	DDF		
7									PAN, Transaxle Differential Oil, (NOT SERVICED)
8									CASE, Transaxle, (NOT SERVICED)
9									CUP, Differential Bearing
	04797333	1	Y			ECB	DDF		
		1	Z			ECB	DDF		
10									RETAINER, Transmission Extension Oil
	04567494	1	Y			ECB	DDF		
		1	Z			ECB	DDF		
11									RETAINER, Differential
	05222256	1	Y			ECB	DDF		
		1	Z			ECB	DDF		
12									RETAINER, Differential Bearing
	04856879	1	Y			ECB	DDF		
		1	Z			ECB	DDF		
13									SEAL, Differential Bearing
	04797334	1	Y			ECB	DDF		

AR = use ase required - = Non illustrated part

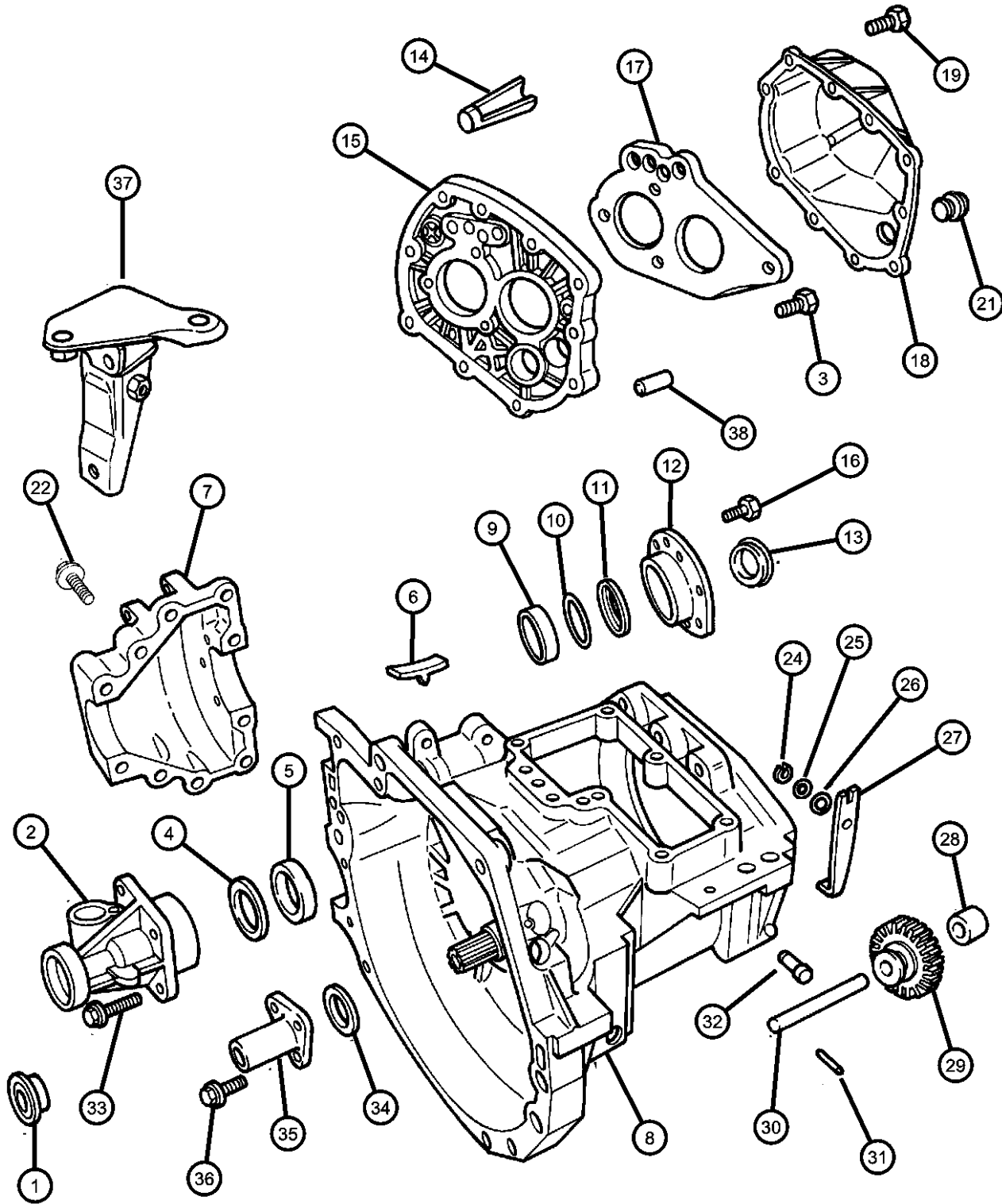
Case and Related Parts
Figure A558-210



ITEM	PART NUMBER	QTY	LINE	SERIES	BODY	ENGINE	TRANS	TRIM	DESCRIPTION
14		1	Z		ECB				SLINGER, Oil
	04856270	1	Y		ECB	DDF			
		1	Z		ECB	DDF			
15		1	Y		ECB	DDF			PLATE, Bearing Support
	04856269	1	Z		ECB	DDF			
16		6	Y		ECB	DDF			BOLT, Retainer
	06501371	6	Z		ECB	DDF			
17		1	Y		ECB	DDF			PLATE, Bearing Backup
	04856273	1	Z		ECB	DDF			
18		1	Y		ECB	DDF			COVER, Transaxle Rear
	04797350	1	Z		ECB	DDF			
19		10	Y		ECB	DDF			BOLT, Adjusting, M8x1.25x50.00
	04856847	10	Z		ECB	DDF			
-20	04348325	1					DD3, DDF		PLUG, Oil Fill
21									PLUG, Transmission Drain
	04797323	1	Y		ECB	DDF			
		1	Z		ECB	DDF			
22									SCREW, Flange Head, M10x1.5x40
	06501401	2	Y		ECB	DDF			
		2	Z		ECB	DDF			M10x1.50x40
-23									SCREW, Flange Head, M10x1.5x65
	06501400	4	Y		ECB	DDF			
		4	Z		ECB	DDF			M10x1.50x65
24									CLIP, Cylinder Retainer
	06026125	1	Y		ECB	DDF			
		1	Z		ECB	DDF			
25									WASHER, Wave, .359x.593x.010
	00391888	1	Y		ECB	DDF			
		1	Z		ECB	DDF			
26									WASHER, Reverse Lever
	05205609	1	Y		ECB	DDF			
		1	Z		ECB	DDF			
27									LEVER, Reverse

AR = use ase required - = Non illustrated part

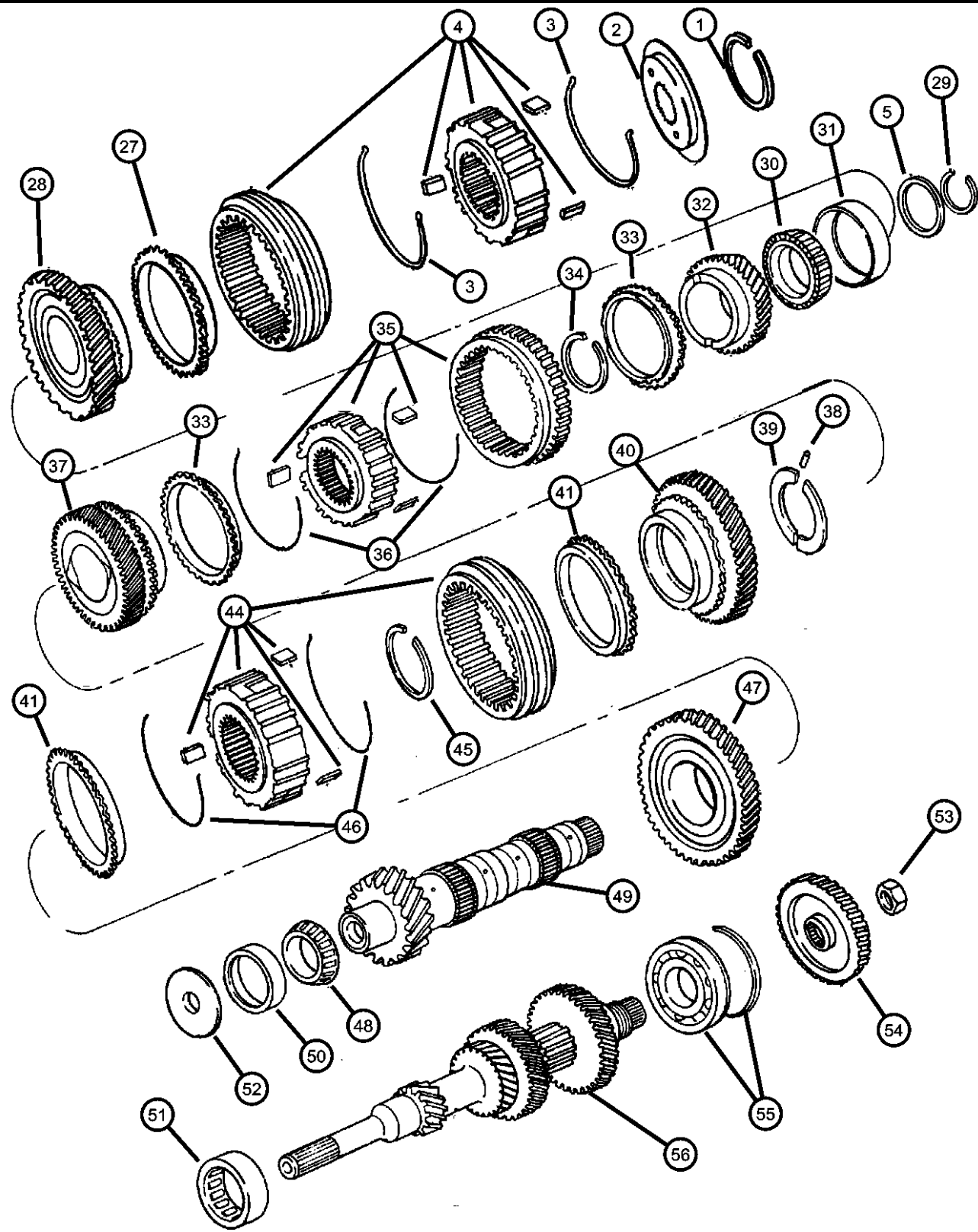
Case and Related Parts
Figure A558-210



ITEM	PART NUMBER	QTY	LINE	SERIES	BODY	ENGINE	TRANS	TRIM	DESCRIPTION
	04856859	1	Y			ECB	DDF		
		1	Z			ECB	DDF		
28	04856268	1	Y			ECB	DDF		SILENCER, Reverse Idler
		1	Z			ECB	DDF		
29	04856267	1	Y			ECB	DDF		GEAR, Reverse Idler
		1	Z			ECB	DDF		
30	04531543	1	Y			ECB	DDF		SHAFT, Idler
		1	Z			ECB	DDF		
31	06101491	1	Y			ECB	DDF		PIN, Roll M4x22
		1	Z			ECB	DDF		M4x22
32	05205625	1	Y			ECB	DDF		PIN, Reverse
		1	Z			ECB	DDF		
33	06500511	9	C, U						SCREW, Flange Head, M8x1.25x33
34	04797329	1	Y			ECB	DDF		SEAL, Input
		1	Z			ECB	DDF		
35	04797327	1	Y			ECB	DDF		RETAINER, Transmission Input Shaft
		1	Z			ECB	DDF		
36	06500318	3	Y			ECB	DDF		BOLT
		3	Z			ECB	DDF		
37	04612371	1	Y			ECB	DDF		BRACKET, Transaxle
		1	Z			ECB	DDF		
38	05222757	1	Y			ECB	DDF		DOWEL, Bearing Retainer
		1	Z			ECB	DDF		

AR = use ase required - = Non illustrated part

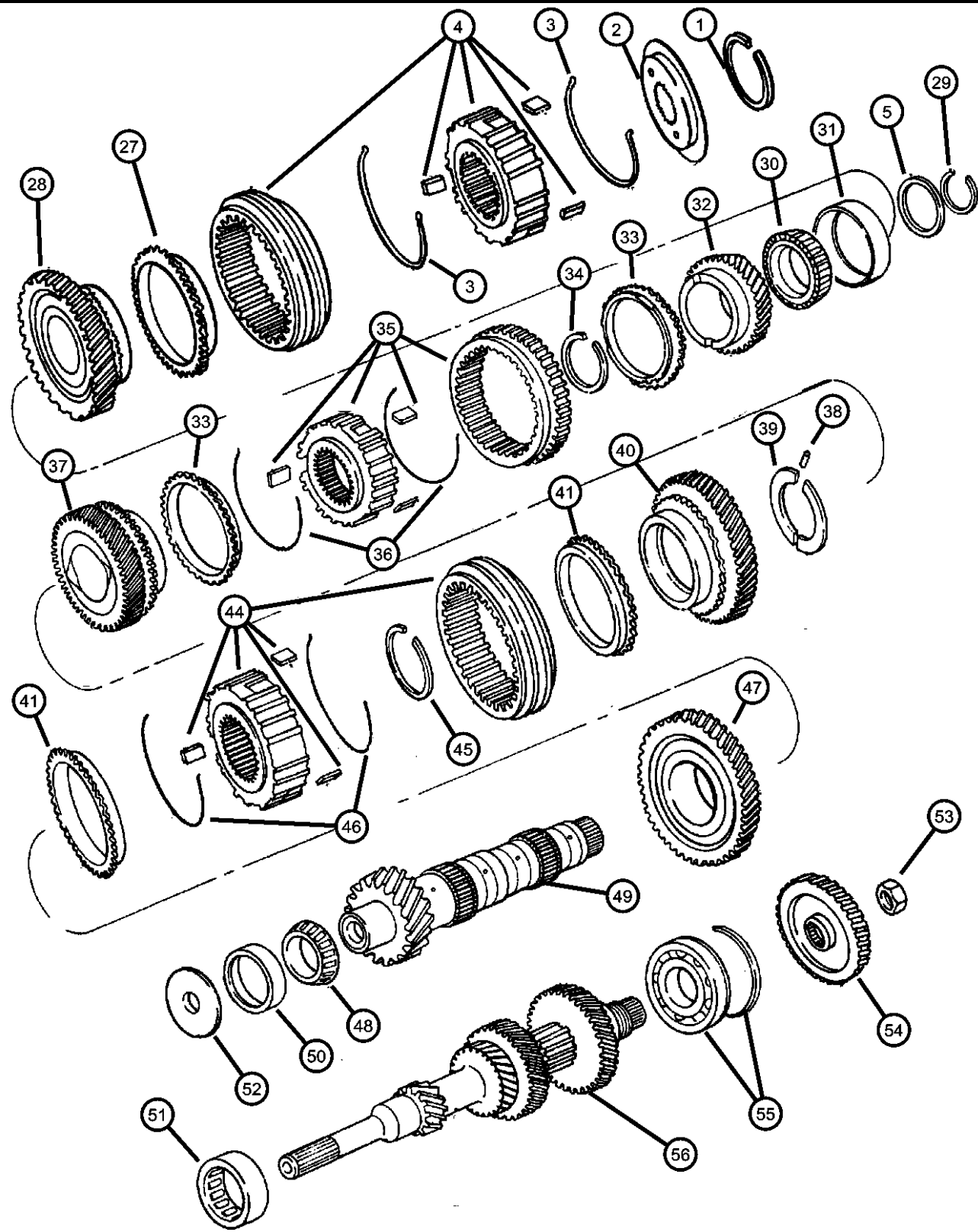
Gear Train
Figure A558-410



ITEM	PART NUMBER	QTY	LINE	SERIES	BODY	ENGINE	TRANS	TRIM	DESCRIPTION
									NOTE: Sales Codes: ECB=2.0L 4Cyl. SOHC 16V ENC=2.5L 4Cyl. Turbo Diesel EDZ=2.4L 4Cyl. DOHC 16V DDF=5 Speed Manual Transmission DD3=5 Speed Manual Transmission
1									SNAP RING
	06500980	1	Y			ECB	DDF		
		1	Z			ECB	DDF		
2									PLATE, Transmission Stopper
	04856883	1	Y			ECB	DDF		Fifth Speed
		1	Z			ECB	DDF		Fifth Speed
3									SPRING, 3rd And 4th Synchronizer
	04856881	2	Y			ECB	DDF		Fifth Speed
		2	Z			ECB	DDF		Fifth Speed
4									SYNCHRONIZER, Fifth
	04856278	1	Y			ECB	DDF		
		1	Z			ECB	DDF		
5									SHIM, Intermediate Shaft, .5642
	04882952	1	Y			ECB	DDF		
		1	Z			ECB	DDF		
-6									SHIM, Intermediate Shaft, .6042
	04882953	1	Y			ECB	DDF		
		1	Z			ECB	DDF		
-7									SHIM, Intermediate Shaft, .6442
	04882954	1	Y			ECB	DDF		
		1	Z			ECB	DDF		
-8									SHIM, Intermediate Shaft, .6842
	04882955	1	Y			ECB	DDF		
		1	Z			ECB	DDF		
-9									SHIM, Intermediate Shaft, .7242
	04882956	1	Y			ECB	DDF		
		1	Z			ECB	DDF		
-10									SHIM, Intermediate Shaft, .7642
	04882957	1	Y			ECB	DDF		
		1	Z			ECB	DDF		
-11									SHIM, Intermediate Shaft, .8042
	04882958	1	Y			ECB	DDF		
		1	Z			ECB	DDF		
-12									SHIM, Intermediate Shaft, .8442
	04882959	1	Y			ECB	DDF		
		1	Z			ECB	DDF		

AR = use ase required - = Non illustrated part

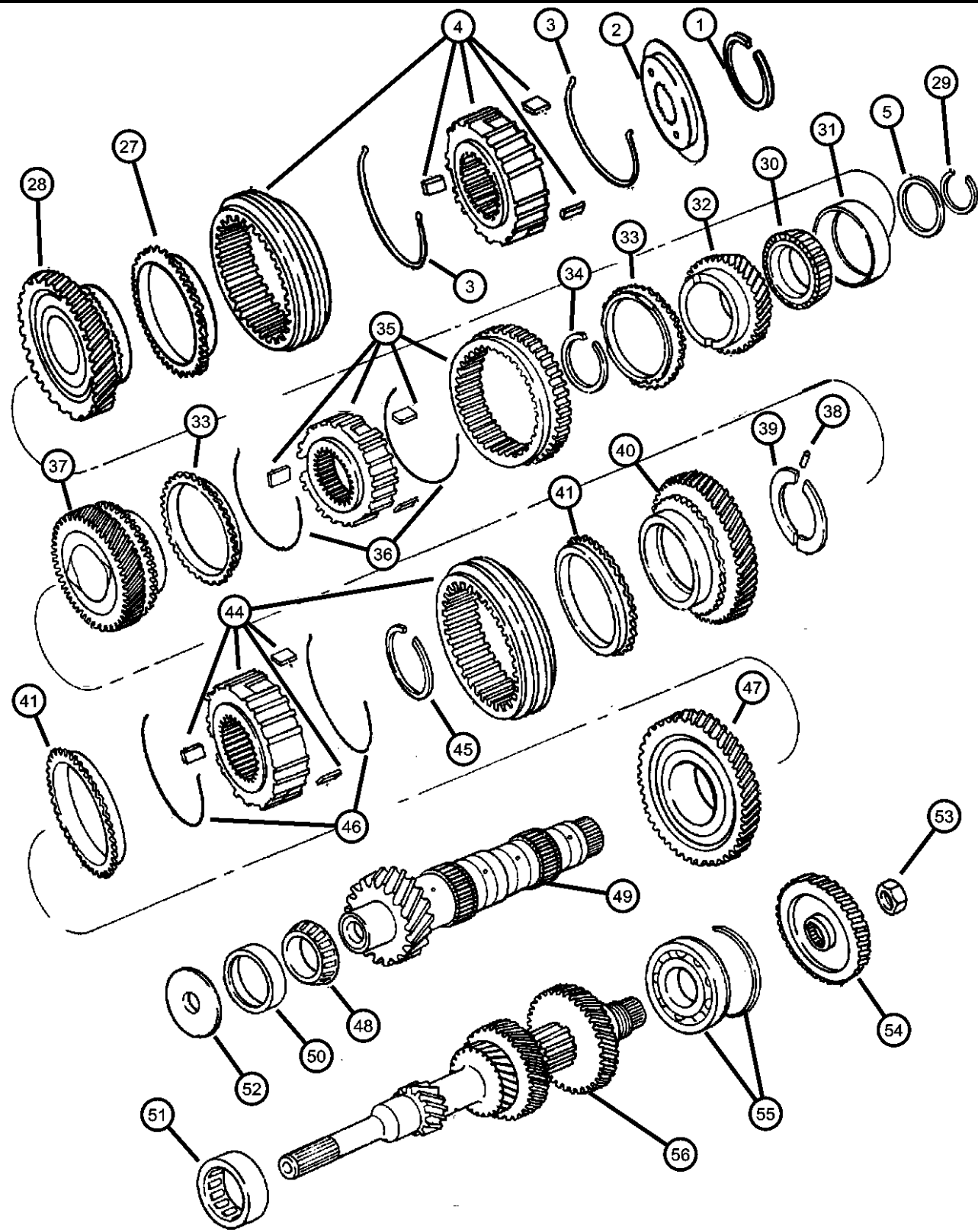
Gear Train
Figure A558-410



ITEM	PART NUMBER	QTY	LINE	SERIES	BODY	ENGINE	TRANS	TRIM	DESCRIPTION
-13									SHIM, Intermediate Shaft, .9242
	04882960	1	Y			ECB	DDF		.8842 Thick
		1	Z			ECB	DDF		.8842 Thick
-14									SHIM, Intermediate Shaft, .9242
	04882961	1	Y			ECB	DDF		
		1	Z			ECB	DDF		
-15									SHIM, Intermediate Shaft, .9642
	04882962	1	Y			ECB	DDF		
		1	Z			ECB	DDF		
-16									SHIM, Intermediate Shaft, 1.0042
	04882963	1	Y			ECB	DDF		
		1	Z			ECB	DDF		
-17									SHIM, Intermediate Shaft, 1.0442
	04882964	1	Y			ECB	DDF		
		1	Z			ECB	DDF		
-18									SHIM, Intermediate Shaft, 1.0842
	04882967	1	Y			ECB	DDF		
		1	Z			ECB	DDF		
-19									SHIM, Intermediate Shaft, 1.1242
	04882968	1	Y			ECB	DDF		
		1	Z			ECB	DDF		
-20									SHIM, Intermediate Shaft, 1.1642
	04882969	1	Y			ECB	DDF		
		1	Z			ECB	DDF		
-21									SHIM, Intermediate Shaft, 1.2042
	04882970	1	Y			ECB	DDF		
		1	Z			ECB	DDF		
-22									SHIM, Intermediate Shaft, 1.2442
	04882971	1	Y			ECB	DDF		
		1	Z			ECB	DDF		
-23									SHIM, Intermediate Shaft, 1.2842
	04882972	1	Y			ECB	DDF		
		1	Z			ECB	DDF		
-24									SHIM, Intermediate Shaft, 1.3242
	04882973	1	Y			ECB	DDF		
		1	Z			ECB	DDF		
-25									SHIM, Intermediate Shaft, 1.3642
	04882974	1	Y			ECB	DDF		
		1	Z			ECB	DDF		
-26									SHIM, Intermediate Shaft, 1.4042

AR = use ase required - = Non illustrated part

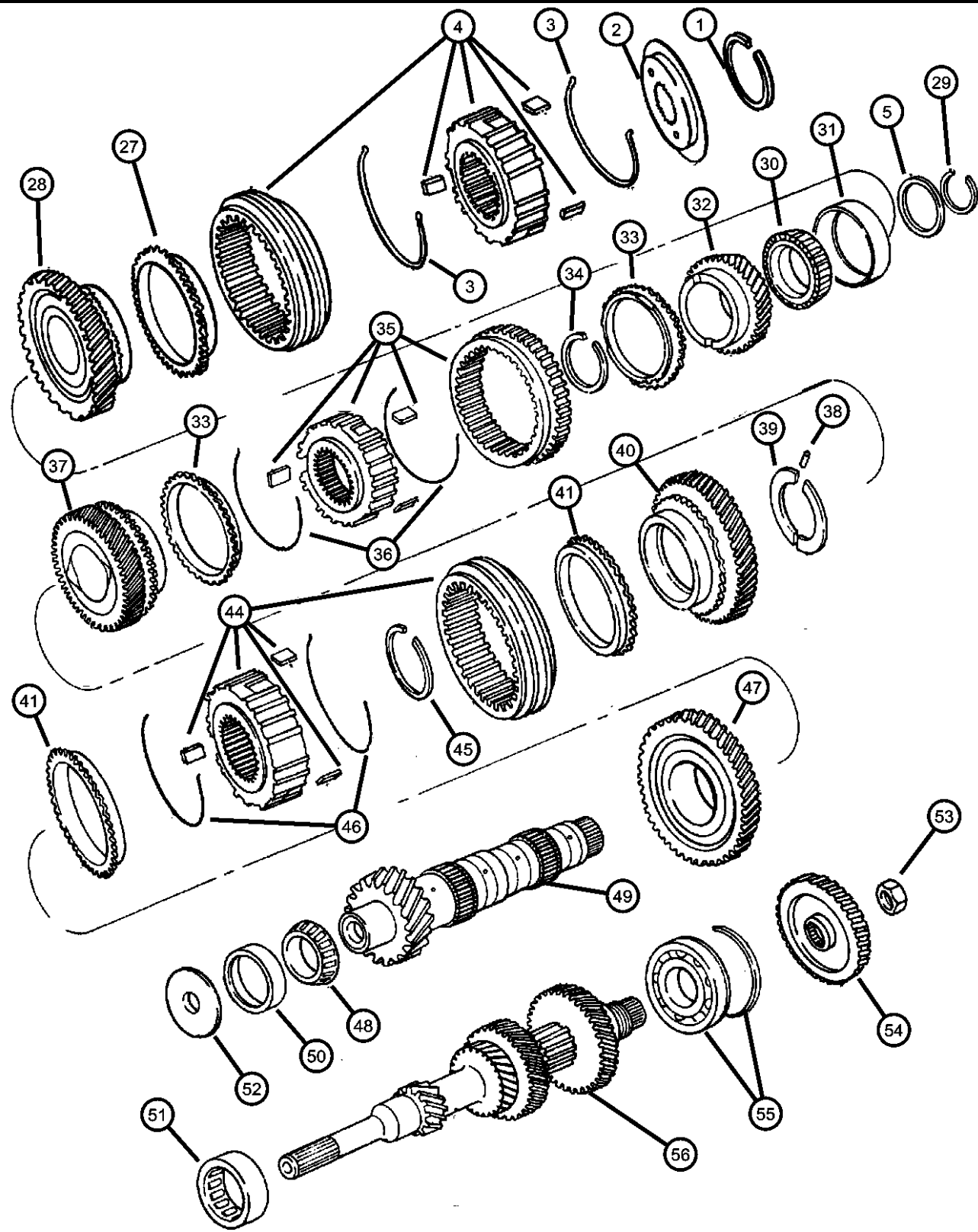
**Gear Train
Figure A558-410**



ITEM	PART NUMBER	QTY	LINE	SERIES	BODY	ENGINE	TRANS	TRIM	DESCRIPTION
	04882975	1	Y			ECB	DDF		
		1	Z			ECB	DDF		
27	04797348	1	Y			ECB			RING, Third and Fourth, Snap Fifth Speed
		1	Z			ECB			Fifth Speed
28	04883215	1	Y			ECB	DDF		GEAR, Fifth
		1	Z			ECB	DDF		
29	06500315	1	Y			ECB	DDF		SNAP RING, M27.40
		1	Z			ECB	DDF		
30	04797355	1	Y			ECB	DDF		BEARING CONE, Intermediate Shaft Rear
		1	Z			ECB	DDF		Rear
31	04856271	1	Y			ECB	DDF		RACE, Intermediate Shaft Bearing, Rear
		1	Z			ECB	DDF		Bearing, Rear
32	04883208	1	Y			ECB	DDF		GEAR, Fourth
		1	Z			ECB	DDF		
33	04797348	1	Y			ECB			RING, Third and Fourth, Snap
		2	Z			ECB	DDF		
34	06500316	1	Y			ECB	DDF		SNAP RING
		1	Z			ECB	DDF		
35	04797349	1	Y			ECB	DDF		SYNCHRONIZER, Third and Fourth
		1	Z			ECB	DDF		
36	04883206	2	Y			ECB	DDF		SPRING, 3rd And 4th Synchronizer
		2	Z			ECB	DDF		
37	04883203	1	Y			ECB	DDF		GEAR, Third
		1	Z			ECB	DDF		
38	06032705	1	Y			ECB	DDF		PIN, Split Thrust Washer
		1	Z			ECB	DDF		
39									WASHER PACKAGE, Thrust

AR = use ase required - = Non illustrated part

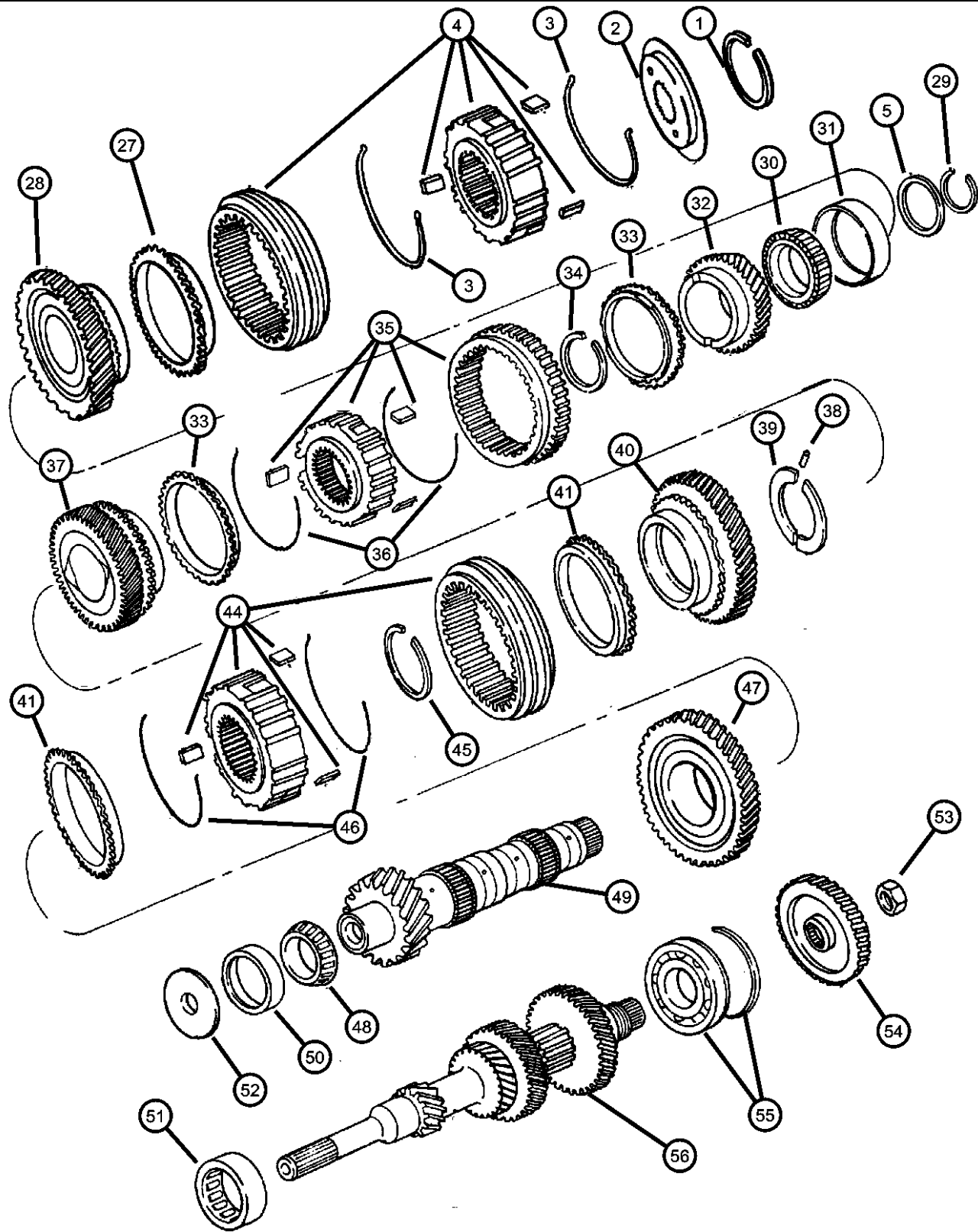
Gear Train
Figure A558-410



ITEM	PART NUMBER	QTY	LINE	SERIES	BODY	ENGINE	TRANS	TRIM	DESCRIPTION
	04504577	1	Y			ECB	DDF		
		1	Z			ECB	DDF		
40									GEAR, Second
	04883201	1	Y			ECB	DDF		
		1	Z			ECB	DDF		
41									CONE ASSEMBLY, Synchronizer
	04412027	2	Y			ECB	DDF		Outer
		2	Z			ECB	DDF		Outer
-42									SYNCHRONIZER, First and Second
	04412029	2	Y			ECB	DDF		Cone, Inner
		2	Z			ECB	DDF		Cone, Inner
-43									RING, 1st and 2nd Speed Blocker
	04797339	2	Y			ECB	DDF		
		2	Z			ECB	DDF		
44									SYNCHRONIZER, First and Second
	04797340	1	Y			ECB	DDF		
		1	Z			ECB	DDF		
45									SNAP RING
	06501726	1	Y			ECB	DDF		First and Second Speed Gear, Inner
		1	Z			ECB	DDF		First and Second Speed Gear, Inner
46									SPRING, Synchronizer
	04883816AA	2	Y			ECB	DDF		
		2	Z			ECB	DDF		
47									GEAR, First
	04883199	1	Y			ECB	DDF		
		1	Z			ECB	DDF		
48									BEARING, Intermediate Shaft
	04797336	1	Y			ECB	DDF		Front
		1	Z			ECB	DDF		
49									SHAFT, Intermediate
	04883197	1	Y			ECB	DDF		
		1	Z			ECB	DDF		
50									RACE, Intermediate Shaft
	04797325	1	Y			ECB	DDF		
		1	Z			ECB	DDF		
51									BEARING, Input Shaft
	04761079	1	Y			ECB	DDF		Roller, Front
		1	Z			ECB	DDF		Roller, Front

AR = use ase required - = Non illustrated part

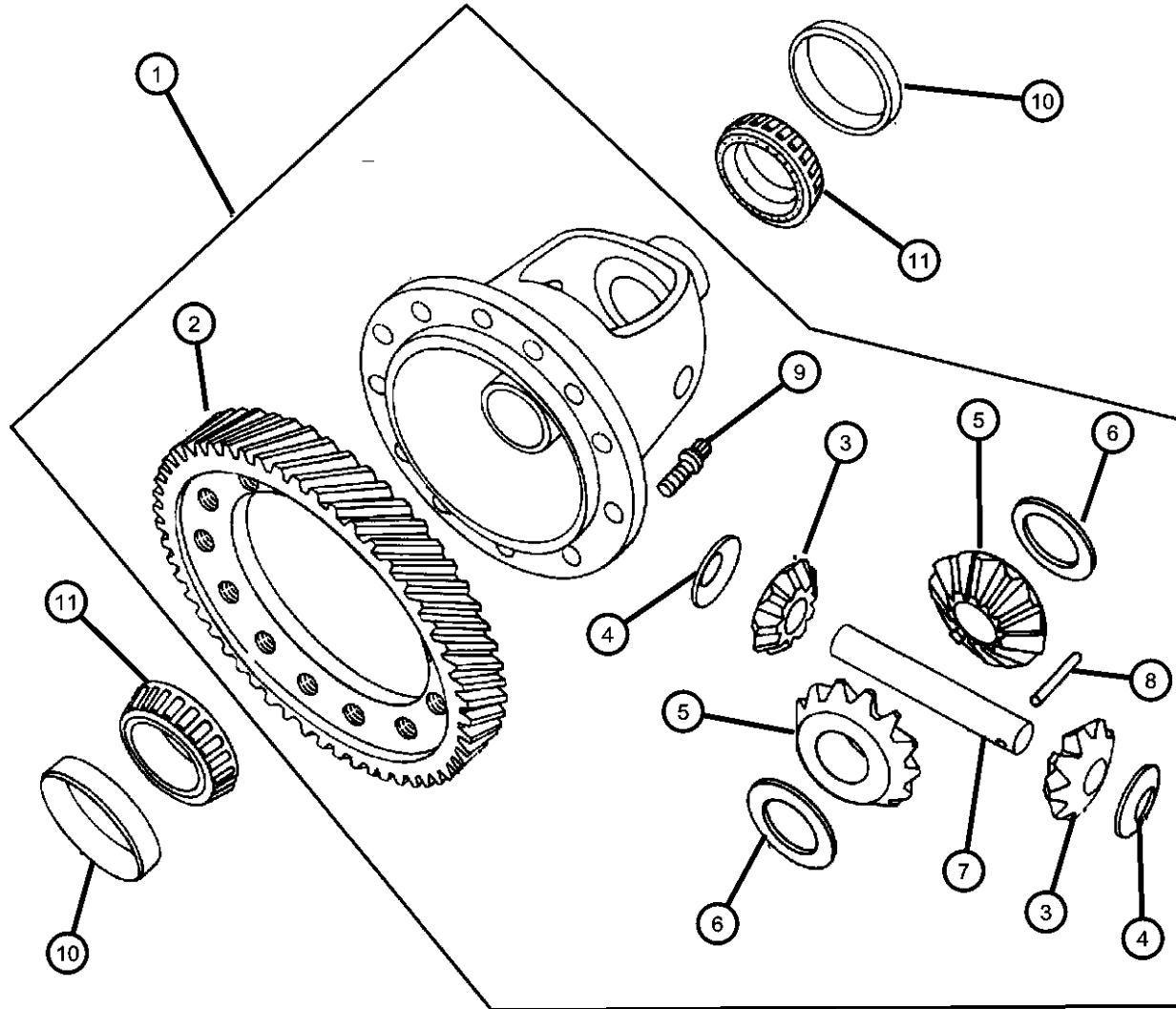
Gear Train
Figure A558-410



ITEM	PART NUMBER	QTY	LINE	SERIES	BODY	ENGINE	TRANS	TRIM	DESCRIPTION
52	04797324	1	Y			ECB	DDF		FEEDER, Transaxle Oil
		1	Z			ECB	DDF		
53	04797343	1	Y			ECB	DDF		NUT, Gear Retaining
		1	Z			ECB	DDF		
54	04883216	1	Y			ECB	DDF		GEAR, Fifth Input
		1	Z			ECB	DDF		
55	04797326	1	Y			ECB	DDF		BEARING, Input Shaft
		1	Z			ECB	DDF		
56	04883211	1	Y			ECB	DDF		SHAFT, Input
		1	Z			ECB	DDF		

AR = use ase required - = Non illustrated part

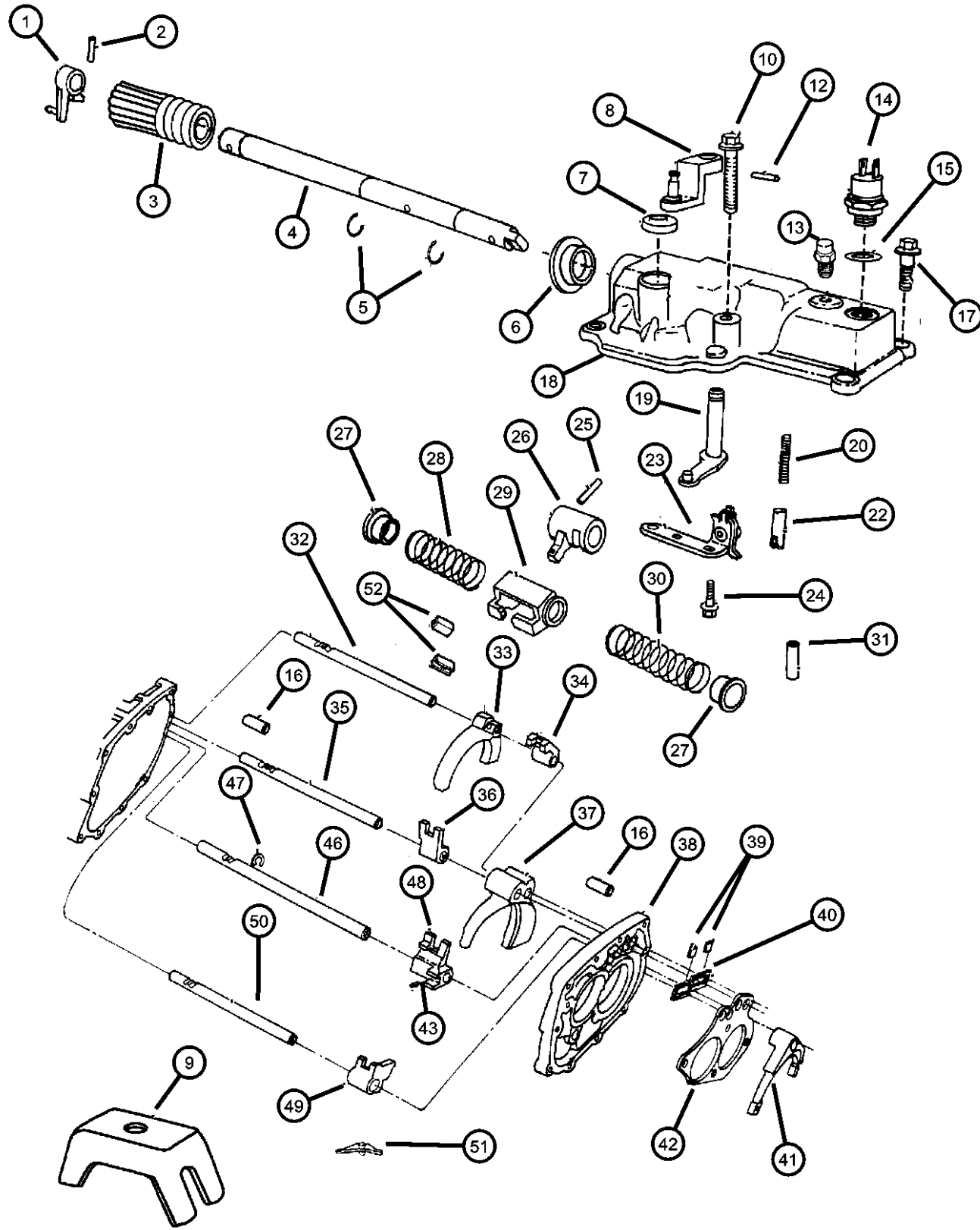
**Differential
Figure A558-810**



ITEM	PART NUMBER	QTY	LINE	SERIES	BODY	ENGINE	TRANS	TRIM	DESCRIPTION
NOTE: Sales Codes: ECB=2.0L 4Cyl. SOHC 16V ENC=2.5L 4Cyl. Turbo Diesel EDZ=2.4L 4Cyl. DOHC 16V DDF=5 Speed Manual Transmission DD3=5 Speed Manual Transmission									
1	04883192	1	Y			ECB	DDF		DIFFERENTIAL, Transaxle
		1	Z			ECB	DDF		
2	04883193	1	Y			ECB	DDF		GEAR, Differential Drive
		1	Z			ECB	DDF		
3	04348679	2	C						PINION, Differential
		1	Y			ECB	DDF		
		1	Z			ECB	DDF		
4	04137024	2	Y			ECB	DDF		WASHER, Pinion Thrust
		2	Z			ECB	DDF		
5	04659502	2	Y			ECB	DDF		GEAR, Differential Side
		2	Z			ECB	DDF		
6	04504568	1	Y			ECB	DDF		WASHER PACKAGE, Side Gear Thrust
		1	Z			ECB	DDF		
7	04659142	1	Y			ECB	DDF		SHAFT, Pinion Gear
		1	Z			ECB	DDF		
8	06503827	1	Y			ECB	DDF		PIN, Pinion Shaft
		1	Z			ECB	DDF		
9	04761105	12	Y			ECB	DDF		BOLT, Differential Ring Gear
		12	Z			ECB	DDF		
10	04797333	1	Y			ECB	DDF		CUP, Differential Bearing
		1	Z			ECB	DDF		
11	04797330	2	Y			ECB	DDF		BEARING CONE, Differential
		2	Z			ECB	DDF		

AR = use ase required - = Non illustrated part

Fork and Rail
Figure A558-910



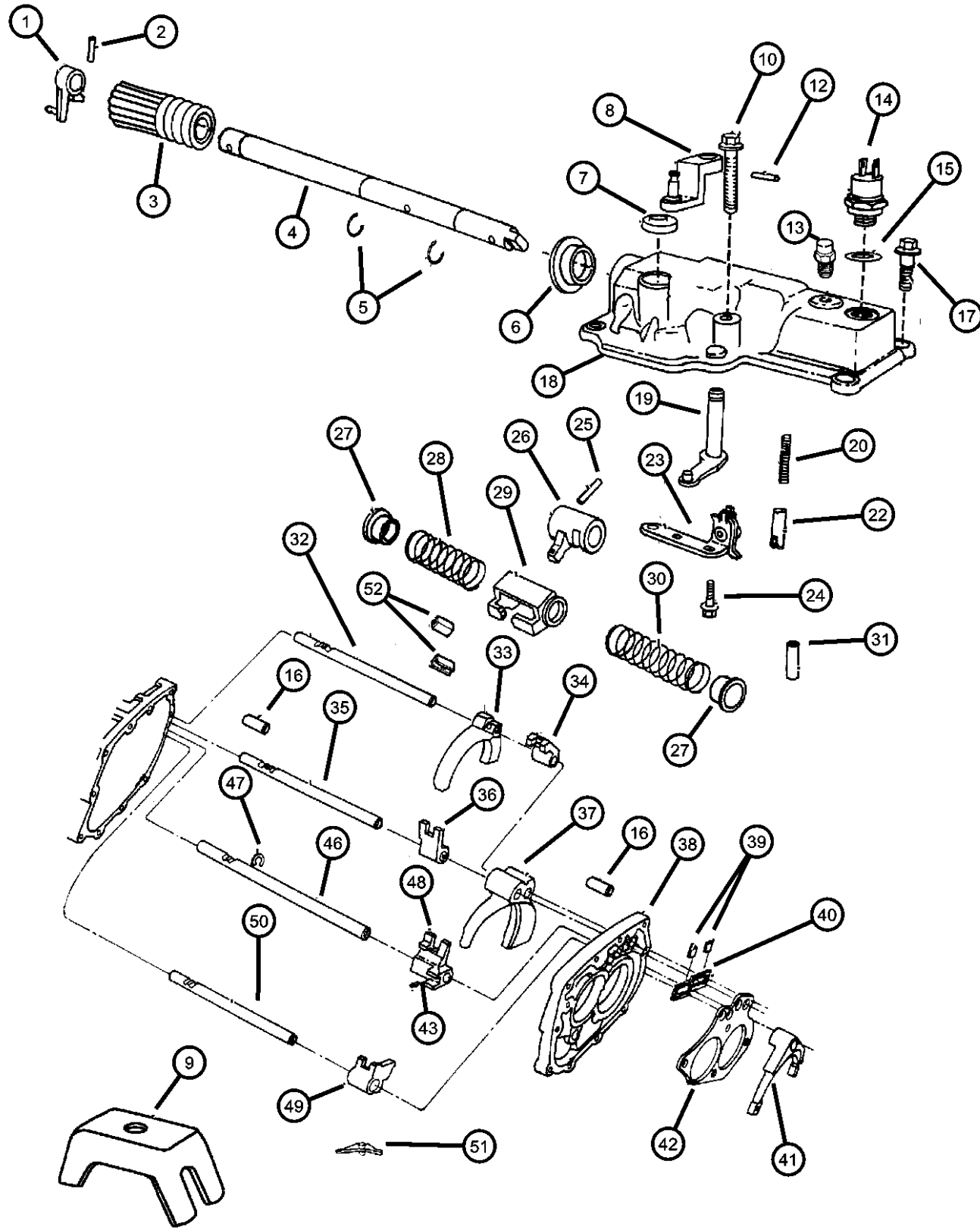
ITEM	PART NUMBER	QTY	LINE	SERIES	BODY	ENGINE	TRANS	TRIM	DESCRIPTION
------	-------------	-----	------	--------	------	--------	-------	------	-------------

NOTE:
Sales Codes:
ECB=2.0L 4Cyl. SOHC 16V
ENC=2.5L 4Cyl. Turbo Diesel
EDZ=2.4L 4Cyl. DOHC 16V
DDF=5 Speed Manual Transmission
DD3=5 Speed Manual Transmission

1	04856285	1	Y			ECB	DDF		LEVER, Select
		1	Z			ECB	DDF		
2	06101492	1	Y			ECB	DDF		ROLL PIN, Select Lever Shaft, M6x28
		1	Z			ECB	DDF		
3	04856850	1	Y			ECB	DDF		SEAL, Boot Shaft Housing
		1	Z			ECB	DDF		
4	04856885	1	Y			ECB	DDF		SHAFT, Selector
		1	Z			ECB	DDF		
5	06501468	2	Y			ECB	DDF		SNAP RING
		2	Z			ECB	DDF		
6	04856279	1	Y			ECB	DDF		SEAL, Gearshift Lever
		1	Z			ECB	DDF		
7	04856282	1	Y			ECB	DDF		SEAL, Crossover Shaft
		1	Z			ECB	DDF		
8	04431854	1	Y			ECB	DDF		LEVER, Crossover
		1	Z			ECB	DDF		
9	04856884	1	Y			ECB	DDF		BAFFLE, Sump
		1	Z			ECB	DDF		
10	06500318	4	Y			ECB			BOLT M8x1.25x25
		4	Z			ECB			
-11	06501370	2	Y			ECB	DDF		BOLT, Socket Hex Flange Head, M8x1.25x45.00
		2	Z			ECB	DDF		M8x1.25x45
12	06101491	1	Y			ECB	DDF		PIN, Roll M4x22

AR = use ase required - = Non illustrated part

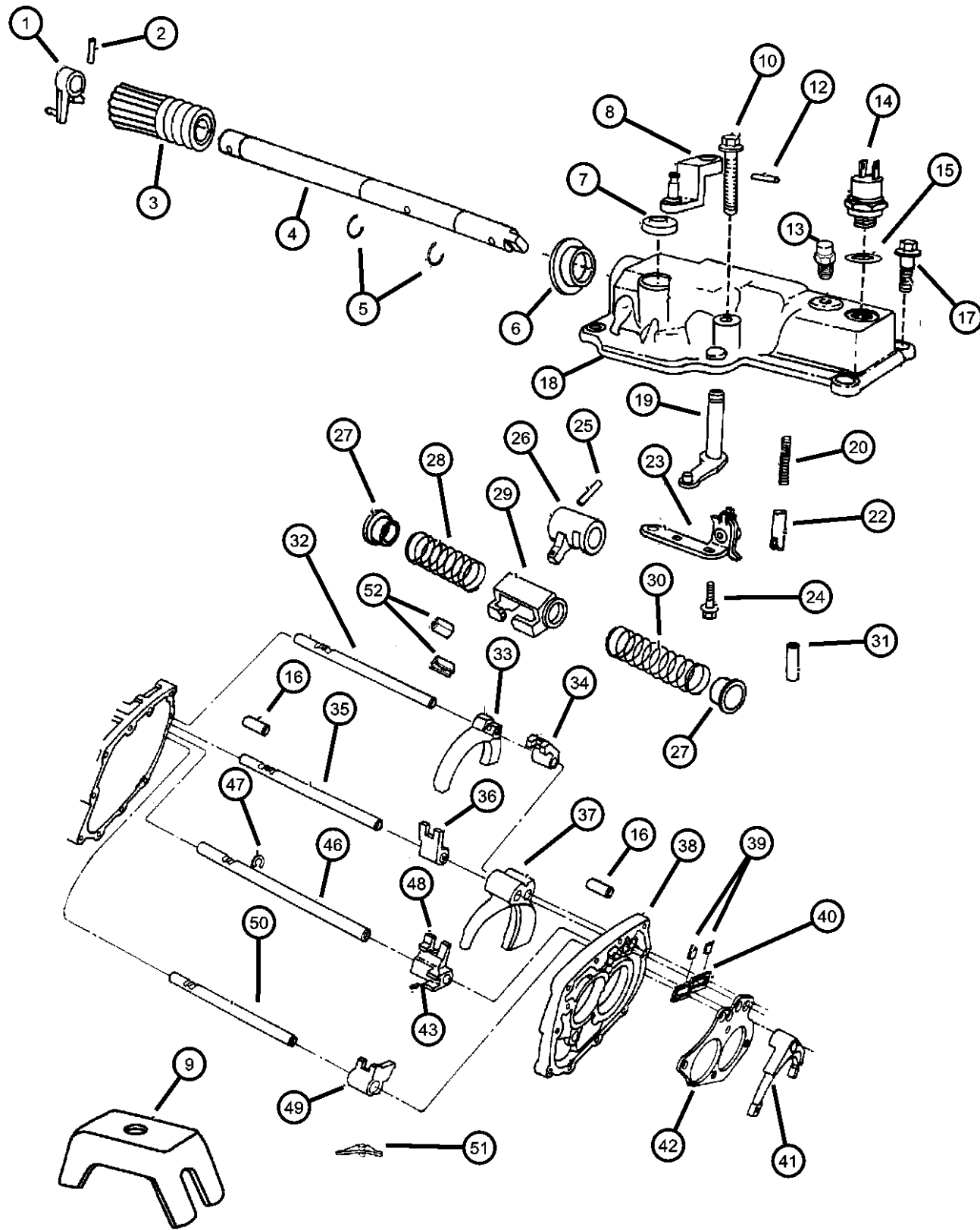
Fork and Rail
Figure A558-910



ITEM	PART NUMBER	QTY	LINE	SERIES	BODY	ENGINE	TRANS	TRIM	DESCRIPTION
		1	Z			ECB	DDF		M4x22
13	04723880	1	Y			ECB	DDF		VENT, Transmission
14	04373814	1	Y			ECB	DDF		SWITCH, Back Up Lamp
		1	Z			ECB	DDF		
15	01302807	1	Y			ECB	DDF		GASKET, Back Up Lamp Switch
		1	Z			ECB	DDF		
16	04762605	4	Y			ECB	DDF		BUSHING, Shift Rail
		4	Z			ECB	DDF		
17	06502049	2	Y			ECB	DDF		SCREW, Shoulder Hex Flange Head, M8x1.25x30.00
		2	Z			ECB	DDF		M8x1.25x30
18	04723881	1	Y			ECB	DDF		HOUSING, Shift
		1	Z			ECB	DDF		
19	04543751	1	Y			ECB	DDF		SHAFT, Crossover
		1	Z			ECB	DDF		
20	04471097	3	Y			ECB	DDF		SPRING, Detent
		3	Z			ECB	DDF		1,2,3,4,5 Detent
-21	04798391	1	Y			ECB	DDF		SPRING, Detent
		1	Z			ECB	DDF		Reverse
22	04531302	4	Y			ECB	DDF		DETENT, Roller End
		4	Z			ECB	DDF		
23	04431028	1	Y			ECB	DDF		PLATE, Transmission Shifter
		1	Z			ECB	DDF		
24	06500417	2	Y			ECB	DDF		BOLT, Hex Head, M6x1.0x22
		2	Z			ECB	DDF		
25	06101492	1	Y			ECB	DDF		ROLL PIN, Select Lever Shaft, M6x28
		1	Z			ECB	DDF		
26									SELECTOR, Gearshift

AR = use ase required - = Non illustrated part

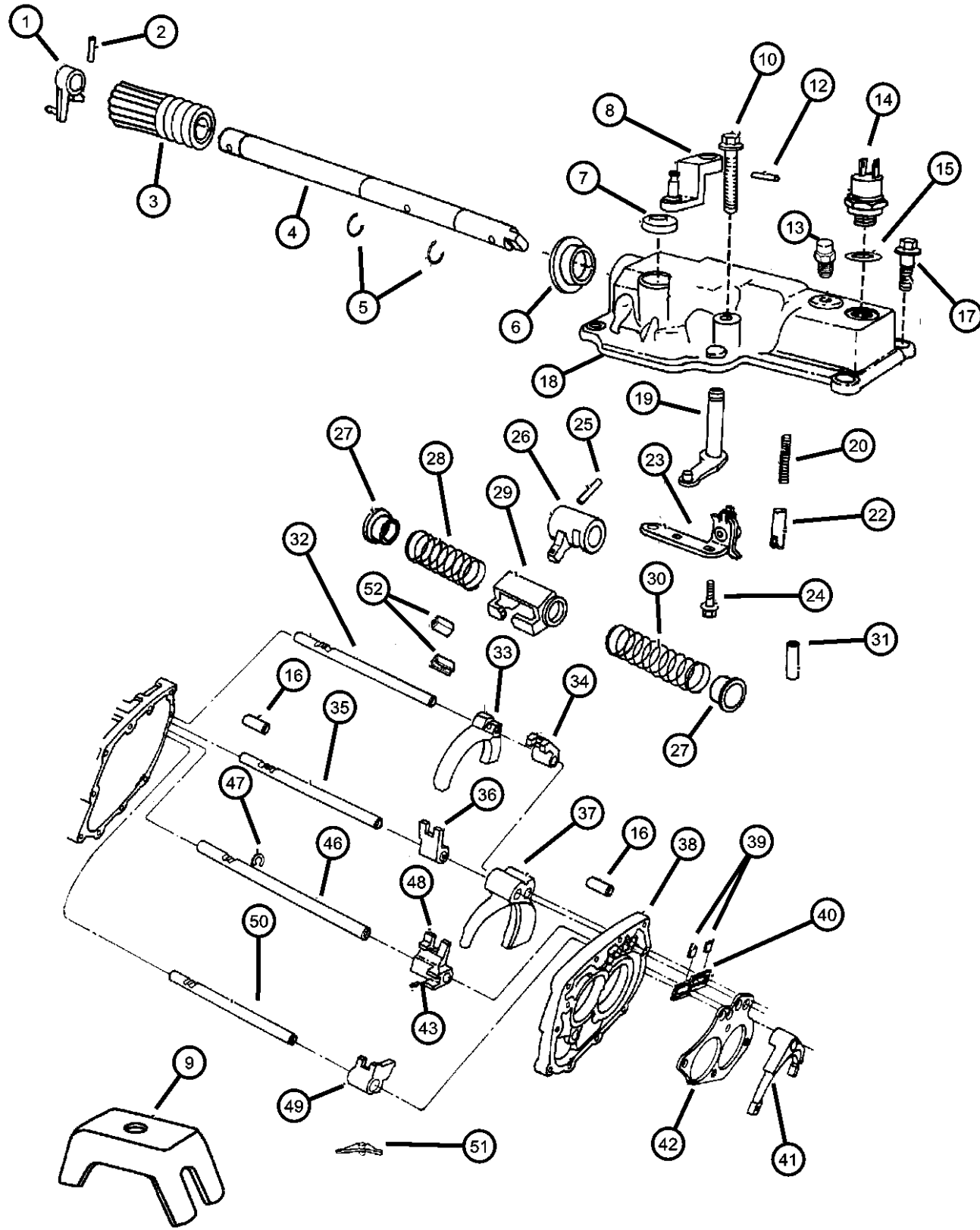
Fork and Rail
Figure A558-910



ITEM	PART NUMBER	QTY	LINE	SERIES	BODY	ENGINE	TRANS	TRIM	DESCRIPTION
	04531886	1	Y			ECB	DDF		
		1	Z			ECB	DDF		
27	04856281	1	Y			ECB	DDF		SLEEVE, Selector Shaft
		1	Z			ECB	DDF		
28	04883218	2	Y			ECB	DDF		SPRING
		2	Z			ECB	DDF		
29	04883217	1	Y			ECB	DDF		INHIBITOR, Reverse
		1	Z			ECB	DDF		
30	04883218	2	Y			ECB	DDF		SPRING Fifth and Reverse Shift
		2	Z			ECB	DDF		Fifth and Reverse Shift
31	04505690	1	Y			ECB	DDF		BUSHING, Detent
		1	Z			ECB	DDF		
32	04431033	1	Y			ECB	DDF		RAIL, First and Second Shift
		1	Z			ECB	DDF		
33	04797358	1	Y			ECB	DDF		FORK, First and Second
		1	Z			ECB	DDF		
34	04531875	1	Y			ECB	DDF		LUG, First and Second Gear
		1	Z			ECB	DDF		
35	04856882	1	Y			ECB	DDF		RAIL, Third and Fourth Shift
		1	Z			ECB	DDF		
36	04471091	1	Y			ECB	DDF		LUG, Third and Fourth Gear
		1	Z			ECB	DDF		
37	04797361	1	Y			ECB	DDF		FORK, Third and Fourth
		1	Z			ECB	DDF		
38	04856269	1	Y			ECB	DDF		PLATE, Bearing Support
		1	Z			ECB	DDF		
39	04471015	2	Y			ECB	DDF		SHUTTLES, Interlock

AR = use ase required - = Non illustrated part

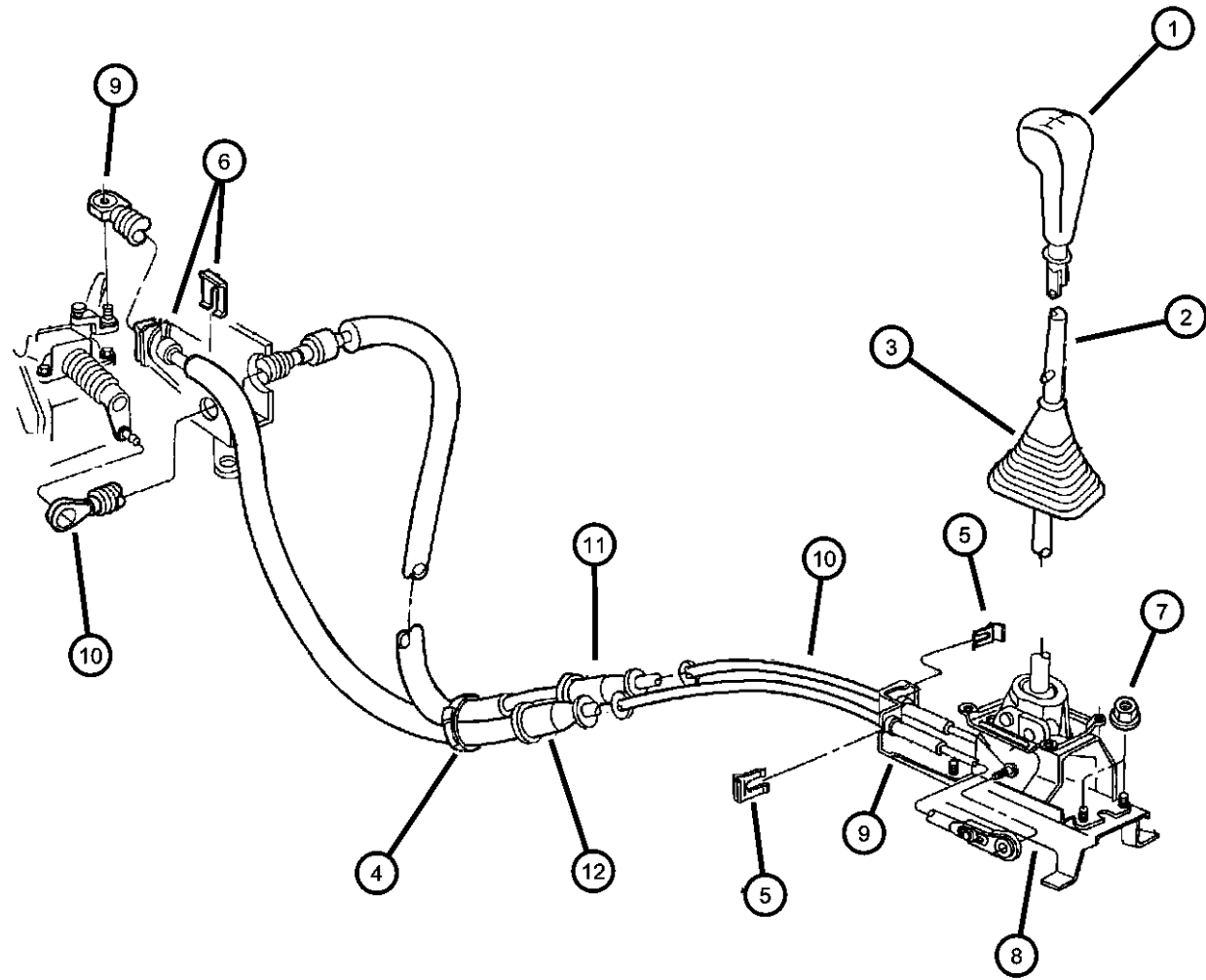
Fork and Rail
Figure A558-910



ITEM	PART NUMBER	QTY	LINE	SERIES	BODY	ENGINE	TRANS	TRIM	DESCRIPTION
40		2	Z			ECB	DDF		PLATE, Transmission Module
	04471014	1	Y			ECB	DDF		
		1	Z			ECB	DDF		
41		1	Y			ECB	DDF		FORK, Fifth
	04797363	1	Y			ECB	DDF		
		1	Z			ECB	DDF		
42		1	Y			ECB	DDF		PLATE, Bearing Backup
	04856273	1	Y			ECB	DDF		
		1	Z			ECB	DDF		
43		1	Y			ECB	DDF		PIN, Fifth\Reverse Interlock
	04471094	1	Y			ECB	DDF		
		1	Z			ECB	DDF		
-44		1	Y			ECB	DDF		PIN, Shift Shaft
	04728192	1	Y			ECB	DDF		1,2 Shift Rail
		1	Z			ECB	DDF		
-45		2	Y			ECB	DDF		PIN
	06101475	2	Y			ECB	DDF		
		2	Z			ECB	DDF		
46		1	Y			ECB	DDF		RAIL, Fifth Shift
	04531820	1	Y			ECB	DDF		
		1	Z			ECB	DDF		
47		1	Y			ECB	DDF		SNAP RING
	06501862	1	Y			ECB	DDF		
		1	Z			ECB	DDF		
48		1	Y			ECB	DDF		LUG, Fifth and Reverse Gear
	04531888	1	Y			ECB	DDF		
		1	Z			ECB	DDF		
49		1	Y			ECB	DDF		LUG, Reverse
	04471093	1	Y			ECB	DDF		
		1	Z			ECB	DDF		
50		1	Y			ECB	DDF		RAIL, Reverse Shift
	04856266	1	Y			ECB	DDF		
		1	Z			ECB	DDF		
51		1	Y			ECB	DDF		ARM, Reverse Pivot
	04505347	1	Y			ECB	DDF		
		1	Z			ECB	DDF		
52		2	Y			ECB	DDF		PAD, Shift Fork
	04797359	2	Y			ECB	DDF		
		2	Z			ECB	DDF		

AR = use ase required - = Non illustrated part

Controls, Gearshift
Figure A558-1210



ITEM	PART NUMBER	QTY	LINE	SERIES	BODY	ENGINE	TRANS	TRIM	DESCRIPTION
NOTE: Sales Codes: ECB=2.0L 4Cyl. SOHC 16V ENC=2.5L 4Cyl. Turbo Diesel EDZ=2.4L 4Cyl. DOHC 16V DDF=5 Speed Manual Transmission DD3=5 Speed Manual Transmission									
1	04446987	1					DD3, DDF		KNOB, Gearshift
2									PIN, Spring, M4.4x20
	06502386	1	Y				DD3, DDF		
		1	Z				DDF		
3									SEAL, Boot Shaft Housing
	04856850	1	Y			ECB	DDF		
		1	Z			ECB	DDF		
4	04641780	1							STRAP, Tie
5	06501326	2					DD3, DDF		CLIP, Moulding, Cable Holding
6	04796316	1							CLIP, Cable
7	04682810	4				ECB, ED0			NUT, Hex Flange, M8x1.25
8									SHIFTER, Transmission
	04641669	1	Y				DD3, DDF		Left Hand Drive
	04641792AB	1	Z				DDF		Right Hand Drive
9	04641764	1					DD3, DDF		CABLE, Gearshift Crossover
10	04641765	1					DD3, DDF		CABLE, Gearshift Control
11	04446980	1					DD3, DDF		GROMMET, Selector Cable, Gray
12	04446981	1					DD3, DDF		GROMMET, Cable, Crossover, Black

AR = use ase required - = Non illustrated part

Group - A598

Manual Transaxle 5 Speed

Group - A598 Manual Transaxle 5 Speed

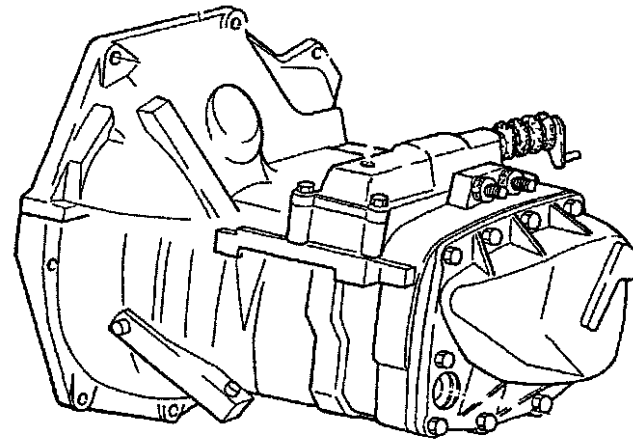


Illustration Title

Group-Fig. No.

Transaxle Assembly

Transaxle Assemblies, And Mounting Fig. A598 - 110

Case and Extension

Case, Transaxle And Related Parts Fig. A598 - 210

Gear Train

Gear Train Fig. A598 - 410

Differential

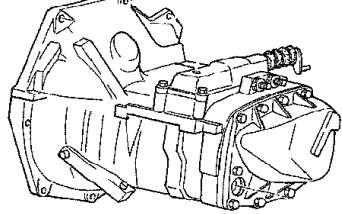
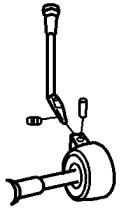

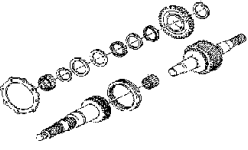
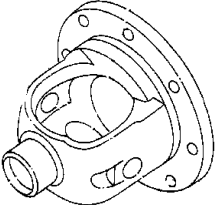
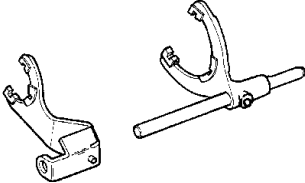
Differential Fig. A598 - 810

Fork and Rails

Fork and Rail Fig. A598 - 910

Gearshift Controls

Controls, Gearshift Fig. A598 - 1210

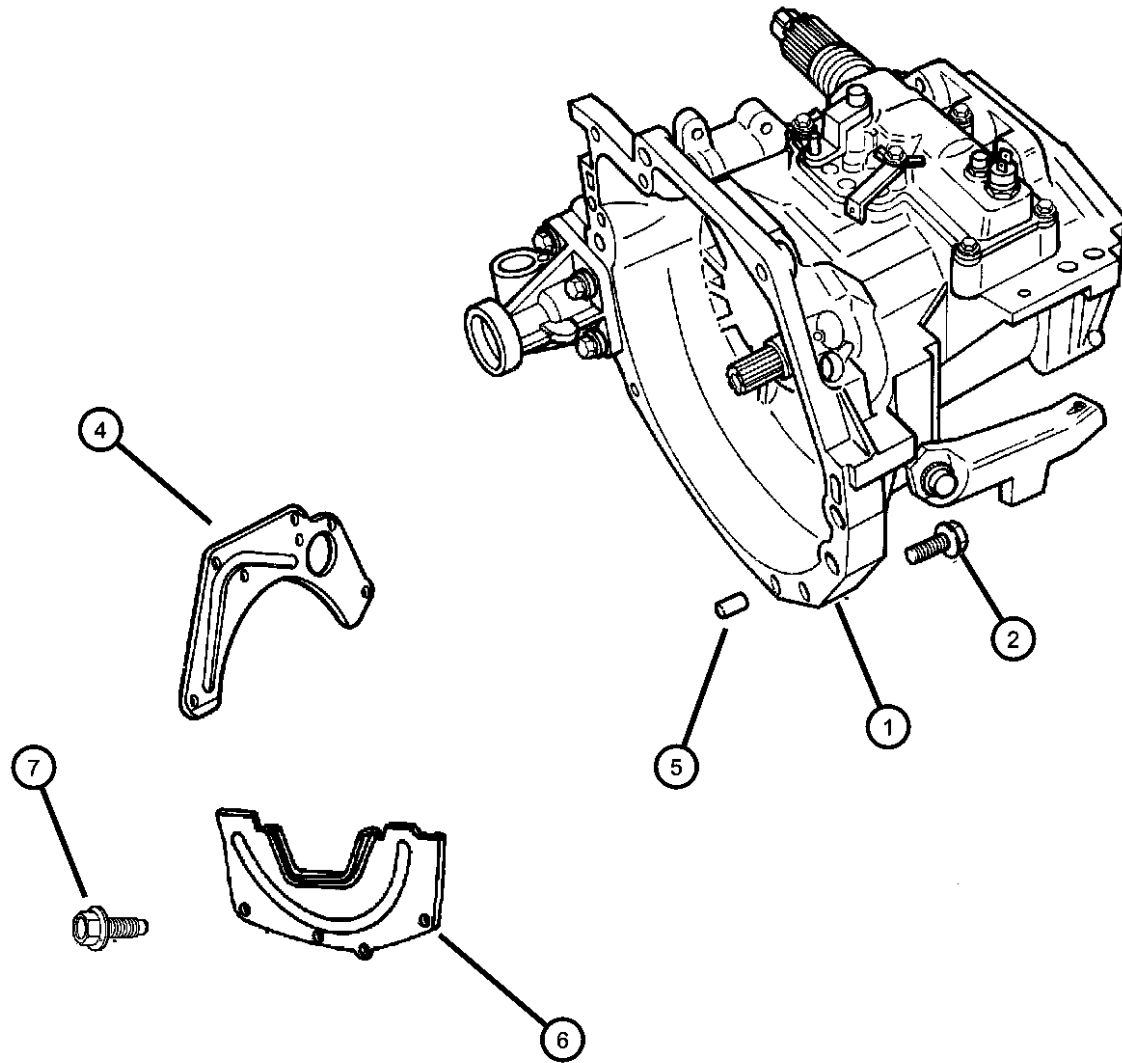
<p>A598-100 Transaxle Assembly</p> 	<p>A598-1200 Gearshift Controls</p> 	<p>A598-200 Case and Extension</p> 	<p>A598-400 Gear Train</p> 
<p>A598-800 Differential</p> 	<p>A598-900 Fork and Rails</p> 		

**Transaxle Assemblies, And Mounting
Figure A598-110**

ITEM	PART NUMBER	QTY	LINE	SERIES	BODY	ENGINE	TRANS	TRIM	DESCRIPTION
------	-------------	-----	------	--------	------	--------	-------	------	-------------

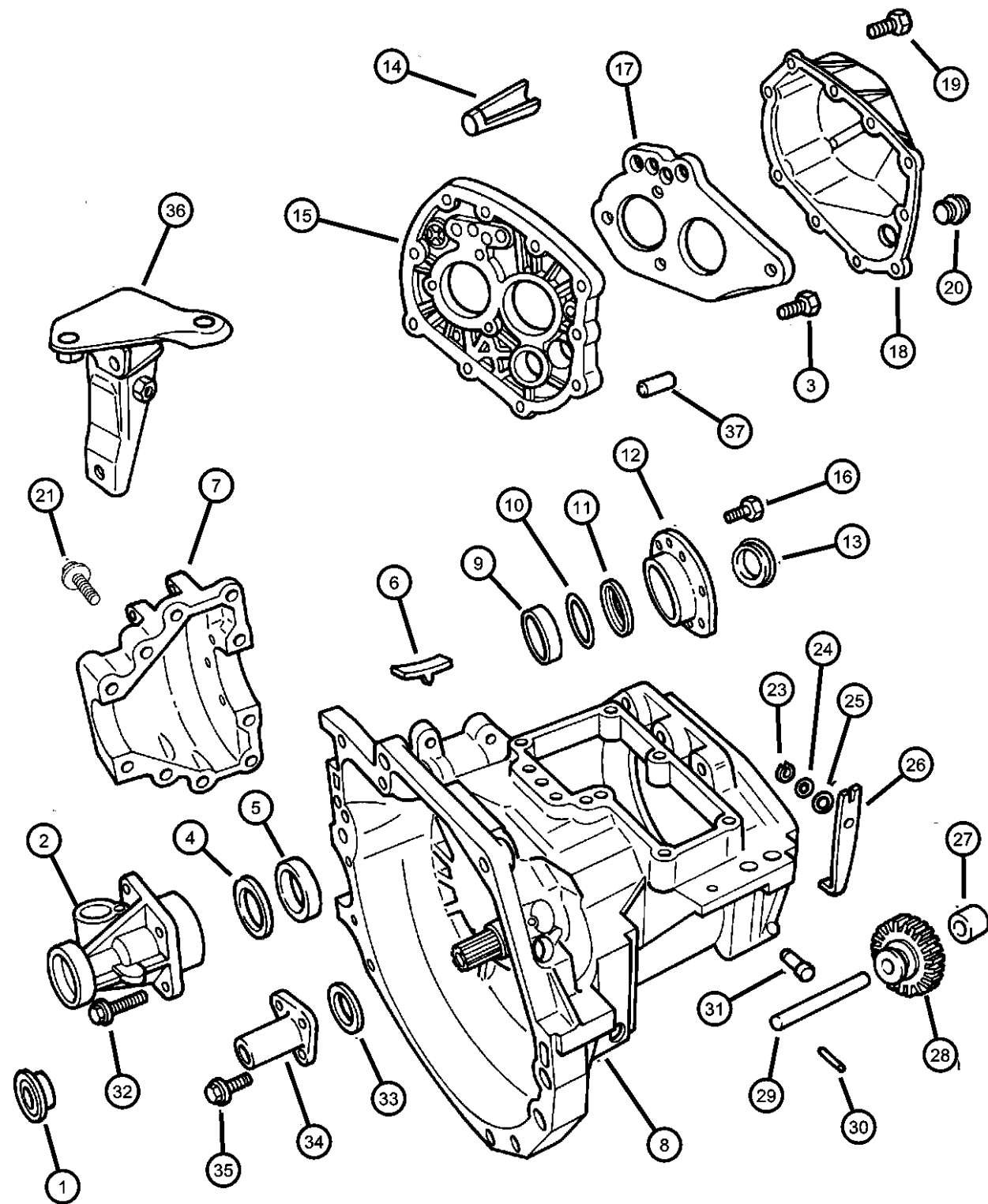
NOTE:
Sales Codes:
ECB=2.0L 4Cyl. SOHC 16V
ENC=2.5L 4Cyl. Turbo Diesel
EDZ=2.4L 4Cyl. DOHC 16V
DDF=5 Speed Manual Transmission
DD3=5 Speed Manual Transmission

1	04641750	1				EDZ, ENC	DD3		TRANSAXLE, With 2.4L Gas, 2.5L Turbo Diesel Engine, 2.70 Overall Gear Ratio
2	06500585	4				ENC			SCREW AND WASHER, Hex Head Locking, M12x1.75x59.20, M12x1.75x35
-3	06501164	3					DD3, DDF		SCREW, Hex Head, M12x1.75x50
4	04641557	1				ECB, EDZ			COVER, Transaxle Rear, Chain / Gear
5	05240849	2				EDZ	DD3		DOWEL, Block To Clutch Housing
6	04641558	1				ECB, EDZ			COVER, Transaxle Rear, Chain / Gear
7	06500136	1				ECB, EDZ			SCREW AND WASHER, Hex Head, M6x1x14, Case Cover, M6x1.0x14



AR = use ase required - = Non illustrated part

Case, Transaxle And Related Parts
Figure A598-210

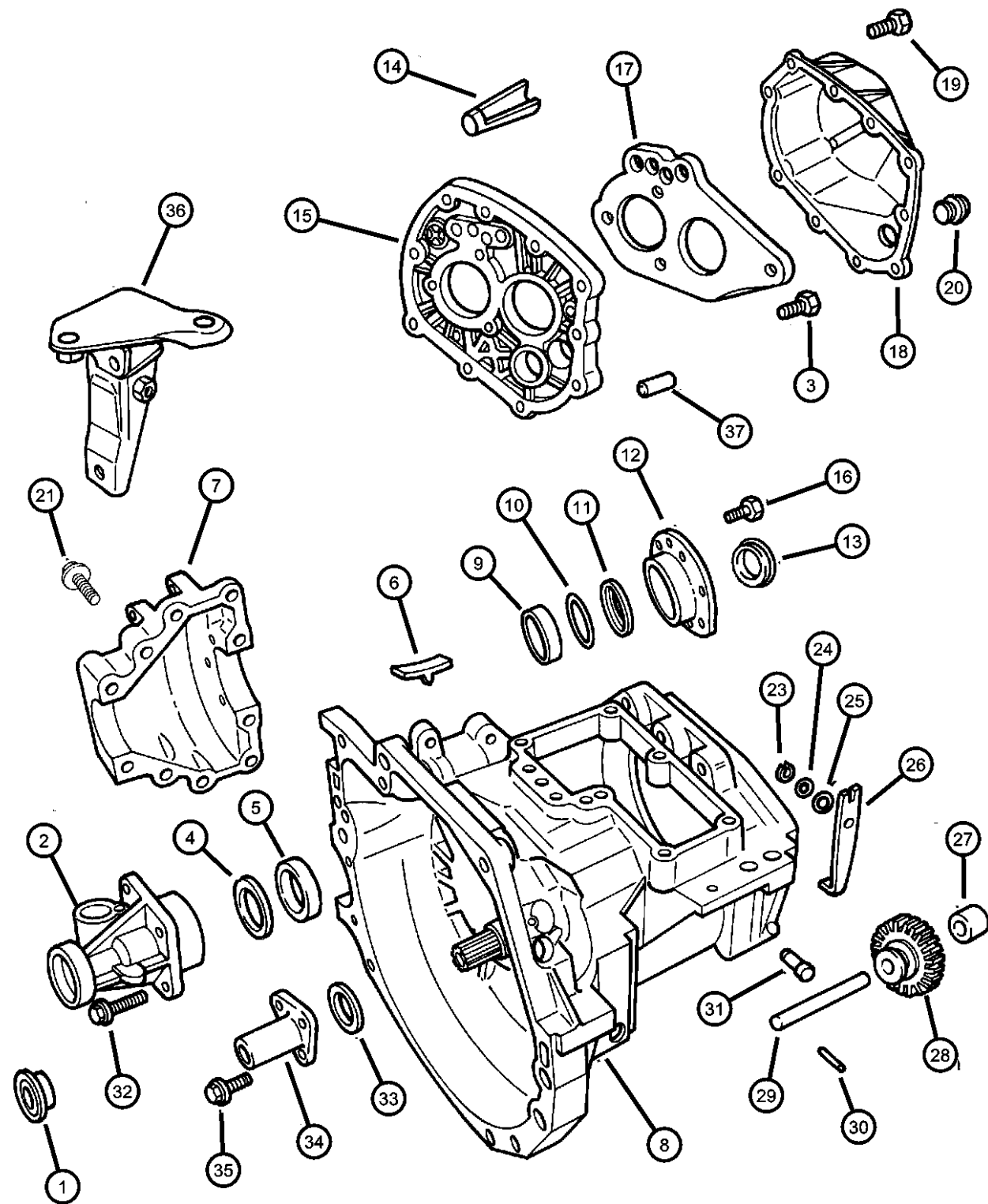


NOTE:
Sales Codes:
ECB=2.0L 4Cyl. SOHC 16V
ENC=2.5L 4Cyl. Turbo Diesel
EDZ=2.4L 4Cyl. DOHC 16V
DDF=5 Speed Manual Transmission
DD3=5 Speed Manual Transmission

ITEM	PART NUMBER	QTY	LINE	SERIES	BODY	ENGINE	TRANS	TRIM	DESCRIPTION
1	04797334	1				ENC	DD3		SEAL, Differential Bearing
2	04856877	1				ENC	DD3		EXTENSION, Transaxle
3	06500318	4				ENC	DD3		BOLT
4	04567494	1				ENC	DD3		RETAINER, Transmission Extension Oil
5	04797333	1				ENC	DD3		CUP, Differential Bearing
6	04761078	1				ENC	DD3		MAGNET, Transmission
7	04761078	1							PAN, Transaxle Differential Oil, (Serviced in case with Differential Pan), (NOT SERVICED)
8	04761078	1							CASE, Transaxle, (Serviced in Transaxle Assembly), (NOT SERVICED)
9	04797333	1				ENC	DD3		CUP, Differential Bearing
10	04567494	1				ENC	DD3		RETAINER, Transmission Extension Oil
11	05222256	1				ENC	DD3		RETAINER, Differential
12	04856879	1				ENC	DD3		RETAINER, Differential Bearing
13	04797334	1				ENC	DD3		SEAL, Differential Bearing
14	04856270	1				ENC	DD3		SLINGER, Oil
15	04856269	1				ENC	DD3		PLATE, Bearing Support
16	06501371	6				ENC	DD3		BOLT, Retainer
17	04856273	1				ENC	DD3		PLATE, Bearing Backup
18	04797350	1				ENC	DD3		COVER, Transaxle Rear
19	04856847	10				ENC	DD3		BOLT, Adjusting, M8x1.25x50.00
20	04348325	1					DD3, DDF		PLUG, Oil Fill
21	06501401	2				ENC	DD3		SCREW, Flange Head, M10x1.5x40
-22	06501400	4				ENC	DD3		SCREW, Flange Head, M10x1.5x65
23	06026125	1				ENC	DD3		CLIP, Retainer
24	00391888	1				ENC	DD3		WASHER, Wave, .359x.593x.010
25	05205609	1				ENC	DD3		WASHER, Reverse Lever
26	04856859	1				ENC	DD3		LEVER, Reverse
27	04856268	1				ENC	DD3		SILENCER, Reverse Idler
28	04856267	1				ENC	DD3		GEAR, Reverse Idler
29	04531543	1				ENC	DD3		SHAFT, Idler
30	06101491	1				ENC	DD3		PIN, Roll, M4x22
31	05205625	1				ENC	DD3		PIN, Reverse

AR = use ase required - = Non illustrated part

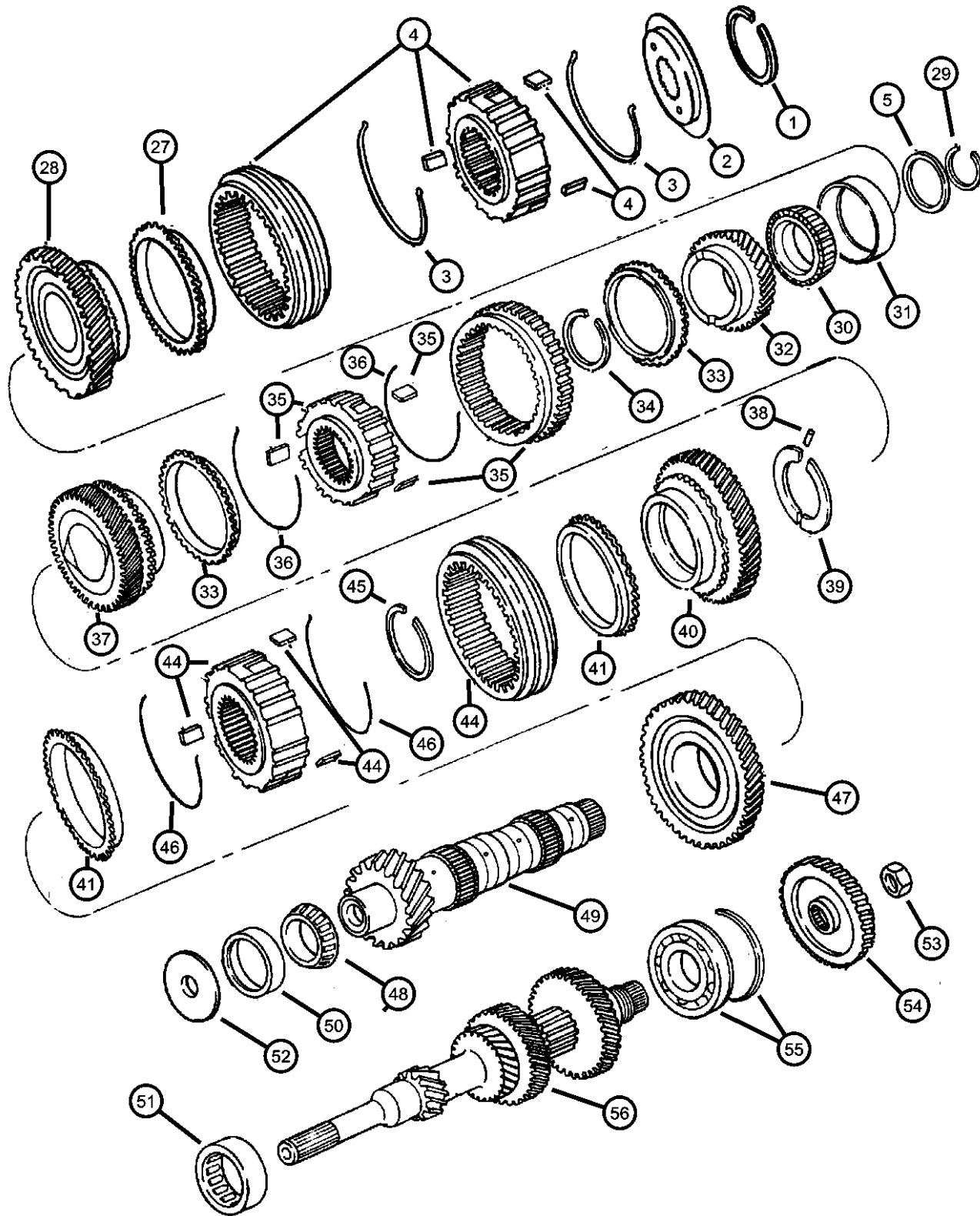
Case, Transaxle And Related Parts
Figure A598-210



ITEM	PART NUMBER	QTY	LINE	SERIES	BODY	ENGINE	TRANS	TRIM	DESCRIPTION
32	06500511	4				ENC	DD3		SCREW, Flange Head, M8x1.25x33
33	04797329	1				ENC	DD3		SEAL, Input
34	04797327	1				ENC	DD3		RETAINER, Transmission Input Shaft
35									BOLT
	04863806	1				ENC			
	06500318	3				ENC	DD3		M8x1.25x25
36	04612371	1				ENC	DD3		BRACKET, Transaxle
37	05222757	2				ENC	DD3		DOWEL, Bearing Retainer

AR = use ase required - = Non illustrated part

Gear Train
Figure A598-410



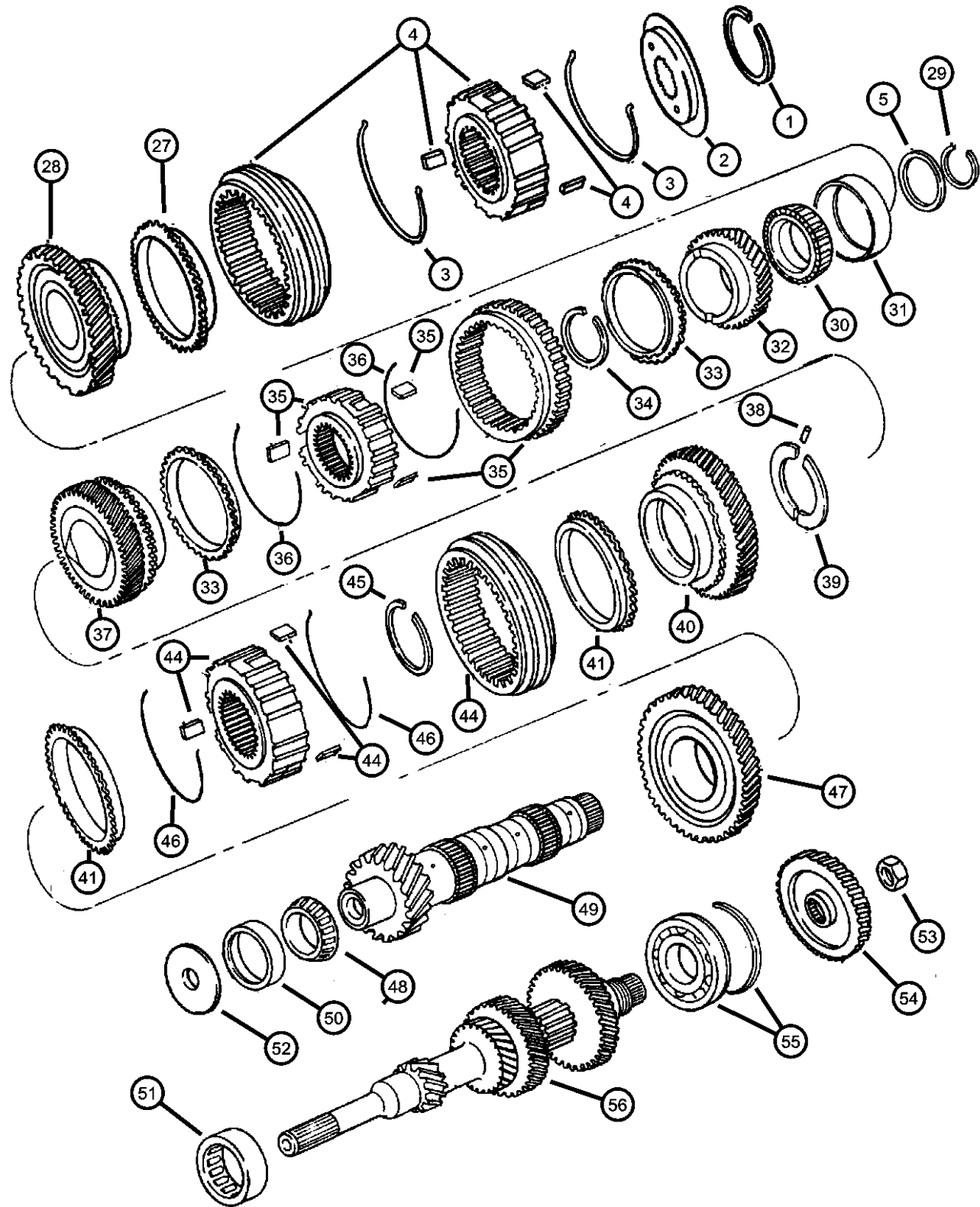
ITEM	PART NUMBER	QTY	LINE	SERIES	BODY	ENGINE	TRANS	TRIM	DESCRIPTION
------	-------------	-----	------	--------	------	--------	-------	------	-------------

NOTE:
Sales Codes:
ECB=2.0L 4Cyl. SOHC 16V
ENC=2.5L 4Cyl. Turbo Diesel
EDZ=2.4L 4Cyl. DOHC 16V
DDF=5 Speed Manual Transmission
DD3=5 Speed Manual Transmission

1	06500980	1				ENC	DD3		SNAP RING
2	04856883	1				ENC	DD3		PLATE, Transmission Stopper
3	04856881	2				EDZ, ENC	DD3		SPRING, 3rd And 4th Synchronizer
4	04856278	1				ENC	DD3		SYNCHRONIZER, Fifth
5	04882952	1				EDZ, ENC	DD3		SHIM, Intermediate Shaft, .5642
-6	04882953	1				EDZ, ENC	DD3		SHIM, Intermediate Shaft, .6042
-7	04882954	1				EDZ, ENC	DD3		SHIM, Intermediate Shaft, .6442
-8	04882955	1				EDZ, ENC	DD3		SHIM, Intermediate Shaft, .6842
-9	04882956	1				EDZ, ENC	DD3		SHIM, Intermediate Shaft, .7242
-10	04882957	1				EDZ, ENC	DD3		SHIM, Intermediate Shaft, .7642
-11	04882958	1				EDZ, ENC	DD3		SHIM, Intermediate Shaft, .8042
-12	04882959	1				EDZ, ENC	DD3		SHIM, Intermediate Shaft, .8442
-13	04882960	1				EDZ, ENC	DD3		SHIM, Intermediate Shaft, .9242, .8842 Thick
-14	04882961	1				EDZ, ENC	DD3		SHIM, Intermediate Shaft, .9242
-15	04882962	1				EDZ, ENC	DD3		SHIM, Intermediate Shaft, .9642
-16	04882963	1				EDZ, ENC	DD3		SHIM, Intermediate Shaft, 1.0042
-17	04882964	1				EDZ, ENC	DD3		SHIM, Intermediate Shaft, 1.0442
-18	04882967	1				EDZ, ENC	DD3		SHIM, Intermediate Shaft, 1.0842
-19	04882968	1				EDZ, ENC	DD3		SHIM, Intermediate Shaft, 1.1242
-20	04882969	1				EDZ, ENC	DD3		SHIM, Intermediate Shaft, 1.1642
-21	04882970	1				EDZ, ENC	DD3		SHIM, Intermediate Shaft, 1.2042
-22	04882971	1				EDZ, ENC	DD3		SHIM, Intermediate Shaft, 1.2442
-23	04882972	1				EDZ, ENC	DD3		SHIM, Intermediate Shaft, 1.2842
-24	04882973	1				EDZ, ENC	DD3		SHIM, Intermediate Shaft, 1.3242
-25	04882974	1				EDZ, ENC	DD3		SHIM, Intermediate Shaft, 1.3642
-26	04882975	1				EDZ, ENC	DD3		SHIM, Intermediate Shaft, 1.4042
27	04797348	1				ENC	DD3		RING, Third and Fourth, Snap
28	04883214	1				ENC	DD3		GEAR, Fifth
29	06500315	1				ENC	DD3		SNAP RING, M27.40
30	04797355	1				ENC	DD3		BEARING CONE, Intermediate Shaft
31	04856271	1				ENC	DD3		RACE, Intermediate Shaft
32	04883207	1				ENC	DD3		GEAR, Fourth
33	04797348	2				ENC	DD3		RING, Third and Fourth, Snap
34	06500316	1				ENC	DD3		SNAP RING

AR = use ase required - = Non illustrated part

Gear Train
Figure A598-410



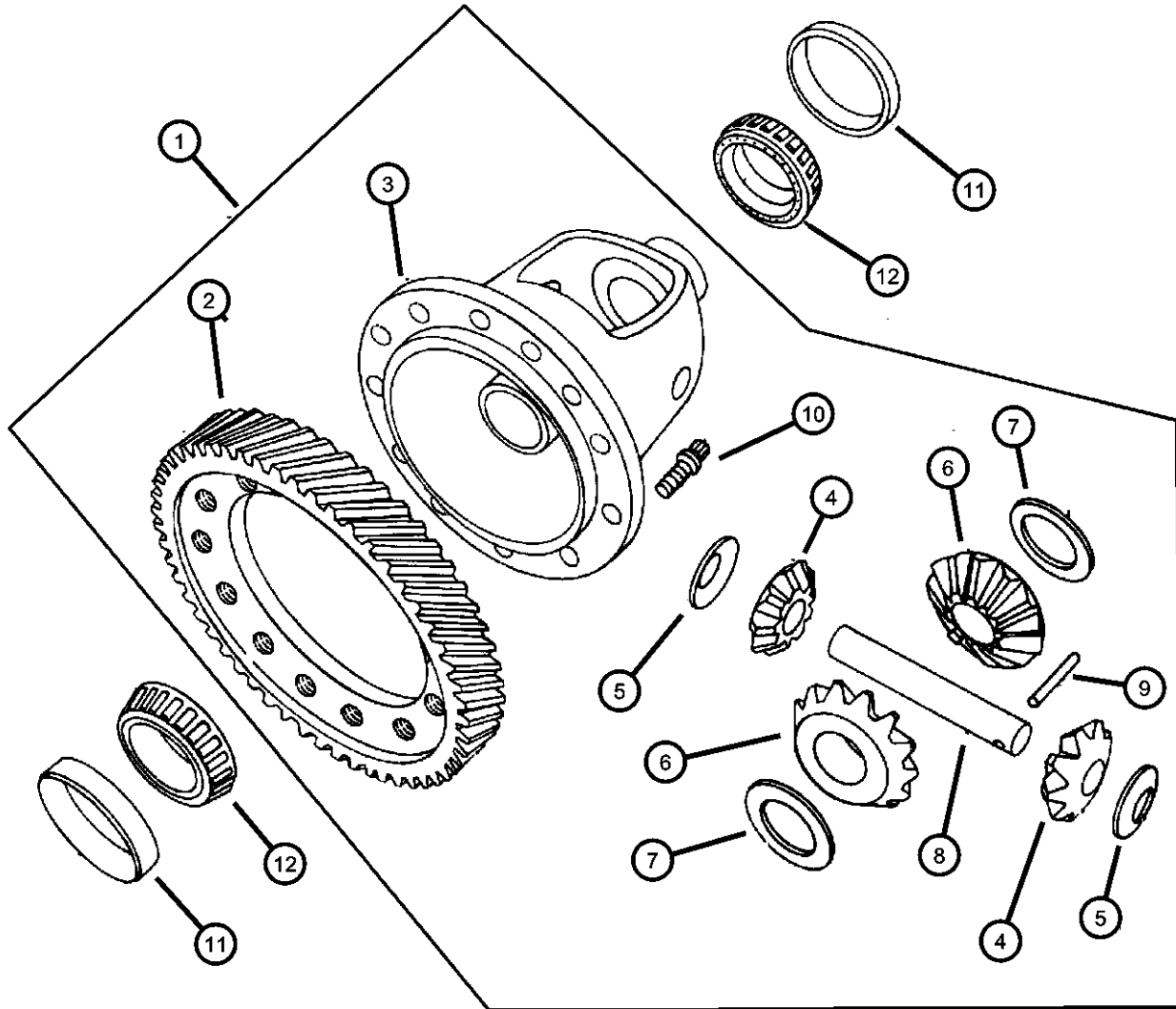
ITEM	PART NUMBER	QTY	LINE	SERIES	BODY	ENGINE	TRANS	TRIM	DESCRIPTION
35	04797349	1				ENC	DD3		SYNCHRONIZER, Third and Fourth
36	04856881	2				EDZ, ENC	DD3		SPRING, 3rd And 4th Synchronizer
37	04883202	1				ENC	DD3		GEAR, Third
38	06032705	1				ENC	DD3		PIN, Split Thrust Washer
39	04504577	1				ENC	DD3		WASHER PACKAGE, Thrust
40	04797344	1				EDZ, ENC	DD3		GEAR, Second
41	04797339	2				ENC	DD3		RING, 1st and 2nd Speed Blocker
-42	04412029	2				ENC	DD3		SYNCHRONIZER, First and Second, Cone , First and Second, Inner
-43	04412027	2				ENC	DD3		CONE ASSEMBLY, Synchronizer
44	04797340	1				ENC	DD3		SYNCHRONIZER, First and Second
45	06501726	1				ENC	DD3		SNAP RING
46	04883816AA	2				EDZ, ENC	DD3		SPRING, Synchronizer
47	04883198	1				EDZ, ENC	DD3		GEAR, First
48	04797336	1				ENC	DD3		BEARING, Intermediate Shaft, Cone
49	04797337	1				ENC	DD3		SHAFT, Intermediate
50	04797325	1				ENC	DD3		RACE, Intermediate ShaftFront
51	04797326	1				ENC	DD3		BEARING, Input Shaft
52	04797324	1				ENC	DD3		FEEDER, Transaxle Oil
53	04797343	1				ENC	DD3		NUT, Gear Retaining
54	04797341	1				ENC	DD3		GEAR, Fifth Input
55	04761079	1				ENC	DD3		BEARING, Input Shaft
56	04797356	1				ENC	DD3		SHAFT, Input

AR = use ase required - = Non illustrated part

Differential
Figure A598-810

ITEM	PART NUMBER	QTY	LINE	SERIES	BODY	ENGINE	TRANS	TRIM	DESCRIPTION
------	-------------	-----	------	--------	------	--------	-------	------	-------------

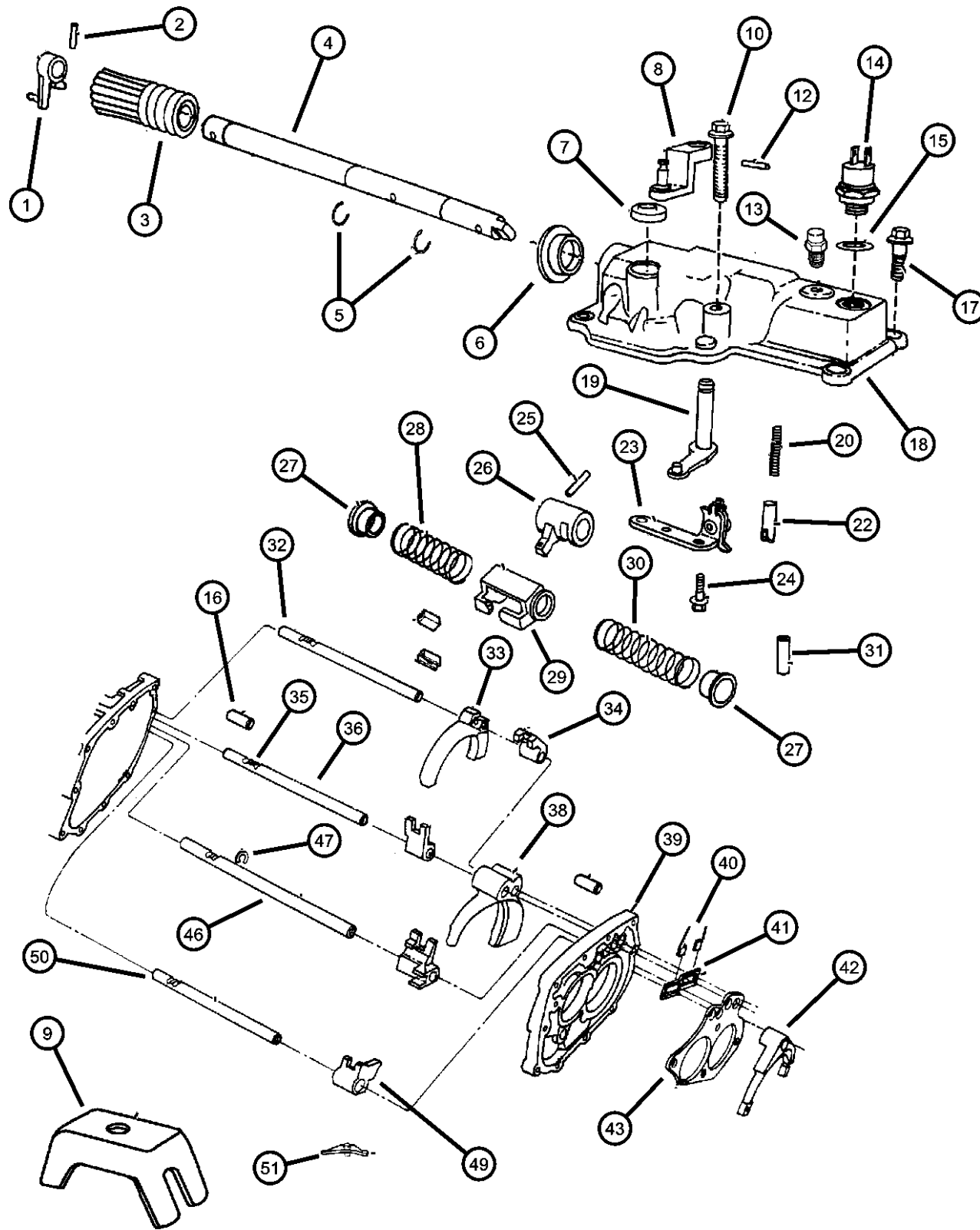
NOTE:
Sales Codes:
ECB=2.0L 4Cyl. SOHC 16V
ENC=2.5L 4Cyl. Turbo Diesel
EDZ=2.4L 4Cyl. DOHC 16V
DDF=5 Speed Manual Transmission
DD3=5 Speed Manual Transmission



1	04797331	1				ENC	DD3		DIFFERENTIAL, Transaxle
2	04797332	1				ENC	DD3		GEAR, Differential Drive, 66 Teeth
3	04797332	1							CASE, Differential, (NOT SERVICED)
4	04348679	2	C						PINION, Differential
5	04137024	2				ENC	DD3		WASHER, Pinion Thrust
6	04659502	2				ENC	DD3		GEAR, Differential Side
7	04504568	1				ENC	DD3		WASHER PACKAGE, Side Gear Thrust
8	04659142	1				ENC	DD3		SHAFT, Pinion Gear
9	06503827	1				ENC	DD3		PIN, Pinion Shaft, Roll, Solid M5
10	04761105	12				ENC	DD3		BOLT, Differential Ring Gear, M12x1.75x25
11	04797333	1				ENC	DD3		CUP, Differential Bearing
12	04797330	2				ENC	DD3		BEARING CONE, Differential

AR = use ase required - = Non illustrated part

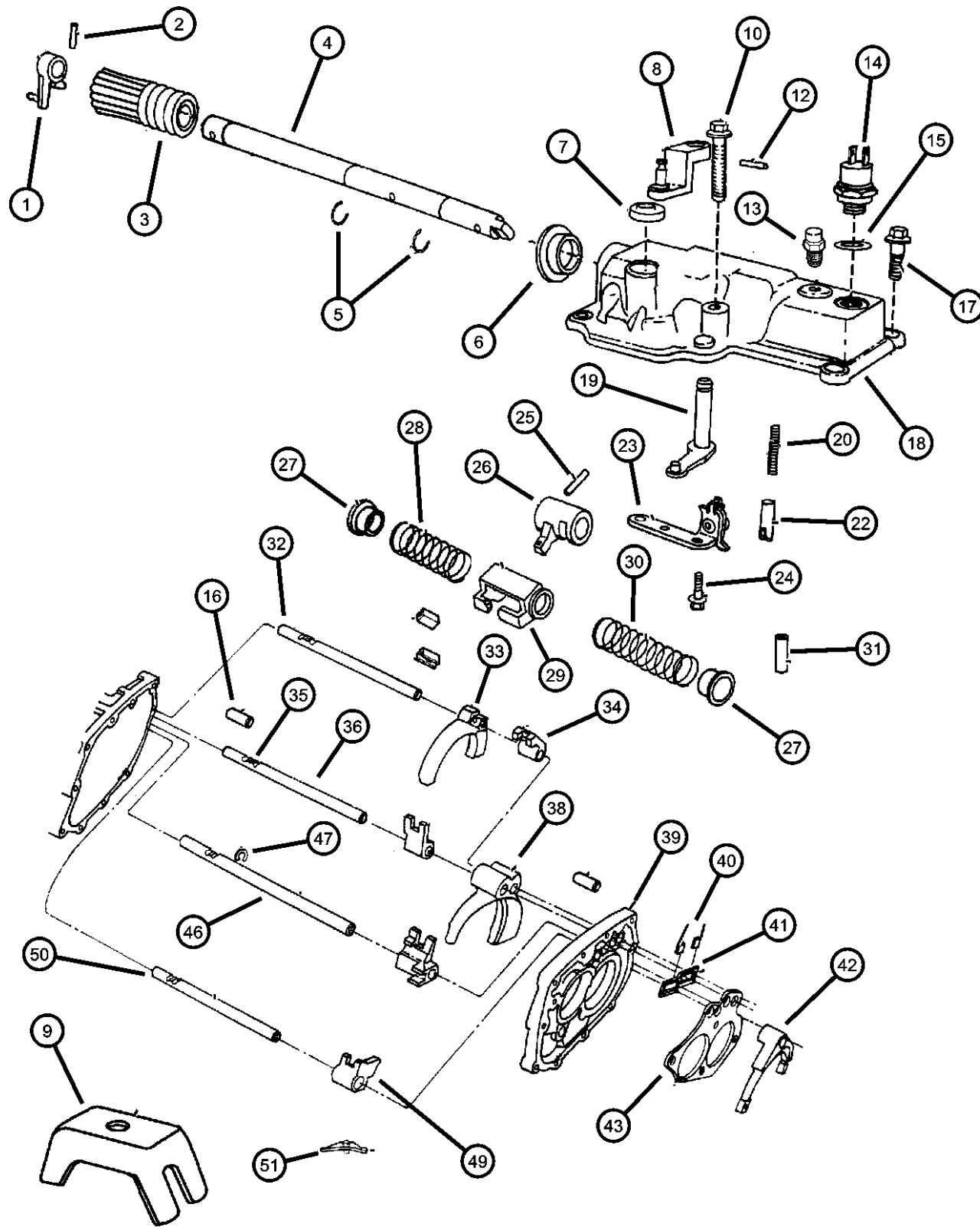
Fork and Rail
Figure A598-910



ITEM	PART NUMBER	QTY	LINE	SERIES	BODY	ENGINE	TRANS	TRIM	DESCRIPTION
NOTE: Sales Codes: ECB=2.0L 4Cyl. SOHC 16V ENC=2.5L 4Cyl. Turbo Diesel EDZ=2.4L 4Cyl. DOHC 16V DDF=5 Speed Manual Transmission DD3=5 Speed Manual Transmission									
1	04856285	1	Y			ECB	DDF		LEVER, Select
		1	Z			ECB	DDF		
		1				EDZ, ENC	DD3		
2	06101492	1				ENC	DD3		ROLL PIN, Select Lever Shaft, M6x28
		1	Y			ECB	DDF		
		1	Z			ECB	DDF		
3	04856850	1				ENC	DD3		SEAL, Boot Shaft Housing
		1	Y			ECB	DDF		
		1	Z			ECB	DDF		
4	04856885	1				ENC	DD3		SHAFT, Selector
		1	Y			ECB	DDF		
		1	Z			ECB	DDF		
5	06501468	2				ENC	DD3		SNAP RING
		2	Y			ECB	DDF		
		2	Z			ECB	DDF		
6	04856279	1				ENC	DD3		SEAL, Gearshift Lever
		1	Y			ECB	DDF		
		1	Z			ECB	DDF		
7	04856282	1				ENC	DD3		SEAL, Crossover Shaft
		1	Y			ECB	DDF		
		1	Z			ECB	DDF		
8	04431854	1				ENC	DD3		LEVER, Crossover
		1	Y			ECB	DDF		
		1	Z			ECB	DDF		
9	04856884	1				ENC	DD3		BAFFLE, Sump
		1	Y			ECB	DDF		

AR = use ase required - = Non illustrated part

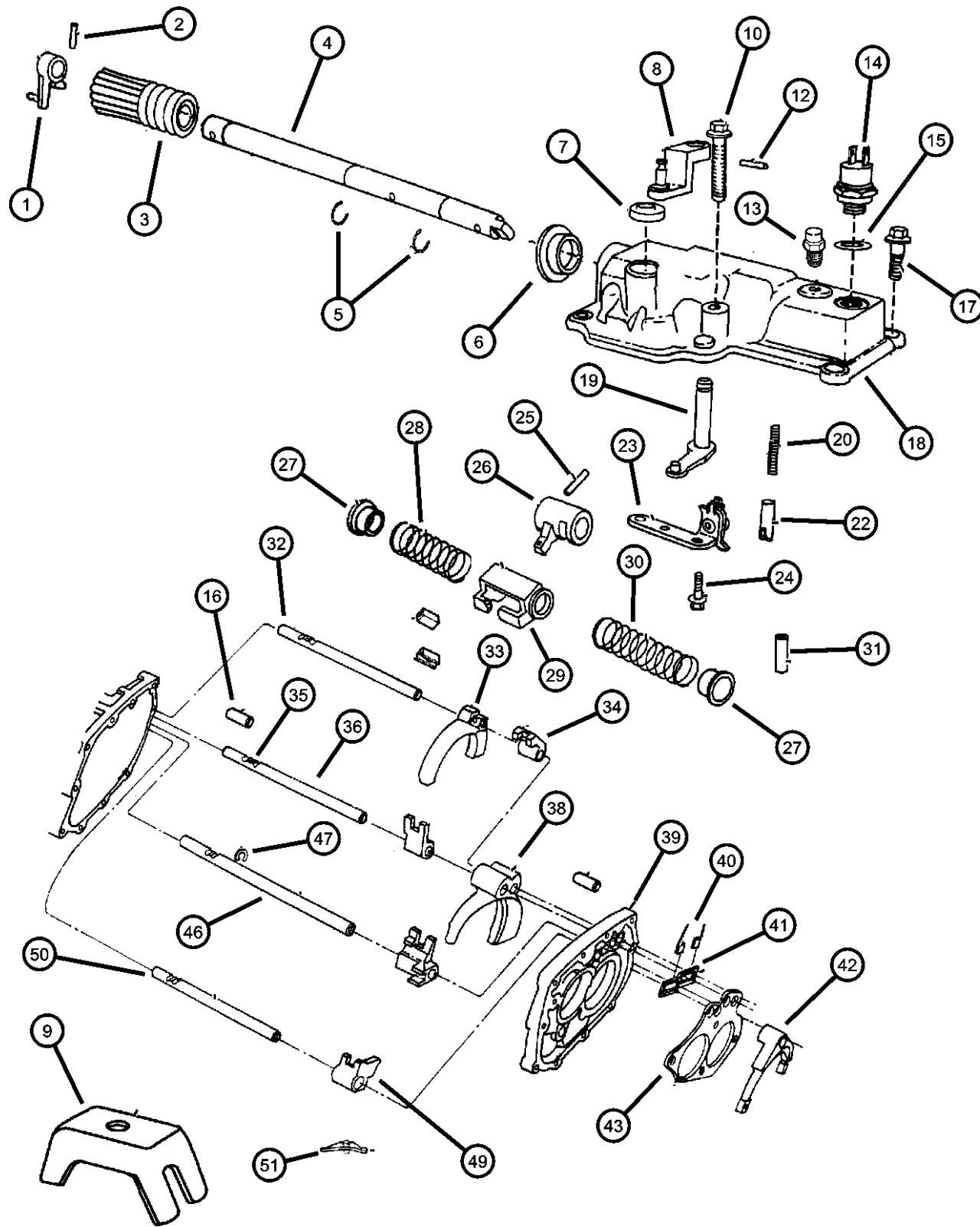
Fork and Rail
Figure A598-910



ITEM	PART NUMBER	QTY	LINE	SERIES	BODY	ENGINE	TRANS	TRIM	DESCRIPTION
10		1	Z			ECB	DDF		BOLT
	06500318	3				ENC	DD3		
		4	Y			ECB			
		4	Z			ECB			
-11									BOLT, Socket Hex Flange Head, M8x1.25x45.00
	06501370	2				ENC	DD3		
		2	Y			ECB	DDF		
		2	Z			ECB	DDF		
12									PIN, Roll
	06101491	1				ENC	DD3		
		1	Y			ECB	DDF		
		1	Z			ECB	DDF		
13	04505557	1					DD3, DDF		VENT, Transmission SWITCH, Back Up Lamp
14	04373814	1				ENC	DD3		
		1	Y			ECB	DDF		
		1	Z			ECB	DDF		
15	01302807	1				ENC	DD3		GASKET, Back Up Lamp Switch
		1	Y			ECB	DDF		
		1	Z			ECB	DDF		
16	04762605	4				ENC	DD3		BUSHING, Shift Rail
		4	Y			ECB	DDF		
		4	Z			ECB	DDF		
17	06502049	2				ENC	DD3		SCREW, Shoulder Hex Flange Head, M8x1.25x30.00
		2	Y			ECB	DDF		
		2	Z			ECB	DDF		
18	04723881	1				ENC	DD3		HOUSING, Shift
		1	Y			ECB	DDF		
		1	Z			ECB	DDF		
19	04543751	1				ENC	DD3		SHAFT, Crossover
		1	Y			ECB	DDF		
		1	Z			ECB	DDF		
20									SPRING, Detent

AR = use ase required - = Non illustrated part

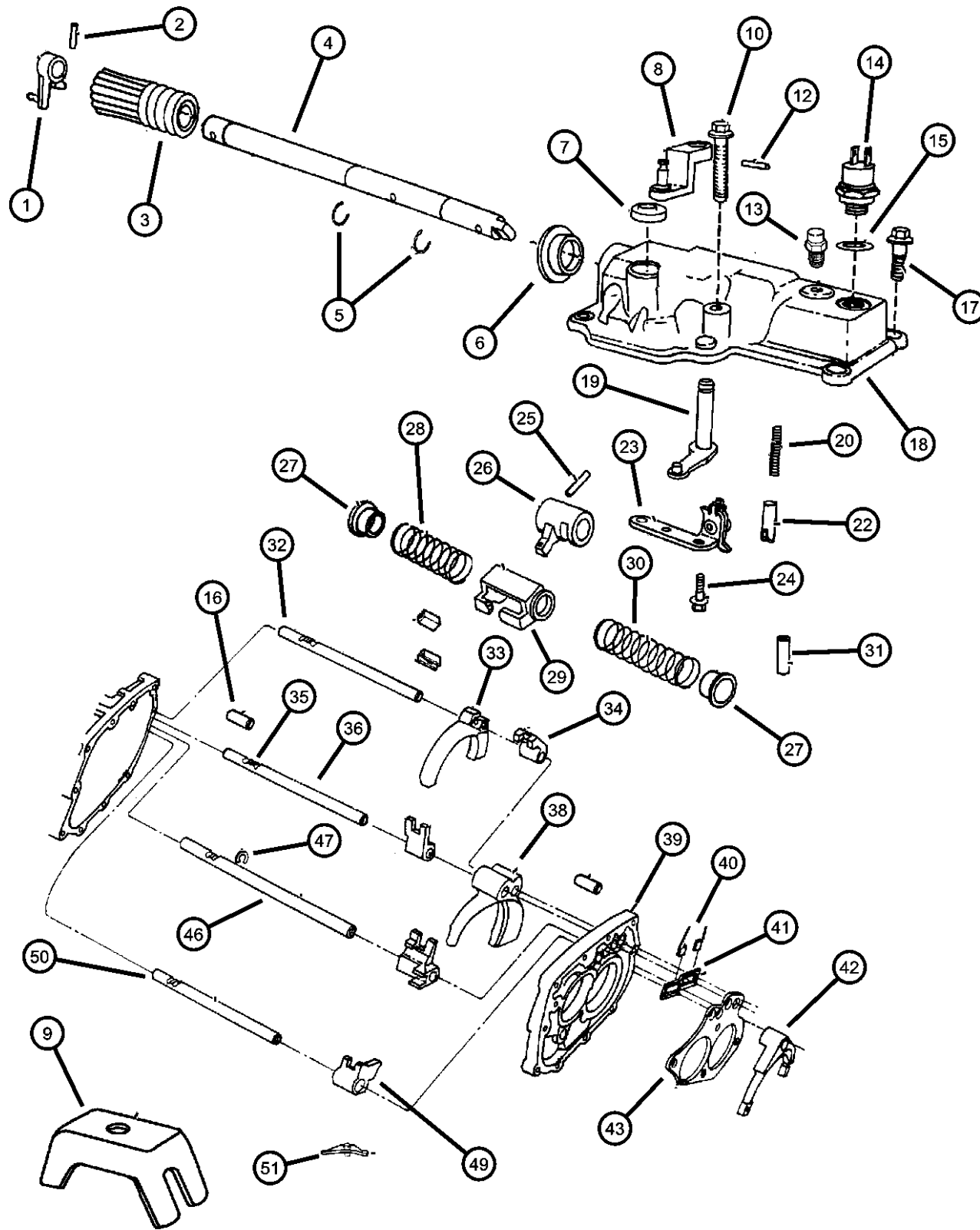
Fork and Rail
Figure A598-910



ITEM	PART NUMBER	QTY	LINE	SERIES	BODY	ENGINE	TRANS	TRIM	DESCRIPTION
	04471097	3				ENC	DD3		
		3	Y			ECB	DDF		
		3	Z			ECB	DDF		
-21	04471097	3				ENC	DD3		SPRING, Detent
		3	Y			ECB	DDF		
		3	Z			ECB	DDF		
22	04531302	4				ENC	DD3		DETENT, Roller End
		4	Y			ECB	DDF		
		4	Z			ECB	DDF		
23	04431028	1				ENC	DD3		PLATE, Transmission Shifter
		1	Y			ECB	DDF		
		1	Z			ECB	DDF		
24	06500417	2				ENC	DD3		BOLT, Hex Head, M6x1.0x22
		2	Y			ECB	DDF		
		2	Z			ECB	DDF		
25	06101492	1				ENC	DD3		ROLL PIN, Select Lever Shaft, M6x28
		1	Y			ECB	DDF		
		1	Z			ECB	DDF		
26	04531886	1				ENC	DD3		SELECTOR, Gearshift
		1	Y			ECB	DDF		
		1	Z			ECB	DDF		
27	04856281	1				ENC	DD3		SLEEVE, Selector Shaft
		1	Y			ECB	DDF		
		1	Z			ECB	DDF		
28	04883218	2				ENC	DD3		SPRING
		2	Y			ECB	DDF		
		2	Z			ECB	DDF		
29	04883217	1				ENC	DD3		INHIBITOR, Reverse
		1	Y			ECB	DDF		
		1	Z			ECB	DDF		
30									SPRING

AR = use ase required - = Non illustrated part

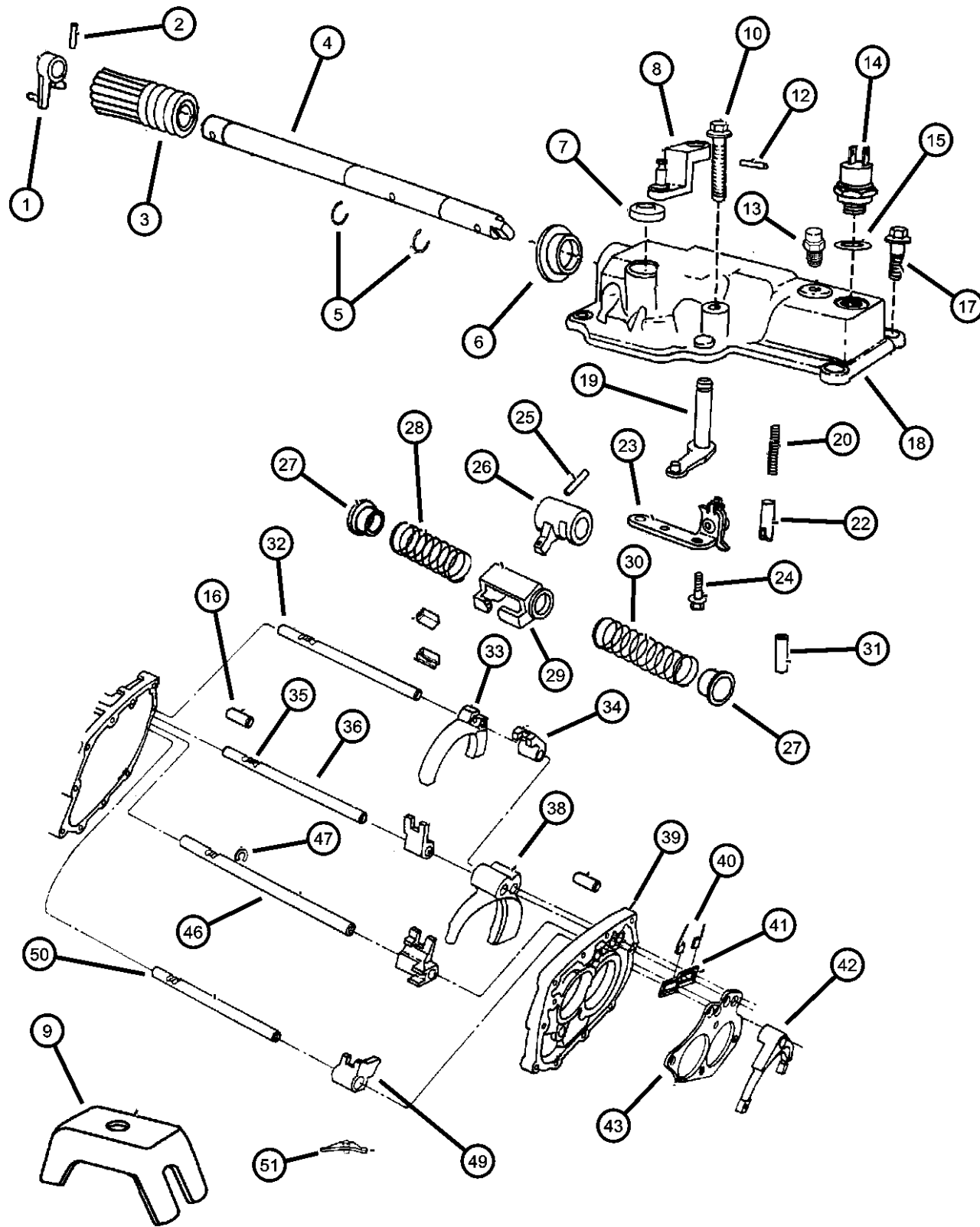
Fork and Rail
Figure A598-910



ITEM	PART NUMBER	QTY	LINE	SERIES	BODY	ENGINE	TRANS	TRIM	DESCRIPTION
	04883218	2				ENC	DD3		
		2	Y			ECB	DDF		
		2	Z			ECB	DDF		
31									SPRING, Detent
	04471097	3				ENC	DD3		
		3	Y			ECB	DDF		
		3	Z			ECB	DDF		
32									BUSHING, Detent
	04505690	1				EDZ, ENC	DD3		
		1	Y			ECB	DDF		
		1	Z			ECB	DDF		
33									RAIL, First and Second Shift
	04431033	1				ENC	DD3		
		1	Y			ECB	DDF		
		1	Z			ECB	DDF		
34									FORK, First and Second
	04797358	1				ENC	DD3		
		1	Y			ECB	DDF		
		1	Z			ECB	DDF		
35									LUG, First and Second Gear
	04531875	1				ENC	DD3		
		1	Y			ECB	DDF		
		1	Z			ECB	DDF		
36									RAIL, Third and Fourth Shift
	04856882	1				ENC	DD3		
		1	Y			ECB	DDF		
		1	Z			ECB	DDF		
-37									LUG, Third and Fourth Gear
	04471091	1				ENC	DD3		
		1	Y			ECB	DDF		
		1	Z			ECB	DDF		
38									FORK, Third and Fourth
	04797361	1				ENC	DD3		
		1	Y			ECB	DDF		
		1	Z			ECB	DDF		
39									PLATE, Bearing Support
	04856269	1				ENC	DD3		
		1	Y			ECB	DDF		
		1	Z			ECB	DDF		
40									SHUTTLES, Interlock

AR = use ase required - = Non illustrated part

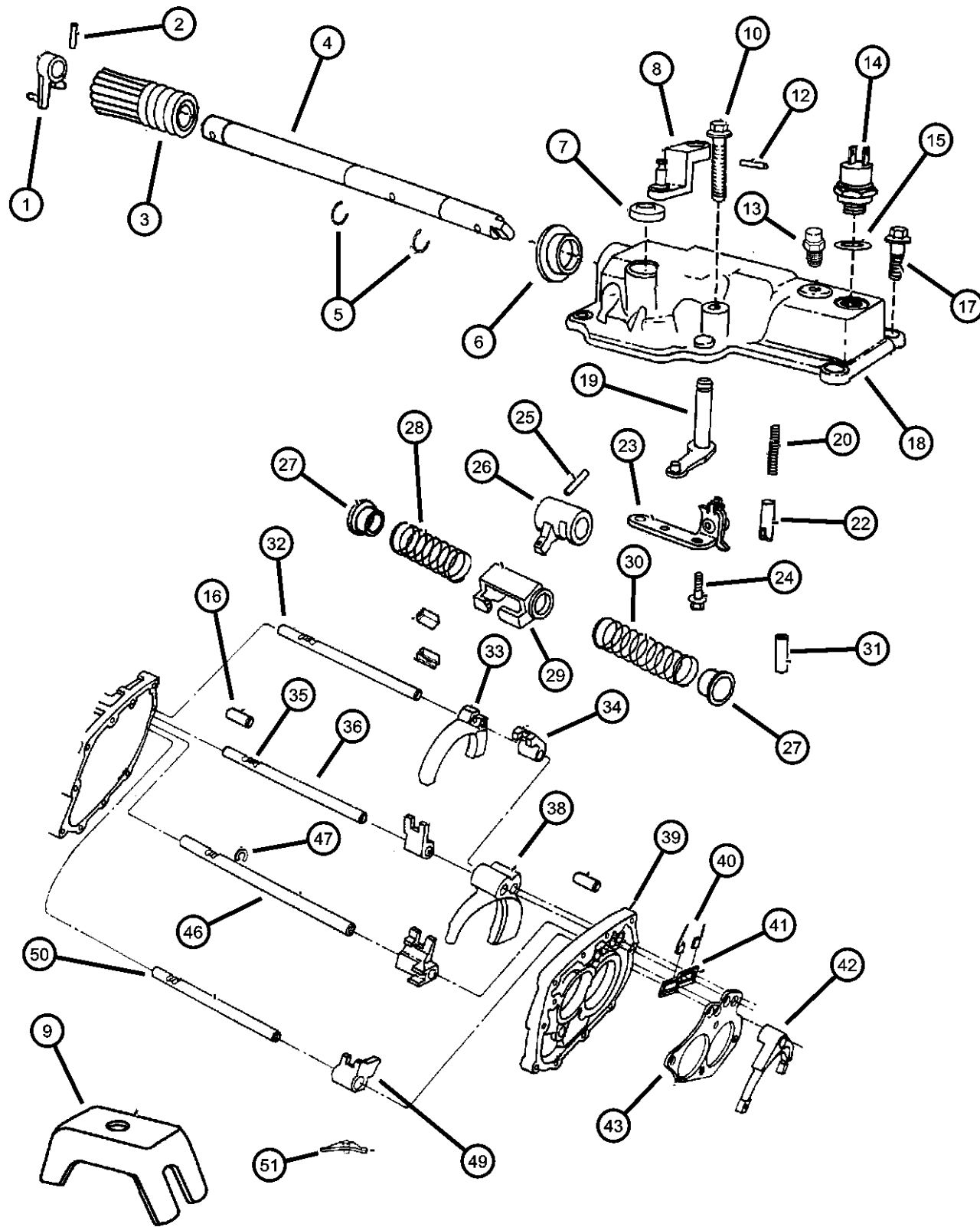
Fork and Rail
Figure A598-910



ITEM	PART NUMBER	QTY	LINE	SERIES	BODY	ENGINE	TRANS	TRIM	DESCRIPTION
41	04471015	2				ENC	DD3		PLATE, Transmission Module
		2	Y			ECB	DDF		
		2	Z			ECB	DDF		
42	04471014	1				ENC	DD3		FORK, Fifth
		1	Y			ECB	DDF		
		1	Z			ECB	DDF		
43	04797363	1				ENC	DD3		PLATE, Bearing Backup
		1	Y			ECB	DDF		
		1	Z			ECB	DDF		
-44	04856273	1				ENC	DD3		PIN, Fifth\Reverse Interlock
		1	Y			ECB	DDF		
		1	Z			ECB	DDF		
-45	04471094	1				ENC	DD3		PIN
		1	Y			ECB	DDF		
		1	Z			ECB	DDF		
46	06101475	2				ENC	DD3		RAIL, Fifth Shift
		2	Y			ECB	DDF		
		2	Z			ECB	DDF		
47	04531820	1				ENC	DD3		SNAP RING
		1	Y			ECB	DDF		
		1	Z			ECB	DDF		
-48	06501862	1				ENC	DD3		SPRING, Detent
		1	Y			ECB	DDF		
		1	Z			ECB	DDF		
49	04471097	3				ENC	DD3		LUG, Reverse
		3	Y			ECB	DDF		
		3	Z			ECB	DDF		
50	04471093	1				ENC	DD3		RAIL, Reverse Shift
		1	Y			ECB	DDF		
		1	Z			ECB	DDF		

AR = use ase required - = Non illustrated part

Fork and Rail
Figure A598-910



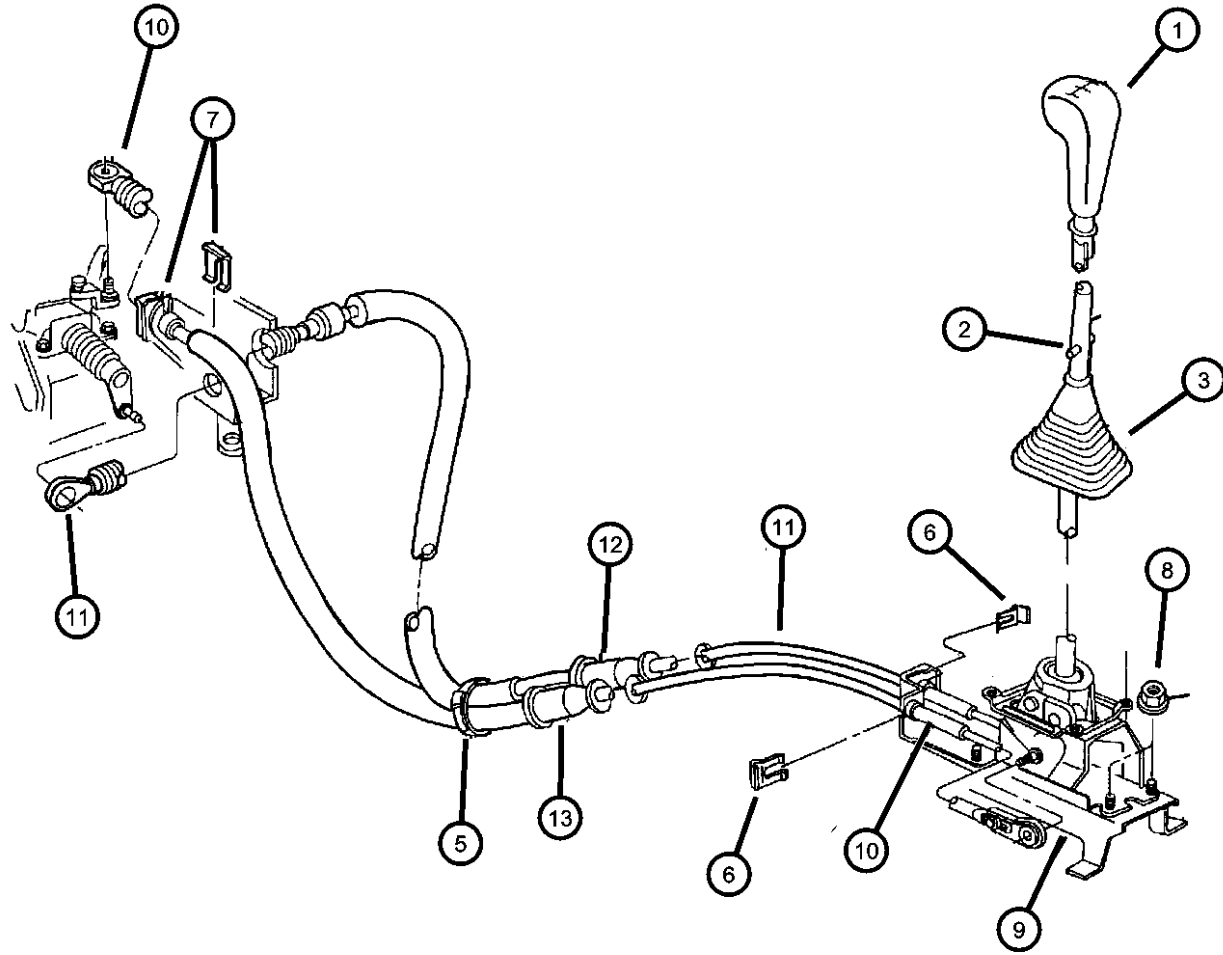
ITEM	PART NUMBER	QTY	LINE	SERIES	BODY	ENGINE	TRANS	TRIM	DESCRIPTION
	04856266	1				ENC	DD3		
		1	Y			ECB	DDF		
		1	Z			ECB	DDF		
51									ARM, Reverse Pivot
	04505347	1				ENC	DD3		
		1	Y			ECB	DDF		
		1	Z			ECB	DDF		
-52	04338589	2	C						PAD, Shift Fork
-53	04338589	2							CAP, Crossover Shaft Vent, 04471824, (NOT SERVICED)

AR = use ase required - = Non illustrated part

Controls, Gearshift
Figure A598-1210

ITEM	PART NUMBER	QTY	LINE	SERIES	BODY	ENGINE	TRANS	TRIM	DESCRIPTION
------	-------------	-----	------	--------	------	--------	-------	------	-------------

NOTE:
Sales Codes:
ECB=2.0L 4Cyl. SOHC 16V
ENC=2.5L 4Cyl. Turbo Diesel
EDZ=2.4L 4Cyl. DOHC 16V
DDF=5 Speed Manual Transmission
DD3=5 Speed Manual Transmission



1	04446987	1					DD3, DDF		KNOB, Gearshift
2	06502386	1	Y				DD3, DDF		PIN, Spring, M4.4x20
3	04641705	1	Y				DD3, DDF		BOOT, Gear Shift Lever
-4	04856850	1				ENC	DD3		SEAL, Boot Shaft Housing
5	04641780	1							STRAP, Tie
6	06501326	2					DD3, DDF		CLIP, Moulding, Cable Holding
7	04269830	2					DD3, DDF		CLIP, Cable
8	06501483	4					DD3, DDF		NUT, Hex Flange, M8x1.25
9	04641669	1	Y				DD3, DDF		SHIFTER, Transmission, Left Hand Drive
10	04641764	1					DD3, DDF		CABLE, Gearshift Crossover
11	04641765	1					DD3, DDF		CABLE, Gearshift Control
12	04446980	1					DD3, DDF		GROMMET, Selector Cable, Gray
13	04446981	1					DD3, DDF		GROMMET, Cable, Crossover, Black
-14	04446981	1							O RING, Gearshift Boot, (NOT REQUIRED)

AR = use ase required - = Non illustrated part

Group - 88

Power Transfer Unit AWD

Group - 88 Power Transfer Unit AWD

Illustration Title

Group-Fig. No.

Power Transfer Assembly and Mounting

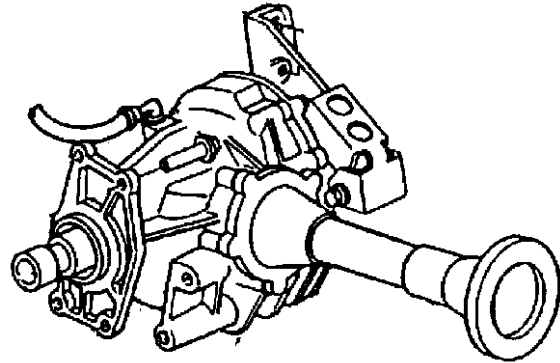
Power Transfer Unit Assembly Used With 41AE Fig. 88 - 110
 Power Transfer Unit Mounting Fig. 88 - 120

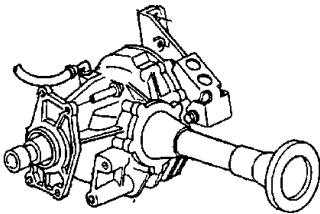
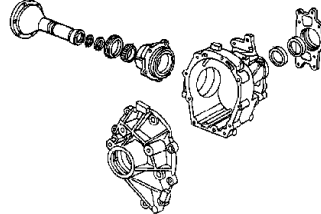
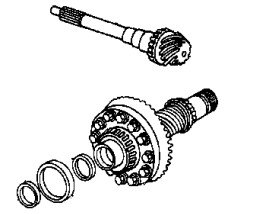
Case and Housing

Transfer Case and Housing Fig. 88 - 210

Gear Train

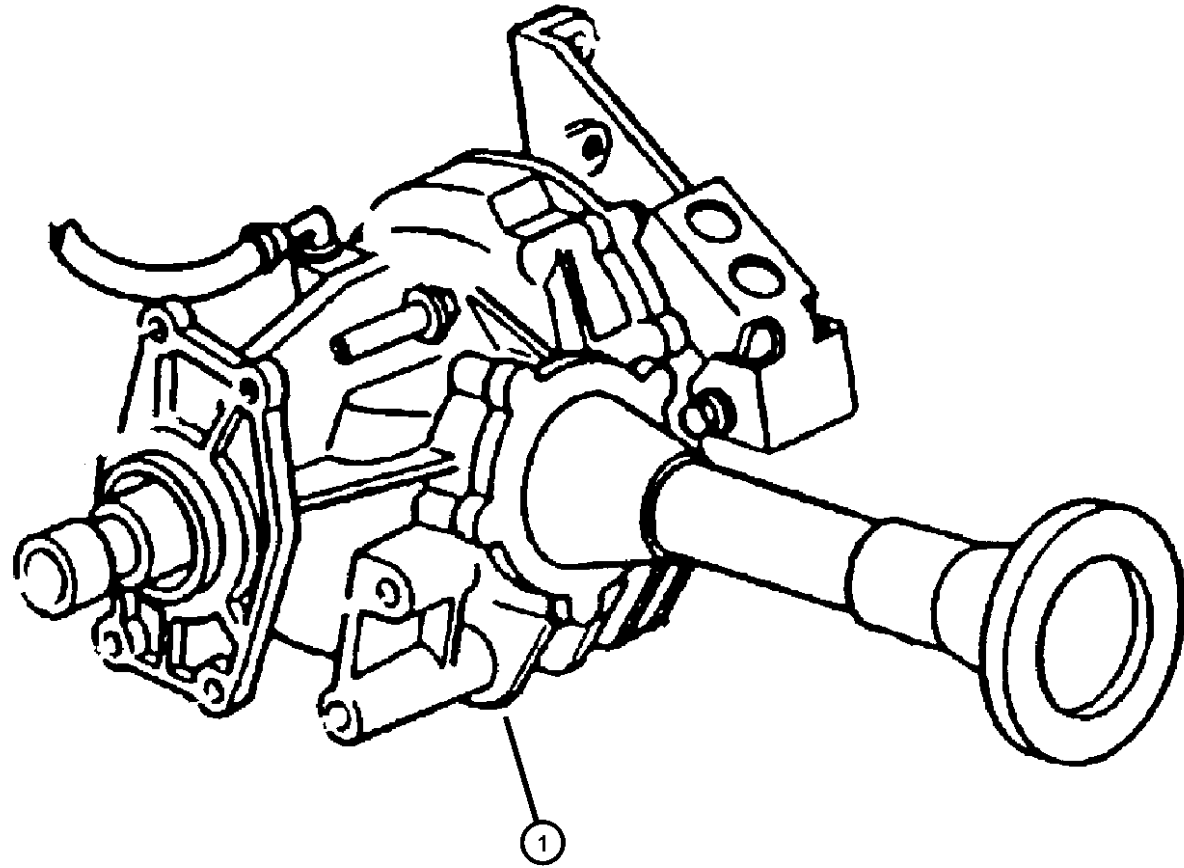
Gear Train Fig. 88 - 410



<p>088-100 Power Transfer Assembly and Mounting</p> 	<p>088-200 Case and Housing</p> 	<p>088-400 Gear Train</p> 	
---------------------------------------------------------------------------------------------------------------------------------------------------	--------------------------------------------------------------------------------------------------------------------------------	---------------------------------------------------------------------------------------------------------------------------	--

Power Transfer Unit Assembly Used With 41AE
Figure 88-110

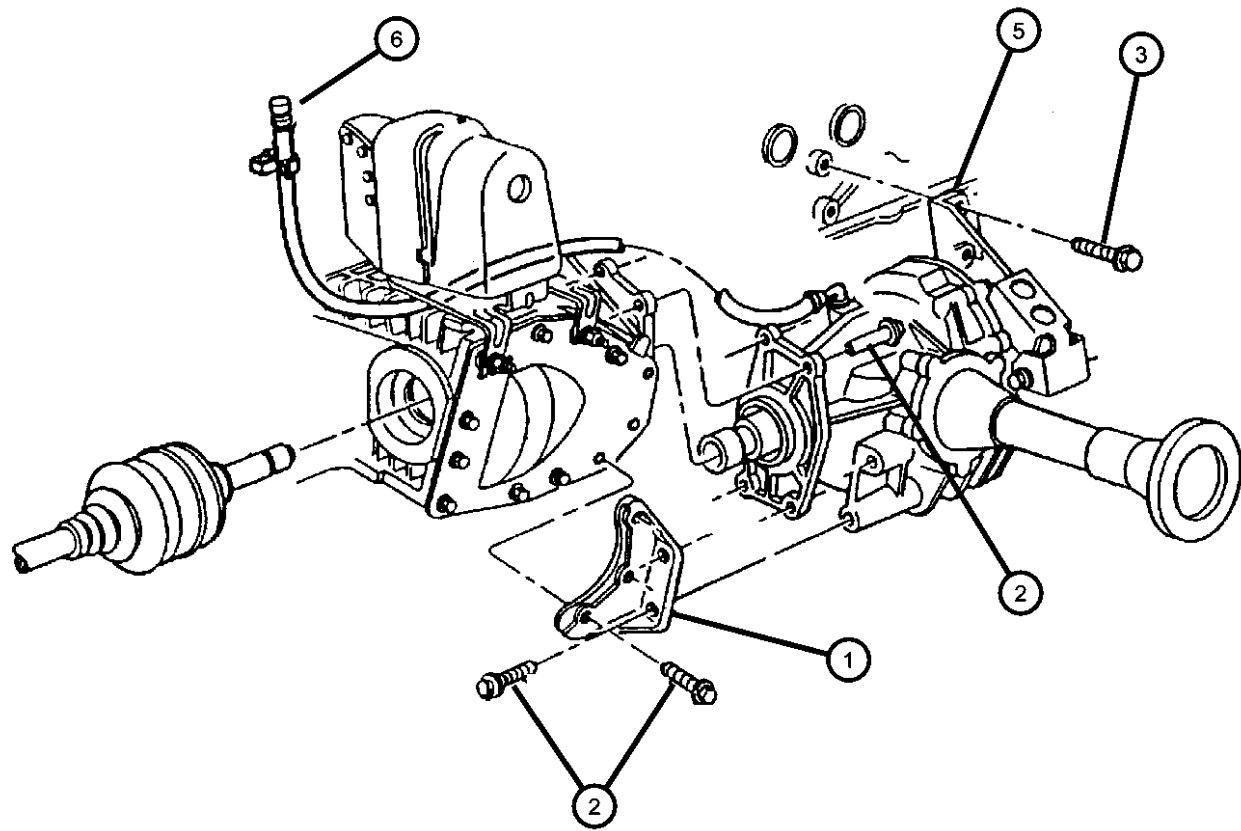
ITEM	PART NUMBER	QTY	LINE	SERIES	BODY	ENGINE	TRANS	TRIM	DESCRIPTION
1	04641766	1							POWER TRANSFER UNIT



AR = use ase required - = Non illustrated part

**Power Transfer Unit Mounting
Figure 88-120**

ITEM	PART NUMBER	QTY	LINE	SERIES	BODY	ENGINE	TRANS	TRIM	DESCRIPTION
1	04518738	1							BRACKET, Power Transfer Unit
2	06504171	5							SCREW, Hex Flange Head, M8x1.25x32
3	06100940	2							BOLT, Hex Flange Head, M10x1.5x50
-4	06504257	3							BOLT, Hex Head, M8x1.25x70
5	04641665	1							BRACKET, Power Take Off
6	04641661	1							VENT, Transaxle, Hose

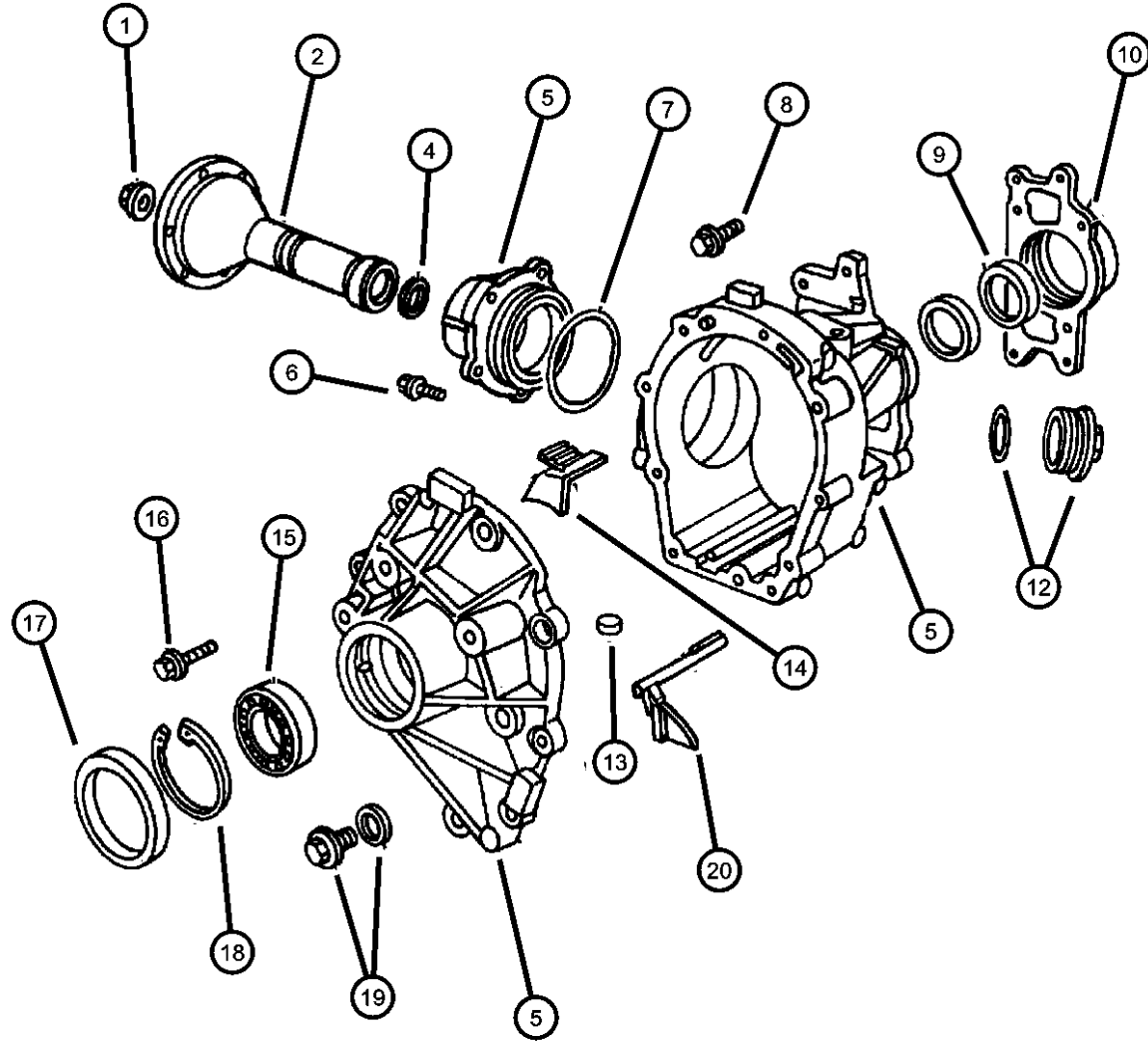


AR = use ase required - = Non illustrated part

**Transfer Case and Housing
Figure 88-210**

ITEM	PART NUMBER	QTY	LINE	SERIES	BODY	ENGINE	TRANS	TRIM	DESCRIPTION
------	-------------	-----	------	--------	------	--------	-------	------	-------------

NOTE:
Sales Codes:
EGH=3.8L V-6 MPI
DGL=4 Speed Automatic Transmission



1	04518903	1							NUT, Hex Flange Lock, M16x1.5
2	04641769	1							FLANGE, Output
-3	06504171	5							SCREW, Hex Flange Head, M8x1.25x32
4	04486070	1							O RING, Output Shaft Flange Tube
5	04486070	1							COVER, Transaxle Rear, Chain / Gear, Cover and Case Serviced in Assembly, (NOT SERVICED)
6	06504171	5							SCREW, Hex Flange Head, M8x1.25x32
7	04486077	1							O RING, PTU Case Rear Cover
8	06504171	5							SCREW, Hex Flange Head, M8x1.25x32
9	04486042	1				EGH	DGL		SEAL
10	04773735	1				EGH	DGL		RETAINER, Differential
-11	06500111	1				EGH	DGL		O RING, Transmission Case
12	04637108	1							PLUG PACKAGE, Fill
13	04486046	1							MAGNET, Power Take Off
14	04486796	1							TROUGH, Power Take Of Unit
15	04486065	1							BEARING, Drive Shaft
16	06500511	9							SCREW, Flange Head, M8x1.25x33
17	04641263	1							SEAL, Extension
18	04486754	1							SNAP RING
19									PLUG, Oil Drain
	06035417	1				EGH			
20		1							TROUGH, Power Take Of Unit, (NOT SERVICED)

AR = use ase required - = Non illustrated part

**Gear Train
Figure 88-410**

ITEM	PART NUMBER	QTY	LINE	SERIES	BODY	ENGINE	TRANS	TRIM	DESCRIPTION
------	-------------	-----	------	--------	------	--------	-------	------	-------------

Note:

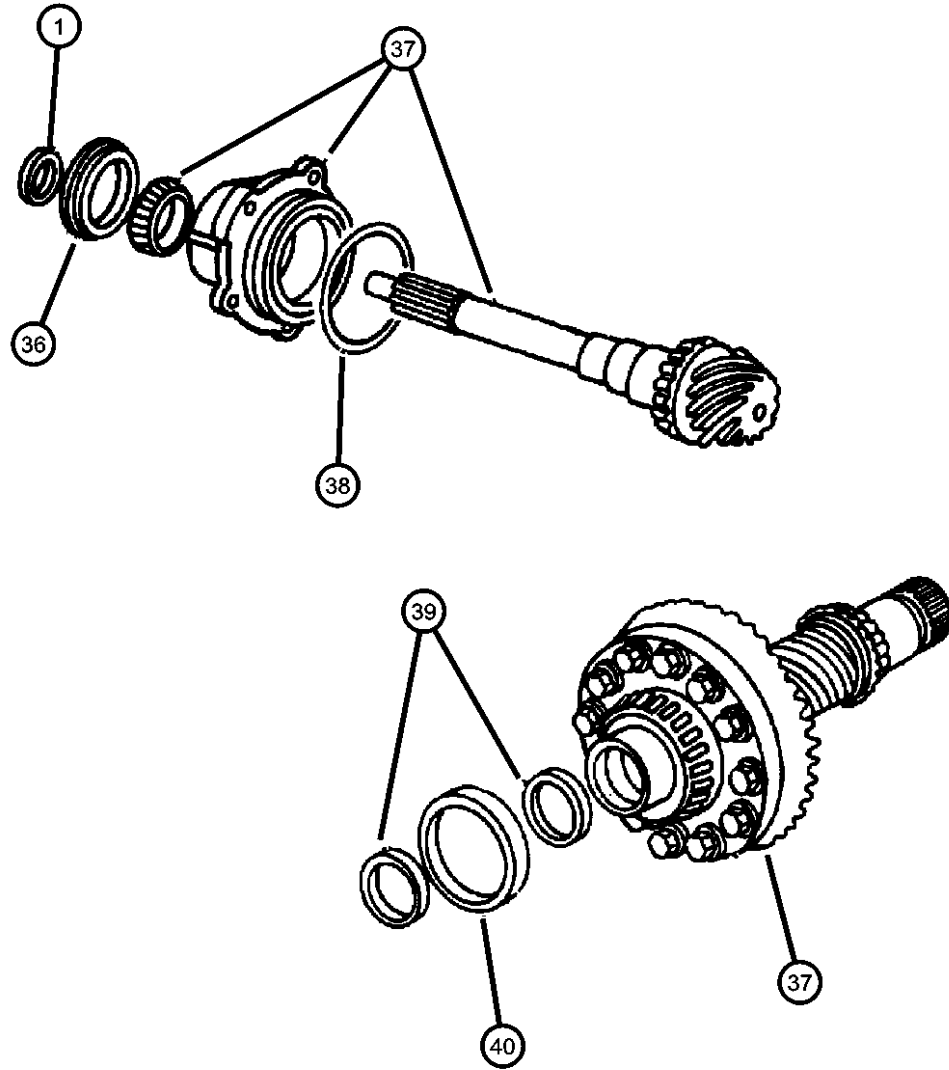
** Not all component parts of PTU are serviced. Refer to service numbers listed below.**

Sales Codes:

EGA=3.3L V-6 MPI

EGH=3.8L V-6 MPI

DGL=4 Speed Automatic Transmission

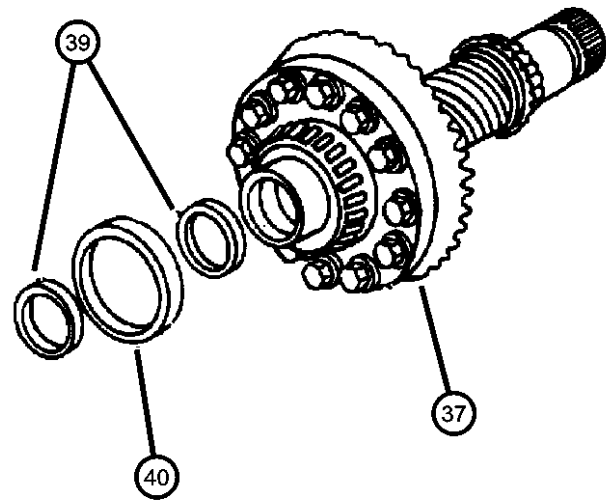
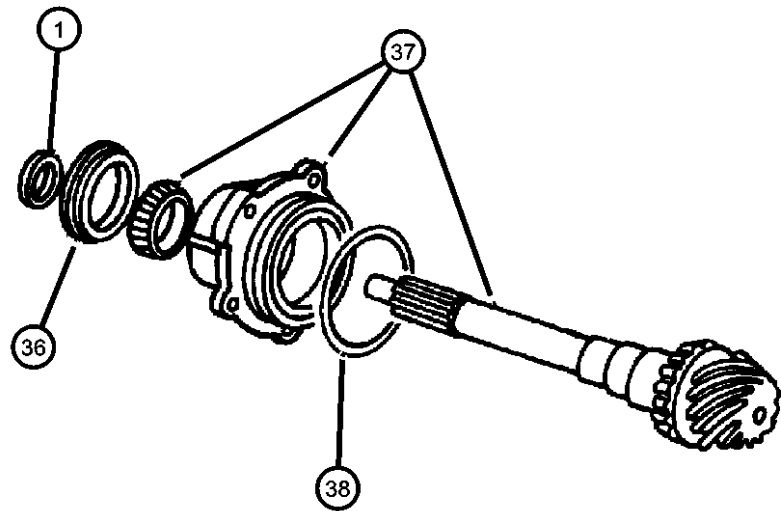


1	04641415	AR							SHIM, Output Shaft, 4.67 - 4.69mm
-2	04641416	AR							SHIM, Output Shaft, 4.70 - 4.72mm
-3	04641417	AR							SHIM, Output Shaft, 4.73 - 4.75mm
-4	04641418	AR							SHIM, Output Shaft, 4.76 - 4.78mm
-5	04641419	AR							SHIM, Output Shaft, 4.79 - 4.81mm
-6	04641420	AR							SHIM, Output Shaft, 4.82 - 4.84mm
-7	04641421	AR							SHIM, Output Shaft, 4.85 - 4.87mm
-8	04641422	AR							SHIM, Output Shaft, 4.88 - 4.90mm
-9	04641423	AR							SHIM, Output Shaft, 4.91 - 4.93mm
-10	04641424	AR							SHIM, Output Shaft, 4.94 - 4.96mm
-11	04641425	AR							SHIM, Output Shaft, 4.97 - 4.99mm
-12	04641426	AR							SHIM, Output Shaft, 5.00 - 5.02mm
-13	04641427	AR							SHIM, Output Shaft, 5.03 - 5.05mm
-14	04641428	AR							SHIM, Output Shaft, 5.06 - 5.08mm
-15	04641429	AR							SHIM, Output Shaft, 5.09 - 5.11mm
-16	04641430	AR							SHIM, Output Shaft, 5.12 - 5.14mm
-17	04641431	AR							SHIM, Output Shaft, 5.15 - 5.17mm
-18	04641432	AR							SHIM, Output Shaft, 5.18 - 5.20mm
-19	04641433	AR							SHIM, Output Shaft, 5.21 - 5.23mm
-20	04641434	AR							SHIM, Output Shaft, 5.24 - 5.26mm
-21	04641435	AR							SHIM, Output Shaft, 5.27 - 5.29mm
-22	04641436	AR							SHIM, Output Shaft, 5.30 - 5.35mm
-23	04641437	AR							SHIM, Output Shaft, 5.33 - 5.35mm
-24	04641438	AR							SHIM, Output Shaft, 5.36 - 5.38mm
-25	04641439	AR							SHIM, Output Shaft, 5.39 - 5.41mm
-26	04641440	AR							SHIM, Output Shaft, 5.42 - 5.44mm
-27	04641441	AR							SHIM, Output Shaft, 5.45 - 5.47mm
-28	04641442	AR							SHIM, Output Shaft, 5.48 - 5.50mm
-29	04641443	AR							SHIM, Output Shaft, 5.51 - 5.53mm
-30	04641444	AR							SHIM, Output Shaft, 5.54 - 5.56mm
-31	04641445	AR							SHIM, Output Shaft, 5.57 - 5.59mm
-32	04641446	AR							SHIM, Output Shaft, 5.60 - 5.62mm
-33	04641447	AR							SHIM, Output Shaft, 5.63 - 5.65mm
-34	04641448	AR							SHIM, Output Shaft, 5.66 - 5.68mm
-35	04641449	AR							SHIM, Output Shaft, 5.69 - 5.71mm
36	04486111	1							SEAL

AR = use ase required - = Non illustrated part

**Gear Train
Figure 88-410**

ITEM	PART NUMBER	QTY	LINE	SERIES	BODY	ENGINE	TRANS	TRIM	DESCRIPTION
37	04486111	1							SHAFT, Differential, Shaft and components are serviced in PTU assembly, (NOT SERVICED)
38	04486077	1							O RING, PTU Case Rear Cover
39	04486709	2							SEAL
40	04486769	1							SEAL
-41									SCREW AND WASHER, Pan Head, M5x0.8x11.00
	06501819	2				EGA			
		2				EGH	DGL		



AR = use ase required - = Non illustrated part

Group - 21P

Speedometer Pinions

Group - 21P Speedometer Pinions

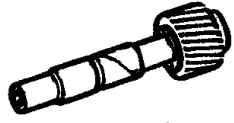
Group-Fig. No.

Illustration Title

Speedometer Pinions

Pinion, Speedometer.....Fig. 21P - 120

21P-100
Speedometer Pinions

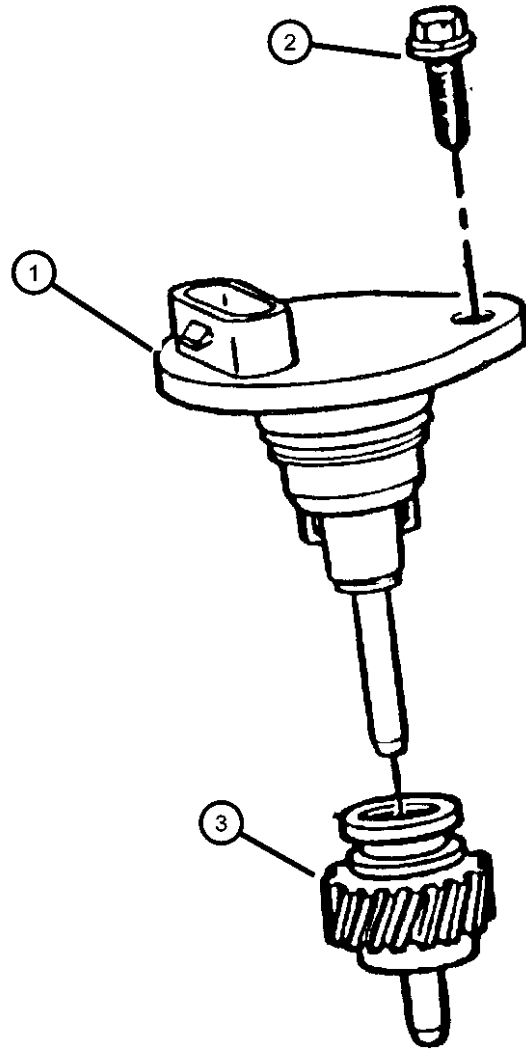


**Pinion, Speedometer
Figure 21P-120**

ITEM	PART NUMBER	QTY	LINE	SERIES	BODY	ENGINE	TRANS	TRIM	DESCRIPTION
------	-------------	-----	------	--------	------	--------	-------	------	-------------

NOTE:
Sales Codes:
DD0=All Manual Transmissions
DDF=5 Speed Manual Transmission

1	04707386	1					DD0		SENSOR, Vehicle Speed
2	06501714	1					DD3, DDF		SCREW AND WASHER, Hex Head, M6x1x18
3	04567883	1					DD3, DDF		PINION, Speedometer Drive, Red



AR = use ase required - = Non illustrated part

Group - 22

Wheels, Covers and Jacks

Group - 22 Wheels, Covers and Jacks

Illustration Title

Group-Fig. No.

Wheels and Hardware

Wheels and HardwareFig. 22 - 140

Wheel Covers and Center Caps


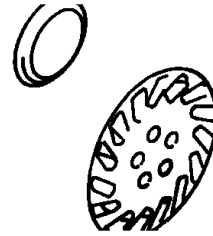
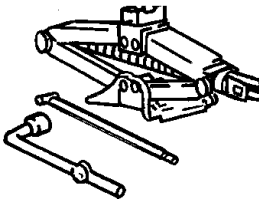
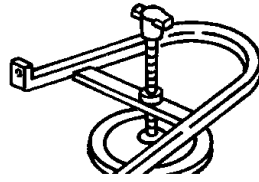
Caps and Covers.....Fig. 22 - 240

Jack Stowage

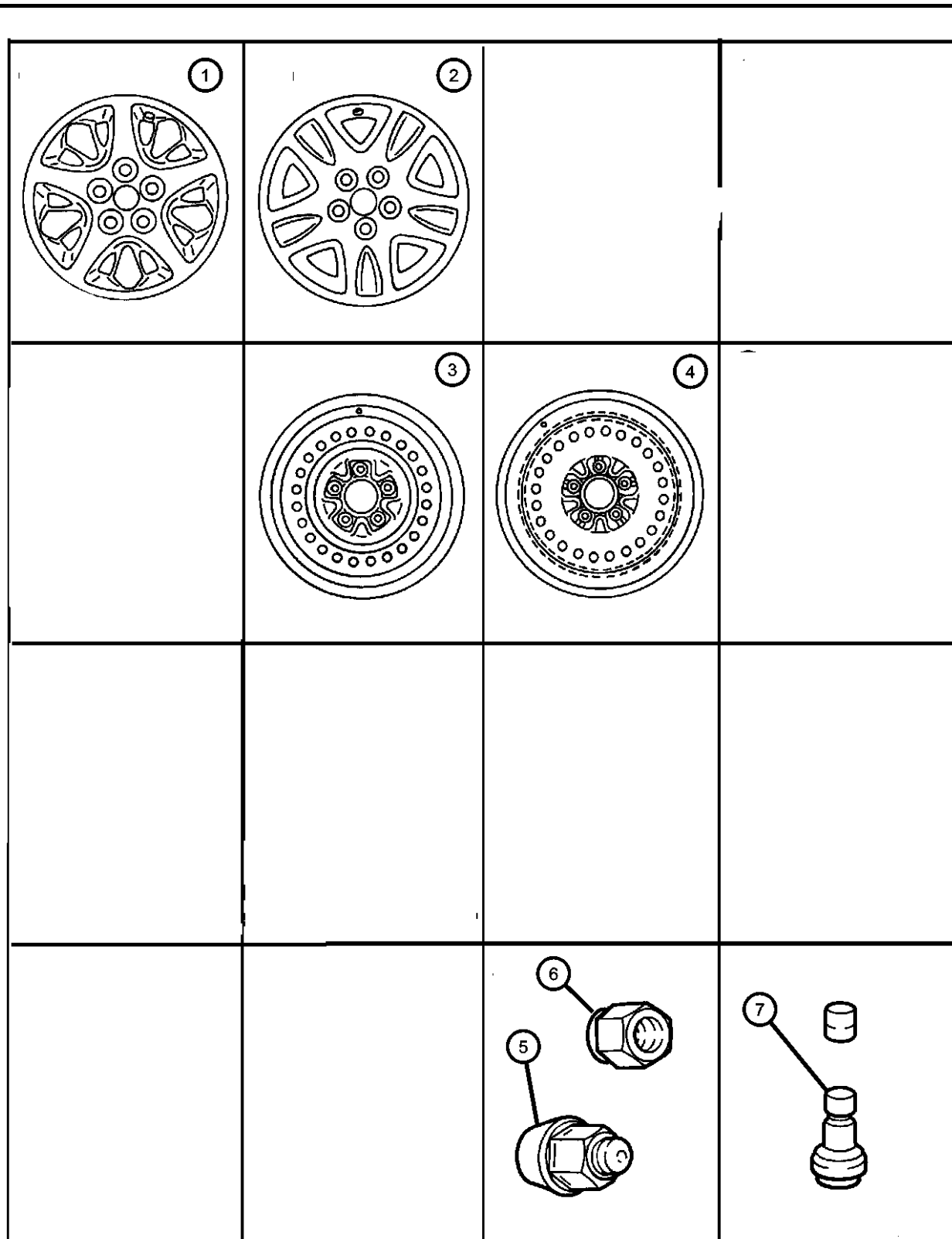
Jack Stowage.....Fig. 22 - 340

Spare Tire Stowage

Wheel, Spare, Underslung MountingFig. 22 - 410

<p>022-100 Wheels and Hardware</p> 	<p>022-200 Wheel Covers and Center Caps</p> 	<p>022-300 Jack Stowage</p> 	<p>022-400 Spare Tire Stowage</p> 
---------------------------------------------------------------------------------------------------------------------------------	------------------------------------------------------------------------------------------------------------------------------------------	---------------------------------------------------------------------------------------------------------------------------	----------------------------------------------------------------------------------------------------------------------------------

Wheels and Hardware
Figure 22-140



ITEM	PART NUMBER	QTY	LINE	SERIES	BODY	ENGINE	TRANS	TRIM	DESCRIPTION
------	-------------	-----	------	--------	------	--------	-------	------	-------------

Note: Sales Code TC5 = 215/65 R16 LBL A/ST
 Note: Sales Code WCP = 15x6 Black Stamped Wheel
 Note: Sales Code WJA = 15" Wheel, Cast Aluminum (Silver)
 Note: Sales Code WJ0 = All 15" Styled Road Wheels
 Note: Sales Code WMH = Base Wheel Dress-up w/B

1	0JS71SS7	4							WHEEL, Aluminum, WJA 15 X 6.5
2	0LF47SAK	4							WHEEL, Aluminum, WNR 16 X 6.5
3	04472543	4							WHEEL, Steel, WCP
4									WHEEL, Spare
	04284899	1							Compact Spare (TBC)
	04472537	1							
5	06502738	20							NUT, Wheel Chrome, M12x1.5, TM5 - WNR
6	06500526	20							NUT, Wheel, M12x1.5, WJ0 - WN0 - WMH
7	02073355	5							STEM, Wheel Valve
-8	04472563	1							LABEL, Tire Pressure

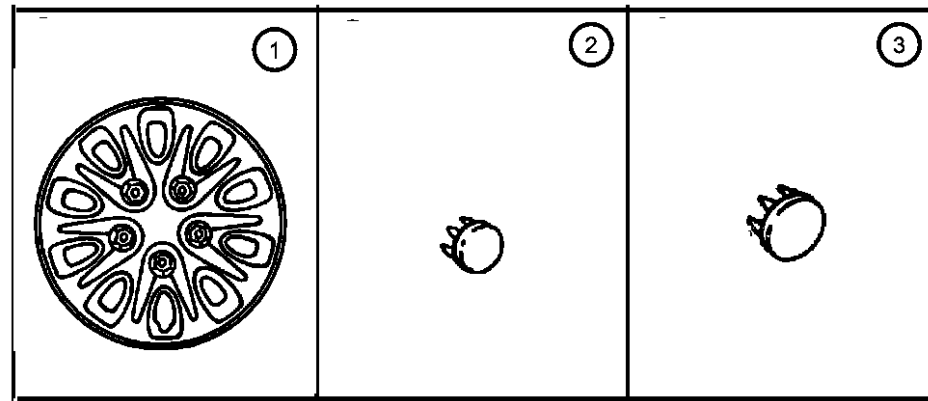
AR = use ase required - = Non illustrated part

Caps and Covers
Figure 22-240

ITEM	PART NUMBER	QTY	LINE	SERIES	BODY	ENGINE	TRANS	TRIM	DESCRIPTION
------	-------------	-----	------	--------	------	--------	-------	------	-------------

Note: Sales Code W5G = Wheel Cover, Class II - 15"

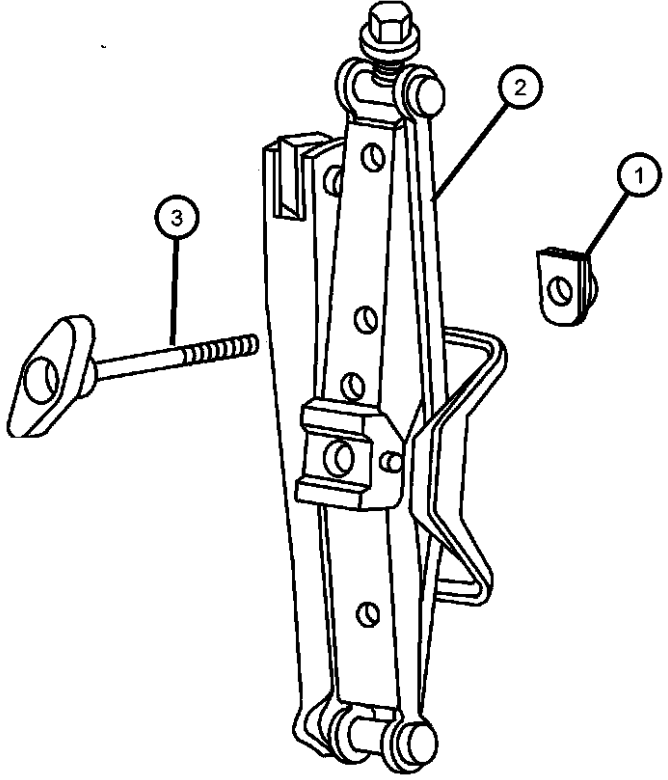
1	04472538	4							COVER, Wheel, 15"
2	04284004	4							CAP, Wheel Center, Machine Finish Aluminum
3	04695688	4							CAP, Wheel Center
-4									STEM, Wheel Valve
	02073355	5							Rubber 1.25 inches
	03461079	4							15 inch Covers



AR = use ase required - = Non illustrated part

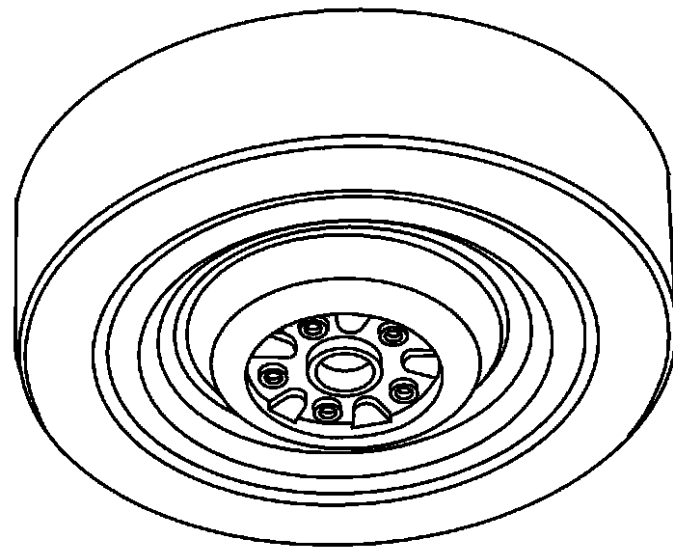
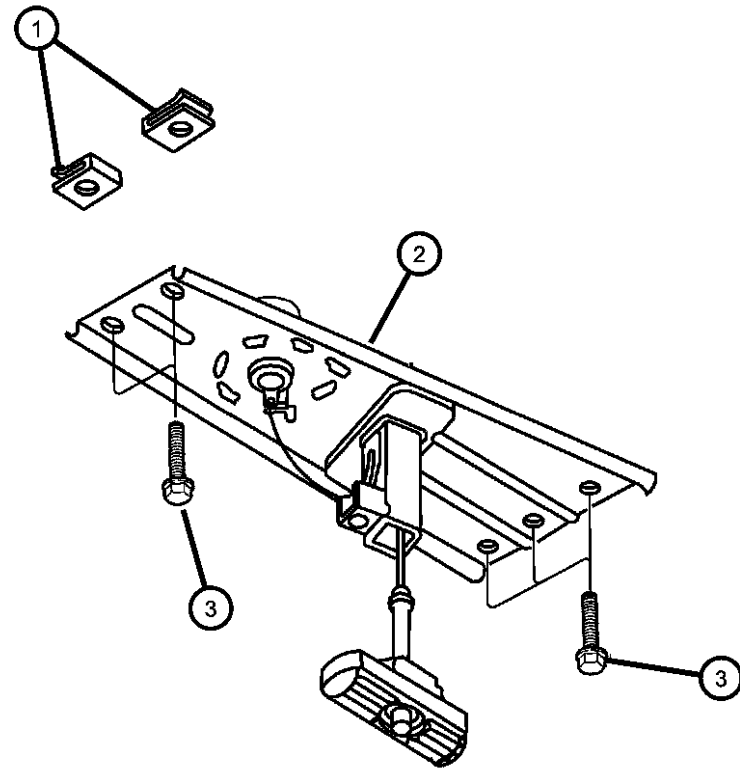
Jack Stowage
Figure 22-340

ITEM	PART NUMBER	QTY	LINE	SERIES	BODY	ENGINE	TRANS	TRIM	DESCRIPTION
1	06504118	1							U-NUT, M6 x 1.00, M6x1.00
2	04860320	1							JACK
3	04716535	1							SCREW, Jack
-4	06034228	1							WINGNUT, Jack and Tire Hold Down
-5									LABEL, Jack And Tire Stowage
	04716774	1				53			Pressure
	04716775	1				52			Pressure
	04716908	1				53			Stowage
	04716909	1				52			Stowage



AR = use ase required - = Non illustrated part

Wheel, Spare, Underslung Mounting
Figure 22-410



ITEM	PART NUMBER	QTY	LINE	SERIES	BODY	ENGINE	TRANS	TRIM	DESCRIPTION
1	06101283	2							U-NUT, M8x1.25
2	04716983	1	Y, Z						WINCH, Spare Tire Carrier
	04716984	1	C, U						Electric Vehicle
3	06100296	2							BOLT AND CONED WASHER, Hex Head, M8x25x17
-4	04716938	1	C		52				PLUG, Spare Tire Access Hole

AR = use ase required - = Non illustrated part

Group - 23D

Wiper/Lock Cylinder and Keys

Group - 23D Wiper/Lock Cylinder and Keys

Group-Fig. No.

Illustration Title

Lock Cylinders and Keys

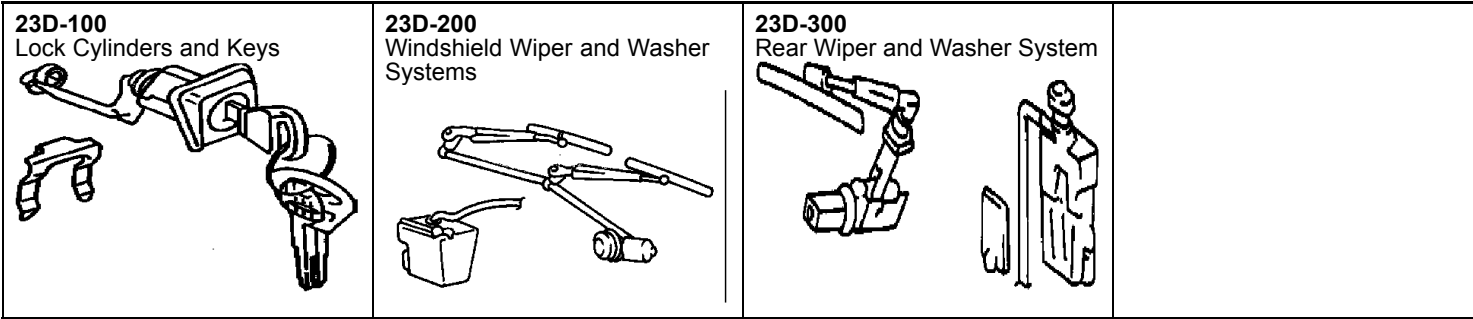
Lock Cylinder And Keys Fig. 23D - 115

Windshield Wiper and Washer Systems

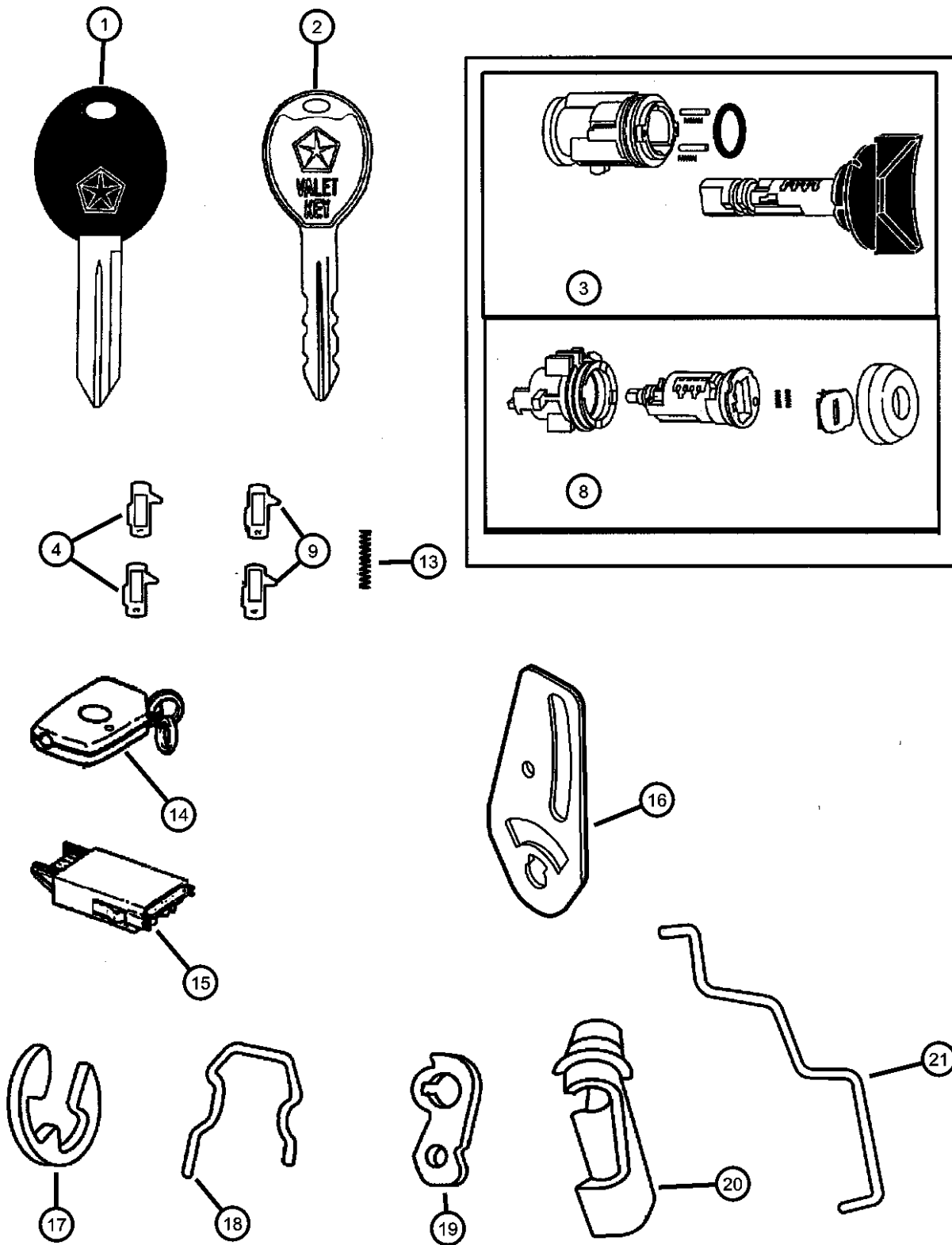
Front Windshield Wiper And Washer Fig. 23D - 240

Rear Wiper and Washer System

Rear Wiper And Washer Fig. 23D - 310



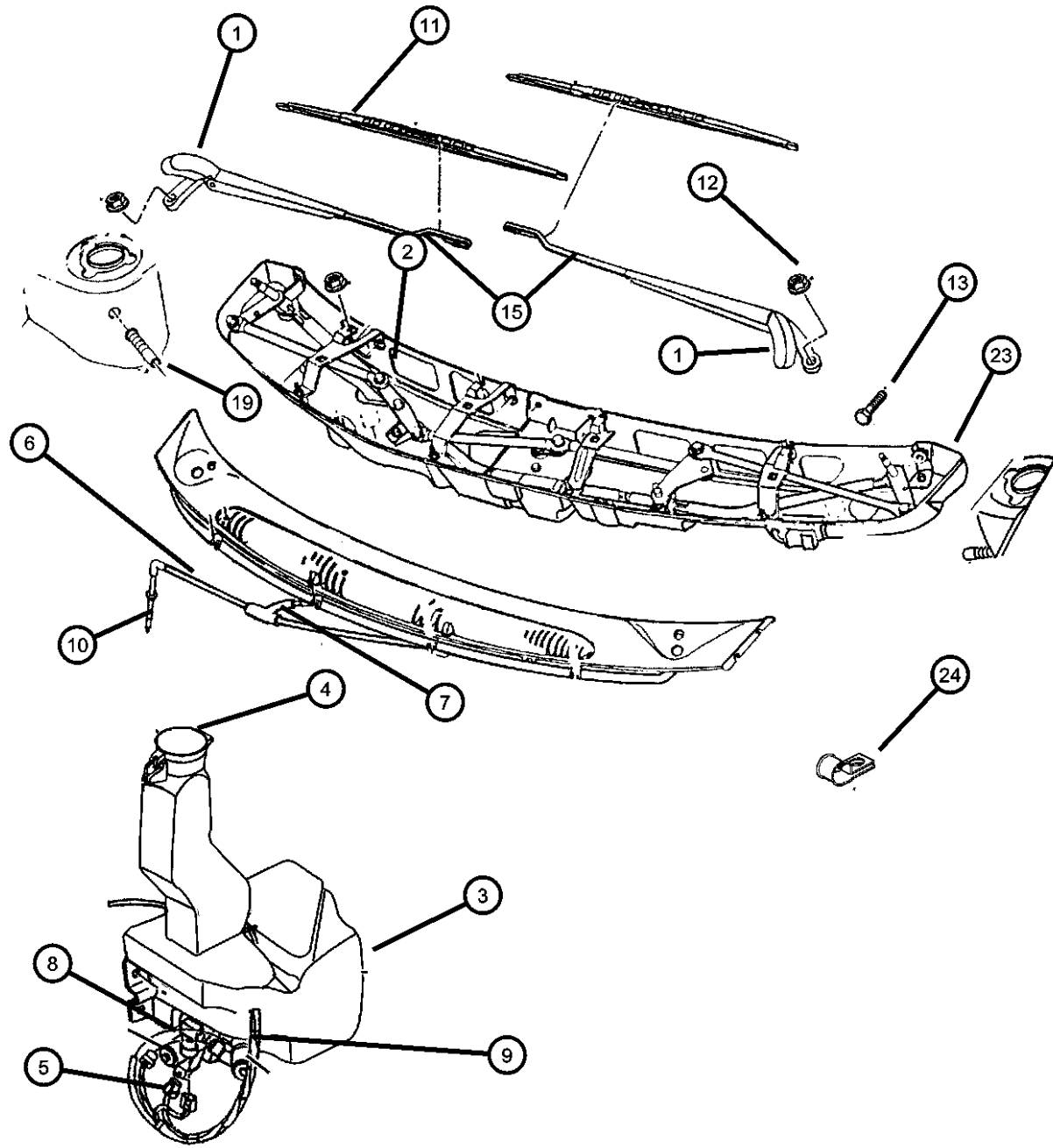
Lock Cylinder And Keys
Figure 23D-115



ITEM	PART NUMBER	QTY	LINE	SERIES	BODY	ENGINE	TRANS	TRIM	DESCRIPTION
1	04778116	1							KEY, Valet
2	04778115	1							KEY, Blank, 84 Groove
3	04746666	1							CYLINDER, Ignition Lock
4	05257132	1							TUMBLER, Ignition Number 1
-5	05257133	1							TUMBLER, Ignition Number 2
-6	05257134	1							TUMBLER, Ignition Number 3
-7	05257135	1							TUMBLER, Ignition Number 4
8	04778124	1							CYLINDER, Liftgate Lock
9	04778117	1							TUMBLER, Door and Deck Number 1, Wide
-10	04778118	1							TUMBLER, Door and Deck Number 2, Wide
-11	04778120	1							TUMBLER, Door and Deck Number 4, Wide
-12	04778119	1							TUMBLER, Door and Deck Number 3, Wide
13	04778121	1							SPRING, Door and Deck Tumbler
14									TRANSMITTER, Keyless Entry
	04686255	2							
	56007049	2							Australia Equipment Group
15									MODULE, Keyless Entry Receiver
	04686087	1							
	04686475	1							Australia Equipment Group
16	04717294	1							LEVER, Liftgate Lock Cylinder
17	06026125	1							CLIP, Retainer, E-Type, Snap
18	04717196	1							CLIP, Cylinder Retainer, U-Type
19	04717288	1							LEVER, Front Door Cylinder
20									CLIP, Latch
	04658444	1							Purple
	04658445	1							Orange
21									LINK, Key Cylinder To Latch
	04675628	1							Central Door, Right
	04675629	1							Central Door, Left
	04717088	1							Right Utility Door, w/ Fixed Glass, Right
	04717089	1							Right Utility Door, w/Fixed Glass, Left
-22	83504802	2							BATTERY, Transmitter
-23	04686720AA	2							LABEL, Transmitter

AR = use ase required - = Non illustrated part

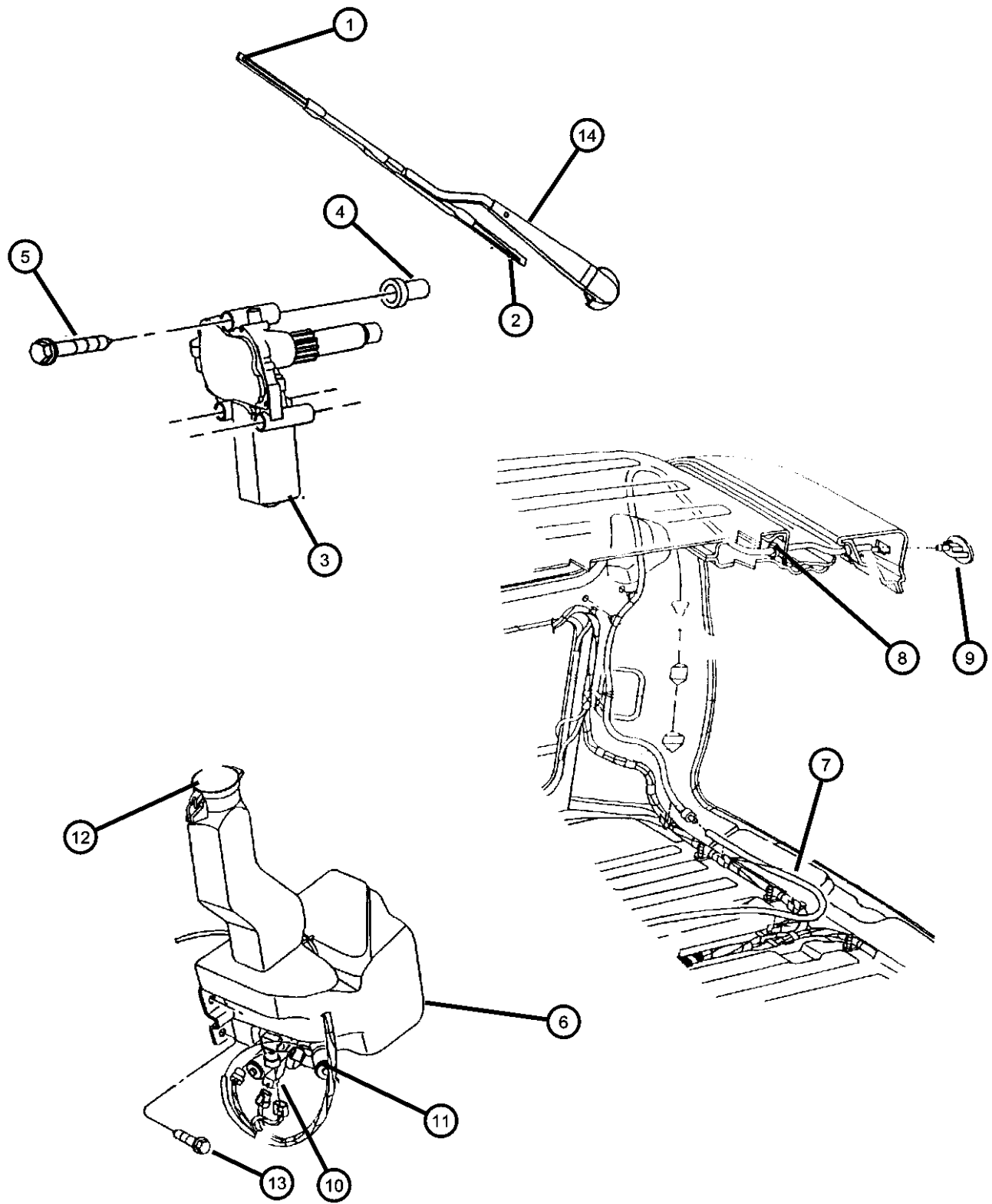
**Front Windshield Wiper And Washer
Figure 23D-240**



ITEM	PART NUMBER	QTY	LINE	SERIES	BODY	ENGINE	TRANS	TRIM	DESCRIPTION
1	04797682	1							COVER, Wiper ArmRight
2	04673005	1							LINK, Wiper
3	04797693	1							RESERVOIR, Washer
4	04797694	1							CAP, Washer Reservoir
5	04797695	1							PUMP, Washer, Windshield
6	04673019	1							HOSE, Windshield Washer
7	03671410	1	C, Y						TEE, Washer Hose
8	04334568	1							GROMMET, Washer Reservoir
9	55155039	1							SENSOR, Washer Fluid Level
10	04673014	2							NOZZLE, Washer, Windshield
11	04717349	2							BLADE, Wiper
	WB000027AE								Mopar V-Line Alternative Part
12	06503335	2							NUT, Hex, M10X1.25
13	06505226AA	6							SCREW AND WASHER, Hex Head, M8 x 1.25 x 38.00
-14	04641780	1	Y, Z						STRAP, Tie
15									ARM, Wiper
	04717364	1							Right
	04717365	1							Left
	04717444	1	U, Z						w/Australia Equip Pkg., Right
	04717445	1	U, Z						w/Australia Equip Pkg., Left
-16	04673013AA	1							MOTOR, Wiper
	R4673013								Mopar Remanufactured Part
-17	04897345AA	1							SUPPORT, Cowl Grille
-18									BRACE, Cowl Grille
	04716080	1							Driver Outboard
	04716081	1							Driver Inboard
19									TUBE, Wiper Drain Module
	04717275	1							Left
	04717372	1							Right
-20	04805010	1							CHECK VALVE, Washer
-21									BRACE, Cowl Grille Support
	04717152	1							Passenger Inboard
	04717153	1							Passenger Outboard
-22									LINK, Winshield Wiper
	04797734	1							Outboard
	04797735	1							Inboard
	04797736	1							Inboard, Diesel
23	04717437AC	1	U, Z						MODULE, Wiper
24	04682632	1							CLIP, Tube Attaching

AR = use ase required - = Non illustrated part

Rear Wiper And Washer
Figure 23D-310



ITEM	PART NUMBER	QTY	LINE	SERIES	BODY	ENGINE	TRANS	TRIM	DESCRIPTION
1	04762392	1							BLADE, Wiper
2	04762394	1							REFILL, Wiper Blade
	WB00000BAA								Mopar V-Line Alternative Part
3	04673010	1							MOTOR, Liftgate Wiper
	R4673010								Mopar Remanufactured Part
4	06503056	3							NUT, Round, M6 x 1.00
5	06502727	3							SCREW, Hex Flange Head, M6x1x60
6	04797693	1							RESERVOIR, Washer
7	04439003	1			52				HOSE, Washer And Vacuum, 50 Foot Roll 5/32"
8	04673046	1							GROMMET AND HOSE, Liftgate Washer
9	04673033	1							NOZZLE, Liftgate Washer
10	55155039	1							SENSOR, Washer Fluid Level
11	04797695	1							PUMP, Washer, Windshield
12	04797694	1							CAP, Washer Reservoir
13	06035014	2							SCREW, Hex Flange Head Tapping, .25-14x.75
14	04797716	1							ARM, Liftgate Wiper

AR = use ase required - = Non illustrated part

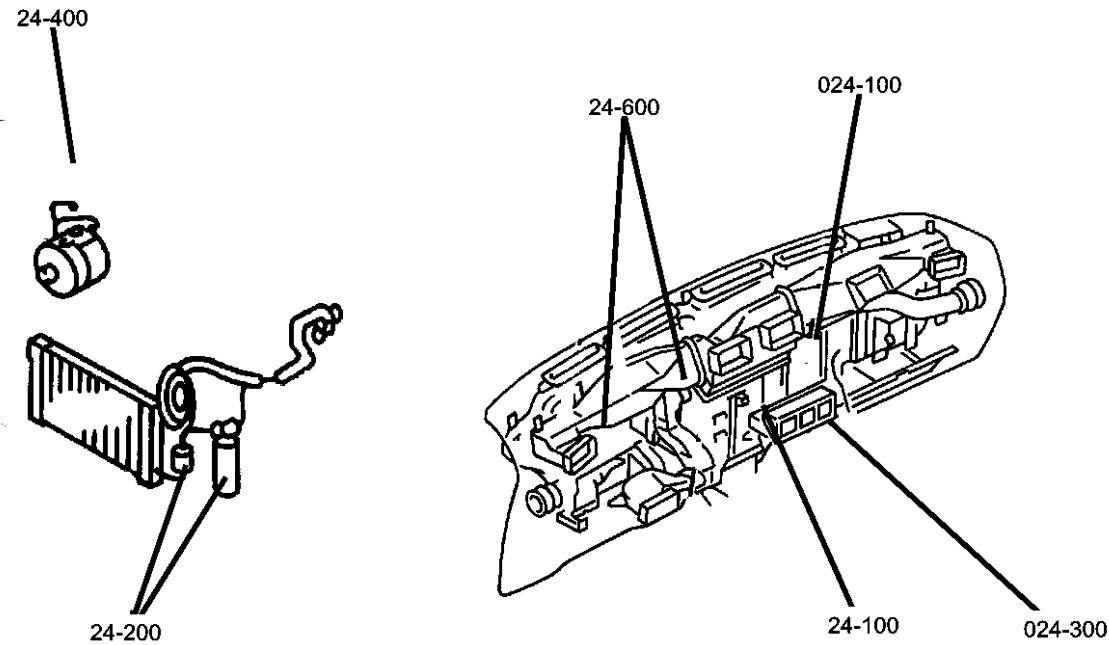
Group - 24

Air Conditioning & Heater

Group - 24 Air Conditioning & Heater

Illustration Title

Group-Fig. No.



Air Conditioner and Heater Units

Heater Unit.....	Fig. 24 - 110
Heater and A/C Unit.....	Fig. 24 - 120
Heater and A/C Unit, Zone.....	Fig. 24 - 130
Heater and A/C Unit, Rear.....	Fig. 24 - 140
Heater and Air Conditioning Unit, RHD.....	Fig. 24 - 150

Air Conditioner and Heater Plumbing

Plumbing, Heater and Air Conditioning.....	Fig. 24 - 210
Plumbing, Heater and Air Conditioning, Front.....	Fig. 24 - 230
Plumbing, Heater and Air Conditioning, Front and Rear.....	Fig. 24 - 232
Plumbing, Heater, and Air Conditioning.....	Fig. 24 - 240

Air Conditioner and Heater Controls

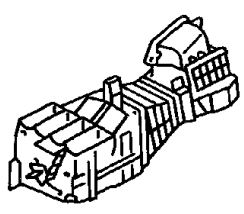
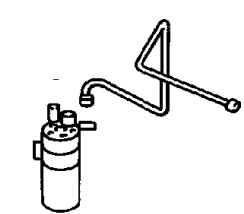
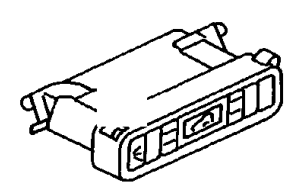
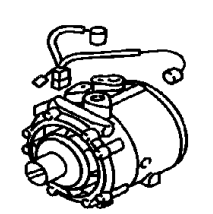
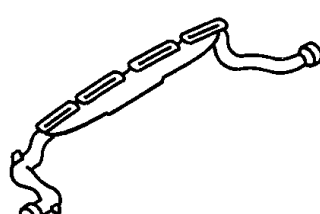
Controls, A/C and Heater.....	Fig. 24 - 310
-------------------------------	---------------

Air Conditioning Compressor

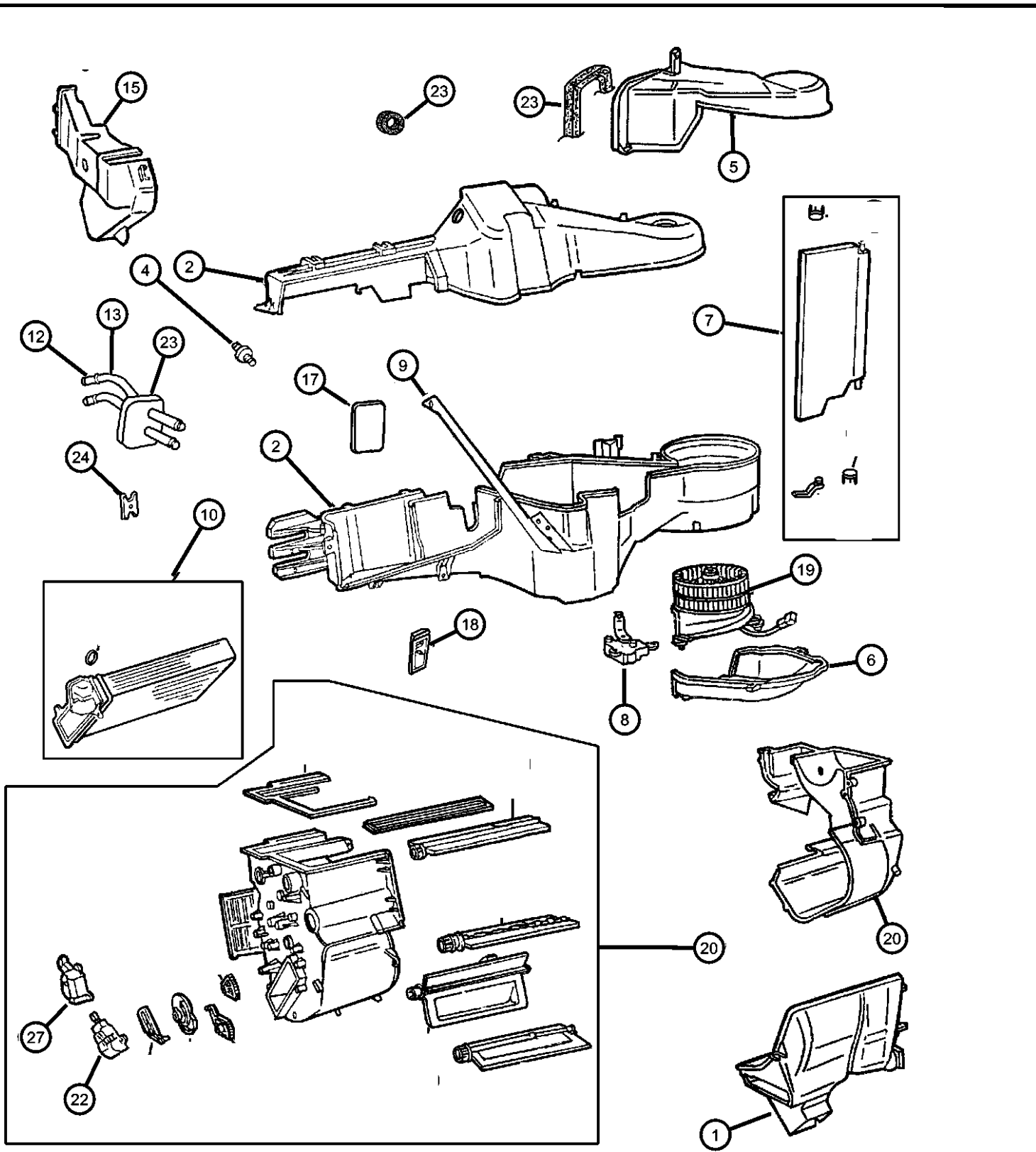
Compressor and Mounting.....	Fig. 24 - 410
Compressor and Mounting, 2.5L Diesel Engine.....	Fig. 24 - 420

Air Ducts and Outlets

Ducts and Outlets, Front.....	Fig. 24 - 610
Ducts and Outlets, Rear.....	Fig. 24 - 620

<p>024-100 Air Conditioner and Heater Units</p> 	<p>024-200 Air Conditioner and Heater Plumbing</p> 	<p>024-300 Air Conditioner and Heater Controls</p> 	<p>024-400 Air Conditioning Compressor</p> 
<p>024-600 Air Ducts and Outlets</p> 			

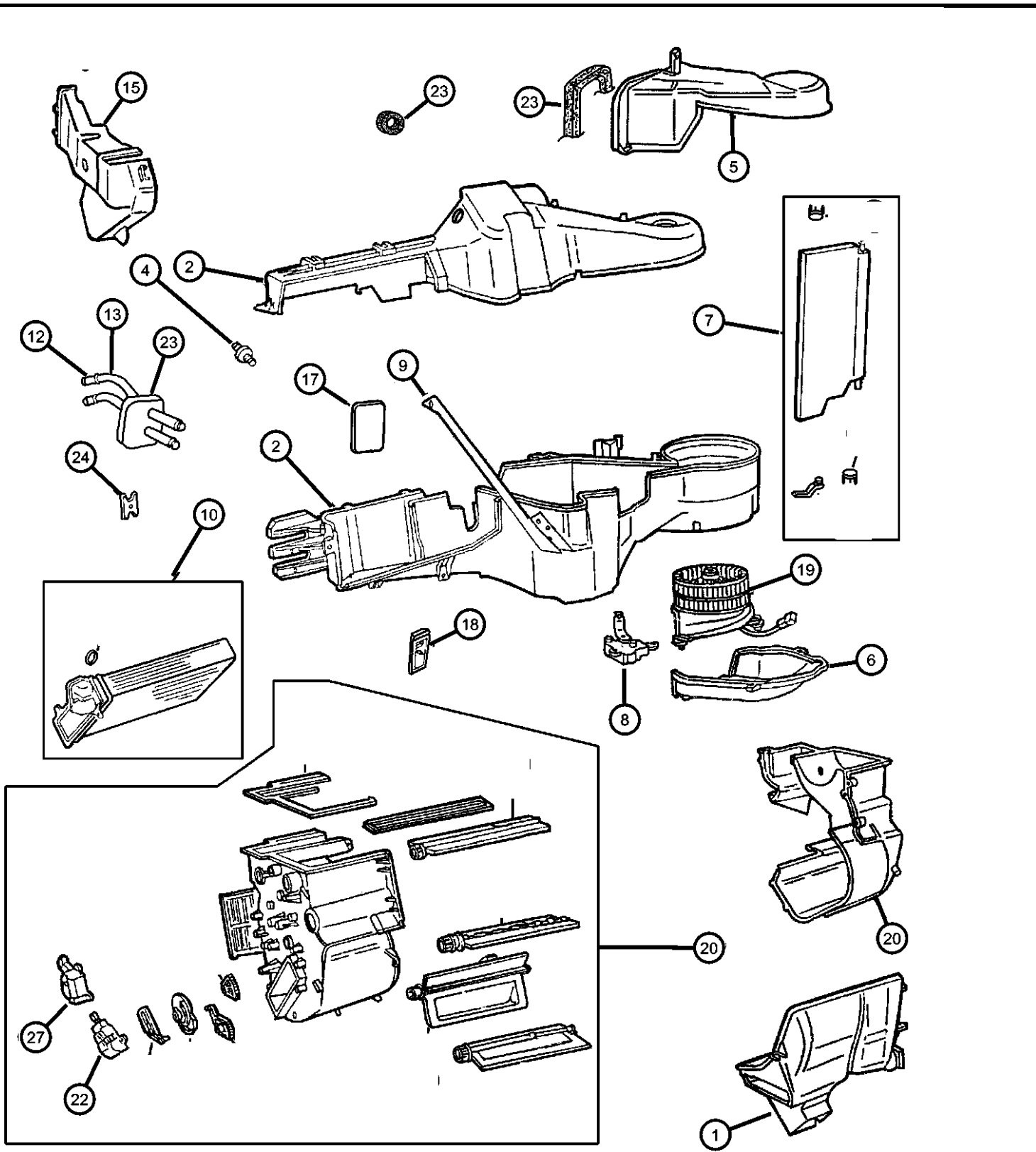
Heater Unit
Figure 24-110



ITEM	PART NUMBER	QTY	LINE	SERIES	BODY	ENGINE	TRANS	TRIM	DESCRIPTION
1	04677221	1	C, Y						DUCT, Floor Distribution
	04677245AB	1	U, Z						
2	04882232	1	C, Y						HOUSING, Blower Motor, Contains: Stud, Seal, Screw, U-Nut, Clip
	04883583AA	1	U, Z						
-3	04644388	1							CLIP, A/C Heater Housing
4									STUD, A/C Heater Housing
	04734392	3	C, Y						
		3	U, Z						
5									COVER, Air Inlet Upper
	04882299	1	C, Y						
	04883584AA	1	U, Z						
6									COVER, Air Inlet Lower
	04882300	1	C, Y						
	04883585AA	1	U, Z						
7	04734025	1							DOOR, Recirculation
8									ACTUATOR, Recirculation Door
	04734225	1	U, Z						
	04734225AB	1	C, Y						
9									STRAP, A/C Unit Mounting
	04734226	1	C, Y						
	04883589AA	1	U, Z						
10									CORE, Heater
	04882347	1	C, Y						
	04883590AA	1	U, Z						
-11									O RING, Heater Core
	04734362	2	C, Y						
		2	U, Z						
12	04882340	1	C, Y						TUBE AND PLATE, Heater Core
13									TUBE, Heater Core
	04734365	AR							
	04883591AA	1	U, Z						
-14	04734724	1							TUBE, A/C Radio Cooling
15									COVER, Heater Core Tubes
	04883592AA	1	U, Z						
	05003374AA	1	C, Y						
-16									NUT, U, M6x1
	06101308	1	U, Z						
		1	C, Y						

AR = use ase required - = Non illustrated part

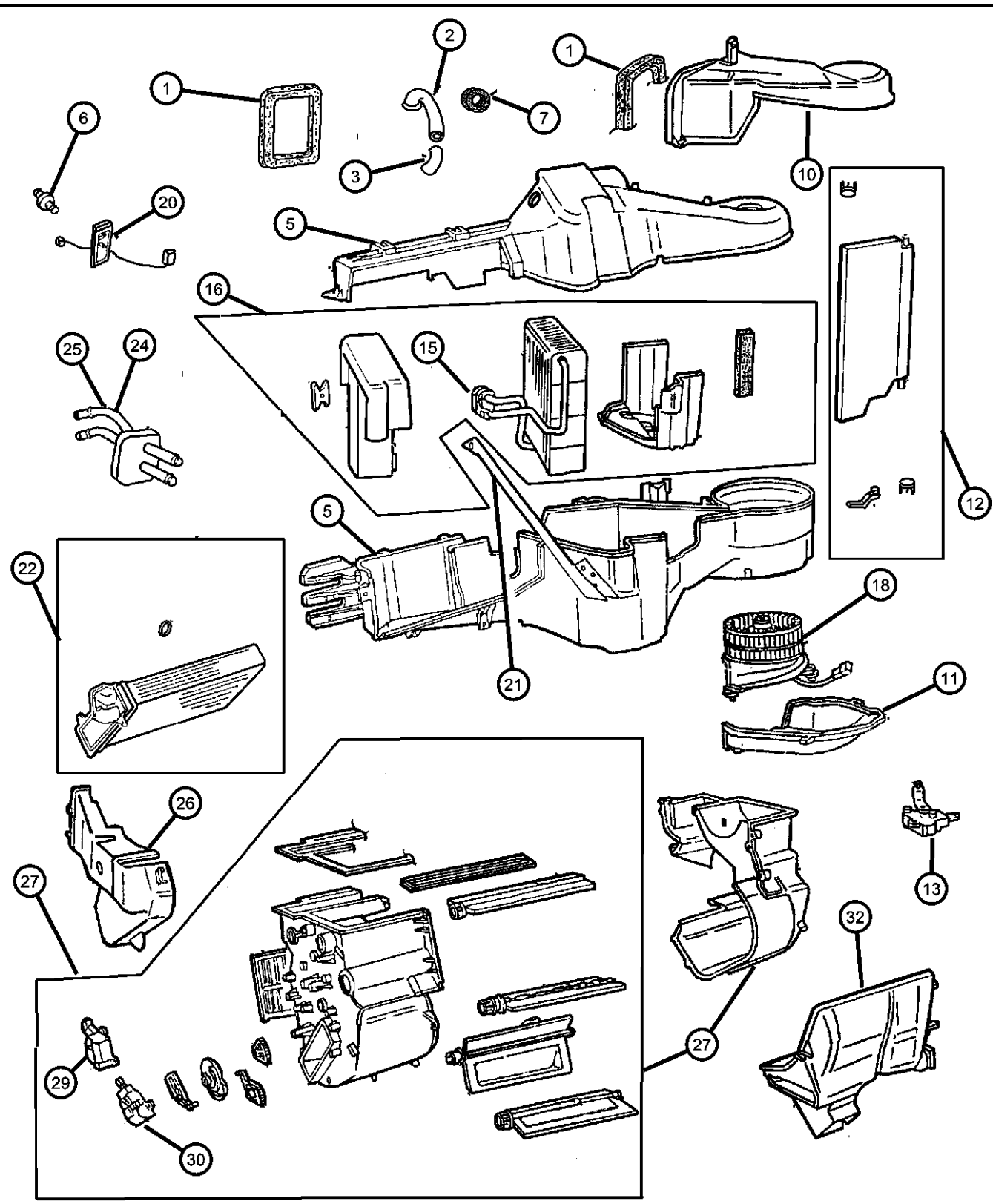
Heater Unit
Figure 24-110



ITEM	PART NUMBER	QTY	LINE	SERIES	BODY	ENGINE	TRANS	TRIM	DESCRIPTION
17									SEAL, Evaporator Tube, Serviced in Item #2
	04734110	1	C						
		1	U, Z						
18	04734034	1							GROMMET
19									MOTOR, Blower with Wheel
	04882339	1	C, Y						
	04883588AA	1	U, Z						
20									HOUSING, Distribution
	04882233	1	C, Y						
	04883593AA	1	U, Z						
-21	04734084	1							WIRING, Heater and A/C
22									ACTUATOR, Mode Control
	04734047	1	U, Z						
		1	C, Y						
23									SEAL KIT, A/C And Heater Unit
	04882294	1	C, Y						
	04883595AA	1	U, Z						
24	04734125	1							PLATE, Clamp, Serviced in Evaporator Assy.
-25									SEAL, Air Conditioning Unit
	04734671	3	U, Z						
		3	C, Y						
-26									HARNES, Air Conditioning Control
	04882345	1	C, Y						
	04883594AA	1	U, Z						
27									ACTUATOR, Blend Door
	04734058	1	U, Z						
		1	C, Y						
-28	06503992	1							SCREW AND WASHER, Hex Head, M6x1x30, Unit Support
-29	06503992	1							SCREW AND WASHER, Hex Head, M6x1x30, Housing

AR = use ase required - = Non illustrated part

Heater and A/C Unit
Figure 24-120



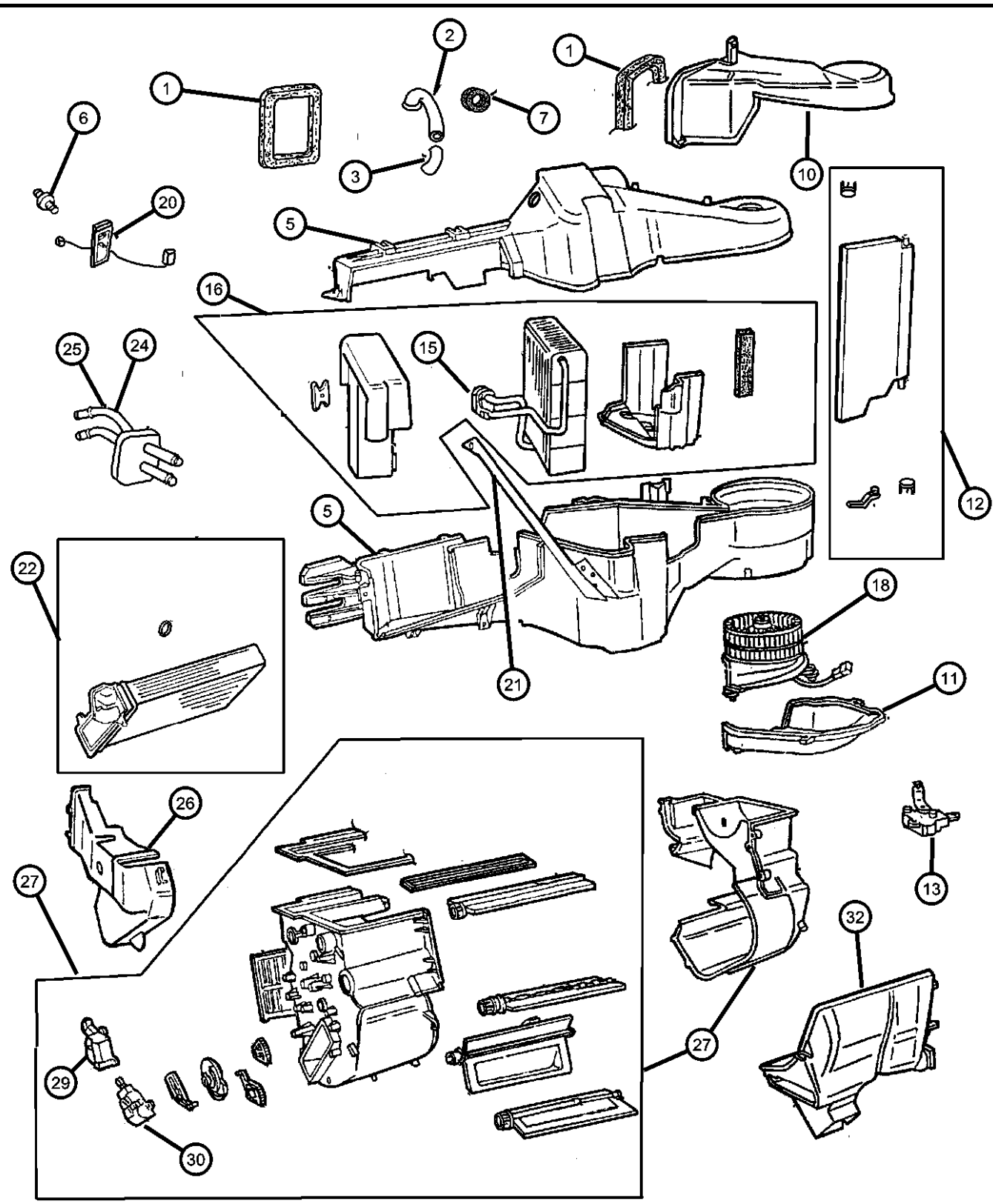
ITEM	PART NUMBER	QTY	LINE	SERIES	BODY	ENGINE	TRANS	TRIM	DESCRIPTION
------	-------------	-----	------	--------	------	--------	-------	------	-------------

NOTE:
Sales Code
EGO = ENGINES - ALL 3.3L, 3.5L, & 3.8
EDZ = ENGINE - 2.4L 4 CYL DOHC 16V
ECB = ENGINE - 2.0L 4 CYL SOHC 16V
EDZ = ENGINE - 2.4L 4 CYL DOHC 16V
EGA = ENGINE - 3.3L V6 MPI
EGH = ENGINE - 3.8L V6 MPI
ENC = ENGINE - 2.5L 4 CYL TURBO DIES

1	04734370	1							SEAL KIT, A/C And Heater Unit
2	04882296	1	C, Y						TUBE, A/C Radio Cooling
	04883582AA	1	U, Z						
3	04734723	1							NOZZLE, Radio Cooling
-4	04734364	1	U, Z						SCREW, Heater Core Mounting
5	04882232	1	C, Y						HOUSING, Blower Motor, Contains: Stud, Seal, Screw, U-Nut, Clip
	04883583AA	1	U, Z						
6	04734392	3	C, Y						STUD, A/C Heater Housing
		3	U, Z						
7	04882294	1	C, Y						SEAL KIT, A/C And Heater Unit
	04883595AA	1	U, Z						
-8	04682962	1			ECB, EDZ				SEAL, Air Conditioning Unit Right
		1			EG0				Right
-9	04809135AA	1			EGA, EGH				SEAL, Radiator Side AirLeft
10	04882299	1	C, Y						COVER, Air Inlet Upper
	04883584AA	1	U, Z						
11	04882300	1	C, Y						COVER, Air Inlet Lower
	04883585AA	1	U, Z						
12	04734025	1							DOOR, RecirculationA/C
13	04734225	1	U, Z						ACTUATOR, Recirculation Door
		1	C, Y						
-14	06101308	2	U, Z						NUT, U, M6x1
	06101712	1			ECB, EDZ				

AR = use ase required - = Non illustrated part

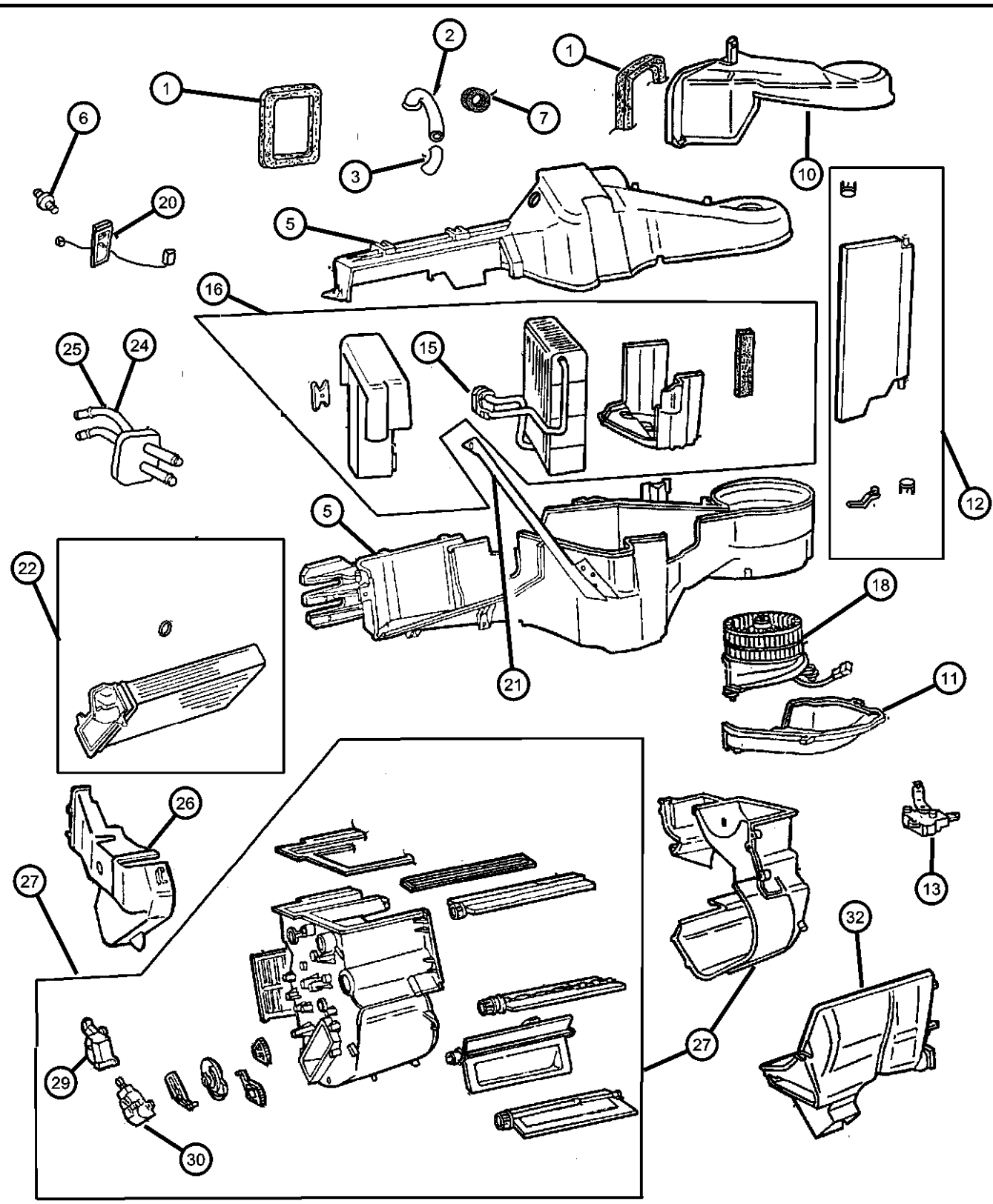
Heater and A/C Unit
Figure 24-120



ITEM	PART NUMBER	QTY	LINE	SERIES	BODY	ENGINE	TRANS	TRIM	DESCRIPTION
15	04734363	1							GROMMET, Evaporator Tubes
16	04882338	1	C, Y						EVAPORATOR, Air Conditioning
	04883587AA	1	U, Z						
-17	04734110	1	C						SEAL, Evaporator Tube
		1	U, Z						
18	04882339	1	C, Y						MOTOR, Blower with Wheel
	04883588AA	1	U, Z						
-19	04677180	1							RESISTOR, Blower Motor
20	04734033	1	U, Z						PROBE, Air Conditioning
		1	C, Y						
21	04734226	1	C, Y						STRAP, A/C Unit Mounting
	04883589AA	1	U, Z						
22	04883590AA	1	U, Z						CORE, Heater
	05003372AA	1	C, Y						
-23	04734362	2	C, Y						O RING, Heater Core
		2	U, Z						
24	04882340	1	C, Y						TUBE AND PLATE, Heater Core
25	04734365	AR							TUBE, Heater Core
	04883591AA	1	U, Z						
26	04882341	1	C, Y						COVER, Heater Core Tubes
	04883592AA	1	U, Z						
27	04882233	1	C, Y						HOUSING, Distribution
	04883593AA	1	U, Z						
-28	04883593AA	1							TUBE, Drain, (NOT REQUIRED)
29	04734058	1	U, Z						ACTUATOR, Blend Door
		1	C, Y						
30	04734047	1	U, Z						ACTUATOR, Mode Control
		1	C, Y						

AR = use ase required - = Non illustrated part

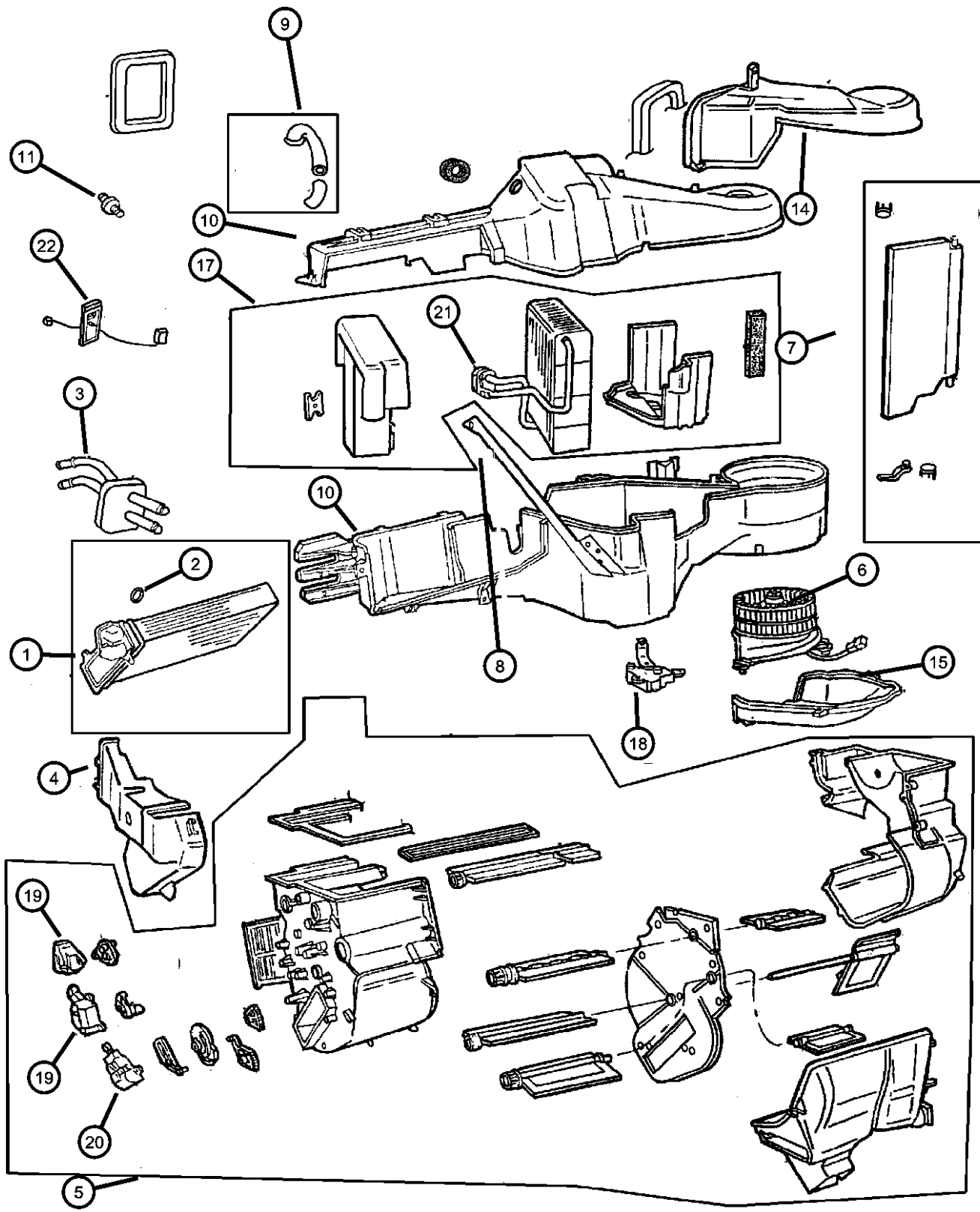
Heater and A/C Unit
Figure 24-120



ITEM	PART NUMBER	QTY	LINE	SERIES	BODY	ENGINE	TRANS	TRIM	DESCRIPTION
-31									HARNES, Air Conditioning Control
	04882345	1	C, Y						
	04883594AA	1	U, Z						
32									DUCT, Floor Distribution
	04677245	1	U, Z						
	04677368	1	C, Y						
-33									DECAL, A/C System Specifiation
	04677229	1							
	04677376	1						ENC	

AR = use ase required - = Non illustrated part

Heater and A/C Unit, Zone
Figure 24-130



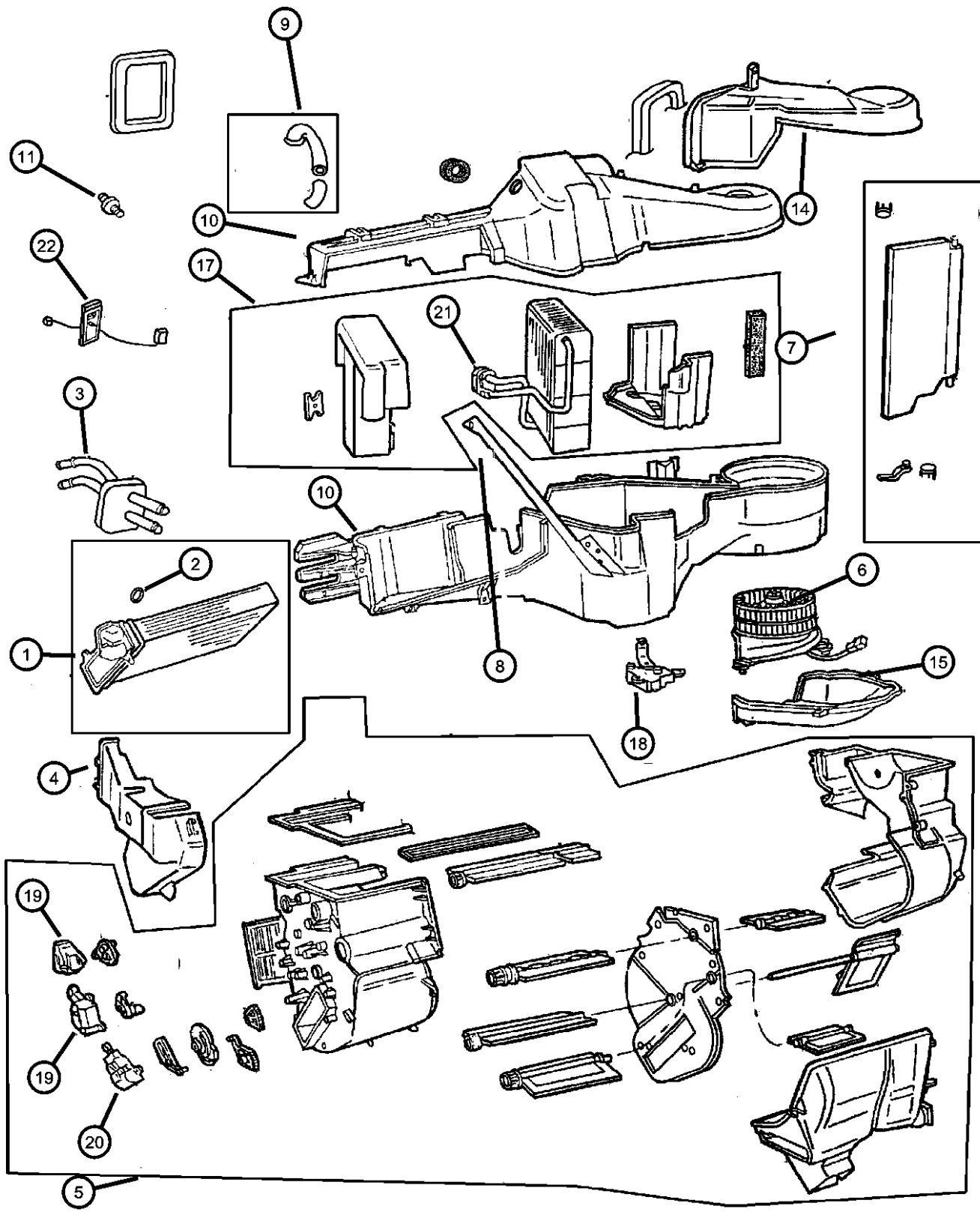
ITEM	PART NUMBER	QTY	LINE	SERIES	BODY	ENGINE	TRANS	TRIM	DESCRIPTION
------	-------------	-----	------	--------	------	--------	-------	------	-------------

NOTE:
Sales Code
EGO =ENGINES - ALL 3.3L,3.5L, & 3.8
EDZ = ENGINE - 2.4L 4 CYL DOHC 16V
ECB = ENGINE - 2.0L 4 CYL SOHC 16V S ECB
EGA =ENGINE - 3.3L V6 MPI
EGH =ENGINE - 3.8L V6 MPI

1									CORE, Heater, w/O-Ring, Seal and Screw
	04882347	1			C, Y				
	04883590AA	1			U, Z				
2									O RING, Heater Core
	04734362	2			C, Y				
		2			U, Z				
3	04882340	1			C, Y				TUBE AND PLATE, Heater Core COVER, Heater Core Tubes
4									
	04882341	1			C, Y				
	04883592AA	1			U, Z				
5									HOUSING, Distribution
	04882235	1			C, Y				
	04883593AA	1			U, Z				
6									MOTOR, Blower with Wheel
	04882339	1			C, Y				
	04883588AA	1			U, Z				
7	04734025	1							DOOR, Recirculation
8									STRAP, A/C Unit Mounting
	04734226	1			C, Y				
	04883589AA	1			U, Z				
9	04734724	1							TUBE, A/C Radio Cooling
10									HOUSING, Blower Motor
	04882232	1			C, Y				
	04883583AA	1			U, Z				
11									STUD, A/C Heater Housing
	04734392	3			C, Y				
		3			U, Z				
-12									SEAL, Air Conditioning Unit, Unit to Dash
	04682961	1				EGO			
	04682962	1				EDZ, EGA, EGH ECB, EDZ			
		1							
	04734671	3			U, Z				
-13	06101308	2			U, Z				NUT, U, M6x1
14									COVER, Air Inlet Upper

AR = use ase required - = Non illustrated part

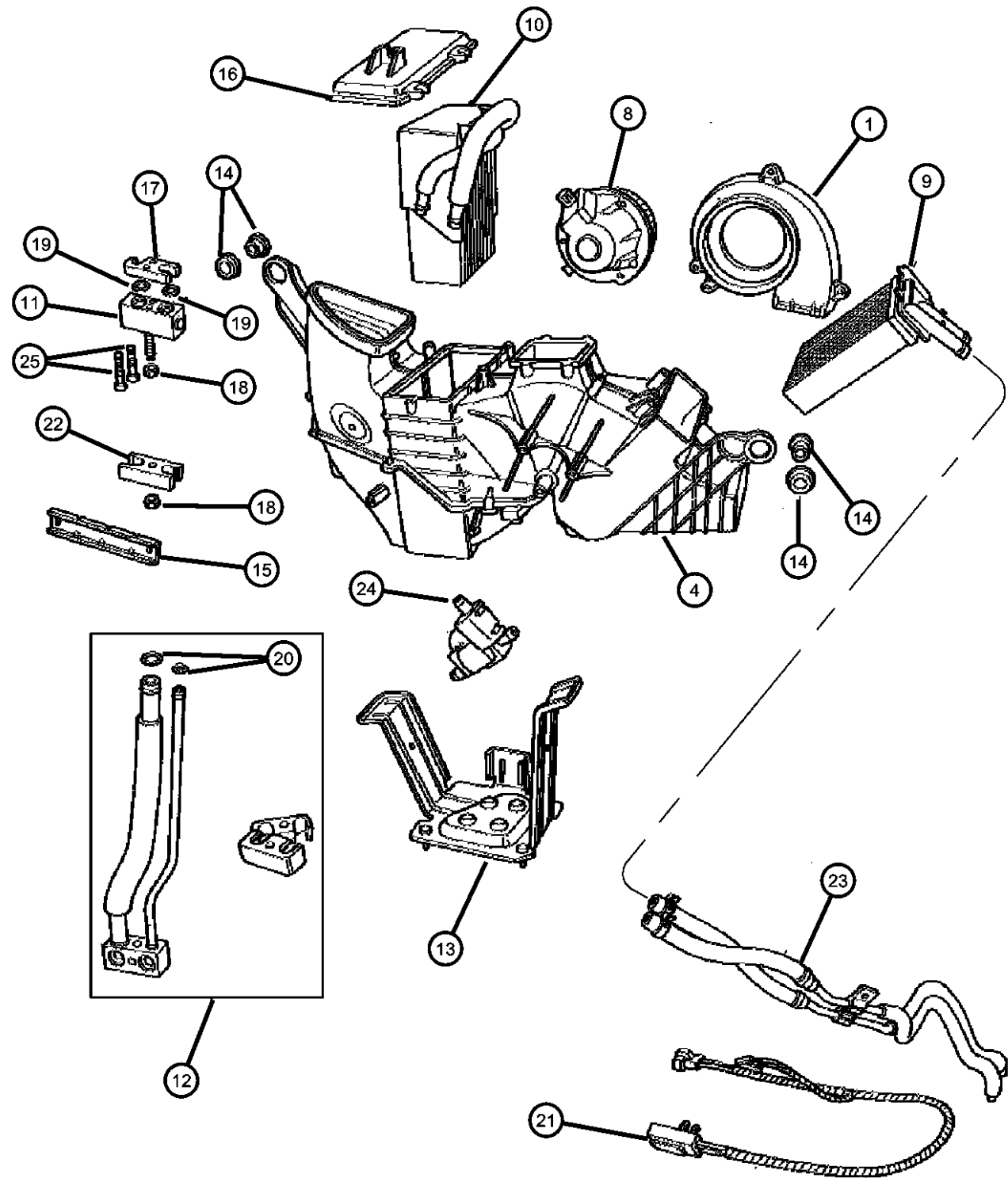
Heater and A/C Unit, Zone
Figure 24-130



ITEM	PART NUMBER	QTY	LINE	SERIES	BODY	ENGINE	TRANS	TRIM	DESCRIPTION
	04882299	1	C, Y						
	04883584AA	1	U, Z						
15									COVER, Air Inlet Lower
	04882300	1	C, Y						
	04883585AA	1	U, Z						
-16									HARNES, Air Conditioning Control
	04882344	1	C, Y						
	04883594AA	1	U, Z						
17									EVAPORATOR, Air Conditioning
	04882338	1	C, Y						
	04883587AA	1	U, Z						
18									ACTUATOR, Recirculation Door
	04734225	1	U, Z						
	04734225AB	1	C, Y						
19	04734058AB	1	C, Y						ACTUATOR, Blend Door
20									ACTUATOR, Mode Control
	04734047	1	U, Z						
	04734047AB	1	C, Y						
21	04734363	1							GROMMET, Evaporator Tubes, Serviced in Evaporator Assy.
22									PROBE, Air Conditioning
	04734033	1	U, Z						
		1	C, Y						
-23									SEAL KIT, A/C And Heater Unit
	04882294	1	C, Y						
	04883595AA	1	U, Z						
-24	04734080	1	C, Y						COVER, Center Distribution

AR = use ase required - = Non illustrated part

Heater and A/C Unit, Rear
Figure 24-140



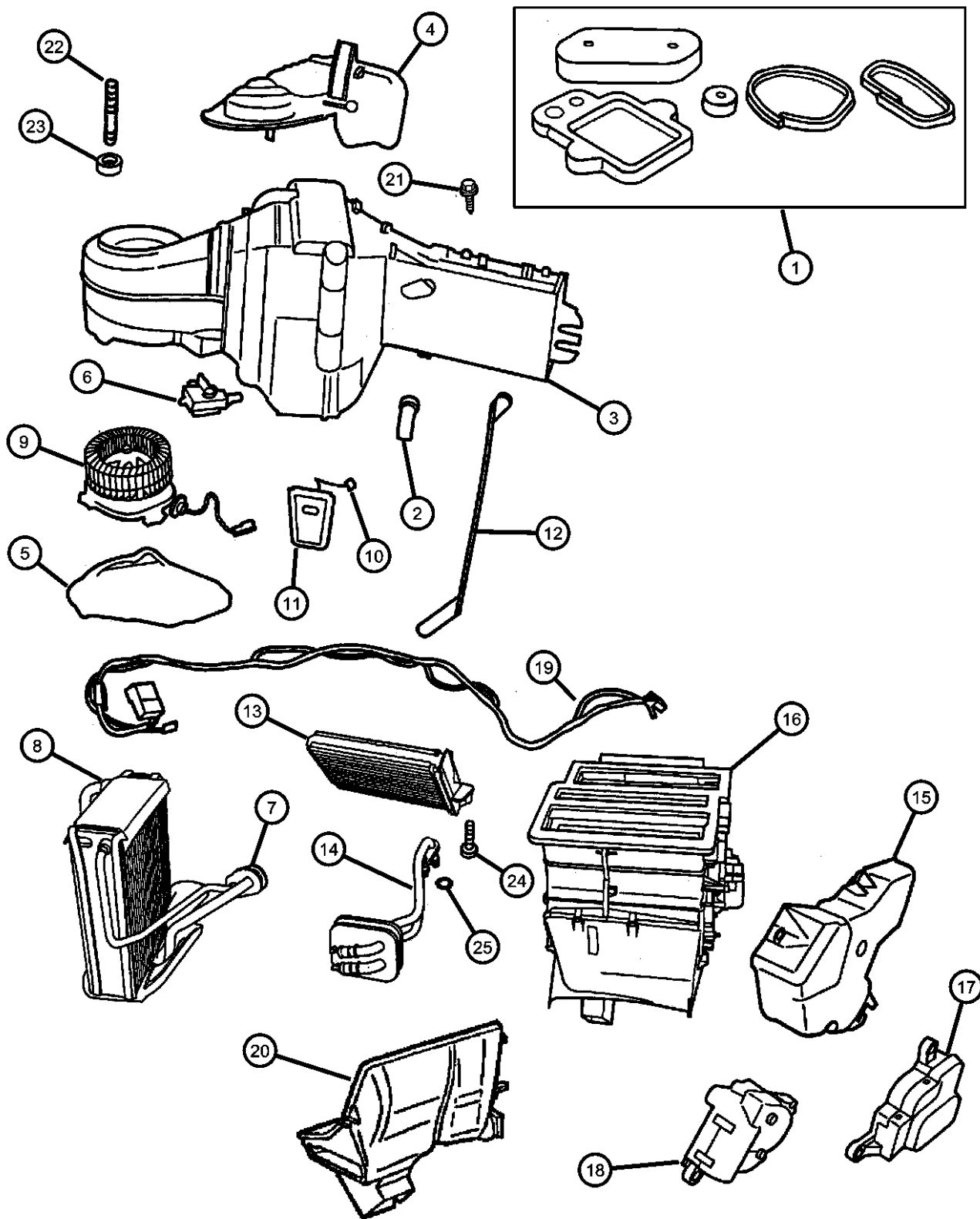
ITEM	PART NUMBER	QTY	LINE	SERIES	BODY	ENGINE	TRANS	TRIM	DESCRIPTION
------	-------------	-----	------	--------	------	--------	-------	------	-------------

NOTE:
Sales Code
EG0 = ALL 3.3L, 3.5L, & 3.8
EGA = ENGINE - 3.3L V6 MPI
EGH = ENGINE - 3.8L V6 MPI
EFA = ENGINE - 3.0L V6 MPI

1	04798699	1							HOUSING, Blower Motor
-2	04798716	1							SCREW, Blower Motor Housing
-3	06504516	3							NUT AND WASHER, M6x1.00, Unit Mounting
4	04798676	1							HOUSING, A/C And Heater
-5	04644388	1							CLIP, A/C Heater Housing
-6	04644388	1							LINNER, Evaporator, Serviced in Housing #2, (NOT SERVICED)
-7	04798687	1							SCREW, Rear Housing Attaching
8	04798680	1							MOTOR, Blower with Wheel
9	04798717	1							CORE, Heater
10	04798681	1							EVAPORATOR, Air Conditioning
	V9900003								Mopar V-Line Alternative Part
	V9900006								Mopar V-Line Alternative Part
11	04798682	1							VALVE, A/C Expansion
12	04798704	1							EXTENSION, A/C Evaporator
13	04798706	1							BRACKET AND SEAL, Auxiliary A/C and Heater
14	04886013AA	1							GROMMET AND SPACER, Auxiliary A/C and Heater
15	04798712	1							BRACKET, H Valve
16	04856936	1							COVER, Evaporator Housing
17	04734125	1							PLATE, Clamp, Serviced in Evaporator Assy.
18	06100499	2							NUT, Hex, M8x1.25
19	04734123	1							O RING, A/C Suction Line, 3/4 inch
20	04734124	1							O RING, A/C Liquid Line, 1/2 inch
21	04707410	1							WIRING, Auxiliary Heat and A/C
22	04798683	1							PLATE, Extention
23	04882938AB	1				EG0			HOSE, Auxiliary Heater
24	04734026	1							ACTUATOR, Mode Control
25	04734122	2							SCREW, Expansion Valve Mounting

AR = use ase required - = Non illustrated part

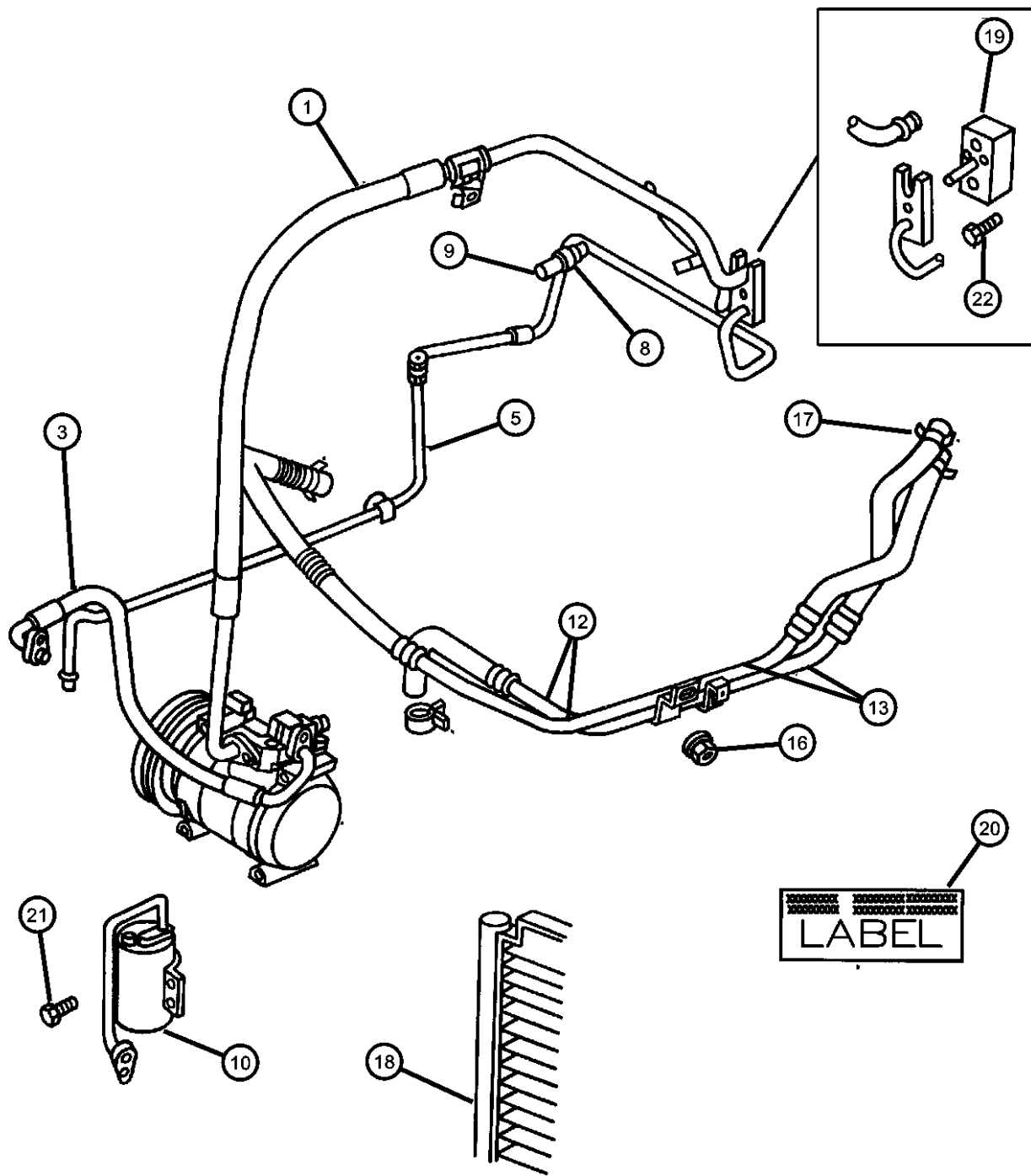
Heater and Air Conditioning Unit, RHD
Figure 24-150



ITEM	PART NUMBER	QTY	LINE	SERIES	BODY	ENGINE	TRANS	TRIM	DESCRIPTION
1	04883595AA	1	U, Z						SEAL KIT, A/C And Heater Unit
2	04883582AA	1	U, Z						TUBE, A/C Radio Cooling
3	04883583AA	1	U, Z						HOUSING, Blower Motor
4	04883584AA	1	U, Z						COVER, Air Inlet Upper
5	04883585AA	1	U, Z						COVER, Air Inlet Lower
6	04734225	1	U, Z						ACTUATOR, Recirculation Door
7	04734363	1	U, Z						GROMMET, Evaporator Tubes
8	04883587AA	1	U, Z						EVAPORATOR, Air Conditioning
9	04883588AA	1	U, Z						MOTOR, Blower with Wheel
10	04734033	1	U, Z						PROBE, Air Conditioning
11	04734034	1	U, Z						GROMMET
12	04883589AA	1	U, Z						STRAP, A/C Unit Mounting
13	04883590AA	1	U, Z						CORE, Heater
14	04883591AA	1	U, Z						TUBE, Heater Core
15	04883592AA	1	U, Z						COVER, Heater Core Tubes
16	04883593AA	1	U, Z						HOUSING, Distribution
17	04734058	1	U, Z						ACTUATOR, Blend Door
18	04734047	1	U, Z						ACTUATOR, Mode Control
19	04883594AA	1	U, Z						HARNES, Air Conditioning Control
20	04677245AB	1	U, Z						DUCT, Floor Distribution
21	04734227	64	U, Z						SCREW, Hex Head, M4.8-1.59x19
22	04734392	1	U, Z						STUD, A/C Heater Housing
23	04734671	1	U, Z						SEAL, Air Conditioning Unit
24	04734364	1	U, Z						SCREW, Heater Core Mounting
25	04734362	1	U, Z						O RING, Heater Core

AR = use ase required - = Non illustrated part

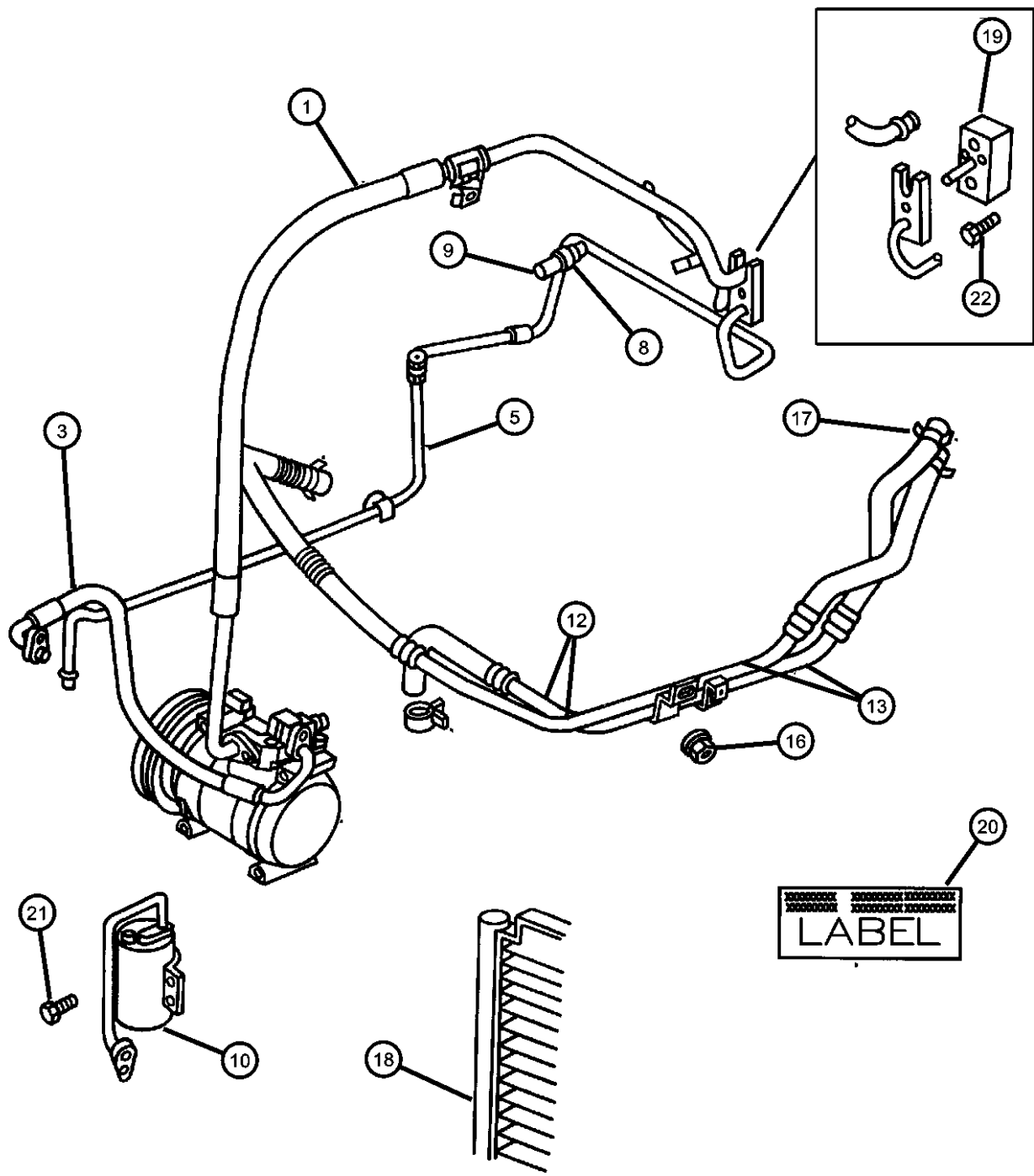
Plumbing, Heater and Air Conditioning
Figure 24-210



ITEM	PART NUMBER	QTY	LINE	SERIES	BODY	ENGINE	TRANS	TRIM	DESCRIPTION
Sales Code ECB = ENGINE - 2.0L 4 CYL SOHC 16V EDZ = ENGINE - 2.4L 4 CYL DOHC 16V EGO = ENGINES - ALL 3.3L, 3.5L, & 3.8 EGA = ENGINE - 3.3L V6 MPI ED0 = ENGINES - ALL 2.2, 2.5, 2.4L EGH = ENGINE - 3.8L V6 MPI									
1									LINE, A/C Suction
	04677428	1	U, Z			ECB			
	04677431	1	C, Y			ECB			
	04677469	1	C, Y			EDZ			
	04886311AA	1	C, Y			EGO			
-2									VALVE, Charging
	04882138	1	C			EDZ, EGO			
		1	U			ECB			
		1	C			ECB			
		1	Z			EGO			
3									LINE, A/C Discharge
	04677432	1				ECB			
	04677470	1				EDZ			
-4									CAP, A/C Check Valve
	05264642	1	C			EDZ, EGO			
		1	U			ECB			
		1	C			ECB			
5									LINE, A/C Liquid
	04677430	1	U, Z			ECB			
	04677433	1	C, Y			ECB			
	04796561	1	C, Y			EDZ, EGO			
-6	04883903AA	1	C, Y			EDZ, EGO			TRANSDUCER PACKAGE, A/C Pressure
-7									O RING, High Pressure
	04882139	1	C			EDZ, EGO			
		1	U			ECB			
		1	C			ECB			
8									VALVE, Charging
	04882138	1	C			EDZ, EGO			
		1	U			ECB			
		1	C			ECB			
9									CAP, A/C Check Valve
	04798259	1	U			ECB			
		1	C			ECB			
		1	C			EDZ			
10	04682592	1				ECB, EDZ			RECEIVER DRIER

AR = use ase required - = Non illustrated part

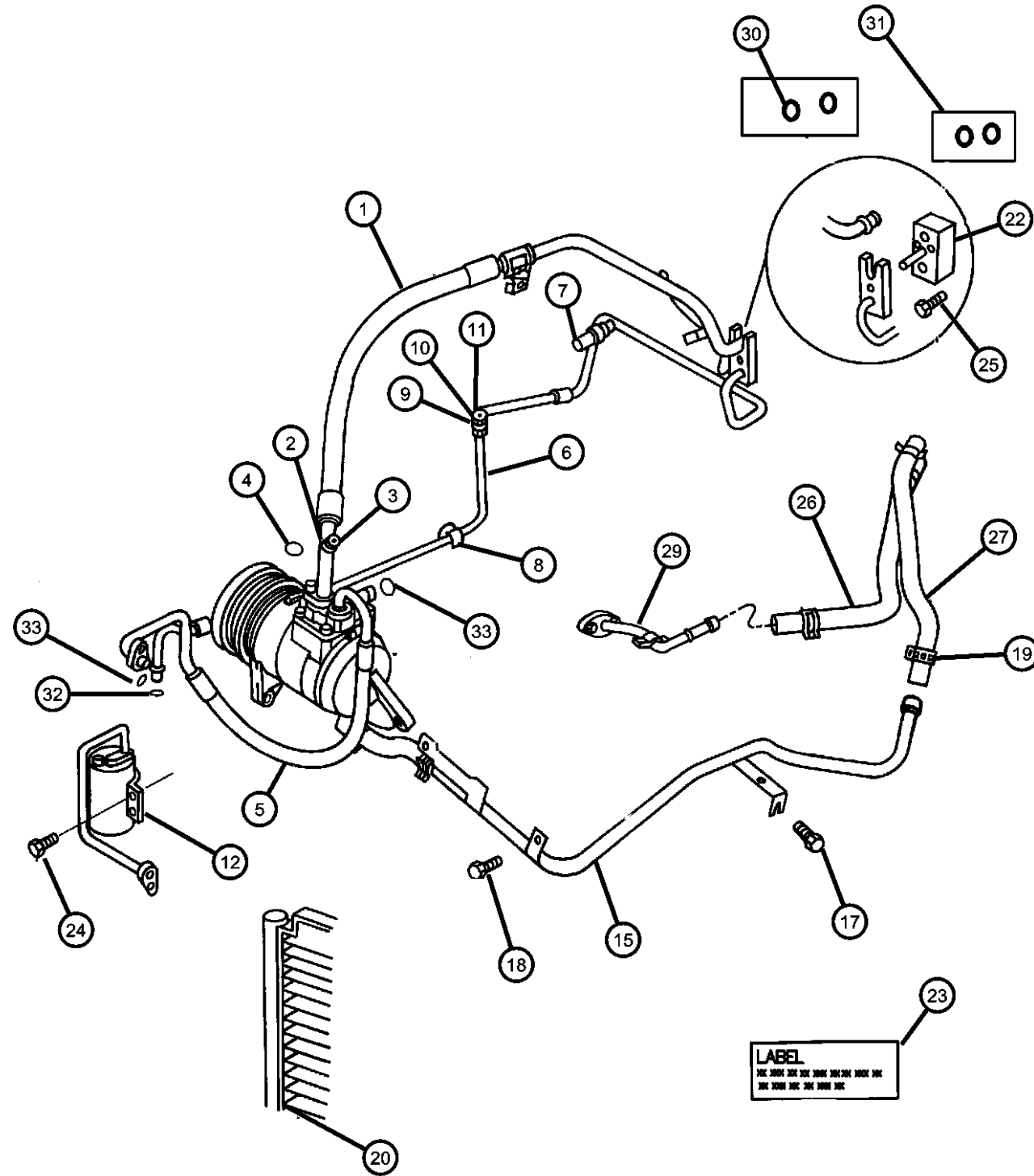
**Plumbing, Heater and Air Conditioning
Figure 24-210**



ITEM	PART NUMBER	QTY	LINE	SERIES	BODY	ENGINE	TRANS	TRIM	DESCRIPTION
-11	04734125	1							PLATE, Clamp, Serviced in Evaporator Assy.
12									HOSE AND TUBE, Heater Supply And Return
	04677450AB	1	C			EDZ			Rear A/C
	04798713	1							TUBE, Heater Hose, Supply & Return
13	05264651	1				ECB			CLAMP, Supply Hose, 26 mm Diameter
-14	06503422	5	C			EDZ			HOSE, Heater
-15									Engine to Core
	04677531	1	C, Y			ECB			Core to Pump
	04677532AB	1	C			ECB			Engine to Core
	04677533	1	Z			ECB			Core to Pump
	04677534	1	Z			ECB			NUT, Hex Flange Lock, M8x1.25
16	06101675	1				EDZ			CLAMP, Heater Hose
17	06502017	2				ED0			CONDENSER, Air Conditioning
18	04809129AA	1							VALVE, A/C Expansion
19	04734442	1							DECAL, A/C System Specification
20	04677229	1							SCREW, Dryer, M6-1.0x20
21	04682486	4				ECB, EDZ			SCREW, Expansion Valve Mounting
22	04734122	2							O RING, A/C Suction Line, 3/4 inch
-23									ECB
	04882136	1	U			ECB			ECB
		1	C			ECB			EDZ
		1	C			EDZ			O RING, A/C Liquid Line
-24									EDZ, EG0
	04882137	2	C			EDZ, EG0			ECB
		2	U			ECB			ECB
		2	C			ECB			BRACKET, Heater Tube To Block
-25	05264692	1				ECB			HOSE, Heater, Core to Pump
-26	04677532AB	1				ECB			

AR = use ase required - = Non illustrated part

Plumbing, Heater and Air Conditioning, Front
Figure 24-230



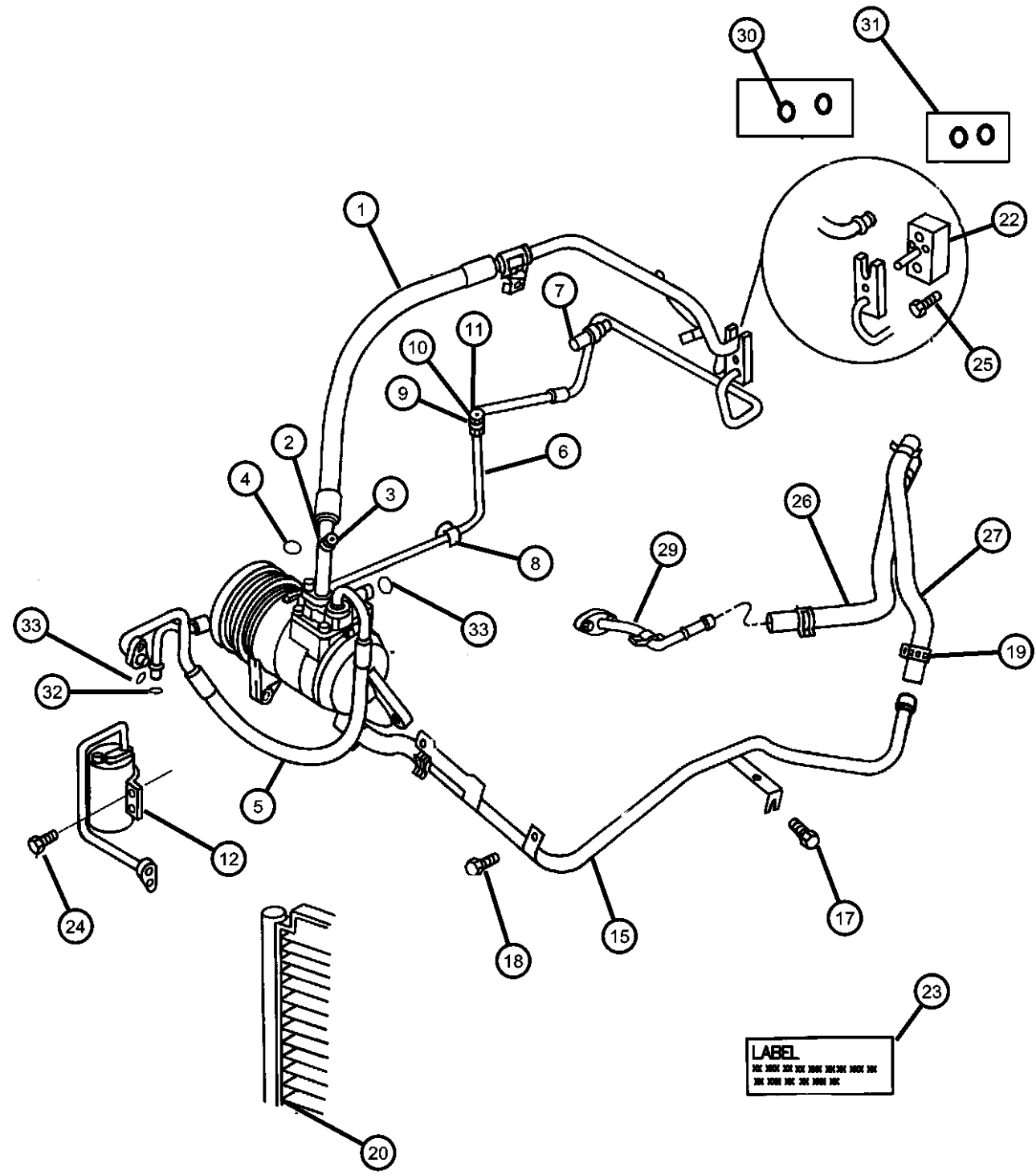
ITEM	PART NUMBER	QTY	LINE	SERIES	BODY	ENGINE	TRANS	TRIM	DESCRIPTION
------	-------------	-----	------	--------	------	--------	-------	------	-------------

NOTE:
 Sales Code
 EGO = ENGINES - ALL 3.3L, 3.5L, & 3.8
 EGA = ENGINE - 3.3L V6 MPI
 EGH = ENGINE - 3.8L V6 MPI
 EDZ = ENGINE - 2.4L 4 CYL DOHC 16V

1									LINE, A/C Suction
	04677164	1	C, Y			EG0			
	04677279	1	U, Z			EG0			
2									VALVE, Charging
	05264638	1	C, Y			EG0			
		1	Z			EG0			
3									CAP, A/C Check Valve
	04798259	1	C, Y			EG0			
		1	U, Z			EG0			
4	04734032	1							O RING, A/C Suction Line
5	04677165	1				EG0			LINE, A/C Discharge
6									LINE, A/C Liquid
	04677278	1	U, Z			EG0			
	04796561	1	C, Y			EDZ, EG0			
7	04883903AA	1	C, Y			EG0			TRANSDUCER PACKAGE, A/C Pressure
8									CLIP, A/C Liquid Line
	04856769	1	U, Z			EG0			
		1	C, Y			EG0			
9									VALVE, Charging
	05264638	1	C, Y			EG0			
		1	U, Z			EG0			
10									CAP, A/C Check Valve
	04798259	1	Z			EG0			
	05264642	1	C, Y			EG0			
11									O RING, High Pressure
	04882139	1	U, Z			EG0			
		1	C, Y			EG0			
12	04682592	1				EDZ, EGA, EGH			RECEIVER DRIER
-13	04796565	2				EG0			O RING, A/C Discharge Line, Receiver Drier to Condenser
-14	04734125	1							PLATE, Clamp, Serviced in Evaporator Assy.
15									TUBE, Heater Return, With Hose
	04677370	1	C, Y			EGA, EGH			
	04677402AB	1	U, Z			EG0			
-16	04809380	1				EG0			HOSE, Transmission Oil Cooler

AR = use ase required - = Non illustrated part

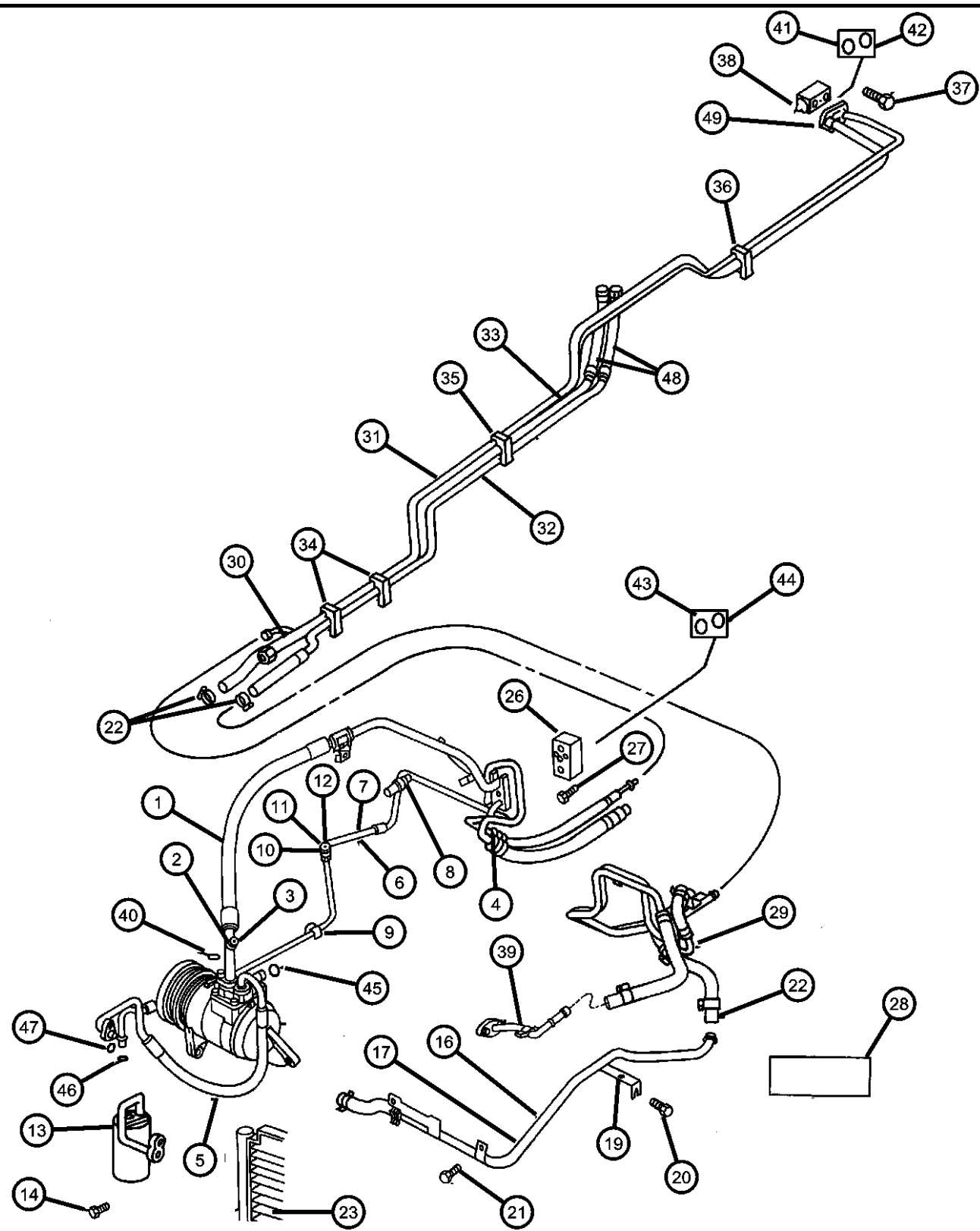
Plumbing, Heater and Air Conditioning, Front
Figure 24-230



ITEM	PART NUMBER	QTY	LINE	SERIES	BODY	ENGINE	TRANS	TRIM	DESCRIPTION
17	06500158	1				EG0			SCREW AND WASHER, Hex Head, M10x1.5x25
18	06502280	2				EG0			SCREW AND WASHER, Hex Head Special Point, M8x1.25x17
19	06502017	2				EG0			CLAMP, Heater Hose
20	04809129AA	1							CONDENSER, Air Conditioning
-21	04809148AA	1				EG0			ISOLATOR, A/C Condenser
22	04734442	1							VALVE, A/C Expansion
23	04677229	1							DECAL, A/C System Specification
24	04682486	4				EG0			SCREW, Dryer, M6-1.0x20
25	04734122	2							SCREW, Expansion Valve Mounting
26	04677421	1				EG0			HOSE, Heater, Engine to Core
27									HOSE, Heater, Core to Pump
	04677403	1	U, Z			EG0			
	04677452AB	1				EG0			
-28	04677378	1	Z			EG0			VALVE, Variable Restrictor
29									TUBE, Heater Hose
	04694132	1				EGA			
		1				EGH			
30									O RING, A/C Liquid Line
	04882137	2	C			EDZ, EG0			1/2 inch
		1	U, Z			EG0			1/2 inch
31									O RING, A/C Suction Line
	04882136	1	C, Y			EG0			3/4 inch
		1	U, Z			EG0			3/4 inch
32									O RING, A/C Liquid Line
	04882137	1	U, Z			EG0			1/2 inch
		2	C, Y			EG0			1/2 inch
33	04796565	2				EG0			O RING, A/C Discharge Line

AR = use ase required - = Non illustrated part

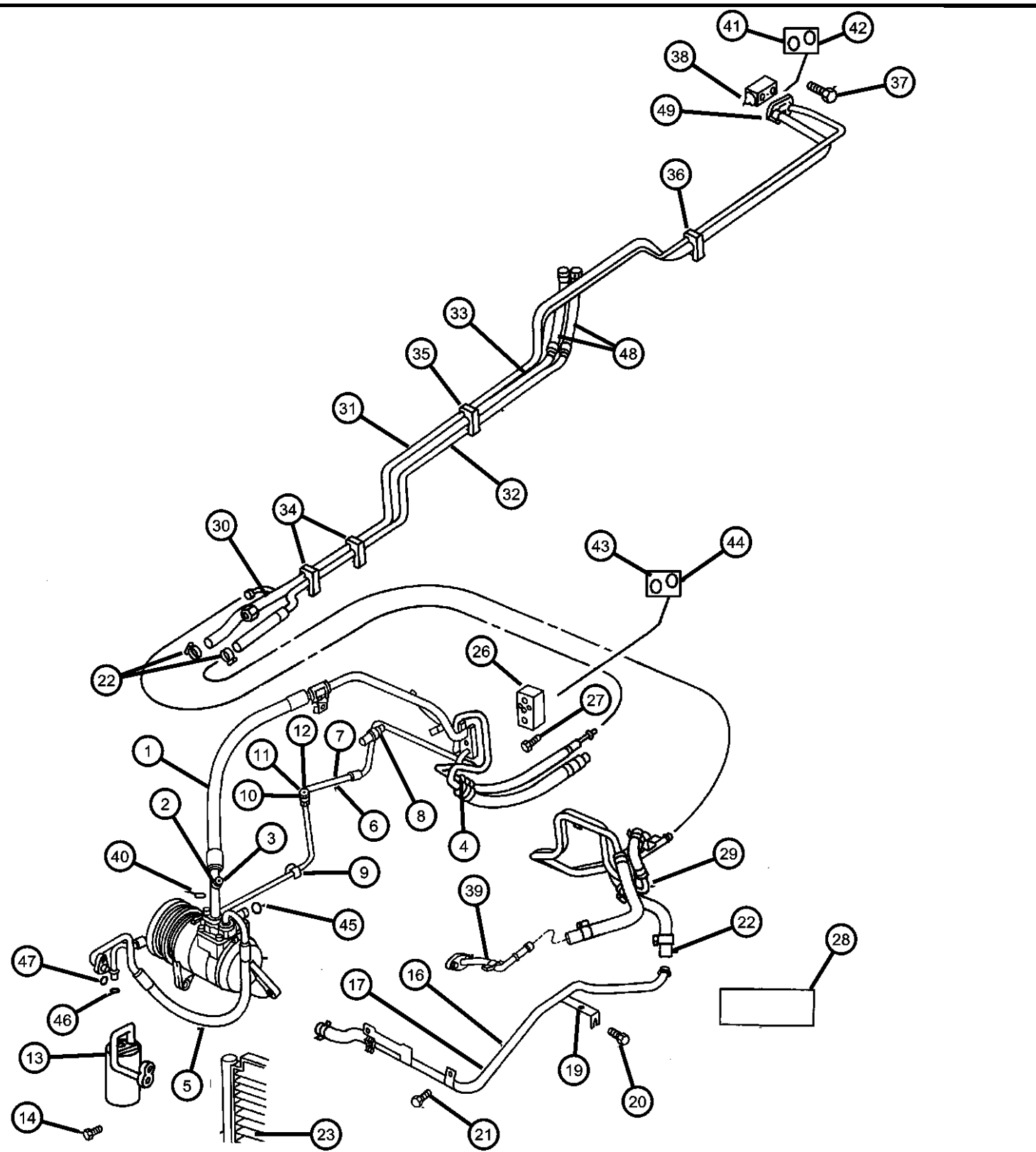
Plumbing, Heater and Air Conditioning, Front and Rear
Figure 24-232



ITEM	PART NUMBER	QTY	LINE	SERIES	BODY	ENGINE	TRANS	TRIM	DESCRIPTION
NOTE: Sales Code EGA = ENGINE - 3.3L V6 MPI EGH = ENGINE - 3.8L V6 MPI EG0 = ENGINES - ALL 3.3L, 3.5L, & 3.8 ECB = ENGINE - 2.0L 4 CYL SOHC 16V EDZ = ENGINE - 2.4L 4 CYL DOHC 16V									
1	04886312AA	1	C, Y			EG0			LINE, A/C Suction, Auxiliary A/C
2									VALVE, Charging
	05264638	1	C, Y			EG0			
		1	Z			EG0			
3									CAP, A/C Check Valve
	04798259	1	C, Y			EG0			
		1	U, Z			EG0			
4									CLIP
	04294036	2	U, Z						
	04856773	1	C, Y			EG0			
5	04677165	1				EG0			LINE, A/C Discharge
6	04883219	1	C, Y			EG0			LINE, A/C Liquid Auxiliary A/C
7	04883219	1							LINE, A/C Liquid, (NOT REQUIRED)
8									TRANSDUCER PACKAGE, A/C Pressure
	04796563	1	C			EG0			
		1	U, Z			EG0			
9									CLIP, A/C Liquid Line
	04856769	1	Z			EG0			
		1	C, Y			EG0			
10									VALVE, Charging
	04882138	1	Z			EG0			
		1	C, Y			EG0			
11									CAP, A/C Check Valve
	05264642	1	C			EDZ, EG0			
		1	C, Y			EG0			
12									O RING, High Pressure
	04882139	1	Z			EG0			
		1	C, Y			EG0			
13									RECEIVER DRIER
	04682592	1				EDZ, EGA, EGH EG0			Front, A/C
	04682623	1				EG0			Rear, A/C
14	04682486	4				EDZ, EGA, EGH			SCREW, Dryer, M6-1.0x20
-15	04734125	1							PLATE, Clamp, Serviced in Evaporator Assy.

AR = use ase required - = Non illustrated part

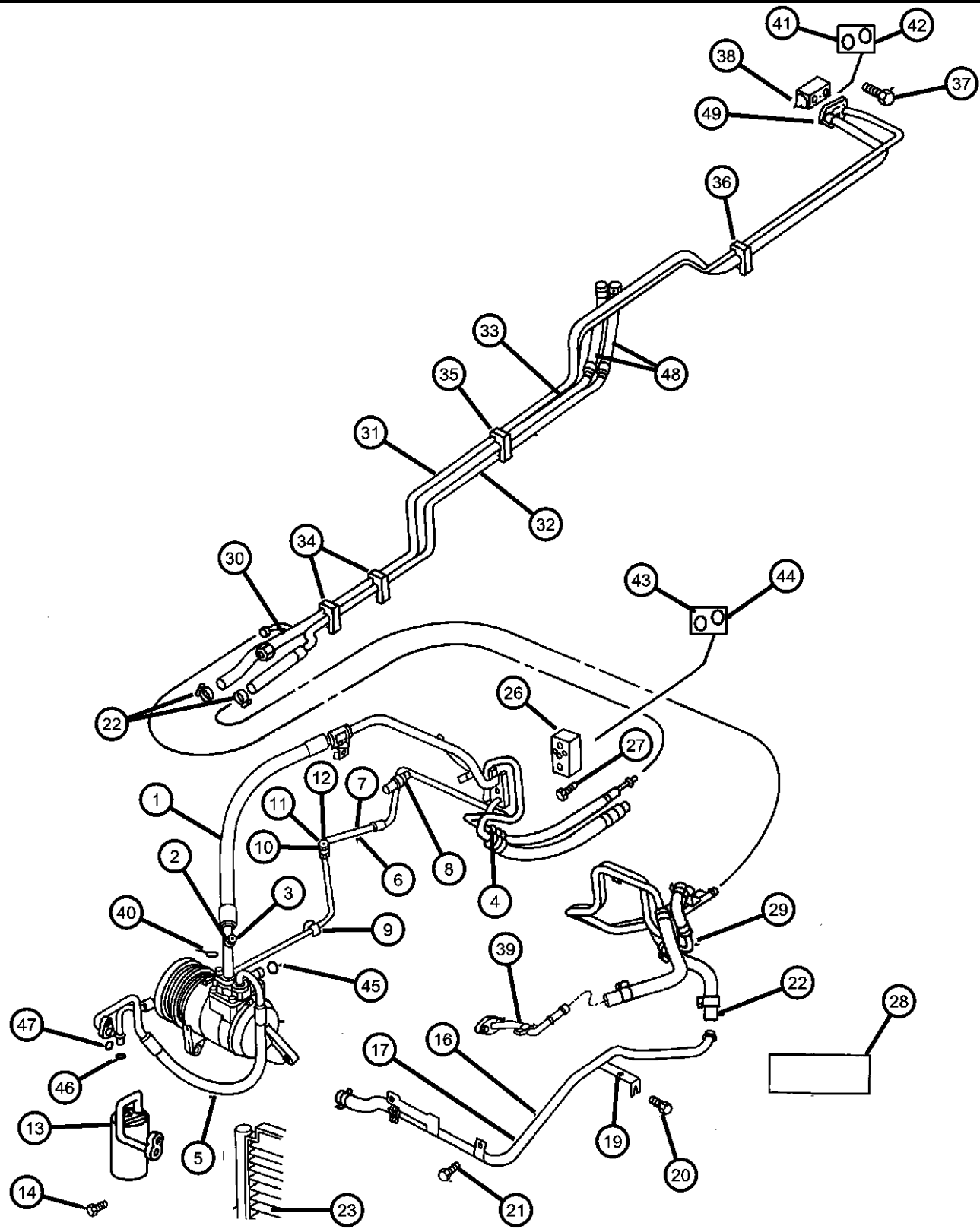
Plumbing, Heater and Air Conditioning, Front and Rear
Figure 24-232



ITEM	PART NUMBER	QTY	LINE	SERIES	BODY	ENGINE	TRANS	TRIM	DESCRIPTION
16	04677452	1				EG0			HOSE, Heater
17	04677402AB	1	U, Z			EG0			HOSE AND TUBE, Heater
-18	04897046AA	2				EG0			HOSE, Auxiliary Heater
19	04798742	1							BRACKET AND SEAL, Auxiliary A/C and Heater
20	06500158	1				EG0			SCREW AND WASHER, Hex Head, M10x1.5x25
21	06502280	2				EG0			SCREW AND WASHER, Hex Head Special Point, M8x1.25x17
22	06502017	2				EGA, EGH			CLAMP, Heater Hose
23									CONDENSER, Air Conditioning
	04682590	1				EG0			
	04682591	1				EG0			Auxiliary
	04809129AA	1				EGA, EGH			Heavy Duty
-24	04809068	2				EG0			PAD, Auxiliary A/C Condenser Bumper
-25	04734201	1				EG0			TUBE, Auxiliary A/C and Heater, Main Condenser to Rear
26	04734442	1							VALVE, A/C Expansion
27	04734122	2							SCREW, Expansion Valve Mounting
28	04677229	1							DECAL, A/C System Specification
29	04677557AA	1	C, Y			EG0			HOSE AND TUBE, Heater Supply And Return
30	04856774	1				EG0			LINE, A/C Suction
31	04883220	1				EG0			LINE, A/C Liquid
32	04882936AB	1				EG0			LINE, Heater - Inboard
33	04882937AB	1				EG0			LINE, Heater - Outboard
34	04856781	1				EG0			BRACKET, Aux A/C And Heater LineFront
35	04856780	1				EG0			BRACKET, Aux A/C And Heater LineMiddle
36	04856776	1				EG0			BRACKET, A/C LineRear
37	06502059	1				EG0			BOLT AND WASHER, Self Taping Flange Head, M8x1.25x40.00
38	04798682	1							VALVE, A/C Expansion
39									TUBE, Heater Hose
	04694132	1				EGA			
		1				EGH			
40									O RING, A/C Suction Line, to Compressor
	04796564	1	C, Y			EG0			
		1	U, Z			EG0			
41	04885095AA	2	C, Y						O RING, A/C Liquid Line, 1/2 inch
42									O RING, A/C Suction Line, 3/4 inch
	04882136	1	C, Y			EG0			

AR = use ase required - = Non illustrated part

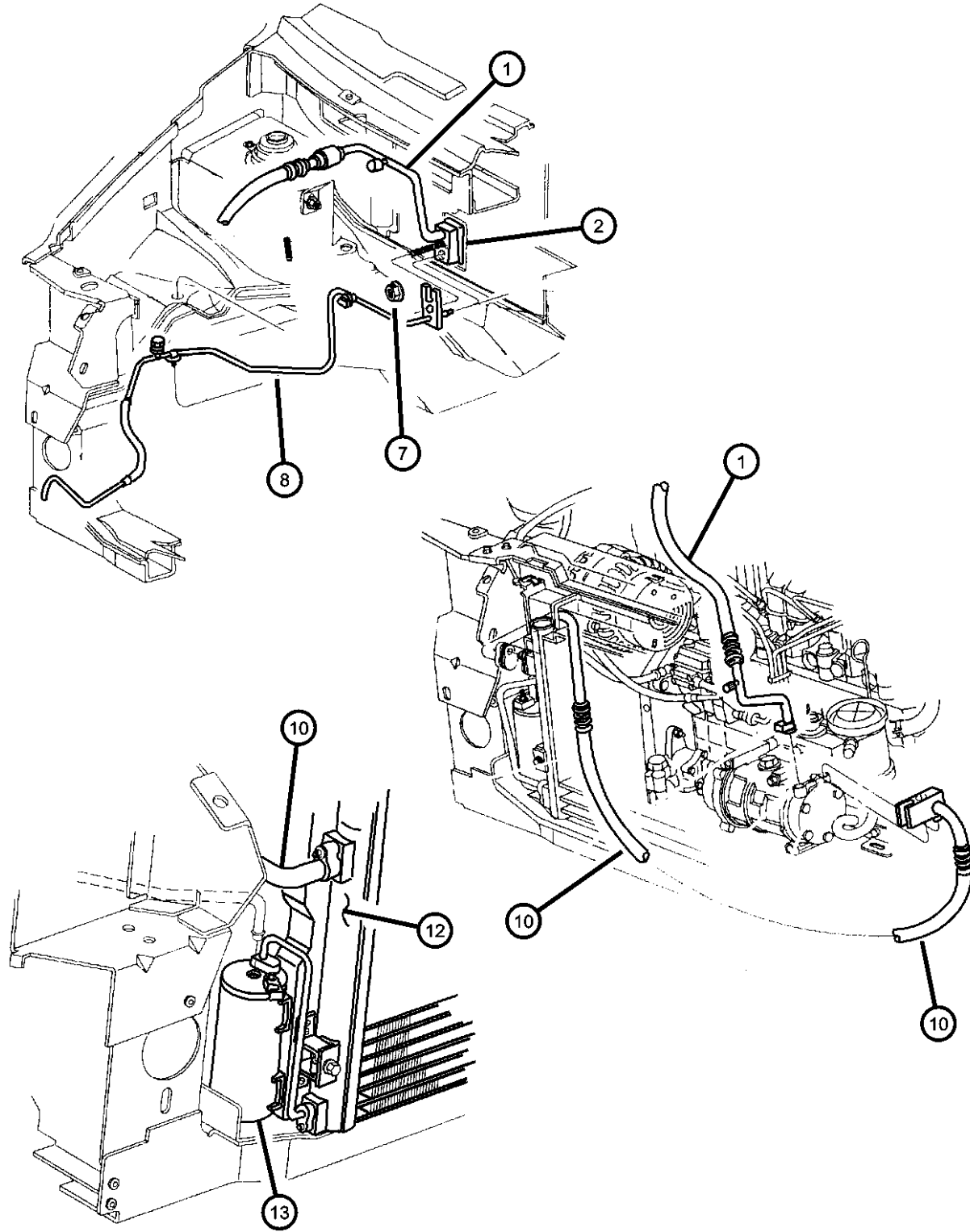
Plumbing, Heater and Air Conditioning, Front and Rear
Figure 24-232



ITEM	PART NUMBER	QTY	LINE	SERIES	BODY	ENGINE	TRANS	TRIM	DESCRIPTION
		1	U, Z			EG0			
43	04885095AA	2	C, Y						O RING, A/C Liquid Line, 1/2 inch, Valve to Evaporator
44	04885094AA	2	C, Y						O RING, A/C Suction Line, 3/4 inch, Valve to Evaporator
45	04796565	2				EG0			O RING, A/C Discharge Line
46	04885095AA	2	C, Y						O RING, A/C Liquid Line
47	04796565	2				EG0			O RING, A/C Discharge Line, to Condenser
48	04882938AB	1				EG0			HOSE, Auxiliary Heater
49	04798683	1							PLATE, Extention

AR = use ase required - = Non illustrated part

Plumbing, Heater, and Air Conditioning
Figure 24-240

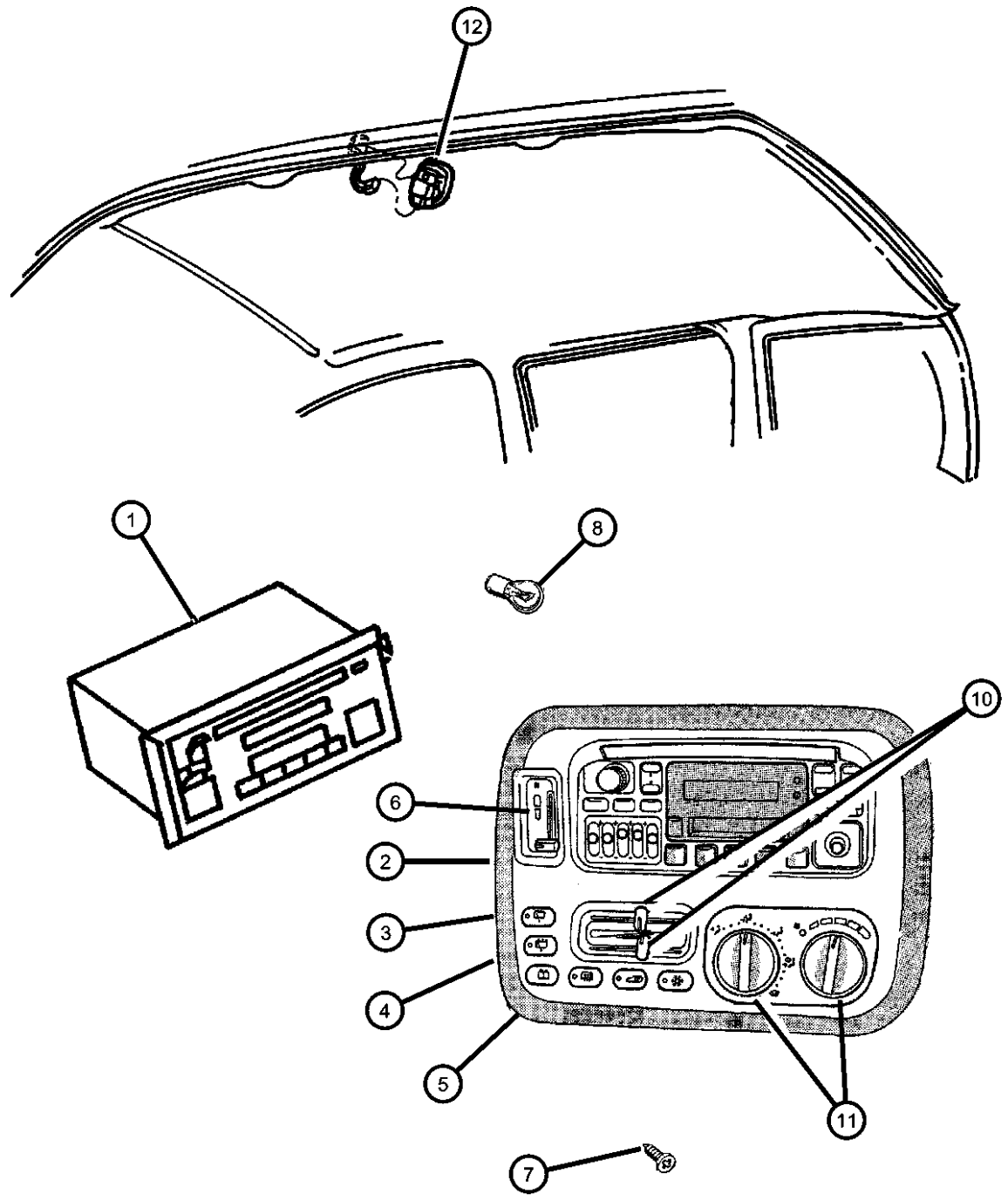


ITEM	PART NUMBER	QTY	LINE	SERIES	BODY	ENGINE	TRANS	TRIM	DESCRIPTION
NOTE: Sales Code EN0 = ENGINES - ALL 4 CYL TURBO DIES ENC = ENGINE - 2.5L 4 CYL TURBO DIES									
1	04677282	1				EN0			LINE, A/C Suction
2	04734442	1							VALVE, A/C Expansion
-3	04885094AA	2	C, Y						O RING, A/C Suction Line, 3/4 inch to Evaporator
-4	04885095AA	2	C, Y						O RING, A/C Liquid Line, 1/2 inch to Evaporator
-5	04882137	2	C, Y			EN0			O RING, A/C Liquid Line, 1/2 inch to H-Valve
-6	04885094AA	2	C, Y						O RING, A/C Suction Line, 3/4 inch to H-Valve
7	06101445	1							NUT AND WASHER, Hex Nut-Coned Washer, M8 x 1.25
8	04677286	1	C, Y			EN0			LINE, A/C Liquid
-9	04882137	2	C, Y			EN0			O RING, A/C Liquid Line, to Drier
10	04677284	1				EN0			LINE, A/C Discharge
-11	04796565	2				EN0			O RING, A/C Discharge Line
12	04798015	1				EN0			CONDENSER, Air Conditioning
13	04798017	1				EN0			RECEIVER DRIER
-14									HOSE, Heater
	04677412AB	1	C, Y			EN0			Engine to Core
	04677413AB	1	C, Y			EN0			Core to Pump

AR = use ase required - = Non illustrated part

Controls, A/C and Heater
Figure 24-310

ITEM	PART NUMBER	QTY	LINE	SERIES	BODY	ENGINE	TRANS	TRIM	DESCRIPTION
1	04677329AB	1							CONTROL, Heater
2	04677217AB	1							CONTROL, A/C And Heater w/Zone & Aux. - Black
	04677635	1							
3	04677635	1							CONTROL, A/C and Heater, Woodgrain, (NOT REQUIRED)
4	04677637	1							CONTROL, A/C And Heater With Zone, Woodgrain
5	04677657	1							CONTROL, A/C And Heater With Zone & Aux, Woodgrain
6	04874515	1							SWITCH, Rear Blower
7	06032723	4							SCREW, Self Tapping, M4.2x1.69x19.05
8	04856288	4							BULB, Heater and A/C Control
-9	04874516	1							BULB, Auxiliary A/C Blower Switch, ENW1-EW33112
10	04882578	1							KNOB, A/C And Heater Control - Slide
	04882580	2							
11	04882575	2							KNOB, A/C And Heater Control - Rotary
12	0JV89S00	1							SWITCH, Rear Blower

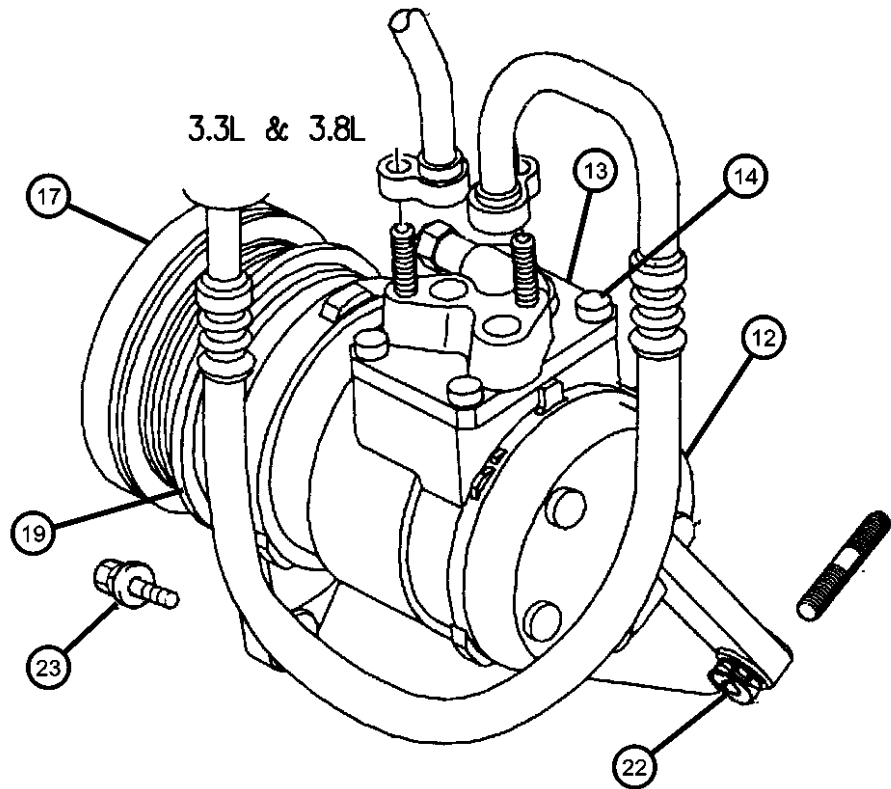
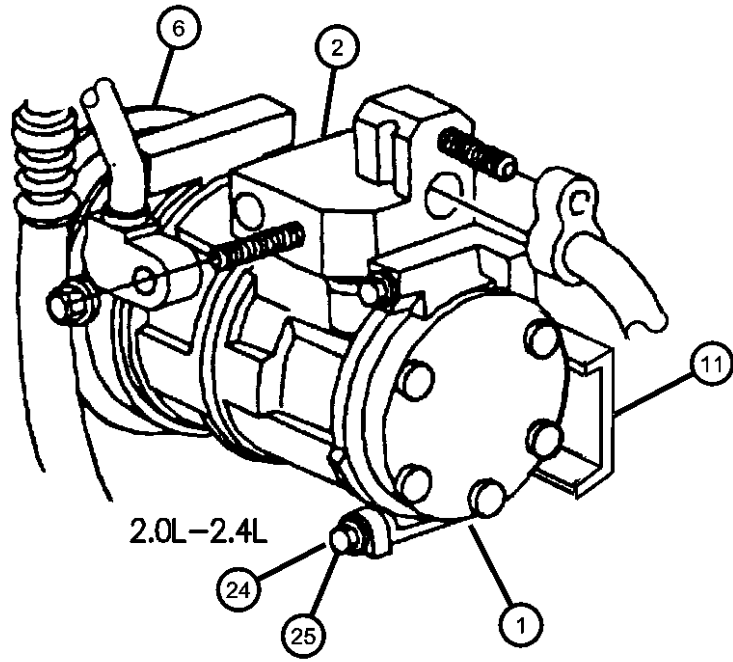


AR = use ase required - = Non illustrated part

Compressor and Mounting
Figure 24-410

ITEM	PART NUMBER	QTY	LINE	SERIES	BODY	ENGINE	TRANS	TRIM	DESCRIPTION
------	-------------	-----	------	--------	------	--------	-------	------	-------------

NOTE
Sale Code
EDZ =ENGINE - 2.4L 4 CYL DOHC 16V
ECB =ENGINE - 2.0L 4 CYL SOHC 16V
EGA = ENGINE - 3.3L V6 MPI
EGH = ENGINE - 3.8L V6 MPI
EG0 = ENGINES - ALL 3.3L,3.5L, & 3.8

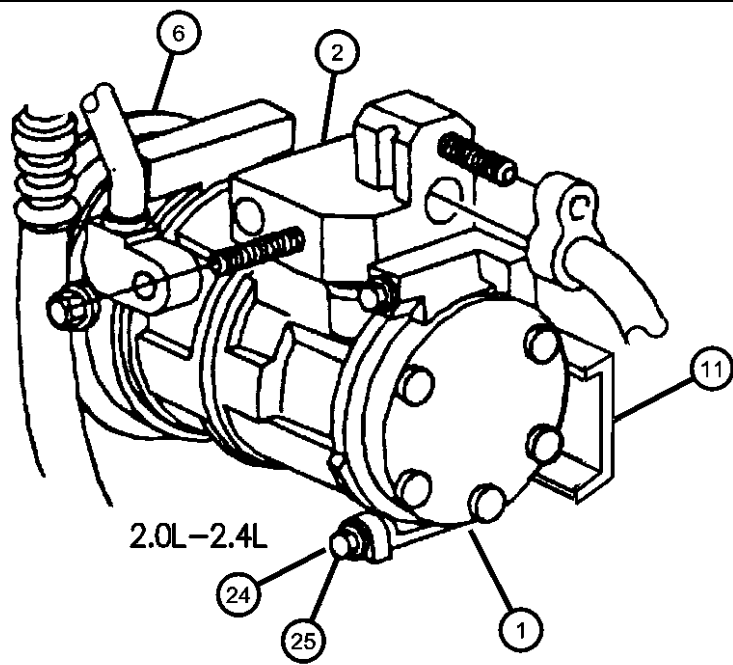


1									COMPRESSOR, Air Conditioning
	04677205	1				EDZ			
	R4677205								Mopar Remanufactured Part
	04677341	1				ECB			Complete
2	04797385	1				EDZ			MANIFOLD KIT, A/C Compressor
-3	05264457	1				EDZ			BOLT KIT, A/C Compressor Manifold
-4	04728854	1				EDZ			SEAL, Manifold To Compressor
-5	04797384	1				EDZ			NUT, Manifold Stud Mounting
6									CLUTCH OVERHAUL KIT, A/C Compressor, Overhaul Kit
	04797388	1				EDZ			
	05142518AA	1				ECB			Complete
-7	04797390	1				EDZ			COIL, Stator, A/C Compressor Clutch
-8	05264454	1				EDZ			SNAP RING KIT, A/C Clutch
-9	04720834	1				EDZ			PULLEY HUB KIT, A/C Compressor
-10	04720848	1				EDZ			VALVE, High Pressure Relief
11	04612342	1				EDZ			BRACKET, A/C Compressor
12									COMPRESSOR, Air Conditioning
	04677144AB	1				EG0			
	04677156AB	1				EG0			Rear A/C
	R4677156AB								Mopar Remanufactured Part W/Clutch Kit
13	04797386	1				EG0			MANIFOLD KIT, A/C Compressor
14	05264457	1				EG0			BOLT KIT, A/C Compressor Manifold
-15	04728854	1				EG0			SEAL, Manifold To Compressor
-16	04797384	1				EG0			NUT, Manifold Stud Mounting
17	04797376	1				EG0			CLUTCH OVERHAUL KIT, A/C Compressor, Overhaul Kit
-18	05264454	1				EG0			SNAP RING KIT, A/C Clutch
19	04797390	1				EG0			COIL, Stator, A/C Compressor Clutch
-20	04797378	1				EG0			PULLEY HUB KIT, A/C Compressor
-21	04720848	1				EG0			VALVE, High Pressure Relief
22	06101448	1				EG0			NUT AND WASHER, Hex Nut-Coned Washer, M10 x 1.5
23	06101054	2				EG0			BOLT AND WASHER, Hex Head, M10x1.5x40

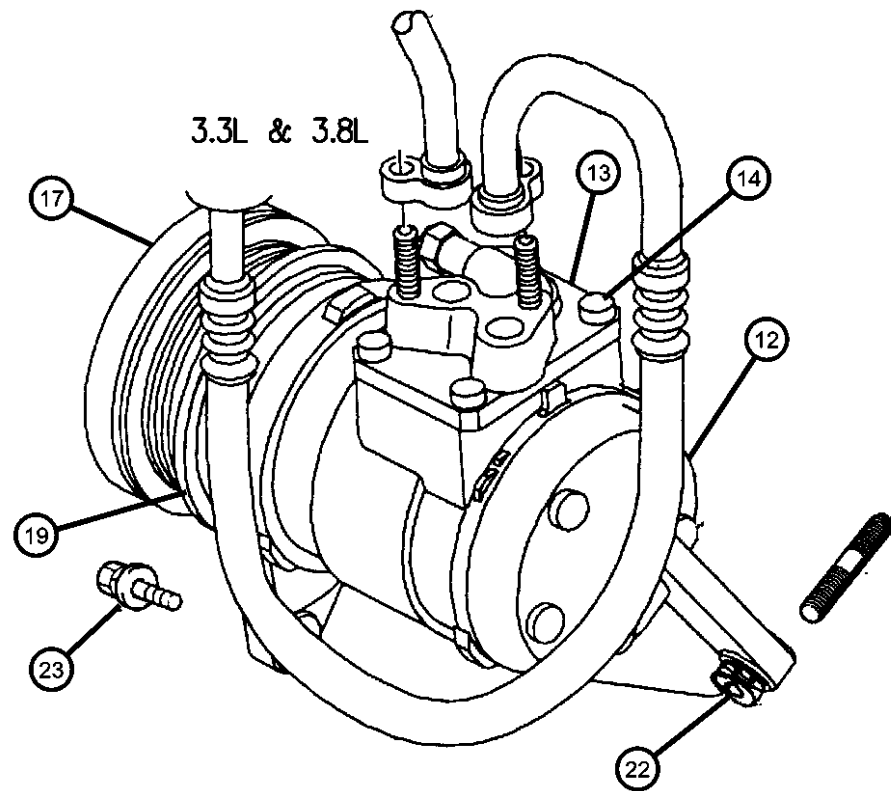
AR = use ase required - = Non illustrated part

Compressor and Mounting
Figure 24-410

ITEM	PART NUMBER	QTY	LINE	SERIES	BODY	ENGINE	TRANS	TRIM	DESCRIPTION
------	-------------	-----	------	--------	------	--------	-------	------	-------------



24	06502425	1				EDZ			SCREW AND WASHER, Hex Head, M8x1.25x95Compressor Mounting
25	06503760	4				ECB			BOLT, A/C CompressorCompressor Mounting



AR = use ase required - = Non illustrated part

Compressor and Mounting, 2.5L Diesel Engine
Figure 24-420

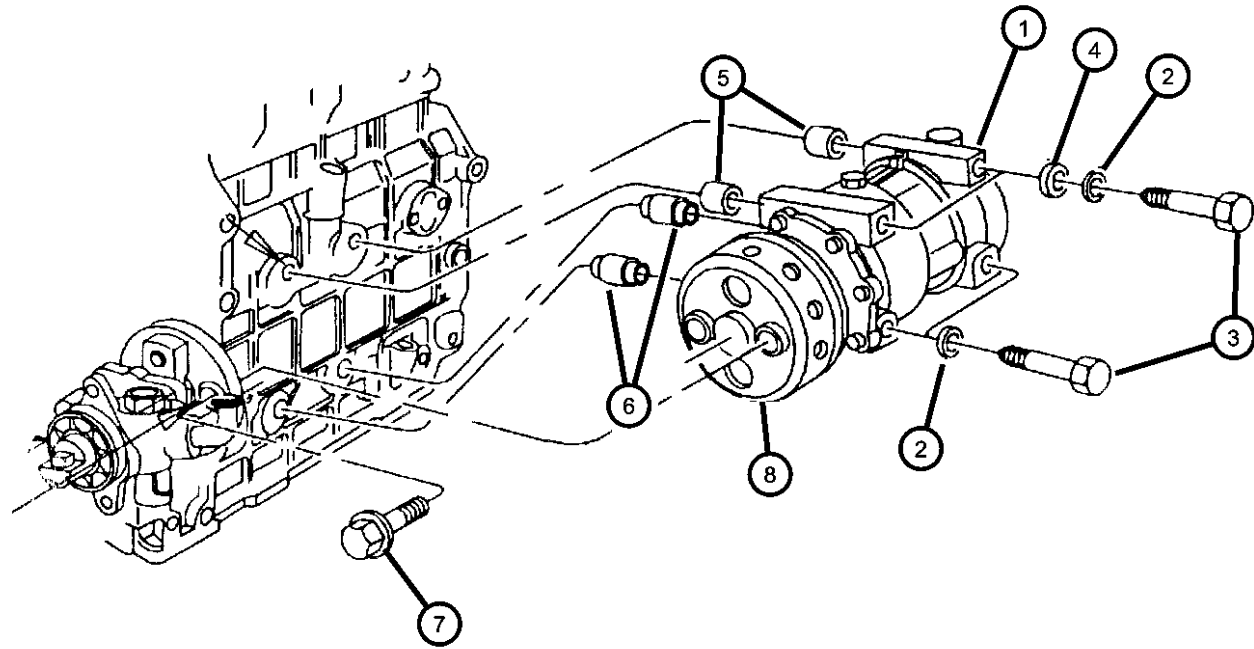
ITEM	PART NUMBER	QTY	LINE	SERIES	BODY	ENGINE	TRANS	TRIM	DESCRIPTION
------	-------------	-----	------	--------	------	--------	-------	------	-------------

NOTE:

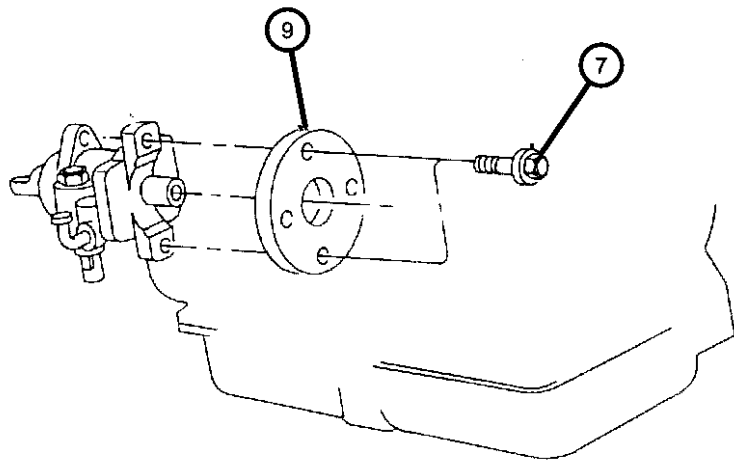
Sales Code

EN0 = ENGINES - ALL 4 CYL TURBO DIES

ENC = ENGINE - 2.5L 4 CYL TURBO DIES

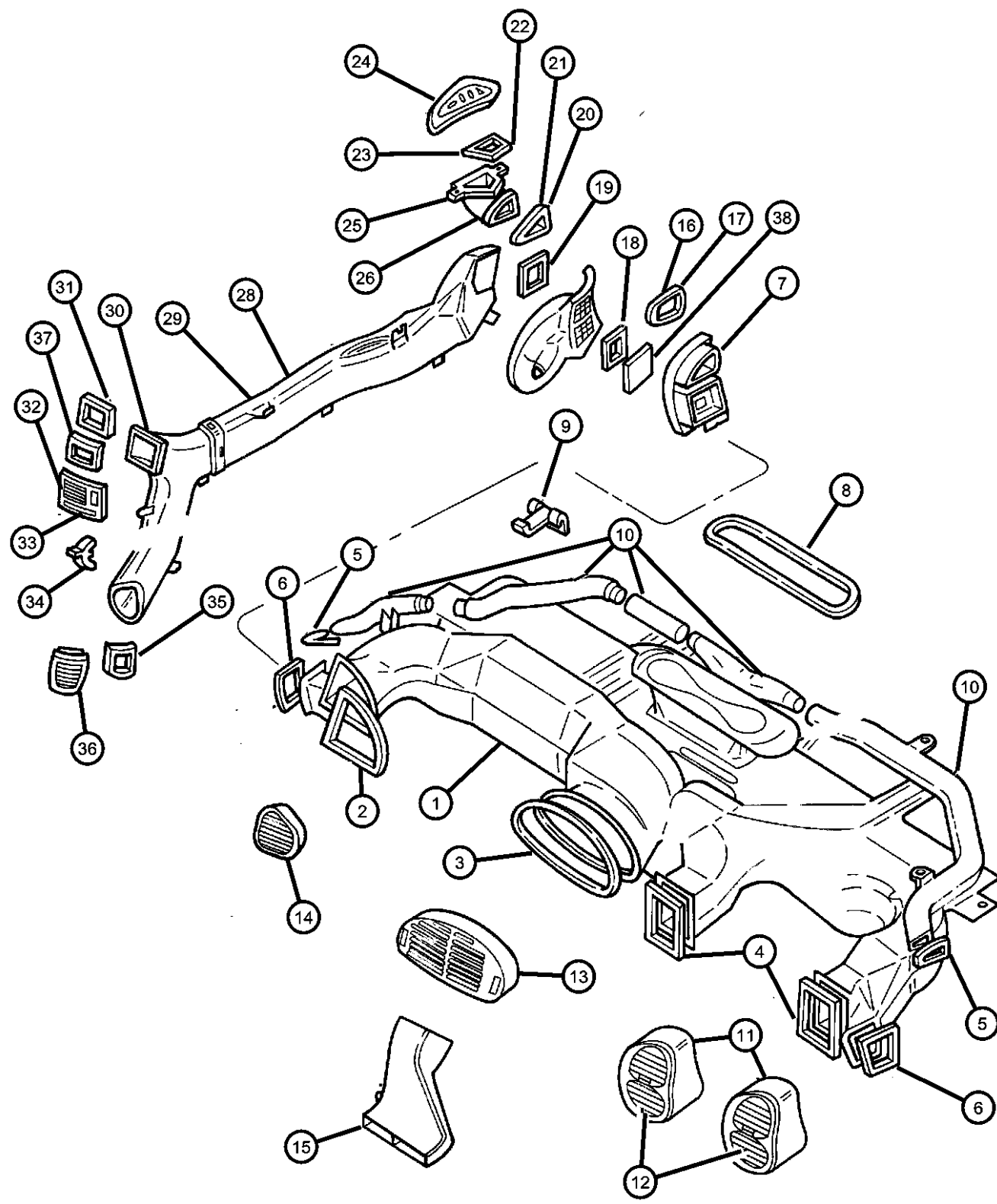


1	04677344	1				EN0			COMPRESSOR, Air Conditioning
2	06950005	4				EN0			WASHER, 3-Wave, M8.40x 5
3	06950003	4				EN0			SCREW, M8-1.25
4	04677319	2				EN0			SPACER, A/C CompressorMounting
5	04677316	2				EN0			SPACER, A/C Compressor
6	04677315	2				EN0			SPACER, A/C CompressorLower
7	06950004	4				EN0			SCREW, Hex Flange Head, M8x1.25x25.00
8	04677314	1				EN0			COUPLING, Compressor to Adaptor
9	04677313	1				EN0			COUPLING, Compressor



AR = use ase required - = Non illustrated part

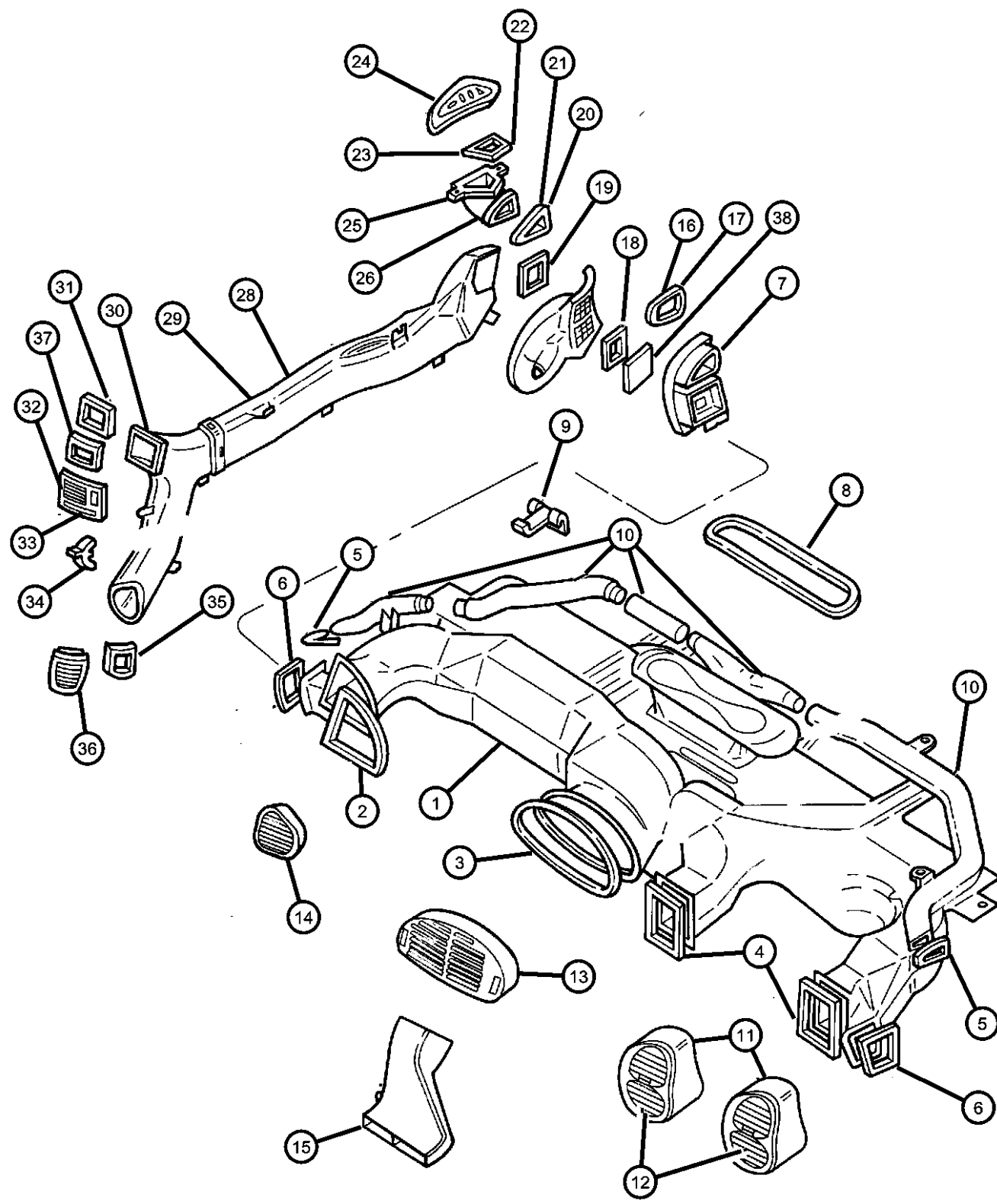
Ducts and Outlets, Front
Figure 24-610



ITEM	PART NUMBER	QTY	LINE	SERIES	BODY	ENGINE	TRANS	TRIM	DESCRIPTION
1									DUCT, Instrument Panel
	04678627	1	U, Z						
	04678710	1	C, Y						
2	04678343	1	C, Y						SEAL, Distribution DuctLeft
3	04678342	1	C, Y						SEAL, Distribution DuctCenter
4									SEAL, Distribution Duct
	04678344	2	C, Y						Right
		1	U, Z						Right
5									SEAL, Instrument Panel Demister
	04678394	1	C, Y						Right
	04678395	1	C, Y						Left
6									SEAL, Instrument Panel Air
	04678397	1	C, Y						Left
	04678398	1	C, Y						Right
7									CAP, Instrument Panel End
	0JS43RC3AB	1	U, Z						Blue
	0JS43RK5AB	1	U, Z						Tan
	0RH00RC3AA	1	C, Y						Blue
	0RH00RK5AA	1	C, Y						Tan
8	04706826	1	C, Y						SEAL, Serviced in Instrument Panel Cover
9									CLIP, Air Duct
	04678396	3	C, Y						
		3	U, Z						
10	04678152	1	C, Y						DUCT, Instrument Panel Demister
11									HOUSING, Air Conditioning Outlet
	0JP42SC3	1	U, Z						Right, Blue
		1	C, Y						Right, Blue
	0JP42SK5	1	C, Y						Right, Tan
	0JP43SC3	1	U, Z						Left, Blue
		1	C, Y						Left, Blue
	0JP43SK5	1	U, Z						Left, Tan
		1	C, Y						Left, Tan
12									LOUVER, Air Outlet
	0JP40SC3	1	U, Z						Right, Blue
		1	C, Y						Right, Blue
	0JP40SK5	1	U, Z						Right, Tan
		1	C, Y						Right, Tan
	0JP41SC3	1	U, Z						Left, Blue
		1	C, Y						Left, Blue
	0JP41SK5	1	U, Z						Left, Tan

AR = use ase required - = Non illustrated part

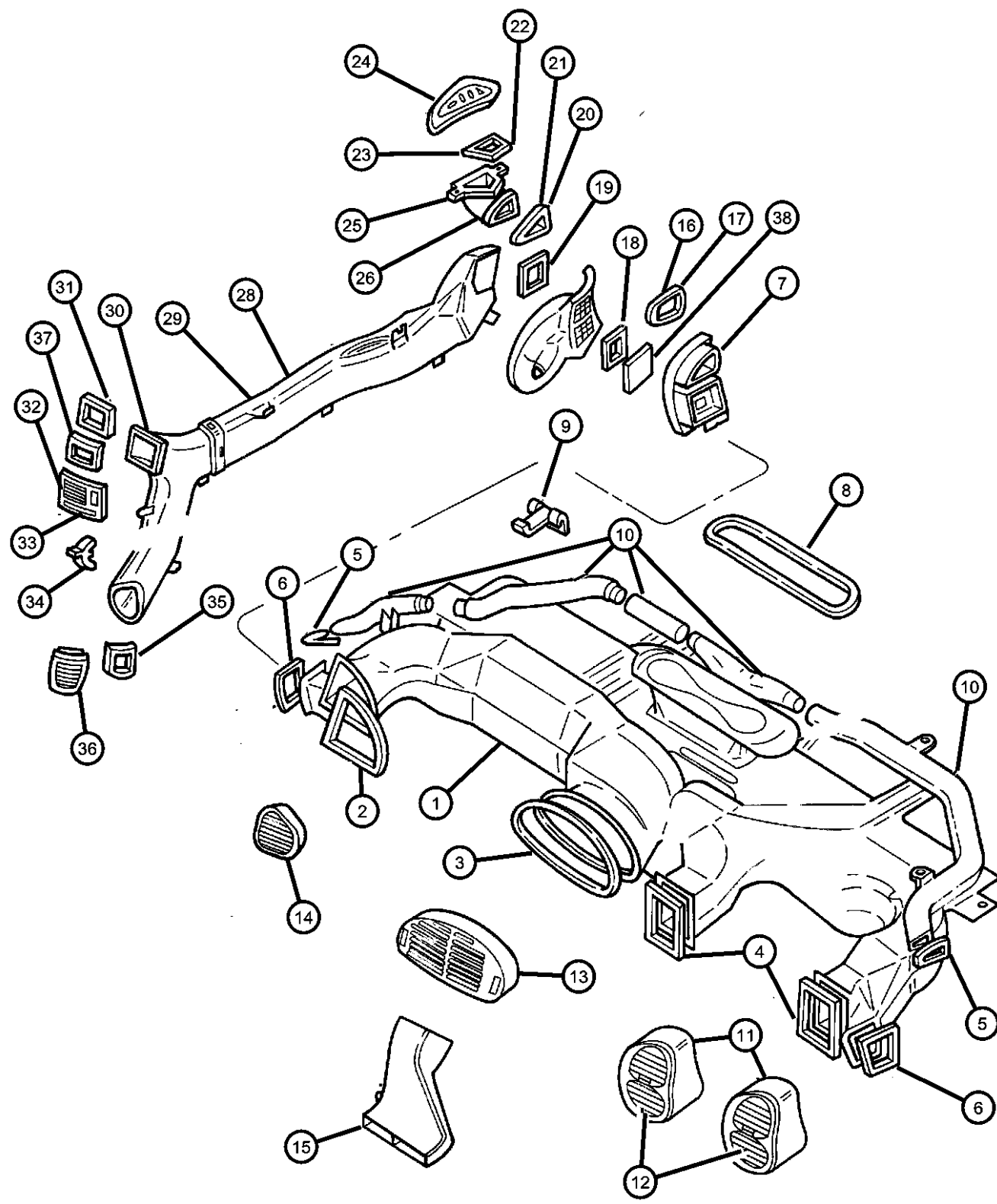
Ducts and Outlets, Front
Figure 24-610



ITEM	PART NUMBER	QTY	LINE	SERIES	BODY	ENGINE	TRANS	TRIM	DESCRIPTION
		1	C, Y						Left, Tan
13		1	U, Z						LOUVER, Air Outlet
	0PE04SX8	1	C, Y						Center
		1	C, Y						Center
14	0PE05SX8	1	C, Y						LOUVER, Air Outlet, Serviced in PX591X8 Bezel Instrument ClusterLeft
15		1	C, Y						DUCT, Floor Distribution
	04677221	1	U, Z						
	04677245AB	1	C, Y						
16		1							SEAL, Demister Duct
	04706396	1							Right
	04706397	1							Left
17		1							SEAL, Demister Inlet
	04706902	1	U, Z						Right
	04706903	1	U, Z						Left
18		2							SEAL, Duct Inlet
	04681854	1	C, Y						Right
	04681855	1	C, Y						Left
	04706912	2	U, Z						w/Power Windows - Power Locks, Right
	04706913	1	U, Z						w/Power Windows - Power Locks, Left
19		1							SEAL, Duct Inlet
	04706664	1	C, Y						Right
	04706665	1	C, Y						Left
	04706960	1	U, Z						Right
	04706961	1	U, Z						Left
20	04754059	1							SEAL, Demister DuctLeft
21		1							SEAL, Demister Inlet
	04706902	1	Z						Right
	04706903	1	Z						Left
	04754086	1	Z						Foam, Right
	04754087	1	Z						Foam, Left
22		1							SEAL, Demister Duct Outlet
	04706404	1	C, Y						Right
	04706405	1	C, Y						Left
	04706910	1	U, Z						Right
23	04706911	1	U, Z						SEAL, Duct InletLeft
24		1							GRILLE, Demister, Left Hand Drive Grilles Serviced in Trim Panel
	0JE70RC3	1	Z						Mist Gray, Right
	0JE70RK5	1	Z						Camel Tan, Right

AR = use ase required - = Non illustrated part

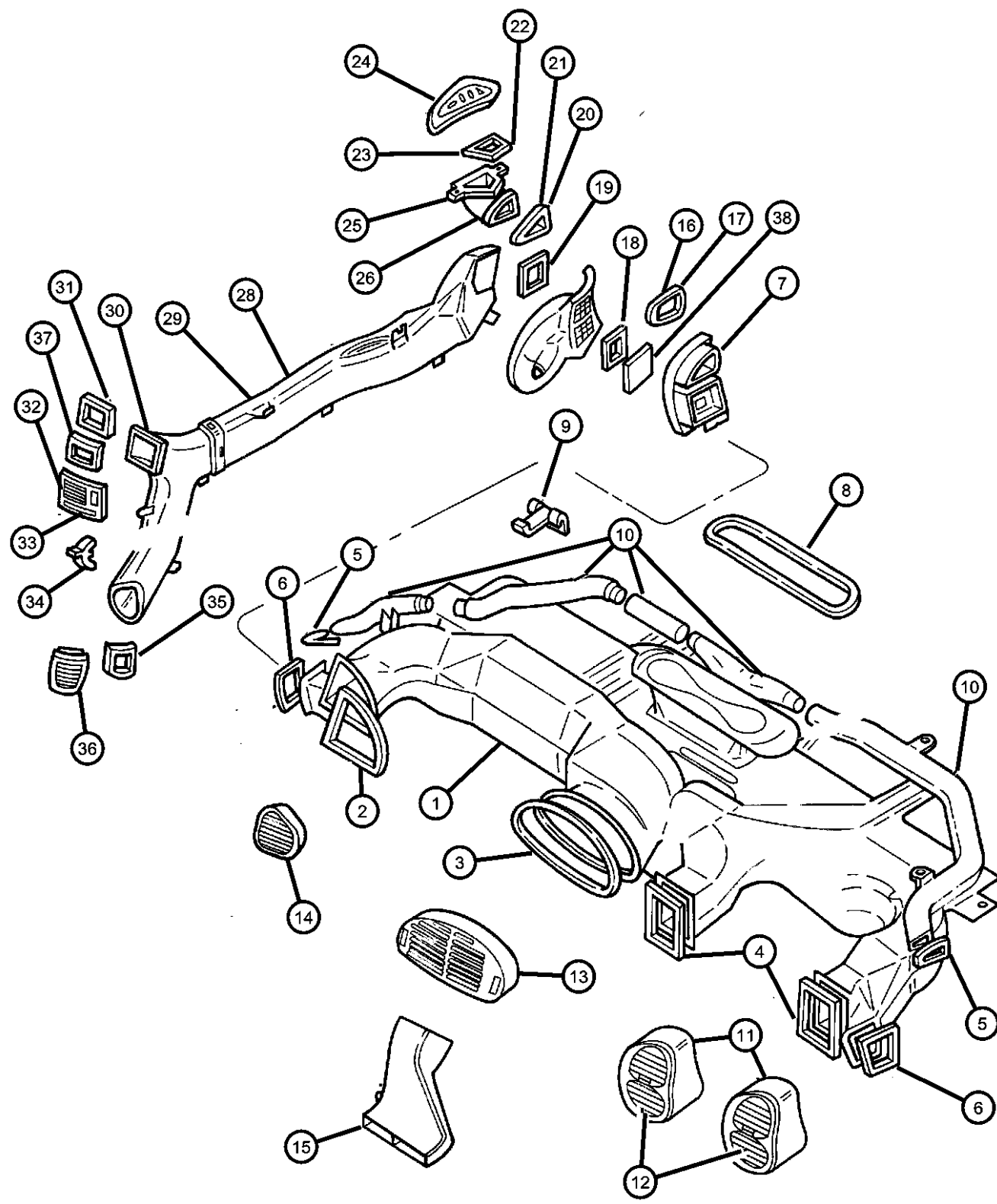
Ducts and Outlets, Front
Figure 24-610



ITEM	PART NUMBER	QTY	LINE	SERIES	BODY	ENGINE	TRANS	TRIM	DESCRIPTION
	0JE71RC3	1	Z						Mist Gray, Left
	0JE71RK5	1	Z						Camel tan, Left
25	04754442	1							DUCT, DemisterRight
26									DUCT, Air Outlet
	04706954	1	U, Z						Right
	04706955	1	U, Z						Left
	04754352	1	U, Z						w/Power Windows, Right
-27									SEAL, Demister Duct
	04706396	1							Inlet
	04706668	1							Outlet, Right
28	04681834	1							DUCT, A/C And Heater
29	04706957	1	Z						DUCT, Door Demister
30	04706828	1							DUCT, Aux A/C And Heater
31									SEAL, Duct Outlet
	04706667	1	C, Y						
		1	Z						
32									OUTLET, Air Conditioning & Heater
	0HH18SC3	1	C, Y						Blue, Right
		1	U, Z						Blue, Right
	0HH18SK5	1	C, Y						Tan, Right
		1	U, Z						Tan, Right
	0HH19SC3	1	C, Y						Blue, Left
		1	U, Z						Blue, Left
	0HH19SK5	1	C, Y						Tan, Left
		1	U, Z						Tan, Left
33									REFLECTOR, Door Trim Panel
	04685228	1	C, Y						Right
		1	U, Z						Right
	04685229	1	C, Y						Left
		1	U, Z						Left
34									THUMBWHEEL, Heater and A/C Outlet
	0KM98SC3	1	C, Y						Blue, Right
		1	U, Z						Blue, Right
	0KM98SK5	1	C, Y						Tan, Right
		1	U, Z						Tan, Right
	0KM99SC3	1	C, Y						Blue, Left
		1	U, Z						Blue, Left
	0KM99SK5	1	C, Y						Tan, Left
		1	U, Z						Tan, Left
35									SEAL, Duct Outlet

AR = use ase required - = Non illustrated part

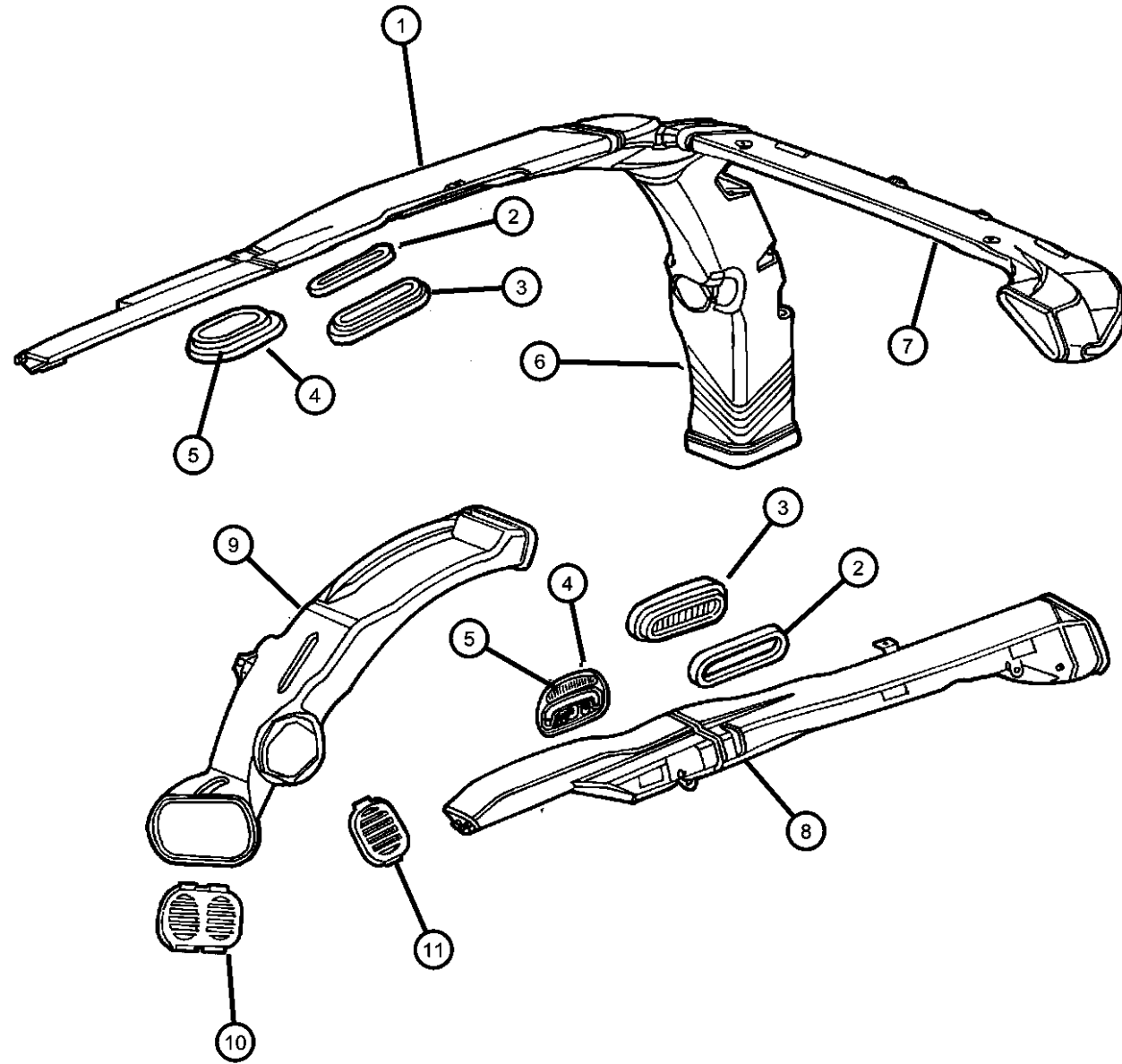
Ducts and Outlets, Front
Figure 24-610



ITEM	PART NUMBER	QTY	LINE	SERIES	BODY	ENGINE	TRANS	TRIM	DESCRIPTION
	04754206	1	C, Y						Right
		1	U, Z						Right
	04754207	1	C, Y						Left
		1	U, Z						Left
36									GRILLE, Front Door Air Outlet
	0HH21SK5	1	C						Tan, Left
	0HH20SC3	1	C, Y						Blue, Right
		1	Z						Blue, Right
	0HH20SK5	1	C, Y						Tan, Right
		1	Z						Tan, Right
	0HH21SC3	1	Z						Blue, Left
		1	Z						Tan, Left
37		1							SEAL, Air Outlet, Not Required, (NOT SERVICED),
38									SEAL
	04706826	1	C, Y						Right
	04706827	1	C, Y						Left

AR = use ase required - = Non illustrated part

Ducts and Outlets, Rear
Figure 24-620



ITEM	PART NUMBER	QTY	LINE	SERIES	BODY	ENGINE	TRANS	TRIM	DESCRIPTION
1	04706448	1			53				DUCT, Rear Overhead Right
2	04754539	2			53				SEAL, Rear Air Condition Duct
3									OUTLET, Air Conditioning & Heater
	0HH18SC3	1	C, Y						Mist Gray, Right
		1	U, Z						Mist Gray, Right
	0HH18SK5	1	C, Y						Tan, Right
		1	U, Z						Tan, Right
	0HH19SC3	1	C, Y						Mist Gray, Left
		1	Z						Mist Gray, Left
	0HH19SK5	1	C, Y						Tan, Left
		1	U, Z						Tan, Left
4									HANDLE, Door Interior
	0HW38SC1	2			53				Blue, Right
	0HW38SK4	2			53				Tan, Right
	0HW39SC1	2			53				Blue, Left
	0HW39SK4	2			53				Tan, Left
5									OUTLET, Air Conditioning & Heater, Serviced in Item #4 for 1998
	0HH18SC3	1	C, Y						Iris Blue, Right
		1	Z						Iris Blue, Right
	0HH18SK5	1	C, Y						Camel Tan, Right
		1	Z						Camel Tan, Right
	0HH19SC3	1	C, Y						Iris Blue, Left
		1	Z						Iris Blue, Left
	0HH19SK5	1	C, Y						Camel Tan, Left
		1	Z						Camel Tan, Left
6	04677182	1			53				DUCT AND SEAL, A/C And Heater Air Outlet
7	04706447	1			53				DUCT, Rear Overhead
8	04706851	1			53				DUCT, Rear Overhead Left
9	04706752	1			53				DUCT, Aux A/C And Heater
10	04706752	1							GRILLE, Panel, Serviced in Quarter Trim Panel, (NOT SERVICED)
11	04706752	1							GRILLE, Panel, Serviced in Quarter Trim Panel, (NOT SERVICED)

AR = use ase required - = Non illustrated part

Group - 25

Emission Systems

Group - 25 Emission Systems

Group-Fig. No.

Illustration Title

Emission Labels

Emission Labels GS Fig. 25 - 110

EGR System

EGR System GS 2.0L Engine (ECB) Fig. 25 - 210

EGR System GS Diesel (ENC)..... Fig. 25 - 220

EGR System GS 2.4L Engine (EDZ) Fig. 25 - 230

EGR System GS 3.3L-3.8L Engine (EGA-EGH)..... Fig. 25 - 240

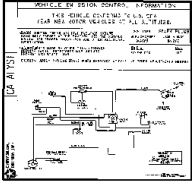
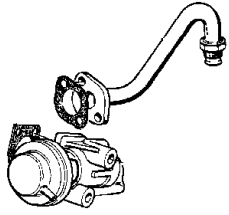

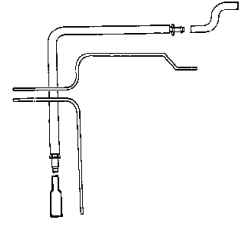
Vacuum Canister

Vacuum Canister GS..... Fig. 25 - 310

Emission Harness

Vacuum Harness GS 2.0L-2.4L Engine (ECB-EDZ)..... Fig. 25 - 410

Vacuum Harness GS 3.3L-3.8L Engine (EGA-EGH) Fig. 25 - 420

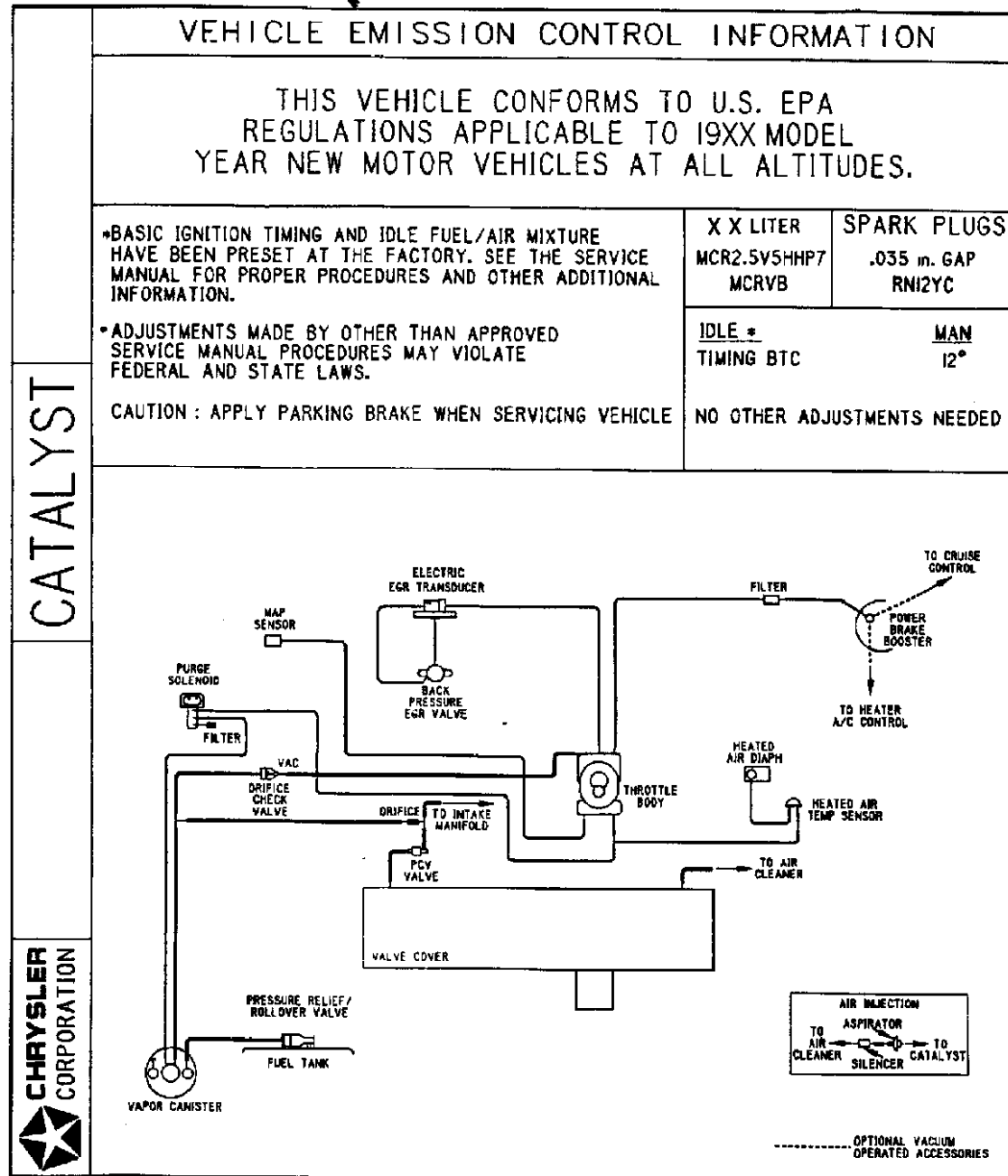
<p>025-100 Emission Labels</p> 	<p>025-200 EGR System</p> 	<p>025-300 Vacuum Canister</p> 	<p>025-400 Emission Harness</p> 
----------------------------------------------------------------------------------------------------------------------------	------------------------------------------------------------------------------------------------------------------------	-----------------------------------------------------------------------------------------------------------------------------	--------------------------------------------------------------------------------------------------------------------------------

Emission Labels GS
Figure 25-110

ITEM	PART NUMBER	QTY	LINE	SERIES	BODY	ENGINE	TRANS	TRIM	DESCRIPTION
------	-------------	-----	------	--------	------	--------	-------	------	-------------

NOTE:
Sales Codes:
ECB=2.0L 4CYL. SOHC 16V
EGA=3.3L V-6 MPI
EGH=3.8L V-6 MPI
ABA=AUSTRALIA EQUIPMENT GROUP

1									LABEL, Emission
	04861150AA	1				EGH			3.8L Engine
	04861151AA	1				EGA			3.3L Engine
	04861153AA	1				ECB			2.0L Engine



CATALYST

CHRYSLER CORPORATION

AR = use ase required - = Non illustrated part

**EGR System GS 2.0L Engine (ECB)
Figure 25-210**

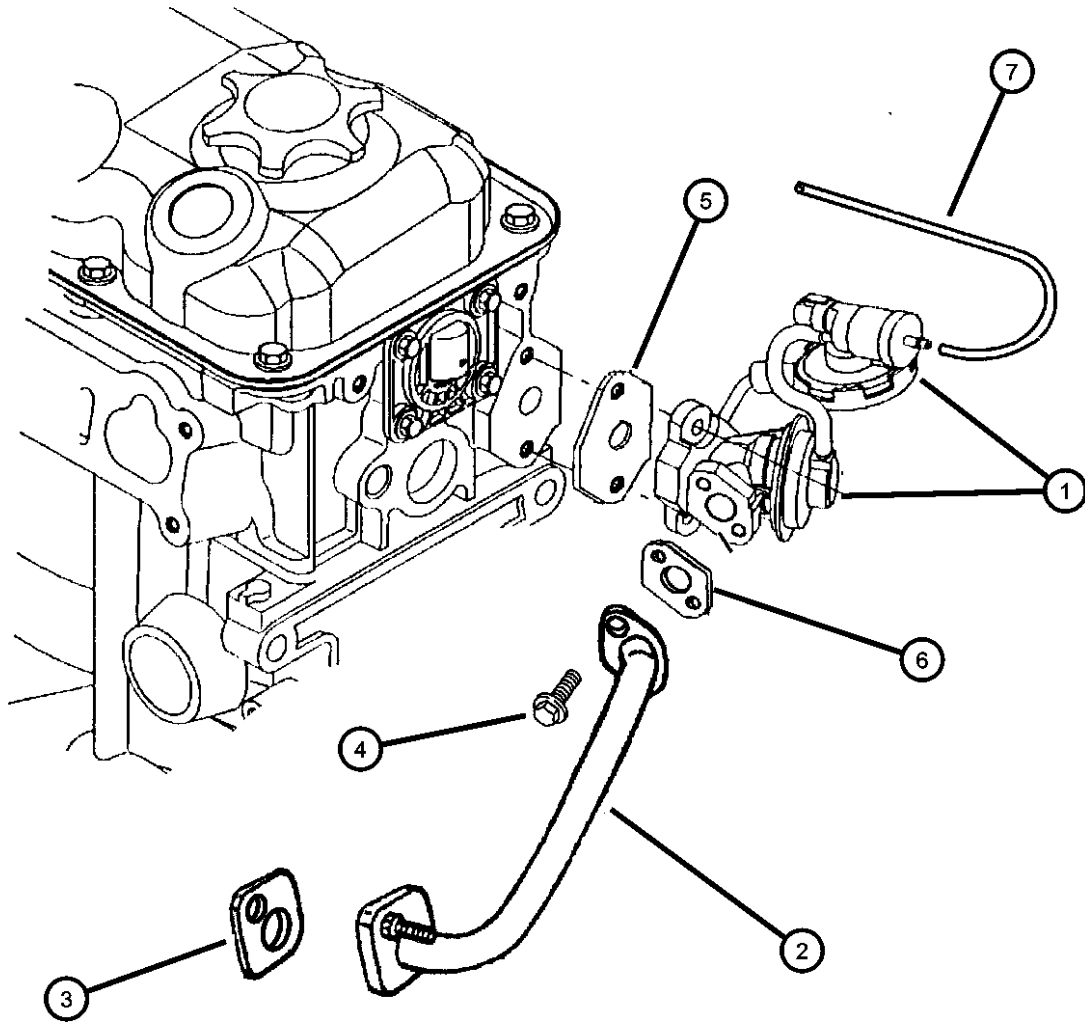
ITEM	PART NUMBER	QTY	LINE	SERIES	BODY	ENGINE	TRANS	TRIM	DESCRIPTION
------	-------------	-----	------	--------	------	--------	-------	------	-------------

NOTE:

Sales Notes:

ECB=2.0L 4CYL. SOHC 16V

1	04287648	1				ECB			VALVE, EGR
2	04669228	1				ECB			TUBE, EGR
3	04667431	1				ECB			SEAL, EGR Tube
4	06500464	2				ECB			BOLT, EGR Tube
5	04663247	1				ECB			GASKET, EGR Valve
6	05277928	1				ECB			GASKET, EGR Tube Flange
7									HARNES, EGR Vacuum
	04612988	1	C, Y			ECB			
	04861063	1	U, Z			ECB			



AR = use ase required - = Non illustrated part

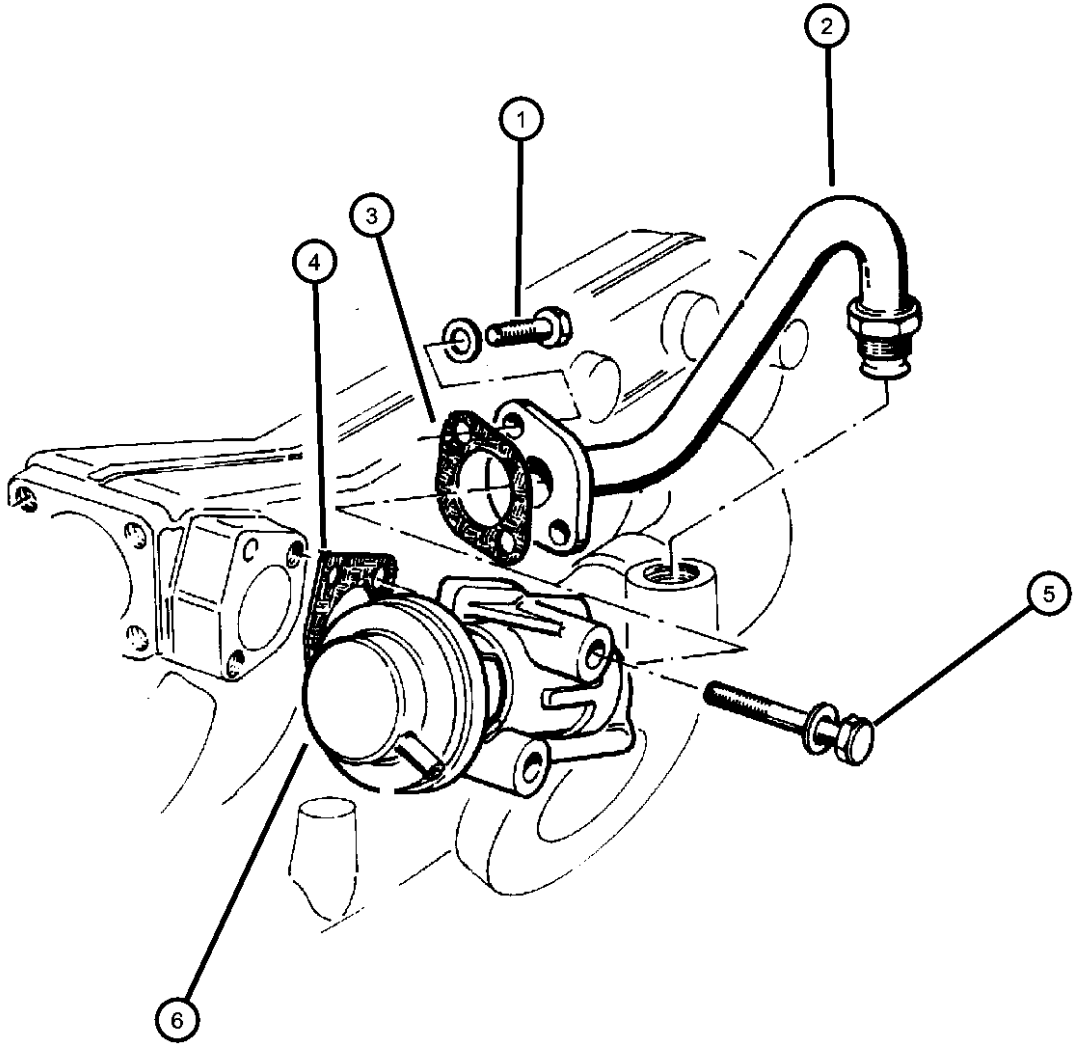
EGR System GS Diesel (ENC)

Figure 25-220

ITEM	PART NUMBER	QTY	LINE	SERIES	BODY	ENGINE	TRANS	TRIM	DESCRIPTION
------	-------------	-----	------	--------	------	--------	-------	------	-------------

NOTE:
Sales Codes:
ENC=2.5L 4CYL. TURBO DIESEL

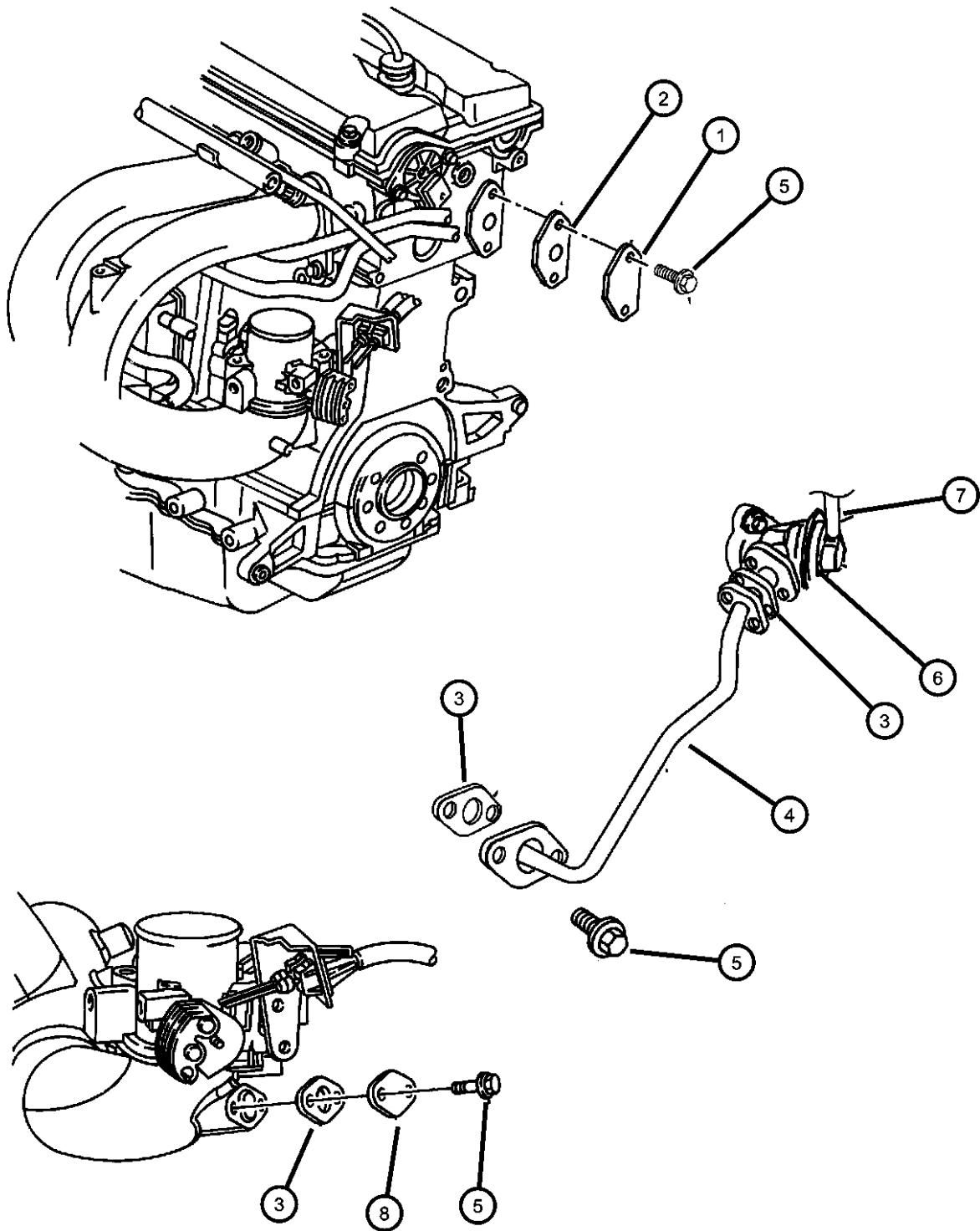
1	04864537	2				ENC			BOLT, 8Mx20
2	04864024	1				ENC			PIPE, EGR Valve
3	04720208	1				ENC			GASKET, EGR Tube Flange
4	04778965	1				ENC			GASKET, EGR Tube
5	06500464	2				ECB			BOLT
6	04882409	1				ENC			VALVE, EGR
-7	56027094	1				ENC			SOLENOID, EGR Vacuum
-8	04612699	1				ENC			HARNESS, EGR Vacuum



AR = use ase required - = Non illustrated part

**EGR System GS 2.4L Engine (EDZ)
Figure 25-230**

ITEM	PART NUMBER	QTY	LINE	SERIES	BODY	ENGINE	TRANS	TRIM	DESCRIPTION
------	-------------	-----	------	--------	------	--------	-------	------	-------------



NOTE:

Sales Codes:

EDZ=2.4L 4Cyl.. DOHC 16V

DGL=4 Speed Automatic Transmission

DD3=5 Speed Manual Transmission

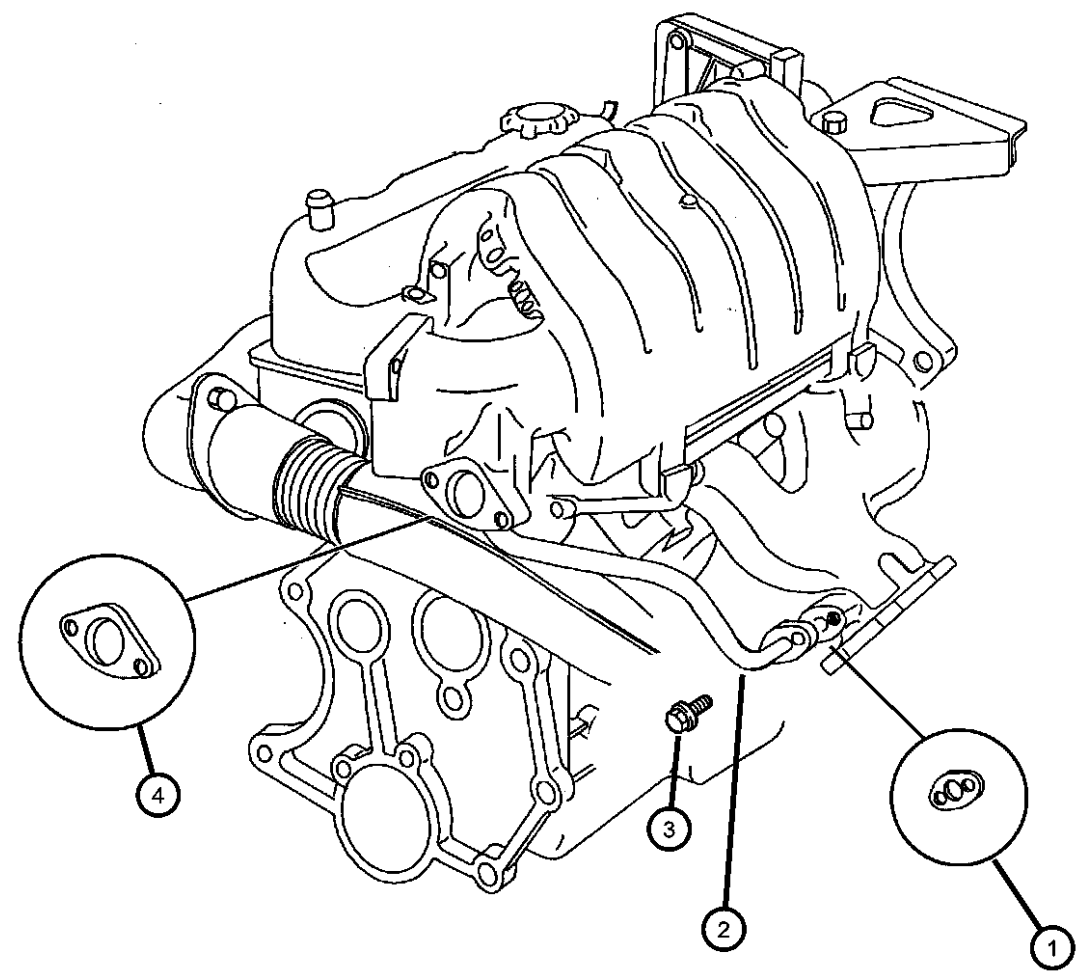
1	04591227	1				EDZ	DGL		COVER, EGR Port
2	04663247	1				EDZ			GASKET, EGR Valve
3	04612184	1				EDZ			GASKET, EGR Tube Flange
4	04612206	1				EDZ	DD3		TUBE, EGR
5	06101452	2				EDZ			SCREW AND WASHER, Hex Head, M8x1.25x20
6	04287820AA	1				EDZ	DD3		VALVE, EGR
7	05281386	1				EDZ	DD3		HARNESS, EGR Supply
8	04591227	1				EDZ	DGL		COVER, EGR Port

AR = use ase required - = Non illustrated part

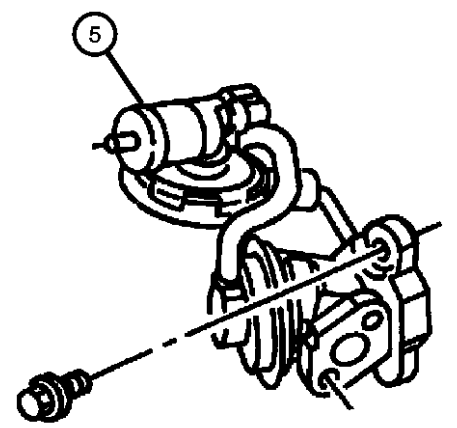
**EGR System GS 3.3L-3.8L Engine (EGA-EGH)
Figure 25-240**

ITEM	PART NUMBER	QTY	LINE	SERIES	BODY	ENGINE	TRANS	TRIM	DESCRIPTION
------	-------------	-----	------	--------	------	--------	-------	------	-------------

NOTE:
Sales Codes:
EGA=3.3L V-6 MPI
EGH=3.8L V-6 MPI



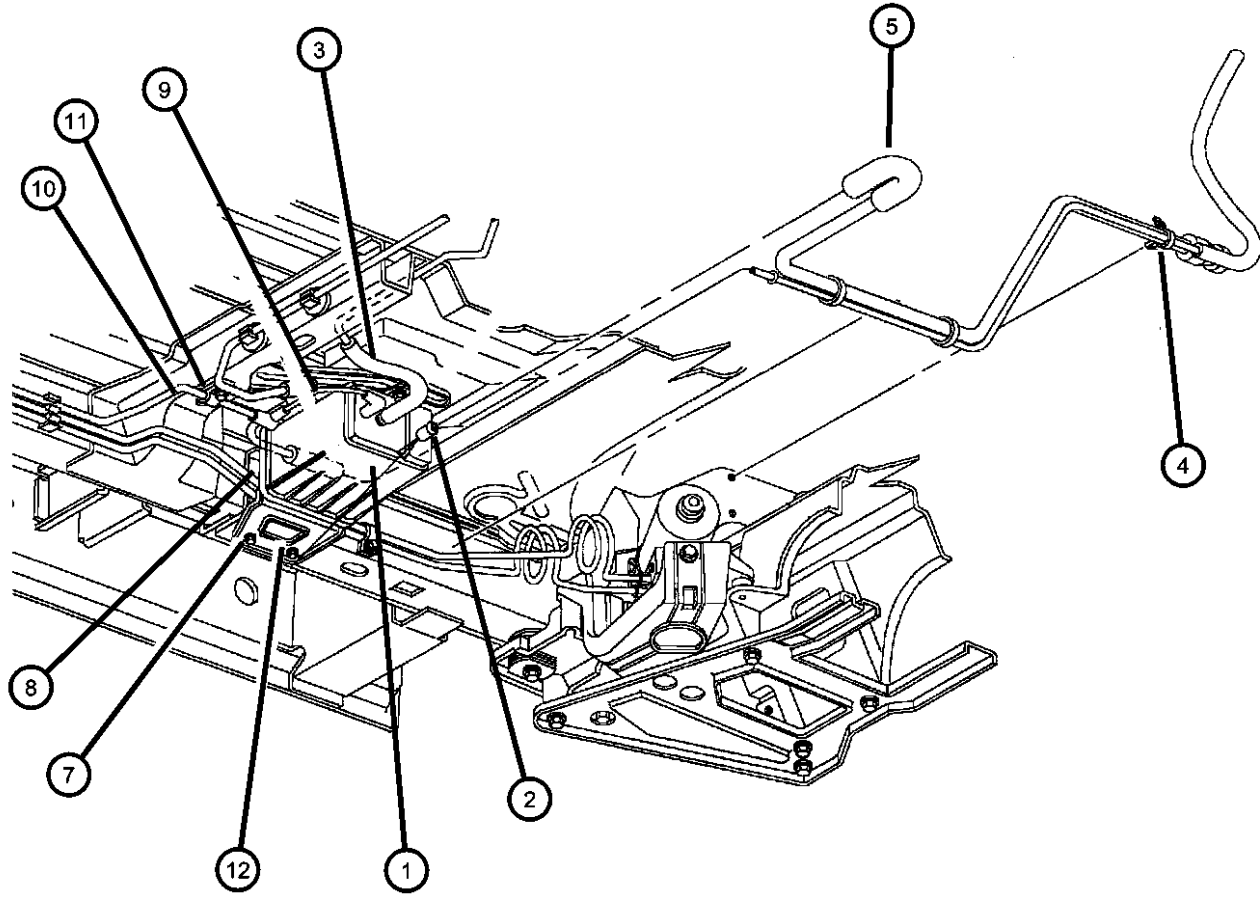
1									GASKET, EGR Tube Flange
	04591218	2				EGA			
		2				EGH			
2									TUBE, EGR
	04612205	1				EGA			
		1				EGH			
3									SCREW AND WASHER, Hex Head, M8x1.25x20
	06101452	4				EGA			
		2				EGH			
4									GASKET, EGR Valve Flange
	04300297	1				EGA			
		1				EGH			
5									VALVE, EGR
	04287189	1				EGA			
		1				EGH			



AR = use ase required - = Non illustrated part

Vacuum Canister GS
Figure 25-310

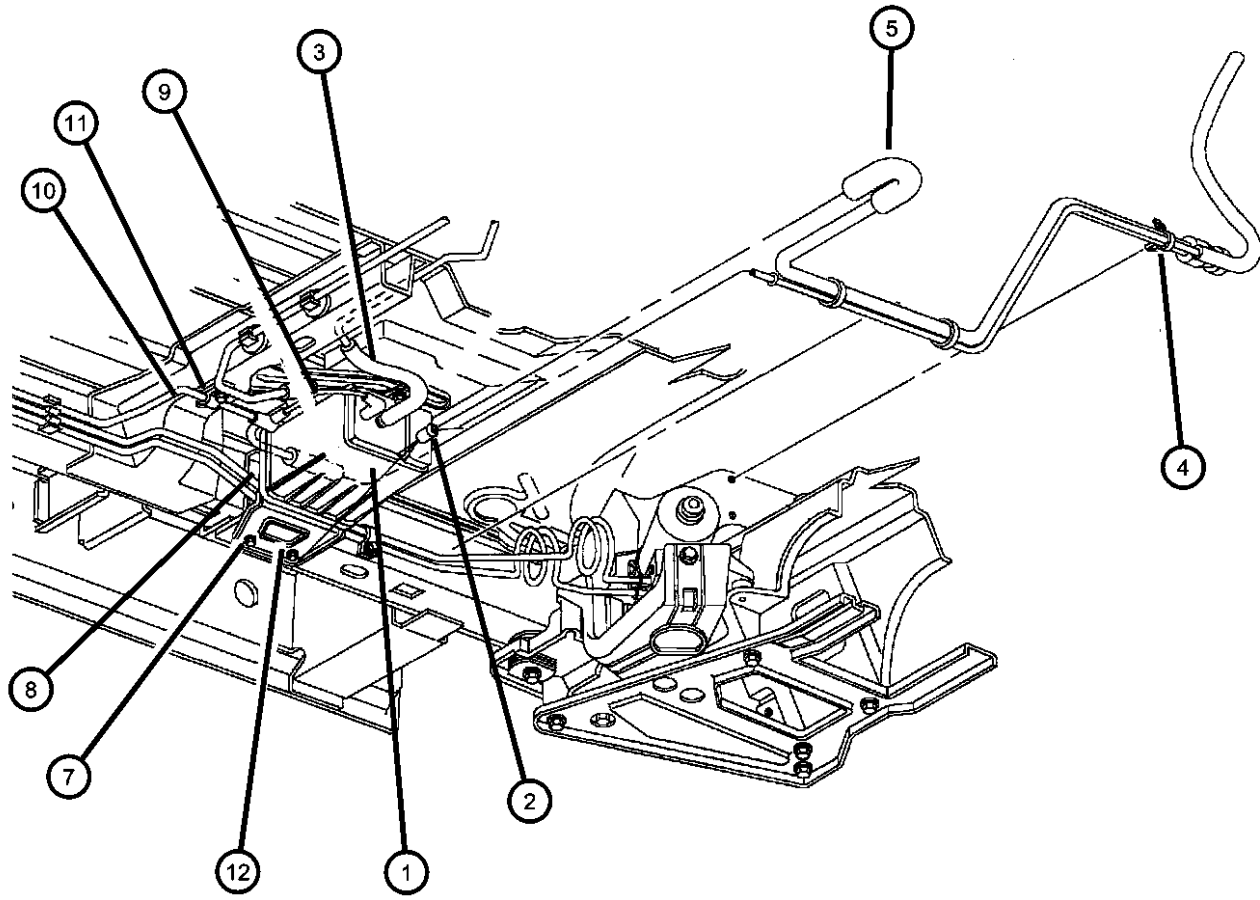
ITEM	PART NUMBER	QTY	LINE	SERIES	BODY	ENGINE	TRANS	TRIM	DESCRIPTION
NOTE: Sales Codes: LHD=Left Hand Drive RHD=Right Hand Drive DD3=5 Speed Manual Transmission DGL=4 Speed Automatic Transmission ECB=2.0L 4Cyl. SOHC 16V EDZ=2.4L 4Cyl. DOHC 16V EGA=3.3L V-6 MPI EGH=3.8L V-6 MPI									
1	05281263	1				ECB, EDZ, EGA, EGH			CANISTER, Vapor
2									CAP, Vacuum
	04612711	1	Y			EDZ, EGA			
		1	C			EGH			
		1	Z			ECB			
		1	U			EGH			
3	05281371	1				ECB, EDZ, EGA, EGH			HOSE, Vapor Canister Purge
4									CLIP, Line and Hose
	06004514	1	Y			ECB, EDZ, EGA			
		1	C			EGH			
		1	Z			ECB, EGA			
		1	U			EGH			
5									HARNESS, Vapor Canister Vent
	04612296	1	Y			ECB, EDZ, EGA			LHD - FWD - Except 3.8L
	04612807	1	C			EGH			LHD - AWD - 3.8L Engine
	04861002	1	Z			ECB, EGA			RHD - FWD
		1	U			EGH			LHD - FWD - 3.8L Engine
-6	04104272	1				ECB, EDZ, EGA, EGH			TUBE, Roll Stock, .25 I.D.
7	06101452	1				ECB, EDZ, EGA, EGH			SCREW AND WASHER, Hex Head, M8x1.25x20
8	06101467	1				ECB, EDZ, EGA, EGH			NUT, Hex Flange, M8x1.25
9	05281372	1				ECB, EDZ, EGA, EGH			HARNESS, Vapor Canister Load
10	04104272	1				ECB, EDZ, EGA, EGH			TUBE, Roll Stock, .25 I.D.
11									CAP, Vent Tube
	53031643AA	1	Y			ECB, EDZ, EGA			
		1	C			EGH			
		1	Z			ECB, EGA			
12									BRACKET, Vapor Canister



AR = use ase required - = Non illustrated part

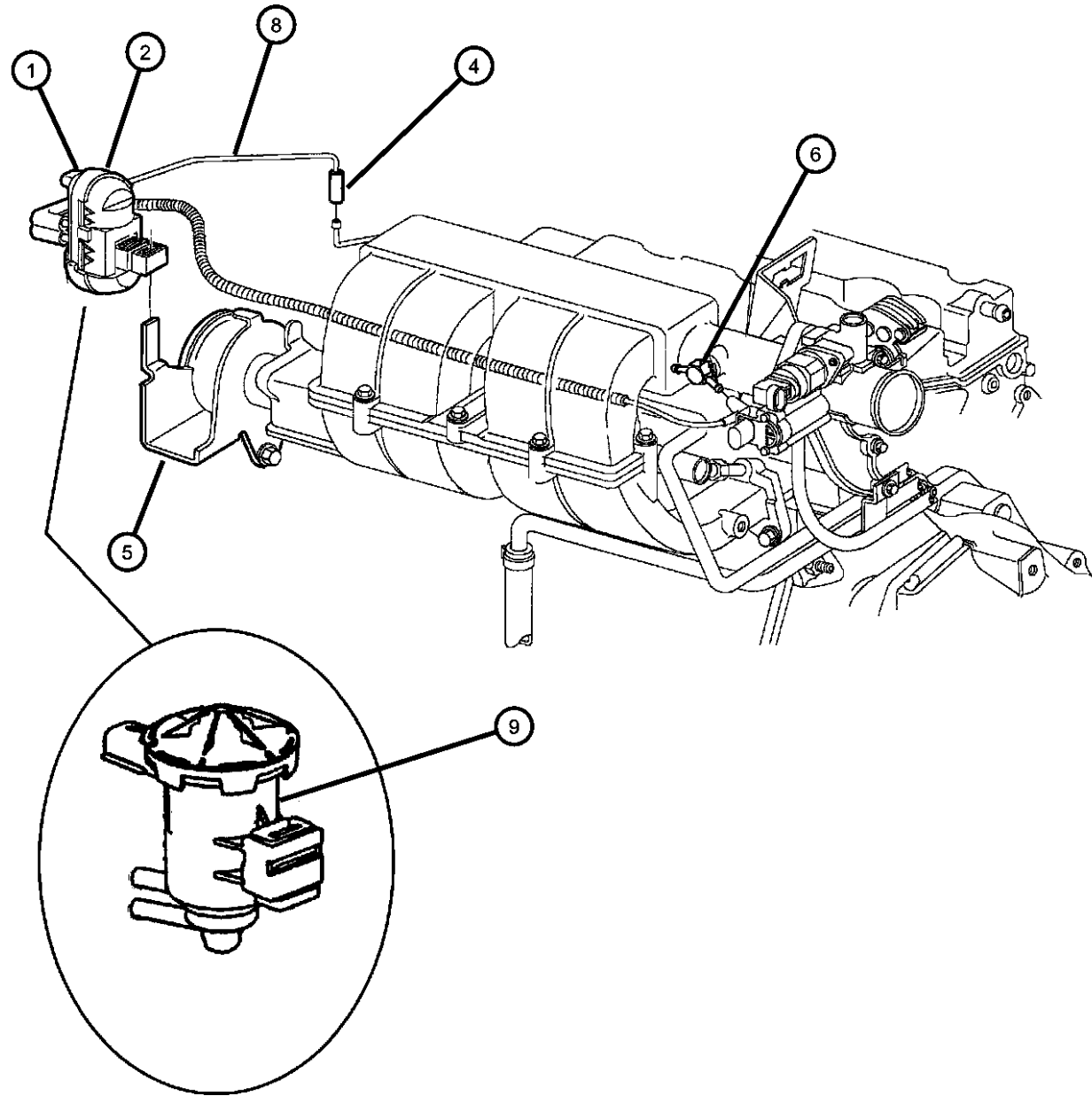
Vacuum Canister GS
Figure 25-310

ITEM	PART NUMBER	QTY	LINE	SERIES	BODY	ENGINE	TRANS	TRIM	DESCRIPTION
	04612660	1				ECB, EDZ, EGA, EGH			to Rail
	04612661	1				ECB, EDZ, EGA, EGH			to Floor



AR = use ase required - = Non illustrated part

Vacuum Harness GS 2.0L-2.4L Engine (ECB-EDZ)
Figure 25-410



ITEM	PART NUMBER	QTY	LINE	SERIES	BODY	ENGINE	TRANS	TRIM	DESCRIPTION
NOTE: Sales Codes: ECB=2.0L 4Cyl. SOHC 16V EDZ=2.4L 4Cyl. DOHC 16V DD3=5 Speed Manual Transmission									
1									SOLENOID, Duty Cycle Purge
	04669475	1				EDZ			
		1				ECB			
2									MUFFLER, Purge Solenoid Noise
	04612717	1				EDZ			
		1				ECB			
-3									TUBE, Convoluted
	04364375	1				ECB			
		1				EDZ			
4									HOSE, Fuel, .31 I.D. 50 Foot Roll
	04443176	3				EDZ			
		1				ECB			
5									BRACKET, Duty Cycle Purge Solenoid
	04796704	1				EDZ			
		1				ECB			
6									CONNECTOR, Manifold Vacuum
	04026117	1				ECB			
	04612890	1				EDZ	DD3		
-7	04669557	1				ECB			BRACKET, Vacuum Harness
8	04669557	1							HARNESS, Proportional Purge Solenoid, (NOT REQUIRED)
9	04669557	1							SOLENOID, Proportional Purge, (NOT REQUIRED)
-10	04612739	1				ECB			HARNESS, Vacuum Body Side
-11									SOLENOID, Vacuum
	05234217	1	C			52			
		1	C			53			

AR = use ase required - = Non illustrated part

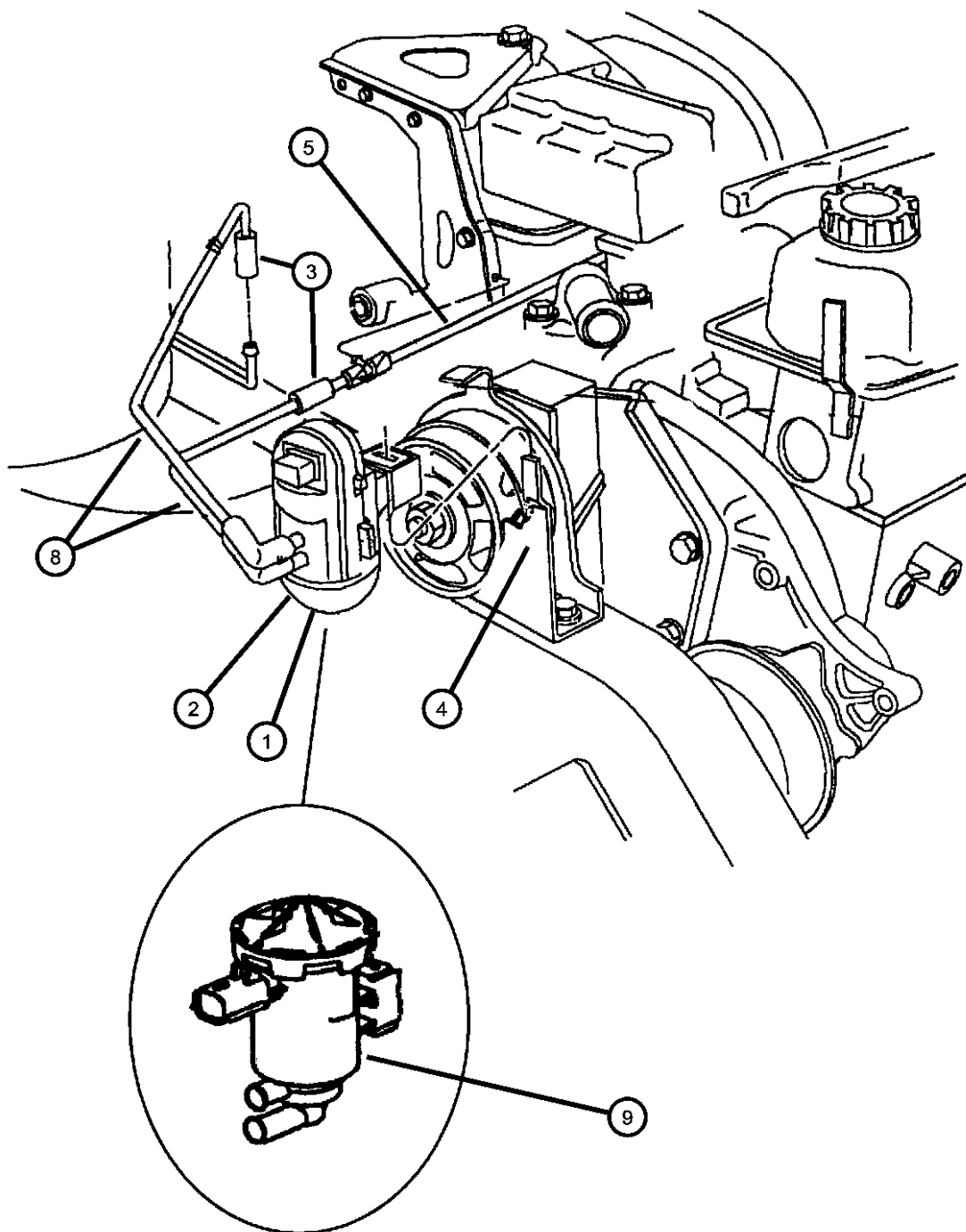
Vacuum Harness GS 3.3L-3.8L Engine (EGA-EGH)

Figure 25-420

ITEM	PART NUMBER	QTY	LINE	SERIES	BODY	ENGINE	TRANS	TRIM	DESCRIPTION
------	-------------	-----	------	--------	------	--------	-------	------	-------------

NOTE:
Sales Codes:
EGA=3.3L V-6 MPI
EGH=3.8L V-6 MPI

1	04669475	1				EGA, EGH			SOLENOID, Duty Cycle Purge
2	04612717	1				EGA, EGH			MUFFLER, Purge Solenoid Noise
3	04443176	2				EGA, EGH			HOSE, Fuel, .31 I.D. 50 Foot Roll
4	04796704	1				EGA, EGH			BRACKET, Duty Cycle Purge Solenoid
5	04612990	1				EGA			HARNESS, Vacuum Engine Side
-6									CLIP, Mounting
	06015288	1				EGA			
		1				EGH			
-7	04612745	1				EGH			CONNECTOR, Vacuum Hose, With Cap
8	04612745	1							HARNESS, Proportional Purge Solenoid, (NOT REQUIRED)
9	04612745	1							SOLENOID, Proportional Purge, (NOT REQUIRED)
-10	04612886	1	C			EGH			HARNESS, Vacuum Source



AR = use ase required - = Non illustrated part

Group - DGS

Doors and Related Parts

Group - DGS Doors and Related Parts

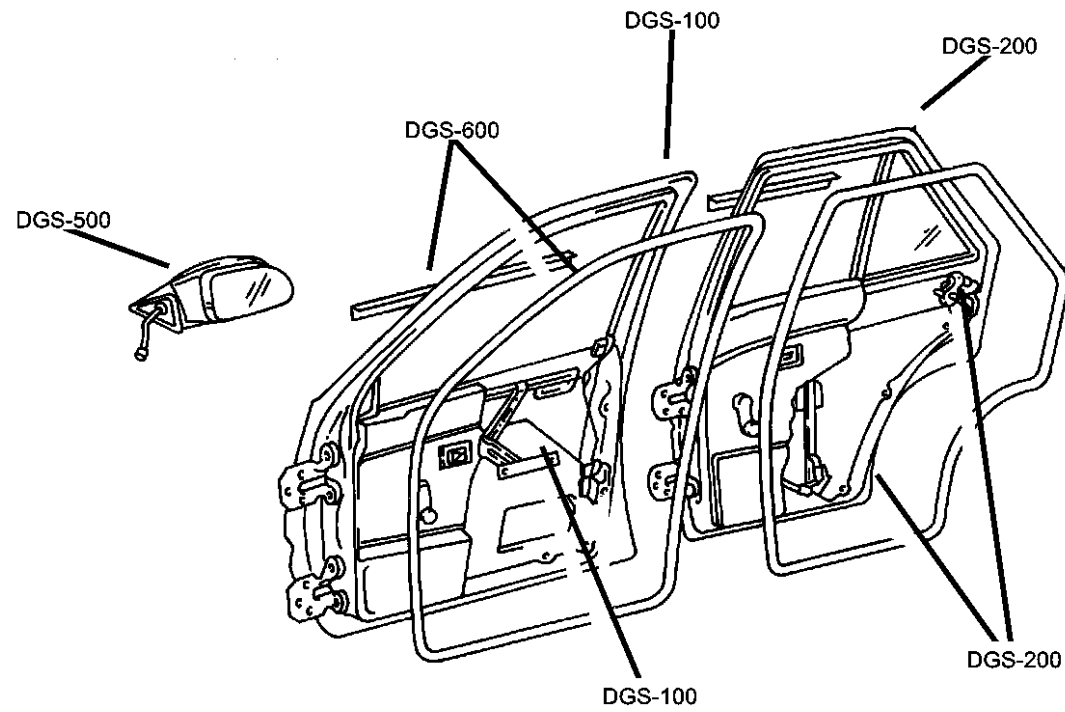


Illustration Title

Group-Fig. No.

Front Door

Door, Front, Shell, Hinges, Handles Fig. DGS - 180
 Door, Front, Glass, Regulator Fig. DGS - 190

Rear Door

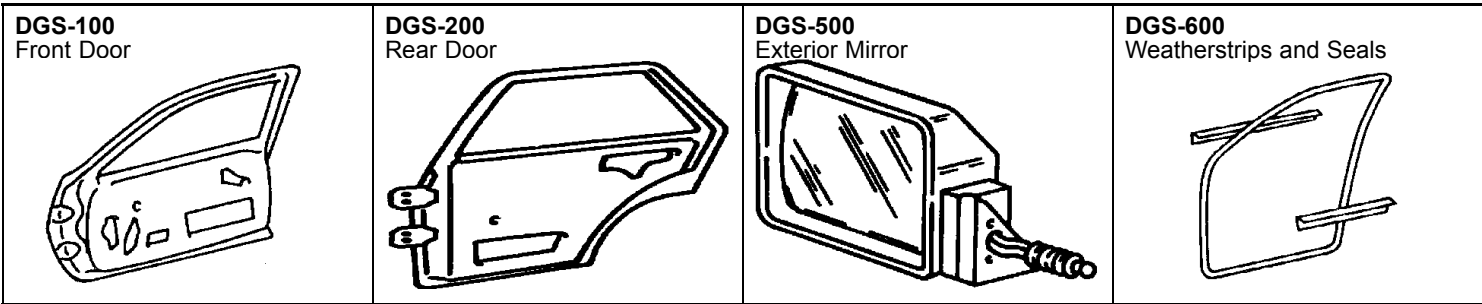
Door, Sliding, Shell, Glass, Controls Fig. DGS - 250
 Door, Sliding, Exterior Handle, and Controls Fig. DGS - 260

Exterior Mirror

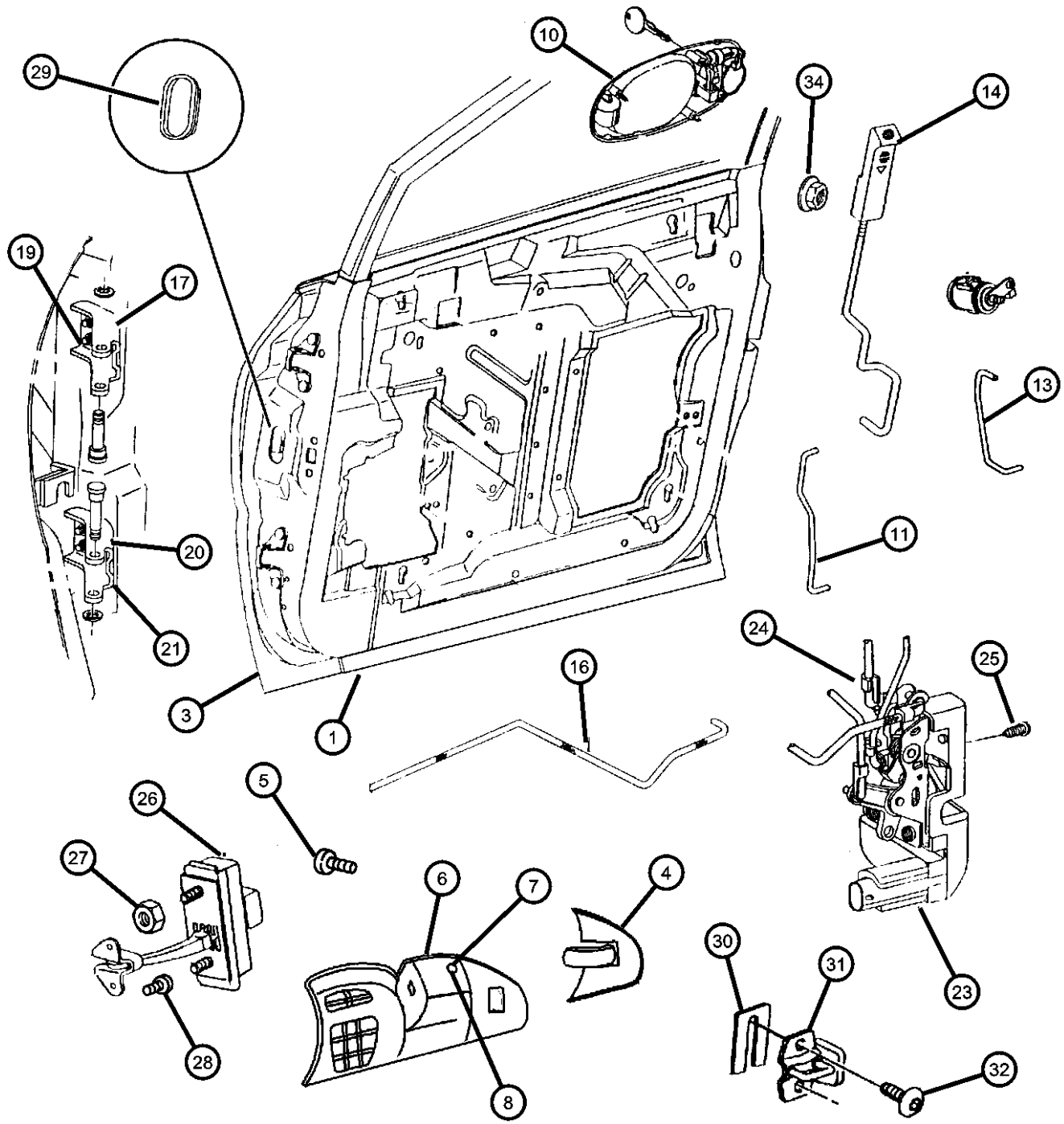
Mirrors, Exterior Fig. DGS - 540

Weatherstrips and Seals

Door, Front and Sliding Weatherstrips Fig. DGS - 650



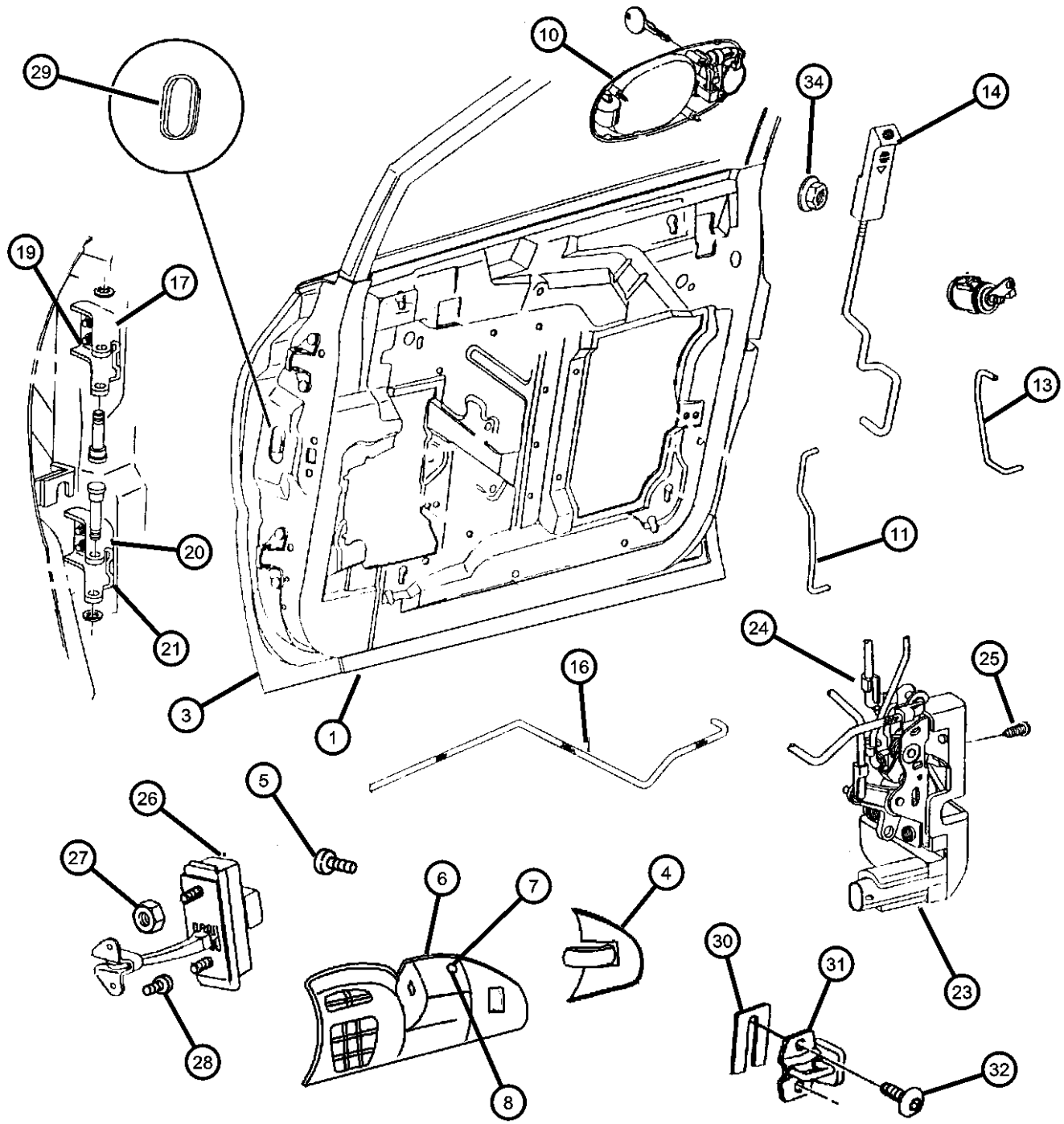
Door, Front, Shell, Hinges, Handles
Figure DGS-180



ITEM	PART NUMBER	QTY	LINE	SERIES	BODY	ENGINE	TRANS	TRIM	DESCRIPTION
1	04717428	1							DOOR, FrontRight
-2									WATERSHIELD, Front Door
	04675538	1							Right
	04675539	1							Left
3	04675559	1							PANEL, Front Door Outer RepairLeft
4									HANDLE, Door Interior
	0HX48SC3	1	C, Y						Mist Gray, Right
		1	U, Z						Mist Gray, Right
	0HX48SK5	1	C, Y						Tan, Right
		1	U, Z						Tan, Right
	0HX48TX9	1	C, Y						Black, Right
		1	U, Z						Black, Right
	0HX49SX9	1	C, Y						Black, Left
		1	U, Z						Black, Left
	0HX49TC3	1	C, Y						Mist Gray, Left
		1	U, Z						Mist Gray, Left
	0HX49TK5	1	C, Y						Tan, Left
		1	U, Z						Tan, Left
5		1							SCREW, (NOT SERVICED),
6									BEZEL, Front Door Trim Panel
	0JE68JX8	1	U, Z						Black [JPD,JPB], Right
	0JE69RC3	1	U, Z						Mist Gray [JPD,JPB], Left
	0JE69RK5	1	U, Z						Tan [JPD,JPB], Left
	0ME76SC3	1	C, Y						Mist Gray [JPD,JPB], Right
	0ME76SK5	1	C, Y						Tan [JPD,JPB], Right
	0ME77SX8	1	C, Y						Black [JPD,JPB], Left
	0PD42SC3	1	C, Y						Mist Gray .w/Power Door Locks [JPB], without Power Windows, Right
	0PD42SK5	1	C, Y						Tan.w/Power Door Locks [JPB], without Power Windows, Right
	0PD43SX8	1	C, Y						Black.w/Power Door Locks [JPB], without Power Windows, Left
	0PE72JX8	1	U, Z						Black.w/Power Door Locks [JPB], without Power Windows, Right
	0PE73RC3	1	U, Z						Mist Gray .w/Power Door Locks [JPB], without Power Windows, Left
	0PE73RK5	1	U, Z						Tan.w/Power Door Locks [JPB], without Power Windows, Left
7									SCREW PLUG, Passenger Door Switch Bezel
	0PF14SC3	1	C, Y						Mist Gray, Right
	0PF14SK5	1	C, Y						Tan, Right

AR = use ase required - = Non illustrated part

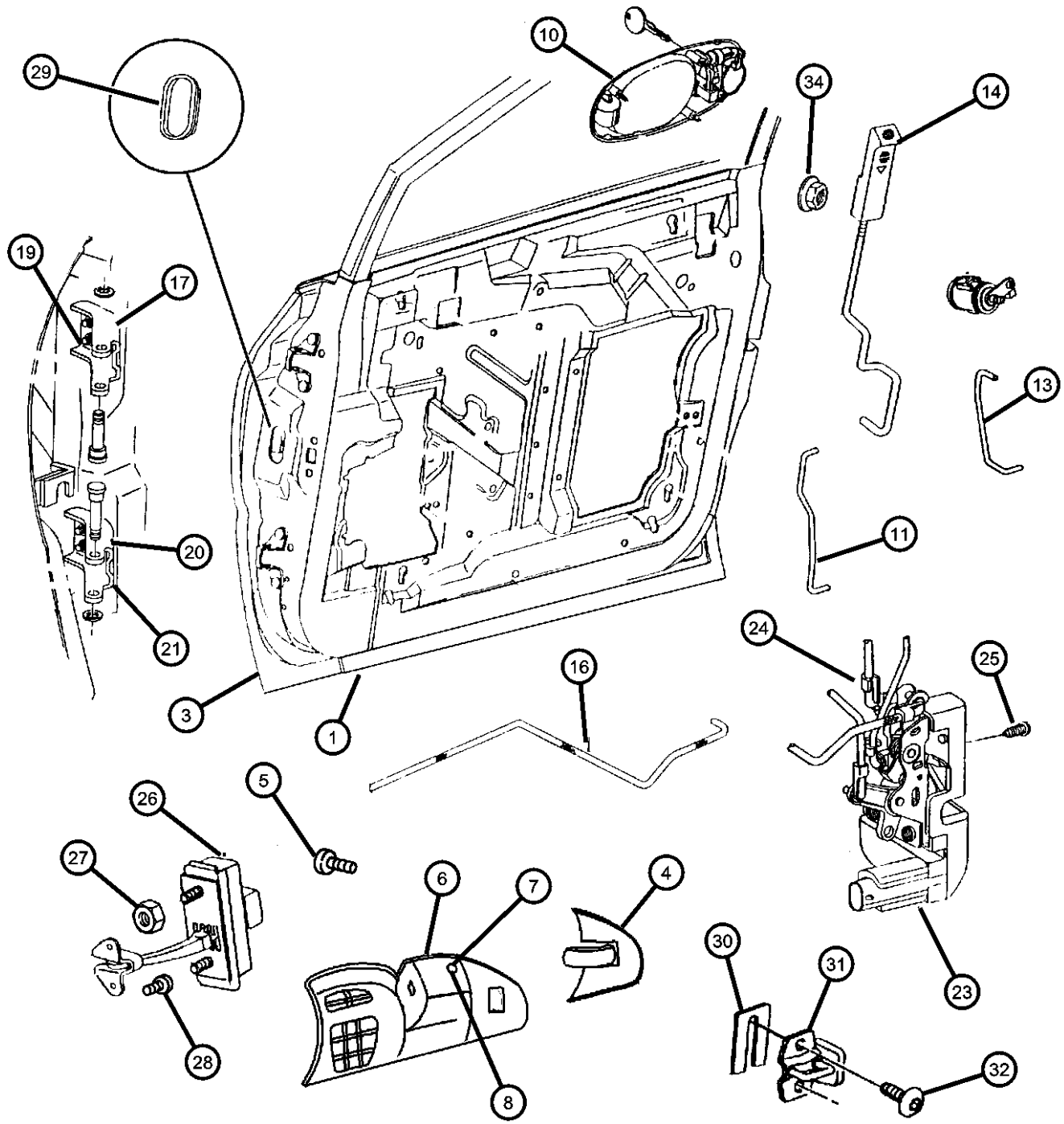
Door, Front, Shell, Hinges, Handles
Figure DGS-180



ITEM	PART NUMBER	QTY	LINE	SERIES	BODY	ENGINE	TRANS	TRIM	DESCRIPTION
8	04685616	1	Z						PLUG, Switch Opening
-9	0MT10SX8	1	C, Y						PLUG, Door Trim Panel, Black, Left
10									HANDLE, Front Door Exterior
	04675616	1		H, L					Flat Black, Right
	04675617	1		H, L					Flat Black, Left
	0GE44SC5	1		P					Blue, Right
		1		S					Blue, Right
	0GE44SEG	1		P					Dark Rosewood, Right
		1		S					Dark Rosewood, Right
	0GE44SG8	1		P					Dark Green, Right
		1		S					Dark Green, Right
	0GE44SJM	1		P					Light Silverfern, Right
		1		S					Light Silverfern, Right
	0GE44SR4	1		P					Red, Right
		1		S					Red, Right
	0GE44SW7	1		P					White, Right
		1		S					White, Right
	0GE44SX8	1		P					Black, Right
		1		S					Black, Right
	0GE44TCN	1		P					Amethyst, Right
		1		S					Amethyst, Right
	0GE44TTK	1		P					Taupe, Right
		1		S					Taupe, Right
	0GE45SC5	1		S					Blue, Left
		1		P					Blue, Left
	0GE45SEG	1		S					Dark Rosewood, Left
		1		P					Dark Rosewood, Left
	0GE45SG8	1		S					Dark Green, Left
		1		P					Dark Green, Left
	0GE45SJM	1		S					Light Silverfern, Left
		1		P					Light Silverfern, Left
	0GE45SR4	1		S					Red, Left
		1		P					Red, Left
	0GE45SW7	1		S					White, Left
		1		P					White, Left
	0GE45SX8	1		S					Black, Left
		1		P					Black, Left
	0GE45TCN	1		S					Amethyst, Left
		1		P					Amethyst, Left
	0GE45TTK	1		S					Taupe, Left

AR = use ase required - = Non illustrated part

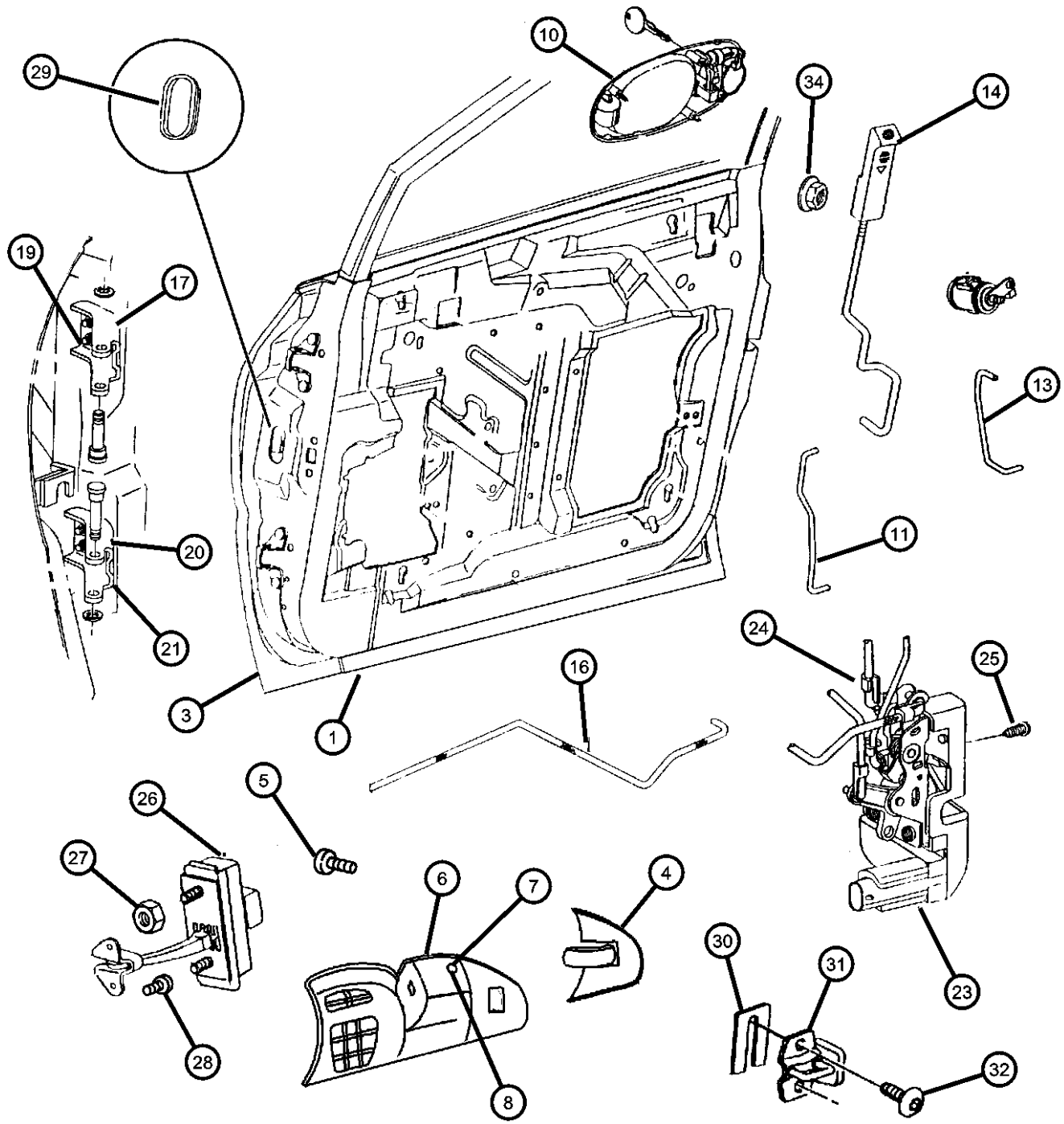
Door, Front, Shell, Hinges, Handles
Figure DGS-180



ITEM	PART NUMBER	QTY	LINE	SERIES	BODY	ENGINE	TRANS	TRIM	DESCRIPTION
									Taupe, Left
11		1		P					LINK, Exterior Door Handle
	04675626	1							Right
	04675627	1							Left
-12	04717164	2							CLIP, Outside Door Handle
13									LINK, Key Cylinder To Latch
	04675628	1							Right
	04675629	1							Left
14									KNOB, Door Lock
	0HX46SC3	1							Mist Gray, Right
	0HX46SK5	1							Tan, Right
	0HX47SC3	1							Mist Gray, Left
	0HX47SK5	1							Tan, Left
-15									BEZEL, Front Door Locking Knob
	0HS54SC3	1			C, Y				Mist Gray
		1			Z				Mist Gray
	0HS54SK5	1			C, Y				Camel Tan
		1			Z				Camel Tan
16									LINK, Remote Handle to Latch
	04675622	1							Right
	04675623	1							Left
17									HINGE, Front Door, Upper
	04717208	1							Right
	04717209	1							Left
-18	04797899	1							PIN, Door Hinge, Serviced in Hinge Assy,
19	06503991	8							SCREW AND WASHER, Hex Head
20									HINGE, Front Door, Lower
	04717210	1							Lower, Right
	04717211	1							Lower, Left
21	04717331	AR							SHIM, Door Hinge
-22	04754778	2							WASHER, Door Hinge Pivot
23									LATCH, Front Door
	04675584	1							W/ Power Door Locks [JPB], Right
	04675585	1							W/ Power Door Locks [JPB], Left
	04675630	1							w/o Power Door Locks, Right
	04675631	1							w/o Power Door Locks, Left
24									CLIP, Latch Link
	04658674	1							Right
	04658675	1							Left

AR = use ase required - = Non illustrated part

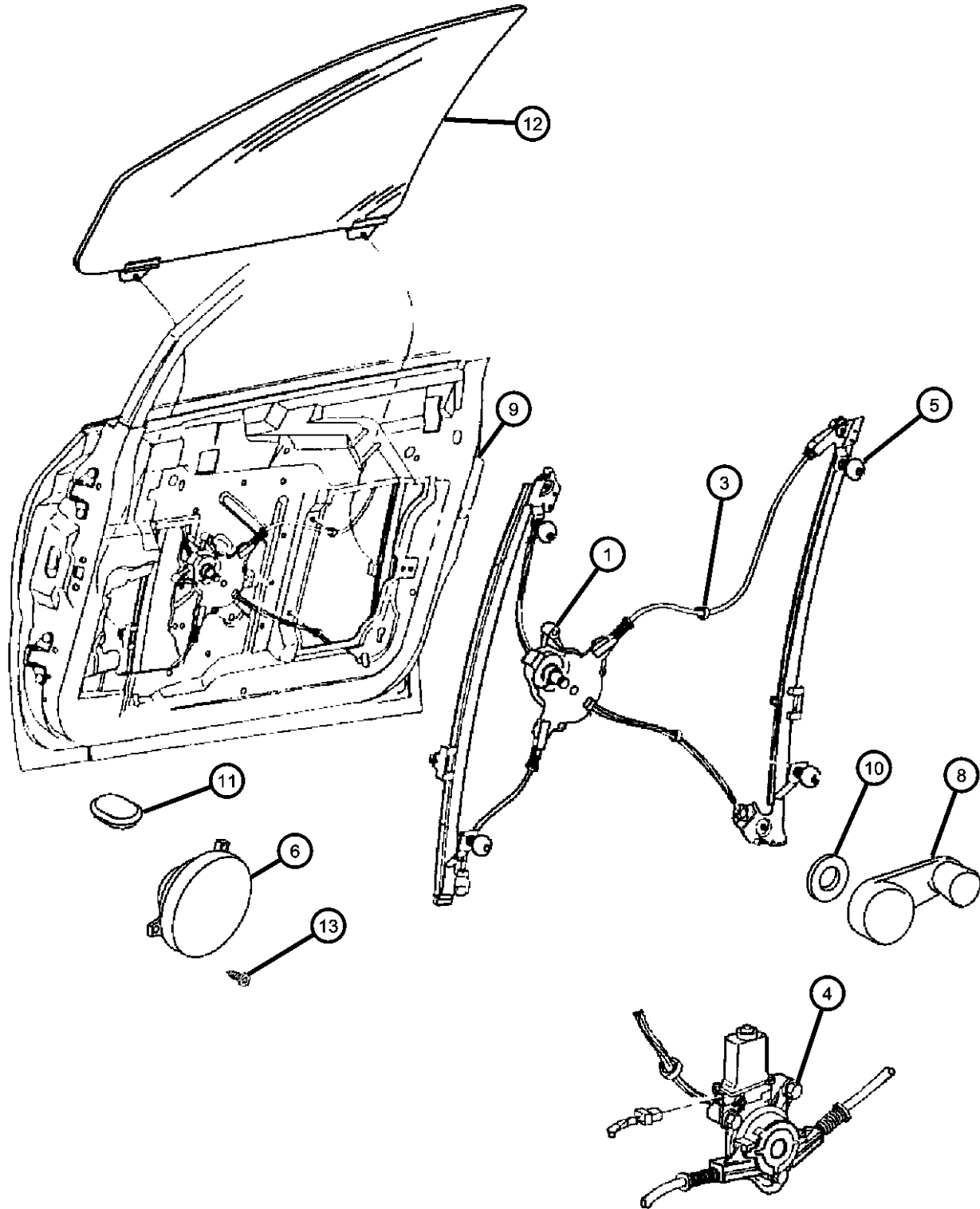
Door, Front, Shell, Hinges, Handles
Figure DGS-180



ITEM	PART NUMBER	QTY	LINE	SERIES	BODY	ENGINE	TRANS	TRIM	DESCRIPTION
25	06034840	6							SCREW, Tapping, .25-14x1.85
26									CHECK, Front Door
	04717228	1							Right
	04717229	1							Left
27	06500284	4							NUT, Hex, M6x1.00
28	06504041	4							SCREW AND WASHER, Hex Head, M6x1x30
29	04707221	2							PLUG, Body, 30MMx63MM
30	04520289	AR							SPACER, Door Latch Striker
31	04675624	2							STRIKER AND BUMPER, Door Latch
32	06503881	4							SCREW, Oval Head, M8x1.25x39.5
-33									SEAL, Front Door Belt
	04675532	2							Rear
	04675542	2							Front
34	06500284	4							NUT, Hex, M6x1.00
-35	04707356	1	Z						BRACKET, Front Door Lower

AR = use ase required - = Non illustrated part

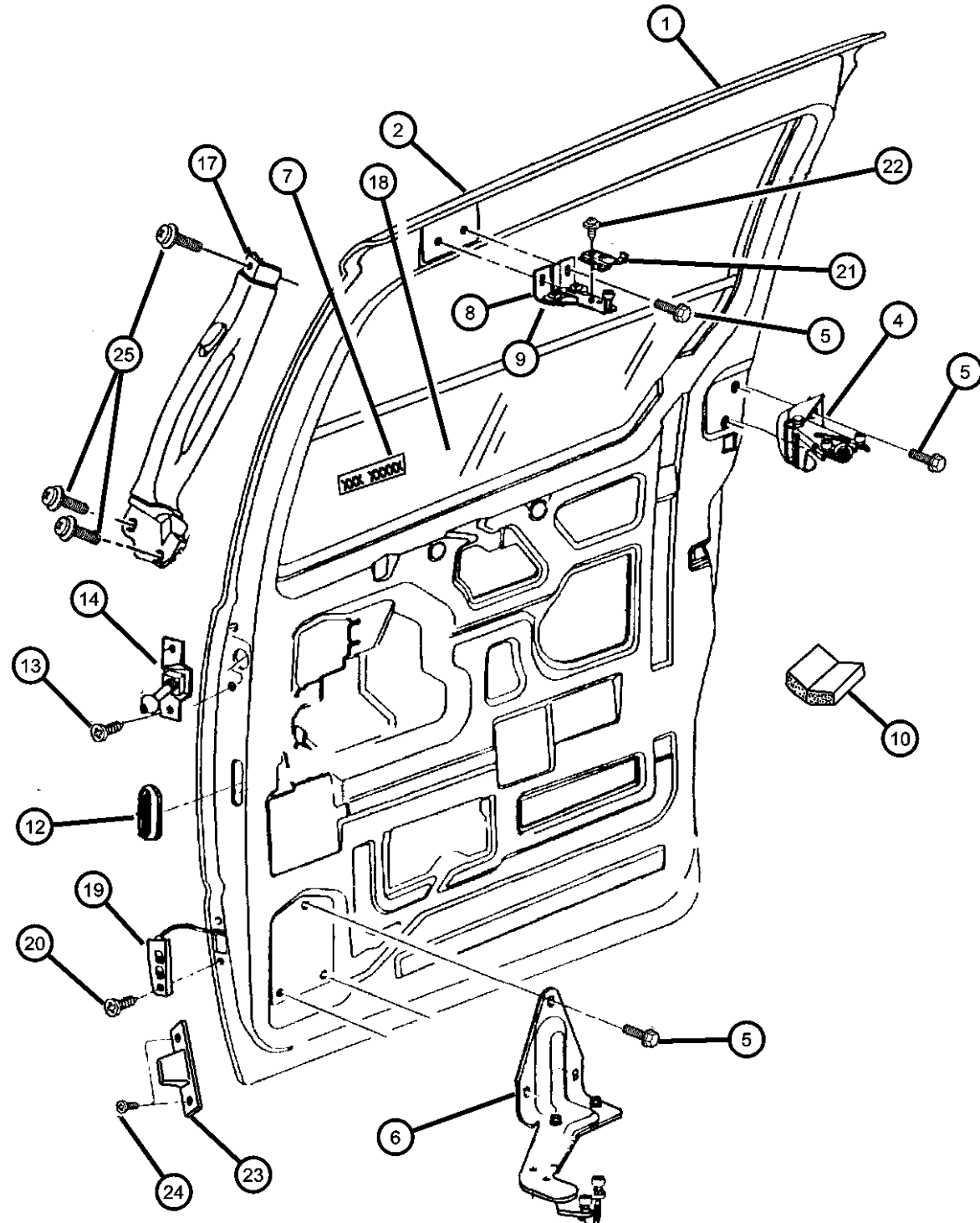
**Door, Front, Glass, Regulator
Figure DGS-190**



ITEM	PART NUMBER	QTY	LINE	SERIES	BODY	ENGINE	TRANS	TRIM	DESCRIPTION
1									REGULATOR, Front Door Window
	04675602	1							Manual, Right
	04675603	1							Manual, Left
	04796306	1							Electric, Right
	04796307	1							Electric, Left
-2	04796314	1							NUT, Well
3	04796316	1							CLIP, Cable
4									MOTOR, Window Regulator
	04796318	1							Right
	04796319	1							Left
5	06503526	2							SCREW, Truss Head, M6x1x15
6	04685694	2							SPEAKER, Front Door
-7	04685450	1							CHOKE, Speaker
8									HANDLE, Window Regulator
	0JC09SC3	2							Mist Gray
	0JC09SK5	2							Tan
9									BEZEL, Front Door Trim Panel
	0HH12SC3	1	C, Y						Mist Gray, Right
	0HH13SX8	1	C, Y						Black, Left
	0JE68JX8	1	U, Z						Black, w/Power Locks and Power Windows, Right
	0JE69RC3	1	U, Z						Mist Gray, w/Power Locks and Power Windows, Left
	0JE69RK5	1	U, Z						Tan, w/Power Locks and Power Windows, Left
	0ME76SC3	1	C, Y						Mist Gray, w/Power Locks and Power Windows, Right
	0ME77SX8	1	C, Y						Black, w/Power Locks and Power Windows, Left
	0PE72JX8	1	U, Z						Black, w/Power Locks, Right
	0PE73RC3	1	U, Z						Mist Gray, w/Power Locks, Left
	0PE73RK5	1	U, Z						Tan, w/Power Locks, Left
10									SPACER, Window Regulator
	0GY80SC3	2							Mist Gray
	0GY80SK5	2							Tan
11	02895126	4							PLUG, Body, 1.25x.50
12									GLASS, Front Door
	04717046	1							Right
	04717047	1							Left
13	04717047	1							SCREW, (NOT SERVICED)

AR = use ase required - = Non illustrated part

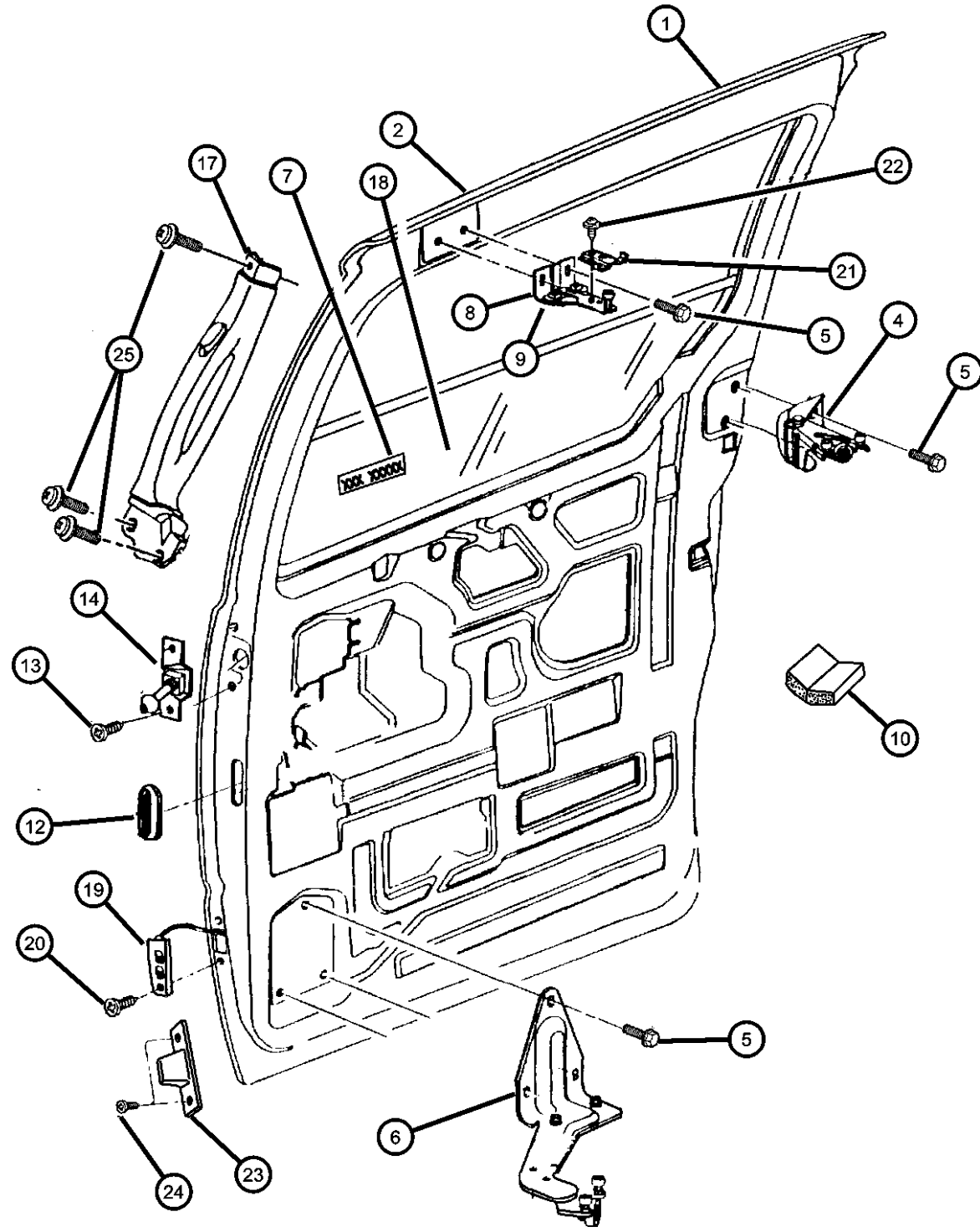
Door, Sliding, Shell, Glass, Controls
Figure DGS-250



ITEM	PART NUMBER	QTY	LINE	SERIES	BODY	ENGINE	TRANS	TRIM	DESCRIPTION
1	04675658AC	1							DOOR, Sliding Right
	04675659AC	1							Left
2	04675662AB	1							PANEL, Sliding Door Right
	04675663AB	1							Left
-3	04717377AB	1							BUMPER, Sliding Door
4	04717378	1							HINGE, Sliding Door Body Side Right
	04717379	1							Left
5	06504472	2							SCREW AND WASHER, Hex Head, M6 x 1.00 x 23.30
6	04675648	1							HINGE, Sliding Door Body Side Right
	04675649	1							Left
7	04490361	1							LABEL, Child Protection Lock, English
	04615722	1							Door Glass (French), Right Door Mounted, Right
	04615729	1							Door Mounted, Left Door Glass (English), Right
	04717192	1							Door Glass (English), Left
	04717193	1							Door Glass (French), Left
8	04675652	1							HINGE, Sliding Door Body Side
9	04675652	1							HINGE, Sliding Door, (NOT REQUIRED)
10	04696371	1							FOAM PAD, Antirattle Rear Door Lock
-11	0KK36SC3	2							PLUG, Sliding Door/Liftgate Mist Gray
	0KK36SK5	2							Tan
12	04717107	1							GROMMET, Sliding Door Child Guard
13	06503448	1							SCREW, Round Head, M8x1.25x30
14	04675872	1							STRIKER, Door Latch Right, Sliding Door
	04717467	1							Sliding Door, Left, Sliding Door
-15	04717190	1							WATERSHIELD, Sliding Door Striker
-16	04717320	AR							SHIM
17	0HT20SC1	1							HANDLE, Sliding Door Blue, Right
	0HT20SK4	1							Tan, Right
	0HT21SC1	1							Blue, Left

AR = use ase required - = Non illustrated part

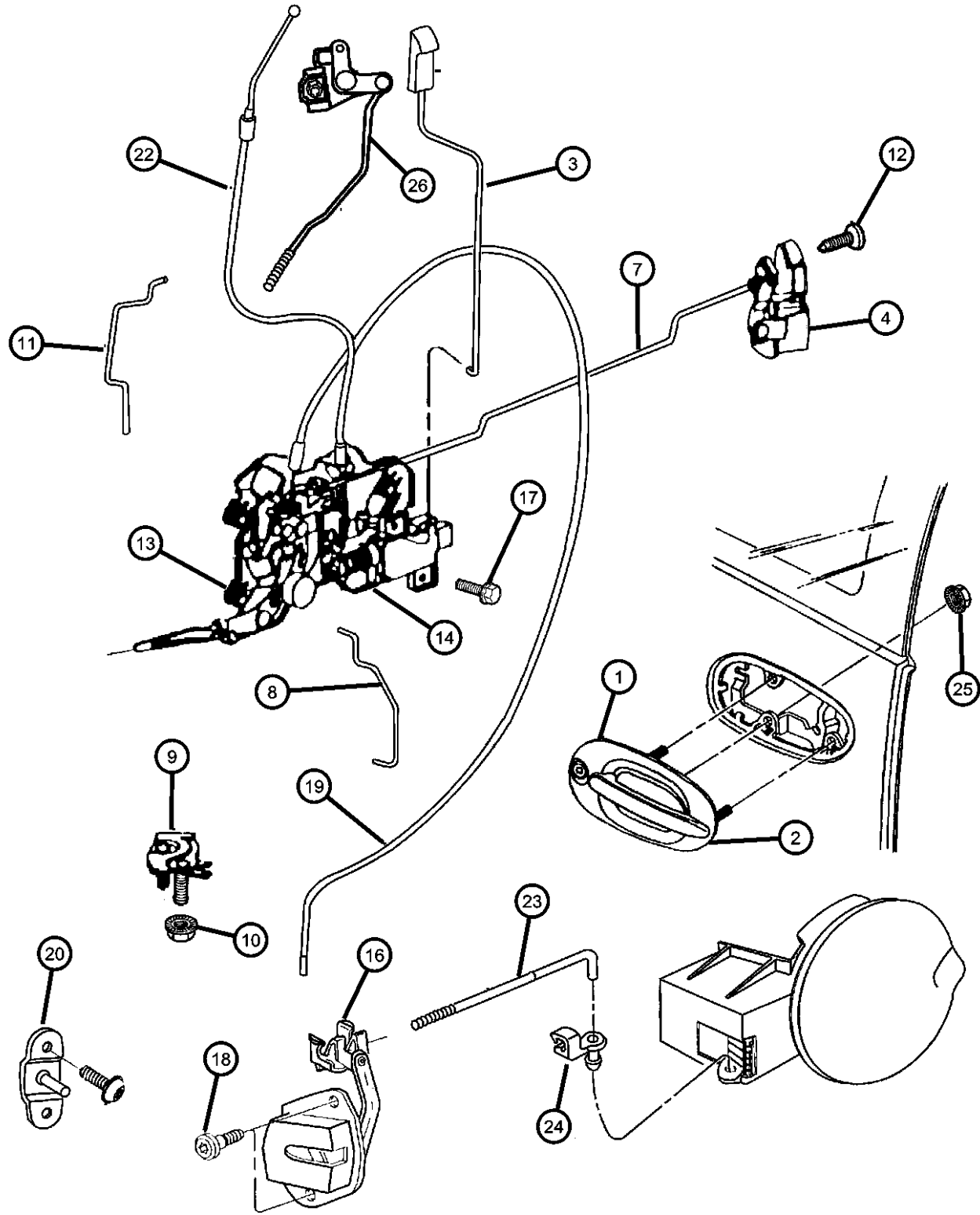
Door, Sliding, Shell, Glass, Controls
Figure DGS-250



ITEM	PART NUMBER	QTY	LINE	SERIES	BODY	ENGINE	TRANS	TRIM	DESCRIPTION
	0HT21SK4	1							Tan, Left
18									GLASS, Sliding Door
	04675744	1							Tint, Right
	04675745	1							Tint, Left
	04717174	1							Solar, Right
	04717175	1							Solar, Left
19									PLUNGER, Power Door Lock
	04707802	1							Right
	04707803	1							Left
20	06503267	4							SCREW, Round Head, M6x1x25
21	04675654	1							BUMPER, Sliding Door Hinge
22	06503526	1							SCREW, Truss Head, M6x1x15
23	04675516	2							STABILIZER, Sliding Door
24	06101780	1				53			SCREW, M6x1x25
25	06101780	1							SCREW, (NOT SERVICED)
-26	04897971AA	1							TAPE, Sliding Door Inner Panel Reflector

AR = use ase required - = Non illustrated part

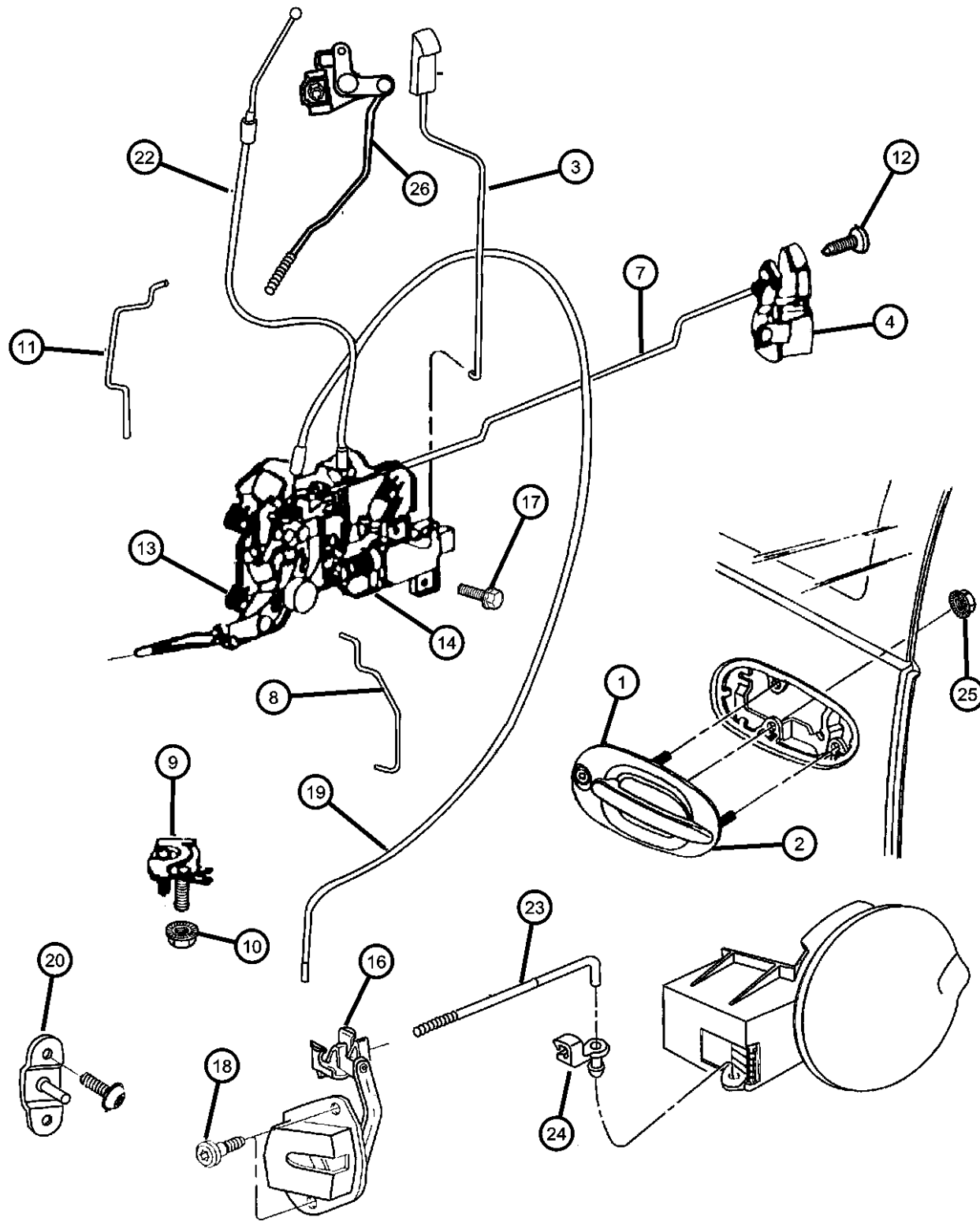
**Door, Sliding, Exterior Handle, and Controls
Figure DGS-260**



ITEM	PART NUMBER	QTY	LINE	SERIES	BODY	ENGINE	TRANS	TRIM	DESCRIPTION
1									HANDLE, Sliding Door Exterior, w/o Key Cylinder Hole
	04675842	1		H, L					Flat Black, w/o Keyless Entry, Right
	04675843	1		H, L					Flat Black, w/o Keyless Entry, Left
	04717402	1		H, L					Black, Right
	04717403	1		H, L					Black, Left
	0QK00SBK	1		S					Medium Blue, Right
		1		P					Medium Blue, Right
	0QK00SC5	1		S					Twilight Blue, Right
		1		P					Twilight Blue, Right
	0QK00SCW	1		S					Dark Iris, Right
		1		P					Dark Iris, Right
	0QK00SEG	1		S					Dark Rosewood, Right
		1		P					Dark Rosewood, Right
	0QK00SG8	1		S					Forest Green, Right
		1		P					Forest Green, Right
	0QK00SJM	1		S					Light Silverfern, Right
		1		P					Light Silverfern, Right
	0QK00SR4	1		S					Red, Right
		1		P					Red, Right
	0QK00SW7	1		S					Bright White, Right
		1		P					Bright White, Right
	0QK00SX8	1		S					Black, Right
		1		P					Black, Right
	0QK00TCN	1		S					Amethyst, Right
		1		P					Amethyst, Right
	0QK00TTK	1		S					Taupe Frost, Right
		1		P					Taupe Frost, Right
	0QK01SBK	1		S					Medium Blue, Left
		1		P					Medium Blue, Left
	0QK01SC5	1		S					Twilight Blue, Left
		1		P					Twilight Blue, Left
	0QK01SCW	1		S					Dark Iris, Left
		1		P					Dark Iris, Left
	0QK01SEG	1		S					Dark Rosewood, Left
		1		P					Dark Rosewood, Left
	0QK01SG8	1		S					Forest Green, Left
		1		P					Forest Green, Left
	0QK01SJM	1		S					Light Silverfern, Left
		1		P					Light Silverfern, Left
	0QK01SR4	1		S					Red, Left

AR = use ase required - = Non illustrated part

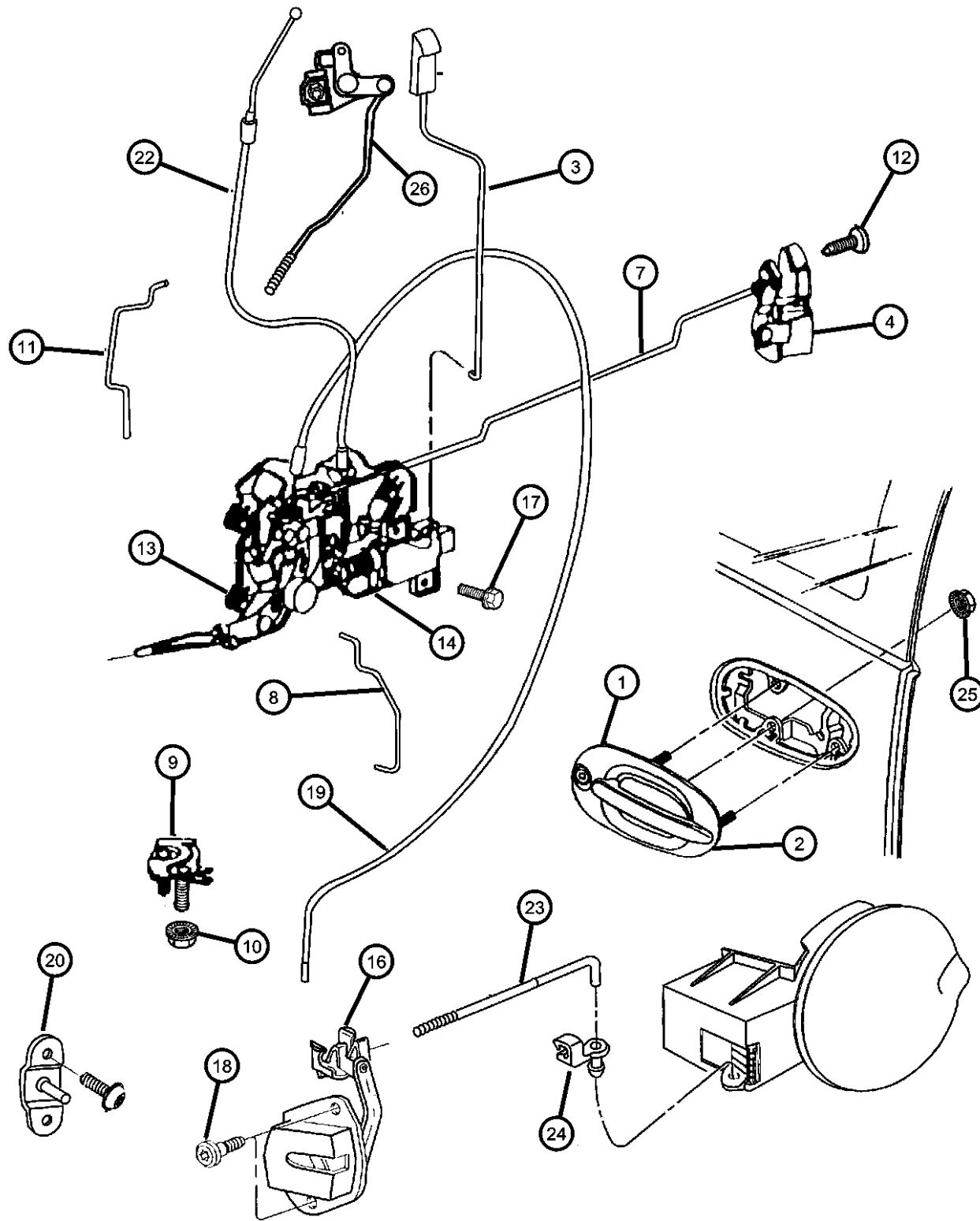
Door, Sliding, Exterior Handle, and Controls
Figure DGS-260



ITEM	PART NUMBER	QTY	LINE	SERIES	BODY	ENGINE	TRANS	TRIM	DESCRIPTION
		1		P					Red, Left
	0QK01SW7	1		S					Bright White, Left
		1		P					Bright White, Left
	0QK01SX8	1		S					Black, Left
		1		P					Black, Left
	0QK01TCN	1		S					Amethyst, Left
		1		P					Amethyst, Left
	0QK01TTK	1		S					Taupe Frost, Left
		1		P					Taupe Frost, Left
2									HANDLE, Sliding Door Exterior, with Key Cylinder Hole
	0GV98SC5	1		S					Iris, Right
		1		P					Iris, Right
	0GV98SEG	1		S					Dark Rosewood, Right
		1		P					Dark Rosewood, Right
	0GV98SG8	1		S					Dark Green, Right
		1		P					Dark Green, Right
	0GV98SJM	1		S					Silverfern, Right
		1		P					Silverfern, Right
	0GV98SR4	1		S					Red, Right
		1		P					Red, Right
	0GV98SW7	1		S					Bright White, Right
		1		P					Bright White, Right
	0GV98SX8	1		S					Black (Gloss), Right
		1		P					Black (Gloss), Right
	0GV98TCN	1		S					Amethyst, Right
		1		P					Amethyst, Right
	0GV98TTK	1		S					Taupe Frost, Right
		1		P					Taupe Frost, Right
	04717400	1		H, L					Black (Flat), Right
	04717401	1		H, L					Black (Flat), Left
	0GV99SC5	1		P					Iris, Left
		1		S					Iris, Left
	0GV99SEG	1		P					Dark Rosewood, Left
		1		S					Dark Rosewood, Left
	0GV99SG8	1		P					Dark Green, Left
		1		S					Dark Green, Left
	0GV99SJM	1		P					Silverfern, Left
		1		S					Silverfern, Left
	0GV99SR4	1		P					Red, Left
		1		S					Red, Left

AR = use ase required - = Non illustrated part

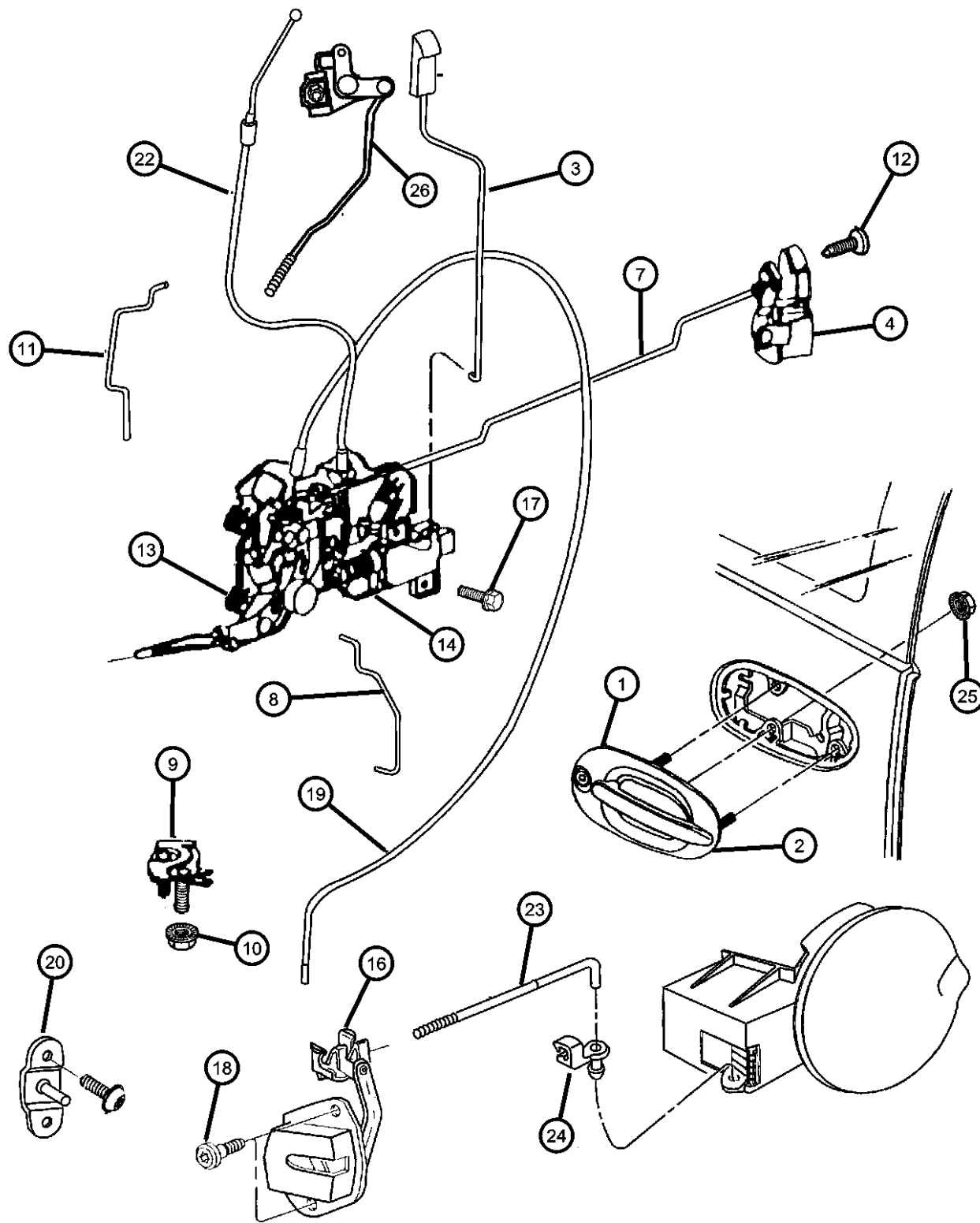
Door, Sliding, Exterior Handle, and Controls
Figure DGS-260



ITEM	PART NUMBER	QTY	LINE	SERIES	BODY	ENGINE	TRANS	TRIM	DESCRIPTION
	0GV99SW7	1		P					Bright White, Left
		1		S					Bright White, Left
	0GV99SX8	1		P					Black (Gloss), Left
		1		S					Black (Gloss), Left
	0GV99TCN	1		P					Amethyst, Left
		1		S					Amethyst, Left
	0GV99TTK	1		P					Taupe Frost, Left
		1		S					Taupe Frost, Left
3									KNOB AND LINK, Door Lock
	0PM26SC3	1							Mist Gray, Right
	0PM26SK5	1							Tan, Right
	0PM27SC3	1							Mist Gray, Left
	0PM27SK5	1							Tan, Left
4									LATCH, Sliding Door
	04717338	1							Right
	04717339	1							Left
-5	04717195	1							CLIP, Latch Link, Latch Locking Rod
-6	04658674	1							CLIP, Latch Link, Latch Rod Retaining
7									LINK, Latch Release
	04717434	1							Right
	04717435	1							Left
8									LINK, Key Cylinder To Latch
	04675628	1							Right
	04675629	1							Left
9									LATCH, Sliding Door Hold Open
	04675846	1							Right
	04675847	1							Left
10	06500274	2							LOCK NUT, M6x1.0x6
11									LINK, Exterior Door Handle
	04717304	1							Right
	04717305	1							Left
12	06504212	3							SCREW, Large Round Washer Head Lock, M6x1.00x20.00
13									CONTROL, Sliding Door, With Child Guard, Manual
	04717502AA	1							Right
	04717503AA	1							Left
14									CONTROL, Sliding Door, With Child Guard, Power
	04717500AA	1							Right
	04717501AA	1							Left

AR = use ase required - = Non illustrated part

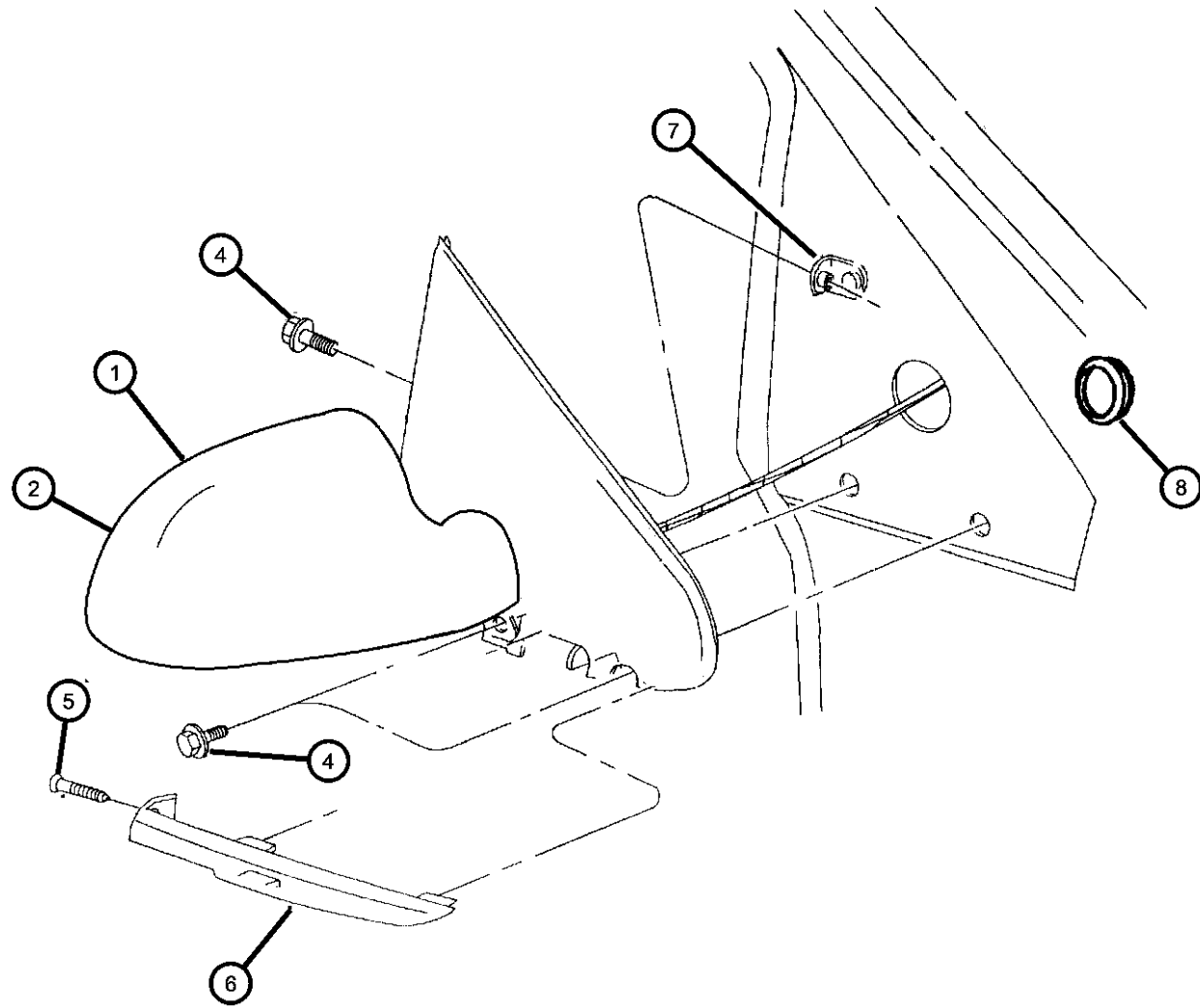
Door, Sliding, Exterior Handle, and Controls
Figure DGS-260



ITEM	PART NUMBER	QTY	LINE	SERIES	BODY	ENGINE	TRANS	TRIM	DESCRIPTION
-15									COVER, Sliding Door Control
	04717276	1							Right
	04717277	1							Left
16	04717371	1							STOP, Fuel Filler Door To Sliding Door Lockout
17	04717371	1							SCREW, (NOT SERVICED)
18	06503526	2							SCREW, Truss Head, M6x1x15
19	04675790	1							CABLE, Sliding Door Latch
20									STRIKER, Sliding Door Stop
	04717318	1							Right
	04717319	1							Left
-21	04675987	1							STRIKER, Sliding Door Stop, to Fuel Filler
22	04717256	1							CABLE, Sliding Door Release
23									LINK, Fuel Door to Sliding Door
	04717359	1			53				
	04717370	1			52				
24	04717164	1							CLIP, Outside Door Handle
25	06500284	4							NUT, Hex, M6x1.00
26									LEVER, Sliding Door
	04717498AA	1							Right
	04717499AA	1							Left
-27									BUTTON, Door Handle
	0HX23SC1	1							Blue, Left
	0HX23SK4	1							Tan, Left
	0HX22SC1	1							Blue, Right
	0HX22SK4	1							Tan, Right

AR = use ase required - = Non illustrated part

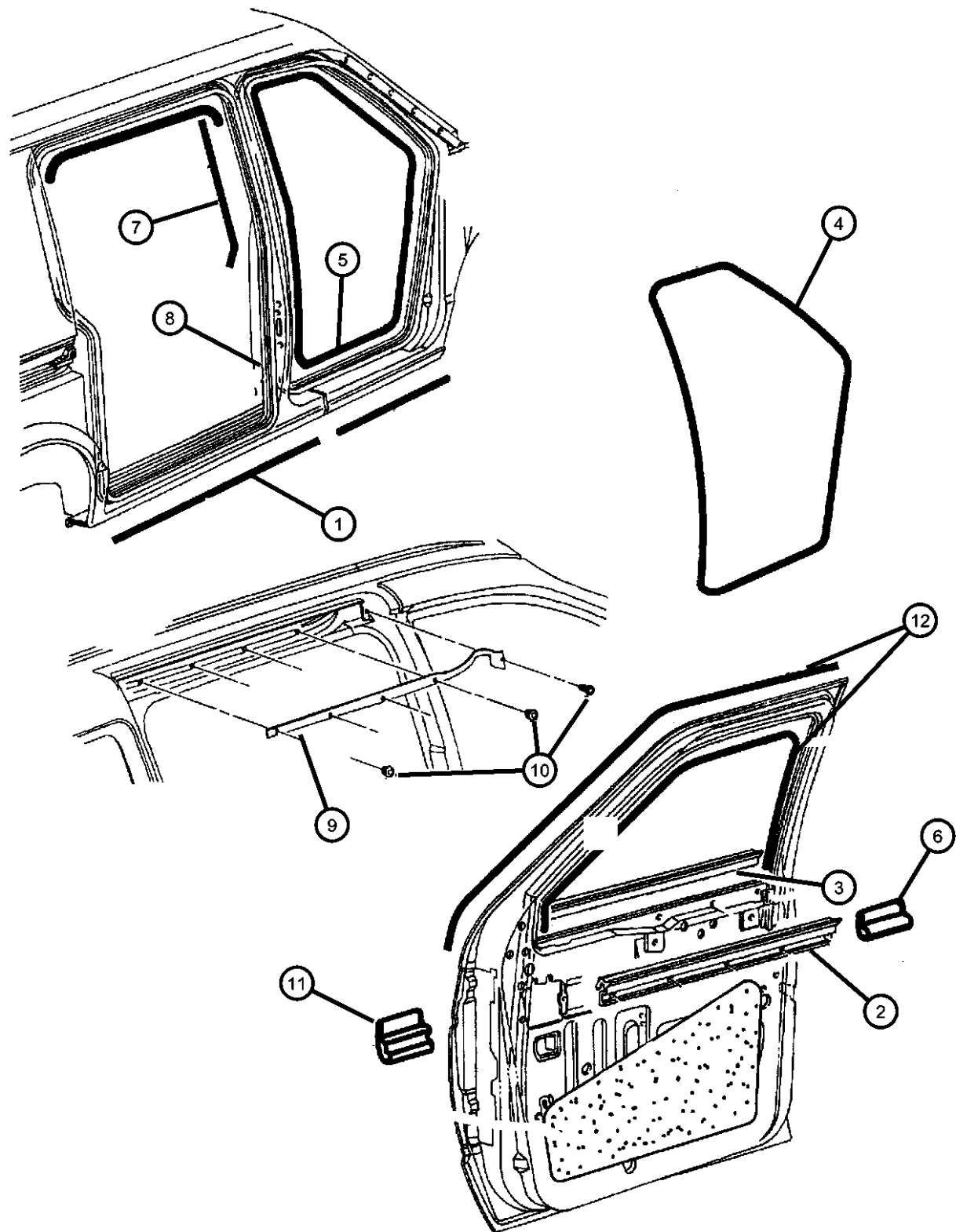
Mirrors, Exterior
Figure DGS-540



ITEM	PART NUMBER	QTY	LINE	SERIES	BODY	ENGINE	TRANS	TRIM	DESCRIPTION
1									MIRROR, Outside Rearview
	04717396	1	U, Z	H, P					Convex, Power, Heated - Exc. Australia, Right
	04717397	1	U, Z	H, P					Convex, Power, Heated, Left
	04717398	1	U, Z	S					Convex, Power, Heated, Memory - Exc. Australia, Right
	04717399	1	U, Z	S					Convex, Power, Heated, Memory, Left
	04717464	1	C, Y						Power, Heated, Foldaway - Exc. Middle East, Right
	04717465	1	C, Y						Power, Heated, Foldaway - Exc. Middle East, Left
	04717524	1	C, Y						Middle East, Right
	04717525	1	C, Y						Middle East, Left
	04717528	1	C, Y						Power, Heated, Foldaway, Memory, Right
	04717529	1	C, Y						Power, Heated, Foldaway, Memory, Left
	04717620	1	U, Z						Electric-Foldaway-Heated, Australia, Right
	04717622	1	U, Z						Electric-Foldaway-Heated, Memory, Australia, Right
2									MIRROR, Outside, Rearview, Manual, Foldaway, Convex
	04717542	1		L					Right
	04717543	1		L					Left
-3									GLASS, Mirror Replacement
	04897206AA	1	C, Y						Middle East, Right
	04897207AA	1	C, Y						Middle East, Left
4	06503267	6							SCREW, Round Head, M6x1x25
5	06503267	6							SCREW, Mirror Cover Attaching, (NOT SERVICED)
6									COVER, Mirror
	04717060	1							Right
	04717061	1							Left
7	04717172	2							BRACKET, Door Mirror
8	04707459	AR							PLUG, Mirror Access

AR = use ase required - = Non illustrated part

**Door, Front and Sliding Weatherstrips
Figure DGS-650**

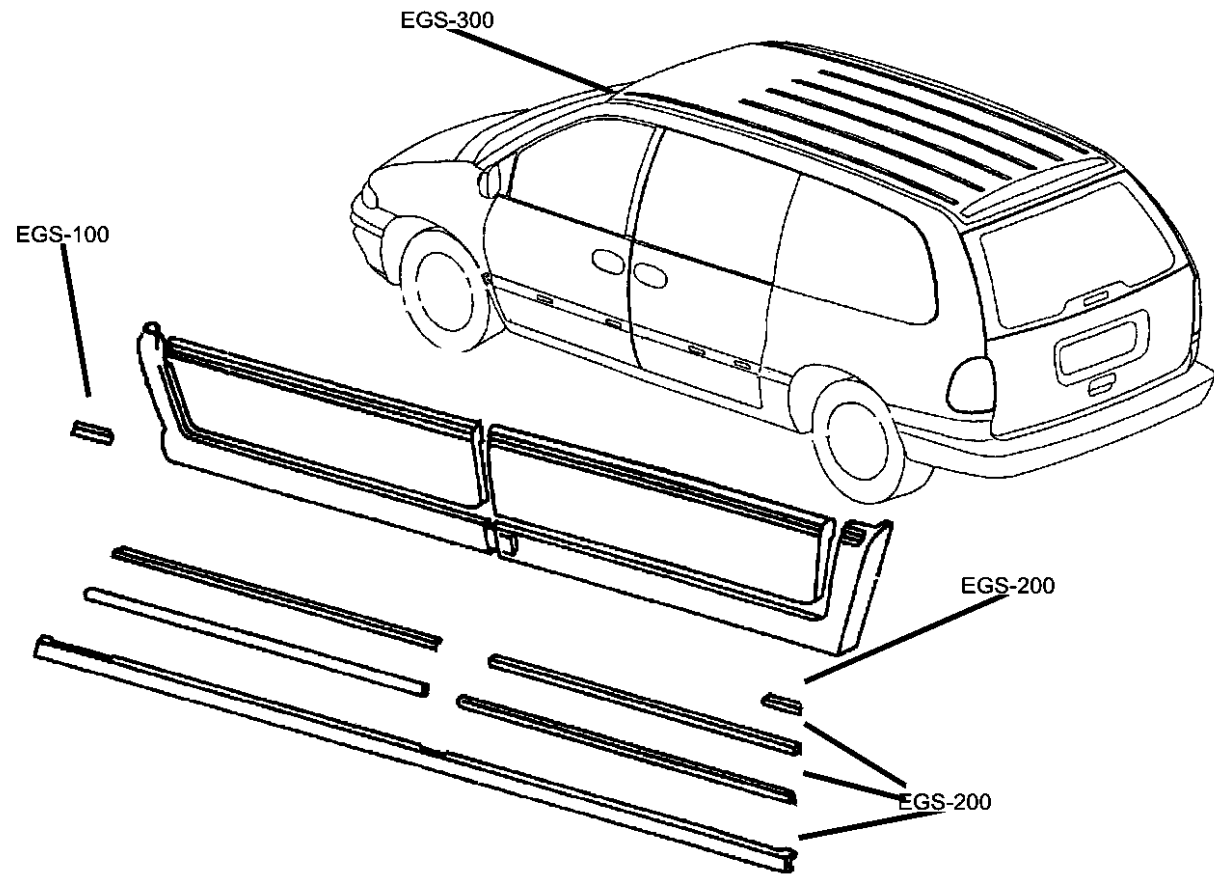


ITEM	PART NUMBER	QTY	LINE	SERIES	BODY	ENGINE	TRANS	TRIM	DESCRIPTION
1									WEATHERSTRIP, Sliding Door Secondary
	04717316	1							Right
	04717317	1							Left
2	04675672	2							WEATHERSTRIP, Front Door Belt
3									WEATHERSTRIP, Front Door Belt
	04675600	1							Right
	04675601	1							Left
4									WEATHERSTRIP, Front Door, Door Mounted
	04717328	1							Right
	04717329	1							Left
5									WEATHERSTRIP, Front Door, Body Mounted
	04675666	1							Right
	04675667	1							Left
6	04675532	2							SEAL, Front Door Belt
7									WEATHERSTRIP, Sliding Door B Pillar
	04717154	1							Right
	04717155	1							Left
8									WEATHERSTRIP, Sliding Door
	04717490AA	1							Right
	04717491AA	1							Left
9									COVER, Sliding Door Track
	04857078	1							Right
	04857079	1							Left
10	04676808	4							CAP, Track Screw Cover
11	04675542	2							SEAL, Front Door Belt
12									RUN, Front Door Glass
	04717324	1							Right
	04717325	1							Left

AR = use ase required - = Non illustrated part

Group - EGS

Exterior Ornamentation



Group - EGS Exterior Ornamentation

Illustration Title

Group-Fig. No.

Nameplates

Nameplates Fig. EGS - 110

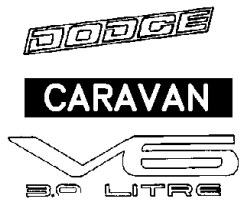
Moldings and Ornamentation

Moldings Fig. EGS - 298

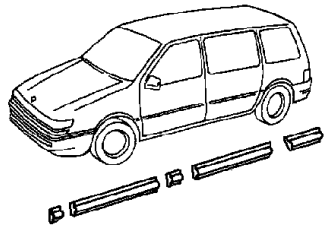
Decals and Tapestripes

Tapes and Decals Fig. EGS - 310

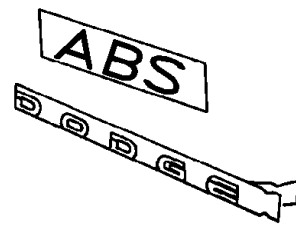
EGS-100
Nameplates



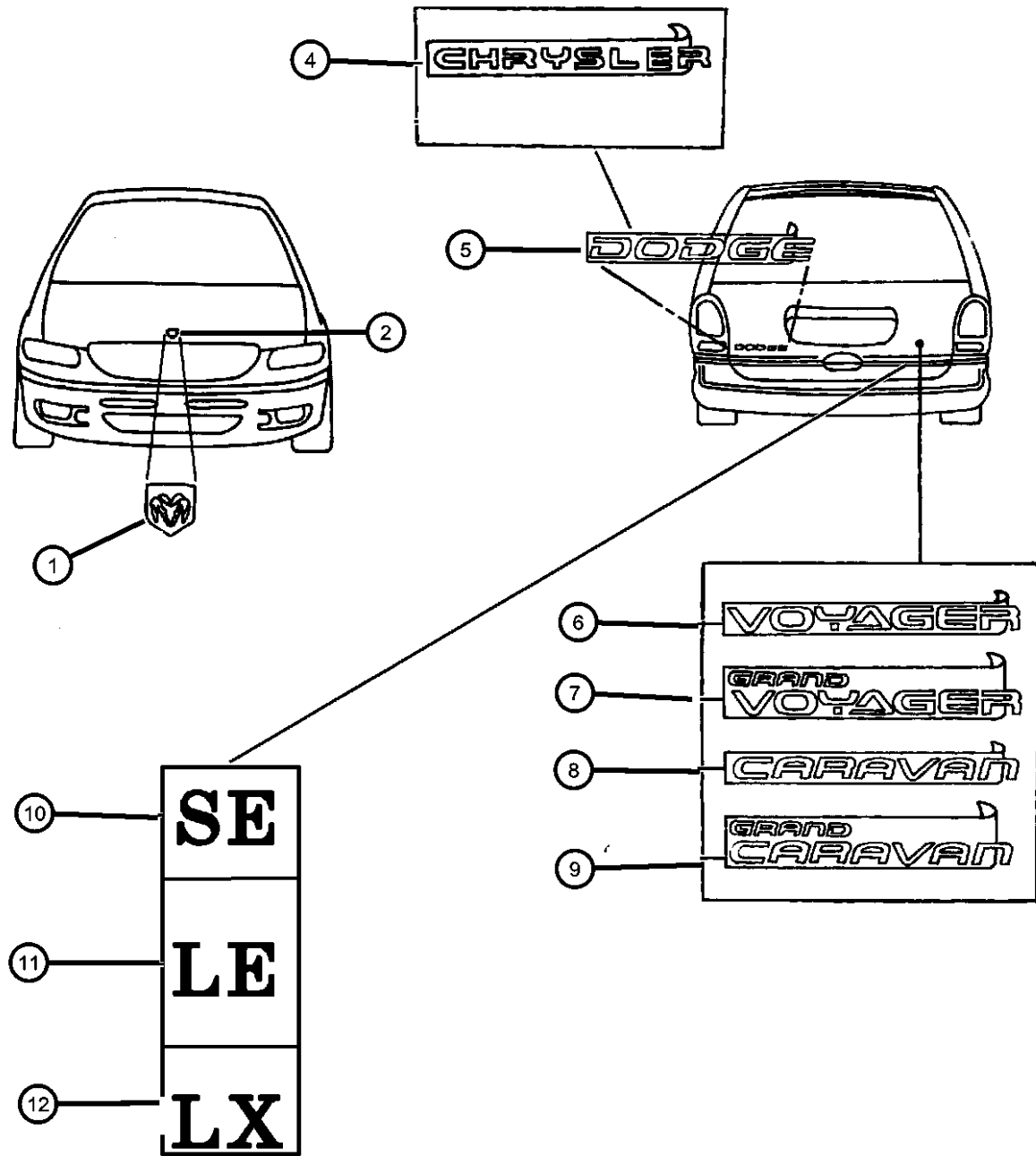
EGS-200
Moldings and Ornamentation



EGS-300
Decals and Tapestripes



Nameplates
Figure EGS-110

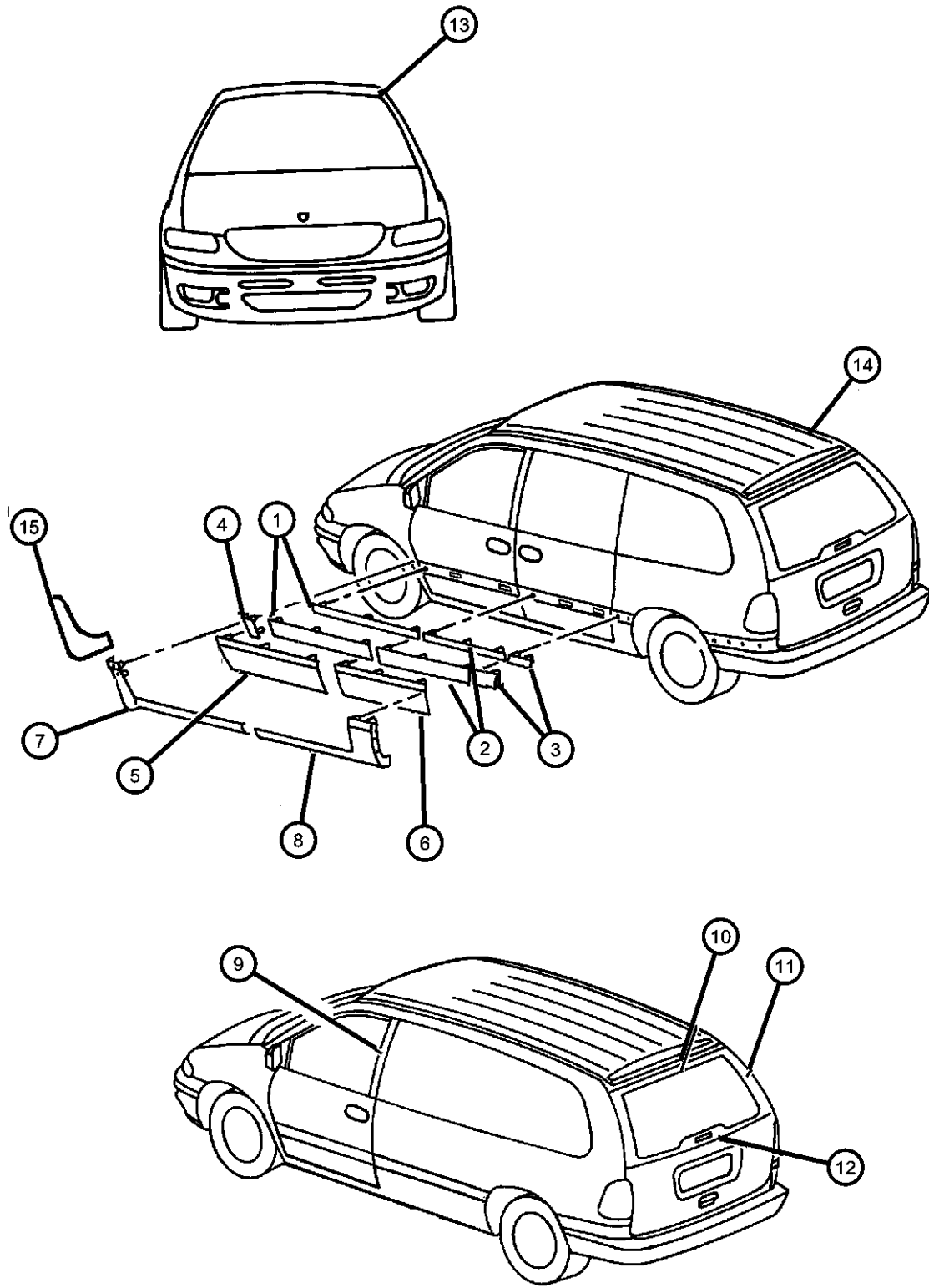


ITEM	PART NUMBER	QTY	LINE	SERIES	BODY	ENGINE	TRANS	TRIM	DESCRIPTION
1	0KS76SZ1	1							NAMEPLATE, Medallion, Ram Head, Mid-East
2	04676908	1							ORNAMENT, Hood
-3	04676908	1							NAMEPLATE, Chrysler, Gold, (NOT REQUIRED)
4									NAMEPLATE, Chrysler
	0KS94SA1	1							Light Silver
	0KS94SD8	1							Dark Quartz
5									NAMEPLATE, Dodge, Mid-East
	0HS30PD8	1							Dark Quartz
	0HS30SA1	1							Light Silver
6									NAMEPLATE, Voyager
	0PS72SA1	1			52				Light Silver
	0PS72SD8	1			52				Dark Quartz
7									NAMEPLATE, Grand Voyager
	0PS73SA1	1			53				Light Silver
	0PS73SD8	1			53				Dark Quartz
8									NAMEPLATE, Caravan
	0HS31PD8	1			52				Dark Quartz
	0HS31SA1	1			52				Light Silver
9									NAMEPLATE, Grand Caravan
	0HS32PD8	1			53				Dark Quartz
	0HS32SA1	1			53				Light Silver
10									NAMEPLATE, SE
	0QC76SA1	1							Light Silver
	0QC76SD8	1							Dark Quartz
11									NAMEPLATE, Liftgate, LE
	0QC77SA1	1							Light Quartz/Silver
	0QC77SD8	1							Dark Quartz
12									NAMEPLATE, Liftgate, LX
	0PH71SA1	1							Light Silver
	0PH71SD8	1							Dark Quartz

AR = use ase required - = Non illustrated part

**Mouldings
Figure EGS-298**

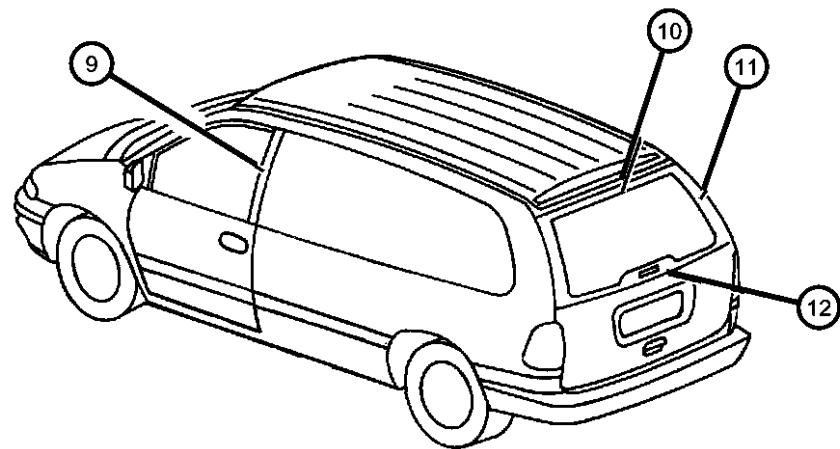
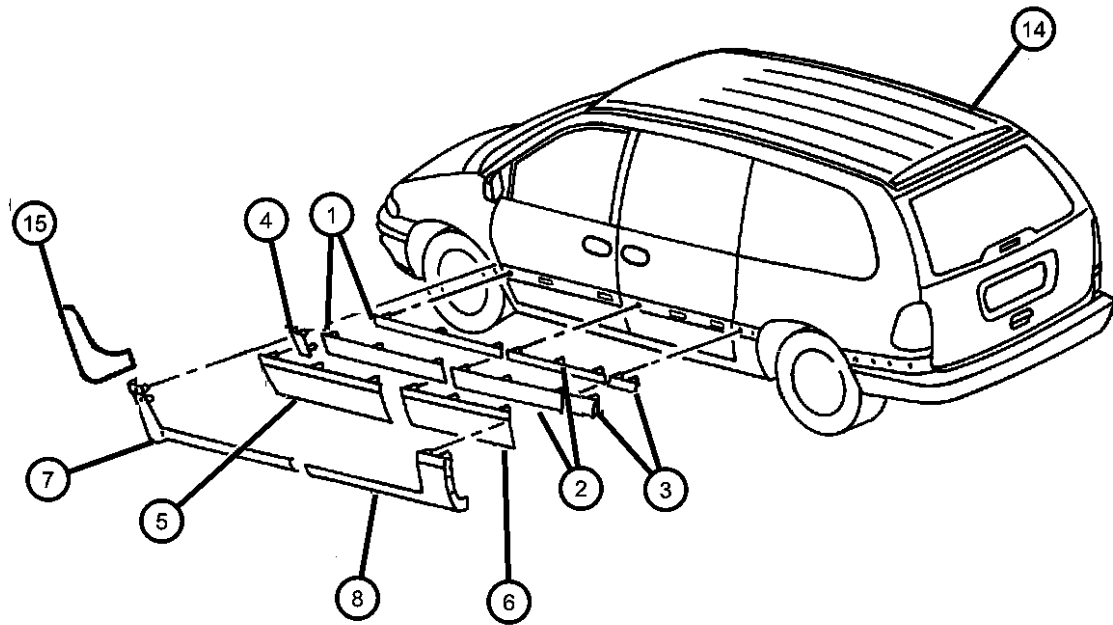
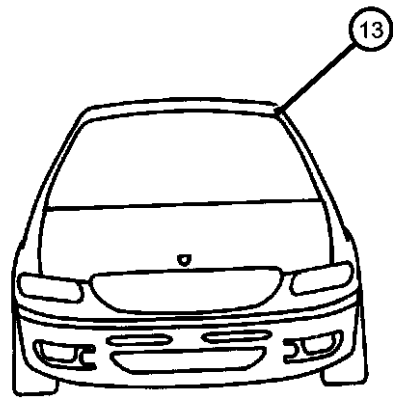
ITEM	PART NUMBER	QTY	LINE	SERIES	BODY	ENGINE	TRANS	TRIM	DESCRIPTION
Note: Sales Code MRC = Sill Moldings - Type II									
1									MOLDING, Front Door
	0HM26SS5	1							Narrow, 2 inch, H Models, Right
	0HM27SS5	1							Narrow, 2 inch, H Models, Left
	0PJ86SS5	1							Wide, P Models, Right
	0PJ87SS5	1							Wide, P Models, Left
2									MOLDING, Sliding Door
	0HM28SS5	1			53				Y-H, Right
	0HM29SS5	1							Y-H, Left
	0JP52SS5	1			52				Y-H, Right
	0PJ88SS5	1							P Models, Right
	0PJ89SS5	1							P Models, Left
3									MOLDING, Quarter Panel
	0HM34SS5	1			53				Y-H, Right
	0HM35SS5	1			53				Y-H, w/Left Sliding Door, Left
	0JU79SS5	1			52				Y-H, w/Left Sliding Door, Left
	0PJ90SS5	1			52				CY-P, Right
	0PJ91SS5	1			52				CY-P, w/Left Sliding Door, Left
	0PJ92SS5	1			53				CY-P, Right
	0PJ93SS5	1			53				CY-P, w/Left Sliding Door, Left
4									MOLDING, Fender
	0PJ84SS5	1							Right
	0PJ85SS5	1							Left
5									CLADDING, Front Door
	0PK06SS5	1							Lower Bodyside (MRC), Right
	0PK07SS5	1							Lower Bodyside (MRC), Left
6									CLADDING, Sliding Door
	0PK08SS5	1							Lower Bodyside (MRC), Right
	0PK09SS5	1							Lower Bodyside (MRC), Left
7									CLADDING, Front Sill
	0PJ96SS5	1							Lower Bodyside (MRC), Right
	0PJ97SS5	1							Lower Bodyside (MRC), Left
8									CLADDING, Rear Sill
	0PJ94SS5	1			52				Lower Bodyside (MRC), Right
	0PK03SS5	1			52				w/ Left Sliding Door,
9									MOLDING, Door Window Opening
	04717236	1							Right
	04717237	1							Left
10	04716934	1							MOLDING, Liftgate Glass, Upper
11									MOLDING, Liftgate Glass, Side
	04716360	1							Right



AR = use ase required - = Non illustrated part

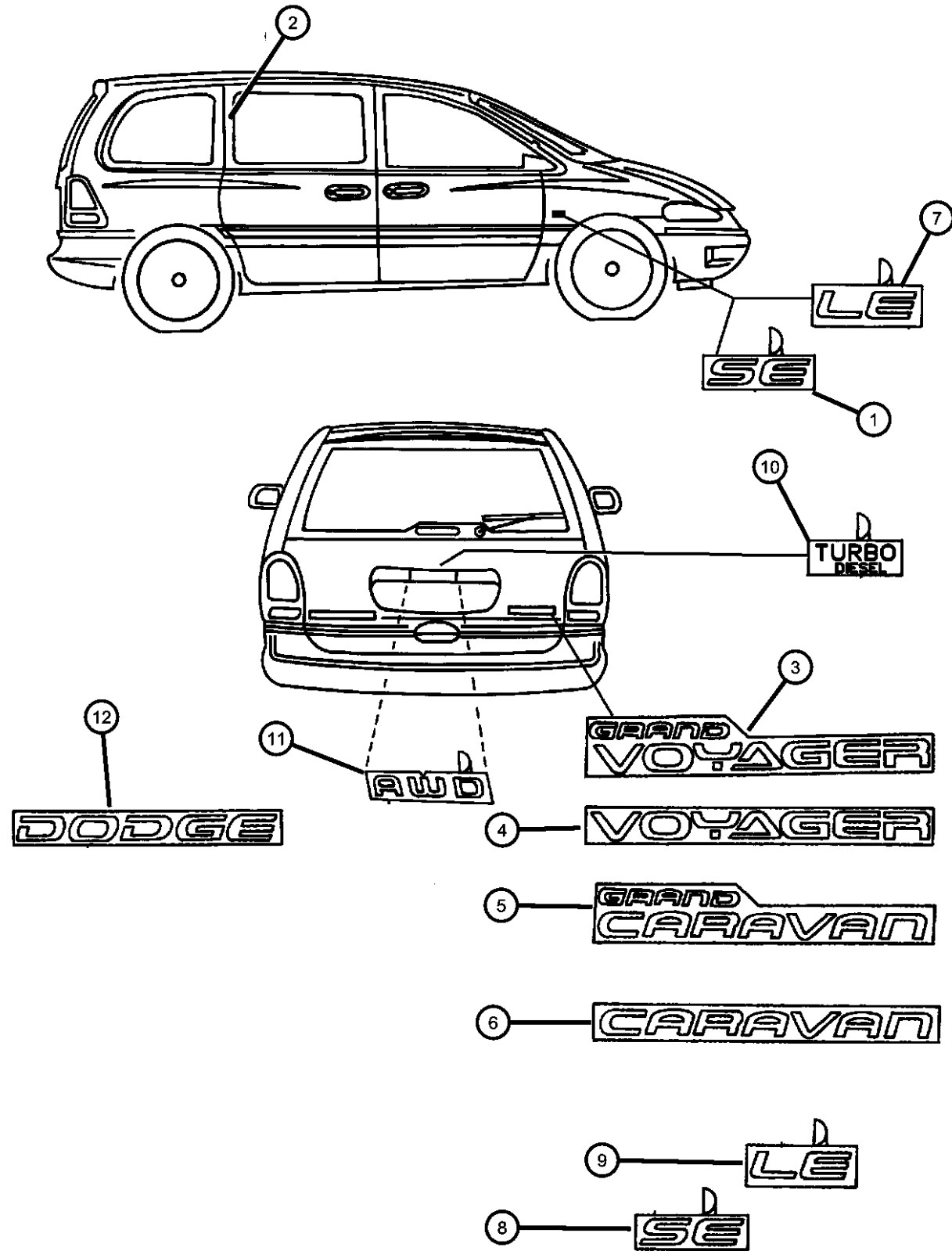
Moldings
Figure EGS-298

ITEM	PART NUMBER	QTY	LINE	SERIES	BODY	ENGINE	TRANS	TRIM	DESCRIPTION
	04716361	1							Left
12	04716935AB	1							MOLDING, Liftgate Glass, Lower
13	04716936	1							MOLDING, Windshield
14									MOLDING, Roof
	04860118AB	1			52				Right
	04860119AB	1			52				Left
15									SPAT, Front Fender
	0PE28SS5	1							Right
	0PE29SS5	1							Left



AR = use ase required - = Non illustrated part

Tapes and Decals
Figure EGS-310



ITEM	PART NUMBER	QTY	LINE	SERIES	BODY	ENGINE	TRANS	TRIM	DESCRIPTION
1	0QC76SA1	1							NAMEPLATE, SE Light Quartz
	0QC76SD8	1							Dark Quartz
2	04676600	2							TAPE, C Pillar Front 3 - 4 Door
	04676602	1							Rear, Right, 3 - 4 Door
	04676607	1							Rear, Left, 4 Door
3	0PS73SA1	1			53				NAMEPLATE, Grand Voyager Light Quartz
	0PS73SD8	1			53				Dark Quartz
4	0PS72SA1	1			52				NAMEPLATE, Voyager Light Quartz
	0PS72SD8	1			52				Dark Quartz
5	0HS32PD8	1			53				NAMEPLATE, Grand Caravan Dark Quartz
	0HS32SA1	1			53				Light Quartz
6	0HS31PD8	1			52				NAMEPLATE, Caravan Dark Quartz
	0HS31SA1	1			52				Light Quartz
7	0QC77SA1	1							NAMEPLATE, Liftgate, LE Light Quartz/Silver
	0QC77SD8	1							Dark Quartz
8	0QC76SA1	1							NAMEPLATE, SE Light Quartz
	0QC76SD8	1							Dark Quartz
9	0QC77SA1	1							NAMEPLATE, Liftgate, LE Light Quartz/Silver
	0QC77SD8	1							Dark Quartz
10	0KS95SA1	1							DECAL, Liftgate, Turbo Diesel Light Quartz
	0KS95SD8	1							Dark Quartz
11	0KS93SA1	1							DECAL, Liftgate, AWD Light Quartz
	0KS93SD8	1							Dark Quartz
	0KS93SY2	1							Gold
12	0HS30PD8	1							NAMEPLATE, Dodge Dark Quartz
	0HS30SA1	1							Light Quartz

AR = use ase required - = Non illustrated part

Group - IGS

Interior Trim

Group - IGS Interior Trim

Illustration Title

Group-Fig. No.

Headliner and Visor

Headliner and Visors..... Fig. IGS - 110

Moldings, Scuff Plates

Cowl Panel And Silencer Fig. IGS - 210
 Molding A Pillar And Scuff Plates Fig. IGS - 215
 B Pillar Fig. IGS - 220
 C Pillar Trim Fig. IGS - 225
 D Pillar Trim Fig. IGS - 230
 Quarter Panel 112' Wheelbase - Right Fig. IGS - 235
 Quarter Panel 112' Wheelbase - Left Fig. IGS - 240
 Quarter Panel 119' Wheelbase - Right Fig. IGS - 245
 Quarter Panel 119' Wheelbase - Left Fig. IGS - 250

Carpet

Carpet..... Fig. IGS - 310

Door Trim Panels-Front and Sliding

Front Door Panels..... Fig. IGS - 410
 Panel Door Trim - Rear Sliding..... Fig. IGS - 420

Front Seats and Attaching Parts

Seat, Front, Trim Code [B7, E7]..... Fig. IGS - 510
 Seat, Front, Trim Code [GL, YL] Fig. IGS - 515
 Front Seat - Manual, Adjusters, Side Shields and Attaching Parts..... Fig. IGS - 520
 Front Seat - Left, Adjusters, Side Shields and Attaching Parts Fig. IGS - 525

Rear Seats- Folding and Quad

Seat, Rear, Trim Code B7 Fig. IGS - 610
 Seat, Rear, Trim Code E7 Fig. IGS - 615
 Seat, Rear, Trim Code GL, YI - 3 Passenger Fig. IGS - 620
 Seat, Rear, Trim Code B7, E7 - Quad Fig. IGS - 625
 Seat, Rear, Trim Code GL, YL - Quad Fig. IGS - 630
 Quad Seats - Attaching Parts Fig. IGS - 640
 Child Seat - Reclining..... Fig. IGS - 665
 Child Seat - Reclining..... Fig. IGS - 670
 Rear Seat - 2 Passenger, Adjusters, Covers, Shields and Attaching Parts..... Fig. IGS - 675

Seat Belts-Front and Rear

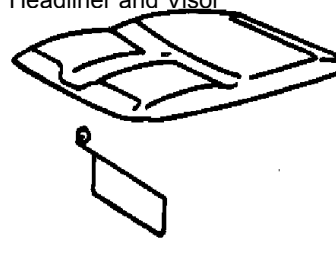
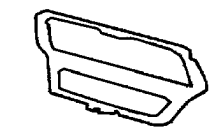
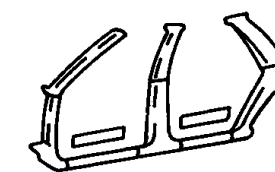
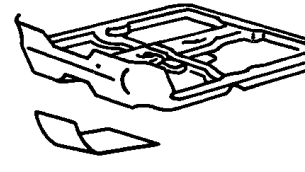
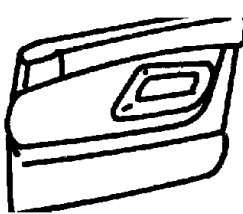
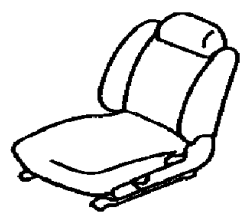
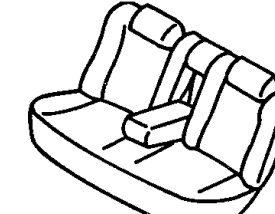
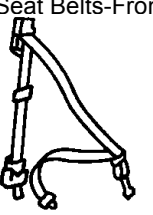
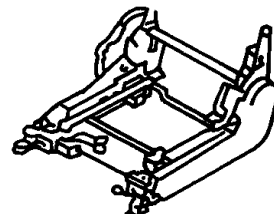
Seat Belts - Front..... Fig. IGS - 710
 Belts - Quad Seats Fig. IGS - 720
 Belts - Rear Inner 2 and 3 Passenger Fig. IGS - 730
 Belts - Rear Outer - Right..... Fig. IGS - 740
 Belts - Rear Outer - Left Fig. IGS - 750

Adjusters, Covers, Shields, and Risers

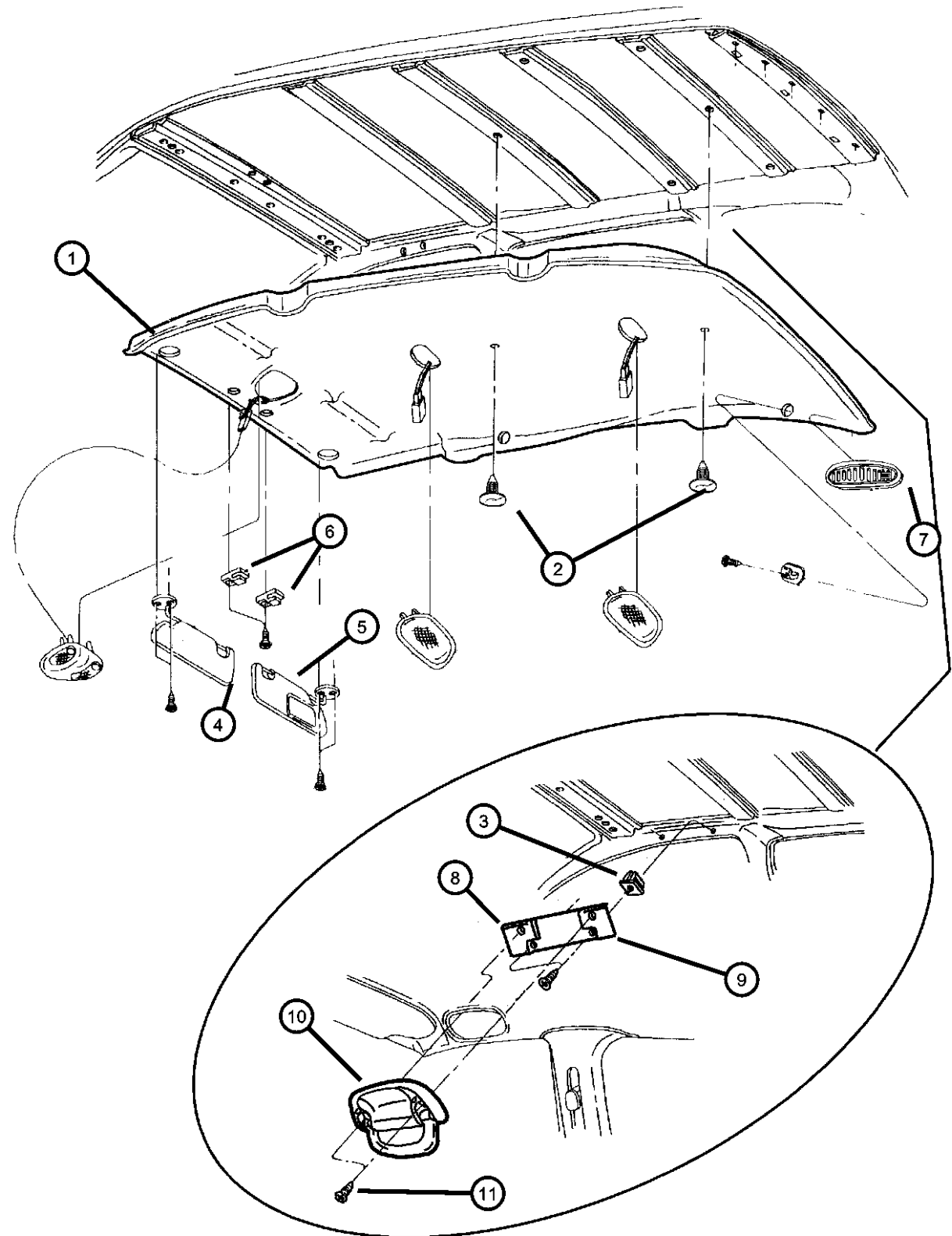
Seat - Rear Attachments - Floor Pan Fig. IGS - 810
 Rear Seats - 3 Passenger - Adjusters, Covers, Shields and Attaching Parts Fig. IGS - 820

Lift Gate Trim

Panel - Liftgate - 2 and 3 Passenger Fig. IGS - 1010

<p>IGS-100 Headliner and Visor</p> 	<p>IGS-1000 Lift Gate Trim</p> 	<p>IGS-200 Moldings, Scuff Plates</p> 	<p>IGS-300 Carpet</p> 
<p>IGS-400 Door Trim Panels-Front and Sliding</p> 	<p>IGS-500 Front Seats and Attaching Parts</p> 	<p>IGS-600 Rear Seats- Folding and Quad</p> 	<p>IGS-700 Seat Belts-Front and Rear</p> 
<p>IGS-800 Adjusters, Covers, Shields, and Risers</p> 			

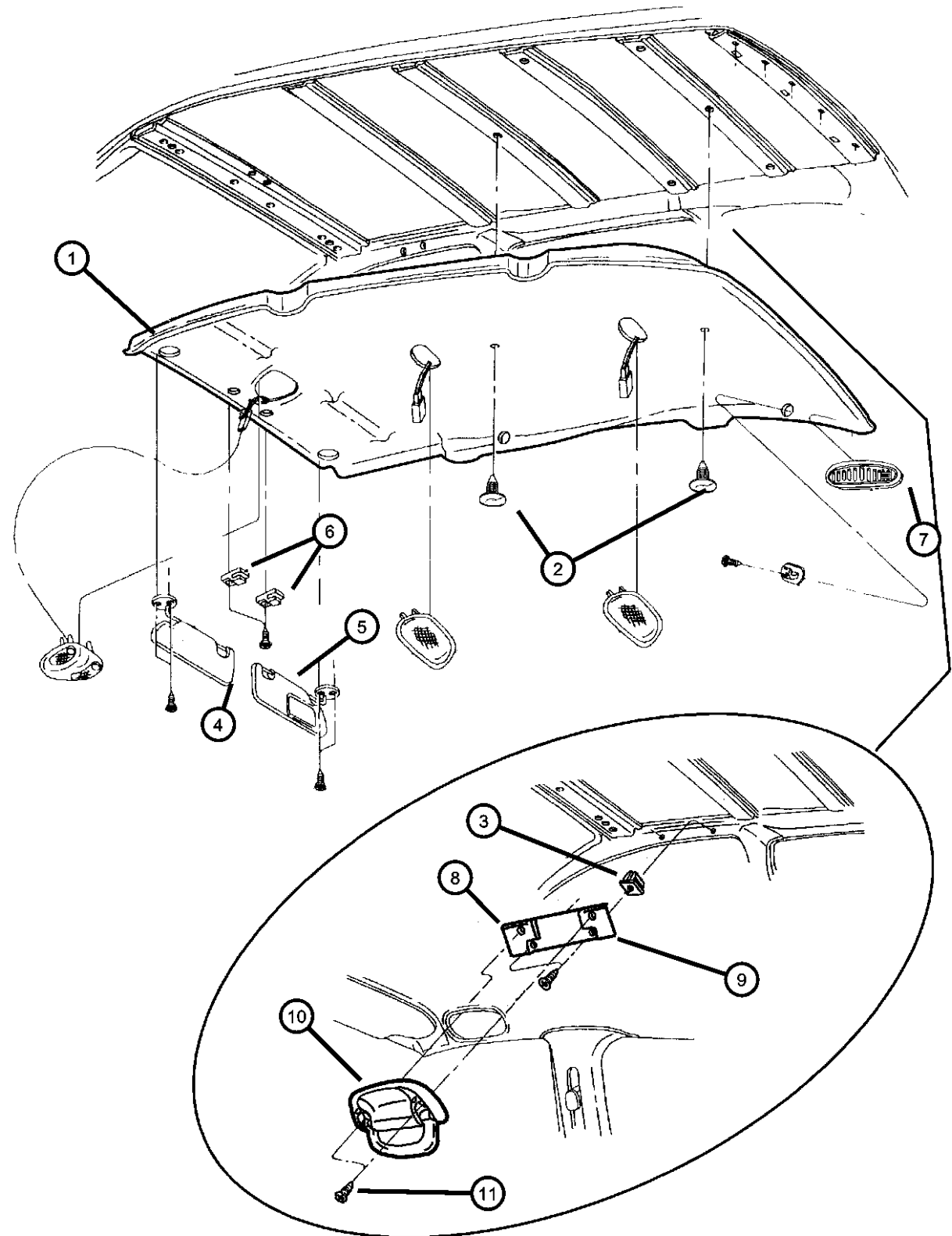
Headliner and Visors
Figure IGS-110



ITEM	PART NUMBER	QTY	LINE	SERIES	BODY	ENGINE	TRANS	TRIM	DESCRIPTION
1	0PM46RC1	1			53			*00	PANEL, Headliner w/Left Hand Door Mist Gray
	0PM46RK4	1			53			*00	w/Left Hand Door Tan
	0PK48RC1	1			53			*00	w/Left Hand Door and Overhead Console Mist Gray
	0PK48RK4	1			53			*00	w/Left Hand Door and Overhead Console Tan
	0PK47RC1	1			53			*00	w/Left Hand Door, Overhead Console and Rear A/C Mist Gray
	0PK47RK4	1			53			*00	w/Left Hand Door, Overhead Console and Rear A/C Tan
	0PK45RC1	1		H	52			*00	w/Left Hand Door Mist Gray
	0PK45RK4	1		H	52			*00	w/Left Hand Door Tan
	0PK49RC1	1		S	52			*00	w/Left Hand Door and Overhead Console Mist Gray
		1		P	52			*00	w/Left Hand Door and Overhead Console Mist Gray
	0PK49RK4	1		S	52			*00	w/Left Hand Door and Overhead Console Tan
		1		P	52			*00	w/Left Hand Door and Overhead Console Tan
2									FASTENER, Headliner
	0LR69SC1	3			52			*00	Mist Gray
		4			53			*00	Mist Gray
	0LR69SK4	3			52			*00	Tan
		4			53			*00	Tan
3	06035211	12							NUT, Snap In, Attaching, Grab Handle
4									VISOR
	0PR24SC1	1	C, Y					*00	Mist Gray, Right
	0PR24SK4	1	C, Y					*00	Tan, Right
	0PR25SC1	1						*00	Mist Gray, Left
	0PR25SK4	1						*00	Tan, Left
	0RF26RC1AA	1						*00	Mist Gray, Right, Illuminated Visor
	0RF26RK4AA	1						*00	Tan, Right, Illuminated Visor
	0RF27RC1AA	1						*00	Mist Gray, Left, Illuminated Visor
	0RF27RK4AA	1						*00	Tan, Left, Illuminated Visor
5									VISOR, W/Mirror
	0JR22RC1	1	U, Z					*00	Mist Gray, Right
	0JR22RK4	1	U, Z					*00	Tan, Right
6									RETAINER, Sunvisor
	0LD43SC1	2						*00	Mist Gray
	0LD43SK4	2						*00	Tan
7									OUTLET, Air Conditioning & Heater
	0PB06SC1	2		P	53			*00	Right Mist Gray
	0PB06SK4	2		P	53			*00	Right Tan

AR = use ase required - = Non illustrated part

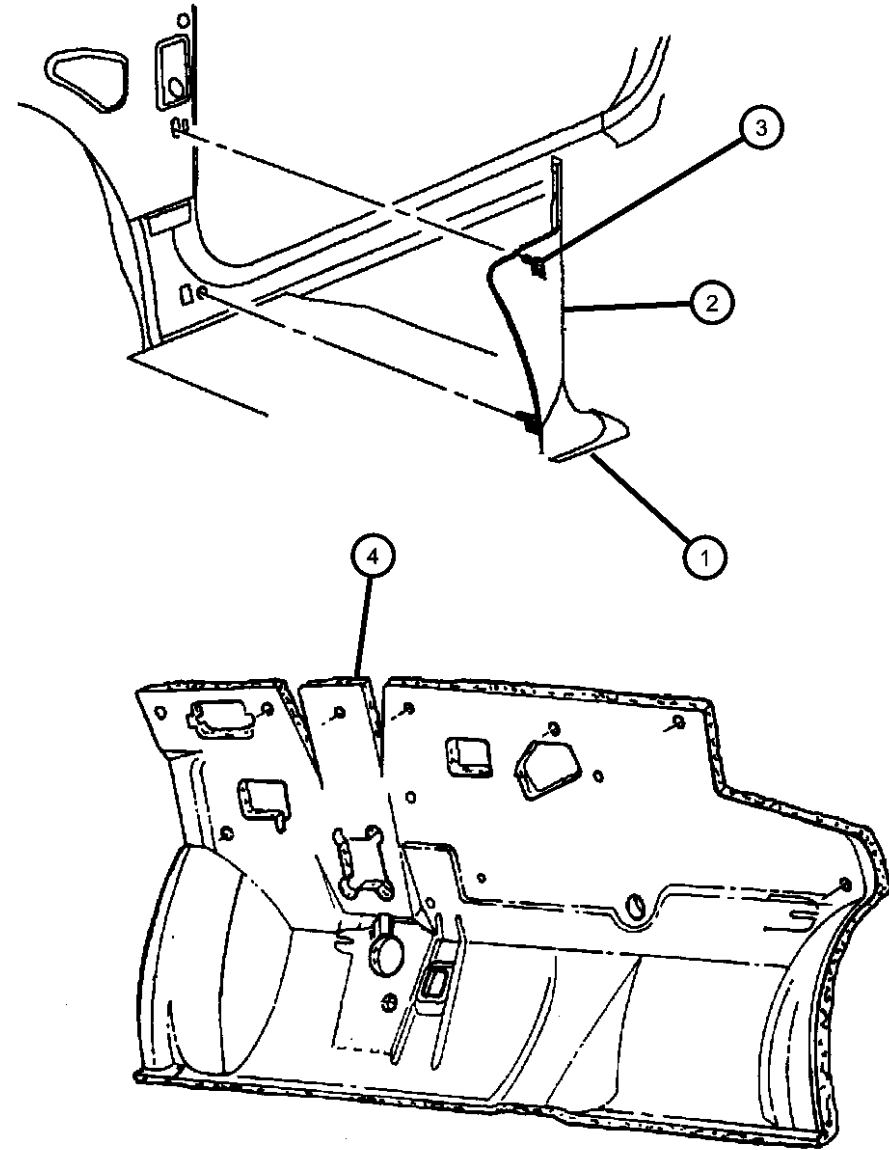
Headliner and Visors
Figure IGS-110



ITEM	PART NUMBER	QTY	LINE	SERIES	BODY	ENGINE	TRANS	TRIM	DESCRIPTION
	0PB07SC1	2		P	53			*O0	Left Mist Gray
	0PB07SK4	2		P	53			*O0	Left Tan
8	04754230	2							BRACKET, Grab Handle
9	06034912	2							SCREW, Pan Head, .19-16x.75
10	0GP17SC1	2						*O0	Light Mist
	0GP17SK4	2						*O0	Tan
11	00154704	8							SCREW, Pan Head Tapping, .19-16x.625

AR = use ase required - = Non illustrated part

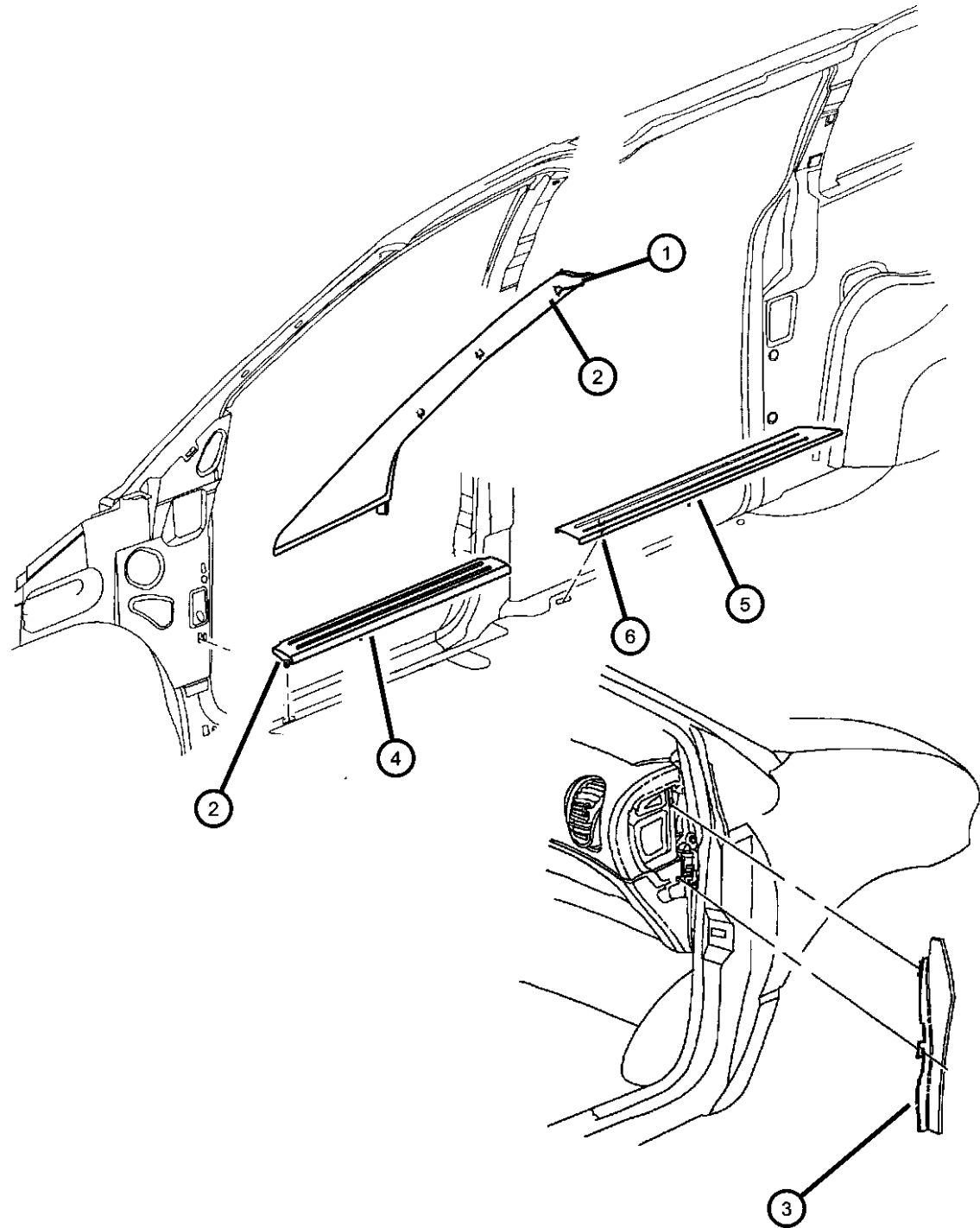
**Cowl Panel And Silencer
Figure IGS-210**



ITEM	PART NUMBER	QTY	LINE	SERIES	BODY	ENGINE	TRANS	TRIM	DESCRIPTION
1									PANEL, Cowl Side
	0JB54SC3	1	C, Y					*00	Mist Gray, Right
	0JB54SK5	1	C, Y					*00	Taupe, Right
	0JB55SC3	1	C, Y					*00	Mist Gray, Left
	0JB55SK5	1	C, Y					*00	Taupe, Left
2									MOLDING, Upper
	0JS46RC3	1	Z					*00	Mist Gray, Right
	0JS46RK5	1	Z					*00	Tan, Right
	0JS47RC3	1	Z					*00	Mist Gray, Left
	0JS47RK5	1	Z					*00	Tan, Left
3	06503174	2							CLIP, Molding, M8.3x15.20x0.50
4	04860246	1	C, Y						SILENCER, Dash Panel
-5	04860321	1	Z						SILENCER, Dash Panel-Engine Compartment
-6	04680356	1	U, Z						SHELL, Dash Silencer
-7	04278178	2							TAPE, Hole Cover, 50x50x1 mm, Cowl Side Door Opening
-8	04754806	1	Z						BRACKET, Holds A Flare, Cowl Trim Panel

AR = use ase required - = Non illustrated part

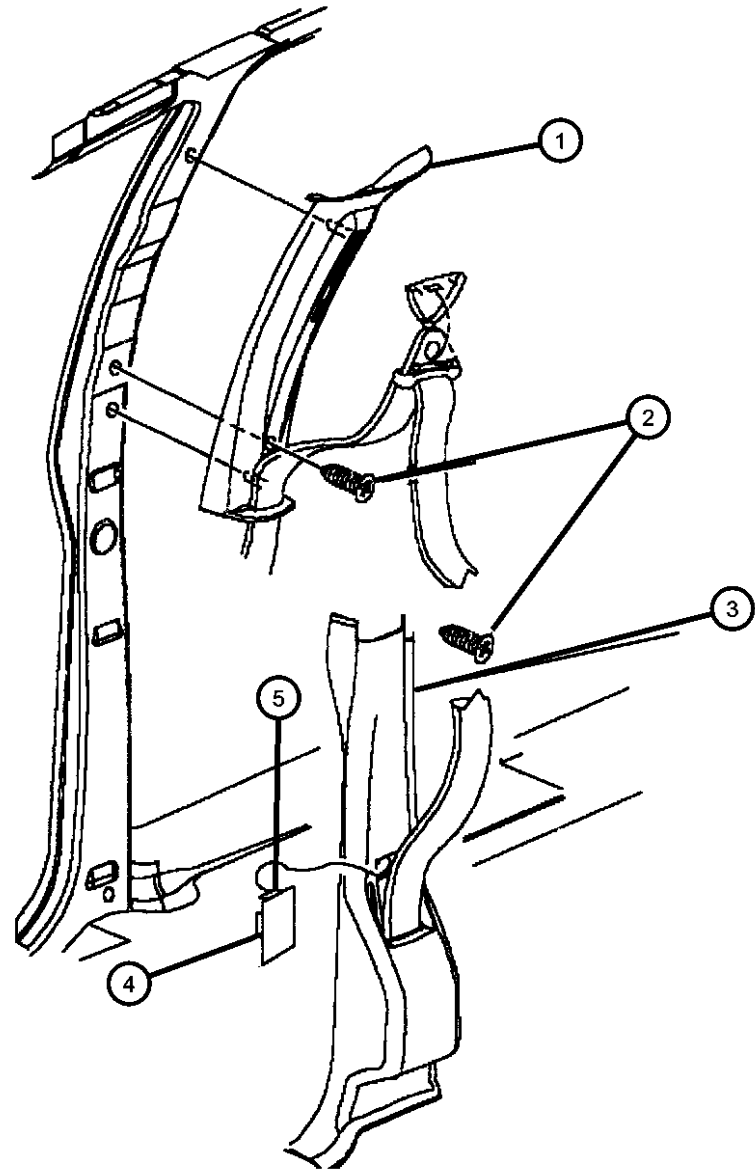
Molding A Pillar And Scuff Plates
Figure IGS-215



ITEM	PART NUMBER	QTY	LINE	SERIES	BODY	ENGINE	TRANS	TRIM	DESCRIPTION
1									MOLDING, Windshield
	0GG46SC3	1	C, Y					*00	Mist Gray, Right
	0GG46SK5	1	C					*00	Tan, Right
	0GG47SC3	1	C, Y					*00	Mist Gray, Left
	0GG47SK5	1	C					*00	Tan, Left
	0HX34RC3	1	U, Z					*00	Mist Gray, Right
	0HX34RK5	1	U, Z					*00	Tan, Right
	0HX35RC3	1	U, Z					*00	Mist Gray, Left
	0HX35RK5	1	U, Z					*00	Tan, Left
2	06503174	2							CLIP, Molding, M8.3x15.20x0.50
3									MOLDING, Extension
	0GG48SC3	1	C					*00	Mist Gray, Right, Lower, Extension
	0GG48SK5	1	C					*00	Tan, Right, Lower, Extension
	0GG49SC3	1	C					*00	Mist Gray, Left, Lower, Extension
	0GG49SK5	1	C					*00	Tan, Left, Lower, Extension
4									PLATE, Front Door Scuff
	0GG68SC3	1						*00	Mist Gray, Right
	0GG68SK5	1						*00	Tan, Right
	0GG69SC3	1						*00	Mist Gray, Left
	0GG69SK5	1						*00	Tan, Left
5									PLATE, Sliding Door Scuff
	0PJ68SC3	1						*00	Mist Gray, Right
	0PJ68SK5	1						*00	Tan, Right
	0PJ69SC3	1						*00	Mist Gray, Left
	0PJ69SK5	1						*00	Tan, Left
6	06503265	4							RETAINER, Molding, M6.3x18.0 .51mm Thick

AR = use ase required - = Non illustrated part

**B Pillar
Figure IGS-220**

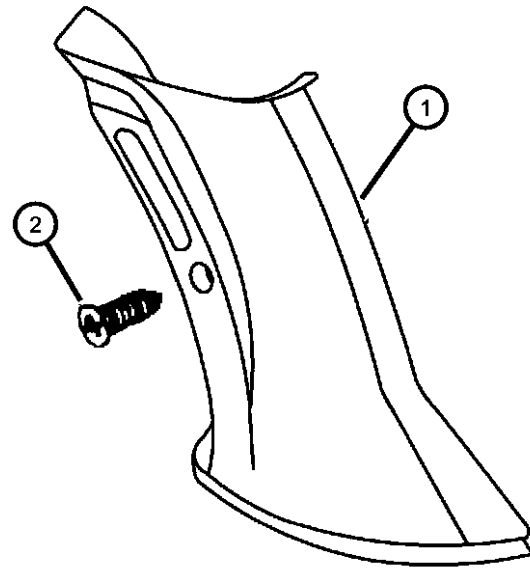


ITEM	PART NUMBER	QTY	LINE	SERIES	BODY	ENGINE	TRANS	TRIM	DESCRIPTION
1	0GG55SC1	1						*00	MOLDING, B-Pillar Mist Gray, Upper Left
	0GG55SK4	1						*00	Tan, Upper Left
2	06503174	2							CLIP, Molding, M8.3x15.20x0.50
3	0GG56SC3	1						*00	MOLDING, B-Pillar Mist Gray, Lower Right
	0GG56SK5	1						*00	Tan, Lower Right
	0GG59SC3	1						*00	Mist Gray, w/Left Hand Door, Lower Left
	0GG59SK5	1						*00	Tan, w/Left Hand Door, Lower Left
4	0JR64SC3	1						*00	PLUG, Seat Belt Opening Mist Gray, Lower
	0JR64SK5	1						*00	Tan, Lower
	0JR71SC3	1						*00	Mist Gray, Lower Left
	0JR71SK5	1						*00	Tan, Lower Left
5	0LE66SC1	2						*00	PLUG, B Pillar Mist Gray, Upper
	0LE66SK4	2						*00	Tan, Upper
-6	06504434	2						*00	CLIP, Side Molding, Attaching
-7	06031869	2							NUT, Push, .19B Pillar Trim Upper
-8	04278178	5							TAPE, Hole Cover, 50x50x1 mmB Pillar Lower

AR = use ase required - = Non illustrated part

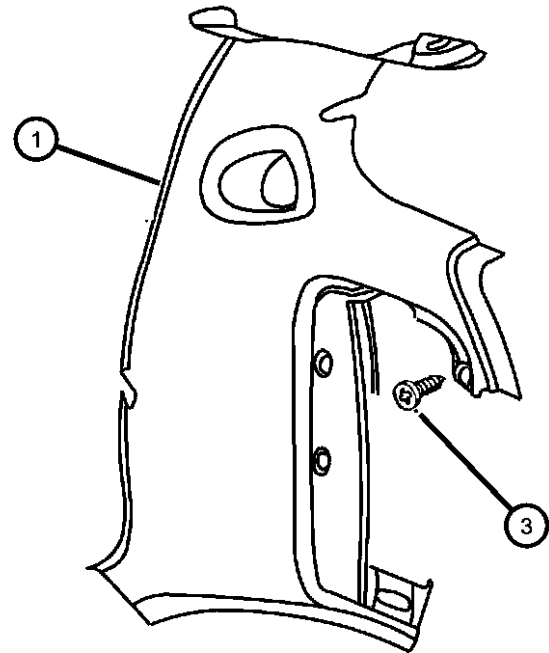
**C Pillar Trim
Figure IGS-225**

ITEM	PART NUMBER	QTY	LINE	SERIES	BODY	ENGINE	TRANS	TRIM	DESCRIPTION
1									MOLDING, C-Pillar
	0GH30SC1	1			52			*00	Mist Gray, Right
	0GH30SK4	1			52			*00	Tan, Right
	0GH63SC1	1						*00	Mist Gray, w/ Left Sliding Door, Left
	0GH63SK4	1						*00	Tan, w/Left Sliding Door, Left
2	06503174	2							CLIP, Molding, M8.3x15.20x0.50, Pillar Attaching



AR = use ase required - = Non illustrated part

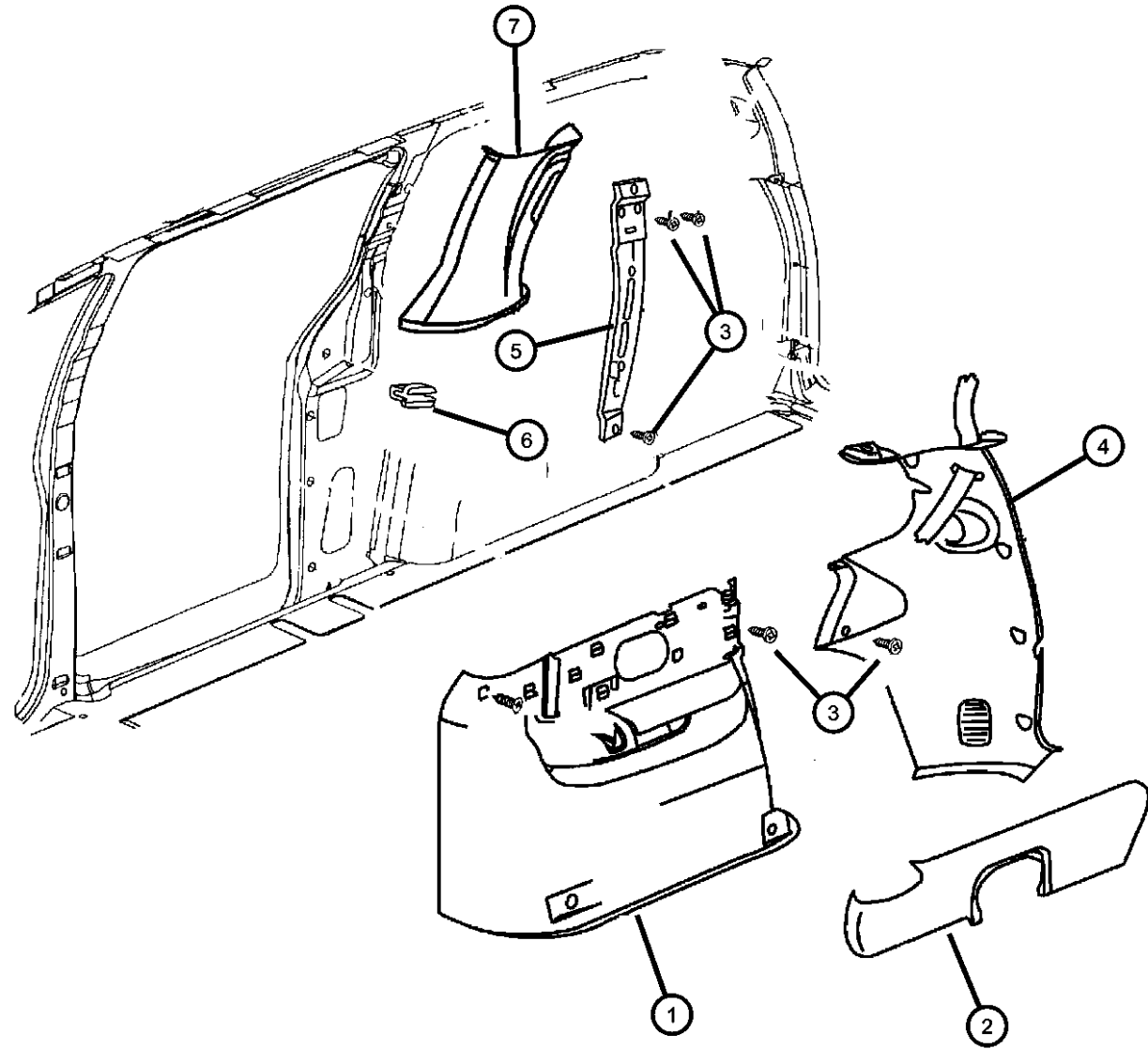
D Pillar Trim
Figure IGS-230



ITEM	PART NUMBER	QTY	LINE	SERIES	BODY	ENGINE	TRANS	TRIM	DESCRIPTION
1									MOLDING, D Pillar
	0GH58SC3	1			52			*00	Mist Gray, Right
	0GH58SK5	1			52			*00	Tan, Right
	0GH59SC3	1			52			*00	Mist Gray, Left
	0GH59SK5	1			52			*00	Tan, Left
	0GH60SC3	1			53			*00	Mist Gray, Without A/C, Right
	0GH60SK5	1			53			*00	Tan, Without A/C, Right
	0GU96SC3	1			53			*00	Mist Gray, With A/C, Right
	0GU96SK5	1			53			*00	Taupe, With A/C, Right
	0GH61SC3	1			53			*00	Mist Gray, Left
	0GH61SK5	1			53			*00	Taupe, Left
-2	06035775	3			52			*00	CLIP, Molding
3									SCREW AND WASHER, Oval Head, .19-16x.75
	06034195	3			52				
		3			53				
-4	06031869	4			52				NUT, Push, .19, D-Pillar Attaching
-5	04754136	2							COVER, Speaker Opening
-6	04677182	1			53				DUCT AND SEAL, A/C And Heater Air Outlet
-7	34202599	3			53			*00	FASTENER, Trim Panel Attaching

AR = use ase required - = Non illustrated part

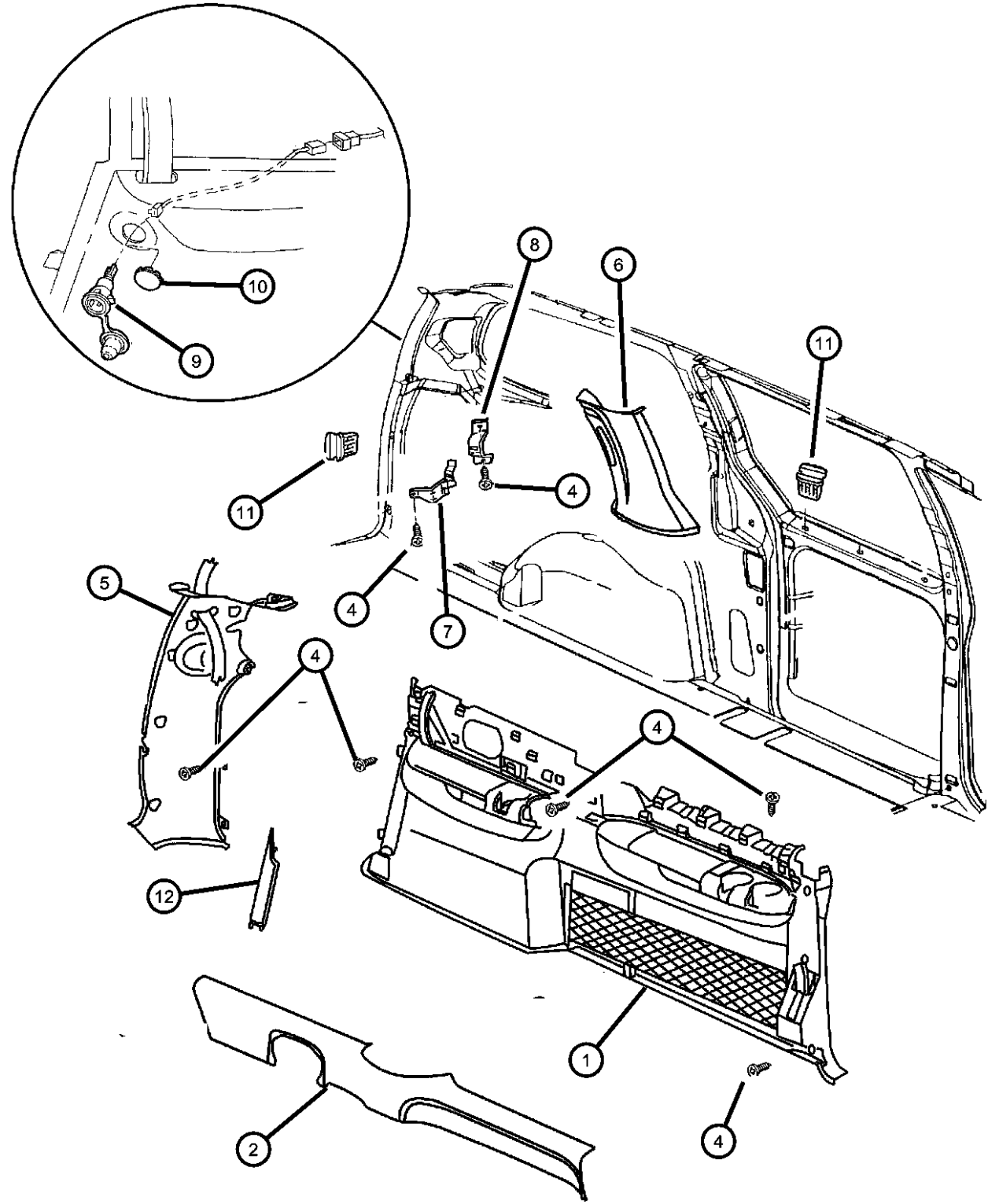
Quarter Panel 112' Wheelbase - Right
Figure IGS-235



ITEM	PART NUMBER	QTY	LINE	SERIES	BODY	ENGINE	TRANS	TRIM	DESCRIPTION
1									PANEL, Quarter Trim
	0GZ02SC3	1			52			*O0	Mist Gray
	0GZ02SK5	1			52			*O0	Tan
2									BOLSTER, Quarter Trim Panel
	0GZ08SK5	1			52			*B7	Tan, Right
	0GZ10SC3	1			52			*E7	Mist Gray, Right
	0GZ10SK5	1			52			*E7	Tan, Right
	0GZ12SC3	1			52			*GL	Mist Gray, Right
	0GZ12SK5	1			52			*GL	Tan, Right
	0GZ06SC3	1			52			*C7	Mist Gray, Right
	0GZ06SK5	1			52			*C7	Tan, Right
3	06035556	4							SCREW, Pan Head Tapping, .19-16x.625
4									MOLDING, D Pillar
	0GH58SC3	1			52			*O0	Mist Gray, With Speakers, Right
	0GH58SK5	1			52			*O0	Camel, With Speakers, Right
	0GH59SC3	1			52			*O0	Mist Gray, With Speakers, Left
	0GH59SK5	1			52			*O0	Camel, With Speakers, Left
	0GH60SC3	1			53			*O0	Mist Gray, Without A/C, Right
	0GH60SK5	1			53			*O0	Camel, Without A/C, Right
	0GU96SC3	1			53			*O0	Mist Gray, With A/C, Right
	0GU96SK5	1			53			*O0	Camel, With A/C, Right
	0GH61SC3	1			53			*O0	Mist Gray, Without Tonneau Cover, Left
	0GH61SK5	1			53			*O0	Camel, Without Tonneau Cover, Left
5	04754670	1			53				BRACKET, Quarter Trim Attaching Right Side
6	06031869	4			52				NUT, Push, .19, Quater Panel Attaching
7									MOLDING, C-Pillar
	0GH63SC1	1						*O0	Mist Gray, With Sliding Door, Left
	0GH63SK4	1						*O0	Camel, With Sliding Door, Left
	0GH30SC1	1						*O0	Mist Gray, Right
	0GH30SK4	1						*O0	Camel, Right
-8									BRACKET, Quarter Trim
	04706984	1			52				To The Sheet Metal, Right
	04706985	1			52				To The Sheet Metal, Left
-9									BRACKET, Bolster
	04754528	1							Right
	04754529	1							Left
-10									SUPPORT, Rear Shelf Trim Panel
	04754080	1							w/Tonneau Cover, Right
	04754081	1							w/Tonneau Cover, Left

AR = use ase required - = Non illustrated part

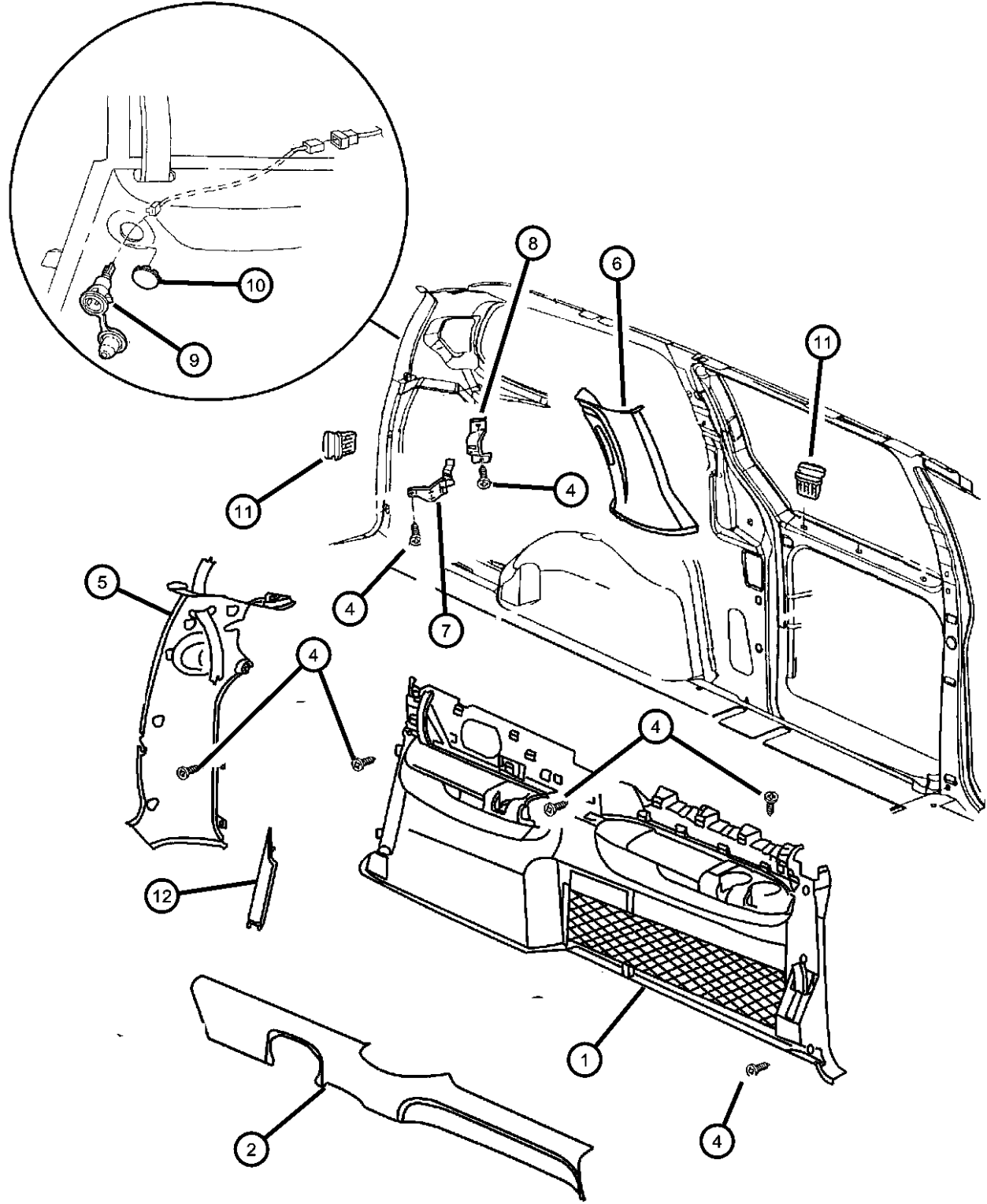
Quarter Panel 112' Wheelbase - Left
Figure IGS-240



ITEM	PART NUMBER	QTY	LINE	SERIES	BODY	ENGINE	TRANS	TRIM	DESCRIPTION
1	0GZ09SC3	1			52			*O0	PANEL, Quarter Trim Mist Gray, Left
	0GZ09SK5	1			52			*O0	Taupe, Left
2	0GZ21SC3	1			52			*B7	BOLSTER, Quarter Trim Panel Mist Gray, Left
	0GZ21SK5	1			52			*B7	Taupe, Left
	0GZ25SC3	1			52			*GL	Mist Gray, Left
	0GZ25SK5	1			52			*GL	Taupe, Left
	0GZ19SC3	1			52			*C7	Mist Gray, Left
	0GZ19SK5	1			52			*C7	Taupe, Left
	0GZ23SC3	1	C		52			*E7	Mist Gray, Left
	0GZ23SK5	1	C		52			*E7	Taupe, Left
-3	04754528	1							BRACKET, Bolster Right
	04754529	1							Left
4	06035556	4							SCREW, Pan Head Tapping, .19-16x.625, Quarter Panel Attaching
5	0GH58SC3	1			52			*O0	MOLDING, D Pillar Mist Gray, With Speakers, Right
	0GH58SK5	1			52			*O0	Camel, With Speakers, Right
	0GH59SC3	1			52			*O0	Mist Gray, With Speakers, Left
	0GH59SK5	1			52			*O0	Camel, With Speakers, Left
	0GH60SC3	1			53			*O0	Mist Gray, Without A/C, Right
	0GH60SK5	1			53			*O0	Camel, Without A/C, Right
	0GU96SC3	1			53			*O0	Mist Gray, With A/C, Right
	0GU96SK5	1			53			*O0	Camel, With A/C, Right
	0GH61SC3	1			53			*O0	Mist Gray, Without Tonneau Cover, Left
	0GH61SK5	1			53			*O0	Camel, Without Tonneau Cover, Left
6	0GH63SC1	1						*O0	MOLDING, C-Pillar Mist Gray, With Sliding Door, Left
	0GH63SK4	1						*O0	Camel, With Sliding Door, Left
	0GH30SC1	1						*O0	Mist Gray, Right
	0GH30SK4	1						*O0	Camel, Right
7	04754687	1			52				BRACKET, Quarter Trim
8	04706984	1			52				BRACKET, Quarter Trim Bracket To Sheet Metal, Right
	04706985	1			52				Bracket To Sheet Metal, Left
9	04685247	1							POWER OUTLET, Cigar Lighter
10	0HX32SC3	1						*O0	PLUG, 12 V-Outlet Mist Gray

AR = use ase required - = Non illustrated part

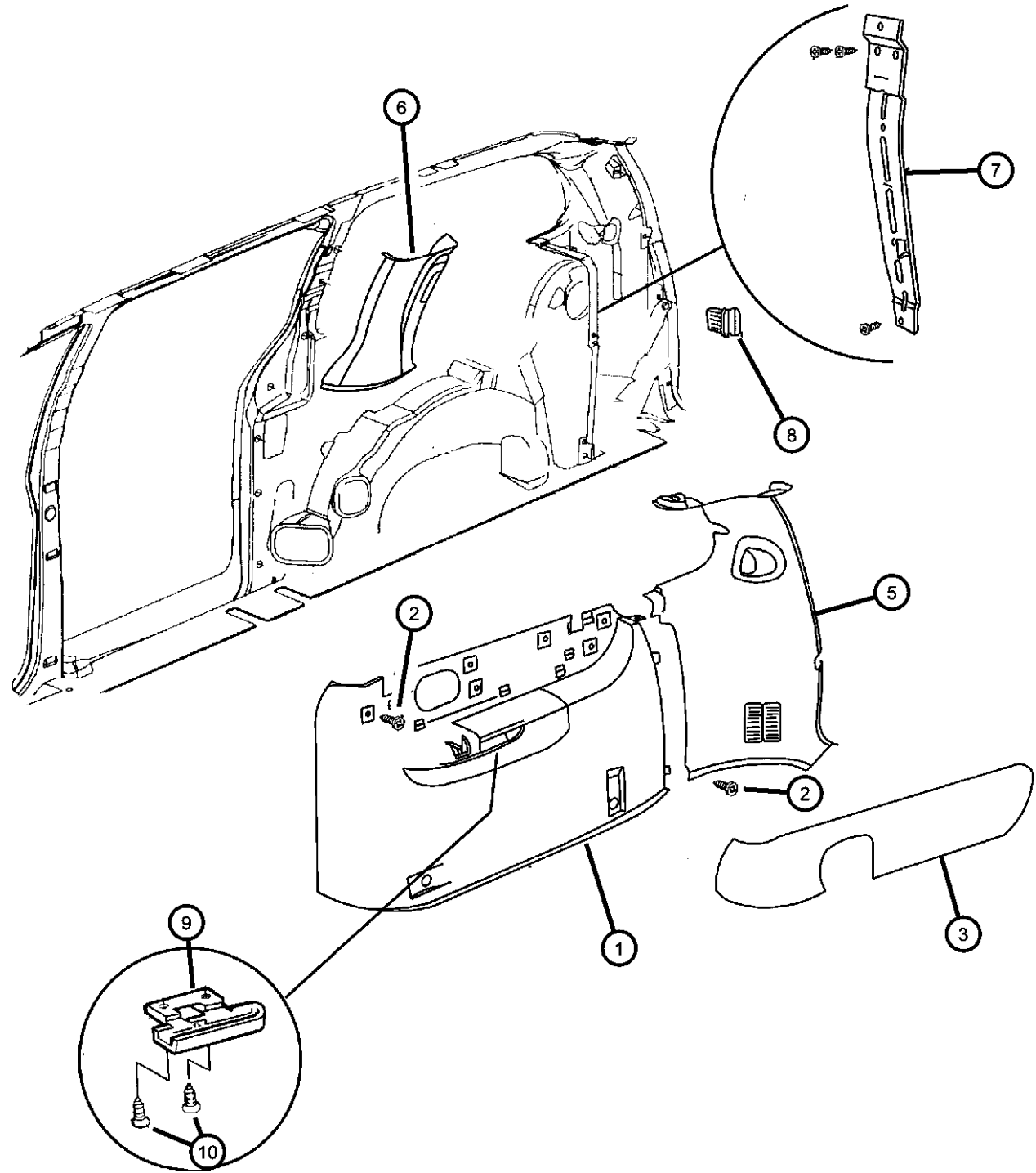
Quarter Panel 112' Wheelbase - Left
Figure IGS-240



ITEM	PART NUMBER	QTY	LINE	SERIES	BODY	ENGINE	TRANS	TRIM	DESCRIPTION
	0HX32SK5	1						*O0	Taupe
11	06031869	2							NUT, Push, .19, Quarter Panel To Sheet Metal COVER, Jack
12	0JF63SC3	1			52			*O0	Mist Gray
	0JF63SK5	1			52			*O0	Taupe
-13	04754080	1							SUPPORT, Rear Shelf Trim Panel w/Tonneau Cover, Right
	04754081	1							w/Tonneau Cover, Left
-14	06503942	4						*C7	NUT/SPRING, Push On, For M3 Stud, Ash Receiver Attaching LATCH, Storage Bin Lid
-15	04706606	1			53				LATCH, Storage Bin Lid
-16	04754478	2			53				BUMPER, Armrest Lid

AR = use ase required - = Non illustrated part

Quarter Panel 119' Wheelbase - Right
Figure IGS-245



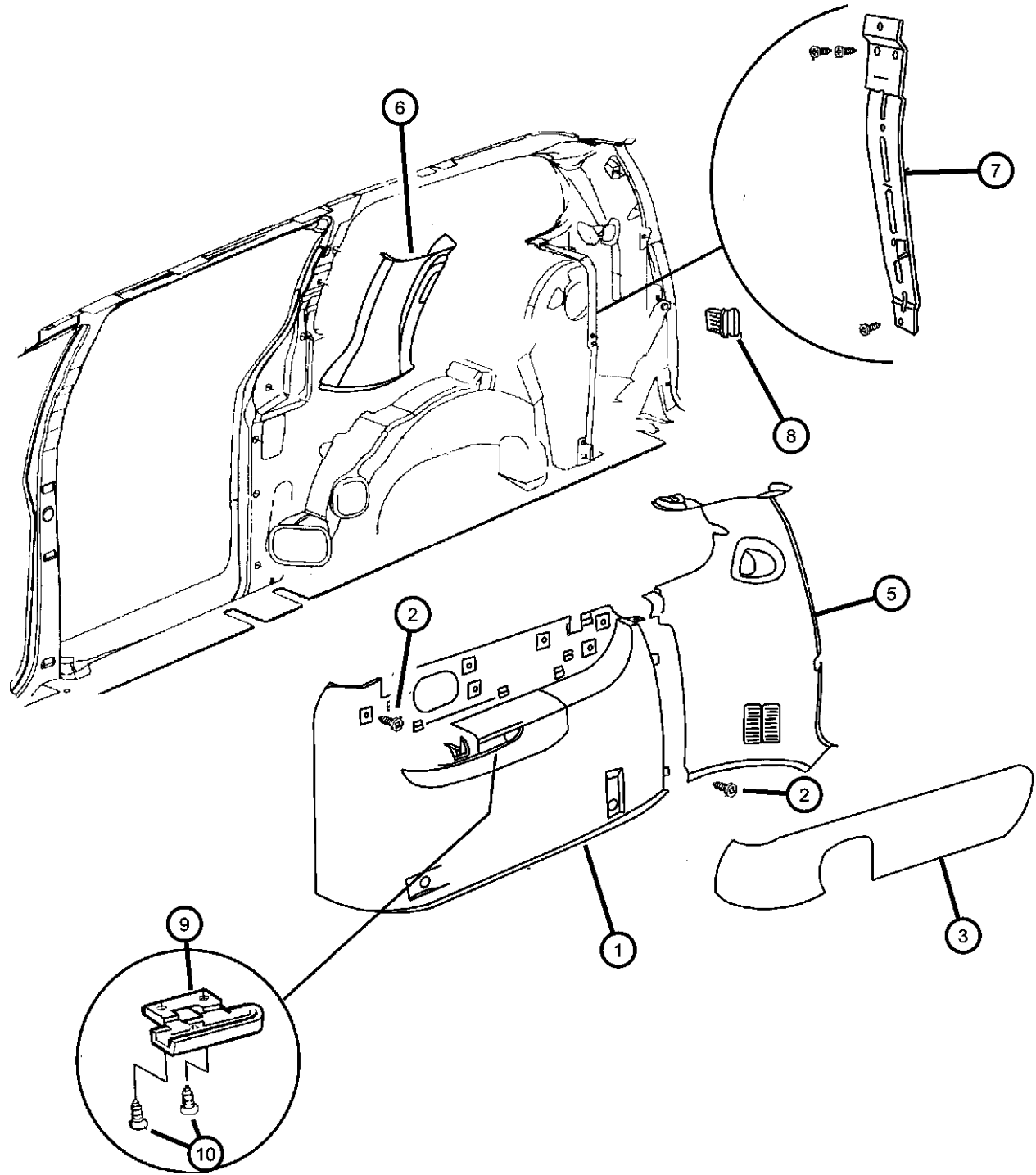
ITEM	PART NUMBER	QTY	LINE	SERIES	BODY	ENGINE	TRANS	TRIM	DESCRIPTION
1	0HW88SC3	1			53			*O0	PANEL, Quarter Trim Mist Gray, w/o Heater and w/o A/C, Right
	0HW92SK5	1			53			*O0	Tan, w/Heater and A/C, Right
2	06035556	4							SCREW, Pan Head Tapping, .19-16x.625
3									BOLSTER, Quarter Trim Panel
	0HW96SC3	1			53			*B7	Mist Gray , w/o Heater and A/C, Right
	0HW96SK5	1			53			*B7	Tan, w/o Heater and A/C, Right
	0HX00SC3	1			53			*GL	Mist Gray, w/o Heater and A/C, Right
	0HX00SK5	1			53			*GL	Tan, w/o Heater and A/C, Right
	0HX06SC3	1			53			*B7	Mist Gray, w/Heater and A/C, Right
	0HX06SK5	1			53			*B7	Tan, (With Heater and A/C, Right
	0HX08SC3	1			53			*E7	Mist Gray, Right
	0HX08SK5	1			53			*E7	Taupe, Right & Left
	0HX10SC3	1			53			*GL	Mist Gray, w/Heater and A/C, Right
	0HX10SK5	1			53			*GL	Tan, w/Heater and A/C, Right
-4									BRACKET, Bolster
	04754528	1							Right
	04754529	1							Left
5									MOLDING, D Pillar
	0GH58SC3	1			52			*O0	Mist Gray, With Speakers, Right
	0GH58SK5	1			52			*O0	Camel, With Speakers, Right
	0GH59SC3	1			52			*O0	Mist Gray, With Speakers, Left
	0GH59SK5	1			52			*O0	Camel, With Speakers, Left
	0GH60SC3	1			53			*O0	Mist Gray, Without A/C, Right
	0GH60SK5	1			53			*O0	Camel, Without A/C, Right
	0GU96SC3	1			53			*O0	Mist Gray, With A/C, Right
	0GU96SK5	1			53			*O0	Camel, With A/C, Right
	0GH61SC3	1			53			*O0	Mist Gray, Without Tonneau Cover, Left
	0GH61SK5	1			53			*O0	Left
6									MOLDING, C-Pillar
	0GH63SC1	1						*O0	Mist Gray, With Sliding Door, Left
	0GH63SK4	1						*O0	Camel, With Sliding Door, Left
	0GH30SC1	1						*O0	Mist Gray, Right
	0GH30SK4	1						*O0	Camel, Right
7									BRACKET, Quarter Trim
	04706814	1			53				w/A/C and Heater
	04754670	1			53				w/o A/C and Heater
8	06031869	6			53				NUT, Push, .19

AR = use ase required - = Non illustrated part

Quarter Panel 119' Wheelbase - Right
Figure IGS-245

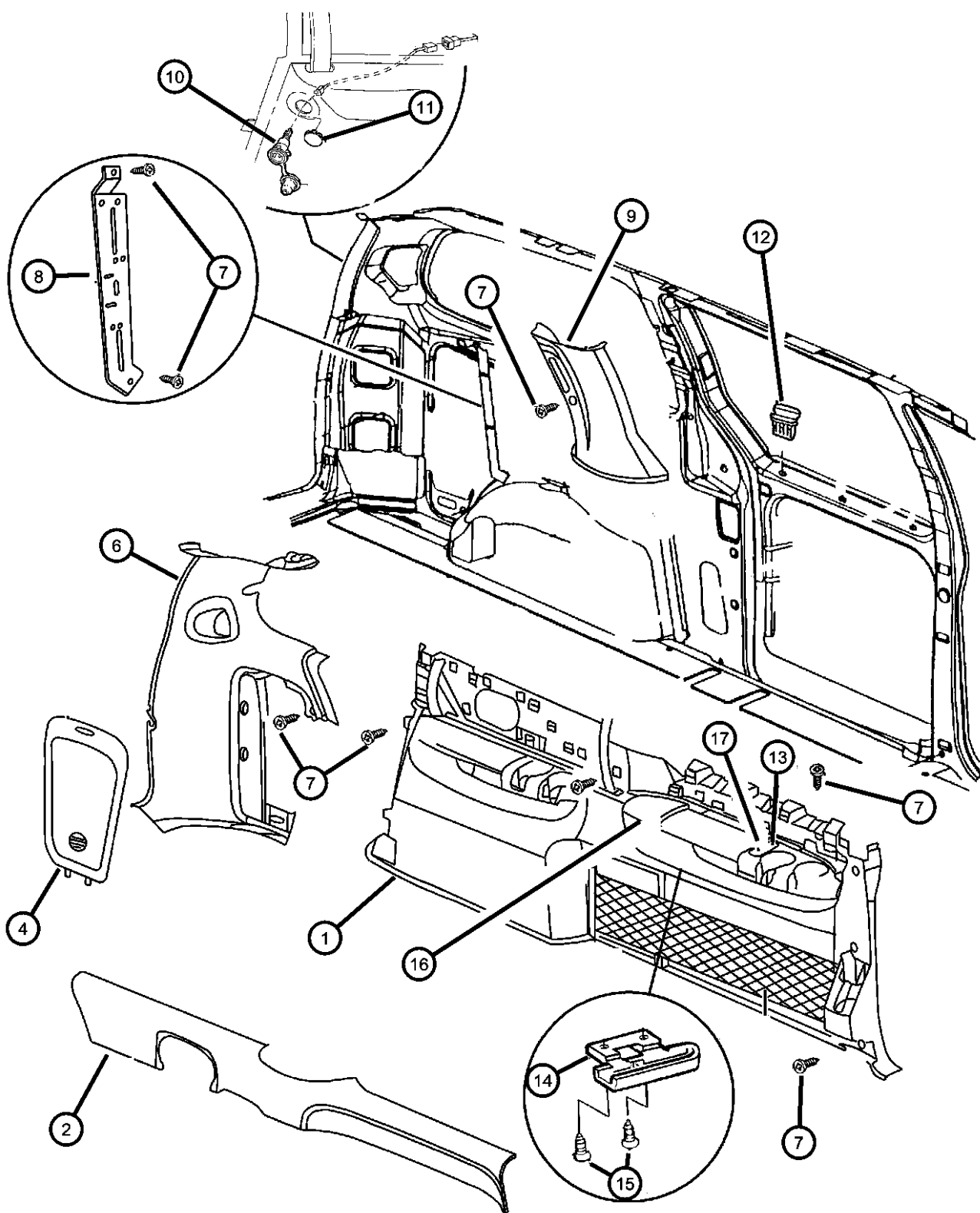
ITEM	PART NUMBER	QTY	LINE	SERIES	BODY	ENGINE	TRANS	TRIM	DESCRIPTION
------	-------------	-----	------	--------	------	--------	-------	------	-------------

9	04706606	1			53				LATCH, Storage Bin Lid
10	04706606	1							SCREW, .164-18x.500, (NOT SERVICED)



AR = use ase required - = Non illustrated part

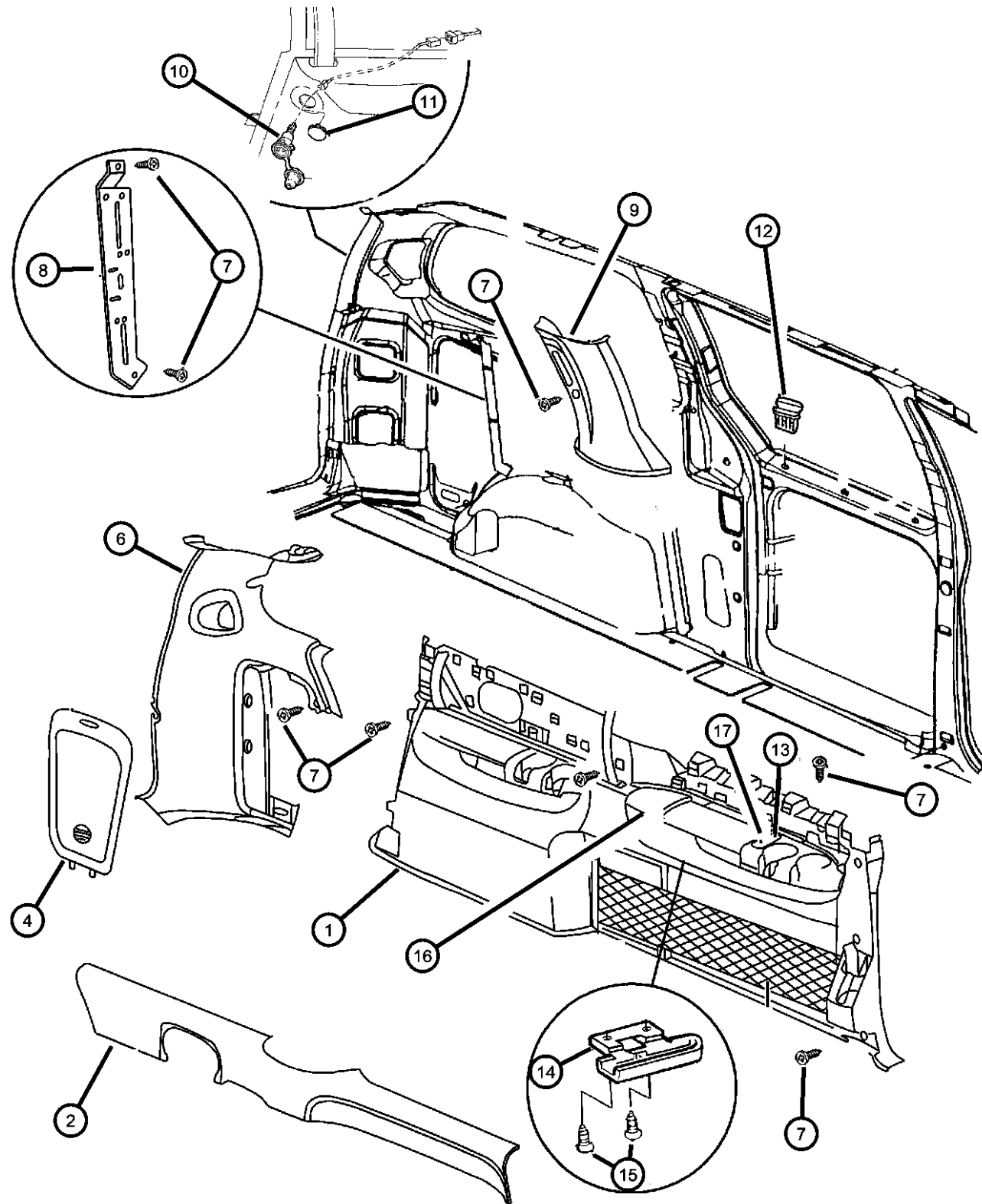
Quarter Panel 119' Wheelbase - Left
Figure IGS-250



ITEM	PART NUMBER	QTY	LINE	SERIES	BODY	ENGINE	TRANS	TRIM	DESCRIPTION
1	0HW89SC3	1			53			*O0	PANEL, Quarter Trim Mist Gray, Left
	0HW89SK5	1			53			*O0	Taupe, Left
2	0HX11SC3	1			53			*B7	BOLSTER, Quarter Trim Panel Mist Gray, Left
	0HX11SK5	1			53			*B7	Taupe, Left
	0HX13SC3	1			53			*E7	Mist Gray, Left
	0HX13SK5	1			53			*E7	Taupe, Left
	0HX15SC3	1			53			*GL	Mist Gray, Left
	0HX15SK5	1			53			*GL	Taupe, Left
-3	04754528	1							BRACKET, Bolster Rear Attaching, Right
	04754529	1							Rear Attaching, Left
4	0JB37SC3	1			53			*O0	COVER, D Pillar Jack Storage Mist Gray
	0JB37SK5	1			53			*O0	Taupe
-5	06503104	1			53			*O0	CLIP, Molding
6	0GH58SC3	1			52			*O0	MOLDING, D Pillar Mist Gray, With Speakers, Right
	0GH58SK5	1			52			*O0	Camel, With Speakers, Right
	0GH59SC3	1			52			*O0	Mist Gray, With Speakers, Left
	0GH59SK5	1			52			*O0	Camel, With Speakers, Left
	0GH60SC3	1			53			*O0	Mist Gray, Without A/C, Right
	0GH60SK5	1			53			*O0	Camel, Without A/C, Right
	0GU96SC3	1			53			*O0	Mist Gray, With A/C, Right
	0GU96SK5	1			53			*O0	Camel, With A/C, Right
	0GH61SC3	1			53			*O0	Mist Gray, With Out Tonneau Cover, Left
	0GH61SK5	1			53			*O0	Camel, , With Out Tonneau Cover, Left
7	06035556	4							SCREW, Pan Head Tapping, .19-16x.625
8	04706869	1			53				BRACKET, Trim
9	0GH63SC1	1						*O0	MOLDING, C-Pillar Mist Gray, With Sliding Door, Left
	0GH63SK4	1						*O0	Camel, With Sliding Door, Left
	0GH30SC1	1						*O0	Mist Gray, Right
	0GH30SK4	1						*O0	Camel, Right
10	04685247	1							POWER OUTLET, Cigar Lighter
11	0HX32SC3	1						*O0	PLUG, 12 V-Outlet Mist Gray
	0HX32SK5	1						*O0	Taupe

AR = use ase required - = Non illustrated part

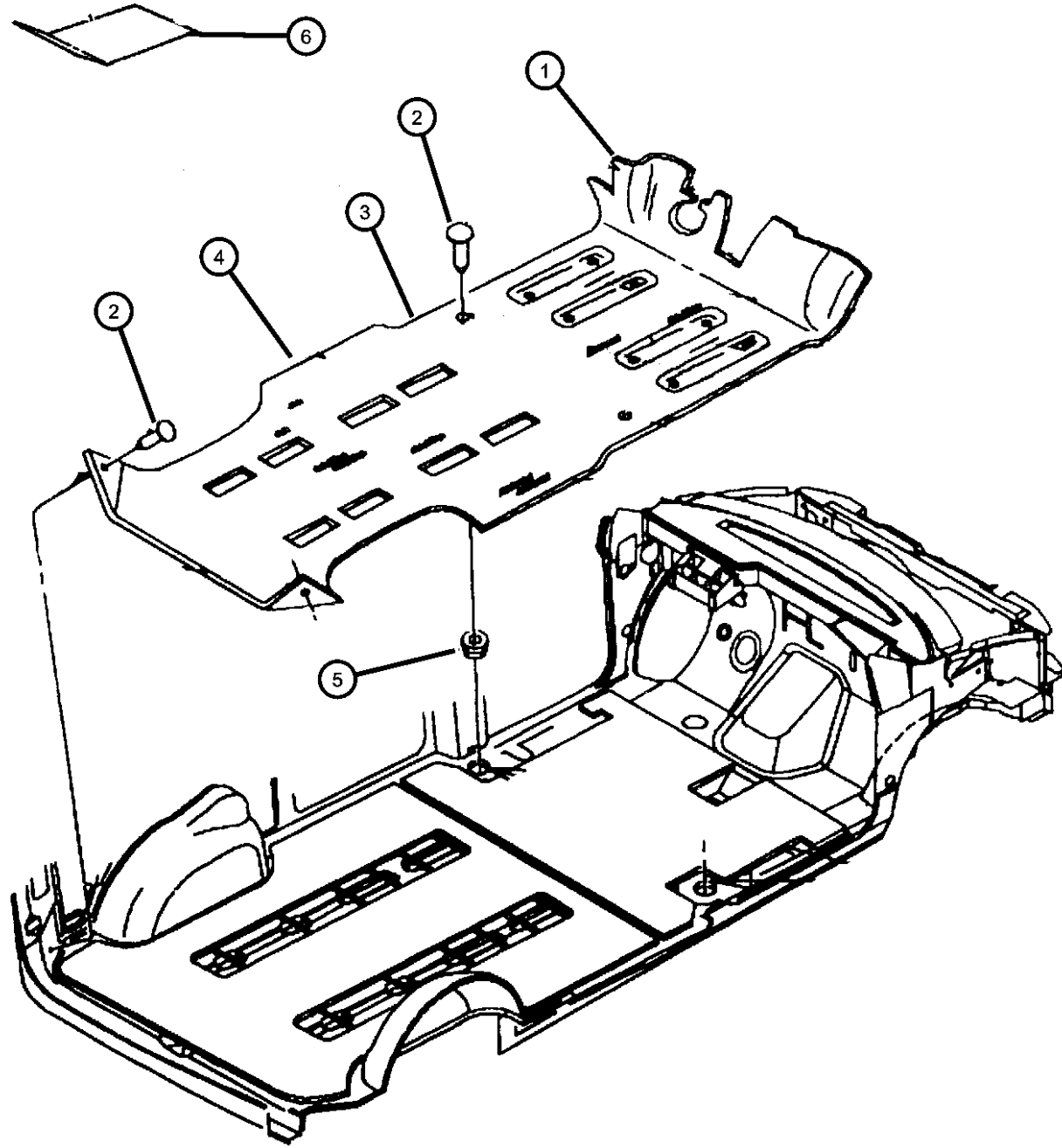
Quarter Panel 119' Wheelbase - Left
Figure IGS-250



ITEM	PART NUMBER	QTY	LINE	SERIES	BODY	ENGINE	TRANS	TRIM	DESCRIPTION
12	06031869	2							NUT, Push, .19, Quarter Panel Attaching
13	06503942	4						*C7	NUT/SPRING, Push On, For M3 Stud, Ash Receiver Attaching
14	04706606	1			53				LATCH, Storage Bin Lid
15	04706606	1							SCREW, (NOT SERVICED)
16	04754478	2			53				BUMPER, Armrest Lid
17									ASH RECEIVER, Quarter Panel
	0JU27SC3	1						*O0	Mist Gray
	0JU27SK5	1						*O0	Tan

AR = use ase required - = Non illustrated part

Carpet
Figure IGS-310

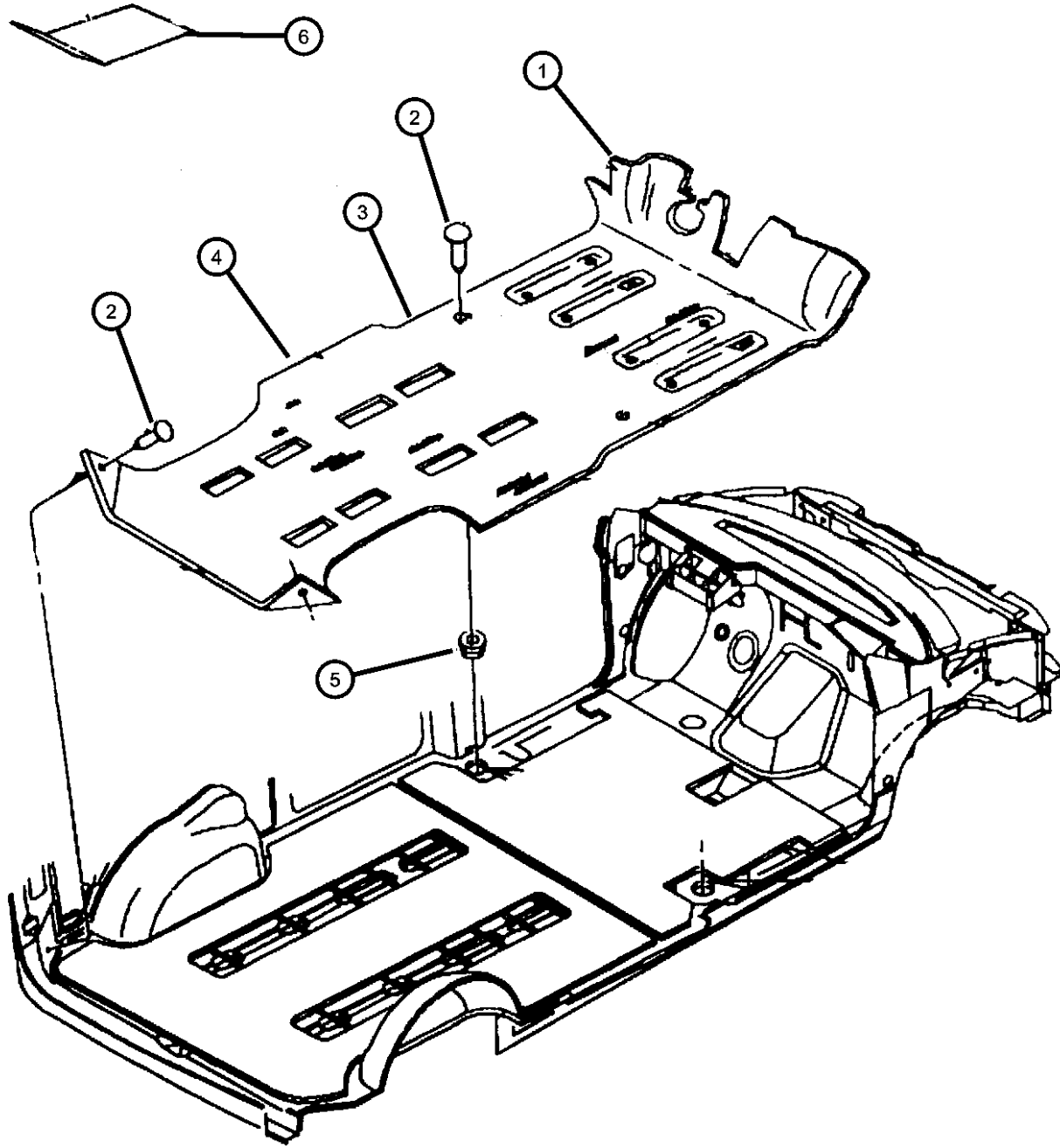


ITEM	PART NUMBER	QTY	LINE	SERIES	BODY	ENGINE	TRANS	TRIM	DESCRIPTION
1									CARPET, Floor
	0MV80SC3	1	C	P	52			*00	7 Passenger w/Bench Seating Mist Gray
	0MV80SK5	1	C	P	52			*00	7 Passenger w/Bench Seating Tan
	0MV81SC3	1	C	H	52			*00	w/7 Passenger Mist Gray
	0MV81SK5	1	C	H	52			*00	w/7 Passenger Tan
	0MV82RC3	1	C		52			*00	w/5 Passenger Mist Gray
	0MV82RK5	1	C		52			*00	w/5 Passenger Tan
	0JG92RC3AB	1	U, Z	H	52			*00	Mist Gray, w/7 Passenger
	0JG92RK5AB	1	U, Z	H	52			*00	Tan, w/7 Passenger
	0JG93RC3AB	1	U, Z	H	53			*00	Mist Gray, w/7 Passenger
	0JG93RK5AB	1	U, Z	H	53			*00	Tan, w/7 Passenger
	0MS05RC3AB	1	U, Z		52			*00	Mist Gray, w/7 Passenger and Quad Seats
	0MS05RK5AB	1	U, Z		52			*00	Tan, w/7 Passenger and Quad Seats
	0MS06RC3AB	1	Z		53			*00	Mist Gray, w/7 Passenger and Quad Seats
	0MS06RK5AB	1	Z		53			*00	Tan, w/7 Passenger and Quad Seats
	0MS08RC3AB	1	Z	P	53			*00	Mist Gray, w/7 Passenger and Quad Seats
	0MS08RK5AB	1	Z	P	53			*00	Tan, w/7 Passenger and Quad Seats
	0MU49RC3AB	1	U, Z	P	52			*00	Mist Gray, w/7 Passenger
	0MU49RK5AB	1	U, Z	P	52			*00	Tan, w/7 Passenger
	0MV83SC3	1	C, Y	H	53			*00	7/Passenger w/o Rear Seat Mist Gray
	0MV83SK5	1	C, Y	H	53			*00	7/Passenger w/o Rear Seat Tan
	0MV84SC3	1	C	P	53			*00	7 Passenger w/Bench Seating Mist Gray
	0MV84SK5	1	C	P	53			*00	7 Passenger w/Bench Seating Tan
	0MV86SC3	1	C, Y		52			*00	7/Passenger and w/Quad Seating Mist Gray
	0MV86SK5	1	C, Y		52			*00	7/Passenger and w/Quad Seating Tan
	0MV87SC3	1	C, Y		53			*00	7/Passenger and w/Quad Seating Mist Gray
	0MV87SK5	1	C, Y		53			*00	7/Passenger and w/Quad Seating Tan
2	06501067	2							PIN, Push, M6.3x20.5
3									SILENCER, Floor Pan
	04754147	1		H	53				Front Floor
	04754421AC	1	U, Z						Front Floor
4	04754147	1		H	53				SILENCER, Floor Pan, Rear Floor
5	04754324	2							GROMMET, Floor Carpet
6									MAT KIT, Floor - Complete, Accessory Catalog Part

AR = use ase required - = Non illustrated part

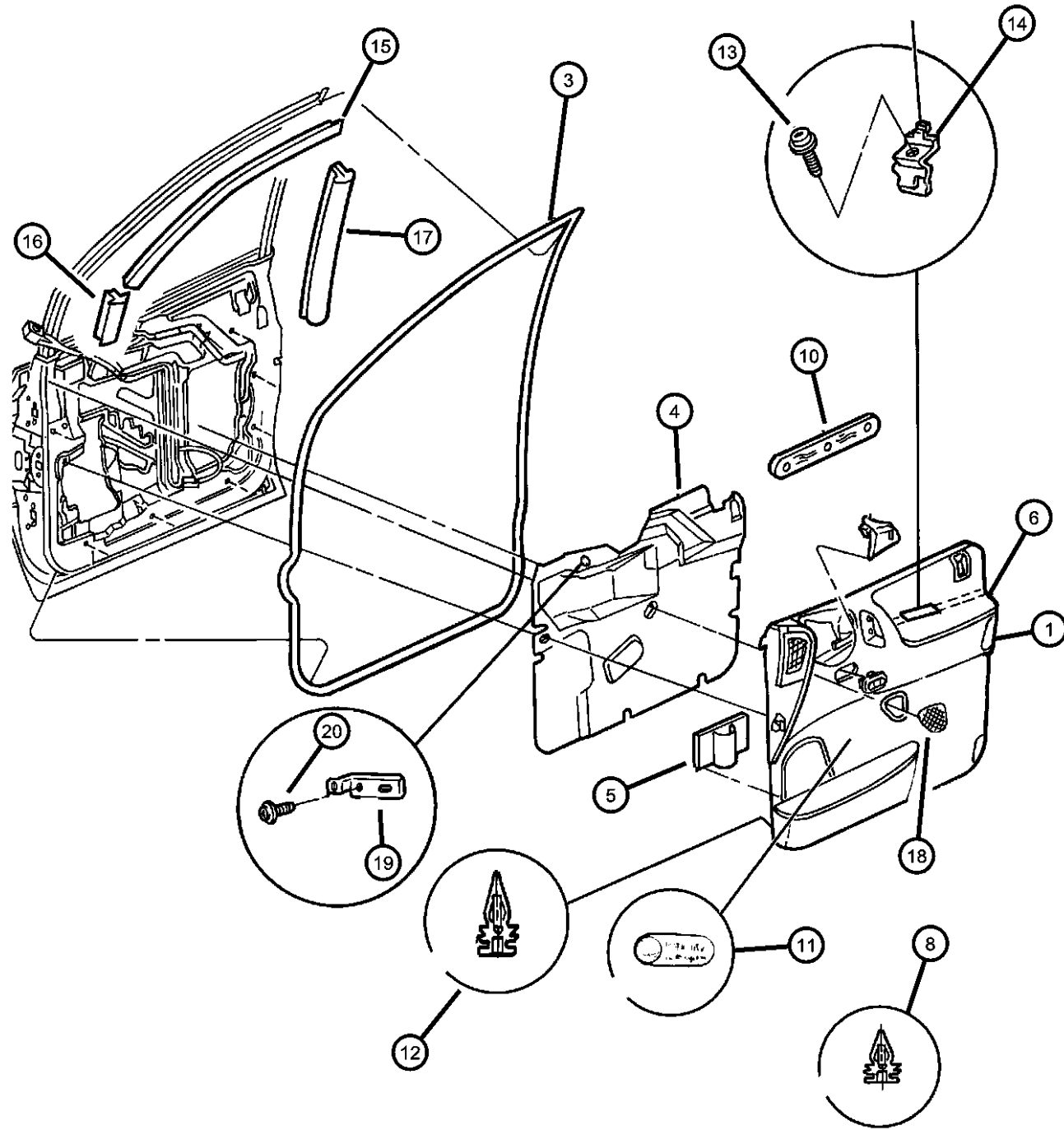
Carpet
Figure IGS-310

ITEM	PART NUMBER	QTY	LINE	SERIES	BODY	ENGINE	TRANS	TRIM	DESCRIPTION
	82204208	1							Gray, Quad Seating, Front and Rear
	82204209	1							Camel, Quad Seating, Front and Rear
	82204308	1			52			*00	Gray, Front and Rear
	82204309	1			52			*00	Camel, Front and Rear



AR = use ase required - = Non illustrated part

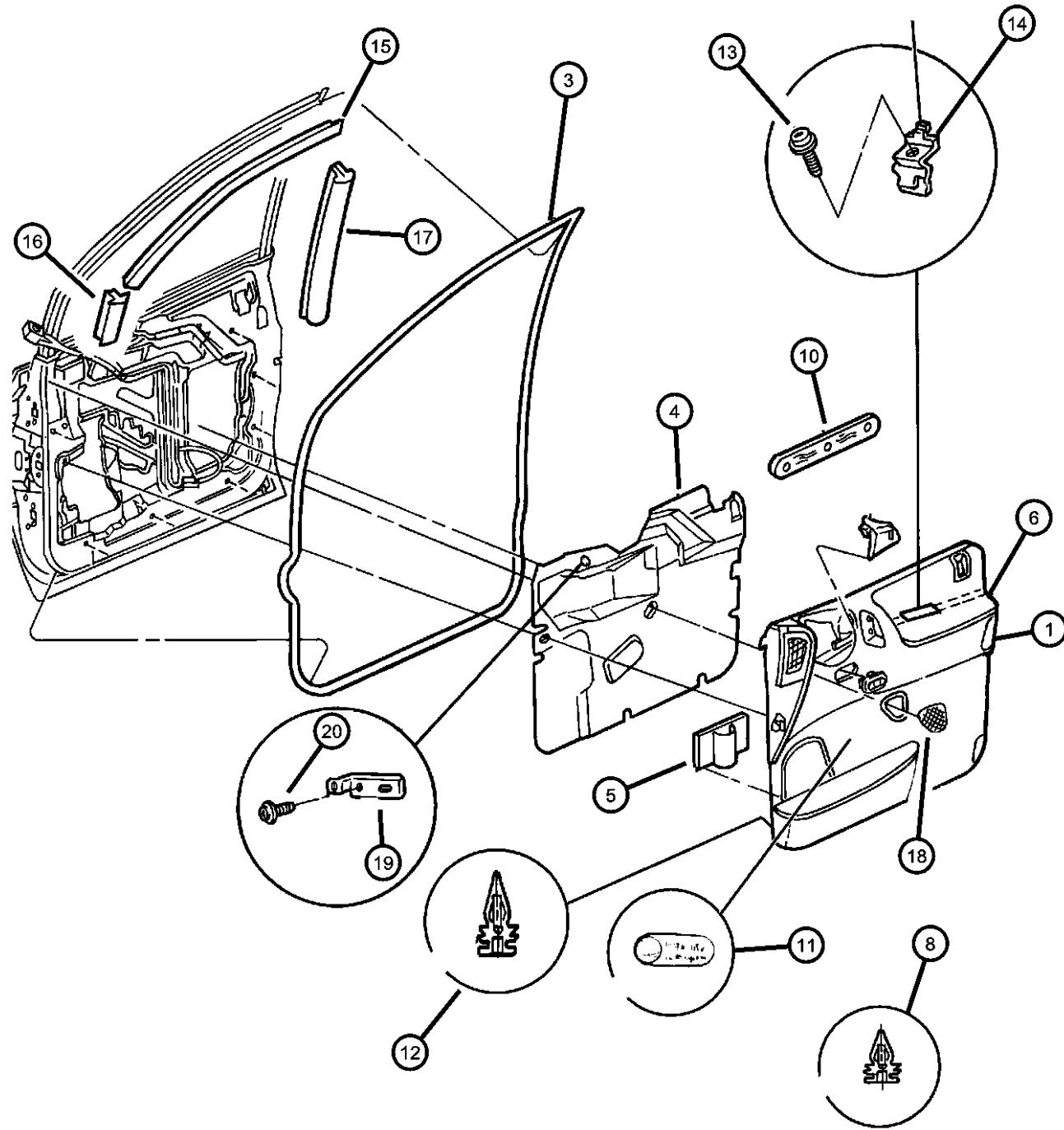
Front Door Panels
Figure IGS-410



ITEM	PART NUMBER	QTY	LINE	SERIES	BODY	ENGINE	TRANS	TRIM	DESCRIPTION
1									PANEL, Front Door Trim
	0PP70SC3	1	C					*E7	Mist Gray, Right
	0PP70SK5	1	C					*E7	Tan, Right
	0PP72SC3	1	C					*YL	Mist Gray, Right
	0PP72SK5	1	C					*YL	Tan, Right
	0GH99SC3	1	C					*B7	Mist Gray, Left
	0GH99SK5	1	C					*B7	Tan, Left
	0GP581C3	1	U, Z					*GL	Mist Gray, Right
		1	U, Z					*E7	Mist Gray, Right
	0GP581K5	1	U, Z					*GL	Tan, Right
		1	U, Z					*E7	Tan, Right
	0GP59RC3	1	U, Z					*GL	Mist Gray, Left
		1	U, Z					*E7	Mist Gray, Left
	0GP59RK5	1	U, Z					*GL	Tan, Left
		1	U, Z					*E7	Tan, Left
	0GP601C3	1	U, Z					*YL	Mist Gray, Right
	0GP601K5	1	U, Z					*YL	Tan, Right
	0KP441C3	1	U, Z					*B7	Mist Gray, w/Power Windows and Door Locks, Right
	0KP441K5	1	U, Z					*B7	Tan, w/Power Windows and Door Locks, Right
	0KP45RC3	1	U, Z					*B7	Mist Gray, w/Power Windows and Door Locks, Left
	0KP45RK5	1	U, Z					*B7	Tan, w/Power Windows and Door Locks, Left
	0PE24SC3	1	C, Y					*B7	Mist Gray, w/Door Locks, w/o Power Windows, Right
	0PE24SK5	1	C, Y					*B7	Tan, w/Door Locks, w/o Power Windows, Right
	0PE25SC3	1	C, Y					*B7	Mist Gray, w/Door Locks, w/o Power Windows, Left
	0PE25SK5	1	C, Y					*B7	Tan, w/Door Locks, w/o Power Windows, Left
	0PF401C3	1	U, Z					*B7	Mist Gray, w/Door Locks, w/o Power Windows, Right
	0PF401K5	1	U, Z					*B7	Tan, w/Door Locks, w/o Power Windows, Right
	0PF41RC3	1	U, Z					*B7	Mist Gray, w/Door Locks, w/o Power Windows, Left
	0PF41RK5	1	U, Z					*B7	Tan, w/Door Locks, w/o Power Windows, Left
	0QP62RC3	1	C, Y					*GL	Mist Gray, Right
	0QP62RK5	1	C, Y					*GL	Tan, Right
	0QP651C3	1	C, Y					*GL	Mist Gray, Left
	0QP651K5	1	C, Y					*GL	Tan, Left
-2									PANEL, Door Trim
	0GH99SC3	1	C					*B7	Mist Gray, w/Power Windows and Door Locks, Left

AR = use ase required - = Non illustrated part

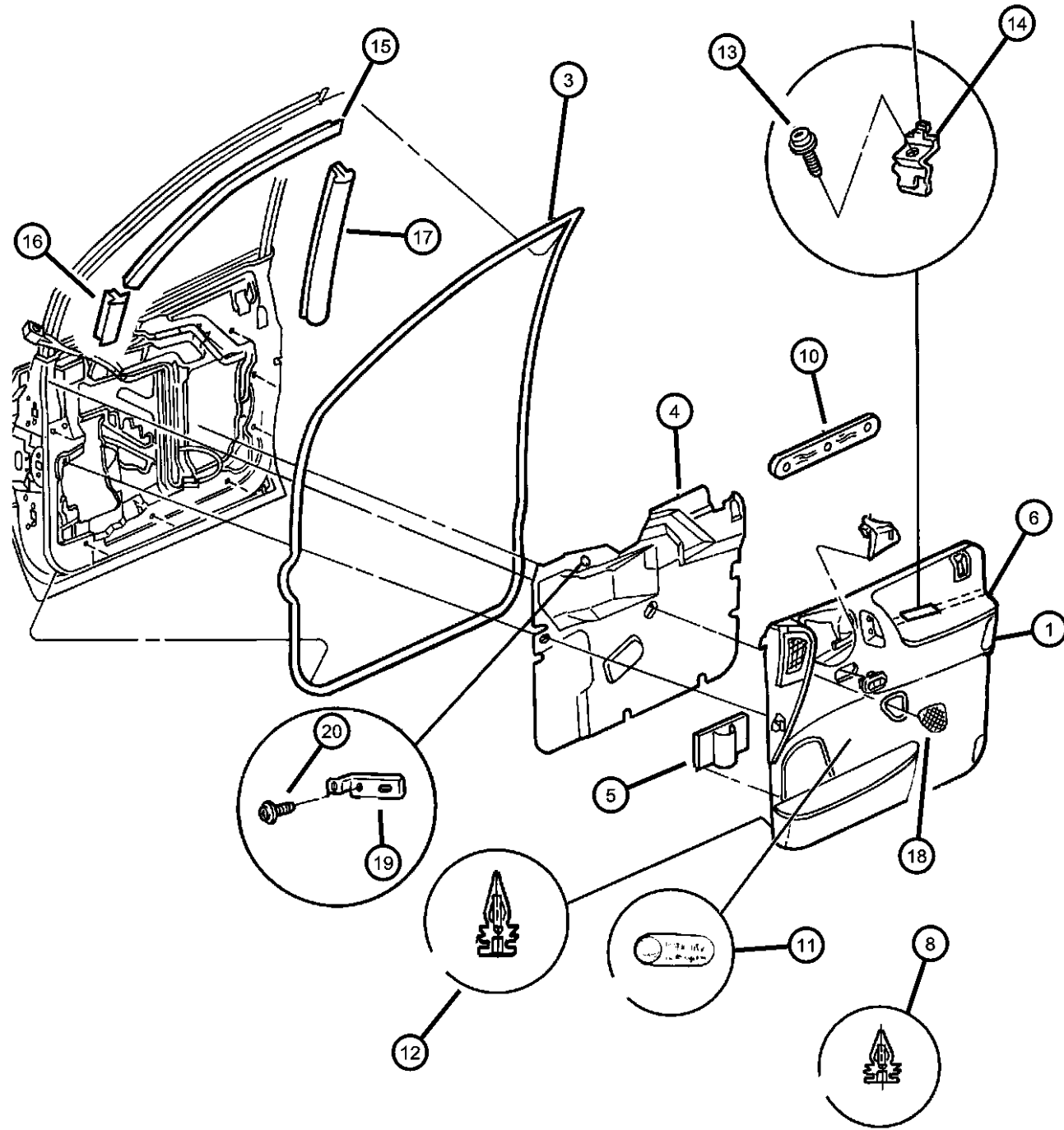
Front Door Panels
Figure IGS-410



ITEM	PART NUMBER	QTY	LINE	SERIES	BODY	ENGINE	TRANS	TRIM	DESCRIPTION
	0GH99SK5	1	C					*B7	Tan, w/Power Windows and Door Locks, Left
	0PE24SC3	1	C					*B7	Mist Gray, w/Power Door Locks w/o Power Windows, Right
	0PE24SK5	1	C					*B7	Tan, w/Power Door Locks w/o Power Windows, Right
	0PE25SC3	1	C					*B7	Mist Gray, w/Power Door Locks w/o Power Windows, Left
	0PE25SK5	1	C					*B7	Tan, w/Power Door Locks w/o Power Windows, Left
	0GH68SC3	1	C, Y					*C7	Mist Gray, w/o Power Door Locks, Right
	0GH69SC3	1	C, Y					*C7	Mist Gray, w/o Power Door Locks, Left
	0GJ30SC3	1	C, Y					*C7	Mist Gray, w/Power Door Locks, Right
	0GJ31SC3	1	C, Y					*C7	Mist Gray, w/Power Door Locks, Left
3									WEATHERSTRIP, Front Door
	04717328	1							Right
	04717329	1							Left
4	04717329	1							LINER, Front Door Inner Panel, (NOT SERVICED)
5	04717329	1							SILENCER, Door, (NOT SERVICED)
6									ARMREST, Door
	0GH74SC3	1	C					*C7	Mist Gray, Right
		1	C					*B7	Mist Gray, Right
		1	U					*B7	Mist Gray, Right
		1	C					*E7	Mist Gray, Right
		1	C					*GL	Mist Gray, Right
	0GH74SK5	1	C					*C7	Tan, Right
		1	C					*B7	Tan, Right
		1	U					*B7	Tan, Right
		1	C					*E7	Tan, Right
		1	C					*GL	Tan, Right
	0GH75SC3	1	C					*C7	Mist Gray, Left
		1	C					*GL	Mist Gray, Left
	0GH75SK5	1	C					*C7	Tan, Left
		1	C					*B7	Tan, Left
		1	U					*B7	Tan, Left
		1	C					*GL	Tan, Left
-7									PLUG, Armrest
	0WU50SC3	1						*B7	Mist Gray
		1						*E7	Mist Gray
		1						*GL	Mist Gray

AR = use ase required - = Non illustrated part

Front Door Panels
Figure IGS-410



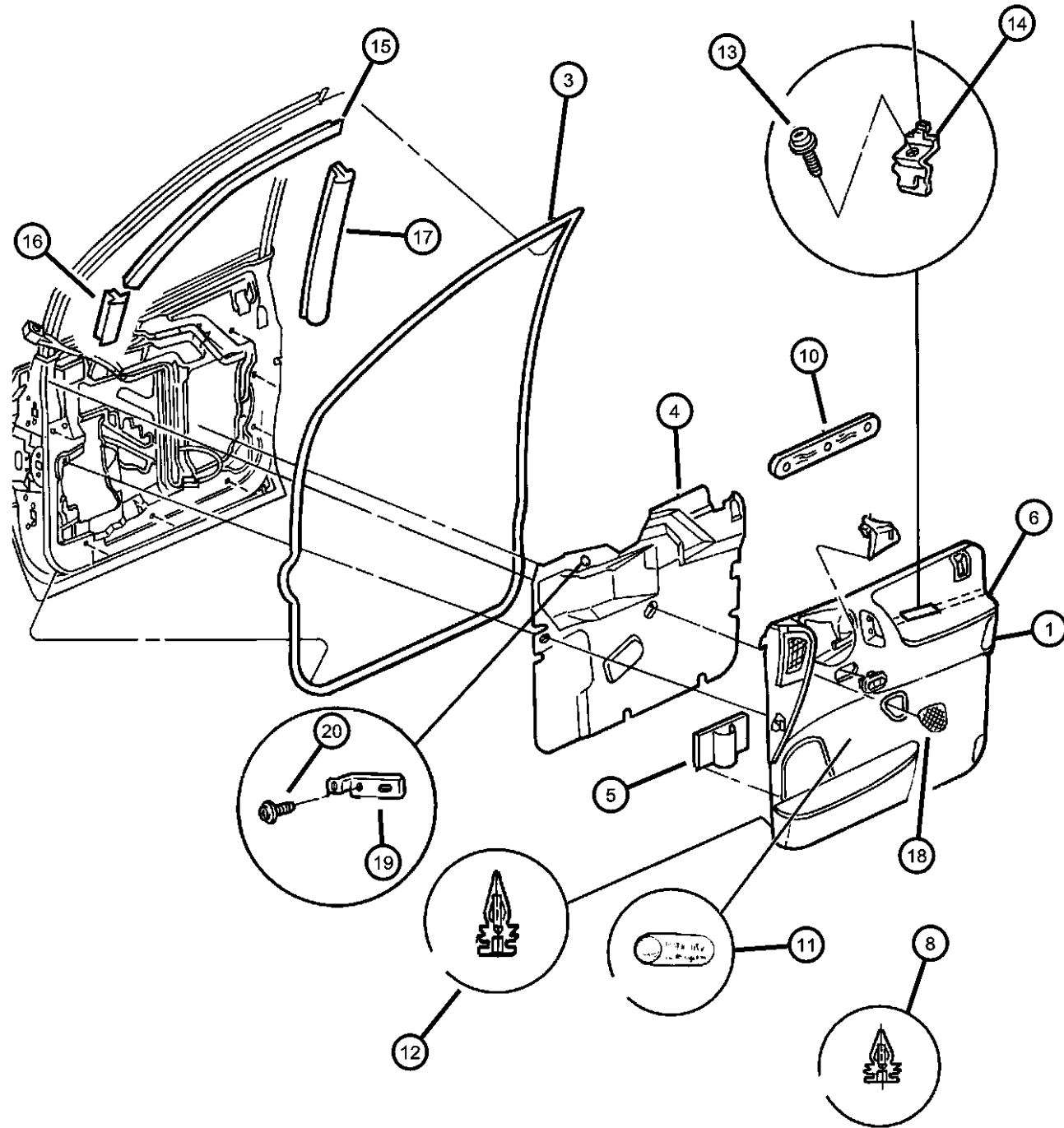
ITEM	PART NUMBER	QTY	LINE	SERIES	BODY	ENGINE	TRANS	TRIM	DESCRIPTION
		1						*YL	Mist Gray
	0WU50SK5	1						*B7	Tan
		1						*E7	Tan
		1						*GL	Tan
		1						*YL	Tan
8	06504014	11							FASTENER, Door Trim Panel, Green
-9									FASTENER, Door Trim Panel, White (2 - Piece)
	06504014	11						*B7	
		11	U, Z					*E7	
		11						*GL	
		11						*YL	
		11	C, Y					*E7	
		11						*C7	
10									MOLDING, Front Door, Woodgrain
	04754582	1	U						Right
		1	C						Right
	04754583	1	U						Left
		1	C						Left
11	04754554	2							LABEL, Front Door, INFINITY
12	06503204	3							FASTENER, Door Trim Panel
13									SCREW AND WASHER, Oval Head Tapping, .19-16x1.375
	06035711	2	C, Y						
		2	U, Z	H, L, P					
14									BRACKET, Door Pull Cup
	04706746	2	C, Y						
		2	U, Z	H, L, P					
15									MOLDING, Front Door Closeout
	04717232	1							Header, Right
	04717233	1							Header, Left
16									MOLDING, Front Door Closeout
	04717252	1							A-Pillar, Right
	04717253	1							A-Pillar, Left
17									MOLDING, Front Door Closeout
	04717254	1							B-Pillar, Right
	04717255	1							B-Pillar, Left
18									LAMP, Door, See Group 8
	04685224	1		P, S					Right
	04685225	1		P, S					Left
19									BRACKET

AR = use ase required - = Non illustrated part

Front Door Panels
Figure IGS-410

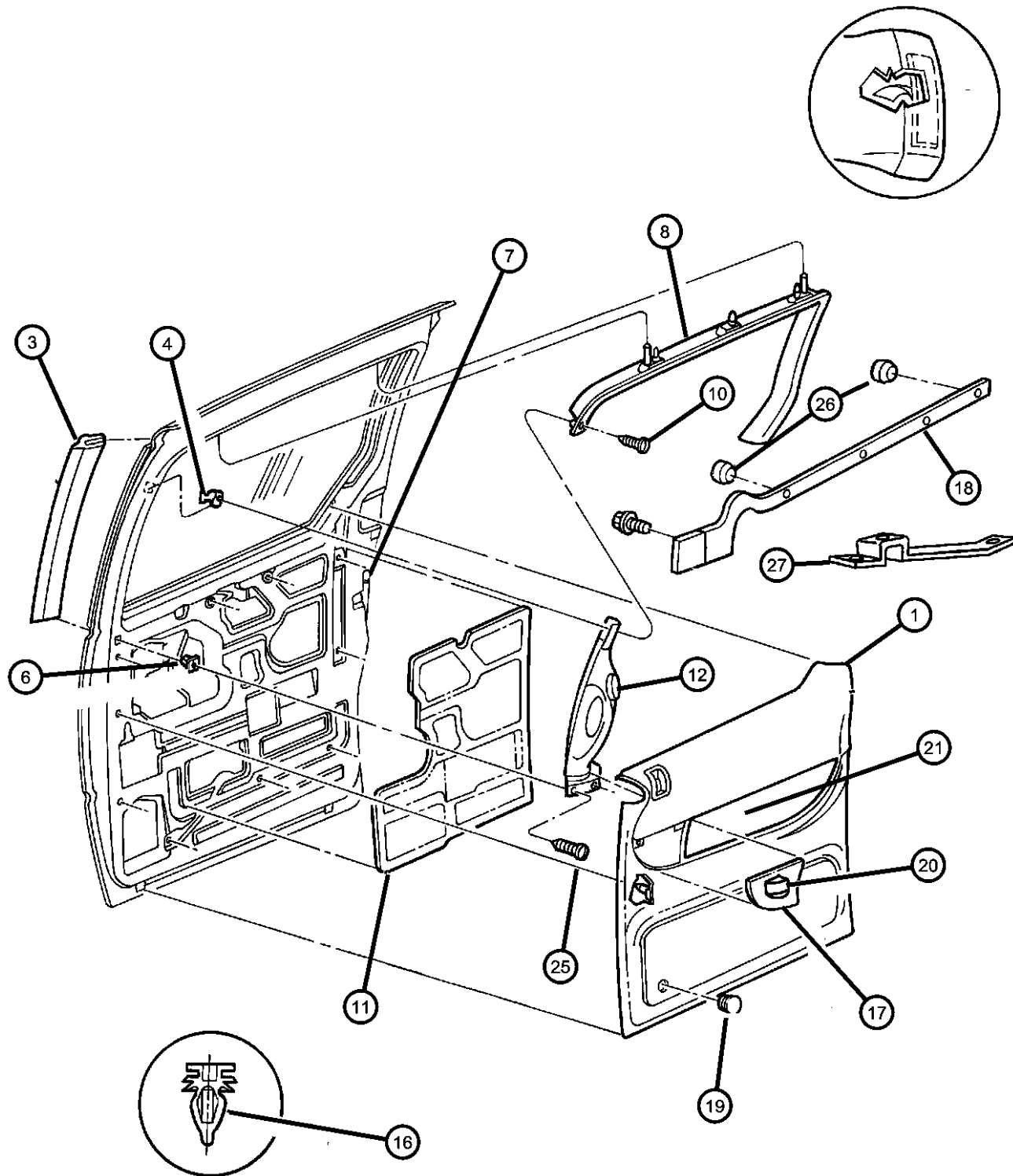
ITEM	PART NUMBER	QTY	LINE	SERIES	BODY	ENGINE	TRANS	TRIM	DESCRIPTION
------	-------------	-----	------	--------	------	--------	-------	------	-------------

	04754618	1	U, Z	S					Pull Handle, Right
	04754619	1	U, Z	S					Pull Handle, Left
20	04754619	1							SCREW, (NOT SERVICED),



AR = use ase required - = Non illustrated part

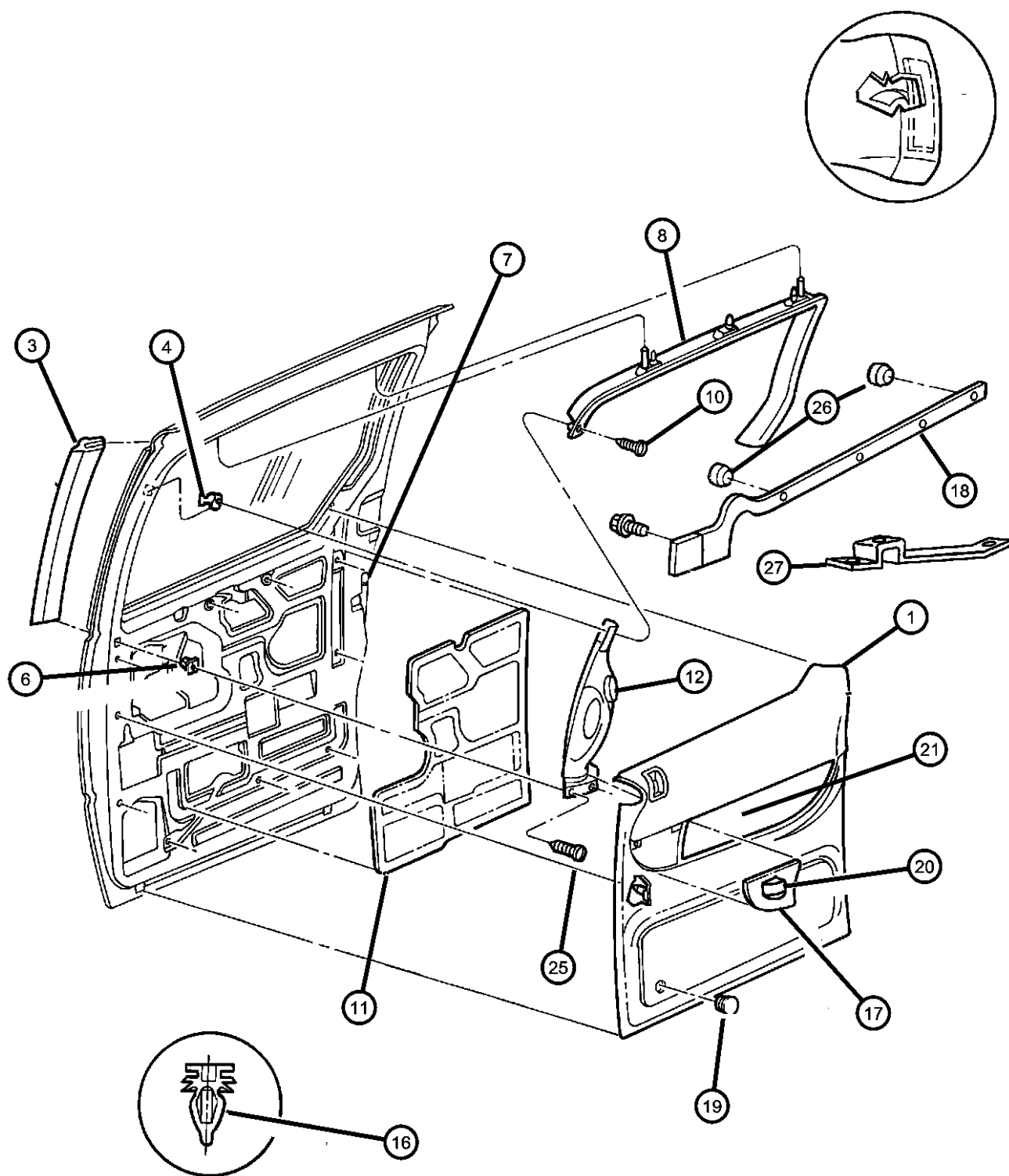
Panel Door Trim - Rear Sliding
Figure IGS-420



ITEM	PART NUMBER	QTY	LINE	SERIES	BODY	ENGINE	TRANS	TRIM	DESCRIPTION
1									PANEL, Rear Door Trim
	0GH80SC3	1						*B7	Mist Gray, Right
	0GH80SK5	1						*B7	Tan, Right
	0GH81SC3	1						*B7	Mist Gray, Left
	0GH81SK5	1						*B7	Tan, Left
	0GH82SC3	1	C, Y					*E7	Mist Gray, Right
	0GH82SK5	1	C, Y					*E7	Tan, Right
	0GH83SC3	1	C, Y					*E7	Mist Gray, Left
	0GH83SK5	1	C, Y					*E7	Tan, Left
	0GH84SC3	1						*GL	Mist Gray, Right
		1						*YL	Mist Gray, Right
		1	Z					*E7	Mist Gray, Right
	0GH84SK5	1						*GL	Tan, Right
		1						*YL	Tan, Right
		1	Z					*E7	Tan, Right
	0GH85SC3	1						*GL	Mist Gray, Left
		1						*YL	Mist Gray, Left
		1	Z					*E7	Mist Gray, Left
	0GH85SK5	1						*GL	Tan, Left
		1						*YL	Tan, Left
		1	Z					*E7	Tan, Left
-2									PANEL, Sliding Door Trim
	0GH98SC3	1	C, Y					*B7	Mist Gray
	0GH98SK5	1	C					*B7	Tan
3									WEATHERSTRIP, Sliding Door B Pillar
	04717154	1							Right
	04717155	1							Left
4	04754268	2							BRACKET, Grab Handle
-5	04754527	1							BRACKET, Ash Receiver
6									NUT, Snap In, .164-18
	06035401	6				S			
		2							
		6	Z			S			
7	04615952	1							BUMPER, Door Ajar Switch
8									MOLDING, Sliding Door
	0GG70SC1	1						*O0	Mist Gray, Right
	0GG70SK4	1						*O0	Tan, Right
	0GG71SC1	1						*O0	Mist Gray, Left
	0GG71SK4	1						*O0	Tan, Left
-9	04278178	2							TAPE, Hole Cover, 50x50x1 mm, Sliding Door Track Attaching Holes

AR = use ase required - = Non illustrated part

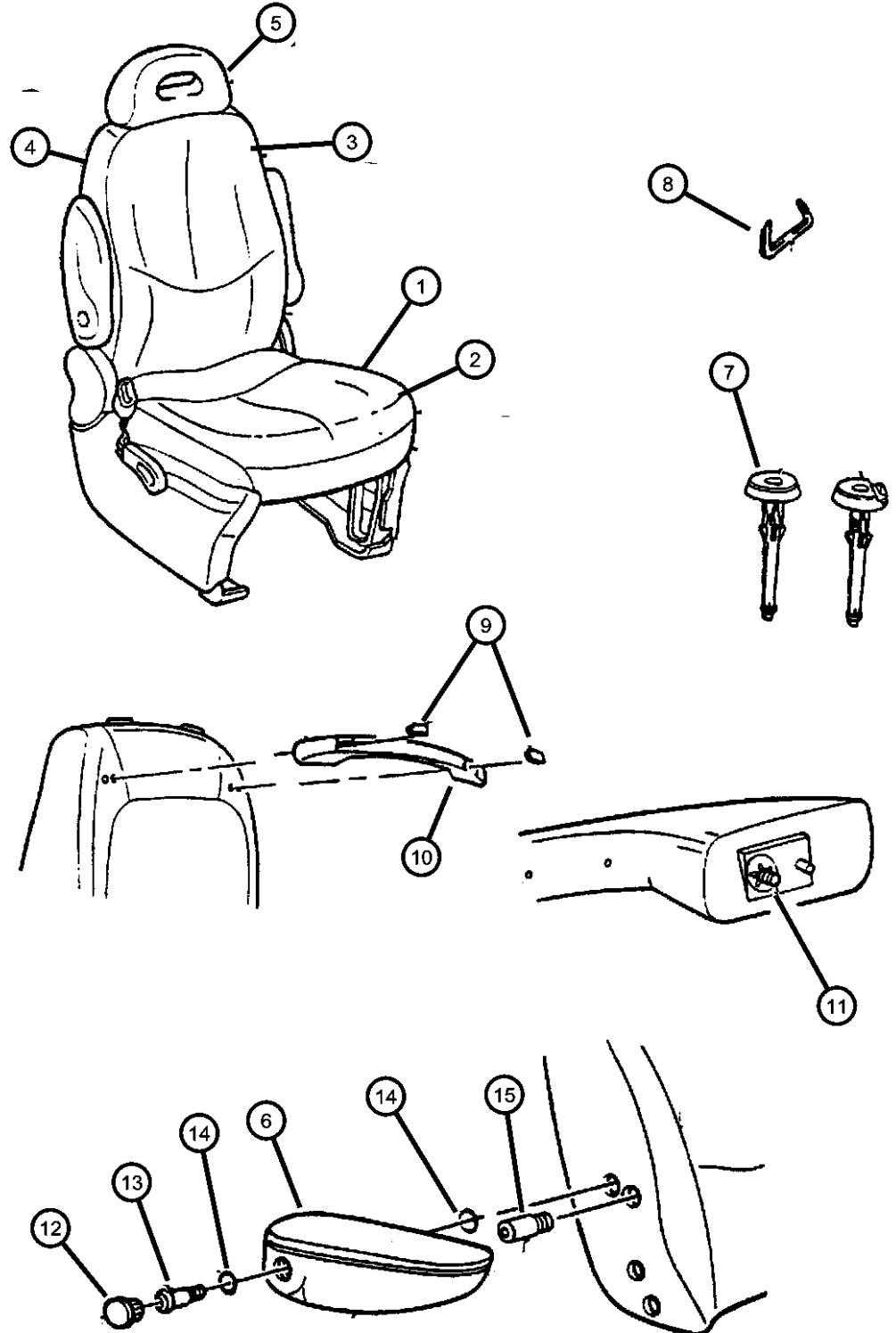
Panel Door Trim - Rear Sliding
Figure IGS-420



ITEM	PART NUMBER	QTY	LINE	SERIES	BODY	ENGINE	TRANS	TRIM	DESCRIPTION
10	06503174	2							CLIP, Molding, M8.3x15.20x0.50
11	06503174	2							SILENCER, Door, (NOT SERVICED)
12									HANDLE, Sliding Door
	0HT21SC1	1						*O0	Mist Gray, Left
	0HT21SK4	1						*O0	Tan, Left
-13	0HT21SK4	1							SCREW, .164-18x.75, Handle Attaching, (NOT SERVICED), BRACKET, Grab Handle
-14	04717303	1							PUSH PIN, M6.35x14, Sliding Door Grab Handle
-15	04717302	1							FASTENER, Door Trim Panel
16	06504014	11			52				BEZEL, Sliding Door Bumper
17									
	0JP08SC3	1						*O0	Mist Gray, Right
	0JP08SK5	1						*O0	Tan, Right
	0JP09SC3	1						*O0	Mist Gray, Left
	0JP09SK5	1						*O0	Tan, Left
18	04857078	1							COVER, Sliding Door TrackRight
19	0KK36SC3	2						*O0	PLUG, Sliding Door/Liftgate, Mist Gray
20	04675501	1							BUMPER, Sliding Door, Left
21									ASH RECEIVER, Quarter Panel
	0JU27SC3	1						*O0	Mist Gray, Sliding Door
	0JU27SK5	1						*O0	Tan, Sliding Door
-22	06035401	2							NUT, Snap In, .164-18
-23	06503942	4						*C7	NUT/SPRING, Push On, For M3 Stud
-24	04754527	1							BRACKET, Ash Receiver, Rear Door
25	04754527	1							SCREW, (NOT SERVICED)
26	04676808	4							CAP, Track Screw Cover
27	04754528	1							BRACKET, Bolster

AR = use ase required - = Non illustrated part

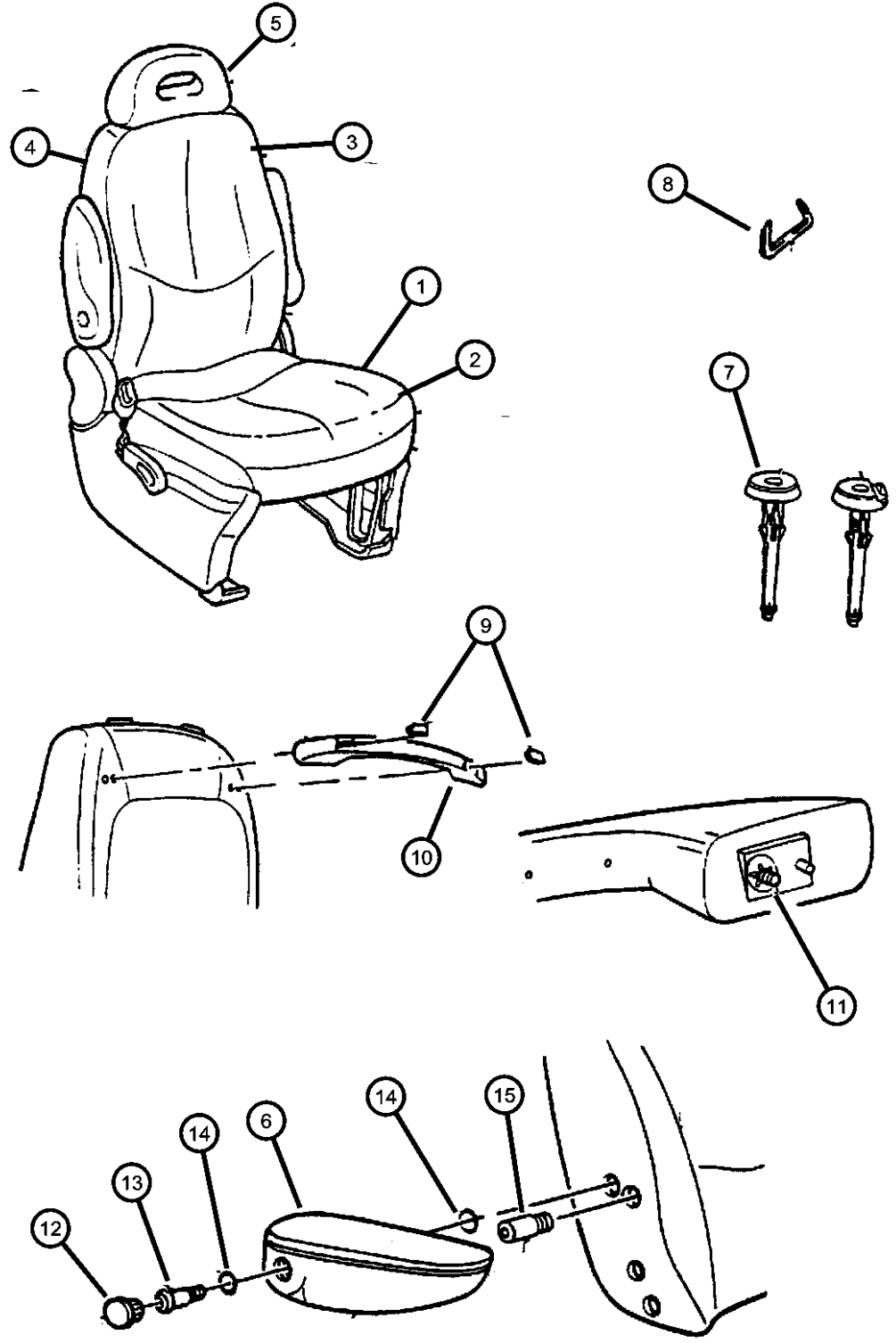
Seat, Front, Trim Code [B7, E7]
Figure IGS-510



ITEM	PART NUMBER	QTY	LINE	SERIES	BODY	ENGINE	TRANS	TRIM	DESCRIPTION
1									CUSHION, Front Seat
	0QD67SC3	1						*B7	Gray, Left
	0QD67SK5	1						*B7	Tan, Left
	0QD82SC3	1						*E7	Mist Gray, Right
	0QD82SK5	1						*E7	Tan, Right
2	0QD82SK5	1							COVER AND PAD, Cushion, Serviced With Cushion Only, (NOT SERVICED), SEAT BACK, Front
3									
	0QD64SC3	1						*B7	Mist Gray, Right
	0QD64SK5	1						*B7	Tan, Right
	0QD65SC3	1						*B7	Mist Gray, Left
	0QD65SK5	1						*B7	Tan, Left
	0QD80SC3	1			C			*E7	Mist Gray, Right
	0QD80SK5	1			C			*E7	Tan, Right
	0QD81SC3	1						*E7	Mist Gray, Left
	0QD81SK5	1						*E7	Tan, Left
		1			C, Y			*E7	Mist Gray, Right
		1			Z			*E7	Mist Gray, Right
		1			C, Y			*E7	Tan, Right
		1			Z			*E7	Tan, Right
4		1							COVER, Seat Back, Serviced With Back Only, (NOT SERVICED), HEADREST, Front
5									
	0QD68SC3	1						*B7	Gray, Right And Left
	0QD68SK5	1						*B7	Tan, Right And Left
	0QD83SC3	1						*E7	Gray, Right And Left
	0QD83SK5	1						*E7	Tan, Right And Left
6									ARMREST, Seat
	0QD70SC3	1						*E7	Gray, Passenger Seat, Inboard
		1						*B7	Gray, Passenger Seat, Inboard
	0QD70SK5	1						*E7	Tan, Passenger Seat, Inboard
		1						*B7	Tan, Passenger Seat, Inboard
	0QD71SC3	1						*E7	Gray, Driver Seat, Inboard
		1						*B7	Gray, Driver Seat, Inboard
	0QD71SK5	1						*E7	Tan, Driver Seat, Inboard
		1						*B7	Tan, Driver Seat, Inboard
7									SLEEVE, Headrest
	04874862	1						*B7	Slave
		1						*E7	Slave
	04874863	1						*E7	Locking
		1						*B7	Locking

AR = use ase required - = Non illustrated part

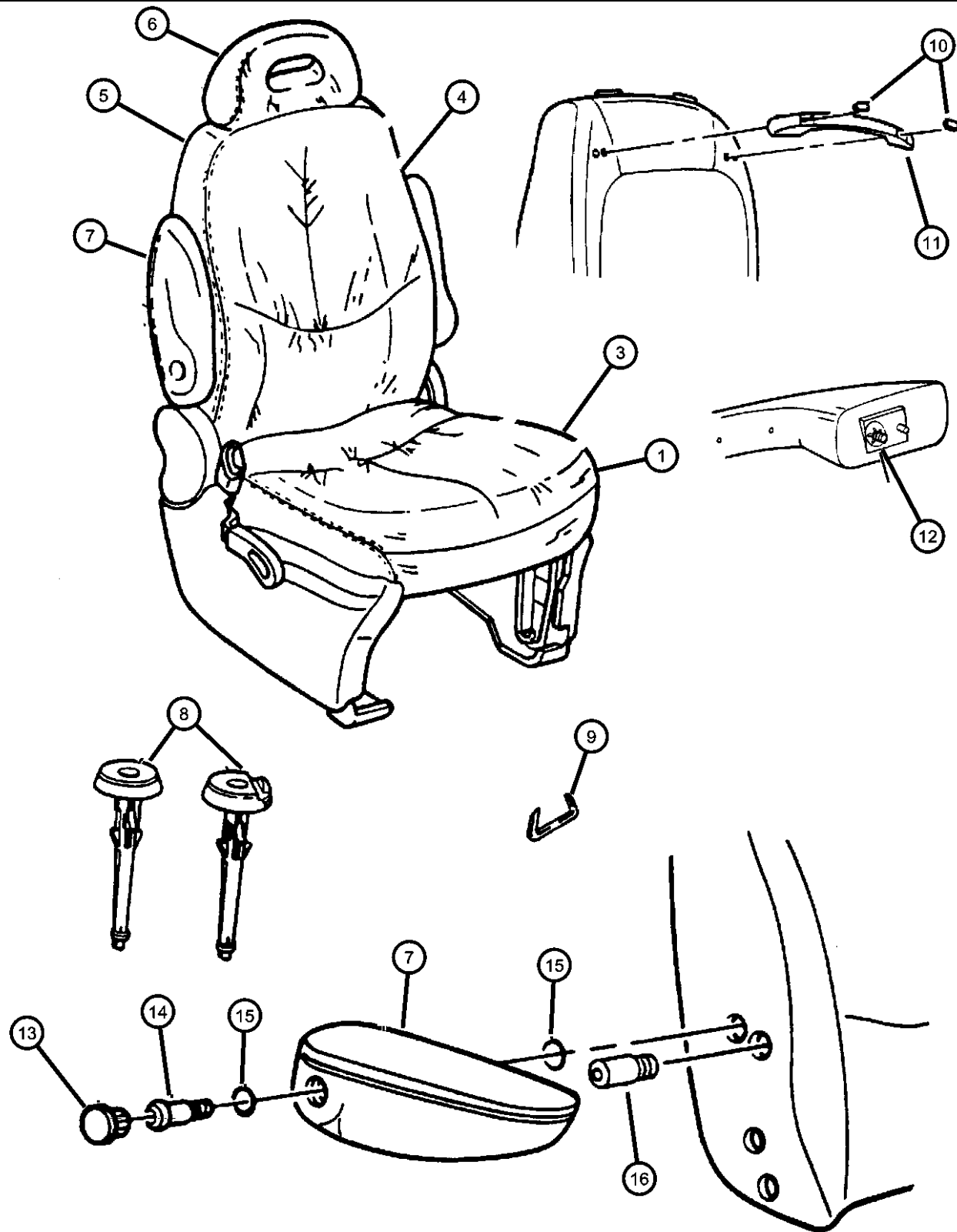
Seat, Front, Trim Code [B7, E7]
Figure IGS-510



ITEM	PART NUMBER	QTY	LINE	SERIES	BODY	ENGINE	TRANS	TRIM	DESCRIPTION
8		1							HOG RING, Seat, (NOT SERVICED),
9		1							CAP, Handle Screw Cover
	0GN53SC3	1						*B7	Mist Gray
		1	C					*E7	Mist Gray
		1	U					*E7	Mist Gray
	0GN53SK5	1						*B7	Tan
		1	C					*E7	Tan
		1	U					*E7	Tan
10		1							HANDLE, Seat Back
	0MV38SC3	1						*B7	Mist Gray
	0MV38SK5	1						*B7	Tan
11	0MV38SK5	1							SCREW, Serviced With Handle, (NOT SERVICED),
12		1							PLUG, Armrest
	0WU50SC3	1						*B7	Mist Gray
		1						*E7	Mist Gray
	0WU50SK5	1						*B7	Tan
		1						*E7	Tan
13		1							SCREW, Pan Head, M8x1.25x41.5
	06503287	1						*E7	
		1						*B7	
14		1							WASHER, Wave, .520x.745
	04882234	1						*E7	Armrest
		1						*B7	
15		1							SCREW, Special Head, M8x1.25x32.5
	06503286	1						*E7	
		1						*B7	

AR = use ase required - = Non illustrated part

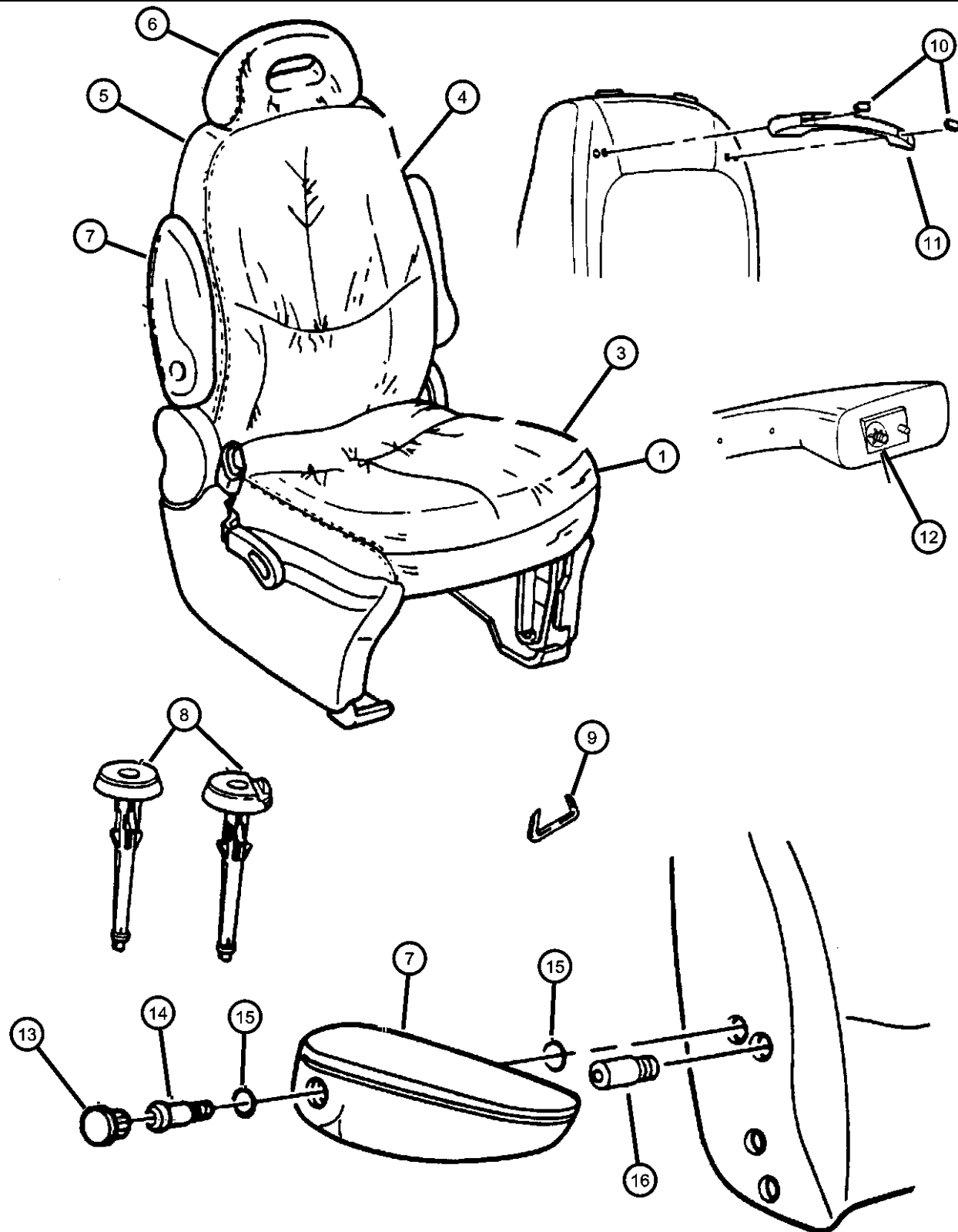
Seat, Front, Trim Code [GL, YL]
Figure IGS-515



ITEM	PART NUMBER	QTY	LINE	SERIES	BODY	ENGINE	TRANS	TRIM	DESCRIPTION	
1	0QD97SC3	1	C					*YL	CUSHION, Front Seat Mist Gray, Right & Left	
		1	C, Y					*GL	Mist Gray, Right & Left	
		1	Z					*GL	Mist Gray, Right & Left	
	0QD97SK5	1	C						*YL	Tan, Right & Left
		1	C, Y						*GL	Tan, Right & Left
		1	Z						*GL	Tan, Right & Left
	0QN001C3	1	Z						*GL	Mist Gray, Heated, Left
		1	C, Y						*YL	Mist Gray, Heated, Left
		1	U, Z						*YL	Mist Gray, Heated, Left
	0QN001K5	1	Z						*GL	Tan, Heated, Left
		1	U, Z						*YL	Tan, Heated, Left
		1	C, Y						*YL	Tan, Heated, Left
-2	04798847	1	C					*YL	REINFORCEMENT, Seat Cushion Frame	
		1	C, Y					*GL		
3	0QE11SC3	1	C					*YL	COVER, Front Seat Cushion Mist Gray, Right & Left	
		1	C, Y					*GL	Mist Gray, Right & Left	
		1	Z					*GL	Mist Gray, Right & Left	
	0QE11SK5	1	C						*YL	Tan, Right & Left
		1	C, Y						*GL	Tan, Right & Left
		1	Z						*GL	Tan, Right & Left
	0QN151C3	1	Z						*GL	Mist Gray, Heated, Left
		1	C, Y						*GL	Mist Gray, Heated, Left
		1	C, Y						*YL	Mist Gray, Heated, Left
	0QN151K5	1	U, Z						*GL	Mist Gray, Heated, Left
		1	U, Z						*YL	Mist Gray, Heated, Left
		1	Z						*GL	Tan, Heated, Left
0QD98SC3	1	C, Y						*GL	Tan, Heated, Left	
	1	C, Y						*YL	Tan, Heated, Left	
	1	U, Z						*GL	Tan, Heated, Left	
0QD98SK5	1	U, Z						*YL	Tan, Heated, Left	
	1	C							SEAT BACK, Front Mist Gray, Right	
	1	C, Y						*GL	Mist Gray, Right	
0QD98SK5	1	Z						*GL	Mist Gray, Right	
	1	C						*YL	Tan, Right	
	1	C, Y						*GL	Tan, Right	
0QD98SK5	1	Z						*GL	Tan, Right	
	1	C, Y						*YL	Tan, Right	
	1	Z						*GL	Tan, Right	

AR = use ase required - = Non illustrated part

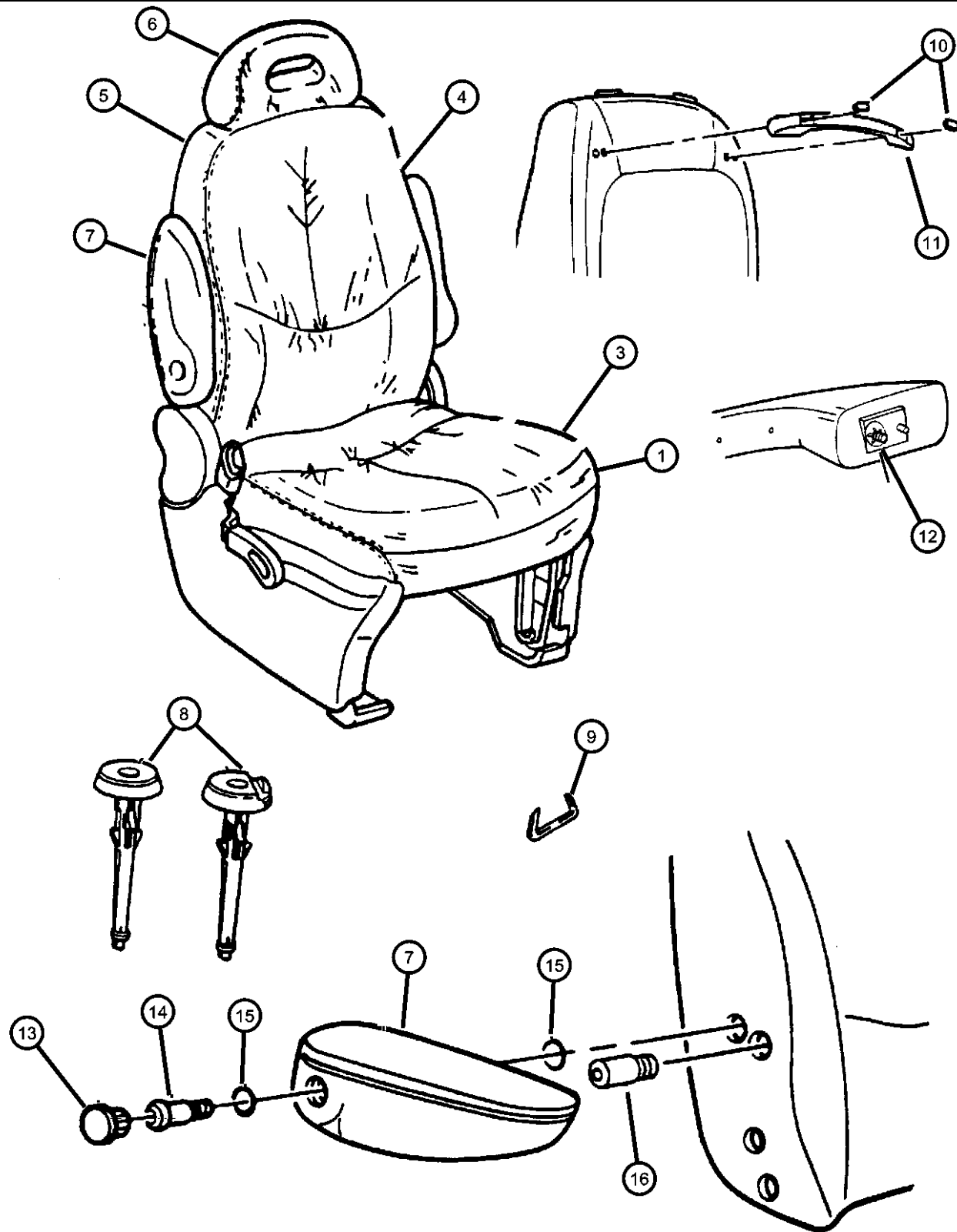
Seat, Front, Trim Code [GL, YL]
Figure IGS-515



ITEM	PART NUMBER	QTY	LINE	SERIES	BODY	ENGINE	TRANS	TRIM	DESCRIPTION
	0QD99SC3	1	C					*GL	Mist Gray, Left
	0QD99SK5	1	C					*GL	Tan, Left
	0QT251C3AA	1	C					*YL	Mist Gray, Heated, Left
		1	C, Y					*GL	Mist Gray, Heated, Left
		1	U, Z					*GL	Mist Gray, Heated, Left
		1	C, Y					*YL	Mist Gray, Heated, Left
		1	U, Z					*GL	Tan, Heated, Left
		1	U, Z					*YL	Mist Gray, Heated, Left
	0QT251K5AA	1	C					*YL	Tan, Heated, Left
		1	C					*GL	Tan, Heated, Left
		1	C, Y					*GL	Tan, Heated, Left
		1	C, Y					*YL	Tan, Heated, Left
		1	U, Z					*YL	Tan, Heated, Left
5									COVER, Front Seat Back
	0QE12SC3	1	C					*YL	Mist Gray, Right & Left
		1	C, Y					*GL	Mist Gray, Right & Left
		1	Z					*GL	Mist Gray, Right & Left
	0QE12SK5	1	C					*YL	Tan, Right & Left
		1	C, Y					*GL	Tan, Right & Left
		1	Z					*GL	Tan, Right & Left
	0QT261C3AA	1	C, Y					*GL	Mist Gray, Heated, Left
		1	C, Y					*YL	Mist Gray, Heated, Left
		1	U, Z					*GL	Mist Gray, Heated, Left
		1	U, Z					*YL	Mist Gray, Heated, Left
	0QT261K5AA	1	C, Y					*GL	Tan, Heated, Left
		1	C, Y					*YL	Tan, Heated, Left
		1	U, Z					*GL	Tan, Heated, Left
		1	U, Z					*YL	Tan, Heated, Left
6									HEADREST, Front
	0QE00SC3	1						*GL	Mist Gray, Right & Left
		1						*YL	Mist Gray, Right & Left
	0QE00SK5	1						*GL	Tan, Right & Left
		1						*YL	Tan, Right & Left
7									ARMREST, Seat
	0QD70SC3	1						*YL	Mist Gray, Passenger Side, Inboard
		1						*GL	Mist Gray, Passenger Side, Inboard
	0QD70SK5	1						*GL	Tan, Passenger Side, Inboard
		1						*YL	Tan, Passenger Side, Inboard
	0QD71SC3	1						*GL	Mist Gray, Driver Side, Inboard

AR = use ase required - = Non illustrated part

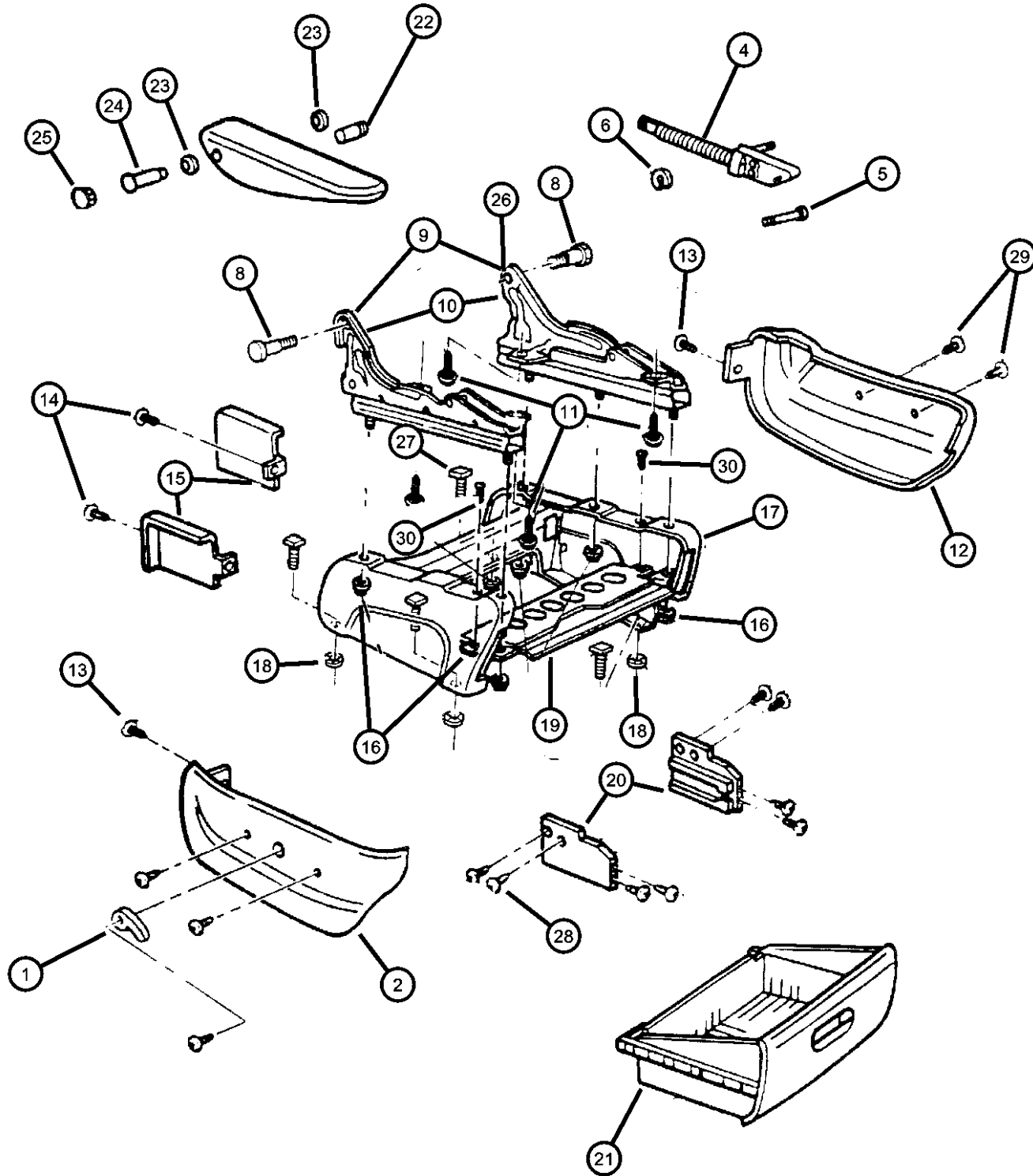
Seat, Front, Trim Code [GL, YL]
Figure IGS-515



ITEM	PART NUMBER	QTY	LINE	SERIES	BODY	ENGINE	TRANS	TRIM	DESCRIPTION
		1						*YL	Mist Gray, Driver Side, Inboard
	0QD71SK5	1						*GL	Tan, Driver Side, Inboard
		1						*YL	Tan, Driver Side, Inboard
8									SLEEVE, Headrest
	04874862	1						*GL	With O-Ring Slave
		1						*YL	With O-Ring Slave
	04874863	1						*GL	With O-Ring Locking
		1						*YL	With O-Ring Locking
9		1							HOG RING, Seat, (NOT SERVICED),
10									CAP, Handle Screw Cover
	0GN53SC3	1	C					*GL	Mist Gray
		1	C					*YL	Mist Gray
	0GN53SK5	1	C					*GL	Tan
		1	C					*YL	Tan
11									HANDLE, Seat Back
	0MV38SC3	1	C					*GL	Mist Gray
		1	C					*YL	Mist Gray
	0MV38SK5	1	C					*GL	Tan
		1	C					*YL	Tan
12		1							SCREW, Serviced With Handle, (NOT SERVICED),
13									PLUG, Armrest
	0WU50SC3	1						*GL	Mist Gray
		1						*YL	Mist Gray
	0WU50SK5	1						*GL	Tan
		1						*YL	Tan
14									SCREW, Pan Head, M8x1.25x41.5
	06503287	1						*GL	Armrest To Bracket
		1						*YL	Armrest To Bracket
15									WASHER, Wave, .520x.745
	04882234	1						*GL	Armrest
		1						*YL	Armrest
16									SCREW, Special Head, M8x1.25x32.5
	06503286	1						*GL	Armrest Stop
		1						*YL	Armrest Stop

AR = use ase required - = Non illustrated part

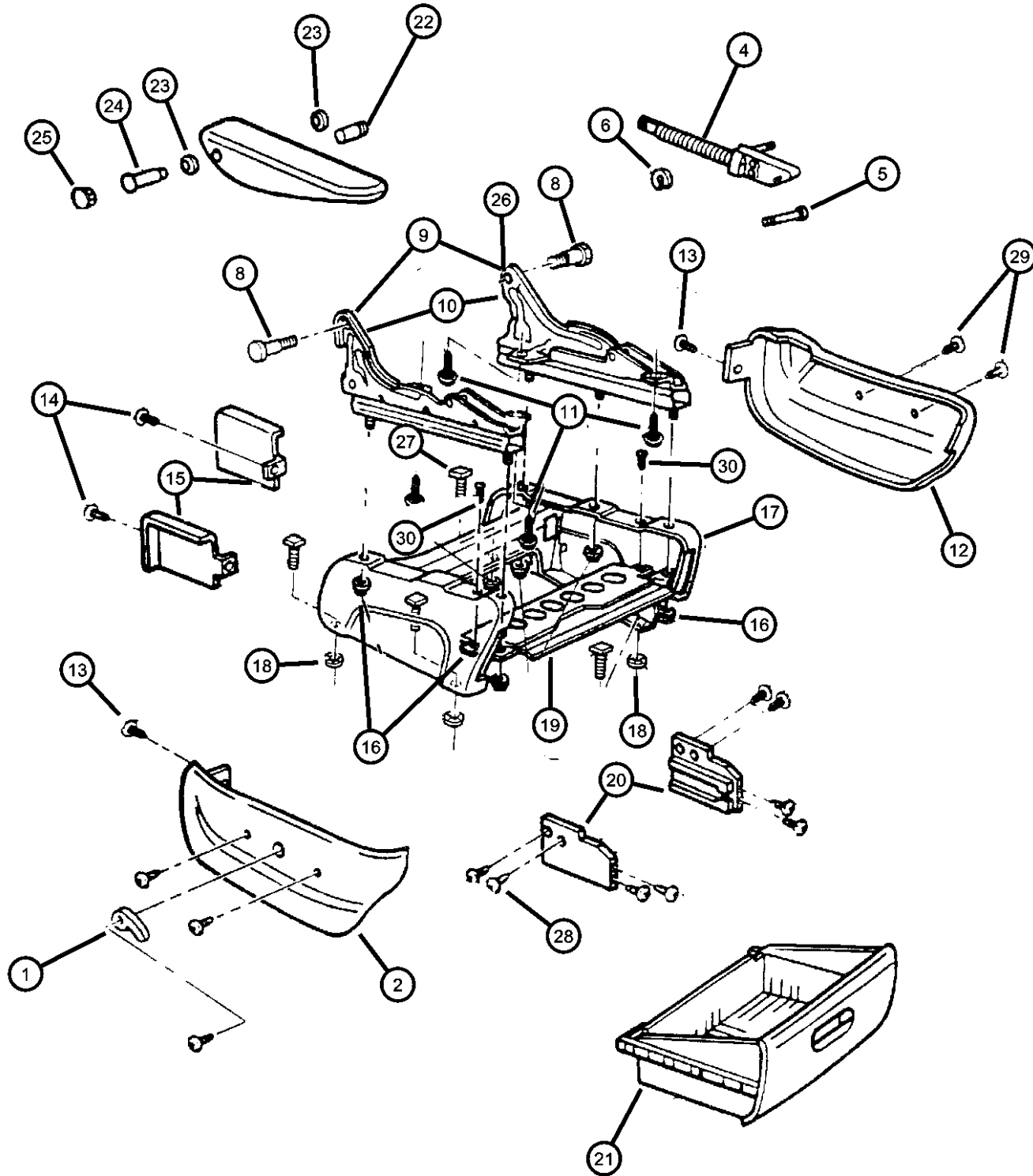
Front Seat - Manual, Adjusters, Side Shields and Attaching Parts
Figure IGS-520



ITEM	PART NUMBER	QTY	LINE	SERIES	BODY	ENGINE	TRANS	TRIM	DESCRIPTION
1									HANDLE, Recliner
	04477472	1	C					*E7	Front Right
		1						*B7	Front Right
		1	C					*GL	Front Right
		1	C					*YL	Front Right
	04477473	1						*E7	Front Left
		1						*B7	Front Left
2									SHIELD SIDE, Seat
	0QB81SC3	1	C					*GL	Mist Gray
		1	C					*YL	Mist Gray
	0QB81SK5	1	C					*GL	Tan
		1	C					*YL	Tan
-3	04685380	1	U, Z					*E7	KNOB, Seat Cushion, Right
4	04685380	1							RECLINER, Front Seat Back, Serviced With Adjuster, (NOT SERVICED)
5	04685380	1							PIN, M8x48, (NOT SERVICED)
6	04685380	1							E RING, 8mm Shaft, (NOT SERVICED)
-7									BUSHING
	04882164	1						*B7	Anti-Rattle Recliner
		1						*E7	Anti-Rattle Recliner
		1						*GL	Anti-Rattle Recliner
		1						*YL	Anti-Rattle Recliner
8		1							BOLT, Shoulder, M10x1.5x34, (NOT SERVICED),
9									ADJUSTER, Manual Seat
	04797190	1						*B7	Right, Inboard
		1	C					*GL	Right, Inboard
		1	C					*YL	Right, Inboard
		1	C, Y					*E7	Right, Inboard
		1	Z					*E7	
	04797191	1						*B7	Left, Inboard
	04797192	1						*B7	Adjuster and Recliner, Right, Outboard
		1	C					*GL	Adjuster and Recliner, Right, Outboard
		1	C					*YL	Adjuster and Recliner, Right, Outboard
		1	C, Y					*E7	Right, Outboard
		1	U, Z					*E7	Right, Outboard
	04797193	1						*B7	Adjuster and Recliner, Left, Outboard
10									ADJUSTER, Power Seat
	04705714	1	U, Z					*YL	With Menory, Front Right

AR = use ase required - = Non illustrated part

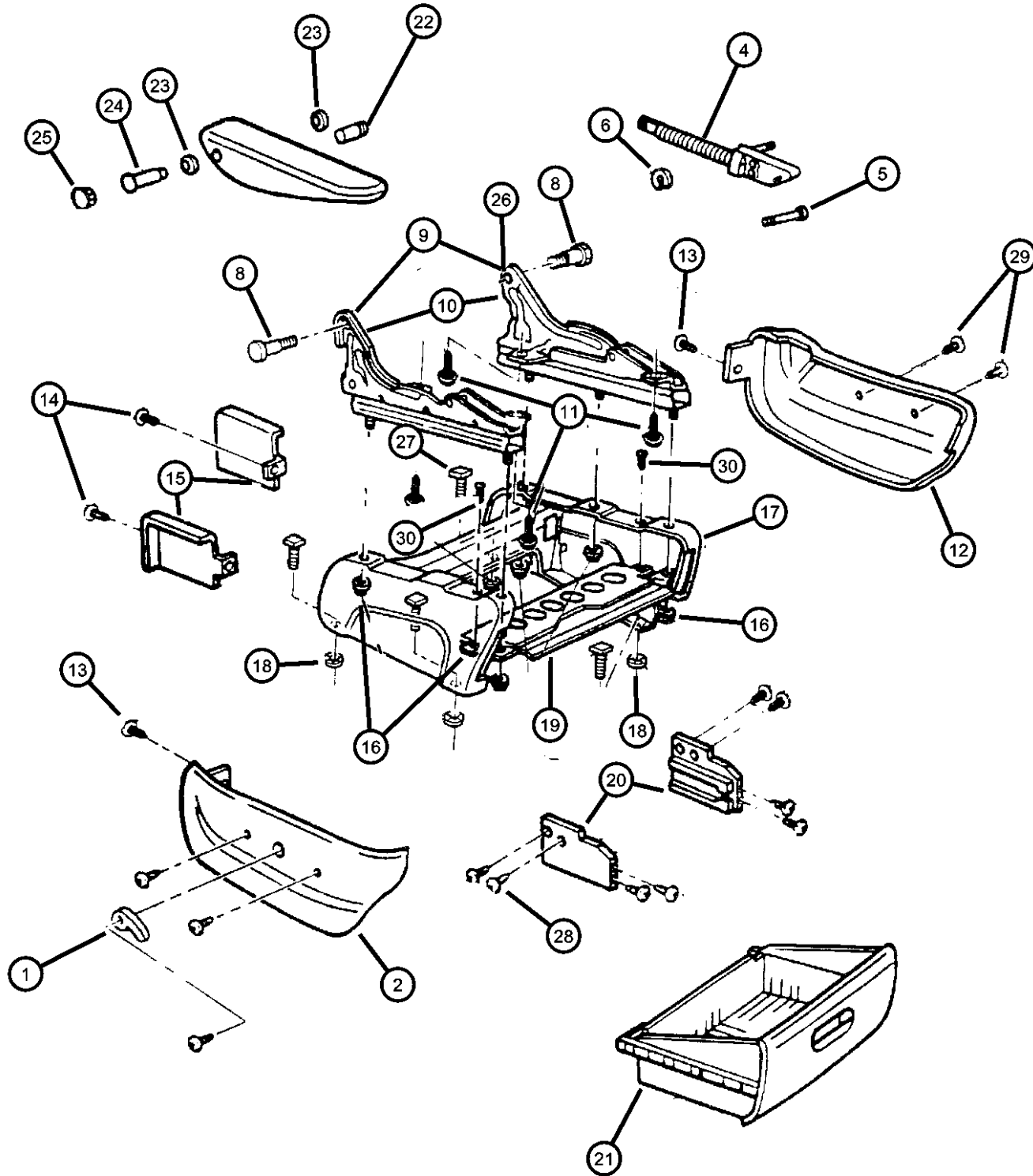
Front Seat - Manual, Adjusters, Side Shields and Attaching Parts
Figure IGS-520



ITEM	PART NUMBER	QTY	LINE	SERIES	BODY	ENGINE	TRANS	TRIM	DESCRIPTION
	04797195	1						*E7	Adjuster and Riser (Power), Front Left
11	04856029	1						*E7	SCREW, Hex Head, M8x20
		1						*B7	
		1	C					*GL	
		1	C					*YL	
12									SHIELD SIDE, Seat
	0MW55SC3	1						*B7	Mist Gray, Inboard, Left
	0MW55SK5	1						*B7	Tan, Inboard, Left
	0MW59SC3	1						*B7	Mist Gray, Outboard, Left
	0MW59SK5	1						*B7	Tan, Outboard, Left
	0MW60SC3	1	C					*E7	Mist Gray, Inboard, Right
		1						*B7	Mist Gray, Inboard, Right
	0MW60SK5	1	C					*E7	Tan, Inboard, Right
		1						*B7	Tan, Inboard, Right
	0MW61SC3	1						*E7	Mist Gray, Outboard w/Power, Left
13	0MW61SC3	1							SCREW, 8-18x3/4, (NOT SERVICED),
14	0MW61SC3	1							SCREW, 8x8-3/4, (NOT SERVICED)
15									COVER, Front Seat Riser
	0MW47SC3	1						*E7	Mist Gray, Inner Left
		1						*B7	Mist Gray, Inner Left
		1	C					*GL	Mist Gray, Inner Left
		1	C					*YL	Mist Gray, Inner Left
	0MW47SK5	1						*E7	Taupe, Inner Left
		1						*B7	Taupe, Inner Left
		1	C					*GL	Taupe, Inner Left
		1	C					*YL	Taupe, Inner Left
	0MW48SC3	1						*E7	Mist Gray, Inner Right
		1						*B7	Mist Gray, Inner Right
		1	C					*GL	Mist Gray, Inner Right
		1	C					*YL	Mist Gray, Inner Right
	0MW48SK5	1						*E7	Taupe, Inner Right
		1						*B7	Taupe, Inner Right
		1	C					*GL	Taupe, Inner Right
		1	C					*YL	Taupe, Inner Right
16									NUT AND WASHER, Hex, M10x1.5
	04856030	1						*B7	
		1	C					*GL	

AR = use ase required - = Non illustrated part

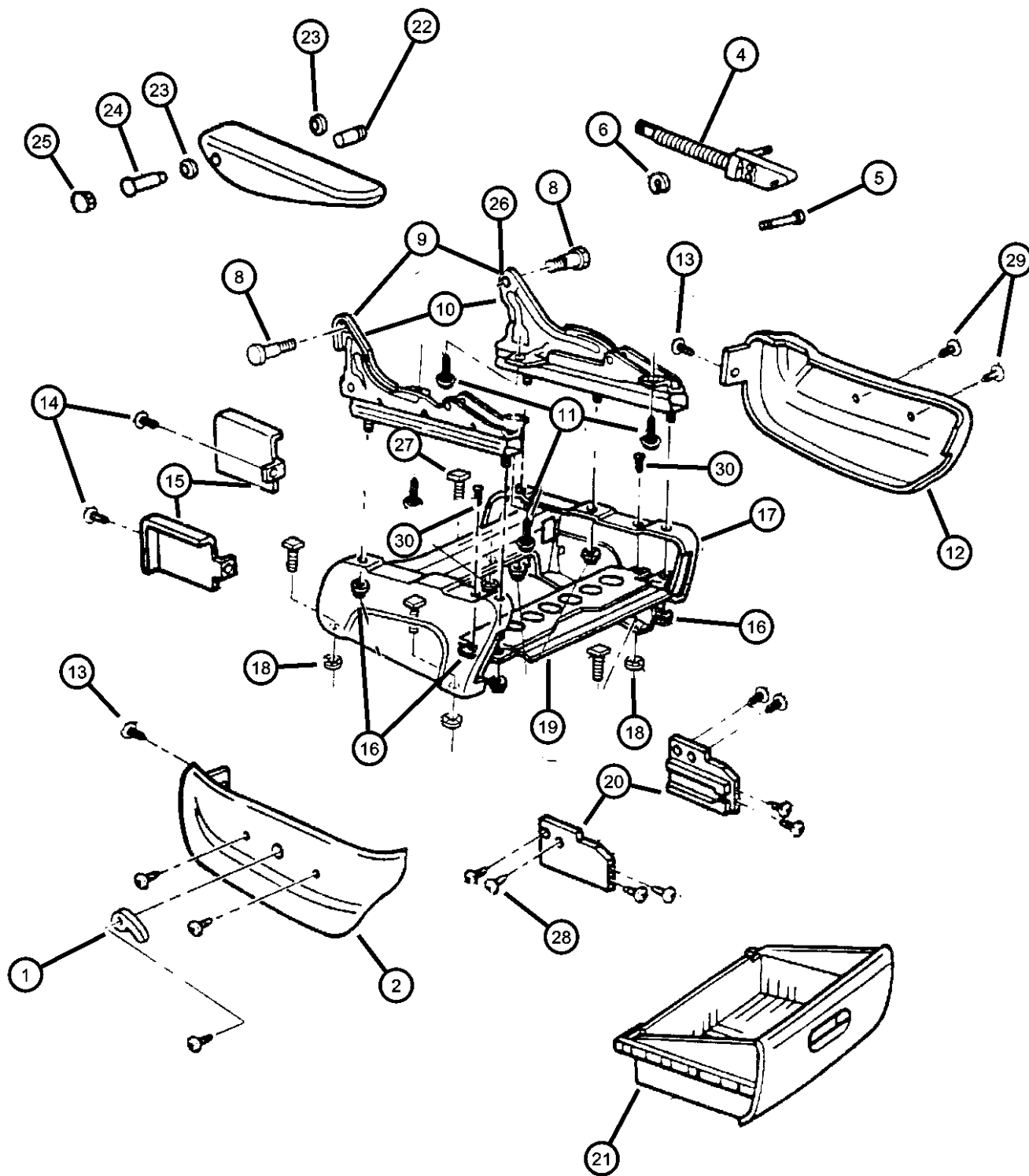
Front Seat - Manual, Adjusters, Side Shields and Attaching Parts
Figure IGS-520



ITEM	PART NUMBER	QTY	LINE	SERIES	BODY	ENGINE	TRANS	TRIM	DESCRIPTION
		1	C					*YL	
		1	C, Y					*E7	
		1	U, Z					*E7	
17									RISER, Seat
	0LC34SC3	1						*B7	Mist Gray, Right & Left
		1						*E7	Mist Gray, Right & Left
		1	C					*GL	Mist Gray, Right & Left
		1	C					*YL	Mist Gray, Right & Left
	0LC34SK5	1						*B7	Taupe, Right & Left
		1						*E7	Taupe, Right & Left
		1	C					*GL	Taupe, Right & Left
		1	C					*YL	Taupe, Right & Left
18									NUT, Hex Flange, M12x1.75
	06501269	1						*E7	Riser To Floor
		1						*B7	
19									CROSSMEMBER, Front Stowage Box
	04797266	1						*B7	
		1	C					*GL	
		1	C					*YL	
		1	C, Y					*E7	
		1	U, Z					*E7	
20									GUIDE, Frong Seat Storage Drawer
	04797226	1						*B7	Left
		1	C					*GL	Left
		1	C					*YL	Left
		1	C, Y					*E7	Left
		1	U, Z					*E7	Left
	04797227	1						*B7	Right
		1	C					*GL	Right
		1	C					*YL	Right
		1	C, Y					*E7	Right
		1	U, Z					*E7	Right
21									DRAWER, Front Seat Storage
	0MW58SC3	1						*B7	Mist Gray
		1	C					*YL	Mist Gray
	0MW58SK5	1						*B7	Tan
		1	C					*GL	Tan
		1	C					*YL	Tan
		1	C, Y					*E7	Mist Gray

AR = use ase required - = Non illustrated part

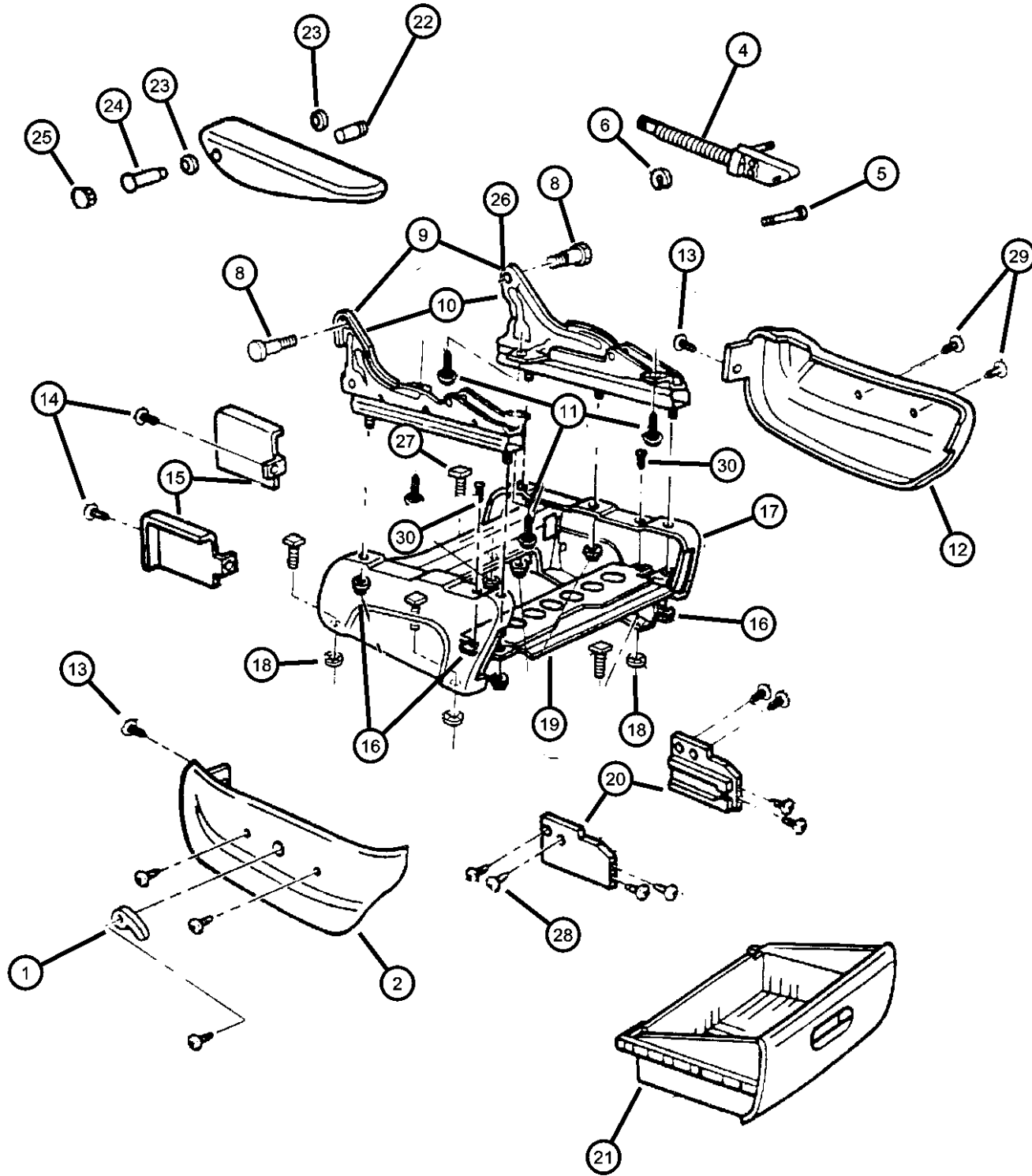
Front Seat - Manual, Adjusters, Side Shields and Attaching Parts
Figure IGS-520



ITEM	PART NUMBER	QTY	LINE	SERIES	BODY	ENGINE	TRANS	TRIM	DESCRIPTION
		1	U, Z					*E7	Mist Gray
		1	C, Y					*E7	Tan
		1	U, Z					*E7	Tan
22									SCREW, Special Head, M8x1.25x32.5
	06503286	1						*E7	Armrest
		1						*GL	Armrest
		1						*YL	Armrest
		1						*B7	Armrest
23									WASHER, Wave, .520x.745
	04882234	1						*E7	Armrest
		1						*GL	Armrest
		1						*YL	Armrest
		1						*B7	Armrest
24									SCREW, Pan Head, M8x1.25x41.5
	06503287	1						*E7	Armrest To Bracket
		1						*GL	Armrest To Bracket
		1						*YL	Armrest To Bracket
		1						*B7	Armrest To Bracket
25									PLUG, Armrest
	0WU50SC3	1						*B7	Mist Gray
		1						*E7	Mist Gray
		1						*GL	Mist Gray
		1						*YL	Mist Gray
	0WU50SK5	1						*B7	Taupe
		1						*E7	Taupe
		1						*GL	Taupe
		1						*YL	Taupe
26									NUT, Hex Flange, M8x1.25
	04856027	1						*E7	
		1						*B7	
		1	C					*GL	
		1	C					*YL	
27									BOLT, Square Head, M12x40
	04856032	1						*E7	
		1						*B7	
		1	C					*GL	
		1	C					*YL	
28									BOLT, Seat
	04856025	1						*E7	
		1						*B7	

AR = use ase required - = Non illustrated part

Front Seat - Manual, Adjusters, Side Shields and Attaching Parts
Figure IGS-520

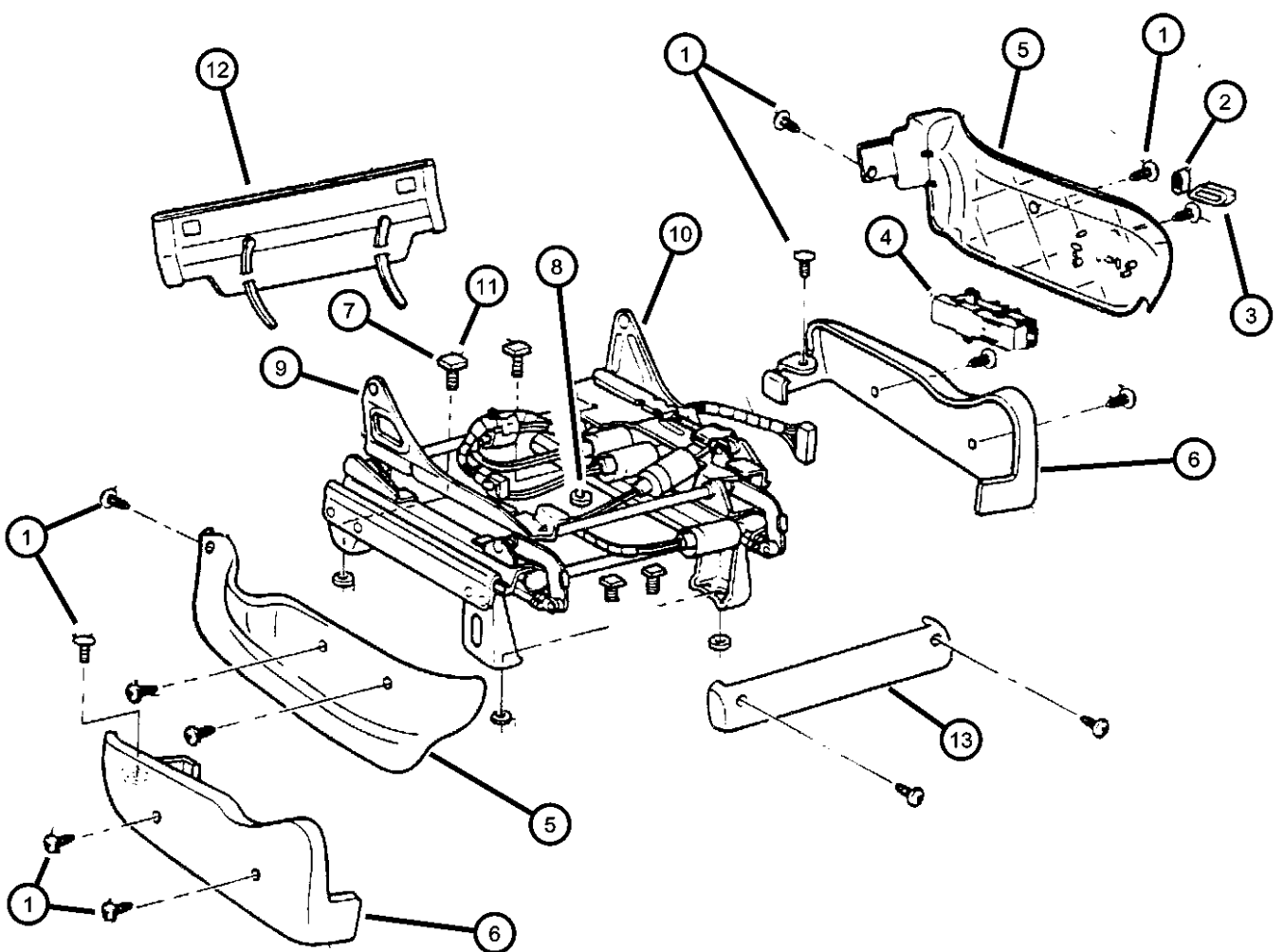


ITEM	PART NUMBER	QTY	LINE	SERIES	BODY	ENGINE	TRANS	TRIM	DESCRIPTION
		1	C					*GL	
		1	C					*YL	
29									CLIP, Seat
	0QB83SC3	1						*B7	Mist Gray, Shield Attaching
		1						*E7	Mist Gray, Shield Attaching
		1						*GL	Mist Gray, Shield Attaching
		1						*YL	Mist Gray, Shield Attaching
	0QB83SK5	1						*B7	Taupe, Shield Attaching
		1						*E7	Taupe, Shield Attaching
		1						*GL	Taupe, Shield Attaching
		1						*YL	Taupe, Shield Attaching
30		1							SCREW, Crossmember Attaching, (NOT SERVICED),
-31									HANDLE, Seat Adjuster
	04797243	1						*B7	
		1	C					*GL	
		1	C					*YL	
		1	C, Y					*E7	

AR = use ase required - = Non illustrated part

Front Seat - Left, Adjusters, Side Shields and Attaching Parts
Figure IGS-525

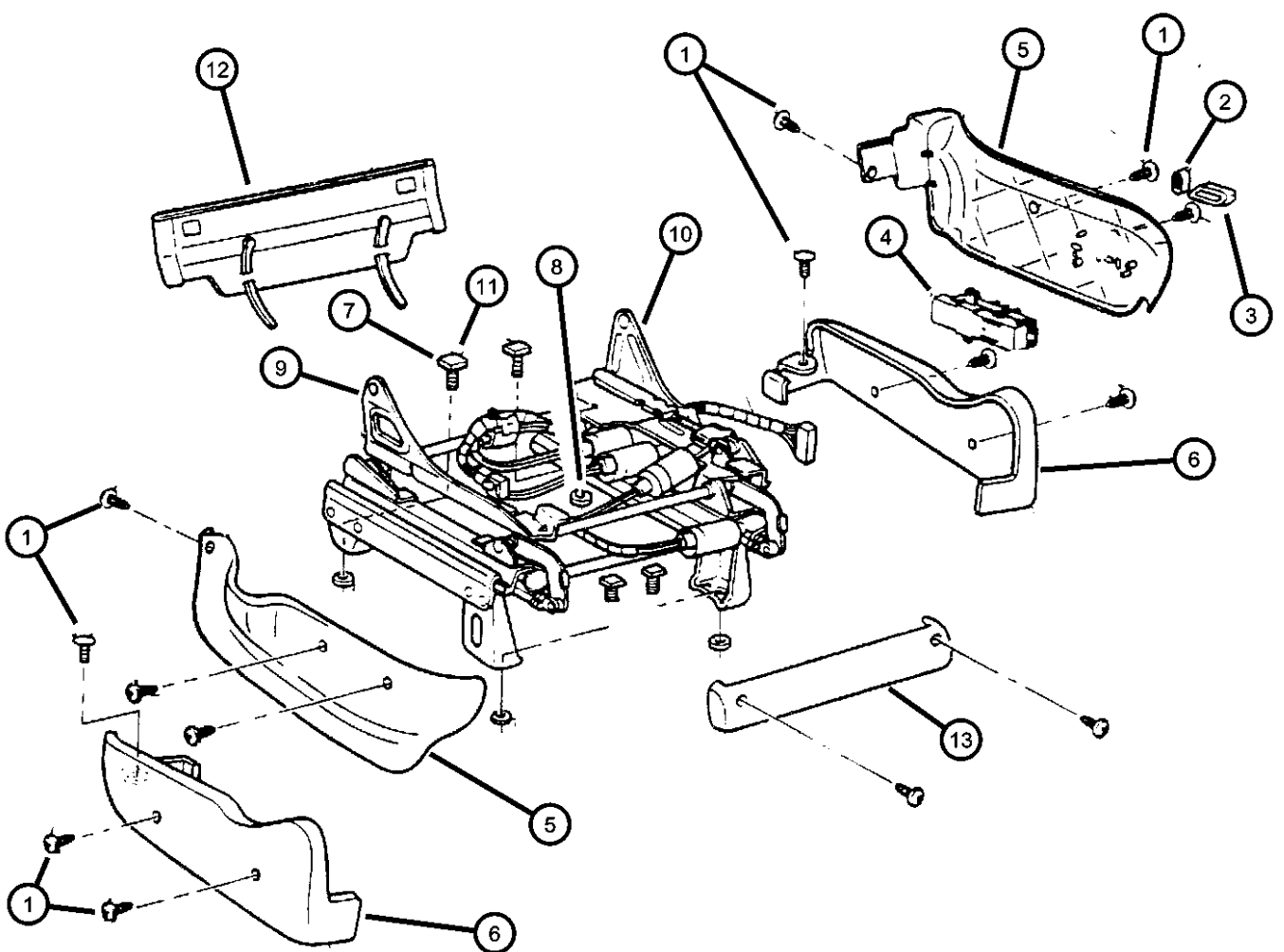
ITEM	PART NUMBER	QTY	LINE	SERIES	BODY	ENGINE	TRANS	TRIM	DESCRIPTION		
1	0QB83SC3	1						*B7	Mist Gray, Shield Attaching		
		1						*E7	Mist Gray, Shield Attaching		
		1						*GL	Mist Gray, Shield Attaching		
		1						*YL	Mist Gray, Shield Attaching		
	0QB83SK5	1							*B7	Taupe, Shield Attaching	
		1							*E7	Taupe, Shield Attaching	
		1							*GL	Taupe, Shield Attaching	
		1							*YL	Taupe, Shield Attaching	
	2	04685381	1						*E7	Left	
			1	U, Z					*E7	Right	
		04685382	1	U, Z					*E7	Right	
			1						*E7	KNOB	
04685379		1						*E7	KNOB		
		1	C, Y					*GL	SWITCH, Seat		
5		04883609AA	1	C, Y					*GL	SWITCH, Seat	
			1							SHIELD, Seat Cushion, Upper	
			1						*B7	Mist Gray, Left, Inboard	
			1						*B7	Tan, Left, Inboard	
			1						*B7	Mist Gray, Left, Outboard	
			1						*B7	Tan, Left, Outboard	
	1		C					*E7	Mist Gray, Right, Inboard		
	1							*B7	Mist Gray, Right, Inboard		
	1		C					*E7	Tan, Right, Inboard		
	1							*B7	Tan, Right, Inboard		
	1							*E7	Mist Gray, Outboard w/Power, Left		
	1							*E7	Tan, Outboard w/Power, Left		
6	04883609AA	1	C					*GL	SHIELD SIDE, Seat		
		1	Z					*YL	Mist Gray, Inboard Has Controls For Left Heated Seat, Left Seat		
		1	C, Y					*GL	Mist Gray, Inboard Has Controls For Left Heated Seat, Left Seat		
		1	C, Y					*GL	Mist Gray, Inboard Has Controls For Left Heated Seat, Left Seat		
		1	C					*YL	Taupe, Inboard Has Control For Left Heated Seat, Left Seat		
		1	Z					*GL	Taupe, Inboard Has Control For Left Heated Seat, Left Seat		
		1	C, Y					*GL	Taupe, Inboard Has Control For Left Heated Seat, Left Seat		
		1							SCREW, Tress Head, #8x.5		
		7	04856025	1						*E7	
				1						*B7	
				1	C					*GL	
				1	C					*YL	
8	04856025	1							NUT, Hex Flange, M12x1.75		
		1							NUT, Hex Flange, M12x1.75		



AR = use ase required - = Non illustrated part

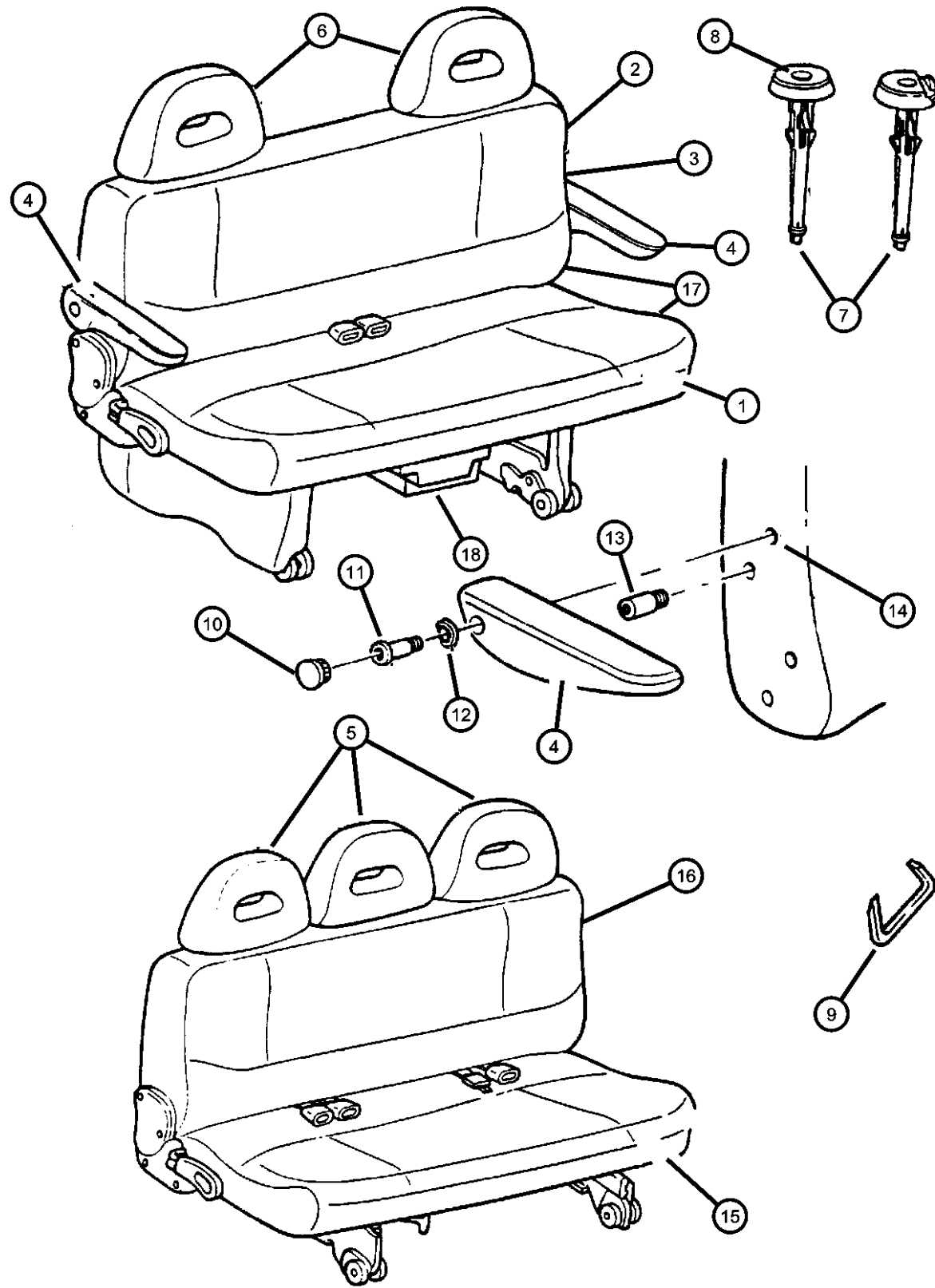
Front Seat - Left, Adjusters, Side Shields and Attaching Parts
Figure IGS-525

ITEM	PART NUMBER	QTY	LINE	SERIES	BODY	ENGINE	TRANS	TRIM	DESCRIPTION
	06501269	1						*E7	
		1						*B7	
9									ADJUSTER, Manual Seat
	04797190	1						*B7	Right, Inboard
		1	C					*GL	Right, Inboard
		1	C					*YL	Right, Inboard
		1	C, Y					*E7	Right, Inboard
		1	U, Z					*E7	Right, Inboard
	04797191	1						*B7	Left, Inboard
	04797192	1						*B7	Right, Outboard
		1	C					*GL	Right, Outboard
		1	C					*YL	Right, Outboard
		1	C, Y					*E7	Right, Outboard
		1	U, Z					*E7	Right, Outboard
	04797193	1						*B7	Left, Outboard
10									ADJUSTER, Power Seat
	04705714	1	U, Z					*YL	With Memory, Front Right
	04797195	1						*E7	, Front Left
11									SCREW, Tress Head, #8x.5
	04856025	1						*E7	
		1						*B7	
		1	C					*GL	
		1	C					*YL	
12		1							COVER, Seat Recliner, (NOT SERVICED)
13		1							SHIELD, Seat Cushion, Front, (NOT SERVICED)



AR = use ase required - = Non illustrated part

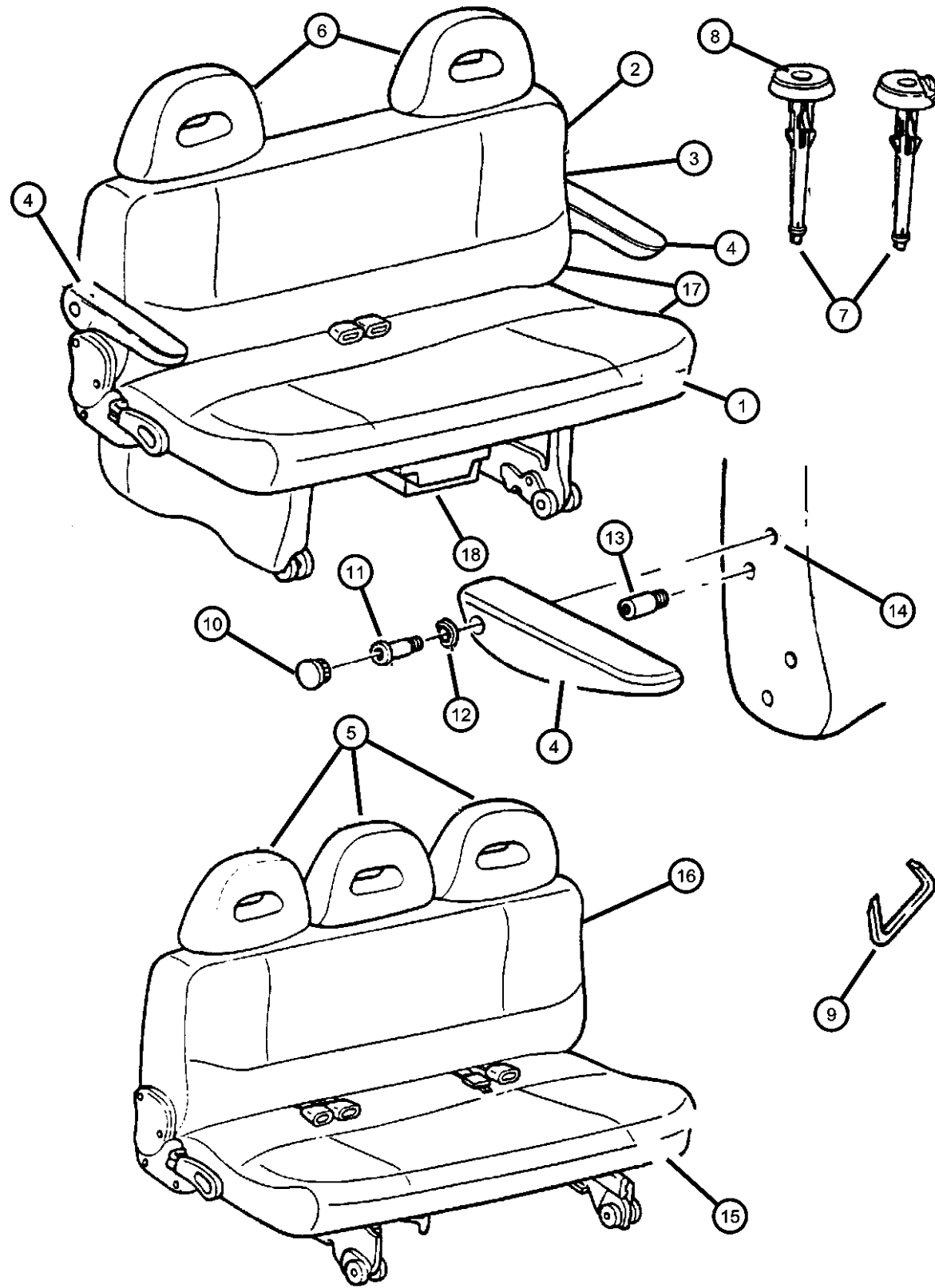
Seat, Rear, Trim Code B7
Figure IGS-610



ITEM	PART NUMBER	QTY	LINE	SERIES	BODY	ENGINE	TRANS	TRIM	DESCRIPTION
1	0QD75SC3	1						*B7	CUSHION, Rear Seat, Two Passenger Mist Gray
	0QD75SK5	1						*B7	Tan
2	0QD74SC3	1						*B7	SEAT BACK, Rear, 2 Passenger Mist Gray
	0QD74SK5	1						*B7	Tan
3	0QD77SC3	1						*B7	SEAT BACK, Rear, W/Child Seat Mist Gray
	0QD77SK5	1						*B7	Tan
4	0QD70SC3	1						*B7	ARMREST, Seat Mist Gray, Right, Outer
	0QD70SK5	1						*B7	Tan, Right, Outer
	0QD71SC3	1						*B7	Mist Gray, Left, Outer
	0QD71SK5	1						*B7	Tan, Left, Outer
5	0QD76SC3	1						*B7	HEADREST, Rear Mist Gray
	0QD76SK5	1						*B7	Tan
6	0QE10SC3	1						*B7	HEADREST, Child Seat Mist Gray
	0QE10SK5	1						*B7	Tan
7	04874862	1						*B7	SLEEVE, Headrest With O-Ring Slave
	04874863	1						*B7	With O-Ring Locking
8	0PA16SC3	1						*B7	PLUG, Headrest Sleeve Mist Gray
	0PA16SK5	1						*B7	Tan
9	0PA16SK5	1							HOG RING, Seat, (NOT SERVICED), PLUG, Armrest
10	0WU50SC3	1						*B7	Mist Gray
	0WU50SK5	1						*B7	Tan
11	06503287	1						*B7	SCREW, Pan Head, M8x1.25x41.5
12	04882234	1						*B7	WASHER, Wave, .520x.745
13	06503286	1						*B7	SCREW, Special Head, M8x1.25x32.5
14	06503286	1							SUPPORT, Armrest, (NOT SERVICED)
15	0QD79SC3	1						*B7	CUSHION, Rear Seat, Three Passenger Mist Gray
	0QD79SK5	1						*B7	Tan
16	0QD78SC3	1						*B7	SEAT BACK, Rear, 3 Passenger Mist Gray

AR = use ase required - = Non illustrated part

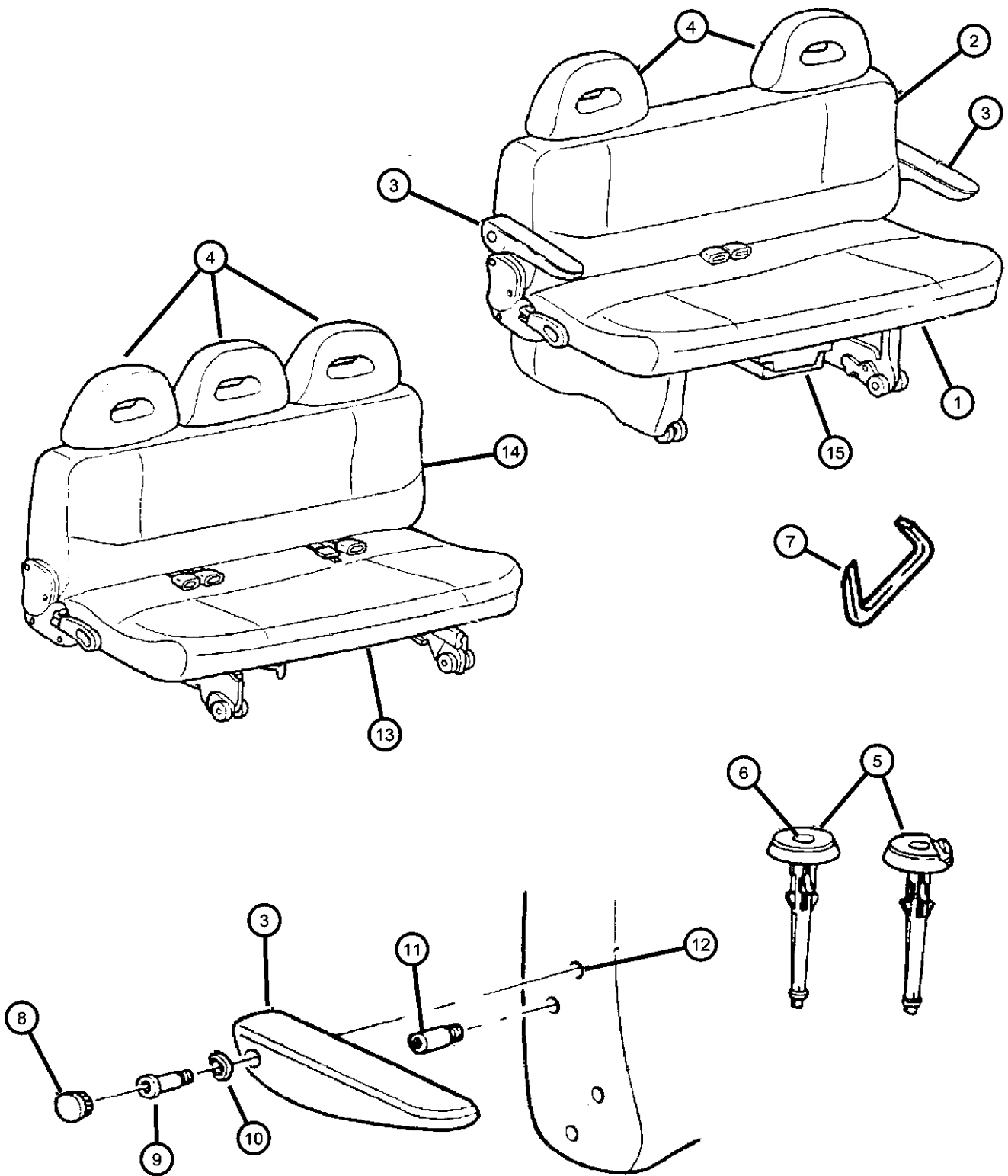
Seat, Rear, Trim Code B7
Figure IGS-610



ITEM	PART NUMBER	QTY	LINE	SERIES	BODY	ENGINE	TRANS	TRIM	DESCRIPTION
17	0QD78SK5	1						*B7 Tan	SEAT COMPLETE, Rear, Two Passenger
	0JN97SC3	1						*B7 Mist Gray	
	0JN97SK5	1						*B7 Tan	
18	04797228	1						*B7	CUP HOLDER, Rear Seat

AR = use ase required - = Non illustrated part

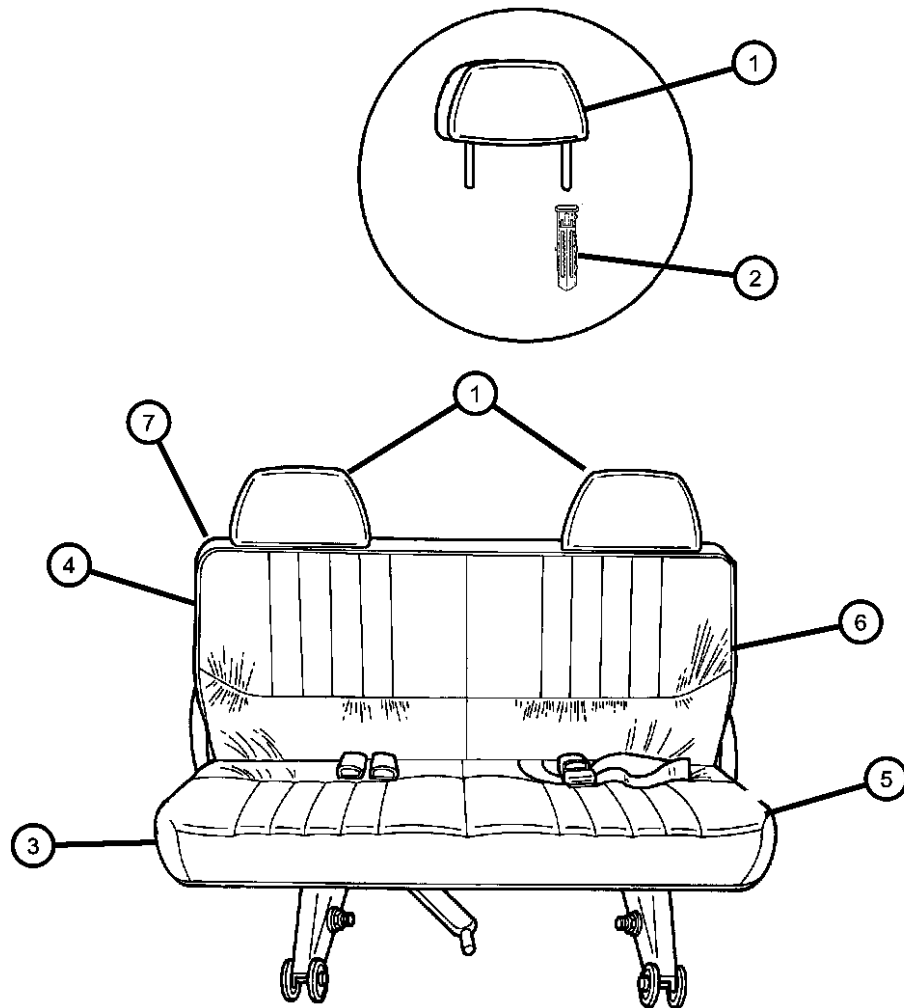
Seat, Rear, Trim Code E7
Figure IGS-615



ITEM	PART NUMBER	QTY	LINE	SERIES	BODY	ENGINE	TRANS	TRIM	DESCRIPTION
1	0QD88SC3	1						*E7	CUSHION, Rear Seat, Two Passenger Mist Gray
	0QD88SK5	1						*E7	Tan
2	0QD85SC3	1						*E7	SEAT BACK, Rear, 2 Passenger Mist Gray
	0QD85SK5	1						*E7	Tan
3	0QD70SK5	1						*E7	ARMREST, Seat, Tan, Right, Outer
4	0QD89SC3	1						*E7	HEADREST, Rear Mist Gray
	0QD89SK5	1						*E7	Tan
		1	Z		P			*E7	Mist Gray
		1	Z		P			*E7	Tan
5	04874862	1						*E7	SLEEVE, Headrest w/O-Ring, Slave, Right
	04874863	1						*E7	w/O-Ring, Locking, Left
6	0PA16SC3	1						*E7	PLUG, Headrest Sleeve, Mist Gray
7	0PA16SC3	1						*E7	HOG RING, Seat, (NOT SERVICED) PLUG, Armrest
8	0WU50SC3	1						*E7	Mist Gray
	0WU50SK5	1						*E7	Tan
9	06503287	1						*E7	SCREW, Pan Head, M8x1.25x41.5
10	04882234	1						*E7	WASHER, Wave, .520x.745
11	06503286	1						*E7	SCREW, Special Head, M8x1.25x32.5 Armrest, Stop SUPPORT, Armrest, (NOT SERVICED)
12	06503286	1						*E7	SCREW, Special Head, M8x1.25x32.5 Armrest, Stop SUPPORT, Armrest, (NOT SERVICED)
13	0QD96SC3	1						*E7	CUSHION, Rear Seat, Three Passenger Mist Gray
	0QD96SK5	1						*E7	Tan
14	0QD93SC3	1						*E7	SEAT BACK, Rear, 3 Passenger Mist Gray
	0QD93SK5	1						*E7	Tan
15	04797228	1						*E7	CUP HOLDER, Rear Seat

AR = use ase required - = Non illustrated part

Seat, Rear, Trim Code GL, YI - 3 Passenger
Figure IGS-620



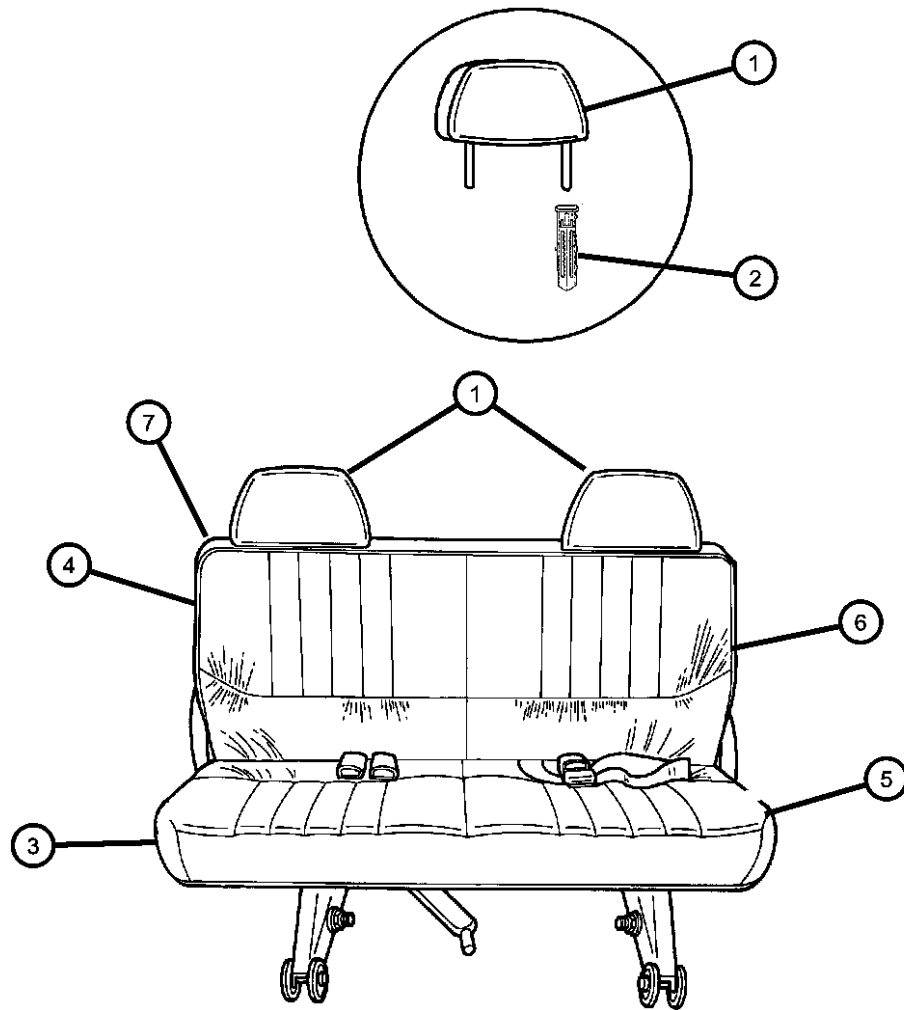
ITEM	PART NUMBER	QTY	LINE	SERIES	BODY	ENGINE	TRANS	TRIM	DESCRIPTION
1	0QE08SC3	1						*GL	HEADREST, Rear Mist Gray
		1						*YL	Mist Gray
2	04874862	1						*GL	SLEEVE, Headrest With/O-Ring Slave
		1						*YL	With/O-Ring Slave
	04874863	1						*YL	With O-Ring Locking
3	0QE05SC3	1						*GL	CUSHION, Rear Seat, Three Passenger Mist Gray
		1						*YL	Mist Gray
	0QE05SK5	1						*GL	Tan
		1						*YL	Tan
		1	Z	P				*GL	Mist Gray
		1	Z	S				*YL	Mist Gray
		1	Z	P				*GL	Tan
		1	Z	S				*YL	Tan
4	0QE04SC3	1						*GL	SEAT BACK, Rear, 3 Passenger Mist Gray
		1						*YL	Mist Gray
	0QE04SK5	1						*GL	Tan
		1						*YL	Tan
		1	Z	P				*GL	Mist Gray
		1	Z	S				*YL	Mist Gray
		1	Z	P				*GL	Tan
		1	Z	S				*YL	Tan
5	0QE16SC3	1						*GL	COVER, Rear Seat Cushion, Three Passenger Mist Gray
		1						*YL	Mist Gray
	0QE16SK5	1						*GL	Tan
6	0QE17SC3	1						*GL	COVER, Rear Seat Back Mist Gray
		1						*YL	Mist Gray
	0QE17SK5	1						*GL	Tan
		1						*YL	Tan
7	0QG97SC3	1						*GL	PANEL, Seat Back, Three Passenger Mist Gray
		1						*YL	Mist Gray
	0QG97SK5	1						*GL	Tan
		1						*YL	Tan

AR = use ase required - = Non illustrated part

Seat, Rear, Trim Code GL, YI - 3 Passenger
Figure IGS-620

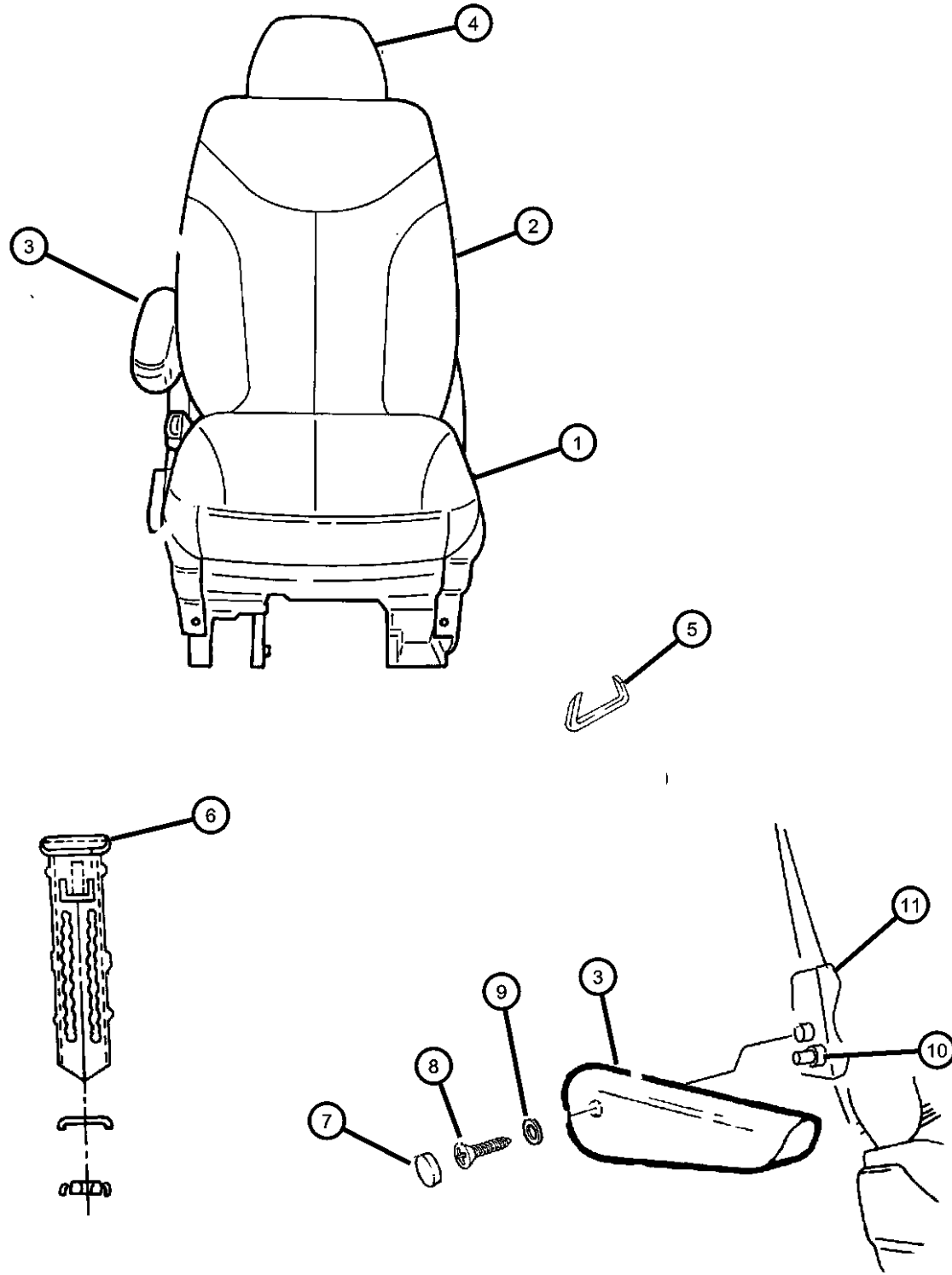
ITEM	PART NUMBER	QTY	LINE	SERIES	BODY	ENGINE	TRANS	TRIM	DESCRIPTION
------	-------------	-----	------	--------	------	--------	-------	------	-------------

		1	Z	S				*YL	Mist Gray
		1	Z	S				*YL	Tan



AR = use ase required - = Non illustrated part

Seat, Rear, Trim Code B7, E7 - Quad
Figure IGS-625

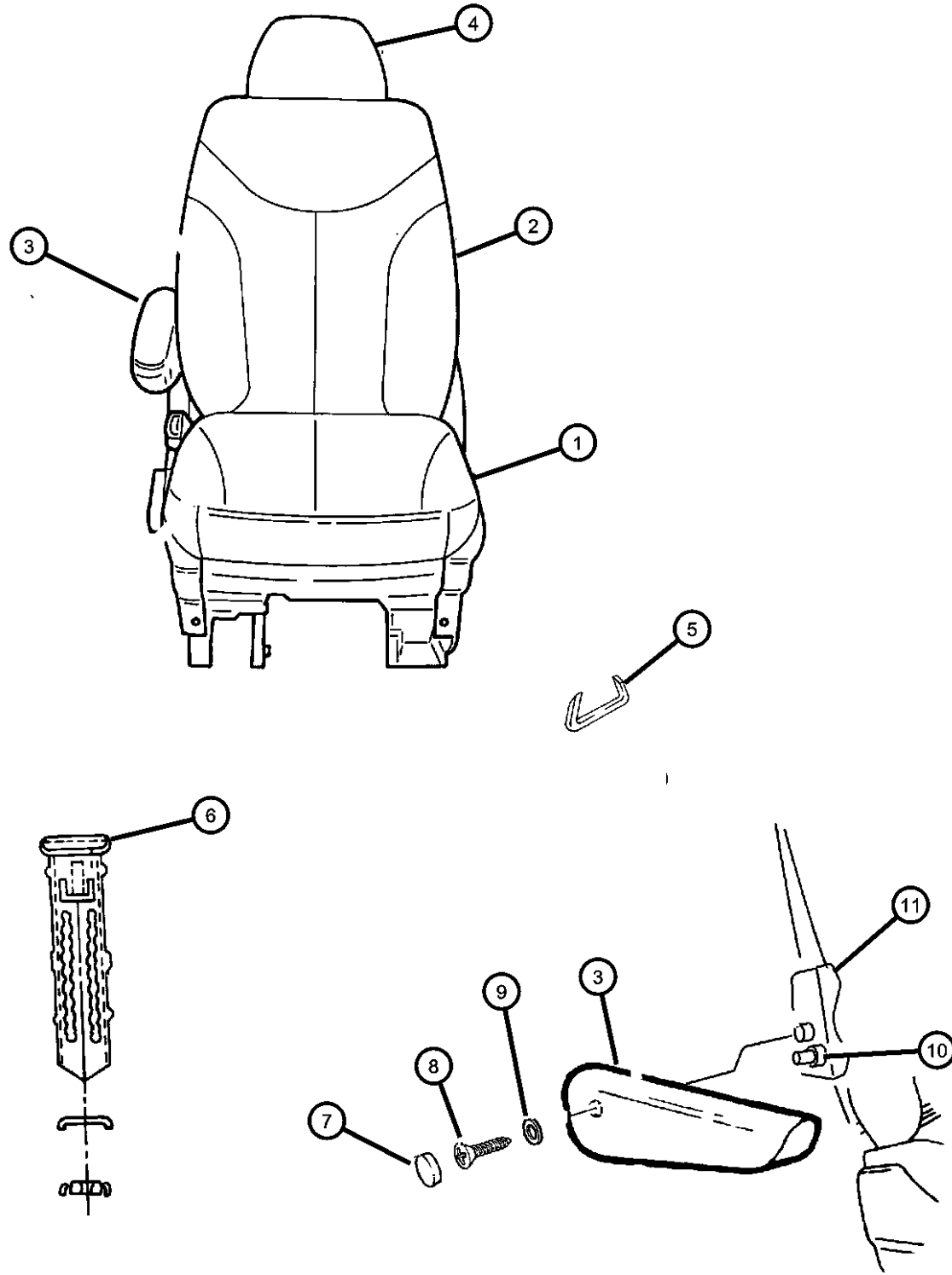


ITEM	PART NUMBER	QTY	LINE	SERIES	BODY	ENGINE	TRANS	TRIM	DESCRIPTION
1									CUSHION, Quad Seat
	0QD86SC3	1						*E7	Mist Gray, Right
	0QD86SK5	1						*E7	Tan, Right
	0QD87SC3	1						*E7	Mist Gray, Left
	0QD87SK5	1						*E7	Tan, Left
	0QD72SC3	1						*B7	Mist Gray, Right
	0QD72SK5	1						*B7	Tan, Right
	0QD73SC3	1						*B7	Mist Gray, Left
	0QD73SK5	1						*B7	Tan, Left
2									SEAT BACK, Rear Quad
	0QD69SC3	1						*B7	Mist Gray, Right & Left
	0QD69SK5	1						*B7	Tan, Right & Left
	0QD84SC3	1						*E7	Mist Gray, Right & Left
	0QD84SK5	1						*E7	Tan, Right & Left
3									ARMREST, Seat
	0QD70SC3	1						*E7	Mist Gray, Right Inner
		1						*B7	Mist Gray, Right Inner
		1						*B7	Mist Gray, Left, Outer
		1						*E7	Mist Gray, Left, Outer
	0QD70SK5	1						*E7	Tan, Right Inner
		1						*B7	Tan, Right Inner
		1						*B7	Tan, Left, Outer
		1						*E7	Tan, Left, Outer
	0QD71SC3	1						*B7	Mist Gray, Right, Outer
		1						*E7	Mist Gray, Right, Outer
		1						*E7	Mist Gray, Left Inner
		1						*B7	Mist Gray, Left, Inner
	0QD71SK5	1						*B7	Tan, Right, Outer
		1						*E7	Tan, Right, Outer
		1						*E7	Tan, Left Inner
		1						*B7	Tan, Left, Inner
4									HEADREST, Front
	0QD68SC3	1						*B7	Mist Gray
	0QD68SK5	1						*B7	Tan
	0QD83SC3	1						*E7	Mist Gray
	0QD83SK5	1						*E7	Tan
5	0QD83SK5	1							HOG RING, Seat, (NOT SERVICED),
6									SLEEVE, Headrest
	04874862	1						*E7	Slave
		1						*B7	Slave

AR = use ase required - = Non illustrated part

Seat, Rear, Trim Code B7, E7 - Quad
Figure IGS-625

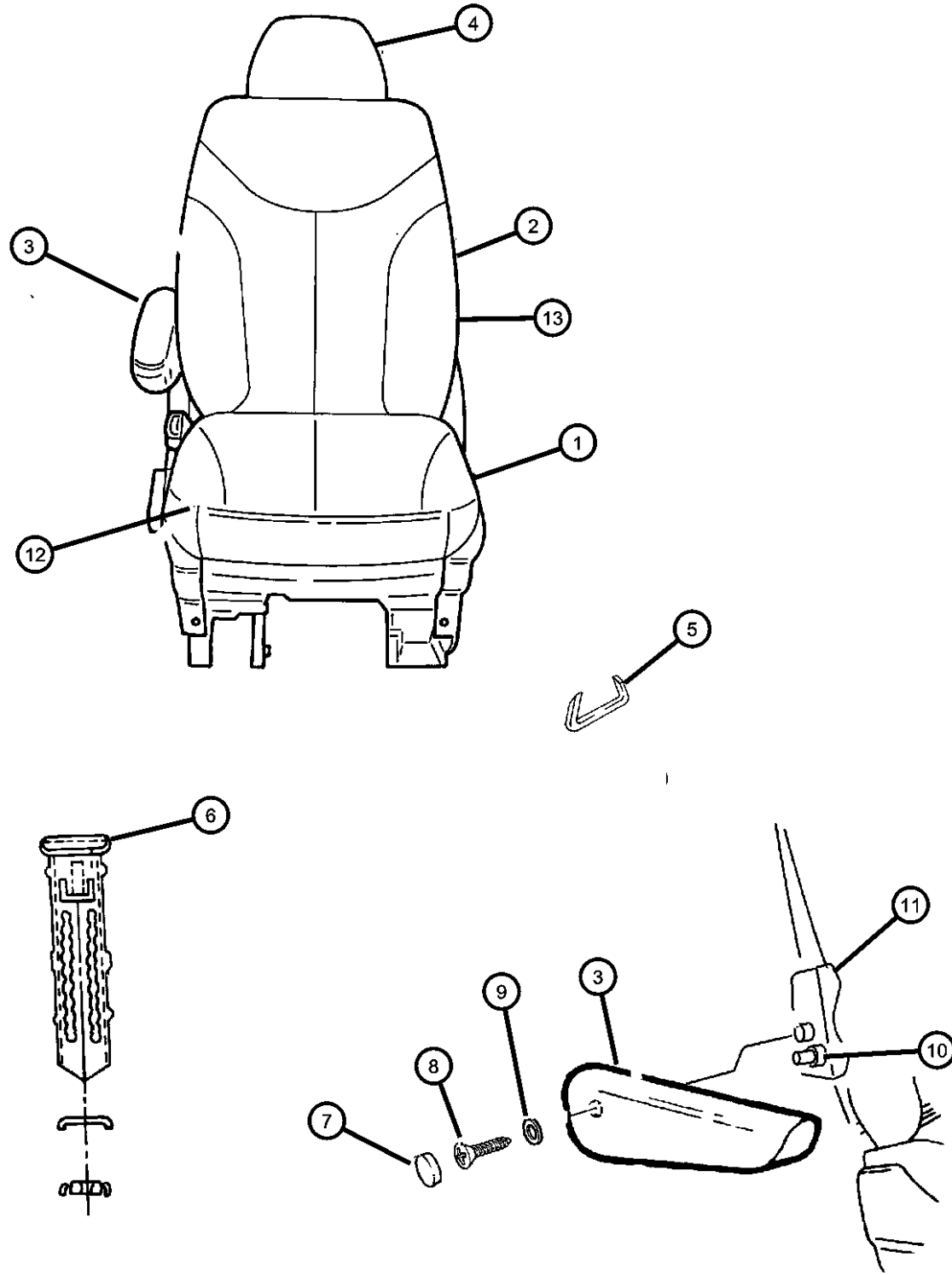
ITEM	PART NUMBER	QTY	LINE	SERIES	BODY	ENGINE	TRANS	TRIM	DESCRIPTION
------	-------------	-----	------	--------	------	--------	-------	------	-------------



	04874863	1						*E7	Locking
		1						*B7	Locking
7	0WU50SC3	1							PLUG, Armrest
		1						*B7	Mist Gray
		1						*E7	Mist Gray
	0WU50SK5	1						*B7	Tan
		1						*E7	Tan
8									SCREW, Pan Head, M8x1.25x41.5
	06503287	1						*E7	
		1						*B7	
9									WASHER, Wave, .520x.745
	04882234	1						*E7	
		1						*B7	
10									SCREW, Special Head, M8x1.25x32.5
	06503286	1						*E7	
		1						*B7	
11		1							SUPPORT, Armrest, Serviced With Seat Back, (NOT SERVICED)

AR = use ase required - = Non illustrated part

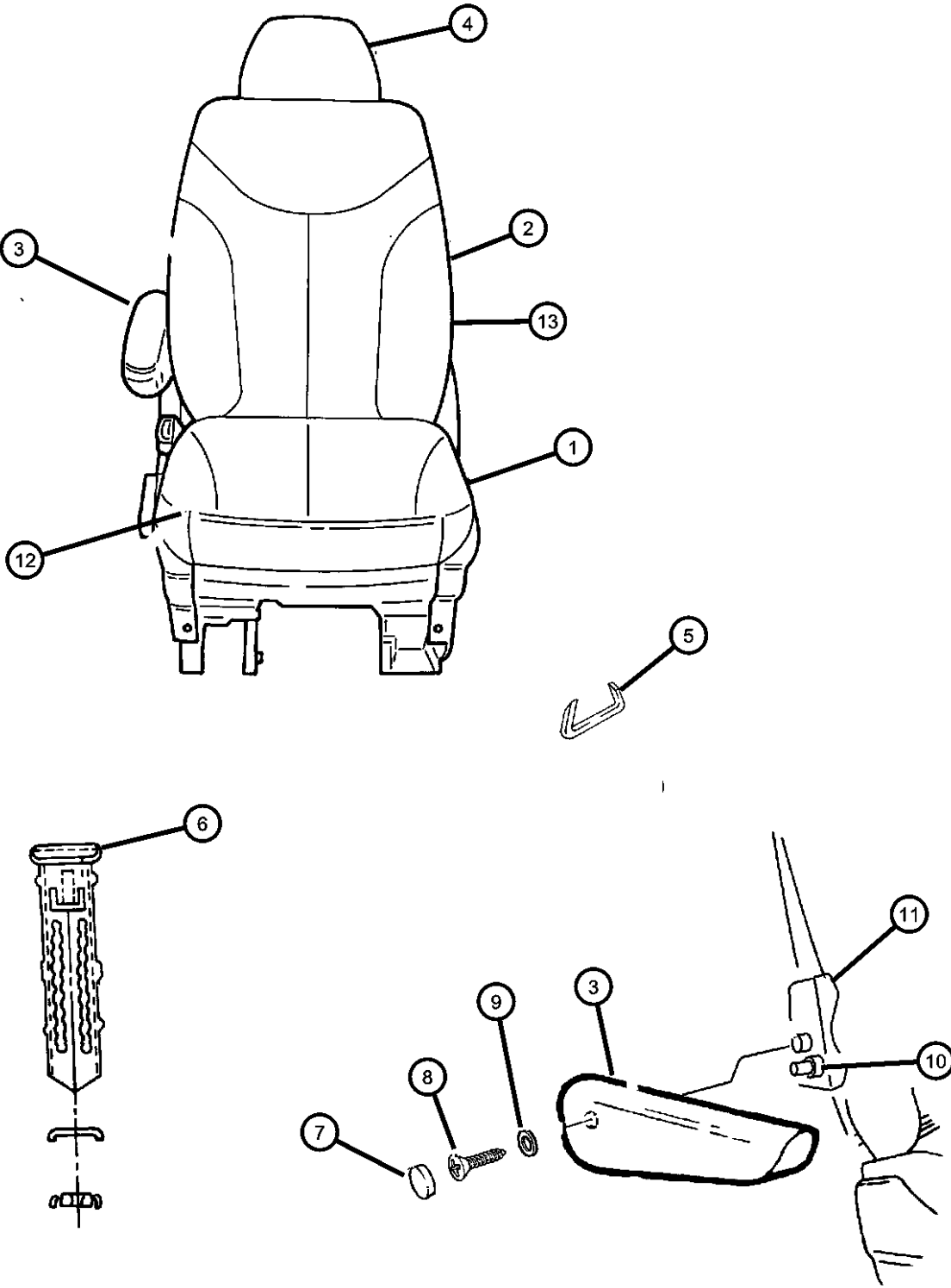
Seat, Rear, Trim Code GL, YL - Quad
Figure IGS-630



ITEM	PART NUMBER	QTY	LINE	SERIES	BODY	ENGINE	TRANS	TRIM	DESCRIPTION
1									CUSHION, Quad Seat
	0QE02SC3	1						*GL	Mist Gray, Right
		1						*YL	Mist Gray, Right
	0QE02SK5	1						*GL	Tan, Right
		1						*YL	Tan, Right
	0QE03SC3	1						*GL	Mist Gray, Left
		1						*YL	Mist Gray, Left
	0QE03SK5	1						*GL	Tan, Left
		1						*YL	Tan, Left
2									SEAT BACK, Rear Quad
	0QE01SC3	1						*GL	Mist Gray
		1						*YL	Mist Gray
	0QE01SK5	1						*GL	Tan
		1						*YL	Tan
3									ARMREST, Seat
	0QD70SC3	1						*GL	Mist Gray, Right Seat, Inner
		1						*GL	Mist Gray, Left Seat, Outer
	0QD70SK5	1						*GL	Tan, Right Seat, Inner
		1						*GL	Tan, Left Seat, Outer
	0QD71SC3	1						*YL	Mist Gray, Right Seat, Outer
		1						*GL	Mist Gray, Left Seat, Inner
		1						*YL	Mist Gray, Left Seat, Inner
	0QD71SK5	1						*GL	Tan, Right Seat, Outer
		1						*YL	Tan, Right Seat, Outer
		1						*GL	Tan, Left Seat, Inner
		1						*YL	Tan, Left Seat, Inner
4									HEADREST, Front
	0QE00SC3	1						*GL	Mist Gray
		1						*YL	Mist Gray
	0QE00SK5	1						*GL	Tan
		1						*YL	Tan
5		1							HOG RING, Seat, (NOT SERVICED),
6									SLEEVE, Headrest
	04874862	1						*GL	w/O-Ring Slave
		1						*YL	w/O-Ring Slave
	04874863	1						*YL	w/O-Ring Locking
7									PLUG, Armrest
	0WU50SC3	1						*GL	Mist Gray
		1						*YL	Mist Gray
	0WU50SK5	1						*GL	Tan

AR = use ase required - = Non illustrated part

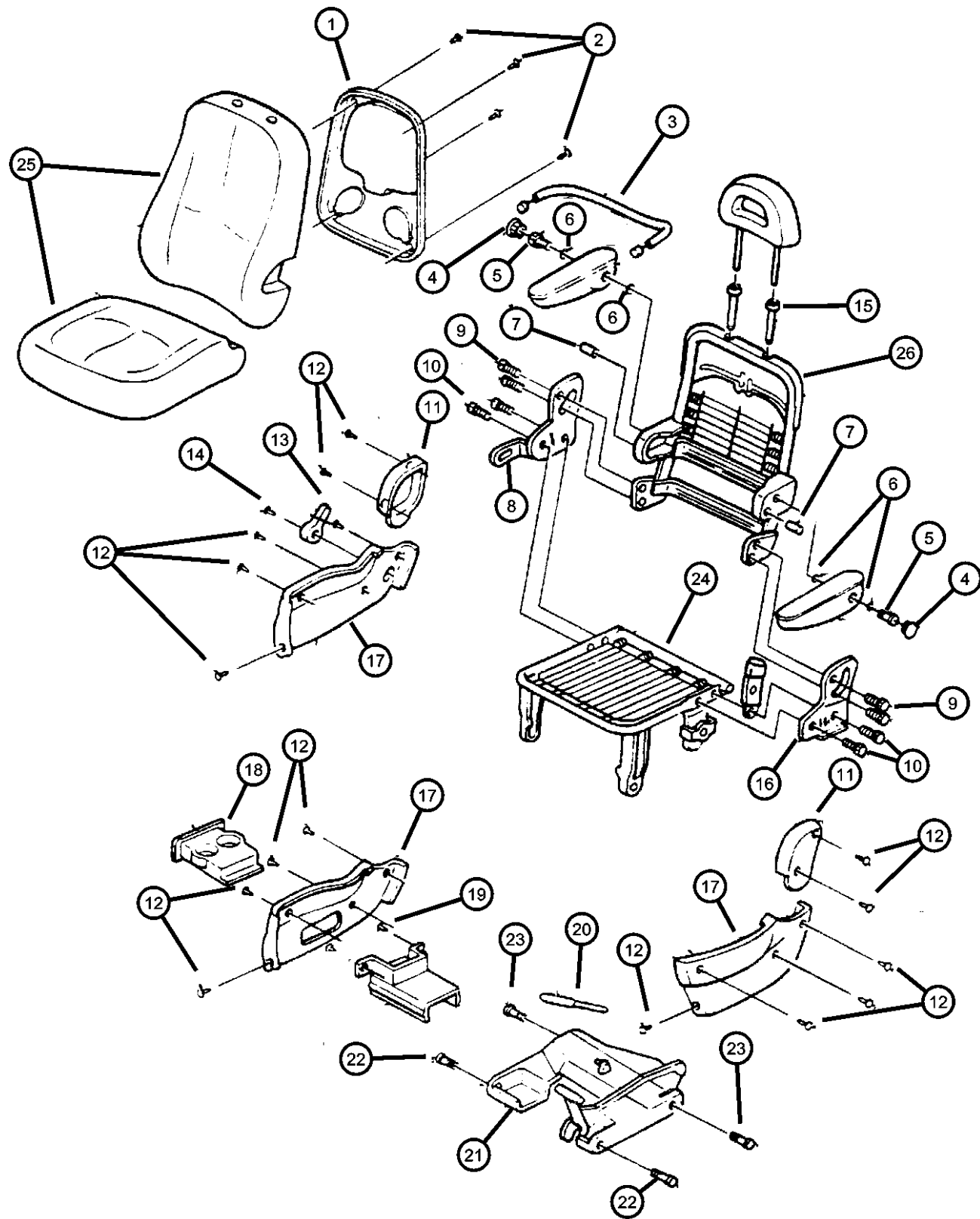
Seat, Rear, Trim Code GL, YL - Quad
Figure IGS-630



ITEM	PART NUMBER	QTY	LINE	SERIES	BODY	ENGINE	TRANS	TRIM	DESCRIPTION
		1						*YL	Tan
8		1							SCREW, Pan Head, M8x1.25x41.5
	06503287	1						*GL	
		1						*YL	
9		1							WASHER, Wave, .520x.745
	04882234	1						*GL	
		1						*YL	
10		1							SCREW, Special Head, M8x1.25x32.5
	06503286	1						*GL	
		1						*YL	
11		1							SUPPORT, Armrest, Serviced With Seat Back, (NOT SERVICED)
12		1							COVER, Rear Seat Cushion
	0QE14SC3	1						*GL	Mist Gray
		1						*YL	Mist Gray
	0QE14SK5	1						*GL	Tan
		1						*YL	Tan
13		1							COVER, Rear Seat Back
	0QE15SC3	1						*GL	Mist Gray
		1						*YL	Mist Gray
	0QE15SK5	1						*GL	Tan
		1						*YL	Tan

AR = use ase required - = Non illustrated part

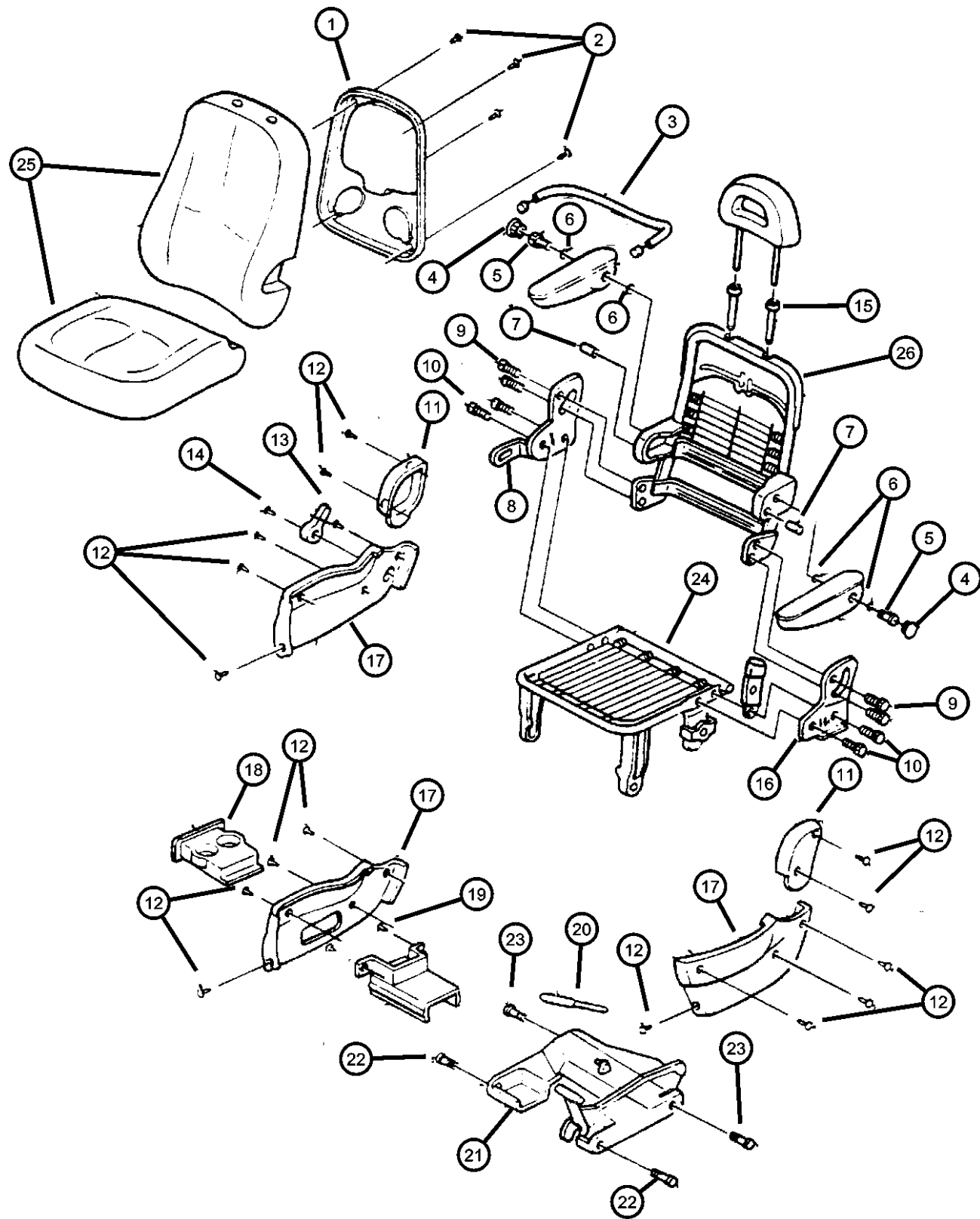
Quad Seats - Attaching Parts
Figure IGS-640



ITEM	PART NUMBER	QTY	LINE	SERIES	BODY	ENGINE	TRANS	TRIM	DESCRIPTION
1	0QD19SC3	1						*B7	PANEL, Seat Back
		1						*E7	Mist Gray, Right And Left
		1						*GL	Mist Gray, Right And Left
	0QD19SK5	1						*B7	Tan, Right And Left
		1						*E7	Tan, Right And Left
		1						*GL	Tan, Right And Left
		1						*YL	Tan, Right And Left
2		1							SCREW, 8x18x3/4, (NOT SERVICED),
3		1							CABLE, Recliner
	04797203	1						*E7	
		1						*GL	
		1						*YL	
		1						*B7	
4		1							PLUG, Armrest
	0WU50SC3	1						*B7	Mist Gray
		1						*GL	Mist Gray
		1						*YL	Mist Gray
	0WU50SK5	1						*B7	Tan
		1						*GL	Tan
		1						*YL	Tan
5		1							SCREW, Pan Head, M8x1.25x41.5
	06503287	1						*E7	
		1						*GL	
		1						*YL	
		1						*B7	
6		1							WASHER, Wave, .520x.745
	04882234	1						*E7	
		1						*GL	
		1						*YL	
		1						*B7	
7		1							SCREW, Special Head, M8x1.25x32.5
	06503286	1						*E7	
		1						*GL	
		1						*YL	
		1						*B7	
8		1							RECLINER, Seat Back
	04797238	1						*E7	Right
		1						*GL	Right
		1						*YL	Right

AR = use ase required - = Non illustrated part

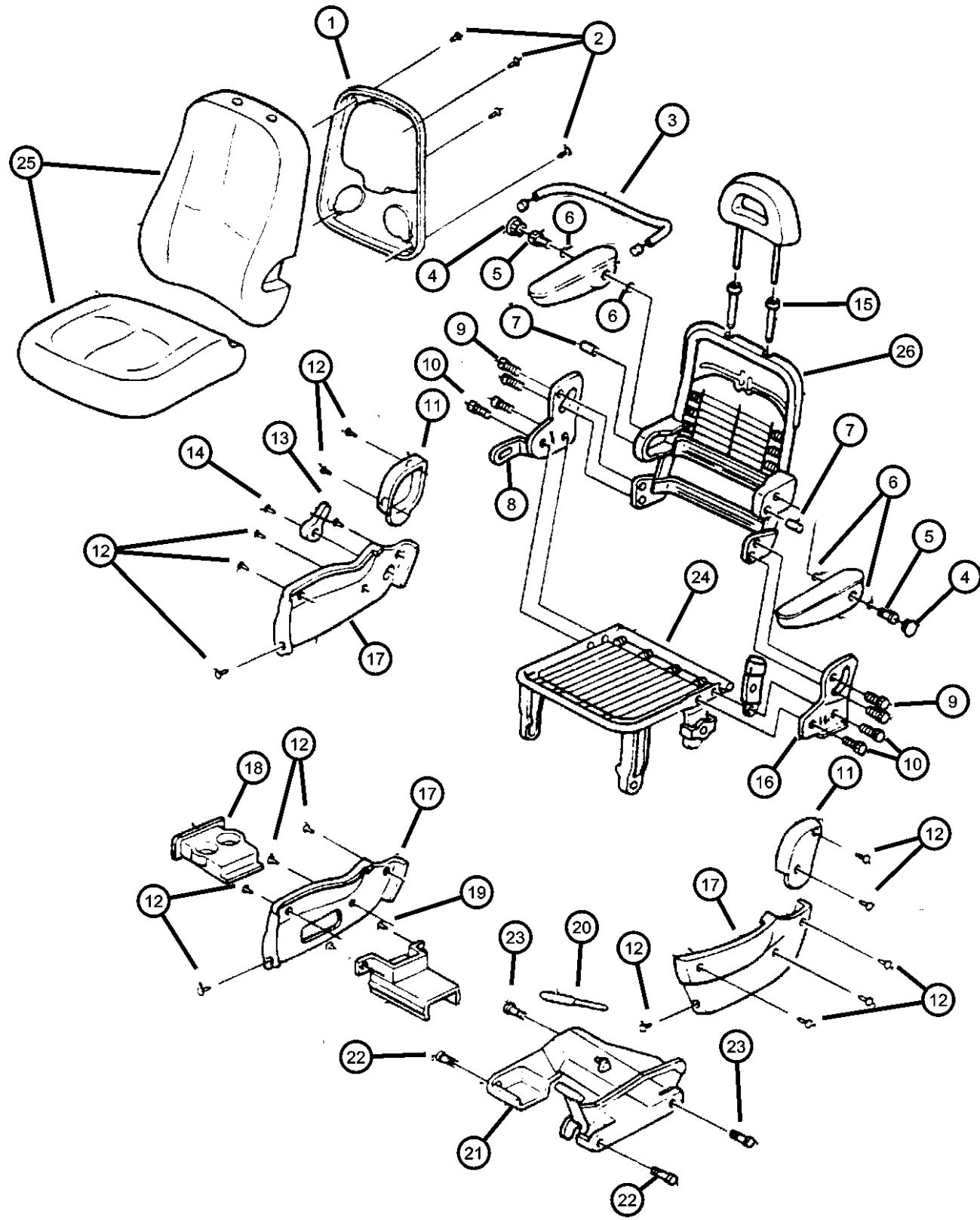
Quad Seats - Attaching Parts
Figure IGS-640



ITEM	PART NUMBER	QTY	LINE	SERIES	BODY	ENGINE	TRANS	TRIM	DESCRIPTION
		1						*B7	Right
9		1							BOLT, Seat Back Attaching, (NOT SERVICED)
10		1							BOLT, M12x1.75x51.0, (NOT SERVICED)
11									COVER, Recliner Seat
	0MW42SC3	1						*GL	Mist Gray, Upper Right
		1						*YL	Mist Gray, Upper Right
		1						*E7	Mist Gray, Upper Right
		1						*B7	Mist Gray, Upper Right
	0MW42SK5	1						*GL	Tan, Upper Right
		1						*YL	Tan, Upper Right
		1						*E7	Tan, Upper Right
		1						*B7	Tan, Upper Right
	0MW43SC3	1						*GL	Mist Gray, Upper Left
		1						*YL	Mist Gray, Upper Left
		1						*E7	Mist Gray, Upper Left
		1						*B7	Mist Gray, Upper Left
	0MW43SK5	1						*YL	Tan, Upper Left
		1						*E7	Tan, Upper Left
		1						*B7	Tan, Upper Left
	0MW44SC3	1						*E7	Mist Gray, Right
		1						*YL	Mist Gray, Right
		1						*B7	Mist Gray, Right
	0MW44SK5	1						*E7	Tan, Right
		1						*GL	Tan, Right
		1						*YL	Tan, Right
		1						*B7	Tan, Right
	0MW45SC3	1						*YL	Mist Gray, Left
		1						*E7	Mist Gray, Left
		1						*E7	Tan, Left
		1						*B7	Mist Gray, Left
	0MW45SK5	1						*GL	Tan, Left
		1						*YL	Tan, Left
		1						*B7	Tan, Left
12		1							SCREW, 8x12, (NOT SERVICED),
13									HANDLE, Seat Release
	04477681	1						*E7	
		1						*GL	
		1						*YL	
14		1							SCREW, M4x7x14, (NOT SERVICED)

AR = use ase required - = Non illustrated part

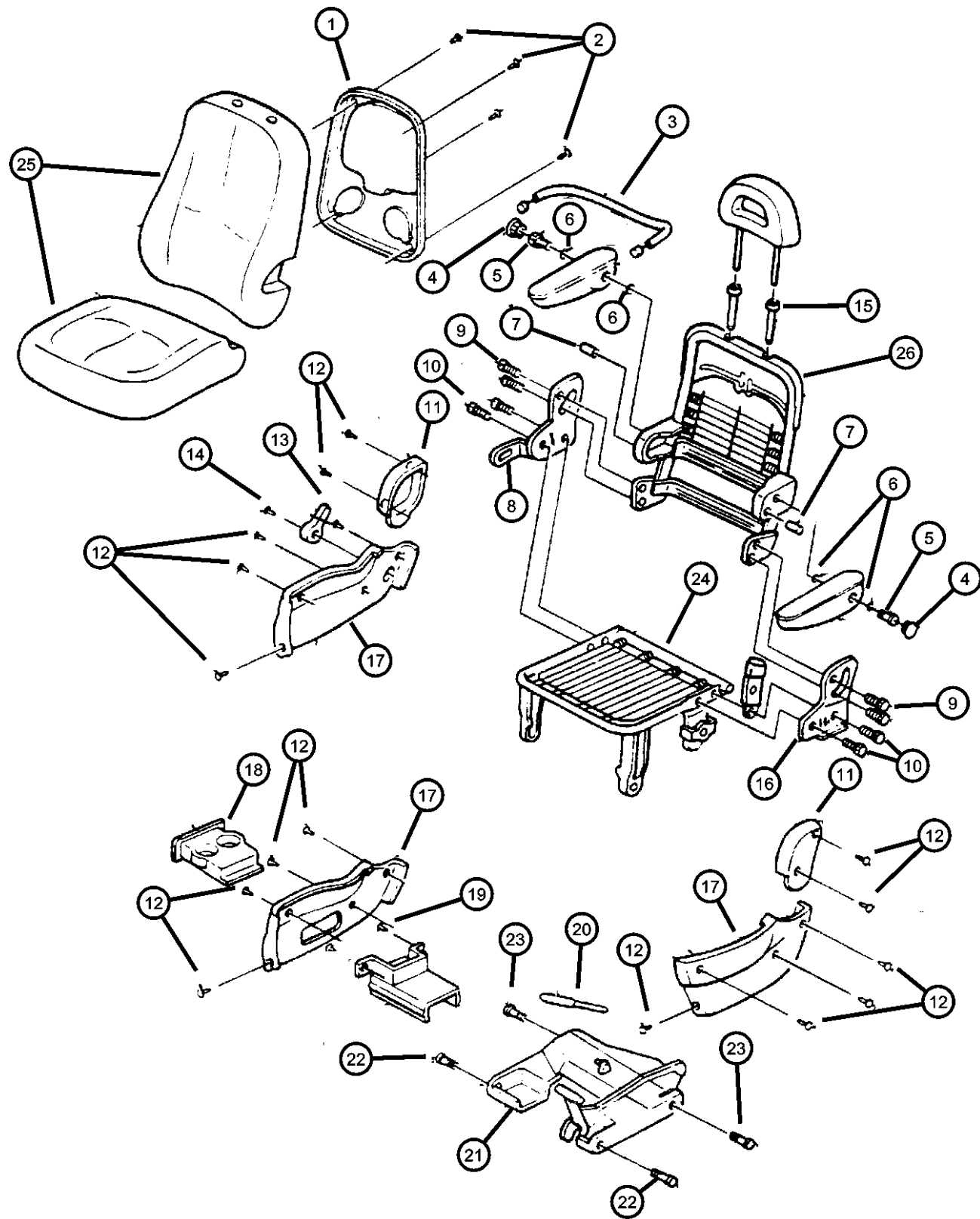
Quad Seats - Attaching Parts
Figure IGS-640



ITEM	PART NUMBER	QTY	LINE	SERIES	BODY	ENGINE	TRANS	TRIM	DESCRIPTION
15	04874862	1							SLEEVE, Headrest
		1						*GL	w/O-Ring Slave
		1						*E7	w/O-Ring Slave
		1						*B7	w/O-Ring Slave
		1						*YL	w/O-Ring Slave
	04874863	1						*YL	w/O-Ring Locking
		1						*E7	w/O-Ring Locking
		1						*B7	w/O-Ring Locking
		1						*GL	w/O-Ring Locking
16	04797239	1							RECLINER, Seat Back
		1						*YL	Left
		1						*GL	Left
		1						*E7	Left
		1						*B7	Left
17	0MW68SC3	1							SHIELD SIDE, Seat
		1						*E7	Mist Gray, Outboard, Right Seat
		1						*GL	Mist Gray, Outboard, Right Seat
		1						*YL	Mist Gray, Outboard, Right Seat
		1						*B7	Mist Gray, Outboard, Right Seat
	0MW68SK5	1						*E7	Tan, Outboard, Right Seat
		1						*GL	Tan, Outboard, Right Seat
		1						*YL	Tan, Outboard, Right Seat
		1						*B7	Tan, Outboard, Right Seat
	0MW66SC3	1						*E7	Mist Gray, Outboard, w/o Left Hand Door, Right Seat
		1						*GL	Mist Gray, Outboard, w/o Left Hand Door, Right Seat
		1						*YL	Mist Gray, Outboard, w/o Left Hand Door, Right Seat
		1						*B7	Mist Gray, Outboard, w/o Left Hand Door, Right Seat
	0MW66SK5	1						*E7	Tan, Outboard, w/o Left Hand Door, Right Seat
		1						*GL	Tan, Outboard, w/o Left Hand Door, Right Seat
		1						*YL	Tan, Outboard, w/o Left Hand Door, Right Seat
		1						*B7	Tan, Outboard, w/o Left Hand Door, Right Seat
	0MW67SC3	1						*GL	Mist Gray, Inboard w/o Left Hand Door, Left Seat
		1						*YL	Mist Gray, Inboard w/o Left Hand Door, Left Seat
		1						*B7	Mist Gray, Inboard w/o Left Hand Door, Left Seat
		1						*E7	Mist Gray, Inboard w/o Left Hand Door, Left Seat

AR = use ase required - = Non illustrated part

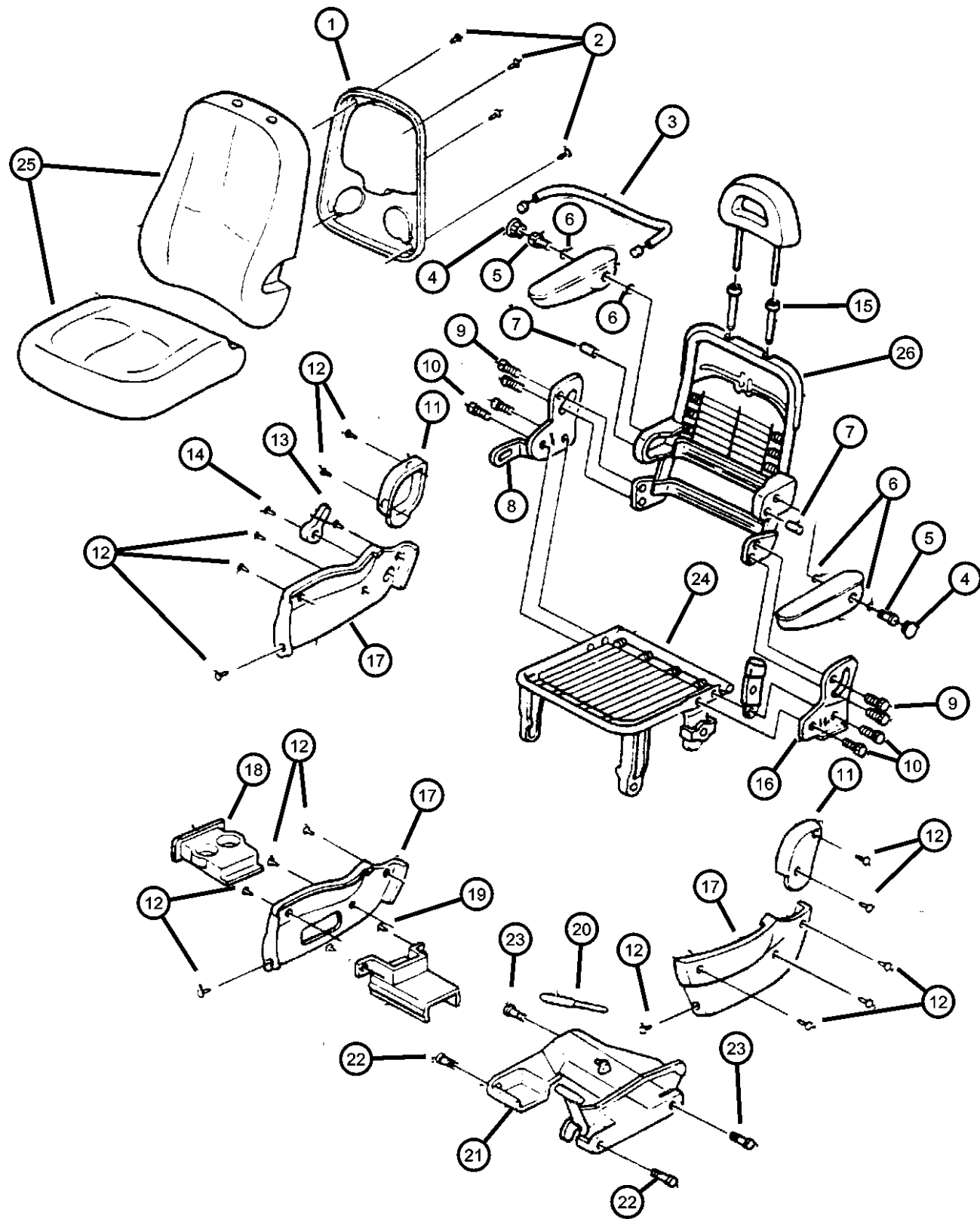
Quad Seats - Attaching Parts
Figure IGS-640



ITEM	PART NUMBER	QTY	LINE	SERIES	BODY	ENGINE	TRANS	TRIM	DESCRIPTION
	0MW67SK5	1						*GL	Tan, Inboard w/o Left Hand Door, Left Seat
		1						*YL	Tan, Inboard w/o Left Hand Door, Left Seat
		1						*B7	Tan, Outboard w/o Left Hand Door, Left Seat
		1						*E7	Tan, Inboard w/o Left Hand Door, Left Seat
	0MW65SC3	1						*B7	Mist Gray, Inboard w/Left Hand Door, Left Seat
		1						*E7	Mist Gray, Inboard w/Left, Left Seat
		1						*GL	Mist Gray, Inboard w/Left, Left Seat
		1						*YL	Mist Gray, Inboard w/Left, Left Seat
	0MW65SK5	1						*B7	Tan, Inboard w/Left Hand Door, Left Seat
		1						*E7	Tan, Inboard w/Left Hand, Left Seat
		1						*GL	Tan, Inboard w/Left Hand, Left Seat
		1						*YL	Tan, Inboard w/Left Hand, Left Seat
	0QV071C3AA	1						*B7	Mist Gray, w/Left Door and E-Z Entry (Outboard), Left Seat
		1						*E7	Mist Gray, w/Left Door and E-Z Entry (Outboard), Left Seat
		1						*GL	Mist Gray, w/Left Door and E-Z Entry (Outboard), Left Seat
		1						*YL	Mist Gray, w/Left Door and E-Z Entry (Outboard), Left Seat
	0QV071K5AA	1						*B7	Tan, w/Left Door and E-Z Entry (Outboard), Left Seat
		1						*E7	Tan, w/Left Door and E-Z Entry (Outboard), Left Seat
		1						*GL	Tan, w/Left Door and E-Z Entry (Outboard), Left Seat
		1						*YL	Tan, w/Left Door and E-Z Entry (Outboard), Left Seat
18									DRAWER, Cupholder
	05003198AA	1						*E7	
		1						*B7	
19		1							BOLT, M6x1x16, (NOT SERVICED)
20		1							STRUT, Stabilizer
	04882236	1						*B7	
		1						*E7	
		1						*GL	
		1						*YL	
21									SUPPORT, Rear Seat
	04874608	1						*B7	Right
		1						*E7	Right

AR = use ase required - = Non illustrated part

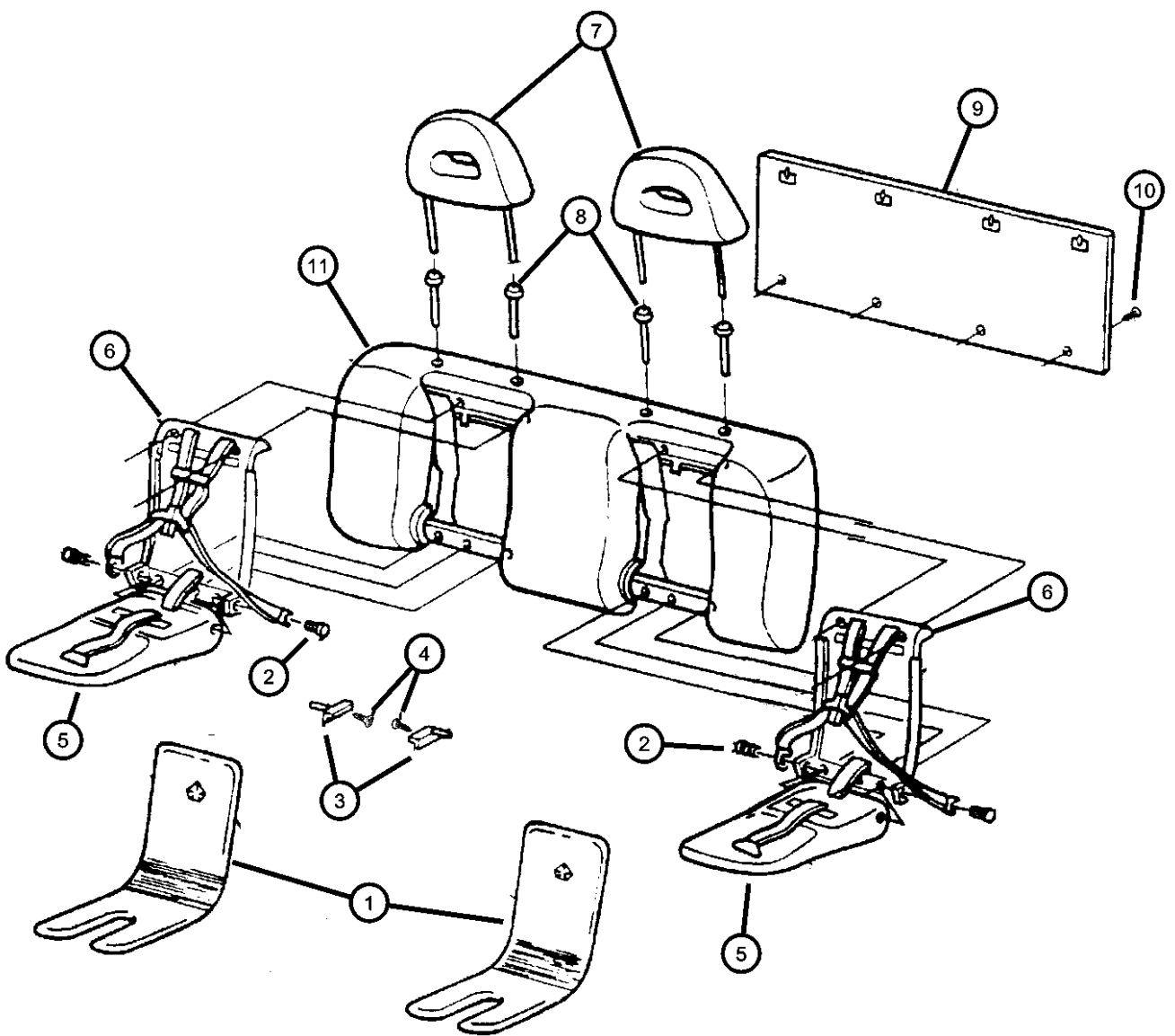
Quad Seats - Attaching Parts
Figure IGS-640



ITEM	PART NUMBER	QTY	LINE	SERIES	BODY	ENGINE	TRANS	TRIM	DESCRIPTION
		1						*GL	Right
		1						*YL	Right
	04874609	1						*B7	Left
		1						*E7	Left
		1						*GL	Left
		1						*YL	Left
	04886110AA	1						*B7	w/Left Hand Door and (R.H.D.)
		1						*E7	w/Left Hand Door and (R.H.D.)
		1						*GL	w/Left Hand Door and (R.H.D.)
		1						*YL	w/Left Hand Door and (R.H.D.)
22		1							BOLT, M10x6.4, (NOT SERVICED),
23		1							BOLT, Pin Latch, (NOT SERVICED)
24		1							SPRING, Seat Cushion, (NOT SERVICED)
25		1							SEAT COMPLETE, Rear Quad, (NOT SERVICED)
26		1							SPRING, Seat Back, (NOT SERVICED)
-27									LATCH, Seat
	04864342	1						*GL	
		1						*YL	

AR = use ase required - = Non illustrated part

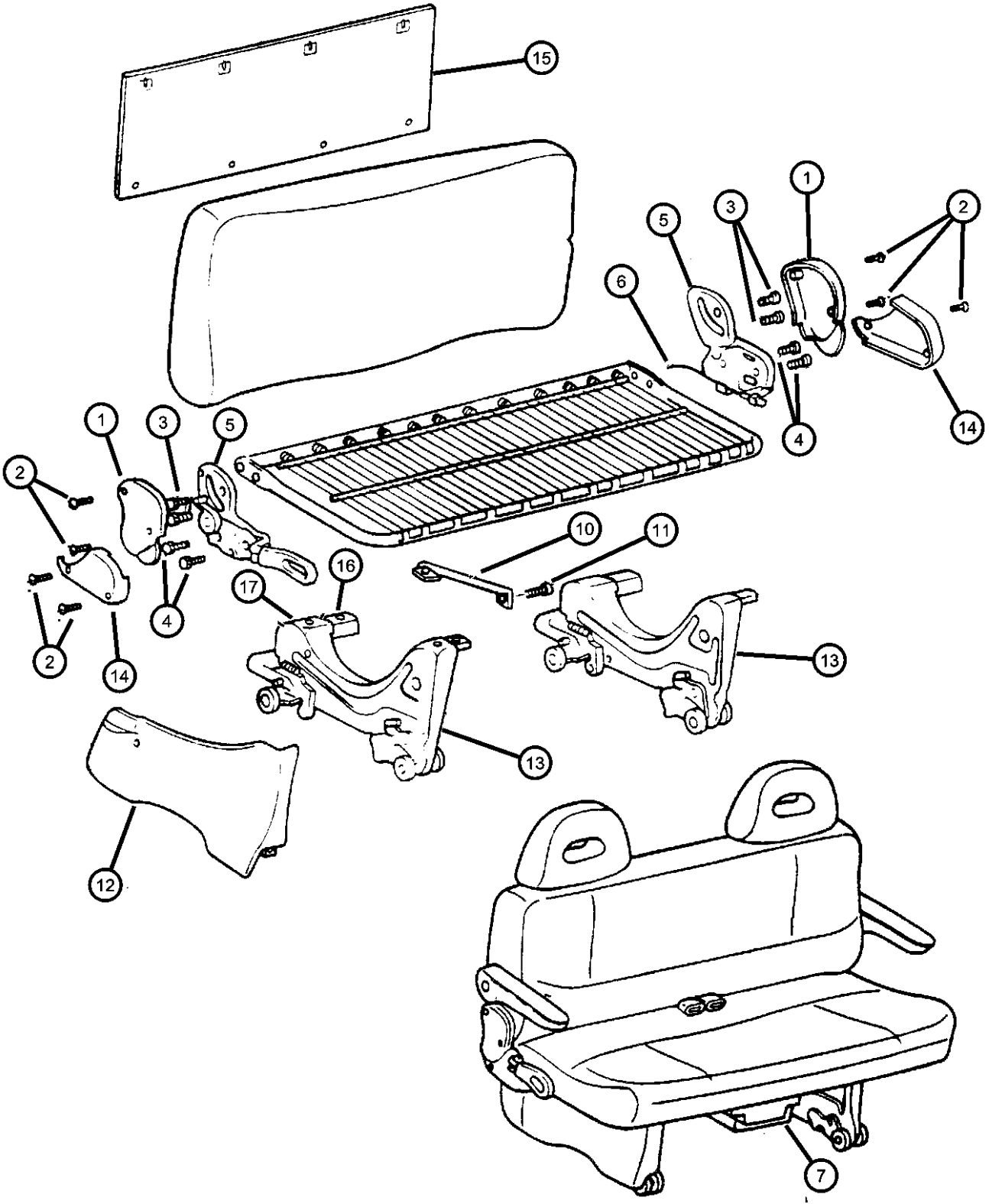
**Child Seat - Reclining
Figure IGS-665**



ITEM	PART NUMBER	QTY	LINE	SERIES	BODY	ENGINE	TRANS	TRIM	DESCRIPTION
1									PAD, Child Seat
	0QE09SC3	1						*B7	Mist Gray
	0QE09SK5	1						*B7	Tan
2	0QE09SK5	1							BOLT, M6x1.00x32.5, (NOT SERVICED),
3	0QE09SK5	1							BRACKET, Child Seat Module Attaching, (NOT SERVICED)
4	0QE09SK5	1							BOLT, (NOT SERVICED)
5	0QE09SK5	1							PAD, Child Seat, Serviced With Complete Module Only, (NOT SERVICED)
6	0QE09SK5	1							MODULE, Child Seat Complete, Serviced In Seat Back, (NOT SERVICED)
7									HEADREST, Child Seat
	0QE10SC3	1						*B7	Mist Gray
	0QE10SK5	1						*B7	Tan
8									SLEEVE, Headrest
	04874862	1						*GL	With O-Ring Slave
		1						*YL	With O-Ring Slave
		1						*E7	With O-Ring Slave
		1						*B7	With O-Ring Slave
	04874863	1						*GL	With O-Ring Locking
		1						*YL	With O-Ring Locking
		1						*E7	With O-Ring Locking
		1						*B7	With O-Ring Locking
9									PANEL, Seat Back, Two Passenger
	0QC88SC3	1						*B7	Mist Gray
	0QC88SK5	1						*B7	Tan
	0QD18SC3	1						*E7	Mist Gray
	0QD18SK5	1						*E7	Tan
10	0QD18SK5	1							BOLT, Panel Attaching, (NOT SERVICED),
11									SEAT BACK, Rear, W/Child Seat
	0QD77SC3	1						*B7	Mist Gray
	0QD77SK5	1						*B7	Tan
		1	Z		H			*B7	Mist Gray
		1	Z		H			*B7	Tan

AR = use ase required - = Non illustrated part

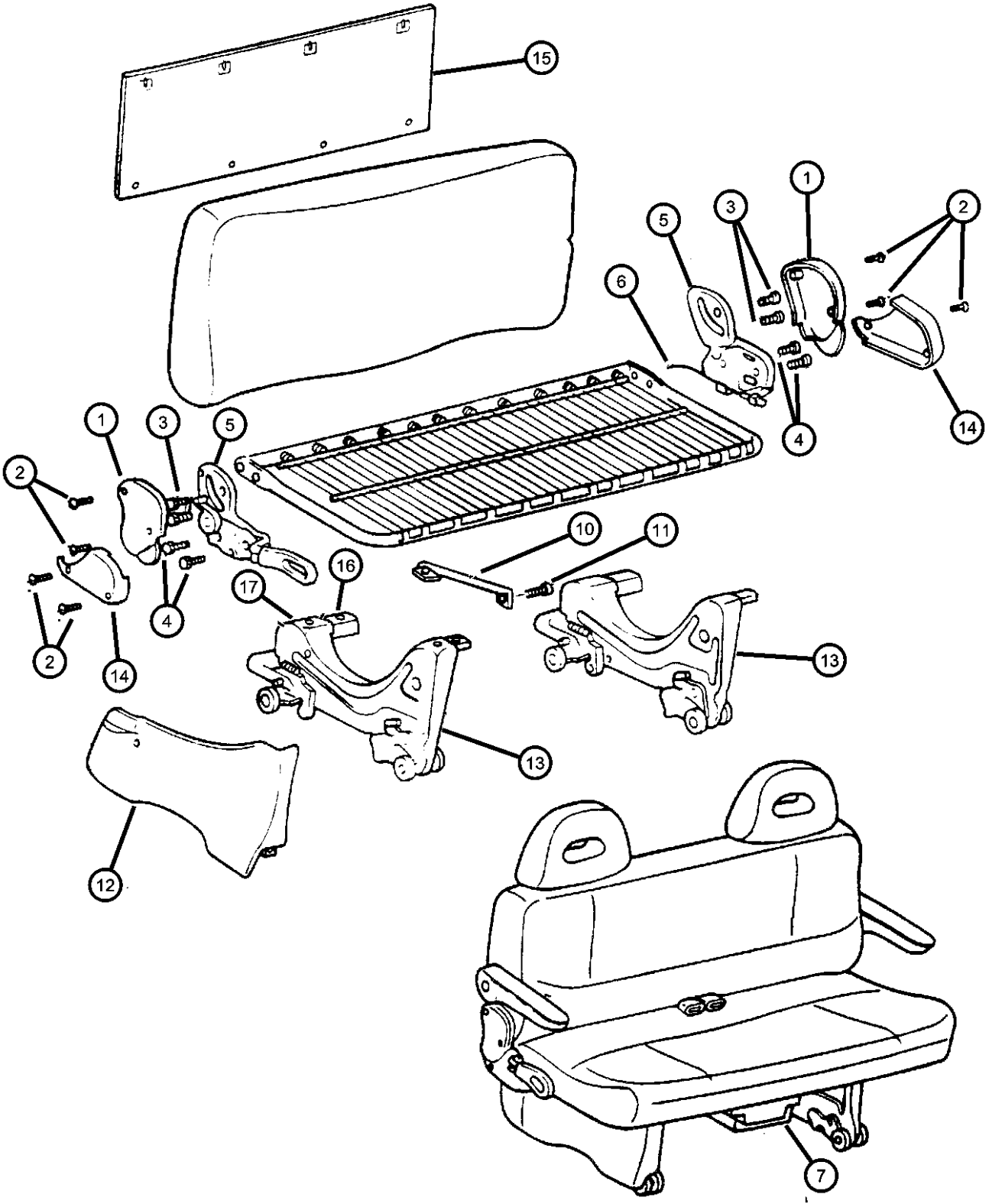
Child Seat - Reclining
Figure IGS-670



ITEM	PART NUMBER	QTY	LINE	SERIES	BODY	ENGINE	TRANS	TRIM	DESCRIPTION
1									COVER, Recliner Seat
	0MW44SC3	1						*GL	Mist Gray, Upper Right
		1						*YL	Mist Gray, Upper Right
		1						*E7	Mist Gray, Upper Right
		1						*B7	Mist Gray, Upper Right
	0MW44SK5	1						*GL	Tan, Upper Right
		1						*YL	Tan, Upper Right
		1						*E7	Tan, Upper Right
		1						*B7	Tan, Upper Right
	0MW45SC3	1						*E7	Mist Gray, Upper Left
		1						*GL	Mist Gray, Upper Left
		1						*YL	Mist Gray, Upper Left
		1						*B7	Mist Gray, Upper Left
	0MW45SK5	1						*E7	Tan, Upper Left
		1						*GL	Tan, Upper Left
		1						*YL	Tan, Upper Left
2		1							SCREW, 8x1/2, (NOT SERVICED),
3		1							BOLT, M10-1.5x47, (NOT SERVICED)
4		1							BOLT, M10-1.5x36, (NOT SERVICED)
5									RECLINER, Seat Back
	04874562	1						*B7	Right
		1						*E7	Right
	04874563	1						*B7	Left
		1						*E7	Left
6									CABLE, Recliner
	04797200	1						*E7	2-Passenger
		1						*B7	2-Passenger
7									DRAWER, Cupholder
	05003198AA	1						*E7	
		1						*B7	
		1	Z					*B7	
		1	Z					*E7	
-8									HOUSING, Cup Holder
	05003185AA	1						*E7	
		1						*B7	
		1	Z					*B7	
		1	Z					*E7	
-9									FACE PLATE, Cupholder
	05003199AA	1						*E7	
		1						*B7	

AR = use ase required - = Non illustrated part

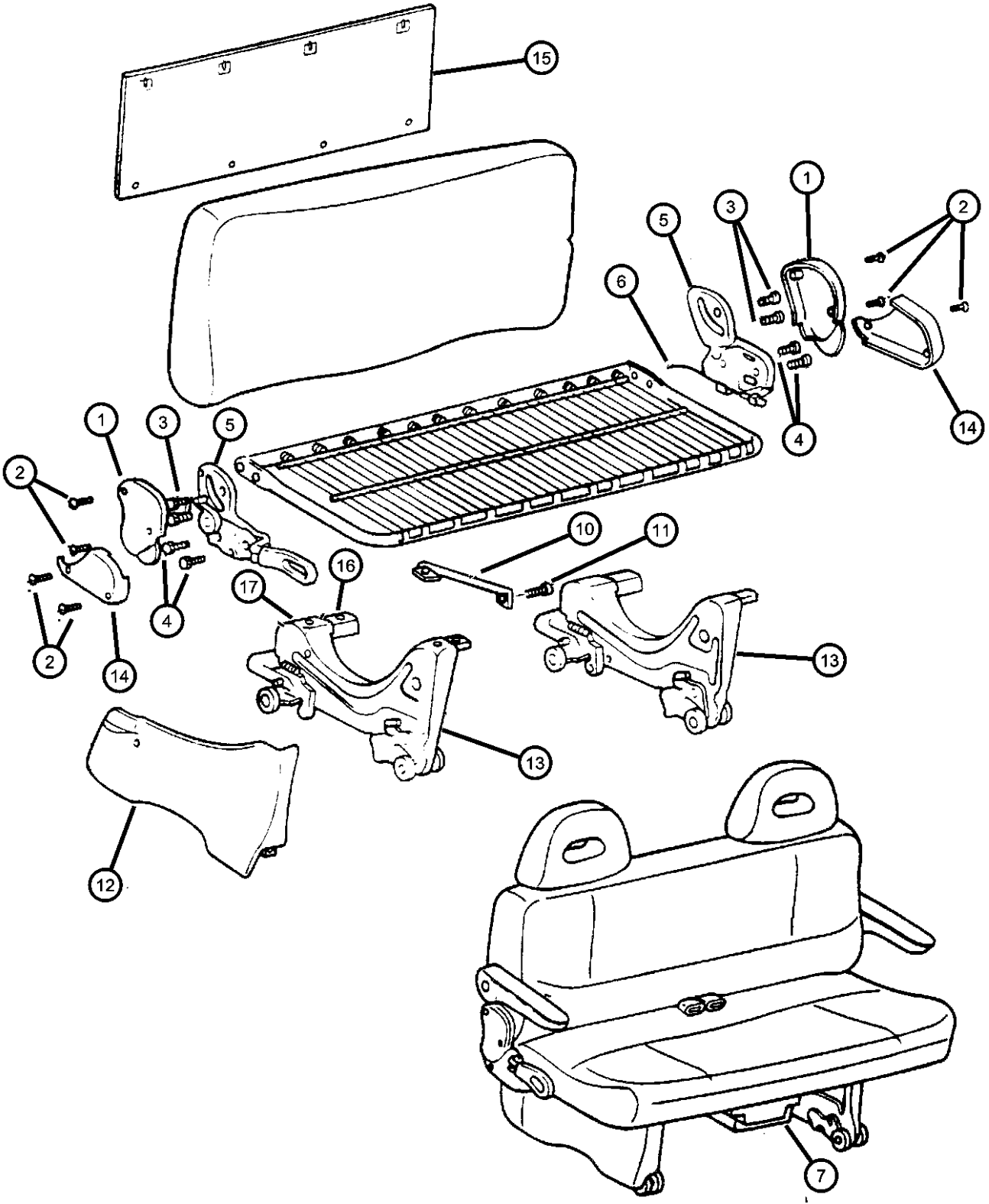
Child Seat - Reclining
Figure IGS-670



ITEM	PART NUMBER	QTY	LINE	SERIES	BODY	ENGINE	TRANS	TRIM	DESCRIPTION
		1	Z	H				*B7	
		1	Z	P				*E7	
10									STRUT, Stabilizer
	04798546	1						*B7	
		1						*E7	
	04882236	1						*GL	
		1						*YL	
11		1							BOLT, M6x10, (NOT SERVICED)
12									COVER, Seat Riser, Two Passenger
	0MW46SC3	1						*E7	Mist Gray, Right
		1						*B7	Mist Gray, Right
	0MW46SK5	1						*E7	Tan, Right
		1						*B7	Tan, Right
13	04874560	1						*E7	RISER, Seat, 2 Passenger Fixed and Child Seat, Right And Left
14									COVER, Recliner Seat, Lower
	0MW42SC3	1						*GL	Mist Gray, Right
		1						*E7	Mist Gray, Right
		1						*B7	Mist Gray, Right
	0MW42SK5	1						*GL	Tan, Right
		1						*E7	Tan, Right
		1						*B7	Tan, Right
	0MW43SC3	1						*GL	Mist Gray, Left
		1						*YL	Mist Gray, Left
		1						*E7	Mist Gray, Left
		1						*B7	Mist Gray, Left
	0MW43SK5	1						*GL	Tan, Left
		1						*YL	Tan, Left
		1						*E7	Tan, Left
		1						*B7	Tan, Left
15									PANEL, Seat Back, Two Passenger
	0QC88SC3	1						*B7	Mist Gray
	0QC88SK5	1						*B7	Tan
	0QD18SC3	1						*E7	Mist Gray
	0QD18SK5	1						*E7	Tan
16									HANDLE, Seat Riser
	04705906	2	Z	H				*B7	
		2	Z	P				*E7	
		2	Z	S				*YL	
	04874418AB	1						*GL	Right

AR = use ase required - = Non illustrated part

Child Seat - Reclining
Figure IGS-670

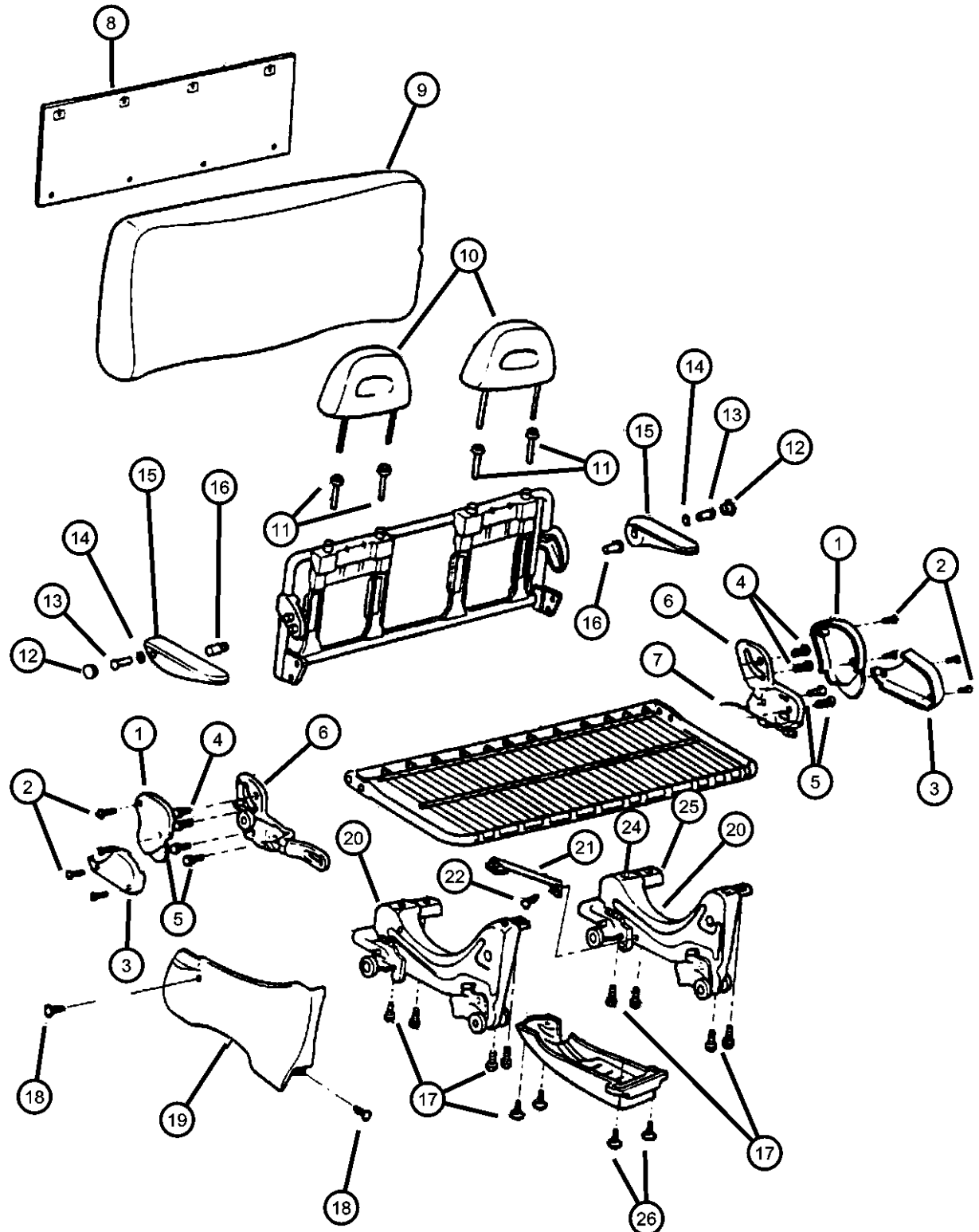


ITEM	PART NUMBER	QTY	LINE	SERIES	BODY	ENGINE	TRANS	TRIM	DESCRIPTION
		1						*YL	Right
		1						*E7	Right
		1						*B7	Right
	04874419AB	1						*GL	Left
		1						*YL	Left
		1						*E7	Left
		1						*B7	Left
17									HANDLE, Latch Release
	04874420	1						*GL	
		1						*YL	
		1						*E7	
		1						*B7	

AR = use ase required - = Non illustrated part

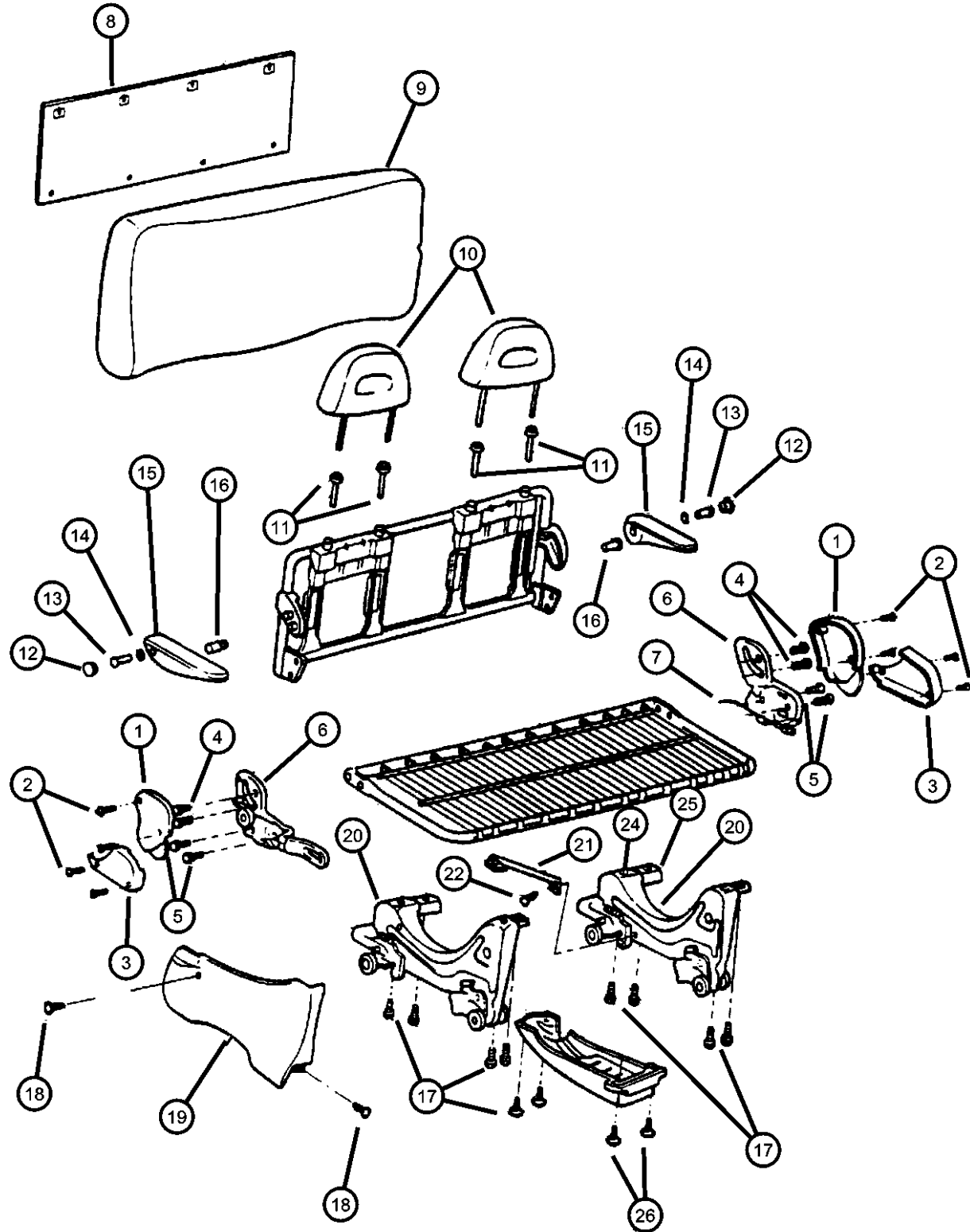
Rear Seat - 2 Passenger, Adjusters, Covers, Shields and Attaching Parts
Figure IGS-675

ITEM	PART NUMBER	QTY	LINE	SERIES	BODY	ENGINE	TRANS	TRIM	DESCRIPTION	
1	0MW44SC3	1						*E7	COVER, Recliner Seat	
		1						*GL	Mist Gray, Upper Right	
		1						*YL	Mist Gray, Upper Right	
		1						*B7	Mist Gray, Upper Right	
	0MW44SK5	1							*E7	Tan, Upper Right
		1							*GL	Tan, Upper Right
		1							*YL	Tan, Upper Right
		1							*B7	Tan, Upper Right
	0MW45SC3	1							*E7	Mist Gray, Upper Left
		1							*GL	Mist Gray, Upper Left
		1							*YL	Mist Gray, Upper Left
		1							*B7	Mist Gray, Upper Left
0MW45SK5	1							*E7	Tan, Upper Left	
	1							*GL	Tan, Upper Left	
	1							*YL	Tan, Upper Left	
	1							*B7	Tan, Upper Left	
2		1						SCREW, 8x1/2 Truss Head, (NOT SERVICED),		
3	0MW42SC3	1						*YL	COVER, Recliner Seat	
		1						*E7	Mist Gray, Lower, Right	
		1						*B7	Mist Gray, Lower, Right	
		1						*GL	Tan, Lower, Right	
	0MW42SK5	1							*YL	Tan, Lower, Right
		1							*E7	Tan, Lower, Right
		1							*B7	Tan, Lower, Right
		1							*GL	Tan, Lower, Right
	0MW43SC3	1							*YL	Mist Gray, Lower, Left
		1							*B7	Mist Gray, Lower, Left
		1							*GL	Tan, Lower, Left
		1							*YL	Tan, Lower, Left
0MW43SK5	1							*E7	Tan, Lower, Left	
	1							*B7	Tan, Lower, Left	
	1							*GL	Tan, Lower, Left	
	1							*YL	Tan, Lower, Left	
4		1						BOLT, Seat Back Attaching (M10-1.5x47), (NOT SERVICED)		
5		1						BOLT, Seat Back Attaching, (10-1.5x36), (NOT SERVICED)		
6	04874562	1						*B7	RECLINER, Seat Back	
		1						*E7	2-Passenger, Right	
	04874563	1						*B7	2-Passenger, Left	
		1						*E7	2-Passenger, Left	



AR = use ase required - = Non illustrated part

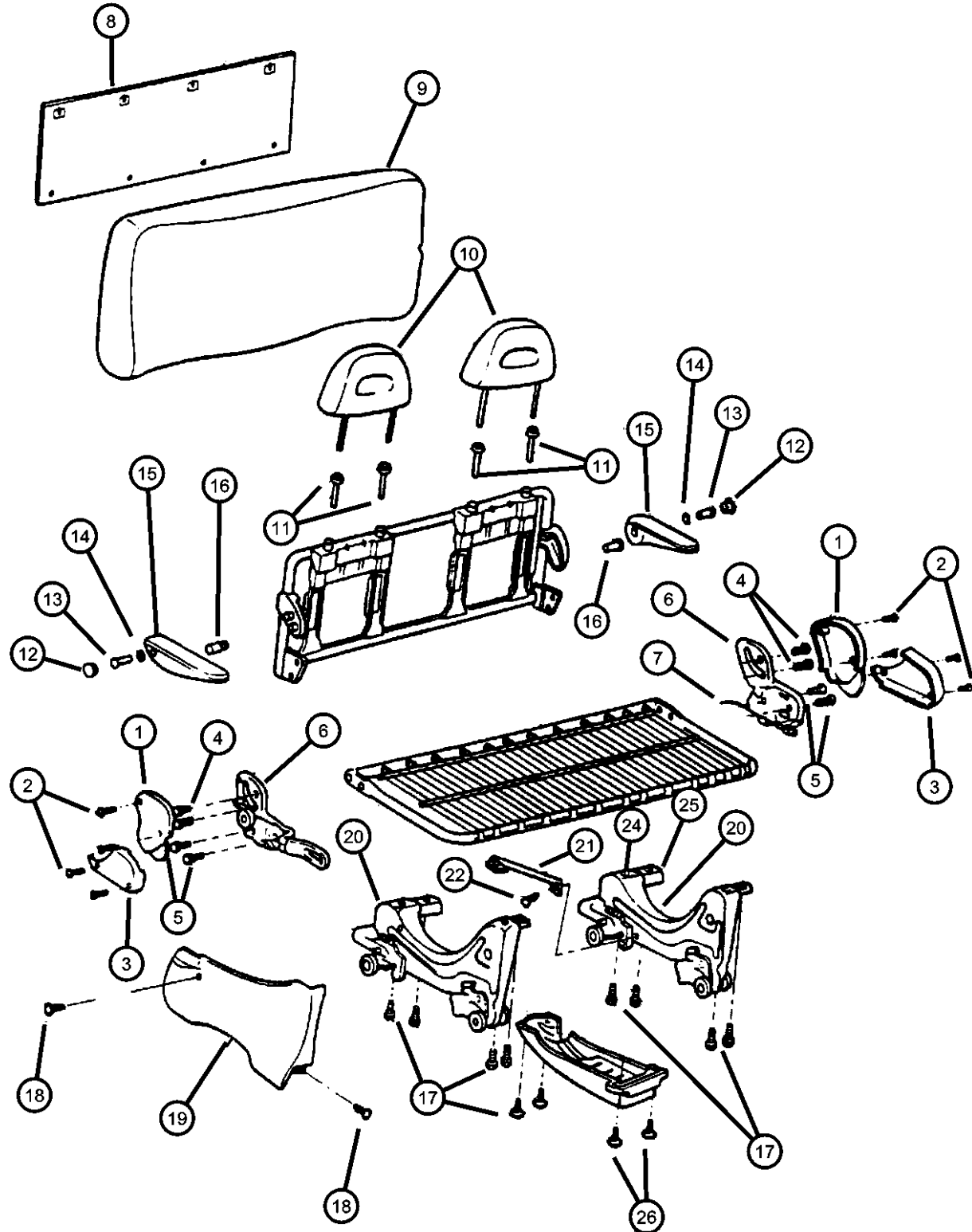
Rear Seat - 2 Passenger, Adjusters, Covers, Shields and Attaching Parts
Figure IGS-675



ITEM	PART NUMBER	QTY	LINE	SERIES	BODY	ENGINE	TRANS	TRIM	DESCRIPTION
7									CABLE, Recliner
	04797200	1						*E7	
		1						*B7	
	04797202	1						*GL	
		1						*YL	
8									PANEL, Seat Back, Two Passenger
	0QD18SC3	1						*B7	Mist Gray,
		1						*E7	Mist Gray
	0QD18SK5	1						*B7	Tan,
		1						*E7	Tan
9		1							BACK, Seat, Reference Only, (NOT SERVICED),
10		1							HEADREST, Rear, See Seat Illustration, (NOT SERVICED)
11									SLEEVE, Headrest
	04874862	1						*GL	With O-Ring (Slave)
		1						*YL	With O-Ring (Slave)
		1						*E7	With O-Ring (Slave)
		1						*B7	With O-Ring (Slave)
	04874863	1						*GL	With O-Ring (Locking)
		1						*YL	With O-Ring (Locking)
		1						*E7	With O-Ring (Locking)
		1						*B7	With O-Ring (Locking)
12									PLUG, Armrest
	0WU50SC3	1						*B7	Mist Gray
		1						*E7	Mist Gray
		1						*GL	Mist Gray
		1						*YL	Mist Gray
	0WU50SK5	1						*B7	Tan
		1						*E7	Tan
		1						*GL	Tan
		1						*YL	Tan
13									SCREW, Pan Head, M8x1.25x41.5
	06503287	1						*E7	
		1						*GL	
		1						*YL	
		1						*B7	
14									WASHER, Wave, .520x.745
	04882234	1						*E7	
		1						*GL	
		1						*YL	

AR = use ase required - = Non illustrated part

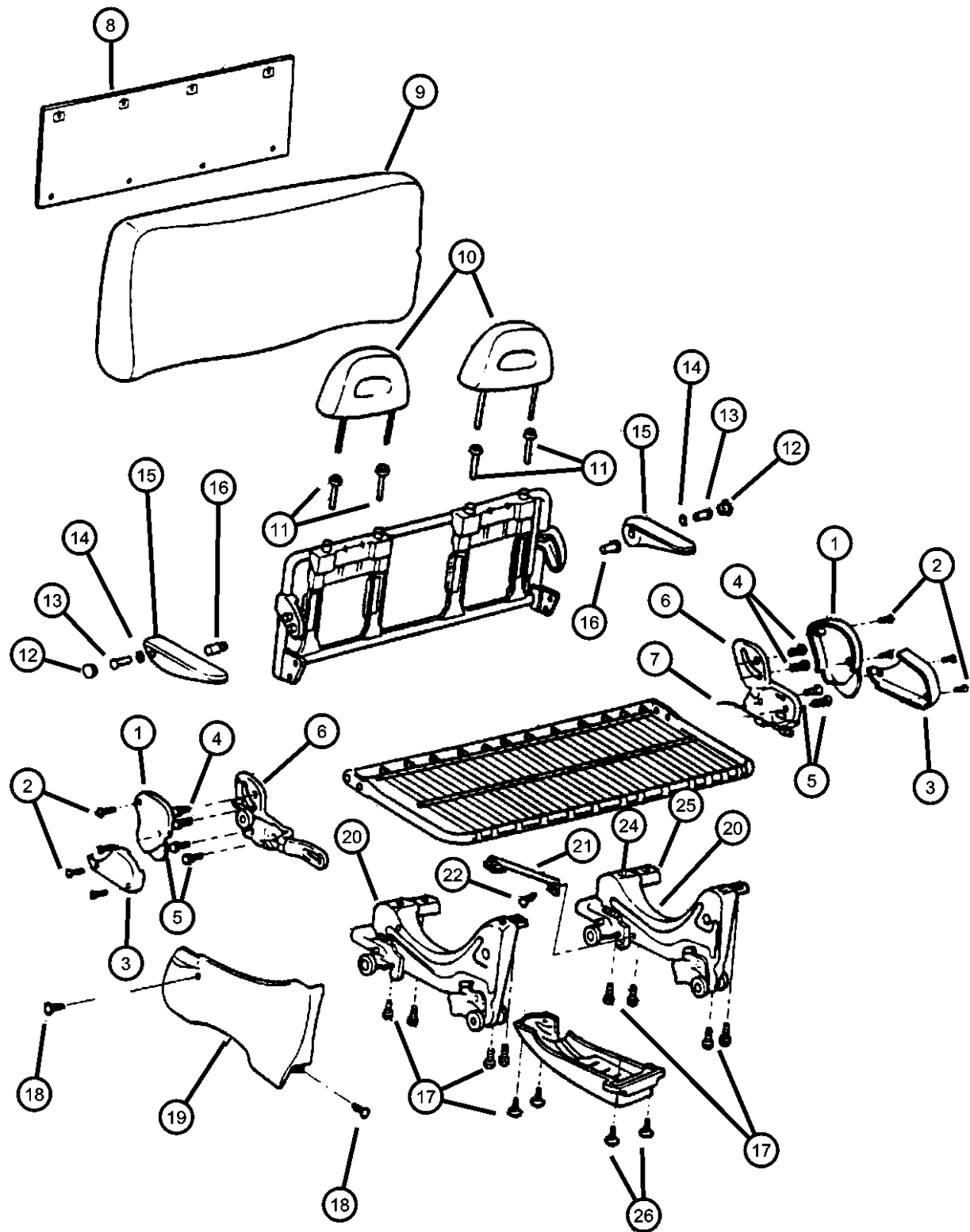
Rear Seat - 2 Passenger, Adjusters, Covers, Shields and Attaching Parts
Figure IGS-675



ITEM	PART NUMBER	QTY	LINE	SERIES	BODY	ENGINE	TRANS	TRIM	DESCRIPTION
		1						*B7	
15		1							ARMREST, Seat, See Seat Illustration, (NOT SERVICED)
16									SCREW, Special Head, M8x1.25x32.5
	06503286	1						*E7	
		1						*GL	
		1						*YL	
		1						*B7	
17									BOLT, Seat
	04882145	1						*B7	
		1						*E7	
		1						*GL	
		1						*YL	
18		1							SCREW, 8x1/2 Truss Head, (NOT SERVICED)
19									COVER, Seat Riser, Two Passenger
	0MW46SC3	1						*E7	Mist Gray, Right
		1						*B7	Mist Gray, Right
	0MW46SK5	1						*E7	Tan, Right
		1						*B7	Tan, Right
20									RISER, Seat
	04874560	1						*B7	
		1						*E7	
21									STRUT, Stabilizer
	04798546	1						*E7	
		1						*B7	
	04882236	1						*GL	
		1						*YL	
22		1							BOLT, M6x10, (NOT SERVICED)
-23									DRAWER, Cupholder
	05003198AA	1						*E7	
		1						*B7	
		1	Z					*B7	
		1	Z					*E7	
24									HANDLE, Seat Riser
	04705906	2	U, Z					*E7	
		2	U, Z					*YL	
	04874418AB	1						*GL	Right
		1						*YL	Right
		1						*E7	Right

AR = use ase required - = Non illustrated part

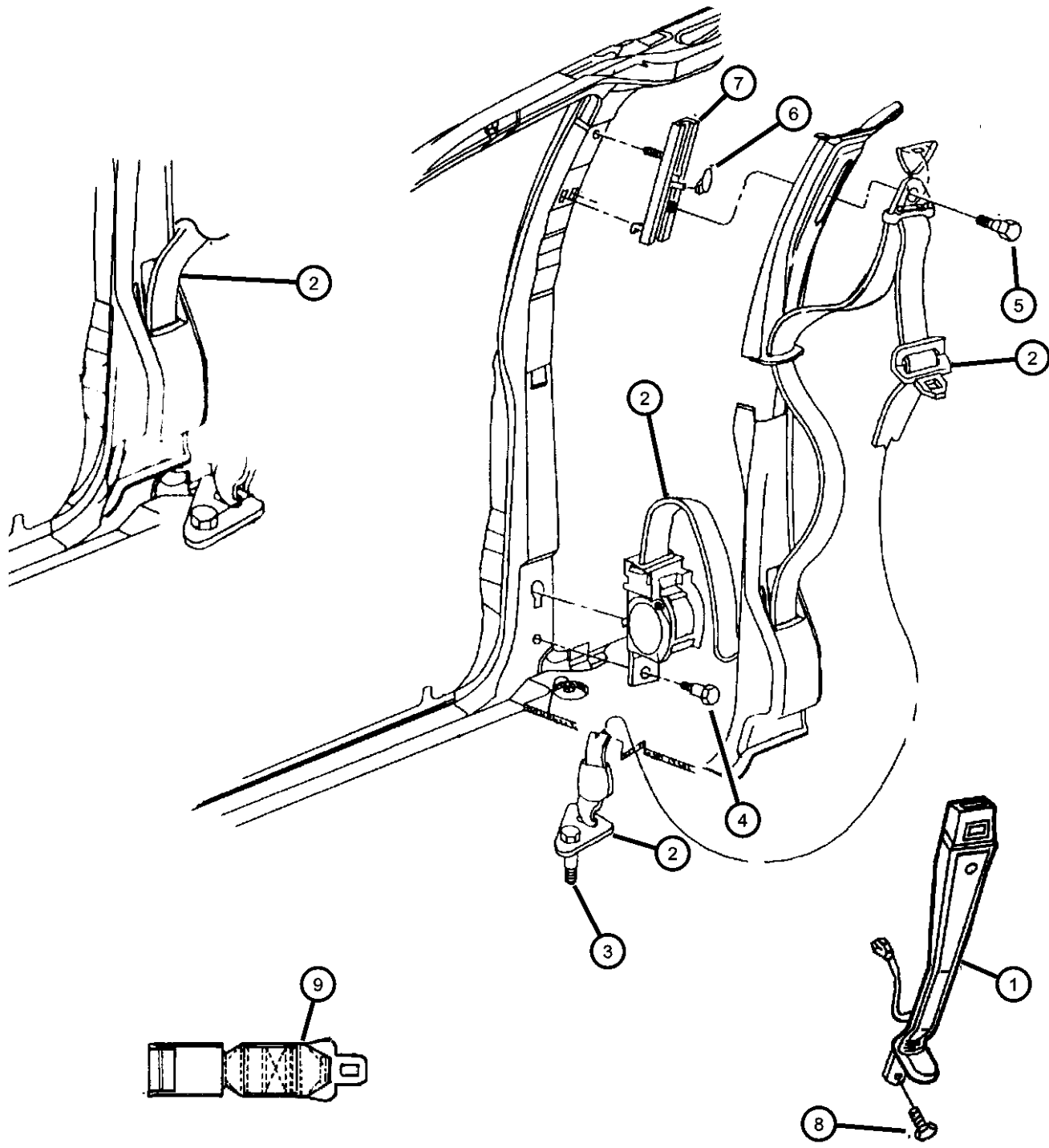
Rear Seat - 2 Passenger, Adjusters, Covers, Shields and Attaching Parts
Figure IGS-675



ITEM	PART NUMBER	QTY	LINE	SERIES	BODY	ENGINE	TRANS	TRIM	DESCRIPTION
		1						*B7	Right
	04874419AB	1						*GL	Left
		1						*YL	Left
		1						*E7	Left
		1						*B7	Left
25									HANDLE, Latch Release
	04874420	1						*GL	
		1						*YL	
		1						*E7	
26		1						*B7	
									SCREW, (NOT SERVICED)

AR = use ase required - = Non illustrated part

Seat Belts - Front
Figure IGS-710

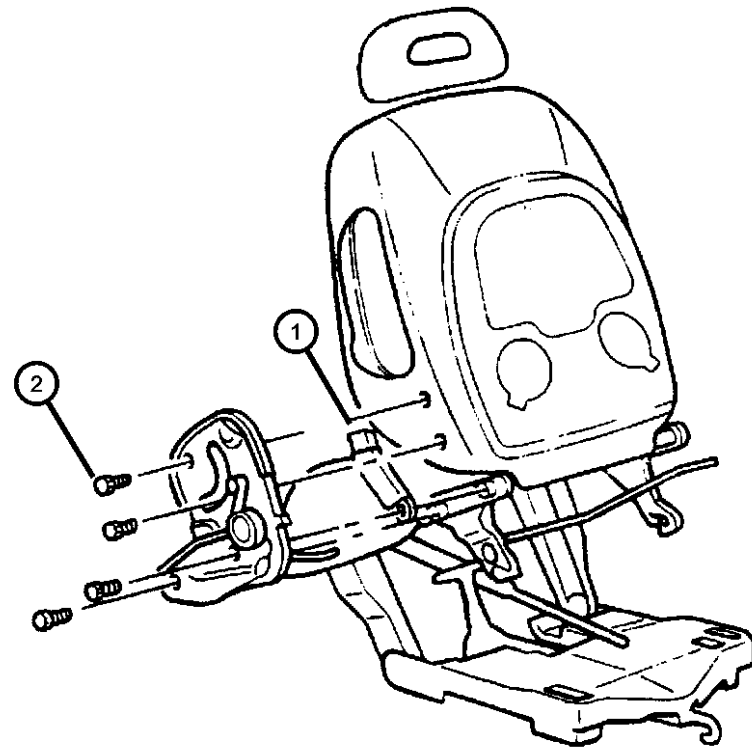


ITEM	PART NUMBER	QTY	LINE	SERIES	BODY	ENGINE	TRANS	TRIM	DESCRIPTION
1	04680202	1							SEAT BELT, Front Inner Right
	04680203	1							Left
2	04680414	1	U, Z						SEAT BELT, Front Outer, w/R.H.D., Right
3	04680414	1							BOLT, Serviced w/Item 2, (NOT SERVICED)
4	06031484	2							BOLT, Hex Head, .437-20x1.20
5	06035338	2							SCREW, Hex Head Locking, .437-20x1.695
6	04680418	2							BUTTON, Adjuster
7	04680126	2							ADJUSTER, Seat Belt Turning Loop, Serviced With Item 6
8	06031484	2							BOLT, Hex Head, .437-20x1.20
9	06031484	2							EXTENDER, Seat Belt, (NOT SERVICED)

AR = use ase required - = Non illustrated part

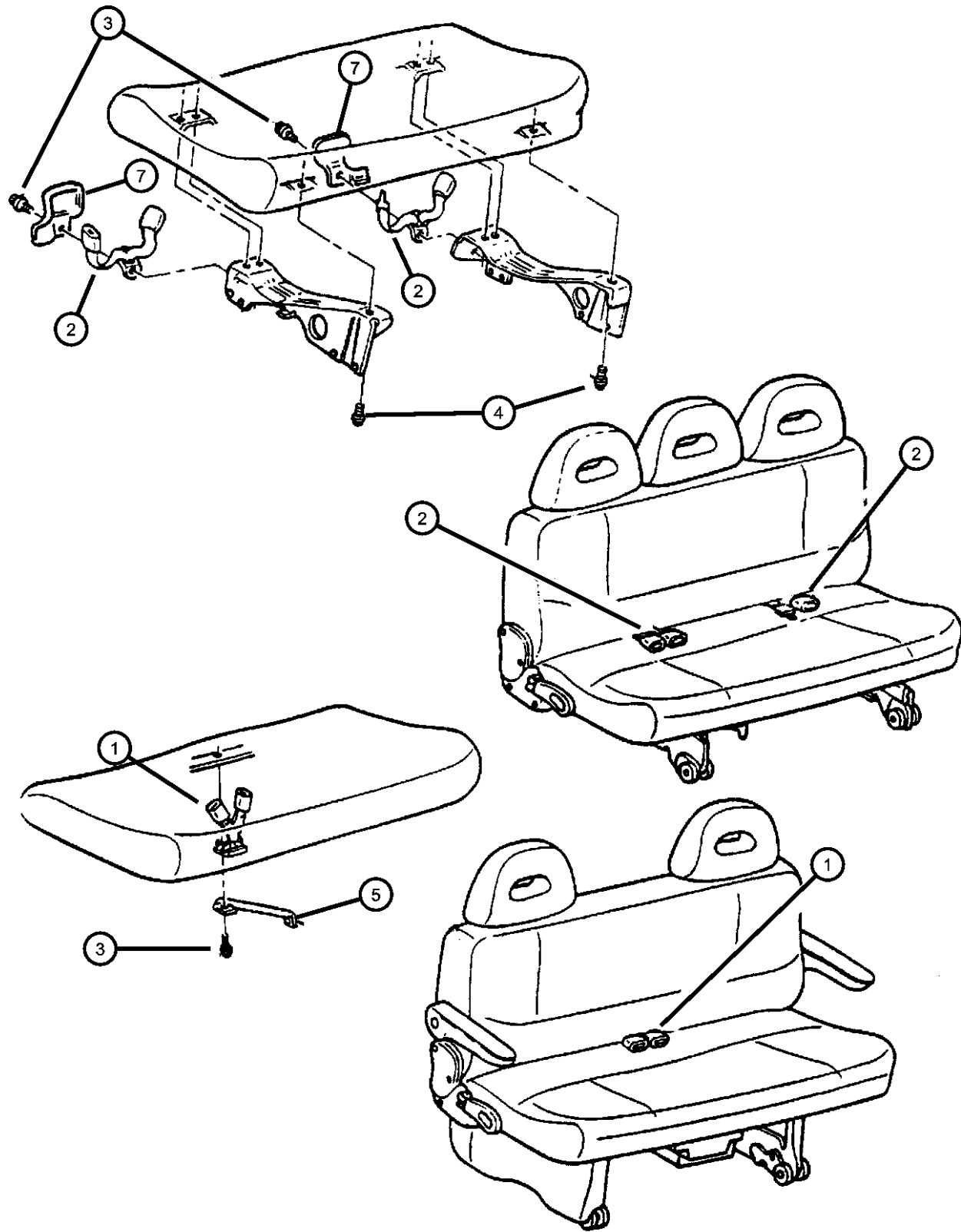
Belts - Quad Seats
Figure IGS-720

ITEM	PART NUMBER	QTY	LINE	SERIES	BODY	ENGINE	TRANS	TRIM	DESCRIPTION
1	04680210	2							SEAT BELT, Front Inner
2	06031484	2							BOLT, Hex Head, .437-20x1.20



AR = use ase required - = Non illustrated part

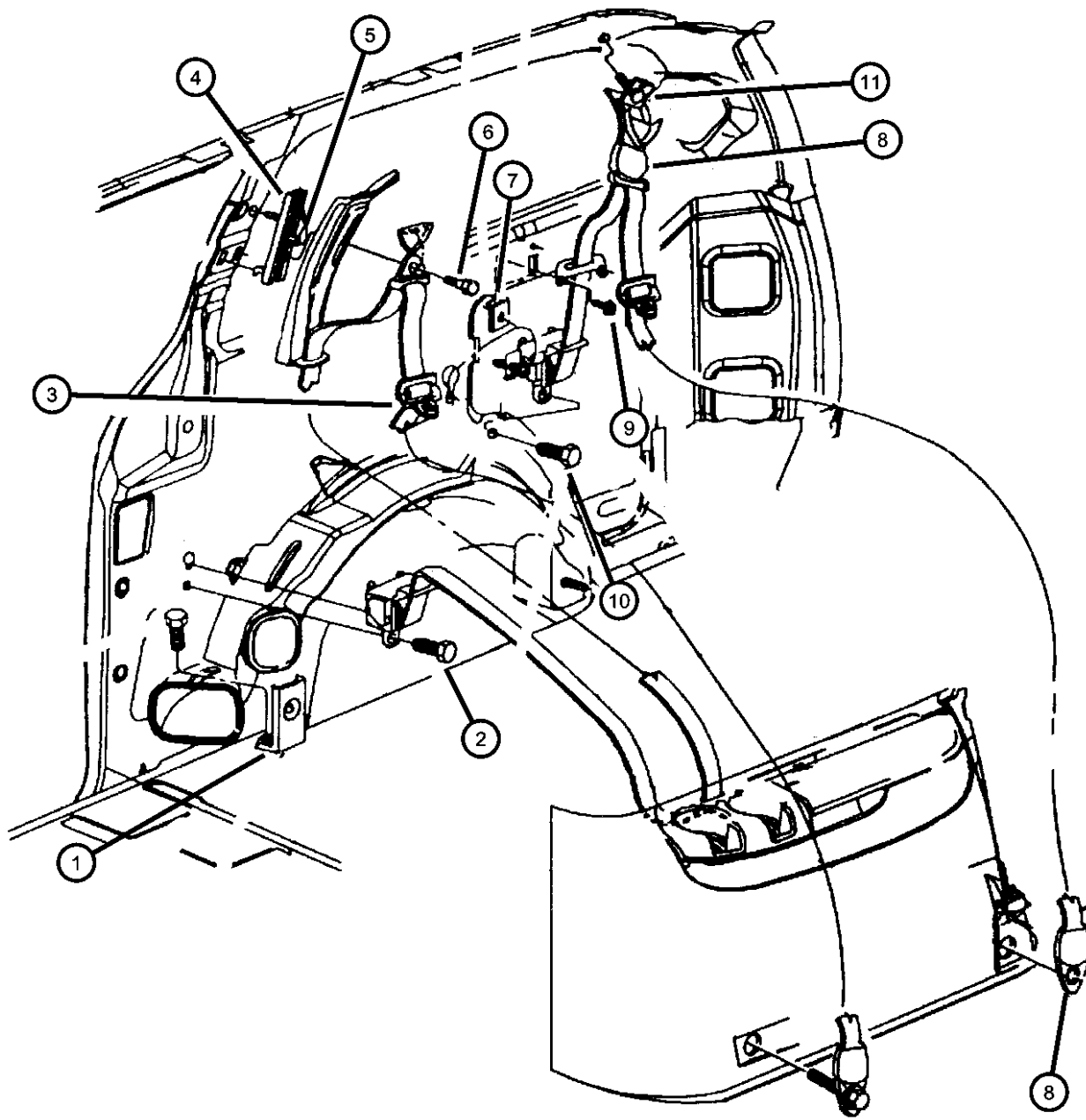
**Belts - Rear Inner 2 and 3 Passenger
Figure IGS-730**



ITEM	PART NUMBER	QTY	LINE	SERIES	BODY	ENGINE	TRANS	TRIM	DESCRIPTION
1	04680206	1							SEAT BELT, 2 Passenger Inner
2	04680208	1			52				SEAT BELT, 3 Passenger Inner Right
	04680209	1	C, Y		52			*C7	Right
		1						*YL	Left
3	06031484	2							BOLT, Hex Head, .437-20x1.20
4	04882145	1						*E7	BOLT, Seat
		1						*YL	
5	04798546	1							STRUT, Stabilizer 2-Passenger
		1						*B7	2-Passenger
-6	04680413	1							TETHER, Child Seat, Australia
7	04798844	1						*B7	BEZEL, Seat Belt Right
		1	U, Z	H				*B7	Right
		1	U, Z	P				*E7	Right
		1						*YL	Right
		1						*GL	Right
		1	U, Z	P				*GL	Right
	04798845	1	U, Z	S				*YL	Right
		1	U, Z	H				*B7	Left
		1	U, Z	P				*B7	Left
		1	U, Z	P				*E7	Left
		1						*YL	Left
		1						*GL	Left
		1	U, Z	P				*GL	Left
		1	U, Z	S				*YL	Left

AR = use ase required - = Non illustrated part

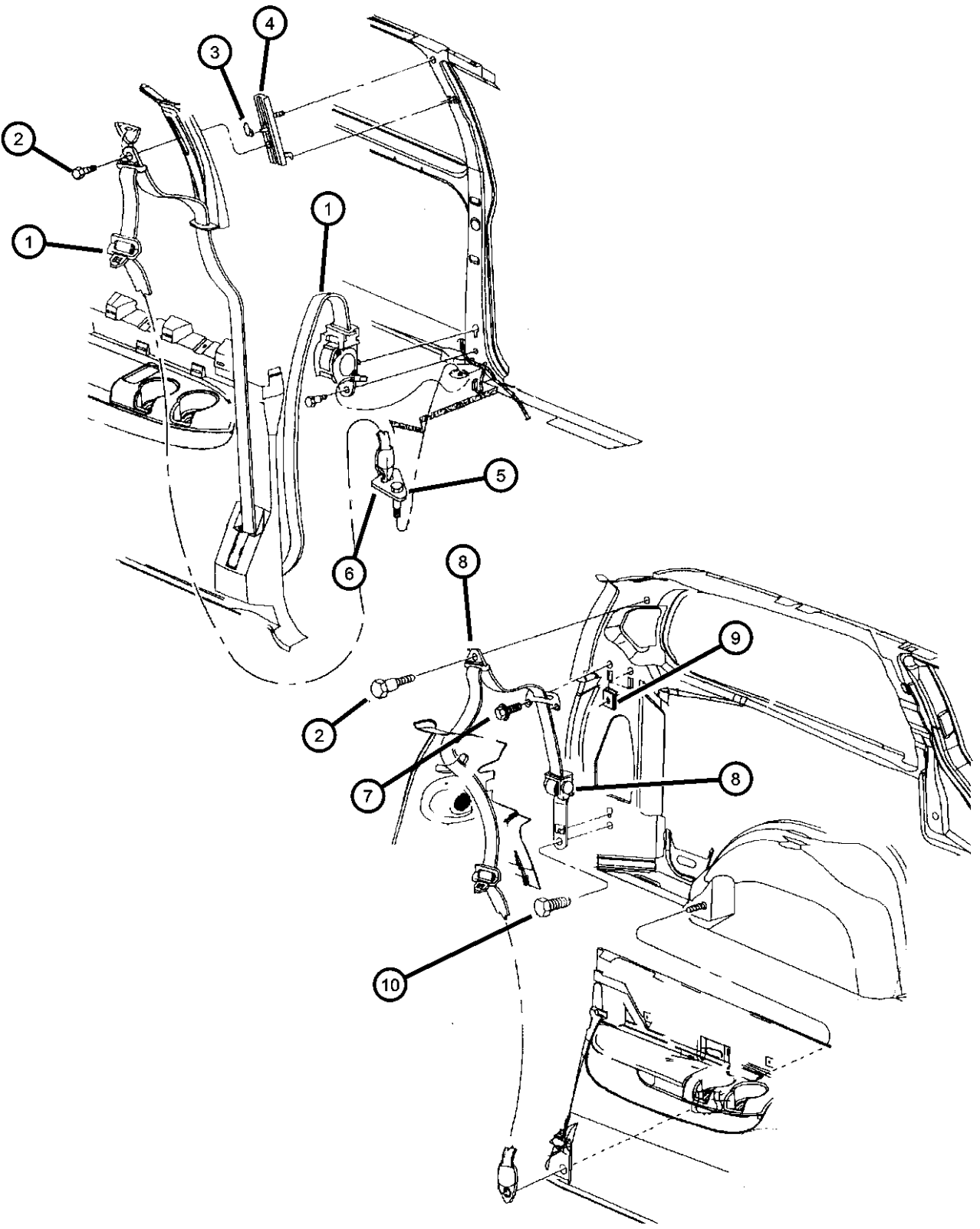
Belts - Rear Outer - Right
Figure IGS-740



ITEM	PART NUMBER	QTY	LINE	SERIES	BODY	ENGINE	TRANS	TRIM	DESCRIPTION
1		1							BRACKET, Seat Belt, (NOT SERVICED)
2	06031484	2							BOLT, Hex Head, .437-20x1.20
3									SEAT BELT, 1st Rear Outer
	04680194	1			52				Right
	04680196	1			53				Right
4	04680126	2							ADJUSTER, Seat Belt Turning Loop, Serviced With Item 5
5	04680418	2							BUTTON, Adjuster
6	06035338	2							SCREW, Hex Head Locking, .437-20x1.695
7	06101712	1							NUT, U, M6x1
8									SEAT BELT, 2nd Rear Outer
	04680218	1			52				
	04680220	1			53				w/o A/C and Rear Heater
	04680330	1			53				w/A/C and Heater
9	06503967	4			52				SCREW AND WASHER, Hex Head, M6x1x25, Web Guide Attaching
10	06031484	2							BOLT, Hex Head, .437-20x1.20
11	06031484	2							BOLT, (NOT SERVICED)
-12									PLUG, Seat Belt Opening
	0HE50SC3	2			52			*O0	Mist Gray, w/Quarter Panel 5 Passenger
	0HE50SK5	2			52			*O0	Taupe, w/Quarter Panel 5 Passenger
	0JR64SC3	1						*O0	Mist Gray, B-Pillar Lower Right
	0JR64SK5	1						*O0	Taupe, B-Pillar Lower Right
	0JR71SC3	1						*O0	Mist Gray, B-Pillar w/Sliding Door
	0JR71SK5	1						*O0	Taupe, B-Pillar w/Sliding Door
-13	04680413	1							TETHER, Child Seat, Australia

AR = use ase required - = Non illustrated part

Belts - Rear Outer - Left
Figure IGS-750

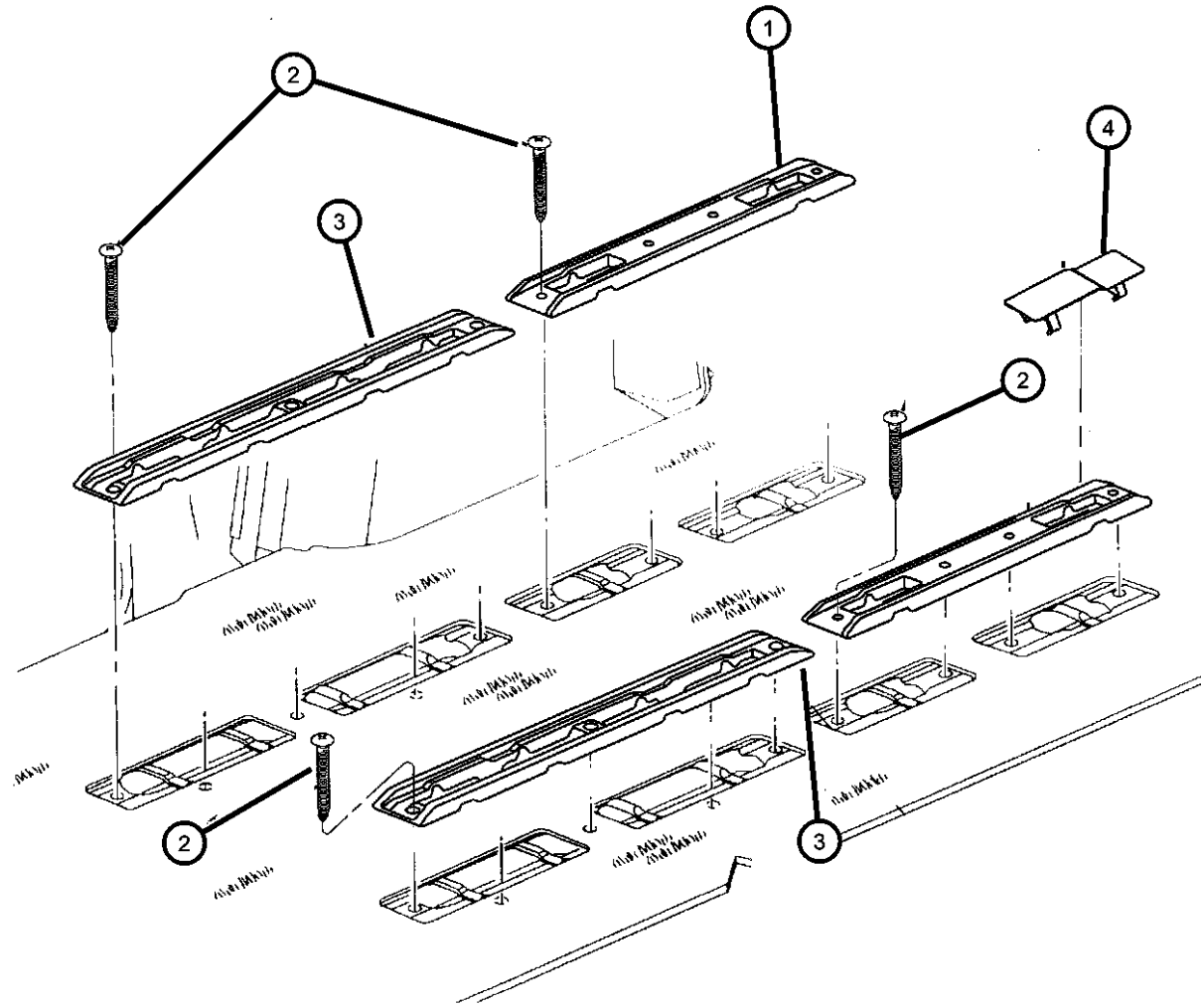


ITEM	PART NUMBER	QTY	LINE	SERIES	BODY	ENGINE	TRANS	TRIM	DESCRIPTION
1									SEAT BELT, 1st Rear Outer
	04680195	1			52				
	04680197	1			53				
2	06035338	2							SCREW, Hex Head Locking, .437-20x1.695, Turn-Loop Attaching
3	04680418	2							BUTTON, Adjuster
4	04680126	2							ADJUSTER, Seat Belt Turning Loop, Serviced With Item 3
5	04680126	2							BOLT, (NOT SERVICED)
6	04680126	2							BRACKET, Serviced With Seat Belt, (NOT SERVICED)
7									SCREW AND WASHER, Hex Head, M6x1x25
	06503967	4			52				Web Guide Attaching
		2			53				Web Guide Attaching
8									SEAT BELT, 2nd Rear Outer
	04680219	1			52				
	04680221	1			53				
9	06101712	1							NUT, U, M6x1
10	06031484	2							BOLT, Hex Head, .437-20x1.20
-11									PLUG, Seat Belt Opening
	0HE50SC3	2			52			*O0	Mist Gray, Quarter Panel 5 Passenger
	0HE50SK5	2			52			*O0	Taupe, Quarter Panel 5 Passenger
	0JR64SC3	1						*O0	Mist Gray, B-Pillar Lower Right
	0JR64SK5	1						*O0	Taupe, B-Pillar Lower Right
	0JR71SC3	1						*O0	Mist Gray, B-Pillar Lower w/Sliding Door
	0JR71SK5	1						*O0	Taupe, B-Pillar Lower w/Sliding

AR = use ase required - = Non illustrated part

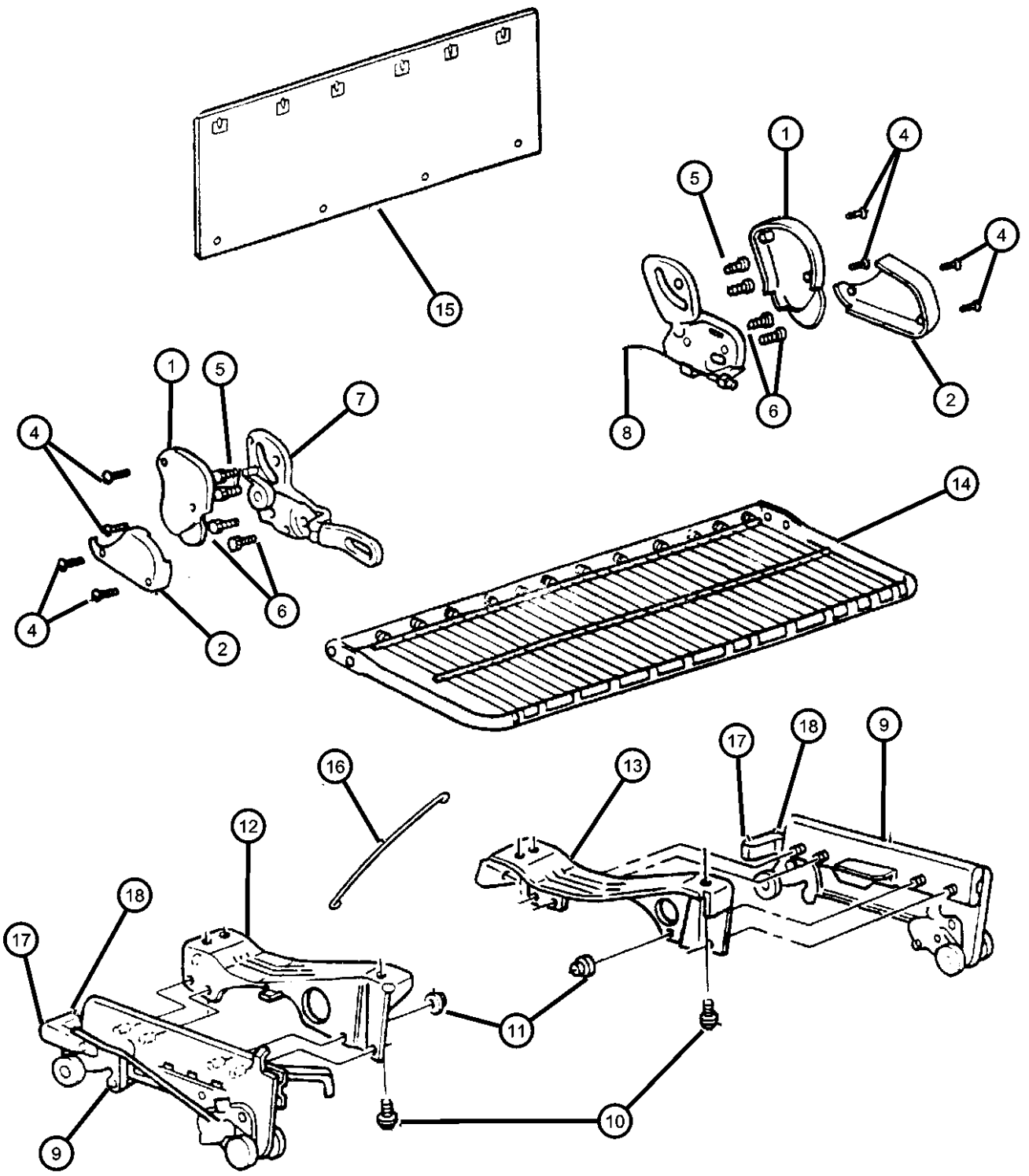
Seat - Rear Attachments - Floor Pan
Figure IGS-810

ITEM	PART NUMBER	QTY	LINE	SERIES	BODY	ENGINE	TRANS	TRIM	DESCRIPTION
1	0LP53SC3	2						*00	ESCUTCHEON, Seat Anchor Mist Gray, Rear
	0LP53SK5	2						*00	Tan, Rear
2	0LP53SK5	2							SCREW, .164-18x1.00, (NOT SERVICED),
									ESCUTCHEON, Seat Anchor
3	0HG44SC3	2			53			*00	ESCUTCHEON, Seat Anchor Mist Gray, w/Quads and 1st Position Seat
	0HG44SK5	2			53			*00	Tan, w/Quads and 1st Position Seat
4	0MS09SC3	1						*00	COVER, Rear Floor Escutcheon Mist Gray, w/Bench Seat, Right
	0MS09SK5	1						*00	Tan, Right
	0HG48SC3	2						*00	Mist Gray



AR = use ase required - = Non illustrated part

Rear Seats - 3 Passenger - Adjusters, Covers, Shields and Attaching Parts
Figure IGS-820



ITEM	PART NUMBER	QTY	LINE	SERIES	BODY	ENGINE	TRANS	TRIM	DESCRIPTION
1									COVER, Recliner Seat, Upper
	0MW44SC3	1						*E7	Mist Gray, Upper Right
		1						*GL	Mist Gray, Upper Right
		1						*YL	Mist Gray, Upper Right
	0MW44SK5	1						*E7	Tan, Upper Right
		1						*GL	Tan, Upper Right
		1						*YL	Tan, Upper Right
		1						*B7	Tan, Upper Right
	0MW45SC3	1						*E7	Mist Gray, Upper Left
		1						*GL	Mist Gray, Upper Left
		1						*YL	Mist Gray, Upper Left
		1						*B7	Mist Gray, Upper Left
	0MW45SK5	1						*E7	Tan, Upper Left
		1						*GL	Tan, Upper Left
		1						*B7	Tan, Upper Left
2									COVER, Recliner Seat, Lower
	0MW42SC3	1						*GL	Mist Gray, Right
		1						*YL	Mist Gray, Right
		1						*E7	Mist Gray, Right
		1						*B7	Mist Gray, Right
	0MW42SK5	1						*GL	Tan, Right
		1						*YL	Tan, Right
		1						*E7	Tan, Right
		1						*B7	Tan, Right
	0MW43SC3	1						*YL	Mist Gray, Left
		1						*B7	Mist Gray, Left
	0MW43SK5	1						*GL	Tan, Left
		1						*YL	Tan, Left
		1						*E7	Tan, Left
		1						*B7	Tan, Left
-3									BUSHING
	04882164	1						*B7	Anti - Rattle 3 Passenger Fixed Seat
		1						*GL	Anti - Rattle 3 Passenger Fixed Seat
4		1							SCREW, 8x1/2 Truss Head, (NOT SERVICED),
5		1							BOLT, Recliner To Cushion, Front Seat, (NOT SERVICED)
6		1							BOLT, Seat Back Attaching (M10-1.5x36), (NOT SERVICED)
7									RECLINER, Seat Back
	04874552	1						*B7	Right
		1						*E7	Right

AR = use ase required - = Non illustrated part

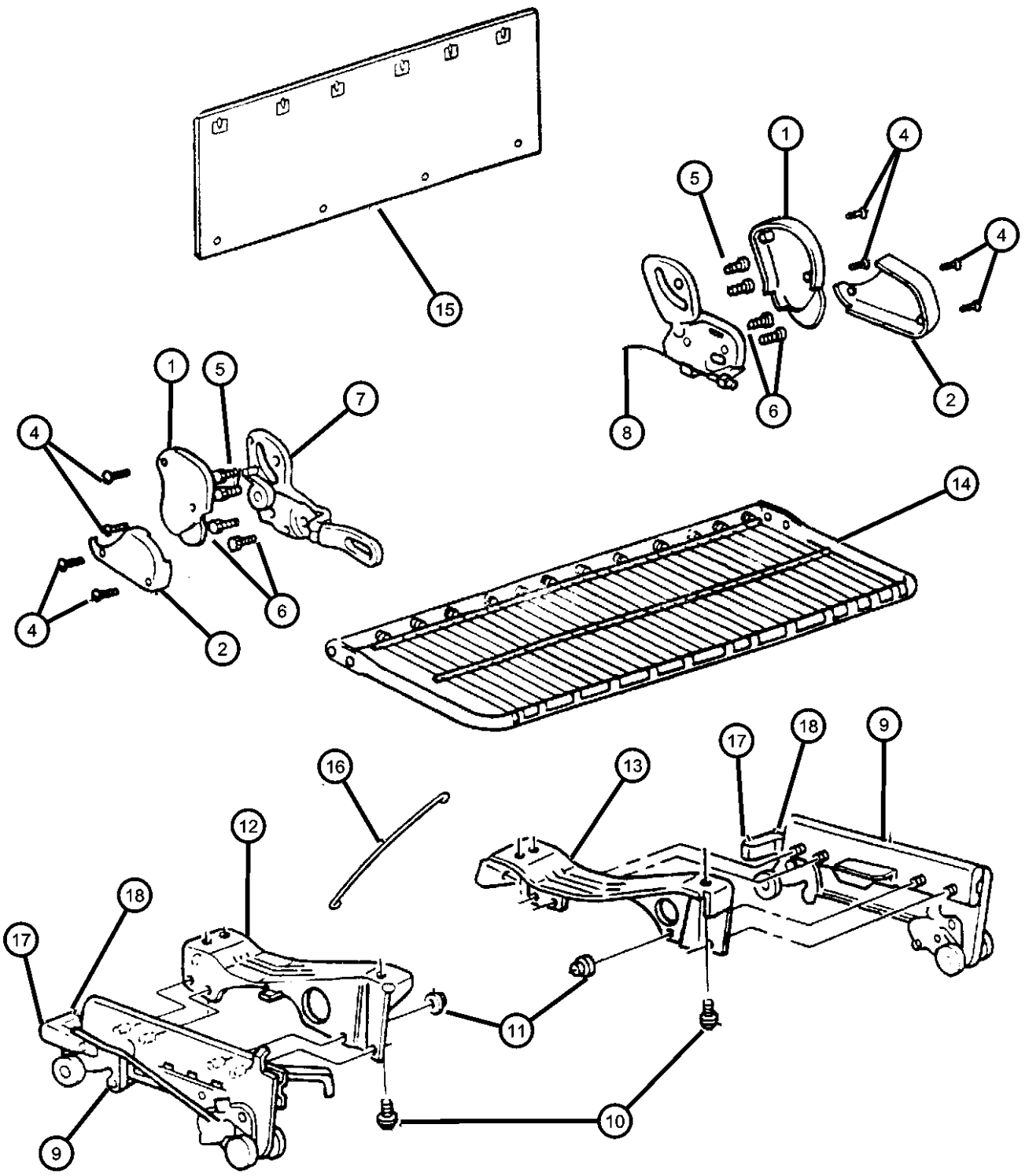
Rear Seats - 3 Passenger - Adjusters, Covers, Shields and Attaching Parts
Figure IGS-820

ITEM	PART NUMBER	QTY	LINE	SERIES	BODY	ENGINE	TRANS	TRIM	DESCRIPTION
		1						*GL	Right
		1						*YL	Right
	04874553	1						*B7	Left
		1						*E7	Left
		1						*GL	Left
		1						*YL	Left
8									CABLE, Recliner
	04797202	1						*GL	
		1						*YL	
9									RISER, Seat
	04874554	1						*B7	Right
		1						*E7	Right
		1						*GL	Right
	04874555	1						*B7	Left
		1						*E7	Left
		1						*GL	Left
		1						*YL	Left
10	04882145	1						*B7	BOLT, Seat, Riser Attaching
11	04882145	1							NUT AND WASHER, (M12 - 1.75), (NOT SERVICED)
12									BRACKET, Cushion to Riser
	04797196	1						*GL	Right
		1						*YL	Right
		1						*E7	Right
		1						*B7	Right
13	04797197	1						*GL	BRACKET, Cushion to RiserLeft
14	04797197	1							SPRING, Service with Complete Cushion, (NOT SERVICED)
15									PANEL, Seat Back, Three Passenger
	0QG97SC3	1						*YL	Mist Gray
	0QG97SK5	1						*YL	Tan
16	04797267	1						*GL	WIRE, Three Passenger Adjuster
17									HANDLE, Seat Riser
	04705906	2	U, Z	H				*B7	Right Hand Drive (China)
		2	U, Z	P				*E7	Right Hand Drive (China)
		2	U, Z	S				*YL	Right Hand Drive (China)
	04874418AB	1						*GL	Right
		1						*YL	Right
		1						*E7	Right
		1						*B7	Right
	04874419AB	1						*GL	Left

AR = use ase required - = Non illustrated part

Rear Seats - 3 Passenger - Adjusters, Covers, Shields and Attaching Parts
Figure IGS-820

ITEM	PART NUMBER	QTY	LINE	SERIES	BODY	ENGINE	TRANS	TRIM	DESCRIPTION
------	-------------	-----	------	--------	------	--------	-------	------	-------------

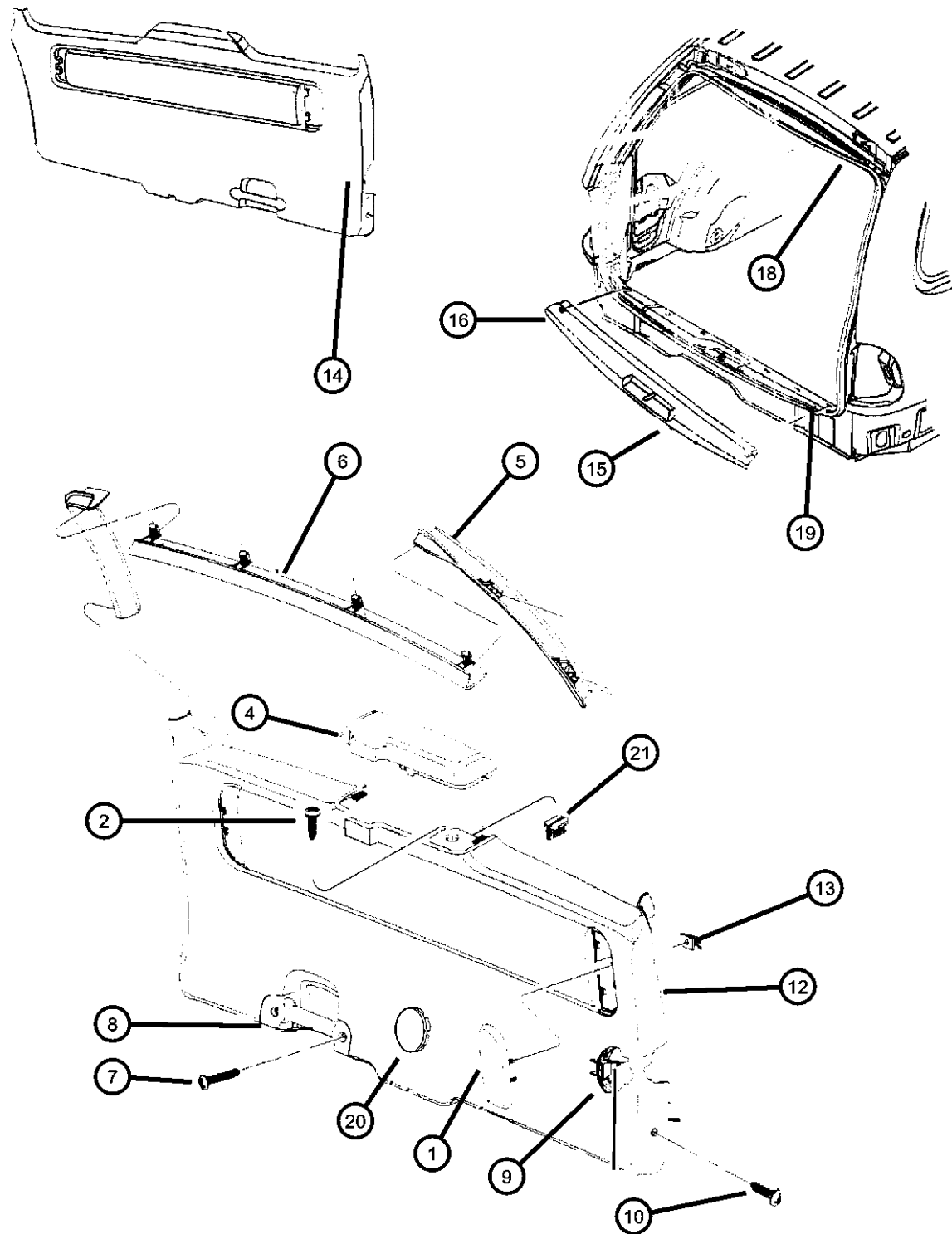


		1							
		1							
		1							
18	04874420	1							
-19	04754714	3							

*YL Left
*E7 Left
*B7 Left
*E7 HANDLE, Latch Release
RETAINER, Push On

AR = use ase required - = Non illustrated part

**Panel - Liftgate - 2 and 3 Passenger
Figure IGS-1010**

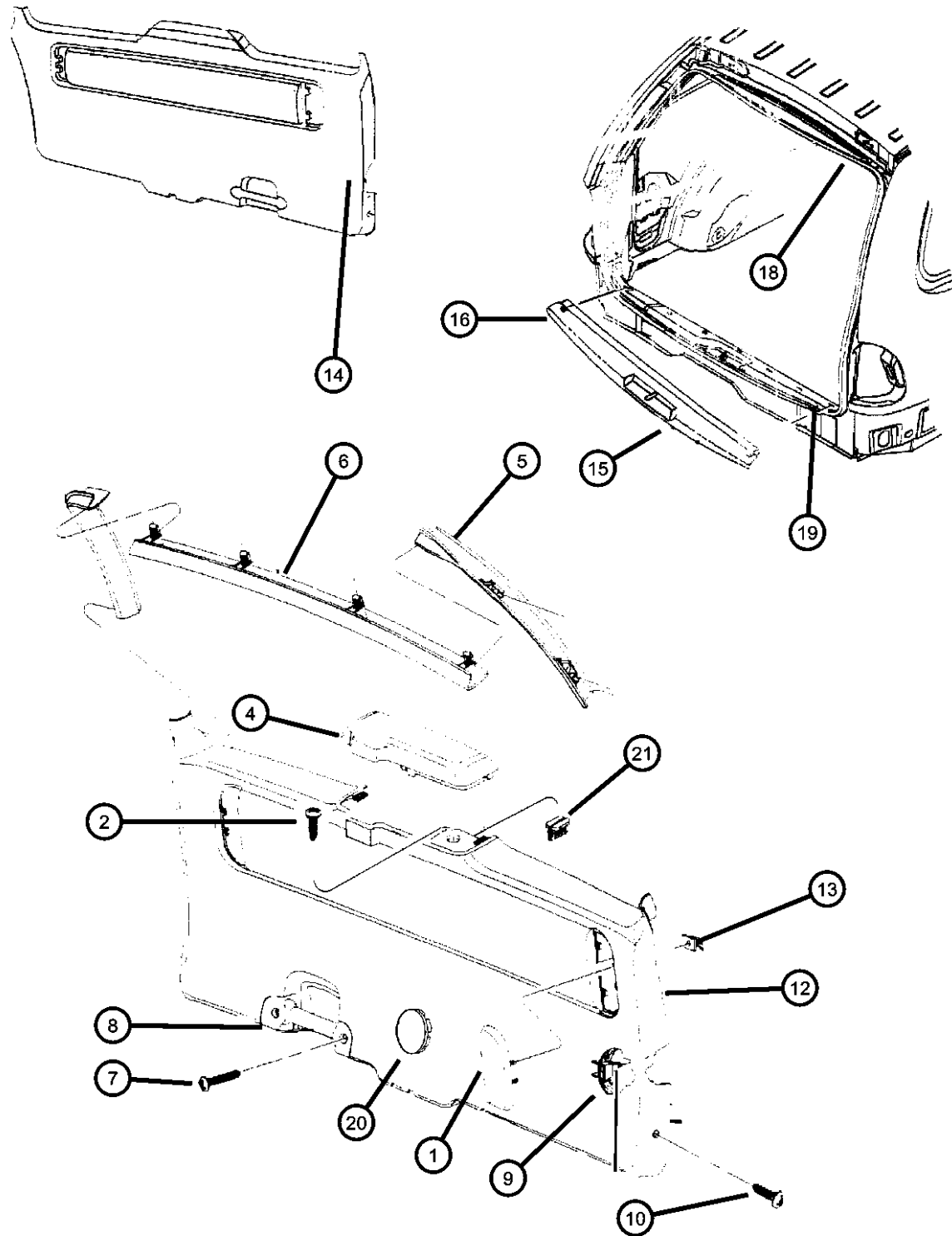


ITEM	PART NUMBER	QTY	LINE	SERIES	BODY	ENGINE	TRANS	TRIM	DESCRIPTION
1									PLUG, Liftgate
	0JE78SC3	2						*00	Mist Gray
	0JE78SK5	2						*00	Taupe
2	06035556	4							SCREW, Pan Head Tapping, .19-16x.625
-3	04278178	2							TAPE, Hole Cover, 50x50x1 mmLiftgate Opening Lower
4	0HL28SK5	1						*00	COVER, High Mounted Stop Lamp, Taupe
5									PANEL, Liftgate Side Trim
	0HR26SK5	1						*00	Taupe, Right
	0HR27SC3	1						*00	Mist Gray, Left
6									PANEL, Liftgate
	0HR24SC3	1						*00	Mist Gray
	0HR24SK5	1						*00	Taupe
7	0HR24SK5	1							SCREW, .19-16x.75, (NOT SERVICED),
8									HANDLE, Door Interior
	0HR28SC3	1						*00	Mist Gray
	0HR28SK5	1						*00	Taupe
9	04754563	1						*00	CLIP, Panel
10	04754563	1							SCREW, .164-18x1.00, Tapping, (NOT SERVICED)
-11	04754328	1							BRACKET, Liftgate
12	0GH34SK5	1						*00	PANEL, Liftgate Lower, Taupe
13	06035401	6				S			NUT, Snap In, .164-18
14	06035401	6							FASTENER, Push On, (NOT SERVICED)
15									PLATE, Liftgate Scuff
	0GG66SC3	1				52		*00	Mist Gray
	0GG66SK5	1				52		*00	Taupe
	0GG67SC3	1				53		*00	Mist Gray
	0GG67SK5	1				53		*00	Taupe
16	06504713	4							CLIP, Molding
-17	06504136	2				53		*00	CLIP, Molding, Rear Header
18									MOLDING, Rear Header
	0GG45SC3	1				53		*00	Mist Gray
	0GG45SK5	1				53		*00	Taupe
	0HR25SC3	1				52		*00	Mist Gray
	0HR25SK5	1				52		*00	Taupe
19	04860196	1							SEAL, Liftgate
20									PLUG, Sliding Door/Liftgate
	0KK36SC3	1				53		*00	Mist Gray

AR = use ase required - = Non illustrated part

Panel - Liftgate - 2 and 3 Passenger
Figure IGS-1010

ITEM	PART NUMBER	QTY	LINE	SERIES	BODY	ENGINE	TRANS	TRIM	DESCRIPTION
------	-------------	-----	------	--------	------	--------	-------	------	-------------



	0KK36SK5	1			53			*O0	Tan
21	06031869	2							NUT, Push, .19

AR = use ase required - = Non illustrated part

Group - SGS

Body Sheet Metal Except Doors

Group - SGS Body Sheet Metal Except Doors

Illustration Title

Group-Fig. No.

Floor Pans

Floor Pan Fig. SGS - 210

Plugs

Plugs Fig. SGS - 310

Front Fenders

Front Fender and Shield Fig. SGS - 410

Hood & Hood Release

Hood and Hinge Fig. SGS - 510

Hood Release and Related Parts Fig. SGS - 520

Cowl and Dash Panel

Cowl and Dash Panel Fig. SGS - 610

Glass and Rear View Mirror

Glass, Rear Quarter Fig. SGS - 710

Aperture Panel

Body Front Pillar and Aperture Panel Fig. SGS - 810

Quarter Panel and Pillar

Quarter Panel With Sliding Door Fig. SGS - 910

Roof Panels

Roof Panel Fig. SGS - 1110

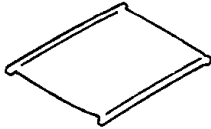
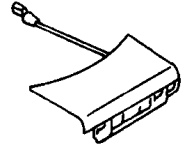
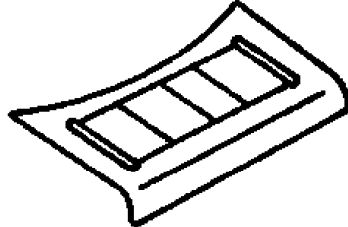
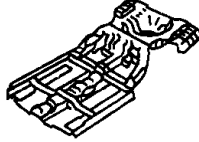

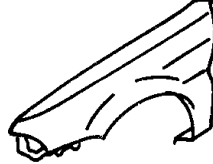
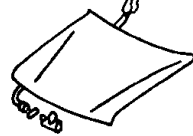


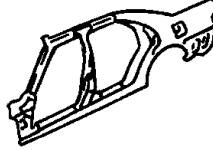
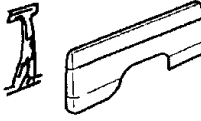
Liftgate Panel

Liftgate Panel Fig. SGS - 1310

Liftgate Attachments Fig. SGS - 1320

Luggage Rack

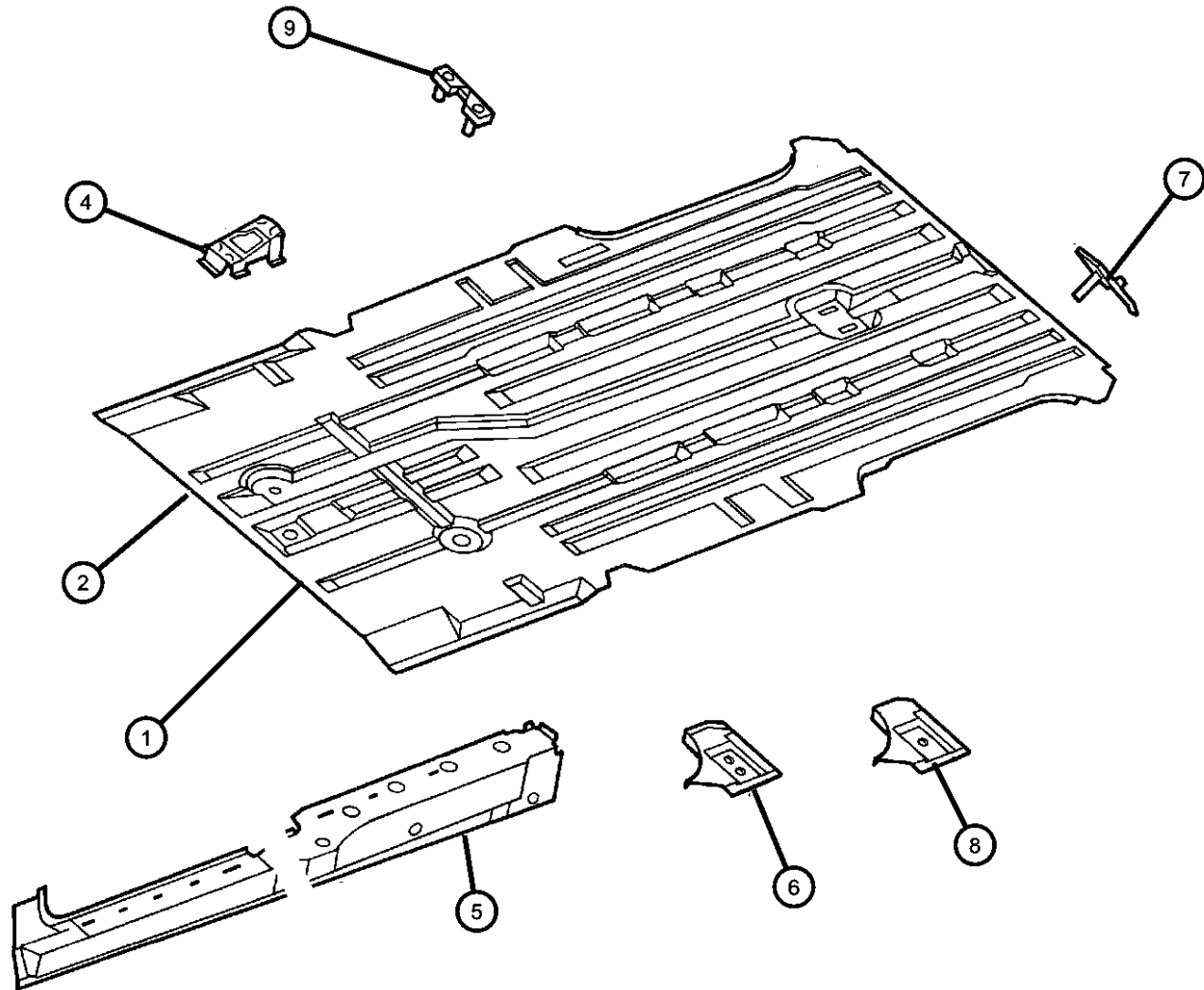
Luggage Rack Fig. SGS - 1610

<p>SGS-1100 Roof Panels</p> 	<p>SGS-1300 Liftgate Panel</p> 	<p>SGS-1600 Luggage Rack</p> 	<p>SGS-200 Floor Pans</p> 
<p>SGS-300 Plugs</p> 	<p>SGS-400 Front Fenders</p> 	<p>SGS-500 Hood & Hood Release</p> 	<p>SGS-600 Cowl and Dash Panel</p> 
<p>SGS-700 Glass and Rear View Mirror</p> 	<p>SGS-800 Aperture Panel</p> 	<p>SGS-900 Quarter Panel and Pillar</p> 	

**Floor Pan
Figure SGS-210**

ITEM	PART NUMBER	QTY	LINE	SERIES	BODY	ENGINE	TRANS	TRIM	DESCRIPTION
------	-------------	-----	------	--------	------	--------	-------	------	-------------

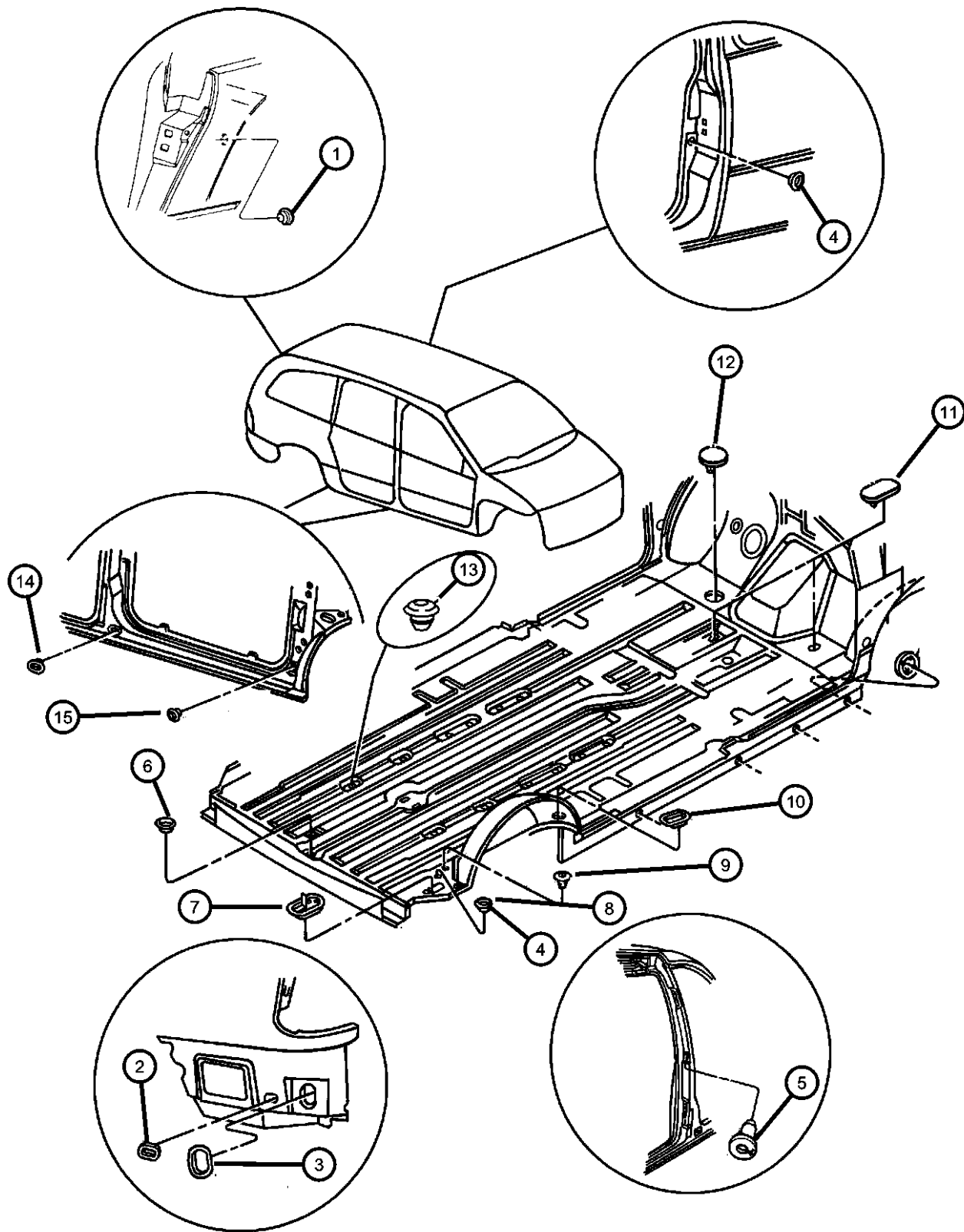
NOTE:
SALES CODE:
GKD = DOOR - SLIDING DRIVER SIDE



1									PAN, Floor
	04716986AB	1			52				
	04716987	1			53				
2	05012653AA	1			52				PAN PACKAGE, Floor
-3									SILENCER, Floor Pan
	04754145	1			52				
	04754147	1			53				
	04754421AC	1	U, Z						
4	04716677	1							BRACKET, Shifter
5									PANEL PACKAGE, Body Side Sill
	04882314	1			52				Right
	04882315	1							Without Sliding Door, (-GKD), Model 52, Left
	04882323	1			52				With Sliding Door, (GKD), Left
	05003608AA	1			53				Right
	05003613AA	1			53				With Sliding Door, (GKD), Left
6									BRACKET, Suspension Hanger
	04716320	1			53				Rear Right
	04716321	1			53				Rear Left
	04716323	1			52				Rear Left
7	04716518	1			52				BRACKET, Wheel House, Jack Stowage Mounting, Inner
8	04716718	1			53				BRACKET AND HINGE, Floor Pan Rear Suspension
9	04705794	12							STRIKER, Seat Retention, w/Bolt - For Rear Seat Retentions
-10	04716378	4							REINFORCEMENT, Seat Belt Swivel

AR = use ase required - = Non illustrated part

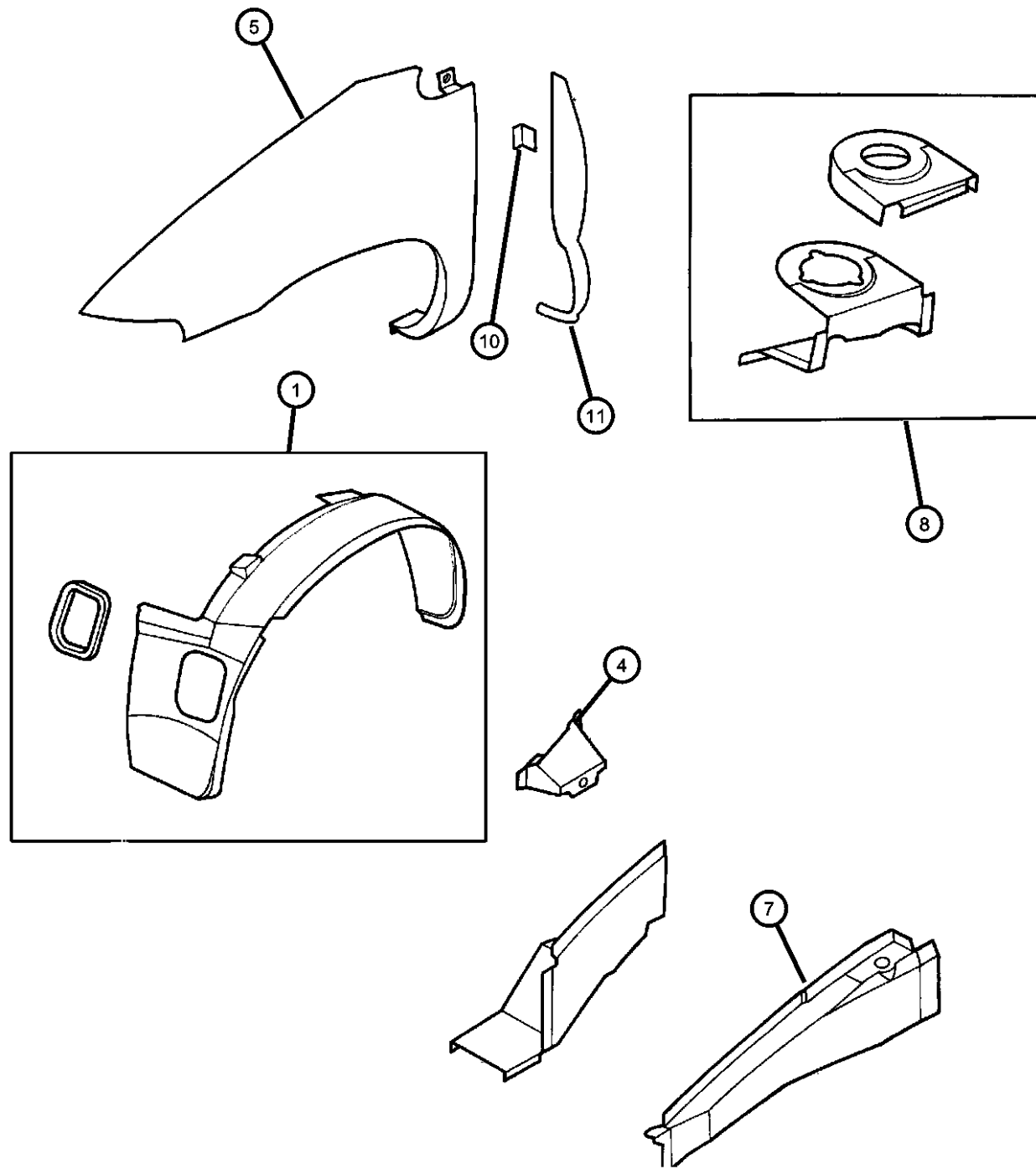
Plugs
Figure SGS-310



ITEM	PART NUMBER	QTY	LINE	SERIES	BODY	ENGINE	TRANS	TRIM	DESCRIPTION
1	04674441	1							PLUG, Body, .75 Diameter
2	06004507	2							PLUG, Body, 25.4mm x 38.1mm
3	04716648	2			53				PLUG, Body Side Aperture
4	02860332	2							PLUG, Anti-Rattle
5	04717376	1							SEAL, Catch
6	04780194	1							PLUG
7	04351304	1			53				PLUG, A/C Plumbing Access
8	02860332	2							PLUG, Anti-Rattle
9	04278178	2							TAPE, Hole Cover, 50x50x1 mm
10	04696947	1			53				PLUG, Front Side Rail
11	04646971	1							PLUG, Floor Pan Frt Flr Pan Man Shift Drain
12	04646971	1							PLUG, Floor Pan
13	04083788	12							PLUG, Underbody Access
14	04440294	1							PLUG, Rear Fascia
15	04780194	1							PLUG
-16	05256705	2							PLUG, Body Side Aperture
-17	04716723	2							PLUG, Without ABS Brakes
-18	03726319	AR							PLUG, Floor Pan, 44x61
-19	04512495	3							PLUG, Spare Tire Bracket
-20	06030773	1	Z						PLUG, Body, 2.25 Diameter
-21	04586052	1							PLUG
-22	04707764	1							PLUG, ABS Grommet Hole
-23	04586052	1							PLUG
-24	04586052	1							PLUG
-25	04860223	2							PLUG, Shock Tower Hole

AR = use ase required - = Non illustrated part

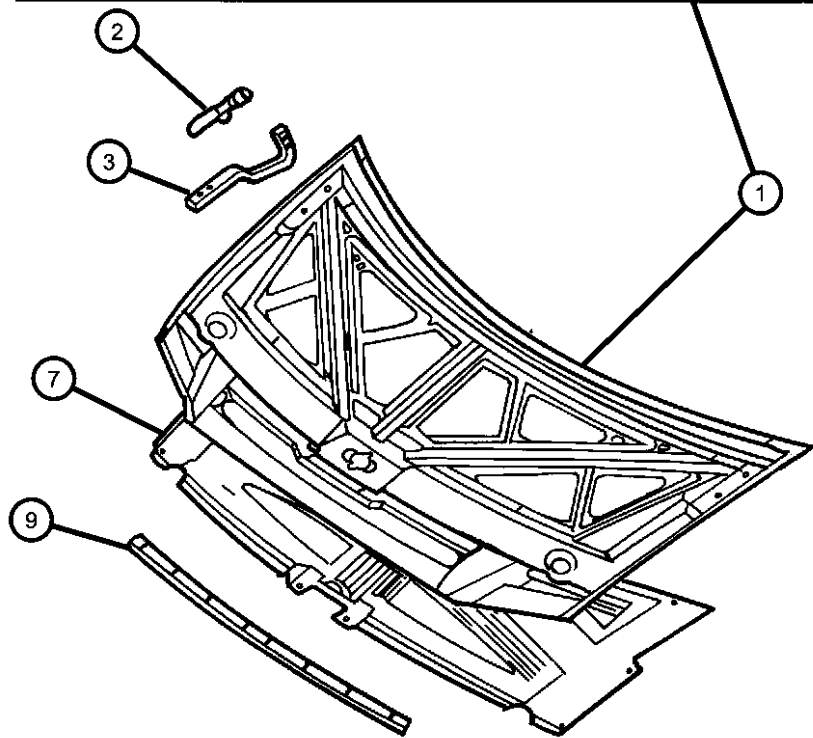
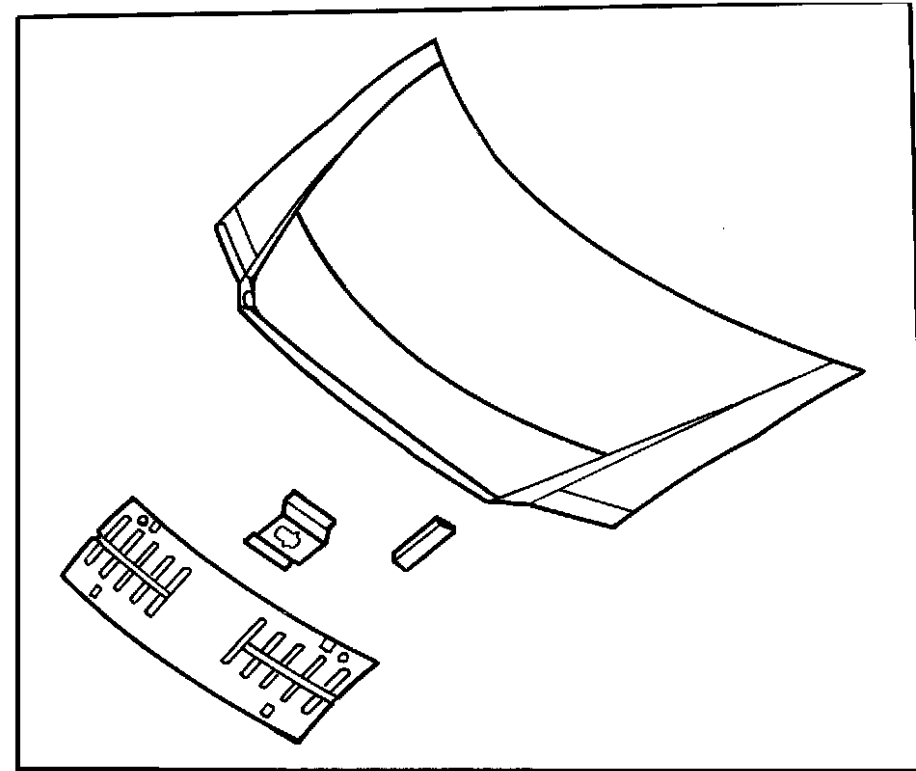
Front Fender and Shield
Figure SGS-410



ITEM	PART NUMBER	QTY	LINE	SERIES	BODY	ENGINE	TRANS	TRIM	DESCRIPTION
1	04883798AA	1							SHIELD, Wheelhouse Right
	04883799AA	1							Left
-2	04860198	5							FASTENER, M5x1.60x34.15
-3	04860291	1							SHIELD, Accessory Drive
4									REINFORCEMENT PACKAGE, Fender Shield
	04797858	1							Fender Panel to Radiator Closure, Right
	04797859	1							Fender Panel to Radiator Closure, Left
5									FENDER PACKAGE, Front
	04882292	1							Right
	04882293	1							Left
-6	04860237	1							SILENCER, Fender Side, Shield, Right
7									BEAM PACKAGE, Front Fender Shield
	04797904	1							Right
	04797905	1							Left
8									TOWER PACKAGE, Front Suspension
	04886046AA	1							Right
	04886047AA	1							Left
-9									PLUG, Shock Tower Hole
	04860222	2							Right
	04860223	2							Left
10	04716164	2							BRACKET, Body Side Aperture
11									SILENCER, Cowl Side
	04716344	1							Right, Fender
	04716345	1							Left, Fender
-12	06504216	2							STUD, 2 End Same Tapping, M6x1.00x43.00, Fender Splash to Fender to Body Side Aperature
-13	02811825	1							PLUG, Splash Shield

AR = use ase required - = Non illustrated part

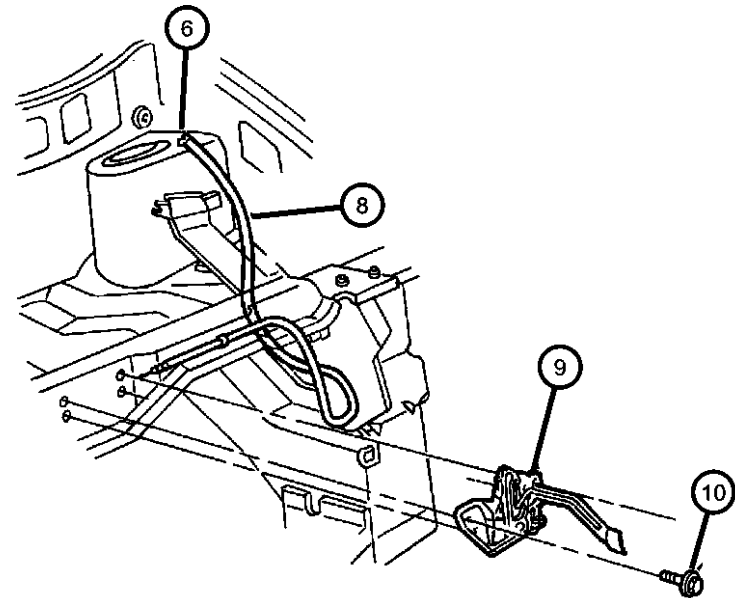
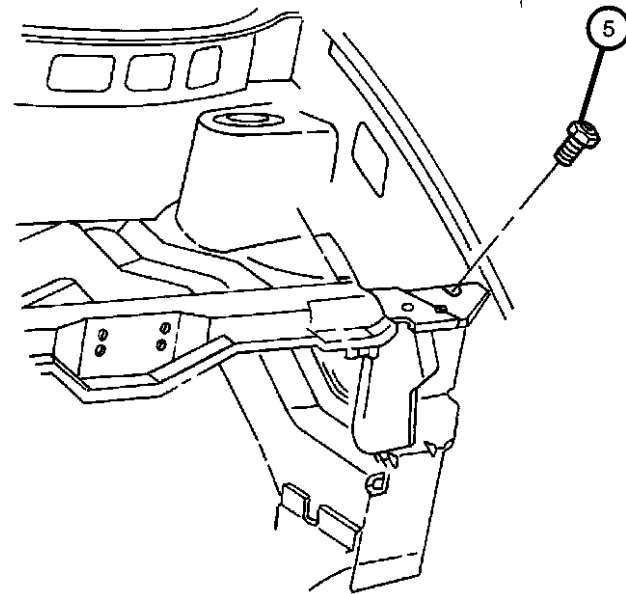
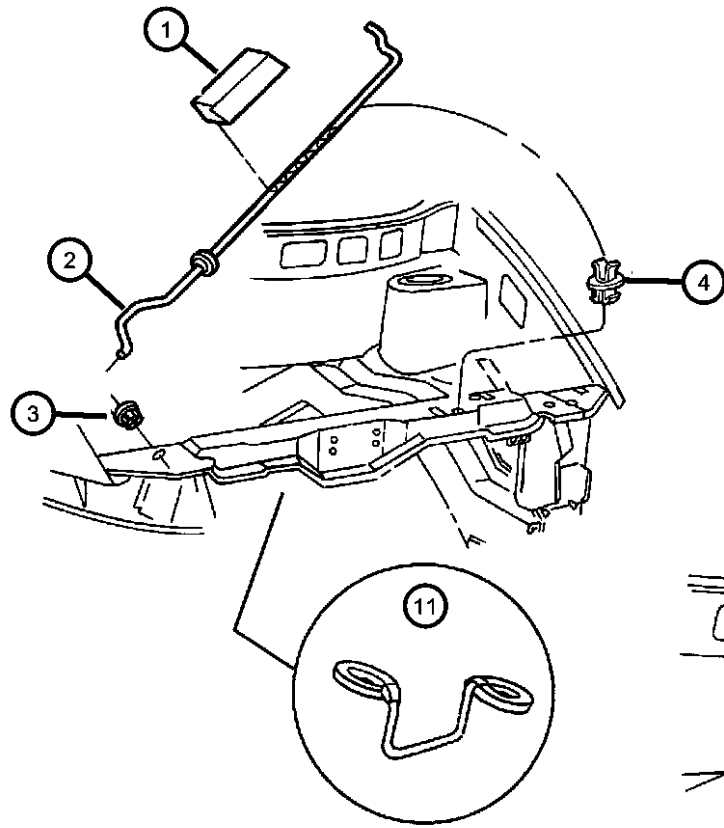
Hood and Hinge
Figure SGS-510



ITEM	PART NUMBER	QTY	LINE	SERIES	BODY	ENGINE	TRANS	TRIM	DESCRIPTION
1	04674627	1							HOOD
2									HINGE, Hood
	04716450	1							Body Half To Hood, Right
	04716451	1							Body Half To Hood, Left
3									HINGE, Hood
	04797816	1							Hood Half, Right
	04797817	1							Hood Half, Left
-4	06502674	4							SCREW, Hex Flange Head Pilot, M6x1x30
-5	06503617	2							SCREW, Hex Head, M8x1.25x24
-6	04716452	2							BUSHING, Hood Hinge Pivot
7									SILENCER, Hood
	04716832	1							
	04860235	1							w/Turbo
-8	06504135	14							PIN, Push In, M6.3x15 LG, Hood Silencer
9	04716733	1							SEAL, Hood
-10	04716068	1							STRIKER, Hood Latch
-11									END BLOCKER, Hood To Cowl
	04675366	1							Right
	04675367	1							Left

AR = use ase required - = Non illustrated part

Hood Release and Related Parts
Figure SGS-520

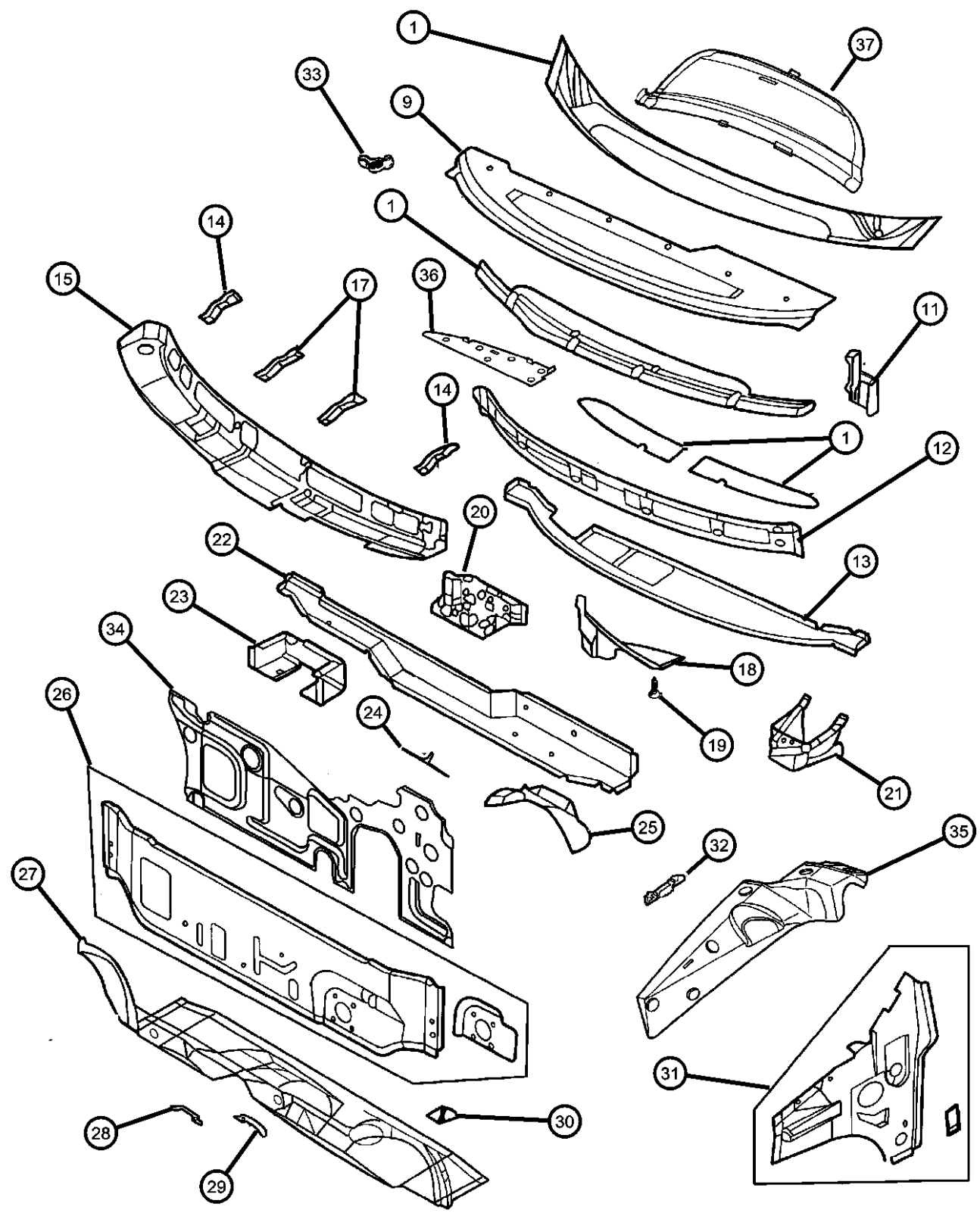


ITEM	PART NUMBER	QTY	LINE	SERIES	BODY	ENGINE	TRANS	TRIM	DESCRIPTION
1	05256748	1							ISOLATOR, Hood Prop Rod
2	04674725	1							ROD, Hood Prop
3	04716486	1							BUSHING, Hood Prop Rod Pivot
4	J4007456	1							CLIP, Prop Rod
5	04103165	2							BUMPER, Hood, Crossmember To Hood Adjust
6	06503794	2							CLIP, M6.3x11.2Hood Rel Cable
-7	06504948AA	1							CLIP, Cable To Fender Hood Release
8									RELEASE, Hood Latch
	0LP62RC3	1						U	Mist Gray, R.H.D., Cable
	0LP62RK5	1						U	Taupe, R.H.D., Cable
	0KL92SC3	1						C	Mist Gray, A.W.D., Cable
	0KL92SK5	1						C	Taupe, A.W.D., Cable
9	04797979	1							LATCH, Hood, Safety Catch, Hood Body
10	06504528	2							SCREW AND WASHER, Hex Head, Hood Latch Body
11	04716068	1							STRIKER, Hood Latch

AR = use ase required - = Non illustrated part

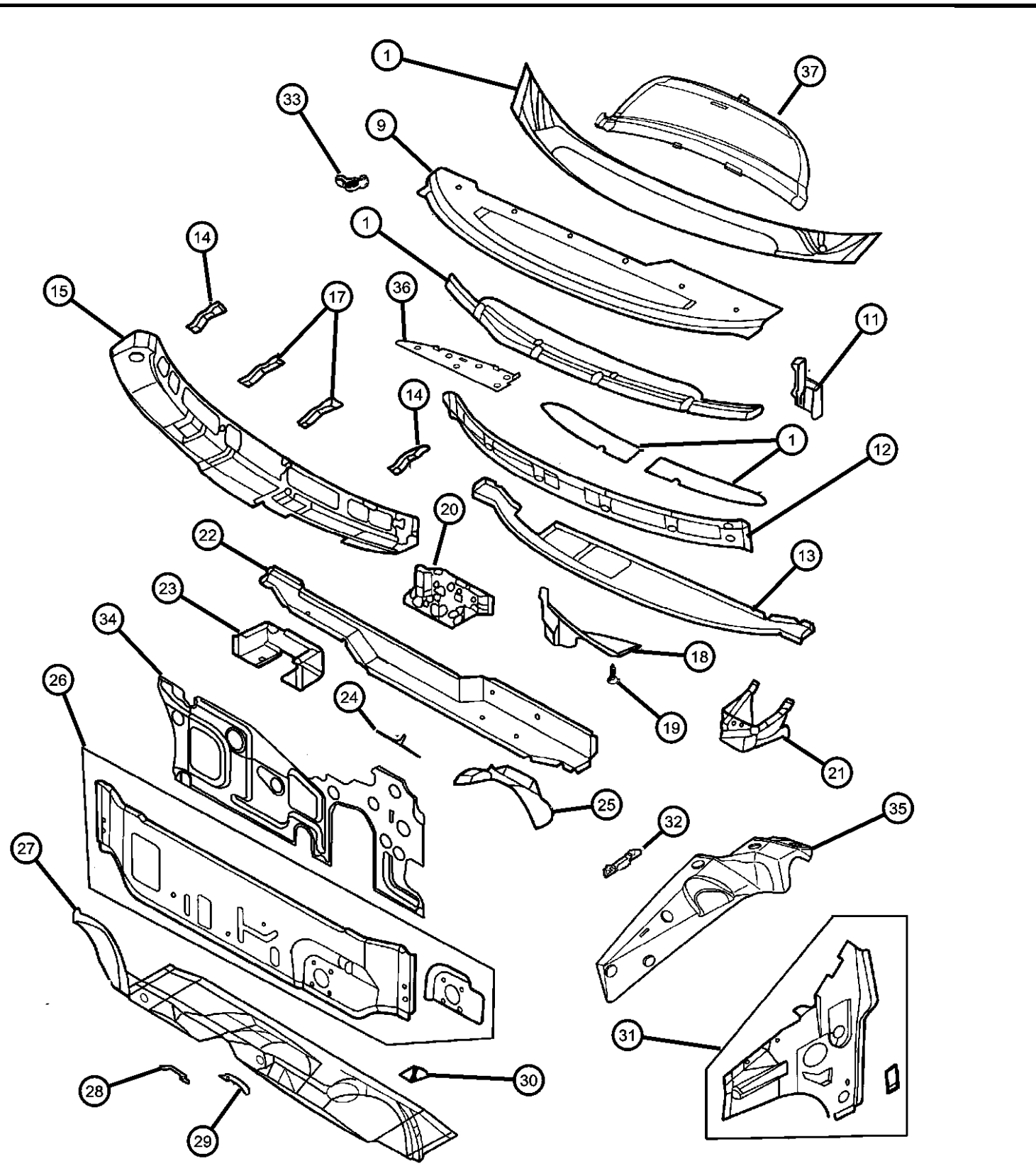
**Cowl and Dash Panel
Figure SGS-610**

ITEM	PART NUMBER	QTY	LINE	SERIES	BODY	ENGINE	TRANS	TRIM	DESCRIPTION
1	04716284	1							PANEL, Cowl Top, Includes Weather Strip
-2	04716288	1							ISOLATOR, Cowl Plenum Grill To Windshield
-3	04717244	1							WEATHERSTRIP, Cowl Plenum Grille to Hood, To Hood
-4	04678387	1	C, Y						SILENCER, Cowl Plenum Panel Upper, Upper
-5	04716758	1	U, Z						SILENCER, Dash Panel
	04716943	1	C		52				
		1	C		53				
		1	Y		52				
		1	Y		53				
-6	05003948AA	1							DEADENER, Cowl Grille
-7	06032584	12							SCREW, Pan Head, .19-16x.75
-8	06504552	2							NUT, Plastic, Plastic Trough At Dash
9	04860169	1	U, Z						PANEL, Cowl Plenum Upper
-10	04897821AA	1	U, Z						PANEL, Cowl And Plenum Lower
	04897822AA	1	U, Z						Upper
11									BRACE, Cowl Plenum To Cowl Side Right
	04674618	1	C, Y						Left
	04674619	1	C, Y						
12	04716599	1							REINFORCEMENT, Cowl Plenum, Upper
13									SUPPORT, Cowl Plenum Upper
	04716018	1							R.H.D.
	04716544	1	U, Z						
14	04716081	1							BRACE, Cowl Grille, Support and Wiper Mount Outboard
15	04716051	1							SUPPORT, Cowl Grille
-16	04675359	1							WEATHERSTRIP, Hood to Cowl
17									BRACE, Cowl Grille Support Right
	04717152	1							Left
	04717153	1							
18	04674653	1							PANEL, Cowl
19	04716795	1							SEAL, Cowl, With Hose and Grommet
20	04716314	1							BRACKET, Steering Column, Mounting
21	04686093	1							BRACKET, Junction Block, And Body Controller
22									REINFORCEMENT, Dash Panel Belt
	04674652	1							



AR = use ase required - = Non illustrated part

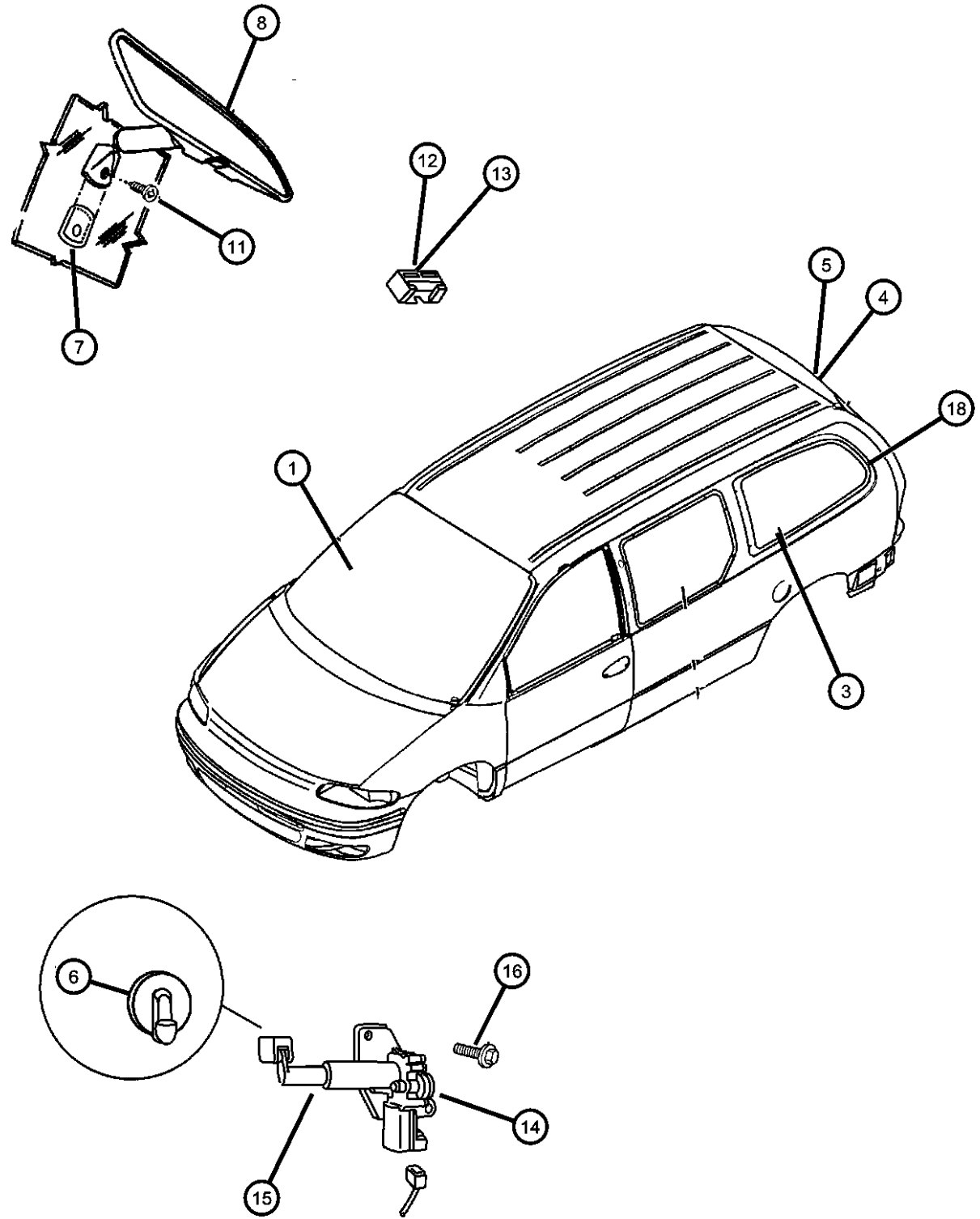
**Cowl and Dash Panel
Figure SGS-610**



ITEM	PART NUMBER	QTY	LINE	SERIES	BODY	ENGINE	TRANS	TRIM	DESCRIPTION
	04716545	1	U, Z						R.H.D.
23	04716446	1							SUPPORT, Steering Column, Dash Panel Belt Reinforcement Steering Column Mounting
24	04716686	1							REINFORCEMENT, Pedal Bracket
25	04674800	1							PLATE, Air Bag Module, Mounting
26	04716583	1							PANEL, Dash, Upper, Upper
27									PANEL, Dash, Lower
	04716540	1	U, Z						Lower
	04860110	1							Lower
28	04716318	1	C, Y						BRACKET, Dash Panel Heat Shield
29	04716510	1	C, Y						BRACKET, Dash Panel Heat Shield, Dash Panel Instrument Panel and Heat Shield Mounting
30	04716601	1	C, Y						REINFORCEMENT, Instrument Panel
31	04797812	1							PANEL PACKAGE, Cowl Side
32									BRACKET, Fender to Cowl Grille
	04860200	1							Right
	04860201	1							Left
33	06505149AA	4							NUT, Push On, M6
34	04716840	1	C, Y						PANEL, Dash Upper
35	04716854	1	C, Y						PANEL, Cowl Plenum Lower
36	04716851	1	C, Y						PANEL, Cowl Plenum Lower
37									PANEL, Dash Panel Wheelhouse
	04716846	1	C, Y						Right
	04716847	1	C, Y						Left
-38	04734034	1							GROMMET

AR = use ase required - = Non illustrated part

Glass, Rear Quarter
Figure SGS-710

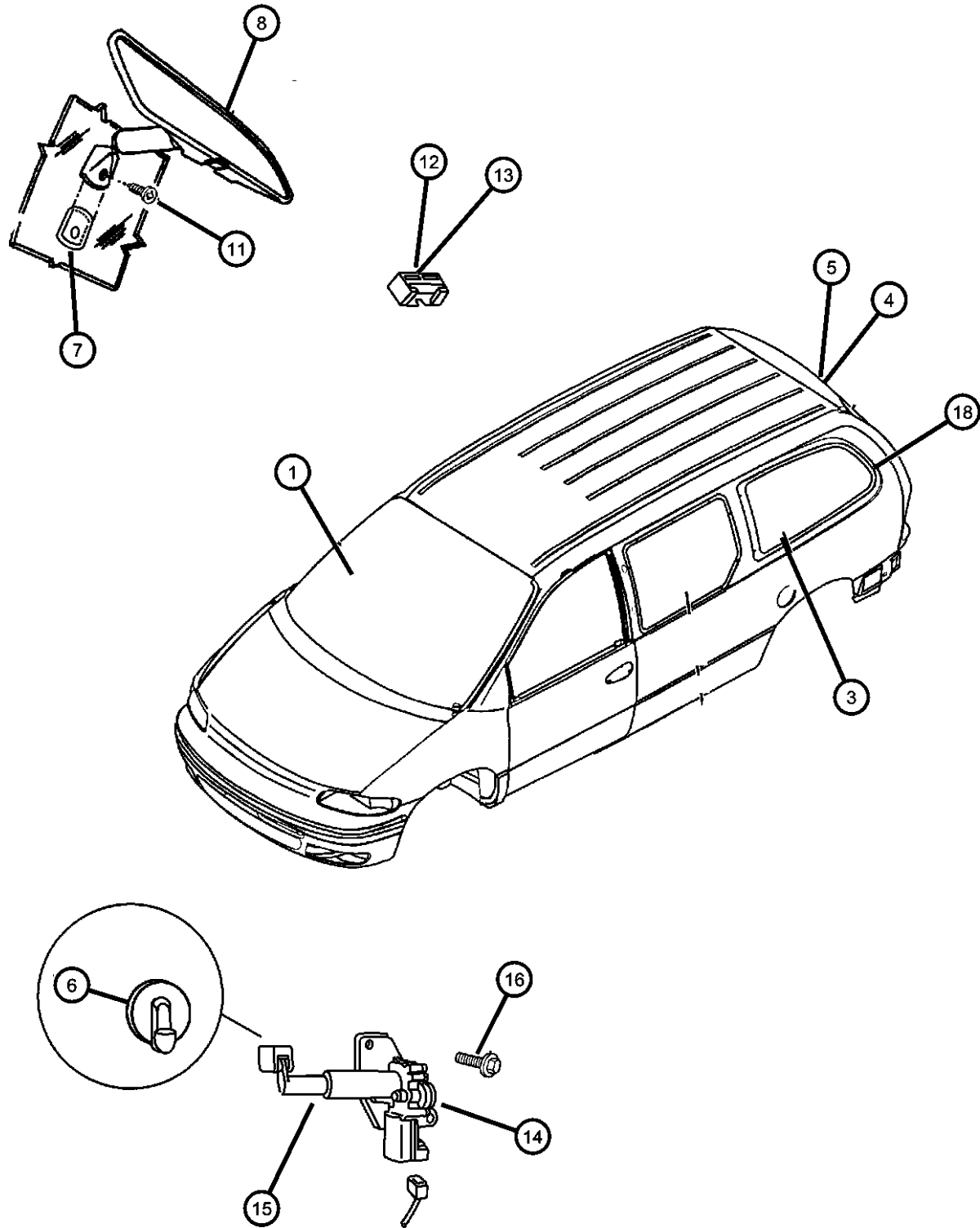


ITEM	PART NUMBER	QTY	LINE	SERIES	BODY	ENGINE	TRANS	TRIM	DESCRIPTION
1	04716868	1							WINDSHIELD
-2	04615722	1							LABEL, Child Protection Lock, English
3									GLASS, Quarter
	04675750	1			52				Tint, Manual, Right
	04675751	1			52				Tint, Manual, With Left Sliding Door, Left
	04675752	1			52				Tint, Power, Right
	04675753	1			52				Tint, Power, With Left Sliding Door, Left
	04675802	1			53				Tint, Power, Right
	04675803	1			53				Tint, Power, With Left Sliding Door, Left
	04675804	1			53				Tint, Manual, Right
	04675805	1			53				Tint, Manual, With Left Sliding Door, Left
	04717176	1			52				Sunscreen, Manual, Right
	04717177	1			52				Sunscreen, Manual, With Left Sliding Door, Left
	04717182	1			52				Sunscreen, Power, Right
	04717183	1			52				Sunscreen, Power, With Left Sliding Door, Left
	04717624	1			53				Sunscreen, Manual, Right
	04717625	1			53				Sunscreen, Manual, With Left Sliding Door, Left
	04717626	1			53				Sunscreen, Power, Right
	04717627	1			53				Sunscreen, Power, With Left Sliding Door, Left
4	04716089	1							BACKLITE, Tint, Heated, Liftgate
5	04860124	1							GLASS PACKAGE, Liftgate, Solar, Heated
6	04860124	1							RETAINER, Quarter Window, (NOT SERVICED)
7	04054098	1							BUTTON, Rear View Mirror
8	04520336	1							MIRROR, Inside Rear View, Prismatic
-9	55154990	1							MIRROR, Inside Rear View, Electric
-10	55154990	1							COVER, Rear View Mirror Wire, (NOT SERVICED)
11	06031094	1							SCREW, Pan Head Tapping, .19-16x.375
12	04136978	AR							SPACER, Windshield
13	04860370AA	2							SPACER
14									MOTOR, Window Regulator
	04874114	1							Right
	04874115	1							Left
15									ACTUATOR, Quarter Vent Window
	04874104	1							Right

AR = use ase required - = Non illustrated part

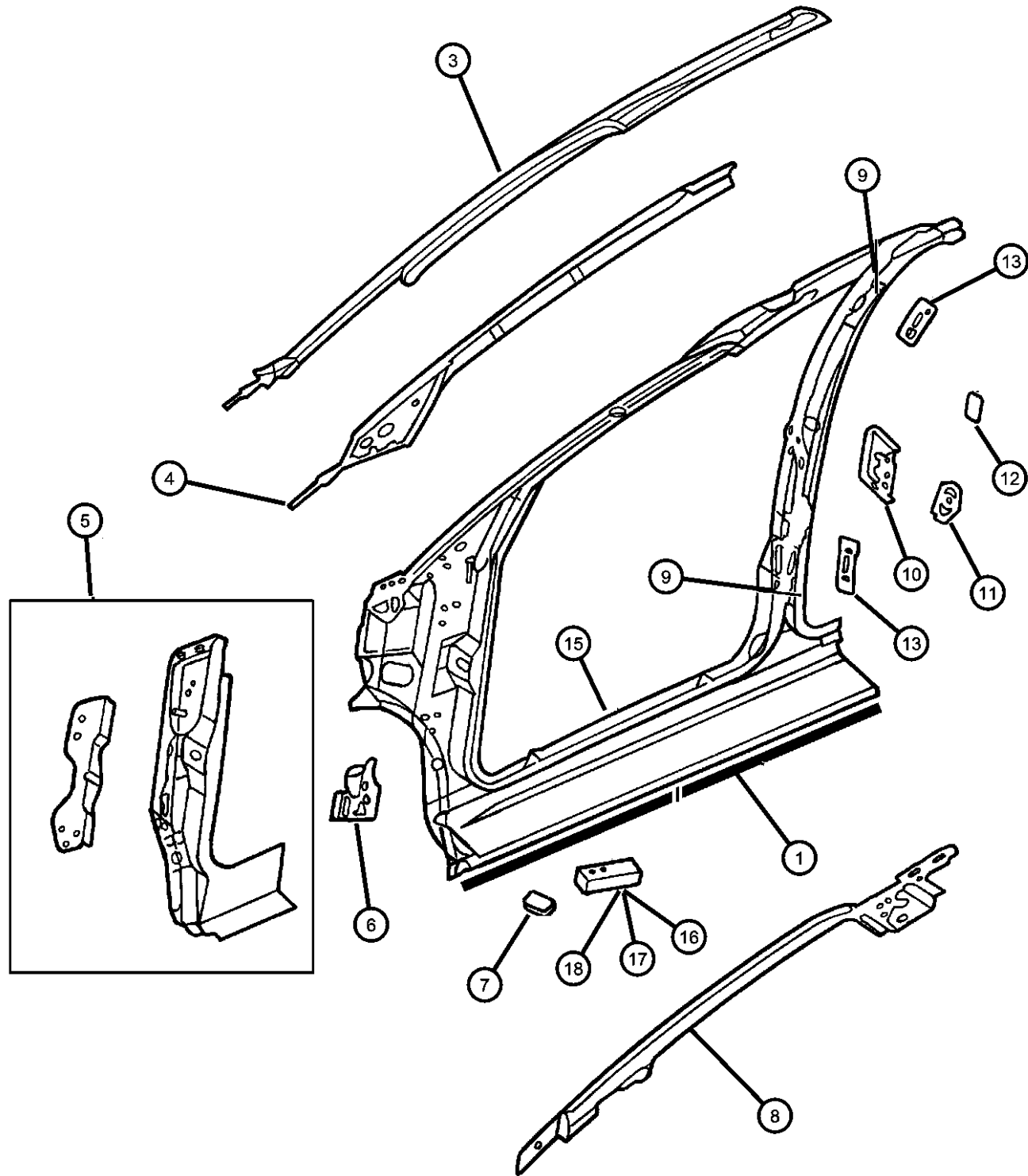
Glass, Rear Quarter
Figure SGS-710

ITEM	PART NUMBER	QTY	LINE	SERIES	BODY	ENGINE	TRANS	TRIM	DESCRIPTION
	04874105	1							Left
16	06503568	4							SCREW AND WASHER, Hex Head Tapping, M16x1x17
-17	06501038	4							NUT AND WASHER, Hex Nut-Coned Washer, M6 x 1.00
18									WEATHERSTRIP, Rear Aperture Panel Glass
	04675364	1			52				Glass Panel, Right
	04675365	1			52				Glass Panel, Left
	04675540	1			53				Glass Panel, Right
	04675541	1			53				Glass Panel, Left
-19	04717243	1							COVER, Mirror, Wire(s) Automatic Mirror Day/Night



AR = use ase required - = Non illustrated part

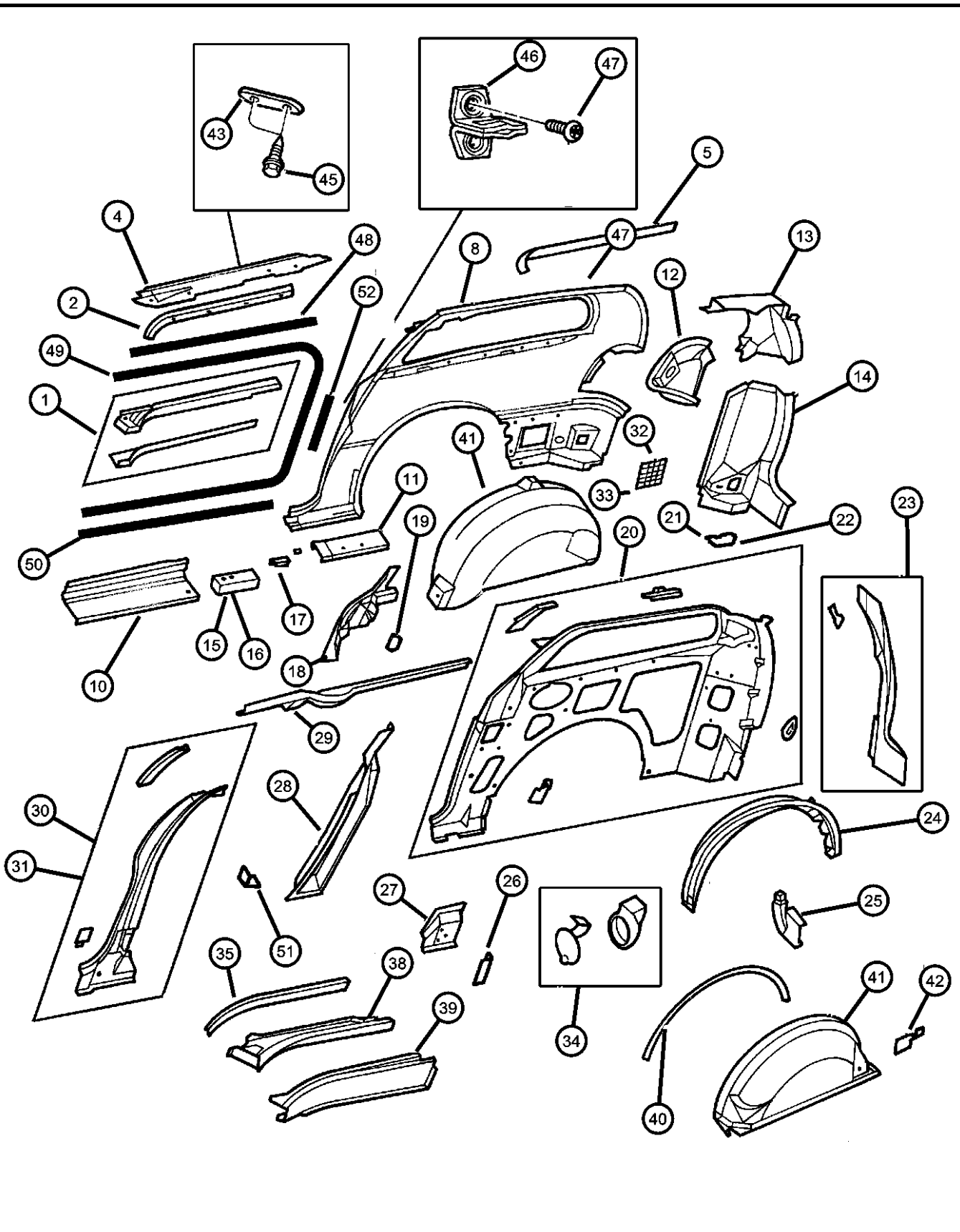
Body Front Pillar and Aperture Panel
Figure SGS-810



ITEM	PART NUMBER	QTY	LINE	SERIES	BODY	ENGINE	TRANS	TRIM	DESCRIPTION
1									PANEL PACKAGE, Body Side Aperture Front
	04874456	1							Right
	04874457	1							Left
-2	04278178	2							TAPE, Hole Cover, 50x50x1 mm
3									PANEL, A Pillar
	04674840	1							Right
	04674841	1							Left
4									FRAME, Windshield Side
	04674694	1							Right
	04674695	1							Left
5									REINFORCEMENT, Jacking
	04716374	1							Right
	04716375	1							Left
6	04716602	1							TAPPING PLATE, Door Hinge, FrontRight
7	04314277	4							PLATE, Jack Locator
8									FRAME, Windshield
	04674718	1							Right
	04674719	1							Left
9	04716398	2							TAPPING PLATE, Side Door Stabilizer, Right
10	04716432	2							REINFORCEMENT, Door Striker
11	04716891	1							REINFORCEMENT, Door Striker
12	04860301	2							TAPPING PLATE, Striker
13	04717375	2							STABILIZER, Sliding Door
-14	06503267	2							SCREW, Round Head, M6x1x25
15									WEATHERSTRIP, Front Door
	04675666	1							Right
	04675667	1							Left
16	04716050	2							PAD, Jacking, Without Sill Moldings
17									PAD, Jack
	04716182	1							Rear, With Sill Moldings, Right
	04716183	1							Front, With Sill Moldings, Right
18	04716182	1							PAD, Jack, Front, With Sill Moldings, Left

AR = use ase required - = Non illustrated part

Quarter Panel With Sliding Door
Figure SGS-910

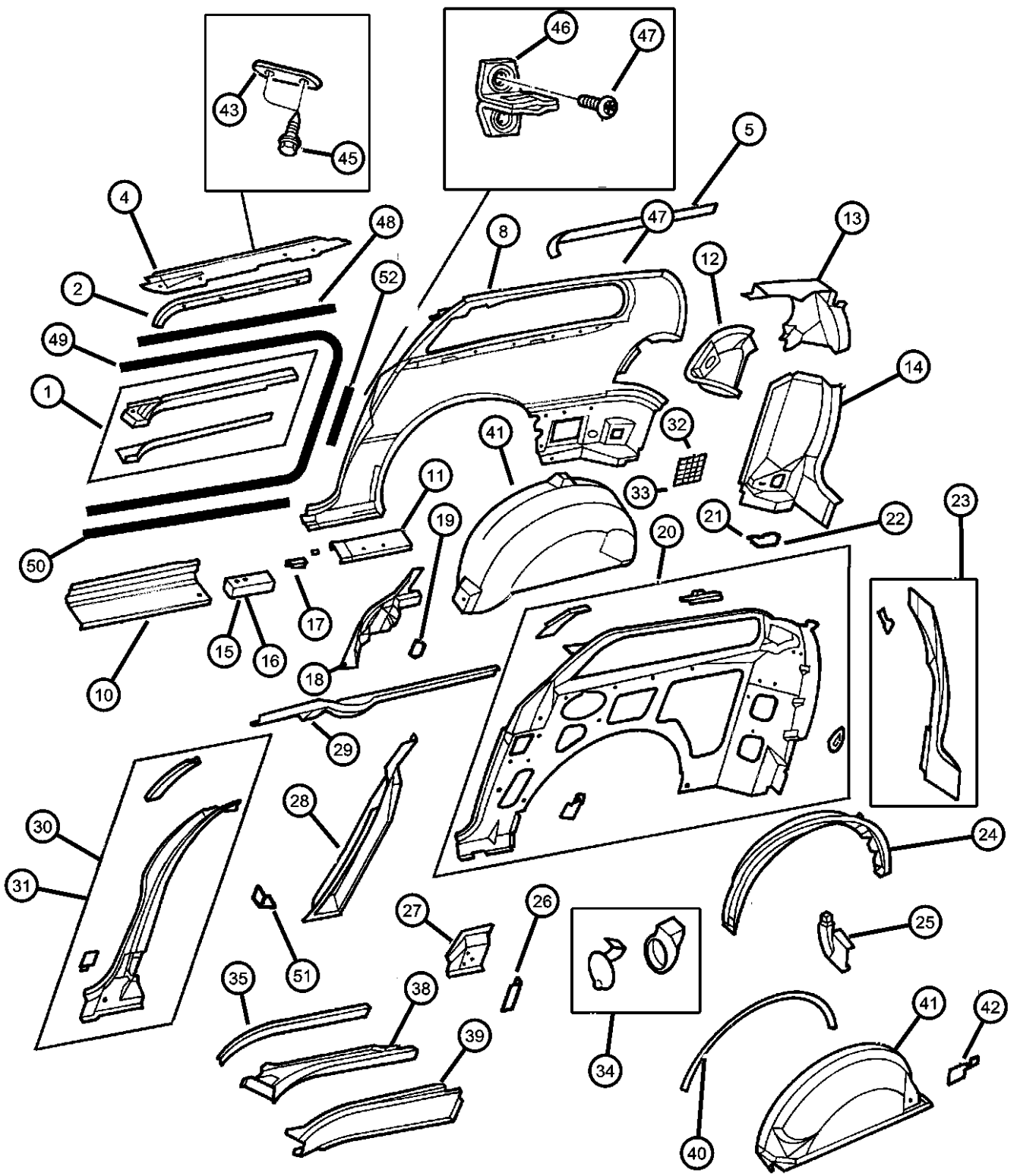


ITEM	PART NUMBER	QTY	LINE	SERIES	BODY	ENGINE	TRANS	TRIM	DESCRIPTION
1	04882400	1							PANEL, Roof Rail Slide Track Right
	04882401	1							Left
2	04674894	1							TRACK, Sliding Door Right, Upper
	04674895	1							Left, Upper
-3	06504423	5							NUT AND WASHER, Hex, M6x1
4	04860330	1							PANEL, Roof Rail Outer Right
	04860335	1							Left
5	04674886	1			53				TRACK, Sliding Door Right
	04674887	1			53				Left
	04717062	1			52				Right
	04717063	1			52				Left
-6	04675488	1			52				COVER, Sliding Door Track Right
	04675489	1			52				Left
	04675490	1			53				Right
	04675491	1			53				Left
-7	06035749	1							NUT, Plastic Snap-in
8	04886058AA	1			52				PANEL PACKAGE, Body Side Aperture Rear Right
	04886059AA	1			52				Left
	04886066AA	1			53				Right
	04886067AA	1			53				Left
-9	04716933	2							PLUG, Body Side Aperture
10	04674998	1							PANEL, Sill Right
	04716009	1							Left
11	04716494	1			53				EXTENSION, Body Side Aperture Right
	04716495	1			53				Left
12	04716232	1							EXTENSION, Tail Lamp Opening Right
	04716233	1							Left
13	04716326	1			52				REINFORCEMENT, Quarter Panel Upper, Right
	04716328	1			53				Upper, Right
	04716329	1			53				Upper, Left

AR = use ase required - = Non illustrated part

Quarter Panel With Sliding Door
Figure SGS-910

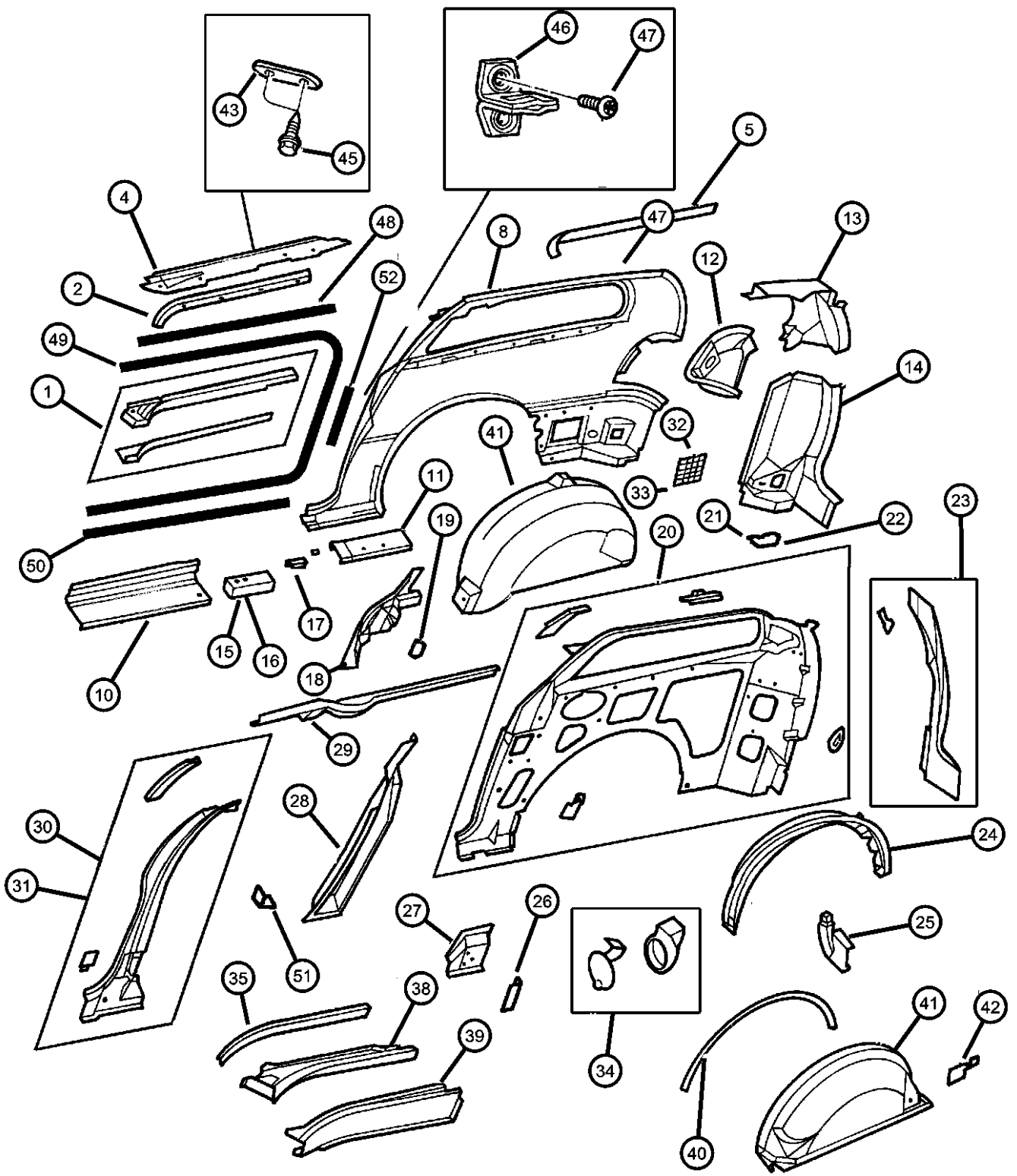
ITEM	PART NUMBER	QTY	LINE	SERIES	BODY	ENGINE	TRANS	TRIM	DESCRIPTION
14									REINFORCEMENT, Quarter Panel
	04716046	1			53				Right
	04716047	1			53				Left
	04716606	1			52				Right
	04716607	1			52				Left
15	04716050	2							PAD, Jacking, Without Sill Moldings
16									PAD, Jack
	04716182	1							With Sill Moldings, (Right Rear and Left Front)
	04716183	1							With Sill Moldings, (Left Rear and Right Front)
17	04314277	4							PLATE, Jack Locator
18									REINFORCEMENT PACKAGE, Body Side Aperture
	04886364AA	1							Right
	04886365AA	1							Left
19	04860301	2							TAPPING PLATE, Striker
20									PANEL, Quarter Inner
	04674733	1			52				Left
	04674739	1			53				Left
	04860174	1			53				Right
21									REINFORCEMENT, Shoulder Belt
	04716404	1			52				Right
	04716405	1			52				Left
22	04716402	2			53				TAPPING PLATE, Shoulder Belt
23									TROUGH PACKAGE
	04797908	1							Right
	04797909	1							Left
24									WHEELHOUSE, Rear Outer
	04716045	1							Left
	04716966	1							Right
25									EXTENSION, Wheel House
	04716330	1			53				Right
	04716331	1			53				Left
	04716612	1			52				Right
	04716613	1			52				Left
26									SUPPORT, Jack
	04716779	1			53				Left
	04716954	1			53				Right
27									REINFORCEMENT, Jacking
	04716422	1			53				Right
	04716423	1			53				Left



AR = use ase required - = Non illustrated part

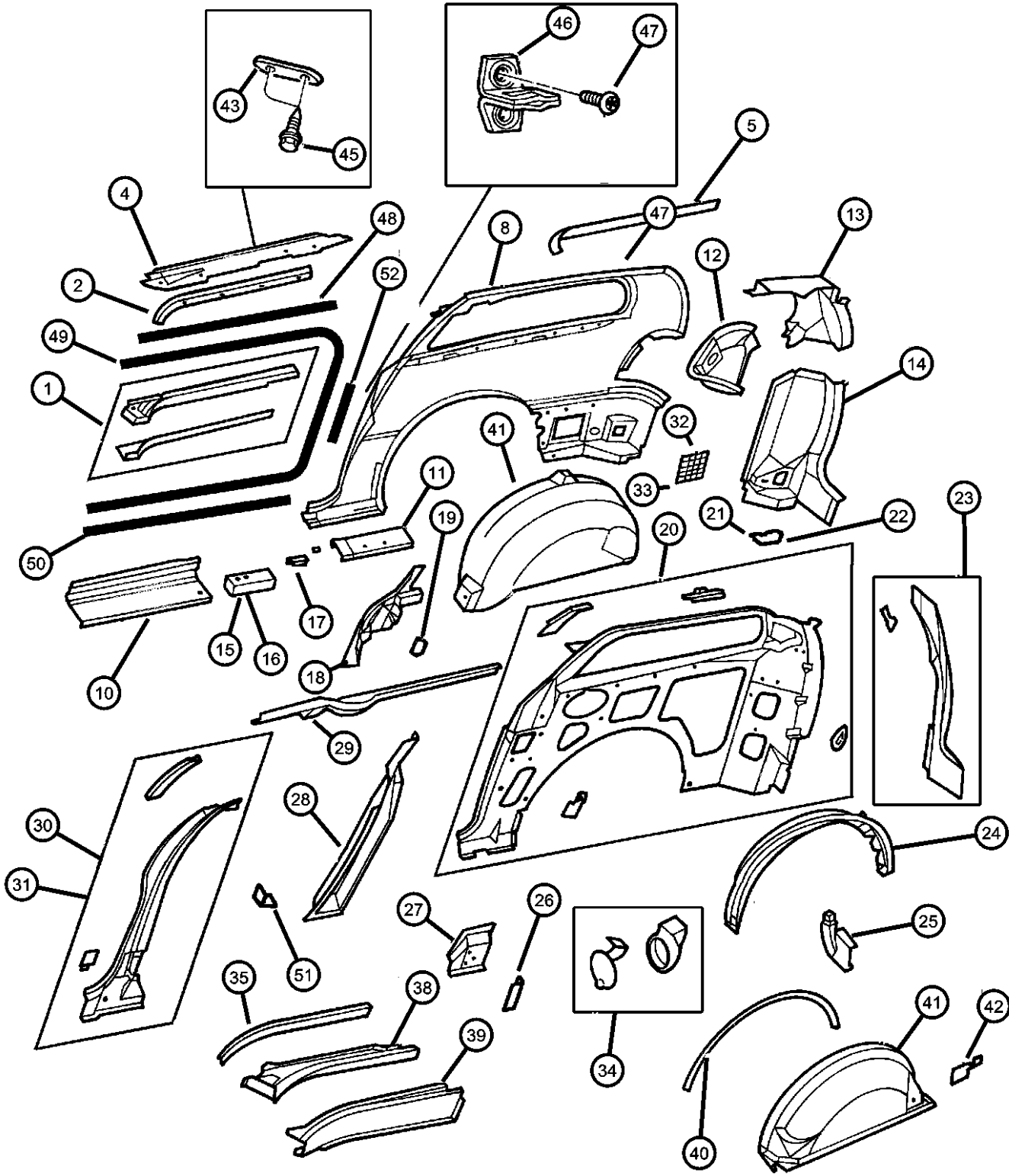
Quarter Panel With Sliding Door
Figure SGS-910

ITEM	PART NUMBER	QTY	LINE	SERIES	BODY	ENGINE	TRANS	TRIM	DESCRIPTION
28									REINFORCEMENT, Quarter Panel
	04716214	1			53				Right
	04716215	1			53				Left
29									RAIL, Roof Side
	04860176	1							Right
	04860337	1							Left
30									PANEL, B Pillar Inner
	04716372	1							Right
	04716373	1							Left
31	04716011	1							PANEL, B Pillar Outer
32									EXHAUSTER, Quarter Panel
	04716924	1			53				Right
	04716925	1			53				Left
	04716926	1			52				Right
	04716927	1			52				Left
33	04716570	1			53				PLUG, Body Side Aperture, Exhuster Opening
34	04797712	1							DOOR, Fuel Fill
35									TRACK, Sliding Door
	04716414	1							Right
	04716415	1							Left
-36									STUFFER, Sliding Door Track
	04716920	1							Lower, Right Front
	04716921	1							Lower, Left Front
	04716976	2							Lower Rear
-37	06504423	5							NUT AND WASHER, Hex, M6x1
38									SUPPORT, Sliding Door Track
	04716428	1							Right
	04716429	1							Left
39									REINFORCEMENT PACKAGE, Sliding Door
	04883980AA	1							Right
	04883981AA	1							Left
40									EXTENSION, Wheel House
	04675000	1							Right
	04716023	1							Left
41									WHEELHOUSE, Rear Inner
	04716586	1							Right
	04716587	1							Left
42	04716394	2							PLATE, Seat Belt
43									STRIKER, Sliding Door Stop



AR = use ase required - = Non illustrated part

Quarter Panel With Sliding Door
Figure SGS-910

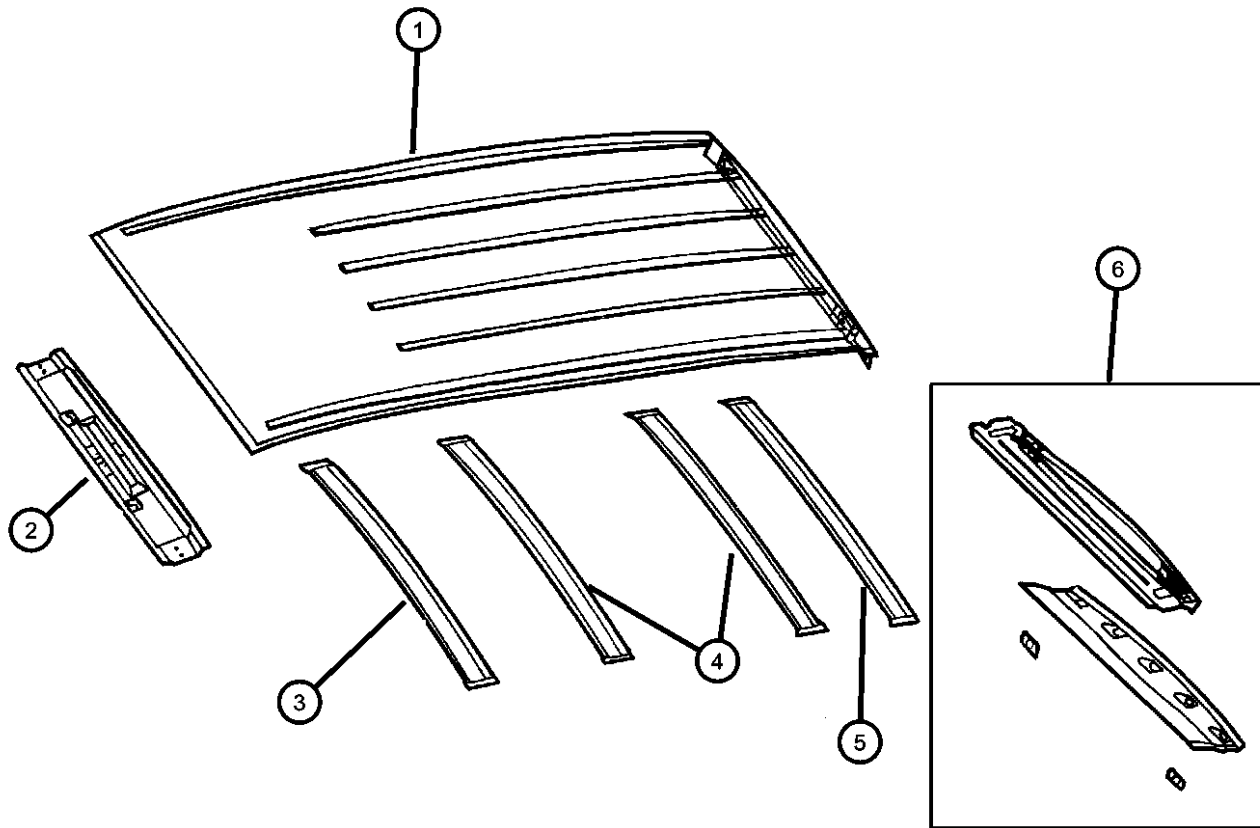


ITEM	PART NUMBER	QTY	LINE	SERIES	BODY	ENGINE	TRANS	TRIM	DESCRIPTION
	04717318	1							Right
	04717319	1							Left
-44	06503526	1							SCREW, Truss Head, M6x1x15
45	06100557	2							BOLT AND CONED WASHER, Hex Head, M6x20x14
46	04675512	1							STRIKER, Door Latch
47	06503881	2							SCREW, Oval Head, M8x1.25x6
48									WEATHERSTRIP, Sliding Door Secondary
	04675676AB	1							Right, Upper
	04675677AB	1							Left, Upper
49									WEATHERSTRIP, Sliding Door Opening, Right
	04675674	1							Opening, Right
	04675675	1							Opening, Left
50									WEATHERSTRIP, Sliding Door Secondary
	04717316	1							Lower, Right
	04717317	1							Lower, Left
51	04717317	1							SUPPORT, B-Pillar, (NOT SERVICED),
52	04717190	1							WATERSHIELD, Sliding Door Striker, 1/2' Above Striker
-53									SILENCER, Wheelhouse
	04754288	1							Right
	04754289	1							Left
-54	04860217	3							PAD, Quarter Panel

AR = use ase required - = Non illustrated part

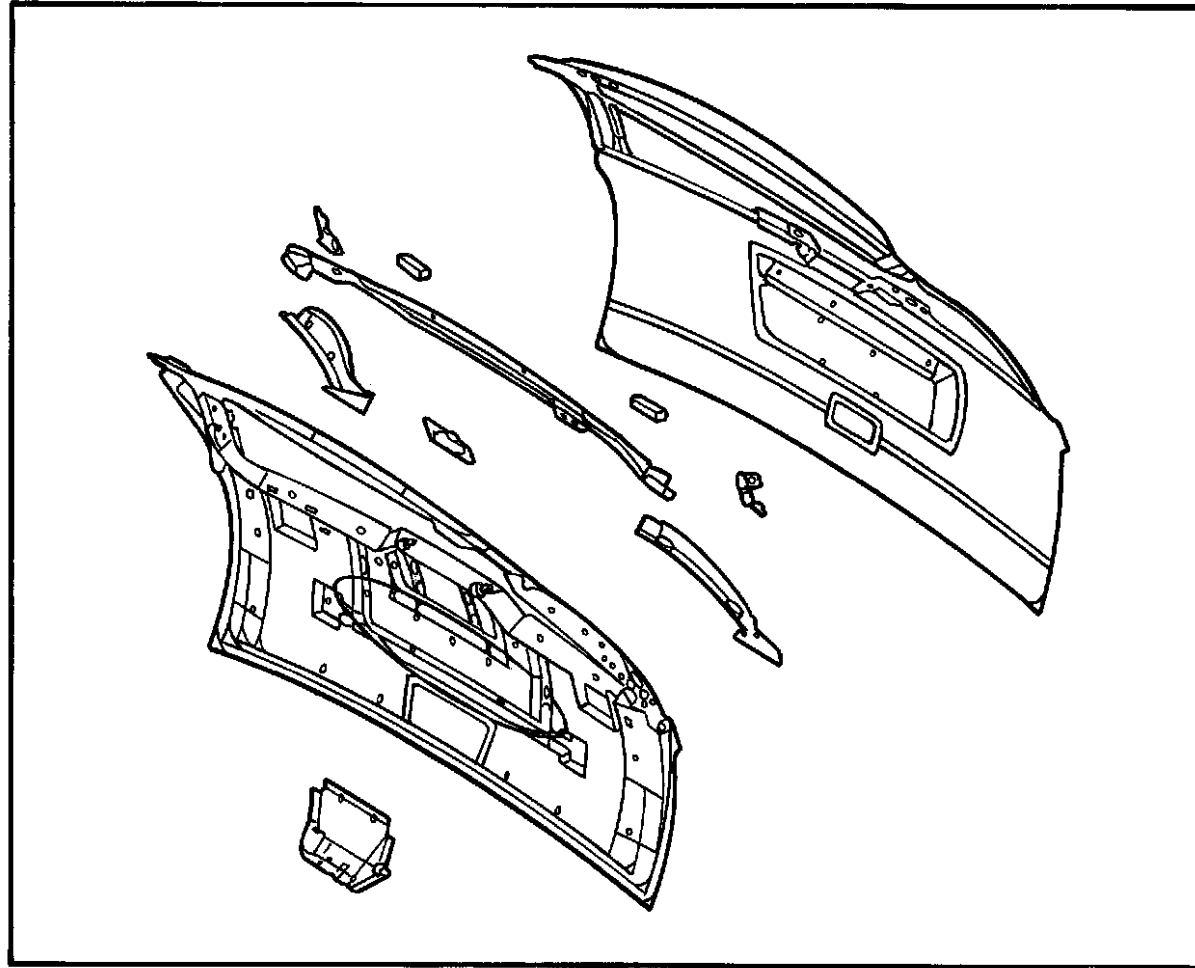
Roof Panel
Figure SGS-1110

ITEM	PART NUMBER	QTY	LINE	SERIES	BODY	ENGINE	TRANS	TRIM	DESCRIPTION
1									ROOF
	04674631	1			52				
	04674632	1			53				
2	04674672	1							FRAME, Windshield
3	04716961	1							BOW, Roof, Number 1
4	04716411	4							BOW, Roof, Number 2 and 3
5	04674921	1			53				BOW, Roof, Number 4
6	04797688	1							REINFORCEMENT, Liftgate Opening

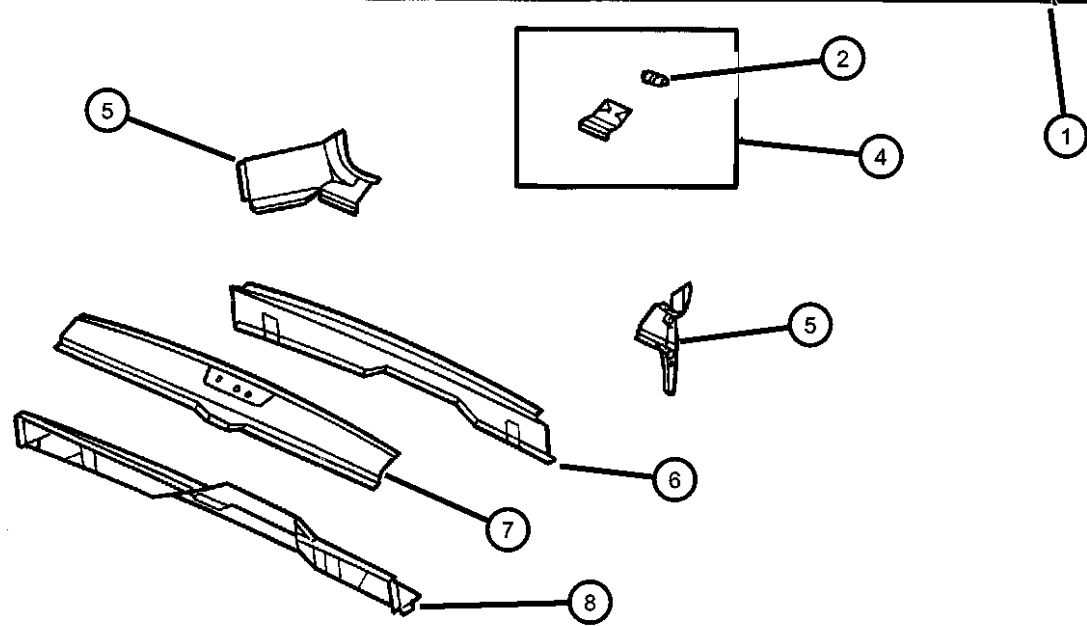


AR = use ase required - = Non illustrated part

Liftgate Panel
Figure SGS-1310

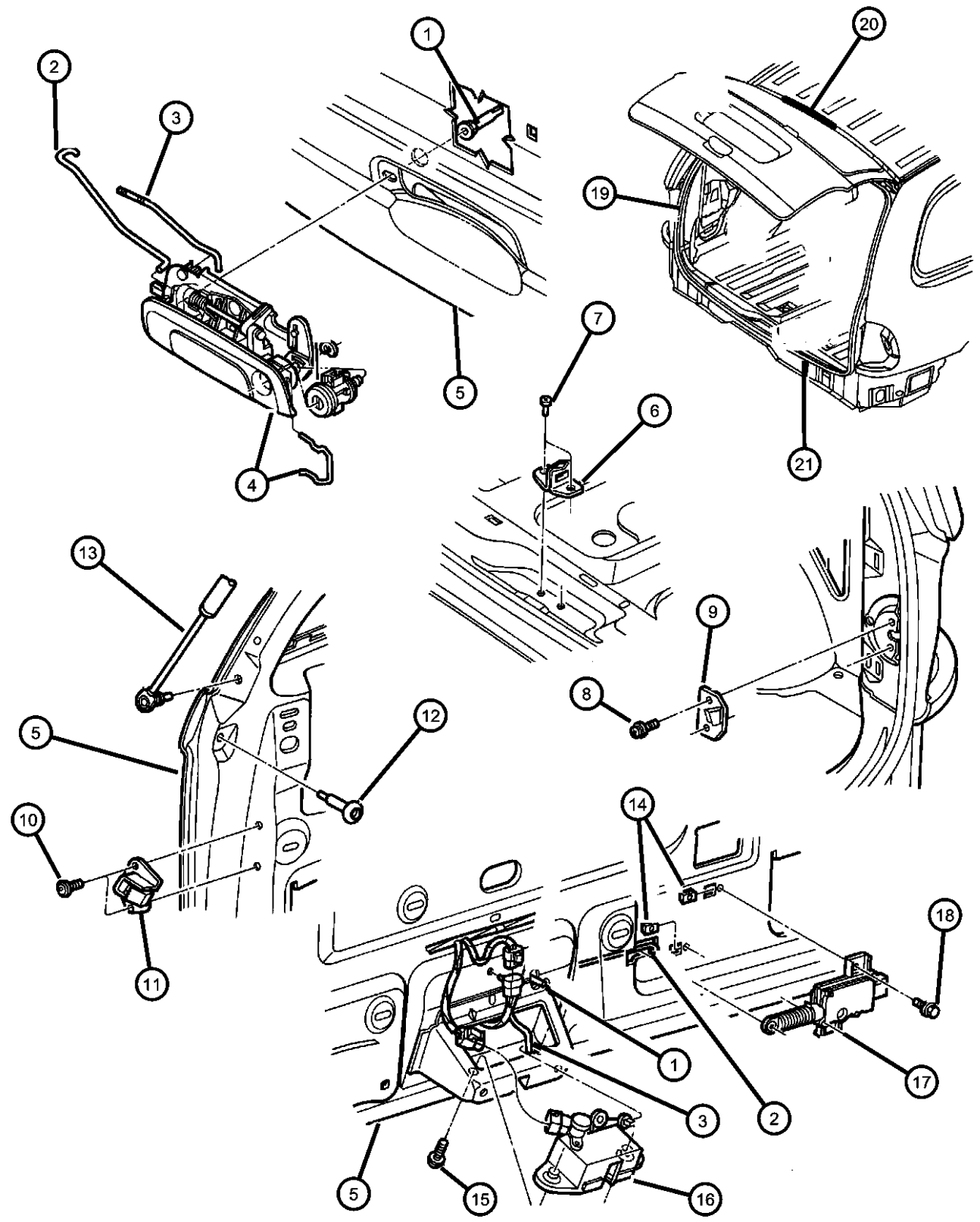


ITEM	PART NUMBER	QTY	LINE	SERIES	BODY	ENGINE	TRANS	TRIM	DESCRIPTION
1	04883221	1							LIFTGATE
2	04860301	2							TAPPING PLATE, Striker
-3	04717358	AR							SHIM
4	04716474	1							REINFORCEMENT AND NUT, Liftgate Striker, Liftgate Striker EXTENSION, Liftgate Opening
5	04674930	1			52				Right
	04674931	1			52				Left
	04674933	1			53				Left
6	04674673	1			53				PANEL, Liftgate Opening
	04716048	1			52				
7	04674647	1			52				REINFORCEMENT, Liftgate Opening Lower
	04674792	1			53				Lower
8	04674569	1			53				REINFORCEMENT, Liftgate Opening Front, Lower
	04716654	1			52				Front, Lower
-9	04860295	1							HINGE, LiftgateLeft
-10	06503792	10							SCREW AND WASHER, Hex Head, M8-1.25x32.00, Liftgate Hinge to Body Attaching
-11	06504535	2							SCREW, Hex Flange Head, M8x1.25x20, Liftgate Hinge ISOLATOR, License Plate
-12	04576391	1							



AR = use ase required - = Non illustrated part

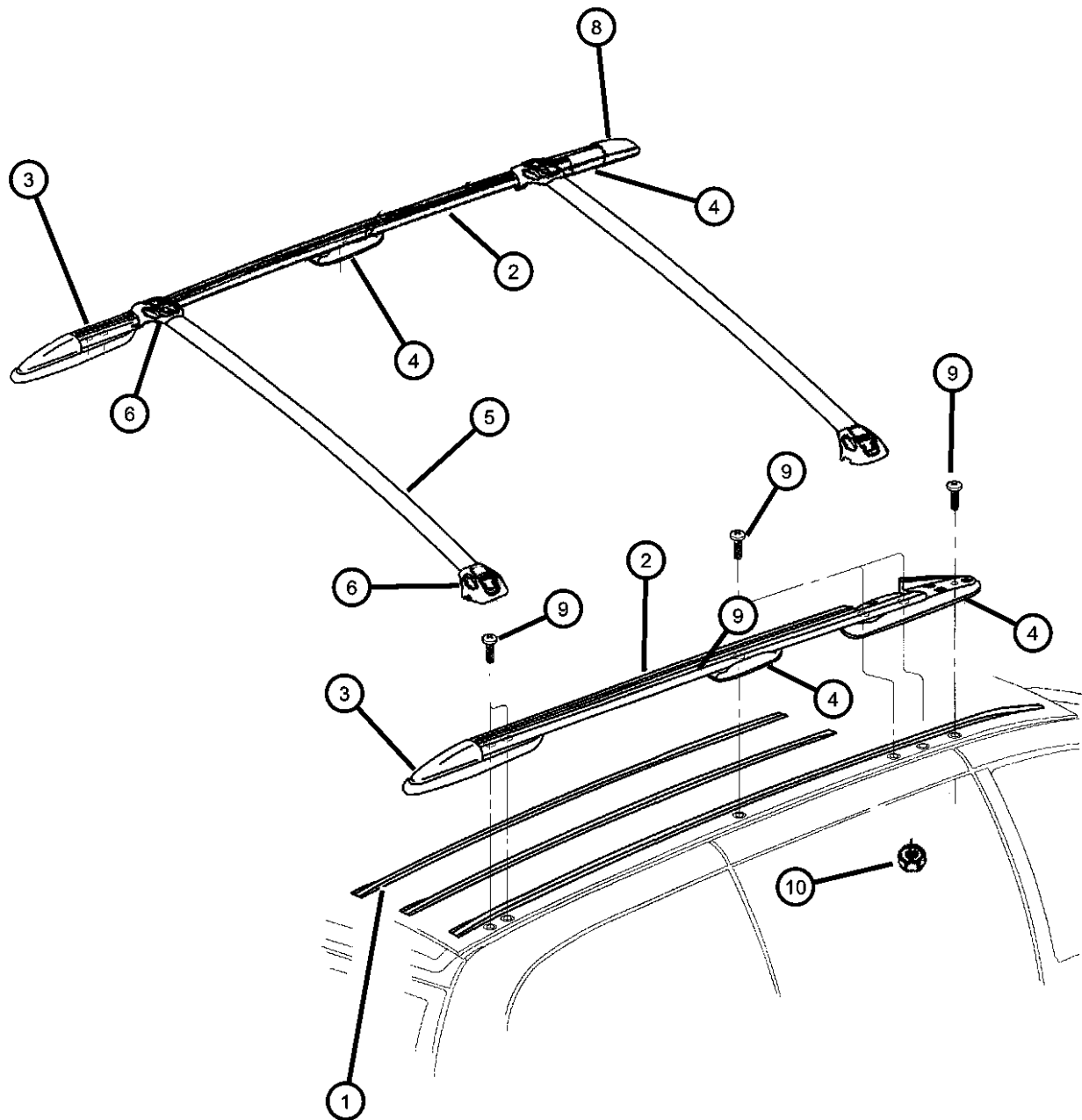
Liftgate Attachments
Figure SGS-1320



ITEM	PART NUMBER	QTY	LINE	SERIES	BODY	ENGINE	TRANS	TRIM	DESCRIPTION
1	04717125	1							NUT, Plastic, With Brass Insert
2	04717057	1							ROD, Liftgate Actuator
3	04675984	1							ROD, Liftgate Handle to Latch
4	04675772	1							HANDLE, Liftgate
5	04883221	1							LIFTGATE
6	04675512	1							STRIKER, Door Latch
7	06504385	2							SCREW, Flange Head, M8x1.25x26, Liftgate Wedge Attaching
8	06035576	4							RIVET, Blind, .250x.612
9									STRIKER, Door Latch
	04717360	1							Right
	04717361	1							Left
10	04717361	1							SCREW, M4.8x1.59x12.70, (NOT SERVICED)
11	04717053	1							WEDGE, Liftgate OpeningLeft
12	04716715	2							BUMPER, Deck Lid Overslam
13	04675806	2							PROP, Liftgate
	G0004532AB								Mopar V-Line Alternative Part
	VLNS9600AA								Mopar V-Line Alternate Part Kit (Contains 2 pieces)
14	06502751	2							NUT/RIVET, Round, M6.00 x 1.00 x 15.00
15	06503533	2							SCREW, Flange Head, M8x1.25x26
16	04675776	1							LATCH, Liftgate
17	04675782	1							MOTOR, Door Lock
18	06100267	2							BOLT AND CONED WASHER, Hex Head, M6x25x12.5
19	04717327	1							WEATHERSTRIP, Liftgate Opening
20	04675357	1							WEATHERSTRIP, Liftgate Secondary UpperUpper
21	04860196	1							SEAL, Liftgate
-22	04717358	AR							SHIM

AR = use ase required - = Non illustrated part

Luggage Rack
Figure SGS-1610



ITEM	PART NUMBER	QTY	LINE	SERIES	BODY	ENGINE	TRANS	TRIM	DESCRIPTION
1									STRIP, Luggage Rack Skid
	04857036	4			53				
	04857044	4			52				
2									RAIL, Luggage Rack Side
	04676656	1			53				Right
	04676657	1			53				Left
	04676658	1			52				Right
	04676659	1			52				Left
3									SUPPORT, Luggage Rack
	04676652	1			52				Rear, Right
	04676653	1			52				Rear, Left
4									SUPPORT, Luggage Rack
	04676644	1			52				Right Front
	04676648	1			52				Center
	04676650	1			53				Right Rear
	04676651	1			53				Left Rear
5	04676655	4							RAIL, LUGG RACK CROSS
6									STANCHION, Luggage Rack, Black
	04676642	1							Right
	04676643	1							Left
-7	06504583	2							SCREW, M6x1x30
8									COVER, Luggage Rack
	04676646	1							Right
	04676647	1							Left
9	06504432	12							SCREW, Pan Head, M6-1.00x29.00
10	06503785	12							NUT/RIVET, M6x1.00x13.50

AR = use ase required - = Non illustrated part