



**PARTS
CATALOGUE
CATALOGO
DE REPUESTOS**

YBR125ED (5RRA) MEXICO



1G5RR-210S1

()

YBR125ED
CATALOGO DE REPUESTOS
©2007 por Yamaha Motor do Brasil Ltda.
1ª edición, septiembre 2007
Todos los derechos reservados.
Toda reproducción o uso no autorizado
sin el consentimiento escrito de
Yamaha Motor do Brasil Ltda.
quedan expresamente prohibidos
Impreso en Brasil.

YBR125ED
PARTS CATALOGUE
©2007 by Yamaha Motor do Brasil Ltda.
1st edition, September 2007
All rights reserved.
Any reprinting or unauthorized use
without the written permission of
Yamaha Motor do Brasil Ltda.
is expressly prohibited.
Printed in Brazil.

PROLOGO

Este catálogo de repuestos corresponde a las piezas para el o los modelos que figuran en la página de portada. Al formular el pedido de repuestos, se ruega citar este catálogo y especificar correctamente el número y el nombre de las piezas.

1. Las modificaciones y agregados que se hayan realizado después de la edición de este Catálogo de Repuestos, serán anunciados en las Informaciones de Recambios. Es recomendable que se hagan las correcciones necesarias en el Catálogo de Repuestos de acuerdo con las Informaciones de Recambios.

2. Abreviaciones

En este. Catálogo de Repuestos se emplean las siguientes abreviaciones.

“UR” Usar el número de partes especificado

“UN” Usar la cantidad necesaria

“AP” Piezas sustitutivas

“LM” Fabricación local (Hay que pedir los repuestos en las cercanías)

“F#” N° de bastidor (N° aplicable a la máquina)

“O/S” Sobredimensionado

3. La cantidad de componentes para el montaje

- Los componentes, suministrados como conjunto, se describen con un punto (.) que precede al nombre del parte como se indica a continuación.
- La numeración que aparece a la derecha de cada descripción indica la cantidad de partes por cada unidad de conjunto.

| CODIGO N° | DESCRIPCION | CANT. | OBSERVACIONES |
|--------------|----------------------|-------|---------------|
| 2F5-83310-60 | ENSAMBLAJE DE LA LUZ | 2 | |
| 115-83311-60 | .BOMBILLA (6V-18W) | 1 | |

4. Los colores de los componentes se indican como sigue en la columna de “OBSERVACIONES”.

| CODIGO N° | DESCRIPCION | CANT. | OBSERVACIONES |
|-----------------|----------------------|-------|---------------|
| 2N4-24110-00-X5 | COMP. DEL TANQUE | 2 | MXR |
| 3J1-24240-10 | .GRAFICO, DEL TANQUE | 1 | PARA MXR |

5. Debe tenerse en cuenta que las ilustraciones sirven como guía para la búsqueda de los números de partes y no deben usarse para el montaje. Durante el montaje, se recomienda usar el manual de taller correspondiente.

6. EL asterisco (*) antes del número de referencia indica los elementos modificados después de la primera edición.

FOREWORD

This Parts Catalogue is related to the parts for the model(s) on the cover page. When you are ordering replacement parts, please refer to this Parts Catalogue and quote both part numbers and part names correctly.

1. Modifications or additions which have been made after the issue of the Parts Catalogue will be announced in the Parts News.

It is advisable that you make the necessary corrections to the Parts Catalogue according to the Parts News.

2. Abbreviations

The following abbreviations are used in this Parts Catalogue.

“UR” Use specified parts number.

“UN” Use as many as needed.

“AP” Alternate Parts

“LM” Locally Made (Parts need to be ordered locally)

“F#” Frame No. (Applicable machine No.)

“O/S” Over Size

3. The number of components for assembly

- Parts, which are to be supplied in an assembly, are listed with a dot (.) in front of the part name as shown below.
- The numeral appearing to the right of each component part indicates the quantity of parts for each assembly unit.

| PART NO. | DESCRIPTION | Q'TY | REMARKS |
|--------------|--------------------------|------|---------|
| 2F5-83310-60 | FRONT FLASHER LIGHT ASSY | 2 | |
| 115-83311-60 | .BULB (6V-18W) | 1 | |

4. Applicable colours of graphics are represented in the “REMARKS” as shown below.

| PART NO. | DESCRIPTION | Q'TY | REMARKS |
|-----------------|---------------------|------|---------|
| 2N4-24110-00-X5 | FUEL TANK COMP. | 2 | MXR |
| 3J1-24240-10 | .GRAPHIC, FUEL TANK | 1 | FOR MXR |

5. Note that the illustrations for reference in finding parts numbers are not to be used for assembling. When assembling, please use the applicable service manual.

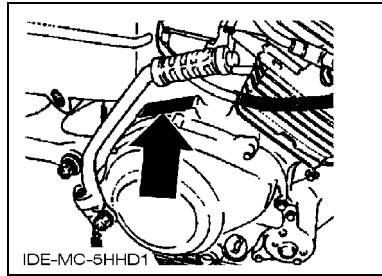
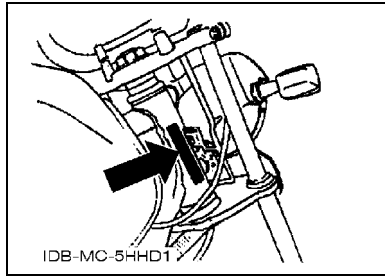
6. The asterisk (*) before a reference number indicates modified items after the first edition.

PROLOGO

7. Números de serie

Nº de Serie del bastidor

Nº de Serie del motor



8. Códigos de color aplicables (El símbolo (*) muestra el color de modelo.)

| Abreviatura | Nombre de color | Código de color |
|-------------|-------------------------------|-----------------|
| DPBMC(*) | DEEP PURPLISH BLUE METALLIC C | 0564 |
| DRMK(*) | DEEP RED METALLIC K | 0918 |
| S3(*) | SILVER 3 | 0791 |
| SL | SILVER | 0035 |
| YB(*) | YAMAHA BLACK | 0033 |
| | | |
| | | |
| | | |
| | | |
| | | |

9. Nº de serie inicial aplicable

Nº de Serie del bastidor

| Nº de serie | Nombre de la columna de cantidades | Código de Modelo |
|-------------------|------------------------------------|------------------|
| 9C6KE075180003201 | 5RRA | 5RRA |
| | | |
| | | |
| | | |
| | | |

Nº de Serie del motor

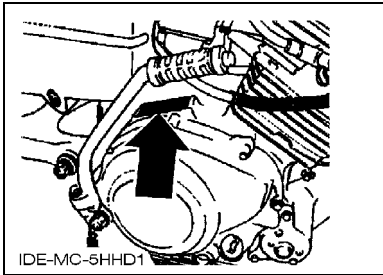
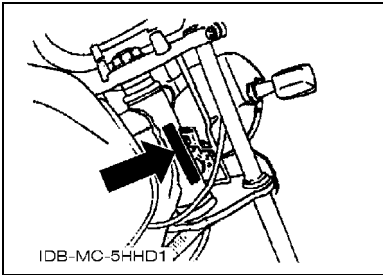
| Nº de serie | Nombre de la columna de cantidades | Código de Modelo |
|--------------|------------------------------------|------------------|
| E320E-008703 | 5RRA | 5RRA |
| | | |
| | | |
| | | |
| | | |

FOREWORD

7. Applicable Serial No.

Frame Serial No.

Engine Serial No.



8. Applicable Colour Code (The (*) mark shows Model colour.)

| Abbreviation | Colour Name | Colour Code |
|--------------|-------------------------------|-------------|
| DPBMC(*) | DEEP PURPLISH BLUE METALLIC C | 0564 |
| DRMK(*) | DEEP RED METALLIC K | 0918 |
| S3(*) | SILVER 3 | 0791 |
| SL | SILVER | 0035 |
| YB(*) | YAMAHA BLACK | 0033 |
| | | |
| | | |
| | | |
| | | |
| | | |

9. Applicable Starting Serial No.

Frame Serial No.

| Serial No. | Name Of Q'ty Column | Model Code |
|-------------------|---------------------|------------|
| 9C6KE075180003201 | 5RRA | 5RRA |
| | | |
| | | |
| | | |
| | | |

Engine Serial No.

| Serial No. | Name Of Q'ty Column | Model Code |
|--------------|---------------------|------------|
| E320E-008703 | 5RRA | 5RRA |
| | | |
| | | |
| | | |
| | | |

CONTENIDO

MOTOR

| | |
|----------------------------------|----|
| CILINDRO | 1 |
| CIGUENAL & PISTON | 2 |
| VALVULA | 4 |
| ARBOL DE LEVAS & CADENA | 5 |
| BOMBA DE ACEITE | 6 |
| ADMISION | 7 |
| CARBURADOR | 8 |
| DESCARGA | 10 |
| CARTER | 11 |
| CUBIERTA DE CARTER 1 | 12 |
| ARRANQUE | 13 |
| EMBRAGUE DEL ARRANQUE | 14 |
| EMBRAGUE | 15 |
| TRANSMISION | 16 |
| LEVA DE CAMBIO & HORQUILLA | 18 |
| EJE DE CAMBIO & PEDAL | 19 |

SHASIS

| | |
|--------------------------------------|----|
| CUADRO | 20 |
| GUARDABARRO | 21 |
| CUBIERTA LATERAL | 22 |
| BRAZO TRASERO & SUSPENSION | 24 |
| DIRECCION | 25 |
| HORQUILLA DELANTERA | 26 |
| DEPOSITO DE COMBUSTIBLE | 28 |
| ASIENTO | 30 |
| RUEDA DELANTERA | 32 |
| CALIBRE FRENO DELANTERA | 33 |
| RUEDA TRASERA | 34 |
| MANILLAR & CABLE | 36 |
| CILINDRO MAESTRO DELANTERO | 37 |
| SOPORTE & APOYAPIE | 38 |
| GENERADOR | 40 |
| MOTOR DE ARRANQUE | 41 |
| LUZ DE DESTELLADOR | 42 |
| MEDIDOR | 43 |
| FARO DELANTERO | 44 |
| LUZ DE COLA | 45 |
| INTERRUPTOR DE MANILLAR&PALANC | 46 |
| EQUIPO ELECTRICO 1 | 47 |
| EQUIPO ELECTRICO 2 | 48 |

INDICE

| | |
|-----------------------|----|
| INDICE NUMERICO | 49 |
|-----------------------|----|

CONTENTS

ENGINE

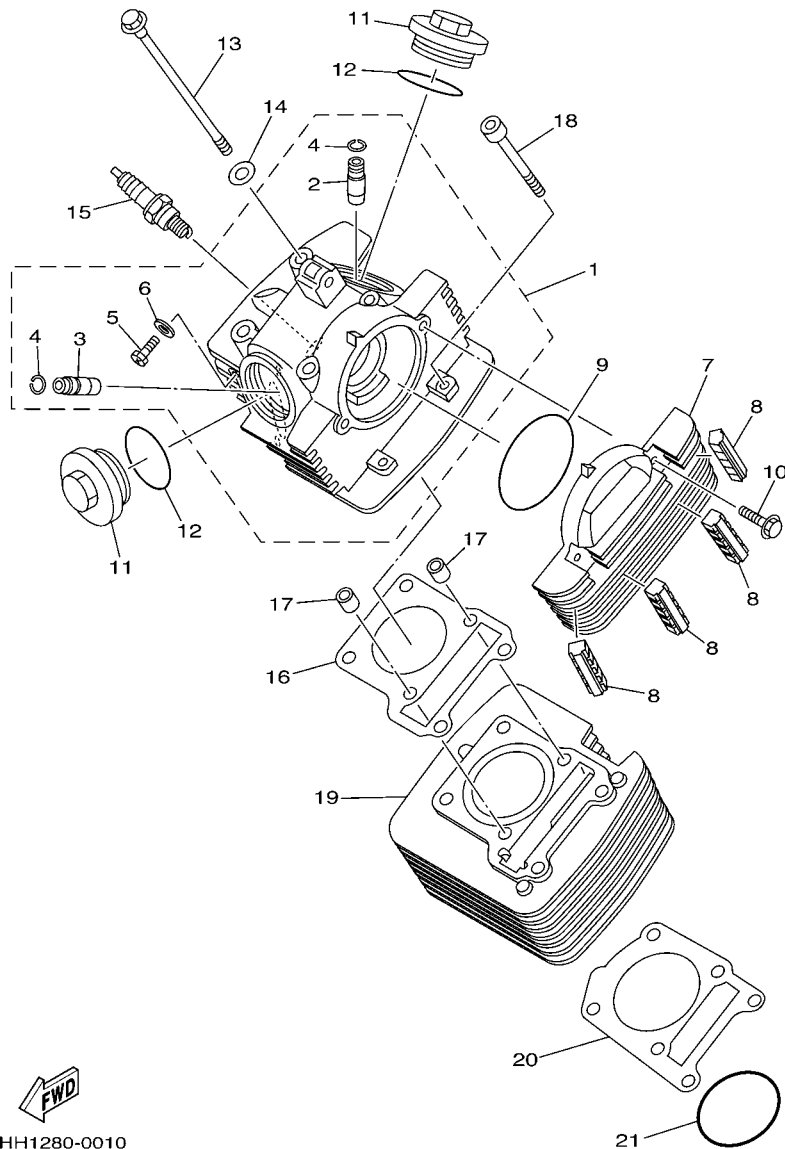
| | |
|---------------------------|----|
| CYLINDER | 1 |
| CRANKSHAFT & PISTON | 2 |
| VALVE | 4 |
| CAMSHAFT & CHAIN | 5 |
| OIL PUMP | 6 |
| INTAKE | 7 |
| CARBURETOR | 8 |
| EXHAUST | 10 |
| CRANKCASE | 11 |
| CRANKCASE COVER 1 | 12 |
| STARTER | 13 |
| STARTER CLUTCH | 14 |
| CLUTCH | 15 |
| TRANSMISSION | 16 |
| SHIFT CAM & FORK | 18 |
| SHIFT SHAFT | 19 |

CHASSIS

| | |
|-------------------------------|----|
| FRAME | 20 |
| FENDER | 21 |
| SIDE COVER | 22 |
| REAR ARM & SUSPENSION | 24 |
| STEERING | 25 |
| FRONT FORK | 26 |
| FUEL TANK | 28 |
| SEAT | 30 |
| FRONT WHEEL | 32 |
| FRONT BRAKE CALIPER | 33 |
| REAR WHEEL | 34 |
| STEERING HANDLE & CABLE | 36 |
| FRONT MASTER CYLINDER | 37 |
| STAND & FOOTREST | 38 |
| GENERATOR | 40 |
| STARTING MOTOR | 41 |
| FLASHER LIGHT | 42 |
| METER | 43 |
| HEADLIGHT | 44 |
| TAILLIGHT | 45 |
| HANDLE SWITCH & LEVER | 46 |
| ELECTRICAL 1 | 47 |
| ELECTRICAL 2 | 48 |

INDEX

| | |
|-----------------------|----|
| NUMERICAL INDEX | 49 |
|-----------------------|----|



5HH1280-0010

FIG. 1 CILINDRO

CYLINDER

| REF. Nº | CODIGO Nº PART NO. | DESCRIPCION DESCRIPTION | SFRRA | | | OBSERVACIONES REMARKS |
|---------|--------------------|---|-------|--|--|-----------------------|
| 1 | 5RR-E1111-10 | CULATA CILINDRO 1 HEAD, CYLINDER 1 | 1 | | | |
| 2 | 2UJ-11133-10 | .GUIA DE VALVULA 1 .GUIDE, VALVE 1 | 1 | | | |
| 3 | 22F-11134-10 | .GUIA DE VALVULA 2 .GUIDE, VALVE 2 | 1 | | | |
| 4 | 93440-10109 | .SEGURO .CIRCLIP | 2 | | | |
| 5 | 90153-06803 | .TORNILLO HEXAGONAL .SCREW, HEXAGON | 1 | | | |
| 6 | 90430-06817 | .JUNTA .GASKET | 1 | | | |
| 7 | 5VL-E1185-10 | CUBIERTA CULATA CIL.LAT.1 COVER, CYLINDER HEAD SIDE 1 | 1 | | | |
| 8 | 5HH-E1161-00 | AMORTIGUADOR 1 ABSORBER 1 | 4 | | | |
| 9 | 93210-79200 | ANILLO O O-RING | 1 | | | |
| 10 | 9502M-06020 | PERNO, DE BRIDA BOLT, FLANGE | 2 | | | |
| 11 | 5HH-E1186-00 | CUBIERTA CULATA CIL.LAT.2 COVER, CYLINDER HEAD SIDE 2 | 2 | | | |
| 12 | 93210-44800 | ANILLO O O-RING | 2 | | | |
| 13 | 90105-08724 | TORNILLO BOLT, FLANGE | 4 | | | |
| 14 | 90201-08609 | ARANDELA PLANA WASHER, PLATE | 4 | | | |
| 15 | 94700-00834 | BUJIA (NGK CR7HSA) PLUG, SPARK (NGK CR7HSA) | 1 | | | |
| 16 | 5HH-E1181-00 | JUNTA, DE CULATA 1 GASKET, CYLINDER HEAD 1 | 1 | | | |
| 17 | 99530-10114 | PASADOR, DE ESPIGA PIN, DOWEL | 2 | | | |
| 18 | 90110-06W02 | TORNILLO ALLEN BOLT, HEXAGON SOCKET HEAD | 2 | | | |
| 19 | 5HH-E1310-10-35 | CILINDRO CYLINDER | 1 | | | SL PARA YB,DRM... |
| 20 | 5HH-E1351-00 | JUNTA, DE CILINDRO GASKET, CYLINDER | 1 | | | SL PARA YB,DRM... |
| 21 | 93210-57800 | ANILLO O O-RING | 1 | | | |

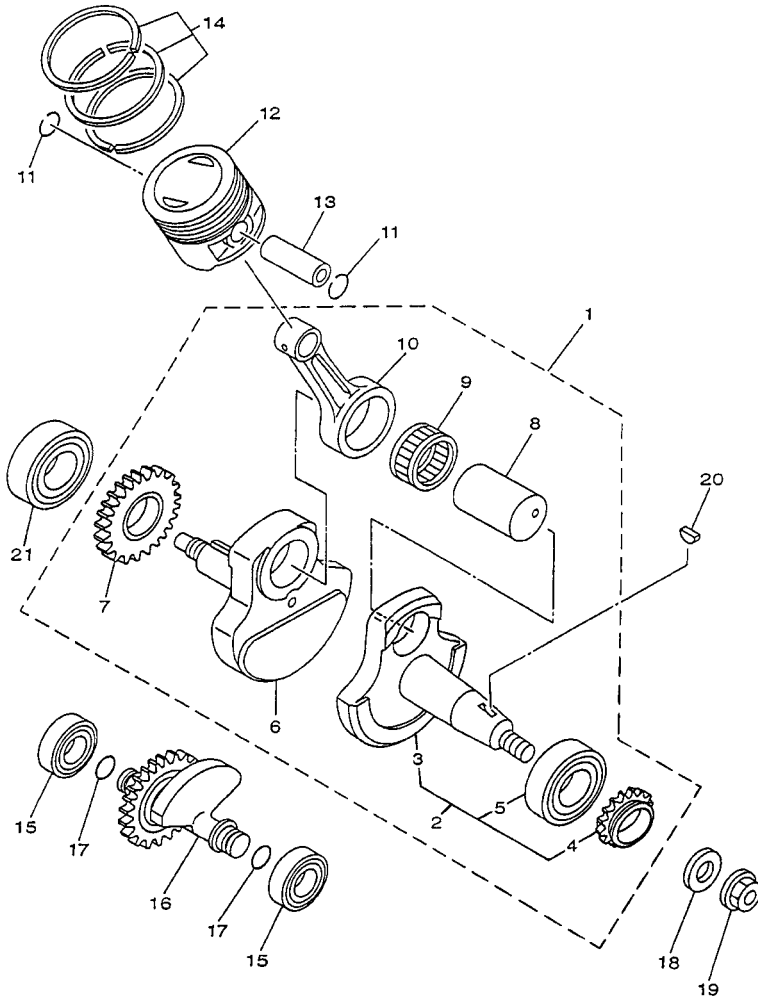


FIG. 2 CIGUENAL & PISTON

CRANKSHAFT & PISTON

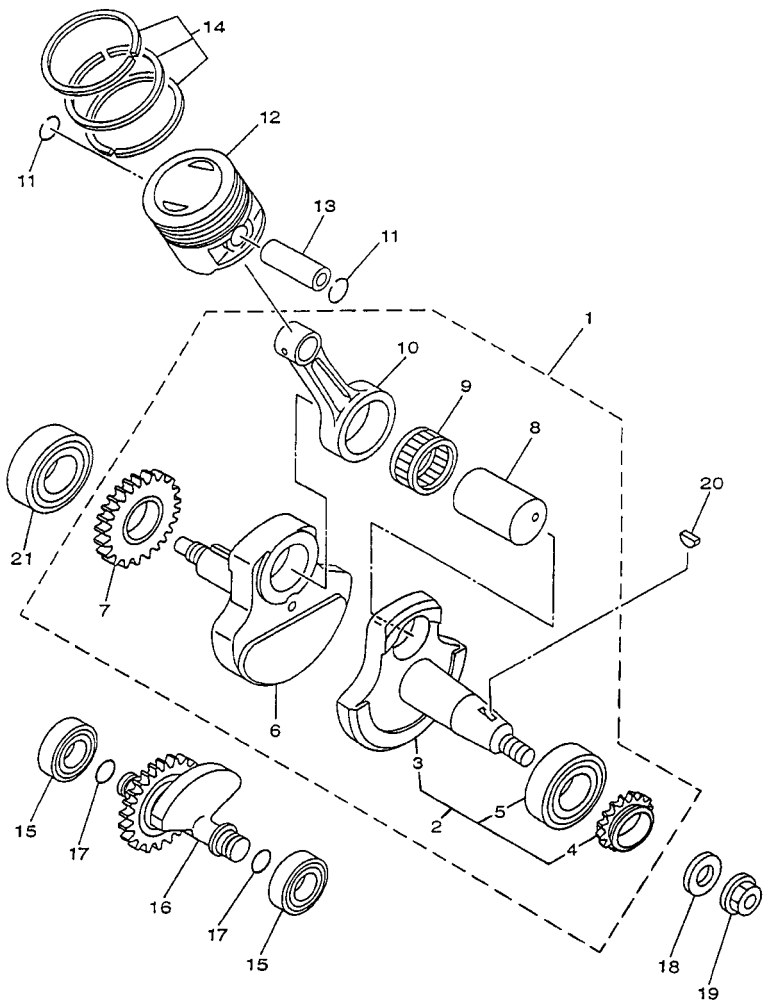
| REF. Nº | CODIGO Nº PART NO. | DESCRIPCION DESCRIPTION | SFRA | | | OBSERVACIONES REMARKS |
|---------|--------------------|---|------|--|--|-----------------------|
| 1 | 5HH-E1400-20 | CIGUENAL COMPLETO CRANKSHAFT ASSY | 1 | | | |
| 2 | 5HH-WE141-20 | ..MANIVELA SEMI-ARMADA 1 ..CRANK SUB ASSY 1 | 1 | | | |
| 3 | 5HH-E1412-20 | ..MANIVELA 1 ..CRANK 1 | 1 | | | |
| 4 | 5HH-11549-10 | ..CATALINA CADENA DE LEVA ..SPROCKET, CAM CHAIN | 1 | | | |
| 5 | 93306-205YX | ..COJINETE ..BEARING | 1 | | | |
| 6 | 5HH-E1422-10 | ..MANIVELA 2 ..CRANK 2 | 1 | | | |
| 7 | 5HH-E1536-00 | ..ENGRANAJE TRACCION ..GEAR, DRIVE | 1 | | | |
| 8 | 4LS-11681-01 | ..PASADOR MANIVELA 1 ..PIN, CRANK 1 | 1 | | | |
| 9 | 93310-6290C | ..COJINETE DE RODILLOS ..BEARING | 1 | | | |
| 10 | 4LS-11651-02 | ..BIELA ..ROD, CONNECTING | 1 | | | |
| 11 | 93450-16068 | SEGURO CIRCLIP | 2 | | | |
| 12 | 5HH-E1631-00-A0 | PISTON (NORMA) PISTON (STD) | 1 | | | |
| | 5HH-E1635-09 | PISTON (0.25MM O/S) PISTON (0.25MM O/S) | 1 | | | AP AP |
| | 5HH-E1636-09 | PISTON (0.50MM O/S) PISTON (0.50MM O/S) | 1 | | | AP AP |
| | 5HH-E1637-09 | PISTON (0.75MM O/S) PISTON (0.75MM O/S) | 1 | | | AP AP |
| | 4LS-11638-01 | PISTON (1.00MM O/S) PISTON (1.00MM O/S) | 1 | | | AP AP |
| 13 | 5HH-E1633-00 | PASADOR, PISTON PIN, PISTON | 1 | | | |
| 14 | 5RM-E1603-00 | JUEGO DE ANILLOS (NORMA) PISTON RING SET (STD) | 1 | | | |
| | 5RM-E1604-00 | JUEGO DE ANILLOS (0.25MM O/S) PISTON RING SET (0.25MM O/S) | 1 | | | AP AP |
| | 5RM-E1605-00 | JUEGO DE ANILLOS (0.50MM O/S) PISTON RING SET (0.50MM O/S) | 1 | | | AP AP |
| | 5RM-E1606-00 | JUEGO DE ANILLOS (0.75MM O/S) PISTON RING SET (0.75MM O/S) | 1 | | | AP AP |
| | 5RM-11607-00 | JUEGO DE ANILLOS (1.00MM O/S) PISTON RING SET (1.00MM O/S) | 1 | | | AP AP |
| 15 | 93306-252YA | COJINETE BEARING | 2 | | | |
| 16 | 5HH-E1500-02 | COMPENSADOR COMPLETA BALANCER ASSY | 1 | | | |
| 17 | 93210-11001 | ANILLO O O-RING | 2 | | | |
| 18 | 90201-122H1 | ARANDELA PLANA WASHER, PLATE | 1 | | | |
| 19 | 9570M-12500 | TUERCA DE BRIDA NUT, FLANGE | 1 | | | |



5HH8280-C020

FIG. 2 CIGUENAL & PISTON

CRANKSHAFT & PISTON

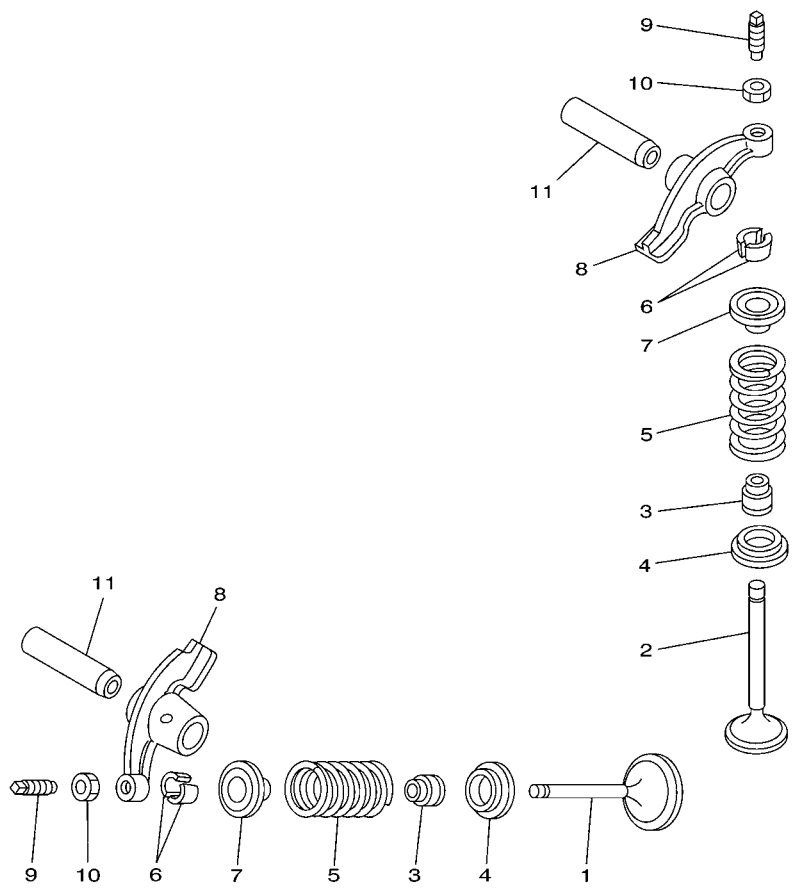


| REF. Nº | CODIGO Nº PART NO. | DESCRIPCION DESCRIPTION | SFRA | | | | OBSERVACIONES REMARKS |
|---------|--------------------|-----------------------------|------|--|--|--|-----------------------|
| 20 | 90280-03045 | CUNA WOODRUFF KEY, WOODRUFF | 1 | | | | |
| 21 | 93306-205YW | COJINETE BEARING | 1 | | | | |
| <hr/> | | | | | | | |
| <hr/> | | | | | | | |
| <hr/> | | | | | | | |
| <hr/> | | | | | | | |
| <hr/> | | | | | | | |
| <hr/> | | | | | | | |
| <hr/> | | | | | | | |
| <hr/> | | | | | | | |
| <hr/> | | | | | | | |
| <hr/> | | | | | | | |
| <hr/> | | | | | | | |

FWD
5HH8280-C020

FIG. 3 VALVULA

VALVE

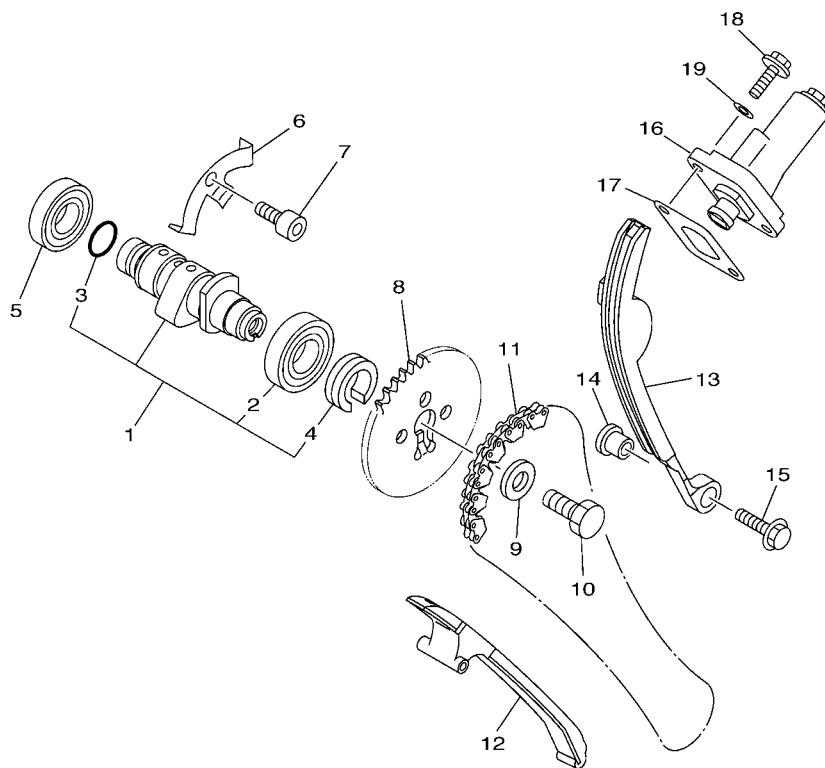


| REF. N° | CODIGO N° PART NO. | DESCRIPCION DESCRIPTION | 5FRRA | | | | OBSERVACIONES REMARKS |
|---------|--------------------|--|-------|--|--|--|-----------------------|
| 1 | 5HH-E2111-00 | VALVULA DE ADMISION VALVE, INTAKE | 1 | | | | |
| 2 | 5HH-E2121-00 | VALVULA DE ESCAPE VALVE, EXHAUST | 1 | | | | |
| 3 | 2HX-12119-00 | SELLO DE ACEITE VALVULA SEAL, VALVE STEM | 2 | | | | |
| 4 | 22F-12116-00 | ASIENTO RESORTE DE VALVULA SEAT, VALVE SPRING | 2 | | | | |
| 5 | 5HH-12113-00 | RESORTE VALVULA INTERNA SPRING, VALVE INNER | 2 | | | | |
| 6 | 22F-12118-01 | SÉGURO DE VALVULA COTTER, VALVE | 4 | | | | |
| 7 | 22F-12117-02 | RETEN RESORTE DE VALVULA RETAINER, VALVE SPRING | 2 | | | | |
| 8 | 5HH-E2151-00 | BRAZO DE BALANCIN DE VALVULA ARM, VALVE ROCKER | 2 | | | | |
| 9 | 22F-12159-00 | TORNILLO DE AJUSTE DE VALVULA SCREW, VALVE ADJUSTING | 2 | | | | |
| 10 | 90170-05302 | TUERCA NUT | 2 | | | | |
| 11 | 5VL-E2156-00 | EJE DE BALANCIN SHAFT, ROCKER 2 | 2 | | | | |



4LS1470-8030

FIG. 4 ARBOL DE LEVAS & CADENA CAMSHAFT & CHAIN



5HHB280-E040

| REF. Nº | CODIGO Nº PART NO. | DESCRIPCION DESCRIPTION | SFRA | | | | OBSERVACIONES REMARKS |
|---------|--------------------|--|------|--|--|--|-----------------------|
| 1 | 5HH-E2170-20 | ARBOL DE LEVAS COMPLETO 1 CAMSHAFT ASSY 1 | 1 | | | | |
| 2 | 93306-003X0 | .COJINETE .BEARING | 1 | | | | |
| 3 | 93210-108B1 | .ANILLO O .O-RING | 1 | | | | |
| 4 | 90387-16804 | .ESPACIADOR .COLLAR | 1 | | | | |
| 5 | 93306-002Y5 | COJINETE BEARING | 1 | | | | |
| 6 | 5HH-E111F-00 | PLACA PLATE | 1 | | | | |
| 7 | 9131M-06012 | PERNO BOLT | 1 | | | | |
| 8 | 5VL-E2176-10 | CATALINA DE CADENA SPROCKET, CAM CHAIN | 1 | | | | |
| 9 | 90201-08326 | ARANDELA PLANA WASHER, PLATE | 1 | | | | |
| 10 | 90101-08W10 | TORNILLO BOLT | 1 | | | | |
| 11 | 94582-18090 | CADENA CHAIN | 1 | | | | |
| 12 | 5HH-E2231-10 | TOPE DE GUIA 1 GUIDE, STOPPER 1 | 1 | | | | |
| 13 | 5HH-E2241-10 | TOPE DE GUIA 2 GUIDE, STOPPER 2 | 1 | | | | |
| 14 | 5HH-E5598-00 | COLLAR COLLAR | 1 | | | | |
| 15 | 9580M-06020 | TORNILLO BOLT, FLANGE | 1 | | | | |
| 16 | 5VL-12210-10 | TENSOR CADENA DE LEVA TENSIONER ASSY, CAM CHAIN | 1 | | | | |
| 17 | 5HH-E2213-00 | EMPAQUE DE CAJA TENSOR GASKET, TENSIONER CASE | 1 | | | | |
| 18 | 9502M-06016 | PERNO, DE BRIDA BOLT, FLANGE | 2 | | | | |
| 19 | 90430-06817 | JUNTA GASKET | 2 | | | | |
| | | | | | | | |
| | | | | | | | |
| | | | | | | | |

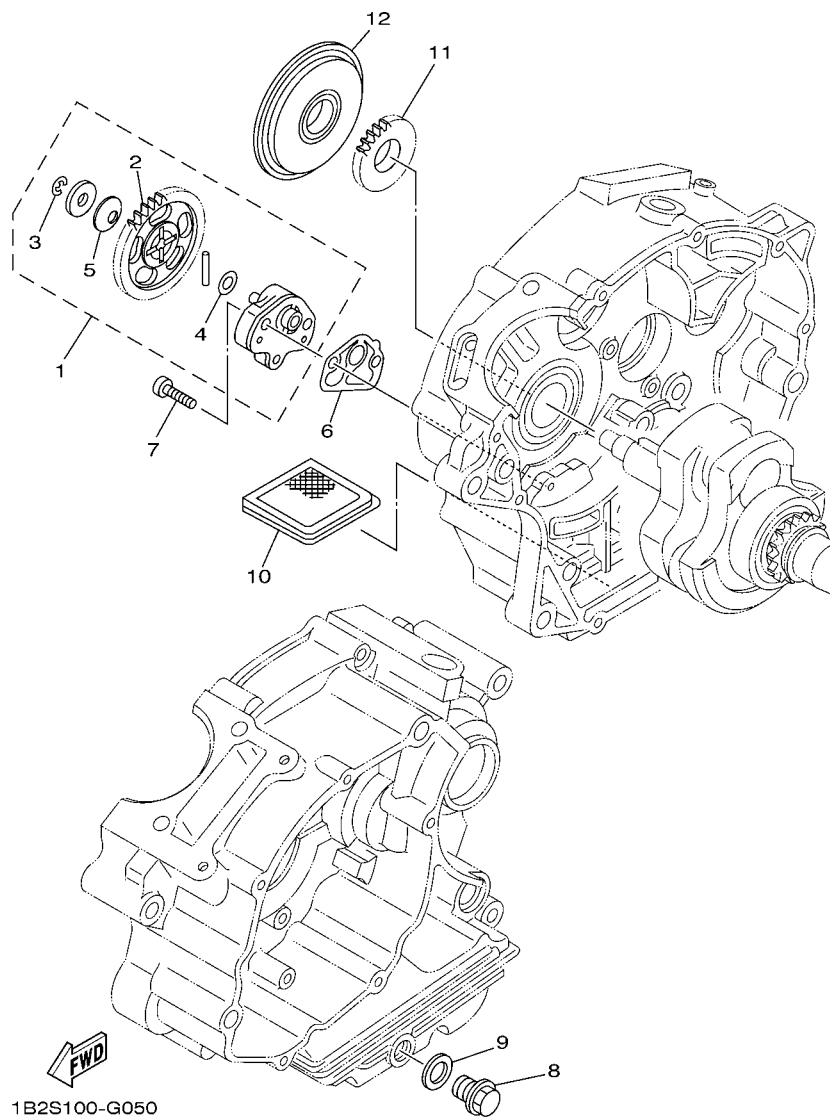


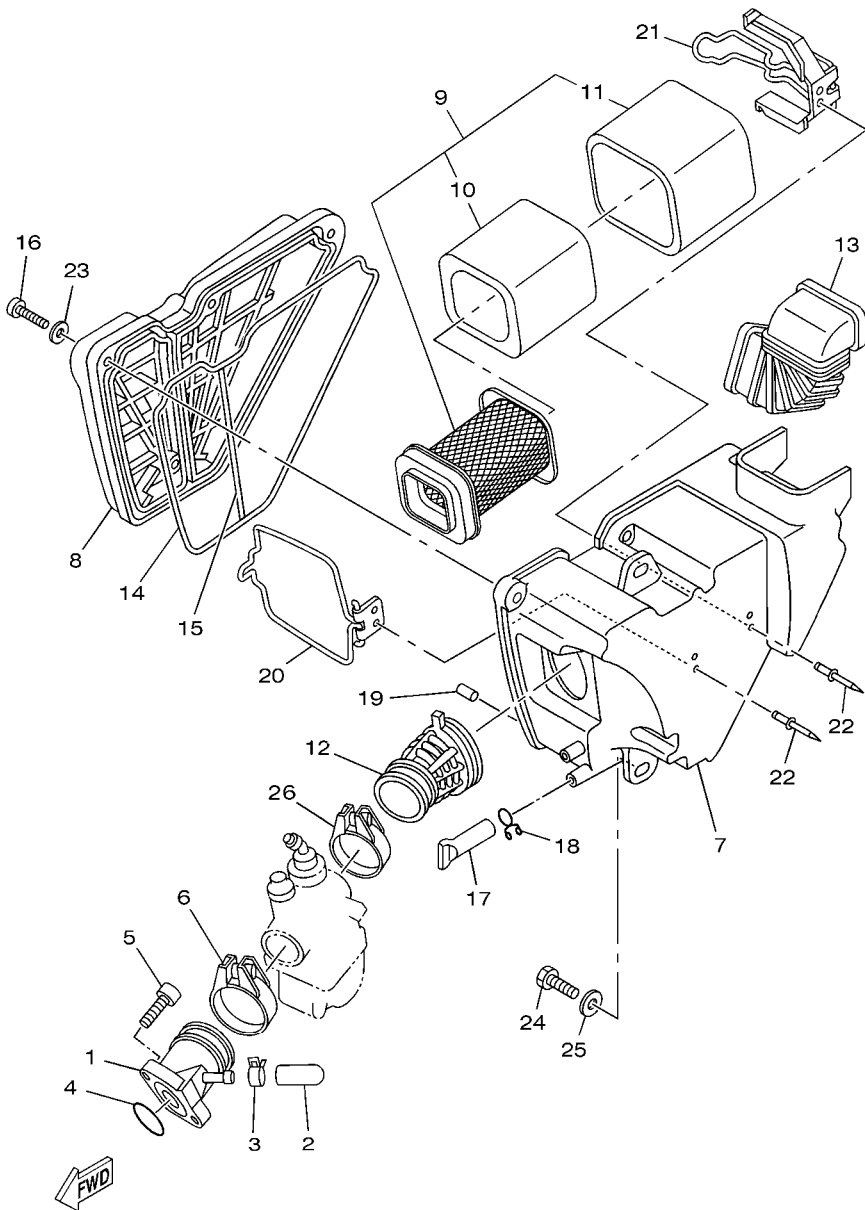
FIG. 5 BOMBA DE ACEITE OIL PUMP

| REF. Nº | CODIGO Nº PART NO. | DESCRIPCION DESCRIPTION | SFRA | | | | OBSERVACIONES REMARKS |
|---------|--------------------|--|------|--|--|--|-----------------------|
| 1 | 5VL-E3300-00 | BOMBA DE ACEITE COMPLETA OIL PUMP ASSY | 1 | | | | |
| 2 | 5VL-E3325-00 | .ENGRANAJE IMPULSOR DE BOMBA 1 .GEAR, PUMP DRIVEN | 1 | | | | |
| 3 | 99001-05600 | .PRESILLA REDONDA .CIRCLIP | 1 | | | | |
| 4 | 90201-07641 | .ARANDELA PLANA .WASHER, PLATE | 1 | | | | |
| 5 | 90208-07052 | .ARANDELA DE RESORTE CONICO .WASHER, CONICAL SPRING | 1 | | | | |
| 6 | 5HH-E3329-00 | EMPAQUE TAPA DE BOMBA GASKET, PUMP COVER | 1 | | | | |
| 7 | 90155-06800 | TORNILLO CABEZA PLANA RAN. SCREW, FLAT FILLISTER | 2 | | | | |
| 8 | 90340-12097 | TORNILLO, DE DRENAJE PLUG, STRAIGHT SCREW | 1 | | | | |
| 9 | 90430-12227 | JUNTA GASKET | 1 | | | | |
| 10 | 5HH-E3411-00 | FILTRO DE ACEITE STRAINER, OIL | 1 | | | | |
| 11 | 5VL-E3324-00 | ENGRANAJE TRACC. DE BOMBA GEAR, PUMP DRIVE | 1 | | | | |
| 12 | 5VL-E3451-00 | FILTRE ROTATIVO FILTER, ROTARY | 1 | | | | |
| | | | | | | | |
| | | | | | | | |
| | | | | | | | |
| | | | | | | | |
| | | | | | | | |
| | | | | | | | |
| | | | | | | | |
| | | | | | | | |

FIG. 6 ADMISION

INTAKE

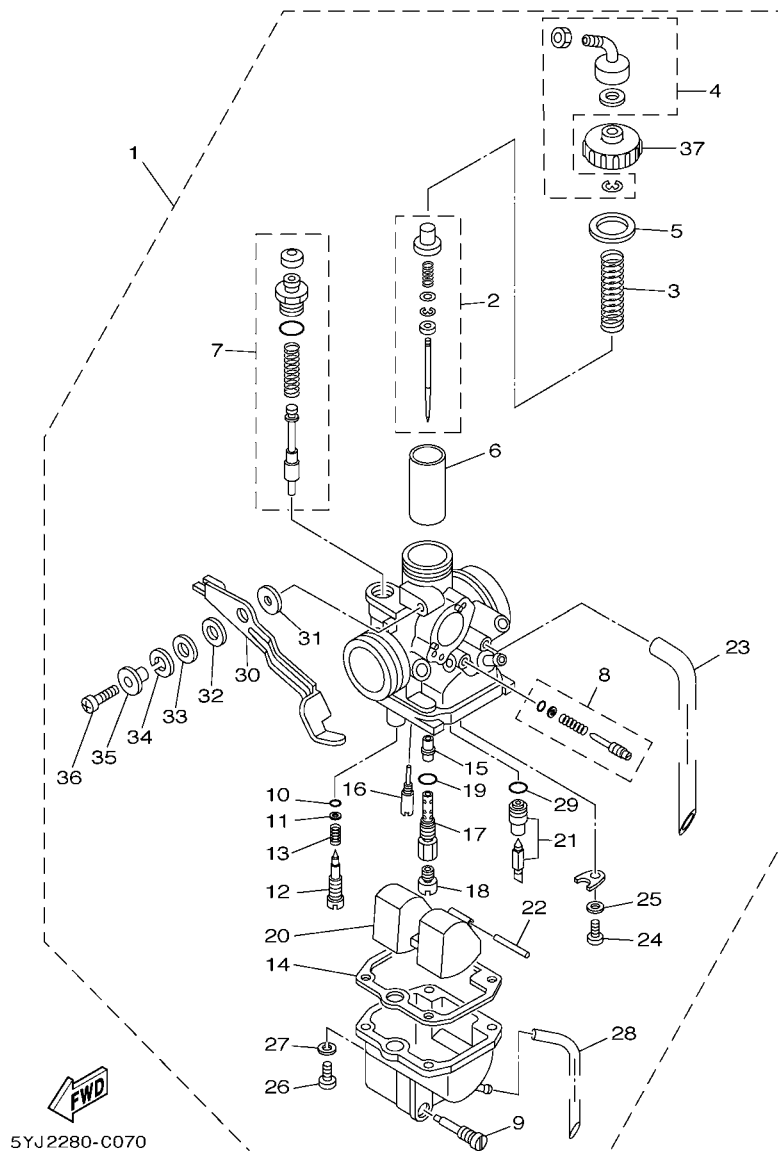
| REF. Nº | CODIGO Nº PART NO. | DESCRIPCION DESCRIPTION | SFRA | | | | OBSERVACIONES REMARKS |
|---------|--------------------|---|------|--|--|--|-----------------------|
| 1 | 5HH-E3586-00 | TOBERA DE CARBURADOR 1 JOINT, CARBURETOR 1 | 1 | | | | |
| 2 | 5HH-E3569-00 | TAPON CIEGO PLUG, BLIND | 1 | | | | |
| 3 | 90467-10819 | PRESILLA CLIP | 1 | | | | |
| 4 | 93210-30800 | ANILLO O O-RING | 1 | | | | |
| 5 | 9131M-06020 | PERNO BOLT | 2 | | | | |
| 6 | 90450-44062 | BRIDA, MANGUERA HOSE CLAMP ASSY | 1 | | | | |
| 7 | 5HH-E4411-00 | CAJA FILTRO DEL AIRE 1 CASE, AIR CLEANER 1 | 1 | | | | |
| 8 | 5HH-E4412-00 | TAPA CAJA DEL FILTRO 1 CAP, CLEANER CASE 1 | 1 | | | | |
| 9 | 5HH-E4450-00 | ELEMENTO COMP.FILTRO DE AIRE ELEMENT ASSY, AIR CLEANER | 1 | | | | |
| 10 | 5HH-E4451-00 | ELEMENTO DEL FILTRO DEL AIRE ELEMENT, AIR CLEANER | 1 | | | | |
| 11 | 5HH-E4461-00 | ELEMENTO COMPLETO ELEMENT, AIR CLEANER 2 | 1 | | | | |
| 12 | 5HH-E4453-00 | UNION DEL FILTRO DEL AIRE 1 JOINT, AIR CLEANER 1 | 1 | | | | |
| 13 | 5HH-E4437-00 | CONDUCTO DUCT | 1 | | | | |
| 14 | 5HH-E4452-00 | SELLO SEAL | 1 | | | | |
| 15 | 5HH-E4462-00 | SELLO SEAL | 1 | | | | |
| 16 | 9851M-06025 | TORNILLO DE CABEZA CON PLANA SCREW, PAN HEAD | 4 | | | | |
| 17 | 5HH-E443E-01 | TUBO, DRENAJE PIPE, DRAIN | 1 | | | | |
| 18 | 90467-15012 | PRESILLA CLIP | 1 | | | | |
| 19 | 5HH-E4462-10 | SELLO SEAL | 1 | | | | |
| 20 | 5HH-E4415-00 | SOPORTE DE CABLE HOLDER, WIRE | 1 | | | | |
| 21 | 5HH-E4459-00 | SOPORTE DE GUIA HOLDER, GUIDE | 1 | | | | |
| 22 | 90267-40811 | REMACHE CIEGO RIVET, BLIND | 4 | | | | |
| 23 | 9290M-06600 | ARANDELA WASHER | 4 | | | | |
| 24 | 9700M-06016 | PERNO BOLT | 2 | | | | |
| 25 | 90201-06804 | ARANDELA PLANA WASHER, PLATE | 2 | | | | |
| 26 | 90460-46206 | BRIDA, DE UNION CLAMP, HOSE | 1 | | | | |



5RR9280-F060

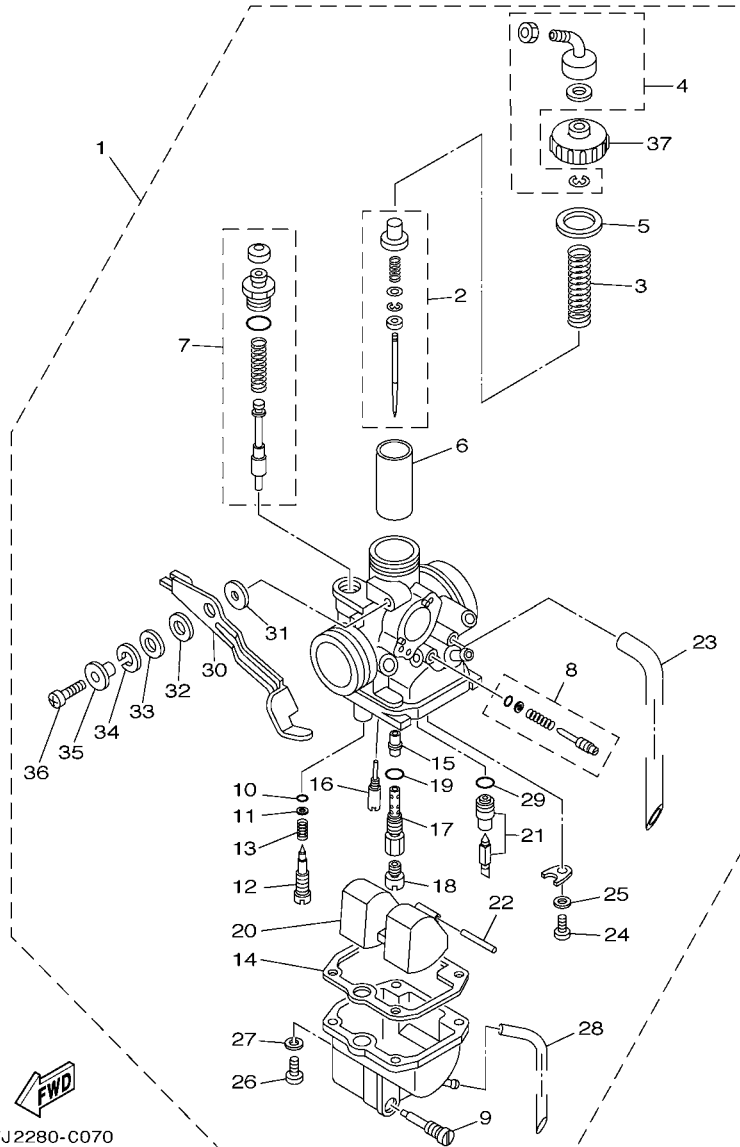
FIG. 7 CARBURADOR

CARBURETOR



5YJ2280-C070

| REF. Nº | CODIGO Nº PART NO. | DESCRIPCION DESCRIPTION | SFRA | | | | OBSERVACIONES REMARKS |
|---------|--------------------|--|------|--|--|--|-----------------------|
| 1 | 5RR-E4101-00 | CARBURADOR COMPLETO 1 CARBURETOR ASSY 1 | 1 | | | | |
| 2 | 5HH-1490J-00 | .CJTO. AGUJA .NEEDLE SET | 1 | | | | |
| 3 | 4LS-14131-00 | .RESORTE VALVULA DE ACELERACION .SPRING, THROTTLE VALVE | 1 | | | | |
| 4 | 5DG-14106-00 | .TORNILLO AJUSTADOR DE CABLE .CABLE ADJUST SCREW SET | 1 | | | | |
| 5 | 4LS-14126-00 | .EMPAQUE .GASKET | 1 | | | | |
| 6 | 5HH-14112-25 | .VALVULA DE ACELERACION 1 .VALVE, THROTTLE 1 | 1 | | | | |
| 7 | 5HH-1410A-00 | .JUEGO DE ARRANQUE .STARTER SET | 1 | | | | |
| 8 | 5HH-14103-00 | .CJTO. TORNILLO DEL RALENTI .THROTTLE SCREW SET | 1 | | | | |
| 9 | 4LS-14191-00 | .TORNILLO, DE DRENAJE .PLUG, DRAIN | 1 | | | | |
| 10 | 3H1-14147-00 | .ANILLO O .O-RING | 1 | | | | |
| 11 | 3H1-14962-00 | .ARANDELA .WASHER | 1 | | | | |
| 12 | 5AP-14923-00 | .TORNILLO DE AJUSTE .SCREW, PILOT | 1 | | | | |
| 13 | 5K7-14134-00 | .RESORTE AJUSTE DE VALVULA .SPRING, AIR ADJUSTING | 1 | | | | |
| 14 | 24W-14184-00 | .JUNTA, CAMARA DE BOYA .GASKET, FLOAT CHAMBER | 1 | | | | |
| 15 | 21V-14141-28 | .BOQUILLA PRINCIPAL .NOZZLE, MAIN | 1 | | | | |
| 16 | 4KM-14142-15 | .SURTIDOR DE RALENTI (# 15) .JET, PILOT (# 15) | 1 | | | | |
| 17 | 5HH-14145-00 | .ESPREA .SETTER, NEEDLE JET | 1 | | | | |
| 18 | 620-1423A-70 | .INYECTOR, PRINCIPAL (# 97.5) .JET, MAIN (#97.5) | 1 | | | | |
| 19 | 583-14561-00 | .ANILLO O .O-RING | 1 | | | | |
| 20 | 5HH-14185-00 | .BOYA .FLOAT | 1 | | | | |
| 21 | 5HH-14107-18 | .VALVULA DE AGUJA .NEEDLE VALVE SET | 1 | | | | |
| 22 | 127-14186-00 | .PASADOR DE LA BOYA .PIN, FLOAT | 1 | | | | |
| 23 | 4LS-14197-10 | .TUBO RESPIRADERO .PIPE | 1 | | | | |
| 24 | 98507-03006 | .TORNILLO DE CABEZA PLANA .SCREW, PAN HEAD | 1 | | | | |
| 25 | 92907-03100 | .ARANDELA .WASHER, SPRING | 1 | | | | |
| 26 | 98507-04014 | .TORNILLO DE CABEZA PLANA .SCREW, PAN HEAD | 4 | | | | |
| 27 | 92907-04100 | .ARANDELA DE RESORTE .WASHER, SPRING | 4 | | | | |



5YJ2280-C070

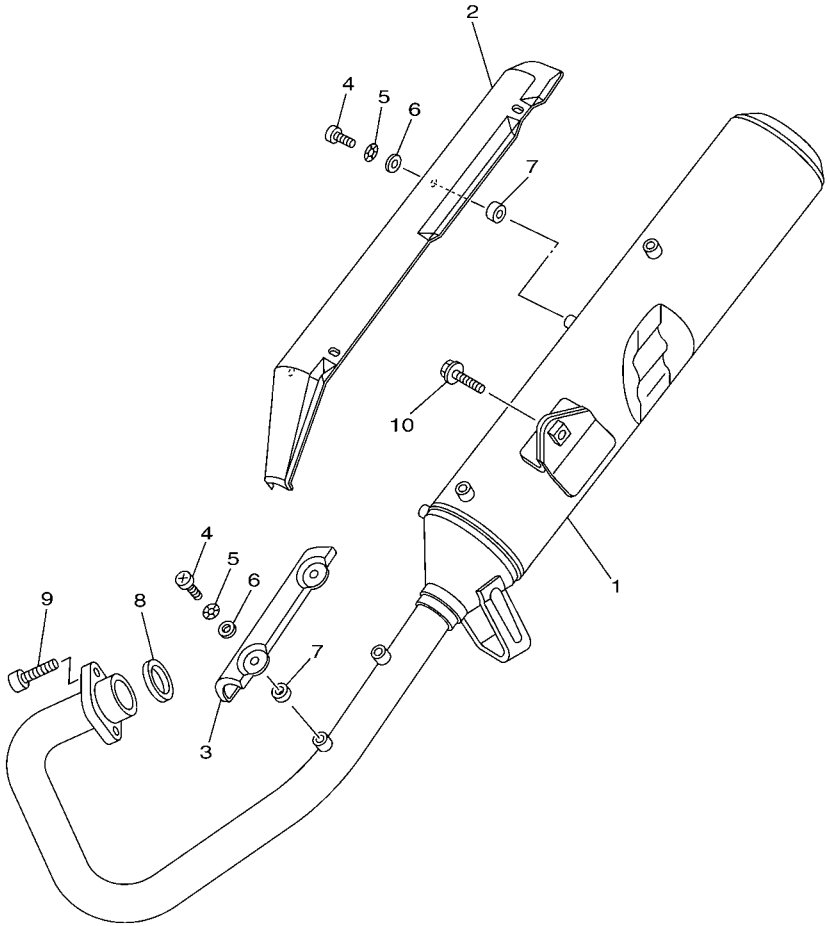
FIG. 7 CARBURADOR

CARBURETOR

| REF. N° | CODIGO N° PART NO. | DESCRIPCION DESCRIPTION | SFRA | | | OBSERVACIONES REMARKS |
|---------|--------------------|--|------|--|--|-----------------------|
| 28 | 2AL-14196-00 | .TUBO DE DRENASE .PIPE | 1 | | | |
| 29 | 4LS-14147-00 | .ANILLO O .O-RING | 1 | | | |
| 30 | 5HH-14276-00 | .PALANCA .LEVER | 1 | | | |
| 31 | 3SP-14179-00 | .ARANDELA PALANCA ARRANQUE .WASHER, STARTER LEVER | 1 | | | |
| 32 | 3SP-14194-00 | .ANILLO .RING | 1 | | | |
| 33 | 3SP-14128-00 | .ARANDELA .WASHER | 1 | | | |
| 34 | 92907-08100 | .ARANDELA .WASHER, SPRING | 1 | | | |
| 35 | 3SP-14264-00 | .ESPACIADOR .COLLAR | 1 | | | |
| 36 | 3SP-14216-00 | .TORNILLO .SCREW | 1 | | | |
| 37 | 4LS-14158-00 | .TECHO DE CAMARA DE MEZCLA .TOP MIXING CHAMBER | 1 | | | |

FIG. 8 DESCARGA

EXHAUST



5NJ1276-0080

| REF. N° | CODIGO N° PART NO. | DESCRIPCION DESCRIPTION | SFRA | | | | OBSERVACIONES REMARKS |
|---------|--------------------|--|------|--|--|--|-----------------------|
| 1 | 5HH-E4703-11 | SILENCIADOR COMPL. 1 MUFFLER COMP. 1 | 1 | | | | |
| 2 | 5HH-E4758-00 | PROTECTOR DE SILENCIADOR PROTECTOR, SILENCER | 1 | | | | |
| 3 | 5HH-E4628-00 | PROTECTOR DE TUBO DE ESCAPE PROTECTOR, EXHAUST PIPE | 1 | | | | |
| 4 | 90149-06W04 | TORNILLO DE REGLAJE SCREW | 6 | | | | |
| 5 | 90206-06889 | ARANDELA ONDULADA WASHER, WAVE | 6 | | | | |
| 6 | 90202-06W01 | ARANDELA DE PLANA WASHER, PLATE | 6 | | | | |
| 7 | 90202-06W00 | ARANDELA DE PLANA WASHER, PLATE | 6 | | | | |
| 8 | 5HH-E4613-00 | JUNTA, TUBO DE ESCAPE GASKET, EXHAUST PIPE | 1 | | | | |
| 9 | 9131M-06020 | PERNO BOLT | 2 | | | | |
| 10 | 9581M-08020 | TORNILLO BOLT, FLANGE | 1 | | | | |
| ----- | | | | | | | |
| ----- | | | | | | | |
| ----- | | | | | | | |
| ----- | | | | | | | |
| ----- | | | | | | | |
| ----- | | | | | | | |
| ----- | | | | | | | |

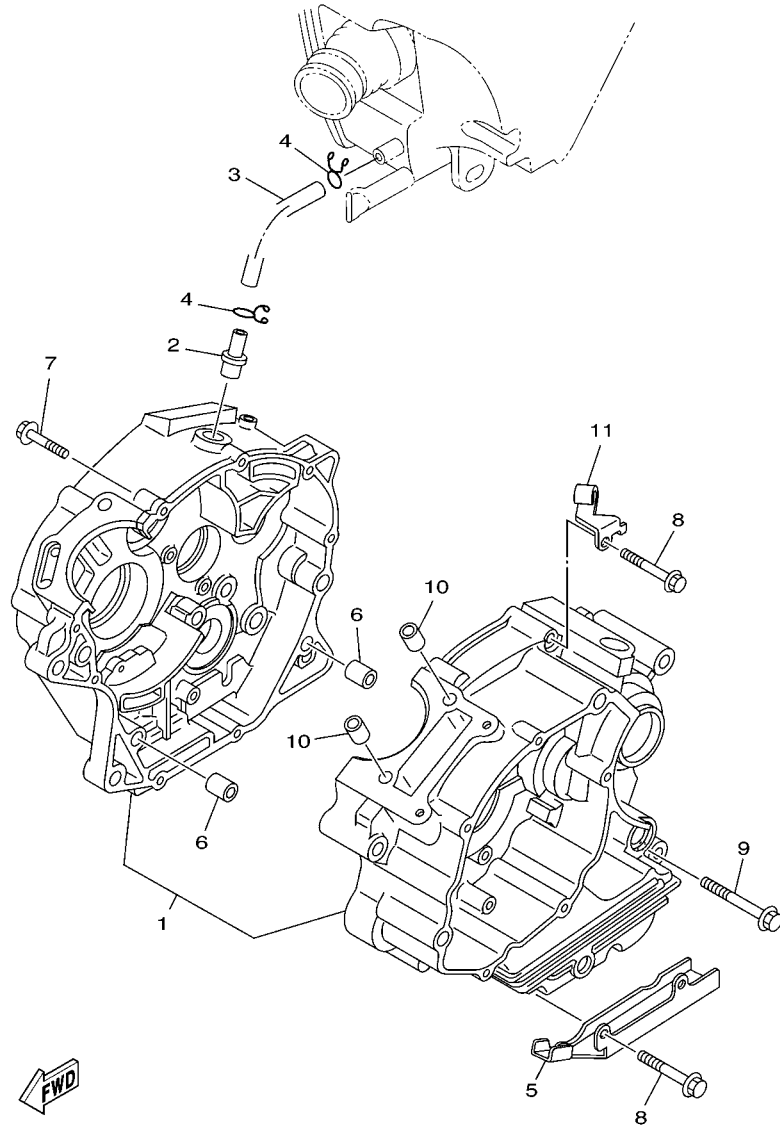


FIG. 9 CARTER

CRANKCASE

| REF. Nº | CODIGO Nº PART NO. | DESCRIPCION DESCRIPTION | SFRA | | | | OBSERVACIONES REMARKS |
|---------|--------------------|---|------|--|--|--|-----------------------|
| 1 | 5HH-E5150-40 | CARTER COMPLETO CRANKCASE ASSY | 1 | | | | |
| 2 | 5HH-E1167-00 | CUBIERTA RESPIRADERO 2 PIPE, BREATHER 2 | 1 | | | | |
| 3 | 5HH-E1166-00 | TUBO RESPIRADERO 1 PIPE, BREATHER 1 | 1 | | | | |
| 4 | 90467-13858 | PRESILLA CLIP | 2 | | | | |
| 5 | 90462-16800 | BRIDA CLAMP | 1 | | | | |
| 6 | 99530-10114 | PASADOR, DE ESPIGA PIN, DOWEL | 2 | | | | |
| 7 | 90109-06W35 | PERNO BOLT | 2 | | | | |
| 8 | 90109-06W36 | PERNO BOLT | 7 | | | | |
| 9 | 90109-06W37 | PERNO BOLT | 1 | | | | |
| 10 | 99530-10114 | PASADOR, DE ESPIGA PIN, DOWEL | 2 | | | | |
| 11 | 5HH-E5441-00 | SOSTEN DE CABLE DE EMBRAGUE HOLDER, CLUTCH CABLE | 1 | | | | |
| | | | | | | | |
| | | | | | | | |
| | | | | | | | |
| | | | | | | | |
| | | | | | | | |

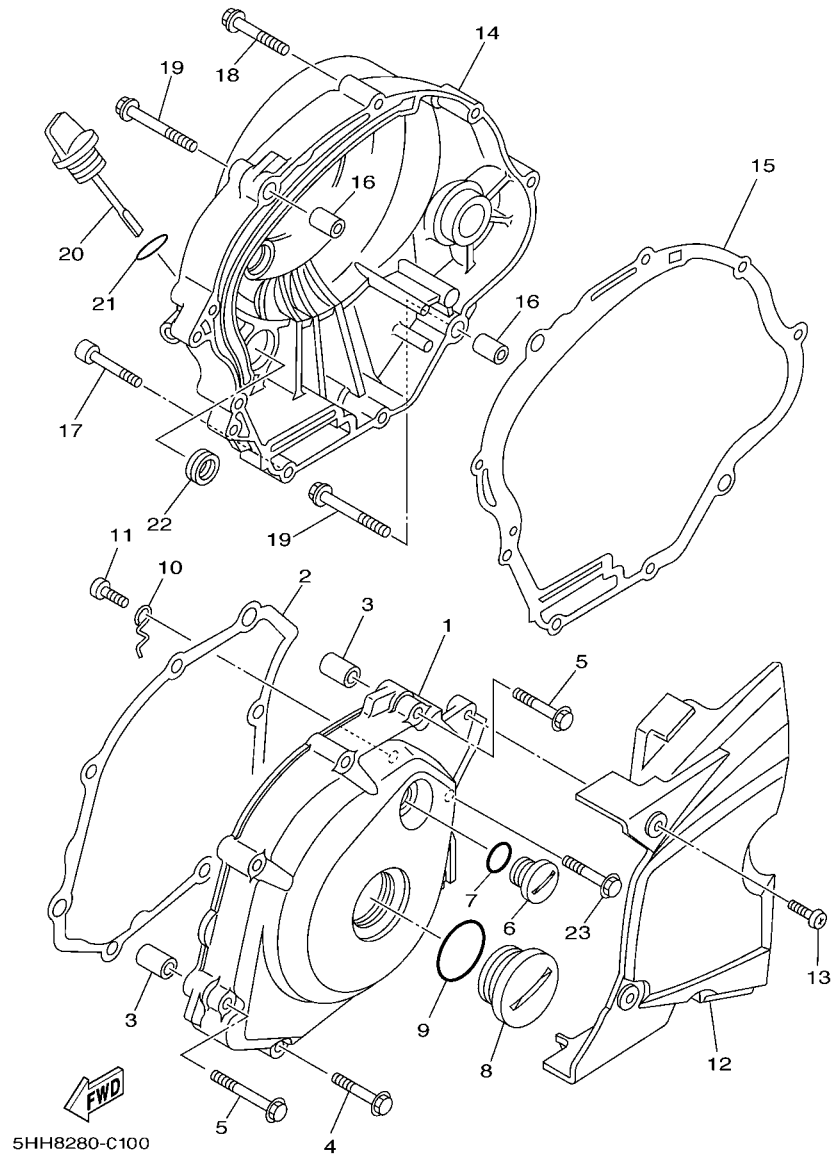


FIG. 10 CUBIERTA DE CARTER 1 CRANKCASE COVER 1

| REF. Nº | CODIGO Nº PART NO. | DESCRIPCION DESCRIPTION | SFRA | | | | OBSERVACIONES REMARKS |
|---------|--------------------|--|------|--|--|--|-----------------------|
| 1 | 5HH-E5411-01 | CUBIERTA DE CARTER 1 COVER, CRANKCASE 1 | 1 | | | | |
| 2 | 5HH-E5451-00 | EMPAQ DE CUBIERTA DE CARTER GASKET, CRANKCASE COVER 1 | 1 | | | | |
| 3 | 99530-10114 | PASADOR, DE ESPIGA PIN, DOWEL | 2 | | | | |
| 4 | 9502M-06035 | PERNO, DE BRIDA BOLT, FLANGE | 4 | | | | |
| 5 | 9502M-06045 | PERNO, DE BRIDA BOLT, FLANGE | 2 | | | | |
| 6 | 90340-14W02 | TORNILLO, DE DRENAJE PLUG, STRAIGHT SCREW | 1 | | | | |
| 7 | 93210-14800 | ANILLO O O-RING | 1 | | | | |
| 8 | 90340-32W03 | TORNILLO, DE DRENAJE PLUG, STRAIGHT SCREW | 1 | | | | |
| 9 | 93210-32800 | ANILLO O O-RING | 1 | | | | |
| 10 | 5HH-E5191-00 | PLACA PLATE | 1 | | | | |
| 11 | 9851M-06010 | TORNILLO DE CABEZA CON PLANA SCREW, PAN HEAD | 1 | | | | |
| 12 | 5HH-E5418-00 | CUBIERTA CAJA DE CADENA COVER, CHAIN CASE | 1 | | | | |
| 13 | 9890M-06016 | TORNILLO DE LIGAR SCREW, BIND | 2 | | | | |
| 14 | 5LX-E5421-00 | TAPA DE CARTER DERECHA COVER, CRANKCASE 2 | 1 | | | | |
| 15 | 5HH-E5461-00 | JUNTA TAPA CARTER DERECHO 2 GASKET, CRANKCASE COVER 2 | 1 | | | | |
| 16 | 99530-10114 | PASADOR, DE ESPIGA PIN, DOWEL | 2 | | | | |
| 17 | 91380-06035 | PERNO BOLT | 1 | | | | |
| 18 | 9502M-06035 | PERNO, DE BRIDA BOLT, FLANGE | 6 | | | | |
| 19 | 9502M-06045 | PERNO, DE BRIDA BOLT, FLANGE | 2 | | | | |
| 20 | 5HH-E5362-00 | TAPON DEL NIVEL DE ACEITE PLUG, OIL LEVEL | 1 | | | | |
| 21 | 93210-19800 | ANILLO O O-RING | 1 | | | | |
| 22 | 93101-10800 | SELLO ACEITE OIL SEAL | 1 | | | | |
| 23 | 90109-06W38 | PERNO BOLT | 1 | | | | |

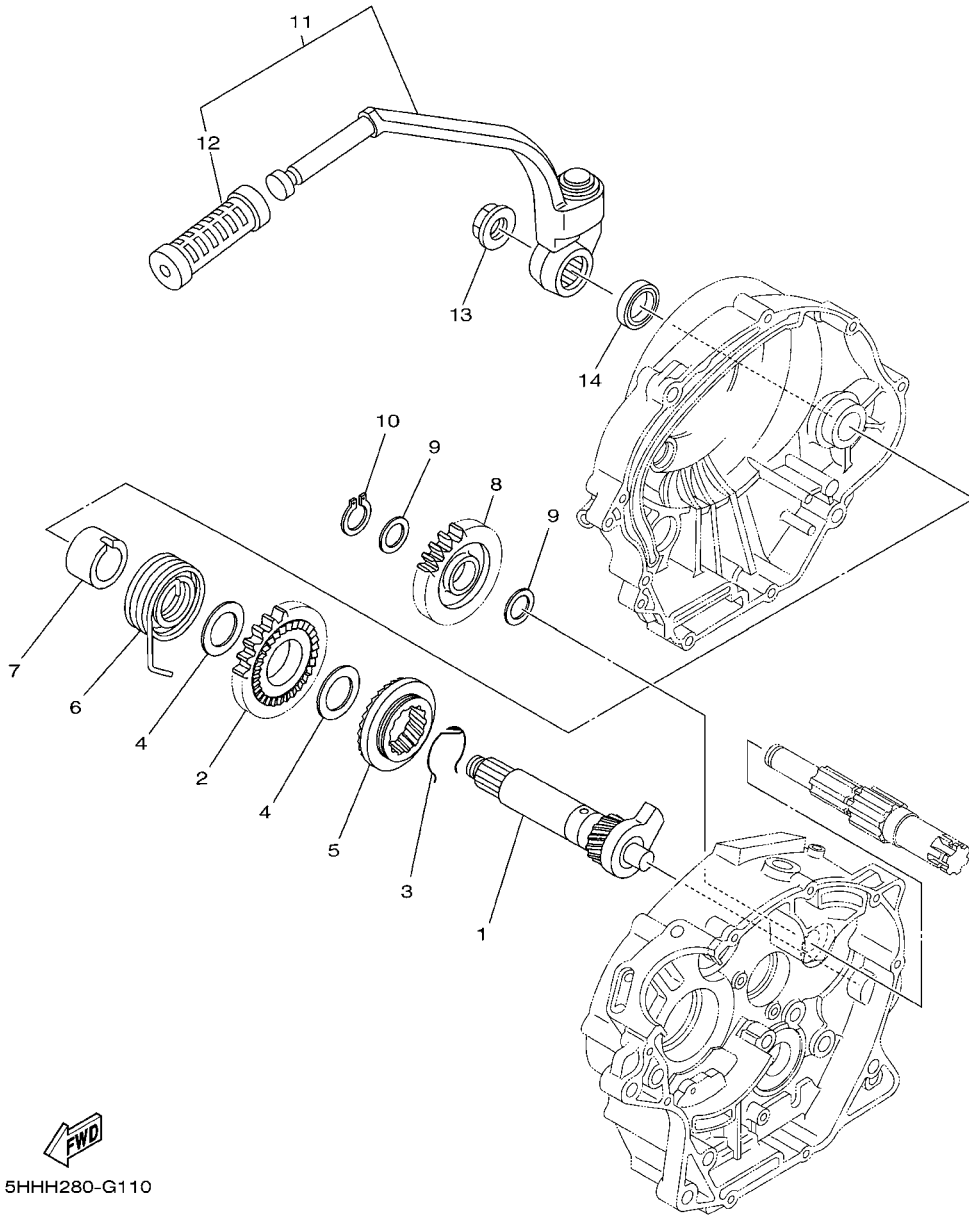
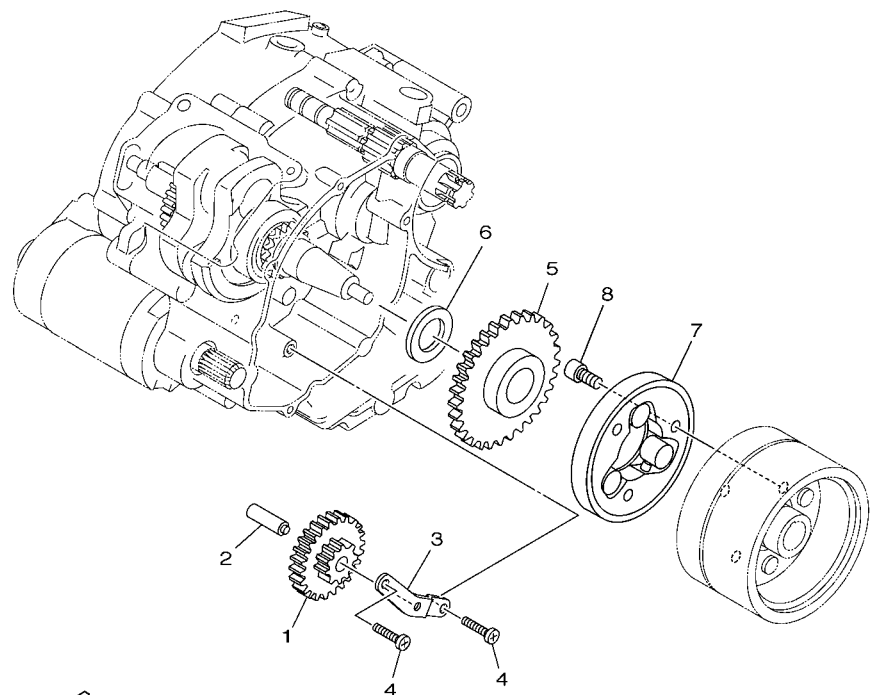


FIG. 11 ARRANQUE

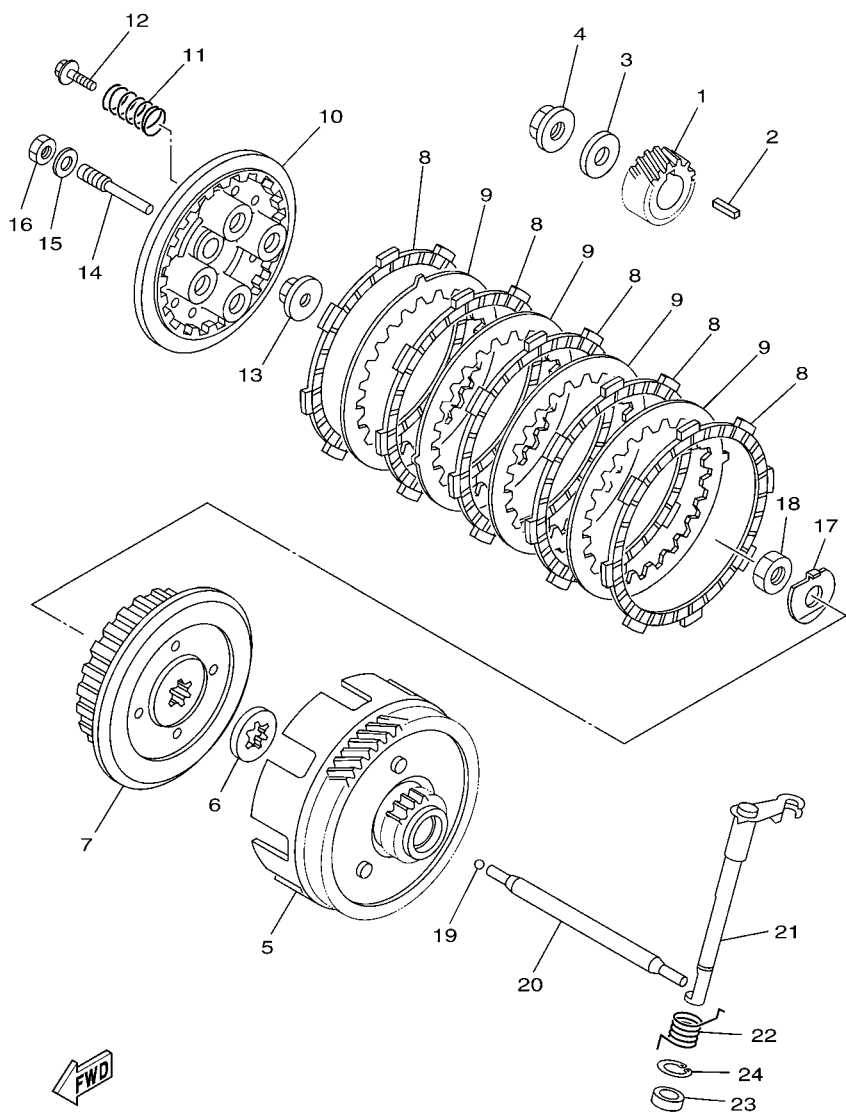
STARTER

| REF. Nº | CODIGO Nº PART NO. | DESCRIPCION DESCRIPTION | SFRA | | | OBSERVACIONES REMARKS |
|---------|--------------------|--|------|--|--|-----------------------|
| 1 | 5LX-15660-00 | EJE DEL PEDAL DE ARRAN.COMPLET KICK AXLE ASSY | 1 | | | |
| 2 | 5LX-15641-00 | ENGRANAJE PEDAL ARRANQUE GEAR, KICK | 1 | | | |
| 3 | 90468-26048 | PRESILLA CLIP | 1 | | | |
| 4 | 90201-202L3 | ARANDELA DE PLACA(0.5T) WASHER, PLATE (0.5T) | 2 | | | |
| 5 | 5LX-E5671-00 | RUEDA DE TRINQUETE WHEEL, RATCHET | 1 | | | |
| 6 | 90508-26667 | RESORTE DE TORSION SPRING, TORSION | 1 | | | |
| 7 | 5LX-E5666-00 | SEPARADOR SPACER | 1 | | | |
| 8 | 5LX-15651-00 | PINON LIBRE, PEDAL ARRANQUE GEAR, KICK IDLE | 1 | | | |
| 9 | 90201-177G4 | ARANDELA PLANA WASHER, PLATE | 2 | | | |
| 10 | 99009-17400 | PRESILLA REDONDA CIRCLIP | 1 | | | |
| 11 | 5VL-E5620-00 | PEDAL DE ARRANQUE COMPLETO KICK CRANK ASSY | 1 | | | |
| 12 | 47V-E5618-00 | .GOMA PROTECTORA, PEDAL .COVER, KICK LEVER | 1 | | | |
| 13 | 90179-12813 | TUERCA NUT | 1 | | | |
| 14 | 93109-20014 | RETEN DE ACEITE OIL SEAL | 1 | | | |

FIG. 12 EMBRAGUE DEL ARRANQUE STARTER CLUTCH

5RR9280-F120

| REF. Nº | CODIGO Nº PART NO. | DESCRIPCION DESCRIPTION | SFRA | | | | OBSERVACIONES REMARKS |
|------------|-----------------------|---|------|--|--|--|--------------------------|
| 1 | 5VL-E5512-00 | ENGRENAJE NEUTRO GEAR, IDLER 1 | 1 | | | | |
| 2 | 5HH-E5521-00 | EJE 1 SHAFT 1 | 1 | | | | |
| 3 | 5HH-E5532-00 | PLACA DE ENGRENAGE NEUTRO PLATE, IDLE GEAR | 1 | | | | |
| 4 | 9851M-06012 | TORNILLO DE CABEZA CON PLANA SCREW, PAN HEAD | 2 | | | | |
| 5 | 5VL-E5517-00 | ENGRENAJE POSICION 2DA GEAR, IDLER 2 | 1 | | | | |
| 6 | 90201-25290 | ARANDELA PLANA WASHER, PLATE | 1 | | | | |
| 7 | 4FP-E5580-00 | ENSAMBLE EXT.EMBRAGUE ARRANQUE STARTER CLUTCH OUTER ASSY | 1 | | | | |
| 8 | 9131M-08016 | PERNO BOLT | 3 | | | | |
| ----- | | | | | | | |
| ----- | | | | | | | |
| ----- | | | | | | | |
| ----- | | | | | | | |
| ----- | | | | | | | |
| ----- | | | | | | | |
| ----- | | | | | | | |
| ----- | | | | | | | |

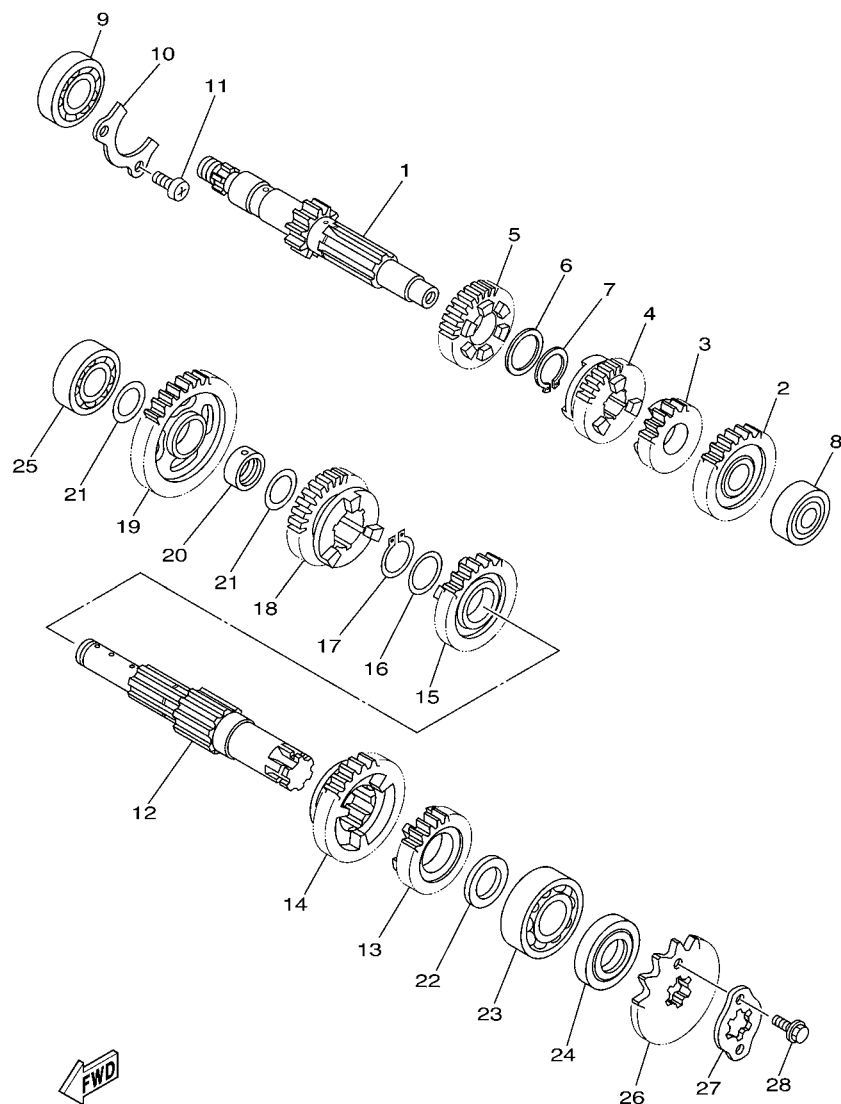


5HHH280-G130

FIG. 13 EMBRAGUE

CLUTCH

| REF. Nº | CODIGO Nº PART NO. | DESCRIPCION DESCRIPTION | SFRRA | | | | OBSERVACIONES REMARKS |
|---------|--------------------|---|-------|--|--|--|-----------------------|
| 1 | 5RE-16111-00 | ENGRANAJE TRACC.PRIMARIA GEAR, PRIMARY DRIVE | 1 | | | | |
| 2 | 90282-05001 | CHAVETA, RECTA (5MMX16MM) KEY, STRAIGHT (5MMX16MM) | 1 | | | | |
| 3 | 90201-122H1 | ARANDELA PLANA WASHER, PLATE | 1 | | | | |
| 4 | 90179-12813 | TUERCA NUT | 1 | | | | |
| 5 | 5RM-E6150-10 | CAMPANA DE EMBRAGUE PRIMARY DRIVEN GEAR COMP. | 1 | | | | |
| 6 | 5RM-E6154-00 | ARANDELA, DE EMPUJE 1 PLATE, THRUST 1 | 1 | | | | |
| 7 | 5RM-E6371-00 | CUBO, DE EMBRAGUE BOSS, CLUTCH | 1 | | | | |
| 8 | 5HH-E6321-00 | PLACA DE FRICCION PLATE, FRICTION | 5 | | | | |
| 9 | 5RM-E6324-00 | PLACA DE EMBRAGUE PLATE, CLUTCH 1 | 4 | | | | |
| 10 | 5RM-E6351-00 | PLATO DE PRESION PLATE, PRESSURE 1 | 1 | | | | |
| 11 | 5RM-E6333-00 | RESORTE DE EMBRAGUE 1 SPRING, CLUTCH 1 | 4 | | | | |
| 12 | 5RM-E6337-00 | TORNILLO DE RESORTE SCREW, SPRING | 4 | | | | |
| 13 | 5RM-E6358-00 | PLACA DE EMPUJE PLATE, PUSH | 1 | | | | |
| 14 | 5RM-E6356-00 | VARILLA DE EMPUJE 1 ROD, PUSH 1 | 1 | | | | |
| 15 | 5RM-E6628-00 | ARANDELA WASHER | 1 | | | | |
| 16 | 5RM-E6377-00 | TUERCA DE CIERRE NUT, LOCK | 1 | | | | |
| 17 | 90215-12211 | ARANDELA DE CIERRE WASHER, LOCK | 1 | | | | |
| 18 | 90170-12060 | TUERCA NUT | 1 | | | | |
| 19 | 93503-16802 | ESFERA BALL | 1 | | | | |
| 20 | 5HH-E6357-00 | VARILLA DE EMPUJE 2 ROD, PUSH 2 | 1 | | | | |
| 21 | 5HH-E6381-10 | CONJ. PALANCA DE EMPUJE PUSH LEVER COMP. | 1 | | | | |
| 22 | 90508-16802 | RESORTE DE TORSION SPRING, TORSION | 1 | | | | |
| 23 | 93102-12224 | SELLO ACEITE OIL SEAL | 1 | | | | |
| 24 | 99009-20500 | PRESILLA REDONDA CIRCLIP | 1 | | | | |



5HHH280-G140

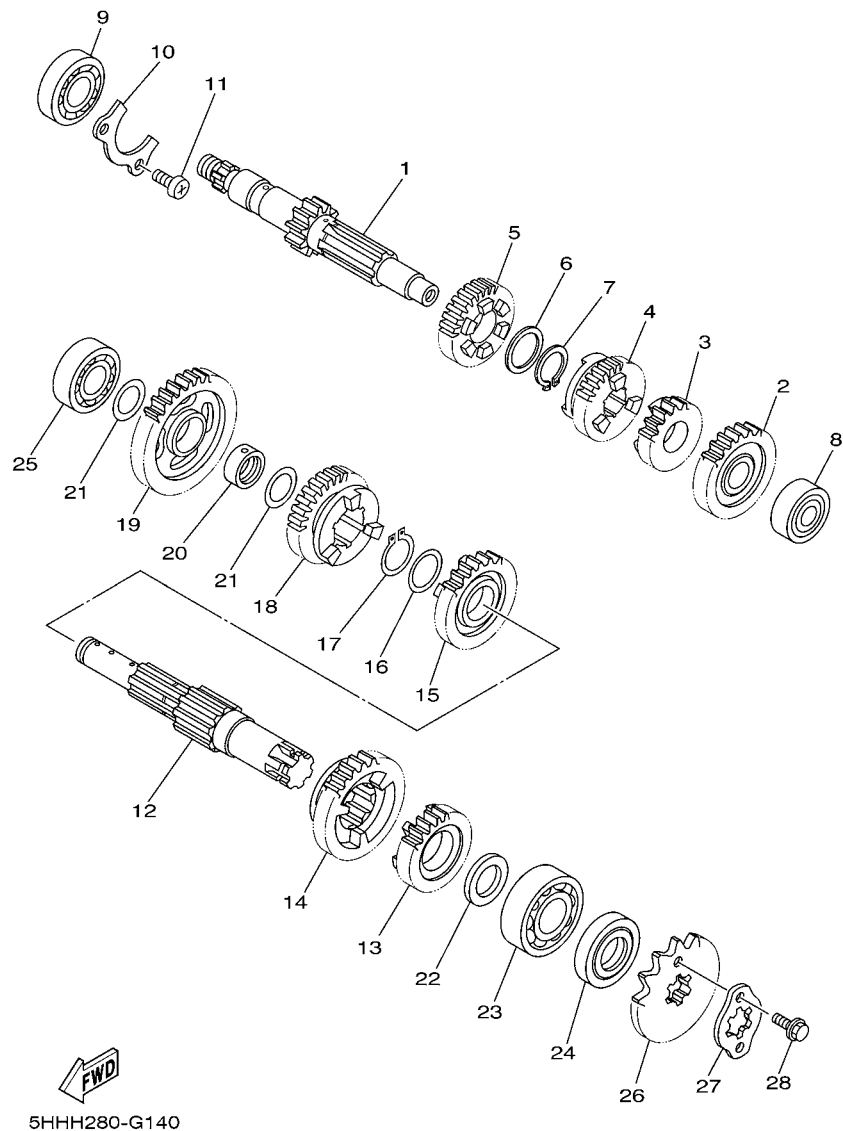
FIG. 14 TRANSMISION

TRANSMISION

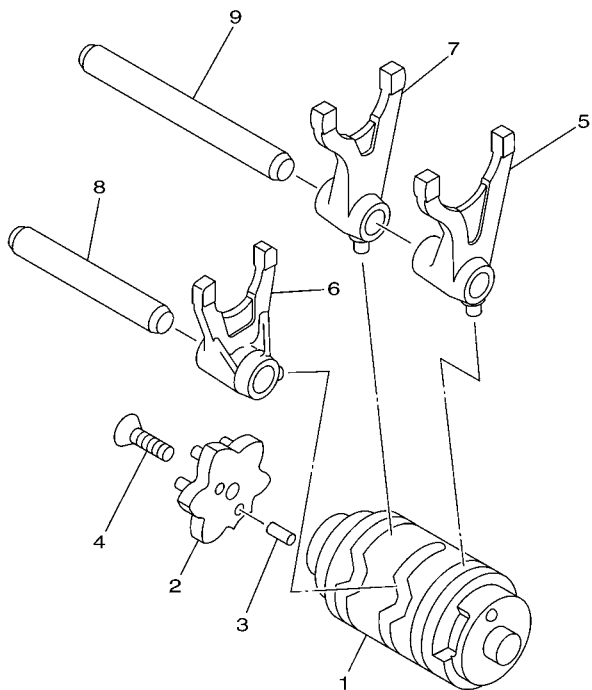
| REF. Nº | CODIGO Nº PART NO. | DESCRIPCION DESCRIPTION | SFRA | | | | OBSERVACIONES REMARKS |
|---------|--------------------|---|------|--|--|--|-----------------------|
| 1 | 5HH-E7411-10 | EJE PRIMARIO AXLE, MAIN | 1 | | | | |
| 2 | 5HH-E7151-20 | ENGRANAJE PINON DE 5TA GEAR, 5TH PINION | 1 | | | | |
| 3 | 5HH-E7121-20 | ENGRANAJE DE PINON DE 2DA GEAR, 2ND PINION | 1 | | | | |
| 4 | 5AP-17131-00 | ENGRANAJE PINON DE 3RA (19T) GEAR, 3RD PINION (19T) | 1 | | | | |
| 5 | 5HH-E7141-20 | ENGRANAJE PINON DE 4TA GEAR, 4TH PINION | 1 | | | | |
| 6 | 90201-20266 | ARANDELA, PLACA (T=1.0) WASHER, PLATE (T=1.0) | 1 | | | | |
| 7 | 93410-20809 | SEGURO CIRCLIP | 1 | | | | |
| 8 | 93306-201X3 | COJINETE BEARING | 1 | | | | |
| 9 | 93306-203YG | COJINETE BEARING | 1 | | | | |
| 10 | 5HH-E7471-00 | PLACA, DE CUBIERTA PLATE, COVER | 1 | | | | |
| 11 | 9851M-06014 | TORNILLO DE CABEZA CON PLANA SCREW, PAN HEAD | 2 | | | | |
| 12 | 5HH-E7402-30 | EJE DE TRACCION COMPLETO DRIVE AXLE ASSY | 1 | | | | |
| 13 | 5HH-E7251-20 | ENGRANAJE RUEDA DE 5TA GEAR, 5TH WHEEL | 1 | | | | |
| 14 | 5HH-E7221-20 | ENGRANAJE RUEDA DE 2DA GEAR, 2ND WHEEL | 1 | | | | |
| 15 | 5LX-E7231-10 | ENGRANAJE RUEDA DE 3RA GEAR, 3RD WHEEL | 1 | | | | |
| 16 | 90214-19002 | ARANDELA DE POSICION WASHER, CLAW | 1 | | | | |
| 17 | 93410-22039 | SEGURO CIRCLIP | 1 | | | | |
| 18 | 5HH-E7241-00 | ENGRANAJE DE RUEDA 4TA GEAR, 4TH WHEEL | 1 | | | | |
| 19 | 5HH-E7211-20 | ENGRANAJE RUEDA DE 1 RA GEAR, 1ST WHEEL | 1 | | | | |
| 20 | 5LX-E7258-00 | COLLAR 1 COLLAR 1 | 1 | | | | |
| 21 | 90201-177G4 | ARANDELA PLANA WASHER, PLATE | 2 | | | | |
| 22 | 90201-20272 | ARANDELA PLANA WASHER, PLATE | 1 | | | | |
| 23 | 93306-204X8 | COJINETE BEARING | 1 | | | | |
| 24 | 93102-20143 | SELLO ACEITE OIL SEAL | 1 | | | | |
| 25 | 93306-203XD | COJINETE BEARING | 1 | | | | |
| 26 | 93822-14043 | RUEDA DENTAD (14T) SPROCKET,DRIVE (14T) | 1 | | | | |
| 27 | 4AN-E7456-00 | SOPORTE DE CORONA HOLDER, SPROCKET | 1 | | | | |

FIG. 14 TRANSMISION

TRANSMISION



| REF. Nº | CODIGO Nº PART NO. | DESCRIPCION DESCRIPTION | SFRA | | | | OBSERVACIONES REMARKS |
|---------|--------------------|---------------------------------|------|--|--|--|-----------------------|
| 28 | 9502M-06010 | PERNO, DE BRIDA BOLT, FLANGE | 2 | | | | |
| ----- | | | | | | | |
| ----- | | | | | | | |
| ----- | | | | | | | |
| ----- | | | | | | | |
| ----- | | | | | | | |
| ----- | | | | | | | |
| ----- | | | | | | | |
| ----- | | | | | | | |
| ----- | | | | | | | |
| ----- | | | | | | | |
| ----- | | | | | | | |



5HH8280-C150

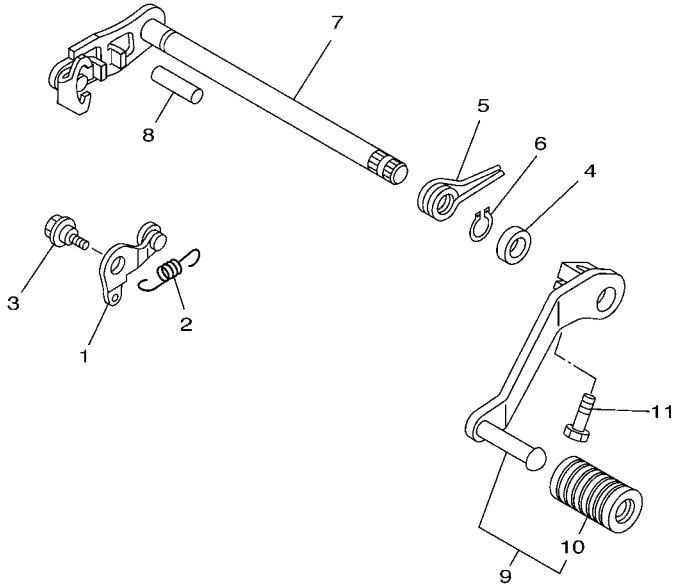
FIG. 15 LEVA DE CAMBIO & HORQUILLA SHIFT CAM & FORK

| REF. Nº | CODIGO Nº PART NO. | DESCRIPCION DESCRIPTION | SFRA | | | | OBSERVACIONES REMARKS |
|---------|-----------------------|--|------|--|--|--|--------------------------|
| 1 | 5HH-E8540-00 | LEVA DEL CAMBIO COMPLETA SHIFT CAM ASSY | 1 | | | | |
| 2 | 5HH-E8185-00 | SEGMENTO DE RETENCION SEGMENT | 1 | | | | |
| 3 | 93604-10011 | PASADOR DE CLAVIJA PIN, DOWEL | 2 | | | | |
| 4 | 90149-06W03 | TORNILLO DE REGLAJE SCREW | 1 | | | | |
| 5 | 5HH-E8511-00 | HORQUILLA DEL CAMBIO 1 FORK, SHIFT 1 | 1 | | | | |
| 6 | 5HH-E8512-00 | HORQUILLA DEL CAMBIO 2 FORK, SHIFT 2 | 1 | | | | |
| 7 | 5HH-E8513-00 | HORQUILLA DEL CAMBIO 3 FORK, SHIFT 3 | 1 | | | | |
| 8 | 5HH-E8531-00 | BARRA GUIA HORQ. CAMBIO 1 BAR, SHIFT FORK GUIDE 1 | 1 | | | | |
| 9 | 5HH-E8535-00 | BARRA GUIA HORQ. CAMBIO 2 BAR, SHIFT FORK GUIDE 2 | 1 | | | | |
| ----- | | | | | | | |
| ----- | | | | | | | |
| ----- | | | | | | | |
| ----- | | | | | | | |
| ----- | | | | | | | |
| ----- | | | | | | | |
| ----- | | | | | | | |
| ----- | | | | | | | |

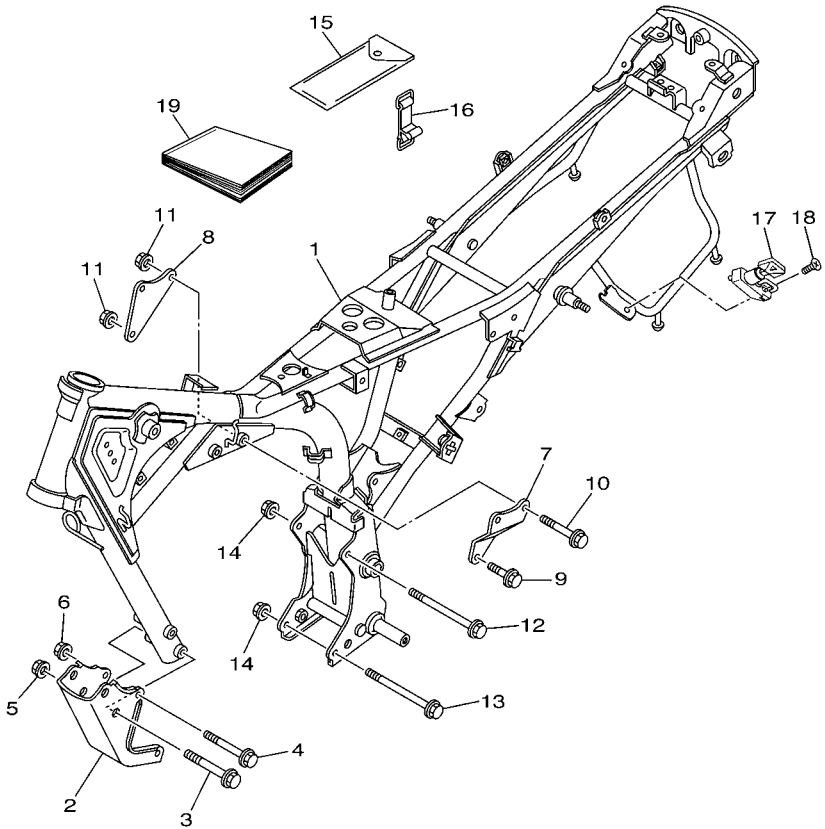
FIG. 16 EJE DE CAMBIO & PEDAL

SHIFT SHAFT

| REF. N° | CODIGO N° PART NO. | DESCRIPCION DESCRIPTION | SFRA | | | | OBSERVACIONES REMARKS |
|---------|--------------------|--|------|--|--|--|-----------------------|
| 1 | 5HH-E8140-00 | PALANCA DE TOPE COMPLETA STOPPER LEVER ASSY | 1 | | | | |
| 2 | 5HH-E8337-00 | RESORTE SPRING | 1 | | | | |
| 3 | 90109-063F7 | PERNO BOLT | 1 | | | | |
| 4 | 93101-12173 | SELLO ACEITE OIL SEAL | 1 | | | | |
| 5 | 90508-32W15 | RESORTE DE TORSION SPRING, TORSION | 1 | | | | |
| 6 | 99001-10600 | PRESILLA REDONDA CIRCLIP | 1 | | | | |
| 7 | 5HH-E8101-01 | EJE SELECTOR COMPLETO SHIFT SHAFT ASSY | 1 | | | | |
| 8 | 93608-30839 | PASADOR DE CLAVIJA PIN, DOWEL | 1 | | | | |
| 9 | 5VL-E8110-00 | PEDAL DE CAMBIO COMPLETO SHIFT PEDAL ASSY | 1 | | | | |
| 10 | 1KL-E8113-00 | FUNDA DEL PEDAL DEL CAMBIO COVER, SHIFT PEDAL | 1 | | | | |
| 11 | 9702M-06020 | PERNO BOLT | 1 | | | | |
| ----- | | | | | | | |
| ----- | | | | | | | |
| ----- | | | | | | | |
| ----- | | | | | | | |
| ----- | | | | | | | |



5NH2276-1160



5RR6280-D170

FIG. 17 CUADRO

FRAME

| REF. N° | CODIGO N° PART NO. | DESCRIPCION DESCRIPTION | SFRA | | | OBSERVACIONES REMARKS |
|---------|--------------------|--|------|--|--|--|
| 1 | 5HH-F1110-90-33 | ARMAZON COMPLETO FRAME COMP. | 1 | | | PARA YB,DRMK,S... PARA YB,DRMK,S... |
| 2 | 5HH-F1316-00-33 | SOPORTE DE MOTOR 2 STAY, ENGINE 2 | 1 | | | PARA YB,DRMK,S... PARA YB,DRMK,S... |
| 3 | 9581M-10080 | TORNILLO BOLT, FLANGE | 2 | | | |
| 4 | 90105-088A6 | TORNILLO BOLT, FLANGE | 2 | | | |
| 5 | 9570M-10500 | TUERCA DE BRIDA NUT, FLANGE | 2 | | | |
| 6 | 9570M-08500 | TUERCA DE BRIDA NUT, FLANGE | 2 | | | |
| 7 | 5HH-F1317-00-33 | SOPORTE DE MOTOR 3 STAY, ENGINE 3 | 1 | | | PARA YB,DRMK,S... PARA YB,DRMK,S... |
| 8 | 5HH-F1318-00-33 | SOPORTE DE MOTOR 4 STAY, ENGINE 4 | 1 | | | PARA YB,DRMK,S... PARA YB,DRMK,S... |
| 9 | 90105-08802 | TORNILLO BOLT, FLANGE | 1 | | | |
| 10 | 90105-08803 | TORNILLO BOLT, FLANGE | 2 | | | |
| 11 | 9570M-08500 | TUERCA DE BRIDA NUT, FLANGE | 3 | | | |
| 12 | 90105-08007 | TORNILLO BOLT, FLANGE | 1 | | | |
| 13 | 90105-08006 | TORNILLO BOLT, FLANGE | 1 | | | |
| 14 | 9570M-08500 | TUERCA DE BRIDA NUT, FLANGE | 2 | | | |
| 15 | 5VL-F8100-00 | JUEGO DE HERRAMIENTAS TOOL KIT | 1 | | | |
| 16 | 5HH-F811G-00 | CINTA BAND | 1 | | | |
| 17 | 5LX-F1308-00 | PORTACASCO COMPLETO HELMET HANGER ASSY | 1 | | | |
| 18 | 9870M-06030 | TORNILLO DE CABEZA PLANA SCREW, FLAT HEAD | 1 | | | |
| 19 | 5RR-F8199-S0 | MANUAL DEL PROPIETARIO MANUAL, OWNER'S | 1 | | | AP AP |

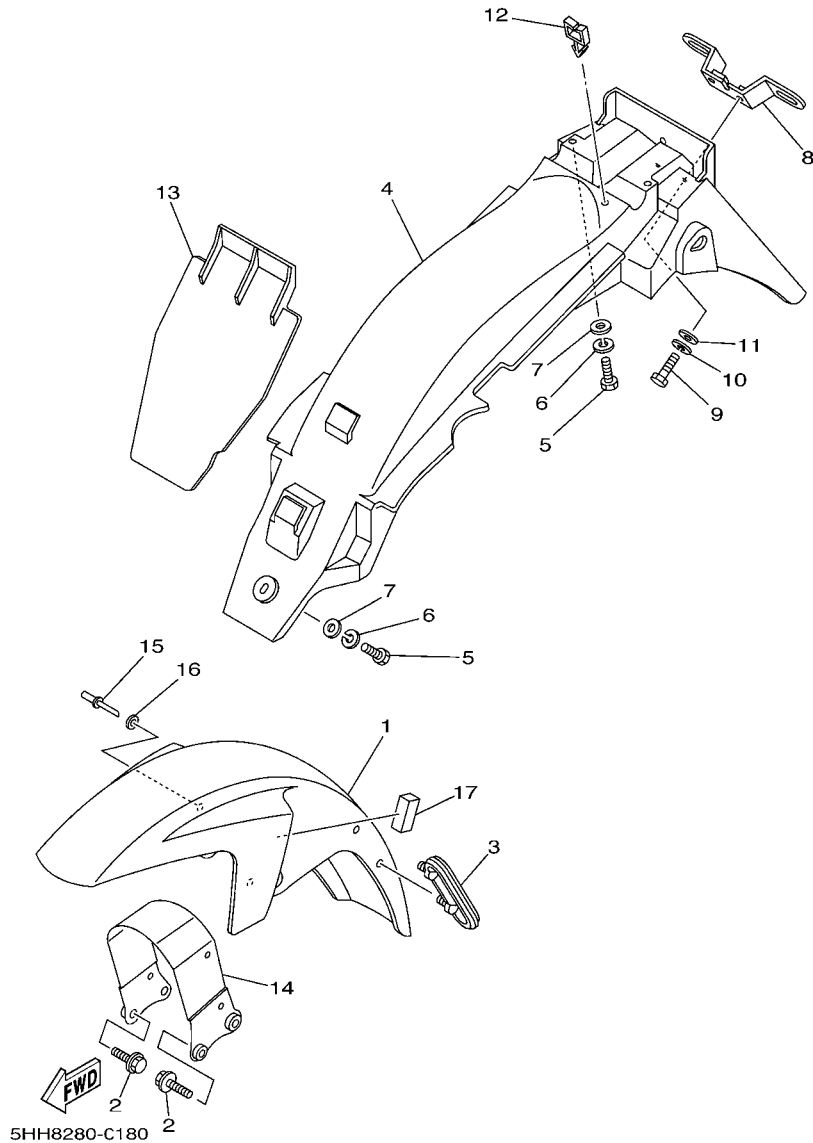


FIG. 18 GUARDABARRO

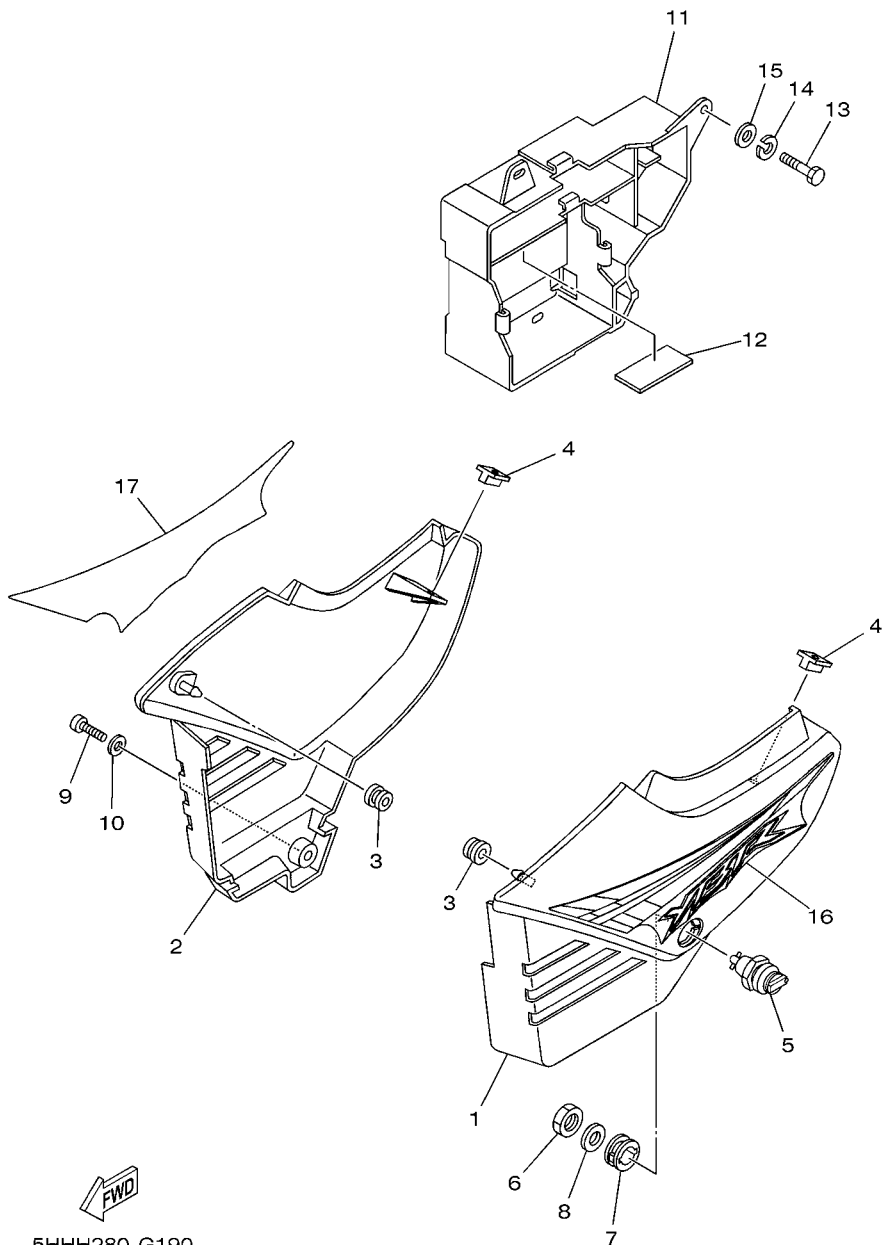
FENDER

| REF. Nº | CODIGO Nº PART NO. | DESCRIPCION DESCRIPTION | SFRA | | | OBSERVACIONES REMARKS |
|---------|--------------------|---------------------------------------|------|--|--|-----------------------|
| 1 | 5HH-F1511-00-33 | GUARDABARRO DELANTERO FENDER, FRONT | 1 | | | PARA YB |
| | 5HH-F1511-00-P9 | GUARDABARRO DELANTERO FENDER, FRONT | 1 | | | PARA YB |
| | 5HH-F1511-00-P7 | GUARDABARRO DELANTERO FENDER, FRONT | 1 | | | PARA DRMK |
| | 5HH-F1511-00-P1 | GUARDABARRO DELANTERO FENDER, FRONT | 1 | | | PARA DRMK |
| | | | | | | PARA S3 |
| | | | | | | PARA S3 |
| | | | | | | PARA DPBMC |
| | | | | | | PARA DPBMC |
| 2 | 9582M-06016 | TORNILLO BOLT | 4 | | | |
| 3 | 5HH-F1518-01 | SOPORTE DE CABLE HOLDER, CABLE | 1 | | | |
| 4 | 5HH-F1611-00 | GUARDABARRO TRASERO FENDER, REAR | 1 | | | |
| 5 | 9700M-06016 | PERNO BOLT | 3 | | | |
| 6 | 9290M-06100 | ARANDELA WASHER | 3 | | | |
| 7 | 90201-06804 | ARANDELA PLANA WASHER, PLATE | 3 | | | |
| 8 | 5HH-F1685-00 | SOPORTE DE LICENCIA BRACKET, LICENSE | 1 | | | |
| 9 | 9700M-06016 | PERNO BOLT | 2 | | | |
| 10 | 9290M-06100 | ARANDELA WASHER | 2 | | | |
| 11 | 90201-06804 | ARANDELA PLANA WASHER, PLATE | 2 | | | |
| 12 | 90464-16804 | BRIDA CLAMP | 1 | | | |
| 13 | 5HH-F1621-00 | CHARNELA FLAP | 1 | | | |
| 14 | 5HH-F1513-00 | SOPORTE DE GUARDABARRO STAY, FENDER 1 | 1 | | | |
| 15 | 90267-48W03 | REMACHE CIEGO RIVET, BLIND | 4 | | | |
| 16 | 90201-04W00 | ARANDELA PLANA WASHER, PLATE | 4 | | | |
| 17 | 5HH-F1541-00 | AMORTIGUADOR 1 DAMPER 1 | 2 | | | |

FIG. 19 CUBIERTA LATERAL

SIDE COVER

| REF. Nº | CODIGO Nº PART NO. | DESCRIPCION DESCRIPTION | SFRA | | | OBSERVACIONES REMARKS |
|---------|--------------------|--|------|--|--|-----------------------|
| 1 | 5HH-F1711-00-7X | CUBIERTA LATERAL 1 COVER, SIDE 1 | 1 | | | PARA YB |
| | 5HH-F1711-00-2Y | CUBIERTA LATERAL 1 COVER, SIDE 1 | 1 | | | PARA YB |
| | 5HH-F1711-00-0Y | CUBIERTA LATERAL 1 COVER, SIDE 1 | 1 | | | PARA DRMK |
| | 5HH-F1711-00-1X | CUBIERTA LATERAL 1 COVER, SIDE 1 | 1 | | | PARA DRMK |
| | 5HH-F1711-00-0Y | CUBIERTA LATERAL 1 COVER, SIDE 1 | 1 | | | PARA S3 |
| | 5HH-F1711-00-1X | CUBIERTA LATERAL 1 COVER, SIDE 1 | 1 | | | PARA S3 |
| | 5HH-F1711-00-1X | CUBIERTA LATERAL 1 COVER, SIDE 1 | 1 | | | PARA DPBMC |
| | 5HH-F1711-00-1X | CUBIERTA LATERAL 1 COVER, SIDE 1 | 1 | | | PARA DPBMC |
| 2 | 5HH-F1721-00-7X | CUBIERTA LATERAL 2 COVER, SIDE 2 | 1 | | | PARA YB |
| | 5HH-F1721-00-2Y | CUBIERTA LATERAL 2 COVER, SIDE 2 | 1 | | | PARA YB |
| | 5HH-F1721-00-0Y | CUBIERTA LATERAL 2 COVER, SIDE 2 | 1 | | | PARA DRMK |
| | 5HH-F1721-00-1X | CUBIERTA LATERAL 2 COVER, SIDE 2 | 1 | | | PARA DRMK |
| | 5HH-F1721-00-0Y | CUBIERTA LATERAL 2 COVER, SIDE 2 | 1 | | | PARA S3 |
| | 5HH-F1721-00-1X | CUBIERTA LATERAL 2 COVER, SIDE 2 | 1 | | | PARA S3 |
| | 5HH-F1721-00-1X | CUBIERTA LATERAL 2 COVER, SIDE 2 | 1 | | | PARA DPBMC |
| | 5HH-F1721-00-1X | CUBIERTA LATERAL 2 COVER, SIDE 2 | 1 | | | PARA DPBMC |
| 3 | 90480-13426 | TAPON GROMMET | 2 | | | |
| 4 | 5HH-F1778-00 | AMORTIGUADOR DE MONTAJE DAMPER, LOCATING 1 | 2 | | | |
| 5 | 5VL-F1708-00 | CUBIERTA 2 LOCK ASSY 2 | 1 | | | |
| 6 | 90170-22187 | TUERCA NUT | 1 | | | |
| 7 | 90480-24186 | TAPON GROMMET | 1 | | | |
| 8 | 90201-225A4 | ARANDELA PLANA (T=1.0) WASHER, PLATE (T=1.0) | 1 | | | |
| 9 | 9890M-06020 | TORNILLO DE LIGAR SCREW, BIND | 1 | | | |
| 10 | 90201-06804 | ARANDELA PLANA WASHER, PLATE | 1 | | | |
| 11 | 5HH-F177G-00 | CAJA DE BATERIA BOX, BATTERY | 1 | | | |
| 12 | 5HH-F1746-00 | AMORTIGUADOR DAMPER | 1 | | | |
| 13 | 9700M-06016 | PERNO BOLT | 3 | | | |
| 14 | 9290M-06100 | ARANDELA WASHER | 3 | | | |
| 15 | 90201-06804 | ARANDELA PLANA WASHER, PLATE | 3 | | | |
| 16 | 5LX-F173E-70 | GRAFICO 1 GRAPHIC 1 | 1 | | | UR PARA YB |
| | 5LX-F173E-80 | GRAFICO 1 GRAPHIC 1 | 1 | | | UR PARA YB |
| | 5LX-F173E-90 | GRAFICO 1 GRAPHIC 1 | 1 | | | UR PARA DRMK |
| | 5LX-F173E-A0 | GRAFICO 1 GRAPHIC 1 | 1 | | | UR PARA DRMK |
| | 5LX-F173E-70 | GRAFICO 1 GRAPHIC 1 | 1 | | | UR PARA S3 |
| | 5LX-F173E-80 | GRAFICO 1 GRAPHIC 1 | 1 | | | UR PARA S3 |
| | 5LX-F173E-90 | GRAFICO 1 GRAPHIC 1 | 1 | | | UR PARA DPBMC |
| | 5LX-F173E-A0 | GRAFICO 1 GRAPHIC 1 | 1 | | | UR PARA DPBMC |
| 17 | 5LX-F173F-70 | GRAFICO 2 GRAPHIC 2 | 1 | | | UR PARA YB |
| | 5LX-F173F-80 | GRAFICO 2 GRAPHIC 2 | 1 | | | UR PARA YB |
| | 5LX-F173F-90 | GRAFICO 2 GRAPHIC 2 | 1 | | | UR PARA DRMK |
| | 5LX-F173F-A0 | GRAFICO 2 GRAPHIC 2 | 1 | | | UR PARA DRMK |

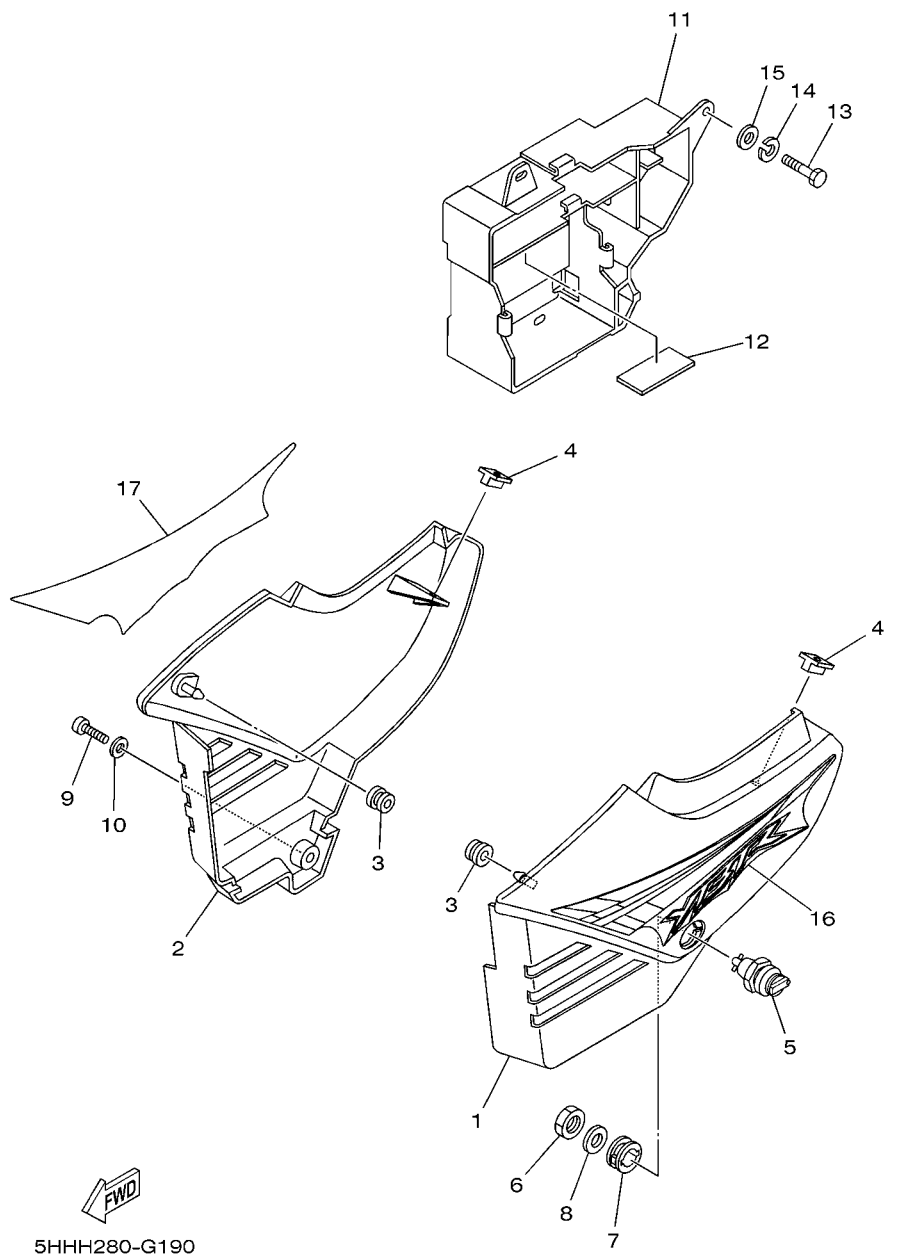


5HHH280-G190

FIG. 19 CUBIERTA LATERAL

SIDE COVER

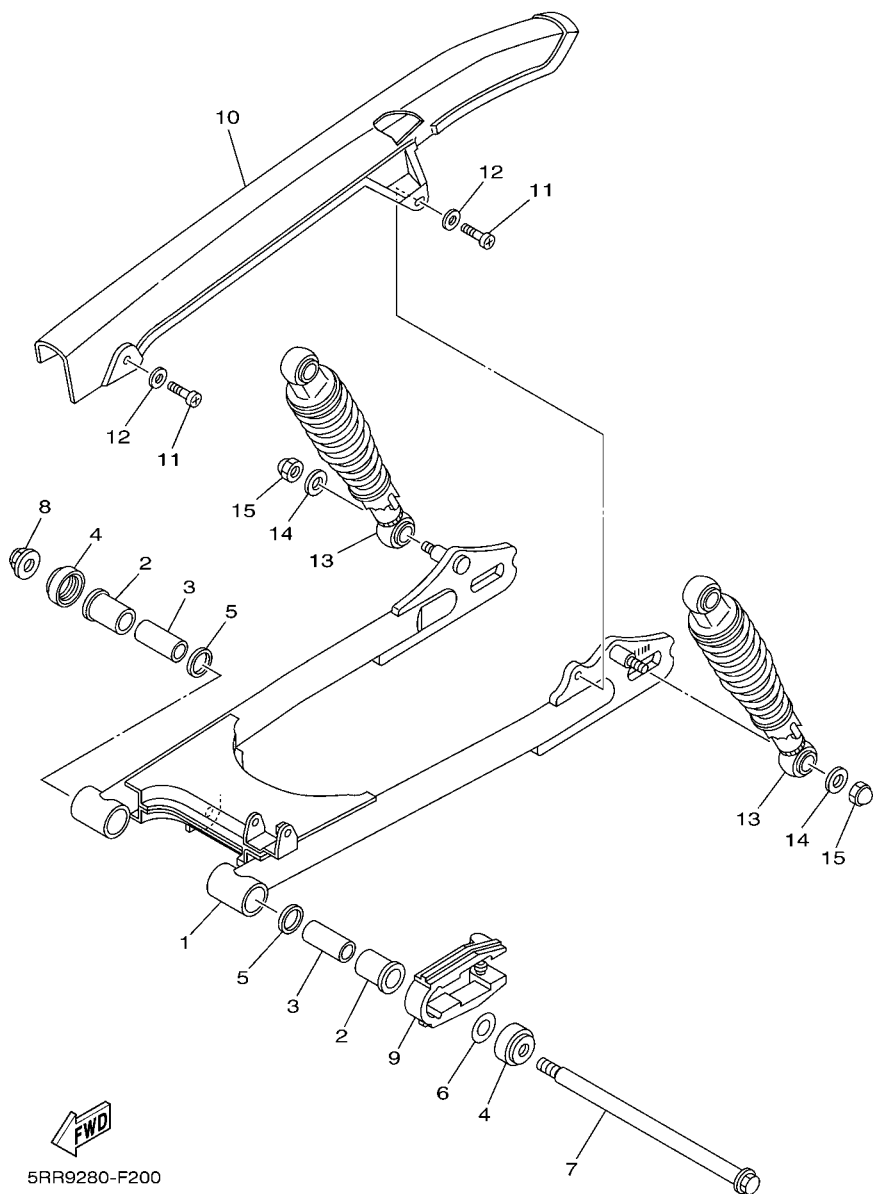
| REF. Nº | CODIGO Nº PART NO. | DESCRIPCION DESCRIPTION | SFRA | | | | OBSERVACIONES REMARKS |
|---------|--------------------|-------------------------|------|--|--|--|--------------------------------|
| 17 | 5LX-F173F-90 | GRAFICO 2 GRAPHIC 2 | 1 | | | | UR PARA S3 UR PARA S3 |
| | 5LX-F173F-A0 | GRAFICO 2 GRAPHIC 2 | 1 | | | | UR PARA DPBMC UR PARA DPBMC |
| ----- | | | | | | | |
| ----- | | | | | | | |
| ----- | | | | | | | |
| ----- | | | | | | | |
| ----- | | | | | | | |
| ----- | | | | | | | |

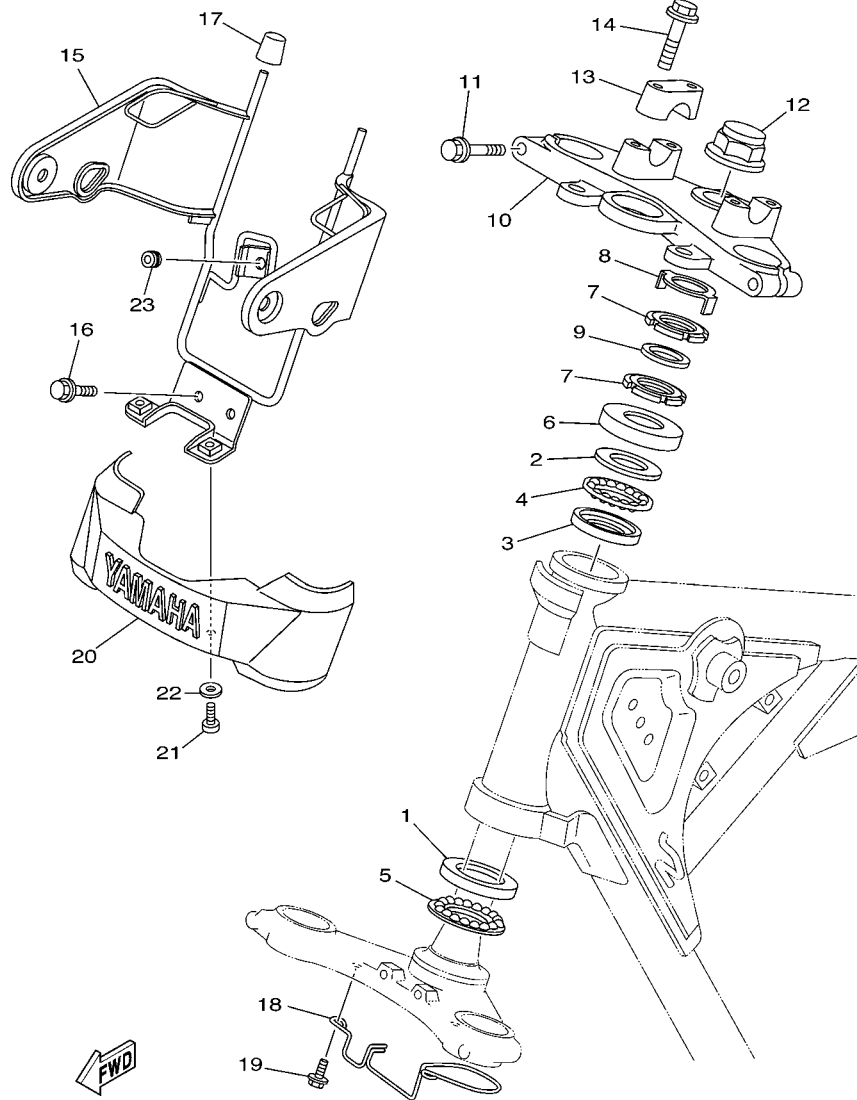


5HHH280-G190

FIG. 20 BRAZO TRASERO & SUSPENSION REAR ARM & SUSPENSION

| REF. Nº | CODIGO Nº PART NO. | DESCRIPCION DESCRIPTION | SFRA | | | OBSERVACIONES REMARKS |
|---------|-----------------------|--|------|--|--|--|
| 1 | 5HH-F2110-10-33 | BRAZO TRASERO COMPLETO REAR ARM COMP. | 1 | | | PARA YB,DRMK,S... PARA YB,DRMK,S... |
| 2 | 90381-18800 | BUJE SOLIDO BUSH, SOLID | 2 | | | |
| 3 | 5HH-F2123-00 | BUJE 1 BUSH 1 | 2 | | | |
| 4 | 5HH-F2128-00 | TAPA DE EMPIJE 1 COVER, THRUST 1 | 2 | | | |
| 5 | 93109-18807 | SELLO ACEITE OIL SEAL | 2 | | | YMDB PARTS |
| 6 | 5L9-F2127-00 | CUNA SHIM | 1 | | | UN UN |
| 7 | 5VL-F2141-00 | EJE DEL BARCULANTE SHAFT, PIVOT | 1 | | | |
| 8 | 95604-12200 | TUERCA DE AUTO-CIERRE NUT, SELF-LOCKING | 1 | | | |
| 9 | 5HH-F2151-00 | SELLO DE GUARDA SEAL, GUARD | 1 | | | |
| 10 | 5HH-F2311-10 | CABRECADENA CASE, CHAIN | 1 | | | |
| 11 | 9851M-06012 | TORNILLO DE CABEZA CON PLANA SCREW, PAN HEAD | 2 | | | |
| 12 | 90201-06804 | ARANDELA PLANA WASHER, PLATE | 2 | | | |
| 13 | 5HH-F2210-10 | AMORTIGUADOR TRASERO COMPLETO SHOCK ABSORBER ASSY, REAR | 2 | | | |
| 14 | 90201-106F2 | ARANDELA PLANA WASHER, PLATE | 6 | | | |
| 15 | 90176-10W03 | TUERCA CORONA NUT, CROWN | 4 | | | |





5LX4280-C210

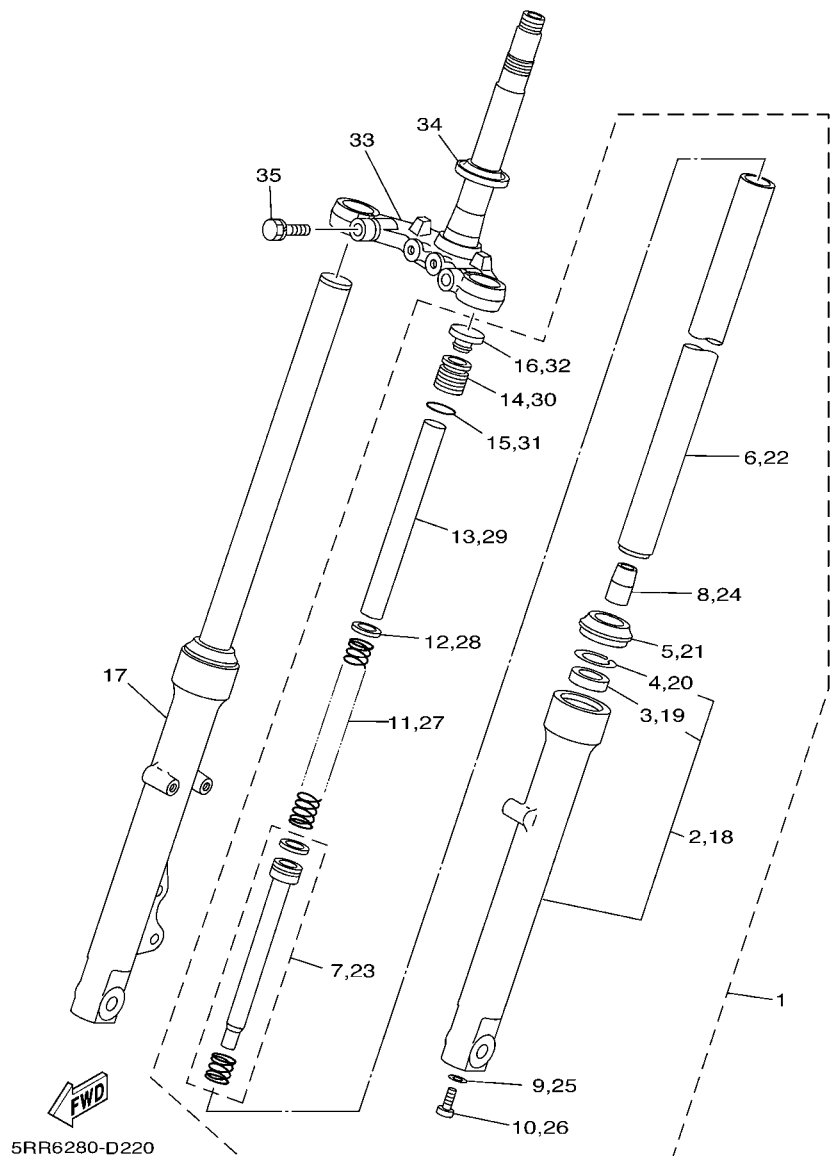
FIG. 21 DIRECCION

STEERING

| REF. Nº | CODIGO Nº PART NO. | DESCRIPCION DESCRIPTION | SFRRA | | | | OBSERVACIONES REMARKS |
|---------|--------------------|--|-------|--|--|--|--|
| 1 | 156-23412-00 | PISTA DE BOLAS 2 RACE, BALL 2 | 1 | | | | |
| 2 | 22F-23411-01 | PISTA DE BOLAS 1 RACE, BALL 1 | 1 | | | | |
| 3 | 22F-23412-01 | PISTA DE BOLAS 2 RACE, BALL 2 | 1 | | | | |
| 4 | 4VW-F341E-00 | RETEN DE COJINETE (22) RETAINER, BALL BEARING (22) | 1 | | | | |
| 5 | 5HH-F341E-00 | RETEN DE COJINETE (19) RETAINER, BALL BEARING (19) | 1 | | | | |
| 6 | 23L-F3416-00 | CUBIERTA DE BASE DE BOLA 2 COVER, BALL RACE 2 | 1 | | | | |
| 7 | 90179-25W22 | TUERCA NUT | 2 | | | | |
| 8 | 5HH-F3418-00 | ARANDELA ESPECIAL WASHER, SPECIAL | 1 | | | | |
| 9 | 90202-26142 | ARANDELA DE PLANA WASHER, PLATE | 1 | | | | |
| 10 | 5HH-F3435-10-33 | PLATINA SUPERIOR CROWN, HANDLE | 1 | | | | PARA YB,DRMK,S... PARA YB,DRMK,S... |
| 11 | 9502M-08040 | PERNO, DE BRIDA BOLT, FLANGE | 2 | | | | |
| 12 | 90176-22W04 | TUERCA CORONA NUT, CROWN | 1 | | | | |
| 13 | 3V9-F3441-00-33 | SOPORTE DE MANUBRIO HOLDER, HANDLE UPPER | 2 | | | | PARA YB,DRMK,S... PARA YB,DRMK,S... |
| 14 | 9502M-08035 | PERNO, DE BRIDA BOLT, FLANGE | 4 | | | | |
| 15 | 5HH-F3174-11 | SOPORTE DEL FARO DELANTERO STAY, HEADLIGHT | 1 | | | | |
| 16 | 9582M-06012 | TORNILLO BOLT | 2 | | | | |
| 17 | 5HH-F317J-00 | AMORTIGUADOR 1 DAMPER 1 | 2 | | | | |
| 18 | 5HH-F3389-01 | GUIA DE CABLE GUIDE, CABLE | 1 | | | | |
| 19 | 9582M-06012 | TORNILLO BOLT | 2 | | | | |
| 20 | 5HH-F3395-00 | EMBLEMA EMBLEM | 1 | | | | |
| 21 | 9851M-05016 | TORNILLO DE CABEZA CON PLANA SCREW, PAN HEAD | 2 | | | | |
| 22 | 90201-052E2 | ARANDELA PLANA WASHER, PLATE | 2 | | | | |
| 23 | 90480-14817 | TAPON GROMMET | 1 | | | | |

FIG. 22 HORQUILLA DELANTERA

FRONT FORK

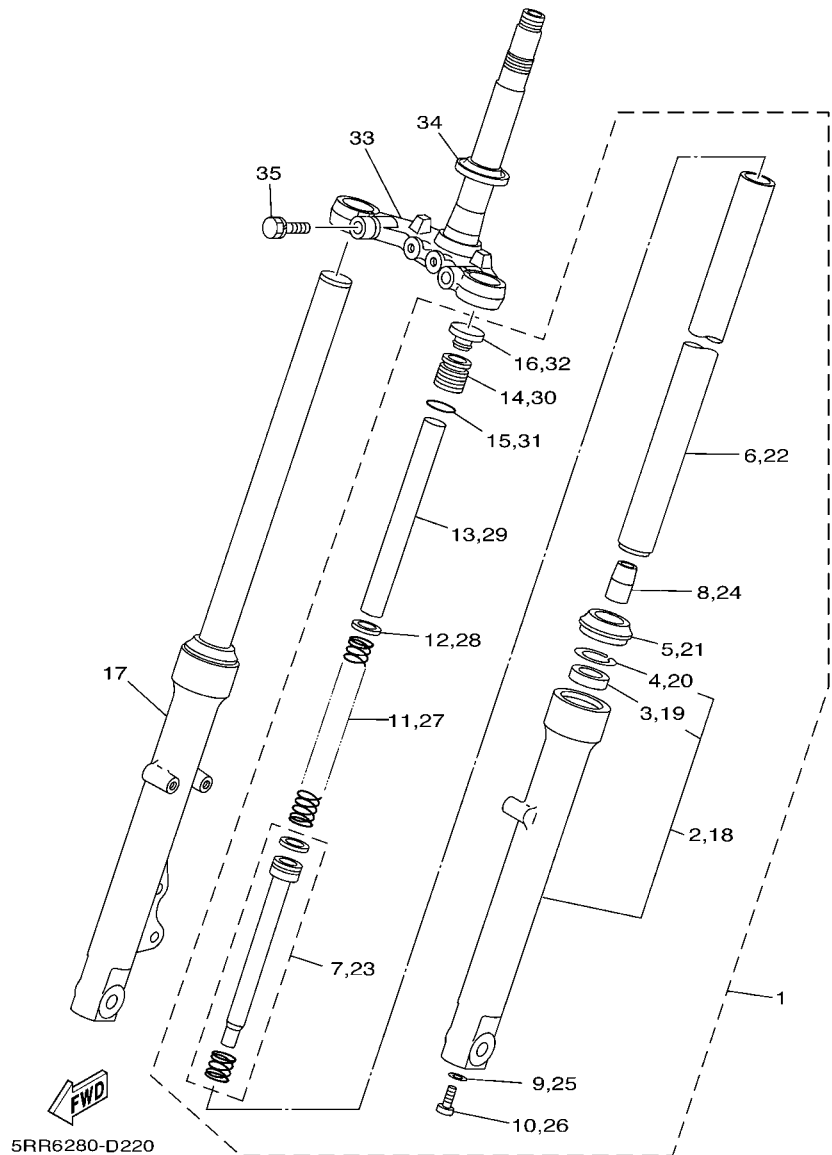


5RR6280-D220

| REF. Nº | CODIGO Nº PART NO. | DESCRIPCION DESCRIPTION | SFRA | | | | OBSERVACIONES REMARKS |
|---------|--------------------|---|------|--|--|--|-----------------------|
| 1 | 5HH-F3102-30 | HORQUILLA DELANTERA COMPL.(MI) FRONT FORK ASSY (L.H) | 1 | | | | |
| 2 | 5HH-F3106-30 | .TUBO EXTERIOR COMPLETO (MI) .OUTER TUBE COMP. (L.H) | 1 | | | | |
| 3 | 4GU-F3145-00 | ..RETEN DE ACEITE ..OIL SEAL | 1 | | | | |
| 4 | 5AP-F3153-00 | ..ANILLO DE ENGANCHE ..RING, SNAP | 1 | | | | |
| 5 | 4GU-F3144-00 | .GUARDAPOLVO .SEAL, DUST | 1 | | | | |
| 6 | 5HH-F3110-10 | .TUBO INTERIOR COMPLETO 1 .INNER TUBE COMP.1 | 1 | | | | |
| 7 | 5VL-F3170-00 | .CILINDRO COMPL DE HORQ DELANT .CYLINDER COMP., FRONT FORK | 1 | | | | |
| 8 | 5AP-F3166-00 | .SEPARADOR CIERRE DE ACEITE .SPACER, OIL LOCK | 1 | | | | |
| 9 | 4TU-F3479-00 | .EMPAQUE .GASKET | 1 | | | | |
| 10 | 5LK-F3356-00 | .PERNO 2 .BOLT 2 | 1 | | | | |
| 11 | 5VL-F3141-00 | .RESORTE HORQUILLA DELANT. .SPRING, FRONT FORK | 1 | | | | |
| 12 | 5AP-F3427-00 | .ARANDELA .WASHER | 1 | | | | |
| 13 | 5HH-F3118-10 | .SEPARADOR .SPACER | 1 | | | | |
| 14 | 5VL-F3111-00 | .TAPON .BOLT, CAP | 1 | | | | |
| 15 | 5AP-F3147-00 | .ARO .O-RING | 1 | | | | |
| 16 | 5VL-F3168-00 | .TAPA DE HORQUILLA DELANTERA .CAP, FRONT FORK | 1 | | | | |
| 17 | 5HH-F3103-30 | HORQUILLA DELANTERA COMPL.(MD) FRONT FORK ASSY (R.H) | 1 | | | | |
| 18 | 5HH-F3107-30 | .TUBO EXTERIOR COMPLETO (MD) .OUTER TUBE COMP. (R.H) | 1 | | | | |
| 19 | 4GU-F3145-00 | ..RETEN DE ACEITE ..OIL SEAL | 1 | | | | |
| 20 | 5AP-F3153-00 | ..ANILLO DE ENGANCHE ..RING, SNAP | 1 | | | | |
| 21 | 4GU-F3144-00 | .GUARDAPOLVO .SEAL, DUST | 1 | | | | |
| 22 | 5HH-F3110-10 | .TUBO INTERIOR COMPLETO 1 .INNER TUBE COMP.1 | 1 | | | | |
| 23 | 5VL-F3170-00 | .CILINDRO COMPL DE HORQ DELANT .CYLINDER COMP., FRONT FORK | 1 | | | | |
| 24 | 5AP-F3166-00 | .SEPARADOR CIERRE DE ACEITE .SPACER, OIL LOCK | 1 | | | | |
| 25 | 4TU-F3479-00 | .EMPAQUE .GASKET | 1 | | | | |
| 26 | 5LK-F3356-00 | .PERNO 2 .BOLT 2 | 1 | | | | |
| 27 | 5VL-F3141-00 | .RESORTE HORQUILLA DELANT. .SPRING, FRONT FORK | 1 | | | | |

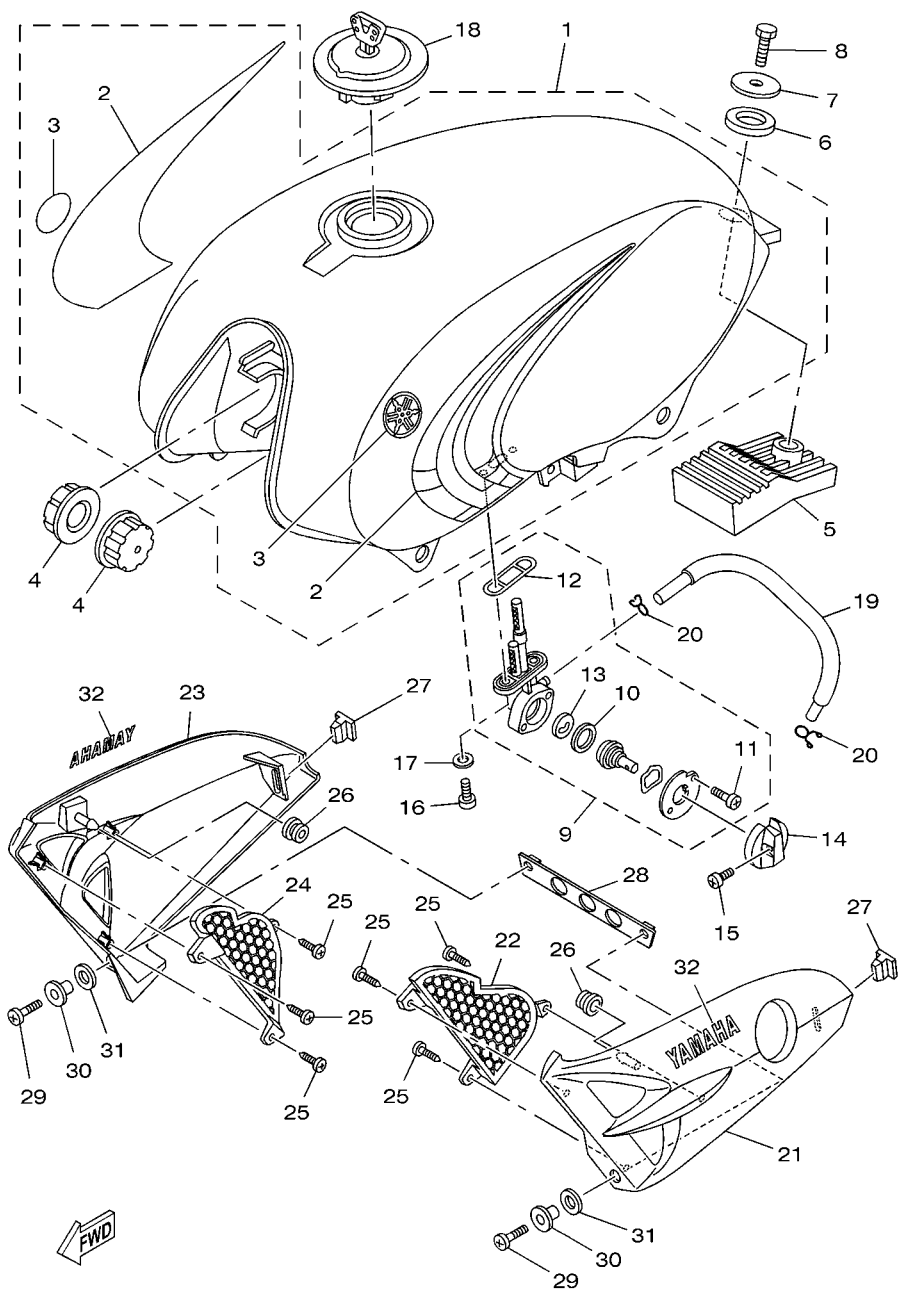
FIG. 22 HORQUILLA DELANTERA

FRONT FORK



| REF. Nº | CODIGO Nº PART NO. | DESCRIPCION DESCRIPTION | SFRA | | | | OBSERVACIONES REMARKS |
|---------|--------------------|--|------|--|--|--|-----------------------|
| 28 | 5AP-F3427-00 | .ARANDELA .WASHER | 1 | | | | |
| 29 | 5HH-F3118-10 | .SEPARADOR .SPACER | 1 | | | | |
| 30 | 5VL-F3111-00 | .TAPON .BOLT, CAP | 1 | | | | |
| 31 | 5AP-F3147-00 | .ARO .O-RING | 1 | | | | |
| 32 | 5VL-F3168-00 | .TAPA DE HORQUILLA DELANTERA .CAP, FRONT FORK | 1 | | | | |
| 33 | 5HH-F3340-10 | PLATINA INFERIOR COMPLETA UNDER BRACKET COMP. | 1 | | | | |
| 34 | 5HH-F3411-00 | PISTA DE BOLAS 1 RACE, BALL 1 | 1 | | | | |
| 35 | 90105-10W16 | TORNILLO BOLT, FLANGE | 2 | | | | |
| | | | | | | | |
| | | | | | | | |
| | | | | | | | |
| | | | | | | | |
| | | | | | | | |
| | | | | | | | |
| | | | | | | | |

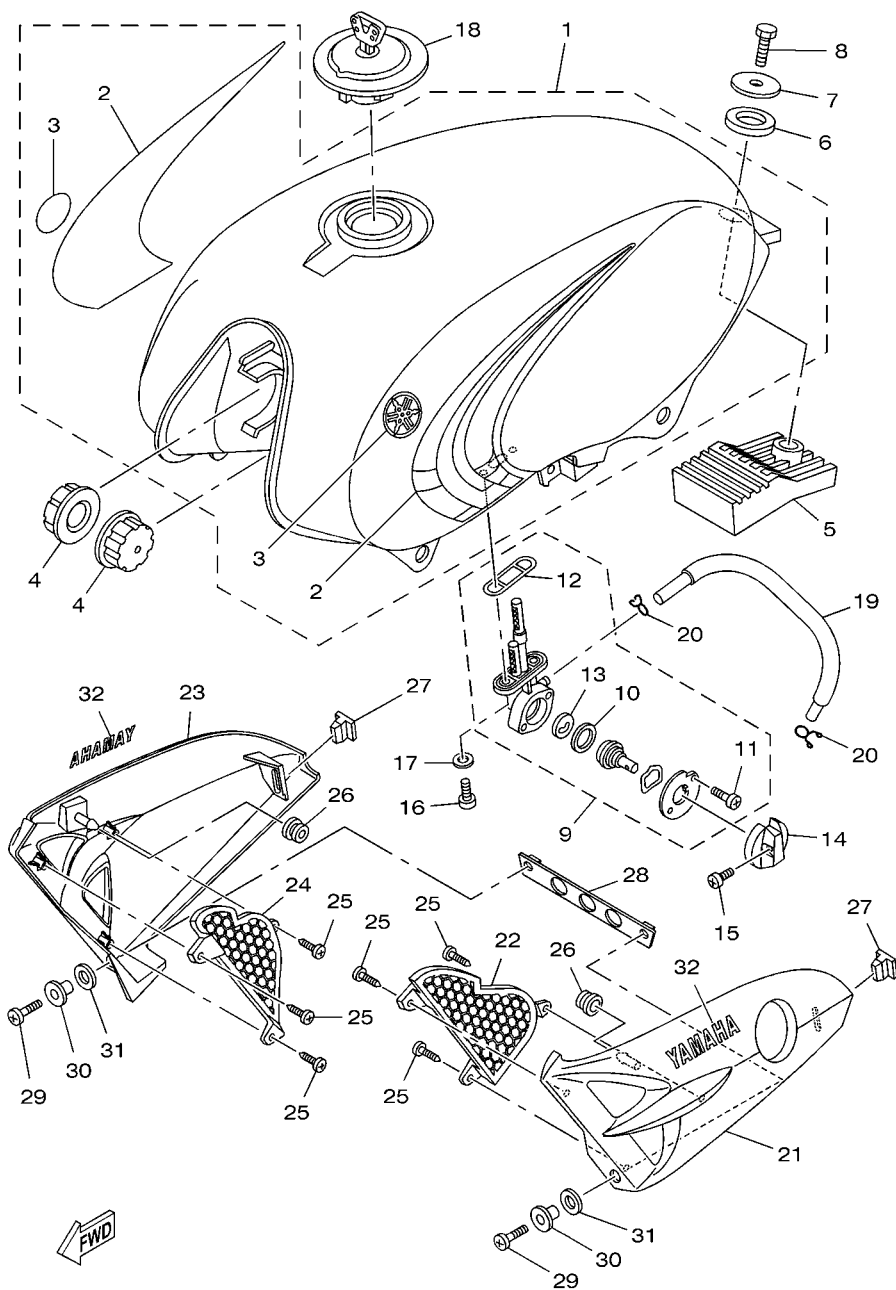
FIG. 23 DEPOSITO DE COMBUSTIBLE FUEL TANK



5HHF280-F230

| REF. Nº | CODIGO Nº PART NO. | DESCRIPCION DESCRIPTION | SFRA | | | OBSERVACIONES REMARKS |
|---------|--------------------|--|------|--|--|--------------------------------|
| 1 | 5LX-F4100-80 | TANQUE COMBUSTIBLE COMPL. FUEL TANK ASSY | 1 | | | PARA YB PARA YB |
| | 5LX-F4100-90 | TANQUE COMBUSTIBLE COMPL. FUEL TANK ASSY | 1 | | | PARA DRMK PARA DRMK |
| | 5LX-F4100-A0 | TANQUE COMBUSTIBLE COMPL. FUEL TANK ASSY | 1 | | | PARA S3 PARA S3 |
| | 5LX-F4100-B0 | TANQUE COMBUSTIBLE COMPL. FUEL TANK ASSY | 1 | | | PARA DPBMC PARA DPBMC |
| 2 | 5LX-F4240-80 | .JUEGO DE CALCOMANIAS .GRAPHIC SET | 1 | | | UR PARA YB UR PARA YB |
| | 5LX-F4240-90 | .JUEGO DE CALCOMANIAS .GRAPHIC SET | 1 | | | UR PARA DRMK UR PARA DRMK |
| | 5LX-F4240-A0 | .JUEGO DE CALCOMANIAS .GRAPHIC SET | 1 | | | UR PARA S3 UR PARA S3 |
| | 5LX-F4240-B0 | .JUEGO DE CALCOMANIAS .GRAPHIC SET | 1 | | | UR PARA DPBMC UR PARA DPBMC |
| 3 | 5LX-F4235-00 | .MARCA 1 .MARK 1 | 2 | | | |
| 4 | 5HH-F4181-00 | AMORTIGUADOR DE MONTAJE 1 DAMPER, LOCATING 1 | 2 | | | |
| 5 | 5HH-F4183-00 | AMORTIGUADOR DE MONTAJE 3 DAMPER, LOCATING 3 | 1 | | | |
| 6 | 5HH-F4182-00 | AMORTIGUADOR DE MONTAJE 2 DAMPER, LOCATING 2 | 1 | | | |
| 7 | 90201-08569 | ARANDELA PLANA WASHER, PLATE | 1 | | | |
| 8 | 9700M-08016 | PERNO BOLT | 1 | | | |
| 9 | 5HH-F4500-00 | GRIFO DE COMBUSTIBLE 1 FUEL COCK ASSY 1 | 1 | | | |
| 10 | 5HH-F4534-00 | .SELLÓ DE GRIFO .SEAL, COCK | 1 | | | |
| 11 | 9850L-03008 | .TORNILLO DE CABEZA CON PLANA .SCREW, PAN HEAD | 2 | | | |
| 12 | 5HH-F4512-00 | .EMPAQUE .GASKET | 1 | | | |
| 13 | 5HH-F4523-00 | .VALVULA .VALVE | 1 | | | |
| 14 | 1YH-F4524-00 | LLAVE DEL GRIFO LEVER, COCK | 1 | | | |
| 15 | 90157-03122 | TORNILLO CABEZA CONICA PLANA SCREW, PAN HEAD | 1 | | | |
| 16 | 9890M-06016 | TORNILLO DE LIGAR SCREW, BIND | 2 | | | |
| 17 | 90202-06W01 | ARANDELA DE PLANA WASHER, PLATE | 2 | | | |
| 18 | 5VL-F4602-00 | TAPON COMPLETO CAP ASSY | 1 | | | |
| 19 | 5HH-F4311-00 | TUBO DE COMBUSTIBLE 1 PIPE, FUEL 1 | 1 | | | |
| 20 | 90467-09W06 | PRESILLA CLIP | 2 | | | |
| 21 | 5HH-F137W-20-33 | CUBIERTA DE GUIA DE AIRE 1 SCOOP, AIR 1 | 1 | | | PARA YB PARA YB |

FIG. 23 DEPOSITO DE COMBUSTIBLE FUEL TANK



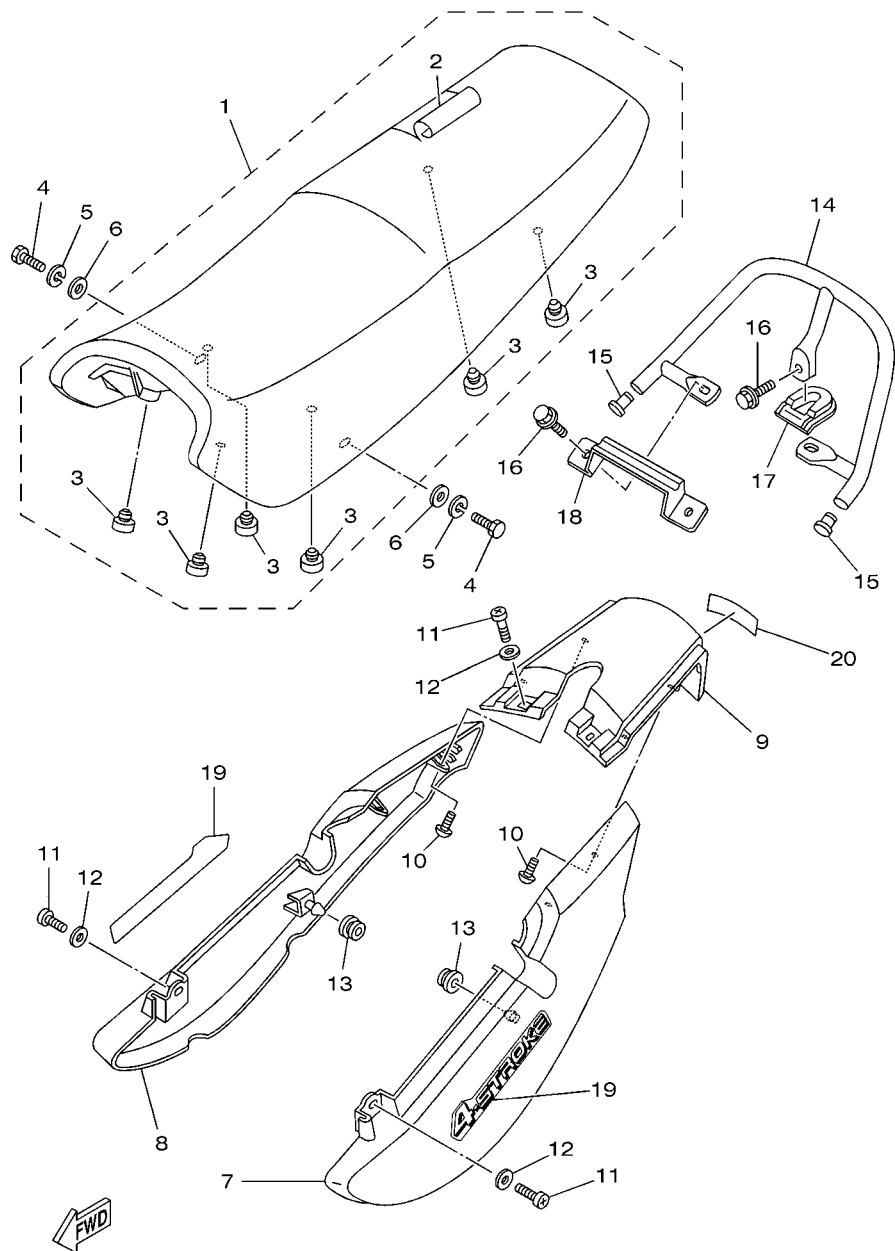
5HHF280-F230

| REF. Nº | CODIGO Nº PART NO. | DESCRIPCION DESCRIPTION | SFRA | | | OBSERVACIONES REMARKS |
|---------|--------------------|--|------|--|--|--|
| 21 | 5HH-F137W-20-P1 | CUBIERTA DE GUIA DE AIRE 1 SCOOP, AIR 1 | 1 | | | PARA DRMK PARA DRMK |
| | 5HH-F137W-20-P0 | CUBIERTA DE GUIA DE AIRE 1 SCOOP, AIR 1 | 1 | | | PARA S3 PARA S3 |
| | 5HH-F137W-20-P4 | CUBIERTA DE GUIA DE AIRE 1 SCOOP, AIR 1 | 1 | | | PARA DPBMC PARA DPBMC |
| 22 | 5HH-F137U-20 | GUIA DE AIRE 1 GUIDE, AIR 1 | 1 | | | |
| 23 | 5HH-F137X-20-33 | CUBIERTA DE GUIA DE AIRE 2 SCOOP, AIR 2 | 1 | | | PARA YB PARA YB |
| | 5HH-F137X-20-P1 | CUBIERTA DE GUIA DE AIRE 2 SCOOP, AIR 2 | 1 | | | PARA DRMK PARA DRMK |
| | 5HH-F137X-20-P0 | CUBIERTA DE GUIA DE AIRE 2 SCOOP, AIR 2 | 1 | | | PARA S3 PARA S3 |
| | 5HH-F137X-20-P4 | CUBIERTA DE GUIA DE AIRE 2 SCOOP, AIR 2 | 1 | | | PARA DPBMC PARA DPBMC |
| 24 | 5HH-F137V-20 | GUIA DE AIRE 2 GUIDE, AIR 2 | 1 | | | |
| 25 | 9770M-40114 | TORNILLO ROSCA HEMBRA SCREW, TAPPING | 6 | | | |
| 26 | 90480-13426 | TAPON GROMMET | 2 | | | |
| 27 | 5HH-F1778-00 | AMORTIGUADOR DE MONTAJE DAMPER, LOCATING 1 | 2 | | | |
| 28 | 5HH-F4216-10 | SOPORTE STAY | 1 | | | |
| 29 | 9851M-06016 | TORNILLO DE CABEZA CON PLANA SCREW, PAN HEAD | 2 | | | |
| 30 | 90387-06W56 | ESPACIADOR COLLAR | 2 | | | |
| 31 | 90202-09800 | ARÁNDELA DE PLANA WASHER, PLATE | 2 | | | |
| 32 | 5LX-F153E-00 | EMBLEMA, YAMAHA EMBLEM, YAMAHA | 2 | | | UR PARA YB UR PARA YB |
| | 5LX-F153E-10 | EMBLEMA, YAMAHA EMBLEM, YAMAHA | 2 | | | UR PARA DRMK,D... UR PARA DRMK,D... |
| | 5LX-F153E-20 | EMBLEMA, YAMAHA EMBLEM, YAMAHA | 2 | | | UR PARA S3 UR PARA S3 |

FIG. 24 ASIENTO

SEAT

| REF. Nº | CODIGO Nº PART NO. | DESCRIPCION DESCRIPTION | SFRA | | | OBSERVACIONES REMARKS |
|---------|--------------------|---|------|--|--|--------------------------|
| 1 | 5HH-F4730-00 | SILLIN DOBLE COMPLETO DOUBLE SEAT ASSY | 1 | | | |
| 2 | 5HH-F4731-00 | .FUNDA DE SILLIN .COVER, SEAT | 1 | | | |
| 3 | 4AN-F4741-10 | .COJIN DE ASIENTO .PAD, SEAT | 6 | | | |
| 4 | 9700M-06016 | PERNO BOLT | 2 | | | |
| 5 | 9290M-06100 | ARANDELA WASHER | 2 | | | |
| 6 | 90201-06804 | ARANDELA PLANA WASHER, PLATE | 2 | | | |
| 7 | 5HH-F471K-00-33 | CUBIERTA, DE COLA 1 COVER, TAIL 1 | 1 | | | PARA YB PARA YB |
| | 5HH-F471K-00-P9 | CUBIERTA, DE COLA 1 COVER, TAIL 1 | 1 | | | PARA DRMK PARA DRMK |
| | 5HH-F471K-00-P7 | CUBIERTA, DE COLA 1 COVER, TAIL 1 | 1 | | | PARA S3 PARA S3 |
| | 5HH-F471K-00-P1 | CUBIERTA, DE COLA 1 COVER, TAIL 1 | 1 | | | PARA DPBMC PARA DPBMC |
| 8 | 5HH-F472K-00-33 | CUBIERTA, DE COLA 2 COVER, TAIL 2 | 1 | | | PARA YB PARA YB |
| | 5HH-F472K-00-P9 | CUBIERTA, DE COLA 2 COVER, TAIL 2 | 1 | | | PARA DRMK PARA DRMK |
| | 5HH-F472K-00-P7 | CUBIERTA, DE COLA 2 COVER, TAIL 2 | 1 | | | PARA S3 PARA S3 |
| | 5HH-F472K-00-P1 | CUBIERTA, DE COLA 2 COVER, TAIL 2 | 1 | | | PARA DPBMC PARA DPBMC |
| 9 | 5HH-F4756-00-33 | CUBIERTA DE COLA COVER, TAIL | 1 | | | PARA YB PARA YB |
| | 5HH-F4756-00-P9 | CUBIERTA DE COLA COVER, TAIL | 1 | | | PARA DRMK PARA DRMK |
| | 5HH-F4756-00-P7 | CUBIERTA DE COLA COVER, TAIL | 1 | | | PARA S3 PARA S3 |
| | 5HH-F4756-00-P1 | CUBIERTA DE COLA COVER, TAIL | 1 | | | PARA DPBMC PARA DPBMC |
| 10 | 9770M-50012 | TORNILLO ROSCA HEMBRA SCREW, TAPPING | 4 | | | |
| 11 | 9851M-06016 | TORNILLO DE CABEZA CON PLANA SCREW, PAN HEAD | 4 | | | |
| 12 | 90201-06804 | ARANDELA PLANA WASHER, PLATE | 4 | | | |
| 13 | 90480-01868 | TAPON GROMMET | 2 | | | |
| 14 | 5HH-F4773-00 | MANIJA DE ASIENTO HANDLE, SEAT | 1 | | | |
| 15 | 5HH-F4481-00 | TAPON PLUG | 2 | | | |
| 16 | 90105-08841 | TORNILLO BOLT, FLANGE | 3 | | | |
| 17 | 5HH-F4796-00 | CUBIERTA COVER | 1 | | | |
| 18 | 5HH-F471A-00 | SOPORTE DE ASIENTO STAY, SEAT | 1 | | | |

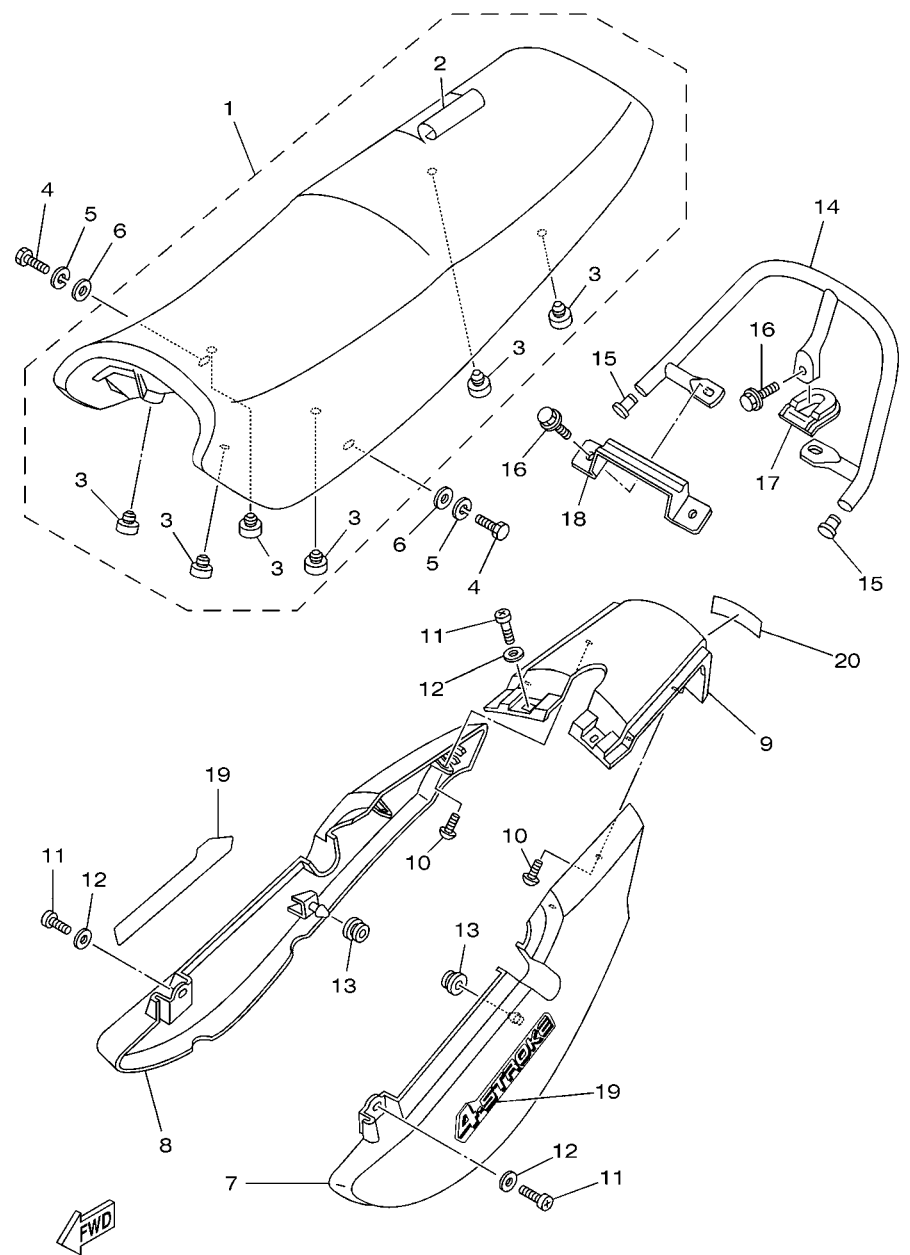


5HHF280-F240

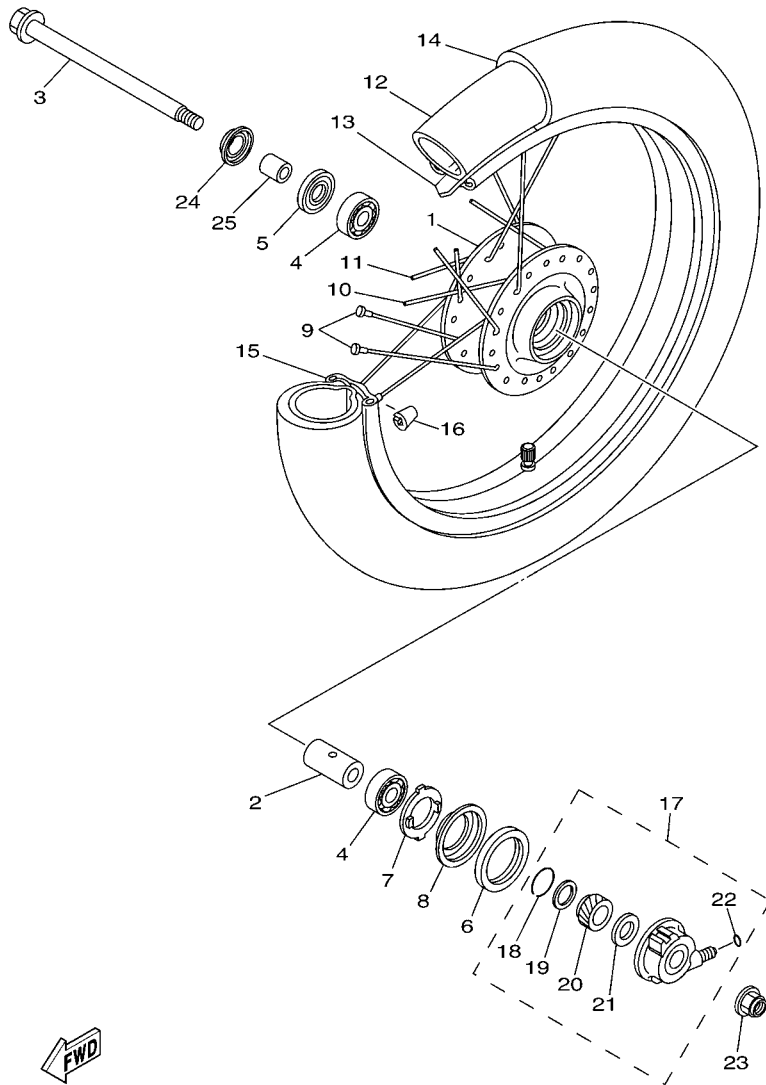
FIG. 24 ASIENTO

SEAT

| REF. Nº | CODIGO Nº PART NO. | DESCRIPCION DESCRIPTION | SFRA | | | OBSERVACIONES REMARKS |
|---------|--------------------|--------------------------------|------|--|--|--|
| 19 | 5LX-F477V-40 | GRAFICO1 GRAPHIC 1 | 2 | | | UR PARA YB UR PARA YB |
| | 5LX-F477V-50 | GRAFICO1 GRAPHIC 1 | 2 | | | UR PARA DRMK UR PARA DRMK |
| | 5LX-F477V-60 | GRAFICO1 GRAPHIC 1 | 2 | | | UR PARA S3 UR PARA S3 |
| | 5LX-F477V-70 | GRAFICO1 GRAPHIC 1 | 2 | | | UR PARA DPBMC UR PARA DPBMC |
| 20 | 5LX-F153E-00 | EMBLEMA, YAMAHA EMBLEM, YAMAHA | 1 | | | UR PARA YB UR PARA YB |
| | 5LX-F153E-10 | EMBLEMA, YAMAHA EMBLEM, YAMAHA | 1 | | | UR PARA DRMK,D... UR PARA DRMK,D... |
| | 5LX-F153E-20 | EMBLEMA, YAMAHA EMBLEM, YAMAHA | 1 | | | UR PARA S3 UR PARA S3 |
| ----- | | | | | | |
| ----- | | | | | | |
| ----- | | | | | | |
| ----- | | | | | | |
| ----- | | | | | | |
| ----- | | | | | | |
| ----- | | | | | | |
| ----- | | | | | | |
| ----- | | | | | | |
| ----- | | | | | | |



5HHF280-F240



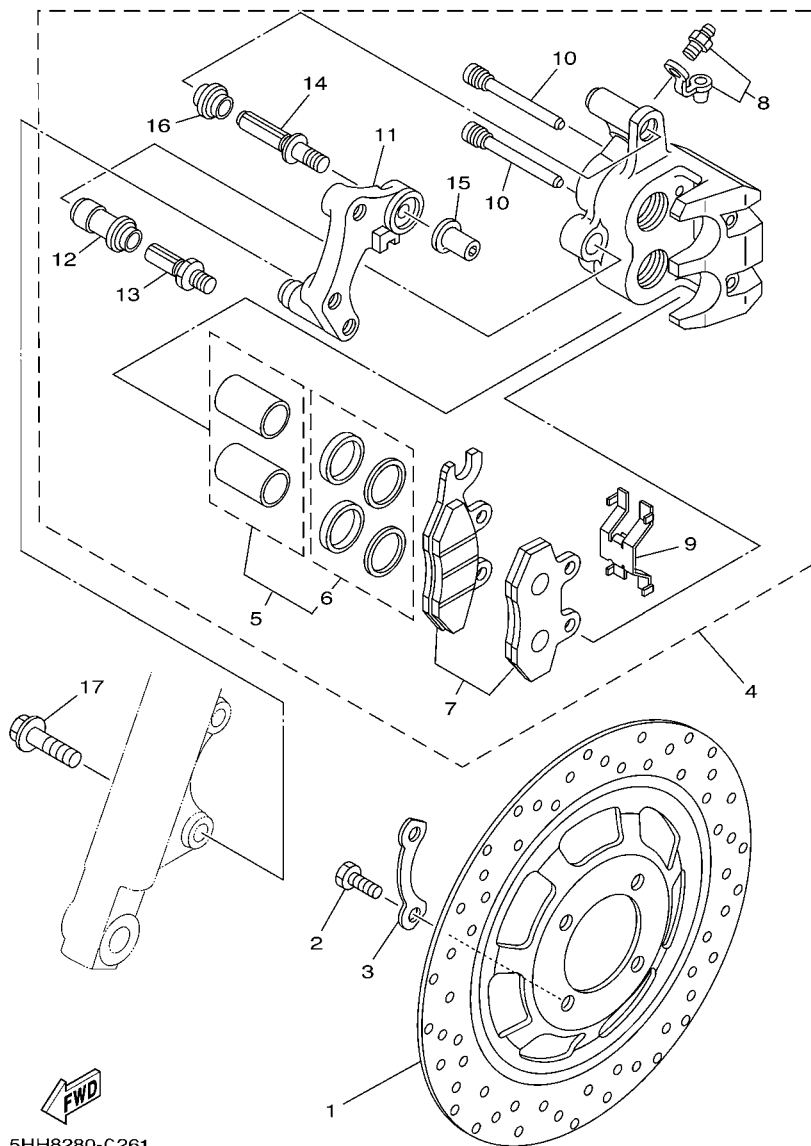

5HH8280-C251

FIG. 25 RUEDA DELANTERA

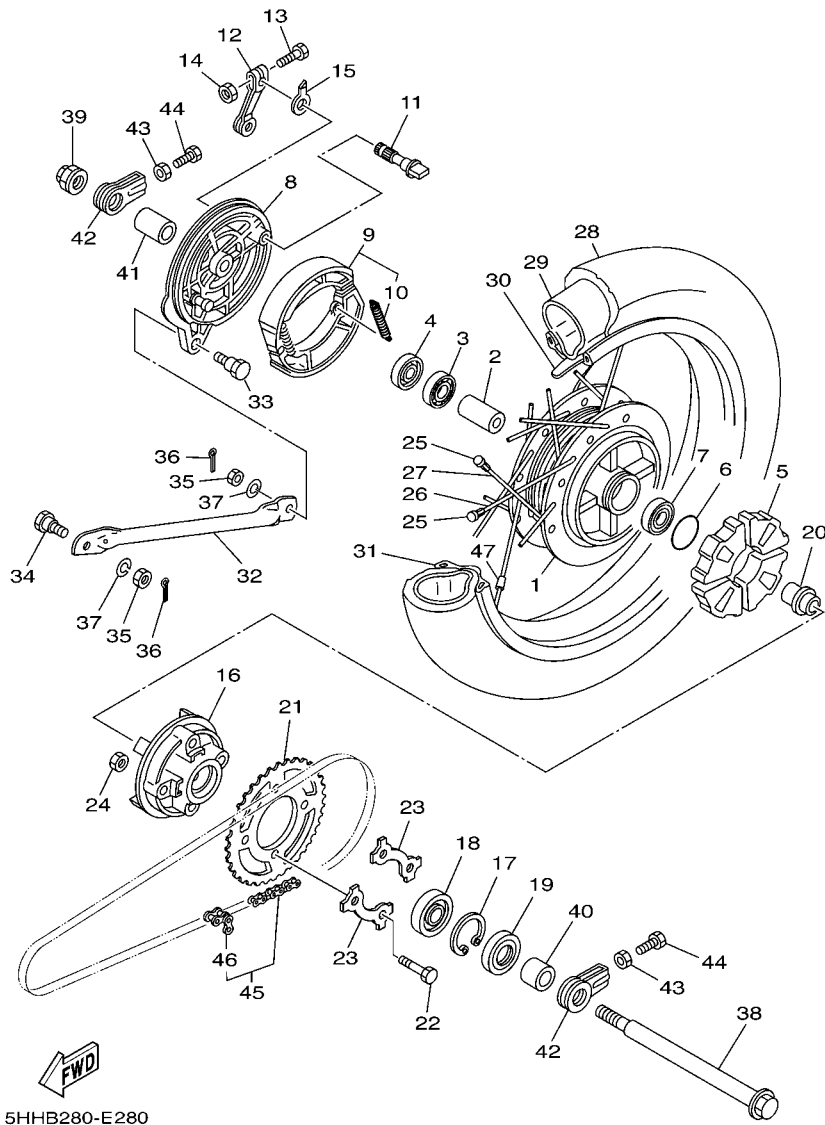
FRONT WHEEL

| REF. Nº | CODIGO Nº PART NO. | DESCRIPCION DESCRIPTION | SFRA | | | OBSERVACIONES REMARKS |
|---------|--------------------|--|------|--|--|--|
| 1 | 5HH-F5111-10-35 | MASA DELANTERA HUB, FRONT | 1 | | | SL PARA YB,DRM... SL PARA YB,DRM... |
| 2 | 90560-15293 | SEPARADOR SPACER | 1 | | | |
| 3 | 5VL-F5181-10 | EJE DE LA RUEDA AXLE, WHEEL | 1 | | | |
| 4 | 93306-20205 | COJINETE BEARING | 2 | | | KOYO KOYO |
| 5 | 93106-22W01 | SELLO ACEITE OIL SEAL | 1 | | | |
| 6 | 93105-45W04 | SELLO ACEITE OIL SEAL | 1 | | | |
| 7 | 3V9-F5149-01 | EMBRAGUE DEL CUENTAKMS CLUTCH, METER | 1 | | | |
| 8 | 3V9-F5846-01 | RETEN DEL EMBRAGUE RETAINER, CLUTCH | 1 | | | |
| 9 | 5HH-F5195-01 | NIPLE NIPPLE, SPOKE | 36 | | | |
| 10 | 5HH-F5197-01 | RAYOS EXTERNO 1 SPOKE, OUTER 1 | 18 | | | |
| 11 | 5HH-F5196-01 | RAYOS INTERNO 1 SPOKE, INNER 1 | 18 | | | |
| 12 | 94227-18851 | TUBO (2.75-18) TUBE (2.75-18) | 1 | | | PIRELLI PIRELLI |
| 13 | 94325-18800 | BANDA DE ARO (2.50-18) BAND, RIM (2.50-18) | 1 | | | |
| 14 | 94127-18887 | NEUMATICO (2.75-18) TIRE (2.75-18) | 1 | | | PIRELLI PIRELLI |
| 15 | 94416-18802 | ARO (1.60-18) RIM (1.60-18) | 1 | | | |
| 16 | 3HT-25398-00 | CONTRAPESO DE RUEDA (15G) BALANCER, WHEEL (15G) | 1 | | | UN UN |
| 17 | 3V9-F5190-10 | UNIDAD DE ENGRANAJE COMPLETA GEAR UNIT ASSY | 1 | | | |
| 18 | 3V9-F5137-00 | .ANILLO DE TOPE .RING, STOP | 1 | | | |
| 19 | 90201-25286 | .ARANDELA PLANA .WASHER, PLATE | 1 | | | |
| 20 | 3V9-F5135-00 | .ENGRANAJE DE TRACCION .GEAR, DRIVE | 1 | | | |
| 21 | 90201-25490 | .ARANDELA PLANA .WASHER, PLATE | 1 | | | |
| 22 | 93210-064A5 | .ANILLO O .O-RING | 1 | | | |
| 23 | 95607-14200 | TUERCA DE AUTO-CIERRE NUT, SELF-LOCKING | 1 | | | |
| 24 | 5HH-F5118-10 | CUBIERTA DE MASA PARA POLVO COVER, HUB DUST | 1 | | | |
| 25 | 90387-151M3 | ESPACIADOR COLLAR | 1 | | | |

FIG. 26 CALIBRE FRENO DELANTERA FRONT BRAKE CALIPER



| REF. N° | CODIGO N° PART NO. | DESCRIPCION DESCRIPTION | SFRA | | | | OBSERVACIONES REMARKS |
|---------|--------------------|--|------|--|--|--|-----------------------|
| 1 | 5HH-F582U-00 | DISCO DE FRENO (DERECHO) DISK, BRAKE (RIGHT) | 1 | | | | |
| 2 | 90109-08367 | PERNO BOLT | 4 | | | | |
| 3 | 3V9-F5412-00 | ARANDELA WASHER | 2 | | | | |
| 4 | 5HH-F580U-00 | CALIBRE COMPLETO (DERECHO) CALIPER ASSY (RIGHT) | 1 | | | | |
| 5 | 5RM-W0057-00 | .PISTON COMPLETO PINZA .PISTON ASSY, CALIPER | 1 | | | | |
| 6 | 5RM-W0047-00 | ..JUEGO DE RETENES DE PINZA ..CALIPER SEAL KIT | 1 | | | | |
| 7 | 5HH-W0045-10 | .JUEGO DE COJIN DE FRENO .BRAKE PAD KIT | 1 | | | | |
| 8 | 5HH-W0048-00 | .CJTO TORNILLO DE PURGA .BLEED SCREW KIT | 1 | | | | |
| 9 | 5HH-F5934-00 | .RESORTE, COJIN .SPRING, PAD | 1 | | | | |
| 10 | 5HH-F5924-00 | .PASADOR .PIN, PAD | 2 | | | | |
| 11 | 5HH-25921-00 | .MENSULA DE SOPORTE .BRACKET, SUPPORT | 1 | | | | |
| 12 | 5HH-F5937-00 | .FUNDA .BOOT 2 | 1 | | | | |
| 13 | 5HH-F5926-00 | .PERNO .BOLT | 1 | | | | |
| 14 | 5HH-F536G-00 | .PASADOR .PIN | 1 | | | | |
| 15 | 5HH-F5961-00 | .TUERCA .NUT | 1 | | | | |
| 16 | 5HH-F5917-00 | .FUNDA DE CALIBRE .BOOT, CALIPER | 1 | | | | |
| 17 | 90105-10638 | TORNILLO BOLT, FLANGE | 2 | | | | |



5HHB280-E280

FIG. 27 RUEDA TRASERA

REAR WHEEL

| REF. Nº | CODIGO Nº PART NO. | DESCRIPCION DESCRIPTION | SFRA | | | OBSERVACIONES REMARKS |
|---------|--------------------|--|------|--|--|--|
| 1 | 5HH-F5311-00-35 | MASA TRASERA HUB, REAR | 1 | | | SL PARA YB,DRM... SL PARA YB,DRM... |
| 2 | 90560-15800 | SEPARADOR SPACER | 1 | | | |
| 3 | 93306-20205 | COJINETE BEARING | 1 | | | KOYO KOYO |
| 4 | 93104-22W02 | SELLO ACEITE OIL SEAL | 1 | | | |
| 5 | 5HH-F5364-00 | AMORTIGUADOR DAMPER | 4 | | | |
| 6 | 93210-42W01 | ANILLO O O-RING | 1 | | | |
| 7 | 93306-20204 | COJINETE BEARING | 1 | | | KOYO KOYO |
| 8 | 5HH-F5321-02-35 | PLACA DE ZAPATA DE FRENO PLATE, BRAKE SHOE | 1 | | | SL PARA YB,DRM... SL PARA YB,DRM... |
| 9 | 5HH-F5330-00 | ZAPATA DE FRENO COMPLETA BRAKE SHOE COMP. | 1 | | | |
| 10 | 90506-15260 | .RESORTE DE TENSION .SPRING TENSION | 2 | | | |
| 11 | 5HH-F5351-01 | ARBOL DE LEVAS CAMSHAFT | 1 | | | |
| 12 | 5HH-F5355-01 | PALANCA DE ARBOL DE LEVAS LEVER, CAMSHAFT | 1 | | | |
| 13 | 90101-06W00 | TORNILLO BOLT | 1 | | | |
| 14 | 9530M-06600 | TUERCA NUT | 1 | | | |
| 15 | 5HH-F533A-00 | PLACA INDICADOR PLATE, INDICATOR | 1 | | | |
| 16 | 23L-F5366-00 | EMBRAGÜE DE MASA CLUTCH, HUB | 1 | | | |
| 17 | 93420-42007 | SEGURO CIRCLIP | 1 | | | |
| 18 | 93306-054Y4 | COJINETE BEARING | 1 | | | |
| 19 | 93106-26005 | SELLO ACEITE OIL SEAL | 1 | | | |
| 20 | 5HH-F5387-00 | EJE DE CORONA AXLE, SPROCKET | 1 | | | |
| 21 | 5HH-F5445-00 | CORONA (45T) SPROCKET, DRIVEN (45T) | 1 | | | |
| 22 | 90109-08864 | PERNO BOLT | 4 | | | |
| 23 | 23L-F5412-00 | ARANDELA WASHER | 2 | | | |
| 24 | 90179-08639 | TUERCA NUT | 4 | | | |
| 25 | 5HH-F5195-10 | NIPLE NIPPLE, SPOKE | 36 | | | |
| 26 | 5HH-F5396-10 | RAYOS INTERNO 2 SPOKE, INNER 2 | 18 | | | |
| 27 | 5HH-F5397-10 | RAYOS EXTERNO 2 SPOKE, OUTER 2 | 18 | | | |

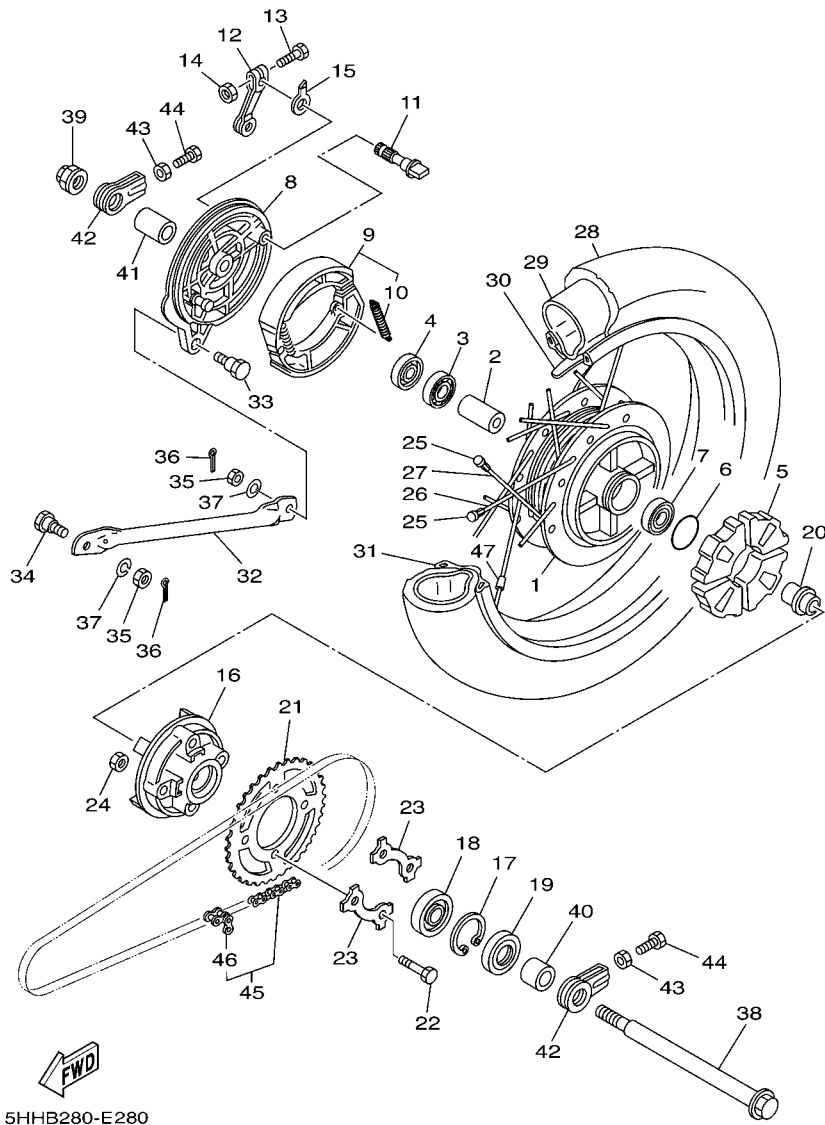
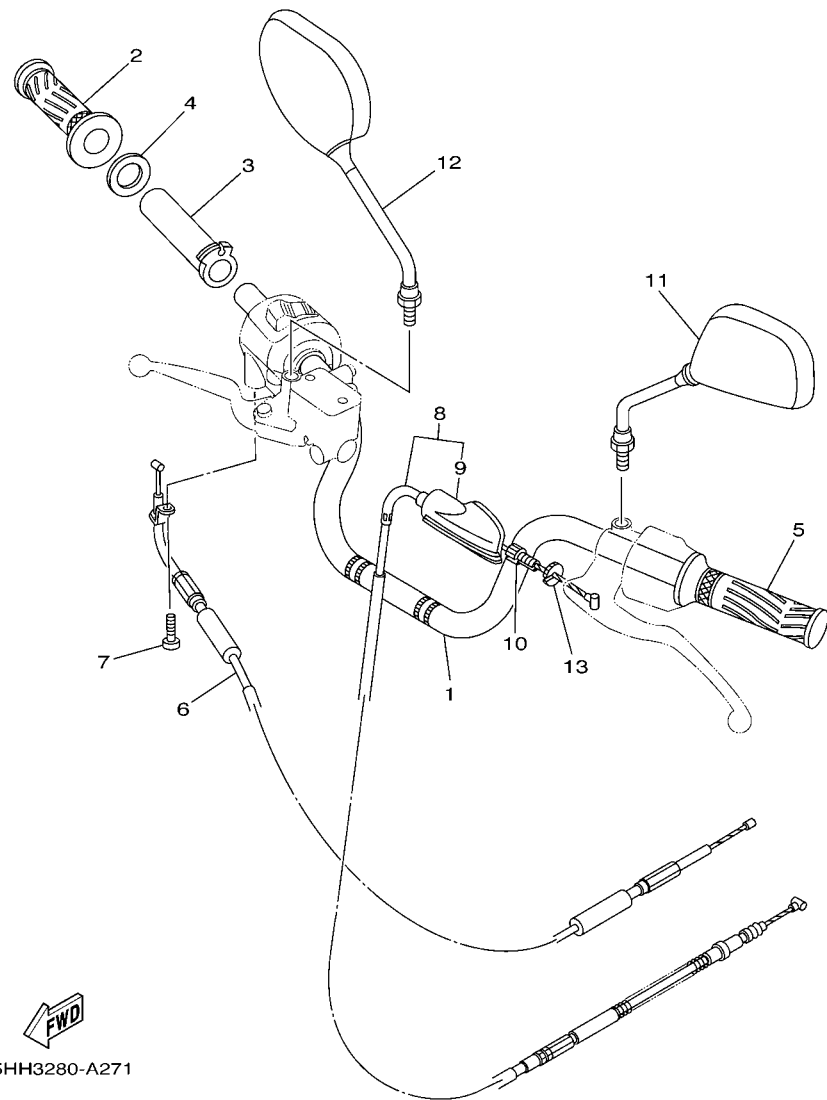


FIG. 27 RUEDA TRASERA

REAR WHEEL

| REF. Nº | CODIGO Nº PART NO. | DESCRIPCION DESCRIPTION | SFRA | | | OBSERVACIONES REMARKS |
|---------|--------------------|--|------|--|--|-----------------------|
| 28 | 94132-18886 | NEUMATICO (3.25-18) TIRE (3.25-18) | 1 | | | PIRELLI |
| 29 | 94227-18851 | TUBO (2.75-18) TUBE (2.75-18) | 1 | | | PIRELLI |
| 30 | 94325-18800 | BANDA DE ARO (2.50-18) BAND, RIM (2.50-18) | 1 | | | PIRELLI |
| 31 | 94418-18804 | ARO (1.85-18) RIM (1.85-18) | 1 | | | PIRELLI |
| 32 | 3V9-F5371-01 | BARRA TENSORA BAR, TENSION | 1 | | | |
| 33 | 90109-08801 | PERNO BOLT | 1 | | | |
| 34 | 90109-08804 | PERNO BOLT | 1 | | | |
| 35 | 9531M-08600 | TUERCA NUT | 2 | | | |
| 36 | 91401-20012 | PASADOR DE CHAVETA PIN, COTTER | 2 | | | |
| 37 | 9290M-08100 | ARANDELA WASHER | 2 | | | |
| 38 | 5VL-F5381-00 | EJE DE RUEDA AXLE, WHEEL | 1 | | | |
| 39 | 95607-14200 | TUERCA DE AUTO-CIERRE NUT, SELF-LOCKING | 1 | | | |
| 40 | 5HH-F5386-00 | COLLAR EJE DE RUEDA DENTADA COLLAR, SPROCKET AXLE | 1 | | | |
| 41 | 5HH-F5377-00 | COLLAR DE RUEDA COLLAR, WHEEL | 1 | | | |
| 42 | 5HH-F5388-00 | TIRADOR DE CADENA 1 PULLER, CHAIN 1 | 2 | | | |
| 43 | 9531M-08600 | TUERCA NUT | 2 | | | |
| 44 | 90101-08W09 | TORNILLO BOLT | 2 | | | |
| 45 | 94560-53118 | CADENA (DID248H-118L) CHAIN (DID428H-118L) | 1 | | | |
| 46 | 94661-53001 | .CONECTOR DE CADENA (DID428H) .JOINT (DID428H) | 1 | | | |
| 47 | 3HT-25398-00 | CONTRAPESO DE RUEDA (15G) BALANCER, WHEEL (15G) | 1 | | | UN UN |



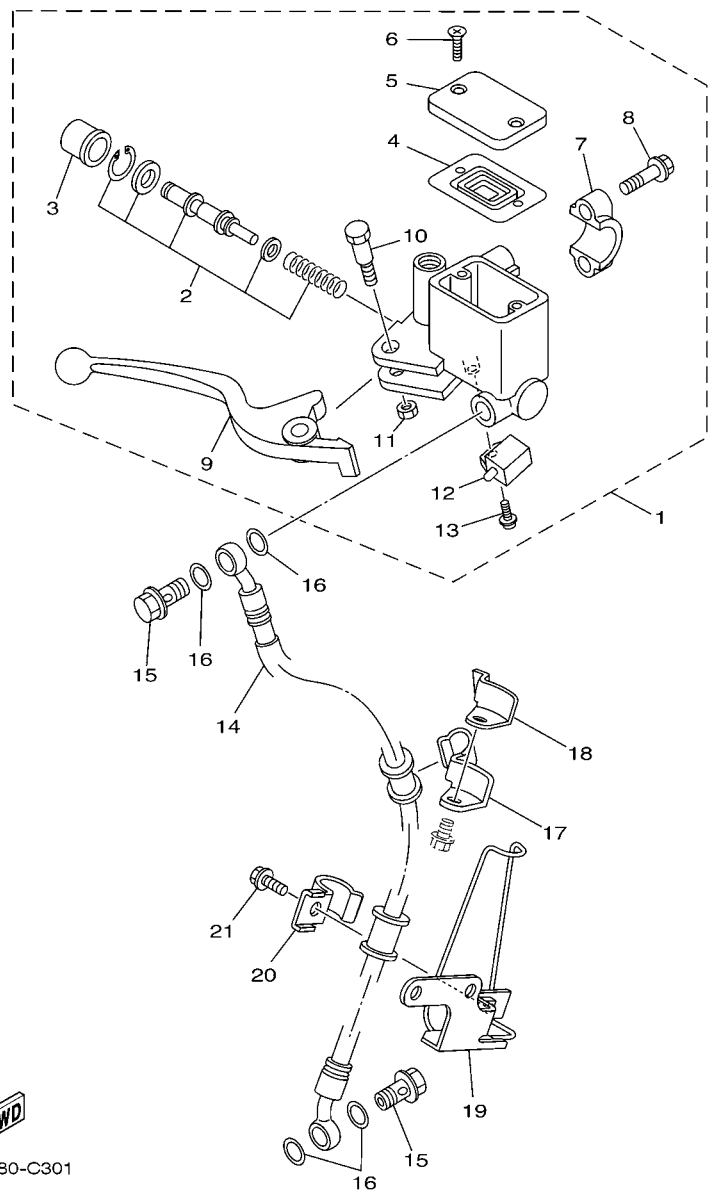
5HH3280-A271

FIG. 28 MANILLAR & CABLE

STEERING HANDLE & CABLE

| REF. Nº | CODIGO Nº PART NO. | DESCRIPCION DESCRIPTION | SFRA | | | | OBSERVACIONES REMARKS |
|---------|--------------------|--|------|--|--|--|-----------------------|
| 1 | 5HH-F6111-10 | MANUBRIO HANDLEBAR | 1 | | | | |
| 2 | 5HH-F6242-00 | EMPUNADURA (MD) GRIP (RIGHT) | 1 | | | | |
| 3 | 5HH-F6243-00 | TUBO DE GUIA DE OBTURADOR TUBE, THROTTLE GUIDE | 1 | | | | |
| 4 | 90201-261L1 | ARANDELA PLANA WASHER, PLATE | 1 | | | | |
| 5 | 5HH-F6241-00 | EMPUNADURA (MI) GRIP (LEFT) | 1 | | | | |
| 6 | 5HH-F6311-11 | CABLE DE ACELERADOR 1 CABLE, THROTTLE 1 | 1 | | | | |
| 7 | 9851M-05016 | TORNILLO DE CABEZA CON PLANA SCREW, PAN HEAD | 1 | | | | |
| 8 | 5HH-F6335-10 | CABLE DE EMBRAGUE CABLE, CLUTCH | 1 | | | | |
| 9 | 5HH-F6372-00 | .CUBIERTA DE PALANCA DE MANUB 1 .COVER, HANDLE LEVER 1 | 1 | | | | |
| 10 | 90123-08046 | PERNO BOLT | 1 | | | | |
| 11 | 5HH-F6280-00 | ESPEJO COMPLETO (IZQUIERDO) REAR VIEW MIRROR ASSY (LEFT) | 1 | | | | |
| 12 | 5HH-F6290-00 | ESPEJO COMPLETO (DERECHO) REAR VIEW MIRROR ASSY (RIGHT) | 1 | | | | |
| 13 | 90179-08148 | TUERCA NUT | 1 | | | | |
| | | | | | | | |
| | | | | | | | |
| | | | | | | | |
| | | | | | | | |

FIG. 29 CILINDRO MAESTRO DELANTERO FRONT MASTER CYLINDER

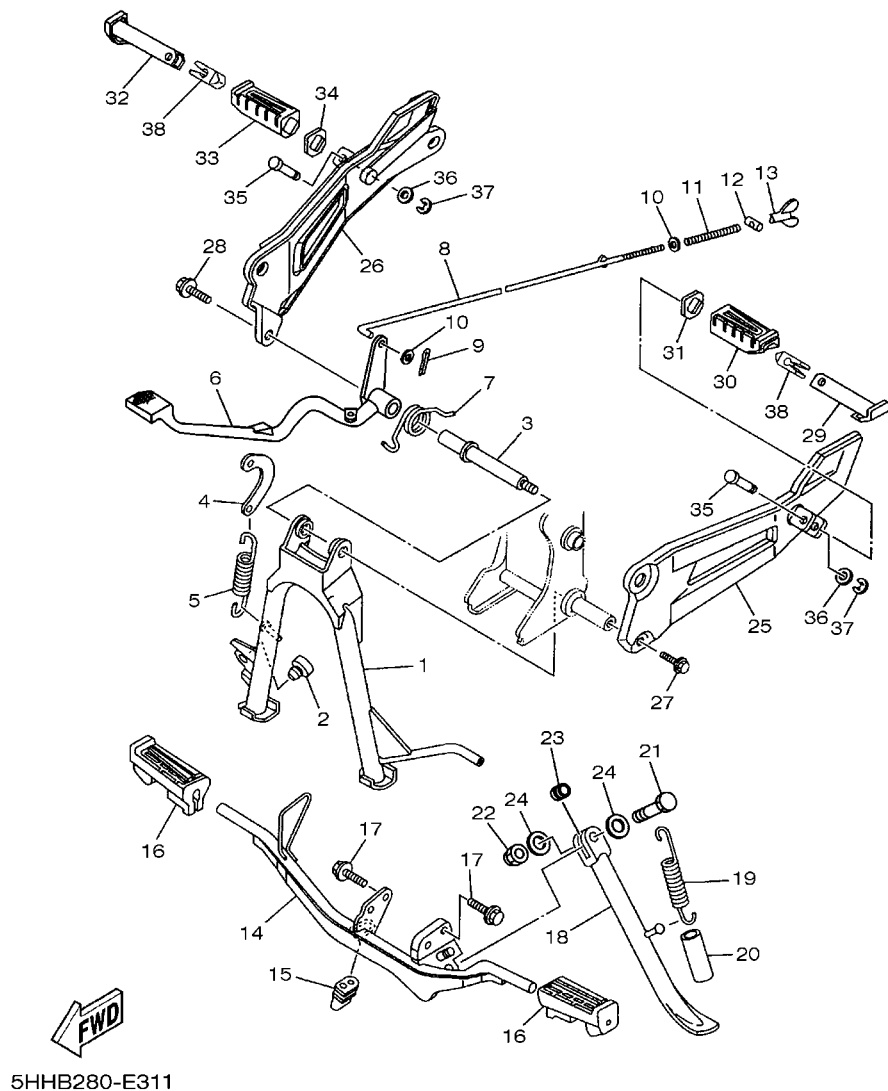


5HH8280-C301

| REF. Nº | CODIGO Nº PART NO. | DESCRIPCION DESCRIPTION | SFRA | | | | OBSERVACIONES REMARKS |
|---------|--------------------|--|------|--|--|--|-----------------------|
| 1 | 5HH-F583T-10 | CILINDRO MAESTRO COMPLETO MASTER CYLINDER ASSY | 1 | | | | |
| 2 | 5HH-W0041-00 | .JUEGO DE CILINDRO MAESTRO .CYLINDER KIT, MASTER | 1 | | | | |
| 3 | 5HH-F5868-00 | .FUNDA DE CILINDRO MAESTRO .BOOT, MASTER CYLINDER | 1 | | | | |
| 4 | 5HH-F5854-00 | .DIAFRAGMA TANQUE RESERVA .DIAPHRAGM, RESERVOIR | 1 | | | | |
| 5 | 5HH-F5852-00 | .TAPA DE TANQUE DE RESERVA .CAP, RESERVOIR | 1 | | | | |
| 6 | 9870M-04012 | .TORNILLO DE CÁBEZA PLANA .SCREW, FLAT HEAD | 2 | | | | |
| 7 | 5HH-F5867-00 | .SOPORTE DE CILINDRO MAESTRO .BRACKET, MASTER CYLINDER | 1 | | | | |
| 8 | 5HH-F6332-00 | .TORNILLO .BOLT, FLANGE | 2 | | | | |
| 9 | 5HH-H3922-20 | .PALANCA 2 .LEVER 2 | 1 | | | | |
| 10 | 90109-06577 | .PERNO .BOLT | 1 | | | | |
| 11 | 9560M-06100 | .TUERCA AUTOBLOCANTE .NUT, U | 1 | | | | |
| 12 | 5HH-H3980-10 | .INTERRUP. DE PARADA DELANTERO .FRONT STOP SWITCH ASSY | 1 | | | | |
| 13 | 97601-04312 | .TORNILLO CON RONDONA .SCREW, PAN HEAD WITH WASHER | 1 | | | | |
| 14 | 5HH-F5872-20 | MANGUERA DE FRENO 1 HOSE, BRAKE 1 | 1 | | | | |
| 15 | 90401-10816 | PERNO DE UNION BOLT, UNION | 2 | | | | |
| 16 | 90201-10886 | ARÁNDELA PLANA WASHER, PLATE | 4 | | | | |
| 17 | 5HH-F5887-00 | SOPORTE DE MANGUERA FRENO HOLDER, BRAKE HOSE | 1 | | | | |
| 18 | 5HH-F5886-00 | SOPORTE DE MANGUERA FRENO HOLDER, BRAKE HOSE | 1 | | | | |
| 19 | 5HH-F5875-01 | SOPORTE DE MANGUERA FRENO 1 HOLDER, BRAKE HOSE 1 | 1 | | | | |
| 20 | 5HH-F5876-00 | SOPORTE DE MANGUERA FRENO 2 HOLDER, BRAKE HOSE 2 | 1 | | | | |
| 21 | 9502M-06016 | PERNO, DE BRIDA BOLT, FLANGE | 1 | | | | |

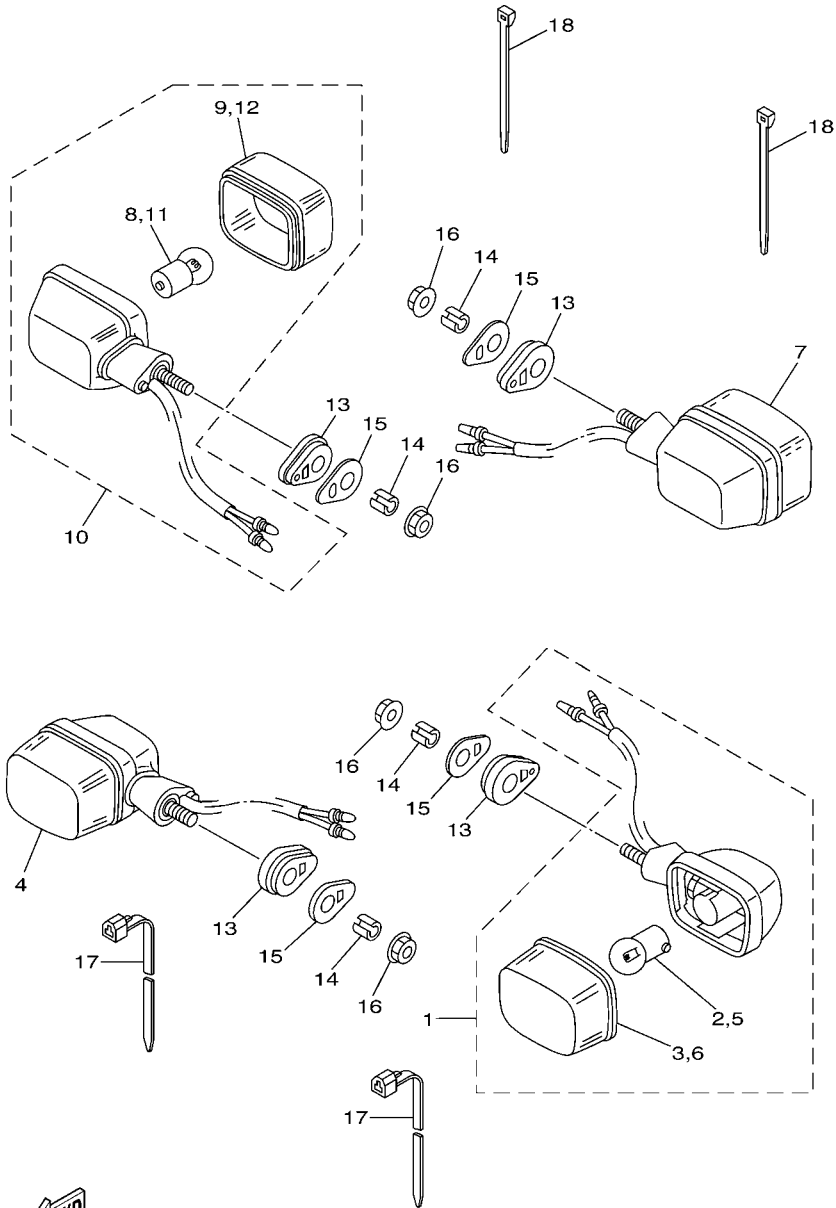
FIG. 30 SOPORTE & APOYAPIE

STAND & FOOTREST



5HHB280-E311

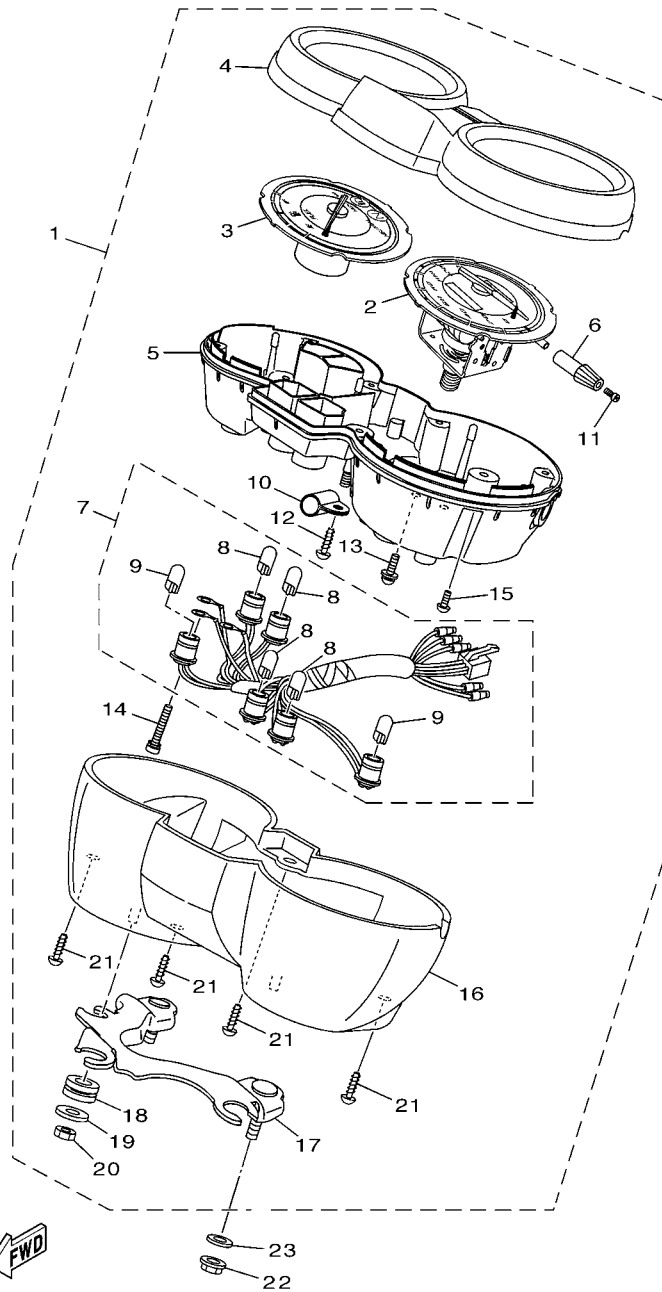
| REF. Nº | CODIGO Nº PART NO. | DESCRIPCION DESCRIPTION | SFRA | | | OBSERVACIONES REMARKS |
|---------|--------------------|---|------|--|--|-----------------------|
| 1 | 5HH-F7111-10 | PUNTAL PRINCIPAL STAND, MAIN | 1 | | | |
| 2 | 4AN-F4741-10 | COJIN DE ASIENTO PAD, SEAT | 1 | | | |
| 3 | 5VL-F7112-10 | EJE DE PUNTAL PRINCIPAL SHAFT, MAIN STAND | 1 | | | |
| 4 | 5HH-F7115-00 | CONEXION DE PUNTAL PRINCIPAL LINK, MAIN STAND | 1 | | | |
| 5 | 90506-32800 | RESORTE DE TENSION SPRING, TENSION | 1 | | | |
| 6 | 5VL-F7211-00 | PEDAL DE FRENO PEDAL, BRAKE | 1 | | | |
| 7 | 90508-40801 | RESORTE DE TORSION SPRING, TORSION | 1 | | | |
| 8 | 5HH-F7231-01 | VARILLA DE FRENO ROD, BRAKE | 1 | | | |
| 9 | 91401-20012 | PASADOR DE CHAVETA PIN, COTTER | 1 | | | |
| 10 | 9290M-06200 | ARANDELA WASHER | 2 | | | |
| 11 | 90501-10801 | RESORTE DE COMPRESION SPRING, COMPRESSION | 1 | | | |
| 12 | 90249-12800 | PASADOR PIN | 1 | | | |
| 13 | 90179-06W21 | TUERCA NUT | 1 | | | |
| 14 | 5HH-F7411-20 | APOYAPIE 1 FOOTREST 1 | 1 | | | |
| 15 | 5HH-H2109-10 | UNION, TUBO JOINT, HOSE | 1 | | | |
| 16 | 5HH-F7413-10 | CUBIERTA DE APOYAPIE COVER, FOOTREST | 2 | | | |
| 17 | 9581M-08020 | TORNILLO BOLT, FLANGE | 2 | | | |
| 18 | 5HH-F7311-20 | PUNTAL LATERAL STAND, SIDE | 1 | | | |
| 19 | 90506-29800 | RESORTE DE TENSION SPRING, TENSION | 1 | | | |
| 20 | 90445-17W10 | TUBO HOSE | 1 | | | |
| 21 | 90101-10812 | TORNILLO BOLT | 1 | | | |
| 22 | 90185-10060 | TUERCA AUTOBLOCANTE NUT, SELF-LOCKING | 1 | | | |
| 23 | 90387-10003 | ESPACIADOR COLLAR | 1 | | | |
| 24 | 90201-10829 | ARANDELA PLANA WASHER, PLATE | 2 | | | |
| 25 | 5HH-F7452-01 | SOPORTE, DE APOYAPIE 1 BRACKET, FOOTREST 1 | 1 | | | |
| 26 | 5HH-F7462-01 | SOPORTE, DE APOYAPIE 2 BRACKET, FOOTREST 2 | 1 | | | |
| 27 | 9581M-08020 | TORNILLO BOLT, FLANGE | 1 | | | |



5HHB280-E350

FIG. 33 LUZ DE DESTELLADOR FLASHER LIGHT

| REF. Nº | CODIGO Nº PART NO. | DESCRIPCION DESCRIPTION | SFRA | | | OBSERVACIONES REMARKS |
|---------|--------------------|--|------|--|--|-----------------------|
| 1 | 5RM-H3310-00 | DESTELLADOR DE LUZ DELANT. FRONT FLASHER LIGHT ASSY 1 | 1 | | | |
| 2 | 42K-H3311-00 | .BOMBILLA DE DESTELLADOR(12V/10 .BULB, FLASHER (12V/10W) | 1 | | | |
| 3 | 5RM-H3312-00 | .LENTE DE DESTELLADOR .LENS, FLASHER | 1 | | | |
| 4 | 5RM-H3320-00 | DESTELLADOR DE LUZ DELANT. FRONT FLASHER LIGHT ASSY 2 | 1 | | | |
| 5 | 42K-H3311-00 | .BOMBILLA DE DESTELLADOR(12V/10 .BULB, FLASHER (12V/10W) | 1 | | | |
| 6 | 5RM-H3312-00 | .LENTE DE DESTELLADOR .LENS, FLASHER | 1 | | | |
| 7 | 5RM-H3310-00 | DESTELLADOR DE LUZ DELANT. FRONT FLASHER LIGHT ASSY 1 | 1 | | | |
| 8 | 42K-H3311-00 | .BOMBILLA DE DESTELLADOR(12V/10 .BULB, FLASHER (12V/10W) | 1 | | | |
| 9 | 5RM-H3312-00 | .LENTE DE DESTELLADOR .LENS, FLASHER | 1 | | | |
| 10 | 5RM-H3320-00 | DESTELLADOR DE LUZ DELANT. FRONT FLASHER LIGHT ASSY 2 | 1 | | | |
| 11 | 42K-H3311-00 | .BOMBILLA DE DESTELLADOR(12V/10 .BULB, FLASHER (12V/10W) | 1 | | | |
| 12 | 5RM-H3312-00 | .LENTE DE DESTELLADOR .LENS, FLASHER | 1 | | | |
| 13 | 5HH-H3321-01 | AMORTIGUADOR DE DESTELLADOR 1 DAMPER, FLASHER 1 | 4 | | | |
| 14 | 5HH-H3316-00 | ESPACIADOR DE DESTELLADOR 1 COLLAR, FLASHER 1 | 4 | | | |
| 15 | 5HH-H3359-02 | ARANDELA ESPECIAL WASHER, SPECIAL | 4 | | | |
| 16 | 9570M-08500 | TUERCA DE BRIDA NUT, FLANGE | 4 | | | |
| 17 | 90464-15195 | BRIDA CLAMP | 2 | | | |
| 18 | 90465-13152 | BRIDA CLAMP | 2 | | | |



5LX6280-E300

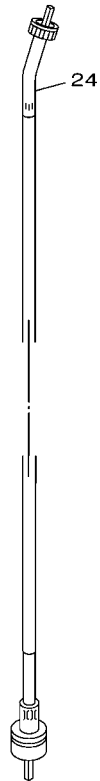


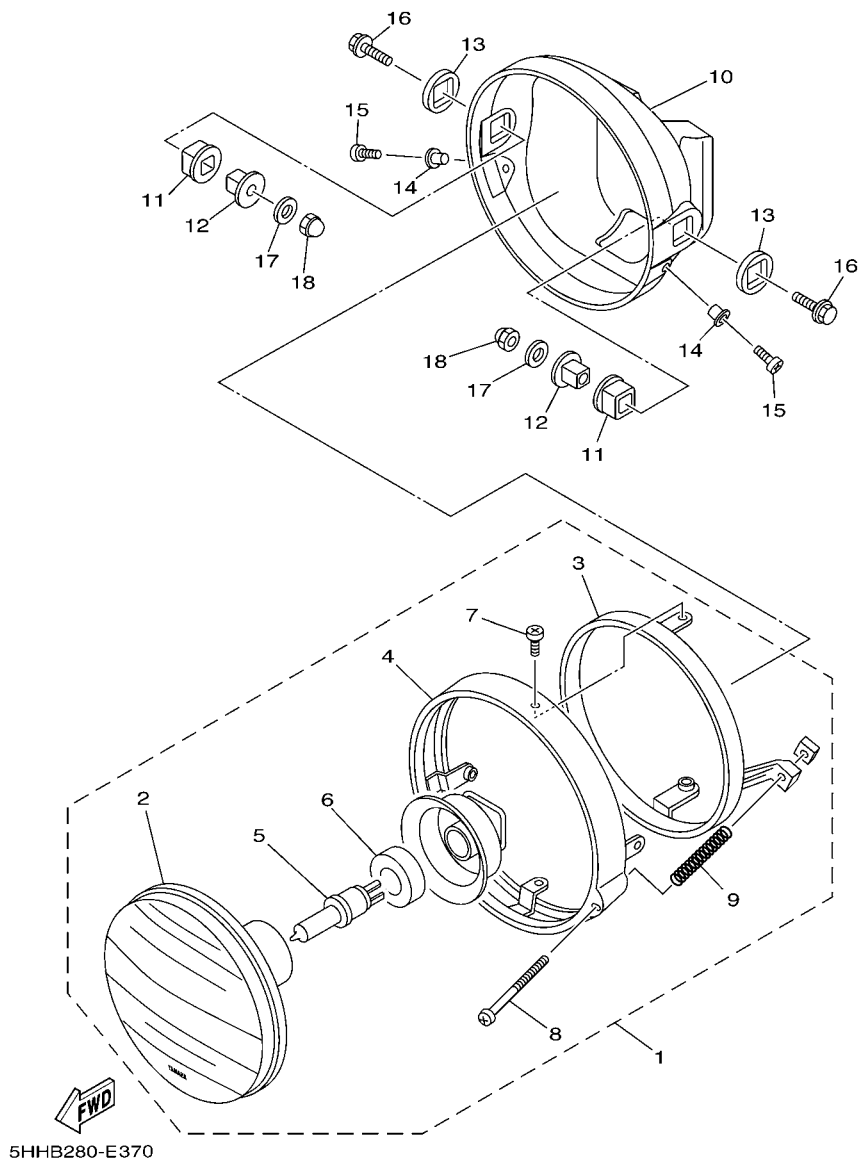
FIG. 34 MEDIDOR

METER

| REF. Nº | CODIGO Nº PART NO. | DESCRIPCION DESCRIPTION | SFRA | | | OBSERVACIONES REMARKS |
|---------|--------------------|--|------|--|--|-----------------------|
| 1 | 5HH-H3500-40 | METRO COMPLETO METER ASSY | 1 | | | |
| 2 | 5HH-H3570-00 | .VELOCIMETRO COMPLETO .SPEEDOMETER ASSY | 1 | | | |
| 3 | 5HH-H5750-00 | .MEDIDOR DE COMBUSTIBLE COMPL. .FUEL METER ASSY | 1 | | | |
| 4 | 5HH-H353E-00 | .CAJA DE MEDIDOR SUPERIOR .CASE, METER UPPER | 1 | | | |
| 5 | 5HH-H3572-00 | .CAJA DE VELOCIMETRO INFERIOR .CASE, SPEEDOMETER LOWER | 1 | | | |
| 6 | 5HH-H3578-00 | .PERILLA MEDIDOR DE RECORRIDO .KNOB, TRIP METER | 1 | | | |
| 7 | 5HH-H3509-00 | .ENCASTRE DE CABLE COMPLETO .SOCKET CORD ASSY | 1 | | | |
| 8 | 5HH-H3517-10 | ..AMPOLLETA (T10 12V-3W) ..BULB (T10 12V-3W) | 4 | | | |
| 9 | 5HH-H3517-20 | ..AMPOLLETA (12V-3.4W ILUMI) ..BULB (12V-3.4W ILUMI) | 2 | | | |
| 10 | 4NK-8357E-00 | .GRAMPA .CLAMP | 1 | | | |
| 11 | 90157-02031 | .TORNILLO CABEZA CONICA PLANA .SCREW, PAN HEAD | 1 | | | |
| 12 | 97707-40014 | .TORNILLO ROSCA HEMBRA .SCREW, TAPPING | 1 | | | |
| 13 | 97672-40310 | .TORNILLO CAB CON PLANA C/ARAN .SCREW, PAN HEAD WITH WASHER | 2 | | | |
| 14 | 90159-03102 | .TORNILLO CON VALONA .SCREW, WITH WASHER | 3 | | | |
| 15 | 97702-30014 | .TORNILLO ROSCA HEMBRA .SCREW, TAPPING | 8 | | | |
| 16 | 5HH-H3559-10 | .CUBIERTA DE MEDIDOR .COVER, METER | 1 | | | |
| 17 | 5HH-H3519-10 | .SOPORTE DE MEDIDOR .BRACKET, METER | 1 | | | |
| 18 | 5HH-H3513-10 | .AMORTIGUADOR .DAMPER | 3 | | | |
| 19 | 5HH-H3566-00 | .ARANDELA .WASHER, SPECIAL | 3 | | | |
| 20 | 95302-60600 | .TUERCA .NUT | 3 | | | |
| 21 | 97707-40014 | .TORNILLO ROSCA HEMBRA .SCREW, TAPPING | 4 | | | |
| 22 | 90185-06W10 | TUERCA AUTOBLOCANTE NUT, SELF-LOCKING | 2 | | | |
| 23 | 9290M-06200 | ARANDELA WASHER | 2 | | | |
| 24 | 5HH-H3550-11 | CABLE DE VELOCIMETRO COMPLETO SPEEDOMETER CABLE ASSY | 1 | | | |

FIG. 35 FARO DELANTERO

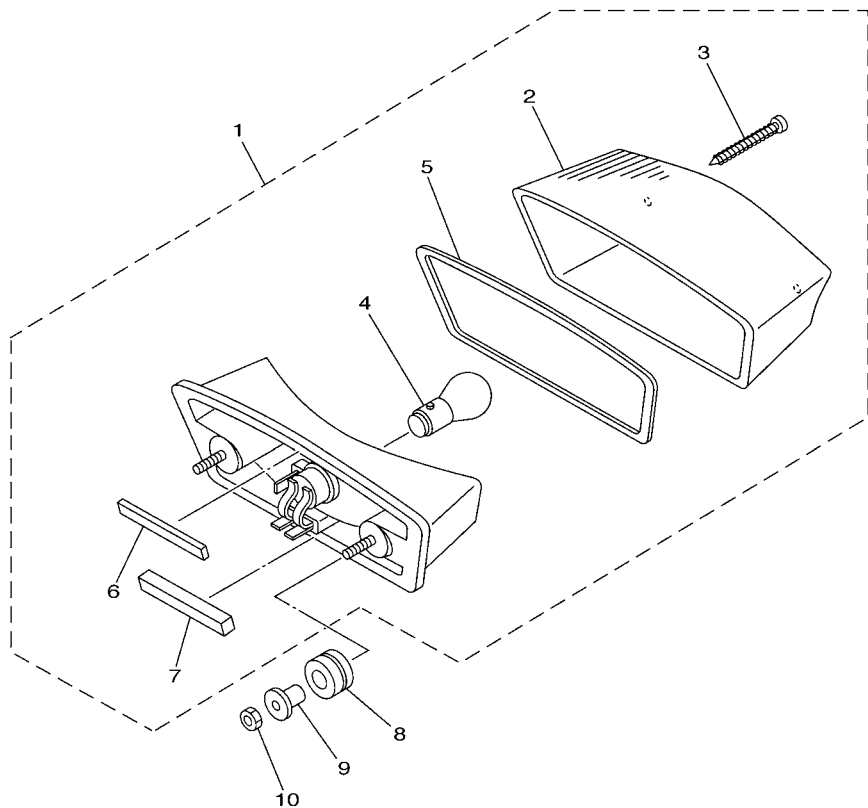
HEADLIGHT



| REF. Nº | CODIGO Nº PART NO. | DESCRIPCION DESCRIPTION | SFRA | | | | OBSERVACIONES REMARKS |
|---------|--------------------|--|------|--|--|--|-----------------------|
| 1 | 5HH-H4310-10 | UNIDAD DE FARO DELANTERO COMPL HEADLIGHT UNIT ASSY | 1 | | | | |
| 2 | 5HH-H4320-10 | .LENTE COMPLETO .LENS ASSY | 1 | | | | |
| 3 | 5HH-H411R-10 | .PASADOR .PIN | 1 | | | | |
| 4 | 5HH-H4115-10 | .ARO DE FARO DELANTERO .RIM, HEADLIGHT | 1 | | | | |
| 5 | 4AN-H4314-00 | .BOMBILLA (12V-35/35W) .BULB, HEADLIGHT (12V-35/35W) | 1 | | | | |
| 6 | 5HH-H4375-10 | .PLACA DE COLOCACION AMPOLLETA .FITTING PLATE, BULB | 1 | | | | |
| 7 | 5HH-H4325-10 | .TORNILLO DE ARO .SCREW, RIM FITTING | 2 | | | | |
| 8 | 5HH-H4331-10 | .TORNILLO DE AJUSTE DE ARO .SCREW, RIM ADJUSTING | 1 | | | | |
| 9 | 5HH-H4332-10 | .RESORTE DE TORNILLO .SPRING, SCREW | 1 | | | | |
| 10 | 5HH-H4311-00 | CUERPO DE FARO DELANTERO BODY, HEADLIGHT | 1 | | | | |
| 11 | 5HH-H4163-01 | AMORTIGUADOR DAMPER | 2 | | | | |
| 12 | 5HH-H4145-00 | COLLAR ACCESORIO DE CUERPO COLLAR, BODY FITTING | 2 | | | | |
| 13 | 5HH-H4164-01 | AMORTIGUADOR DAMPER | 2 | | | | |
| 14 | 5HH-H4128-00 | ESPACIADOR SPACER | 2 | | | | |
| 15 | 9851M-05012 | TORNILLO DE CABEZA CON PLANA SCREW, PAN HEAD | 2 | | | | |
| 16 | 9502L-08025 | PERNO, DE BRIDA BOLT, FLANGE | 2 | | | | |
| 17 | 9290M-08200 | ARANDELA WASHER | 2 | | | | |
| 18 | 95307-08800 | TUERCA NUT | 2 | | | | |

FIG. 36 LUZ DE COLA

TAILLIGHT

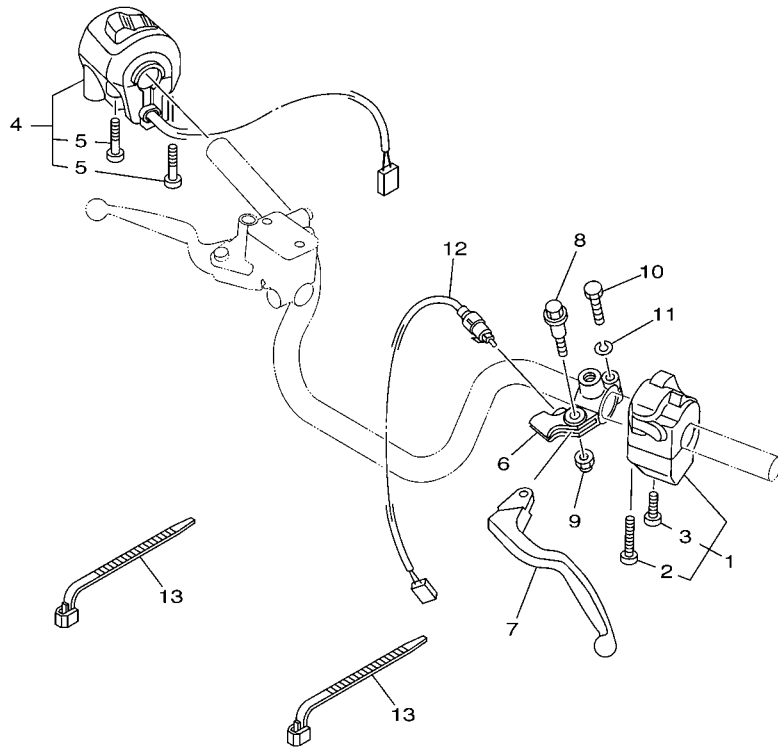


5HHB280-E380

| REF. N° | CODIGO N° PART NO. | DESCRIPCION DESCRIPTION | 5FRRA | | | | OBSERVACIONES REMARKS |
|---------|--------------------|--|-------|--|--|--|-----------------------|
| 1 | 5HH-H4710-00 | UNIDAD FARO TRASERO COMPL. TAILLIGHT UNIT ASSY | 1 | | | | |
| 2 | 5HH-H4521-00 | .LENTE DE FARO TRASERO .LENS, TAILLIGHT | 1 | | | | |
| 3 | 5HH-H4524-00 | .TORNILLO DE LENTE .SCREW, LENS FITTING | 2 | | | | |
| 4 | 5HH-H4714-00 | .BOMBILLA (12V-21/5W) .BULB (12V-21/5W) | 1 | | | | |
| 5 | 5HH-H4523-00 | .EMPAQUE DE LENTE .GASKET, LENS | 1 | | | | |
| 6 | 5HH-H4753-00 | .AMORTIGUADOR .DAMPER | 1 | | | | |
| 7 | 5HH-H4736-00 | .AMORTIGUADOR DE COLA .DAMPER, TAIL 1 | 1 | | | | |
| 8 | 90480-14555 | TAPON GROMMET | 2 | | | | |
| 9 | 90387-07391 | ESPACIADOR COLLAR | 2 | | | | |
| 10 | 9530M-06600 | TUERCA NUT | 2 | | | | |

FIG. 37 INTERRUPTOR DE MANILLAR & PALANC

HANDLE SWITCH & LEVER



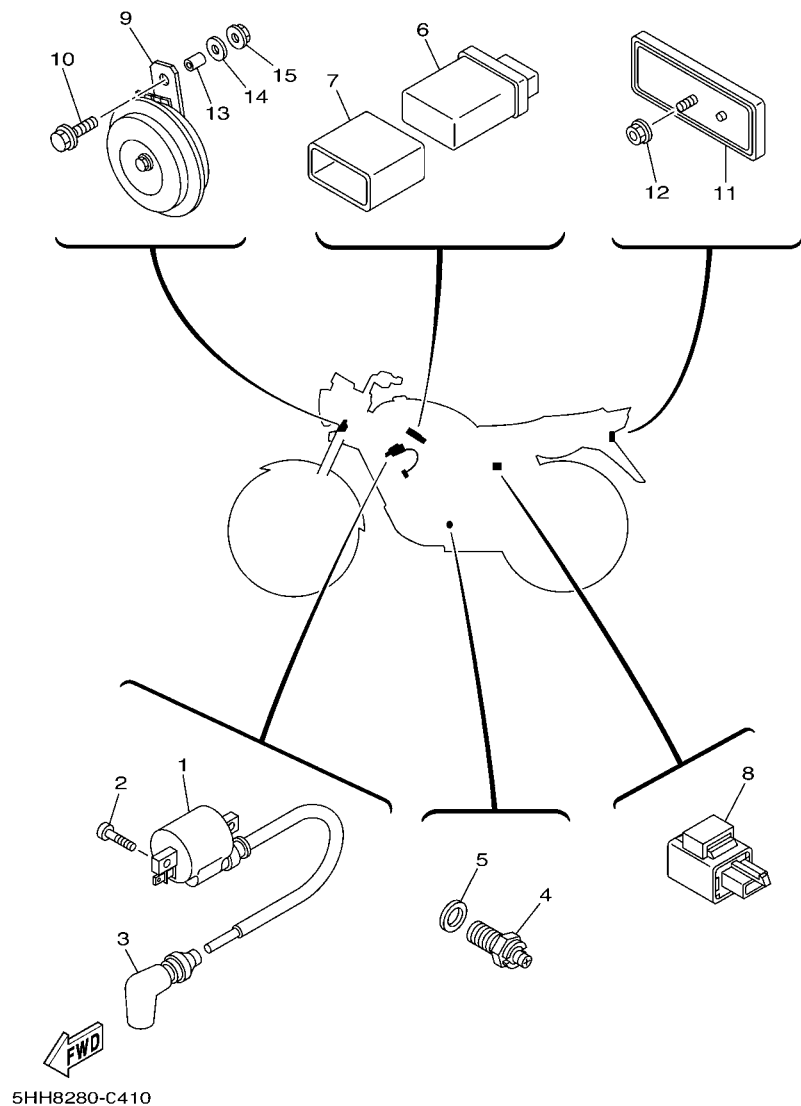
| REF. Nº | CODIGO Nº PART NO. | DESCRIPCION DESCRIPTION | SFRA | | | | OBSERVACIONES REMARKS |
|---------|--------------------|--|------|--|--|--|-----------------------|
| 1 | 5HH-H3969-10 | INTERRUPTOR DE MANIJA 5 SWITCH, HANDLE 5 | 1 | | | | |
| 2 | 98507-05040 | .TORNILLO DE CABEZA PLANA .SCREW, PAN HEAD | 1 | | | | |
| 3 | 98507-05030 | .TORNILLO DE CABEZA PLANA .SCREW, PAN HEAD | 1 | | | | |
| 4 | 5HH-H3975-30 | INTERRUPTOR DE MANIJA 2 SWITCH, HANDLE 2 | 1 | | | | |
| 5 | 9851M-05030 | .TORNILLO DE CABEZA CON PLANA .SCREW, PAN HEAD | 2 | | | | |
| 6 | 5HH-H2911-00 | SOPORTE DE LEVA 1 HOLDER, LEVER 1 | 1 | | | | |
| 7 | 5HH-H3912-00 | PALANCA 1 LEVER 1 | 1 | | | | |
| 8 | 4LR-H3945-00 | PERNO DE PALANCA BOLT, LEVER | 1 | | | | |
| 9 | 90185-06W10 | TUERCA AUTOBLOCANTE NUT, SELF-LOCKING | 1 | | | | |
| 10 | 9702M-06025 | PERNO BOLT | 1 | | | | |
| 11 | 9290M-06100 | ARANDELA WASHER | 1 | | | | |
| 12 | 5HH-H3980-20 | INTERRUP. DE EMBRAGUE SWITCH, CLUTCH ASSY | 1 | | | | |
| 13 | 90464-13077 | BRIDA CLAMP | 4 | | | | |
| | | | | | | | |
| | | | | | | | |
| | | | | | | | |
| | | | | | | | |



5RR8280-E370

FIG. 39 EQUIPO ELECTRICO 2

ELECTRICAL 2



| REF. N° | CODIGO N° PART NO. | DESCRIPCION DESCRIPTION | SFRA | | | | OBSERVACIONES REMARKS |
|---------|--------------------|--|------|--|--|--|-----------------------|
| 1 | 5HH-H2310-00 | BOBINA DE ENCENDIDO COMPLETA IGNITION COIL ASSY | 1 | | | | |
| 2 | 9851M-05016 | TORNILLO DE CABEZA CON PLANA SCREW, PAN HEAD | 2 | | | | |
| 3 | 5HH-H2370-01 | TAPON DE BUJIA COMPLT PLUG CAP ASSY | 1 | | | | |
| 4 | 5HH-H2540-02 | INTERRUPTOR NEUTRAL COMPL NEUTRAL SWITCH ASSY | 1 | | | | |
| 5 | 90430-09809 | JUNTA GASKET | 1 | | | | |
| 6 | 5HH-H5540-20 | UNIDAD C.D.I. COMPLETA C.D.I. UNIT ASSY | 1 | | | | |
| 7 | 5HH-H5546-20 | BANDA BAND | 1 | | | | |
| 8 | 5HH-H3350-00 | RELE DE DESTELLADOR COMPL. FLASHER RELAY ASSY | 1 | | | | |
| 9 | 5HH-H3371-00 | BOCINA HORN | 1 | | | | |
| 10 | 9580M-06020 | TORNILLO BOLT, FLANGE | 1 | | | | |
| 11 | 23L-H5130-00 | REFLECTOR TRASERO COMPLETO REAR REFLECTOR ASSY | 1 | | | | |
| 12 | 9570M-06500 | TUERCA DE BRIDA NUT, FLANGE | 1 | | | | |
| 13 | 90387-067K6 | ESPACIADOR COLLAR | 1 | | | | |
| 14 | 90201-06380 | ARANDELA PLANA WASHER, PLATE | 1 | | | | |
| 15 | 9570M-06500 | TUERCA DE BRIDA NUT, FLANGE | 1 | | | | |

INDICE NUMERICO
NUMERICAL INDEX

| CODIGO Nº PART NO. | REF. Nº | CODIGO Nº PART NO. | REF. Nº | CODIGO Nº PART NO. | REF. Nº | CODIGO Nº PART NO. | REF. Nº | CODIGO Nº PART NO. | REF. Nº | CODIGO Nº PART NO. | REF. Nº |
|-----------------------|------------|-----------------------|------------|-----------------------|------------|-----------------------|------------|-----------------------|------------|-----------------------|------------|
| 2UJ-11133-10 | 1 - 2 | 5RE-16111-00 | 13 - 1 | 5VL-E3325-00 | 5 - 2 | 5RM-E6337-00 | 13 - 12 | 5HH-F137X-20-P4 | 23 - 23 | 5HH-F3106-30 | 22 - 2 |
| 22F-11134-10 | 1 - 3 | 5AP-17131-00 | 14 - 4 | 5HH-E3329-00 | 5 - 6 | 5RM-E6351-00 | 13 - 10 | 5HH-F1511-00-33 | 18 - 1 | 5HH-F3107-30 | 22 - 18 |
| 5HH-11549-10 | 2 - 4 | 22F-23411-01 | 21 - 2 | 5HH-E3411-00 | 5 - 10 | 5RM-E6356-00 | 13 - 14 | 5HH-F1511-00-P1 | 18 - 1 | 5HH-F3110-10 | 22 - 6 |
| 5RM-11607-00 | 2 - 14 | 156-23412-00 | 21 - 1 | 5VL-E3451-00 | 5 - 12 | 5HH-E6357-00 | 13 - 20 | 5HH-F1511-00-P7 | 18 - 1 | | 22 - 22 |
| 4LS-11638-01 | 2 - 12 | 22F-23412-01 | 21 - 3 | 5HH-E3569-00 | 6 - 2 | 5RM-E6358-00 | 13 - 13 | 5HH-F1511-00-P9 | 18 - 1 | 5VL-F3111-00 | 22 - 14 |
| 4LS-11651-02 | 2 - 10 | 3HT-25398-00 | 25 - 16 | 5HH-E3586-00 | 6 - 1 | 5RM-E6371-00 | 13 - 7 | 5HH-F1513-00 | 18 - 14 | | 22 - 30 |
| 4LS-11681-01 | 2 - 8 | | 27 - 47 | 5RR-E4101-00 | 7 - 1 | 5RM-E6377-00 | 13 - 16 | 5HH-F1518-01 | 18 - 3 | 5HH-F3118-10 | 22 - 13 |
| 5HH-12113-00 | 3 - 5 | 5HH-25921-00 | 26 - 11 | 5HH-E4411-00 | 6 - 7 | 5HH-E6381-10 | 13 - 21 | 5LX-F153E-00 | 23 - 32 | | 22 - 29 |
| 22F-12116-00 | 3 - 4 | 5HH-81940-02 | 38 - 10 | 5HH-E4412-00 | 6 - 8 | 5RM-E6628-00 | 13 - 15 | | 24 - 20 | 5VL-F3141-00 | 22 - 11 |
| 22F-12117-02 | 3 - 7 | 12R-81950-01 | 38 - 9 | 5HH-E4415-00 | 6 - 20 | 5HH-E7121-20 | 14 - 3 | 5LX-F153E-10 | 23 - 32 | | 22 - 27 |
| 22F-12118-01 | 3 - 6 | 42X-82151-00 | 38 - 11 | 5HH-E4437-00 | 6 - 13 | 5HH-E7141-20 | 14 - 5 | | 24 - 20 | 4GU-F3144-00 | 22 - 5 |
| 2HX-12119-00 | 3 - 3 | 5HH-82530-00 | 38 - 17 | 5HH-E443E-01 | 6 - 17 | 5HH-E7151-20 | 14 - 2 | 5LX-F153E-20 | 23 - 32 | | 22 - 21 |
| 22F-12159-00 | 3 - 9 | 4NK-8357E-00 | 34 - 10 | 5HH-E4450-00 | 6 - 9 | 5HH-E7211-20 | 14 - 19 | | 24 - 20 | 4GU-F3145-00 | 22 - 3 |
| 5VL-12210-10 | 4 - 16 | 5RR-E1111-10 | 1 - 1 | 5HH-E4451-00 | 6 - 10 | 5HH-E7221-20 | 14 - 14 | 5HH-F1541-00 | 18 - 17 | | 22 - 19 |
| 5HH-14103-00 | 7 - 8 | 5HH-E111F-00 | 4 - 6 | 5HH-E4452-00 | 6 - 14 | 5LX-E7231-10 | 14 - 15 | 5HH-F1611-00 | 18 - 4 | 5AP-F3147-00 | 22 - 15 |
| 5DG-14106-00 | 7 - 4 | 5HH-E1161-00 | 1 - 8 | 5HH-E4453-00 | 6 - 12 | 5HH-E7241-00 | 14 - 18 | 5HH-F1621-00 | 18 - 13 | | 22 - 31 |
| 5HH-14107-18 | 7 - 21 | 5HH-E1166-00 | 9 - 3 | 5HH-E4459-00 | 6 - 21 | 5HH-E7251-20 | 14 - 13 | 5HH-F1685-00 | 18 - 8 | 5AP-F3153-00 | 22 - 4 |
| 5HH-1410A-00 | 7 - 7 | 5HH-E1167-00 | 9 - 2 | 5HH-E4461-00 | 6 - 11 | 5LX-E7258-00 | 14 - 20 | 5VL-F1708-00 | 19 - 5 | | 22 - 20 |
| 5HH-14112-25 | 7 - 6 | 5HH-E1181-00 | 1 - 16 | 5HH-E4462-00 | 6 - 15 | 5HH-E7402-30 | 14 - 12 | 5HH-F1711-00-OY | 19 - 1 | 5AP-F3166-00 | 22 - 8 |
| 4LS-14126-00 | 7 - 5 | 5VL-E1185-10 | 1 - 7 | 5HH-E4462-10 | 6 - 19 | 5HH-E7411-10 | 14 - 1 | 5HH-F1711-00-1X | 19 - 1 | | 22 - 24 |
| 3SP-14128-00 | 7 - 33 | 5HH-E1186-00 | 1 - 11 | 5HH-E4613-00 | 8 - 8 | 4AN-E7456-00 | 14 - 27 | 5HH-F1711-00-2Y | 19 - 1 | 5VL-F3168-00 | 22 - 16 |
| 4LS-14131-00 | 7 - 3 | 5HH-E1310-10-35 | 1 - 19 | 5HH-E4628-00 | 8 - 3 | 5HH-E7471-00 | 14 - 10 | 5HH-F1711-00-7X | 19 - 1 | | 22 - 32 |
| 5K7-14134-00 | 7 - 13 | 5HH-E1351-00 | 1 - 20 | 5HH-E4703-11 | 8 - 1 | 5HH-E8101-01 | 16 - 7 | 5HH-F1721-00-OY | 19 - 2 | 5VL-F3170-00 | 22 - 7 |
| 21V-14141-28 | 7 - 15 | 5HH-E1400-20 | 2 - 1 | 5HH-E4758-00 | 8 - 2 | 5VL-E8110-00 | 16 - 9 | 5HH-F1721-00-1X | 19 - 2 | | 22 - 23 |
| 4KM-14142-15 | 7 - 16 | 5HH-E1412-20 | 2 - 3 | 5HH-E5150-40 | 9 - 1 | 1KL-E8113-00 | 16 - 10 | 5HH-F1721-00-2Y | 19 - 2 | 5HH-F3174-11 | 21 - 15 |
| 5HH-14145-00 | 7 - 17 | 5HH-E1422-10 | 2 - 6 | 5HH-E5191-00 | 10 - 10 | 5HH-E8140-00 | 16 - 1 | 5HH-F1721-00-7X | 19 - 2 | 5HH-F317J-00 | 21 - 17 |
| 3H1-14147-00 | 7 - 10 | 5HH-E1500-02 | 2 - 16 | 5HH-E5362-00 | 10 - 20 | 5HH-E8185-00 | 15 - 2 | 5LX-F173E-70 | 19 - 16 | 5HH-F3340-10 | 22 - 33 |
| 4LS-14147-00 | 7 - 29 | 5HH-E1536-00 | 2 - 7 | 5HH-E5411-01 | 10 - 1 | 5HH-E8337-00 | 16 - 2 | 5LX-F173E-80 | 19 - 16 | 5LK-F3356-00 | 22 - 10 |
| 4LS-14158-00 | 7 - 37 | 5RM-E1603-00 | 2 - 14 | 5HH-E5418-00 | 10 - 12 | 5HH-E8511-00 | 15 - 5 | 5LX-F173E-90 | 19 - 16 | | 22 - 26 |
| 3SP-14179-00 | 7 - 31 | 5RM-E1604-00 | 2 - 14 | 5LX-E5421-00 | 10 - 14 | 5HH-E8512-00 | 15 - 6 | 5LX-F173E-A0 | 19 - 16 | 5HH-F3389-01 | 21 - 18 |
| 24W-14184-00 | 7 - 14 | 5RM-E1605-00 | 2 - 14 | 5HH-E5441-00 | 9 - 11 | 5HH-E8513-00 | 15 - 7 | 5LX-F173F-70 | 19 - 17 | 5HH-F3395-00 | 21 - 20 |
| 5HH-14185-00 | 7 - 20 | 5RM-E1606-00 | 2 - 14 | 5HH-E5451-00 | 10 - 2 | 5HH-E8531-00 | 15 - 8 | 5LX-F173F-80 | 19 - 17 | 5HH-F3411-00 | 22 - 34 |
| 127-14186-00 | 7 - 22 | 5HH-E1631-00-AO | 2 - 12 | 5HH-E5461-00 | 10 - 15 | 5HH-E8535-00 | 15 - 9 | 5LX-F173F-90 | 19 - 17 | 23L-F3416-00 | 21 - 6 |
| 4LS-14191-00 | 7 - 9 | 5HH-E1633-00 | 2 - 13 | 5VL-E5512-00 | 12 - 1 | 5HH-E8540-00 | 15 - 1 | 5LX-F173F-A0 | 19 - 17 | 5HH-F3418-00 | 21 - 8 |
| 3SP-14194-00 | 7 - 32 | 5HH-E1635-09 | 2 - 12 | 5VL-E5517-00 | 12 - 5 | 5HH-F1110-90-33 | 17 - 1 | 5HH-F1746-00 | 19 - 12 | 4VW-F341E-00 | 21 - 4 |
| 2AL-14196-00 | 7 - 28 | 5HH-E1636-09 | 2 - 12 | 5HH-E5521-00 | 12 - 2 | 5LX-F1308-00 | 17 - 17 | 5HH-F1778-00 | 19 - 4 | 5HH-F341E-00 | 21 - 5 |
| 4LS-14197-10 | 7 - 23 | 5HH-E1637-09 | 2 - 12 | 5HH-E5532-00 | 12 - 3 | 5HH-F1316-00-33 | 17 - 2 | | 23 - 27 | 5AP-F3427-00 | 22 - 12 |
| 3SP-14216-00 | 7 - 36 | 5HH-E2111-00 | 3 - 1 | 4FP-E5580-00 | 12 - 7 | 5HH-F1317-00-33 | 17 - 7 | 5HH-F177G-00 | 19 - 11 | | 22 - 28 |
| 620-1423A-70 | 7 - 18 | 5HH-E2121-00 | 3 - 2 | 5HH-E5598-00 | 4 - 14 | 5HH-F1318-00-33 | 17 - 8 | 5HH-F2110-10-33 | 20 - 1 | 5HH-F3435-10-33 | 21 - 10 |
| 3SP-14264-00 | 7 - 35 | 5HH-E2151-00 | 3 - 8 | 47V-E5618-00 | 11 - 12 | 5HH-F137U-20 | 23 - 22 | 5HH-F2123-00 | 20 - 3 | 3V9-F3441-00-33 | 21 - 13 |
| 5HH-14276-00 | 7 - 30 | 5VL-E2156-00 | 3 - 11 | 5VL-E5620-00 | 11 - 11 | 5HH-F137V-20 | 23 - 24 | 5L9-F2127-00 | 20 - 6 | 4TU-F3479-00 | 22 - 9 |
| 583-14561-00 | 7 - 19 | 5HH-E2170-20 | 4 - 1 | 5LX-E5666-00 | 11 - 7 | 5HH-F137W-20-33 | 23 - 21 | 5HH-F2128-00 | 20 - 4 | | 22 - 25 |
| 5HH-1490J-00 | 7 - 2 | 5VL-E2176-10 | 4 - 8 | 5LX-E5671-00 | 11 - 5 | 5HH-F137W-20-P0 | 23 - 21 | 5VL-F2141-00 | 20 - 7 | 5LX-F4100-80 | 23 - 1 |
| 5AP-14923-00 | 7 - 12 | 5HH-E2213-00 | 4 - 17 | 5RM-E6150-10 | 13 - 5 | 5HH-F137W-20-P1 | 23 - 21 | 5HH-F2151-00 | 20 - 9 | 5LX-F4100-90 | 23 - 1 |
| 3H1-14962-00 | 7 - 11 | 5HH-E2231-10 | 4 - 12 | 5RM-E6154-00 | 13 - 6 | 5HH-F137W-20-P4 | 23 - 21 | 5HH-F2210-10 | 20 - 13 | 5LX-F4100-A0 | 23 - 1 |
| 5LX-15641-00 | 11 - 2 | 5HH-E2241-10 | 4 - 13 | 5HH-E6321-00 | 13 - 8 | 5HH-F137X-20-33 | 23 - 23 | 5HH-F2311-10 | 20 - 10 | 5LX-F4100-B0 | 23 - 1 |
| 5LX-15651-00 | 11 - 8 | 5VL-E3300-00 | 5 - 1 | 5RM-E6324-00 | 13 - 9 | 5HH-F137X-20-P0 | 23 - 23 | 5HH-F3102-30 | 22 - 1 | 5HH-F4181-00 | 23 - 4 |
| 5LX-15660-00 | 11 - 1 | 5VL-E3324-00 | 5 - 11 | 5RM-E6333-00 | 13 - 11 | 5HH-F137X-20-P1 | 23 - 23 | 5HH-F3103-30 | 22 - 17 | 5HH-F4182-00 | 23 - 6 |

INDICE NUMERICO
NUMERICAL INDEX

| CODIGO Nº PART NO. | REF. Nº | CODIGO Nº PART NO. | REF. Nº | CODIGO Nº PART NO. | REF. Nº | CODIGO Nº PART NO. | REF. Nº | CODIGO Nº PART NO. | REF. Nº | CODIGO Nº PART NO. | REF. Nº |
|-----------------------|------------|-----------------------|------------|-----------------------|------------|-----------------------|------------|-----------------------|------------|-----------------------|------------|
| 5HH-F4183-00 | 23 - 5 | 5HH-F5197-01 | 25 - 10 | 5HH-F6335-10 | 28 - 8 | 42K-H3311-00 | 33 - 11 | 5HH-H4524-00 | 36 - 3 | 90157-02031 | 34 - 11 |
| 5HH-F4216-10 | 23 - 28 | 5HH-F5311-00-35 | 27 - 1 | 5HH-F6372-00 | 28 - 9 | 5RM-H3312-00 | 33 - 3 | 5HH-H4710-00 | 36 - 1 | 90157-03122 | 23 - 15 |
| 5LX-F4235-00 | 23 - 3 | 5HH-F5321-02-35 | 27 - 8 | 5HH-F7111-10 | 30 - 1 | | 33 - 6 | 5HH-H4714-00 | 36 - 4 | 90159-03102 | 34 - 14 |
| 5LX-F4240-80 | 23 - 2 | 5HH-F5330-00 | 27 - 9 | 5VL-F7112-10 | 30 - 3 | | 33 - 9 | 5HH-H4736-00 | 36 - 7 | 90170-05302 | 3 - 10 |
| 5LX-F4240-90 | 23 - 2 | 5HH-F533A-00 | 27 - 15 | 5HH-F7115-00 | 30 - 4 | | 33 - 12 | 5HH-H4753-00 | 36 - 6 | 90170-12060 | 13 - 18 |
| 5LX-F4240-A0 | 23 - 2 | 5HH-F5351-01 | 27 - 11 | 5VL-F7211-00 | 30 - 6 | 5HH-H3316-00 | 33 - 14 | 23L-H5130-00 | 39 - 11 | 90170-22187 | 19 - 6 |
| 5LX-F4240-B0 | 23 - 2 | 5HH-F5355-01 | 27 - 12 | 5HH-F7231-01 | 30 - 8 | 5RM-H3320-00 | 33 - 4 | 5HH-H5540-20 | 39 - 6 | 90176-10W03 | 20 - 15 |
| 5HH-F4311-00 | 23 - 19 | 5HH-F5364-00 | 27 - 5 | 5HH-F7311-20 | 30 - 18 | | 33 - 10 | 5HH-H5546-20 | 39 - 7 | 90176-22W04 | 21 - 12 |
| 5HH-F4481-00 | 24 - 15 | 23L-F5366-00 | 27 - 16 | 5HH-F7411-20 | 30 - 14 | 5HH-H3321-01 | 33 - 13 | 5HH-H5750-00 | 34 - 3 | 90179-06W21 | 30 - 13 |
| 5HH-F4500-00 | 23 - 9 | 5HH-F536G-00 | 26 - 14 | 5HH-F7413-10 | 30 - 16 | 5HH-H3350-00 | 39 - 8 | 5HH-H5752-20 | 38 - 20 | 90179-08148 | 28 - 13 |
| 5HH-F4512-00 | 23 - 12 | 3V9-F5371-01 | 27 - 32 | 5HH-F7414-00 | 30 - 38 | 5HH-H3359-02 | 33 - 15 | 5HH-H5753-10 | 38 - 21 | 90179-08639 | 27 - 24 |
| 5HH-F4523-00 | 23 - 13 | 5HH-F5377-00 | 27 - 41 | 5HH-F7431-00 | 30 - 29 | 5HH-H3371-00 | 39 - 9 | 2B8-H5757-00 | 38 - 22 | 90179-12813 | 11 - 13 |
| 1YH-F4524-00 | 23 - 14 | 5VL-F5381-00 | 27 - 38 | 5HH-F7433-00 | 30 - 30 | 5HH-H3500-40 | 34 - 1 | 5HH-W0041-00 | 29 - 2 | | 13 - 4 |
| 5HH-F4534-00 | 23 - 10 | 5HH-F5386-00 | 27 - 40 | 5HH-F7441-00 | 30 - 32 | 5HH-H3509-02 | 34 - 7 | 5HH-W0045-10 | 26 - 7 | 90179-25W22 | 21 - 7 |
| 5VL-F4602-00 | 23 - 18 | 5HH-F5387-00 | 27 - 20 | 5HH-F7444-00 | 30 - 33 | 5HH-H3513-10 | 34 - 18 | 5RM-W0047-00 | 26 - 6 | 90185-06W10 | 34 - 22 |
| 5HH-F471A-00 | 24 - 18 | 5HH-F5388-00 | 27 - 42 | 5HH-F7445-01 | 30 - 31 | 5HH-H3517-10 | 34 - 8 | 5HH-W0048-00 | 26 - 8 | | 37 - 9 |
| 5HH-F471K-00-33 | 24 - 7 | 5HH-F5396-10 | 27 - 26 | | 30 - 34 | 5HH-H3517-20 | 34 - 9 | 5RM-W0057-00 | 26 - 5 | 90185-10060 | 30 - 22 |
| 5HH-F471K-00-P1 | 24 - 7 | 5HH-F5397-10 | 27 - 27 | 5HH-F7452-01 | 30 - 25 | 5HH-H3519-10 | 34 - 17 | 5HH-WE141-20 | 2 - 2 | 90201-04W00 | 18 - 16 |
| 5HH-F471K-00-P7 | 24 - 7 | 23L-F5412-00 | 27 - 23 | 5HH-F7462-01 | 30 - 26 | 5HH-H353E-00 | 34 - 4 | 90101-06W00 | 27 - 13 | 90201-052E2 | 21 - 22 |
| 5HH-F471K-00-P9 | 24 - 7 | 3V9-F5412-00 | 26 - 3 | 5VL-F8100-00 | 17 - 15 | 5HH-H3550-11 | 34 - 24 | 90101-08W09 | 27 - 44 | 90201-06380 | 39 - 14 |
| 5HH-F472K-00-33 | 24 - 8 | 5HH-F5445-00 | 27 - 21 | 5HH-F811G-00 | 17 - 16 | 5HH-H3559-10 | 34 - 16 | 90101-08W10 | 4 - 10 | 90201-06804 | 6 - 25 |
| 5HH-F472K-00-P1 | 24 - 8 | 5HH-F580U-00 | 26 - 4 | 5RR-F8199-S0 | 17 - 19 | 5HH-H3566-00 | 34 - 19 | 90101-10812 | 30 - 21 | | 18 - 7 |
| 5HH-F472K-00-P7 | 24 - 8 | 5HH-F582U-00 | 26 - 1 | 5HH-H1410-10 | 31 - 2 | 5HH-H3570-00 | 34 - 2 | 90105-05832 | 38 - 23 | | 18 - 11 |
| 5HH-F472K-00-P9 | 24 - 8 | 5HH-F583T-10 | 29 - 1 | 5HH-H1450-30 | 31 - 1 | 5HH-H3572-00 | 34 - 5 | 90105-08006 | 17 - 13 | | 19 - 10 |
| 5HH-F4730-00 | 24 - 1 | 3V9-F5846-01 | 25 - 8 | 5HH-H1800-00 | 32 - 1 | 5HH-H3578-00 | 34 - 6 | 90105-08007 | 17 - 12 | | 19 - 15 |
| 5HH-F4731-00 | 24 - 2 | 5HH-F5852-00 | 29 - 5 | 4FP-H1801-00 | 32 - 2 | 5HH-H3912-00 | 37 - 7 | 90105-08724 | 1 - 13 | | 20 - 12 |
| 4AN-F4741-10 | 30 - 2 | 5HH-F5854-00 | 29 - 4 | 4FP-H1828-01 | 32 - 4 | 5HH-H3922-20 | 29 - 9 | 90105-08802 | 17 - 9 | | 24 - 6 |
| | | 5HH-F5867-00 | 29 - 7 | 4FP-H182L-00 | 32 - 6 | 4LR-H3945-00 | 37 - 8 | 90105-08803 | 17 - 10 | | 24 - 12 |
| 5HH-F4756-00-33 | 24 - 9 | 5HH-F5868-00 | 29 - 3 | 5VL-H183G-00 | 32 - 3 | 5HH-H3969-10 | 37 - 1 | 90105-08841 | 24 - 16 | 90201-07641 | 5 - 4 |
| 5HH-F4756-00-P1 | 24 - 9 | 5HH-F5872-20 | 29 - 14 | 5HH-H1960-00 | 38 - 6 | 5HH-H3975-30 | 37 - 4 | 90105-088A6 | 17 - 4 | 90201-08326 | 4 - 9 |
| 5HH-F4756-00-P7 | 24 - 9 | 5HH-F5875-01 | 29 - 19 | 5LX-H2021-00 | 38 - 13 | 5HH-H3980-10 | 29 - 12 | 90105-10638 | 26 - 17 | 90201-08569 | 23 - 7 |
| 5HH-F4756-00-P9 | 24 - 9 | 5HH-F5876-00 | 29 - 20 | 5HH-H2109-10 | 30 - 15 | 5HH-H3980-20 | 37 - 12 | 90105-10W16 | 22 - 35 | 90201-08609 | 1 - 14 |
| 5HH-F4773-00 | 24 - 14 | 5HH-F5886-00 | 29 - 18 | 42K-H2110-10 | 38 - 1 | 5HH-H4115-10 | 35 - 4 | 90109-063F7 | 16 - 3 | 90201-106F2 | 20 - 14 |
| 5LX-F477V-40 | 24 - 19 | 5HH-F5887-00 | 29 - 17 | 5HH-H2115-00 | 38 - 4 | 5HH-H411R-10 | 35 - 3 | 90109-06577 | 29 - 10 | 90201-10829 | 30 - 24 |
| 5LX-F477V-50 | 24 - 19 | 5HH-F5917-00 | 26 - 16 | 5HH-H2116-00 | 38 - 5 | 5HH-H4128-00 | 35 - 14 | 90109-06W35 | 9 - 7 | 90201-10886 | 29 - 16 |
| 5LX-F477V-60 | 24 - 19 | 5HH-F5924-00 | 26 - 10 | 4VW-H2131-00 | 38 - 3 | 5HH-H4145-00 | 35 - 12 | 90109-06W36 | 9 - 8 | 90201-122H1 | 2 - 18 |
| 5LX-F477V-70 | 24 - 19 | 5HH-F5926-00 | 26 - 13 | 5HH-H2310-00 | 39 - 1 | 5HH-H4163-01 | 35 - 11 | 90109-06W37 | 9 - 9 | | 13 - 3 |
| 5HH-F4796-00 | 24 - 17 | 5HH-F5934-00 | 26 - 9 | 5HH-H2370-01 | 39 - 3 | 5HH-H4164-01 | 35 - 13 | 90109-06W38 | 10 - 23 | 90201-177G4 | 11 - 9 |
| 5HH-F5111-10-35 | 25 - 1 | 5HH-F5937-00 | 26 - 12 | 5LX-H2508-00 | 38 - 14 | 5HH-H4310-10 | 35 - 1 | 90109-08367 | 26 - 2 | | 14 - 21 |
| 5HH-F5118-10 | 25 - 24 | 5HH-F5961-00 | 26 - 15 | 5HH-H2509-00 | 38 - 24 | 5HH-H4311-00 | 35 - 10 | 90109-08801 | 27 - 33 | 90201-20266 | 14 - 6 |
| 3V9-F5135-00 | 25 - 20 | 5HH-F6111-10 | 28 - 1 | 5HH-H2540-02 | 39 - 4 | 4AN-H4314-00 | 35 - 5 | 90109-08804 | 27 - 34 | 90201-20272 | 14 - 22 |
| 3V9-F5137-00 | 25 - 18 | 5HH-F6241-00 | 28 - 5 | 5HH-H2590-20 | 38 - 18 | 5HH-H4320-10 | 35 - 2 | 90109-08864 | 27 - 22 | 90201-202L3 | 11 - 4 |
| 3V9-F5149-01 | 25 - 7 | 5HH-F6242-00 | 28 - 2 | 5HH-H2911-00 | 37 - 6 | 5HH-H4325-10 | 35 - 7 | 90110-06W02 | 1 - 18 | 90201-225A4 | 19 - 8 |
| 5VL-F5181-10 | 25 - 3 | 5HH-F6243-00 | 28 - 3 | 5RM-H3310-00 | 33 - 1 | 5HH-H4331-10 | 35 - 8 | 90123-08046 | 28 - 10 | 90201-25286 | 25 - 19 |
| 3V9-F5190-10 | 25 - 17 | 5HH-F6280-00 | 28 - 11 | | 33 - 7 | 5HH-H4332-10 | 35 - 9 | 90149-06W03 | 15 - 4 | 90201-25290 | 12 - 6 |
| 5HH-F5195-01 | 25 - 9 | 5HH-F6290-00 | 28 - 12 | 42K-H3311-00 | 33 - 2 | 5HH-H4375-10 | 35 - 6 | 90149-06W04 | 8 - 4 | 90201-25490 | 25 - 21 |
| 5HH-F5195-10 | 27 - 25 | 5HH-F6311-11 | 28 - 6 | | 33 - 5 | 5HH-H4521-00 | 36 - 2 | 90153-06803 | 1 - 5 | 90201-261L1 | 28 - 4 |
| 5HH-F5196-01 | 25 - 11 | 5HH-F6332-00 | 29 - 8 | | 33 - 8 | 5HH-H4523-00 | 36 - 5 | 90155-06800 | 5 - 7 | 90202-06W00 | 8 - 7 |

INDICE NUMERICO
NUMERICAL INDEX

| CODIGO N° PART NO. | REF. N° | CODIGO N° PART NO. | REF. N° | CODIGO N° PART NO. | REF. N° | CODIGO N° PART NO. | REF. N° | CODIGO N° PART NO. | REF. N° | CODIGO N° PART NO. | REF. N° |
|-----------------------|------------|-----------------------|------------|-----------------------|------------|-----------------------|------------|-----------------------|------------|-----------------------|------------|
| 90202-06W01 | 8 - 6 | 90480-14817 | 21 - 23 | 93109-20014 | 11 - 14 | 9502L-08025 | 35 - 16 | 9702M-06025 | 37 - 10 | | |
| | 23 - 17 | 90480-24186 | 19 - 7 | 93210-064A5 | 25 - 22 | 9502M-06008 | 38 - 12 | 97601-04312 | 29 - 13 | | |
| 90202-09800 | 23 - 31 | 90501-10801 | 30 - 11 | 93210-108B1 | 4 - 3 | 9502M-06010 | 14 - 28 | 97672-40310 | 34 - 13 | | |
| 90202-26142 | 21 - 9 | 90506-15260 | 27 - 10 | 93210-11001 | 2 - 17 | 9502M-06016 | 4 - 18 | 97702-30014 | 34 - 15 | | |
| 90206-06889 | 8 - 5 | 90506-29800 | 30 - 19 | 93210-14800 | 10 - 7 | | 29 - 21 | 97707-40014 | 34 - 12 | | |
| 90208-07052 | 5 - 5 | 90506-32800 | 30 - 5 | 93210-19800 | 10 - 21 | 9502M-06020 | 1 - 10 | | 34 - 21 | | |
| 90214-19002 | 14 - 16 | 90508-16802 | 13 - 22 | 93210-30800 | 6 - 4 | 9502M-06025 | 32 - 9 | 9770M-40114 | 23 - 25 | | |
| 90215-12211 | 13 - 17 | 90508-26667 | 11 - 6 | 93210-32800 | 10 - 9 | 9502M-06035 | 10 - 4 | 9770M-50012 | 24 - 10 | | |
| 90249-06220 | 30 - 35 | 90508-32W15 | 16 - 5 | 93210-42W01 | 27 - 6 | | 10 - 18 | 98507-03006 | 7 - 24 | | |
| 90249-12800 | 30 - 12 | 90508-40801 | 30 - 7 | 93210-44800 | 1 - 12 | 9502M-06045 | 10 - 5 | 98507-04014 | 7 - 26 | | |
| 90267-40811 | 6 - 22 | 90560-15293 | 25 - 2 | 93210-55669 | 32 - 5 | | 10 - 19 | 98507-05008 | 32 - 7 | | |
| 90267-48W03 | 18 - 15 | 90560-15800 | 27 - 2 | 93210-57800 | 1 - 21 | 9502M-08035 | 21 - 14 | 98507-05030 | 37 - 3 | | |
| 90280-03045 | 2 - 20 | 9131M-06012 | 4 - 7 | 93210-79200 | 1 - 9 | 9502M-08040 | 21 - 11 | 98507-05040 | 37 - 2 | | |
| 90282-05001 | 13 - 2 | 9131M-06014 | 31 - 4 | 93306-002Y5 | 4 - 5 | 95302-60600 | 34 - 20 | 9850L-03008 | 23 - 11 | | |
| 90340-12097 | 5 - 8 | 9131M-06016 | 38 - 15 | 93306-003X0 | 4 - 2 | 95307-08800 | 35 - 18 | 9851M-05012 | 35 - 15 | | |
| 90340-14W02 | 10 - 6 | 9131M-06020 | 6 - 5 | 93306-054Y4 | 27 - 18 | 9530M-06600 | 27 - 14 | 9851M-05016 | 21 - 21 | | |
| 90340-32W03 | 10 - 8 | | 8 - 9 | 93306-201X3 | 14 - 8 | | 36 - 10 | | 28 - 7 | | |
| 90381-18800 | 20 - 2 | | 31 - 3 | 93306-20204 | 27 - 7 | 9531M-08600 | 27 - 35 | | 39 - 2 | | |
| 90387-067K6 | 39 - 13 | 9131M-08016 | 12 - 8 | 93306-20205 | 25 - 4 | | 27 - 43 | 9851M-05030 | 37 - 5 | | |
| 90387-06W56 | 23 - 30 | 91380-06035 | 10 - 17 | | 27 - 3 | 95604-12200 | 20 - 8 | 9851M-06010 | 10 - 11 | | |
| 90387-07391 | 36 - 9 | 91401-20012 | 27 - 36 | 93306-203XD | 14 - 25 | 95607-14200 | 25 - 23 | 9851M-06012 | 12 - 4 | | |
| 90387-10003 | 30 - 23 | | 30 - 9 | 93306-203YG | 14 - 9 | | 27 - 39 | | 20 - 11 | | |
| 90387-151M3 | 25 - 25 | 92907-03100 | 7 - 25 | 93306-204X8 | 14 - 23 | 9560M-06100 | 29 - 11 | | 38 - 7 | | |
| 90387-16804 | 4 - 4 | 92907-04100 | 7 - 27 | 93306-205YW | 2 - 21 | 9570M-06500 | 39 - 12 | 9851M-06014 | 14 - 11 | | |
| 90401-10816 | 29 - 15 | 92907-05100 | 32 - 8 | 93306-205YX | 2 - 5 | | 39 - 15 | 9851M-06016 | 23 - 29 | | |
| 90430-06817 | 1 - 6 | 92907-08100 | 7 - 34 | 93306-252YA | 2 - 15 | 9570M-08500 | 17 - 6 | | 24 - 11 | | |
| | 4 - 19 | 9290M-06100 | 18 - 6 | 93310-6290C | 2 - 9 | | 17 - 11 | 9851M-06025 | 6 - 16 | | |
| 90430-09809 | 39 - 5 | | 18 - 10 | 93410-20809 | 14 - 7 | | 17 - 14 | 9870M-04012 | 29 - 6 | | |
| 90430-12227 | 5 - 9 | | 19 - 14 | 93410-22039 | 14 - 17 | | 33 - 16 | 9870M-06030 | 17 - 18 | | |
| 90445-081A9 | 38 - 2 | | 24 - 5 | 93420-42007 | 27 - 17 | 9570M-10500 | 17 - 5 | 9890M-06016 | 10 - 13 | | |
| 90445-17W10 | 30 - 20 | | 37 - 11 | 93440-10109 | 1 - 4 | 9570M-12500 | 2 - 19 | | 23 - 16 | | |
| 90450-44062 | 6 - 6 | | 38 - 8 | 93450-16068 | 2 - 11 | 9580M-06020 | 4 - 15 | 9890M-06020 | 19 - 9 | | |
| 90460-46206 | 6 - 26 | 9290M-06200 | 30 - 10 | 93503-16802 | 13 - 19 | | 39 - 10 | 99001-05600 | 5 - 3 | | |
| 90462-16800 | 9 - 5 | | 30 - 36 | 93604-10011 | 15 - 3 | 9581M-08020 | 8 - 10 | | 30 - 37 | | |
| 90464-13077 | 37 - 13 | | 34 - 23 | 93608-30839 | 16 - 8 | | 30 - 17 | 99001-10600 | 16 - 6 | | |
| | 38 - 19 | 9290M-06600 | 6 - 23 | 93822-14043 | 14 - 26 | | 30 - 27 | 99009-17400 | 11 - 10 | | |
| 90464-15195 | 33 - 17 | | 38 - 16 | 94127-18887 | 25 - 14 | 9581M-08025 | 30 - 28 | 99009-20500 | 13 - 24 | | |
| 90464-16804 | 18 - 12 | 9290M-08100 | 27 - 37 | 94132-18886 | 27 - 28 | 9581M-10080 | 17 - 3 | 99530-10114 | 1 - 17 | | |
| 90465-13152 | 33 - 18 | 9290M-08200 | 35 - 17 | 94227-18851 | 25 - 12 | 9582M-06012 | 21 - 16 | | 9 - 6 | | |
| 90467-09W06 | 23 - 20 | 93101-10800 | 10 - 22 | | 27 - 29 | | 21 - 19 | | 9 - 10 | | |
| 90467-10819 | 6 - 3 | 93101-12173 | 16 - 4 | 94325-18800 | 25 - 13 | 9582M-06016 | 18 - 2 | | 10 - 3 | | |
| 90467-13858 | 9 - 4 | 93102-12224 | 13 - 23 | | 27 - 30 | 9700M-06016 | 6 - 24 | | 10 - 16 | | |
| 90467-15012 | 6 - 18 | 93102-20143 | 14 - 24 | 94416-18802 | 25 - 15 | | 18 - 5 | | | | |
| 90468-26048 | 11 - 3 | 93104-22W02 | 27 - 4 | 94418-18804 | 27 - 31 | | 18 - 9 | | | | |
| 90480-01868 | 24 - 13 | 93105-45W04 | 25 - 6 | 94560-53118 | 27 - 45 | | 19 - 13 | | | | |
| 90480-13426 | 19 - 3 | 93106-22W01 | 25 - 5 | 94582-18090 | 4 - 11 | | 24 - 4 | | | | |
| | 23 - 26 | 93106-26005 | 27 - 19 | 94661-53001 | 27 - 46 | 9700M-08016 | 23 - 8 | | | | |
| 90480-14555 | 36 - 8 | 93109-18807 | 20 - 5 | 94700-00834 | 1 - 15 | 9702M-06020 | 16 - 11 | | | | |