

1 Earth points

1.1 Overview of earth points

656 - Earth point on right headlight

- Fitting location ⇒ [page 3](#)

43 - Earth point, lower part of right A-pillar

- Fitting location ⇒ [page 3](#)

638 - Earth point on right A-pillar

- Fitting location ⇒ [page 3](#)

637 - Earth point, airbag control unit

- Fitting location ⇒ [page 3](#)

1 - Earth strap, battery - body

- Fitting location ⇒ [page 4](#)

602 - Earth point, in front left footwell

- Fitting location ⇒ [page 4](#)

721 - Earth point 1, for special constructions

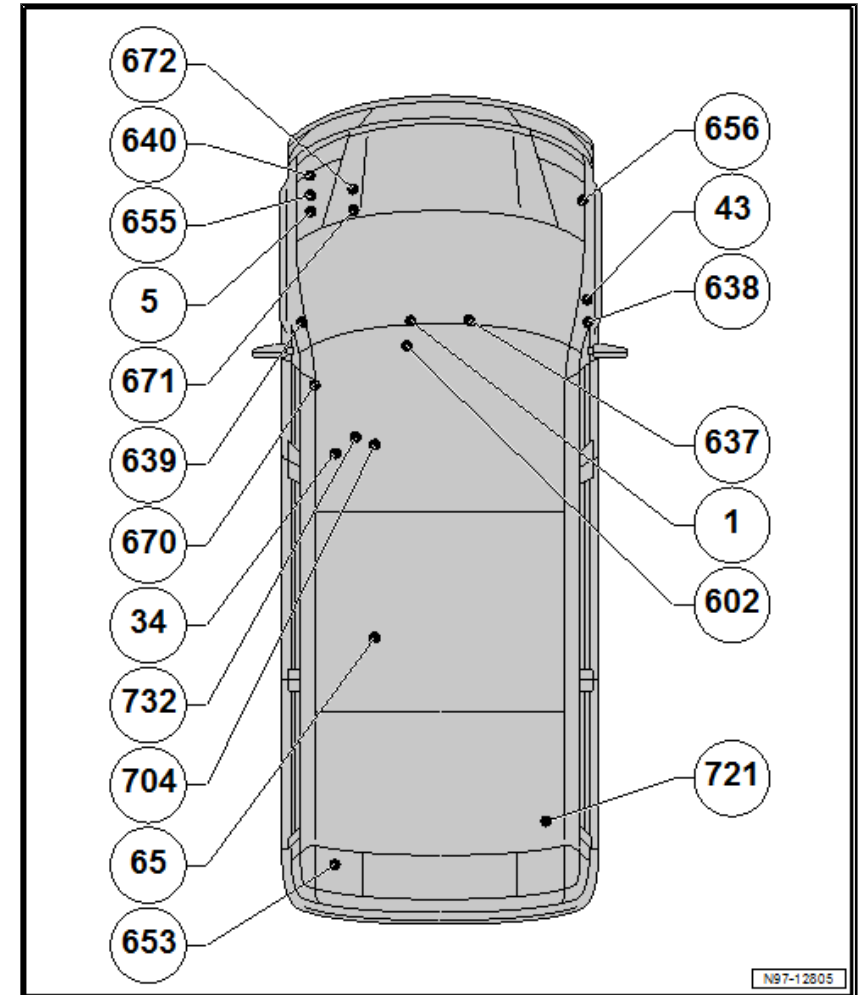
- Fitting location ⇒ [page 4](#)

653 - Earth point, on left D-pillar

- Fitting location ⇒ [page 4](#)

65 - Earth point, on rear of left longitudinal member

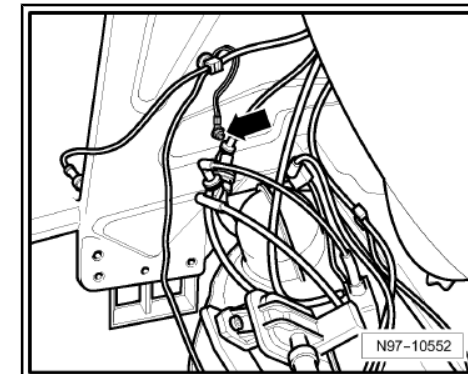
- Fitting location panel van / kombi ⇒ [page 5](#)
- Fitting location platform/double cab ⇒ [page 5](#)



- 704 -
Earth point 2 under driver seat
- Fitting location to April 2008 ⇒ [page 5](#)
 - Fitting location from May 2008 ⇒ [page 6](#)
- 34 -
Earth point under driver seat
- Fitting location to April 2008 ⇒ [page 6](#)
 - Fitting location from May 2008 ⇒ [page 6](#)
- 732 -
Earth point 3 under driver seat
- Fitting location from May 2008 ⇒ [page 6](#)
- 670 -
Earth point 2, on left A-pillar
- Fitting location ⇒ [page 6](#)
- 639 -
Earth point on left A-pillar
- Fitting location ⇒ [page 6](#)
- 671 -
Earth point 1 on front of left longitudinal member
- Fitting location ⇒ [page 7](#)
- 5 -
Earth strap, second battery - body
- Fitting location ⇒ [page 7](#)
- 655 -
Earth point on left headlight
- Fitting location ⇒ [page 7](#)
- 640 -
Earth point 2 in engine compart., left
- Fitting location ⇒ [page 8](#)
- 672 -
Earth point 2 on front of left longitudinal member
- Fitting location ⇒ [page 7](#)

1.2 Earth point on right headlight

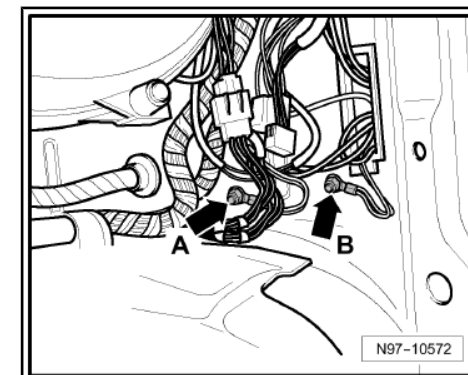
656 - Earth point on right headlight -arrow-



1.3 Earth points on lower part of right A-pillar

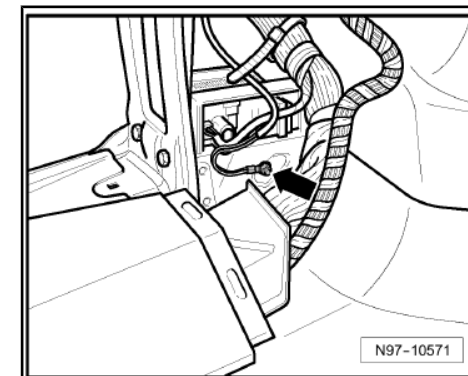
43 - Earth point, lower part of right A-pillar -arrow A-

638 - Earth point, on right A-pillar -arrow B-



1.4 Earth point, airbag control unit

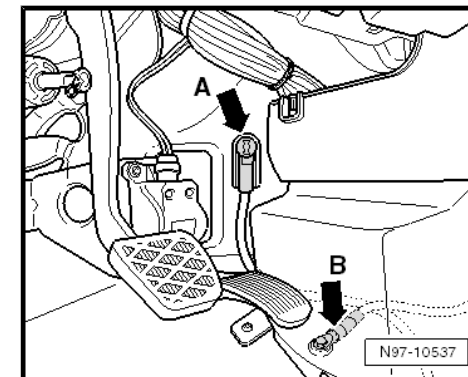
637 - Earth point for airbag control unit -arrow-



1.5 Earth points in front left footwell

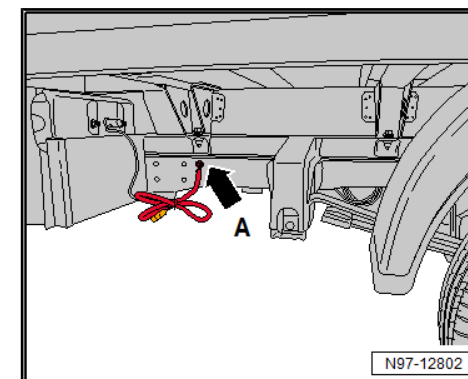
1 - Earth strap, battery - body -arrow B-

602 - Earth point, in front left footwell -arrow A-



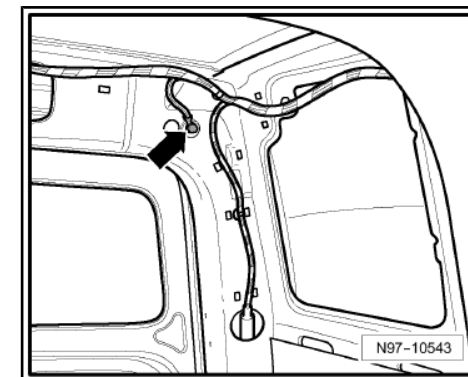
1.6 Earth point 1, for special constructions

721 - Earth point 1 for special constructions -arrow-



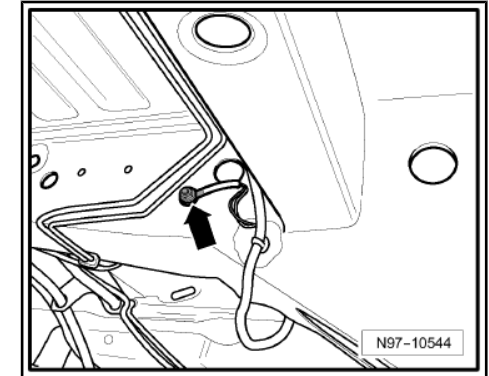
1.7 Earth point, on left D-pillar

653 - Earth point, on left D-pillar -arrow-



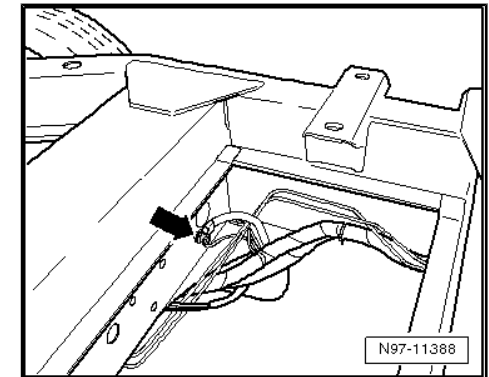
**1.8 Earth point on longitudinal member
(panel van/kombi)**

65 - Earth point on rear left longitudinal member -arrow-



**1.9 Earth point on longitudinal member
(double cab/platform)**

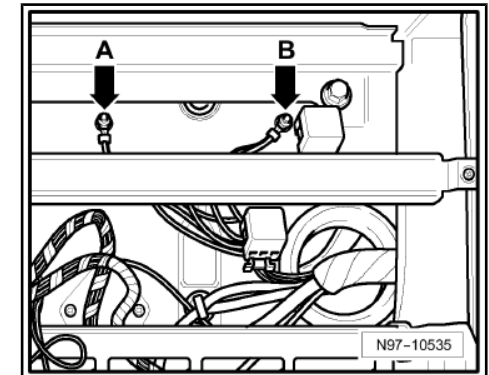
65 - Earth point on rear left longitudinal member -arrow-



**1.10 Earth points in driver seat storage
compartment (until April 2008)**

34 - Earth point under driver seat -arrow A-

704 - Earth point 2 under driver seat -arrow B-

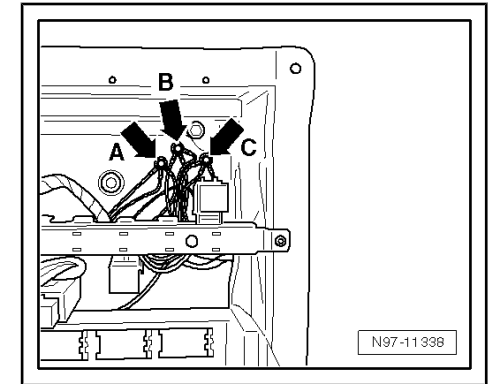


1.11 Earth points in driver seat storage compartment (after May 2008)

704 - Earth point 2 under driver seat -arrow A-

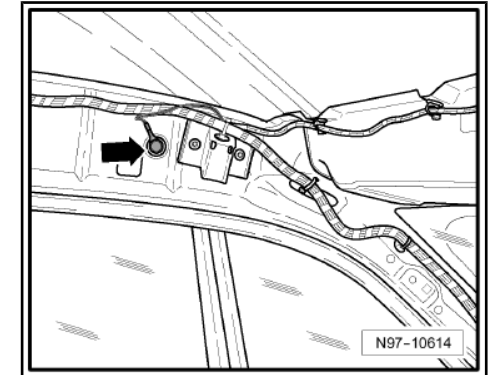
34 - Earth point under driver seat -arrow B-

732 - Earth point 3 under driver seat -arrow C-



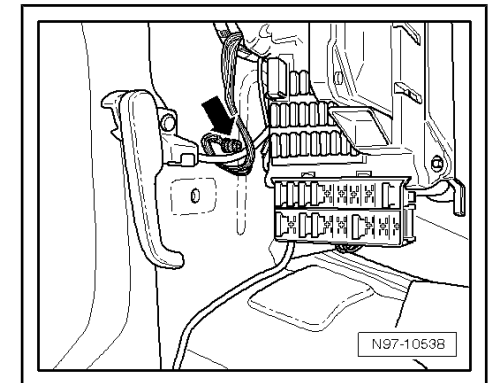
1.12 Earth point at top of left A-pillar

670 - Earth point 2 on left A-pillar -arrow-



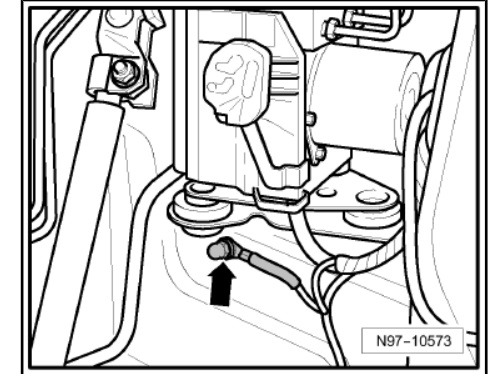
1.13 Earth point on lower part of left A-pillar

639 - Earth point on left A-pillar -arrow-



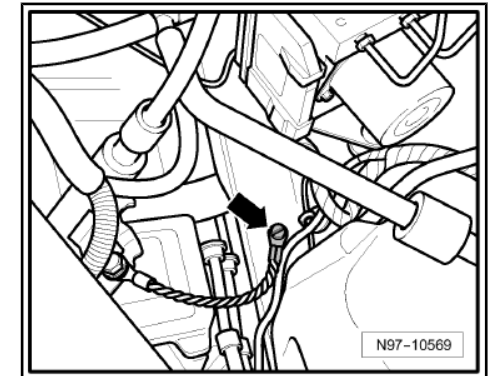
1.14 Earth point 1 on front of left longitudinal member

671 - Earth point 1 at front of left longitudinal member -arrow-



1.15 Earth point 2 on front of left longitudinal member

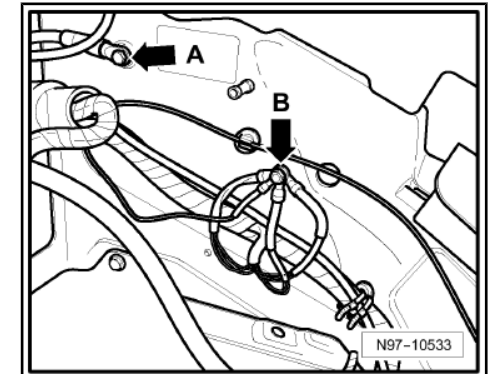
672 - Earth point 2 at front of left longitudinal member -arrow-



1.16 Earth points in engine compart., left

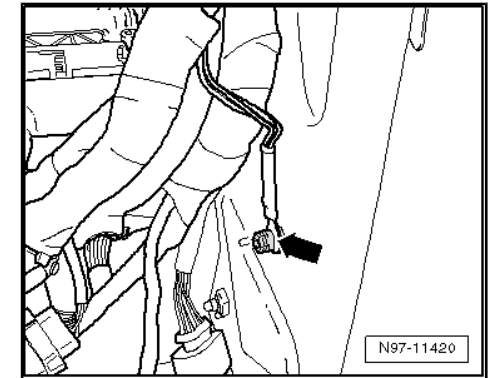
5 - Earth strap, second battery - body -arrow A-

655 - Earth point on left headlight -arrow B-



1.17 Earth point behind left headlight

640 - Earth point 2 in engine compart., left -arrow-



1 Overview of fuses

1 - Terminal 30 voltage supply fuse -S190-

- Fitting location ⇒ [page 25](#)

2 - Fuse holder A -SA- Fuses

- Fitting location ⇒ [page 2](#)
- Fuse assignment

3 - Fuse holder B -SB- Fuses

- Fitting location ⇒ [page 4](#)
- Fuse assignment

4 - Fuse holder C -SC- Fuses

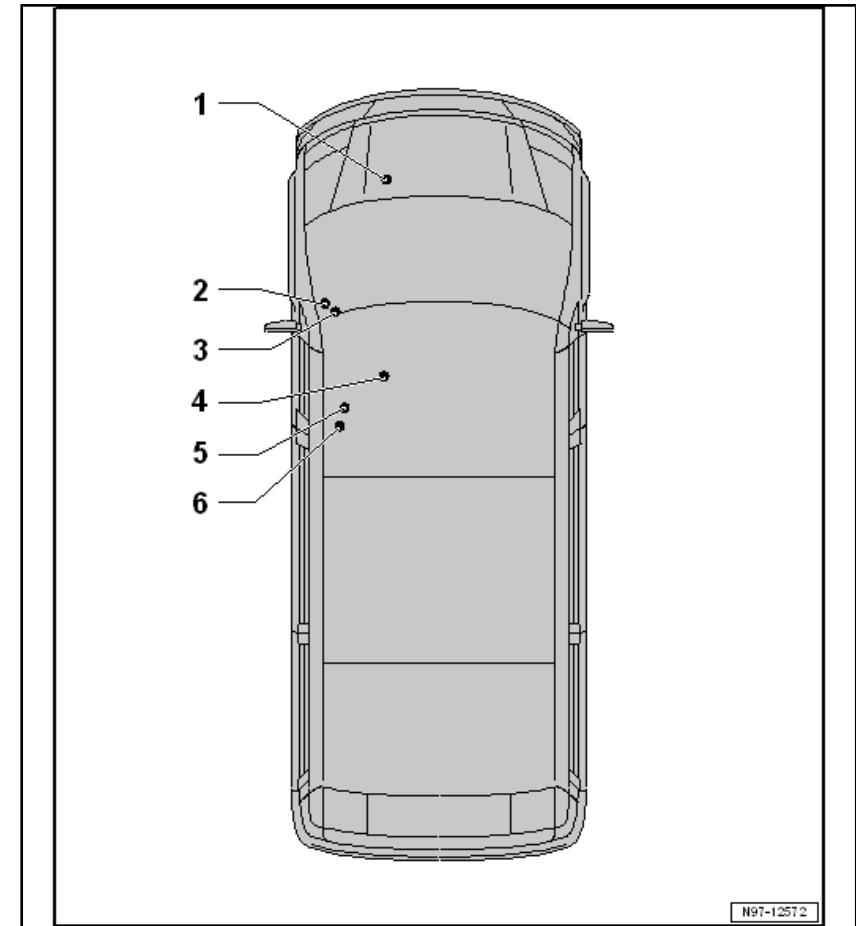
- Fitting location ⇒ [page 7](#)
- Fuse assignment

5 - Fuse holder D -SD- Fuses

- Fitting location up to May 2011 ⇒ [page 12](#)
- Fitting location from May 2011 ⇒ [page 17](#)
- Fuse assignment

6 - Single fuses under driver seat

- Fuses for special vehicles until May 2013 (-S186- , -S204- , -S205- , -S245-)
- Fitting location until May 2013 ⇒ [page 24](#)
- Fuses for special vehicles after May 2013 (-S204- , -S205-)
- Fitting location from May 2013 ⇒ [page 24](#)
- Fuse for special vehicles (-S131-)
- Fitting location ⇒ [page 25](#)
- Fuse for special vehicles (Fuse for daytime running light -S220-)
- Fitting location ⇒ [page 25](#)



1.1 Fuses (SA) on fuse holder, on the battery

1.1.1 Fitting location

◆ Fuses on the battery

1.1.2 Fuse colours

200 A - purple

150 A - grey

125 A - pink

100 A - blue

80 A - white

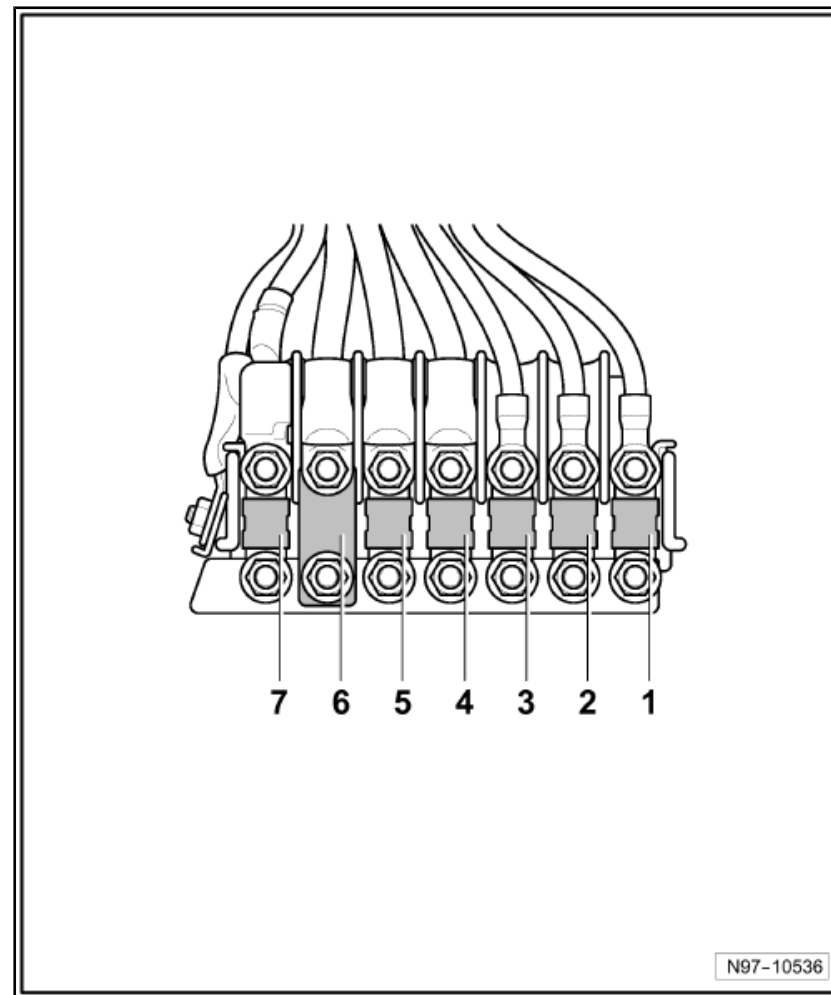
70 A - brown

60 A - yellow

50 A - red

40 A - green

30 A - orange



1.1.3 Fuse assignment on fuse holder A, on the battery

No.	Current Flow Diagram designation	Nominal value	Function/component	Terminal
1	Fuse 1 on fuse holder A -SA1-	80 A	Automatic glow period control unit -J179-	30
2	Fuse 2 on fuse holder A -SA2-	40 A / 60 A / 80 A	Radiator fan control unit -J293- (only on models with A/C system) radiator fan -V7- (only on models with A/C system) right radiator fan -V35- (only on models with air conditioning system)	30
3	Fuse 3 on fuse holder A -SA3-	80 A	Onboard supply control unit -J519- Engine component current supply relay -J757- Fuse holder C -SC- SC2, SC3, SC8 - SC10, SC16	30
4	Fuse 4 on fuse holder A -SA4-	15 0A	Auxiliary battery -A1- Tipping mechanism fuse -S186- (before August 2006) Fuse 1 (30) -S204- (after July 2006) Fuse 2 (30) -S205- (after September 2006) Main fuse for multiple equipment configurations -S245- (before August 2006) Fuse holder D -SD- SD23 - SD25, SD28 (after September 2006 on models with second battery)	30
5	Fuse 5 on fuse holder A -SA5-	15 0A	Terminal 15 voltage supply relay -J329- Horn relay -J413- Onboard supply control unit -J519- Terminal 15 voltage supply relay 2 -J681- Start/Stop operation fuse -S349- (after November 2011) Fuse holder B -SB- SB1 - SB18 Fuse holder C -SC- SC4 - SC7, SC11 - SC15, SC17 - SC25	30

No.	Current Flow Diagram designation	Nominal value	Function/component	Terminal
6	-Stromschiene-	-	Terminal 15 relief relay -J404- Voltage supply relay 1 -J701- (after November 2013) Relief relay 2 for terminal 15 -J817- (only for models in the 3.8 t weight class) Relief relay 3 for terminal 15 -J896- (after November 2011) Fuse for heated front windscreen -S127- Fuse 1 -S131- (after November 2011) Fuse 1 (30) -S204- (before June 2006) Fuse holder D -SD- SD10 - SD33, SD42	30
7	Fuse 7 on fuse holder A -SA7-	15 0A	Auxiliary air heater element -Z35-	30

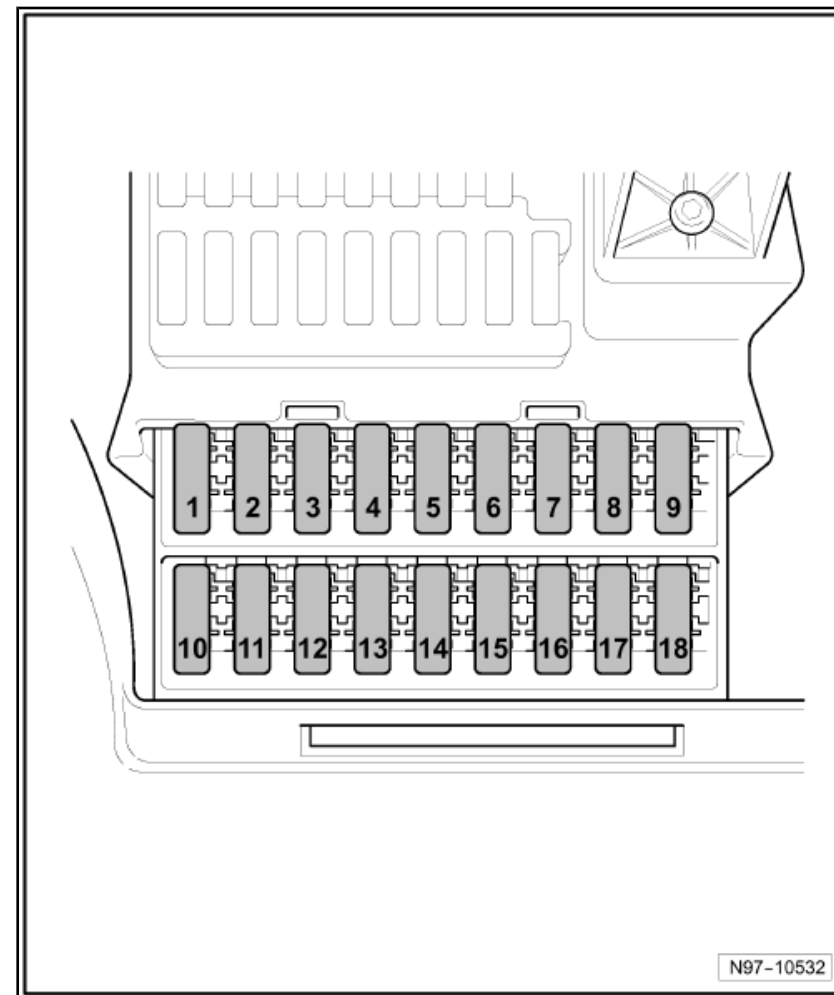
1.2 Fuses (SB) on fuse carrier B, left A-pillar

1.2.1 Fitting location

- ◆ Fuse on left A-pillar

1.2.2 Fuse colours

- 30 A - green
- 25 A - white
- 20 A - yellow
- 15 A - blue
- 10 A - red
- 7,5 A - brown
- 5 A - beige
- 3 A - purple



1.2.3 Position of fuses in fuse holder B, on left A-pillar

No.	Current Flow Diagram designation	Nominal value	Function/component	Terminal
1	Fuse 1 on fuse holder B -SB1-	25 A	Driver door control unit -J386-	30

No.	Current Flow Diagram designation	Nominal value	Function/component	Terminal
2	Fuse 2 on fuse holder B -SB2-	10 A	Diagnostic connection -U31-	30
3	Fuse 3 on fuse holder B -SB3-	25 A	ABS control unit -J104-	30
4	Fuse 4 on fuse holder B -SB4-	40 A	ABS control unit -J104-	30
5	Fuse 5 on fuse holder B -SB5-	-	-nicht belegt-	-
6	Fuse 6 on fuse holder B -SB6-	7.5 A	Evaluation unit for reducing agent level -G698- (from November 2008 to May 2009) Reverse flow valve for reducing agent -N473- (from November 2008 to May 2009) Pump for reducing agents -V437- (from November 2008 to May 2009) -nicht belegt- (from May 2009) Supply unit for reducing agent metering system -GX19- (from November 2013) NOx sensor control unit -J583- (from November 2013) Relay 1 for voltage supply -J701- (from November 2013) NOx sensor 2 control unit -J881- (from November 2013) Relay for reducing agent metering system -J963- (from November 2013) Pump for reducing agent -V437- (from November 2013)	87
7	Fuse 7 on fuse holder B -SB7-	30 A	Headlight washer system pump -V11-	30
8	Fuse 8 on fuse holder B -SB8-	15 A	Rotating light and siren system switch -E11- (from July 2006) Switch for rotating light -E162- (from July 2006) Alarm horn -H12- Alarm system relay 1 -J460- Siren system relay 2 -J645- (From July 2006)	30
9	Fuse 9 on fuse holder B -SB9-	10 A	Turn signal relay for roof mounted turn signals -J436- (from May 2007)	30

No.	Current Flow Diagram designation	Nominal value	Function/component	Terminal
10	Fuse 10 on fuse holder B -SB10-	15 A	Radio -R- Control unit with display for radio and navigation -J503-	30
11	Fuse 11 on fuse holder B -SB11-	7.5 A	Mobile telephone operating electronics control unit -J412- Tachograph control unit -J621-	30
12	Fuse 12 on fuse holder B -SB12-	30 A	Heater/heat output switch -E16- Fresh air blower relay -J13- Fresh air blower control unit -J126- Fresh air blower -V2-	30
13	Fuse 13 on fuse holder B -SB13-	7.5 A	Pre-selection clock -E111- Remote control receiver for auxiliary coolant heater -R149-	30
14	Fuse 14 on fuse holder B -SB14-	30 A	Operating unit for centre dash panel -J819-	30
15	Fuse 15 on fuse holder B -SB15-	10 A	Load area illumination switch -E481- (to October 2008) -nicht belegt-	30
16	Fuse 16 on fuse holder B -SB16-	10 A	Heater/heat output switch -E16- A/C control module -J301- CD changer -R41-	30
17	Fuse 17 on fuse holder B -SB17-	10 A	Interior illumination switch -E599- Rear interior lamp switch -E6- (from November 2012 to May 2013)	30
18	Fuse 18 on fuse holder B -SB18-	-	-nicht belegt-	-

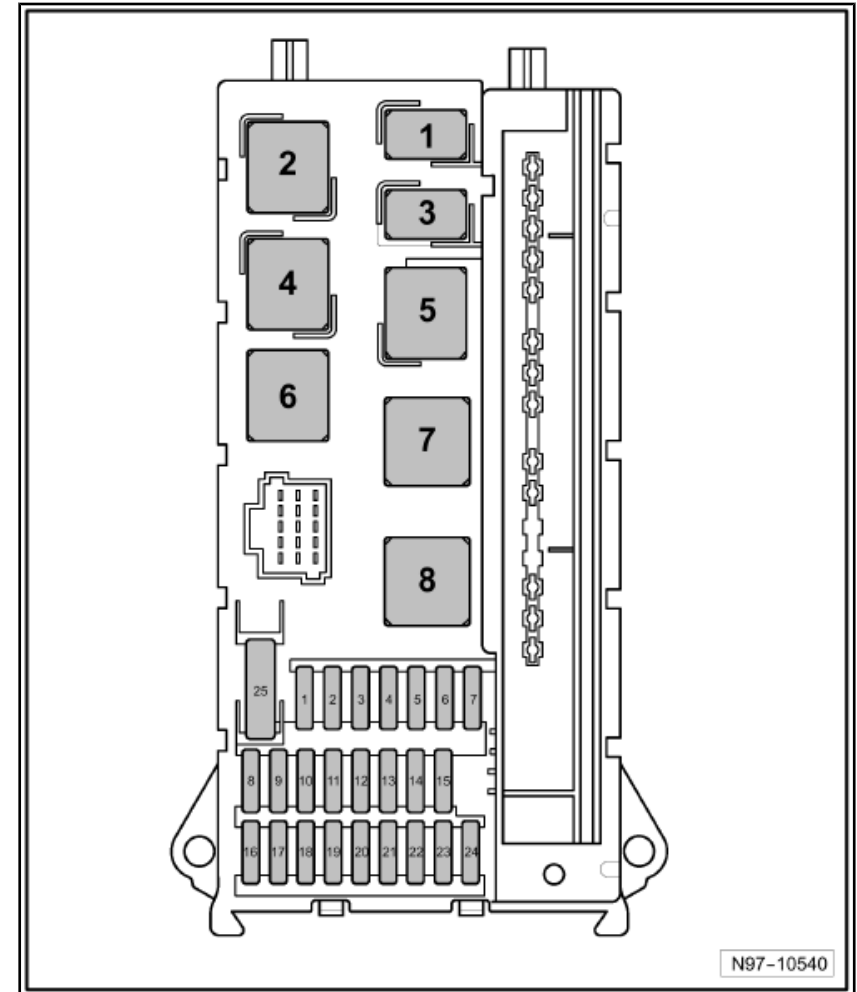
1.3 Fuses (SC) in fuse holder C, on left A-pillar

1.3.1 Fitting location

◆ Fuse on left A-pillar

1.3.2 Fuse colours

- 30 A - green
- 25 A - white
- 20 A - yellow
- 15 A - blue
- 10 A - red
- 7,5 A - brown
- 5 A - beige
- 3 A - purple



1.3.3 Position of fuses in fuse holder C, on left A-pillar

No.	Current Flow Diagram designation	Nominal value	Function/component	Terminal
1	Fuse 1 on fuse holder C -SC1-	15 A	Treble horn -H2-	30

No.	Current Flow Diagram designation	Nominal value	Function/component	Terminal
2	Fuse 2 on fuse holder C -SC2-	25 A	Electronic ignition lock -D9- El. steer. col. lock CU -J764-	30
3	Fuse 3 on fuse holder C -SC3-	10 A	Electronic ignition lock -D9- Control unit in dash panel insert -J285- Engine control unit -J623- (from May 2012)	30
4	Fuse 4 on fuse holder C -SC4-	5A	Light switch -E1- Operating unit for centre dash panel -J819-	30
5	Fuse 5 on fuse holder C -SC5-	30 A	Windscreen wiper motor -V-	30
6	Fuse 6 on fuse holder C -SC6-	15 A	Fuel system pressurisation pump -G6-	87
7	Fuse 7 on fuse holder C -SC7-	5A	Steering column electronics control unit -J527-	15
8	Fuse 8 on fuse holder C -SC8-	20 A	Engine control unit -J623-	87
9	Fuse 9 on fuse holder C -SC9-	20 A 25 A	Fuse 6 on fuse holder B -SB6- (from November 2008 to May 2009) Fuse holder D -SD- SD34 - SD36 (from May 2009 to November 2013)	87
10	Fuse 10 on fuse holder C -SC10-	10 A	Air mass meter -G70- (from May 2012) Evaluation unit for reducing agent level -G698- (from May 2012) Heater element for crankcase breather -N79- (from May 2012) Fuel pressure regulating valve -N276- Exhaust gas recirculation cooler changeover valve -N345- (from May 2012) Reverse flow valve for reducing agent -N473- (from May 2012) Exhaust gas recirculation cooler pump -V400- (from May 2012) Pump for reducing agent -V437- (from May 2012)	87
11	Fuse 11 on fuse holder C -SC11-	15 A	Relief relay 2 for terminal 15 -J817- (only for models in the 3.8 t weight class) Fuse 1 on fuse holder D -SD1- Fuse 2 on fuse holder D -SD2-	15

No.	Current Flow Diagram designation	Nominal value	Function/component	Terminal
12	Fuse 12 on fuse holder C -SC12-	10 A	Airbag control unit -J234-	15
13	Fuse 13 on fuse holder C -SC13-	15 A	Glove compartment light switch -E26- Cigarette lighter -U1-	15
14	Fuse 14 on fuse holder C -SC14-	5A	Light switch -E1- Control unit in dash panel insert -J285- Diagnostic connection -U31-	15
15	Fuse 15 on fuse holder C -SC15-	5A	Heater/heat output switch -E16- Headlight range control regulator -E102- Left headlight range control motor -V48- Right headlight range control motor -V49-	15
16	Fuse 16 on fuse holder C -SC16-	10 A	Main switch for stop/start system -E101- Gearbox neutral position switch -F365- Oil level and oil temperature sender -G266- Fuel pump relay -J17- Continued coolant circulation relay -J151- Automatic glow period control unit -J179- Terminal 50 voltage supply relay -J682- Starter relay 1 -J906- (after November 2013) Starter relay 2 -J907- (after November 2013) Charge pressure control solenoid valve -N75- Coolant circuit valve -N214- Exhaust flap valve -N220- (after November 2013) Fuel metering valve -N290- Exhaust gas recirculation cooler changeover valve -N345- Lambda probe heater -Z19-	87
17	Fuse 17 on fuse holder C -SC17-	10 A	Airbag control unit -J234-	15

No.	Current Flow Diagram designation	Nominal value	Function/component	Terminal
18	Fuse 18 on fuse holder C -SC18-	7.5 A	Brake light switch -F- (from July 2006 to November 2011) Brake pedal switch -F63- (from July 2006 to November 2011) Relief relay for terminal 15 -J404- Voltage stabiliser -J532- (after November 2011) Relay for special constructions, terminal 15 -J821- (after November 2011) Relief relay 3 for terminal 15 -J896- (from November 2011)	15
19	Fuse 19 on fuse holder C -SC19-	7.5 A	Onboard supply control unit -J519- (Interior light)	30
20	Fuse 20 on fuse holder C -SC20-	25 A	Onboard supply control unit -J519-	30
21	Fuse 21 on fuse holder C -SC21-	5A	Air mass meter -G70- Engine control unit -J623-	15
22	Fuse 22 on fuse holder C -SC22-	5A	Brake light switch -F- (before June 2006) Brake pedal switch -F63- (before June 2006) Lateral acceleration sensor -G200- (from July 2006) Longitudinal acceleration sensor -G251- (from July 2006) ABS control unit -J104- (From July 2006)	15
23	Fuse 23 on fuse holder C -SC23-	25 A	Starter -B- Onboard supply control unit -J519-	15
24	Fuse 24 on fuse holder C -SC24-	10 A	-Reserve Kl. 15- Battery regulation control unit -J840- (from May 2013)	15
25	Fuse 25 on fuse holder C -SC25-	30 A	- 12-V socket -U5-	30

1.4 Fuses (SD) on fuse holder D, under driver seat

1.4.1 Fitting location

- ◆ Fuse under driver seat

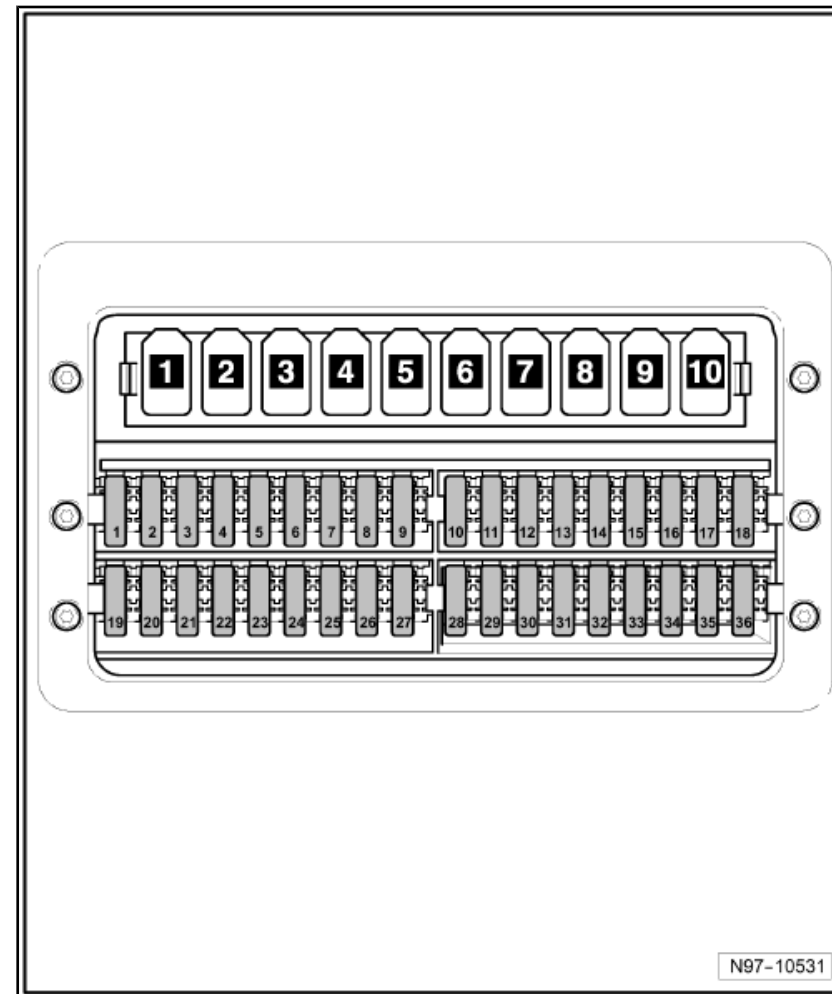


Note

until May 2011

1.4.2 Fuse colours

- 30 A - green
- 25 A - white
- 20 A - yellow
- 15 A - blue
- 10 A - red
- 7,5 A - brown
- 5 A - beige
- 3 A - purple



N97-10531

1.4.3 Fuses (SD) on fuse holder D, under driver seat, until May 2011

No.	Current Flow Diagram designation	Nominal value	Function/component	Terminal
1	Fuse 1 on fuse holder D -SD1-	5A	- Operating unit for window regulator in driver door -E512- Heated rear window relay -J9- (before June 2006) Relay 2 for heated rear window -J868- (From July 2006)	15
2	Fuse 2 on fuse holder D -SD2-	30 A	- Rear left wing door window wiper motor -V92- Rear window wiper motor in right wing door -V93-	15
3	Fuse 3 on fuse holder D -SD3-	5A	- Pre-selection clock -E111- Gearbox neutral position switch -F365- Display unit control unit -J146- Mobile telephone operating electronics control unit -J412- (until May 2011) Reversing camera -R189-	15
4	Fuse 4 on fuse holder D -SD4-	7.5 A	- Working speed control switch -E261- (from July 2006) Power take-off warning switch -F247- (from July 2006) Relay for heated rear window -J9- (until June 2006) Trailer detector control unit -J345- Tachograph control unit -J621- (From July 2006)	15
5	Fuse 5 on fuse holder D -SD5-	5A / 10 A	- Selector lever -E313- Automated manual gearbox control unit -J514-	15
6	Fuse 6 on fuse holder D -SD6-	5A	- Battery regulation control unit -J840- (until May 2013) Heater element for crankcase breather -N79-	15
7	Fuse 7 on fuse holder D -SD7-	10 A	- Fuel filter heater -Z57-	15

No.	Current Flow Diagram designation	Nominal value	Function/component	Terminal
8	Fuse 8 on fuse holder D -SD8-	5A / 10A	- Tilting mechanism button -E223- Relay for special constructions, terminal 15 -J821- 6-pin connector -T6ah- (from May 2007) 7-pin connector -T7f- (Tail lift coupling point)	15
9	Fuse 9 on fuse holder D -SD9-	15A	- Switch for roof ventilator to ventilate loading area -E534- Siren system relay -J408-	15
10	Fuse 10 on fuse holder D -SD10-	25A	-Schnittstelle für externe Nutzung-	30
11	Fuse 11 on fuse holder D -SD11-	15A	- Relay for special constructions, terminal 15 -J821-	30
12	Fuse 12 on fuse holder D -SD12-	10A	- Relay for special constructions, terminal 61 -J822-	30
13	Fuse 13 on fuse holder D -SD13-	30A / 10A	- Evaporator blower control unit -J349- (from May 2007 to May 2011) Turn signal relay for roof mounted turn signals -J436- (To May 2007)	30
14	Fuse 14 on fuse holder D -SD14-	20A	- Trailer detector control unit -J345- (Before August 2006) 9-pin connector -T9b- (Preliminary set-up for trailer attachment from September 2006) Trailer socket -U10- (From September 2006)	30
15	Fuse 15 on fuse holder D -SD15-	25A	- Trailer detector control unit -J345-	30
16	Fuse 16 on fuse holder D -SD16-	7.5A	- Parking aid control unit -J446- Tyre Pressure Monitoring System control unit -J502-	30
17	Fuse 17 on fuse holder D -SD17-	25A	- Control unit for programmable special functions -J820-	30
18	Fuse 18 on fuse holder D -SD18-	25A	- Control unit for programmable special functions -J820-	30
19	Fuse 19 on fuse holder D -SD19-	5A / 25A	- Roof electronics control unit -J528-	30

No.	Current Flow Diagram designation	Nominal value	Function/component	Terminal
20	Fuse 20 on fuse holder D -SD20-	7.5 A / 10 A	- Continued coolant circulation relay -J151- - Entry and footwell light relay -J348- (from May 2009)	30
21	Fuse 21 on fuse holder D -SD21-	15 A / 30 A	- Heated rear window relay -J9-	30
22	Fuse 22 on fuse holder D -SD22-	15 A	- Heated rear window relay -J9- (before June 2006) - Relay 2 for heated rear window -J868-	30
23	Fuse 23 on fuse holder D -SD23-	10 A / 15 A	- Load area illumination switch -E481- (after November 2008) - 12 V socket 2 -U18-	30
24	Fuse 24 on fuse holder D -SD24-	15 A	- 12 V socket 4 -U20-	30
25	Fuse 25 on fuse holder D -SD25-	15 A	- 12 V socket 3 -U19-	30
26	Fuse 26 on fuse holder D -SD26-	25 A	- Auxiliary heater control module -J364-	30
27	Fuse 27 on fuse holder D -SD27-	20 A / 25 A	- Auxiliary heater control module -J364- - Control unit 2 for supplementary heating -J824-	30
28	Fuse 28 on fuse holder D -SD28-	30 A / 40 A	- Evaporator blower control unit -J349- (before April 2007) - Gearbox hydraulic pump relay -J510- (from May 2007)	30
29	Fuse 29 on fuse holder D -SD29-	15 A	- Automated manual gearbox control unit -J514-	30
30	Fuse 30 on fuse holder D -SD30-	40 A	- Gearbox hydraulic pump relay -J510- (before April 2007) - Battery regulation control unit -J840-	30
31	Fuse 31 on fuse holder D -SD31-	30 A / 15 A	- Rear fresh air blower control unit -J391- - Left sliding door control unit -J558- - Rear fresh air blower -V80-	30

No.	Current Flow Diagram designation	Nominal value	Function/component	Terminal
32	Fuse 32 on fuse holder D -SD32-	5A	- Battery monitoring control unit -J367-	30
33	Fuse 33 on fuse holder D -SD33- Differential lock fuse -S187-	15 A	- Right sliding door control unit -J731-	30
34	Fuse 34 on fuse holder D -SD34- Fuse 3 -S133-	15 A	- Control unit for reducing-agent heater -J891- (from April 2009)	30
35	Fuse 35 on fuse holder D -SD35- Fuse 4 -S134-	15 A / 3A	- Control unit for reducing-agent heater -J891- (from April 2009)	30
36	Fuse 36 on fuse holder D -SD36- Fuse 2 -S132-	-	-nicht belegt-	-

1.5 Fuses (SD) on fuse holder D, under driver seat

1.5.1 Fitting location

- ◆ Fuse under driver seat

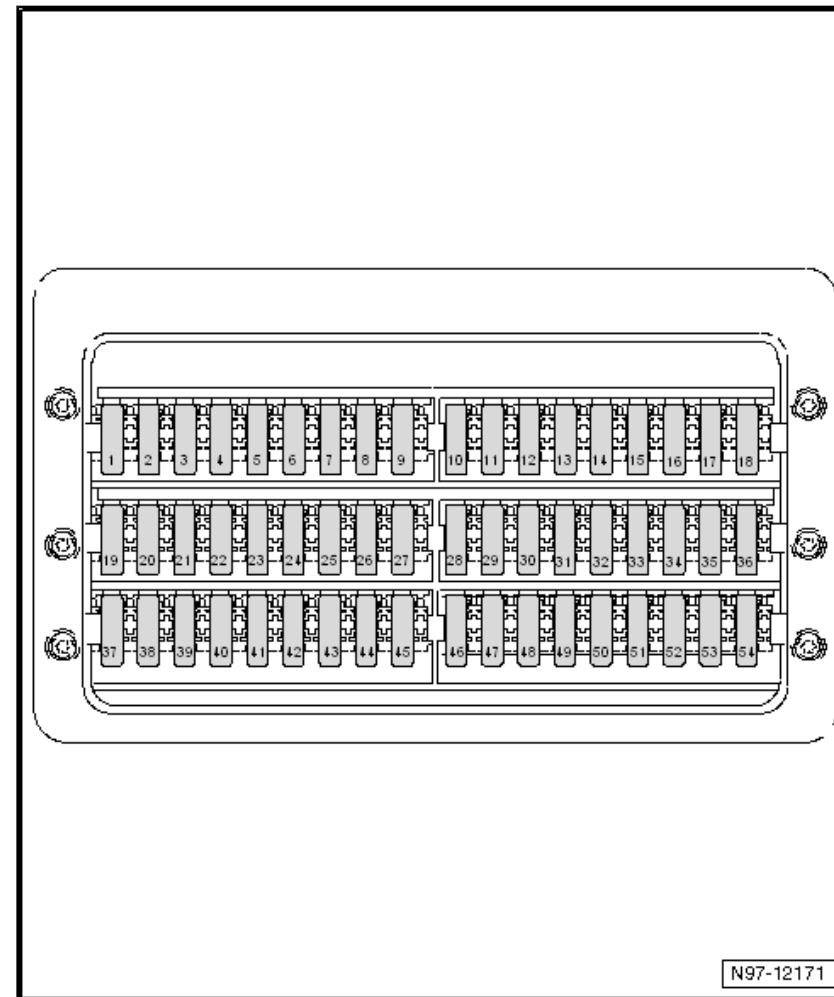


Note

from May 2011

1.5.2 Fuse colours

- 30 A - green
- 25 A - white
- 20 A - yellow
- 15 A - blue
- 10 A - red
- 7,5 A - brown
- 5 A - beige
- 3 A - purple



1.5.3 Fuses (SD) on fuse holder D, under driver seat, after May 2011

No.	Current Flow Diagram designation	Nominal value	Function/component	Terminal
1	Fuse 1 on fuse holder D -SD1-	5A	- Operating unit for window regulator in driver door -E512- Heated rear window relay 2 -J868-	15
2	Fuse 2 on fuse holder D -SD2-	30 A	- Rear left wing door window wiper motor -V92- Rear window wiper motor in right wing door -V93-	15
3	Fuse 3 on fuse holder D -SD3-	5A	- Pre-selection clock -E111- Gearbox neutral position switch -F365- Display unit -J145- Reversing camera -R189-	15
4	Fuse 4 on fuse holder D -SD4-	7.5 A	- Working speed control switch -E261- Power take-off warning switch -F247- Trailer detector control unit -J345- Tachograph control unit -J621-	15
5	Fuse 5 on fuse holder D -SD5-	5A / 10 A	- Selector lever -E313- Automated manual gearbox control unit -J514- Bonnet contact switch -F266- (from November 2011)	15
6	Fuse 6 on fuse holder D -SD6-	5A / 10 A	- Heater element for crankcase breather -N79- Battery regulation control unit -J840- (from May 2011 to May 2013)	15
7	Fuse 7 on fuse holder D -SD7-	10 A	- Fuel filter heater -Z57-	15
8	Fuse 8 on fuse holder D -SD8-	5A / 10 A	- Tilting mechanism button -E223- Parking aid control unit -J446- (after May 2013) Relay for special constructions, terminal 15 -J821- (until November 2011) 6-pin connector -T6ah- 7-pin connector -T7f- (Tail lift coupling point)	15

No.	Current Flow Diagram designation	Nominal value	Function/component	Terminal
9	Fuse 9 on fuse holder D -SD9-	15 A	- Switch for roof ventilator to ventilate loading area -E534- (before November 2011) Siren system relay -J408- (before November 2011) -nicht belegt (ab November 2011)-	15
10	Fuse 10 on fuse holder D -SD10-	25 A	-Schnittstelle für externe Nutzung-	30
11	Fuse 11 on fuse holder D -SD11-	15 A	- Relay for special constructions, terminal 15 -J821-	30
12	Fuse 12 on fuse holder D -SD12-	10 A	- Relay for special constructions, terminal 61 -J822-	30
13	Fuse 13 on fuse holder D -SD13-	-	-nicht belegt-	-
14	Fuse 14 on fuse holder D -SD14-	20 A	- 9-pin connector -T9b- (Preliminary set-up for trailer attachment) Trailer socket -U10-	30
15	Fuse 15 on fuse holder D -SD15-	25 A	- Trailer detector control unit -J345-	30
16	Fuse 16 on fuse holder D -SD16-	7.5 A	- Parking aid control unit -J446- Tyre Pressure Monitoring System control unit -J502-	30
17	Fuse 17 on fuse holder D -SD17-	25 A	- Control unit for programmable special functions -J820-	30
18	Fuse 18 on fuse holder D -SD18-	25 A	- Control unit for programmable special functions -J820-	30
19	Fuse 19 on fuse holder D -SD19-	5A / 25 A	- Roof electronics control unit -J528-	30
20	Fuse 20 on fuse holder D -SD20-	7.5 A / 10 A	- Continued coolant circulation relay -J151- Entry and footwell light relay -J348-	30
21	Fuse 21 on fuse holder D -SD21-	30 A	- Heated rear window relay -J9-	30
22	Fuse 22 on fuse holder D -SD22-	15 A	- Heated rear window relay 2 -J868-	30

No.	Current Flow Diagram designation	Nominal value	Function/component	Terminal
23	Fuse 23 on fuse holder D -SD23-	10 A / 15 A	- Load area illumination switch -E481- 12 V socket 2 -U18-	30
24	Fuse 24 on fuse holder D -SD24-	15 A	- 12 V socket 4 -U20-	30
25	Fuse 25 on fuse holder D -SD25-	15 A	- 12 V socket 3 -U19-	30
26	Fuse 26 on fuse holder D -SD26-	25 A	- Auxiliary heater control module -J364-	30
27	Fuse 27 on fuse holder D -SD27-	20 A / 25 A	- Auxiliary heater control module -J364- Control unit 2 for supplementary heating -J824-	30
28	Fuse 28 on fuse holder D -SD28-	40 A / 30 A	- Gearbox hydraulic pump relay -J510- Starter relay 1 -J906-	30
29	Fuse 29 on fuse holder D -SD29-	15 A	- Automated manual gearbox control unit -J514-	30
30	Fuse 30 on fuse holder D -SD30-	5A	- Battery regulation control unit -J840-	30
31	Fuse 31 on fuse holder D -SD31-	30 A / 15 A	- Left sliding door control unit -J558- (from May 2012) Rear fresh air blower control unit -J391- Rear fresh air blower -V80-	30
32	Fuse 32 on fuse holder D -SD32-	5A	- Battery monitoring control unit -J367-	30

No.	Current Flow Diagram designation	Nominal value	Function/component	Terminal
33	Fuse 33 on fuse holder D -SD33- Differential lock fuse -S187-	15 A / 30 A 7,5 A	- nicht belegt- Right sliding door control unit -J731- (from May 2012) Lockout relay 1 for transfer box -J1010- (from January 2012) Lockout relay 2 for transfer box -J1011- (from January 2012) Lockout relay 3 for transfer box -J1012- (from January 2012) Compressed air compressor -V534 - (From January 2012)	30
34	Fuse 34 on fuse holder D -SD34- Fuse 3 -S133-	15 A / 7.5 A	- Control unit for reducing-agent heater -J891- Transfer box differential lock switch -F99- (from January 2012) Rear axle drive unit differential lock switch -F100- (from January 2012) Front axle drive unit differential lock switch -F101- (From January 2012)	30
35	Fuse 35 on fuse holder D -SD35- Fuse 4 -S134-	15 A / 3A	- Control unit for reducing-agent heater -J891- Compressed air compressor protection control unit -J1013- (From January 2012)	30
36	Fuse 36 on fuse holder D -SD36- Fuse 2 -S132-	5A	- nicht belegt- (to January 2012) Compressed air compressor pressure switch -F503- (From January 2012)	61
37	Fuse 37 on fuse holder D -SD37-	-	- nicht belegt-	-
38	Fuse 38 on fuse holder D -SD38-	-	- nicht belegt-	-
39	Fuse 39 on fuse holder D -SD39-	7.5 A / 15 A	- Switch for roof ventilator to ventilate loading area -E534- (after November 2011) Siren system relay -J408- (from November 2011)	-
40	Fuse 40 on fuse holder D -SD40-	-	- nicht belegt-	-
41	Fuse 41 on fuse holder D -SD41-	-	- nicht belegt-	-

No.	Current Flow Diagram designation	Nominal value	Function/component	Terminal
42	Fuse 42 on fuse holder D -SD42-	30 A	- Evaporator blower control unit -J349-	30
43	Fuse 43 on fuse holder D -SD43-	-	- nicht belegt-	-
44	Fuse 44 on fuse holder D -SD44-	-	- nicht belegt-	-
45	Fuse 45 on fuse holder D -SD45-	-	- nicht belegt-	-
46	Fuse 46 on fuse holder D -SD46-	-	- nicht belegt-	-
47	Fuse 47 on fuse holder D -SD47-	-	- nicht belegt-	-
48	Fuse 48 on fuse holder D -SD48-	-	- nicht belegt-	-
49	Fuse 49 on fuse holder D -SD49-	-	- nicht belegt-	-
50	Fuse 50 on fuse holder D -SD50-	-	- nicht belegt-	-
51	Fuse 51 on fuse holder D -SD51-	-	- nicht belegt-	-
52	Fuse 52 on fuse holder D -SD52-	-	- nicht belegt-	-
53	Fuse 53 on fuse holder D -SD53-	-	- nicht belegt-	-
54	Fuse 54 on fuse holder D -SD54-	-	- nicht belegt-	-
55	Fuse 55 on fuse holder D -SD55-	-	- nicht belegt-	-
56	Fuse 56 on fuse holder D -SD56-	-	- nicht belegt-	-

1.6 Single fuses under driver seat

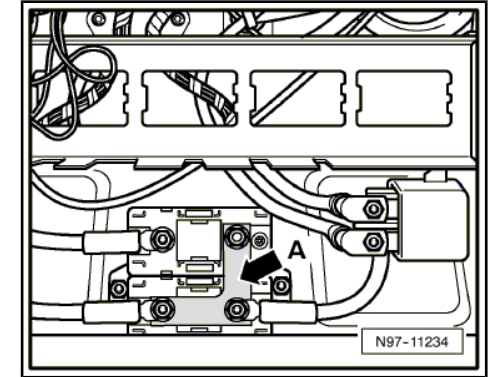
1.6.1 Fuses for special vehicles until May 2013

A - Tipping mechanism fuse -S186- Up to August 2006

A - Fuse 1 (30) -S204- (Retarder/Second battery)

A - Fuse 2 (30) -S205- after September 2006 (Tail lift/three-way tipper/Retarder)

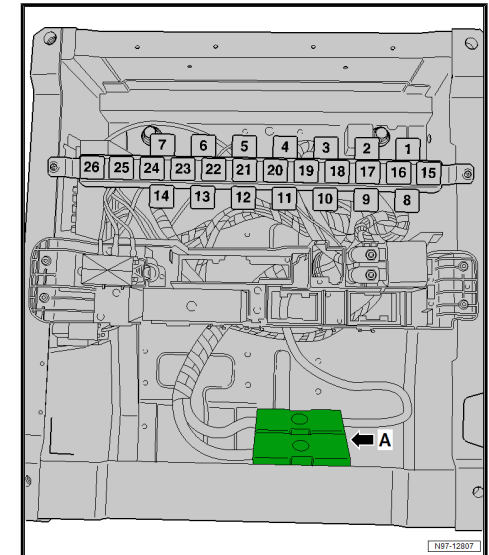
A - Main fuse for multiple equipment configurations -S245- Up to August 2006



1.6.2 Fuses for special vehicles after May 2013

A - Fuse 1 (30) -S204- (Retarder/Second battery)

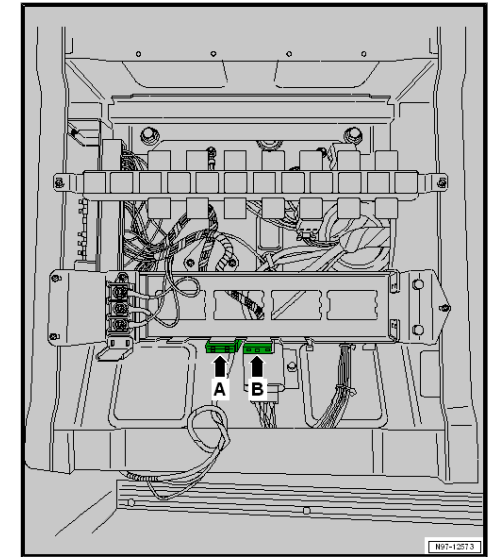
A - Fuse 2 (30) -S205- (Tail lift/three-way tipper/Retarder)



1.6.3 Fuse 1 -S131-

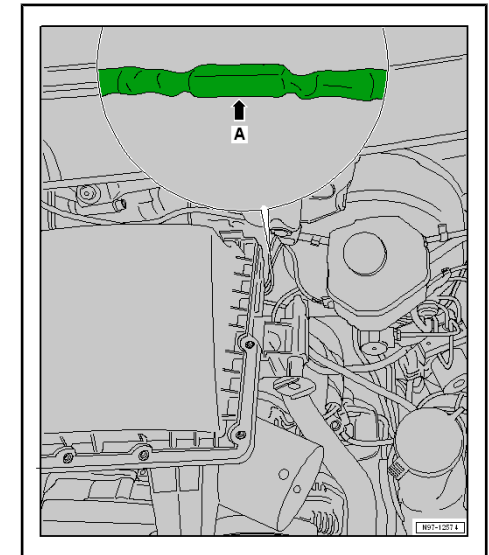
A - Daytime running lights fuse -S220- (Achleitner only)

B - Fuse 1 -S131- (Compressed air compressor)



1.6.4 Terminal 30 voltage supply fuse -S190-

A - Terminal 30 voltage supply fuse -S190- (in the line section between the alternator and the starter)



1 Relay assignment

1.1 Overview of relay carriers

1 - Relay carrier on onboard supply control unit

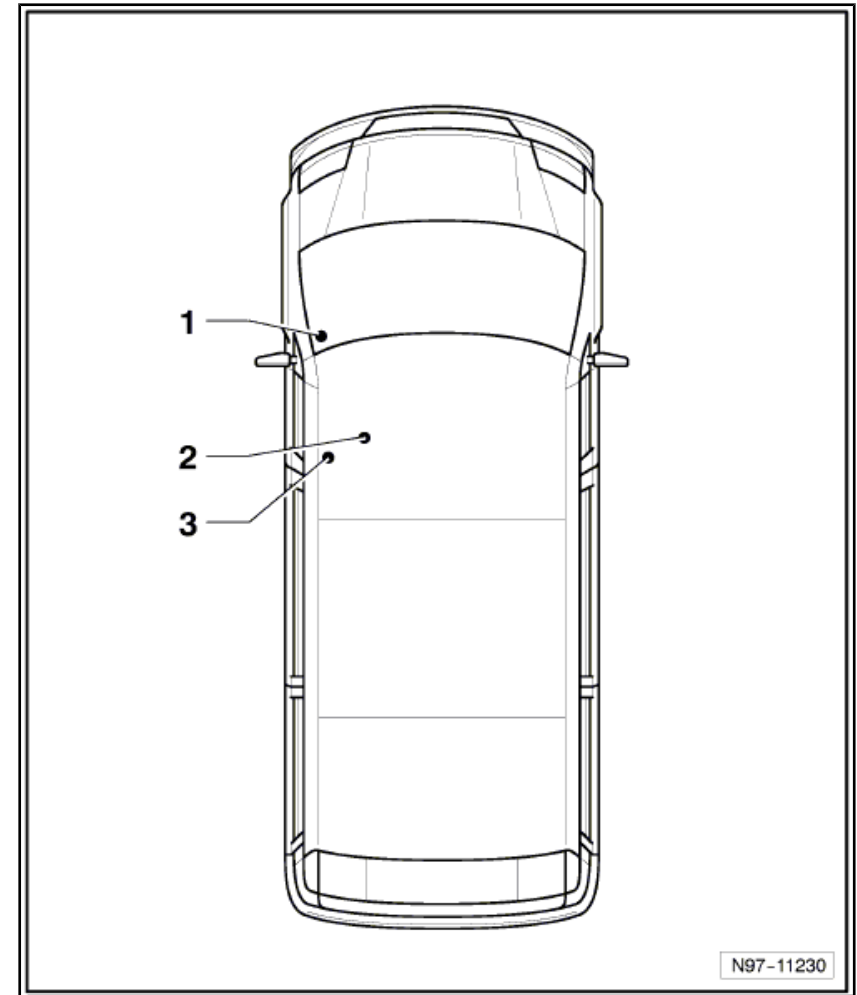
- on left A-pillar
- Relay position assignment ⇒ [page 2](#)

2 - Relay carrier in left driver seat storage compartment (until April 2009)

- On left driver seat
- Relay position assignment ⇒ [page 3](#)

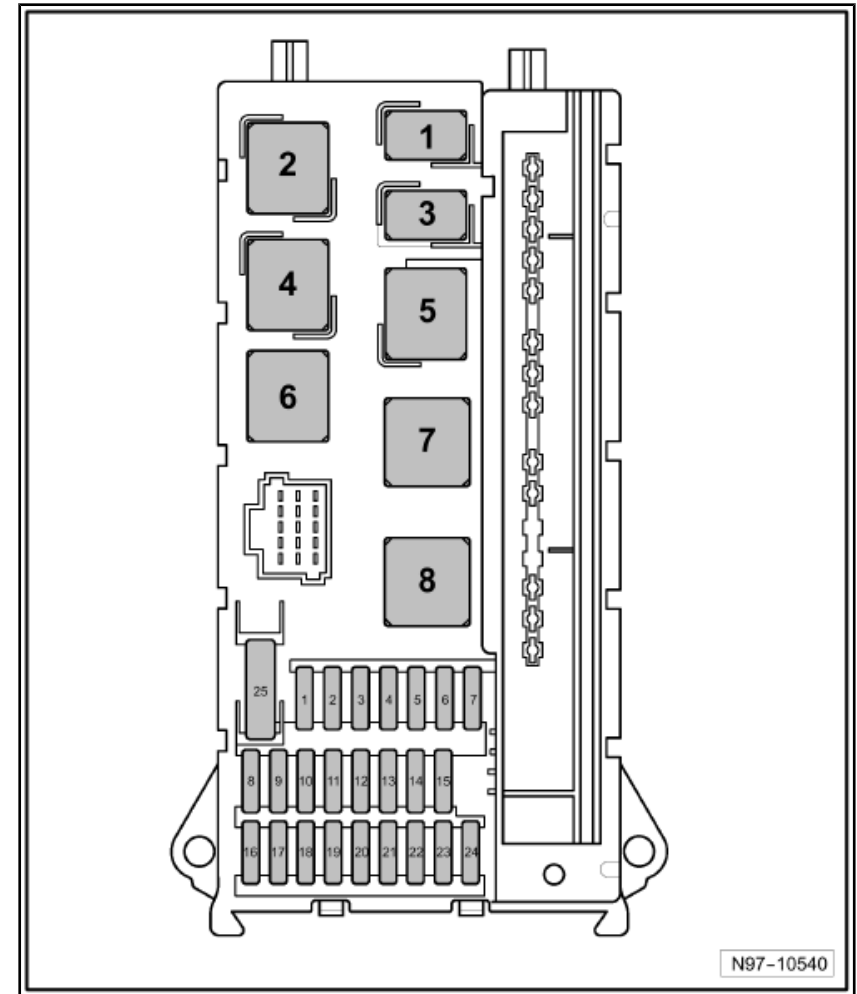
3 - Relay carrier in driver seat stor. compart.

- in driver seat storage compartment
- Relay assignment before April 2009 ⇒ [page 4](#)
- Relay assignment after April 2009 ⇒ [page 5](#)
- Relay assignment from May 2013 ⇒ [page 7](#)



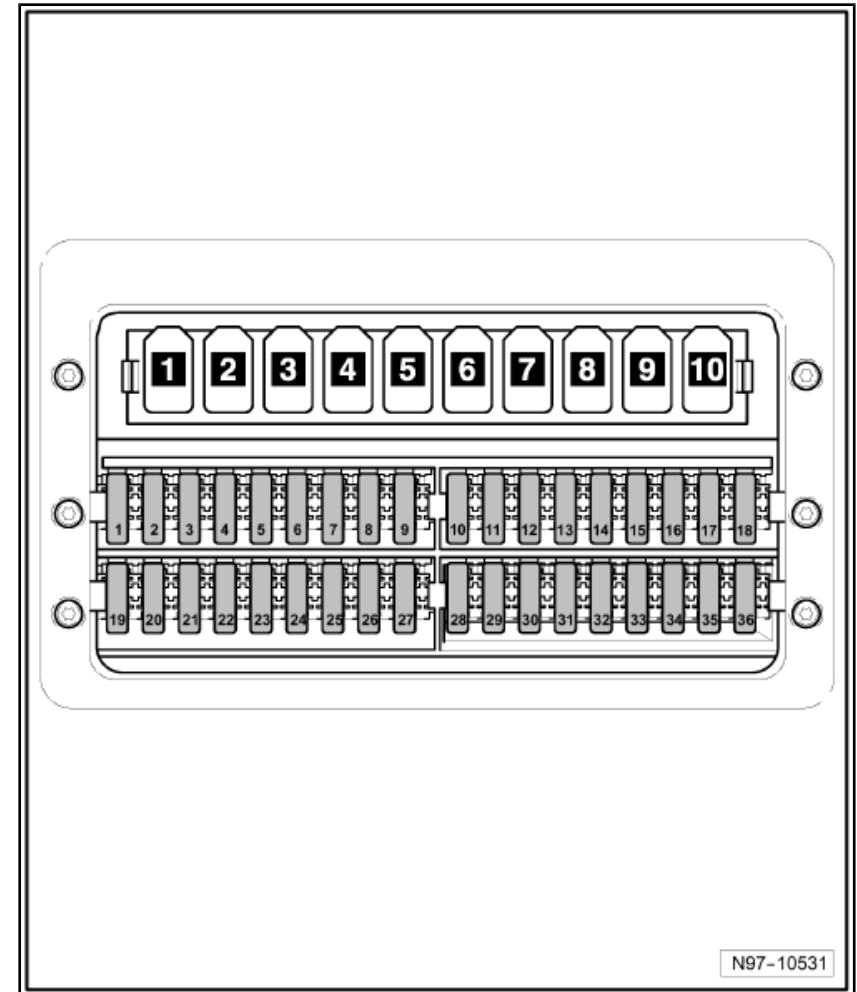
1.2 Position of relays on onboard power supply control unit, left A-pillar

- 1 - Horn relay -J413-
- 2 - Wiper motor switch-over relay 2 -J369-
- 3 - Fuel pump relay -J17-
- 4 - Wiper motor switch-over relay 1 -J368-
- 5 - Terminal 50 voltage supply relay -J682-
- 6 - Terminal 15 voltage supply relay -J329-
- 7 - Engine component current supply relay -J757-
- 8 - Terminal 15 voltage supply relay 2 -J681-



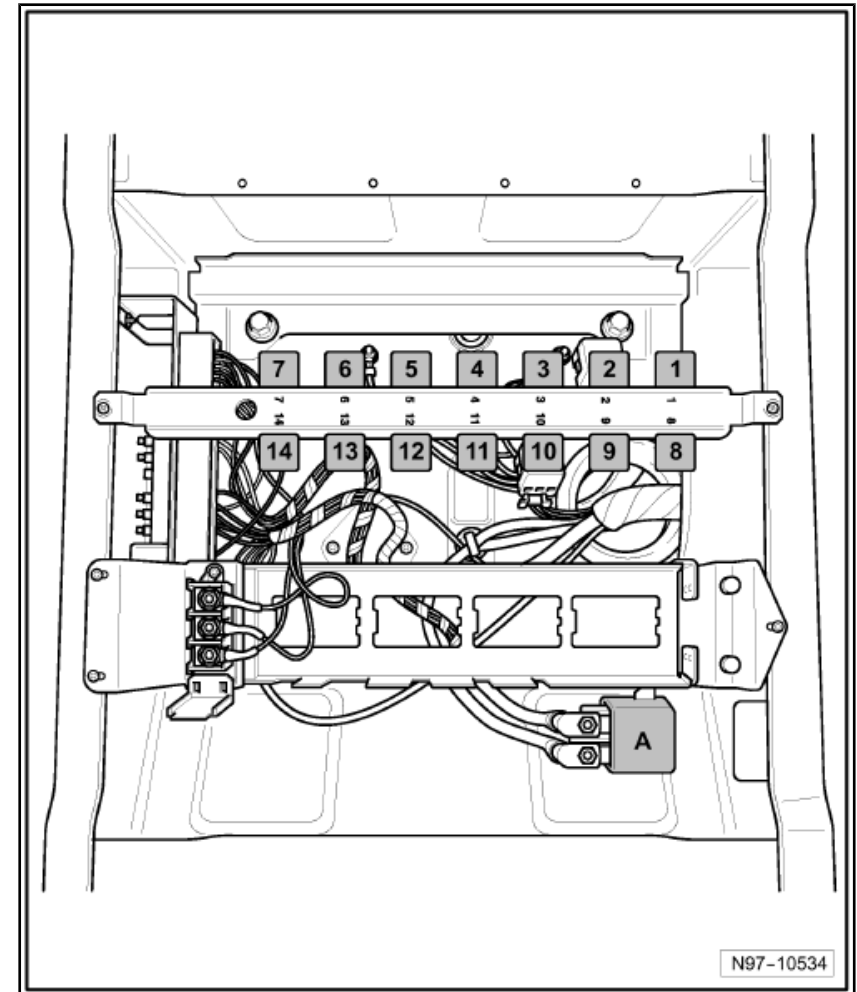
1.3 Relay carrier in left driver seat storage compartment (until April 2009)

- 1 - Relay for special constructions, terminal 15 -J821-
- 2 - Relay for special constructions, terminal 61 -J822-
- 3 - Interior light relay -J602-
- 3 - Tipping mechanism relay -J432- (to October 2007)
- 3 - Relay for tail lift -J823-
- 4 - Headlight washer system relay -J39-
- 5 - Rotating light relay -J326-
- 6 - Alarm system relay 1 -J460-
- 7 - Coolant pump relay -J235-
- 8 - Continued coolant circulation relay -J151-
- 9 - Siren system relay -J408-
- 10 - Not assigned



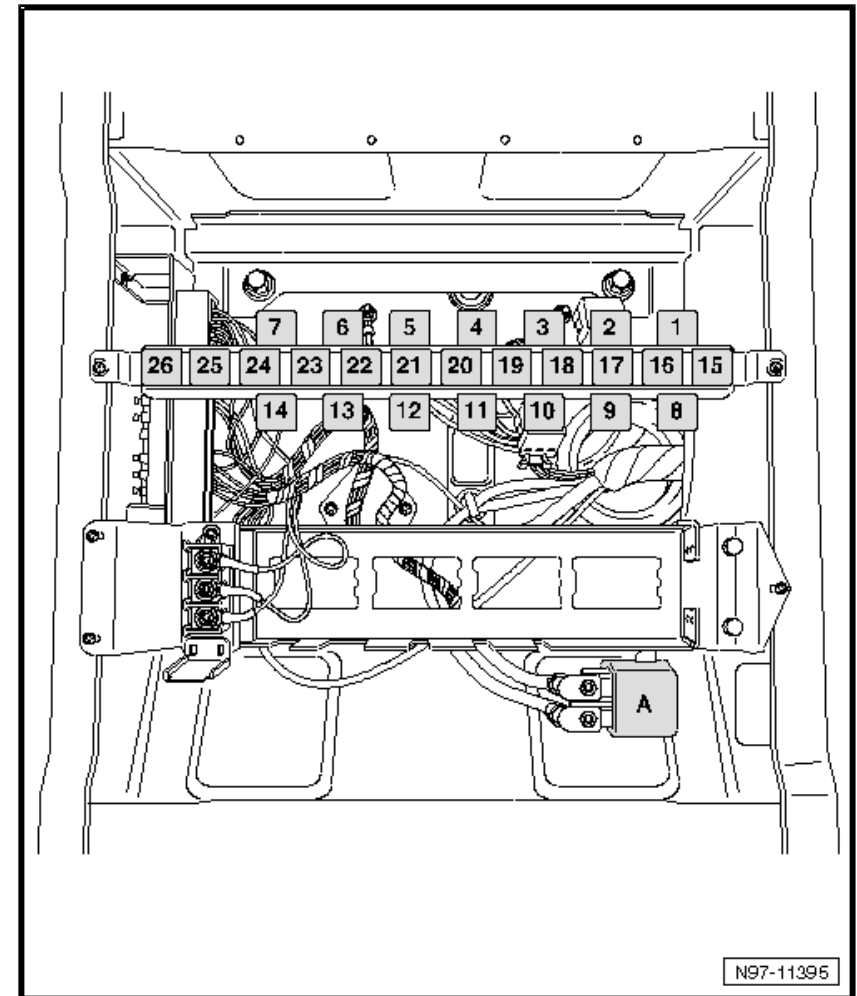
1.4 Relay carrier in driver seat storage compartment (until April 2009)

- 1 - Terminal 15 relief relay -J404-
- 2 - Heated rear window relay -J9-
- 3 - Relief relay 2 for terminal 15 -J817-
- 4 - Not assigned
- 5 - Heated windscreen relay -J47-
- 6 - Heated rear window relay 2 -J868-
- 7 - Fresh air blower relay -J13- (Auxiliary coolant heater with independent vehicle heater)
- 8 - Gearbox hydraulic pump relay -J510- (with Shiftmatic only)
- 9 - Not assigned
- 10 - Not assigned
- 11 - Not assigned
- 12 - Not assigned
- 13 - Not assigned
- 14 - Not assigned
- A - Battery isolator relay -J7-



1.5 Relay carrier in driver seat storage compartment (after April 2009)

- 1 - Not assigned
- 2 - Terminal 15 relief relay -J404-
- 3 - Relief relay 3 for terminal 15 -J896-
- 3 - Relay for compressed air compressor -J1014- ¹⁾
- 4 - Gearbox hydraulic pump relay -J510-
- 4 - Daytime running light switch-on relay -J90- ¹⁾
- 5 - Heated rear window relay -J9-
- 6 - Heated rear window relay 2 -J868-
- 7 - Relief relay 2 for terminal 15 -J817-
- 8 - free
- 9 - Heated windscreen relay -J47-
- 10 - Fresh air blower relay -J13-
- 11 - free
- 12 - free
- 13 - free
- 14 - free
- 15 - Relay for special constructions, terminal 15 -J821-
- 16 - Relay for special constructions, terminal 61 -J822-
- 17 - Relay for tail lift -J823-
- 17 - Interior light relay -J602-
- 18 - Headlight washer system relay -J39-
- 18 - Relay for compressed air compressor release -J1009- ¹⁾
- 19 - Siren system relay 2 -J645-
- 19 - Entry and footwell light relay -J348- (from May 2011)
- 19 - Relay for compressed air compressor regeneration -J1008- ¹⁾
- 20 - Alarm system relay 1 -J460-
- 21 - Coolant pump relay -J235-



- 22 - Continued coolant circulation relay -J151-
- 22 - Entry and footwell light relay -J348- (from May 2009 to May 2011)
- 23 - Siren system relay -J408-
- 23 - ABS switch-off relay -J149- ¹⁾
- 24 - Transfer box lockout relay 1 -J1012- ¹⁾
- 25 - Transfer box lockout relay 2 -J1011- ¹⁾
- 26 - Switch-off relay for reverse warning system -J969- (from May 2011)
- 26 - Transfer box lockout relay 3 -J1010- ¹⁾
- A - Battery isolator relay -J7-

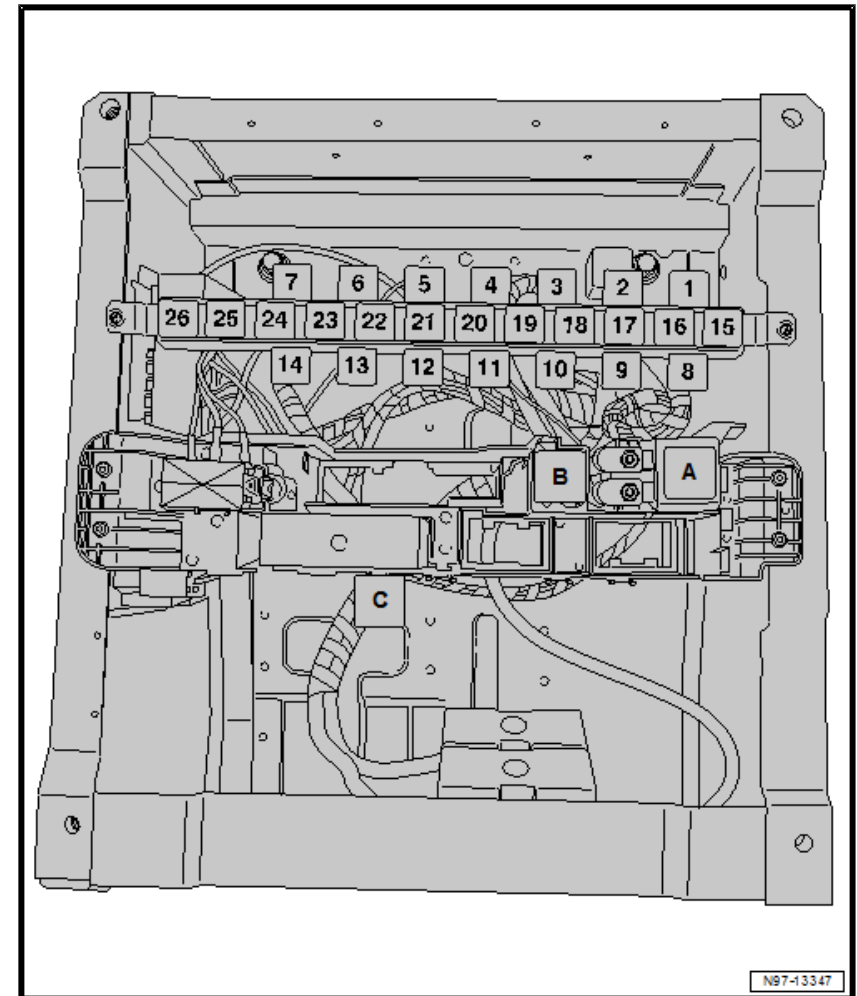


Note

¹⁾ Position depends on the equipment package

1.6 Relay carrier in driver seat storage compartment (after May 2013)

- 1 - Not assigned
- 2 - Terminal 15 relief relay -J404-
- 3 - Relief relay 3 for terminal 15 -J896-
- 3 - Relay for compressed air compressor -J1014- ¹⁾
- 4 - Gearbox hydraulic pump relay -J510-
- 4 - Daytime running light switch-on relay -J90- ¹⁾
- 5 - Heated rear window relay -J9-
- 6 - Heated rear window relay 2 -J868-
- 7 - Relief relay 2 for terminal 15 -J817-
- 8 - free
- 9 - Heated windscreen relay -J47-
- 10 - Fresh air blower relay -J13-
- 11 - free
- 12 - free
- 13 - free
- 14 - free
- 15 - Relay for special constructions, terminal 15 -J821-
- 16 - Relay for special constructions, terminal 61 -J822-
- 17 - Relay for tail lift -J823-
- 17 - Interior light relay -J602-
- 18 - Headlight washer system relay -J39-
- 18 - Relay for compressed air compressor release -J1009- ¹⁾
- 19 - Siren system relay 2 -J645-
- 19 - Entry and footwell light relay -J348-
- 19 - Relay for compressed air compressor regeneration -J1008- ¹⁾
- 20 - Alarm system relay 1 -J460-
- 21 - Coolant pump relay -J235-



- 22 - Continued coolant circulation relay -J151-
- 23 - Siren system relay -J408-
- 23 - ABS switch-off relay -J149- ¹⁾
- 24 - Transfer box lockout relay 1 -J1012- ¹⁾
- 25 - Transfer box lockout relay 2 -J1011- ¹⁾
- 26 - Switch-off relay for reverse warning system -J969-
- 26 - Transfer box lockout relay 3 -J1010- ¹⁾
- A - Battery isolator relay -J7-
- B - Starter relay 1 -J906-
- C - Starter relay 2 -J907-



Note

¹⁾ *Position depends on the equipment package*

1 Control units in engine compartment

1.1 Overview of control units

1 - Automatic glow period control unit -J179-

- Fitting location ⇒ [page 2](#)

2 - Radiator fan control unit -J293-

- Fitting location ⇒ [page 2](#)

3 - Evaluation unit for reducing agent level -G698- From November 2013

- Fitting location ⇒ [page 3](#)

4 - Control unit for reducing-agent heater -J891- From November 2013

- Fitting location ⇒ [page 3](#)

5 - Control unit for NOx sender -J583- From November 2013

- Fitting location ⇒ [page 4](#)

6 - Control unit for NOx sender 2 -J881- From November 2013

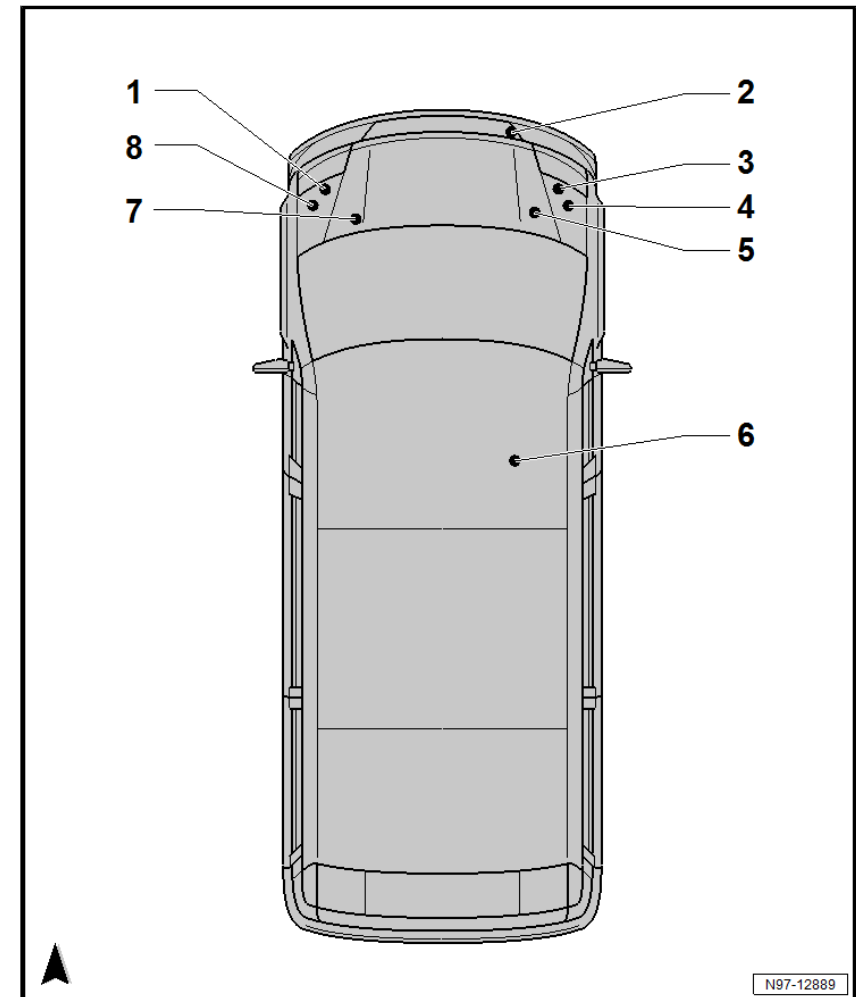
- Fitting location ⇒ [page 4](#)

7 - ABS control unit -J104-

- Fitting location ⇒ [page 5](#)
- Connector assignment before January 2012 ⇒ [page 5](#)
- Connector assignment after January 2012 ⇒ [page 7](#)

8 - Engine control unit -J623-

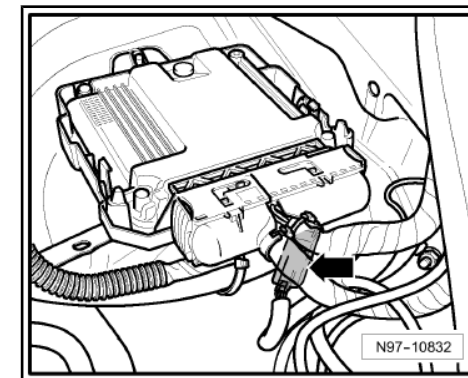
- Fitting location ⇒ [page 8](#)
- Connector assignment ⇒ [page 8](#)



1.2 Automatic glow period control unit -J179-

1.2.1 Fitting location

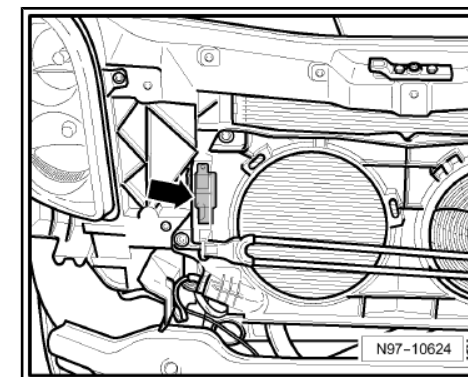
On left in engine compartment -arrow-



1.3 Radiator fan control unit -J293-

1.3.1 Fitting location

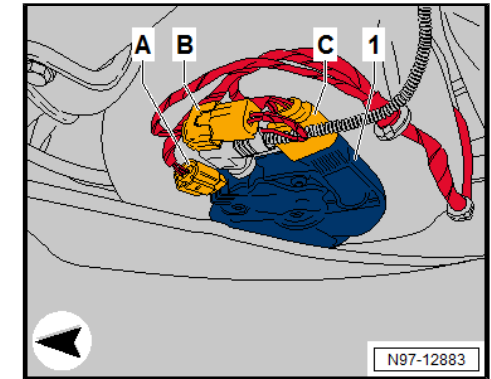
on right of lock carrier -arrow-



1.4 Evaluation unit for reducing agent level -G698-

1.4.1 Fitting location

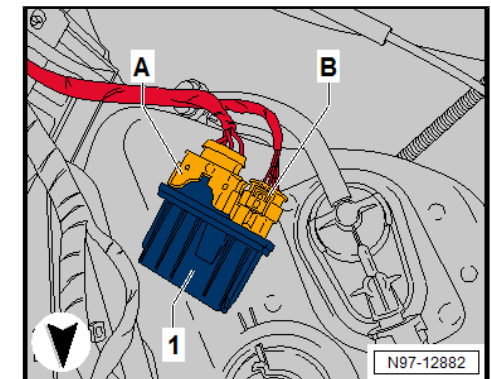
under front bumper on right -1-



1.5 Control unit for reducing-agent heater -J891-

1.5.1 Fitting location

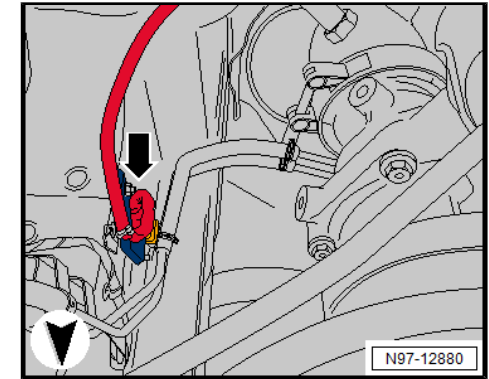
behind right headlight -1-



1.6 Control unit for NOx sender -J583-

1.6.1 Fitting location

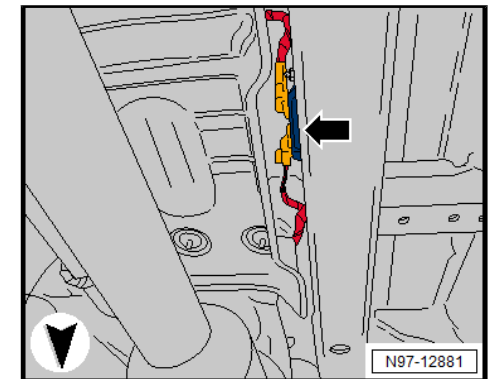
in engine compart., right, on longitudinal member -arrow-



1.7 Control unit for NOx sender 2 -J881-

1.7.1 Fitting location

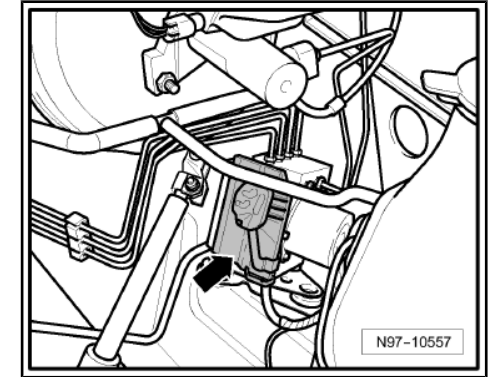
on inside longitudinal member, near particulate filter -arrow-



1.8 ABS control unit -J104-

1.8.1 Fitting location

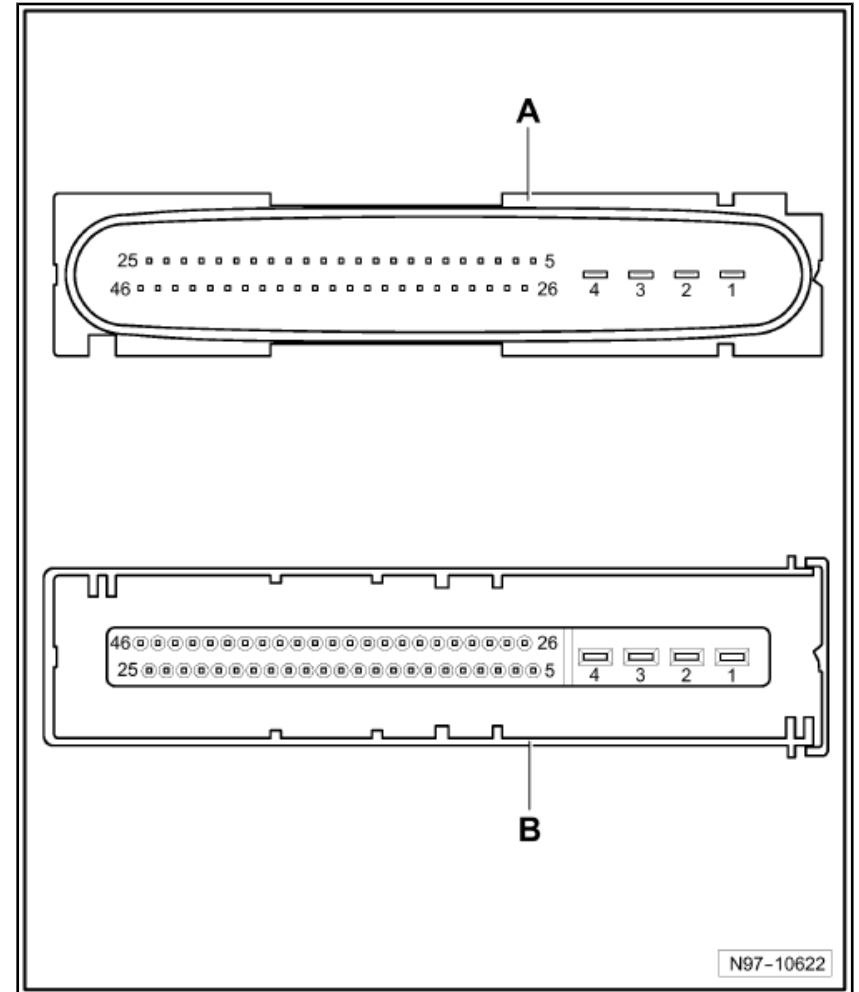
On left in engine compartment -arrow-



1.8.2 Connector assignment before January 2012

A - ABS control unit -J104-

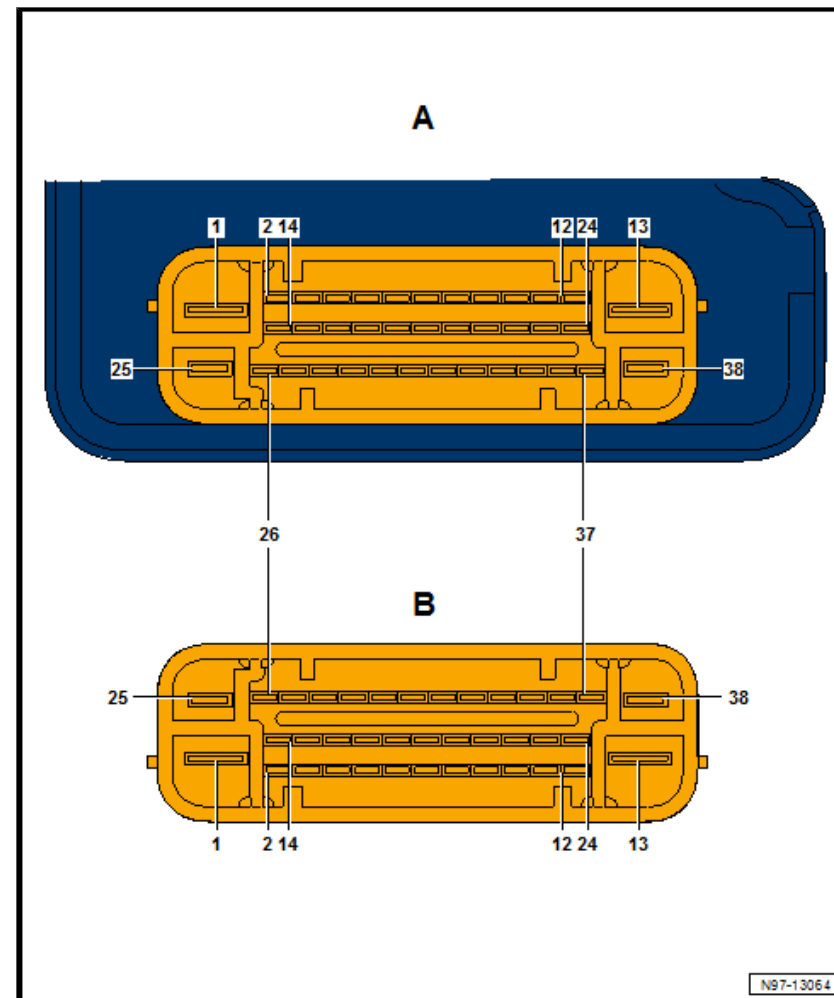
B - 46-pin connector -T46-



1.8.3 Connector assignment after January 2012

A - ABS control unit -J104-

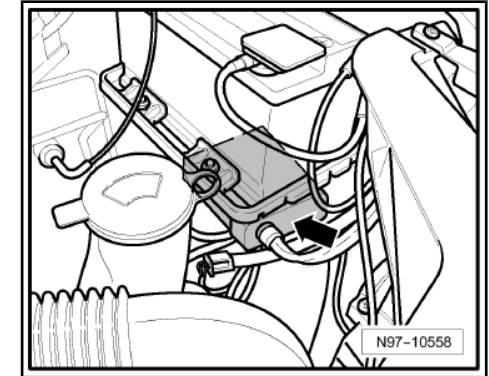
B - 38-pin connector -T38-



1.9 Engine control unit -J623-

1.9.1 Fitting location

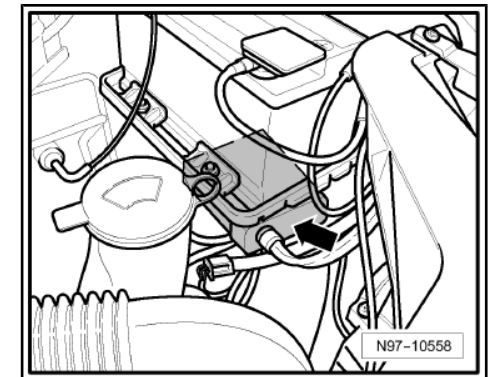
On left in engine compartment -arrow-



1.10 Engine control unit -J623-

1.10.1 Fitting location:

In engine compartment, left ⇒ -arrow-



1.10.2 Connector assignment

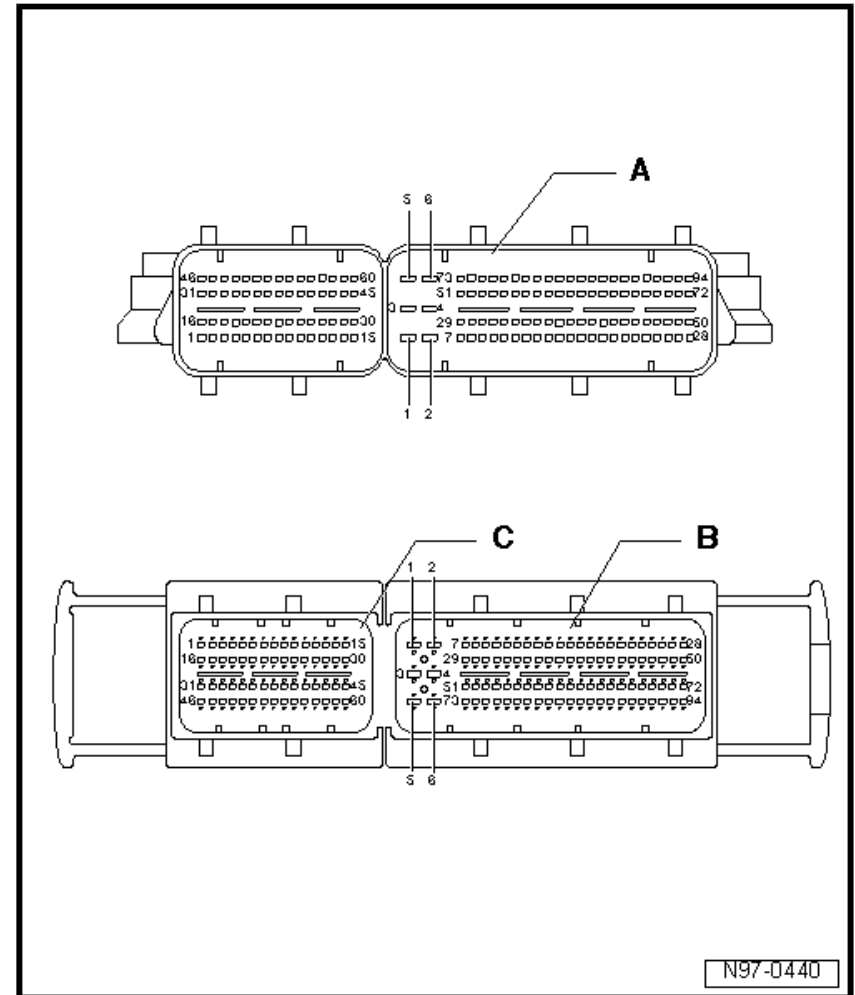
A - Engine control unit -J623-

B - 94-pin connector -T94-

C - 60-pin connector -T60-

i Note

The pin connector -T154- is composed of -T94- connector and -T60- connector.



N97-0440

1 Control units in interior

1.1 Overview of control units

1 - Airbag control unit -J234-

- Fitting location ⇒ [page 3](#)
- Connector assignment ⇒ [page 4](#)

2 - Mobile telephone operating electronics control unit -J412-

- Fitting location ⇒ [page 4](#)
- Connector assignment ⇒ [page 6](#)

3 - Parking aid control unit -J446-

- Fitting location ⇒ [page 6](#)
- Connector assignment ⇒ [page 8](#)

4 - Trailer detector control unit -J345-

- Fitting location ⇒ [page 9](#)
- Connector assignment ⇒ [page 10](#)

5 - NOx sensor control unit -J583- up to November 2013

- Fitting location ⇒ [page 11](#)

6 - Control unit for reducing-agent heater -J891- up to November 2013

- Fitting location panel van / kombi ⇒ [page 12](#)
- Fitting location platform/double cab ⇒ [page 13](#)

7 - Reversing camera system control unit -J772-

- Fitting location ⇒ [page 13](#)

8 - Compressed air compressor protection control unit -J1013-

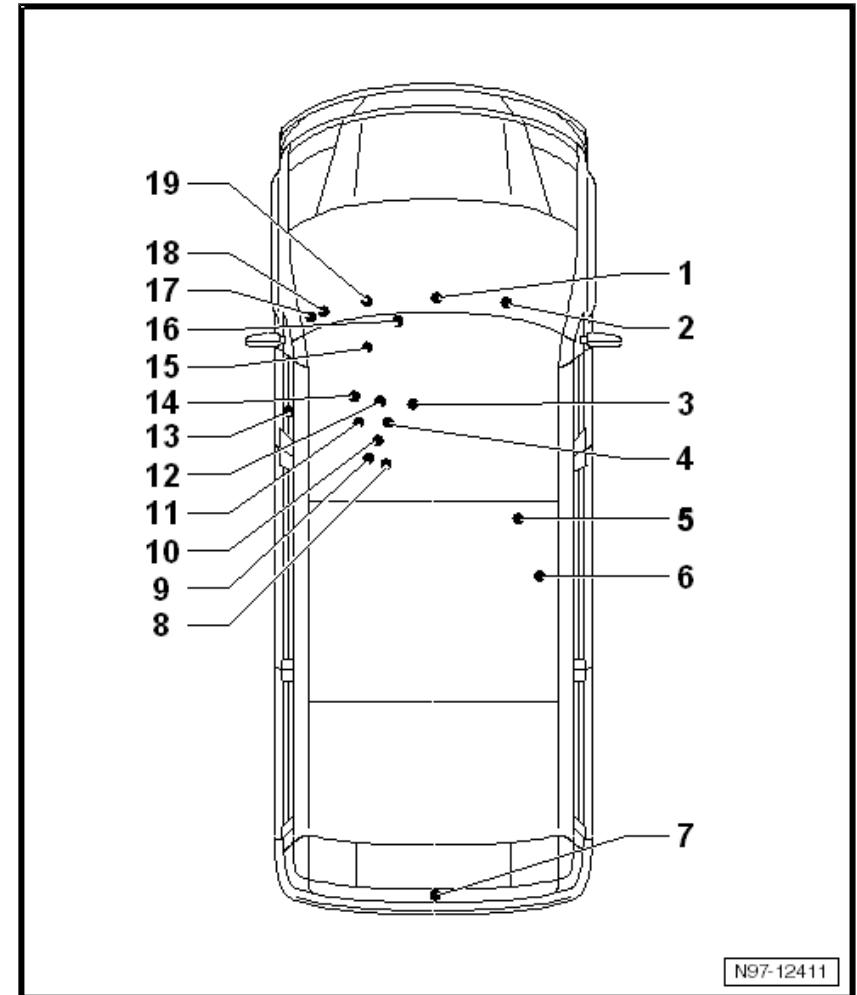
- Fitting location ⇒ [page 14](#)

9 - Turn signal relay for roof mounted turn signals -J436-

- Fitting location ⇒ [page 15](#)
- Connector assignment ⇒ [page 16](#)

10 - Tyre Pressure Monitoring System control unit -J502-

- Fitting location ⇒ [page 17](#)



11 - Control unit for programmable special functions -J820-

- Fitting location ⇒ [page 19](#)
- Connector assignment ⇒ [page 20](#)

12 - Automated manual gearbox control unit -J514-

- Fitting location ⇒ [page 21](#)
- Connector assignment ⇒ [page 22](#)

13 - Driver door control unit -J386-

- Fitting location ⇒ [page 23](#)
- Connector assignment ⇒ [page 24](#)

14 - Battery regulation control unit -J840-

- Fitting location ⇒ [page 24](#)

15 - Steering column electronics control unit -J527-

- Fitting location ⇒ [page 25](#)
- Connector assignment ⇒ [page 26](#)

16 - Electronic ignition lock -D9-

- Fitting location ⇒ [page 27](#)
- Connector assignment ⇒ [page 28](#)

17 - Fuse and relay unit

- Fitting location ⇒ [page 29](#)
- Connector assignment ⇒ [page 30](#)

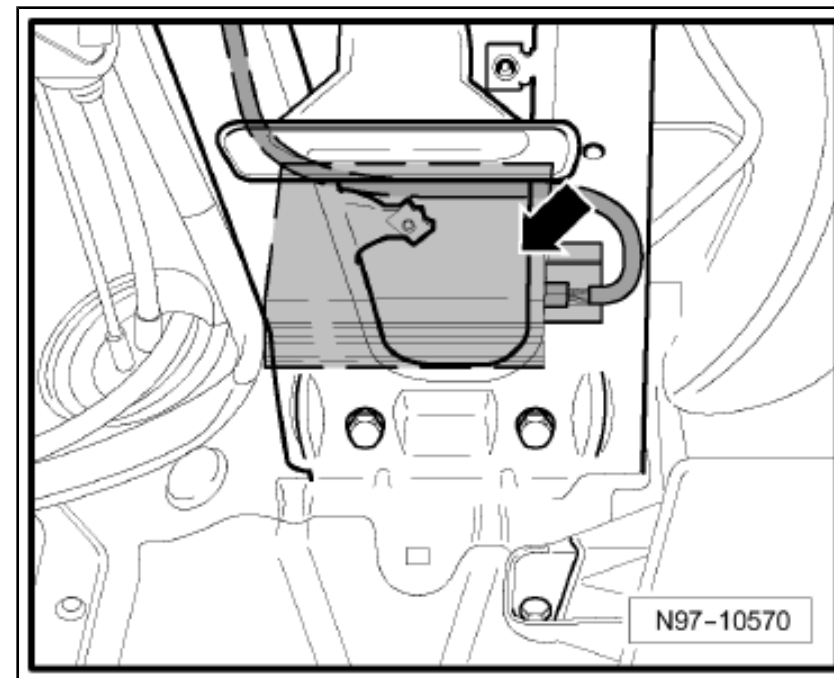
18 - Onboard supply control unit -J519-

- Fitting location ⇒ [page 33](#)
- Connector assignment ⇒ [page 34](#)

19 - Dash panel insert -K-

- Connector assignment ⇒ [page 39](#)

1.2 Airbag control unit -J234-

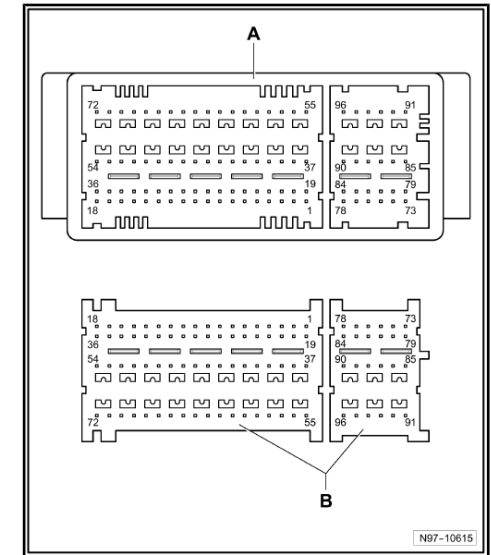


1.2.1 Fitting location

Under centre console -arrow-

1.2.2 Connector assignment

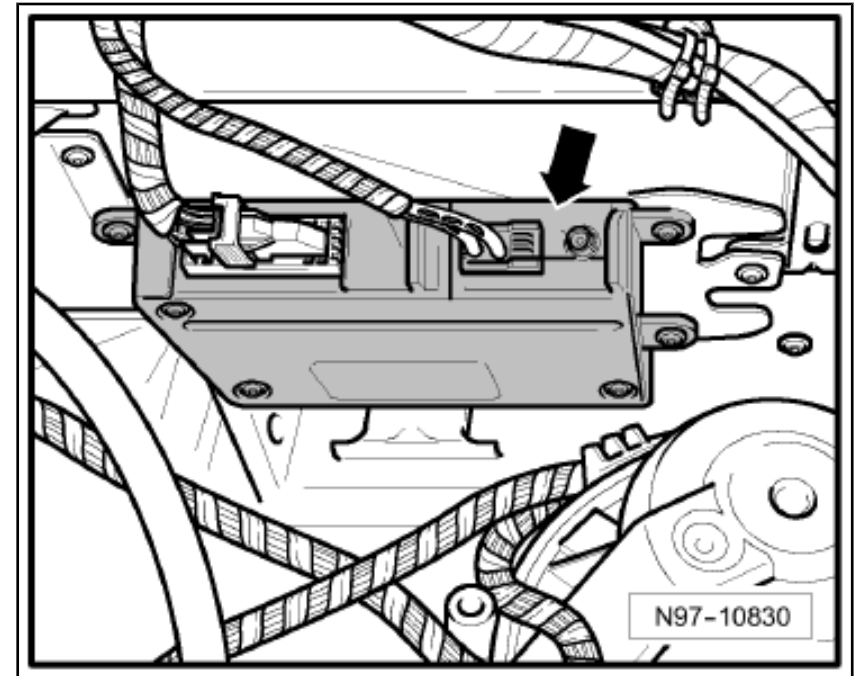
A - Airbag control unit -J234-



1.2.3 Connector

B - 96-pin connector -T96-

1.3 Mobile telephone operating electronics control unit -J412-

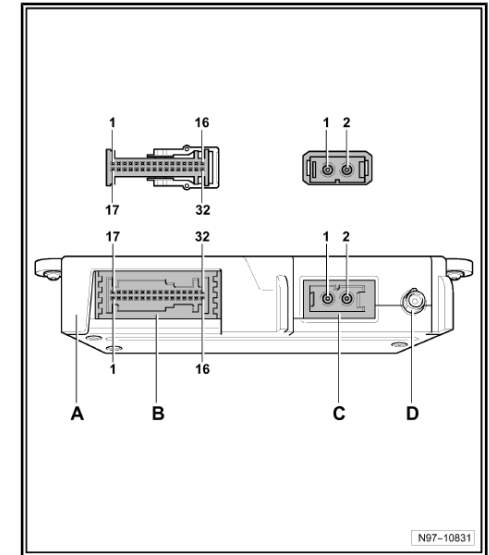


1.3.1 Fitting location

Behind the glove compartment -arrow-

1.3.2 Connector assignment

A - Mobile telephone operating electronics control unit -J412-



1.3.3 Connector

B - 32-pin connector -T32-

C - 2-pin connector -T2-

D - Single connector -T1-

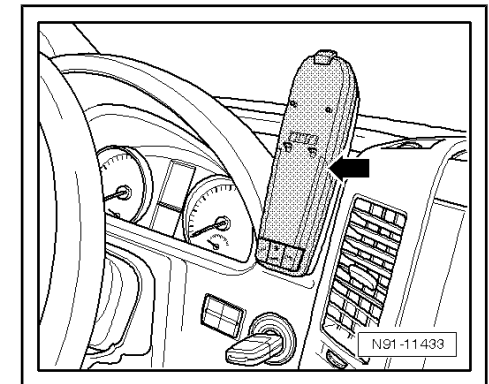
1.3.4 Fitting location

On right next to steering wheel -arrow-

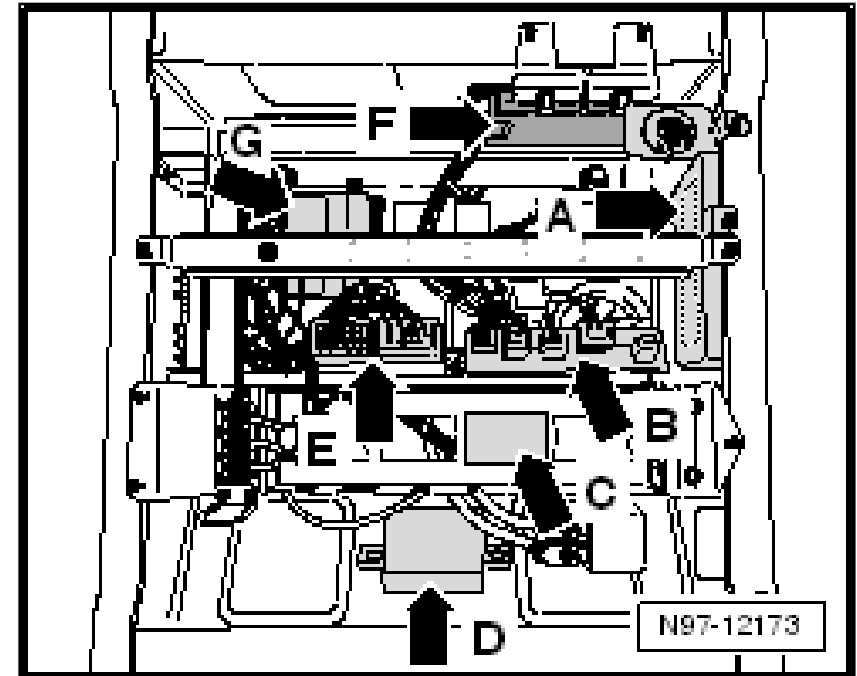


Note:

Only for vehicles without radio system, with preparation for radio or with "RCD 2001" radio system



1.4 Parking aid control unit -J446-

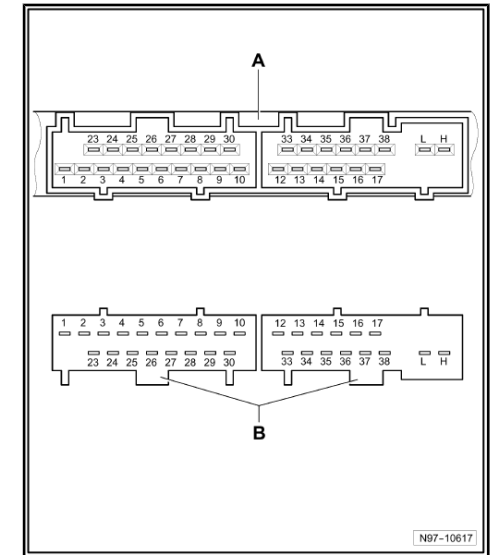


1.4.1 Fitting location

under seat on front left -arrow A-

1.4.2 Connector assignment

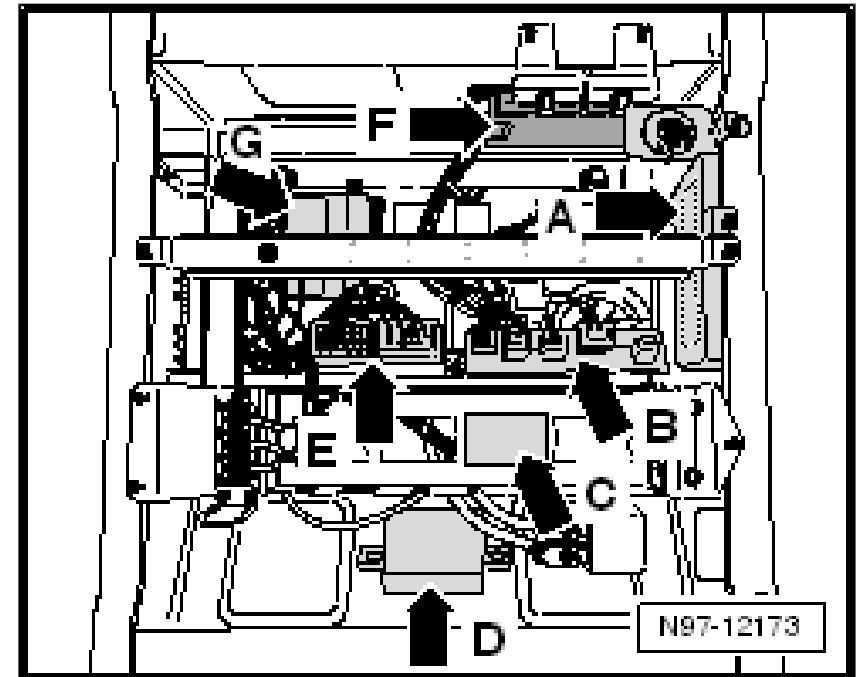
A - Parking aid control unit -J446-



1.4.3 Connector

B - 40-pin connector -T40-

1.5 Trailer detector control unit -J345-

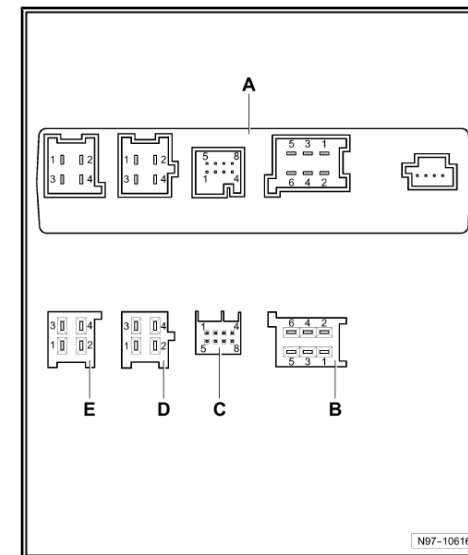


1.5.1 Fitting location

Under seat on front left arrow -B-

1.5.2 Connector assignment

A - Trailer detector control unit -J345-



1.5.3 Connector

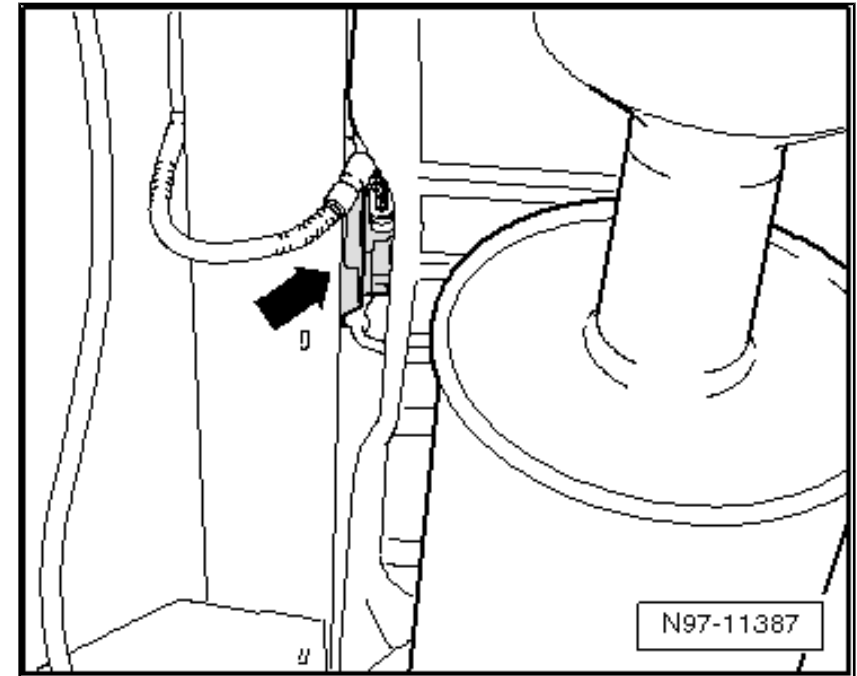
B - 6-pin connector -T6t-

C - 8-pin connector -T8r-

D - 4-pin connector -T4ae-

E - 4-pin connector -T4ad-

1.6 Control unit for NOx sender -J583-



1.6.1 Fitting location

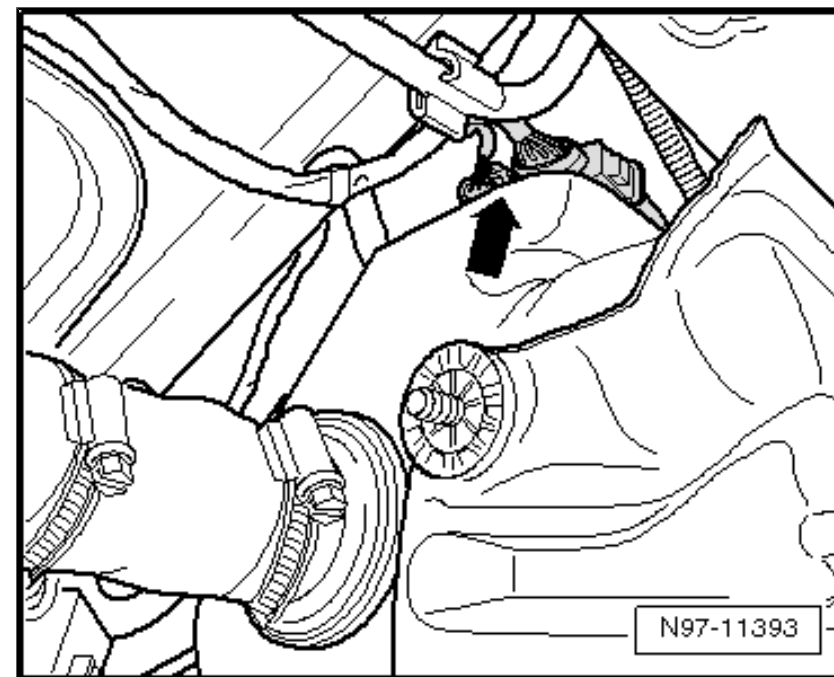
On right longitudinal member -arrow-



Note:

From November 2013, ⇒ Fitting locations: Control units in engine compartment

1.7 Control unit for reducing-agent heater -J891-



1.7.1 Fitting location (panel van / kombi)

on the reducing agent tank -arrow-



Note:

From November 2013, => Fitting locations: Control units in engine compartment

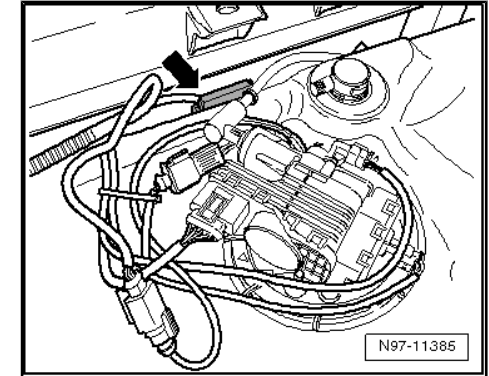
1.7.2 Fitting location platform/double cab

beside the reducing agent tank -arrow-

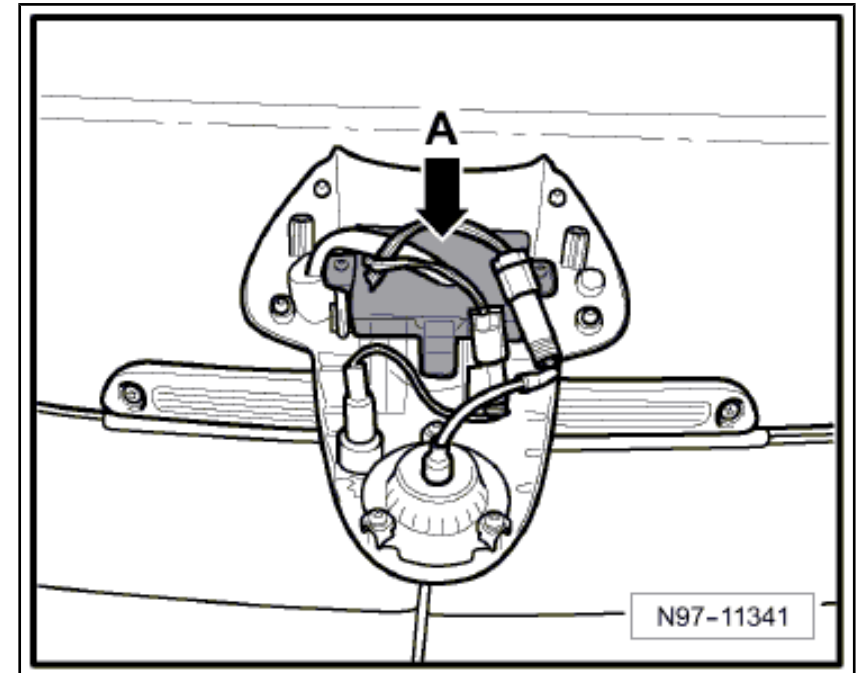


Note:

From November 2013, => Fitting locations: Control units in engine compartment



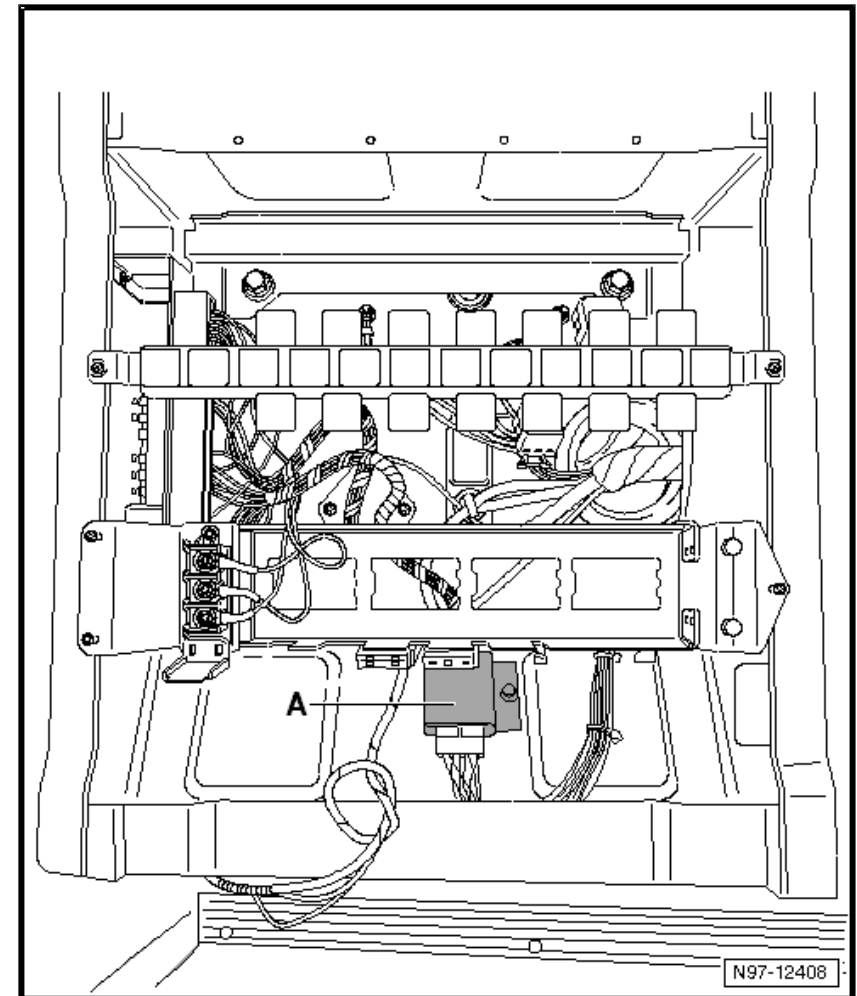
1.8 Reversing camera system control unit -J772-



1.8.1 Fitting location

under the reversing camera cover, on the roof, rear centre -arrow A-

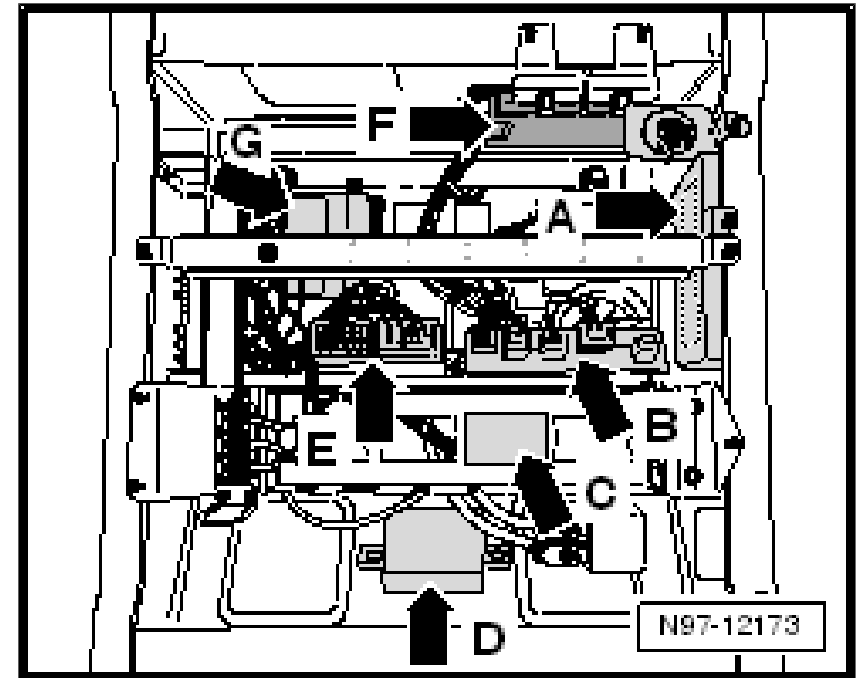
1.9 Compressed air compressor protection control unit -J1013-



1.9.1 Fitting location

under seat on front left -A-

1.10 Turn signal relay for roof mounted turn signals -J436-

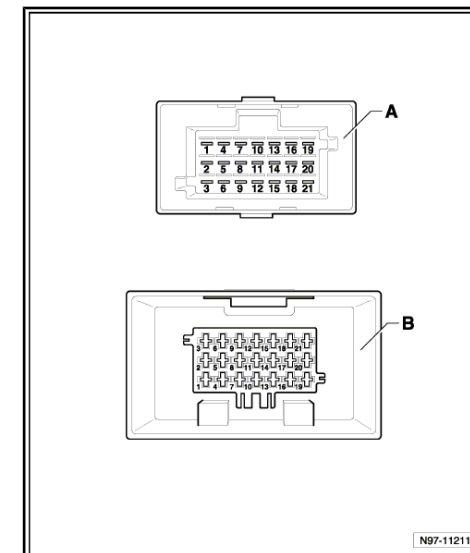


1.10.1 Fitting location

Under seat on front left -arrow C-

1.10.2 Connector assignment

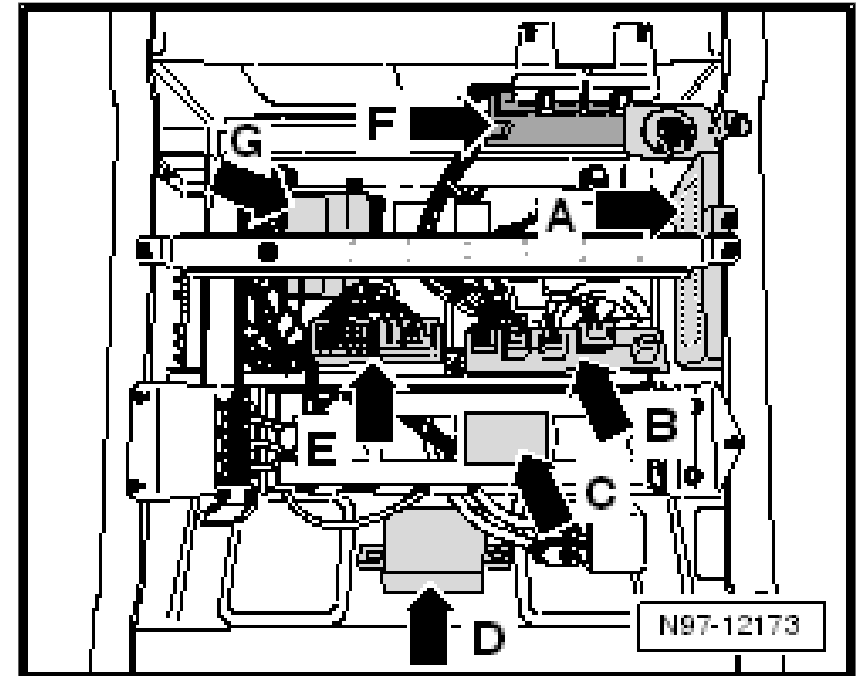
A - Turn signal relay for roof mounted turn signals -J436-



1.10.3 Connector

B - 21-pin connector -T21b-

1.11 Tyre Pressure Monitoring System control unit -J502-



1.11.1 Fitting location

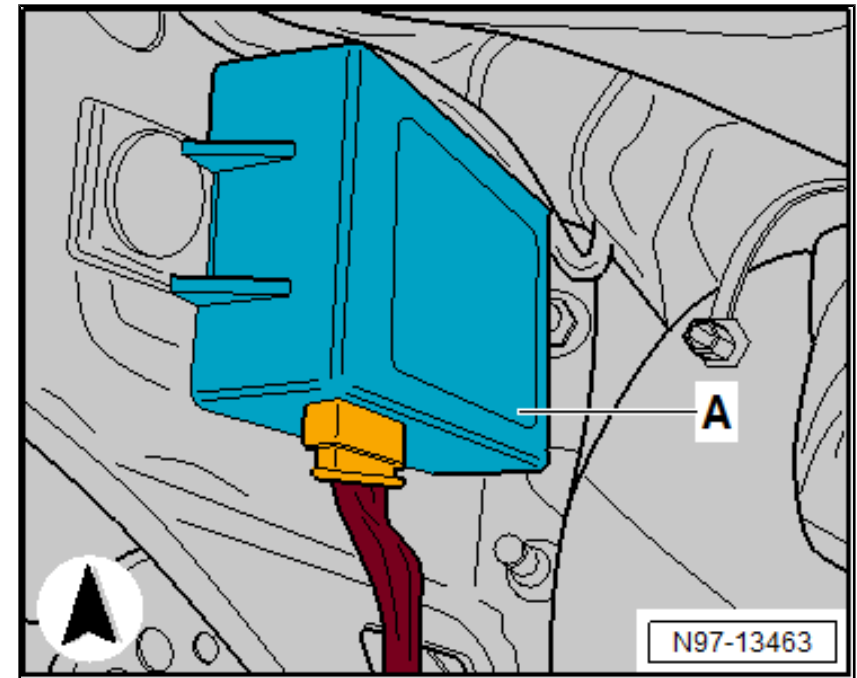
Under seat on front left -arrow D-



Note:

only models up to April 2014

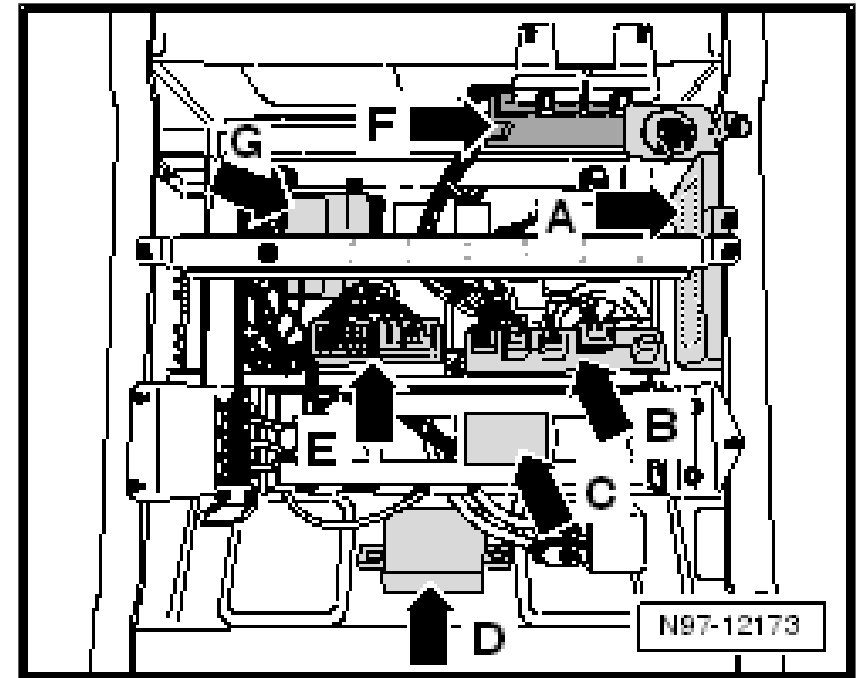
1.11.2 Tyre Pressure Monitoring System control unit -J502- (from May 2014)



1.11.3 Fitting location

On steering column -arrow A-

1.12 Control unit for programmable special functions -J820-

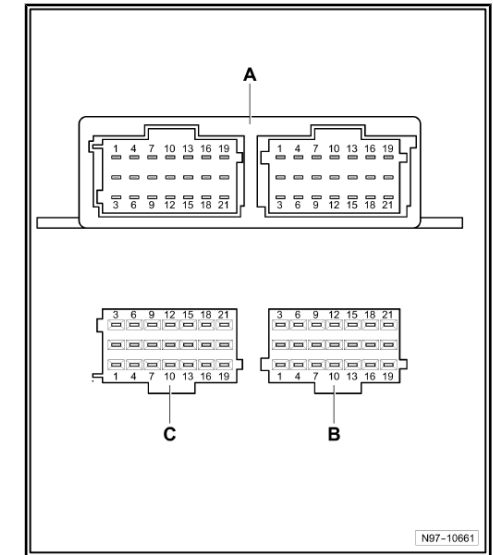


1.12.1 Fitting location

Under seat on front left -arrow E-

1.12.2 Connector assignment

A - Control unit for programmable special functions -J820-

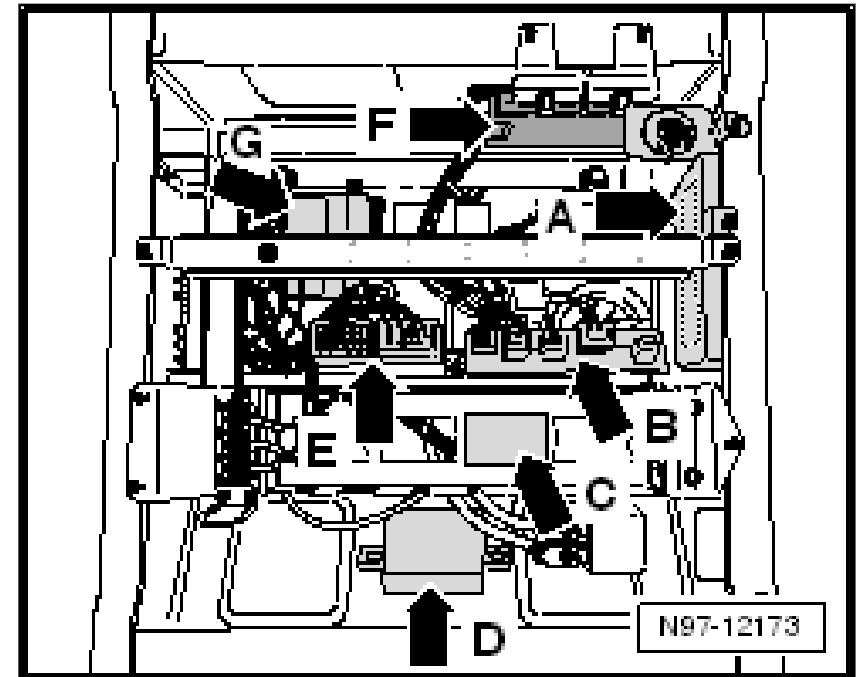


1.12.3 Connector

B - 21-pin connector -T21-

C - 21-pin connector -T21a-

1.13 Automated manual gearbox control unit -J514-

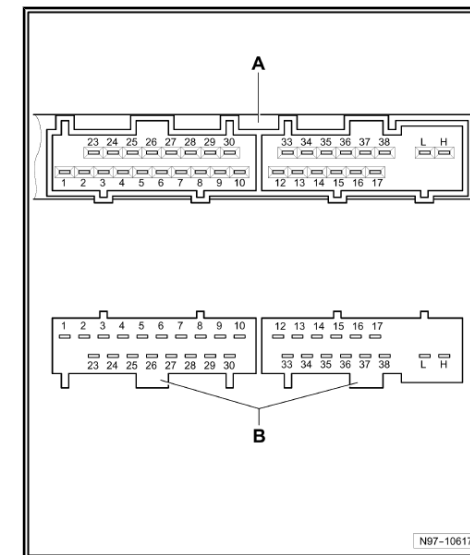


1.13.1 Fitting location

Under seat on front left -arrow F-

1.13.2 Connector assignment

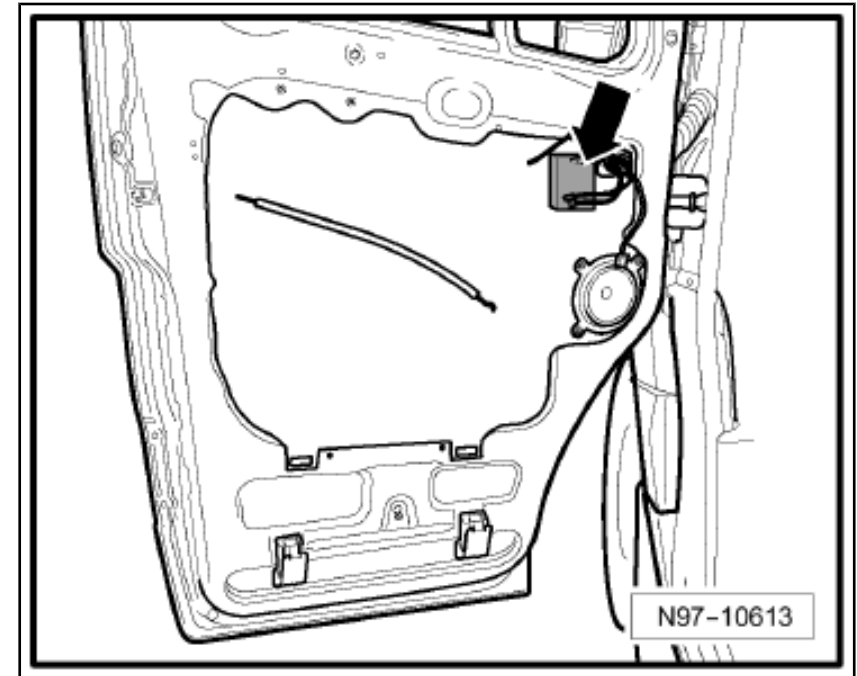
A - Automated manual gearbox control unit -J514-



1.13.3 Connector

B - 41-pin connector -T41a-

1.14 Driver door control unit -J386-

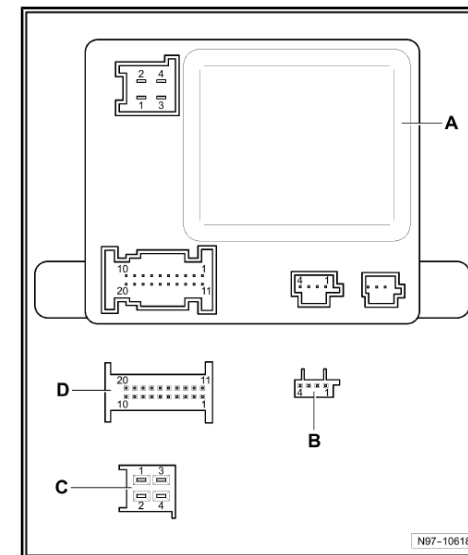


1.14.1 Fitting location

In front left door -arrow-

1.14.2 Connector assignment

A - Driver door control unit -J386-



1.14.3 Connector

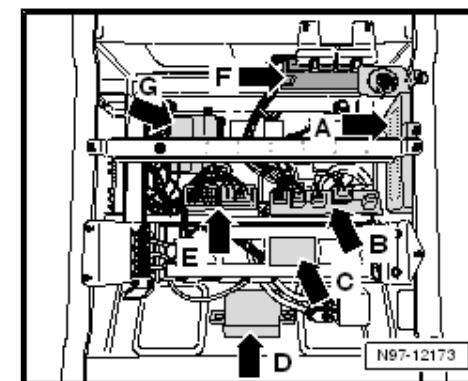
B - 4-pin connector -T4e-

C - 4-pin connector -T4p-

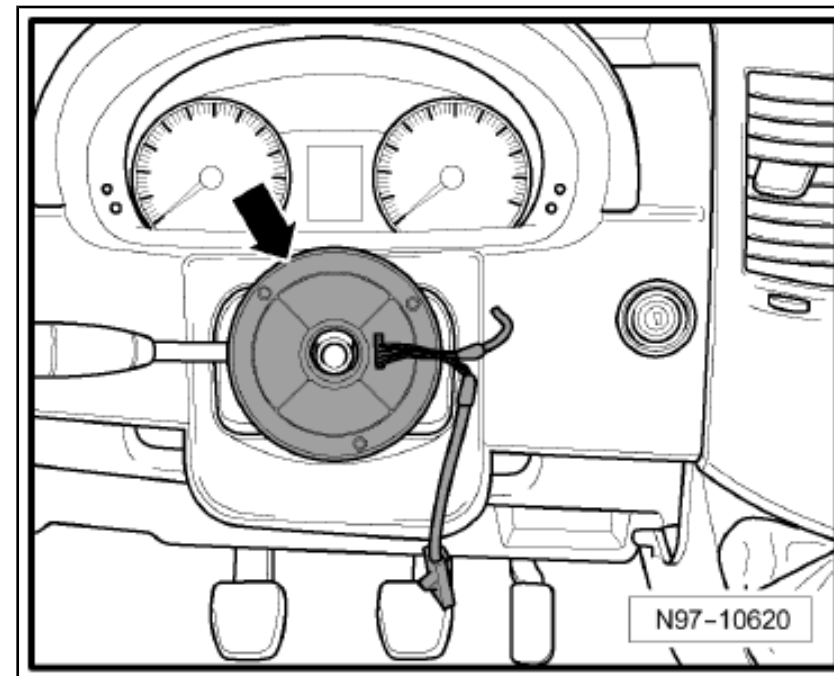
D - 20-pin connector -T20-

1.15 Battery regulation control unit -J840-

Under seat on front left -arrow G-



1.16 Steering column electronics control unit -J527-

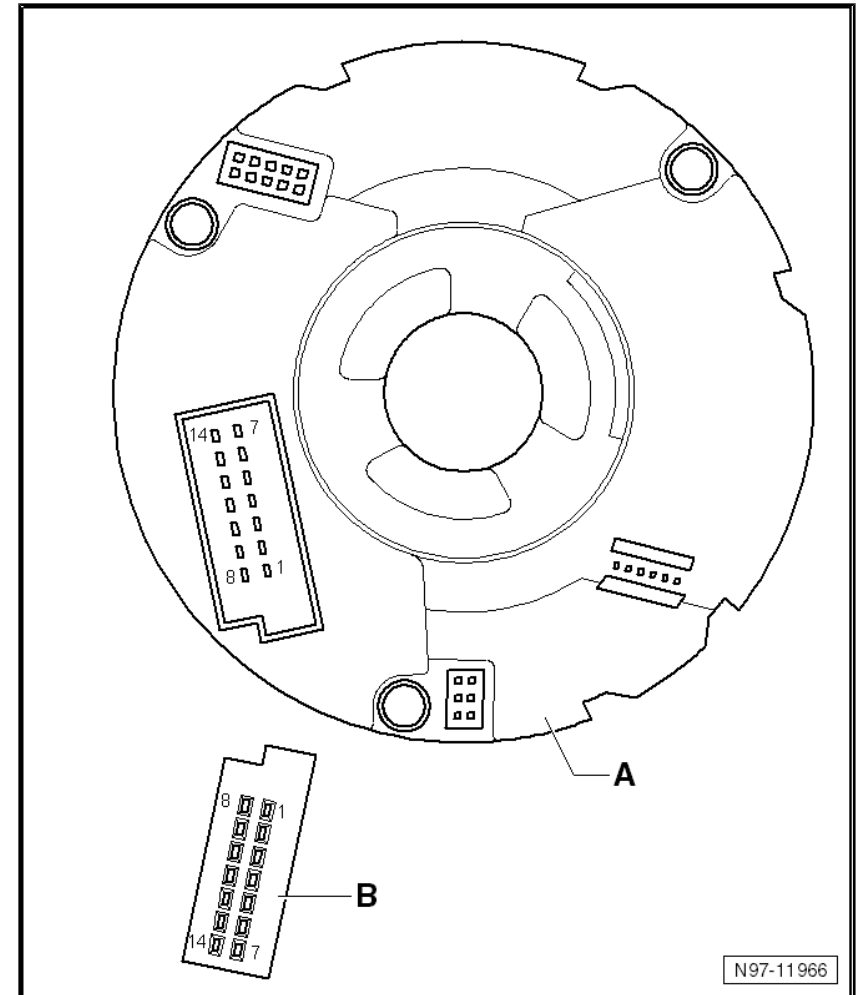


1.16.1 Fitting location

On steering column -arrow-

1.16.2 Connector assignment

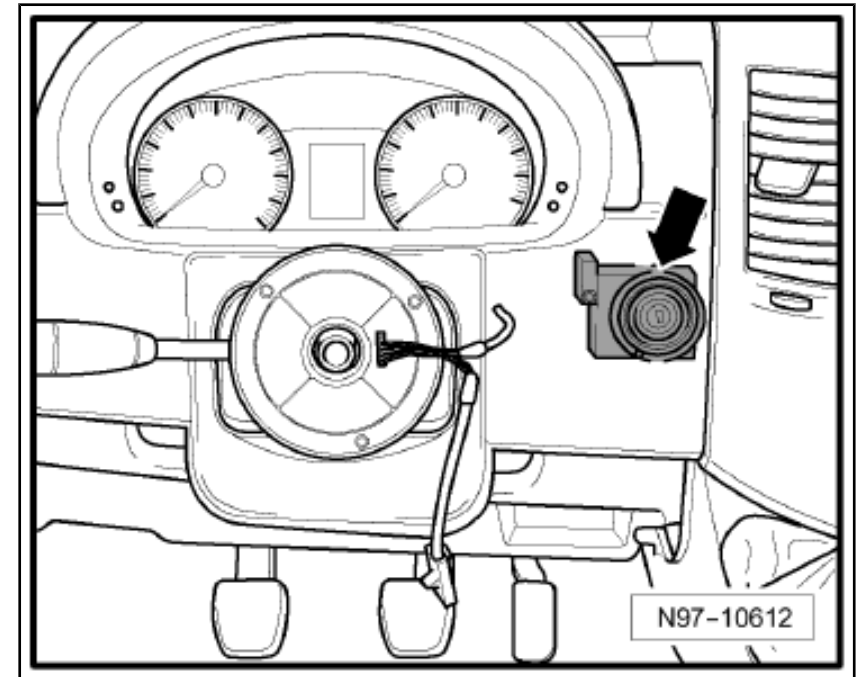
A - Steering column electronics control unit -J527-



1.16.3 Connector

B - 14-pin connector -T14-

1.17 Electronic ignition lock -D9-

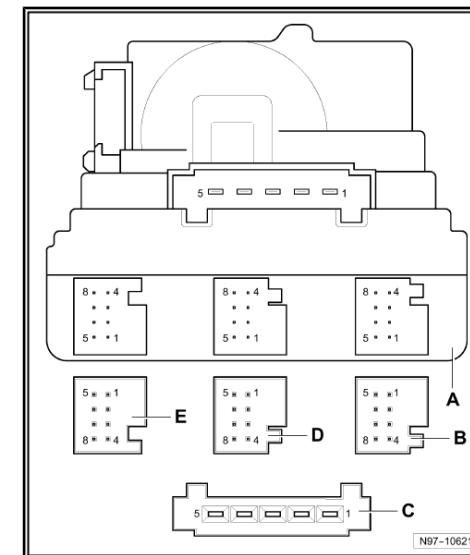


1.17.1 Fitting location

On right next to steering wheel -arrow-

1.17.2 Connector assignment

A - Electronic ignition lock -D9-



1.17.3 Connector

B - 8-pin connector -T8e-

C - 5-pin connector -T5a-

D - 8-pin connector -T8d-

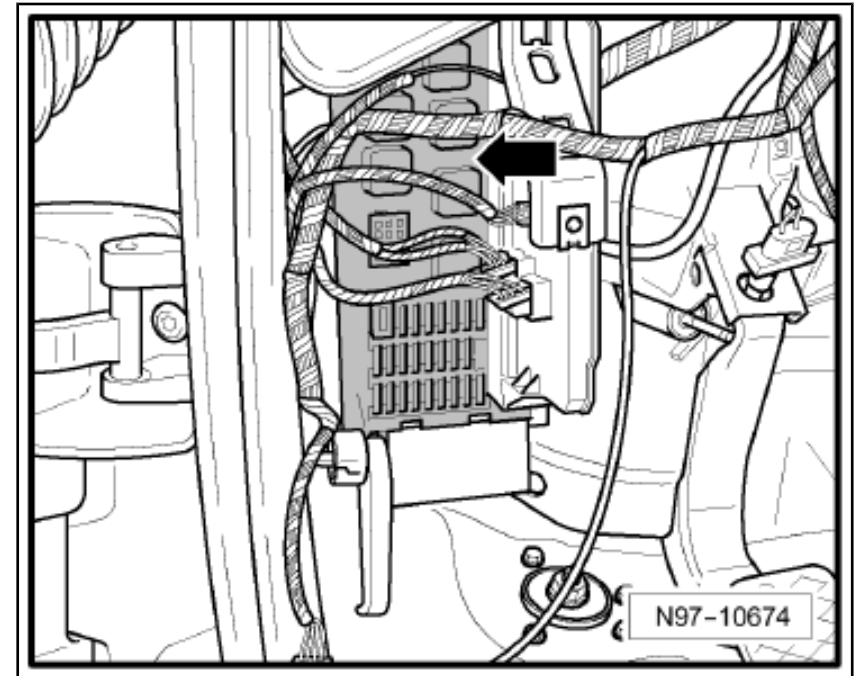
E - 8-pin connector -T8c-



Note:

T8e connector, only models without ESP

1.18 Fuse and relay unit



1.18.1 Fitting location

Left under the dash panel -arrow-

1.18.4 Single connector -T1ab- , (H2) -B-

- 1 - Terminal 30 voltage supply

1.18.5 Single connector -T1ac- , (H4) -C-

- 1 - Terminal 30 voltage supply

1.18.6 18-pin connector -T18f- , (H1) -D-

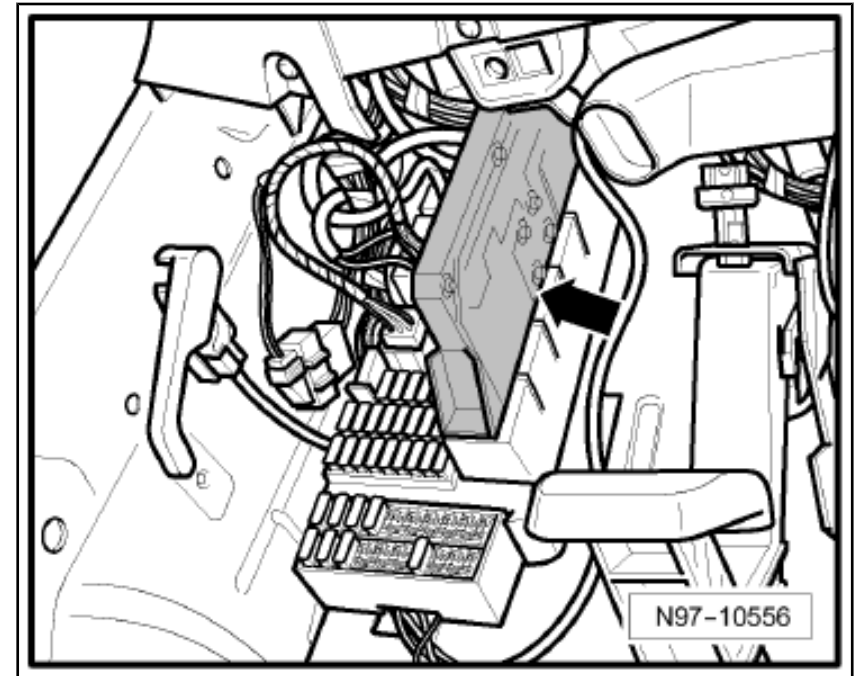
- 1 - Starter -B-
- 2 - Fuel system pressurisation pump -G6-
- 3 - Windscreen wiper motor -V-
- 4 - Not assigned
- 5 - Main switch for stop/start system -E101- , gearbox neutral position switch -F365- , oil level and oil temperature sender -G266- , continued coolant circulation relay -J151- , automatic glow period control unit -J179- , charge pressure control solenoid valve -N75- , coolant circuit valve -N214- , fuel metering valve -N290- , exhaust gas recirculation cooler changeover valve -N345- (up to October 2007), lambda probe heater -Z19-
- 6 - Windscreen wiper motor -V-
- 7 - Engine control unit -J623-
- 8 - Terminal 31
- 9 - Not assigned
- 10 - Not assigned
- 11 - Fuse 6 on fuse holder B -SB6-
- 12 - Airbag control unit -J234-
- 13 - Fuel pressure regulating valve -N276-
- 14 - Not assigned
- 15 - Airbag control unit -J234-
- 16 - Treble horn -H2-
- 17 - Relief relay 2 for terminal 15 -J817- , fuse 1 on fuse holder D -SD1- (vehicle class 3.8 t only), fuse 2 on fuse holder D -SD2- (vehicle class 3.8 t only)
- 18 - Brake light switch -F- , brake pedal switch -F63- , ABS control unit -J104-

1.18.7 15-pin connector -T15- , (C1) -E-

- 1 - 12 V socket -U5-
- 2 - Electronic ignition lock -D9- , ESL control unit -J764-

- 3 - Glove compartment light switch -E26- , tail lift switch -E629- , cigarette lighter -U1-
- 4 - Electronic ignition lock -D9- , dash panel insert -K-
- 5 - Not assigned
- 6 - Light switch -E1- , centre operating unit for dash panel -J819-
- 7 - Steering column electronics control unit -J527-
- 8 - Light switch -E1- , dash panel insert -K-
- 9 - Not assigned
- 10 - Not assigned
- 11 - Heater/heat output switch -E16-
- 12 - Horn plate -H-
- 13 - Not assigned
- 14 - Not assigned
- 15 - Dash panel insert -K-

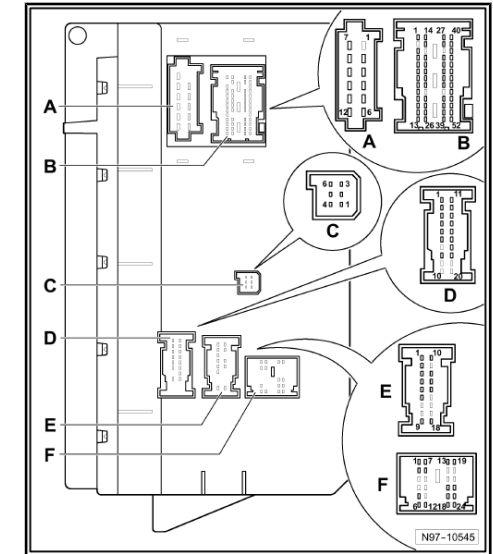
1.19 Onboard supply control unit -J519-



1.19.1 Fitting location

Left under the dash panel -arrow-

1.19.2 Connector assignment



1.19.3 12-pin connector -T12g- , (X7) -A-

- 1 - Not assigned
- 2 - Right fog light bulb -L23-
- 3 - Left main beam bulb -L125-
- 4 - Right headlight dipped beam bulb -M31-
- 5 - Left fog light bulb -L22-
- 6 - Right main beam bulb -L126-
- 7 - Front passenger side window regulator motor -V148-
- 8 - Not assigned
- 9 - Front passenger side window regulator motor -V148-
- 10 - Left headlight dipped beam bulb -M29-
- 11 - Right sliding door central locking motor -V58- , left sliding door central locking motor -V95- , Rear wing door central locking motor -V96- , rear right door central locking motor -V97- (double cab only), rear left door central locking motor -V115- (double cab only)
- 12 - Right sliding door central locking motor -V58- , left sliding door central locking motor -V95- , Rear wing door central locking motor -V96- , rear right door central locking motor -V97- (double cab), rear left door central locking motor -V115- (double cab)

1.19.4 52-pin connector -T52- , (X9) -B-

- 1 - Heated rear window relay -J9-
- 2 - Heated rear window relay 2 -J868-
- 3 - Rear left door contact switch for sliding door or side door -F176-
- 4 - Rear left central locking lock unit -F222-
- 5 - Turn signal relay for roof mounted turn signals -J436-
- 6 - Brake pad wear sender
- 7 - Not assigned
- 8 - Not assigned
- 9 - Right side light bulb -M3-
- 10 - Not assigned
- 11 - Washer pump -V5-
- 12 - Driver side turn signal repeater bulb in exterior mirror -L131-
- 13 - Front left turn signal bulb -M5-
- 14 - Front right window regulator switch -E41-
- 15 - Brake fluid level warning contact -F34-
- 16 - Not assigned
- 17 - Not assigned
- 18 - Brake fluid level warning contact -F34-
- 19 - Front right window regulator switch -E41-
- 20 - Ambient temperature sensor -G17-
- 21 - Coolant shortage indicator sender -G32-
- 22 - Not assigned
- 23 - Left side light bulb -M1-
- 24 - Front right turn signal bulb -M7-
- 25 - Front passenger side turn signal repeater bulb in exterior mirror -L132-
- 26 - Rear window washer pump -V13-
- 27 - Washer fluid warning contact -F77-
- 28 - Coolant shortage indicator sender -G32-

- 29 - Heated windscreen relay -J47-
- 30 - Not assigned
- 31 - Windscreen wiper motor -V-
- 32 - Handbrake warning switch -F9-
- 33 - Ambient temperature sensor -G17-
- 34 - Fuel gauge sender -G-
- 35 - Not assigned
- 36 - Washer fluid warning contact -F77-
- 37 - Not assigned
- 38 - Fuel gauge sender -G-
- 39 - Headlight washer system relay -J39-
- 40 - Brake pad wear sender
- 41 - Rear right door contact switch -F11- (double cab only), rear right central locking lock unit -F223- (panel van / kombi only)
- 42 - Rear right door contact switch for sliding door or side door -F7-
- 43 - Front passenger door contact switch -F3-
- 44 - Not assigned
- 45 - Not assigned
- 46 - Alarm system relay 1 -J460-
- 47 - Battery isolation relay -J7- , relay for special constructions, terminal 61 -J822-
- 48 - Front passenger seat central locking motor -V57-
- 49 - Front passenger door contact switch -F3-
- 50 - Not assigned
- 51 - Convenience CAN, high
- 52 - Convenience CAN, low

1.19.5 6-pin connector -T6ap- , (X2) -C-

- 1 - Front left side marker bulb -M33-
- 2 - Centre left side marker bulb -M39-
- 3 - Rear left side marker bulb -M37-
- 4 - Front right side marker bulb -M34-

5 - Centre right side marker bulb -M40-

6 - Rear right side marker bulb -M38-

1.19.6 20-pin connector -T20d- , (X3) -D-

1 - Left tail light bulb -M4-

2 - Left brake light bulb -M9-

3 - Rear fog light bulb -L20-

4 - High-level brake light bulb -M25-

5 - Rear right door contact switch -F226-

6 - Rear right central locking switch -F347-

7 - Not assigned

8 - Right end-outline marker lamp bulb -M79- (platform and double cab only)

9 - Left vent window motor -V83-

10 - Left vent window motor -V83-

11 - Right brake light bulb -M10-

12 - Right tail light bulb -M2-

13 - Left end-outline marker lamp bulb -M78- (platform and double cab only), number plate light -X- (panel van / kombi)

14 - Reversing camera system control unit -J772- , left reversing light bulb -M16- , right reversing light bulb -M17-

15 - Rear left turn signal bulb -M6-

16 - Rear right turn signal bulb -M8-

17 - Rear right wing door window wiper motor -V93-

18 - Rear left wing door window wiper motor -V92-

19 - Right vent window motor -V84-

20 - Right vent window motor -V84-

1.19.7 18-pin connector -T18g- , (X6) -E-

1 - Roof electronics control unit -J528- , (front interior light) -W1-

2 - Not assigned

3 - Not assigned

4 - Roof electronics control unit -J528-

5 - Elevated side light, front left -M90-

- 6 - Elevated side light, front right -M91-
- 7 - Heated rear window in left wing door -Z26-
- 8 - Interior light relay -J602-
- 9 - Interior lights
- 10 - Interior lights
- 11 - Roof electronics control unit -J528-
- 12 - Not assigned
- 13 - Roof electronics control unit -J528-
- 14 - Not assigned
- 15 - Not assigned
- 16 - Not assigned
- 17 - Heated rear window in right wing door -Z27-
- 18 - Not assigned

1.19.8 24-pin connector -T24- , (X1) -F-

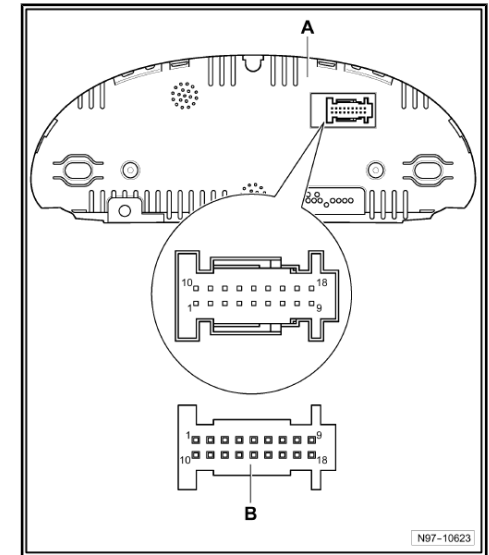
- 1 - Not assigned
- 2 - Switch illumination terminal 58d
- 3 - Not assigned
- 4 - Not assigned
- 5 - Electronic ignition lock -D9-
- 6 - Electronic ignition lock -D9-
- 7 - Not assigned
- 8 - Interior illumination switch -E599- , Interior light with switch-off delay -W15-
- 9 - Not assigned
- 10 - Not assigned
- 11 - Not assigned
- 12 - Interior illumination switch -E599- , Interior light with switch-off delay -W15-
- 13 - Fog light switch -E7-
- 14 - Not assigned
- 15 - Not assigned

- 16 - Light switch -E1-
- 17 - Light switch -E1-
- 18 - Light switch -E1-
- 19 - Not assigned
- 20 - Not assigned
- 21 - Not assigned
- 22 - Reversing light switch -F4-
- 23 - Light switch -E1-
- 24 - Light switch -E1-

1.20 Dash panel insert -K-

1.20.1 Connector assignment

A - Dash panel insert -K-



1.20.2 18-pin connector -T18a- -B-

- 1 - Terminal 31
- 2 - Oil pressure switch -F1-
- 3 - Bonnet contact switch -F266-
- 4 - Terminal 30 voltage supply
- 5 - Not assigned

- 6 - Voltage supply terminal 15a
- 7 - Speedometer sender -G22- (speed signal, models without ABS only)
- 8 - Speedometer sender -G22- (speed signal, models without ABS only)
- 9 - Speed signal (control units without CAN comfort system)
- 10 - Not assigned
- 11 - Not assigned
- 12 - Powertrain CAN, low
- 13 - Powertrain CAN, high
- 14 - Brake pedal switch -F63-
- 15 - Brake light switch -F-
- 16 - Not assigned
- 17 - Convenience CAN, low
- 18 - Convenience CAN, high

1 Coupling stations and connectors of wiring harnesses (front of vehicle)

1.1 Overview of coupling stations and connectors

1 - Coupling station on bumper front left

- Connector, -T8s-
- Fitting location ⇒ [page 4](#)

2 - Coupling station on centre lock carrier

- Connector, -T2go-
- Fitting location ⇒ [page 4](#)

3 - Coupling station on left of cylinder head

- Connector, -T3b, T8g-
- Fitting location ⇒ [page 4](#)

4 - Coupling station on right of cylinder head

- Connector, -T2b, T6-
- Fitting location ⇒ [page 5](#)

5 - Coupling station on lower part of right of lock carrier

- Connector, -T4ac-
- Fitting location ⇒ [page 5](#)

6 - Coupling station on lower part of right engine

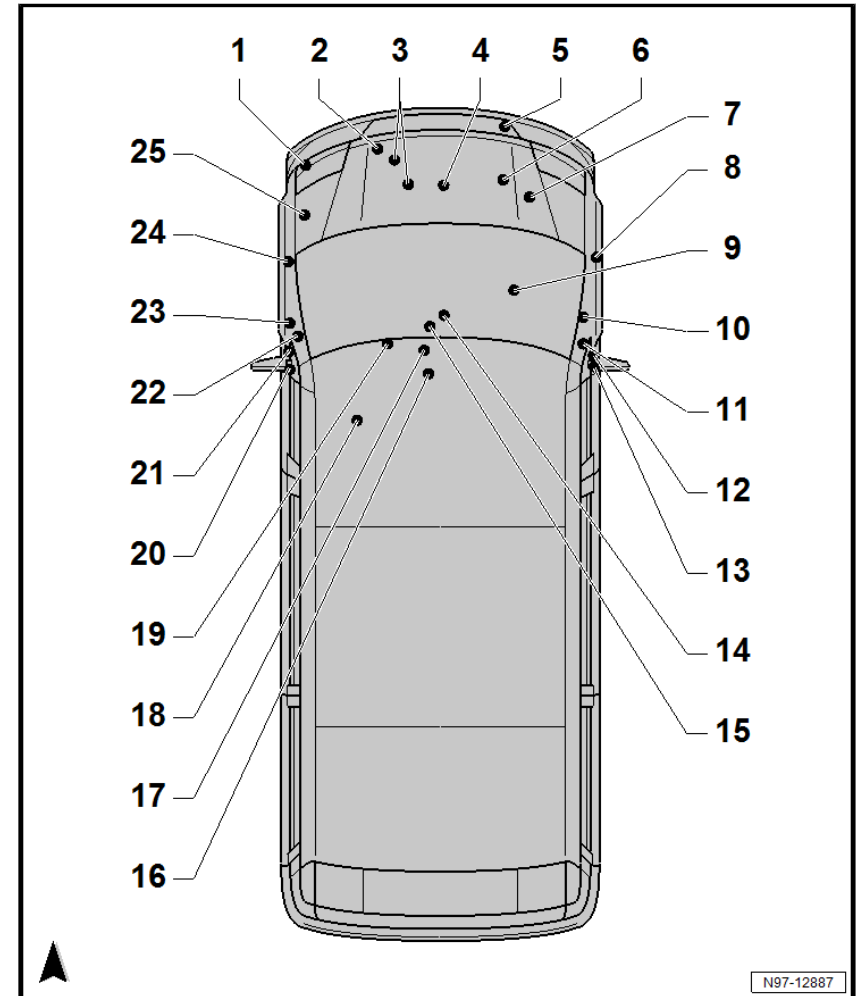
- Connector, -T2a, T2c-
- Fitting location ⇒ [page 5](#)

7 - Coupling station on right of bulkhead

- 6-pin connector -T6ar-
- Fitting location ⇒ [page 6](#)
- 2-pin connector -T2c-
- Fitting location ⇒ [page 6](#)

8 - Coupling station in front right wheel housing

- Connector, -T2u, T2ad-
- Fitting location ⇒ [page 6](#)



9 - Coupling station below the dash panel on right

- Connector, -T1, T1b-
- Fitting location ⇒ [page 7](#)

10 - Coupling station on lower part of right A-pillar

- Connector, -T4ag, T10, T18-
- 28-pin connector -T28- (from April 2011, on lower section of left A-pillar)
- Fitting location ⇒ [page 7](#)

11 - CAN bus wiring junction on lower part of right A-pillar

- Wiring junction for bus systems -TV25, TV26, TV27, TV48, TV49-
- Fitting location up to May 2013 ⇒ [page 8](#)
- Fitting location from May 2013 ⇒ [page 11](#)

12 - Coupling station in right A-pillar

- Connector, -T2ah, T4r, T10e, T10g-
- Fitting location ⇒ [page 13](#)

13 - Coupling station on right exterior mirror

- Connector, -T6d, T6w-
- Fitting location ⇒ [page 14](#)

14 - Coupling station on centre dash panel

- Connector, -T2e-
- Fitting location ⇒ [page 14](#)

15 - Coupling station lower centre console

- Connector, -T14b-
- Fitting location ⇒ [page 14](#)

16 - Coupling station behind front interior light

- Connector, -T1f, T1g, T1k, T2f-
- Fitting location ⇒ [page 15](#)

17 - Coupling station behind the ashtray

- Connector, -T3u-
- Fitting location ⇒ [page 15](#)

18 - electrical terminal strip for external use, under the driver's seat

- Electrical terminal strip for external use -TV65-
- Fitting location ⇒ [page 15](#)

19 - Coupling station under the dash panel, upper left

- Connector, -T2g, T10i-
- Fitting location ⇒ [page 16](#)

20 - Coupling station on left exterior mirror

- Connector, -T6c, T6v-
- Fitting location ⇒ [page 16](#)

21 - Coupling station in the left A-pillar

- Connector, -T3v, T4f, T4g, T10f-
- Fitting location ⇒ [page 16](#)

22 - CAN bus wiring junction on lower part of left A-pillar

- Wiring junction 4 for bus systems -TV30-
- Fitting location up to May 2013 ⇒ [page 17](#)

23 - Coupling station on lower part of left A-pillar

- Connector, -T1e, T6y-
- 28-pin connector -T28a- up to March 2011
- 28-pin connector -T28- from April 2011
- Fitting location ⇒ [page 18](#)

24 - Coupling station in front left wheel housing

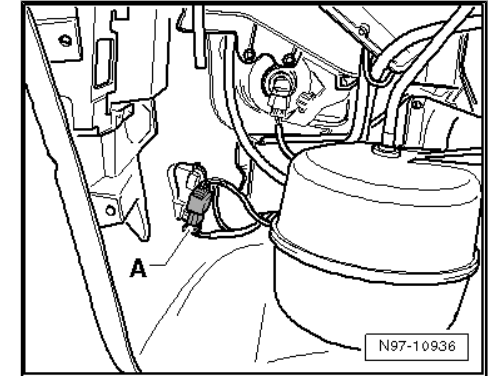
- Connector, -T2t, T2ac-
- Fitting location ⇒ [page 18](#)

25 - Coupling station in engine compart., left

- Connector, -T3, T8, T8a, T9-
- Fitting location ⇒ [page 18](#)

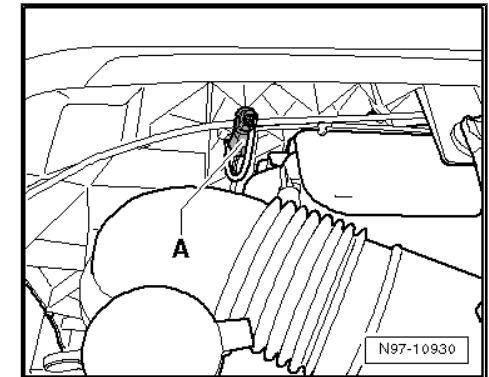
1.2 Coupling station on bumper front left

A - 8-pin connector -T8s- , black, behind front bumper on left



1.3 Coupling station on centre lock carrier

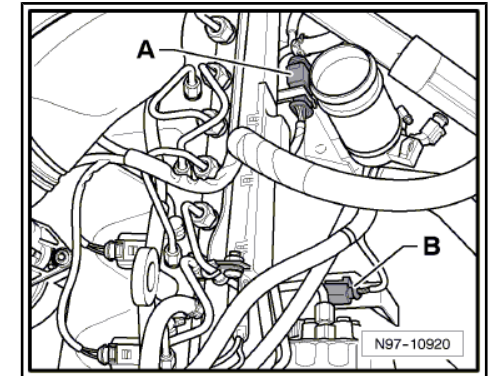
A - 2-pin connector -T2go- , black, on top middle lock carrier



1.4 Coupling station on left of cylinder head

A - 8-pin connector -T8g- , black (glow plugs)

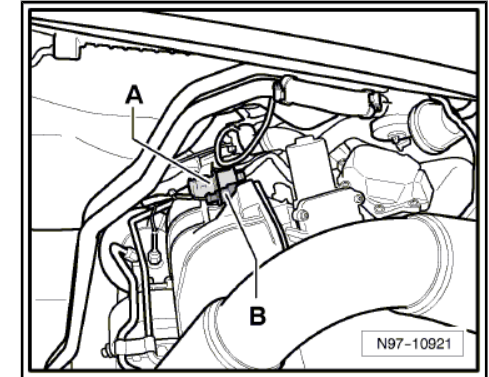
B - 3-pin connector -T3b- , black (camshaft Hall sender)



1.5 Coupling station on right of cylinder head

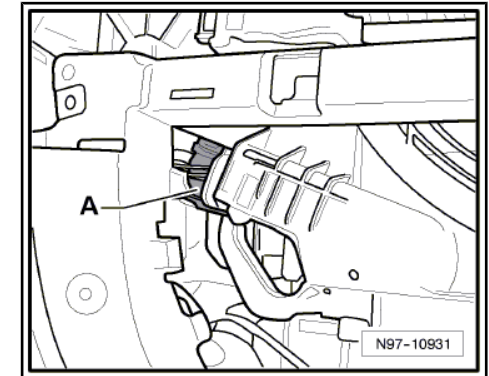
A - 6-pin connector -T6- , brown - black, on right of cylinder head, near bulkhead (Lambda probe)

B - 2-pin connector -T2b- , brown, on right of cylinder head, near bulkhead (temperature sender before particulate filter)



1.6 Coupling station on lower part of right of lock carrier

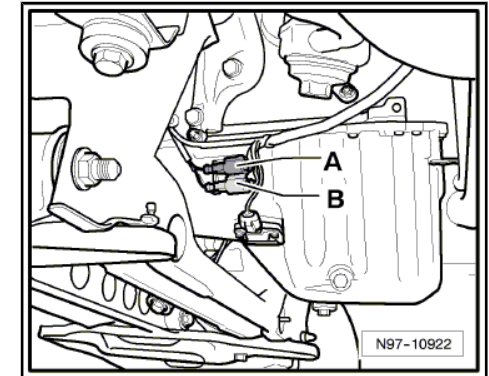
A - 4-pin connector -T4ac- , black (radiator fan control unit)



1.7 Coupling station on lower part of right engine

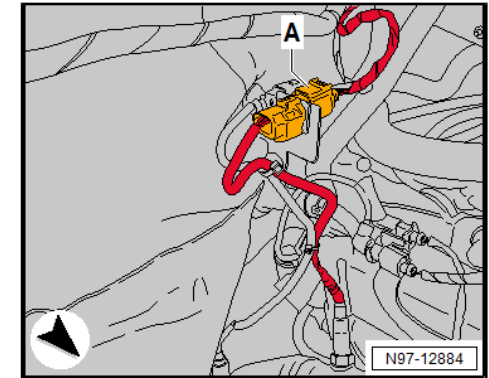
A - 2-pin connector -T2a- , brown, on right of engine oil sump (temperature sender after particulate filter)

B - 2-pin connector -T2c- , black, on right of engine oil sump (Exhaust gas temperature sender 1 before exhaust turbocharger)

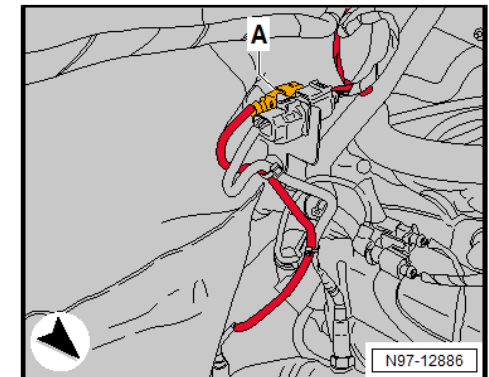


1.8 Coupling station on right of bulkhead

A - 6-pin connector -T6ar- , black



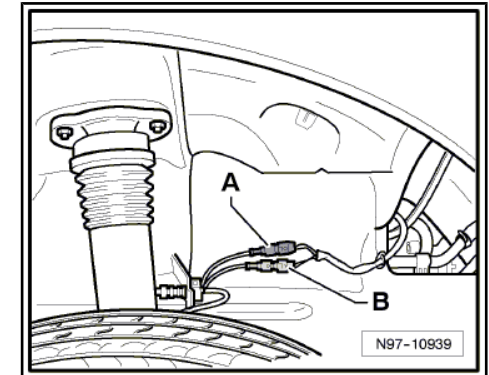
A - 2-pin connector -T2c- , black



1.9 Coupling station in front right wheel housing

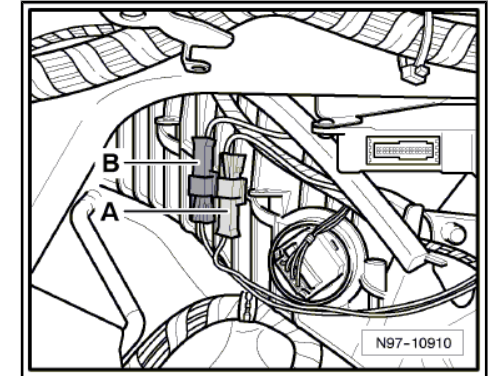
A - 2-pin connector -T2ad- , black - blue (speed sensor)

B - 2-pin connector -T2u- , black (brake pad wear indicator sensor)



1.10 Coupling station below the dash panel on right

- A - Single connector -T1- , black, in glove compartment area
- B - Single connector -T1b- , black, in glove compartment area

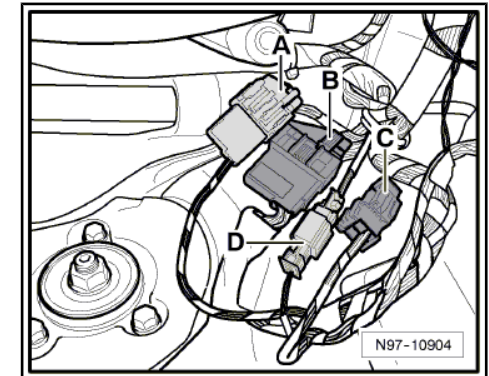


1.11 Coupling station on lower part of right A-pillar

- A - 18-pin connector -T18- , black
- B - 28-pin connector -T28- , black
- C - 10-pin connector -T10- , black
- D - 4-pin connector -T4ag- , black

 Note

Fitting location of 28-pin connector -T28- from April 2011, on lower section of left A-pillar.

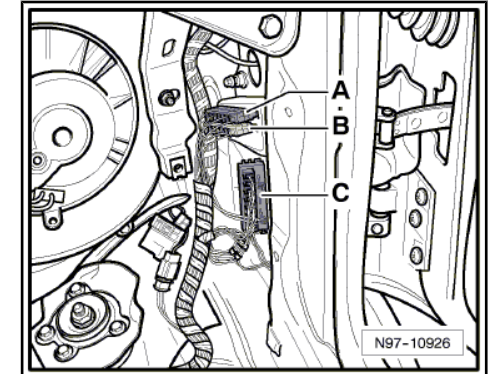


1.12 CAN bus wiring junction on lower part of right A-pillar (until May 2013)

A - Wiring junction 3 for bus systems -TV25-

Connector designator		Component
2-pin connector -T2ca-	X30/24.1	Onboard supply control unit -J519-
2-pin connector -T2cb-	X30/24.2	Wiring junction 2 for bus systems -TV27-
2-pin connector -T2cc-	X30/24.3	Airbag control unit -J234-
2-pin connector -T2cd-	X30/24.4	Driver door control unit -J386-
2-pin connector -T2ce-	X30/24.5	Trailer detector control unit -J345-
2-pin connector -T2cf-	X30/24.6	Auxiliary heater control unit -J364-
2-pin connector -T2cg-	X30/24.7	Control unit 2 for supplementary heating -J824- <ul style="list-style-type: none"> only models with 2nd auxiliary coolant heater
2-pin connector -T2ch-	X30/24.8	Control unit for programmable special functions -J820-
2-pin connector -T2ci-	X30/24.9	Parking aid control unit -J446-
2-pin connector -T2ck-	X30/24.11	Wiring junction 4 for bus systems -TV30-

B - Wiring junction 2 for bus systems -TV27-



Connector designator		Component
2-pin connector -T2ea-	X30/25.1	Wiring junction 3 for bus systems -TV25-
2-pin connector -T2eb-	X30/25.2	Electronic ignition lock -D9-
2-pin connector -T2ec-	X30/25.3	Control unit in dash panel insert -J285-
2-pin connector -T2ed-	X30/25.4	Centre operating unit for dash panel -J819-
2-pin connector -T2ef-	X30/25.6	Heater/heat output switch -E16- <ul style="list-style-type: none"> • Only models with no air conditioning system
2-pin connector -T2ef-	X30/25.6	Air conditioning system control unit -J301-
2-pin connector -T2eg-	X30/25.7	Radio -R-
2-pin connector -T2eg-	X30/25.7	Control unit with display for radio and navigation -J503-
2-pin connector -T2eh-	X30/25.8	Mobile telephone operating electronics control unit -J412- <ul style="list-style-type: none"> • From November 2008

C - Wiring junction 1 for bus systems -TV26-

Connector designator	4-cylinder engine	5-cylinder engine	Component
3-pin connector -T3e-	X30/27.1	X30/45.1	Engine control unit -J623-
2-pin connector -T2fa-	X30/27.2	X30/45.2	Control unit in dash panel insert -J285-
2-pin connector -T2fb-	X30/27.3	X30/45.3	Electronic ignition lock -D9-
2-pin connector -T2fc-	X30/27.4	X30/45.4	ABS control unit -J104-
2-pin connector -T2fd-	X30/27.5	X30/45.5	Lateral acceleration sender -G200- Longitudinal acceleration sender -G251-
2-pin connector -T2fe-	X30/27.6	X30/45.6	Steering column electronics control unit -J527-
2-pin connector -T2ff-	X30/27.7	X30/45.7	Tachograph control unit -J621-
2-pin connector -T2fg-	X30/27.8	X30/45.8	Automated manual gearbox control unit -J514-
2-pin connector -T2fk-		X30/45.13	Battery regulation control unit -J840-

1.13 CAN bus wiring junction on lower part of right A-pillar (after May 2013)

A - Wiring junction 5 for bus systems -TV48-

Connector designator		Component
2-pin connector -T2ia-	X30/50.1	Wiring junction 1 for bus systems -TV26-
2-pin connector -T2ih-	X30/50.8	Parking aid control unit -J446- from May 2013

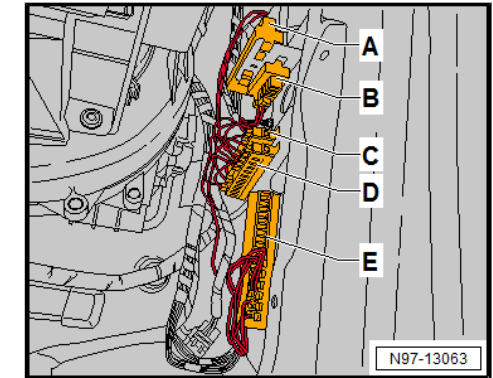
B - Wiring junction 6 for bus systems -TV49-

Connector designator		Component
3-pin connector -T3ay-	X30/41.1	Engine control unit -J623-
2-pin connector -T2ja-	X30/41.2	Control unit for NOx sender -J583-
2-pin connector -T2jb-	X30/41.3	Control unit for NOx sender 2 -J881-

C - Wiring junction 4 for bus systems -TV30-

Connector designator		Component
2-pin connector -T2da-	X30/26.1	Wiring junction 3 for bus systems -TV25-
2-pin connector -T2dd-	X30/26.4	Tyre Pressure Monitoring System control unit -J502-
2-pin connector -T2dg-	X30/26.7	Battery regulation control unit -J840- <ul style="list-style-type: none"> • only models with stop/start system • from April 2011

D - Wiring junction 3 for bus systems -TV25-



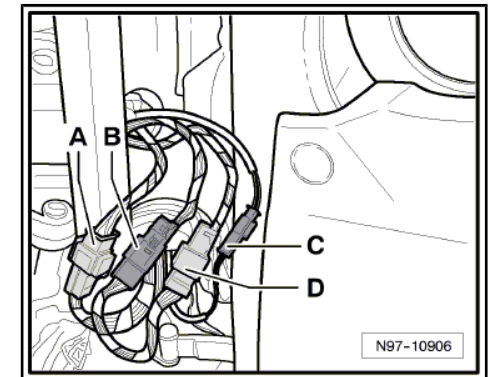
Connector designator		Component
2-pin connector -T2ca-	X30/24.1	Onboard supply control unit -J519-
2-pin connector -T2cb-	X30/24.2	Wiring junction 2 for bus systems -TV27-
2-pin connector -T2cc-	X30/24.3	Airbag control unit -J234-
2-pin connector -T2cd-	X30/24.4	Driver door control unit -J386-
2-pin connector -T2ce-	X30/24.5	Trailer detector control unit -J345-
2-pin connector -T2cf-	X30/24.6	Auxiliary heater control unit -J364-
2-pin connector -T2cg-	X30/24.7	Control unit 2 for supplementary heating -J824- <ul style="list-style-type: none"> • only models with 2nd auxiliary coolant heater
2-pin connector -T2ch-	X30/24.8	Control unit for programmable special functions -J820-
2-pin connector -T2ci-	X30/24.9	Parking aid control unit -J446-
2-pin connector -T2ck-	X30/24.11	Wiring junction 4 for bus systems -TV30-

E - Wiring junction 1 for bus systems -TV26-

Connector designator		Component
3-pin connector -T3e-	X30/45.1	Engine control unit -J623-
2-pin connector -T2fa-	X30/45.2	Control unit in dash panel insert -J285-
2-pin connector -T2fb-	X30/45.3	Electronic ignition lock -D9-
2-pin connector -T2fc-	X30/45.4	ABS control unit -J104-
2-pin connector -T2fd-	X30/45.5	Lateral acceleration sender -G200- Longitudinal acceleration sender -G251-
2-pin connector -T2fe-	X30/45.6	Steering column electronics control unit -J527-
2-pin connector -T2ff-	X30/45.7	Tachograph control unit -J621-
2-pin connector -T2fg-	X30/45.8	Automated manual gearbox control unit -J514-
2-pin connector -T2fk-	X30/45.12	Battery regulation control unit -J840-
2-pin connector -T2fl-	X30/45.13	Wiring junction 5 for bus systems -TV48-

1.14 Coupling station in right A-pillar

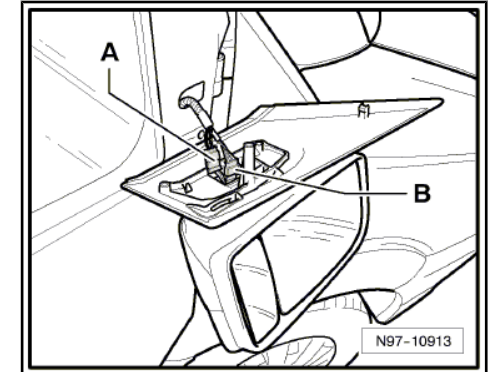
- A - 4-pin connector -T4r- , black, in right A-pillar, near front passenger door rubber bellow
- B - 10-pin connector -T10e- , black, in right A-pillar, near front passenger door rubber bellow
- C - 2-pin connector -T2ah- , black, in right A-pillar, near front passenger door rubber bellow
- D - 10-pin connector -T10g- , white, in right A-pillar, near front passenger door rubber bellow



1.15 Coupling station on right exterior mirror

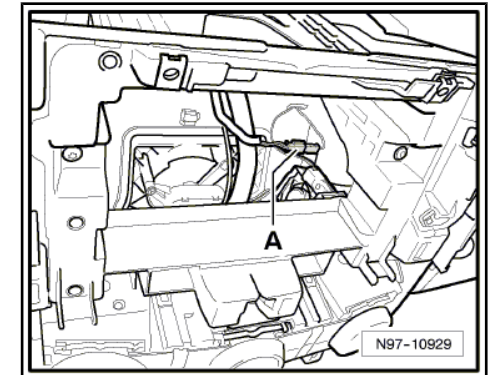
A - 6-pin connector -T6w- , white (rear parking aid display)

B - 6-pin connector -T6d- , black (mirror adjustment and turn signals in mirrors)



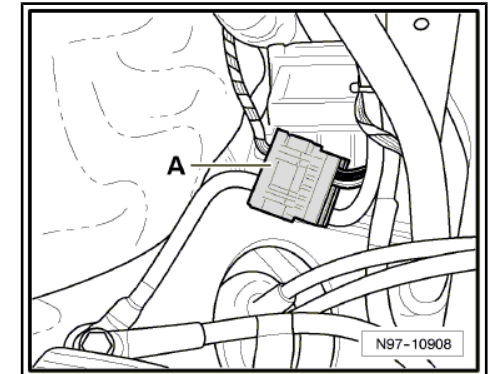
1.16 Coupling station on centre dash panel

A - 2-pin connector -T2e- , black, behind radio (supplementary blower for radio)



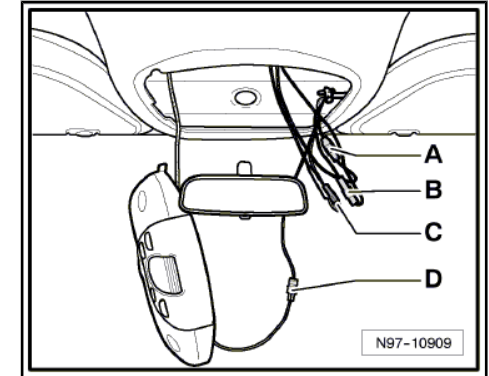
1.17 Coupling station lower centre console

A - 14-pin connector -T14b- , black, near airbag control unit



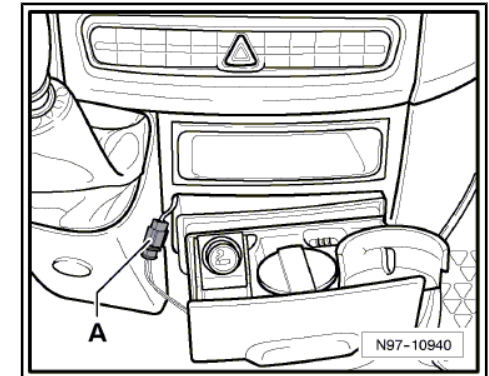
1.18 Coupling station behind front interior light

- A - Single connector -T1k- , black (aerial)
- B - Single connector -T1f- , white (aerial)
- C - Single connector -T1g- , black (aerial)
- D - 2-pin connector -T2f- , black (microphone of hands-free kit)



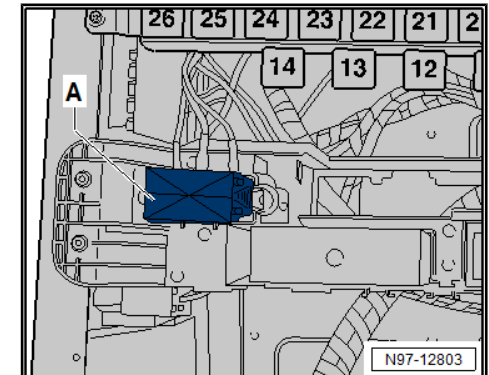
1.19 Coupling station behind the ashtray

- A - 3-pin connector -T3u- , black (cigarette lighter)



1.20 Electrical terminal strip for external use

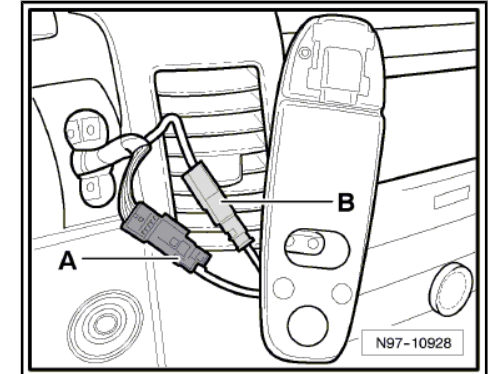
- A - Electrical terminal strip for external use -TV65-



1.21 Coupling station under the dash panel, upper left

A - 10-pin connector -T10i- , black (mobile telephone mounting)

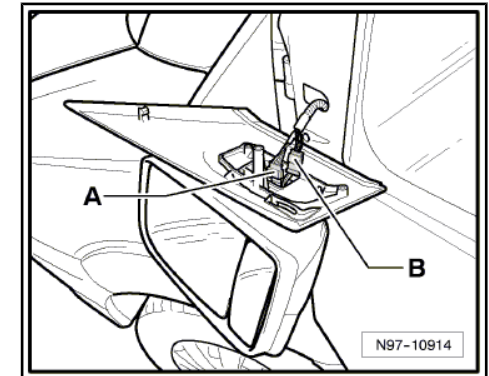
B - 2-pin connector -T2g- , purple (mobile telephone mounting aerial)



1.22 Coupling station on left exterior mirror

A - 6-pin connector -T6c- , black (mirror adjustment and turn signals in mirrors)

B - 6-pin connector -T6v- , white (rear parking aid display)



1.23 Coupling station in the left A-pillar

A - 10-pin connector -T10f- , black (near driver door rubber bellow)

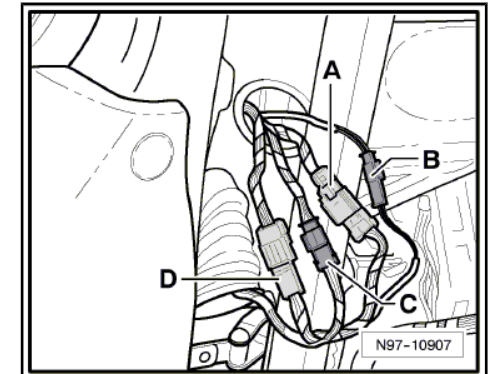
B - 3-pin connector -T3r- , black (near driver door rubber bellow)

C - 4-pin connector -T4f- , black (near driver door rubber bellow)

D - 4-pin connector -T4q- , black (near driver door rubber bellow)



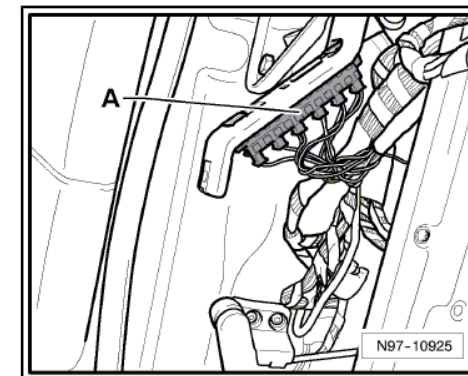
From November 2008, the connector -T3r- is no longer installed!



1.24 CAN bus wiring junction on lower part of left A-pillar

A - Wiring junction 4 for bus systems -TV30- near A-pillar (up to May 2013)

Connector designator		Component
2-pin connector -T2da-	X30/26.1	Wiring junction 3 for bus systems -TV25-
2-pin connector -T2dd-	X30/26.4	Tyre Pressure Monitoring System control unit -J502-
2-pin connector -T2dg-	X30/26.7	Battery regulation control unit -J840- <ul style="list-style-type: none"> • only models with stop/start system • from April 2011



A - Wiring junction 2 for bus systems -TV27- near A-pillar (from May 2013)

Connector designator		Component
2-pin connector -T2ea-	X30/25.1	Wiring junction 3 for bus systems -TV25-
2-pin connector -T2eb-	X30/25.2	Electronic ignition lock -D9-
2-pin connector -T2ec-	X30/25.3	Control unit in dash panel insert -J285-
2-pin connector -T2ed-	X30/25.4	Centre operating unit for dash panel -J819-
2-pin connector -T2ef-	X30/25.6	Heater/heat output switch -E16- <ul style="list-style-type: none"> • Only models with no air conditioning system
2-pin connector -T2ef-	X30/25.6	Air conditioning system control unit -J301-
2-pin connector -T2eg-	X30/25.7	Radio -R-
2-pin connector -T2eg-	X30/25.7	Control unit with display for radio and navigation -J503-
2-pin connector -T2eh-	X30/25.8	Mobile telephone operating electronics control unit -J412-

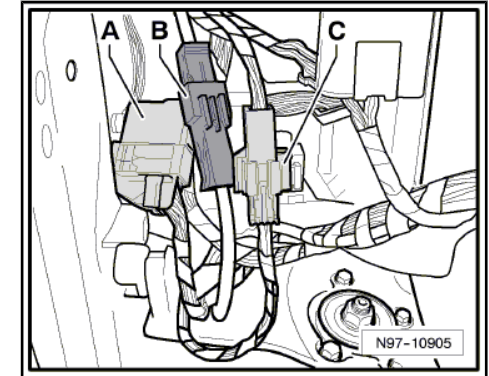
1.25 Coupling station on lower part of left A-pillar

A - 28-pin connector -T28a- , black (no longer fitted from March 2011)

A - 28-pin connector -T28- , black (from April 2011)

B - Single connector -T1e- , black

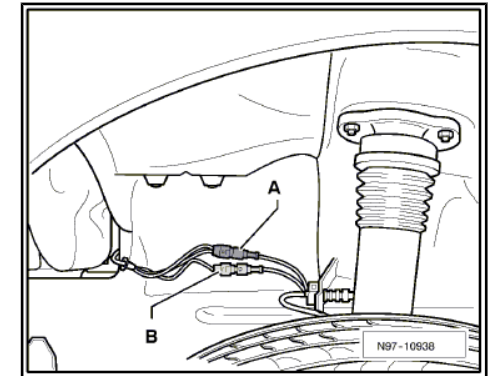
C - 6-pin connector -T6y- , black (rear loudspeakers)



1.26 Coupling station in front left wheel housing

A - 2-pin connector -T2t- , black-blue (brake pad wear)

B - 2-pin connector -T2ac- , black (speed sensor)



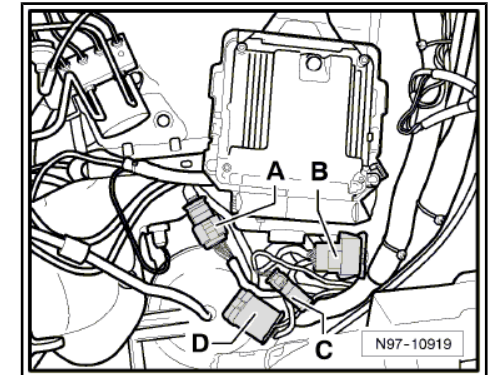
1.27 Coupling station in engine compart., left

A - 8-pin connector -T8- , black

B - 9-pin connector -T9- , black

C - 3-pin connector -T3- , black

D - 8-pin connector -T8a- , black



1 Coupling stations and pin connectors from wiring harness set (rear send)

1.1 Overview of coupling stations and pin connectors

1 - Coupling station in driver's underseat box

- Pin connector, -T3o, T4x, T4y, T4aw-
- Location ⇒ [page 3](#)

2 - Coupling station in front passenger's underseat box

- Pin connector, -T3p, T4z, T4aa-
- Location ⇒ [page 4](#)

3 - Coupling station in right sliding door

- Pin connector, -T6x, T6am-
- Location ⇒ [page 4](#)

4 - Coupling station on lower part of right B-pillar

- Pin connector, -T4ah, T6g-
- Location ⇒ [page 4](#)

5 - Coupling station near diesel particulate filter

- Pin connector, -T2aw-
- Location ⇒ [page 5](#)

6 - Coupling station near right underbody (panel van/Kombi)

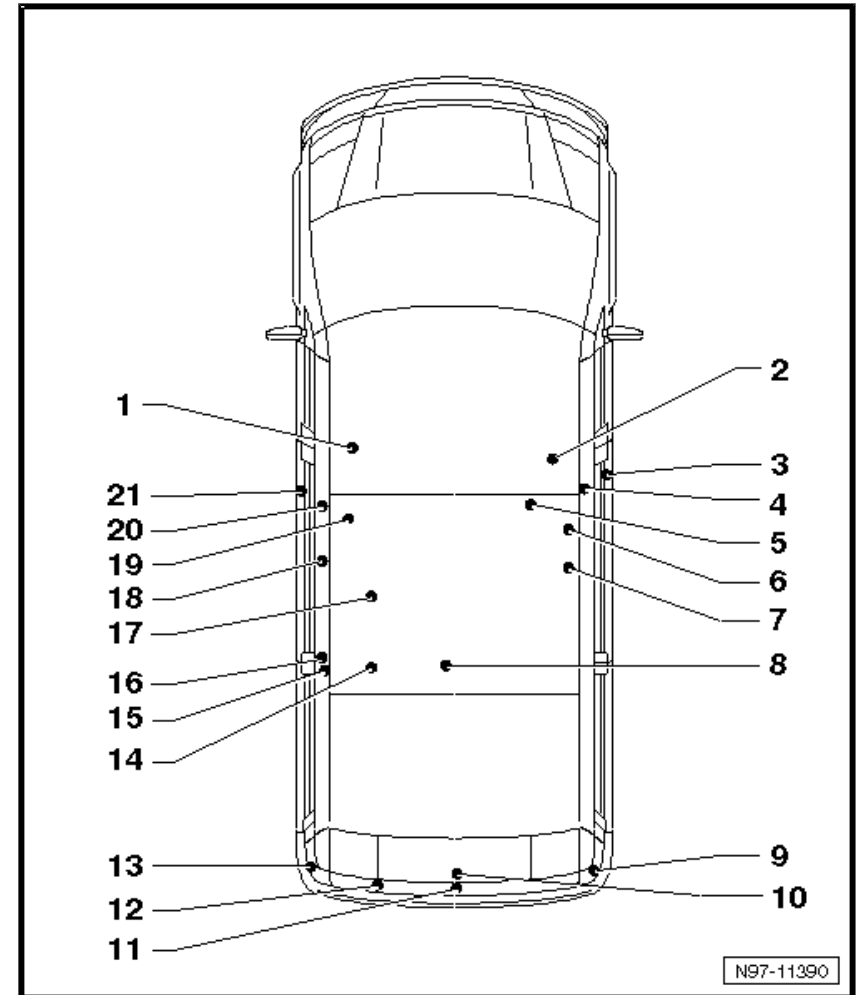
- Pin connector, -T9c, T10s-
- Location ⇒ [page 5](#)

7 - Coupling station on reducing-agent tank

- Pin connector, -T2au, T4bh-
- Location ⇒ [page 5](#)

8 - Coupling station near centre underbody

- Pin connector, -T2v, T2w, T2ae, T2af-



- Location ⇒ [page 6](#)

9 -

Coupling station in right of D-pillar

- Pin connector, -T2p, T4j, T6j-
- Location ⇒ [page 6](#)

10 -

Coupling station on roof behind centre interior light

- Pin connector, -T2ge, T6ae-
- Location ⇒ [page 6](#)

11 -

Coupling station on the roof under reversing camera cover

- Pin connector, -T2gr, T4bf-
- Location ⇒ [page 7](#)

12 -

Coupling station on centre apron

- Pin connector, -T2gm, T8m-
- Location ⇒ [page 7](#)

13 -

Coupling station in left of D-pillar

- Pin connector, -T2n, T4l, T4m-
- Location ⇒ [page 7](#)

14 -

Coupling station on left underbody

- Pin connector, -T1r, T6ah, T7h-
- Location ⇒ [page 8](#)

13 -

Coupling station in area of left longitudinal member

- Pin connector, -T2aa, T6a-
- Location ⇒ [page 8](#)

14 -

Coupling station in area of left longitudinal member

- Pin connector, -T2i-
- Location ⇒ [page 8](#)

15 -

Coupling station in centre left passenger compartment

- Pin connector, -T1l, T1m, T10j-

- Location ⇒ [page 9](#)

16 -

Coupling station in area of left longitudinal member

- Pin connector, -T4al, T8z-
- Location ⇒ [page 9](#)

17 -

Coupling station near left centre underbody

- Pin connector, -T8b-
- Location ⇒ [page 9](#)

18 -

Coupling station on lower part of left B-pillar

- Pin connector, -T4ai, T6i-
- Location ⇒ [page 10](#)

19 -

Coupling station in left sliding door

- Pin connector, -T6h, T6z-
- Location ⇒ [page 10](#)

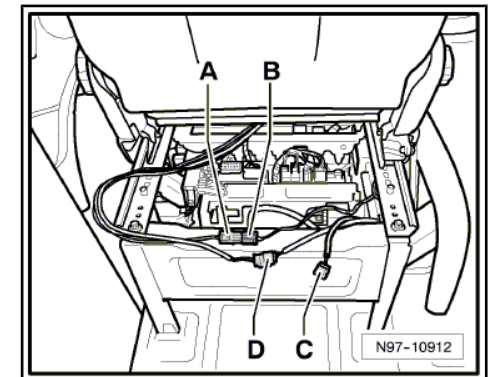
1.2 Coupling station in driver's underseat box

A - 4-pin connector -T4x- , black (seat heating)

B - 4-pin connector -T4y- , black (seat heating)

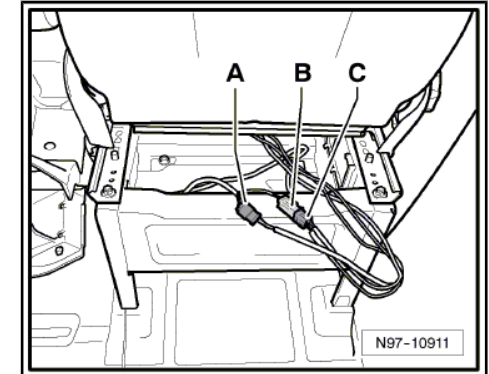
C - 4-pin connector -T4aw- , black (preparation for luggage compartment illumination)

D - 3-pin connector -T3o- , yellow (side airbag)



1.3 Coupling station in front passenger's underseat box

- A - 3-pin connector -T3p- , yellow (side airbag)
- B - 4-pin connector -T4aa- , black (seat heating)
- C - 4-pin connector -T4z- , black (seat heating)



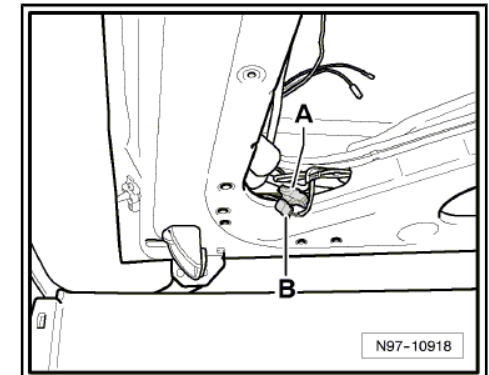
1.4 Coupling station in right sliding door

- A - 6-pin connector -T6x- , black (loudspeaker)
- B - 6-pin connector -T6am- , black (rear door contact switch)



Note

From September 2006 changed connectors, see applicable Current Flow Diagram (4 pin and 8 pin)



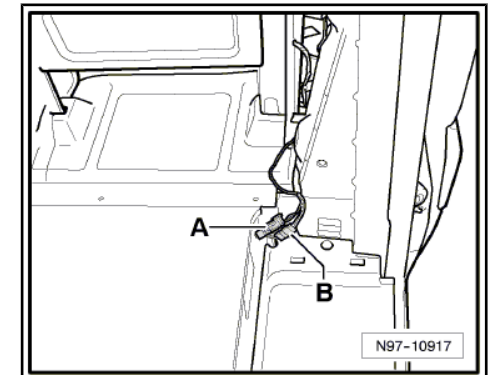
1.5 Coupling station on lower part of right B-pillar

- A - 6-pin connector -T6g- , black, under right sliding door sill panel trim, near B-pillar (door contact switch, energy chain sliding door)
- B - 4-pin connector -T4ah- , black, under right sliding door sill panel trim, near B-pillar (loudspeaker, energy chain sliding door)



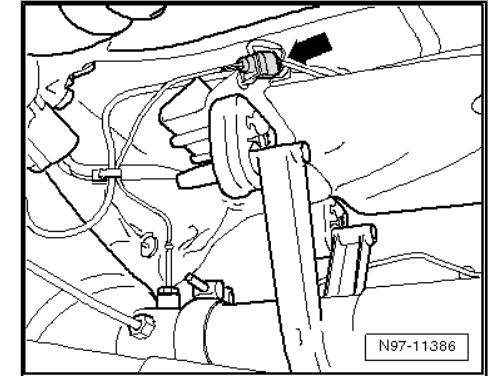
Note

From September 2006 changed connectors, see applicable Current Flow Diagram (4 pin and 8 pin)



1.6 Coupling station near diesel particulate filter

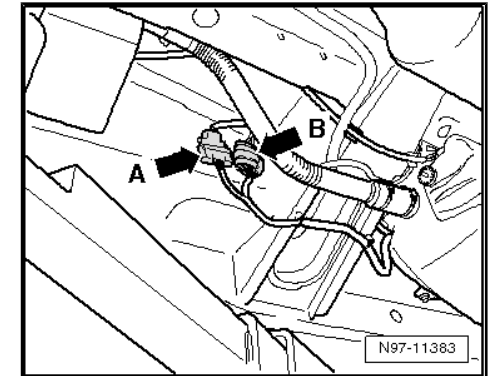
Pfeil - 2-pin connector -T2aw- , orange



1.7 Coupling station near right underbody (panel van/Kombi)

A - 9-pin connector -T9c- , black

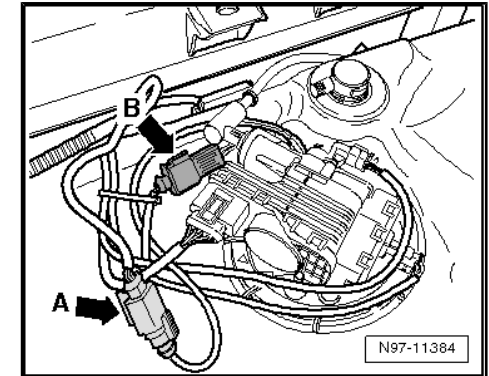
B - 10-pin connector -T10s- , black



1.8 Coupling station on reducing-agent tank

A - 4-pin connector -T4bh- , black, on reducing-agent tank

B - 2-pin connector -T2au- , black, on reducing-agent tank



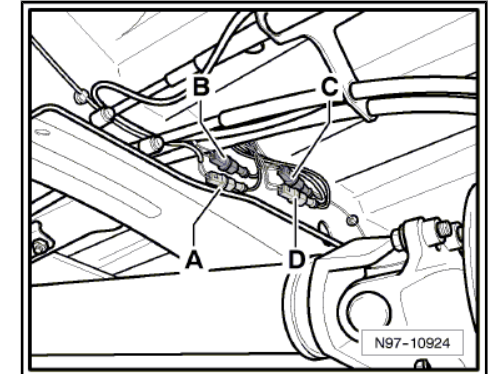
1.9 Coupling station near centre underbody

A - 2-pin connector -T2af- , black-blue, near rear axle (rear left speed sensor)

B - 2-pin connector -T2v- , black, near rear axle (rear left brake pad wear)

C - 2-pin connector -T2w- , black-blue, near rear axle (rear right speed sensor)

D - 2-pin connector -T2ae- , black, near rear axle (rear right brake pad wear)

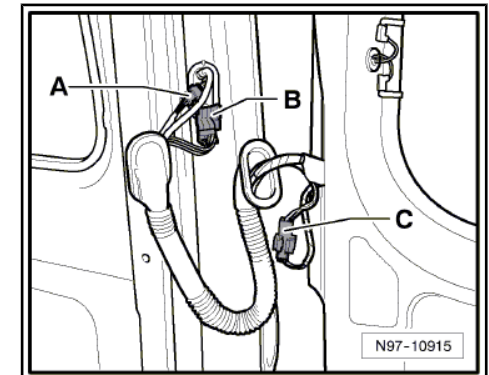


1.10 Coupling station in right of D-pillar

A - 4-pin connector -T4j- , black, area bellows wing door (door contact switch)

B - 6-pin connector -T6j- , black, area bellows wing door (rear window wiper)

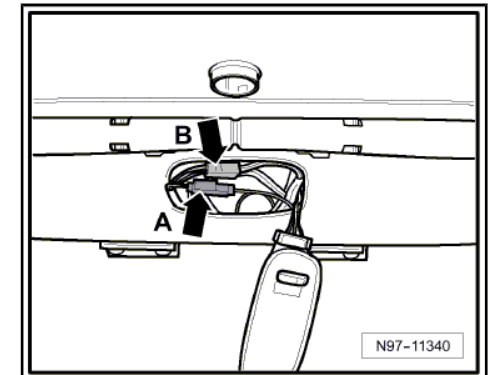
C - 2-pin connector -T2p- , black, area bellows wing door (heated rear window)



1.11 Coupling station on roof behind centre interior light

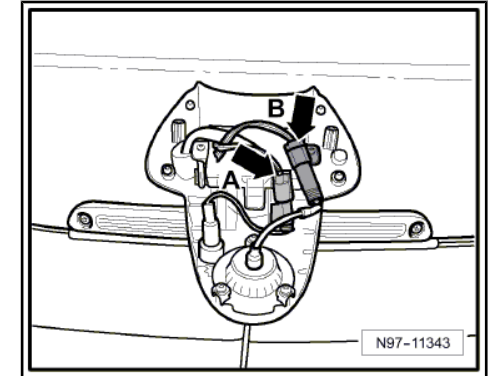
A - 2-pin connector -T2ge- , green, behind rear centre interior light

B - 6-pin connector -T6ae- , black, behind rear centre interior light



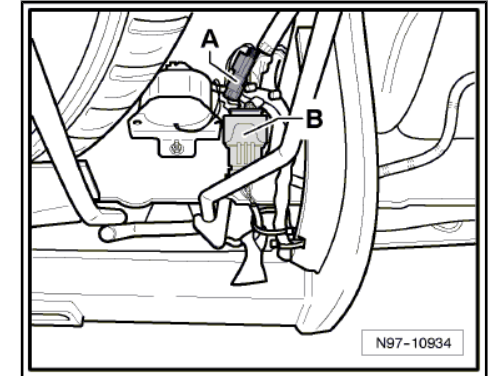
1.12 Coupling station on the roof under reversing camera cover

- A - 2-pin connector -T2gr- , black, under reversing camera cover
- B - 4-pin connector -T4bf- , black, under reversing camera cover



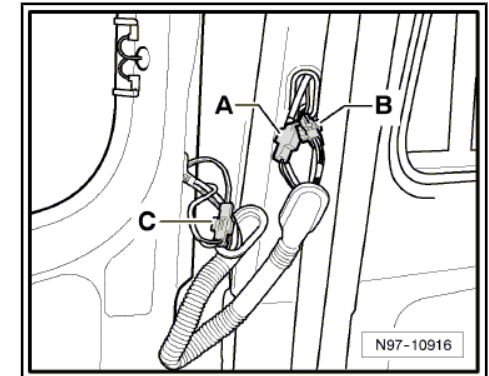
1.13 Coupling station on centre apron

- A - 2-pin connector -T2gm- , black, area centre apron (reverse drive buzzer)
- B - 8-pin connector -T8m- , black, area centre apron (rear parking aid sensors)



1.14 Coupling station in left of D-pillar

- A - 4-pin connector -T4m- , white, area bellows wing door
- B - 4-pin connector -T4l- , black, area bellows wing door
- C - 2-pin connector -T2n- , black, area bellows wing door (heated rear window)

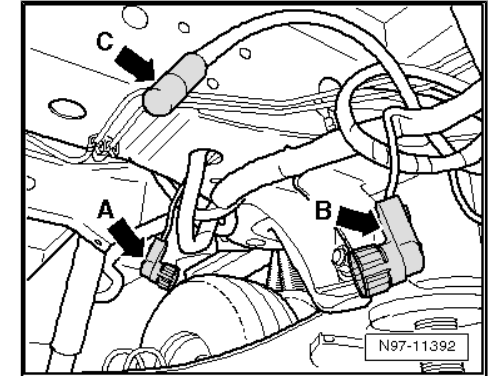


1.15 Coupling station on left underbody

A - 6-pin connector -T6ah- , black (3-way tilt)

B - 7-pin connector -T7h- , black (retarder)

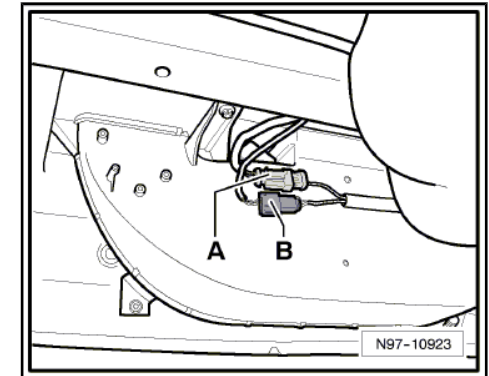
C - Single connector -T1r- , black (retarder)



1.16 Coupling station in area of left longitudinal member

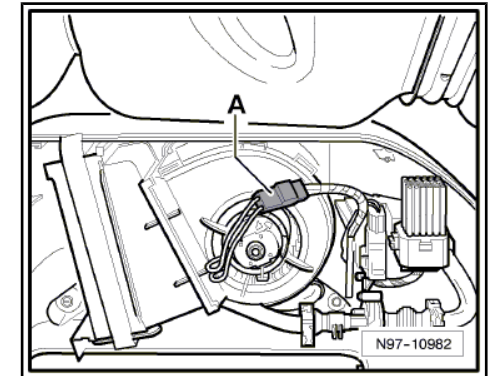
A - 6-pin connector -T6a- , black, near fuel tank (heat exchanger, rear heater)

B - 2-pin connector -T2aa- , black, near fuel tank (heat exchanger, rear heater)



1.17 Coupling station in area of left longitudinal member

A - 2-pin connector -T2i- , white, in heat exchanger, rear heater (blower motor, rear heater)

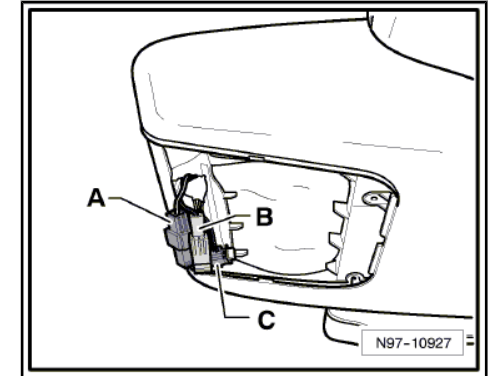


1.18 Coupling station in centre left passenger compartment

A - Single connector -T1m- , black, area of centre left headliner (rear air conditioning system)

B - Single connector -T1l- , black, area of centre left headliner (rear air conditioning system)

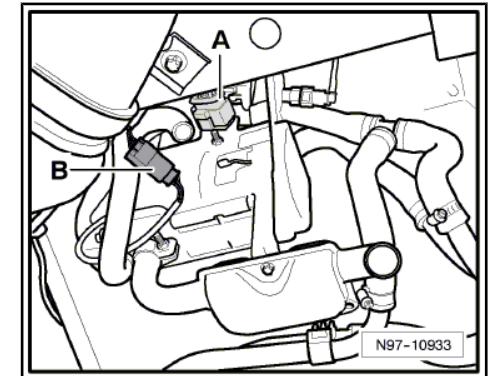
C - 10-pin connector -T10j- , black, area of centre left headliner (rear air conditioning system)



1.19 Coupling station in area of left longitudinal member

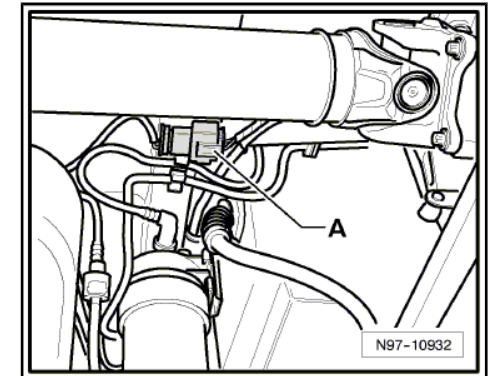
A - 8-pin connector -T8z- , black, near fuel tank (rear heater)

B - 4-pin connector -T4al- , black, near fuel tank (rear heater)



1.20 Coupling station near left centre underbody

A - 8-pin connector -T8b- , black, near fuel tank (fuel tank)



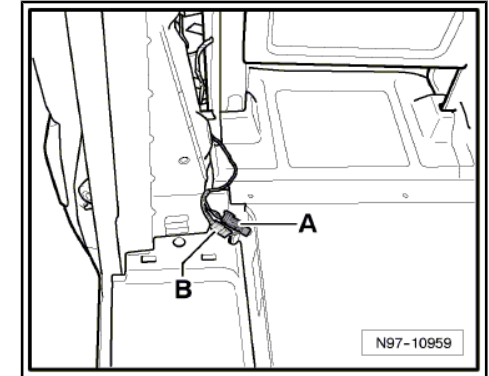
1.21 Coupling station on lower part of left B-pillar

A - 4-pin connector -T4ai- , black, under left sliding door sill panel trim, near B-pillar (loudspeaker, energy chain sliding door)

B - 6-pin connector -T6i- , black, under left sliding door sill panel trim, near B-pillar (door contact switch, energy chain sliding door)



From September 2006 changed connectors, see applicable Current Flow Diagram (4 pin and 8 pin)



1.22 Coupling station in left sliding door

A - 6-pin connector -T6h- , black (door contact switch)

B - 6-pin connector -T6z- , black (loudspeaker)



From September 2006 changed connectors, see applicable Current Flow Diagram (4 pin and 8 pin)

