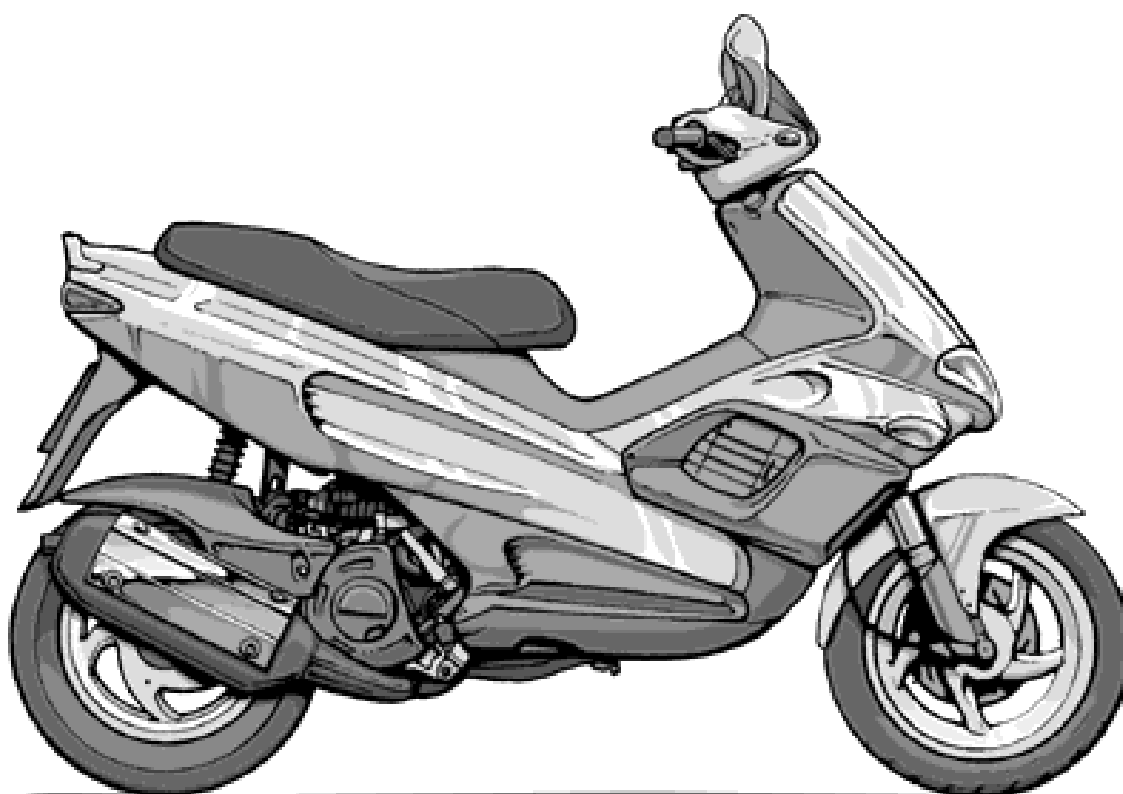




GILERA®

SPARE PARTS CATALOGUE



Runner 125 FX 2T

Chassis prefix: ZAPM07000

Engine prefix: M071M



Index

Finished products.....	4
Alphanumeric index.....	5
Electrical equipment.....	12
Table T46 - Optical unit.....	12
Table T47 - Front direction indicators.....	13
Table T48 - Rear tail lamp.....	14
Table T49 - Electrical devices.....	16
Table T50 - Electrical devices.....	17
Table T51 - Electrical devices.....	18
Table T52 - Electrical devices.....	20
Table T53 - Battery.....	21
Engine.....	22
Table T1 - Engine.....	22
Table T10 - Rear wheel shaft.....	23
Table T11 - Flywheel magneto.....	25
Table T12 - Starting motor-starter lever.....	26
Table T13 - Oil pump.....	27
Table T14 - Water pump.....	28
Table T15 - Brake caliper.....	29
Table T16 - Carburettor.....	30
Table T17 - Carburettor dell'orto.....	31
Table T17/A - Carburettor mikuni.....	33
Table T2 - Crankase.....	34
Table T3 - Crankshaft.....	35
Table T4 - Cylinder-piston-wrist pin, assy.....	36
Table T5 - Cylinder head and induction pipe.....	37
Table T6 - Transmission cover.....	38
Table T7 - Belt cooling tube-iintake tube.....	39
Table T8 - Driven pulley.....	40
Table T9 - Driving pulley.....	41
Handlebars.....	42
Table T37 - Speedometers kms.-handlebar covers.....	42
Table T38 - Handlebars component parts.....	44
Table T39 - Handlebars component parts.....	45
Table T39/A - Handlebars component parts (vehicle with rear hub brake).....	46
Transmissions.....	47
Table T44 - Front brake caliper.....	47
Table T44/A - Caliper(vehicle wth rear hub brake).....	48
Table T45 - Transmissions.....	49
Suspensions-Wheels.....	50
Table T40 - Steering bearing ball tracks-front fork.....	50
Table T41 - Front fork component parts (model 97-98-99).....	51
Table T41/A - Mvp front fork component parts.....	52



Table T41/B - Showa front fork component parts.....	53
Table T42 - Swinging arm.....	54
Table T43 - Rear damper.....	55
Table T54 - Front wheel.....	56
Table T55 - Rear wheel(model with rear hub brake).....	57
Table T55/A - Rear wheel(vehicle withrear hub brake).....	58
Chassis.....	59
Table T18 - Air cleaner.....	59
Table T19 - Silencer.....	60
Table T19/A - Catalytic silencer.....	61
Table T20 - Chasis-central stand.....	62
Table T21 - Expansion tank.....	63
Table T22 - Cooling system.....	64
Table T23 - Cooling system.....	66
Table T24 - Case helmet.....	67
Table T25 - Fairings.....	68
Table T26 - Emblems.....	70
Table T26/A - K.trimmings (vehicle sport production).....	72
Table T26/B - Model 2002 emblems.....	74
Table T27 - Fairings.....	75
Table T28 - Fairings.....	77
Table T29 - Fairings.....	78
Table T30 - Fairings.....	79
Table T31 - Petrol cap.....	81
Table T32 - Front and rear mudguard.....	82
Table T33 - Saddle.....	83
Table T34 - Fuel tank.....	84
Table T35 - Oil mix tank-degaser.....	85
Table T36 - Supply system.....	86
Table T56 - Windshield kit-stand kit.....	87



Finished products

Code	Validity
------	----------

no finished product



Code	No. table	Pos.	Code	No. table	Pos.	Code	No. table	Pos.
000267	T11	10	015911	T53	2	129953	T48	12
000397	T15	9	015911	T7	2	140333	T31	16
001564	T19	6	015946	T52	4	145298	T22	29
001564	T19/A	6	015947	T31	4	145298	T46	7
003054	T31	3	015947	T9	3	146197	T13	17
003055	T19/A	3	015994	T47	4	164634	T37	9
003056	T22	23	016195	T19/A	21	168077	T22	5
003056	T23	3	016404	T12	20	174710	T10	13
003056	T30	10	016404	T48	21	174874	T43	1
003056	T32	8	016405	T19	2	178790	T38	10
003056	T51	13	016405	T19/A	2	179640	T45	8
003056	T51	19	016405	T51	5	181351	T48	4
003056	T52	5	016406	T22	22	181746	T47	2
003058	T20	13	016406	T23	4	181746	T48	11
003058	T20	22	016406	T49	6	181746	T48	13
003058	T44	8	016406	T51	12	184142	T24	2
003058	T44/A	7	016406	T51	20	184142	T25	3
003208	T20	18	016408	T19	7	184142	T25	5
006078	T19/A	14	016408	T19/A	7	184142	T25	8
006177	T20	17	016408	T43	4	184142	T27	2
006416	T12	11	016408	T44	7	184142	T27	6
006416	T42	14	016408	T44/A	6	184142	T28	3
006635	T12	11	016604	T19	8	184142	T29	10
006647	T10	20	016604	T19/A	8	184142	T30	6
006964	T9	4	016626	T43	7	184142	T32	11
006975	T11	11	016686	T51	16	184142	T7	1
006975	T11	8	017492	T6	5	185802	T52	12
006975	T13	7	018544	T37	11	194423	T10	2
006975	T2	18	018591	T48	24	196272	T48	8
006975	T5	5	018644	T12	21	196272	T52	12
008374	T5	6	020006	T2	3	196272	T53	3
008432	T24	7	020008	T2	6	196868	T34	13
008432	T31	10	020008	T56	3	196868	T35	7
008432	T31	15	020104	T31	9	216209	T43	5
008808	T27	8	020104	T48	20	2188235	T53	6
012112	T22	8	020106	T13	2	223605	T38	9
012533	T18	4	020106	T23	5	2239414	T4	2
012533	T32	9	021108	T43	2	224962	T12	15
012543	T38	11	031056	T51	4	231370	T42	15
012789	T10	5	031088	T22	24	231571	T51	2
013092	T22	3	031088	T23	1	232108	T42	9
013754	T19/A	5	031088	T51	18	232108	T43	8
013754	T48	23	031089	T32	1	239388	T10	6
013763	T48	23	031119	T20	23	239388	T2	13
013880	T32	12	055986	T40	6	239388	T6	15
015330	T38	12	063435	T5	4	241937	T51	17
015341	T19	13	077023	T40	4	245816	T13	8
015341	T19/A	13	077024	T40	3	252945	T51	23
015558	T32	4	080341	T51	10	253366	T37	10
015558	T49	9	085285	T17	24	253937	T50	2
015585	T11	7	085508	T11	5	254485	T18	7
015585	T13	10	090854	T53	1	254485	T21	5
015585	T2	17	103556	T19	5	254485	T22	14
015715	T11	12	103556	T19/A	24	254485	T24	1
015715	T48	9	103936	T51	8	254485	T25	10
015792	T19	11	104296	T13	9	254485	T25	12
015792	T19/A	11	109960	T16	2	254485	T28	4
015792	T44	9	109960	T17	22	254485	T28	6
015792	T44/A	5	109960	T18	8	254485	T29	6
015792	T55/A	9	109960	T7	5	254485	T30	18
015804	T32	5	113533	T2	5	254485	T30	2
015856	T11	1	113903	T17	26	254485	T32	7
015856	T13	18	114164	T51	7	254485	T34	3
015856	T22	10	123394	T38	13	254485	T35	1
015911	T27	1	123394	T39	6	254485	T46	1
015911	T29	9	127927	T44	5	254485	T48	2
015911	T30	13	127927	T44/A	11	254485	T49	5



Code	No. table	Pos.	Code	No. table	Pos.	Code	No. table	Pos.
254485	T7	3	271433	T39	9	291009	T48	25
2559835	T51	8	271434	T38	15	2910162	T52	10
258146	T18	5	271434	T39	8	291017	T52	1
258146	T56	2	271452	T39	1	291570	T52	7
258160	T34	5	271452	T39/A	2	292033	T51	14
258161	T34	10	271453	T38	4	292507	T51	24
258249	T25	4	271477	T36	4	293301	T22	6
258249	T29	9	271740	T54	1	293347	T52	8
258249	T7	2	271740	T54	11	2933525	T51	15
258536	T18	3	271748	T54	8	293390	T11	6
258904	T21	3	271779	T42	6	293391	T11	9
258904	T22	9	271807	T42	4	293409	T17/A	1
258904	T35	9	271810	T17/A	16	293549	T49	7
258904	T36	15	271891	T22	4	293550	T49	3
259348	T24	3	271976	T45	13	293565	T48	7
259349	T24	9	271977	T45	1	294163	T51	6
259349	T25	6	272176	T20	12	294340	T49	8
259349	T25	7	272177	T20	5	294341	T49	1
259349	T32	10	272178	T20	7	294342	T49	2
259349	T52	9	272329	T42	11	294353	T46	3
259829	T35	4	2727785	T42	7	294382	T46	4
259830	T22	7	272848	T13	1	294501	T46	2
259830	T27	1	272861	T25	15	294508	T48	18
259830	T29	1	273099	T10	4	294519	T48	10
259830	T32	1	273288	T22	2	294528	T48	14
259830	T33	2	273419	T15	10	294562	T47	7
259830	T34	11	273463	T42	10	294566	T47	6
259830	T35	11	273765	T42	5	294567	T47	5
259830	T36	14	273773	T42	2	294568	T47	3
259830	T46	5	273774	T42	12	294786	T48	16
259830	T7	8	273884	T2	14	294787	T48	17
259933	T20	18	274245	T15	4	294836	T50	1
259988	T30	17	274350	T44	10	294881	T51	1
265249	T39	3	274468	T41	9	294937	T53	5
265451	T44	6	274706	T54	6	294940	T51	21
265451	T44/A	12	274924	T44	4	294941	T12	2
266005	T47	1	274939	T38	9	295451	T20	19
266625	T2	8	286143	T2	12	295590	T20	16
266724	T15	2	286143	T6	3	295591	T20	15
266725	T15	3	286163	T13	5	295592	T20	14
267823	T2	7	286165	T13	11	295593	T20	20
267948	T39	4	286206	T12	8	295788	T56	6
267958	T37	3	286207	T12	9	295789	T56	5
267958	T37	6	286214	T12	7	296743	T24	6
268158	T43	9	286217	T12	16	297349	T24	10
268419	T20	10	286218	T12	17	297378	T34	17
269145	T38	16	286219	T12	19	297446	T53	8
269448	T42	1	287223	T2	4	297498	T29	5
269571	T45	14	288041	T12	18	297498	T30	16
269755	T15	8	288245	T34	15	297498	T48	5
270251	T21	6	288245	T52	11	297707	T37	5
270310	T45	9	288327	T13	15	298132000D	T30	1
270371	T2	10	288862	T17	23	298132000P	T30	1
270706	T55/A	5	288868	T45	5	298133000D	T29	12
270723	T25	9	288881	T17	20	298133000P	T29	12
270723	T28	5	288883	T17	15	298134000D	T29	4
270723	T29	7	289094	T12	3	298134000P	T29	4
270723	T30	5	289262	T13	3	298136000D	T48	3
270793	T37	4	289309	T13	16	298136000P	T48	3
270991	T54	10	289495	T12	6	298141	T24	11
270991	T55	2	289514	T5	2	298148000D	T37	7
270991	T55/A	1	289553	T14	3	298148000P	T37	7
271147	T54	5	289554	T14	4	298372	T36	13
271147	T55/A	6	289575	T17	16	298372	T36	19
271175	T20	6	289903	T16	8	298581	T50	4
271395	T42	8	290404	T52	6	298604	T20	2
271433	T38	14	290944	T48	15	298838	T50	7



Code	No. table	Pos.	Code	No. table	Pos.	Code	No. table	Pos.
298892000G	T29	11	42950000G9	T25	11	432416	T17	19
298892000P	T29	11	42950005	T25	11	432417	T17	25
2988920028	T29	11	4295005003	T25	11	432419	T17	13
2988920043	T29	11	4295005028	T25	11	432425	T17	21
29889200NC	T29	11	4295005040	T25	11	432425	T17/A	25
2988930003	T29	8	4295005042	T25	11	432491	T9	12
298893000P	T29	8	4295005090	T25	11	432502	T17/A	4
2988930043	T29	8	4295005095	T25	11	432505	T17/A	11
29889300NC	T29	8	42950050E1	T25	11	432506	T17/A	6
298894000C	T29	13	42950050R6	T25	11	432507	T17	10
298895000C	T29	3	42950050R7	T25	11	432507	T17/A	12
2988966	T20	1	42960000G9	T25	2	432508	T17/A	18
298897	T30	12	42960005	T25	2	432509	T17/A	29
2988970028	T30	12	4296005028	T25	2	432511	T17	13
2988970040	T30	12	4296005040	T25	2	432511	T17/A	10
2988970042	T30	12	4296005042	T25	2	432512	T17/A	9
2988970090	T30	12	4296005090	T25	2	432514	T17/A	14
2988970095	T30	12	4296005095	T25	2	432515	T17	12
29889700E1	T30	12	42960050E1	T25	2	432516	T17/A	19
29889700R6	T30	12	42960050R6	T25	2	432518	T17/A	28
298903	T50	3	42960050R7	T25	2	432519	T17	2
299107000C	T28	1	42980005	T27	4	432519	T17/A	2
299349	T24	5	4298005028	T27	4	432520	T17/A	27
299382	T22	13	4298005040	T27	4	432521	T17	11
299384000D	T30	4	4298005042	T27	4	432523	T17/A	26
299384000P	T30	4	4298005090	T27	4	432524	T17/A	24
299386	T24	8	4298005095	T27	4	432526	T17/A	23
299387	T27	10	42980050A7	T27	4	432528	T17/A	21
299388	T22	11	42980050E1	T27	4	432533	T17/A	22
299687	T31	5	42980050R4	T27	4	432534	T17/A	20
299689	T31	11	42980050R6	T27	4	432972	T5	20
299693	T30	7	430045	T5	3	432975	T5	12
299775	T29	14	430206	T5	15	433122	T19/A	22
299776	T29	2	430228	T10	15	433232	T8	14
299902	T31	8	430228	T2	15	433368	T10	11
299903	T31	2	430264	T6	11	433391	T9	1
299913	T34	6	430391	T10	8	433459	T12	22
299920	T34	7	430393	T4	3	4335935	T14	2
299939	T22	25	430585	T8	9	433599	T2	2
299940	T22	21	431065	T8	21	433603	T12	14
299943	T22	20	431067	T8	4	433716	T14	5
299944	T22	27	431068	T8	2	433748	T10	9
299967	T23	2	431069	T8	20	433800	T19	1
299969	T7	4	431070	T8	19	433987	T12	10
299970	T23	7	431089	T8	8	4340135	T10	7
299972	T31	7	4310935	T8	10	434078	T5	18
323990	T30	11	431205	T6	2	434087	T12	5
327187	T54	14	431256	T10	18	434359	T5	8
351782	T22	1	431275	T9	6	434468	T14	6
414835	T6	9	431280	T9	7	434541	T49	9
414837	T12	12	431281	T9	5	434541	T51	11
414837	T15	5	4312855	T8	7	434581	T3	6
414837	T45	11	431321	T12	4	4345825	T3	2
414837	T5	16	431370	T13	4	434703	T11	2
414837	T6	6	431600	T19	14	434735	T10	21
414838	T12	1	431863	T18	9	434795	T4	1
414838	T44/A	9	431952	T2	19	434812	T9	14
414838	T6	8	432071	T16	7	4352035	T2	11
4294005	T25	13	432127	T19	10	435236	T5	19
4294005003	T25	13	432127	T19/A	10	4353355	T5	17
4294005028	T25	13	432142	T6	12	435866	T5	14
4294005040	T25	13	432147	T16	3	435893	T9	8
4294005042	T25	13	432307	T8	3	436096	T16	3
4294005090	T25	13	432334	T19	15	436206	T17	18
4294005095	T25	13	432334	T19/A	15	436783	T11	13
42940050E1	T25	13	432412	T17	14	436783	T8	17
42940050R6	T25	13	432413	T17	17	436783	T9	16



Code	No. table	Pos.	Code	No. table	Pos.	Code	No. table	Pos.
438034	T5	9	486149	T13	14	561783	T55	4
465054	T27	9	486324	T9	17	561866	T55	5
478171	T18	11	486985	T19/A	18	561919	T40	7
478498	T10	19	486993	T19/A	17	561919	T41	8
478519	T18	1	487123	T17	1	561921	T41	16
478520	T19/A	19	487167	T14	1	561922	T41	5
478751	T8	1	4872495	T10	1	561924	T41	4
478752	T8	11	487479	T17	7	561925	T41	3
478985	T6	14	4875390001	T4	6	561929	T41	15
479415	T8	6	4875390002	T4	6	562129	T55/A	8
479707	T7	6	4875390003	T4	6	562414	T44	3
479886	T17/A	15	4875390004	T4	6	562583	T38	5
479959	T18	10	487549	T4	7	562603	T45	12
479987	T5	7	487554	T4	6	562789	T41	7
480084	T18	6	487555	T4	6	562809	T43	3
480086	T6	7	487556	T4	6	562958	T41	18
480243	T18	2	487775	T4	1	563213	T45	4
480692	T9	10	487776	T4	1	563258	T40	5
480990	T19/A	4	487777	T4	1	563410	T54	13
481032	T18	12	487778	T4	1	563412	T45	2
482274	T19	9	487924	T11	4	563446	T54	4
482280	T19	4	487936	T8	12	563567	T2	7
482280	T19/A	4	487957	T9	13	563649	T56	7
482281	T19	16	488063	T2	20	56365700G9	T37	1
482282	T19	3	4881025	T6	1	5636575	T37	1
4824875	T10	12	494097	T44/A	2	5636575003	T37	1
482530	T10	9	494224	T41	12	5636575028	T37	1
482906	T2	16	494628	T44	2	5636575040	T37	1
482915	T17	4	494685	T44	1	5636575042	T37	1
482916	T17	6	494690	T41	11	5636575090	T37	1
483261	T8	20	494691	T41	19	5636575095	T37	1
483395	T5	1	494692	T41	12	56365750E1	T37	1
483538	T9	12	494692	T41	20	56365750R6	T37	1
483633	T13	12	494693	T41	20	56365750R7	T37	1
483633	T36	9	494694	T41	13	563662	T56	1
483742	T13	6	494695	T41	17	563710	T41	2
483851	T15	12	494706	T1	3	5637175	T55	5
483855	T10	17	494707	T1	2	563728	T10	3
483859	T12	13	494748	T39/A	8	563729	T44/A	8
483878	T4	4	494806	T37	12	563730	T43	9
483970	T3	1	494843	T37	12	563753	T45	3
484344	T19	12	494886	T41	1	563755	T55	1
484344	T19/A	12	494887	T41	6	563878	T38	5
484369	T17	8	494952	T38	3	563883	T38	6
484416	T6	13	497042	T38	3	563928	T42	13
4844275	T5	11	497042	T39/A	5	563929	T42	10
484530	T4	4	497116	T44	2	563977	T42	3
484531	T4	4	498338	T45	5	563983	T44/A	10
484532	T4	4	498339	T45	7	564021	T54	9
484706	T4	5	498372	T39/A	7	564114	T55/A	4
484898	T16	1	498373	T38	17	5641250003	T55/A	2
484914	T11	4	498373	T39/A	4	56412500A3	T55/A	2
4854415	T8	1	498412	T16	5	56412500B1	T55/A	2
485442	T8	13	498413	T16	5	56412500GE	T55/A	2
4854805	T1	1	498442	T44/A	3	56412500R7	T55/A	2
4855275	T10	12	498453	T37	12	5641455	T55/A	3
4855285	T10	16	500511	T3	3	564148	T55/A	3
485551	T5	7	500512	T3	3	564236	T41	10
485619	T4	1	500513	T3	3	564346	T44/A	1
4856365	T10	12	500514	T3	3	564371	T55/A	7
485681	T10	11	56002R	T40	1	5644060003	T54	12
485682	T10	11	56003R	T40	2	56440600A3	T54	12
485683	T10	11	56058R	T44	3	56440600B1	T54	12
485684	T10	11	560619	T56	8	56440600GE	T54	12
485685	T10	11	56087R	T44/A	1	56440600R7	T54	12
485701	T10	11	561714	T54	7	564475	T54	3
485703	T15	9	561761	T54	9	564497	T45	10



Code	No. table	Pos.	Code	No. table	Pos.	Code	No. table	Pos.
564497	T45	15	5748755	T27	13	57575800R4	T26/A	9
564531	T55/A	2	5748755028	T27	13	575760	T26/A	1
564678	T38	3	5748755040	T27	13	575766	T24	4
564678	T39/A	5	5748755042	T27	13	575951	T53	7
564683	T39	2	5748755090	T27	13	576008	T27	7
56474900E4	T43	6	5748755095	T27	13	576058	T32	6
56474900GE	T43	6	57487550A7	T27	13	576108	T24	10
56474900RD	T43	6	57487550E1	T27	13	576170	T53	7
56483900B1	T55	3	57487550R6	T27	13	576189	T52	9
564869	T44/A	4	574891	T26/A	14	576260	T21	2
57301R	T22	11	574892	T26/A	11	5763410090	T26	3
573059	T22	15	574893	T26/A	5	5763410095	T26	3
573060	T22	17	574896	T26/A	10	57635200R4	T26/A	13
573085	T35	5	574897	T26/A	4	576359	T16	4
573090	T31	6	575226	T34	2	576718	T27	12
573454	T21	1	575243	T53	4	576718	T50	6
573458	T35	3	575248	T34	16	576719	T27	11
573501	T20	21	575249	T21	4	576719	T50	5
573502	T20	21	575249	T24	3	5768140090	T26	5
573508	T25	1	575249	T25	14	5768140095	T26	5
573508	T26/A	3	575249	T27	5	5768190090	T26	10
573583	T52	3	575249	T28	2	5768200090	T26	11
573716	T31	14	575249	T30	3	577313	T53	4
573781	T37	2	575249	T30	8	577557	T34	12
573782	T37	2	575249	T32	13	577557	T35	6
573788	T53	4	575249	T34	4	577586	T53	7
573798	T36	21	575249	T35	2	577620	T31	9
573925000D	T48	6	575249	T48	1	577688	T20	1
573925000P	T48	6	575251	T24	11	577820	T24	11
574052	T36	20	575262	T22	25	577831	T30	14
574053	T51	22	575264	T22	21	577832	T30	19
574147	T36	18	5754610028	T26/A	13	577833	T30	15
574263000D	T31	12	5754610095	T26/A	13	57785300E1	T25	13
574263000P	T31	12	575465	T26/A	15	57785300NC	T25	13
574267	T31	13	575477	T26	9	577871	T35	10
574362	T35	8	575477	T26/A	6	577881	T35	12
574365	T7	7	575478	T26	2	577886	T33	1
574502	T37	2	5756580028	T29	13	577893	T30	19
574503	T37	2	5756590028	T29	3	577973	T26/B	1
5745140042	T26	5	575735	T26	12	577980	T26/B	2
5745140095	T26	5	575735	T26/A	16	577982	T26/B	3
5745160042	T26	8	5757420090	T26	8	577986	T26/B	4
5745160095	T26	8	5757420095	T26	8	577991	T26/B	5
5745180042	T26	7	5757430090	T26	6	58002R	T52	2
5745180095	T26	7	5757430095	T26	6	5801254	T48	22
5745200042	T26	6	5757440090	T26	7	580130	T48	22
5745200095	T26	6	5757440095	T26	7	580141	T46	6
5745210042	T26	4	5757450090	T26	4	580146	T56	2
5745210095	T26	4	5757450095	T26	4	580214	T51	25
5745245028	T27	3	575746	T34	9	58033R	T49	4
5745245040	T27	3	5757520028	T26/A	7	580497	T34	9
5745245042	T27	3	5757520095	T26/A	7	58057R	T49	7
5745245090	T27	3	57575200R4	T26/A	7	58058R	T49	3
5745245095	T27	3	5757540028	T26/A	12	580621	T50	1
57452450R4	T27	3	5757540095	T26/A	12	580659	T52	13
57452450R6	T27	3	57575400R4	T26/A	12	580922	T22	12
5745980042	T26	3	5757550028	T26/A	12	580953	T38	7
5745980095	T26	3	5757550095	T26/A	12	580953	T39	5
5746080042	T26	9	57575500R4	T26/A	12	580953	T39/A	3
5746080095	T26	9	5757560028	T26/A	8	580985	T20	9
5746100042	T26	2	5757560095	T26/A	8	581046	T51	1
5746100095	T26	2	57575600R4	T26/A	8	581069	T37	8
5746110042	T26	1	5757570028	T26/A	9	581190	T51	25
5746110095	T26	1	5757570095	T26/A	9	581191	T51	26
574629	T34	14	57575700R4	T26/A	9	581309	T51	21
574636	T34	2	5757580028	T26/A	9	581371	T48	22
574641	T35	13	5757580095	T26/A	9	581997	T51	1



Code	No. table	Pos.	Code	No. table	Pos.	Code	No. table	Pos.
582116	T38	8	598335	T41/B	11	8274215	T10	1
5821164	T38	8	598336	T41/B	18	82753R	T8	20
582413	T45	2	598339	T41/B	10	8275615	T5	11
582449	T45	6	598341	T41/B	13	827564	T19/A	24
582483	T53	5	598342	T41/B	6	8283445	T6	1
582520	T53	9	598343	T41/B	22	8283465	T2	1
582521	T45	16	598344	T41/B	19	8283685	T1	1
582885	T56	4	598345	T41/B	20	828373	T6	10
583282	T48	19	6200160043	T26/B	6	8291295	T3	5
583337	T52	13	6200160045	T26/B	6	829180	T9	2
583697	T38	14	6200170043	T26/B	6	830056	T18	3
583697	T39	9	6200170045	T26/B	6	830212	T9	15
584014	T48	18	620068	T10	14	832019	T15	11
584016	T47	7	620068	T2	9	832130	T15	11
584017	T47	5	620073	T56	1	833428	T15	7
584018	T47	6	620310	T27	3	833701	T10	10
584019	T47	3	62031000A7	T27	3	844483	T19	15
584020	T48	16	62031000E1	T27	3	844483	T19/A	15
584021	T48	17	620737	T21	6	CM001102	T36	17
584026	T37	8	6208840095	T30	14	CM001215	T34	1
584030	T48	14	621368	T21	2	CM001307	T34	8
584319	T52	13	621564	T22	15	CM001513	T36	7
584458	T48	15	623673	T21	1	CM001903	T22	18
584810	T53	6	709041	T15	6	CM001903	T22	19
59702200NC	T32	3	709047	T55/A	10	CM001904	T22	16
5970225	T32	3	709532	T18	8	CM001907	T22	26
5970225028	T32	3	8156005	T30	9	CM001907	T22	28
5970225040	T32	3	8156005028	T30	9	CM001907	T23	6
5970225042	T32	3	8156005040	T30	9	CM001907	T23	8
5970225090	T32	3	8156005042	T30	9	CM002502	T36	11
5970225095	T32	3	8156005090	T30	9	CM002901	T16	6
59702250E1	T32	3	8156005095	T30	9	CM002901	T36	5
59702250R6	T32	3	81560050R4	T30	9	CM002903	T35	14
597201	T32	2	81560050R6	T30	9	CM002904	T16	2
597248	T54	9	82502R	T8	16	CM002904	T36	16
597491	T55/A	3	825065	T17	5	CM002904	T36	8
597752	T44/A	4	825065	T17/A	13	CM002912	T36	1
598180	T41/A	9	825187	T51	8	CM002912	T36	3
598181	T41/A	8	825327	T19/A	16	CM003901	T36	2
598182	T41/A	12	8253595	T17	14	CM004126	T36	10
598183	T41/A	1	825376	T6	4	CM004126	T36	6
598187	T41/A	2	82539R	T10	8	CM005501	T33	1
598188	T41/A	2	82545R	T10	10	CM012801	T31	1
598189	T41/A	13	82566R	T17	2	CM060402	T15	1
598190	T41/A	3	82571R	T5	10	CM062301	T39/A	1
598191	T41/A	5	825843	T17	10	CM062302	T38	1
598192	T41/A	4	825865	T16	6	CM063601	T38	2
598193	T41/A	7	825868	T19/A	20	CM063701	T38	2
598194	T41/A	11	82592R	T36	12	CM063701	T39/A	6
598198	T41/A	10	826009	T5	11	CM063804	T39	7
598199	T41/A	6	82608R	T13	13	CM064301	T38	2
598242	T40	8	826115	T51	3	CM064401	T39/A	6
598320	T41/B	9	826185	T17/A	7	CM064502	T54	2
598321	T41/B	8	826189	T5	13	CM068001	T38	1
598322	T41/B	12	82622R	T5	10	CM068001	T39/A	1
598323	T41/B	14	8262495	T2	1	CM068002	T38	1
598324	T41/B	1	8262515	T2	1	CM068002	T39/A	1
598325	T41/B	2	826275	T48	8	CM071803	T49	4
598326	T41/B	2	826800	T8	5	CM074901	T38	2
598327	T41/B	16	8268035	T10	17	CM101509	T13	12
598328	T41/B	17	8268055	T10	7	CM101605	T13	11
598329	T41/B	21	827084	T11	3	CM101738	T17	3
598330	T41/B	15	827085	T15	12	CM101904	T17/A	3
598331	T41/B	3	827170	T19/A	19	CM102204	T17/A	5
598332	T41/B	5	827192	T19/A	1	CM1024015	T9	9
598333	T41/B	4	827193	T19/A	23	CM102901	T9	11
598334	T41/B	7	827396	T10	9	CM107704	T17	9



GILERA[®]

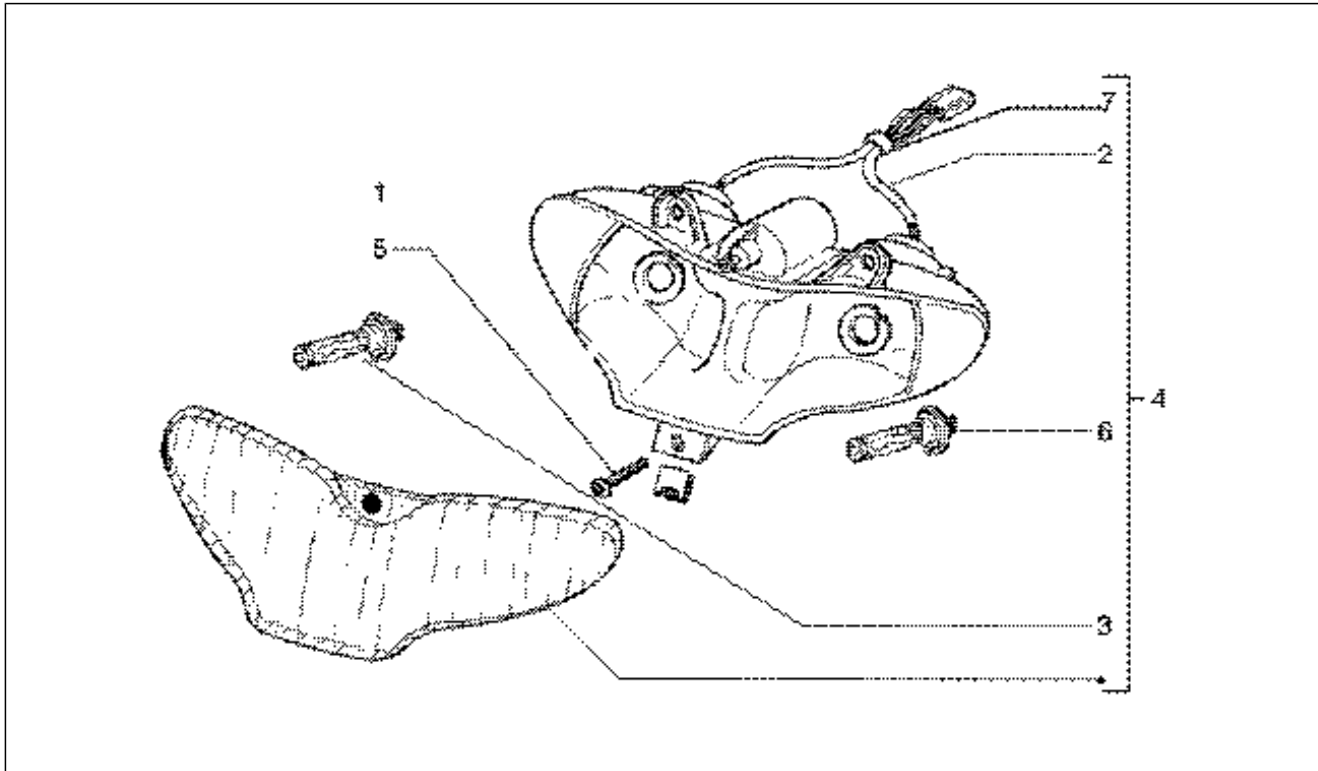
Historical catalogs 1998-2005
475 Runner 125 FX 2T

Chassis prefix: ZAPM07000
Engine prefix: M071M

Code	No. table	Pos.
CM107705	T17	11



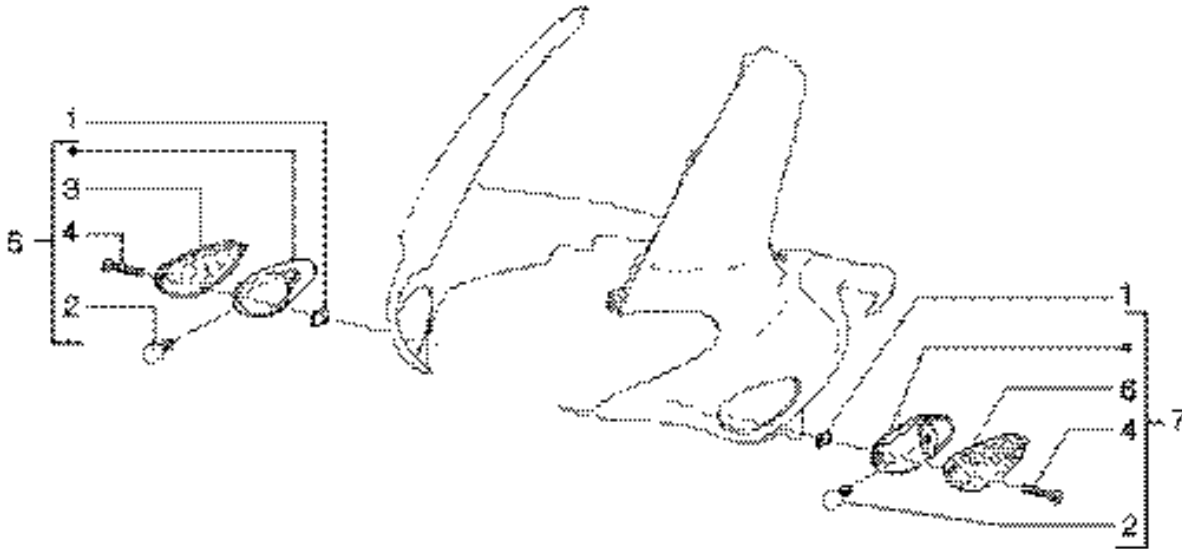
Group	Electrical equipment
Code	T46
Description	Optical unit
Service	1



Pos.	Code	Description	Qty	Variants
1	254485	Spring plate M6	2	
2	294501	Cable harness	1	
3	294353	Lamp H7 12V-55W	1	
4	294382	Light assembly	1	
5	259830	Metric screw M6x20	3	
6	580141	Lamp H1 12V-55W	1	
7	145298	Lock-strap L=180mm	1	



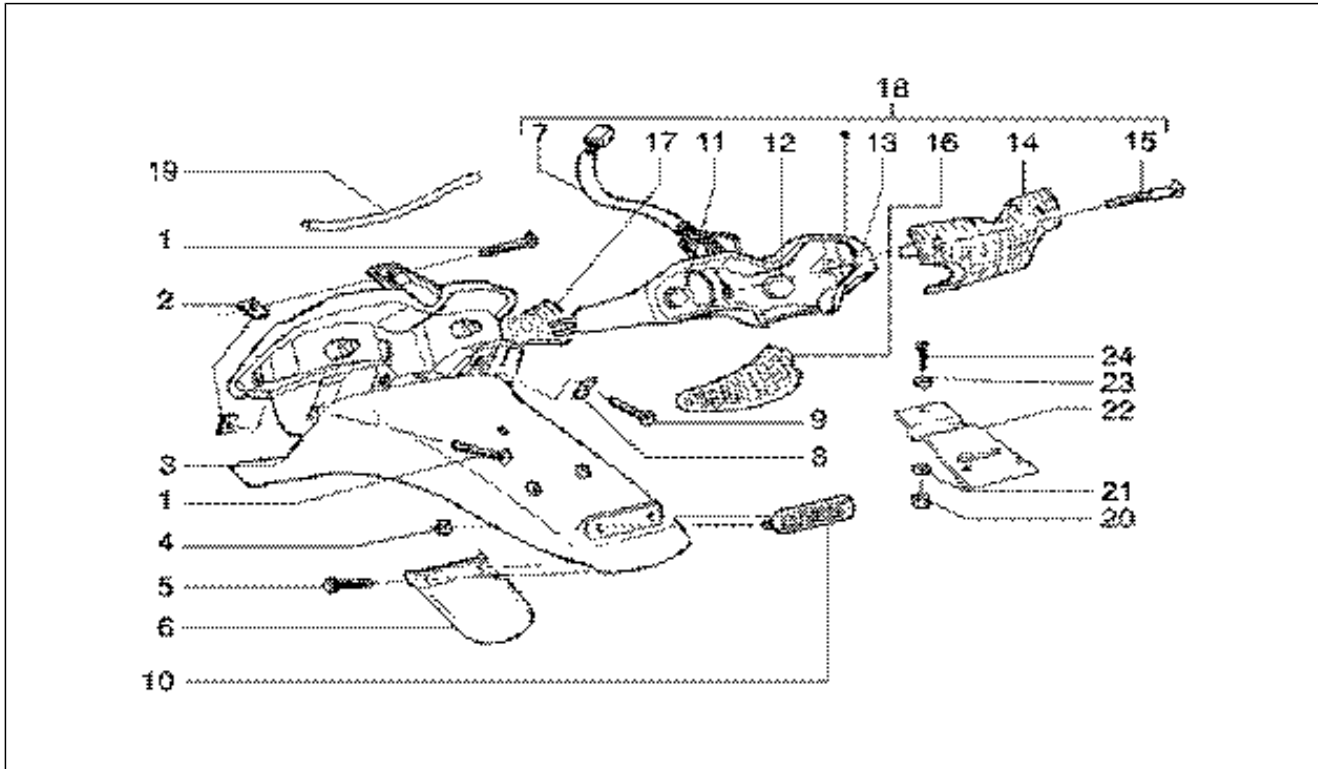
Group	Electrical equipment
Code	T47
Description	Front direction indicators
Service	1



Pos.	Code	Description	Qty	Variants
1	266005	Spring plate	2	
2	181746	Lamp 12V-10W	2	
3	294568	Glass	1	
3	584019	Glass	1	
4	015994	Screw 3,5x19*	2	
5	294567	Turn sig. lamp	1	
5	584017	Turn sig. lamp	1	
6	584018	Glass	1	
6	294566	Glass	1	
7	294562	Turn sig. lamp	1	
7	584016	Turn sig. lamp	1	



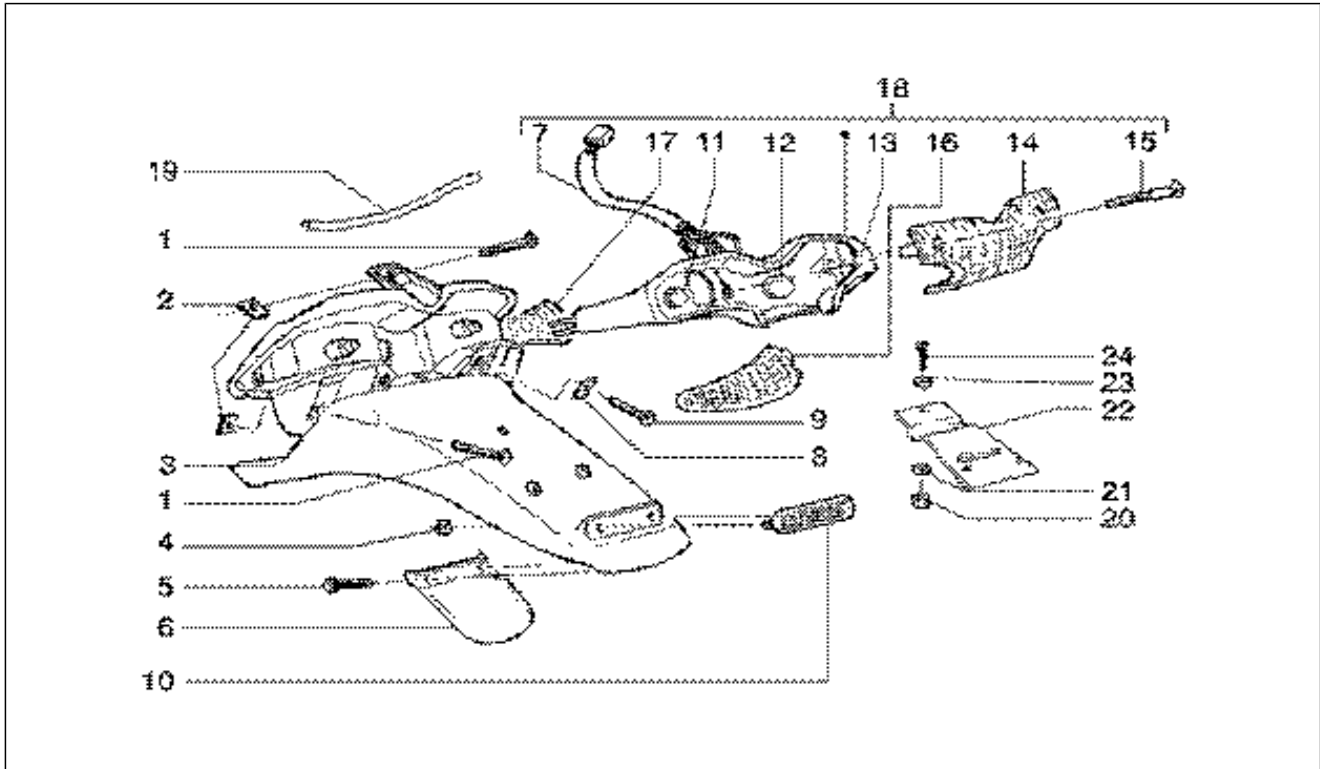
Group	Electrical equipment
Code	T48
Description	Rear tail lamp
Service	1



Pos.	Code	Description	Qty	Variants
1	575249	Metric screw TBC	3	
2	254485	Spring plate M6	3	
3	298136000P	Guard	1	
3	298136000D	Rear guard	1	
4	181351	Spring plate	2	
5	297498	Self tapping screw	2	
6	573925000P	Splash guard	1	
6	573925000D	Guard	1	
7	293565	Cable harness	1	
8	196272	Plate	2	
8	826275	Spring plate	2	
9	015715	Screw M5x16	2	
10	294519	Reflector	1	
11	181746	Lamp 12V-10W	1	
12	129953	Lamp 12V-21/5W	1	
13	181746	Lamp 12V-10W	2	
14	584030	Glass	1	
14	294528	Glass	1	
15	584458	Self tapping screw	2	
15	290944	Self-tapping screw with plastic big end	2	
16	584020	Glass	1	
16	294786	Glass	1	
17	584021	Glass	1	
17	294787	Glass	1	
18	584014	Headlight	1	
18	294508	Taillight	1	
19	583282	Guard	2	
20	020104	Nut M4	3	



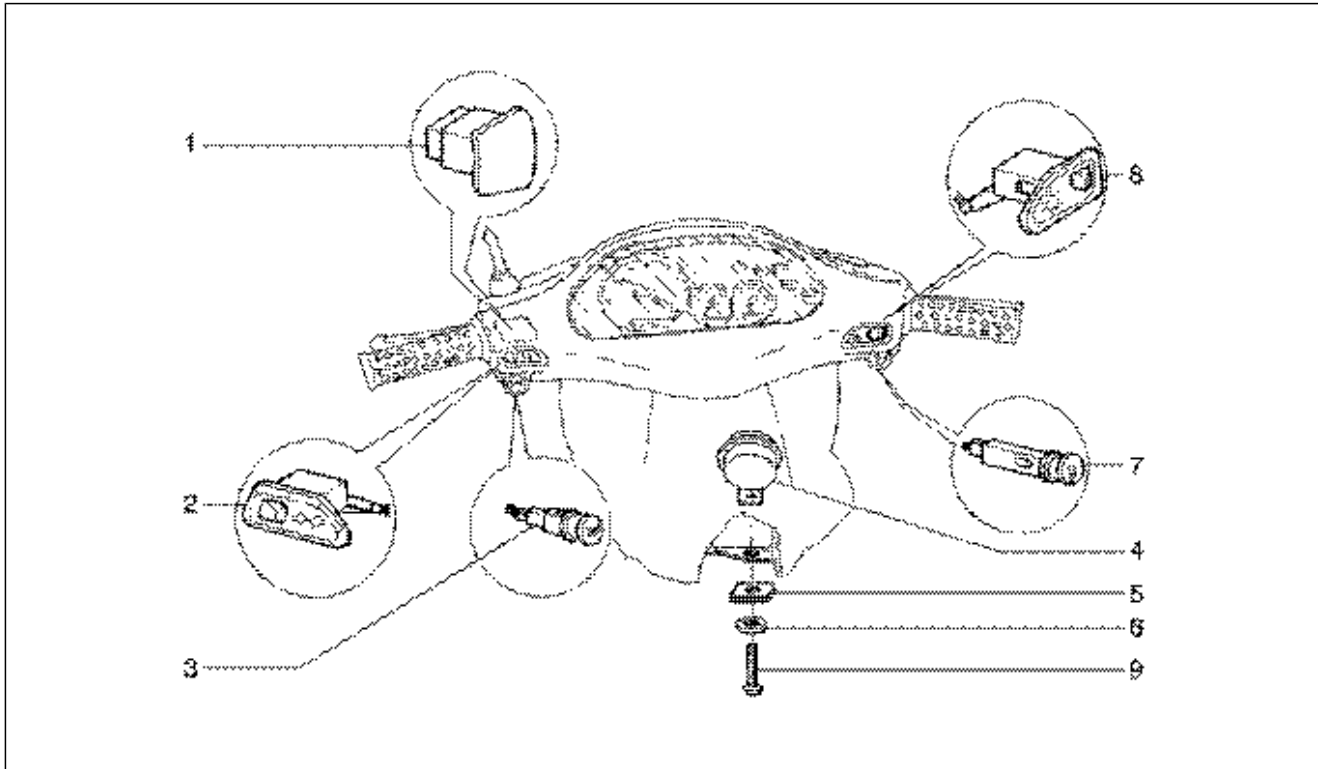
Group	Electrical equipment
Code	T48
Description	Rear tail lamp
Service	1



Pos.	Code	Description	Qty	Variants
21	016404	Flat washer 4,2x7,6x0,9	3	
22	580130	License plate	1	
22	5801254	License plate	1	
22	581371	License plate	1	
23	013763	Flat washer 4,2x12x1	3	
23	013754	Washer	3	
24	018591	screw M4x14	3	
25	291009	License plate	1	



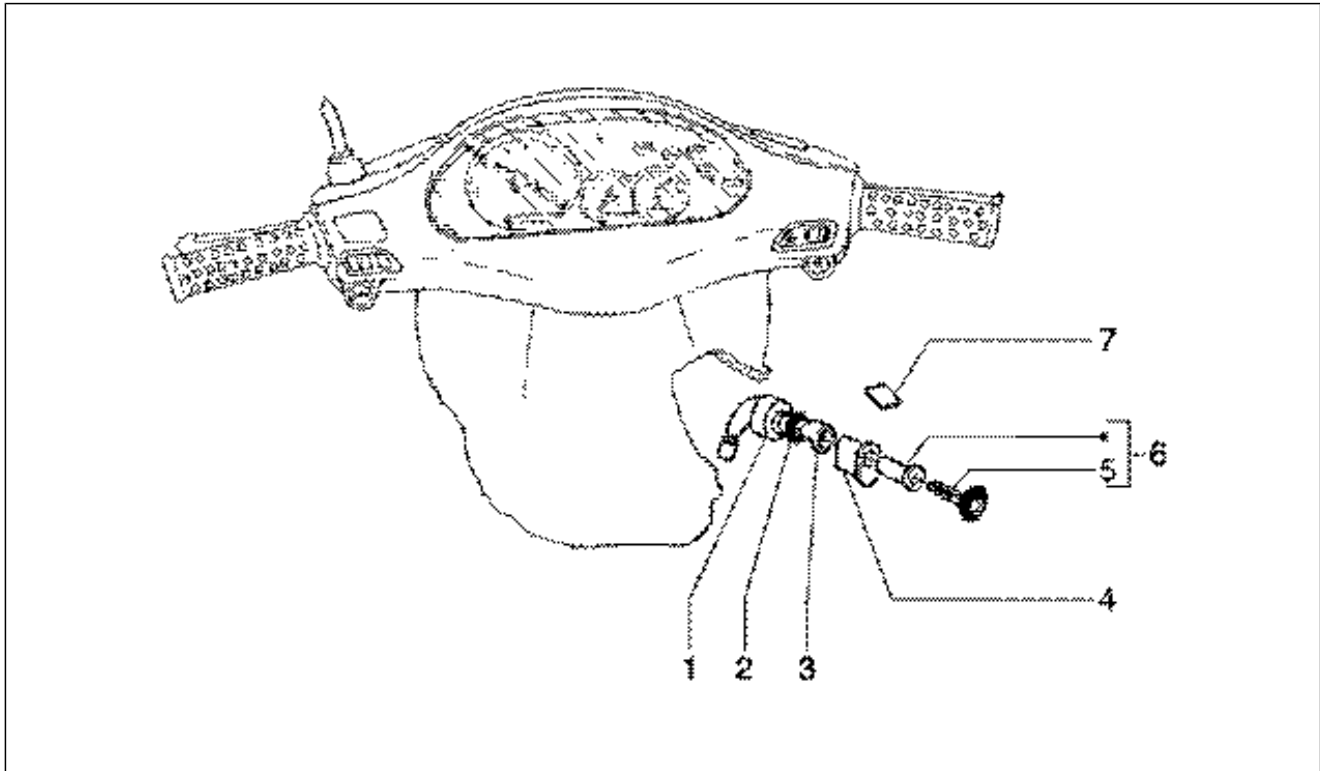
Group	Electrical equipment
Code	T49
Description	Electrical devices
Service	1



Pos.	Code	Description	Qty	Variants
1	294341	Headlight selector	1	
2	294342	Turn signal lamps switch	1	
3	58058R	Horn button	1	
3	293550	Horn button	1	
4	58033R	Horn	1	
4	CM071803	Horn	1	
5	254485	Spring plate M6	1	
6	016406	Spring washer 6,4x11,8x1	1	
7	293549	Start pushbutton	1	
7	58057R	Start pushbutton	1	
8	294340	Light switch	1	
9	434541	Screw w/ flange M6x16	1	
9	015558	Screw m16x16	1	



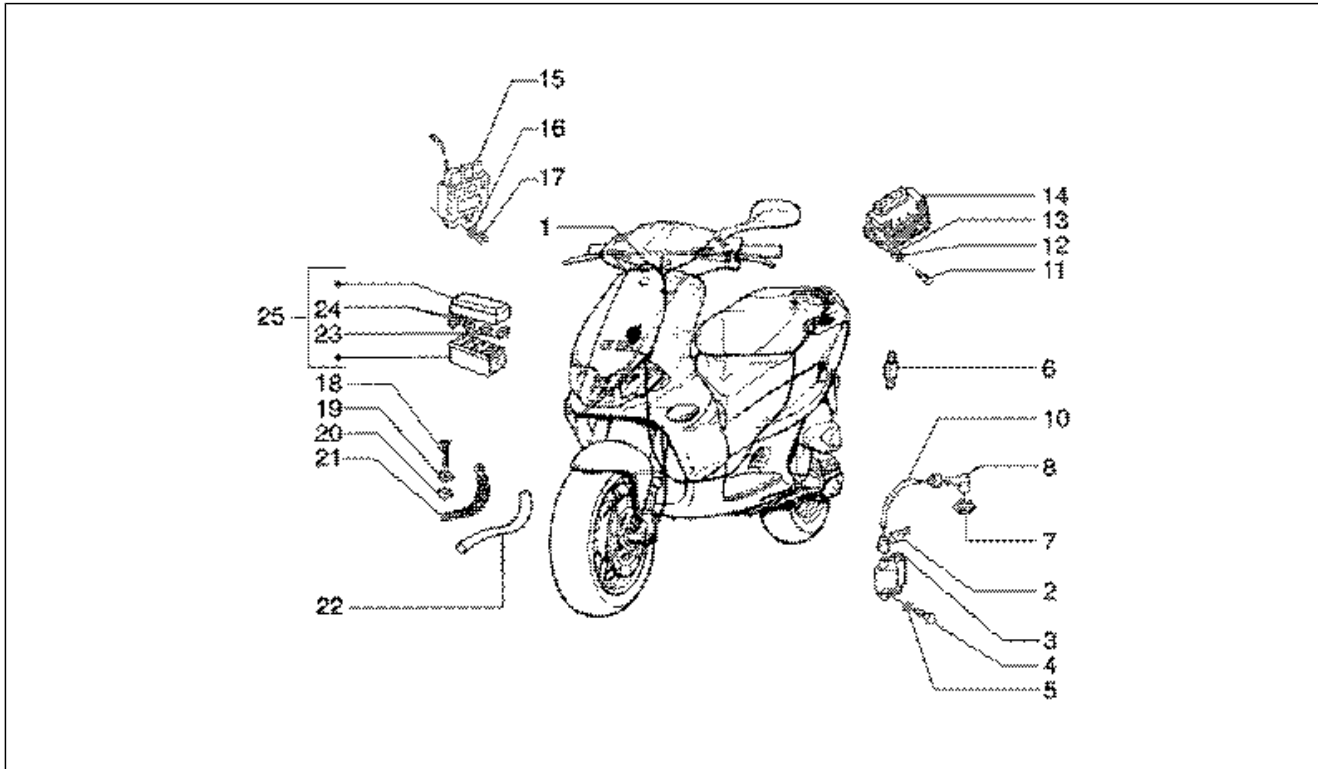
Group	Electrical equipment
Code	T50
Description	Electrical devices
Service	1



Pos.	Code	Description	Qty	Variants
1	294836	Key switch	1	
1	580621	Key switch	1	
2	253937	Spring	1	
3	298903	Complete lock block	1	
4	298581	Lock body	1	
5	576719	Key blank	1	
6	576718	Lock,assy	1	
7	298838	Cylinder retainer spring	1	



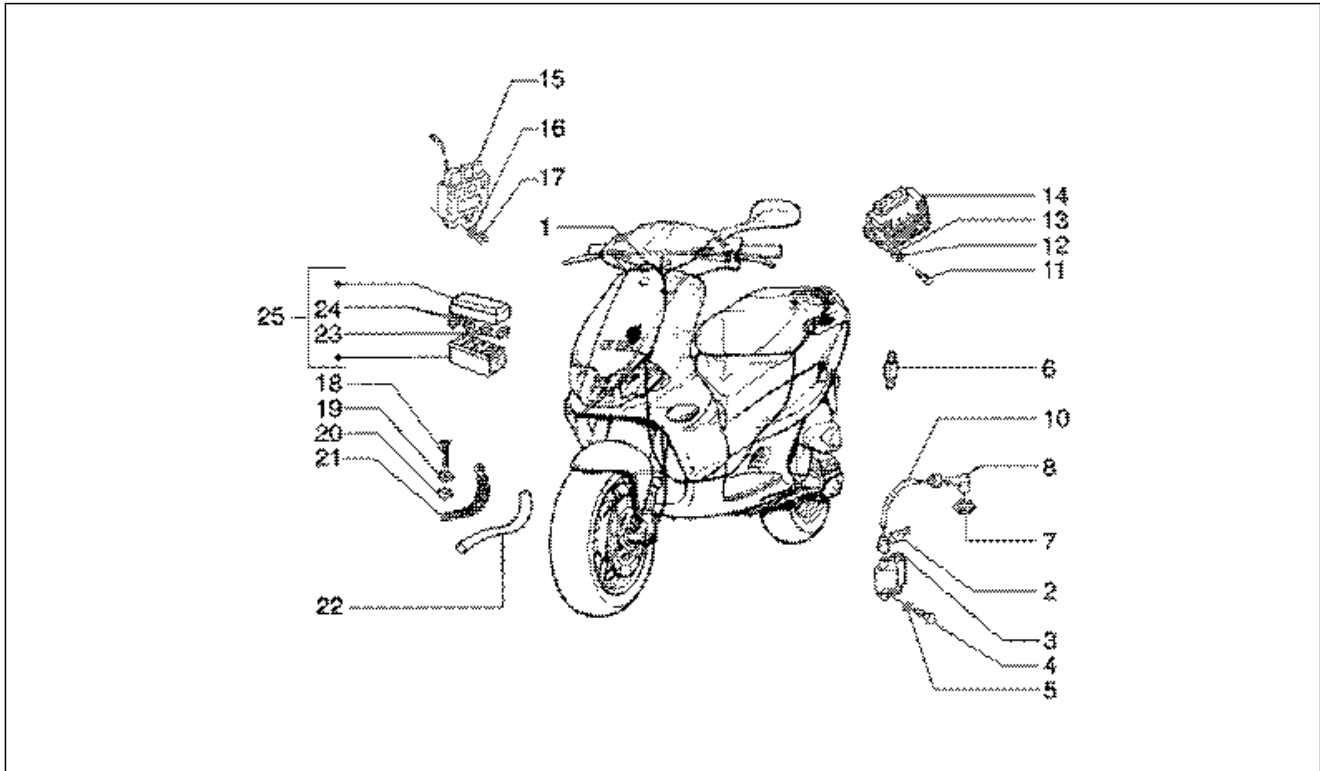
Group	Electrical equipment
Code	T51
Description	Electrical devices
Service	1



Pos.	Code	Description	Qty	Variants
1	294881	Cable harness	1	
1	581997	Cable harness	1	
1	581046	Cable harness	1	
2	231571	Insulating cap	1	
3	826115	Electronic control unit	1	
4	031056	screw M5x12	2	
5	016405	Spring washer 8,5x5,1x1,5	2	
6	294163	Diode	1	
7	114164	Fairlead	1	
8	103936	Screened cap	1	
8	825187	Screened cap	1	
8	2559835	Screened cap	1	
10	080341	H.V. cable	1	
11	434541	Screw w/ flange M6x16	2	
12	016406	Spring washer 6,4x11,8x1	2	
13	003056	Flat washer 6,4x12x1	2	
14	292033	Regulator	1	
15	2933525	Device	1	
16	016686	Flat washer 5,2x18x1,5	2	
17	241937	Self locking nut M5	2	
18	031088	screw M6x16	1	
19	003056	Flat washer 6,4x12x1	1	
20	016406	Spring washer 6,4x11,8x1	1	
21	294940	Eart braid	1	
21	581309	Earth braid	1	
22	574053	Insulating sheath	1	
23	252945	Fuse 7,5A	2	
24	292507	Reed fuse 10A	2	



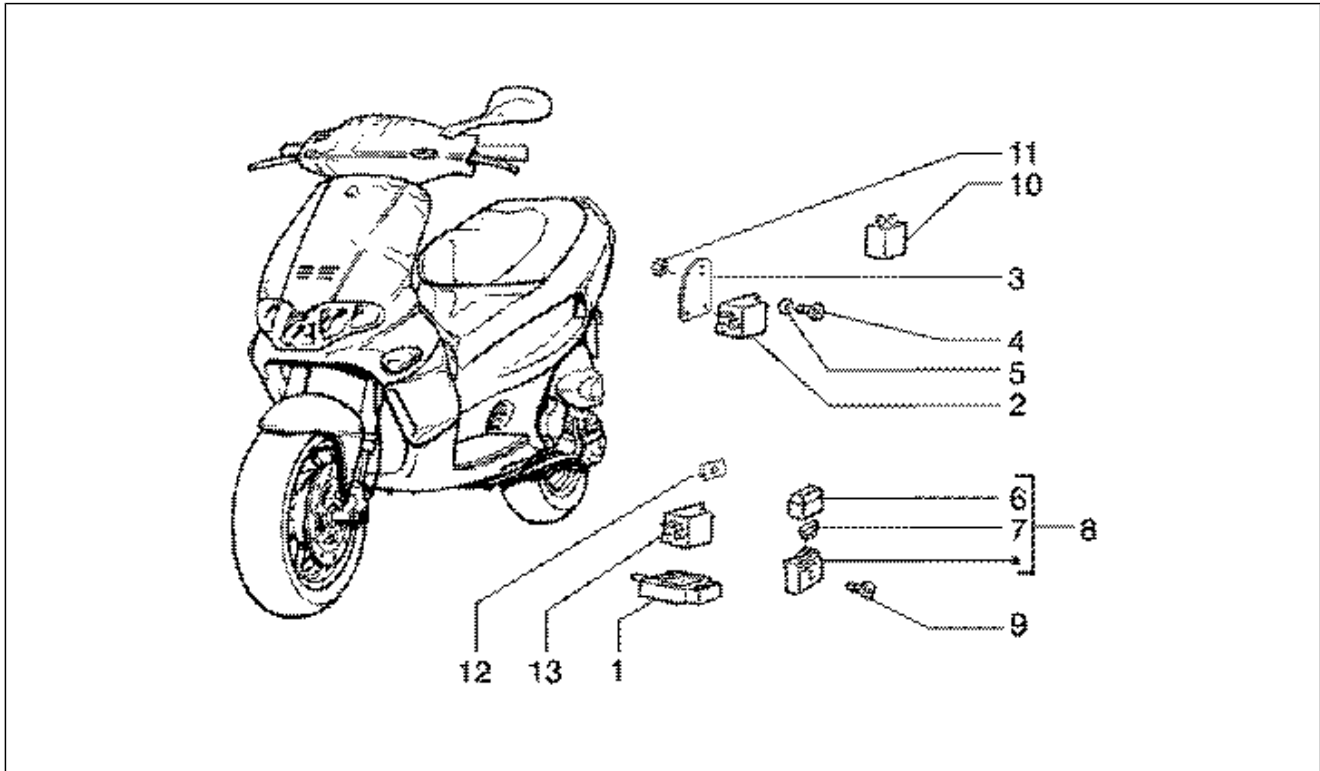
Group	Electrical equipment
Code	T51
Description	Electrical devices
Service	1



Pos.	Code	Description	Qty	Variants
25	580214	Fuse holder	1	
25	581190	Fuse holder	1	
26	581191	Plug	1	



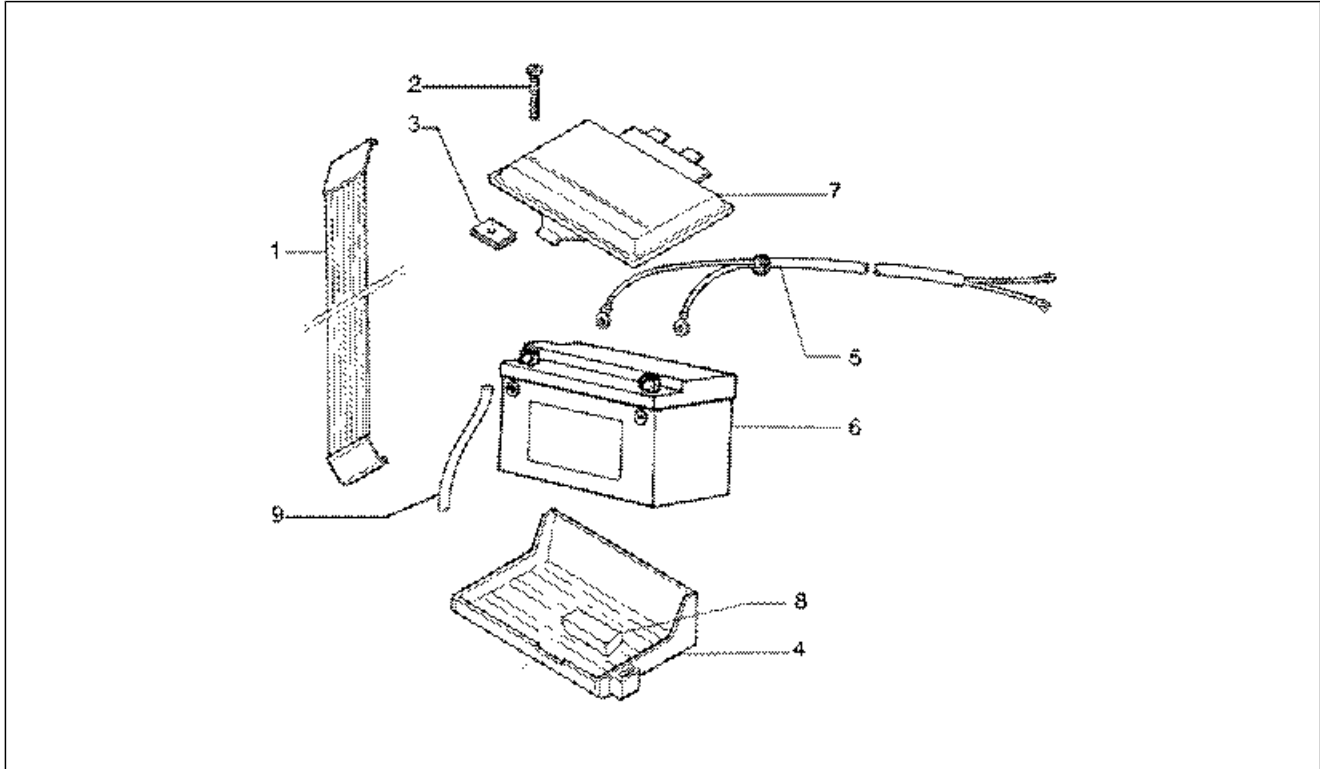
Group	Electrical equipment
Code	T52
Description	Electrical devices
Service	1



Pos.	Code	Description	Qty	Variants
1	291017	Flexible support	1	
2	58002R	Relay 12V-30A	1	
3	573583	plate	1	
4	015946	screw	1	
5	003056	Flat washer 6,4x12x1	1	
6	290404	Cover	1	
7	291570	Fuse 25A	1	
8	293347	Fuse holder	1	
9	576189	Self-tap screw	2	
9	259349	Screw M4,2x13	1	
10	2910162	Unit turn signal lamps	1	
11	288245	Self locking nut M6	1	
12	185802	Spring plate	2	
12	196272	Plate	1	
13	580659	Turn indicators control device with check	1	
13	583337	Rem. control switch 80a	1	
13	584319	Rem. control switch	1	



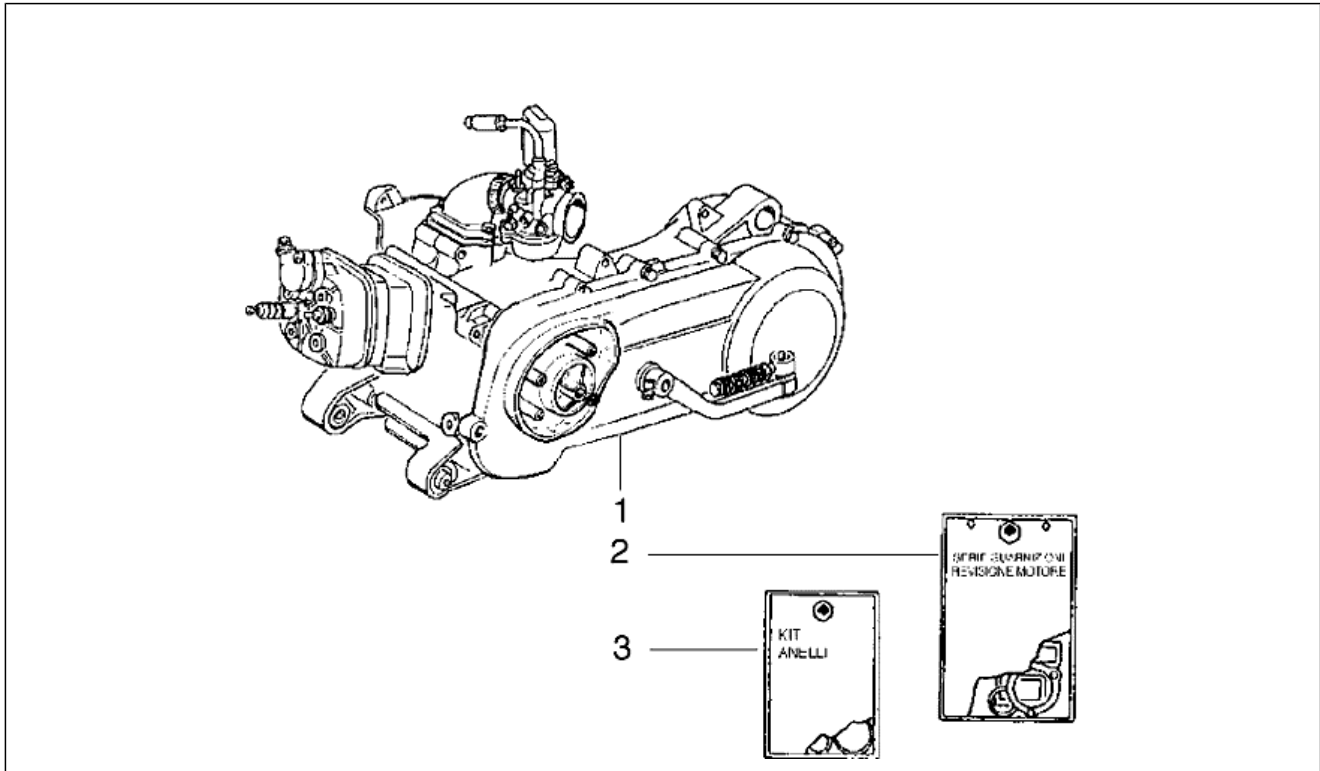
Group	Electrical equipment
Code	T53
Description	Battery
Service	1



Pos.	Code	Description	Qty	Variants
1	090854	Strip	1	
2	015911	Self tapping screw 4,2x16	1	
3	196272	Plate	1	
4	575243	Float chamber	1	
4	573788	Float chamber	1	
4	577313	Pad	1	
5	582483	Cable harness	1	
5	294937	Cable harn.	1	
6	584810	Battery 12V-9Ah	1	
6	2188235	Battery 12V-9Ah	1	
7	575951	Not available	1	
7	576170	Battery cover	1	
7	577586	Battery cover	1	
8	297446	Pad	1	
9	582520	Breather pipe	1	



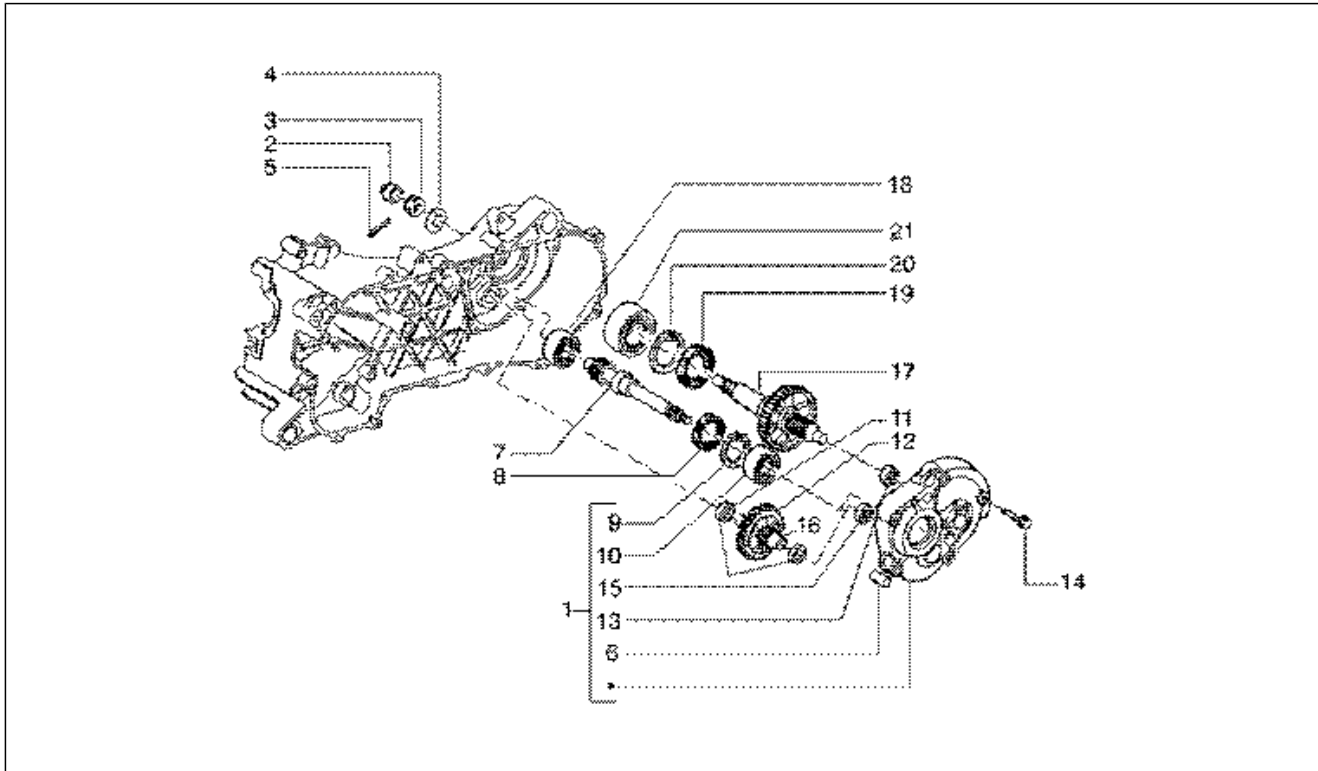
Group	Engine
Code	T1
Description	Engine
Service	1



Pos.	Code	Description	Qty	Variants
1	8283685	Engine	1	
1	4854805	Engine	1	
2	494707	***GASKET SET RUNNER 125/180 U	1	
3	494706	Ring kit	1	



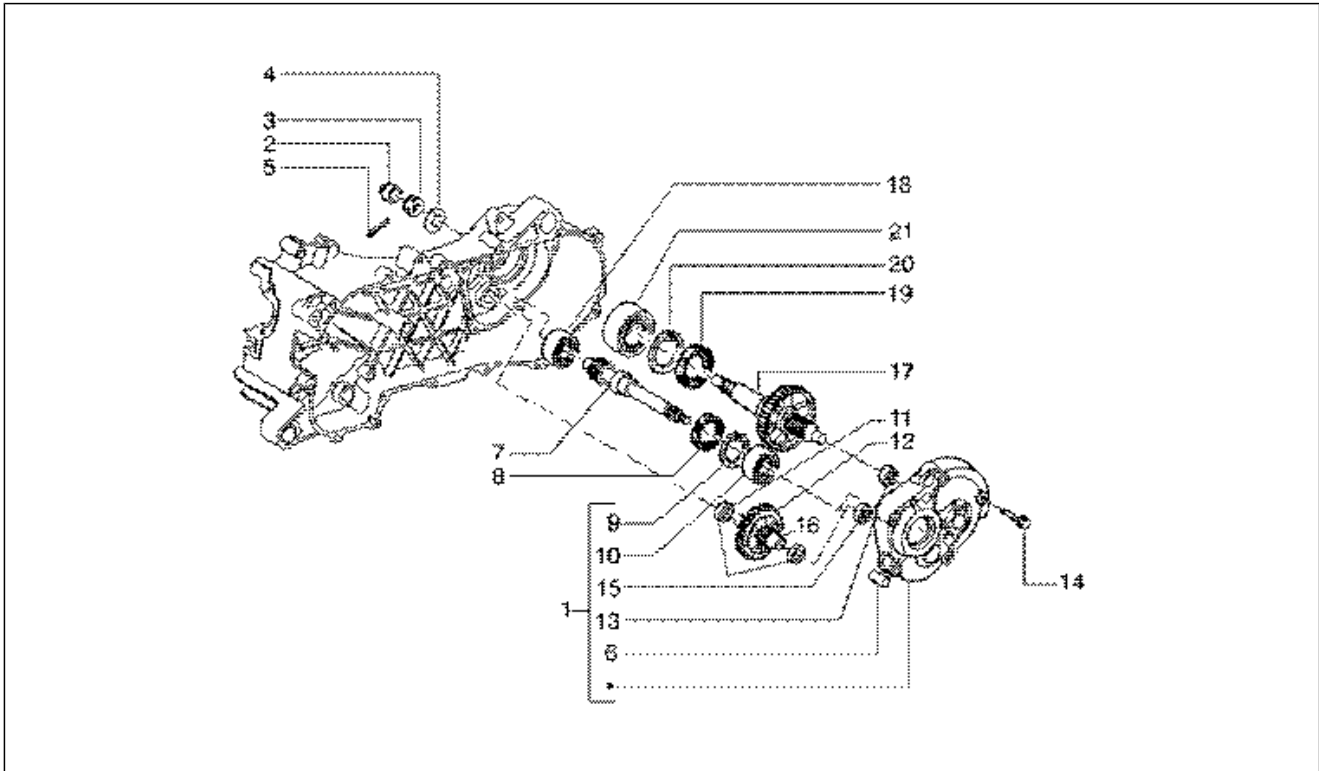
Group	Engine
Code	T10
Description	Rear wheel shaft
Service	1



Pos.	Code	Description	Qty	Variants
1	4872495	Cover	1	
1	8274215	Cover	1	
2	194423	Nut hold cap	1	
3	563728	Nut M16x13	1	
4	273099	Plain washer 34,8x16,2x3	1	
5	012789	Split pin	1	
6	239388	Pin 6,5x9,5x15	2	
7	4340135	Pulley shaft	1	
7	8268055	Pulley shaft	1	
8	82539R	Gasket ring	1	
8	430391	Ring	1	
9	827396	Circlip	1	
9	433748	Circlip	1	
9	482530	Gasket ring	1	
10	82545R	Ball bearing	1	
10	833701	Radial ball bearing 20x47x14	1	
11	433368	Washer	2	
11	485683	Washer	2	
11	485684	Washer	2	
11	485701	Washer	2	
11	485682	Washer	2	
11	485681	Washer	2	
11	485685	Washer	2	
12	4856365	Gear	1	
12	4824875	Transmission shaft	1	
12	4855275	Toothed wheel	1	
13	174710	Roller cage	1	
14	620068	Screw	5	



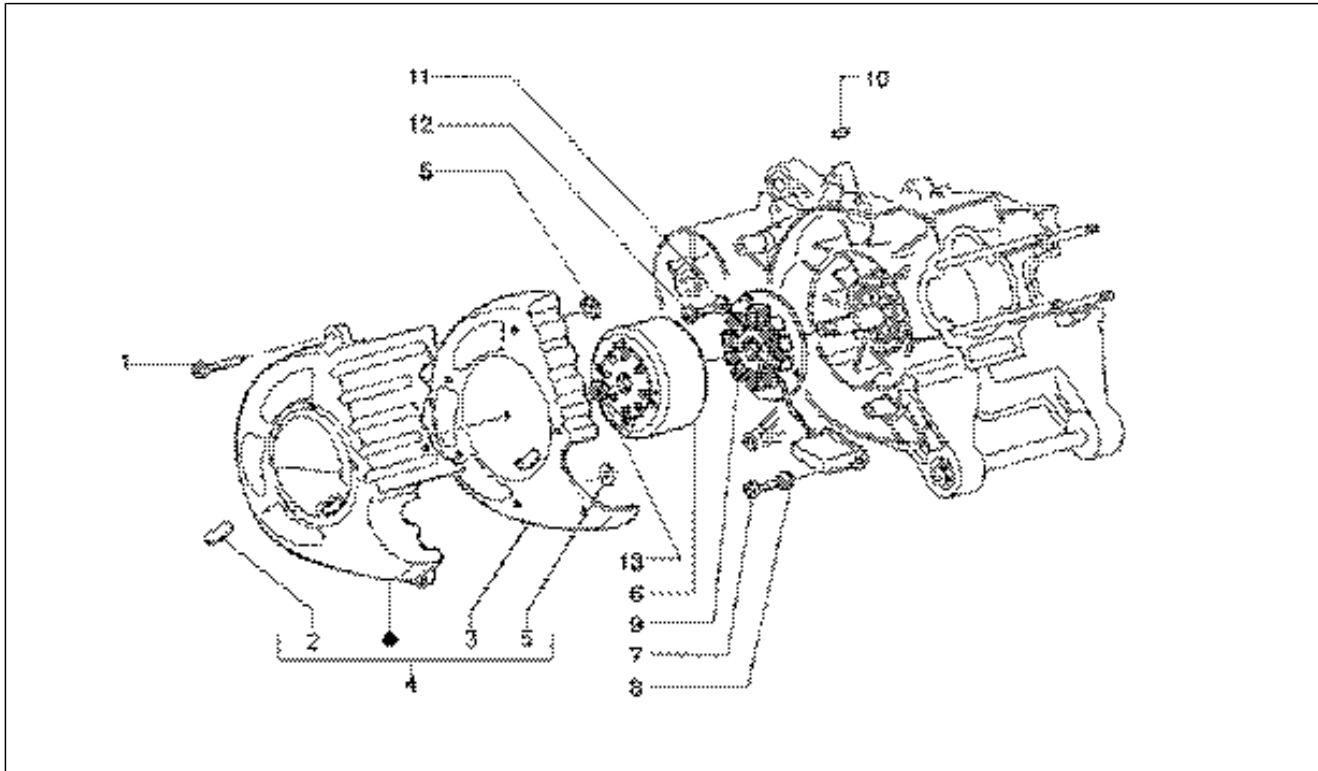
Group	Engine
Code	T10
Description	Rear wheel shaft
Service	1



Pos.	Code	Description	Qty	Variants
15	430228	Roller cage	1	
16	4855285	Spline	1	
17	8268035	Wheel axle	1	
17	483855	Wheel axle	1	
18	431256	Bearing	1	
19	478498	Gasket ring	1	
20	006647	Circlip	1	
21	434735	Bearing 20x47x14	1	



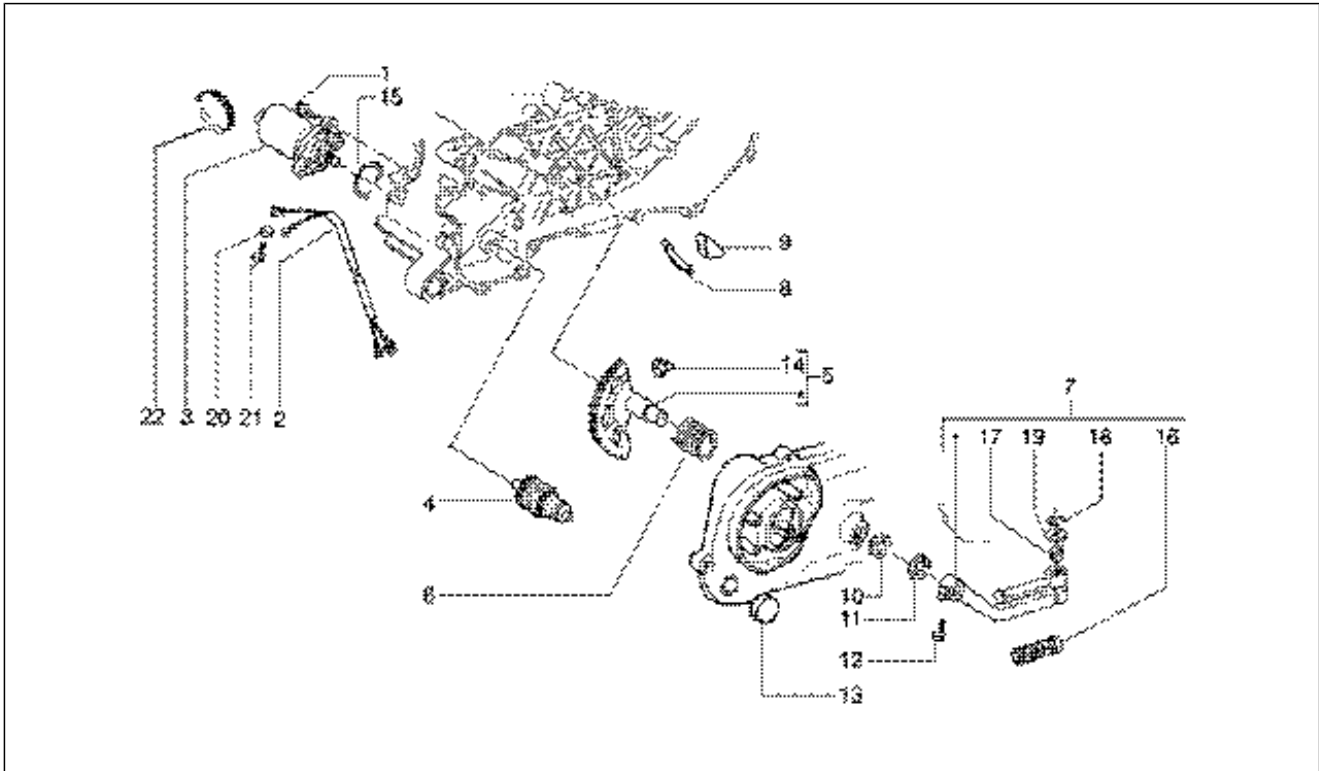
Group	Engine
Code	T11
Description	Flywheel magneto
Service	1



Pos.	Code	Description	Qty	Variants
1	015856	screw M5x21	3	
2	434703	Cover	1	
3	827084	Soundproofing material	1	
4	487924	Cover	1	
4	484914	Cover	1	
5	085508	Plate	8	
6	293390	Rotor	1	
7	015585	Self-tapping screw M5x12	4	
8	006975	Washer $\varnothing 5,3 \times \varnothing 10 \times 0,5$	5	
9	293391	Coil support	1	
10	000267	Transmission key	1	
11	006975	Washer $\varnothing 5,3 \times \varnothing 10 \times 0,5$	2	
12	015715	Screw M5x16	3	
13	436783	Flanged nut M12	1	



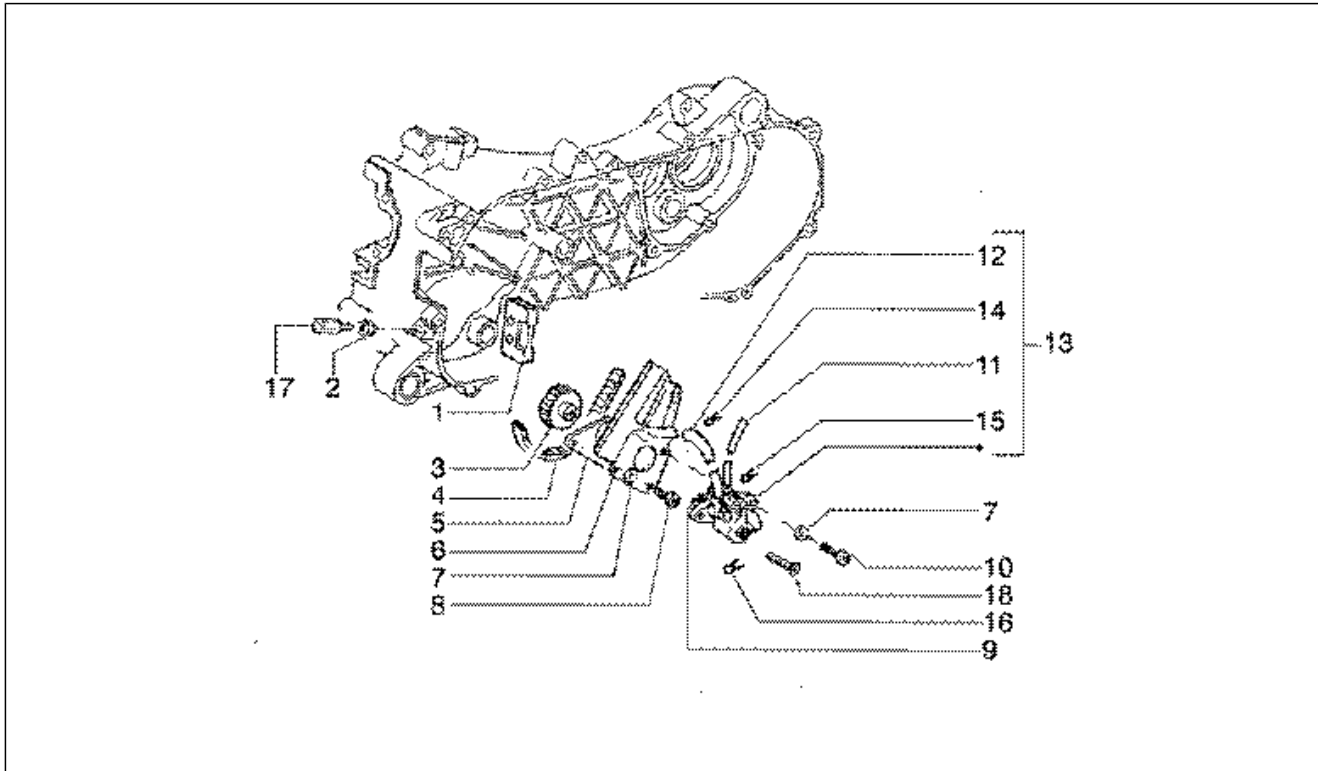
Group	Engine
Code	T12
Description	Starting motor-starter lever
Service	1



Pos.	Code	Description	Qty	Variants
1	414838	screw M6x35	3	
2	294941	Cable harn.	1	
3	289094	Starter motor	1	
4	431321	Starter motor gear	1	
5	434087	Start.shaft	1	
6	289495	Starter lever return spring	1	
7	286214	Starter lever	1	
8	286206	Plate	1	
9	286207	Pad	1	
10	433987	Washer 16,3x23,8	1	
11	006635	Snap ring	1	
11	006416	Circlip	1	
12	414837	Screw w/ flange M6x25	1	
13	483859	Cover	1	
14	433603	Pad	1	
15	224962	Gasket	1	
16	286217	Guard	1	
17	286218	Spring	1	
18	288041	Ring	1	
19	286219	Washer 10,1x2,5	1	
20	016404	Flat washer 4,2x7,6x0,9	1	
21	018644	screw	1	
22	433459	Hose clamp	1	



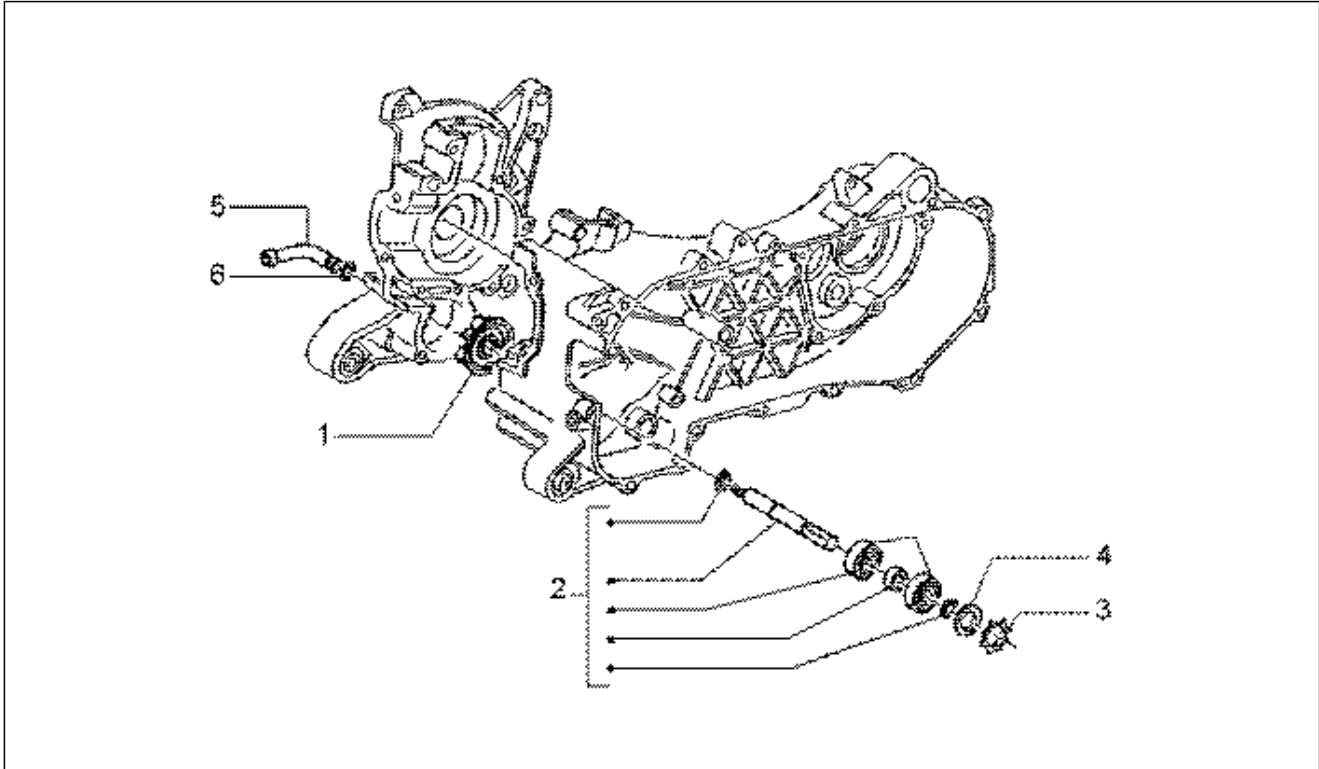
Group	Engine
Code	T13
Description	Oil pump
Service	1



Pos.	Code	Description	Qty	Variants
1	272848	Fairlead	1	
2	020106	Nut M6	1	
3	289262	Oil pump gear, cpl.	1	
4	431370	Belt	1	
5	286163	plate	1	
6	483742	Guard	1	
7	006975	Washer Ø5,3xØ10x0,5	3	
8	245816	screw	1	
9	104296	Spring clamp	1	
10	015585	Self-tapping screw M5x12	1	
11	286165	Oil pipe	1	
11	CM101605	Oil outlet pipe	1	
12	483633	pipe	1	
12	CM101509	Oil inlet pipe	1	
13	82608R	Oil pump	1	
14	486149	Hose clamp	1	
15	288327	Hose clamp	1	
16	289309	Hose clamp	1	
17	146197	Adjuster screw	1	
18	015856	screw M5x21	2	



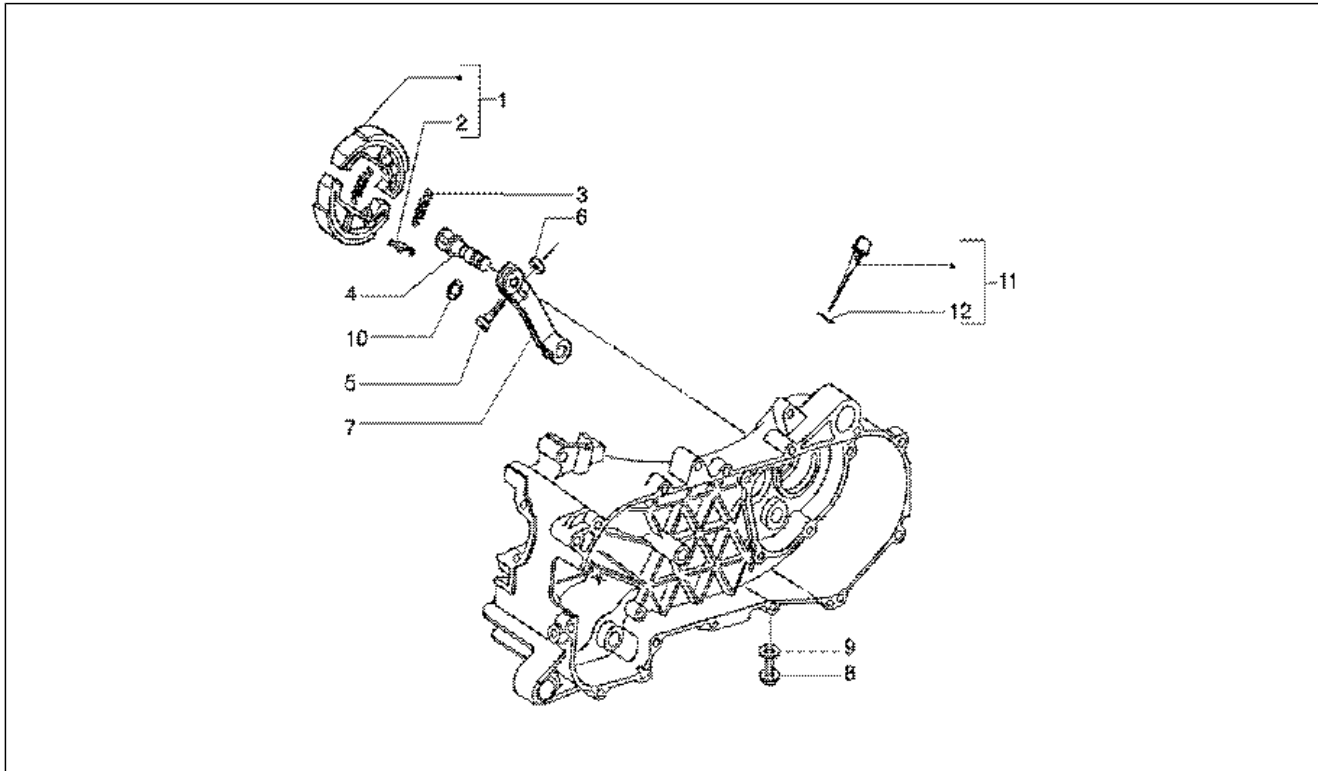
Group	Engine
Code	T14
Description	Water pump
Service	1



Pos.	Code	Description	Qty	Variants
1	487167	Rotor	1	
2	4335935	Water pump	1	
3	289553	Stop ring	1	
4	289554	Thrust washer	1	
5	433716	pipe	1	
6	434468	Gasket ring	1	



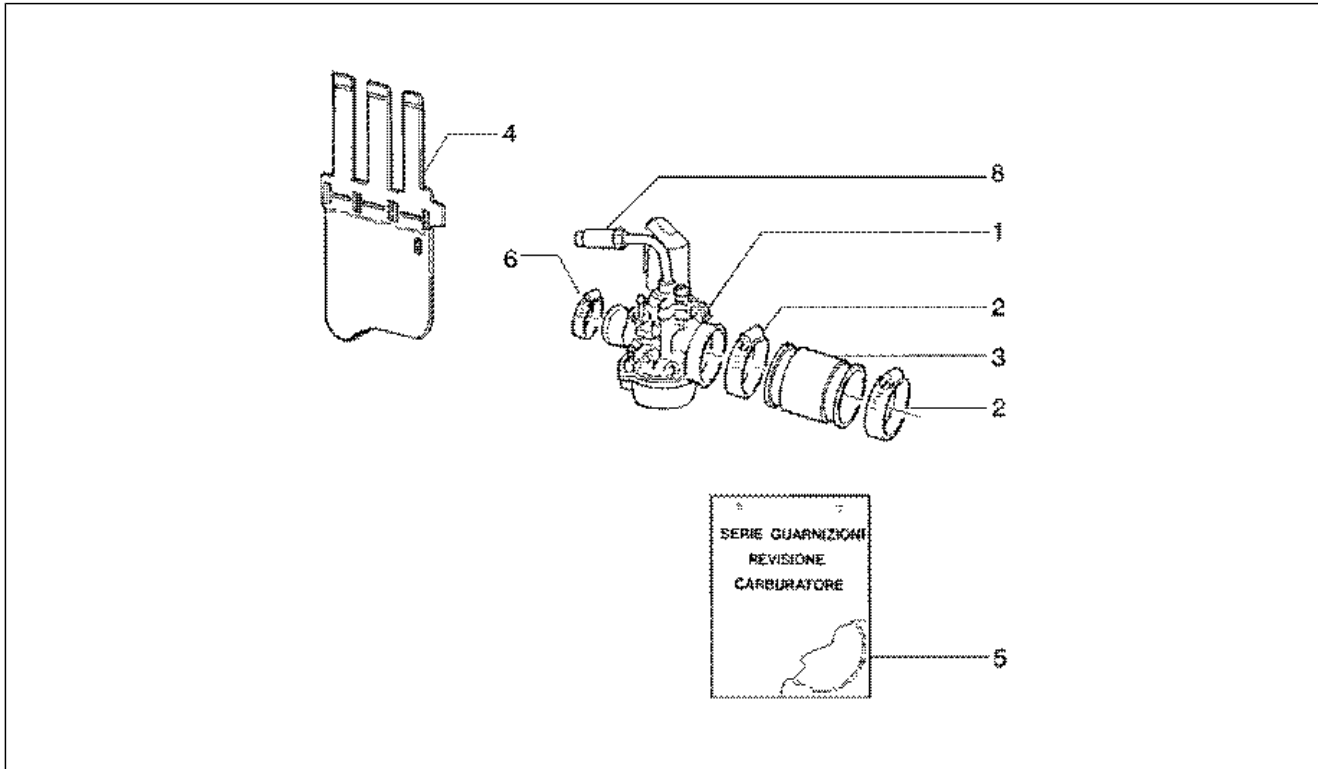
Group	Engine
Code	T15
Description	Brake caliper
Service	1



Pos.	Code	Description	Qty	Variants
1	CM060402	Pair of brake shoes	1	
2	266724	Plate	2	
3	266725	Brake shoes return spring	2	
4	274245	Brake lever shaft	1	
5	414837	Screw w/ flange M6x25	1	
6	709041	Nut	1	
7	833428	Rear brake lever	1	
8	269755	Hex socket screw M8x12	1	
9	000397	Gasket	1	
9	485703	Washer 8.2x12x1	1	
10	273419	Gasket ring	1	
11	832019	Oil dipstick	1	
11	832130	Complete oil level dipstick	1	
12	483851	Gasket	1	
12	827085	Gasket ring 14,43x9,19x2,62	1	



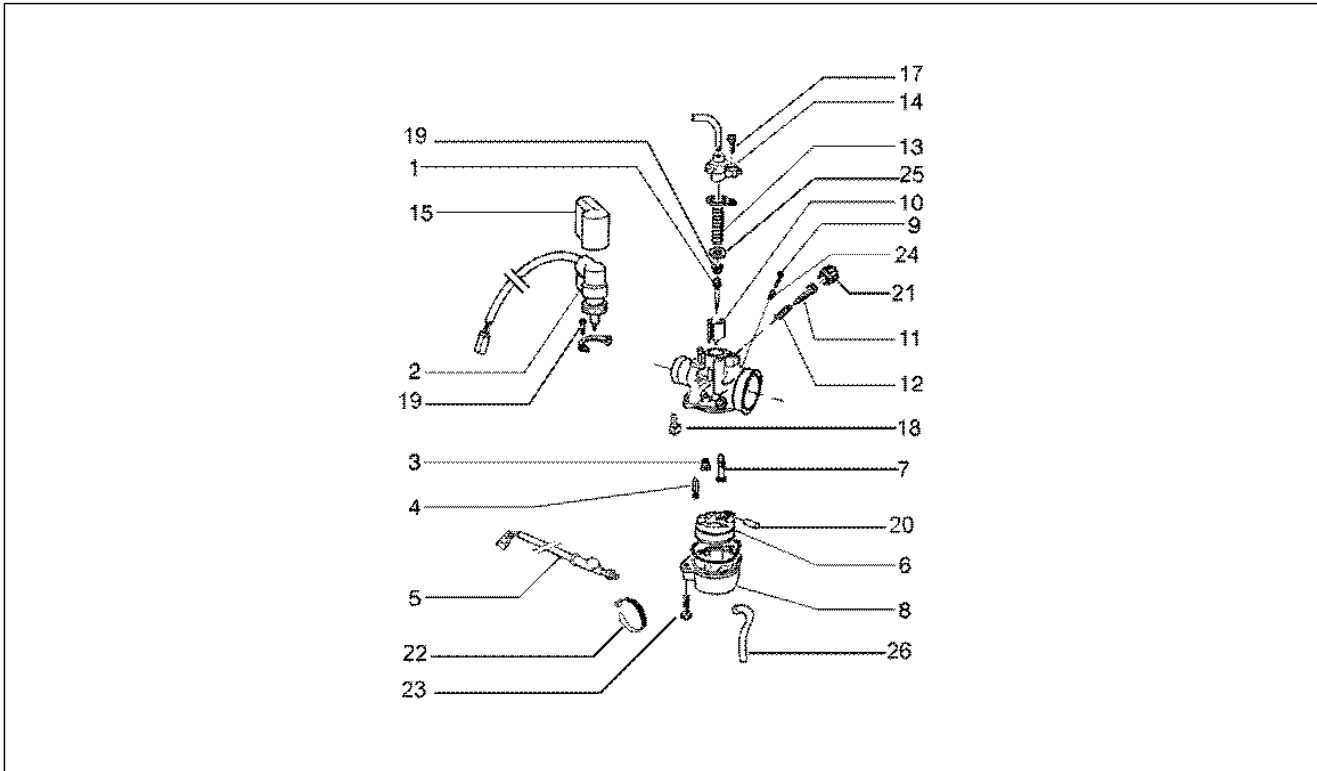
Group	Engine
Code	T16
Description	Carburettor
Service	1



Pos.	Code	Description	Qty	Variants
1	484898	Carburettor	1	
2	CM002904	Hose clamp	2	
2	109960	Hose clamp	2	
3	436096	pipe	1	
3	432147	pipe	1	
4	576359	Splash guard	1	
5	498412	***GASKET SET	1	
5	498413	***GASKET SET	1	
6	CM002901	Hose clamp	1	
6	825865	Hose clamp	1	
7	432071	Float chamber dump pipe L=130	1	
8	289903	Throttle cable cap	1	



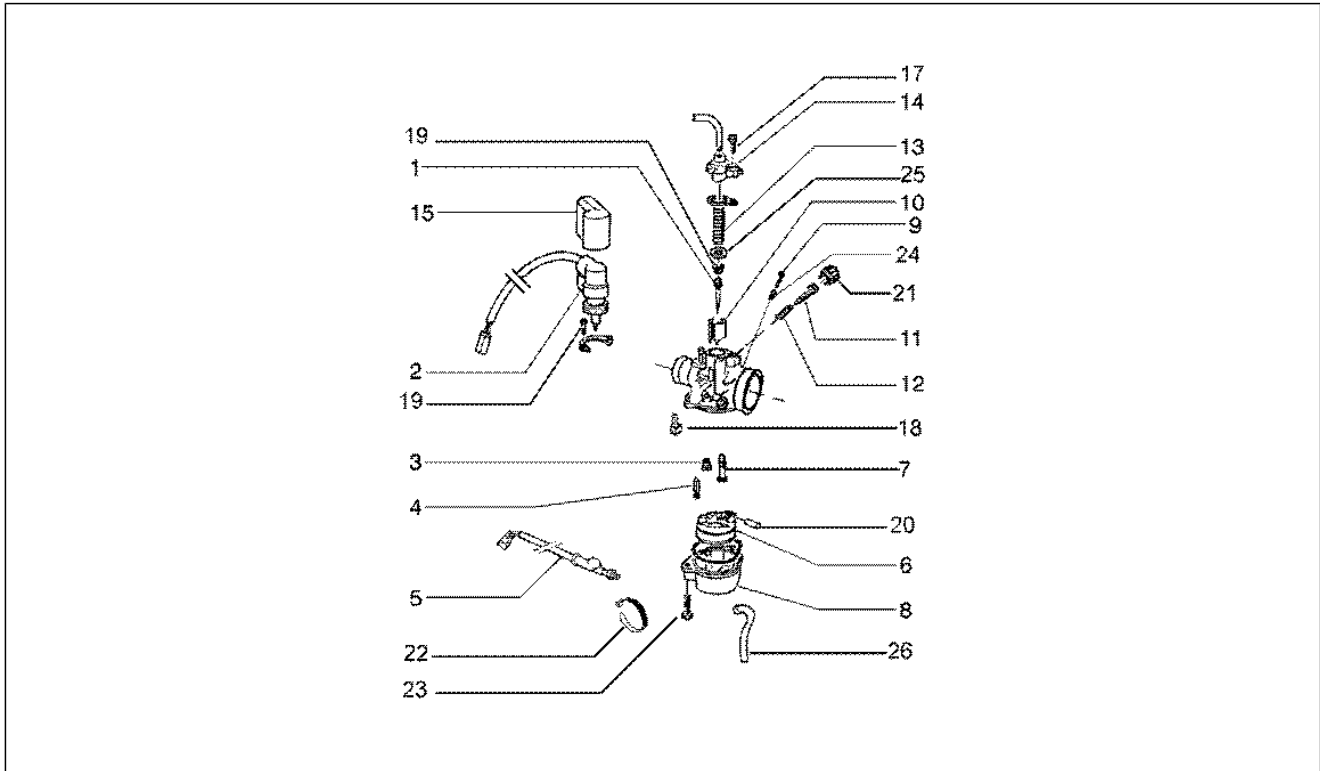
Group	Engine
Code	T17
Description	Carburettor dell'orto
Service	1



Pos.	Code	Description	Qty	Variants
1	487123	Conical pin	1	
2	82566R	Starter device	1	
2	432519	Starter device	1	
3	CM101738	Main jet	1	
4	482915	Jet Needle	1	
5	825065	Resistor Module	1	
6	482916	Float cpl.	1	
7	487479	Idle jet	1	
8	484369	Float chamber	1	
9	CM107704	Air adjuster screw	1	
10	432507	Gas valve	1	
10	825843	Gas valve	1	
11	432521	screw	1	
11	CM107705	Screw	1	
12	432515	Spring	1	
13	432419	Spring	1	
13	432511	Spring	1	
14	432412	Cover	1	
14	8253595	Crank-case	1	
15	288883	Guard	1	
16	289575	screw	2	
17	432413	screw	2	
18	436206	Complete oil valve	1	
19	432416	O-ring	1	
20	288881	Float pin	1	
21	432425	Pin	1	
22	109960	Hose clamp	1	
23	288862	Float chamber fixing screw	2	



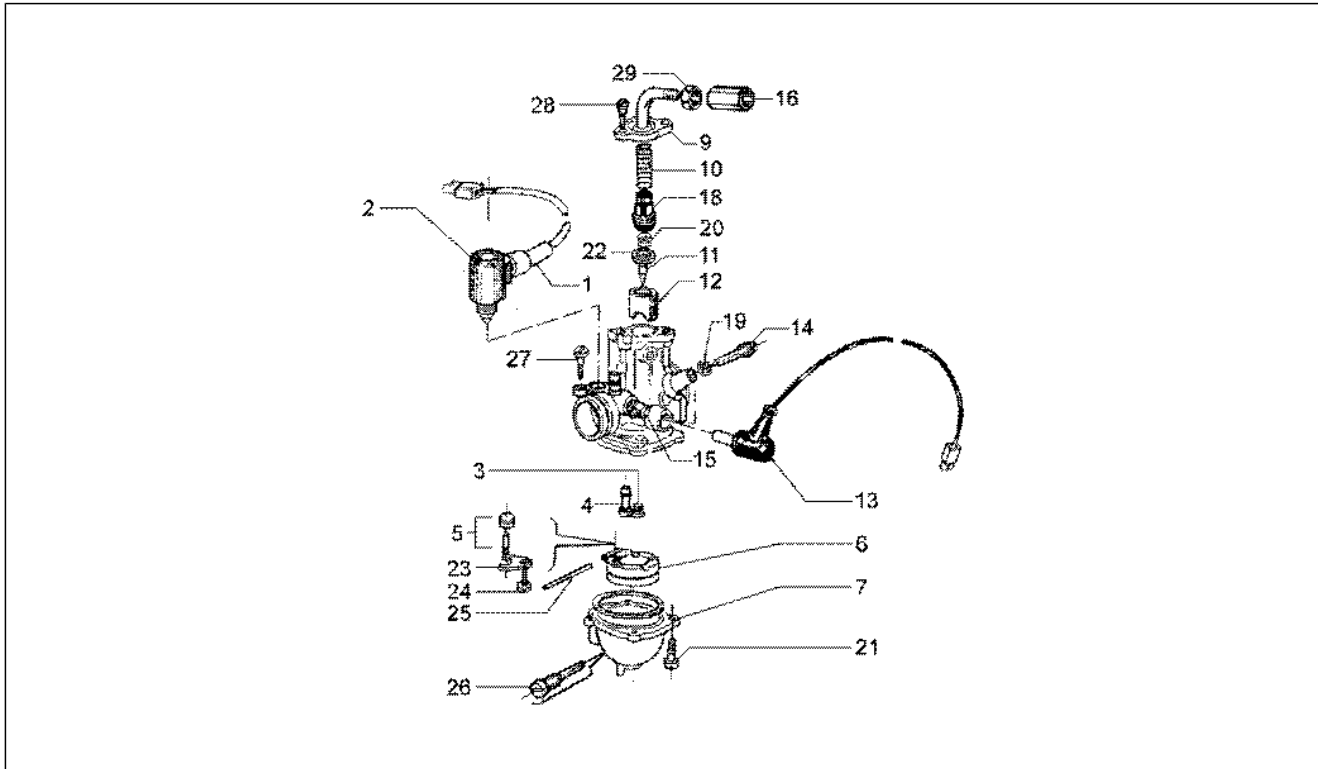
Group	Engine
Code	T17
Description	Carburettor dell'orto
Service	1



Pos.	Code	Description	Qty	Variants
24	085285	Spring	1	
25	432417	Plate	1	
26	113903	Baffle tube	1	



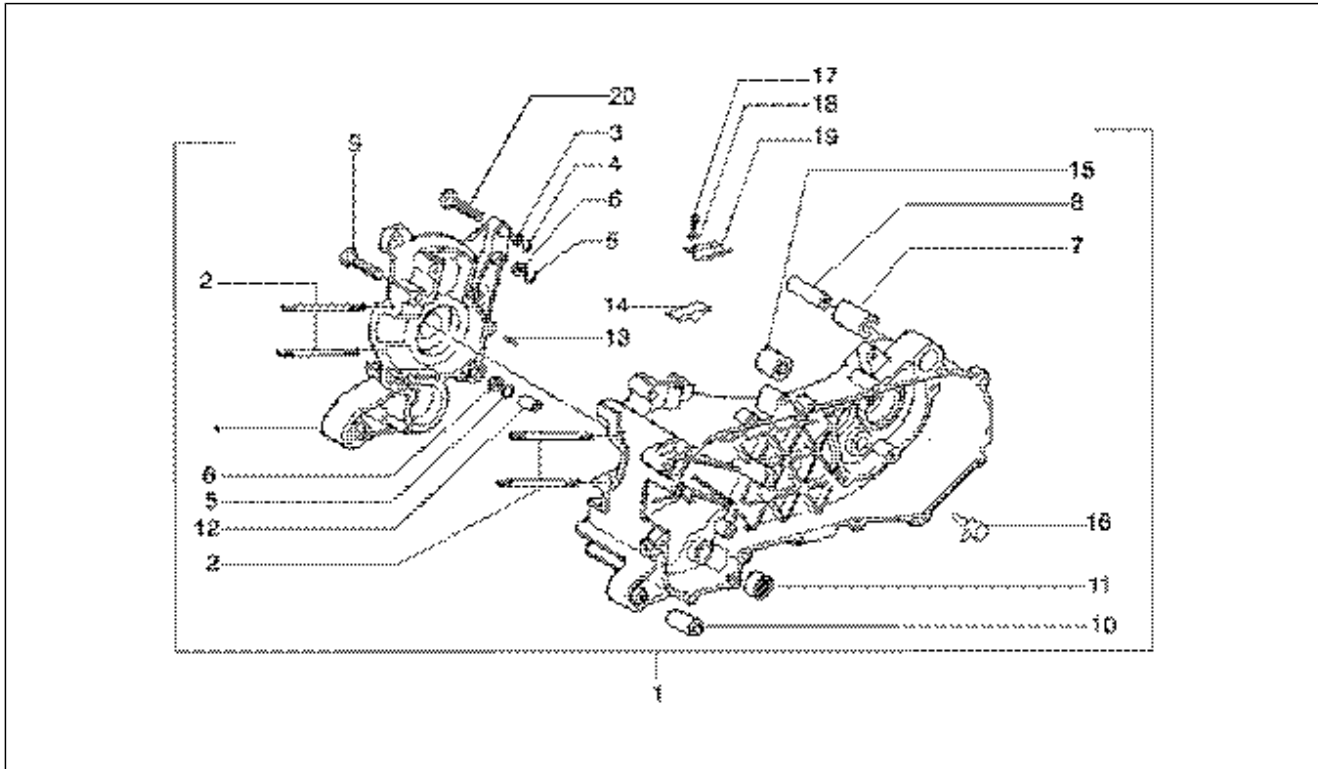
Group	Engine
Code	T17/A
Description	Carburettor mikuni
Service	1



Pos.	Code	Description	Qty	Variants
1	293409	Screened cap	1	
2	432519	Starter device	1	
3	CM101904	Main jet	1	
4	432502	Idle jet	1	
5	CM102204	Seat assy/float. pin	1	
6	432506	Float	1	
7	826185	Float chamber	1	
9	432512	Cover	1	
10	432511	Spring	1	
11	432505	Conical pin	1	
12	432507	Gas valve	1	
13	825065	Resistor Module	1	
14	432514	Screw	1	
15	479886	Valve	1	
16	271810	Register	1	
18	432508	Bracket	1	
19	432516	Washer	1	
20	432534	Spring	1	
21	432528	screw	1	
22	432533	Washer	1	
23	432526	plate	1	
24	432524	screw	1	
25	432425	Pin	1	
26	432523	screw	1	
27	432520	screw	2	
28	432518	screw	2	
29	432509	Nut	1	



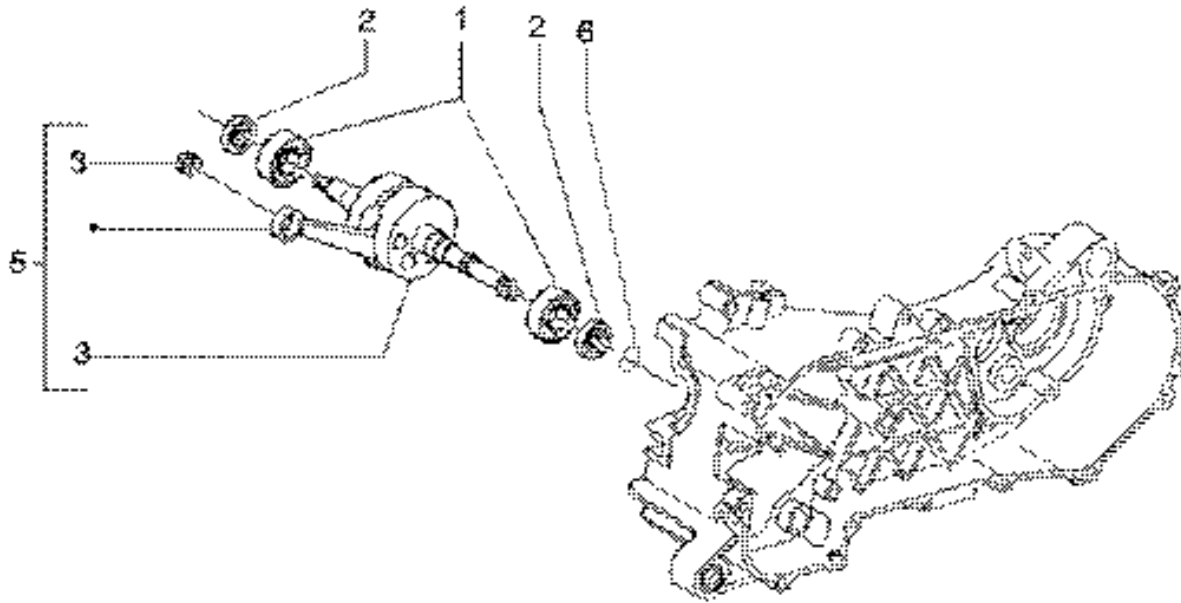
Group	Engine
Code	T2
Description	Crankcase
Service	1



Pos.	Code	Description	Qty	Variants
1	8262495	Crank-case	1	
1	8262515	Crank-case	1	
1	8283465	Crank-case	1	
2	433599	Stud bolt	4	
3	020006	Nut	1	
4	287223	Ring	1	
5	113533	Ring	2	
6	020008	Nut M8	2	
7	267823	Shock absorber connection silent block	1	
7	563567	Sil.block	1	
8	266625	Spacer	1	
9	620068	Screw	5	
10	270371	Pad	2	
11	4352035	Gasket ring	1	
12	286143	Bush	1	
13	239388	Pin 6,5x9,5x15	2	
14	273884	Pad	1	
15	430228	Roller cage	1	
16	482906	Breather	1	
17	015585	Self-tapping screw M5x12	2	
18	006975	Washer $\varnothing 5,3 \times \varnothing 10 \times 0,5$	2	
19	431952	Square	1	
20	488063	screw	2	



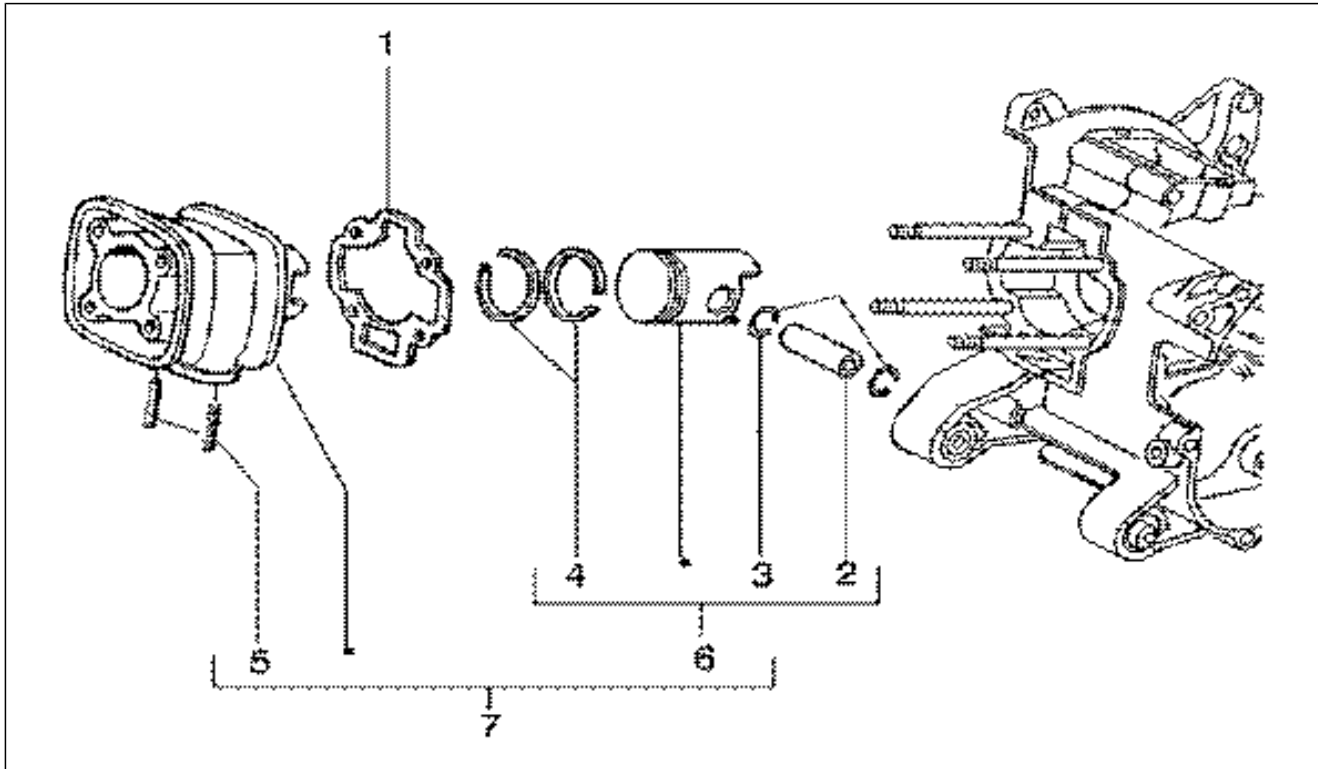
Group	Engine
Code	T3
Description	Crankshaft
Service	1



Pos.	Code	Description	Qty	Variants
1	483970	Bearing	2	
2	4345825	Ring	2	
3	500512	Roller cage	1	
3	500513	Roller cage	1	
3	500514	Roller cage	1	
3	500511	Roller cage	1	
5	8291295		1	
6	434581	Ring	1	



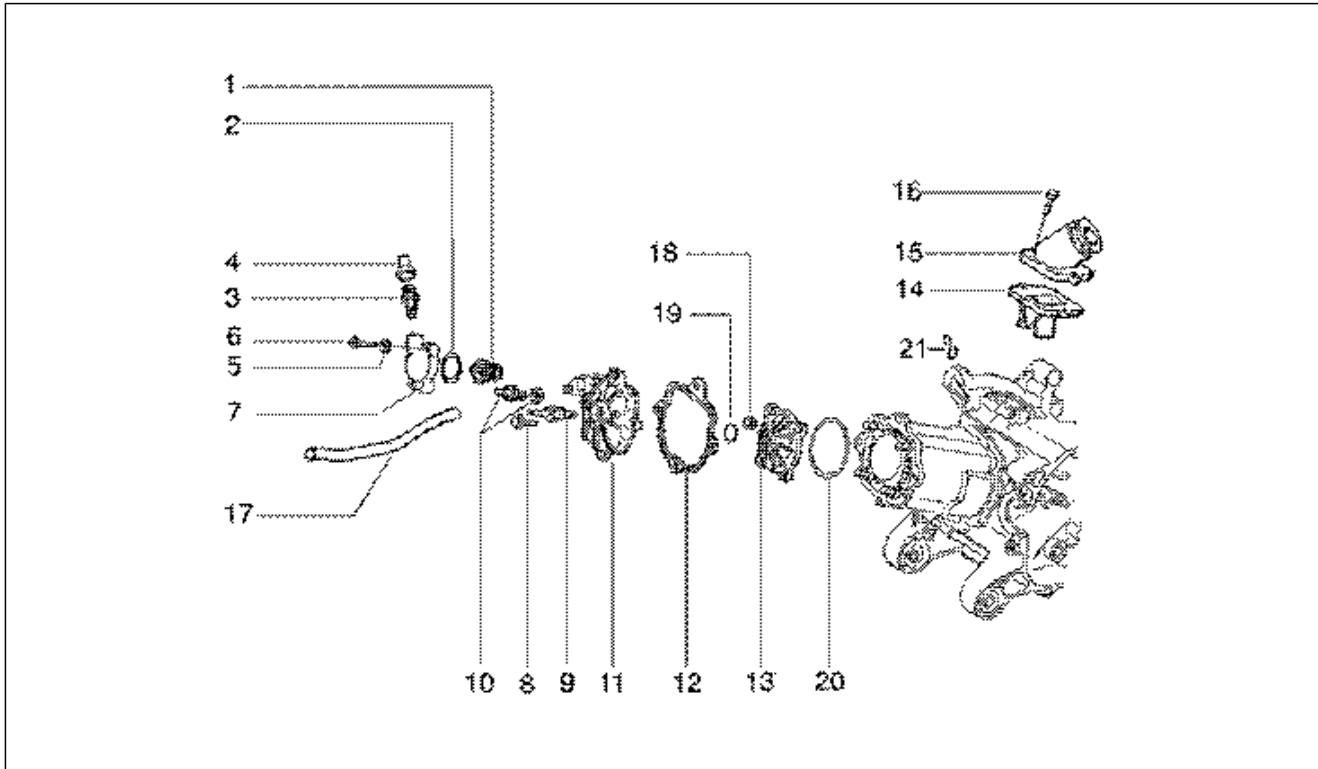
Group	Engine
Code	T4
Description	Cylinder-piston-wrist pin, assy
Service	1



Pos.	Code	Description	Qty	Variants
1	434795	Gasket	1	
1	487775	Gasket	1	
1	485619	Compression ring d.57x1	1	
1	487777	Gasket	1	
1	487776	Gasket	1	
1	487778	Gasket	1	
2	2239414	Piston pin	1	
3	430393	Ring	2	
4	484530	Oil seal	2	
4	484532	Oil seal	2	
4	484531	Oil seal	2	
4	483878	Oil seal	2	
5	484706	Stud bolt	2	
6	487556	Pist.-wrist pin assy.	1	
6	487555	Pist.-wrist pin assy.	1	
6	487554	Pist.-wrist pin assy.	1	
6	4875390003	Pist.-wrist pin assy.	1	
6	4875390002	Pist.-wrist pin assy.	1	
6	4875390004	Pist.-wrist pin assy.	1	
6	4875390001	Pist.-wrist pin assy.	1	
7	487549	Cylinder assy	1	



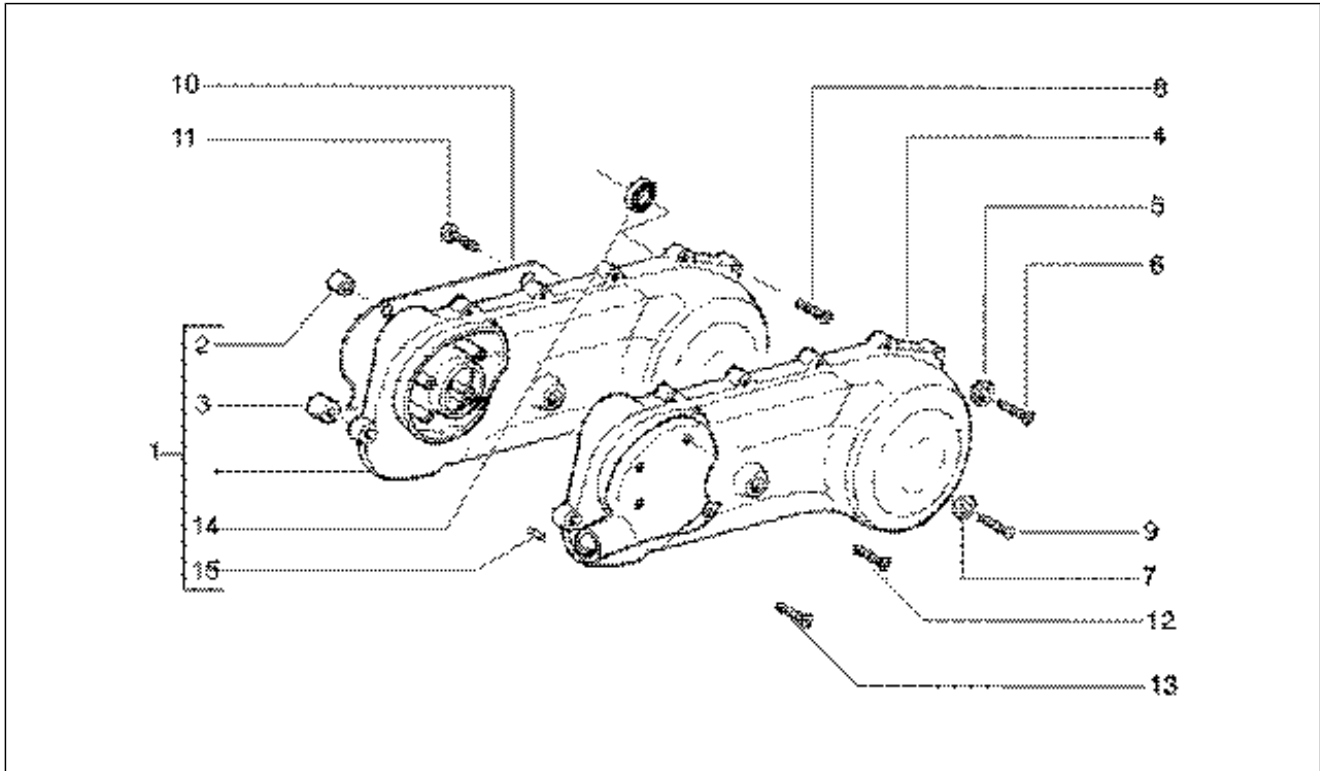
Group	Engine
Code	T5
Description	Cylinder head and induction pipe
Service	1



Pos.	Code	Description	Qty	Variants
1	483395	Thermostat	1	
2	289514	O-ring	1	
3	430045	Bleed screw	1	
4	063435	Bleed valve cap	1	
5	006975	Washer $\varnothing 5,3 \times \varnothing 10 \times 0,5$	2	
6	008374	screw	2	
7	479987	Joint	1	
7	485551	Joint	1	
8	434359	screw	4	
9	438034	Spark plug	1	
10	82571R	Device	1	
10	82622R	Thermistor	1	
11	4844275	Cover	1	
11	826009	Cylinder head cover	1	
11	8275615	Cover	1	
12	432975	Gasket	1	
13	826189	Cylinder head	1	
14	435866	Reeds bracket	1	
15	430206	Joint	1	
16	414837	Screw w/ flange M6x25	2	
17	4353355	pipe	1	
18	434078	Nut	4	
19	435236	Gasket ring	1	
20	432972	Gasket	1	



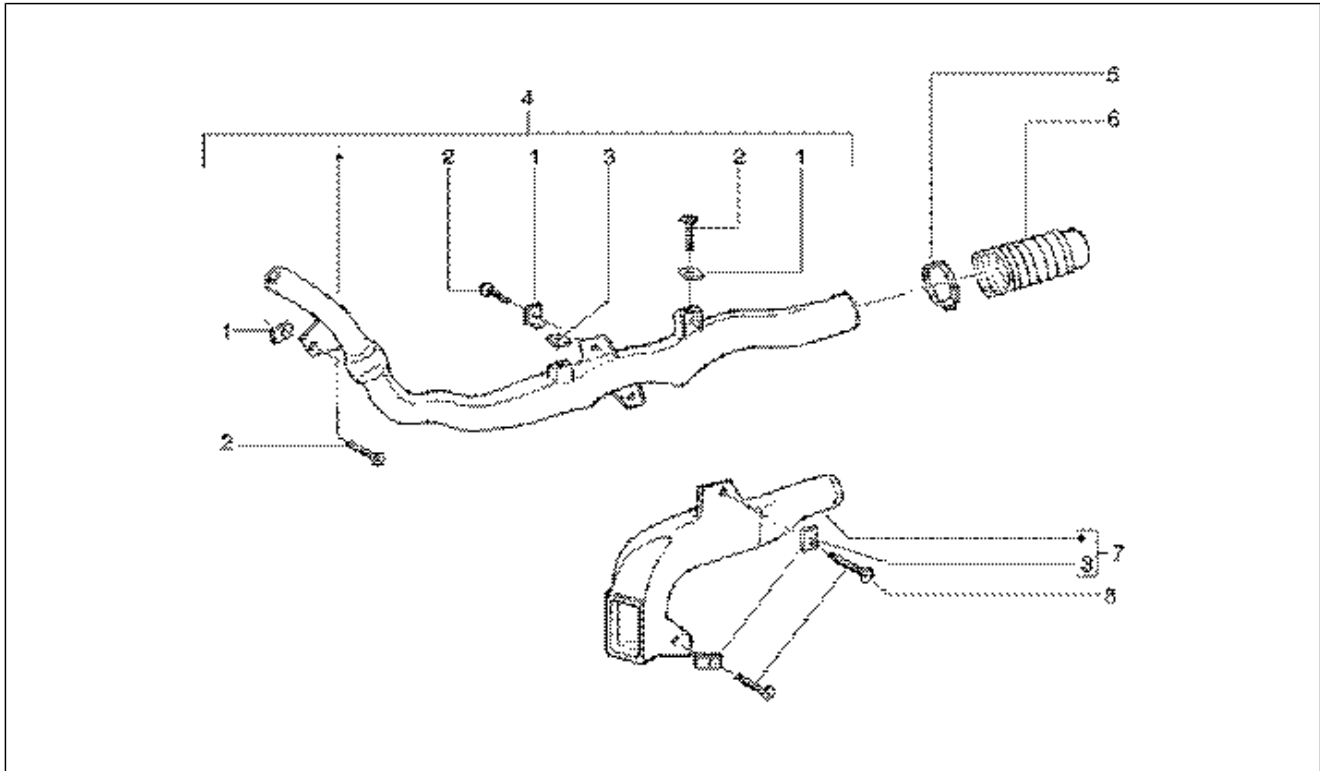
Group	Engine
Code	T6
Description	Transmission cover
Service	1



Pos.	Code	Description	Qty	Variants
1	8283445	Transmission cover	1	
1	4881025	Transmission cover	1	
2	431205	Bush	1	
3	286143	Bush	1	
4	825376	Cover	1	
5	017492	Washer	5	
6	414837	Screw w/ flange M6x25	1	
7	480086	Washer	1	
8	414838	screw M6x35	11	
9	414835	screw	2	
10	828373	Switch	1	
11	430264	Self-tapping screw	6	
12	432142	screw M6x60	2	
13	484416	screw	3	
14	478985	Bearing	1	
15	239388	Pin 6,5x9,5x15	2	



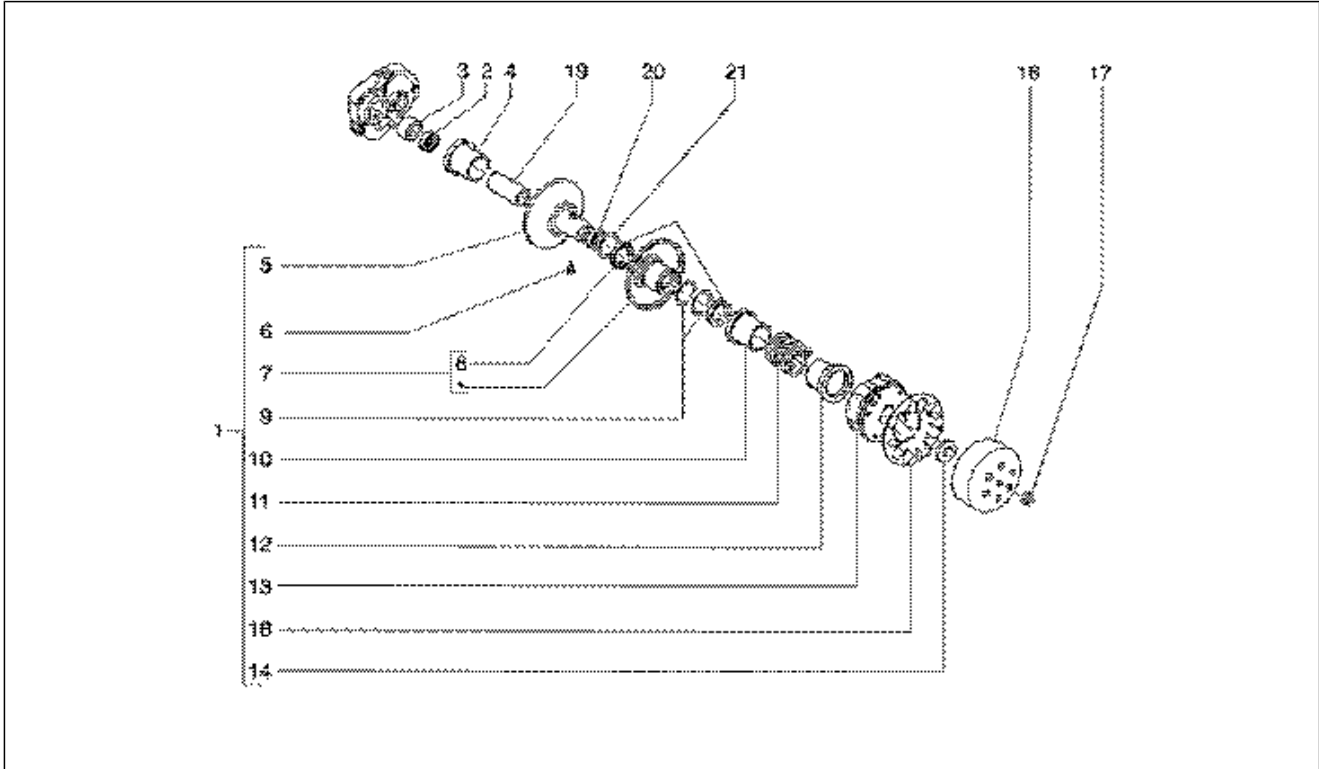
Group	Engine
Code	T7
Description	Belt cooling tube-iintake tube
Service	1



Pos.	Code	Description	Qty	Variants
1	184142	Spring plate	2	
2	258249	screw 4,2x19	3	
2	015911	Self tapping screw 4,2x16	3	
3	254485	Spring plate M6	4	
4	299969	Cooling tube	1	
5	109960	Hose clamp	2	
6	479707	Air intake bellows	1	
7	574365	Intake pipe	1	
8	259830	Metric screw M6x20	2	



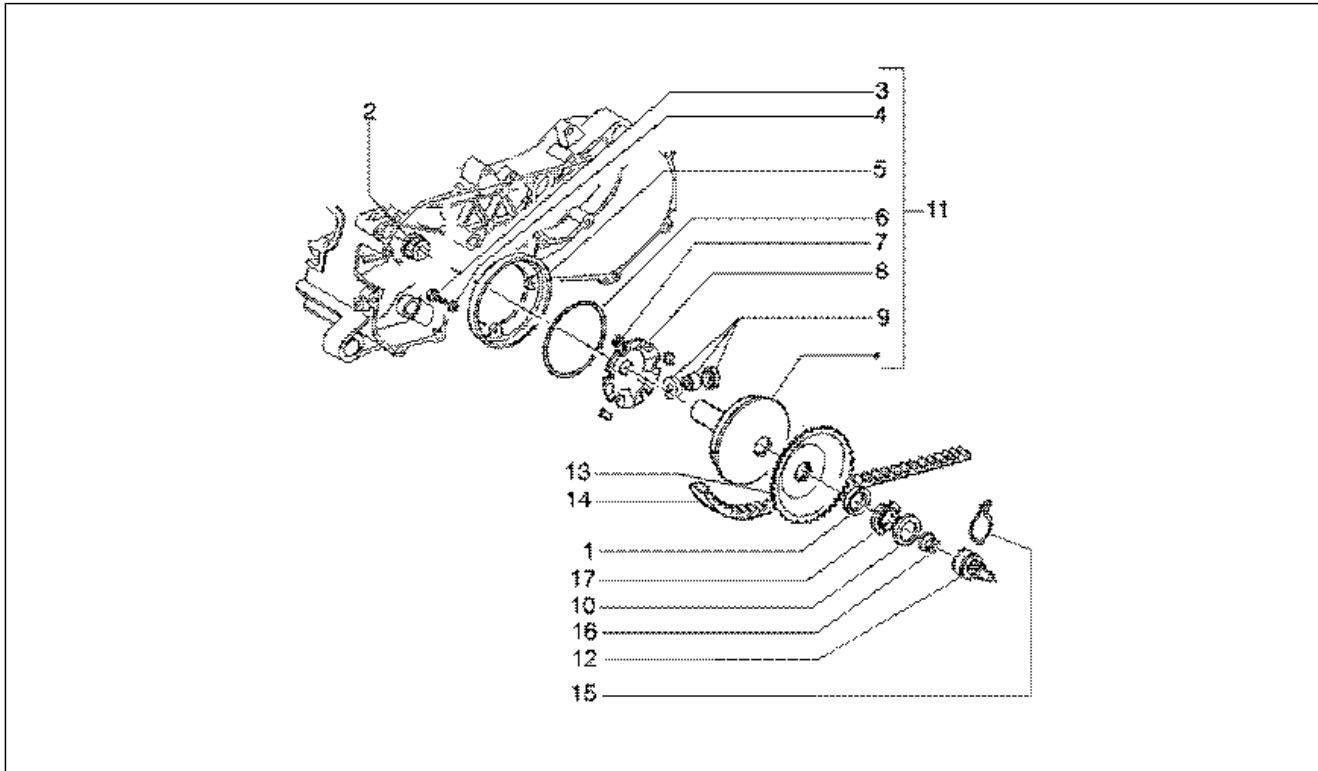
Group	Engine
Code	T8
Description	Driven pulley
Service	1



Pos.	Code	Description	Qty	Variants
1	478751	Clutch driven pulley assy.	1	
1	4854415	Clutch driven pulley assy.	1	
2	431068	Bearing	1	
3	432307	Spacer	1	
4	431067	Cup	1	
5	826800	Pulley, half	1	
6	479415	Pin	3	
7	4312855	Pulley, half	1	
8	431089	Gasket ring	2	
9	430585	Gasket	2	
10	4310935	Pulley side cap	1	
11	478752	Spring	1	
12	487936	Clutch side cap	1	
13	485442	Clutch assy	1	
14	433232	Ring nut	1	
16	82502R	Clutch drum	1	
17	436783	Flanged nut M12	1	
19	431070	Spacer	1	
20	483261	Radial bearing 17x30	1	
20	431069	Bearing	1	
20	82753R	Bearing 17x30x7	1	
21	431065	Gasket	1	



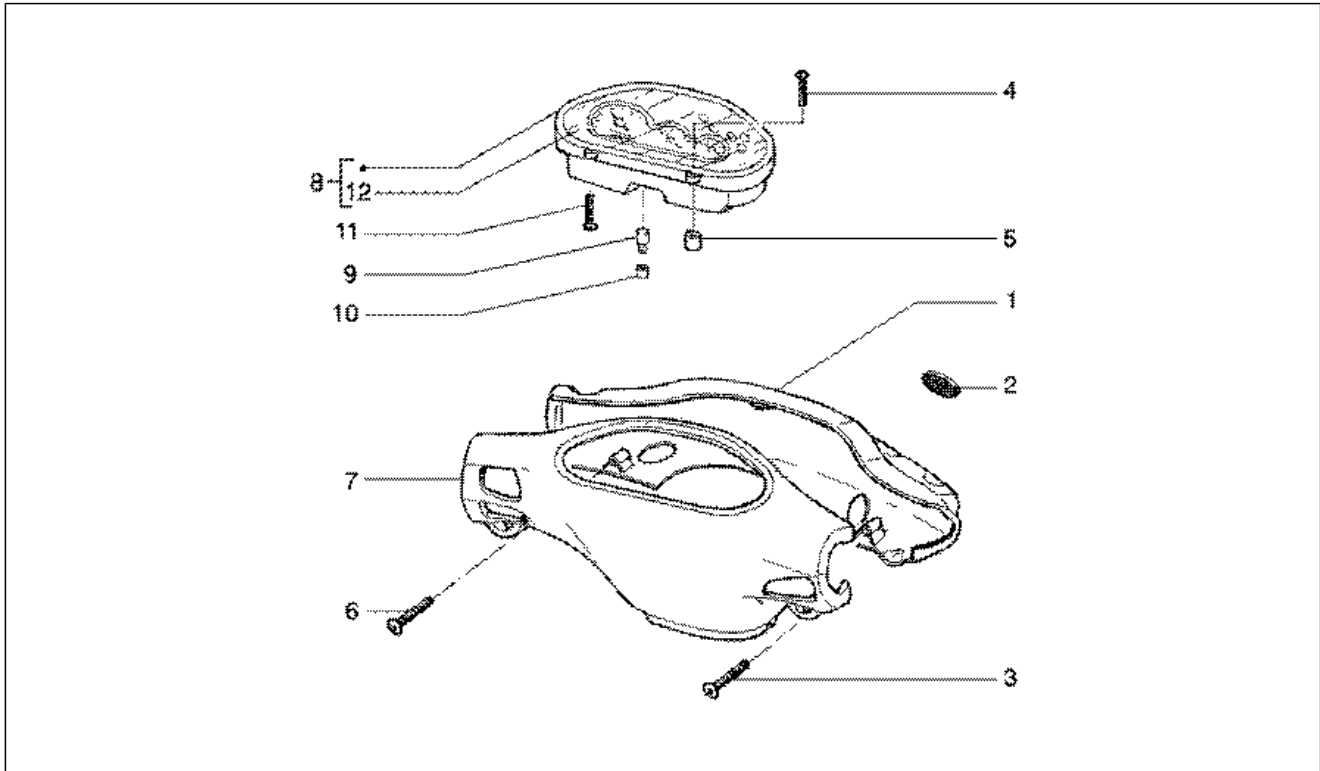
Group	Engine
Code	T9
Description	Driving pulley
Service	1



Pos.	Code	Description	Qty	Variants
1	433391	Plain washer	1	
2	829180	Toothed pulley	1	
3	015947	screw	3	
4	006964	Spring washer	3	
5	431281	Cover	1	
6	431275	Gasket	1	
7	431280	Sliding block	3	
8	435893	Housing	1	
9	CM1024015	Rollers kit	1	
10	480692	Washer	1	
11	CM102901	Pulley, half	1	
12	432491	Pinion	1	
12	483538	Pinion	1	
13	487957	Fixed driving half pulley	1	
14	434812	Belt	1	
15	830212	Elastic spring	1	
16	436783	Flanged nut M12	1	
17	486324	Nut M12x1.25	1	



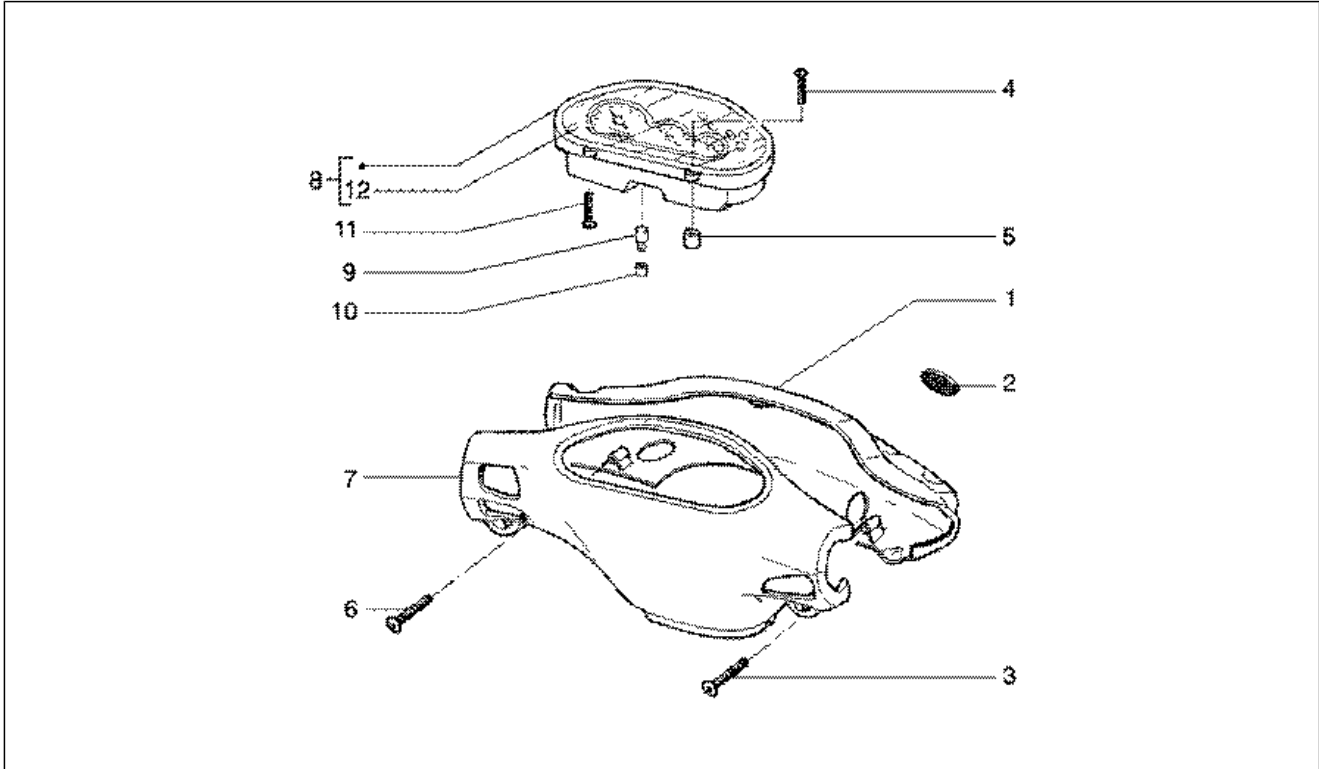
Group	Handlebars
Code	T37
Description	Speedometers kms.-handlebar covers
Service	1



Pos.	Code	Description	Qty	Variants
1	56365750R7	Handlebar cover	1	
1	5636575042	Handlebar cover	1	
1	5636575	Handlebar cover	1	
1	5636575090	Handlebar cover	1	
1	56365750R6	Handlebar cover	1	
1	5636575003	Handlebar cover	1	
1	5636575040	Handlebar cover	1	
1	56365750E1	Handlebar cover	1	
1	5636575095	Handlebar cover	1	
1	56365700G9	Handlebar cover	1	
1	5636575028	Handlebar cover	1	
2	574503	Plug	1	
2	574502	Plug	1	
2	573781	Reflector	1	
2	573782	Reflector	1	
3	267958	Self tapping screw L=20 mm	2	
4	270793	TBCIC Screw	2	
5	297707	Bushing	2	
6	267958	Self tapping screw L=20 mm	3	
7	298148000P	Handlebar cover	1	
7	298148000D	Handlebar cover	1	
8	581069	Meter combination	1	
8	584026	Meter combination	1	
9	164634	12v-1.2w bulb	10	
10	253366	Lampholder, complete 12V-1,2W	10	
11	018544	screw	2	
12	494806	Speedometer cover	1	
12	498453	Speed. kms. cover	1	



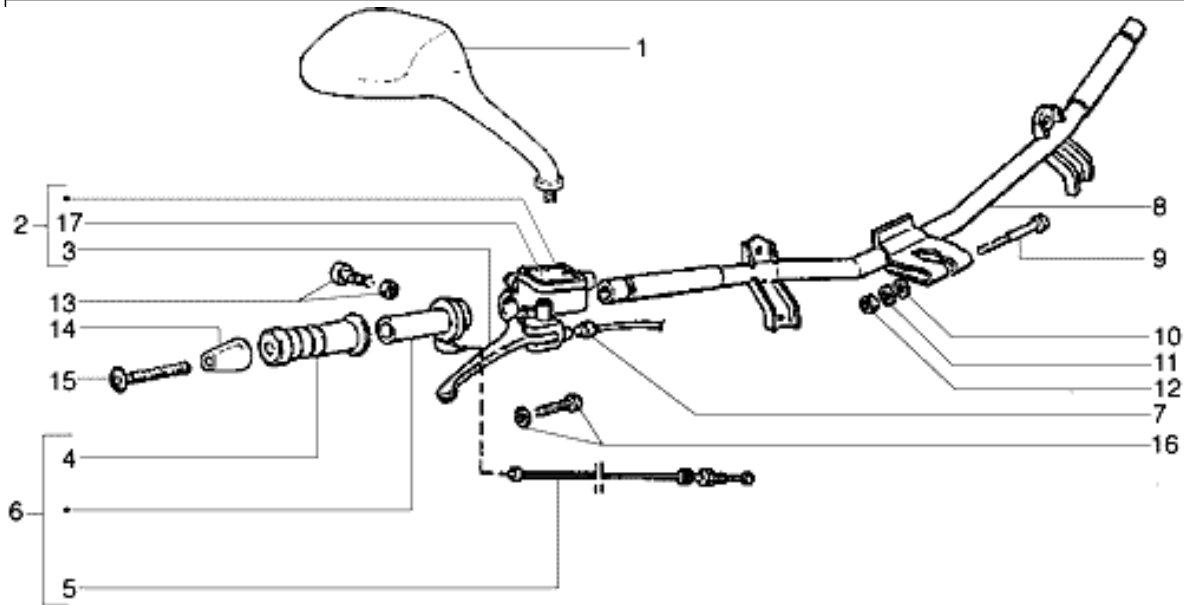
Group	Handlebars
Code	T37
Description	Speedometers kms.-handlebar covers
Service	1



Pos.	Code	Description	Qty	Variants
12	494843	Tyre	1	



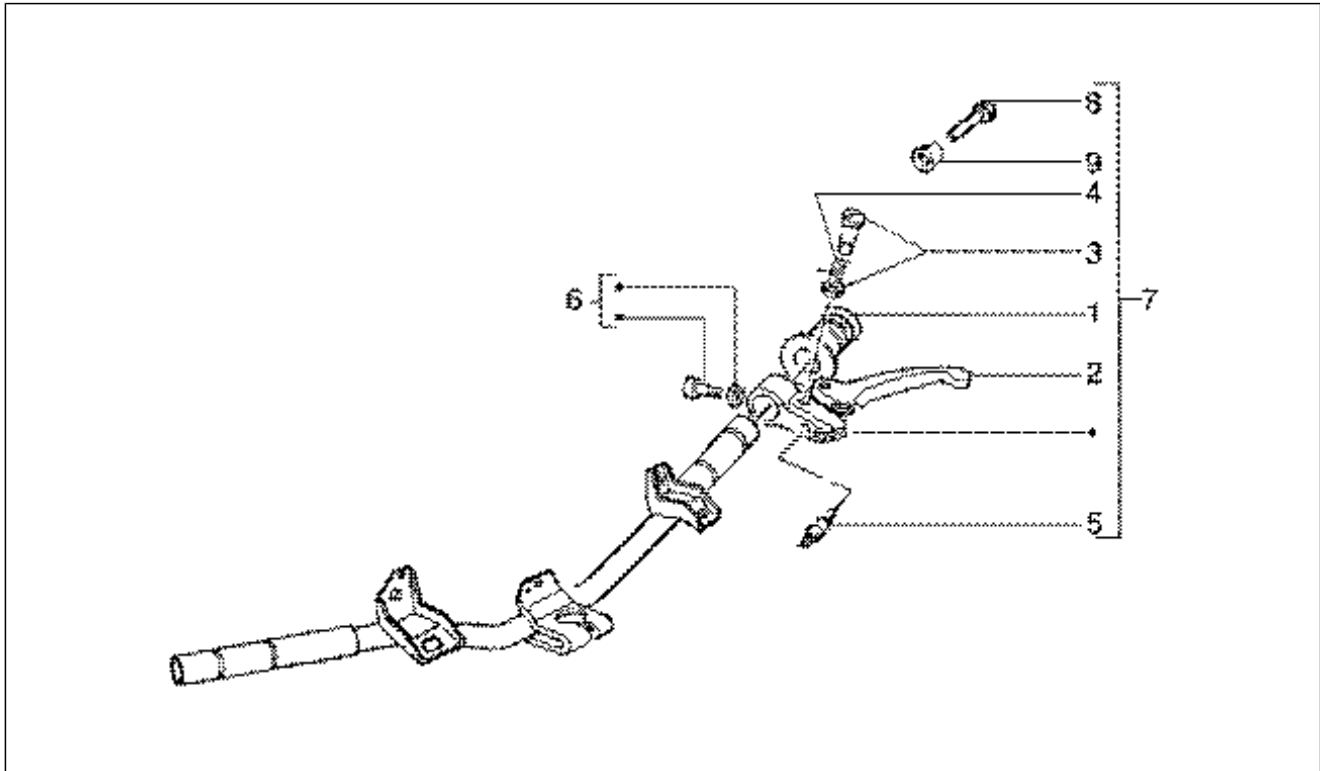
Group	Handlebars
Code	T38
Description	Handlebars component parts
Service	1



Pos.	Code	Description	Qty	Variants
1	CM062302	Driving mirror	1	
1	CM068002	Driving mirror	1	
1	CM068001	Driving mirror	1	
2	CM074901	Front brakes pump assembly (Heng Tong)	1	
2	CM063701	Master cil. (black lever)	1	
2	CM064301	Master cil. (alluminium lever)	1	
2	CM063601	Front brake lever hydraulic pump GRIMECA	1	
3	497042	Brake lever	1	
3	564678	Brake lever (blakc)	1	
3	494952	Brake lever	1	
4	271453	Grip, r.h.	1	
5	563878	Throttle transmiss.	1	
5	562583	Throttle transmiss.	1	
6	563883	Throttle sleeve	1	
7	580953	stop Button	1	
8	582116	Handlebar with U.P.	1	
8	5821164	Handlebar	1	
9	274939	Bolt	1	
9	223605	screw	1	
10	178790	Flat washer	1	
11	012543	Flat elastic washer with internal tothing 17x10,3x2	1	
12	015330	Nut M10	1	
13	123394	Screw with bushing	1	
14	583697	Terminal	2	
14	271433	End terminal	1	
15	271434	screw M6x55	1	
16	269145	Adjuster screw	1	
17	498373	Cover	1	



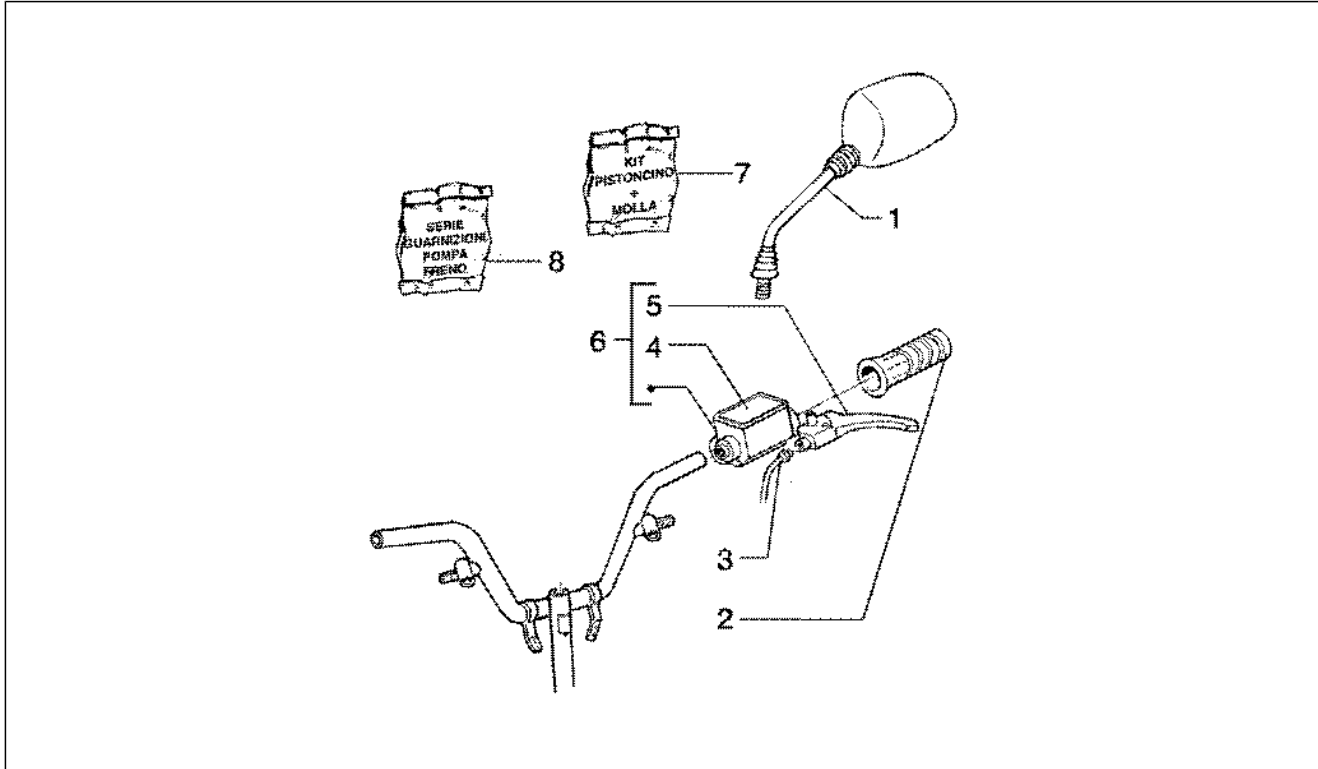
Group	Handlebars
Code	T39
Description	Handlebars component parts
Service	1



Pos.	Code	Description	Qty	Variants
1	271452	Grip, l.h.	1	
2	564683	Rear brake control lever	1	
3	265249	Screw with nut	1	
4	267948	Spring	1	
5	580953	stop Button	1	
6	123394	Screw with bushing	1	
7	CM063804	Left hand grip with rear brake lever	1	
8	271434	screw M6x55	1	
9	271433	End terminal	1	
9	583697	Terminal	2	



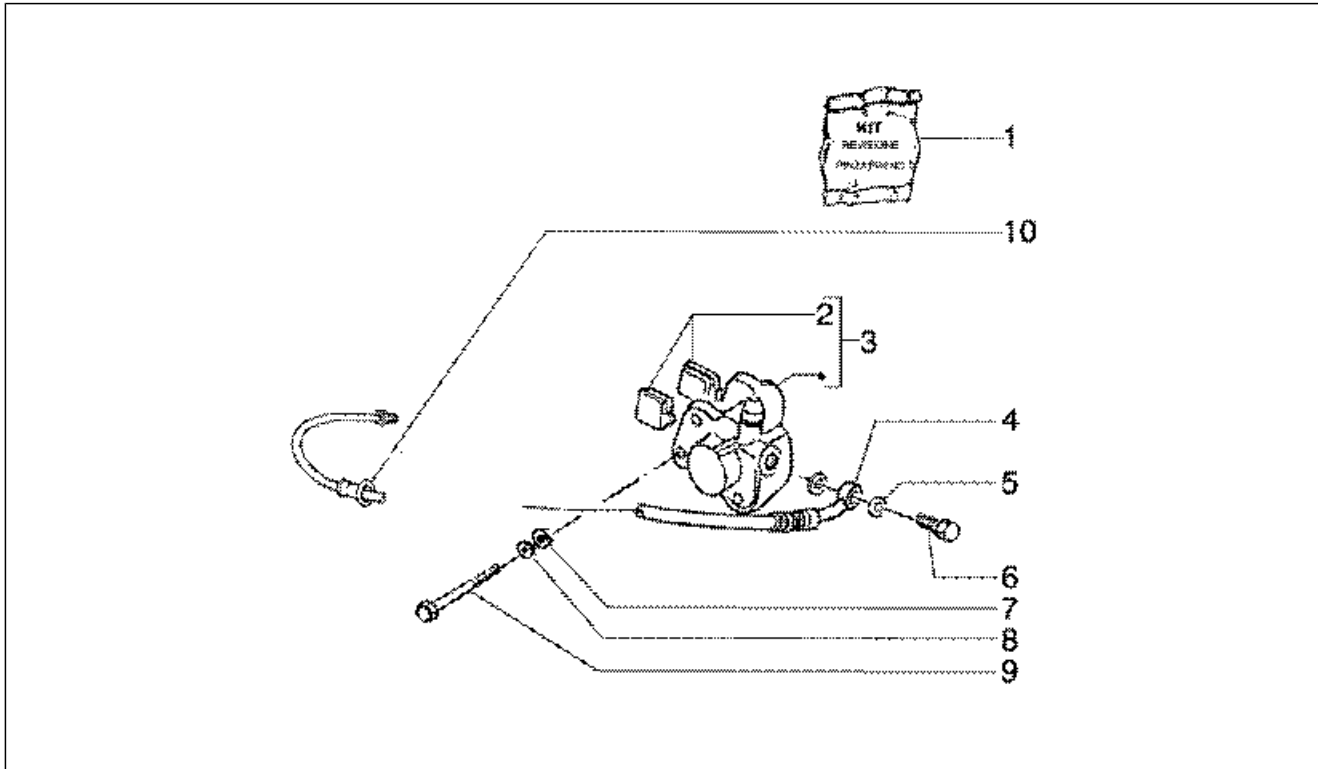
Group	Handlebars
Code	T39/A
Description	Handlebars component parts (vehicle with rear hub brake)
Service	1



Pos.	Code	Description	Qty	Variants
1	CM068002	Driving mirror	1	
1	CM068001	Driving mirror	1	
1	CM062301	Driving mirror	1	
2	271452	Grip, l.h.	1	
3	580953	stop Button	1	
4	498373	Cover	1	
5	564678	Brake lever (blac)	1	
5	497042	Brake lever	1	
6	CM064401	Master cil. (alluminium lever)	1	
6	CM063701	Master cil. (black lever)	1	
7	498372	Master cyl. overh. kit	1	
8	494748	Master cyl. packings kit	1	



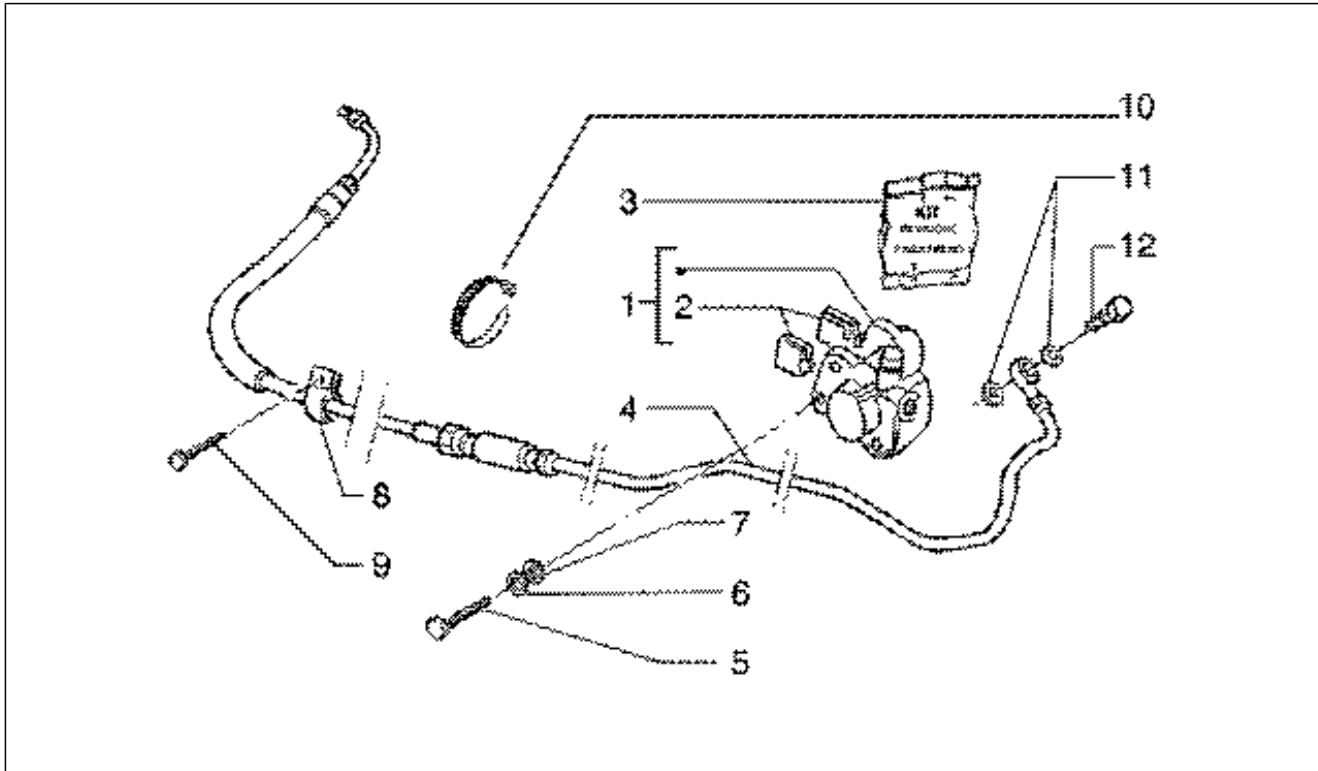
Group	Transmissions
Code	T44
Description	Front brake caliper
Service	1



Pos.	Code	Description	Qty	Variants
1	494685	Kit caliper overh.	1	
2	494628	Brake pads kit	1	
2	497116	Brake pads kit	1	
3	56058R	Brake caliper	1	
3	562414	Brake caliper	1	
4	274924	Front brake hose	1	
5	127927	Gasket	2	
6	265451	Oil pipe screw M10x18	1	
7	016408	Spring washer 13,75x8,15x4,5	2	
8	003058	Flat washer 15x8,4x1,5	2	
9	015792	screw M8x30	2	
10	274350	Fairlead	1	



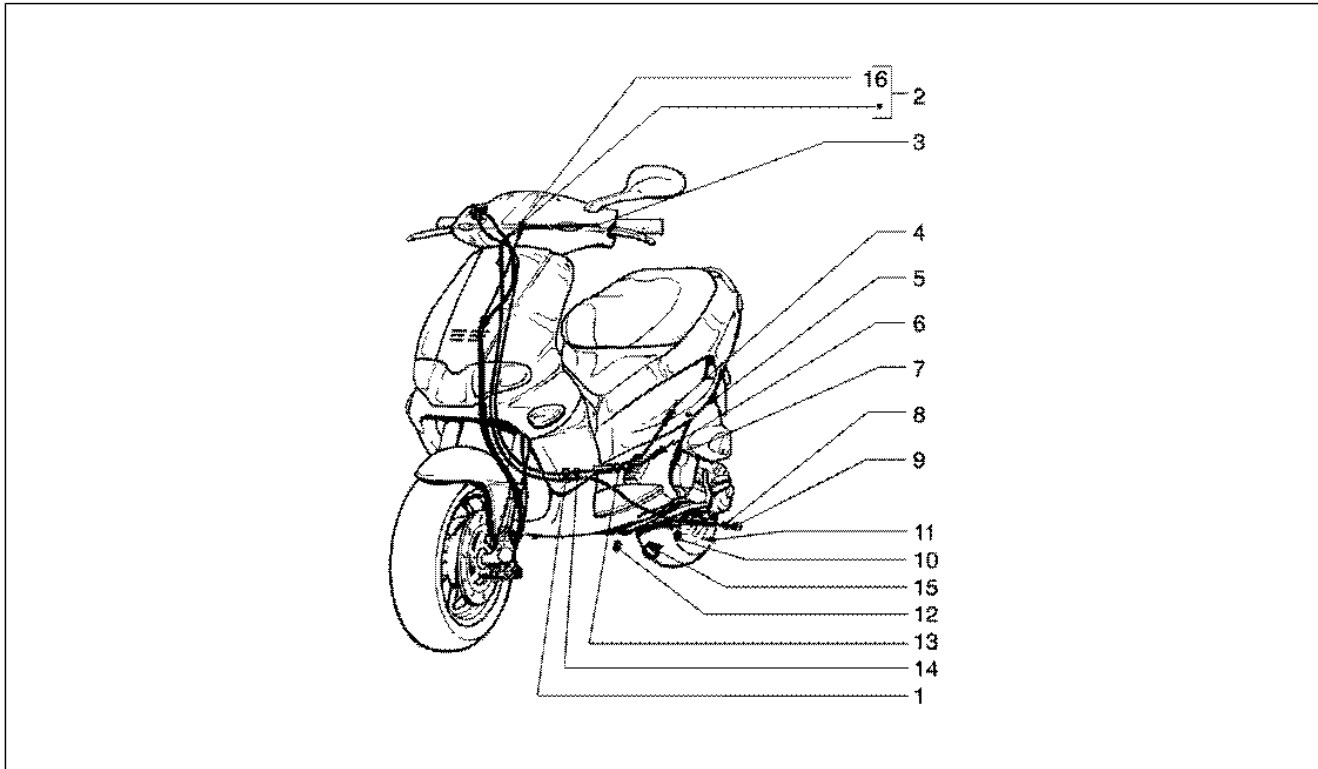
Group	Transmissions
Code	T44/A
Description	Caliper(vehicle wth rear hub brake)
Service	1



Pos.	Code	Description	Qty	Variants
1	564346	Brake caliper	1	
1	56087R	Brake caliper	1	
2	494097	Brake pads kit	1	
3	498442	Brake caliper rev. kit	1	
4	564869	Rear brake tube	1	
4	597752	Rear brake tube	1	
5	015792	screw M8x30	2	
6	016408	Spring washer 13,75x8,15x4,5	2	
7	003058	Flat washer 15x8,4x1,5	2	
8	563729	Plate	1	
9	414838	screw M6x35	1	
10	563983	Hose clamp	1	
11	127927	Gasket	2	
12	265451	Oil pipe screw M10x18	1	



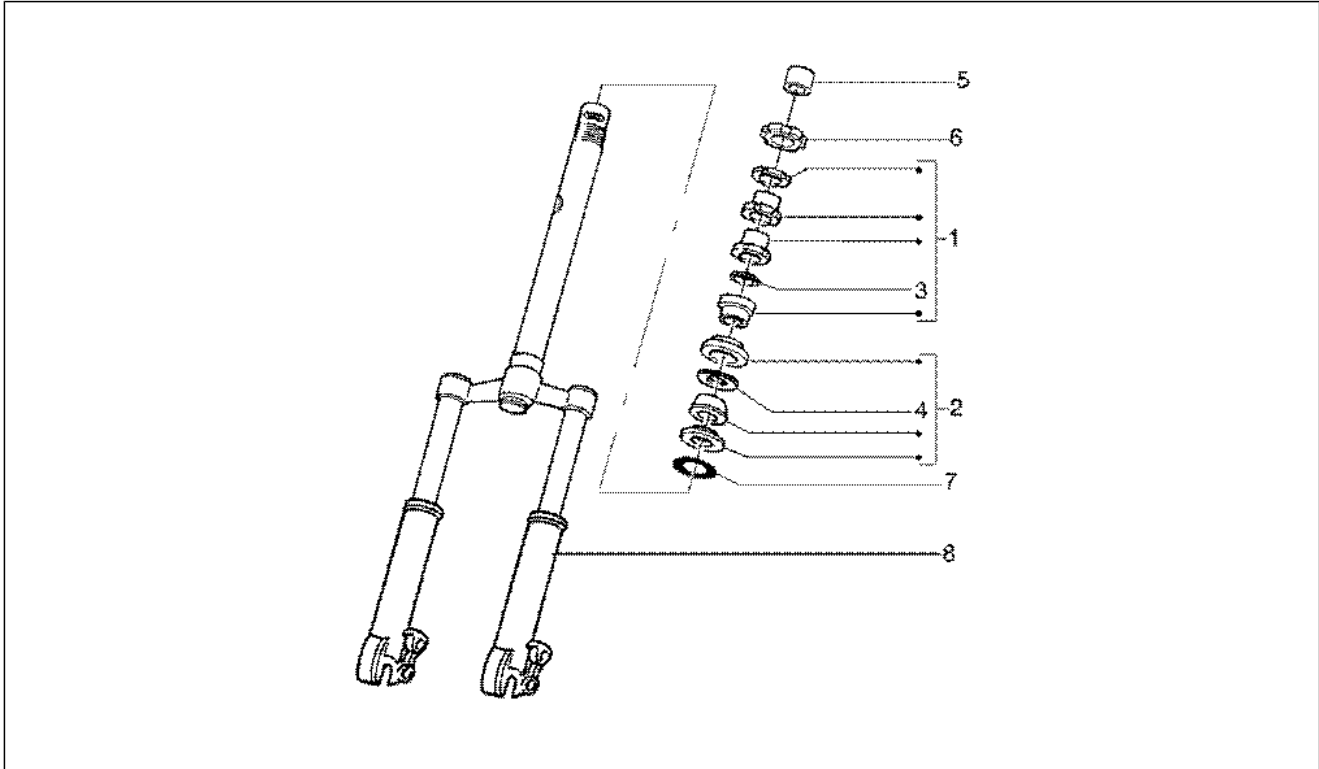
Group	Transmissions
Code	T45
Description	Transmissions
Service	1



Pos.	Code	Description	Qty	Variants
1	271977	Splitter upper protection	1	
2	563412	Speedom. transmiss.	1	
2	582413	Speedometer transmission	1	
3	563753	Brake transmiss.	1	
4	563213	Doub. carb. trans.	1	
5	288868	screw	1	
5	498338	Register	1	
6	582449	Doub. mixer trans.	1	
7	498339	Screw-nut kit	1	
8	179640	Adjuster pin	1	
9	270310	Registro freno posteriore	1	
10	564497	Plate	1	
11	414837	Screw w/ flange M6x25	1	
12	562603	Bracket	1	
13	271976	Splitter lower protection	1	
14	269571	Splitter	1	
15	564497	Plate	1	
16	582521	Wire	1	



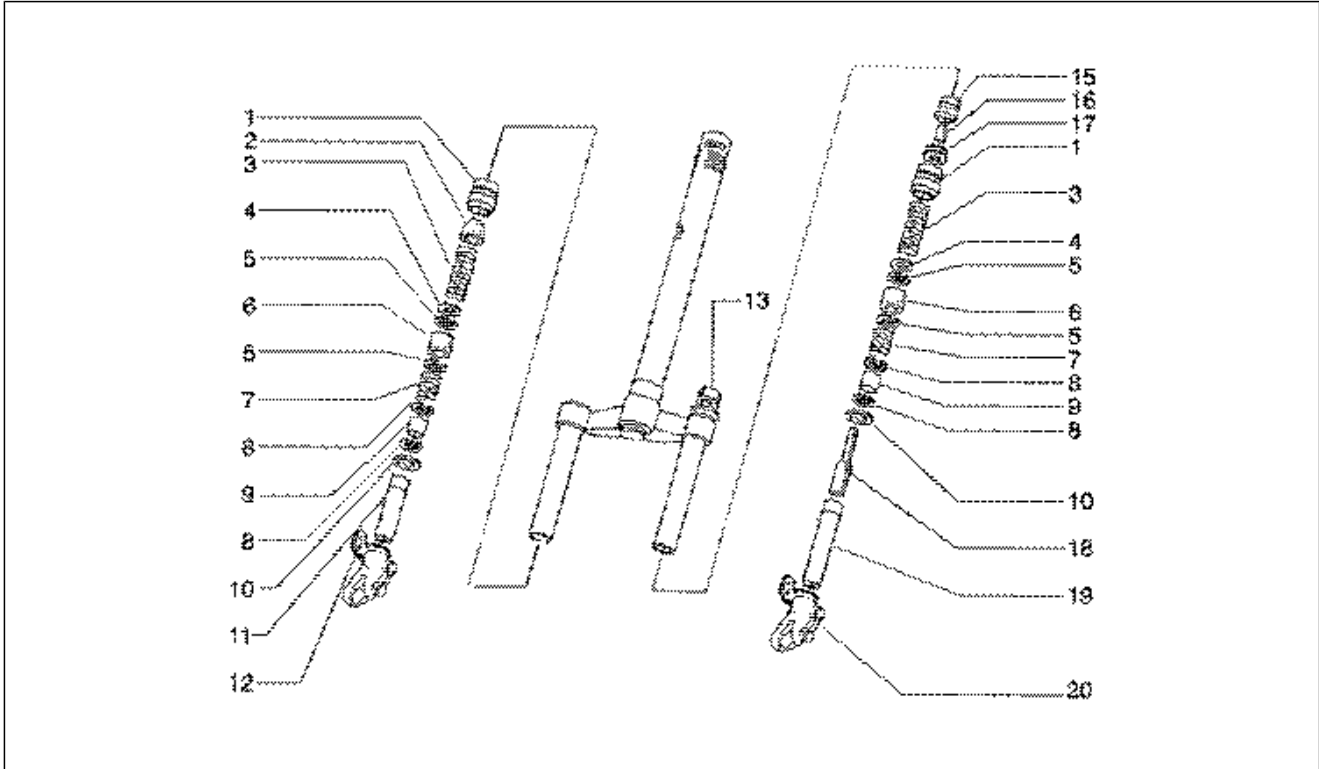
Group	Suspensions-Wheels
Code	T40
Description	Steering bearing ball tracks-front fork
Service	1



Pos.	Code	Description	Qty	Variants
1	56002R	Steering bearing assy.	1	
2	56003R	Steering bearing assy.	1	
3	077024	Ball cage	1	
4	077023	Ball cage	1	
5	563258	Collar	1	
6	055986	Ring nut	1	
7	561919	Ring	1	
8	598242	Front fork	1	



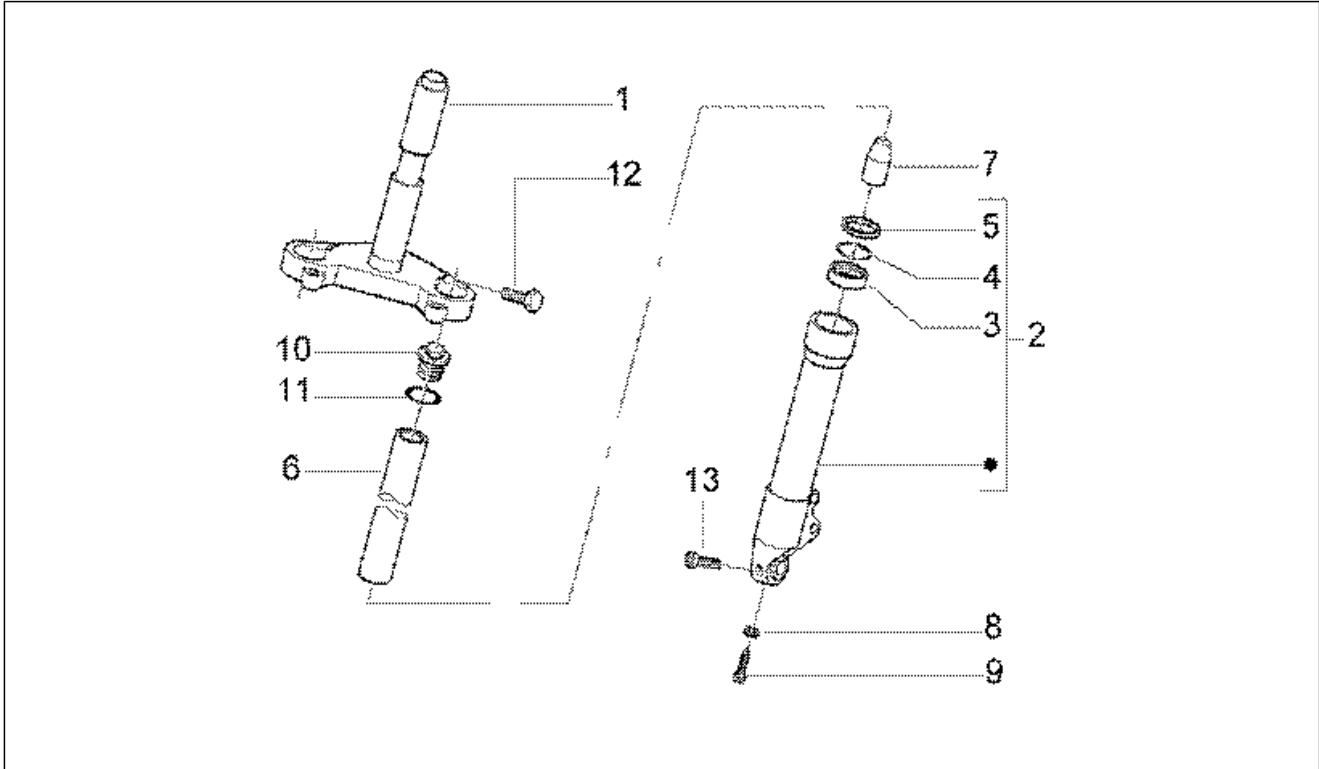
Group	Suspensions-Wheels
Code	T41
Description	Front fork component parts (model 97-98-99)
Service	1



Pos.	Code	Description	Qty	Variants
1	494886	Sleeve	2	
2	563710	Pad	1	
3	561925	Spring	4	
4	561924	Sleeve plug	2	
5	561922	Circlip	2	
6	494887	Bushing	2	
7	562789	Spring	2	
8	561919	Ring	4	
9	274468	Spacer	2	
10	564236	Gasket ring	2	
11	494690	Sleeve	1	
12	494224	Damper shoe	1	
12	494692	Damper shoe	1	
13	494694	Nut	1	
15	561929	Mounting drift	1	
16	561921	Spacer	1	
17	494695	Nut	1	
18	562958	Damper cartridge	1	
19	494691	Sleeve	1	
20	494692	Damper shoe	1	
20	494693	Fork foot lh	1	



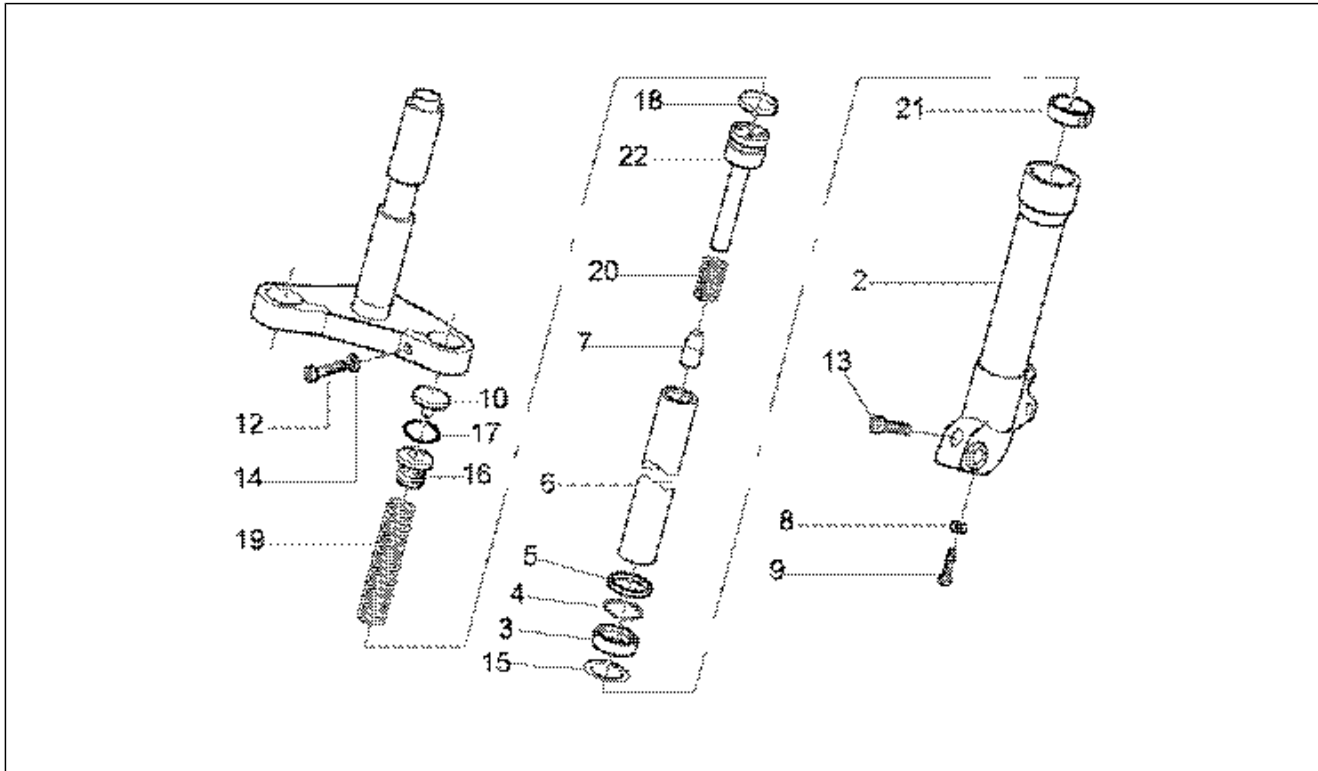
Group	Suspensions-Wheels
Code	T41/A
Description	Mvp front fork component parts
Service	1



Pos.	Code	Description	Qty	Variants
1	598183	Stems bracket	1	
2	598188	Sleeve	1	
2	598187	Sleeve	1	
3	598190	Ring	2	
4	598192	Oil seal	2	
5	598191	Dust cover ring	2	
6	598199	Sleeve	2	
7	598193	Pad	2	
8	598181	Washer	2	
9	598180	screw	2	
10	598198	Cover	2	
11	598194	O-ring	2	
12	598182	screw	4	
13	598189	screw	2	



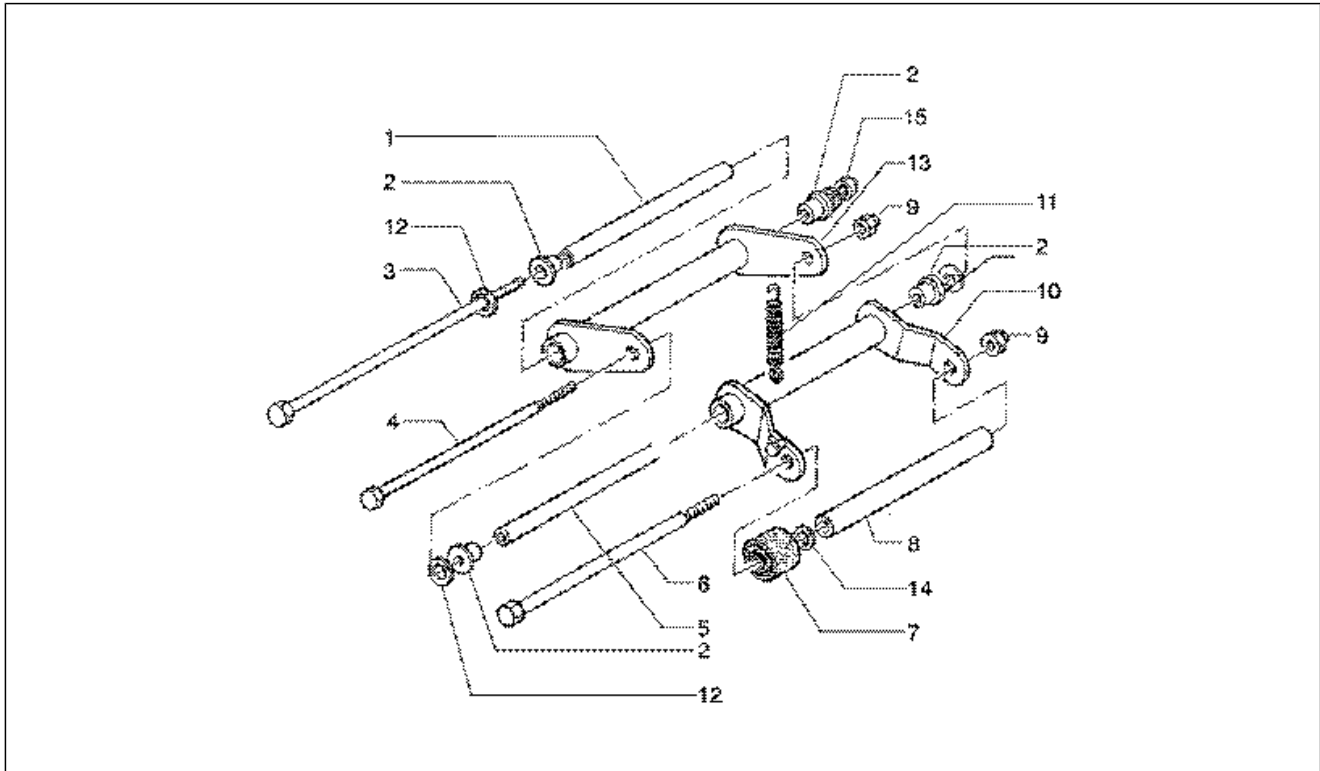
Group	Suspensions-Wheels
Code	T41/B
Description	Showa front fork component parts
Service	1



Pos.	Code	Description	Qty	Variants
1	598324	plate	1	
2	598325	Sleeve	1	
2	598326	Sleeve	1	
3	598331	Oil seal	2	
4	598333	Oil seal	2	
5	598332	Dust cover	2	
6	598342	Sleeve	2	
7	598334	Pad	2	
8	598321	Washer	2	
9	598320	screw	2	
10	598339	Cover	2	
11	598335	Gasket	2	
12	598322	screw	2	
13	598341	screw	2	
14	598323	Washer	2	
15	598330	Washer	2	
16	598327	Cover	2	
17	598328	Ring	2	
18	598336	Ring	2	
19	598344	Spring	2	
20	598345	Spring	2	
21	598329	Bushing	2	
22	598343	pipe	2	



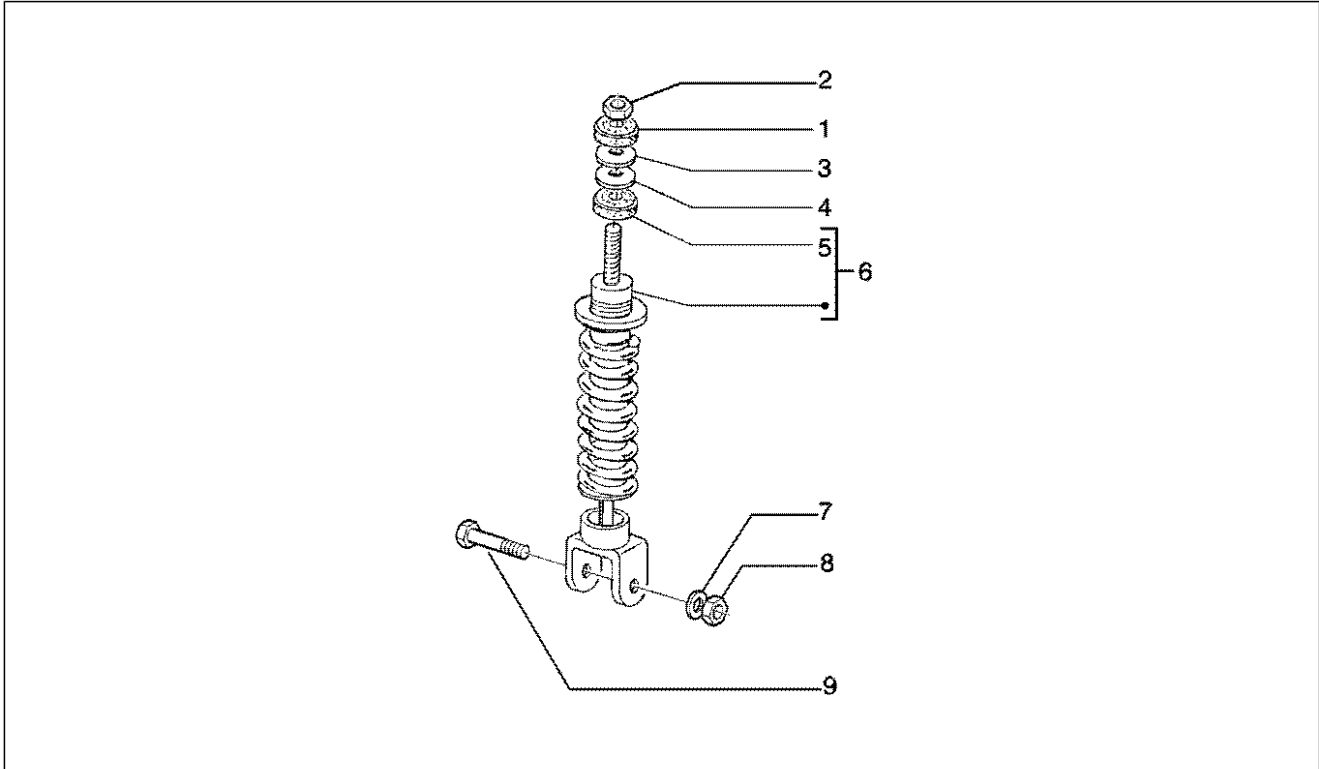
Group	Suspensions-Wheels
Code	T42
Description	Swinging arm
Service	1



Pos.	Code	Description	Qty	Variants
1	269448	Spacer	1	
2	273773	Bush	4	
3	563977	Hex screw M10x245	1	
4	271807	Hex screw M10x202	1	
5	273765	Spacer	1	
6	271779	Hex socket screw M10x215	1	
7	2727785	Sil. block	1	
8	271395	Spacer	1	
9	232108	Self locking nut M10	2	
10	273463	Swinging arm	1	
10	563929	Swinging arm	1	
11	272329	Spring	1	
12	273774	Oil seal	4	
13	563928	Swinging arm	1	
14	006416	Circlip	1	
15	231370	Self locking nut M10	1	



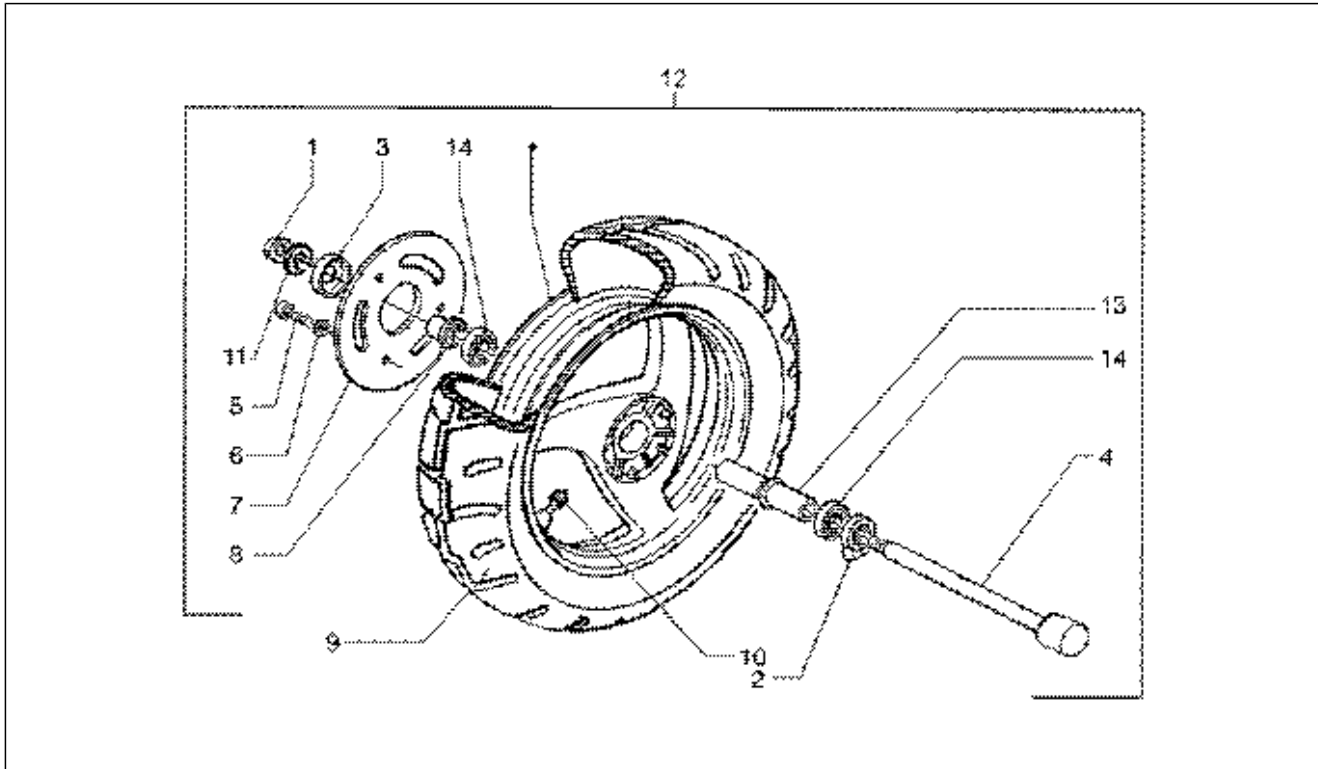
Group	Suspensions-Wheels
Code	T43
Description	Rear damper
Service	1



Pos.	Code	Description	Qty	Variants
1	174874	Pad	1	
2	021108	Nut M8	1	
3	562809	Washer	1	
4	016408	Spring washer 13,75x8,15x4,5	1	
5	216209	Pad	1	
6	56474900E4	Rear shock absorber	1	
6	56474900GE	Rear shock absorber	1	
6	56474900RD	Rear shock absorber	1	
7	016626	Plain washer 10,4x18x2	1	
8	232108	Self locking nut M10	1	
9	563730	screw	1	
9	268158	Screw w/ flange M10	1	



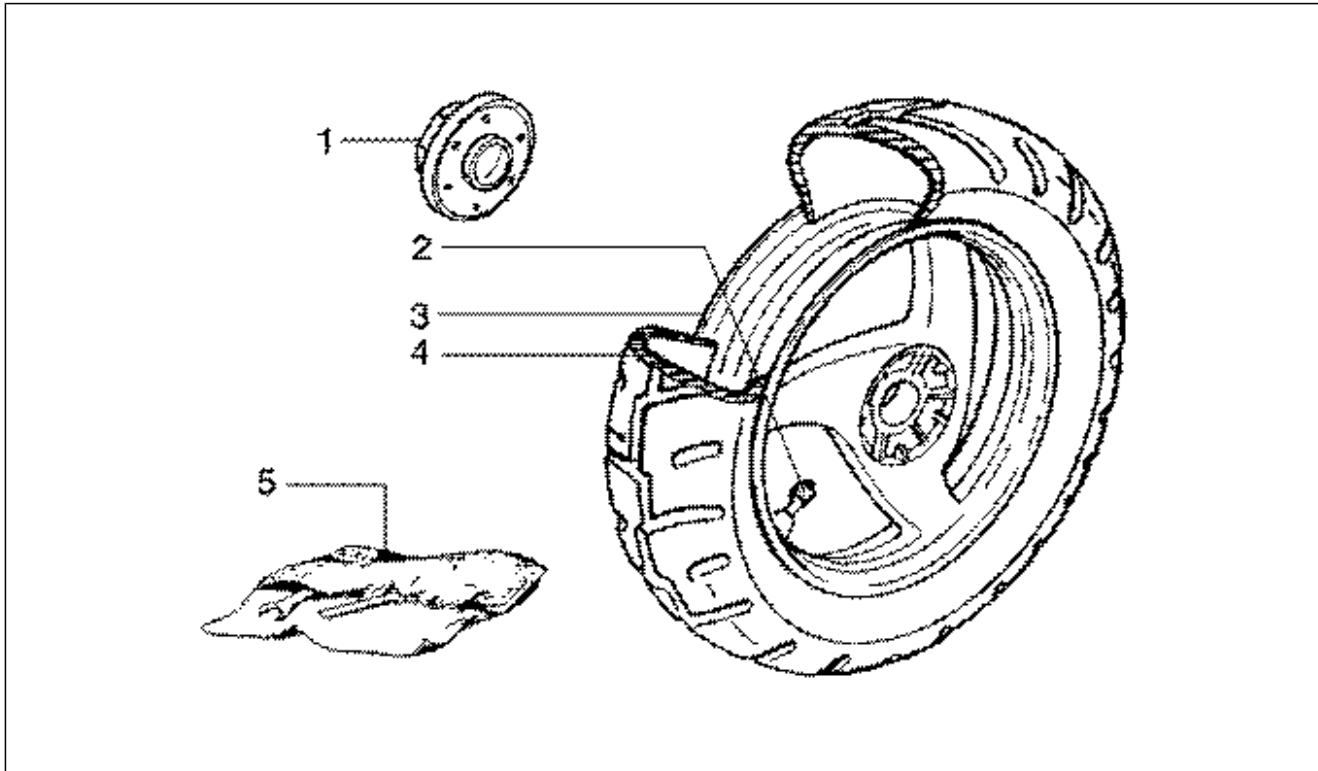
Group	Suspensions-Wheels
Code	T54
Description	Front wheel
Service	1



Pos.	Code	Description	Qty	Variants
1	271740	Nut M12	1	
2	CM064502	Spedometer socket	1	
3	564475	Cup	1	
4	563446	Shaft	1	
5	271147	Hex socket screw M6x20	5	
6	274706	Washer 6,4x10x0,7	5	
7	561714	Front brake disc	1	
8	271748	Spacer	1	
9	561761	Tyre 120/70-12" Pirelli	1	
9	564021	Tyre 120/70-12" Pirelli	1	
9	597248	Tyre	1	
10	270991	Tubeless tyre valve	1	
11	271740	Nut M12	1	
12	56440600B1	Wheel	1	
12	56440600GE	Wheel	1	
12	56440600R7	Wheel	1	
12	5644060003	Wheel	1	
12	56440600A3	Wheel	1	
13	563410	Spacer	1	
14	327187	Bearing	2	



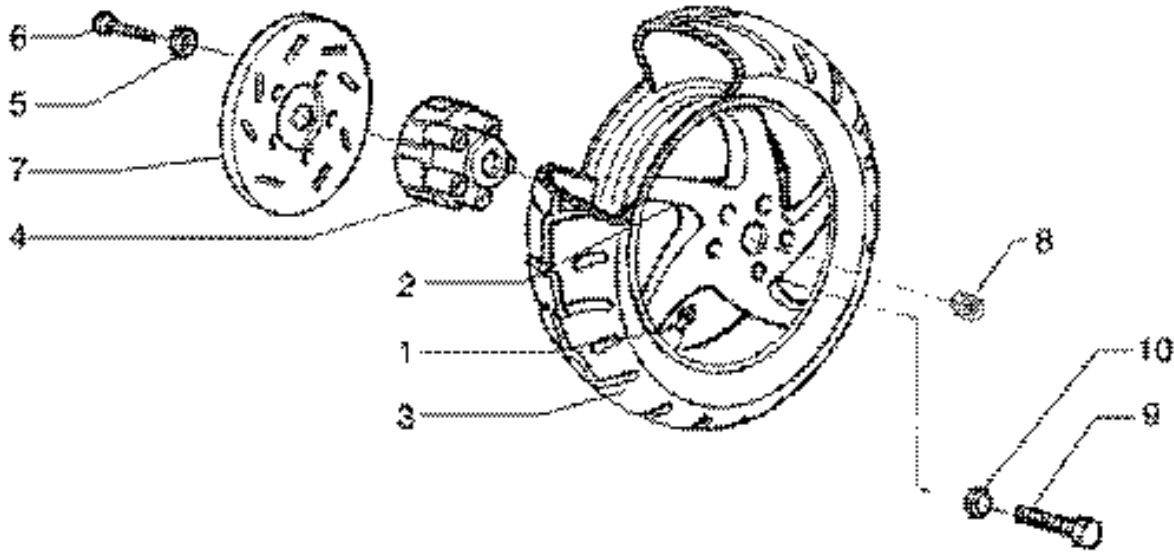
Group	Suspensions-Wheels
Code	T55
Description	Rear wheel(model with rear hub brake)
Service	1



Pos.	Code	Description	Qty	Variants
1	563755	Cover	1	
2	270991	Tubeless tyre valve	1	
3	56483900B1	Wheel	1	
4	561783	Tyre 130/70-12" Pirelli	1	
5	5637175	Tool roll	1	
5	561866	Tool roll	1	



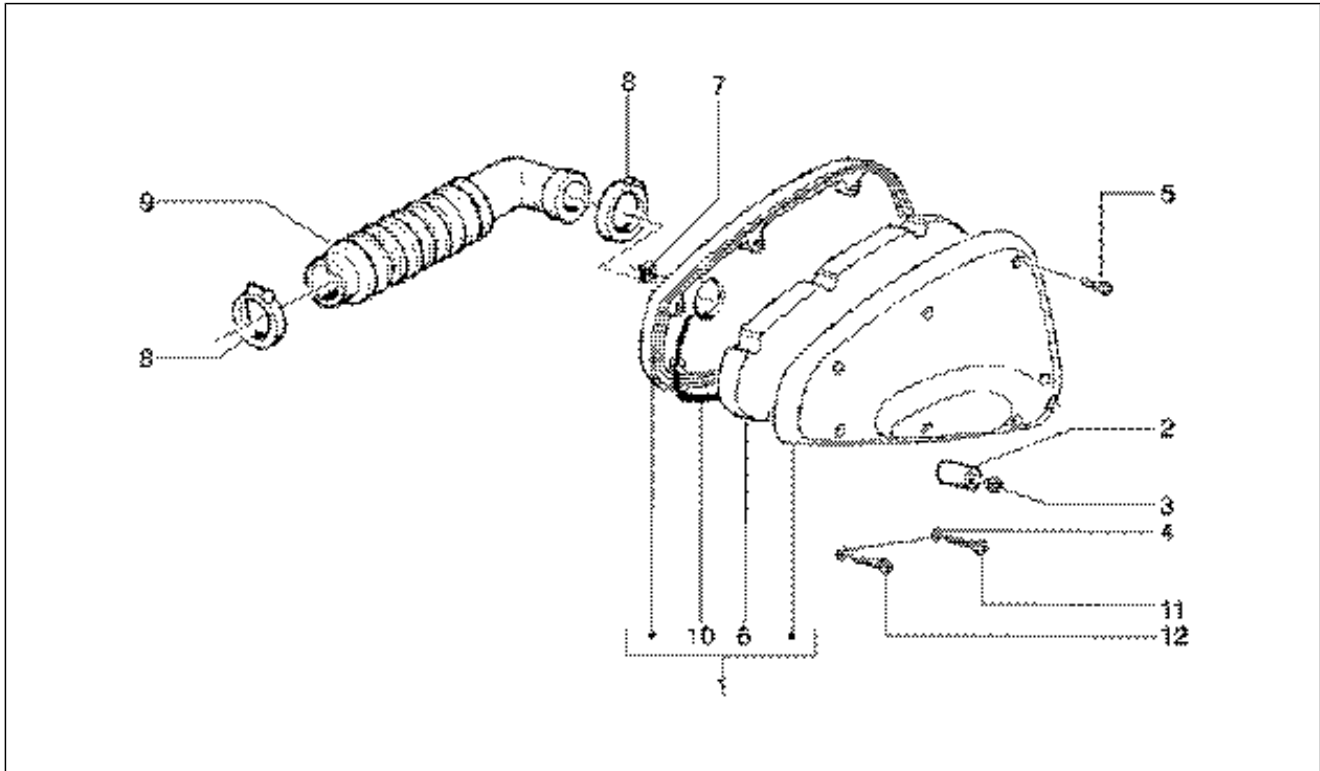
Group	Suspensions-Wheels
Code	T55/A
Description	Rear wheel(vehicle withrear hub brake)
Service	1



Pos.	Code	Description	Qty	Variants
1	270991	Tubeless tyre valve	1	
2	56412500B1	Rear wheel	1	
2	564531	Rear wheel	1	
2	56412500A3	Rear wheel	1	
2	5641250003	Rear wheel	1	
2	56412500R7	Rear wheel	1	
2	56412500GE	Rear wheel	1	
3	564148	Tyre	1	
3	597491	Tyre	1	
3	5641455	Rear wheel	1	
4	564114	Hub	1	
5	270706	Washer	5	
6	271147	Hex socket screw M6x20	5	
7	564371	Brake disc	1	
8	562129	Cover	1	
9	015792	screw M8x30	5	
10	709047	Spring washer	5	



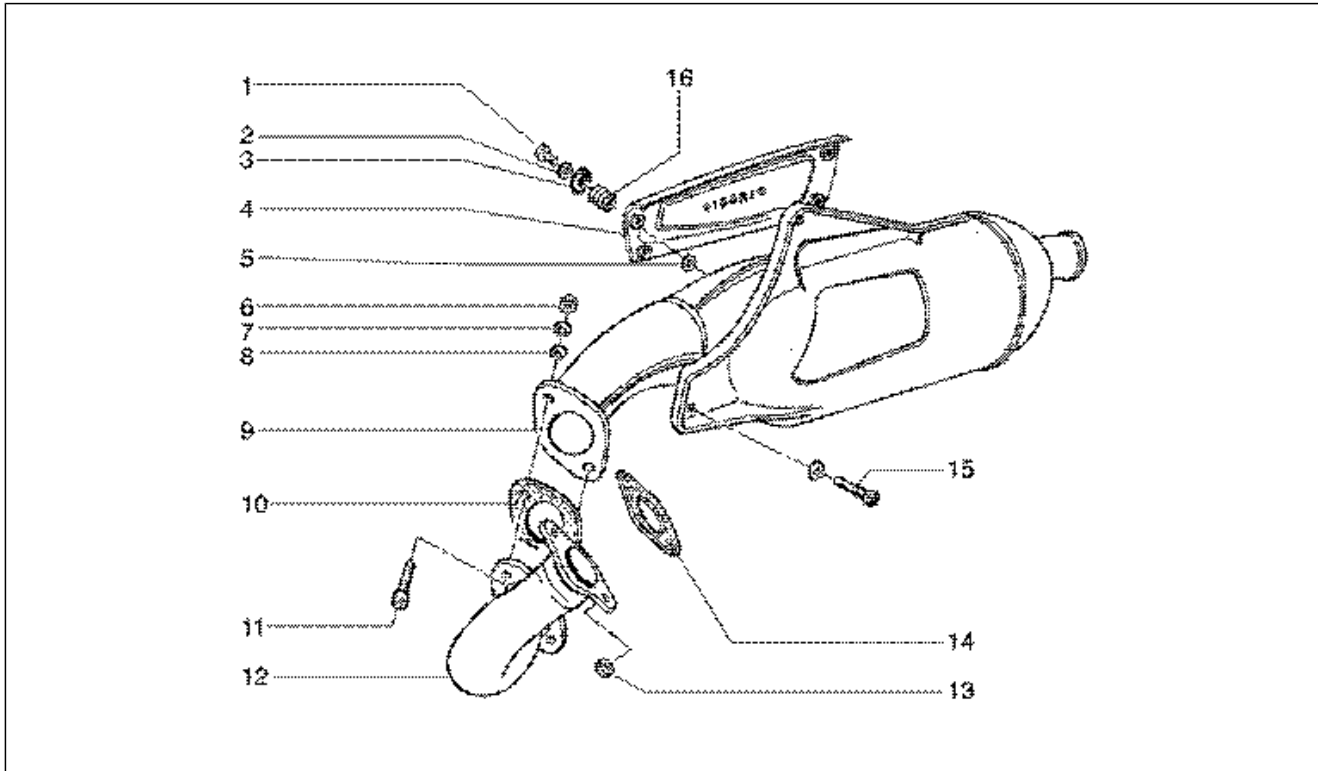
Group	Chassis
Code	T18
Description	Air cleaner
Service	1



Pos.	Code	Description	Qty	Variants
1	478519	Air filter	1	
2	480243	Spacer	2	
3	258536	Knurled bushing	4	
3	830056	Knurled bushing	1	
4	012533	Notched washer 6,6x11x0	2	
5	258146	Self-tap screw M3x20	7	
6	480084	Filter	1	
7	254485	Spring plate M6	1	
8	709532	Hose clamp	2	
8	109960	Hose clamp	2	
9	431863	Bellows	1	
10	479959	Gasket	1	
11	478171	Hex socket screw M6x100	1	
12	481032	screw M6x75	1	



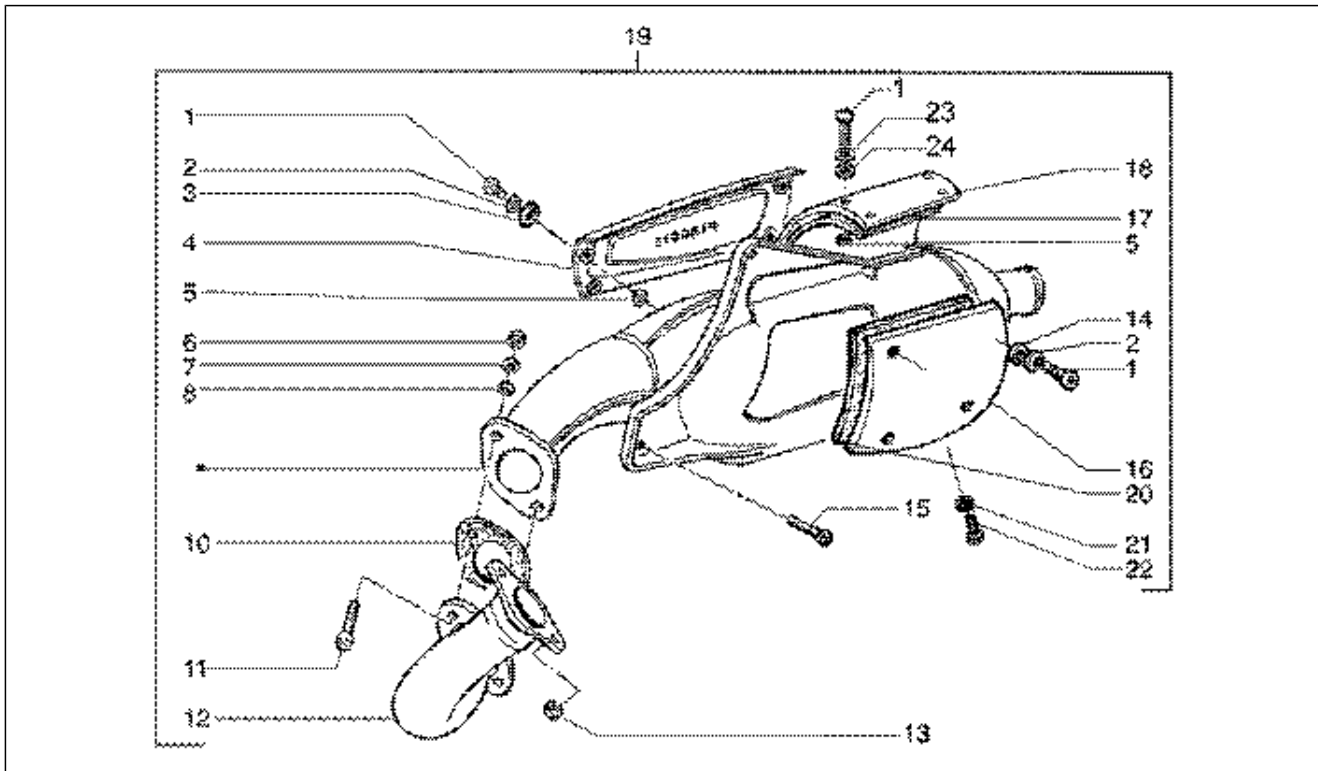
Group	Chassis
Code	T19
Description	Silencer
Service	1



Pos.	Code	Description	Qty	Variants
1	433800	screw M5x10	4	
2	016405	Spring washer 8,5x5,1x1,5	4	
3	482282	Bowl	4	
4	482280	Protection	1	
5	103556	Washer	4	
6	001564	Nut	2	
7	016408	Spring washer 13,75x8,15x4,5	2	
8	016604	Washer	2	
9	482274	Silencer	1	
10	432127	Gasket	1	
11	015792	screw M8x30	2	
12	484344	Exhaust pipe	1	
13	015341	Flanged nut	2	
14	431600	Gasket	1	
15	432334	Screw m8x50	2	
15	844483	Hex socket screw M8x50	2	
16	482281	Spacer	4	



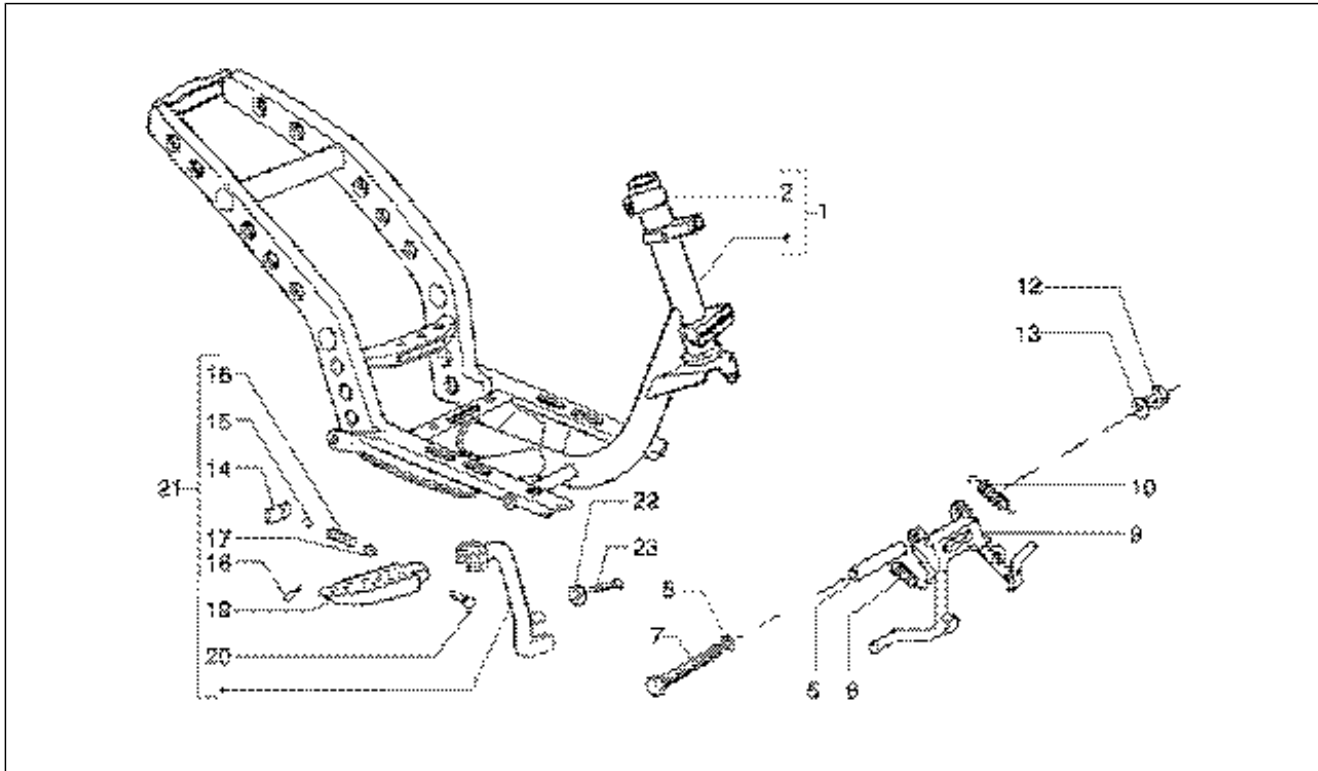
Group	Chassis
Code	T19/A
Description	Catalytic silencer
Service	1



Pos.	Code	Description	Qty	Variants
1	827192	screw	7	
2	016405	Spring washer 8,5x5,1x1,5	3	
3	003055	Plain washer 5,4x10x0,8	3	
4	480990	Guard	1	
4	482280	Protection	1	
5	013754	Washer	2	
6	001564	Nut	2	
7	016408	Spring washer 13,75x8,15x4,5	2	
8	016604	Washer	2	
10	432127	Gasket	1	
11	015792	screw M8x30	2	
12	484344	Exhaust pipe	1	
13	015341	Flanged nut	2	
14	006078	Plain washer 12x5.2x1	1	
15	844483	Hex socket screw M8x50	2	
15	432334	Screw m8x50	2	
16	825327	Guard	4	
17	486993	Tyre	1	
18	486985	Guard	1	
19	827170	Muffler, assy.	1	
19	478520	Muffler, assy.	1	
20	825868	Tyre	1	
21	016195	Washer ϕ 10.2x ϕ 15x2	1	
22	433122	Screw w/ flange M10	1	
23	827193	Washer	4	
24	827564	Washer	4	
24	103556	Washer	4	



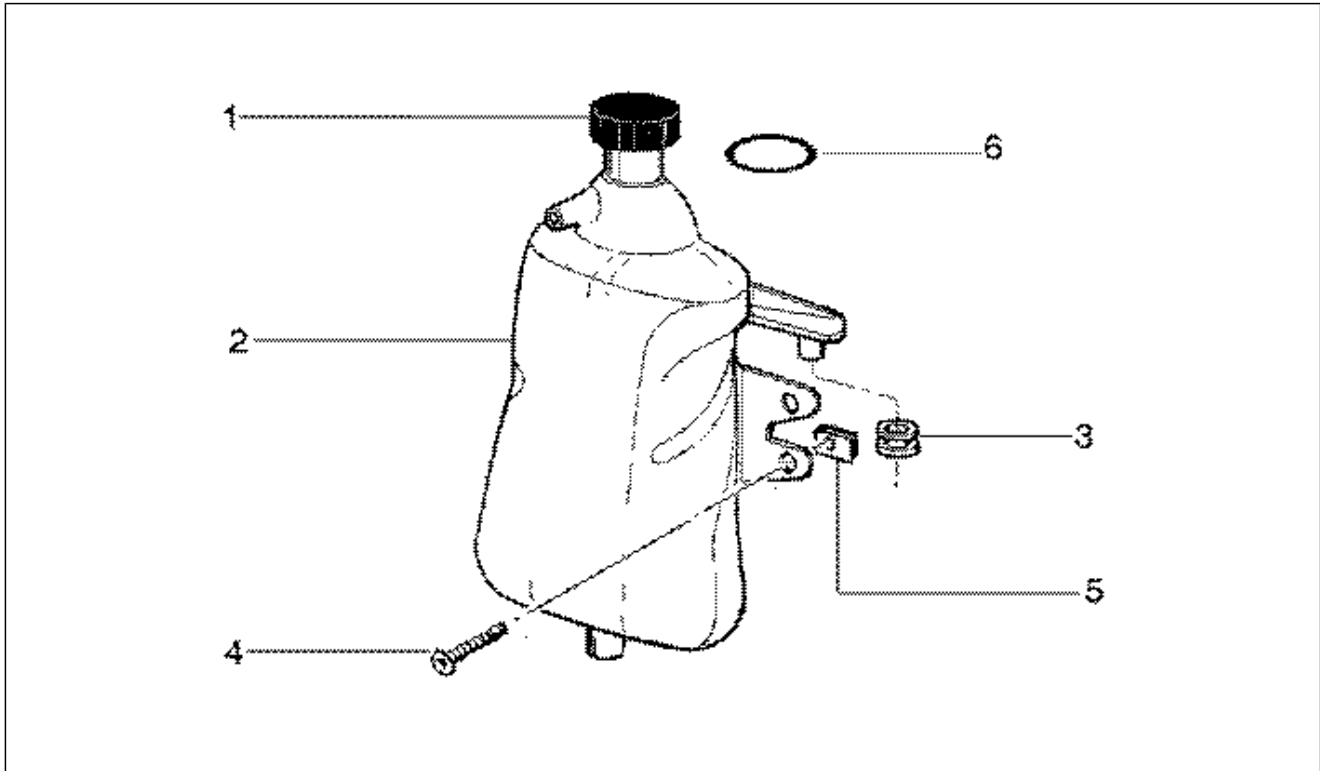
Group	Chassis
Code	T20
Description	Chasis-central stand
Service	1



Pos.	Code	Description	Qty	Variants
1	577688	Frame	1	
1	2988966	Frame	1	
2	298604	Lock support	1	
5	272177	Spacer	1	
6	271175	Spring	1	
7	272178	screw	1	
9	580985	Central stand	1	
10	268419	Spring	1	
12	272176	Nut	1	
13	003058	Flat washer 15x8,4x1,5	1	
14	295592	Rubber mat stop foot rest	2	
15	295591	Ball D6	2	
16	295590	Premisphere spring	2	
17	006177	Washer	2	
18	003208	Cotter pin	2	
18	259933	Elastic spring	2	
19	295451	Foot rest	2	
20	295593	Pin	2	
21	573502	Footrest	1	
21	573501	Footrest	1	
22	003058	Flat washer 15x8,4x1,5	4	
23	031119	Hex screw M8x22	2	



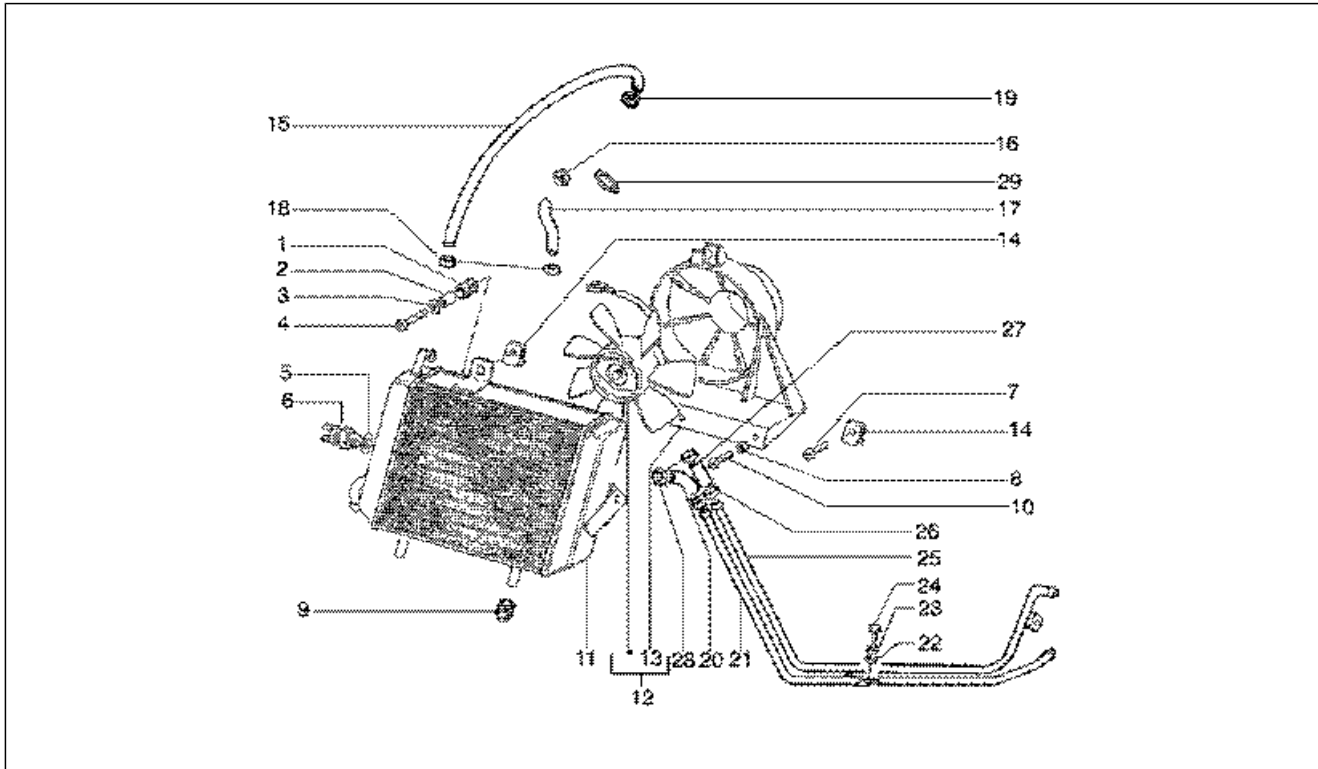
Group	Chassis
Code	T21
Description	Expansion tank
Service	1



Pos.	Code	Description	Qty	Variants
1	573454	Tank cap	1	
1	623673	Expansion tank plug	1	
2	576260	Tank	1	
2	621368	Coolant tank	1	
3	258904	Lower rubber	1	
4	575249	Metric screw TBC	2	
5	254485	Spring plate M6	2	
6	620737	Fuel tank gasket	1	
6	270251	Tank gasket	1	



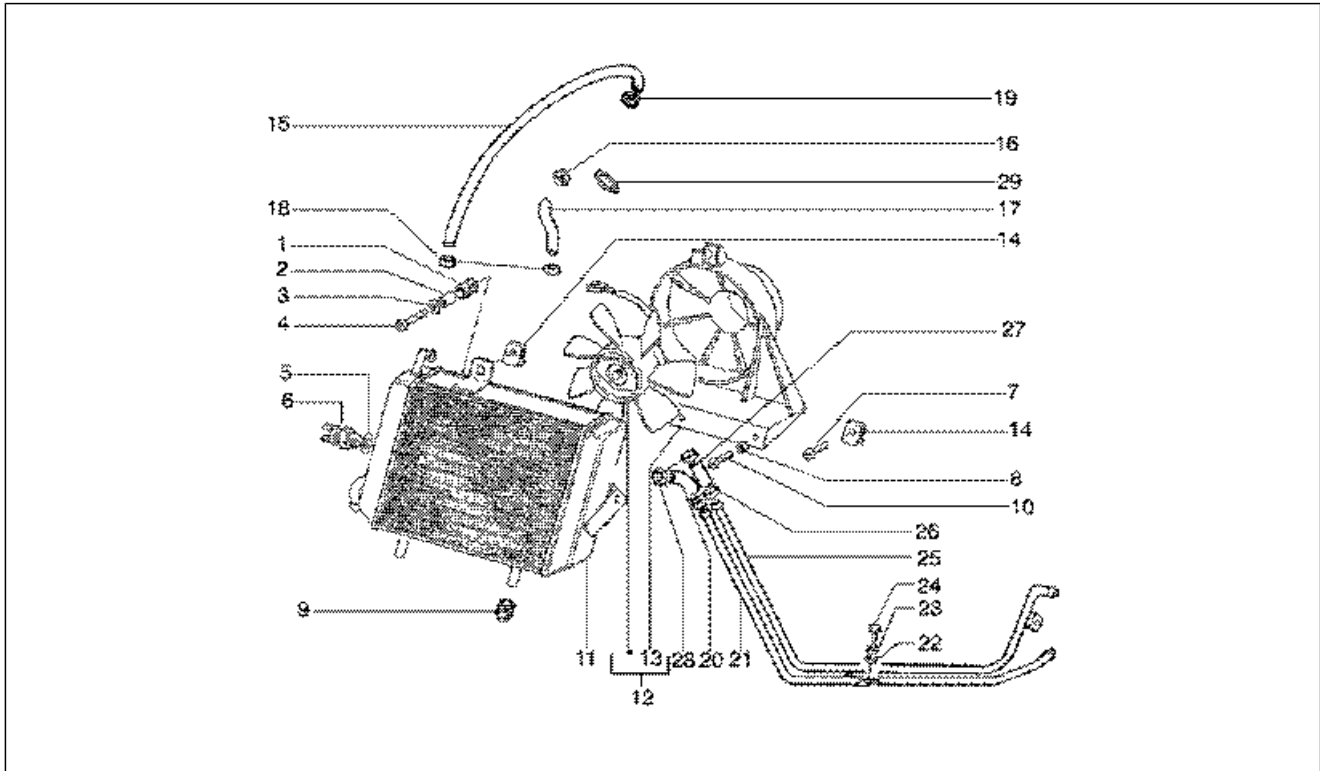
Group	Chassis
Code	T22
Description	Cooling system
Service	1



Pos.	Code	Description	Qty	Variants
1	351782	Upper rubber	1	
2	273288	Spacer	1	
3	013092	Washer d6,2x20x1	1	
4	271891	Screw m6x30	1	
5	168077	Copper gasket	1	
6	293301	Thermal switch	1	
7	259830	Metric screw M6x20	3	
8	012112	Nut	2	
9	258904	Lower rubber	2	
10	015856	screw M5x21	2	
11	57301R	Water cooler	1	
11	299388	Water cooler	1	
12	580922	Fan engine	1	
13	299382	Maintenance	1	
14	254485	Spring plate M6	4	
15	573059	Oil delivery pipe	1	
15	621564	Coolant tank-cooler feed pipe	1	
16	CM001904	Hose clamp	1	
17	573060	Return pipe	1	
18	CM001903	Hose clamp	2	
19	CM001903	Hose clamp	1	
20	299943	Joint	1	
21	575264	Radiator hose	1	
21	299940	Radiator hose	1	
22	016406	Spring washer 6,4x11,8x1	1	
23	003056	Flat washer 6,4x12x1	1	
24	031088	screw M6x16	1	
25	575262	Radiator hose	1	



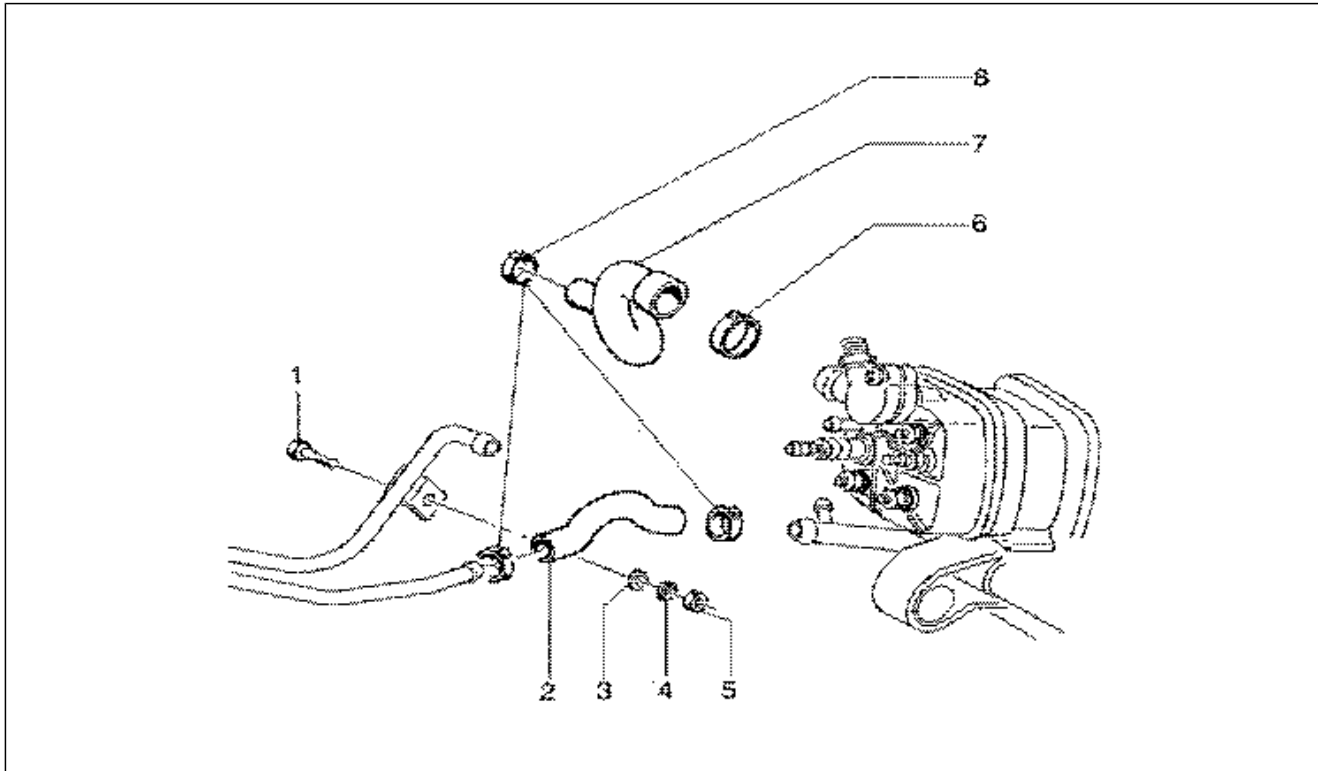
Group	Chassis
Code	T22
Description	Cooling system
Service	1



Pos.	Code	Description	Qty	Variants
25	299939	Radiator hose	1	
26	CM001907	Hose clamp	2	
27	299944	Joint	1	
28	CM001907	Hose clamp	2	
29	145298	Lock-strap L=180mm	1	



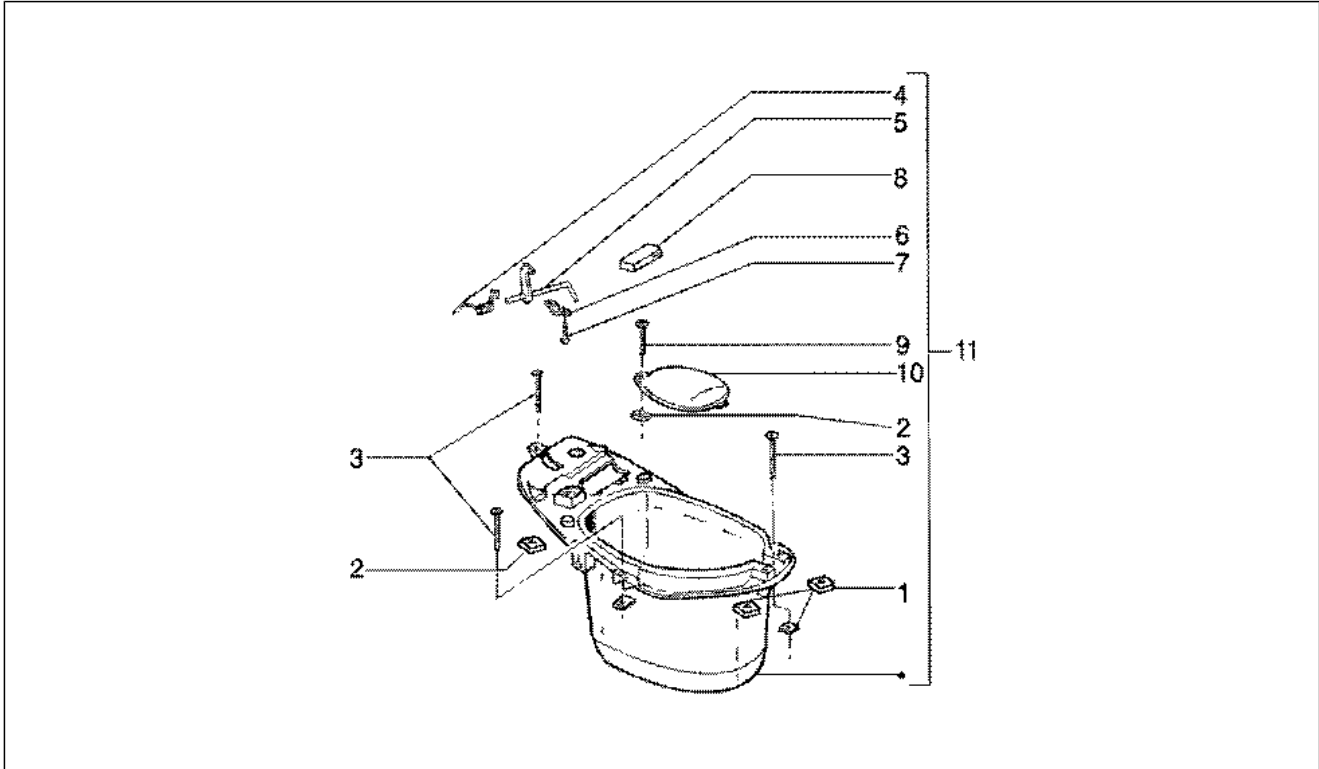
Group	Chassis
Code	T23
Description	Cooling system
Service	1



Pos.	Code	Description	Qty	Variants
1	031088	screw M6x16	1	
2	299967	Return pipe	1	
3	003056	Flat washer 6,4x12x1	1	
4	016406	Spring washer 6,4x11,8x1	1	
5	020106	Nut M6	1	
6	CM001907	Hose clamp	1	
7	299970	Oil delivery pipe	1	
8	CM001907	Hose clamp	1	



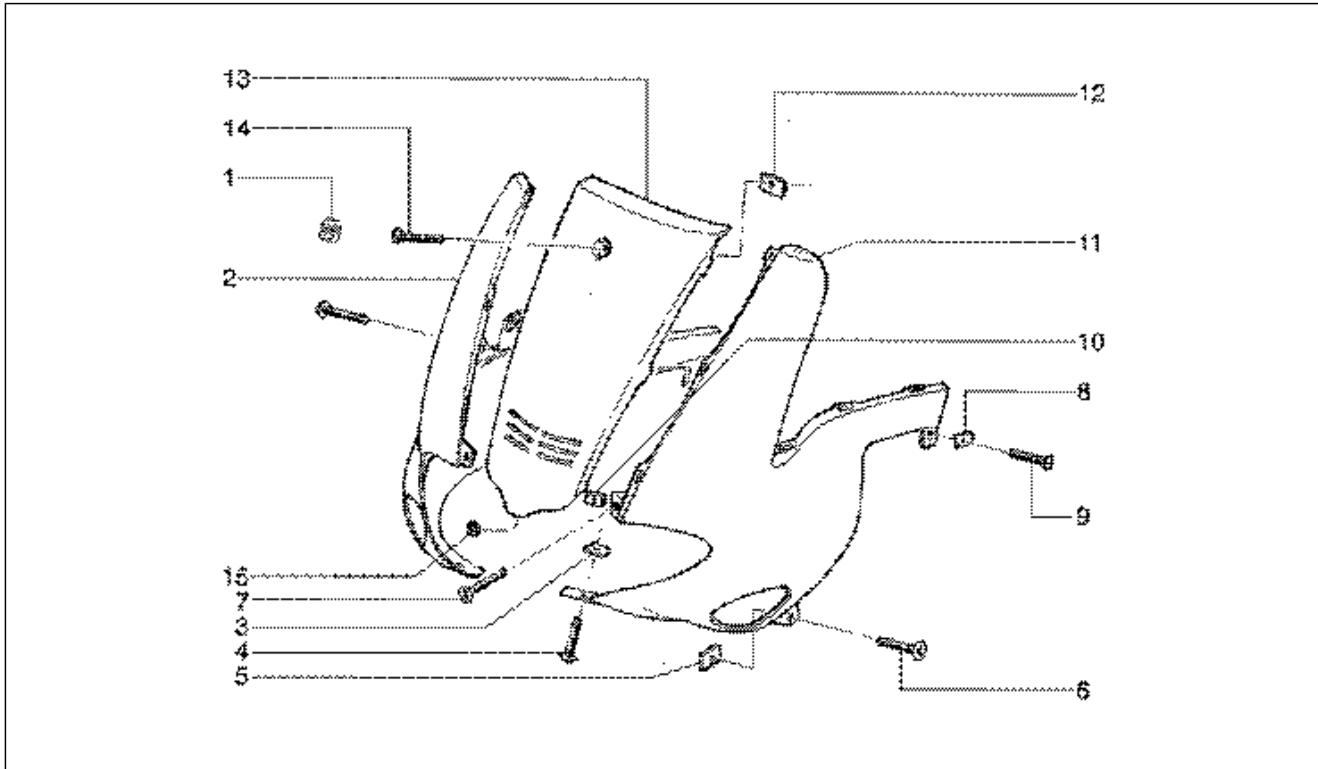
Group	Chassis
Code	T24
Description	Case helmet
Service	1



Pos.	Code	Description	Qty	Variants
1	254485	Spring plate M6	8	
2	184142	Spring plate	4	
3	575249	Metric screw TBC	4	
3	259348	Metric screw TBC	2	
4	575766	Spring	1	
5	299349	Pin	1	
6	296743	Bracket	1	
7	008432	screw M3,5x9,5	2	
8	299386	Cover	1	
9	259349	Screw M4,2x13	1	
10	297349	Flap	1	
10	576108	Flap	1	
11	298141	Helmet compartment	1	
11	577820	Helmet holder assembly	1	
11	575251	Helmet compartment	1	



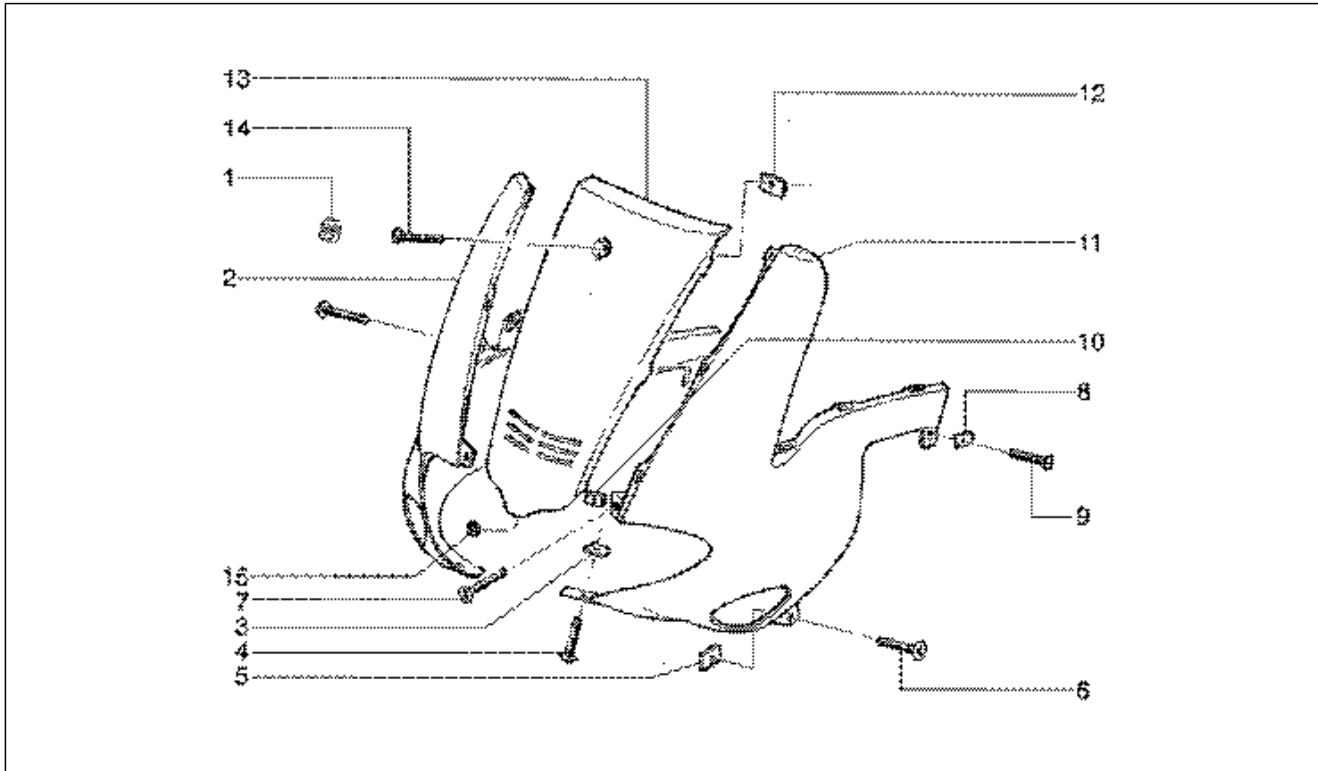
Group	Chassis
Code	T25
Description	Fairings
Service	1



Pos.	Code	Description	Qty	Variants
1	573508	Gilera shield	1	
2	4296005090	***FF RH COVER RUN. 94 (2002)	1	
2	42960050R6	***FF RH COVER RUN. 883	1	
2	42960000G9	Tyre	1	
2	4296005028	***FF RH COVER RUN. 859	1	
2	4296005095	***FF RH COVER RUN. 729	1	
2	4296005040	***FF RH COVER RUN. 954	1	
2	4296005	***FF RH COVER RUN. UNPAINTED	1	
2	42960050E1	Tyre	1	
2	4296005042	***FF RH COVER RUN. 197	1	
2	42960050R7	Tyre	1	
3	184142	Spring plate	6	
4	258249	screw 4,2x19	4	
5	184142	Spring plate	4	
6	259349	Screw M4,2x13	4	
7	259349	Screw M4,2x13	2	
8	184142	Spring plate	2	
9	270723	Self tapping screw	2	
10	254485	Spring plate M6	2	
11	4295005042	***FRONT L/H COVER RUNNER 197	1	
11	4295005095	***FRONT L/H COVER RUNNER 729	1	
11	4295005	***FRONT L/H COVER RUNNER UNPAINTED	1	
11	42950050R6	***FRONT L/H COVER RUNNER 883	1	
11	4295005028	***FRONT L/H COVER RUNNER 859	1	
11	42950050R7	Tyre	1	
11	42950000G9	Cover, l.h.	1	
11	4295005040	***FRONT L/H COVER RUNNER 954	1	
11	42950050E1	Tyre	1	



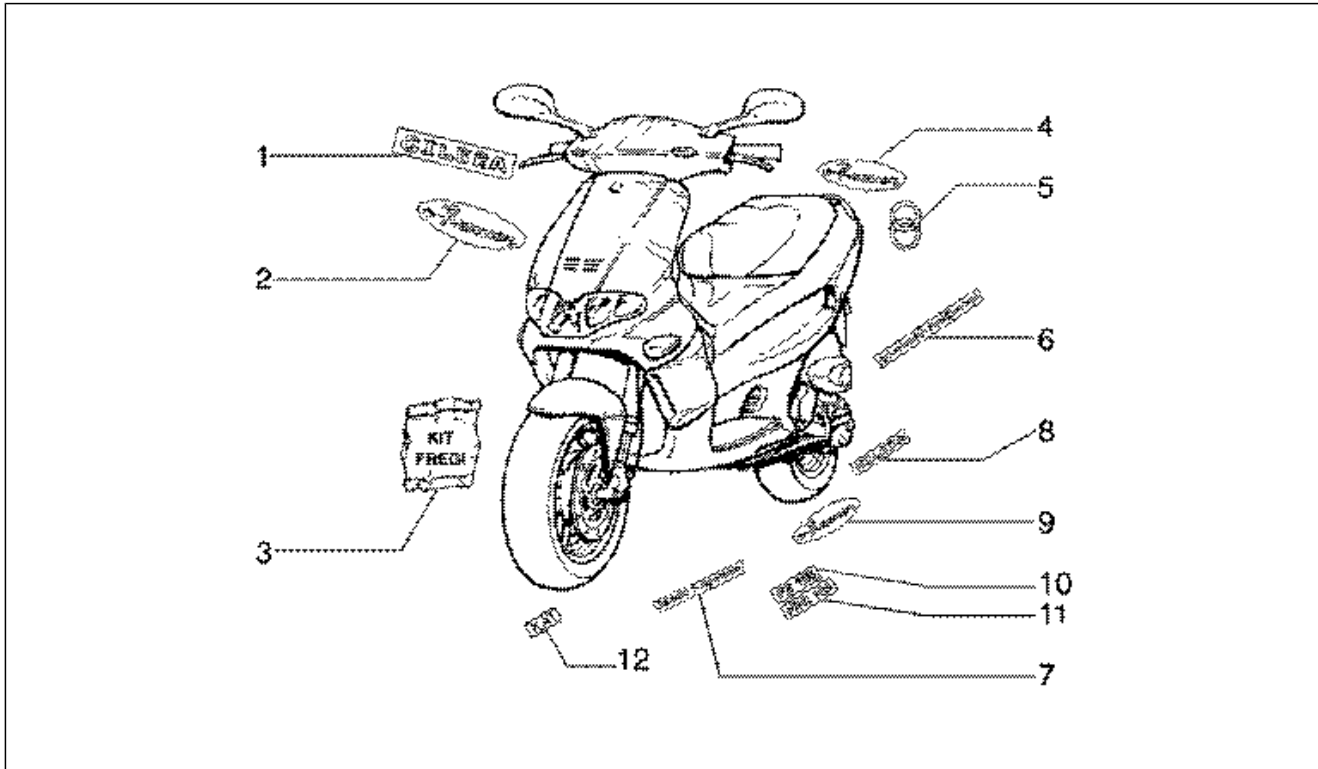
Group	Chassis
Code	T25
Description	Fairings
Service	1



Pos.	Code	Description	Qty	Variants
11	4295005090	***FRONT L/H COVER RUNNER 94	1	
11	4295005003	***FRONT L/H COVER RUNNER 417	1	
12	254485	Spring plate M6	1	
13	57785300E1	Radiator grill	1	
13	57785300NC	Radiator grill	1	
13	4294005003	Radiator grill	1	
13	4294005042	Radiator grill	1	
13	4294005040	Radiator grill	1	
13	42940050E1	Radiator grill	1	
13	4294005095	Radiator grill	1	
13	42940050R6	Radiator grill	1	
13	4294005028	Radiator grill	1	
13	4294005	Radiator grill	1	
13	4294005090	Radiator grill	1	
14	575249	Metric screw TBC	1	
15	272861	Pad	1	



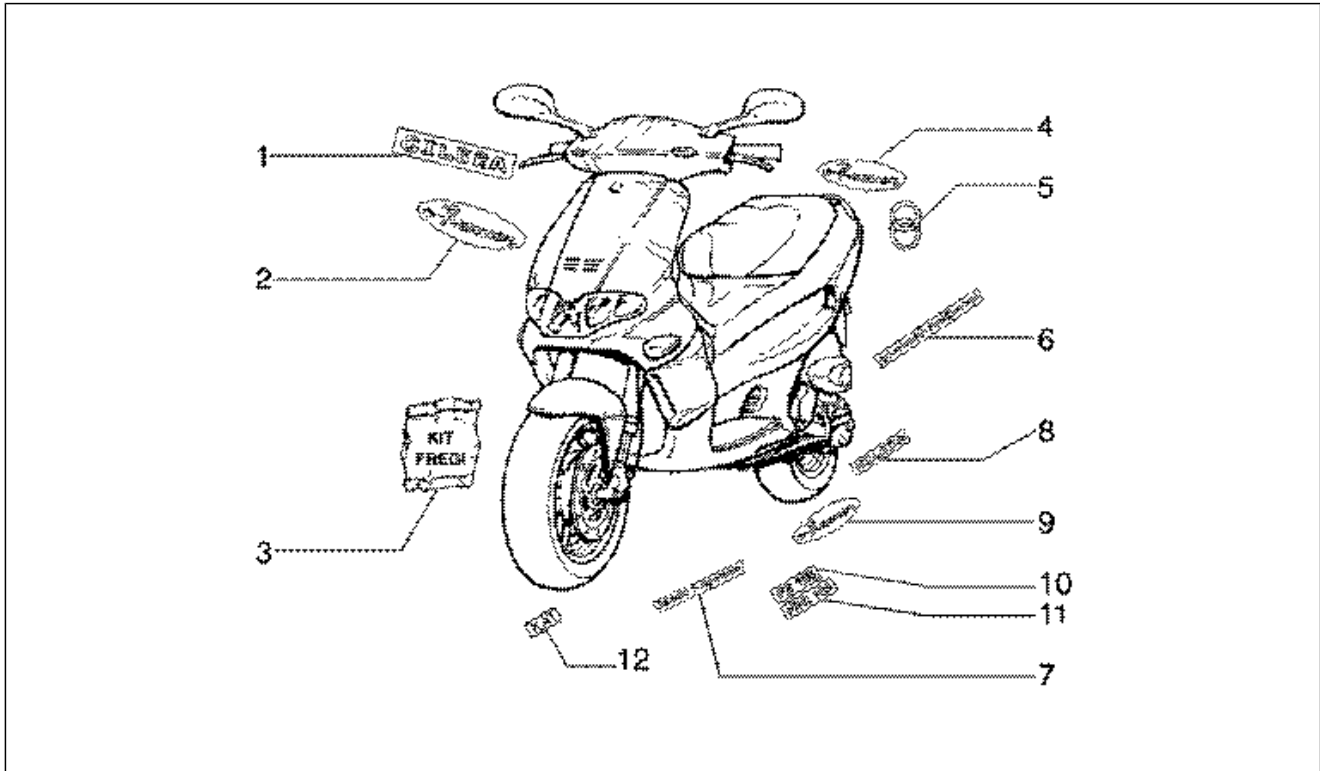
Group	Chassis
Code	T26
Description	Emblems
Service	1



Pos.	Code	Description	Qty	Variants
1	5746110095	Sticker	1	
1	5746110042	Sticker	1	
2	5746100095	Sticker	1	
2	5746100042	Sticker	1	
2	575478	Sticker	2	
3	5745980042	Trimmings kit	1	
3	5763410090	Trimmings kit	1	
3	5763410095	Trimmings kit	1	
3	5745980095	Trimmings kit	1	
4	5745210042	Sticker	1	
4	5745210095	Sticker	1	
4	5757450095	Sticker	1	
4	5757450090	Sticker	1	
5	5768140095	Front cover	2	
5	5768140090	Front cover	2	
5	5745140095	Front cover	1	
5	5745140042	Front cover	1	
6	5745200042	Sticker	1	
6	5757430090	Sticker	2	
6	5745200095	Sticker	1	
6	5757430095	Sticker	2	
7	5745180095	Decal	1	
7	5745180042	Decal	1	
7	5757440090	Sticker	2	
7	5757440095	Sticker	2	
8	5757420095	Sticker	2	
8	5757420090	Sticker	2	
8	5745160095	Sticker	1	



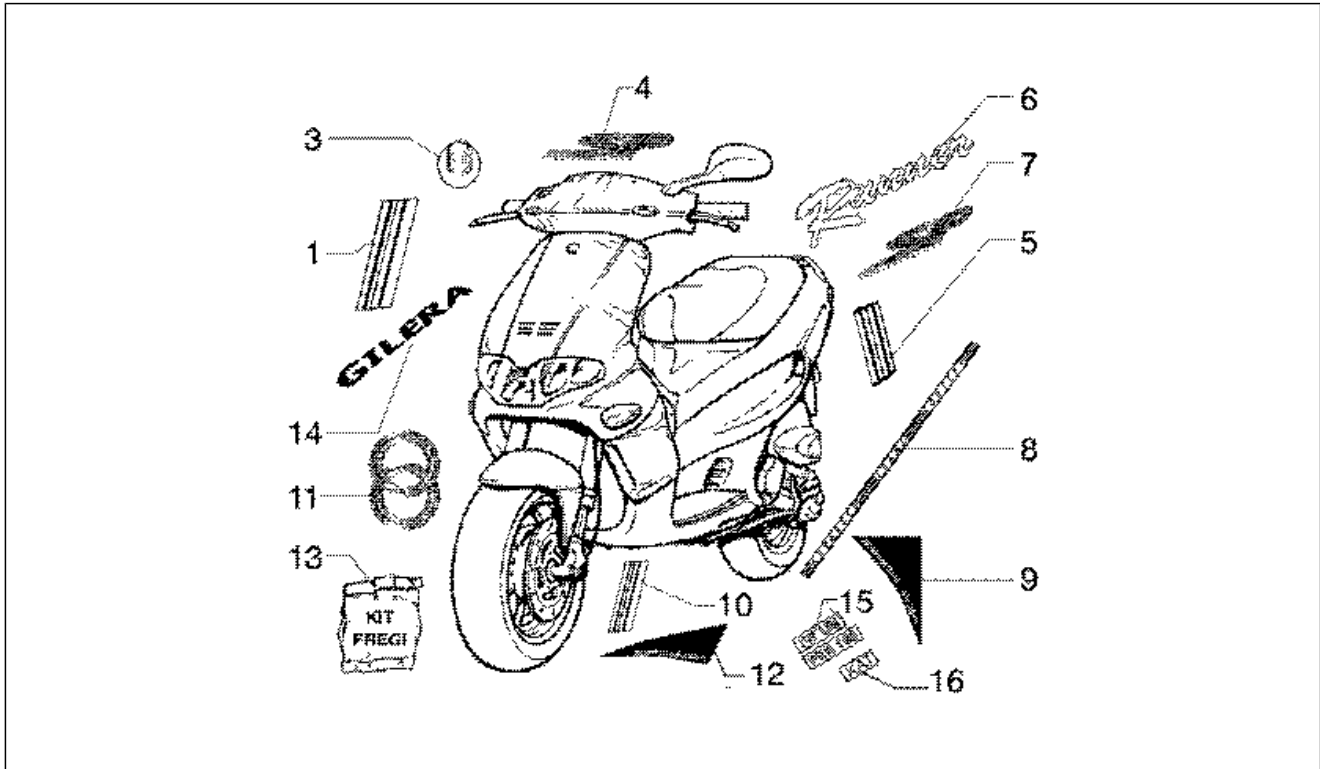
Group	Chassis
Code	T26
Description	Emblems
Service	1



Pos.	Code	Description	Qty	Variants
8	5745160042	Sticker	1	
9	5746080095	Sticker	1	
9	5746080042	Sticker	1	
9	575477	Sticker	2	
10	5768190090	Sticker	1	
11	5768200090	Sticker	1	
12	575735	"Kat" plate	1	



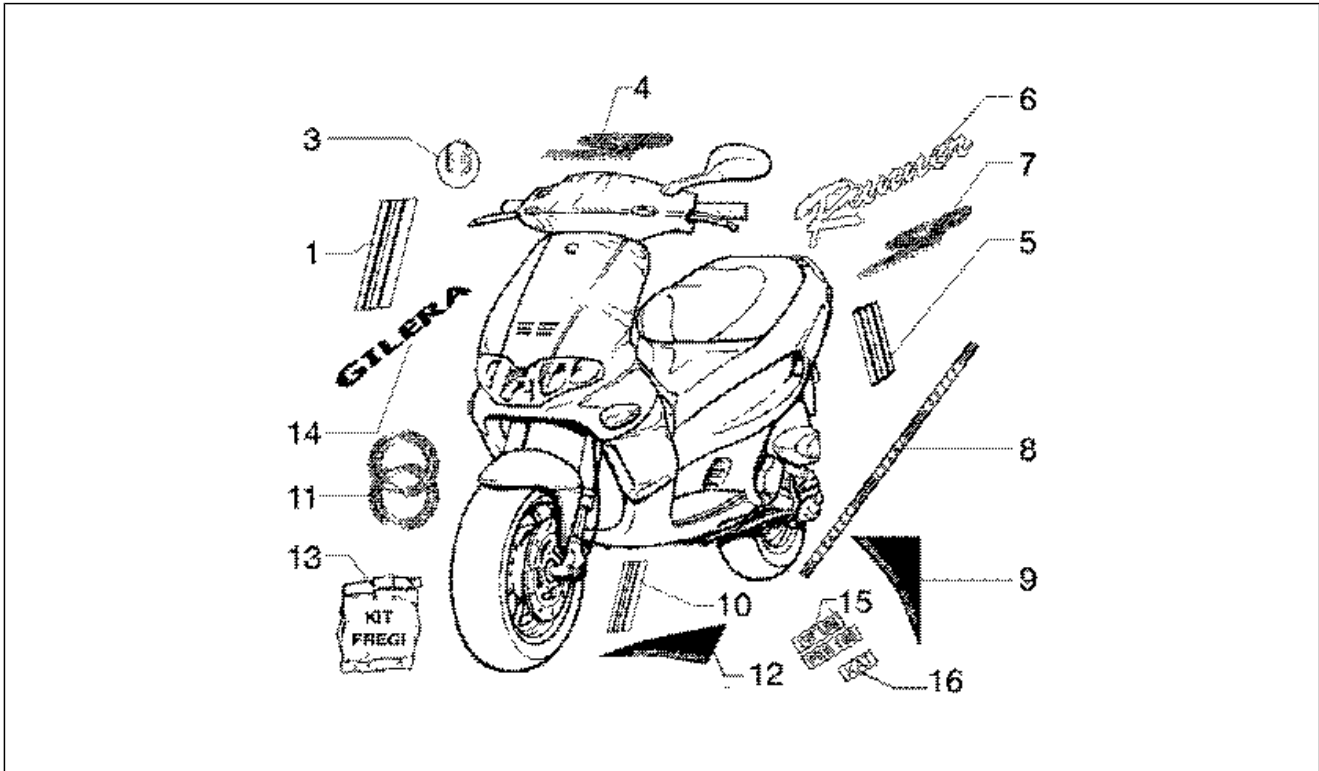
Group	Chassis
Code	T26/A
Description	K.trimmings (vehicle sport production)
Service	1



Pos.	Code	Description	Qty	Variants
1	575760	Decal	2	
3	573508	Gilera shield	1	
4	574897	Sticker	1	
5	574893	Rear stripe	2	
6	575477	Sticker	1	
7	5757520028	Sticker	2	
7	57575200R4	Sticker	2	
7	5757520095	Sticker	2	
8	5757560095	Sticker	2	
8	57575600R4	Sticker	2	
8	5757560028	Sticker	2	
9	5757570028	Sticker	1	
9	57575700R4	Sticker	1	
9	5757570095	Sticker	1	
9	5757580028	Sticker	1	
9	5757580095	Sticker	1	
9	57575800R4	Sticker	1	
10	574896	Front mudguard stripe	1	
11	574892	Front cover	2	
12	5757550095	Sticker	1	
12	5757540095	Sticker	1	
12	5757540028	Sticker	1	
12	57575500R4	Sticker	1	
12	5757550028	Sticker	1	
12	57575400R4	Sticker	1	
13	5754610028	Trimmings kit	1	
13	57635200R4	Trimmings kit	1	
13	5754610095	Trimmings kit	1	



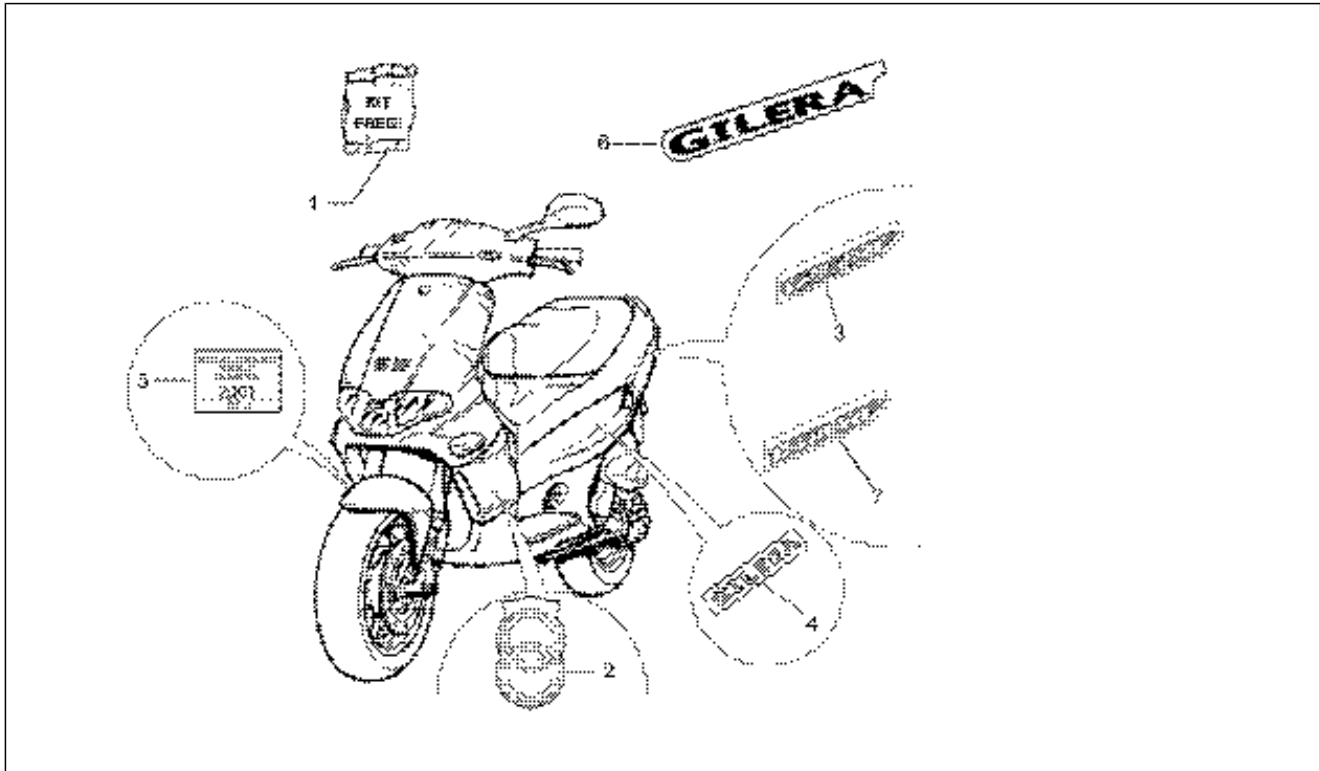
Group	Chassis
Code	T26/A
Description	K.trimmings (vehicle sport production)
Service	1



Pos.	Code	Description	Qty	Variants
14	574891	Sticker	2	
15	575465	Sticker	2	
16	575735	"Kat" plate	1	



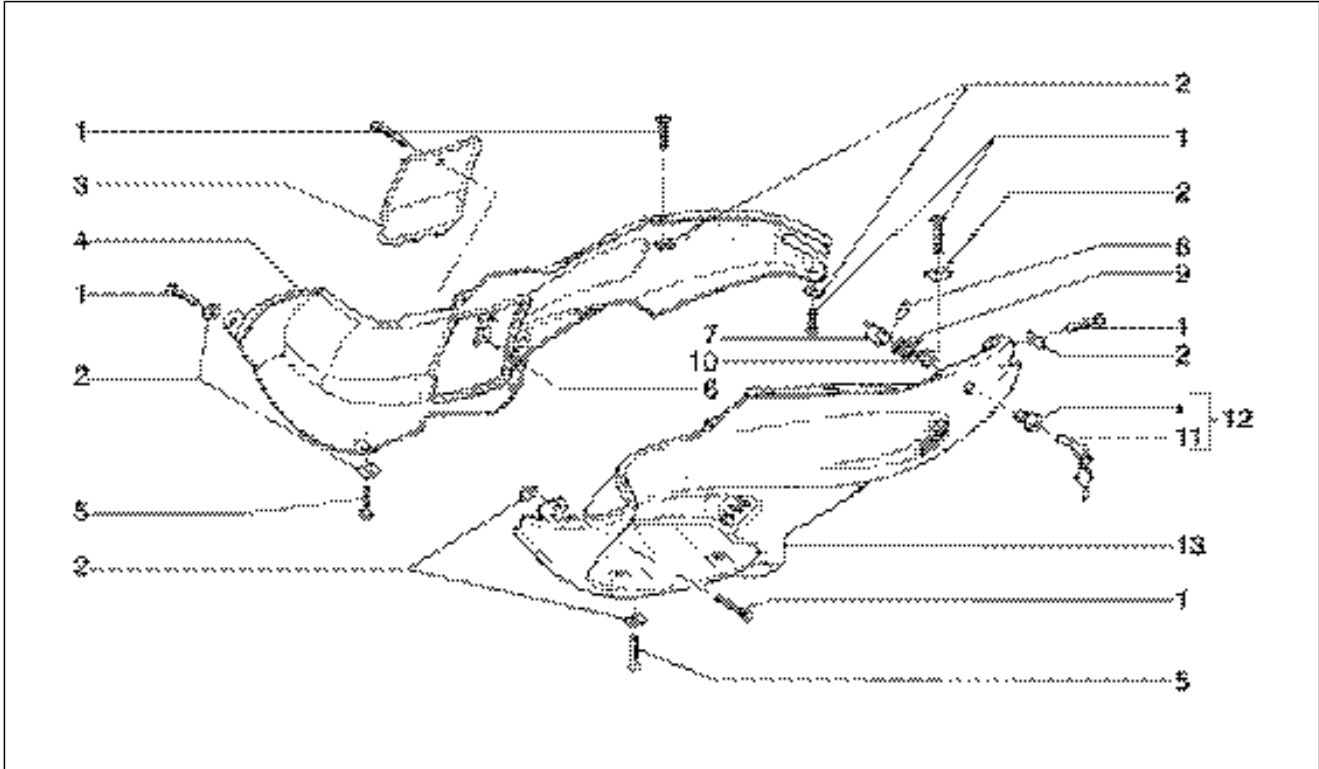
Group	Chassis
Code	T26/B
Description	Model 2002 emblems
Service	1



Pos.	Code	Description	Qty	Variants
1	577973	Trimmings kit	1	
2	577980	"Gilera" symbol plate	2	
3	577982	Name plate	2	
4	577986	"Gilera" name plate	2	
5	577991	"World Champion" name plate	1	
6	6200160043	"Gilera" name plate	1	
6	6200170045	"Gilera" name plate	1	
6	6200160045	"Gilera" name plate	1	
6	6200170043	"Gilera" name plate	1	



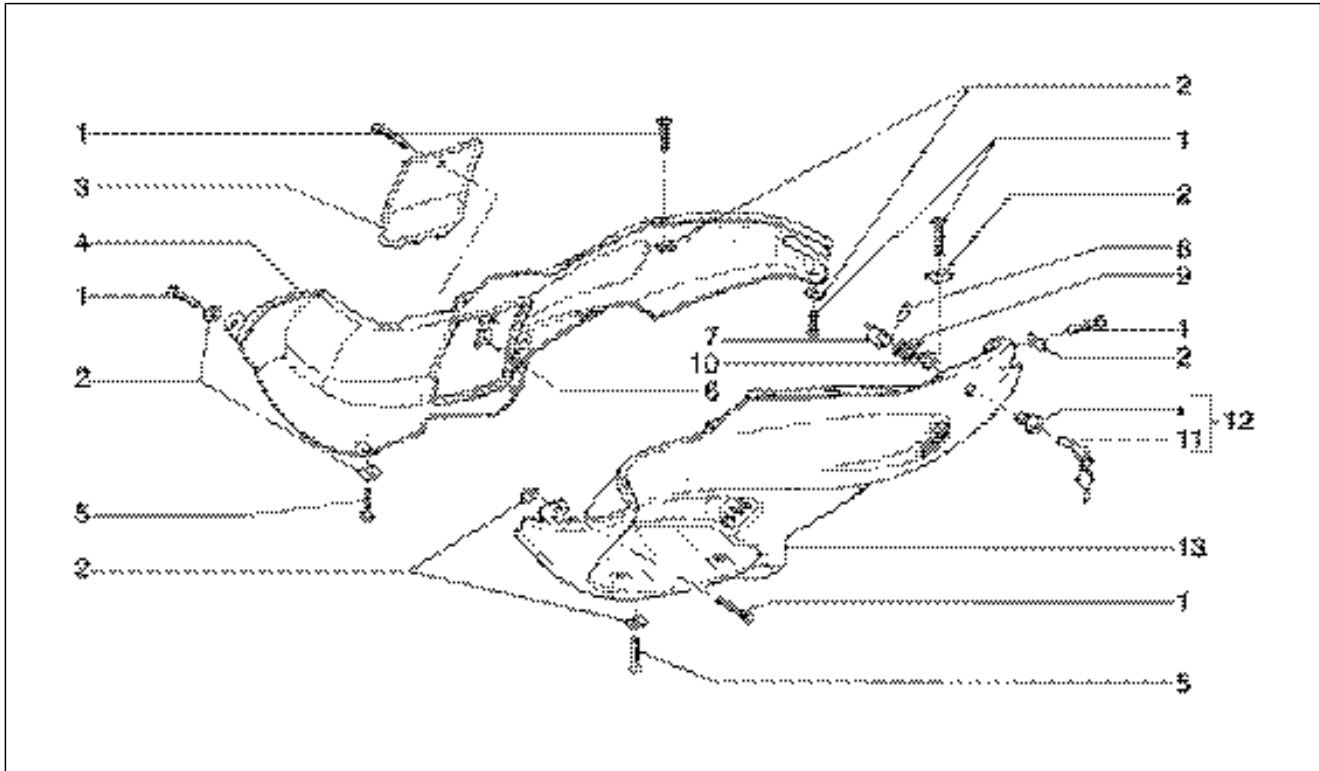
Group	Chassis
Code	T27
Description	Fairings
Service	1



Pos.	Code	Description	Qty	Variants
1	015911	Self tapping screw 4,2x16	7	
1	259830	Metric screw M6x20	7	
2	184142	Spring plate	8	
3	5745245090	Battery door	1	
3	620310	Not available	1	
3	57452450R4	Battery door	1	
3	62031000E1	Battery door	1	
3	5745245040	Battery door	1	
3	5745245042	Battery door	1	
3	5745245095	Battery door	1	
3	57452450R6	Battery door	1	
3	5745245028	Battery door	1	
3	62031000A7	Battery door	1	
4	4298005095	Fairing,rh.	1	
4	4298005	Fairing,rh.	1	
4	4298005042	Fairing,rh.	1	
4	4298005028	Fairing,rh.	1	
4	4298005040	Fairing,rh.	1	
4	42980050E1	Fairing,rh.	1	
4	42980050A7	Fairing,rh.	1	
4	42980050R4	Fairing,rh.	1	
4	42980050R6	Fairing,rh.	1	
4	4298005090	Fairing	1	
5	575249	Metric screw TBC	2	
6	184142	Spring plate	1	
7	576008	Lever	1	
8	008808	Plate	1	
9	465054	Spring	1	



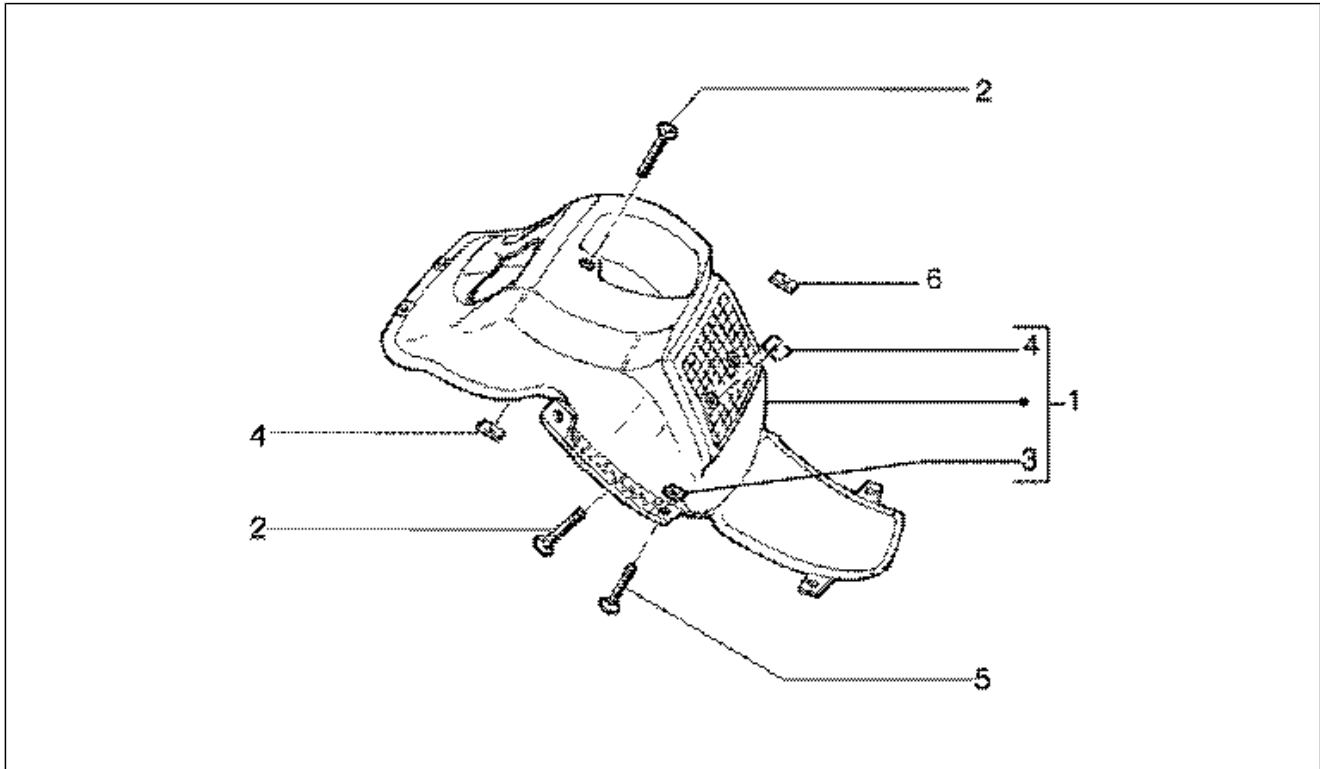
Group	Chassis
Code	T27
Description	Fairings
Service	1



Pos.	Code	Description	Qty	Variants
10	299387	Spring	1	
11	576719	Key blank	1	
12	576718	Lock,assy	1	
13	5748755028	Fairing,lh.	1	
13	57487550E1	Fairing,lh.	1	
13	5748755090	Fairing	1	
13	57487550R6	Fairing,lh.	1	
13	5748755095	Fairing,lh.	1	
13	57487550A7	Fairing,lh.	1	
13	5748755	Fairing,lh.	1	
13	5748755040	Fairing,lh.	1	
13	5748755042	Fairing,lh.	1	



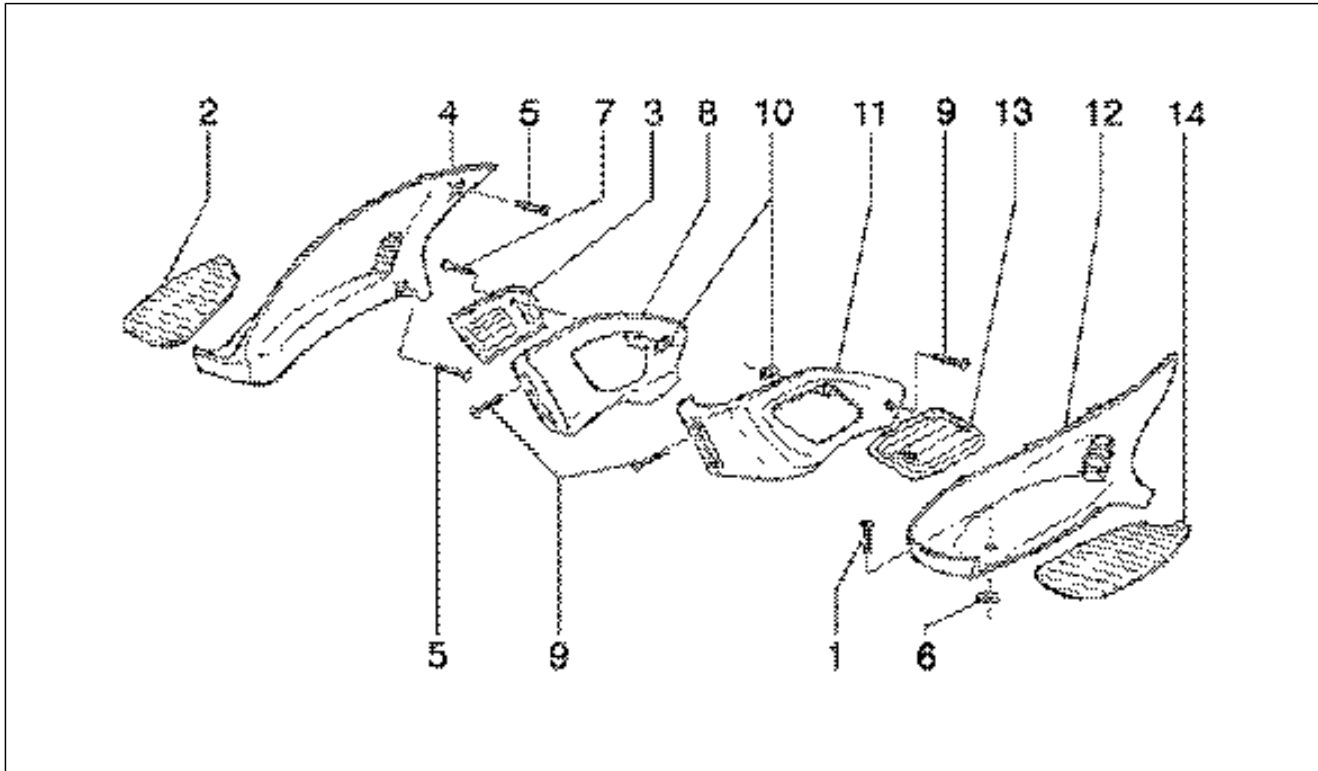
Group	Chassis
Code	T28
Description	Fairings
Service	1



Pos.	Code	Description	Qty	Variants
1	299107000C	Lower protection	1	
2	575249	Metric screw TBC	3	
3	184142	Spring plate	13	
4	254485	Spring plate M6	1	
5	270723	Self tapping screw	4	
6	254485	Spring plate M6	3	



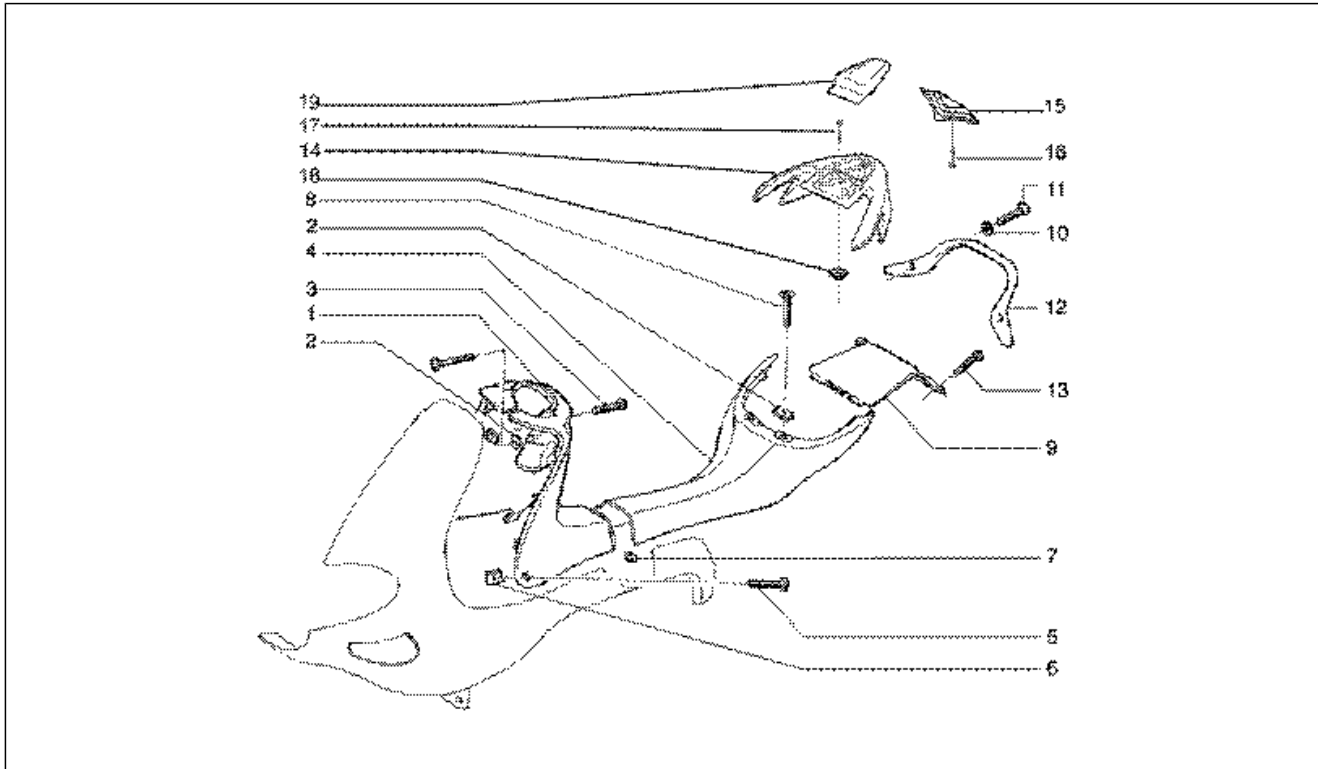
Group	Chassis
Code	T29
Description	Fairings
Service	1



Pos.	Code	Description	Qty	Variants
1	259830	Metric screw M6x20	2	
2	299776	Mat	1	
3	298895000C	Grid	1	
3	5756590028	Grid	1	
4	298134000D	Footrest	1	
4	298134000P	Footrest	1	
5	297498	Self tapping screw	4	
6	254485	Spring plate M6	4	
7	270723	Self tapping screw	7	
8	298893000P	Air intake	1	
8	298893000NC	Air intake	1	
8	2988930043	Air intake	1	
8	2988930003	Air intake	1	
9	258249	screw 4,2x19	8	
9	015911	Self tapping screw 4,2x16	2	
10	184142	Spring plate	8	
11	298892000P	Air intake	1	
11	2988920028	Air intake	1	
11	298892000G	Air intake	1	
11	2988920043	Air intake	1	
11	298892000NC	Air intake	1	
12	298133000P	Footrest	1	
12	298133000D	Footrest	1	
13	5756580028	Grid	1	
13	298894000C	Grid	1	
14	299775	Mat	1	



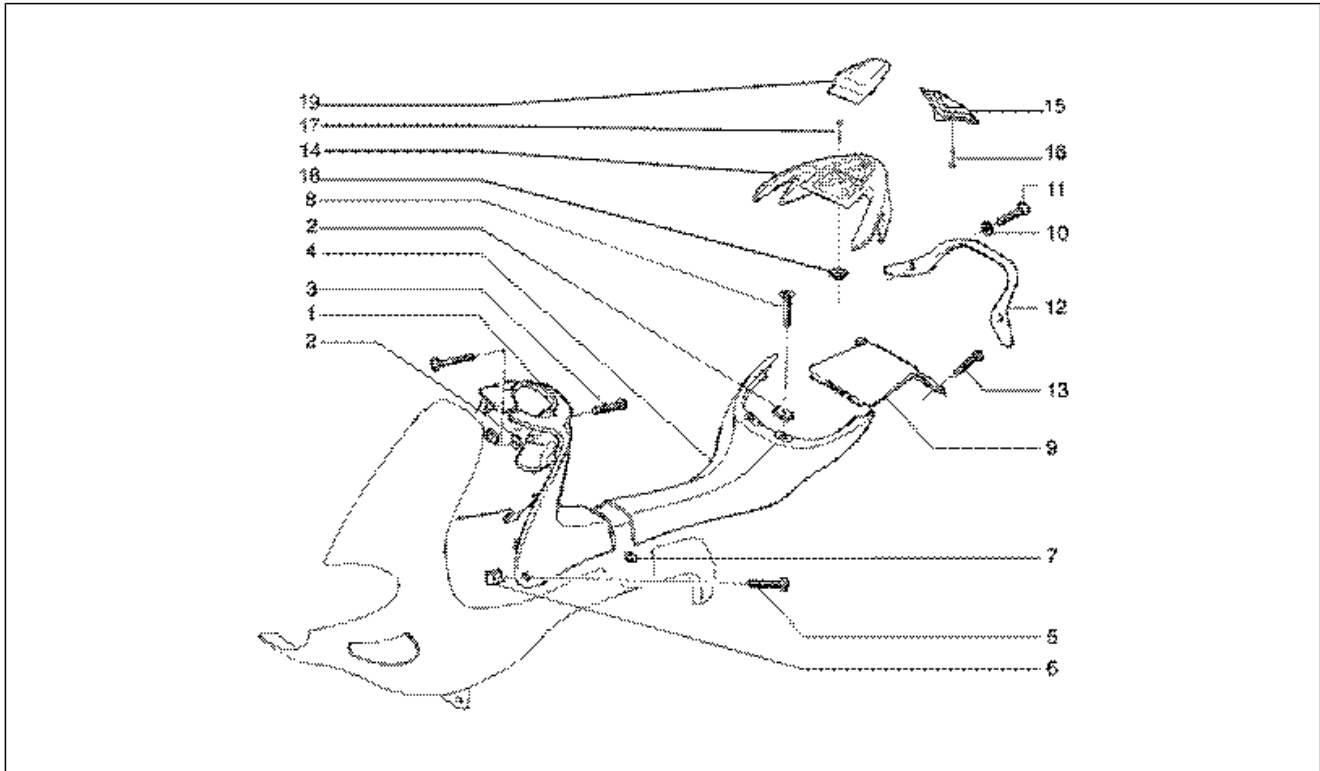
Group	Chassis
Code	T30
Description	Fairings
Service	1



Pos.	Code	Description	Qty	Variants
1	298132000P	Upper protection	1	
1	298132000D	Upper protection	1	
2	254485	Spring plate M6	1	
3	575249	Metric screw TBC	1	
4	299384000P	Upper protection	1	
4	299384000D	Rear protection	1	
5	270723	Self tapping screw	2	
6	184142	Spring plate	2	
7	299693	Catch spring	5	
8	575249	Metric screw TBC	3	
9	8156005090	Plug	1	
9	8156005028	Plug	1	
9	81560050R4	Plug	1	
9	8156005042	Plug	1	
9	8156005	Plug	1	
9	8156005095	Plug	1	
9	81560050R6	Plug	1	
9	8156005040	Plug	1	
10	003056	Flat washer 6,4x12x1	2	
11	323990	screw	2	
12	2988970090	Handle	1	
12	2988970040	Handle	1	
12	29889700E1	Handle	1	
12	2988970042	Handle	1	
12	2988970095	Handle	1	
12	29889700R6	Handle	1	
12	298897	Handle	1	
12	2988970028	Handle	1	



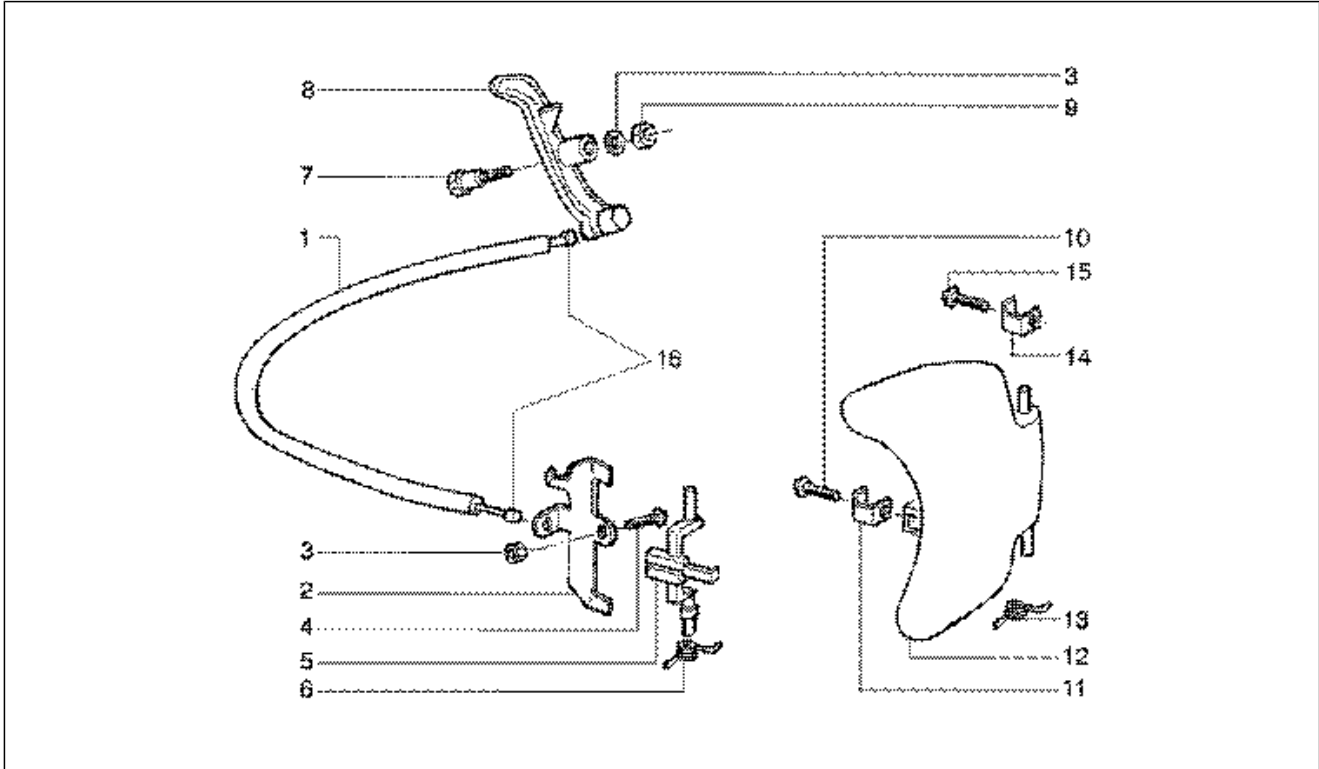
Group	Chassis
Code	T30
Description	Fairings
Service	1



Pos.	Code	Description	Qty	Variants
13	015911	Self tapping screw 4,2x16	2	
14	577831	Luggage rack	1	
14	6208840095	Luggage rack	1	
15	577833	Grid	1	
16	297498	Self tapping screw	2	
17	259988	Screw m6x55	4	
18	254485	Spring plate M6	4	
19	577893	plate	1	
19	577832	Plug	1	



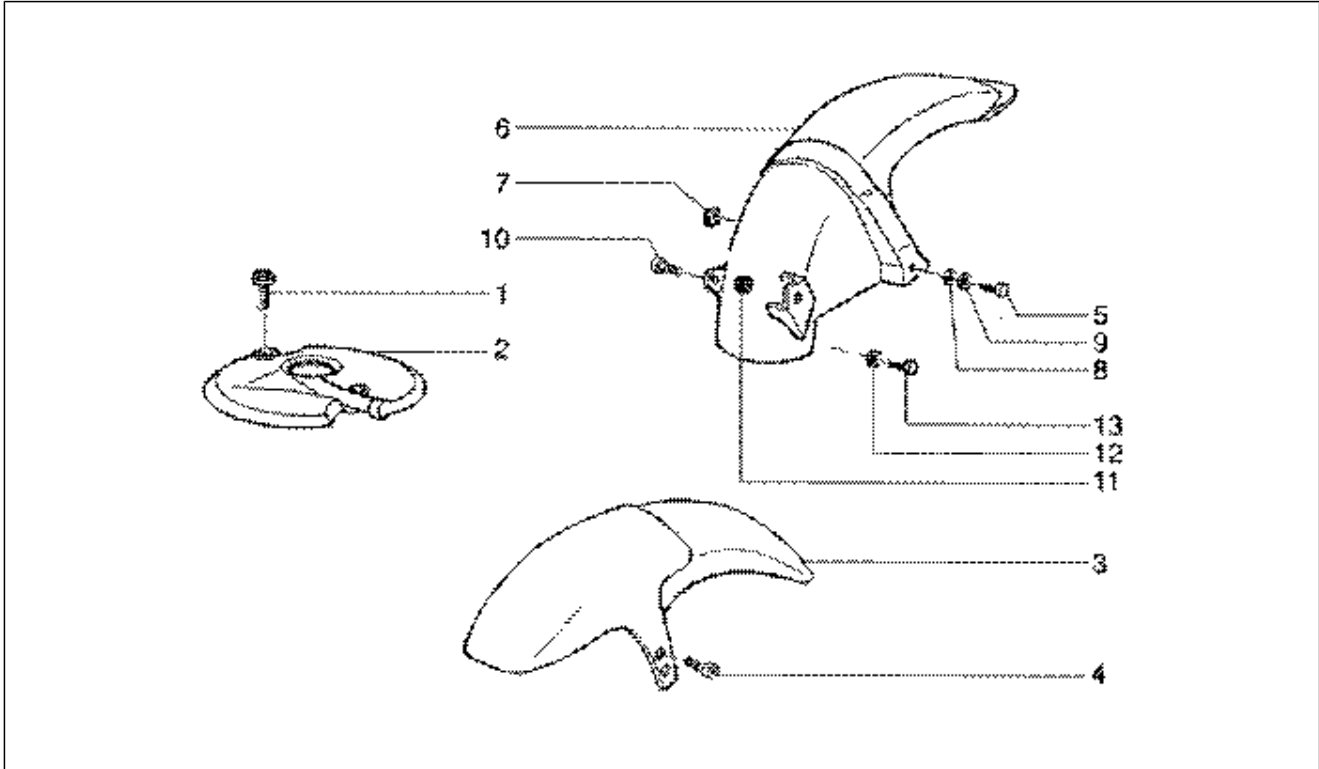
Group	Chassis
Code	T31
Description	Petrol cap
Service	1



Pos.	Code	Description	Qty	Variants
1	CM012801	Door opening transmission	1	
2	299903	Square	1	
3	003054	Washer 4,3x8x0,5	2	
4	015947	screw	1	
5	299687	Pawl	1	
6	573090	Spring	1	
7	299972	Special screw	1	
8	299902	Pawl	1	
9	577620	Self locking nut	1	
9	020104	Nut M4	1	
10	008432	screw M3,5x9,5	1	
11	299689	Square	1	
12	574263000P	Flap	1	
12	574263000D	Flap	1	
13	574267	Spring	1	
14	573716	Bracket	1	
15	008432	screw M3,5x9,5	2	
16	140333	Terminal	2	



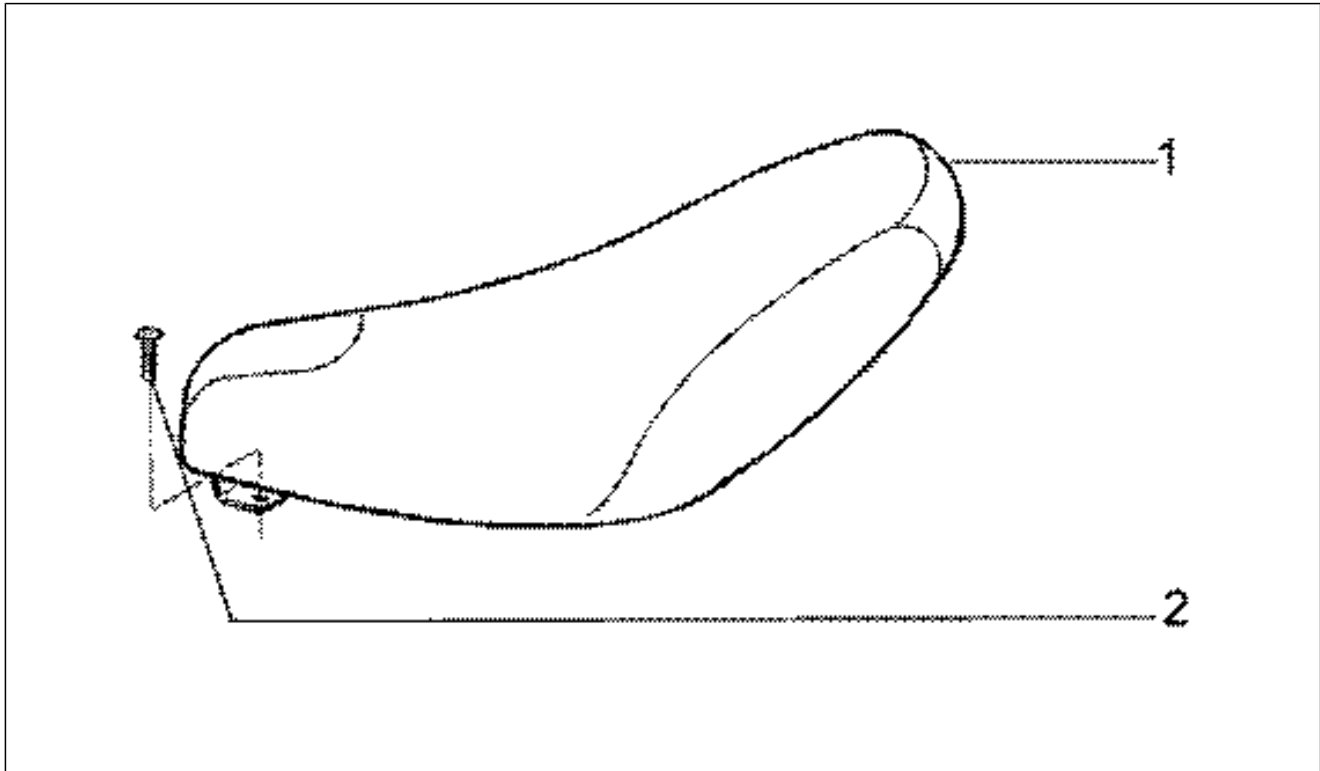
Group	Chassis
Code	T32
Description	Front and rear mudguard
Service	1



Pos.	Code	Description	Qty	Variants
1	031089	Hex screw M6x18	2	
1	259830	Metric screw M6x20	1	
2	597201	Mudguard	1	
3	5970225028	Mudguard	1	
3	5970225040	Mudguard	1	
3	59702250R6	Front mudguard	1	
3	5970225090	Front mudguard	1	
3	59702250E1	Front mudguard	1	
3	5970225095	Front mudguard	1	
3	5970225	Front mudguard	1	
3	5970225042	Mudguard	1	
3	59702200NC	Mudguard	1	
4	015558	Screw m16x16	4	
5	015804	screw	1	
6	576058	Rear mudguard	1	
7	254485	Spring plate M6	1	
8	003056	Flat washer 6,4x12x1	1	
9	012533	Notched washer 6,6x11x0	1	
10	259349	Screw M4,2x13	1	
11	184142	Spring plate	1	
12	013880	Flat washer 16x6,5x1,5	1	
13	575249	Metric screw TBC	1	



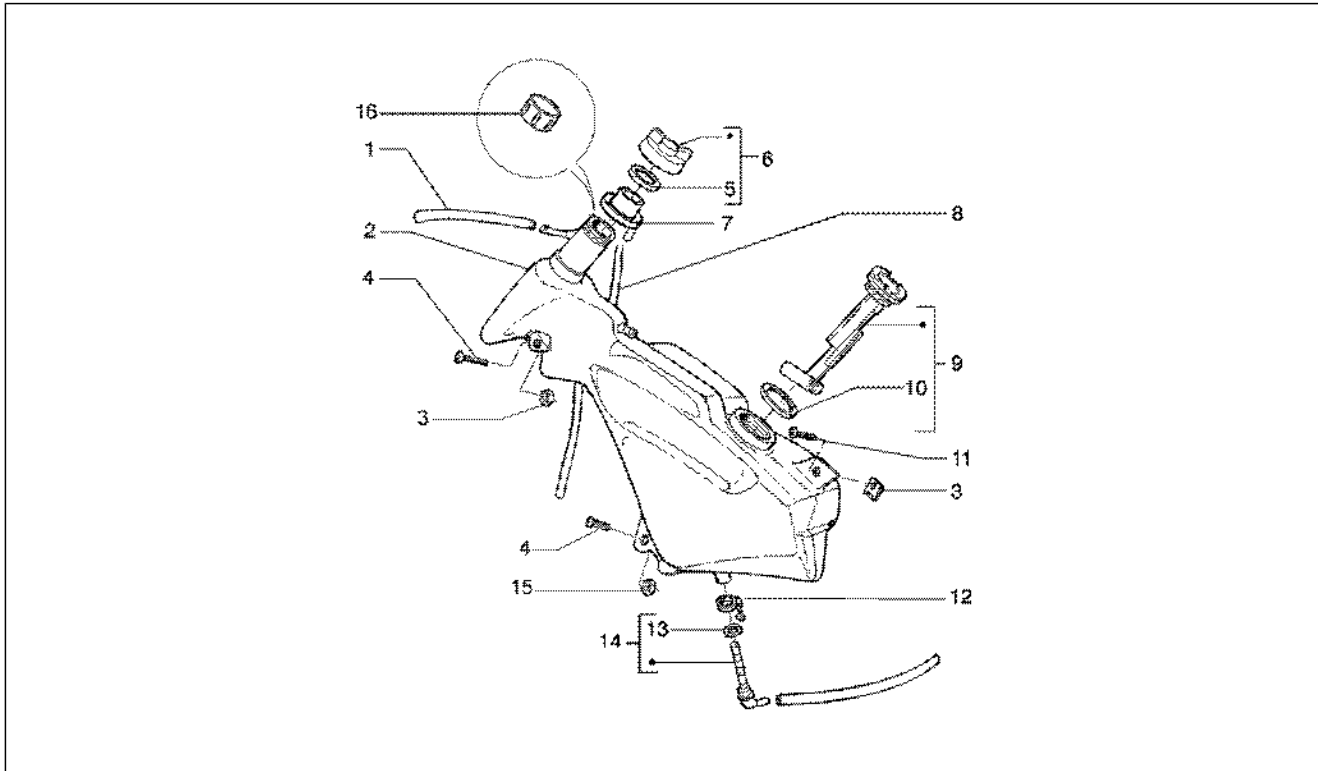
Group	Chassis
Code	T33
Description	Saddle
Service	1



Pos.	Code	Description	Qty	Variants
1	577886	Saddle	1	
1	CM005501	Saddle	1	
2	259830	Metric screw M6x20	2	



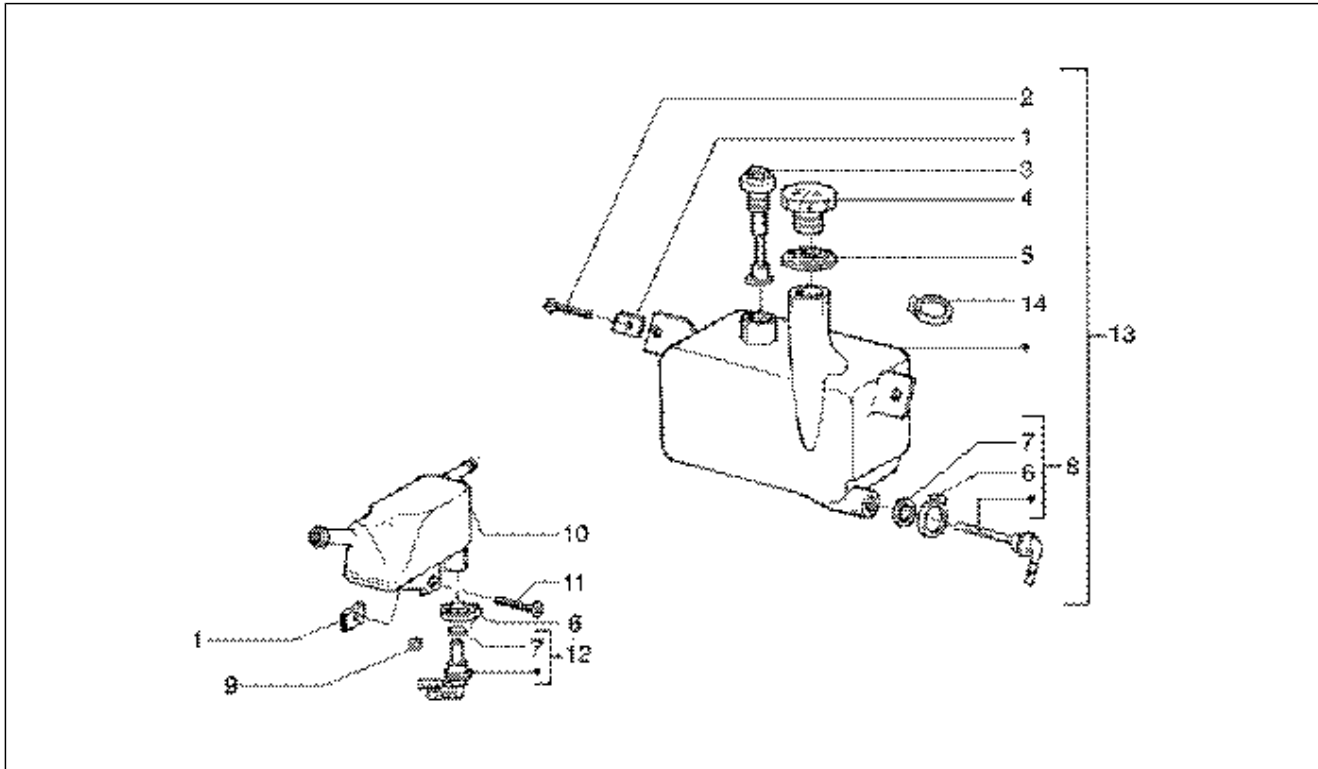
Group	Chassis
Code	T34
Description	Fuel tank
Service	1



Pos.	Code	Description	Qty	Variants
1	CM001215	pipe	1	
2	575226	Tank	1	
2	574636	Tank	1	
3	254485	Spring plate M6	2	
4	575249	Metric screw TBC	2	
5	258160	Tank cover gasket	1	
6	299913	Tank cap	1	
7	299920	Float chamber	1	
8	CM001307	Pipe	1	
9	580497	Level gauge	1	
9	575746	Level gauge	1	
10	258161	Gasket	1	
11	259830	Metric screw M6x20	1	
12	577557	Hose clamp	1	
13	196868	Gasket	1	
14	574629	Joint	1	
15	288245	Self locking nut M6	1	
16	575248	Insert	1	
17	297378	Ring	1	



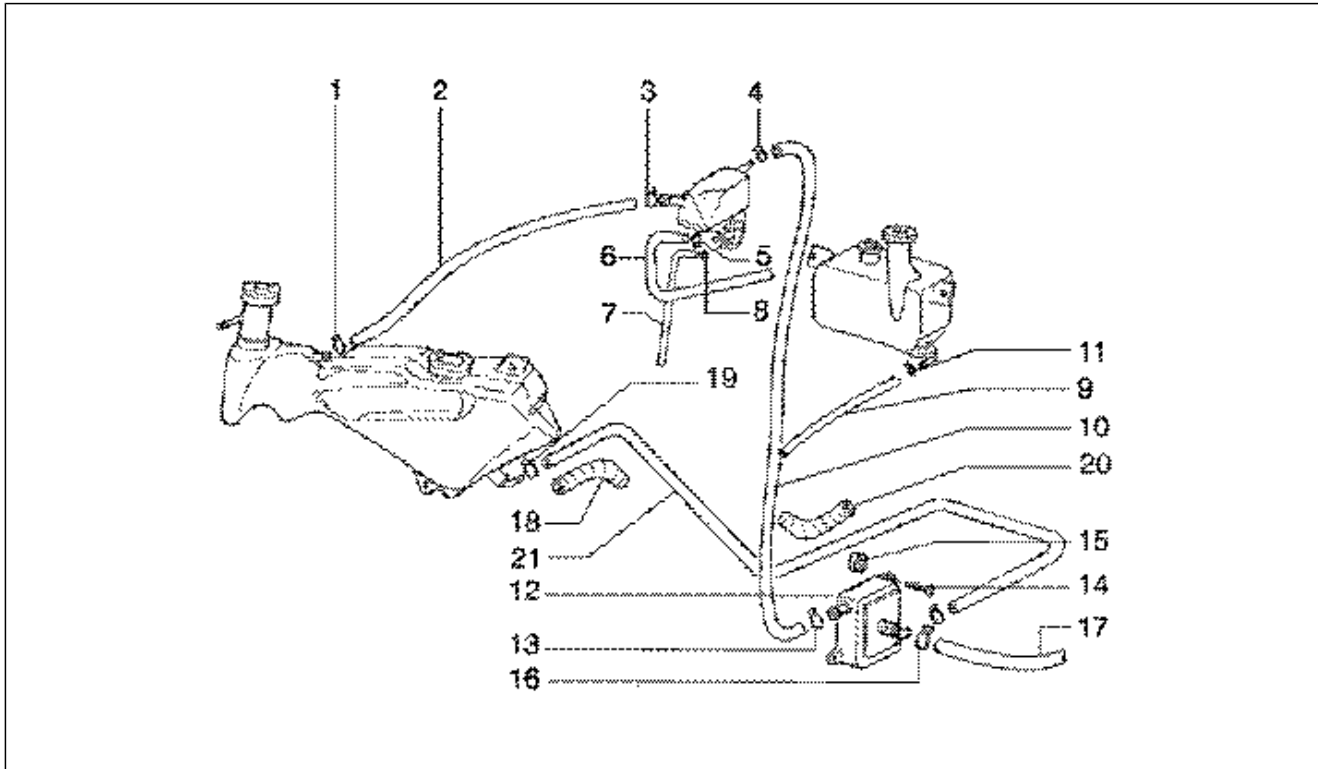
Group	Chassis
Code	T35
Description	Oil mix tank-degaser
Service	1



Pos.	Code	Description	Qty	Variants
1	254485	Spring plate M6	3	
2	575249	Metric screw TBC	2	
3	573458	Oil reserve indicator	1	
4	259829	Oil ins.pl.	1	
5	573085	Float chamber	1	
6	577557	Hose clamp	1	
7	196868	Gasket	2	
8	574362	Complete coupling	1	
9	258904	Lower rubber	1	
10	577871	Fuel degaser	1	
11	259830	Metric screw M6x20	1	
12	577881	Faucet depression press fastener	1	
13	574641	Oil tank	1	
14	CM002903	Hose clamp	1	



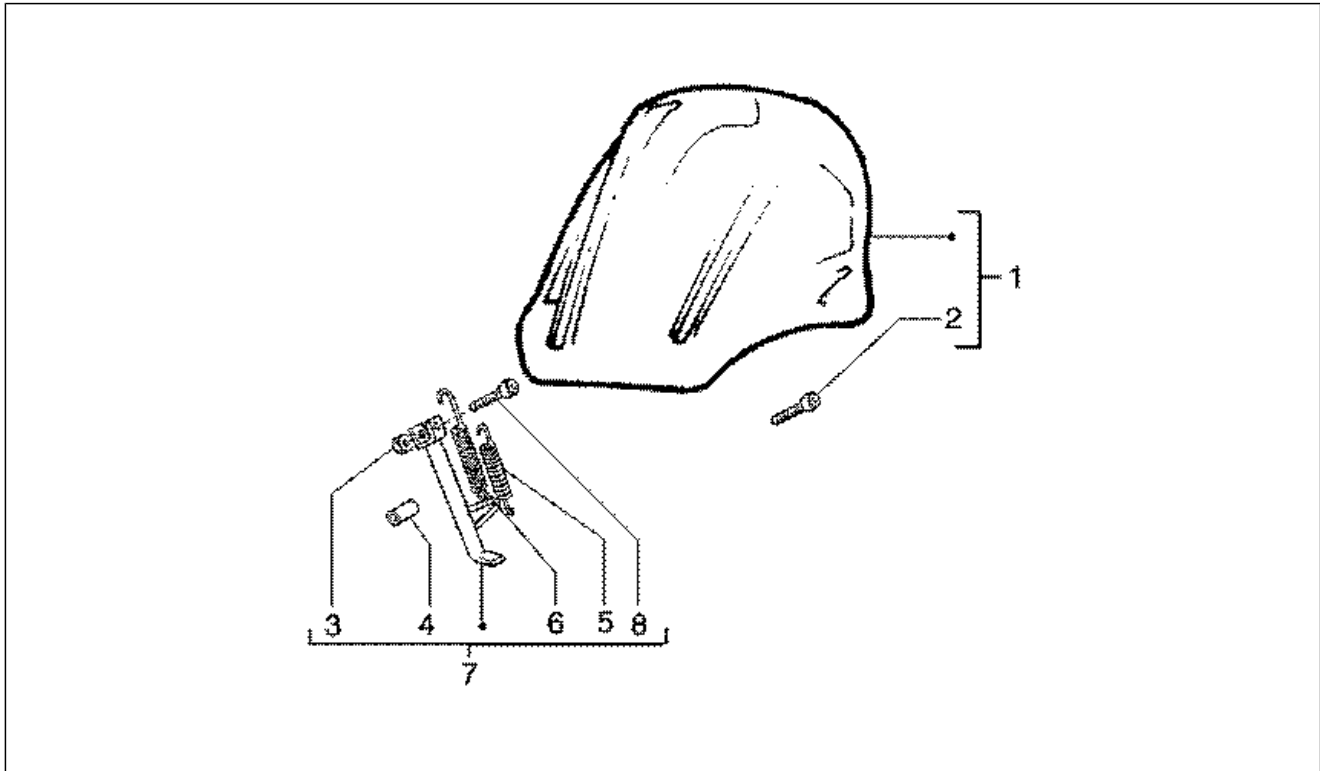
Group	Chassis
Code	T36
Description	Supply system
Service	1



Pos.	Code	Description	Qty	Variants
1	CM002912	Hose clamp	2	
2	CM003901	Fuel tube	1	
3	CM002912	Hose clamp	1	
4	271477	Hose clamp	1	
5	CM002901	Hose clamp	1	
6	CM004126	Fuel pipe	1	
7	CM001513	Breather pipe	1	
8	CM002904	Hose clamp	1	
9	483633	pipe	1	
10	CM004126	Fuel pipe	1	
11	CM002502	Fuel pipe	1	
12	82592R	Pump	1	
13	298372	Hose clamp	1	
14	259830	Metric screw M6x20	2	
15	258904	Lower rubber	1	
16	CM002904	Hose clamp	1	
17	CM001102	pipe	1	
18	574147	Sheath	1	
19	298372	Hose clamp	1	
20	574052	Sheath	1	
21	573798	Fuel tube	1	



Group	Chassis
Code	T56
Description	Windshield kit-stand kit
Service	1



Pos.	Code	Description	Qty	Variants
1	563662	Kit Windscreen	1	
1	620073	Kit Windscreen	1	
2	258146	Self-tap screw M3x20	2	
2	580146	screw	2	
3	020008	Nut M8	1	
4	582885	Stop buffer	1	
5	295789	Spring	1	
6	295788	Spring	1	
7	563649	Stand kit	1	
8	560619	Stand pin	1	